



OWNER/OPERATOR'S MANUAL & PARTS LIST

MOWER

MODEL HM600/HM720/HP720





Orrville, OH

www.ventrac.com

TO THE OWNER

*Congratulations on the purchase of a new VENTRAC **Mower!** The purpose of this manual is to assist you in its safe and effective operation and maintenance.*

*With proper usage and care, the **Mower** will provide many years of service. Please read and understand this manual entirely before using the **Mower**. Keep this manual on file for future reference.*

Always give Model and Serial # when ordering service parts.

Please fill in the following information for future reference:

Date of Purchase: Month _____ Day _____ Year _____

Model Number: _____

Serial Number: _____

Dealer: _____

Dealer Address: _____

Dealer Phone Number: _____

Dealer FAX Number: _____

Venture Products Inc. reserves the right to make changes in design or specifications without incurring obligation to make like changes on previously manufactured products.

TABLE OF CONTENTS

INTRODUCTION **Section A**

Description	A-1
Specifications	A-2

SAFETY **Section B**

Safety Symbols	B-1
Decals	B-2
General Safety Procedures	B-3
Safety Operation & Techniques	B-4

OPERATION **Section C**

Attaching	C-1
Detaching	C-1
Operating Techniques & Tips	C-1 & 2
Mulching Kit	C-3

MAINTENANCE **Section D**

Lubrication	D-1
Removal & Reinstallation of Blades	D-1 & 2
Deck Belt Replacement	D-2 & 3
(HM600 Ser# AA1001-AA1357) (HM720 Ser# AA1001-AA1188) (HP720 Ser# AA1001-AA1066)	
Deck Belt Replacement (HM600 Ser# AA1358--)(HM720 Ser# AA1189--)(HP720 Ser# AA1067--)	D-3 & 4
Drive Belt Replacement	D-4
Mower Tire Pressure	D-4
Deck Leveling Procedure	D-4 & 5
Storage	D-5
Sharpening Blades	D-5

TABLE OF CONTENTS

PARTS & ILLUSTRATED DRAWINGS

Section E

Figure 1 - Deck	E-12
(HM600 Ser# AA1001-AA1262) (HM720 Ser# AA1001-AA1134) (HP720 Ser# AA1001-AA1025)	
Figure 2 - Deck	E-3 & 4
(HM600 Ser# AA1263-AA1945) (HM720 Ser# AA1135-AA1612) (HP720 Ser# AA1026-AA1180)	
Figure 3 - Deck	E-5 & 6
(HM600 Ser# AB1946--) (HM720 Ser# AB1613--) (HP720 Ser# AB1181--)	
Figure 4 - Spindle Assembly.	E-7 & 8
(HM600 Ser# AB1946--) (HM720 Ser# AB1613--) (HP720 Ser# AB1181--)	
Figure 5 - Carrier Frame	E-9 & 10
(HM600 Ser# AA1001-AA1262) (HM720 Ser# AA1001-AA1134) (HP720 Ser# AA1001-AA1025)	
Figure 6 - Carrier Frame	E-11 & 12
(HM600 Ser# AA1263--) (HM720 Ser# AA1135--) (HP720 Ser# AA1026--)	
Figure 7 - Caster & Rear Roller.	E-13 & 14
Figure 8 - Hitch Assembly	E-15 & 16
(HM600 Ser# AA1001-AA1357) (HM720 Ser# AA1001-AA1188) (HP720 Ser# AA1001-AA1066)	
Figure 9 - Hitch Assembly	E-17 & 18
(HM600 Ser# AA1358--) (HM720 Ser# AA1189) (HP720 Ser# AA1067)	

WARRANTY

INTRODUCTION

Product Description

The VENTRAC HM600, HM720 and HP720 mowers have a cutting width of approx. 60" and 72" respectively. The "uni-body" design creates a lightweight, heavy-duty, and high performance deck plus a streamlined carrier frame. With the removal of two pins beneath the cross frame, the deck can be tilted to a near vertical position for cleaning and servicing. The top side of the deck is designed to eliminate trapped grass, dirt and water.

Four carrier points, two adjustable connecting links and one cross shaft comprise the complete mechanism for controlling the cutting height. A single handle with a slight outward pull allows an easy quick change in cutting height selection. A slide release allows the handle to be returned to the deck level to prevent it from catching on low branches and shrubs.

These mowers, with near full width rear rollers and large, pneumatic, front swivel caster tires, are designed to float over the terrain independent of the tractor. The traction transfer system on the VENTRAC 4000 series tractor reduces mower weight on the ground, decreases the steering effort, and increases the traction of the tractor.

These attractive two-tone, smooth styled mowers with a high performance discharge tunnel, offer an unusual combination of efficiency, effectiveness and end results. Careful, proper, and safe operation of tractor and mower will result in a great mowing job.

The model HP720 provides a 6-1/2" offset of the mower to the left side. The mower still has a centered appearance because of the right side discharge chute. The offset creates a better "reach" on the left side of the deck for mowing under low tree branches, fences, or over the edge of ditches and water.

INTRODUCTION

Ventrac HM600 Specifications

Cutting Width	Approx. 60 inches
Overall Width	70 inches
Length	52 inches
Height	16 inches
Approx. cutting height	1-3/4 to 4-3/4 inches
Weight	366 pounds

Ventrac HM720 Specifications

Cutting Width	Approx. 72 inches
Overall Width	82 inches
Length	58 inches
Height	16 inches
Approx. cutting height	1-3/4 to 4-3/4 inches
Weight	435 pounds

Ventrac HP720 Specifications

Cutting Width	Approx. 72 inches
Overall Width	82 inches
Length	58 inches
Height	16 inches
Approx. cutting height	1-3/4 to 4-3/4 inches
Weight	435 pounds
Offset to the left	6-1/2 inches

SAFETY



ATTENTION:

This symbol identifies potential health and safety hazards. It marks safety precautions. Your safety and the safety of others is involved.

SIGNAL WORD DEFINITIONS

DANGER

Indicates an imminently hazardous situation which, if not avoided, will result in death or serious injury. This signal word is limited to the most extreme cases.

WARNING

Indicates a potentially hazardous situation which, if not avoided, could result in death or serious injury.

CAUTION

Indicates a potentially hazardous situation which, if not avoided, may result in minor or moderate injury and/or property damage. It may also be used to alert against unsafe practices.

SAFETY

Decals

The following decals must be maintained on your Ventrac mower. If any decals are faded or missing, contact your dealer promptly for replacements.



A



B



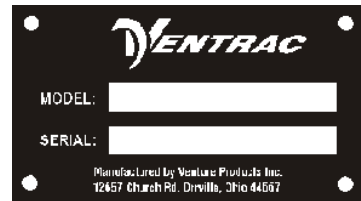
C



D



E



F

Decal	Page & Location	Description	Part Number
A	E-2,#37	Danger Shield Missing	00.0062
B	E-8,#15	Warning Moving Part Hazard	00.0101
C	E-8, #3	Danger Pinching Hazard	00.0102
D	E-2, #14	Thrown Object Hazard	00.0122
E	E-2, #13	Keep Hands and Feet Away	00.0123
F	E-2, #39	Ventrac Serial No. Plate	N/A

SAFETY



General Safety Procedures for Ventrac Tractors, Attachments, & Accessories



Read and understand the operator's manual before operating this equipment.

Observe and follow all safety decals.

DO NOT let children or any untrained person operate the tractor or attachment. Make sure that all operators of this equipment are thoroughly trained in using it safely.

Never allow additional riders on the tractor or attachments.

DO NOT operate tractor or attachments if you are under the influence of alcohol, drugs, medication that may impair judgment or cause drowsiness, or if you are not feeling well.

Operate all controls from the operators seat only.

Before operating equipment, make sure all shields are in place and fastened.

Ensure the attachment or accessory is locked or fastened securely to the tractor (power unit) before operating. See tractor manual for locking procedure.

Ensure that all bystanders are clear of the tractor and attachment before operating. Be especially careful and observant if other people are present. Never assume that bystanders will remain where you last saw them.

Always look in the direction the tractor is moving.

Never direct the discharge of any attachment in the direction of people, animals, buildings, vehicles, or objects of value.

Immediately stop at any sign of equipment failure and correct the problem before continuing to operate. An unusual noise can be a warning of equipment failure.

Before adjusting, cleaning, lubricating, or changing parts on the tractor or attachment, engage the parking brake, lower the attachment to the ground, stop the engine, and remove the ignition key.

To prevent the risk of uncontrolled equipment movement on tractors equipped with 2 speed axles, always shift the transaxle range with the power unit stationary on level ground and with the parking brake engaged.

If equipment is to be left unattended, engage the parking brake, lower the attachment to the ground, stop the engine, and remove the ignition key.

SAFETY

HM600, HM720, and HP720 Safety Procedures

WARNING

Before making any repairs or adjustments, lower attachment to the ground, set parking brake, shut the engine off, and remove the key.

WARNING

Read and understand the operator's manual before operating this equipment.

Before mowing, clear the area of stones, sticks, and other foreign objects that can be thrown by the mower.

Use extra care when mowing around trees, shrubs, and other objects that may block your vision.

Never mow with the discharge chute flipped up or missing! The hinge feature is provided only for transport and storage.

Disengage the PTO when you are not mowing.

When mowing on a steep incline, always mow uphill and downhill. Never mow across a steep incline.

OPERATION

Operating Instructions

Attaching:

1. Drive the tractor slowly forward into the hitch arms of the mower. Align the lift arms with the mower hitch arms by raising or lowering the front hitch and complete the engagement. **Note:** Mower arms may be too low to engage tractor hitch arms when mower cutting height is set in a low position. Set cutting height to the highest position.
2. Once completely engaged, close the front hitch locking lever.*
3. Engage the parking brake and shut off engine.
4. Place attachment belt over the outside groove of the PTO drive pulley on the tractor. Ensure the belt is properly seated in each pulley.
5. Engage the PTO spring tension lever.*
6. Engage the weight transfer system as desired.*

Note: It is recommended for most mowing operations that the weight transfer system be fully engaged when using the mower deck. Adjust as required.

Detaching:

1. Park the tractor on a level surface and set the parking brake.
2. Lower the mower to the ground.
3. Shut off tractor engine.
4. Disengage the PTO spring tension lever.*
5. Remove the attachment belt from the PTO drive pulley on the tractor.
6. Disengage the hitch locking lever.*
7. Restart the tractor and slowly back away from the mower.

*Refer to tractor manual for operation of controls.

Operating Techniques and Tips:

Be sure to select or confirm that the mower is set to cut the height that you prefer. Setting is done by lifting the handle into the catch slot, pulling the handle outward and moving the mechanism to another position on the adjustment scale. Cutting height range is approximately 1-3/4 to 4-3/4 inches. After selection has been engaged, release the handle from the catch slot and return it to a horizontal position. Never adjust cutting height with PTO engaged.

Operator must be sitting on the tractor seat before the PTO can be engaged. The tractor engine should be running between 2,000 and 3,000 RPM before engaging the PTO switch. Near full engine RPM (3,600) is recommended for most mowing. If a good cut can be maintained and there is sufficient power, reducing the engine speed by 200 or 300 RPM will result in improved fuel economy and reduction in the wear-and-tear on the equipment.

OPERATION

Operating Techniques and Tips (cont.)

Travel to and from the area to be mowed should generally be done with the mower raised in transport position by the tractor hydraulics. This saves the wear-and-tear on the mower and needless scuffing and rolling over the various surfaces between mowing jobs. Moderate speed should be used in transport in order to maintain control and reduce the shock load from uneven terrain. Disengage the PTO to prevent air turbulence over dusty surfaces and/or when traveling over rough terrain.

When mowing, always place the front hitch S.D.L.A. lever in the FLOAT position by moving it outward to the second position until the detent engages. The lever will stay in this position after engagement.

Wet or lush grass has some tendency to build up under the deck. Periodic checking, especially if mowing performance seems to be reduced, will let the operator know if the deck should be cleaned.

Many operators prefer to mow back and forth in order to create the popular stripe pattern in the cut grass. The full length roller very effectively rolls the cut grass in the direction of travel.

Blades should be kept in good condition. Sharp blades will increase efficiency and improve the quality of cut.

When mowing grass on level to gently rolling terrain, the tractor can be operated in HIGH range in most conditions. If the grass is tall or mowing conditions are difficult, use LOW range. When mowing slopes, always use LOW range with the engine at full throttle.

WARNING

Be very cautious when mowing slopes. It is recommended that weight transfer be engaged and that the front hitch is set in FLOAT position.

OPERATION

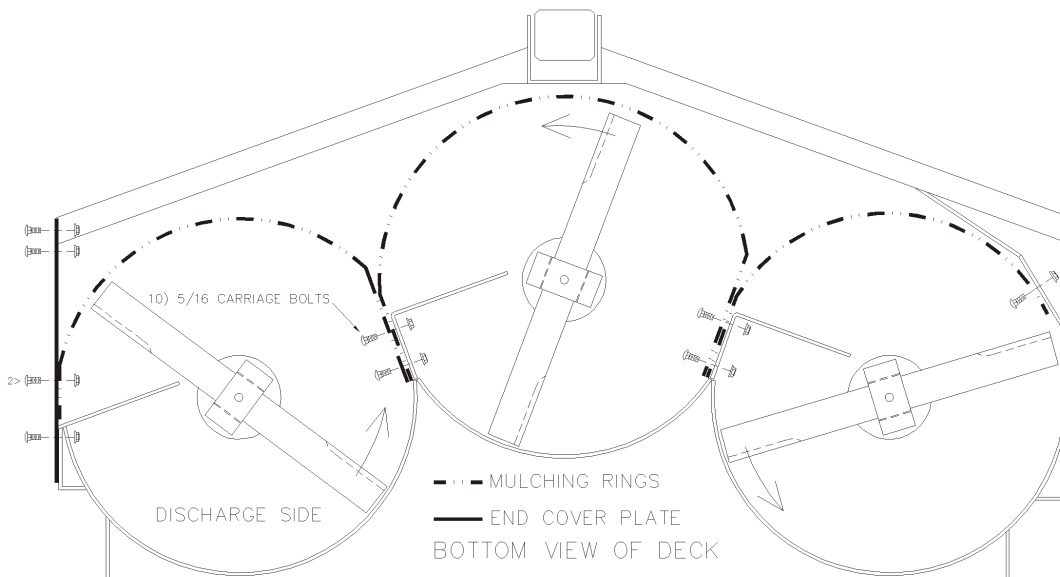
Mulching Kit

The mulching kit consists of 3 baffles, a discharge cover and 10 carriage bolts and nuts. Kits are HM600—[39.55150](#) and HM720—[39.55151](#). To install the mulching kit, simply turn the deck upside down or if mounted on the tractor (with park brake engaged and ignition key removed), tilt the deck to the servicing position and install the kit according to the drawing below.

- NOTE:**
- 1-The longest baffle goes in the center.
 - 2-The deepest baffle goes to the left (discharge) side.
 - 3-The saw-toothed edges will be facing the ground in mowing position when installed.
 - 4-Check for blade clearance. The saw-tooth edges should extend beyond the end of the blade at least 1/4 inch. Slight reshaping of baffles may be necessary for proper fit.

If the deck has been used, make sure it is clean before installation of parts. Blades do not have to be removed for the installation but it is important that the blades are sharp and in good condition. Low lift or mulch blades are recommended for mulching. Install all parts before tightening the bolts. Once all parts are in place, tighten all ten bolts (Torque to 14-16 ft/lbs.) A 1/2" box end wrench or socket drive is recommended in order to tighten the bolts securely.

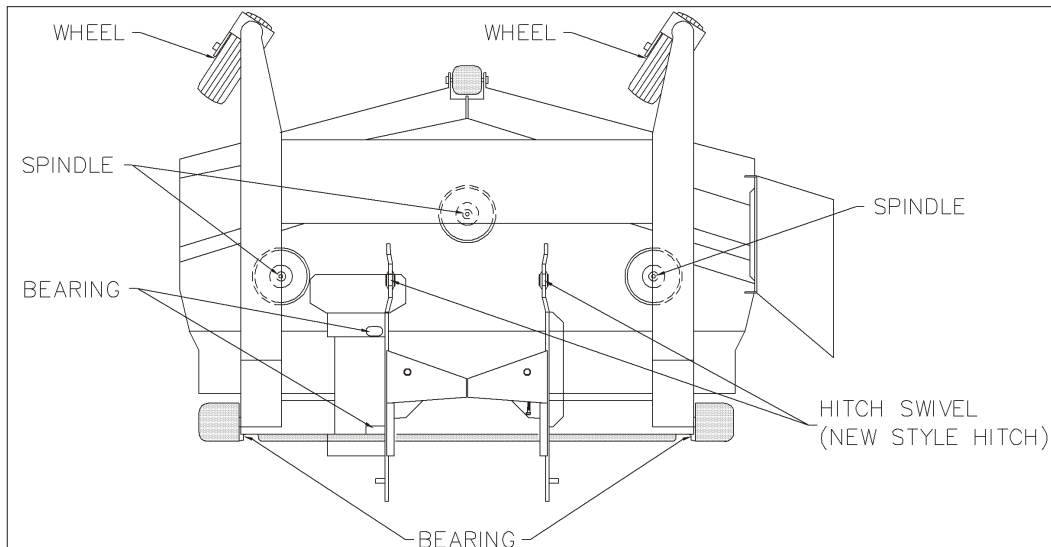
Mulching procedures may vary greatly due to climate, type of grass and soil conditions. Some trial and error may prove helpful in getting the best results. In general it is best to mow frequently and in dry conditions. Leaves are usually cut up and dispersed better when some grass is cut in the mulching process. Generally a little more power is required for mulching. When grass is tender, heavy, and/or wet, frequent deck cleaning may be necessary. After mowing for a few minutes, turn the engine off, raise the deck, and make a quick check on all ten bolts to assure that they are tight!



MAINTENANCE

Lubrication

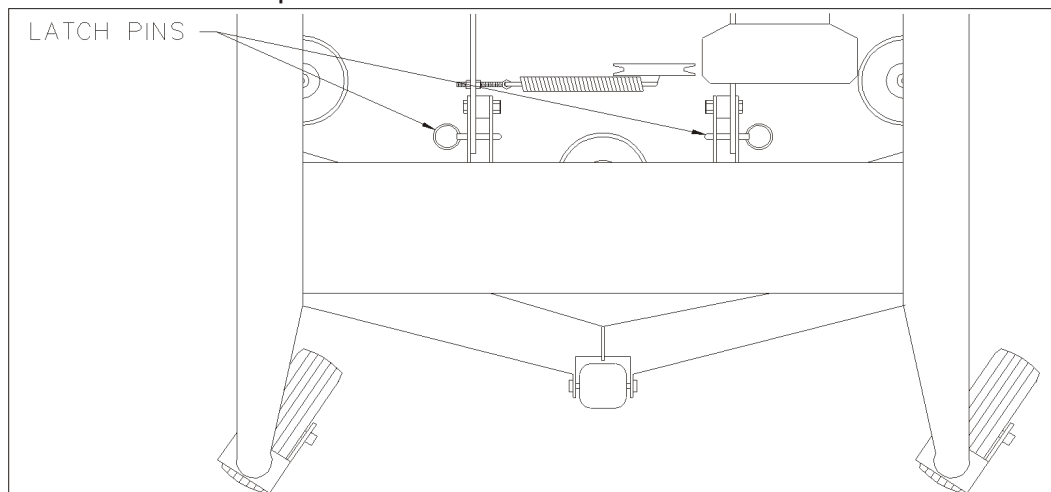
Grease zerks are located as shown below. Apply 2-3 pumps of grease per spindle approximately every 50 hours of operation. All other bearings—one pump max! Do not overgrease. In very dirty, sandy, or wet conditions, more frequent greasing may be advisable.



Removal and Reinstallation of Mower Blades for Sharpening or Replacement:

Caution: Blades may be sharp, wear heavy gloves when working with blades.

1. Park tractor on a smooth, level surface.
2. Raise deck to the highest position.
3. Set parking brake, shut the engine off, and remove the key.
4. Remove the 2 latch pins, lift the front of the mower deck to a near vertical position and reinstall the latch pins into the same holes.



MAINTENANCE

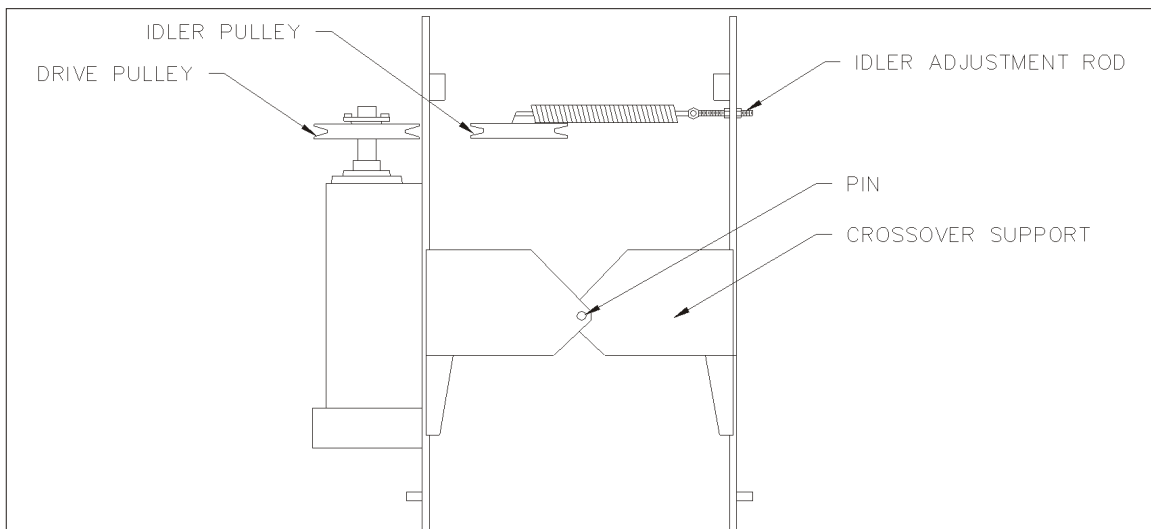
5. To remove each blade, place a short piece of 2 x 4 wood between the end of the blade and an appropriate structural part of the underside of the deck to prevent rotation.
6. Loosen the blade bolt counterclockwise and remove the blade for sharpening or replacement.
7. When reinstalling a blade, the wood block must be placed on the opposite side to prevent rotation for tightening. Tighten so that blade is firmly held in place. (75-80 ft/lbs) Additional tightening may occur while mowing. This is due to blade rotation.
8. Always install the spindle guard between the bolt head and the bottom of the blade. This serves as a support washer as well as reducing the potential for bearing damage from wrapping string or wire.

Deck Belt Replacement:

(HM600 Serial# AA1001-1357) (HM720 Serial# AA1001-1188) (HP720 Serial# AA1001-1066)

If the deck belt is excessively worn or cracked, install a new belt. This is done most easily with the deck removed from the tractor.

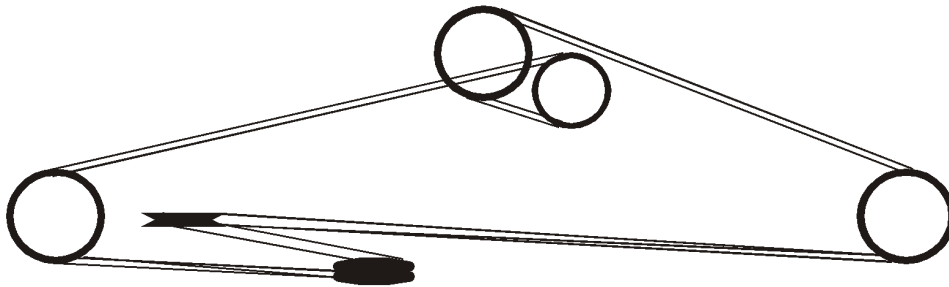
1. Remove the rear lid of the deck.
This is done by raising the lid and sliding it to the right to release hinge pin on the left side.
2. Remove cotter pin from cross-over support in the center of the hitch.
3. Release the belt tension by loosening the idler adjustment rod. (Refer to illustration below.)



MAINTENANCE

Deck Belt Replacement (cont.):

4. Remove old belt. Note that one belt loop must surround the left hitch arm. This is the reason for removing the cotter pin in the crossover support.
5. Install the new B158 belt (Part # 81.B158 for 60") or B180 belt, (Part #81.B180 for 72" deck) as shown in the diagram below. Begin by placing one belt loop around the left hitch arm. Place belt into the idler pulley and then the drive pulley. Take the belt to the right spindle pulley rotating it 1/4 turn counterclockwise.
6. Once around the pulley, follow the diagram to the other pulleys. **Note:** the "V" shape of the belt should fit nicely into each pulley.

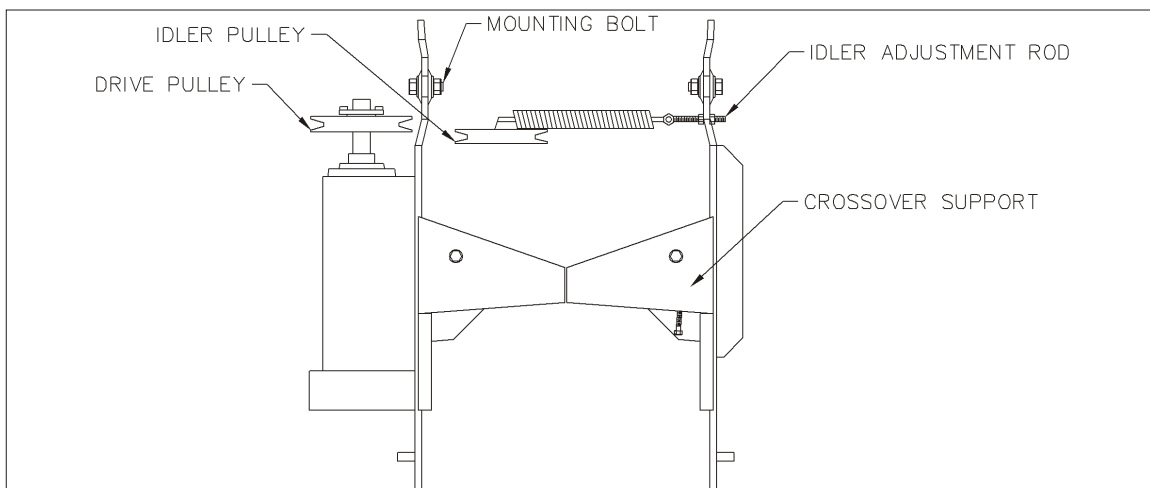


7. Tension the belt by tightening the idler adjustment rod. Spring coils should be separated enough to slip a paper clip (approximately 1/32") between them. Reinstall cotter pin in crossover support.

Deck Belt Replacement:

(HM600 Serial# AA1358-) (HM720 Serial# AA1189-) (HP720 Serial# AA1067-)

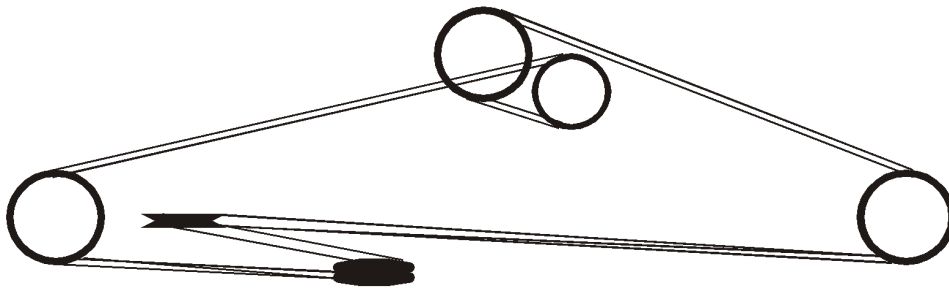
1. Remove the rear lid of the deck.
This is done by raising the lid and sliding it to the right to release hinge pin on the left side.
2. Release the belt tension by loosening the idler adjustment rod. (Refer to illustration below.)



MAINTENANCE

Deck Belt Replacement (cont.):

3. Remove the left hitch arm mounting bolt and lift the hitch arm up from the mounting brackets on the deck.
4. Remove old belt. Note that one belt loop must surround the left hitch arm. This is the reason for removing the left hitch arm mounting bolt.
5. Install the new B158 belt (Part # 81.B158 for 60") or B180 belt, (Part #81.B180 for 72" deck) as shown in the diagram below. Begin by placing one belt loop around the left hitch arm. Place belt into the idler pulley and then the drive pulley. Take the belt to the right spindle pulley rotating it 1/4 turn counterclockwise.
6. Once around the pulley, follow the diagram to the other pulleys. **Note:** the "V" shape of the belt should fit nicely into each pulley.



7. Reinstall the left hitch arm.
8. Tension the belt by tightening the idler adjustment rod. Spring coils should be separated enough to slip a paper clip (approximately 1/32") between them.

PTO Drive Belt Replacement:

Remove mower from tractor. Remove pulley cover and place new belt B45 (Part #81.B045) over pulley and left hitch arm. Reinstall cover.

Mower Tire Pressure:

Mower tire inflation pressure should be maintained at 8-10 psi. Pressure variables are one cause for an uneven cut.

Deck Leveling Procedure:

(Check for bent blades before making adjustments)

1. Before making any deck leveling adjustments, check pressure in both mower tires. Inflate or deflate to 8-10 psi.
2. Set mower on a level hard surface. Select a high cutting height position with enough distance from floor surface to bottom side of blade for measuring.

MAINTENANCE

Deck Leveling Procedure (cont.):

3. Go to one side of the deck. Turn blade so that the tip is at the back of the deck. Measure the distance from the floor to the blade.
4. Move to the other side. Turn that blade tip to the back of the deck. If this measurement is different from the first, adjust the threaded rod linkage directly above on the top side of the deck until the measurement is the same as the first side.
5. Once the deck has been leveled side to side, rotate the same tip of the blade to the front and measure. The distance to the floor should be the same or slightly less than (not to exceed 1/8") the rear measurement. Front adjustment is made by loosening the cross bolts in the frame that extends toward each front tire. The bolts are in slotted holes. Moving them forward lowers the deck. Moving them toward the rear raises the deck.

Note: Slight movement of the bolt in the front carrier slots will make a significant difference in the front deck height.

Seasonal Storage:

Before the mower is stored, thoroughly clean both the underside of the deck and any accumulated clippings or debris on the top side.

Sharpening Blades:

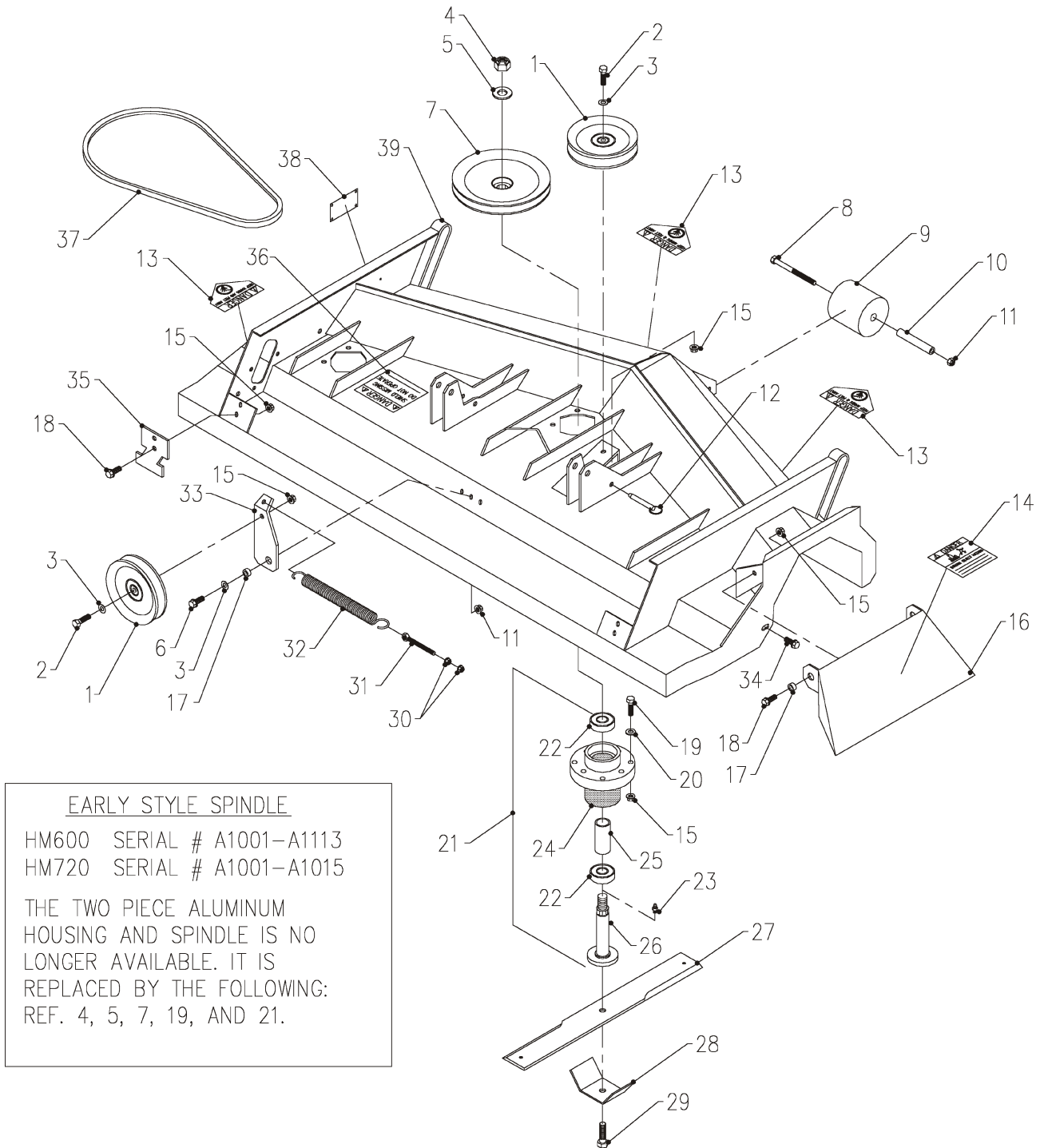
It is recommended that blades be sharpened and balanced by a professional. Maintain balance, same bevel, and length of sharpened surface.

PARTS MANUAL

PARTS

FIGURE 1 ILLUSTRATED DRAWING DECK PARTS

(HM600 SER# AA1001-AA1262) (HM720 SER# AA1001-AA1134) (HP720 SER# AA1001-AA1025)



PARTS

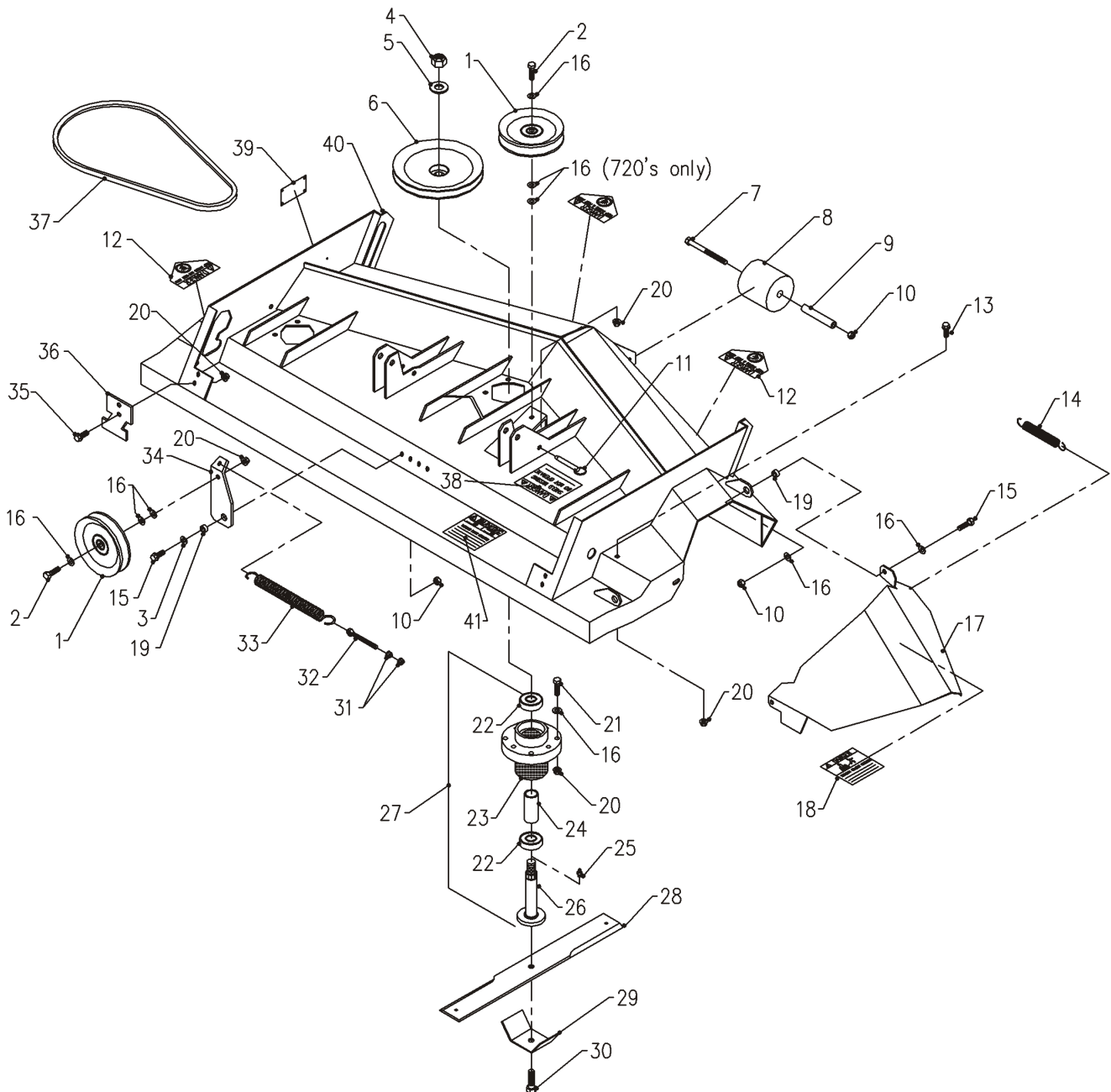
FIGURE 1 DECK PARTS

REF.	HM600 PART NO.	HM720/HP720 PART NO.	DESCRIPTION	QTY.
1	83.0031	83.0031	Idler Pulley	2
2	90.0614	90.0614	3/8-16 x 1-3/4 Bolt	2
3	94.06	94.06	3/8 USS Flat Washer	3
4	99.A12NF	99.A12NF	3/4 SAE Locknut	3
5	95.12	95.12	3/4 SAE Flat Washer	3
6	90.0608	90.0608	3/8-16 x 1 Bolt	1
7	83.0034	83.0036	Spindle Pulley	3
8	90.0636	90.0636	3/8-16 x 4-1/2 Bolt	1
9	50.0047	50.0047	Front Roller	1
10	50.0046	50.0046	Front Roller Spindle	1
11	99.A06	99.A06	3/8-16 Locknut	2
12	03.0002	03.0002	Latch Pin	2
13	00.0123	00.0123	Keep Hands & Feet Away Decal	3
14	00.0122	00.0122	Thrown Object Hazard Decal	1
15	99.SF06	99.SF06	3/8 USS Flange Nut	21
16	60.0605	60.0664	Side Discharge Chute	1
17	64.0602	64.0602	3/8 x 5/8 x 5/16 Bushing	3
18	99.SF0608	99.SF0608	3/8-16 x 1 Flange Bolt	6
19	90.0610	90.0610	3/8-16 x 1-1/4 Bolt	12
20	95.06	95.06	3/8 SAE Washer	12
21	87.0176	87.0176	Spindle Assembly	3
22	55.0035	55.0035	Ball Bearing	6
23	29.GF0001	29.GF0001	1/4-28 Grease Fitting	3
24	87.0178	87.0178	Housing	3
25	87.0179	87.0179	Spacer	3
26	87.0181	87.0181	Spindle Shaft	3
27	79.0036	79.0038	Low Lift Blade	3
.	79.0035	79.0037	High Lift Blade	3
.	79.0046	Gator Blade	3
28	64.0688	64.0688	Spindle Guard	3
29	91.0810	91.0810	1/2-20 x 1-1/4 Bolt	3
30	99.SF05	99.SF05	5/16-18 Flange Nut	2
31	42.0385	42.0385	Idler Adjustment Rod	1
32	41.0048	41.0048	6" Spring	1
33	40.0238	40.0238	Idler Arm	1
34	99.SF0606	99.SF0606	3/8-16 X 3/4 Flange Bolt	1
35	64.0669	64.0669	Deck Carrier Slide	2
36	00.0062	00.0062	Shield Missing Decal	1
37	81.B158	81.B180	Belt	1
38	not available	not available	Serial Number Plate	1
39	62.0757	62.0763	Deck	1
39	62.0859	Offset Deck, HP720	1

PARTS

FIGURE 2 ILLUSTRATED DRAWING DECK PARTS

(HM600 SER# AA1263-AA1945) (HM720 SER# AA1135-AA1612) (HP720 SER# AA1026-AA1180)



PARTS

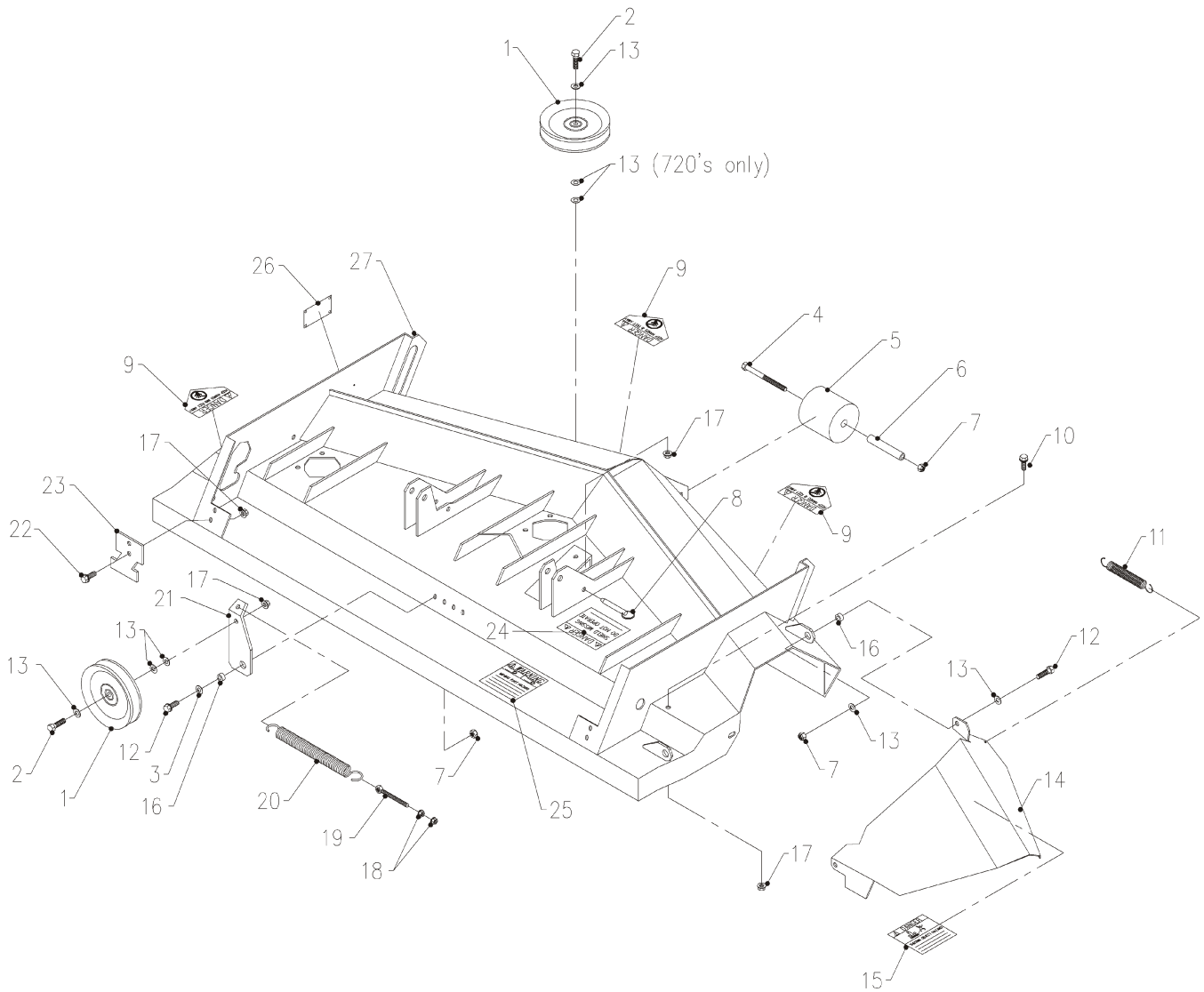
FIGURE 2 - DECK PARTS

REF.	HM600 PART NO.	HM720/HP720 PART NO.	DESCRIPTION	QTY.
1	83.0031	83.0031	Idler Pulley	2
2	90.0614	90.0614	3/8-16 x 1-3/4 Bolt	2
3	94.06	94.06	3/8 USS Flat Washer	1
4	99.A12NF	99.A12NF	3/4 SAE Locknut	3
5	95.12	95.12	3/4 SAE Flatwasher	3
6	70.8040	70.8041	Spindle Pulley Kit	3
7	90.0636	90.0636	3/8-16 x 4-1/2 Bolt	1
8	50.0047	50.0047	Front Roller	1
9	50.0046	50.0046	Front Roller Spindle	1
10	99.A06	99.A06	3/8-16 Locknut	2
11	03.0002	03.0002	Latch Pin 3/8 x 2"	2
12	00.0123	00.0123	Keep Hands & Feet Away Decal	3
13	90.0606	90.0606	3/8-16 x 3/4 Bolt	1
14	41.0020	41.0020	Spring	1
15	90.0608	90.0608	3/8-16 x 1 Bolt	2
16	95.06	95.06	3/8 SAE Washer (As required)	20
17	62.0889	62.0891	Side Discharge Chute	1
18	00.0122	00.0122	Decal - Thrown Object Hazard	1
19	64.0602	64.0602	3/8 x 5/8 x 5/16 Bushing	3
20	99.SF06	99.SF06	3/8-16 Flange Nut	19
21	90.0610	90.0610	3/8-16 x 1-1/4 Bolt	12
22	55.0035	55.0035	Ball Bearing	6
23	87.0178	87.0178	Housing	3
24	87.0179	87.0179	Spacer	3
25	29.GF0001	29.GF0001	1/4-28 Grease Fitting	3
26	70.8039	70.8039	Spindle Shaft Kit	3
27	70.8037	70.8037	Spindle Assembly Kit	3
28	79.0036	79.0038	Low Lift Blade	3
.	79.0035	79.0037	High Lift Blade	3
.	79.0046		Gator Blade	3
29	64.0688	64.0688	Spindle Guard	3
30	91.0810	91.0810	1/2-20 x 1-1/4 Bolt	3
31	99.SF05	99.SF05	5/16-18 Flange Nut	2
32	42.0385	42.0385	Idler Adjustment Rod	1
33	41.0048	41.0048	Spring	1
34	40.0238	40.0238	Idler Arm	1
35	99.SF0606	99.SF0606	3/8-16 x 3/4 Flange Bolt	4
36	64.0669	64.0669	Deck Carrier Slide	2
37	81.B158	81.B180	Belt	1
38	00.0062	00.0062	Decal - Shield Missing	1
39	not available	not available	Serial Number Plate	1
40	62.0888	62.0890	Deck	1
40		62.0900	Offset Deck, HP720	1
41	00.0102	00.0102	Pinch Hazard Decal	1

PARTS

FIGURE 3 ILLUSTRATED DRAWING DECK PARTS

(HM600 SER# AB1946--)(HM720 SER# AB1613--)(HP720 SER# AB1181--)



PARTS

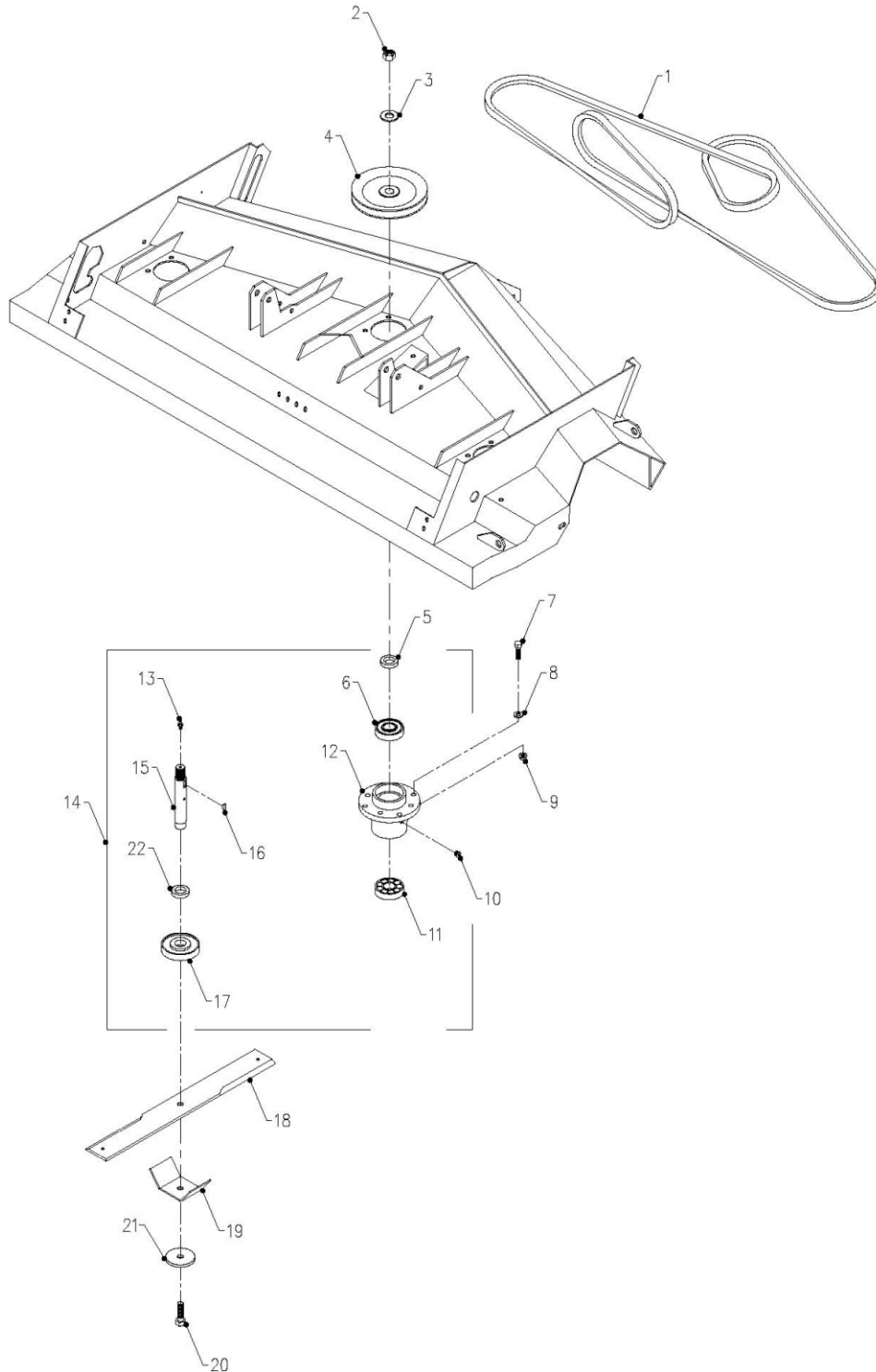
FIGURE 3 DECK PARTS

REF.	HM600 PART NO.	HM720/HP720 PART NO.	DESCRIPTION	QTY.
1	83.0031	83.0031	Idler Pulley	2
2	90.0614	90.0614	3/8-16 x 1-3/4 Bolt	2
3	94.06	94.06	3/8 USS Flat Washer	1
4	90.0636	90.0636	3/8-16 x 4-1/2 Bolt	1
5	50.0047	50.0047	Front Roller	1
6	50.0046	50.0046	Front Roller Spindle	1
7	99.A06	99.A06	3/8-16 Lock Nut	3
8	03.0002	03.0002	Latch Pin, 3/8 x 2"	2
9	00.0123	00.0123	Decal, Keep Hands & Feet Away	3
10	90.0606	90.0606	3/8-16 x 3/4 Bolt	1
11	41.0020	41.0020	Spring	1
12	90.0608	90.0608	3/8-16 x 1 Bolt	2
13	95.06	95.06	3/8 SAE Flat Washer (as required)	8
14	62.0889	62.0891	Side Discharge Chute	1
15	00.0122	00.0122	Decal, Thrown Object Hazard	1
16	64.0602	64.0602	3/8 x 5/8 x 5/16 Bushing	3
17	99.SF06	99.SF06	3/8-16 Flange Nut	9
18	99.SF05	99.SF05	5/16-18 Flange Nut	2
19	42.0385	42.0385	Idler Adjustment Rod	1
20	41.0048	41.0048	Spring	1
21	40.0238	40.0238	Idler Arm	1
22	99.SF0606	99.SF0606	3/8-16 x 3/4 Flange Bolt	4
23	64.0669	64.0669	Deck Carrier Slide	2
24	00.0062	00.0062	Decal, Shield Missing	1
25	00.0102	00.0102	Decal, Danger - Pinching Hazard	1
26	not available	not available	Decal, Serial Number Plate	1
27	62.0888	62.0890	Deck, HM	1
		62.0900	Offset Deck, HP720	1

PARTS

FIGURE 4 ILLUSTRATED DRAWING SPINDLE ASSEMBLY

(HM600 SER# AB1946--)(HM720 SER# AB1613--)(HP720 SER# AB1181--)



PARTS

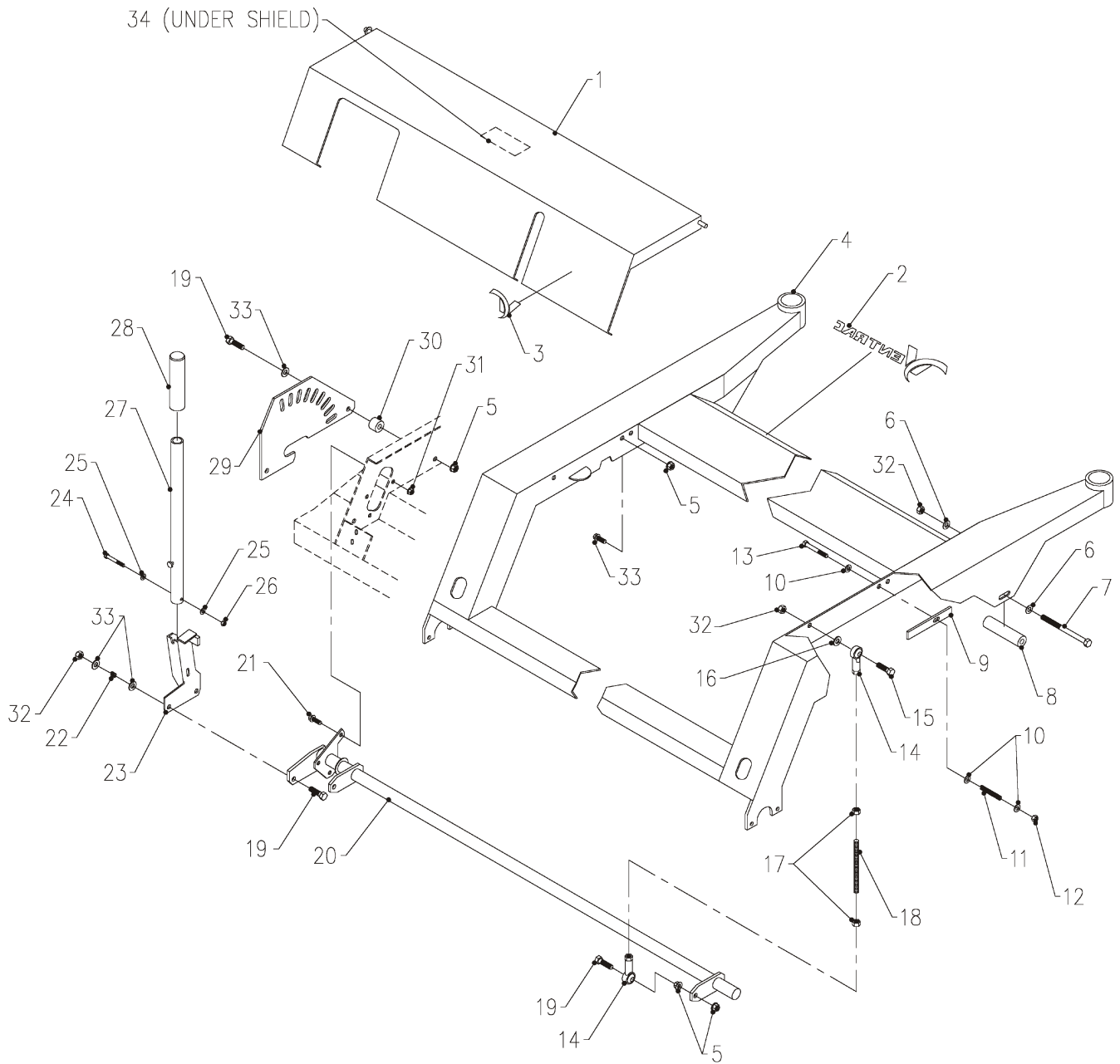
FIGURE 4 SPINDLE ASSEMBLY

REF.	HM600 PART NO.	HM720/HP720 PART NO.	DESCRIPTION	QTY.
1	81.B158	81.B180	Belt	1
2	99.A12NF	99.A12NF	3/4-16 Lock Nut	3
3	99.B0057-2	99.B0057-2	10 ga. x 3/4 x 1-1/4 Machine Washer	3
4	83.0051	83.0052	Spindle Pulley	3
5	85.B0080	85.B0080	Pulley Spacer	3
6	55.0057	55.0057	Ball Bearing, 2-sided Shield	3
7	90.0610	90.0610	3/8-16 x 1-1/4 Bolt.	12
8	95.06	95.06	3/8 SAE Flat Washer	12
9	99.SF06	99.SF06	3/8-16 Flange Nut	12
10	29.GF0017	29.GF0017	Relief Fitting	3
11	55.0035	55.0035	Ball Bearing, Single Shield.	3
12	87.0209-1	87.0209-1	Spindle Housing	3
13	29.GF0001	29.GF0001	1/4-28 Grease Fitting	3
14	87.0209	87.0209	Spindle Assembly, Right Hand Thread.	3
15	87.0209-2	87.0209-2	Spindle Shaft, Right Hand Thread	3
16	85.W0406	85.W0406	1/4 x 3/4 Woodruff Key.	3
17	87.0210	87.0210	Spindle Flange Shield	3
18	79.0036	79.0038	Low Lift Blade	3
.	79.0035	79.0037	High Lift Blade	3
.	79.0046	Gator Blade	3
19	64.0688	64.0688	Spindle Guard	3
20	91.0814	91.0814	1/2-20 x 1-3/4 Bolt	3
21	99.B0091	99.B0091	Blade Washer	3
22	85.B0082	85.B0082	Bushing, Spindle Shaft Spacer.	3

PARTS

FIGURE 5 ILLUSTRATED DRAWING CARRIER FRAME PARTS

(HM600 SER# AA1001-AA1262) (HM720 SER# AA1001-AA1134) (HP720 SER# AA1001-AA1025)



PARTS

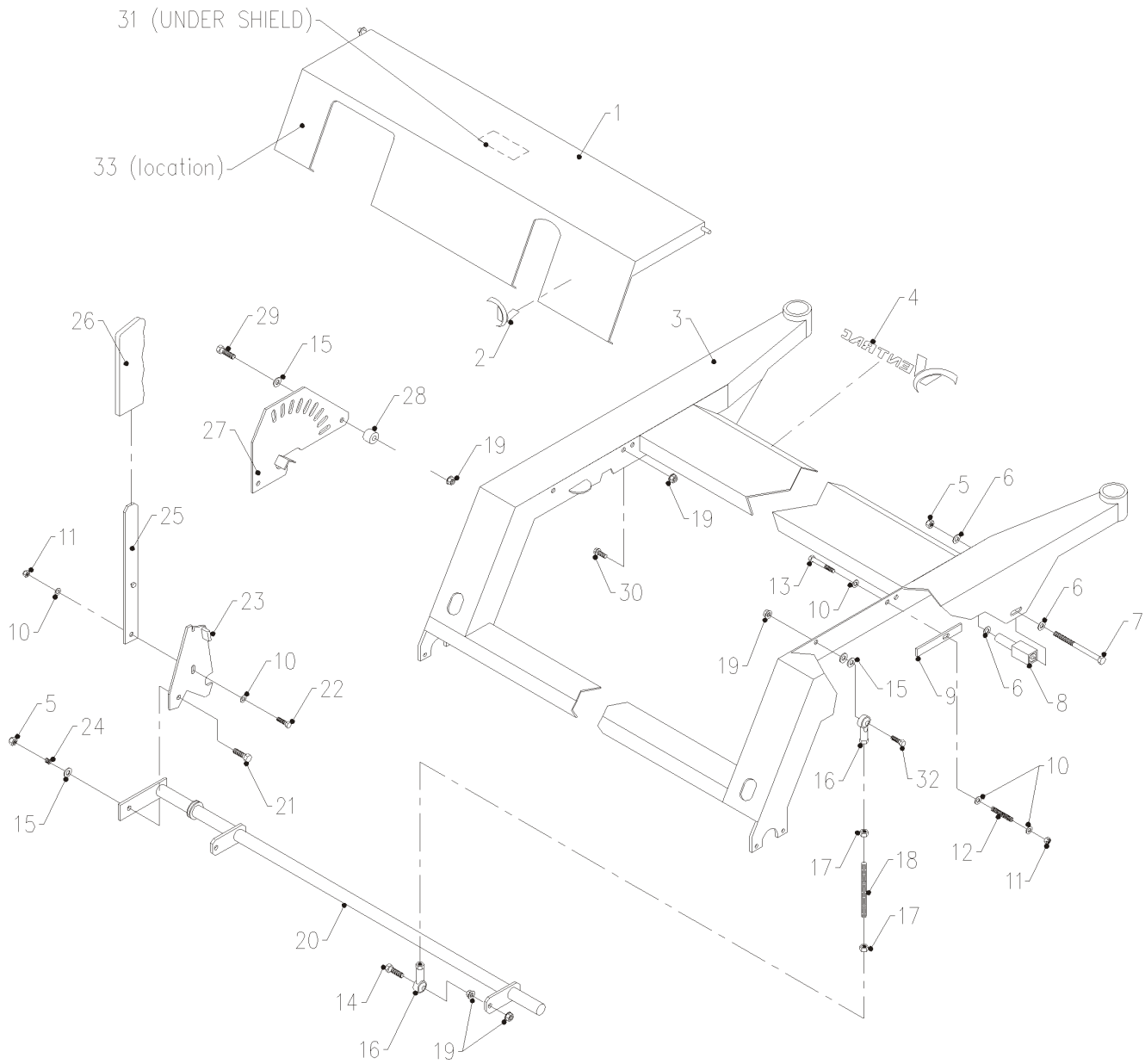
FIGURE 5 CARRIER FRAME PARTS

REF.	HM600 PART NO.	HM720/HP720 PART NO.	DESCRIPTION	QTY.
1	60.0662	60.0676	Deck Shield	1
1	60.0758	Offset Deck Shield, HP720	1
2	00.0189	00.0189	Ventrac Decal	1
3	00.0192	00.0192	V-Decal	1
4	62.0758	62.0764	Carrier Frame	1
5	99.SF06	99.SF06	3/8-16 Flange Nut	7
6	94.06	94.06	3/8 USS Washer	4
7	90.0640	90.0640	3/8-16 x 5 Bolt	2
8	64.0671	64.0671	Deck/Carrier Spacer	2
9	64.0682	64.0682	Deck Shield Spring	1
10	95.05	95.05	5/16 SAE Flat Washer	3
11	41.0021	41.0021	1/2 OD x 2-3/4 Compression Spring	1
12	99.A05	99.A05	5/16-18 Locknut	1
13	90.0524	90.0524	5/16-18 x 3 Bolt	1
14	43.006	43.006	3/8-24 Spherical Rod End	4
15	90.0610	90.0610	3/8-16 x 1-1/4 Bolt	2
16	95.06	95.06	3/8 SAE Washer	14
17	93.06	93.06	3/8-24 Nut	4
18	99.J0640NFZ	99.J0640NFZ	Height Adjuster Rod	2
19	90.0612	90.0612	3/8-16 x 1-1/2 Bolt	8
20	42.0386	42.0388	Height Adjuster Cross Shaft	1
21	99.SF0506	99.SF0506	5/16-18 x 3/4 Flange Bolt	3
22	41.0039	41.0039	9/16 OD x 5/8 Compression Spring	2
23	64.0678	64.0678	Height Adjuster Bracket	1
24	90.0414	90.0414	1/4-20 x 1-3/4 Bolt	1
25	95.04	95.04	1/4 SAE Washer	2
26	99.A04	99.A04	1/4-20 Lock Nut	1
27	42.0387	42.0387	Height Adjuster Handle	1
28	47.0111	47.0111	Handle Grip	1
29	64.0668	64.0668	Height Adjuster Plate	1
30	64.0679	64.0679	Height Adjuster Plate Spacer	2
31	99.SF05	99.SF05	5/16-18 Flange Nut	3
32	99.A06	99.A06	3/8-16 Lock Nut	6
33	99.SF0608	99.SF0608	3/8-16 x 1 Flange Bolt	1
34	00.0166	00.0166	Belt Diagram Decal	1

PARTS

FIGURE 6 ILLUSTRATED DRAWING DECK PARTS

(HM600 SER# AA1263--)(HM720 SER# AA1135--)(HP720 SER# AA1026)



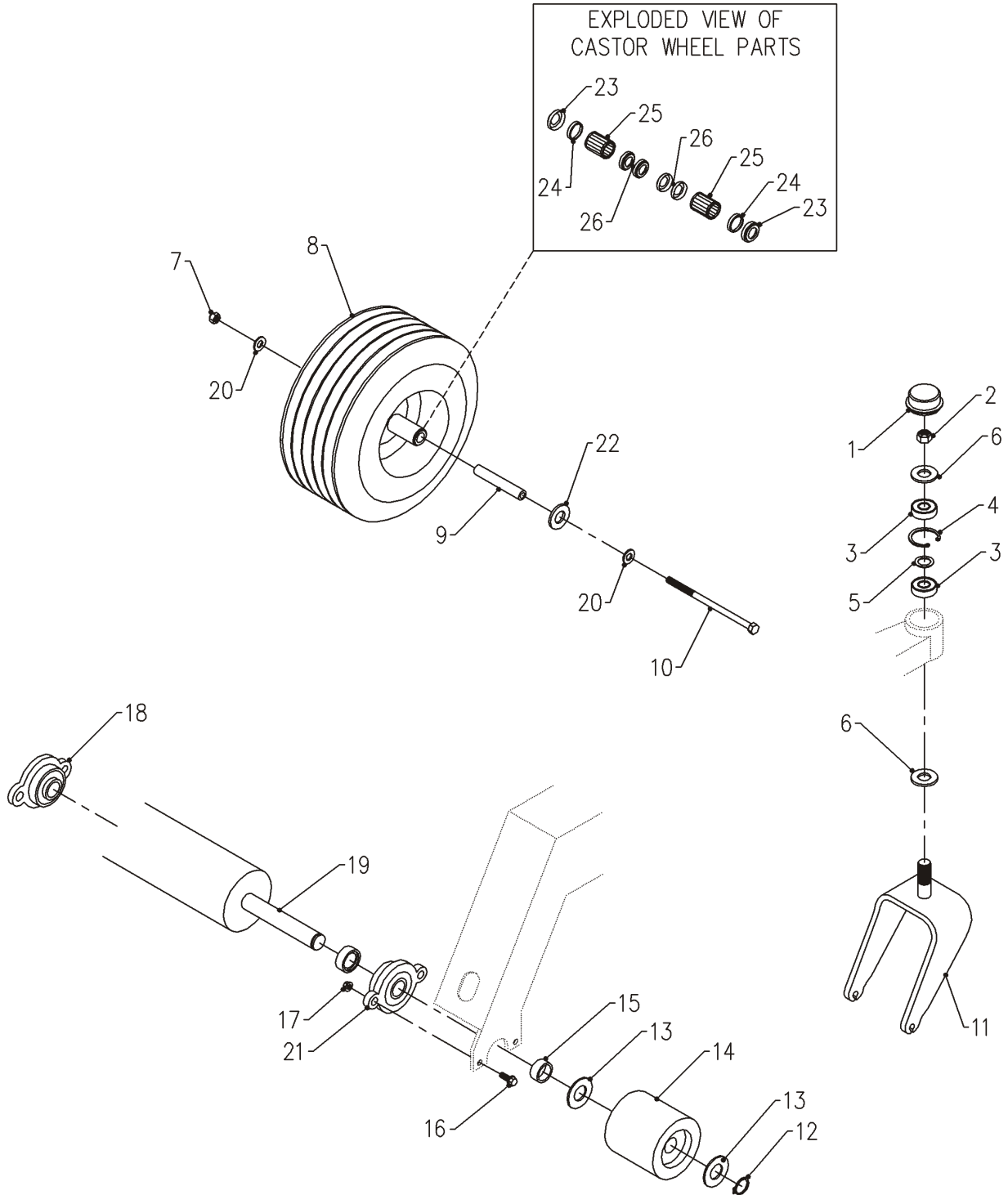
PARTS

FIGURE 6 DECK PARTS

REF.	HM600 PART NO.	HM720/HP720 PART NO.	DESCRIPTION	QTY.
1	60.0662	60.0676	Deck Shield	1
1	60.0758	Offset Deck Shield, HP720	1
2	00.0192	00.0192	V-Decal	1
3	62.0758	62.0764	Carrier Frame	1
4	00.0139	00.0139	Ventrac Decal	1
5	99.A06	99.A06	3/8-16 Lock Nut	3
6	94.06	94.06	3/8 USS Flat Washer	6
7	90.0640	90.0640	3/8-16 x 5 Bolt	2
8	64.1000	64.1000	Deck/Carrier Slide Pin	2
9	64.0682	64.0682	Deck Shield Spring	1
10	95.05	95.05	5/16 SAE Flat Washer	5
11	99.A05	99.A05	5/16-18 Lock Nut	2
12	41.0021	41.0021	1/2 OD x 2-3/4 Compression Spring	1
13	90.0524	90.0524	5/16-18 x 3 Bolt	1
14	90.0612	90.0612	3/8-16 x 1-1/2 Bolt	2
15	95.06	95.06	3/8 SAE Washer	7
16	43.006	43.006	3/8-24 Spherical Rod End	4
17	93.06	93.06	3/8-24 Nut	4
18	99.J0640NFZ	99.J0640NFZ	Height Adjuster Rod	2
19	99.SF06	99.SF06	3/8-16 Flange Nut	9
20	42.0431	42.0432	Height Adjuster Cross Shaft	1
21	90.0614	90.0614	3/8-16 x 1-3/4 Bolt	1
22	90.0508	90.0508	5/16-18 x 1 Bolt	1
23	64.0903	64.0903	Height Adjuster Bracket	1
24	41.0039	41.0039	9/16 OD x 5/8 Compression Spring	1
25	40.0289	40.0289	Height Adjuster Selector Handle	1
26	47.0086	47.0086	Handle Grip	1
27	64.0904	64.0904	Height Adjuster Plate	1
28	64.0905	64.0905	Height Adjuster Plate Spacer	2
29	90.0618	90.0618	3/8-16 x 2-1/4 Bolt	2
30	99.SF0608	99.SF0608	3/8-16 x 1 Flange Bolt	1
31	00.0166	00.0166	Belt Diagram Decal	1
32	90.0610	90.0610	3/8-16 x 1-1/4 Bolt	2
33	00.0100	00.0100	Made in the USA Decal	1

PARTS

FIGURE 7
ILLUSTRATED DRAWING
CASTER & REAR ROLLER PARTS



PARTS

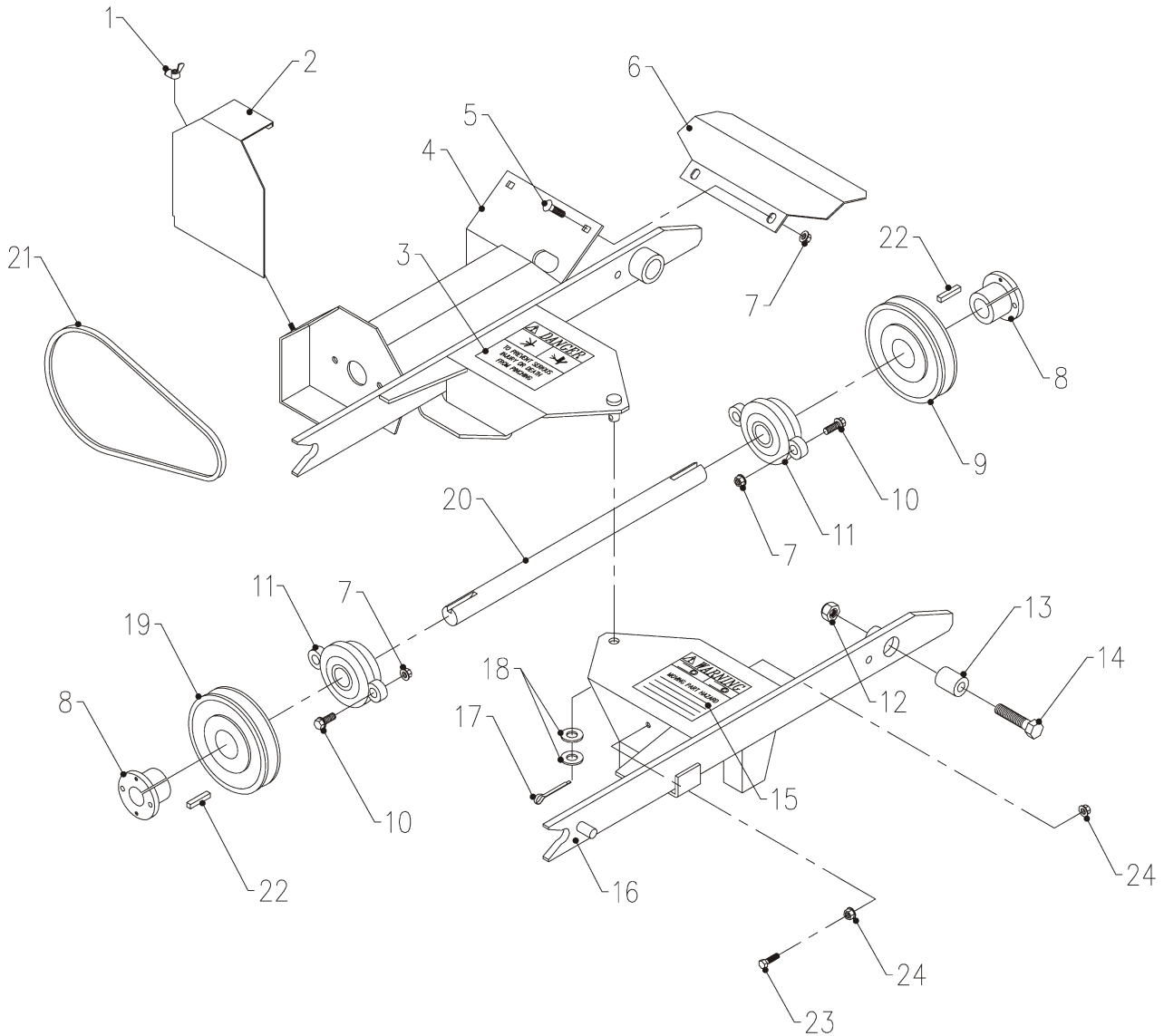
**FIGURE 7
CASTER & REAR ROLLER PARTS**

REF.	HM600 PART NO.	HM720/HP720 PART NO.	DESCRIPTION	QTY.
1	53.0080	53.0080	Dust Cap.	2
2	99.A12NF	99.A12NF	3/4-16 Locknut.	2
3	55.0023	55.002375 x 1.78 Ball Bearing.	4
4	04.0013	04.0013068 x 1.75 Internal Snap Ring.	2
5	99.B0052	99.B0052.	16 ga. x 3/4 x 1 Shim	2
6	99.B0057-2	99.B0057-2	10 Ga. x 3/4 x 1-1/4 Machinery Washer	4
7	99.A06	99.A06	3/8-16 Locknut.	2
8	53.0086	53.0086	Caster Wheel Assembly	2
9	50.0050	50.0050	Axle Tube	2
10	90.0656	90.0656	3/8-16 x 7 Bolt (Welded 1/4" Caster only)	2
10	90.0660	90.0660	3/8-16 x 7-1/2 Bolt (Formed 3/8" Caster)	2
11	50.0049	50.0049	Caster Spindle	2
12	04.0016	04.0016	1" External Snap Ring	2
13	95.16	95.16	1" SAE Washer	4
14	50.0044	50.0044	End Roller	2
15	64.0681	64.0681	Rear Roller Spacer.	2
16	99.SF0508.	99.SF0508	5/16-18 x 1 Flange Bolt	4
17	99.SF05	99.SF05	5/16-18 Flange Nut	4
18	55.FB16016	55.FB16016	1" Flange Block Bearing	1
19	80.0292	80.0293	Rear Roller.	1
20	95.06	95.06.	3/8 SAE Flat Washer	4
21	55.FB16016-7	55.FB16016-7	1" Flange Block Bearing	1
22	95.12	95.12.	3/4 SAE Flat Washer (As needed).	2
23	47.0215	47.0215	End Cap (QTY per 1 of Ref 8)	2
24	44.0201	44.0201	Felt Seal (QTY per 1 of Ref 8)	2
25	55.0053	55.0053	Roller Bearings (QTY per 1 of Ref 8)	2
26	99.G0013	99.G0013	Inner Spacer (QTY per 1 of Ref 8)	4

PARTS

FIGURE 8 ILLUSTRATED DRAWING HITCH ASSEMBLY PARTS

(HM600 SER# AA1001-AA1357) (HM720 SER# AA1001-AA1188) (HP720 SER# AA1001-AA1066)



PARTS

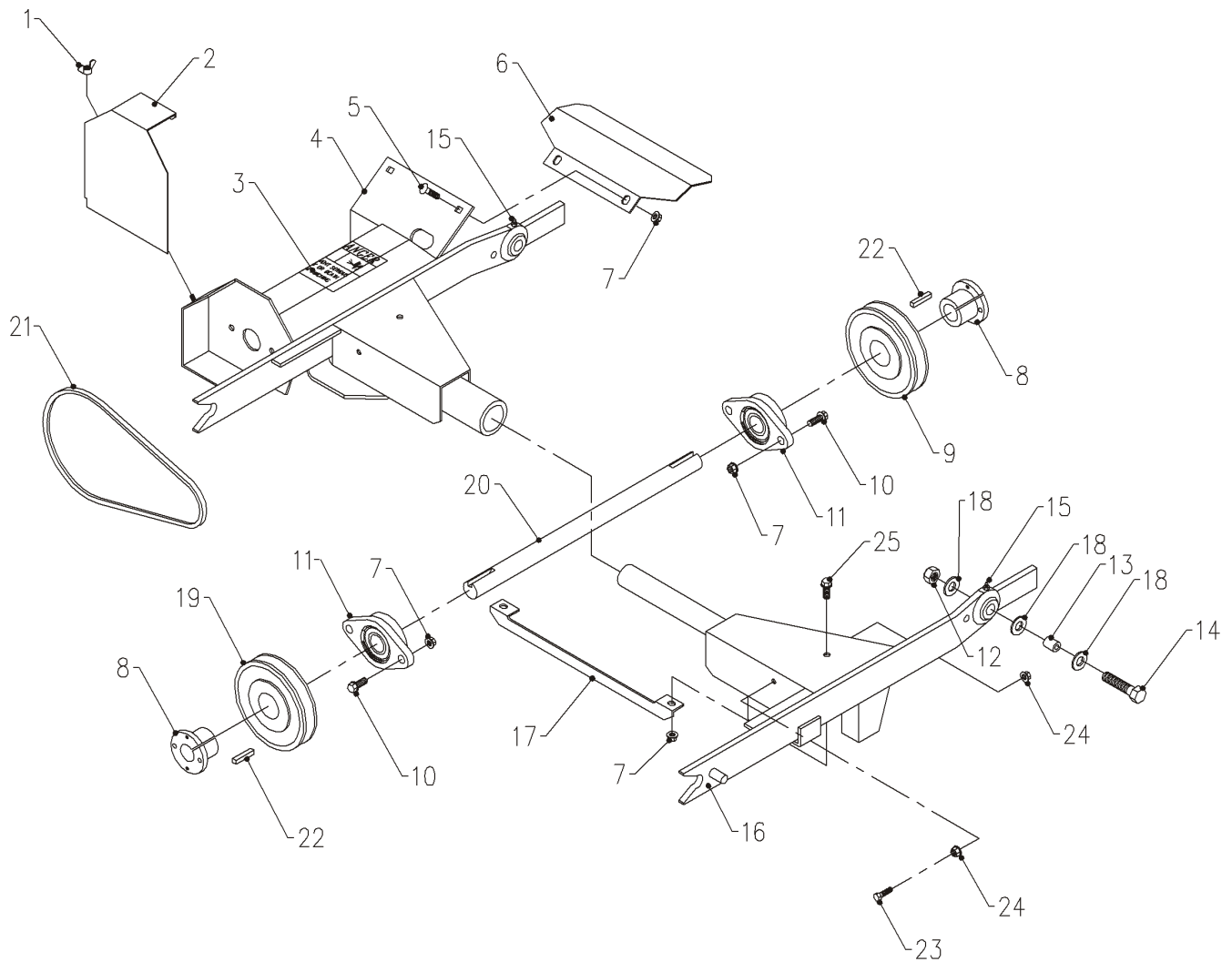
FIGURE 8 HITCH ASSEMBLY PARTS

REF.	HM600 PART NO.	HM720/HP720 PART NO.	DESCRIPTION	QTY.
1	99.E0004	99.E0004	1/4-20 Wing Nut	1
2	60.0665	60.0665	Outer Drive Pulley Shield	1
3	00.0102	00.0102	Pinching Hazard Decal	1
4	62.0759	62.0773	Left Hitch Arm	1
5	97.0504	97.0504	5/16-18 x 1/2 Carriage Bolt	2
6	60.0663	60.0663	Inner Drive Pulley Shield.	1
7	99.SF05	99.SF05	5/16-18 Flange Nut	6
8	83.H16S	83.H16S	1" Split Bushing	2
9	83.BK50H	83.BK45H	Inner Drive Pulley	1
10	99.SF0508	99.SF0508	5/16-18 x 1 Flange Bolt	4
11	55.FB16016-1	55.FB16016-1	1" Flange Block Bearing	2
12	99.A08	99.A08	1/2-13 Locknut	2
13	64.0680	64.0680	Lift Arm Bushing	2
14	90.0818	90.0818	1/2-13 x 2-1/4 Bolt	2
15	00.0101	00.0101	Moving Part Hazard Decal.	1
16	62.0760	62.0774	Right Hitch Arm	1
17	02.CP0512	02.CP0512	5/32 x 1-1/2 Cotter Pin	1
18	95.08	95.08	1/2 SAE Washer	2
19	83.BK55H	83.BK55H	Outer Drive Pulley	1
20	80.0291	80.0294	Drive Shaft.	1
21	81.B045	81.B045	B45 Belt	1
22	85.K0410	85.K0410	1/4 x 1-1/4 Key.	2
23	90.0410	90.0410	1/4-20 x 1-1/4 Bolt	1
24	99.SF04	99.SF04	1/4-20 Flange Nut	2

PARTS

FIGURE 9 ILLUSTRATED DRAWING HITCH ASSEMBLY PARTS

(HM600 SER# AA1358--)(HM720 SER# AA1189--)(HP720 SER# AA1067--)



PARTS

FIGURE 9 HITCH ASSEMBLY PARTS

REF.	HM600 PART NO.	HM720/HP720 PART NO.	DESCRIPTION	QTY.
1	99.E0004	99.E0004	1/4-20 Wing Nut	1
2	60.0665	60.0665	Outer Drive Pulley Shield	1
3	00.0101	00.0101	Moving Parts Hazard Decal	1
4	62.0930	62.0932	Left Hitch Arm	1
5	97.0504	97.0504	5/16-18 x 1/2 Carriage Bolt	2
6	60.0663	60.0663	Inner Drive Pulley Shield.	1
7	99.SF05	99.SF05	5/16-18 Flange Nut	8
8	83.H16S	83.H16S	1" Split Bushing	2
9	83.BK50H	83.BK45H	Inner Drive Pulley	1
10	99.SF0508	99.SF0508	5/16-18 x 1 Flange Bolt	4
11	55.FB16016-1	55.FB16016-1	1" Flange Block Bearing	2
12	99.A08	99.A08	1/2-13 Locknut	2
13	85.B0075	85.B0075	Nylon Bushing	2
14	90.0818	90.0818	1/2-13 x 2-1/4 Bolt	2
15	29.GF0001	29.GF0001	1/4 SAE Straight Grease Fitting	2
16	62.0931	62.0933	Right Hitch Arm	1
17	42.0450	42.0450	Spacing Link	1
18	95.08	95.08	1/2 SAE Washer	6
19	83.BK55H	83.BK55H	Outer Drive Pulley	1
20	80.0291	80.0294	Drive Shaft.	1
21	81.B045	81.B045	B45 Belt	1
22	85.K0410	85.K0410	1/4 x 1-1/4 Key.	2
23	90.0410	90.0410	1/4-20 x 1-1/4 Bolt	1
24	99.SF04	99.SF04	1/4-20 Flange Nut	2
25	99.SF0506	99.SF0506	5/16-18 x 3/4 Flange Bolt	2