



OWNER/OPERATOR'S MANUAL & PARTS LIST

POWER RAKE

KP540



Revised 02/05/20
09.10022



Orrville, OH
www.ventrac.com

TO THE OWNER

Product Identification

If you need to contact an Authorized Ventrac Dealer for information on servicing your product, always provide the Product Model and Serial numbers.

Please fill in the following information for future reference. See picture below to find the location of the identification number. Record them in the spaces provided below.

Date of Purchase: Month _____ Day _____ Year _____

Dealer: _____

Dealer Address: _____

Dealer Phone Number: _____

Dealer FAX Number: _____

Model # (A): _____

Serial # (B): _____

Affix Part/Serial Number label here



Ventrac Products Inc. reserves the right to make changes in design or specifications without obligation to make like changes on previously manufactured products.

TABLE OF CONTENTS

INTRODUCTION	SECTION A
Description & Specifications	A-1
SAFETY	SECTION B
Safety Symbols	B-1
Decals	B-2
General Safety Procedures	B-3
Safety Operation & Techniques	B-4
OPERATION	SECTION C
Attaching	C-1
Detaching	C-1
Operating	C-1
MAINTENANCE/ADJUSTMENTS	SECTION D
Bearing Lubrication	D-1
Hydraulic Fluid Level	D-1
Carbide Tip Replacement	D-1
PARTS & ILLUSTRATED DRAWINGS	SECTION E
Main Frame, Hitch Frame, & Filter	E-1 & 2
Pump, Valve, & Adjustment Handle	E-3 & 4
Rotor, Rotor Frame, & Motor	E-5 & 6
Height Adjuster	E-7 & 8
Wheel Frame & Shields	E-9 & 10
Side Wings, Dirt Flap, & Power Angle	E-11 & 12
WARRANTY	

INTRODUCTION

Product Description KP540 Power Rake

The Ventrac KP540 power rake is an excellent attachment that allows for quick preparation of a new seed bed.

Seventy-two replaceable, carbide tipped teeth aggressively refine the soil and move stones and debris forward, or to either side using the power angle feature. By shifting a lever, the rotor can be reversed to allow the operator to pull material away from buildings and other obstacles.

Single rotating crank adjustment moves teeth up or down, from scratching the surface to a three-inch depth in increments of 1/8 inch.

Stationary gauge wheels keep the rake centered with the tractor.

Adjustable side wings can be used to keep stones and debris in the work path.

Ventrac KP540 Specifications

Overall Height	38 inches
Overall Length	62 inches
Overall Width	61 inches
Rotor Width	54 inches
Cutting Depth Below Ground Level	3 inches
Weight	520 pounds
Hydraulic Fluid Capacity	4-1/2 gallons

Venture Products, Inc. reserves the right to change these specifications without notice.

SAFETY



ATTENTION:

This symbol identifies potential health and safety hazards. It marks safety precautions. Your safety and the safety of others is involved.

SIGNAL WORD DEFINITIONS

DANGER

Indicates an imminently hazardous situation which, if not avoided, will result in death or serious injury. This signal word is limited to the most extreme cases.

WARNING

Indicates a potentially hazardous situation which, if not avoided, could result in death or serious injury.

CAUTION

Indicates a potentially hazardous situation which, if not avoided, may result in minor or moderate injury and/or property damage. It may also be used to alert against unsafe practices.

SAFETY

The following decals must be maintained on your Ventrac Power Rake. If any decals are faded or missing, contact your dealer promptly for replacements.



A



B



C

Decal	Page & Location	Description	Part Number
A	E-9, #26	Danger - Pinching Hazard	00.0102
B	E-9, #28	High Pressure Fluid Hazard	00.0103
C	E-1, #16	Warning - Read Owner's Manual	00.0217

SAFETY



General Safety Procedures for Ventrac Tractors, Attachments, & Accessories



Read and understand the operator's manual before operating this equipment.

Observe and follow all safety decals.

DO NOT let children or any untrained person operate the tractor or attachment. Make sure that all operators of this equipment are thoroughly trained in using it safely.

Never allow additional riders on the tractor or attachments.

DO NOT operate tractor or attachments if you are under the influence of alcohol, drugs, or medication that may impair judgment or cause drowsiness, or if you are not feeling well.

Operate all controls from the operator's seat only.

Before operating equipment, make sure all shields are in place and fastened.

Ensure the attachment or accessory is locked or fastened securely to the tractor before operating. See tractor manual for locking procedure.

Ensure that all bystanders are clear of the tractor and attachment before operating. Be especially careful and observant if other people are present. Never assume that bystanders will remain where you last saw them.

Always look in the direction the tractor is moving.

Never direct the discharge of any attachment in the direction of people, animals, buildings, vehicles, or objects of value.

Stop operation immediately at any sign of equipment failure and correct the problem before continuing to operate. An unusual noise can be a warning of equipment failure or a sign that maintenance is required.

Before adjusting, cleaning, lubricating, or changing parts on the tractor or attachment, engage the parking brake, lower the attachment to the ground, stop the engine, and remove the ignition key.

To prevent the risk of uncontrolled equipment movement on tractors equipped with 2 speed axles, always shift the transaxle range with the tractor stationary on level ground and with the parking brake engaged.

If equipment is to be left unattended, engage the parking brake, lower the attachment to the ground, stop the engine, and remove the ignition key.

SAFETY

KP540 Safety Procedures

WARNING

Before making any repairs or adjustments, lower attachment to the ground, set parking brake, shut the engine off, and remove the key.

WARNING

Read and understand the operator's manual before operating this equipment.

WARNING

Always use eye protection when working with carbide tips.

CAUTION

Venture Products Inc. recommends ALWAYS wearing eye and ear protection when operating the power rake.

OPERATION

Attaching

1. Adjust the height of the rotor assembly until the indicator is located in the attaching zone[^].
2. Drive the tractor slowly forward into the hitch arms on the power rake. Align the lift arms of the tractor with the power rake hitch arms by raising or lowering the front hitch and complete the engagement.
3. Once completely engaged, close the front hitch locking lever.*
4. Engage the parking brake* and shut off engine.
5. Place the attachment belt over the outside groove of the PTO drive pulley on the tractor. Ensure the belt is properly seated in each pulley.
6. Engage the PTO spring tension lever.*
7. Wipe the quick couplers clean, and connect to the tractor. If equipped, connect the hoses and quick couplers so the red indicators are paired together and the yellow indicators are paired together.

Detaching

1. Adjust the height of the rotor assembly until the indicator is located in the attaching zone[^].
2. Park the tractor on a level surface and set the parking brake.*
3. Lower the power rake to the ground.
4. Shut off tractor engine.
5. Disengage the PTO spring tension lever.*
6. Remove the attachment belt from the PTO drive pulley of the tractor.
7. Disconnect the hydraulic quick couplers from the tractor.
8. Disengage the hitch locking lever.*
9. Restart tractor and slowly back away from the power rake.

* Refer to tractor manual for operation of controls.

[^] Attaching zone is set for the standard lift arm height of Ventrac 4000 series tractors. Variables such as tire size, tire inflation, and attempting to attach on an uneven surface will affect the proper location of the attaching zone. The purpose of the attaching zone is to remove all the attachment weight from the tractor hitch before removing from the tractor. This is done by lowering the rotor to the ground and allowing it to carry the weight of the power rake. This will ensure a quick and easy hitch alignment when reattaching to the tractor.

Operating Techniques & Tips:

Using low range on the tractor during operation of the power rake is recommended in most conditions.

Operator must be sitting on the tractor seat before the PTO can be engaged. The recommended tractor engine speed during operation is 2,800-3,600 RPM. Adjust the engine RPM and tractor ground speed to get the desired finish.

Before raking, clear the area of large rocks, wood, and leftover construction materials.

The rake can be used to “rough in” the area prior to finishing. This is done by setting the rake depth and pushing dirt into low areas and up to buildings, trees, and other obstructions.

The rotor reverse feature allows you to pull material away from buildings, trees, and obstructions, eliminating most hand raking.

If the rotor becomes plugged with sticks and debris, or becomes wrapped with string or wire, reversing the rotor will make quick work of cleaning it out.

MAINTENANCE

Bearing Lubrication

Grease the rotor bearing every 25 hours. Do not over grease. One pump is sufficient.

Hydraulic Fluid Level

Check hydraulic fluid level every 20 hours. Add Ventrac Hydro•Torq XL hydraulic oil, if necessary.

Carbide Tip Replacement

The carbide tips may eventually need to be replaced.

1. Remove the carbide tips using a cold chisel and a hammer. Place the cold chisel against the bottom flange of the tip in the slot of the protective sleeve and hammer the tip out.
2. Lightly grease the retainer ring and the base of the new tip.
3. Using a channel lock pliers, compress the retainer ring on the tip.
4. Insert the tip into the rotor sleeve and tap in with a hammer.

⚠ WARNING

Always use eye protection when working with carbide tips.

KP540 Power Rake Hitch Arm Leveling

Variables such as tire size, tire inflation, power unit hitch height, or hitch arm replacement may require one to level the main frame of the power rake.

Follow all safety precautions when doing any maintenance or adjustments.

1. With the Power Rake attached to the power unit, position entire unit on a level surface.
2. Raise the rotor assembly so as to clear the floor by a half inch.
3. Place the power units' hydraulic front lift lever in the float position.
4. Angle the rotor assembly all the way to the left.
5. Measure from a location on the rotor assembly frame down to the level surface. See photo.
6. Angle the rotor assembly all the way to the right.
7. Again measure from the same side and location on the rotor assembly frame down to the level surface.
8. If the two measurements are not within $1/8-1/4^*$ of an inch, the main frame should be leveled.
9. Loosen the six bolts that secure the hitch frame to the main frame.
10. Raise or lower the power units' hitch arms to change the angle between the hitch arm frame and the main frame.
11. Repeat steps 4 – 7 until the measurements are within $1/8-1/4^*$ of an inch.
12. Tighten the six bolts that secure the hitch frame to the main frame.

* $1/8-1/4$ of an inch is generally preferred for most applications. Other applications may require a finer adjustment.

Note: The above procedure may be used to adjust the rake to an intentional rotor angle.

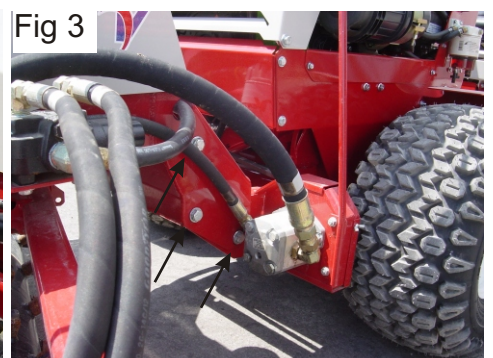
Fig 1



Fig 2



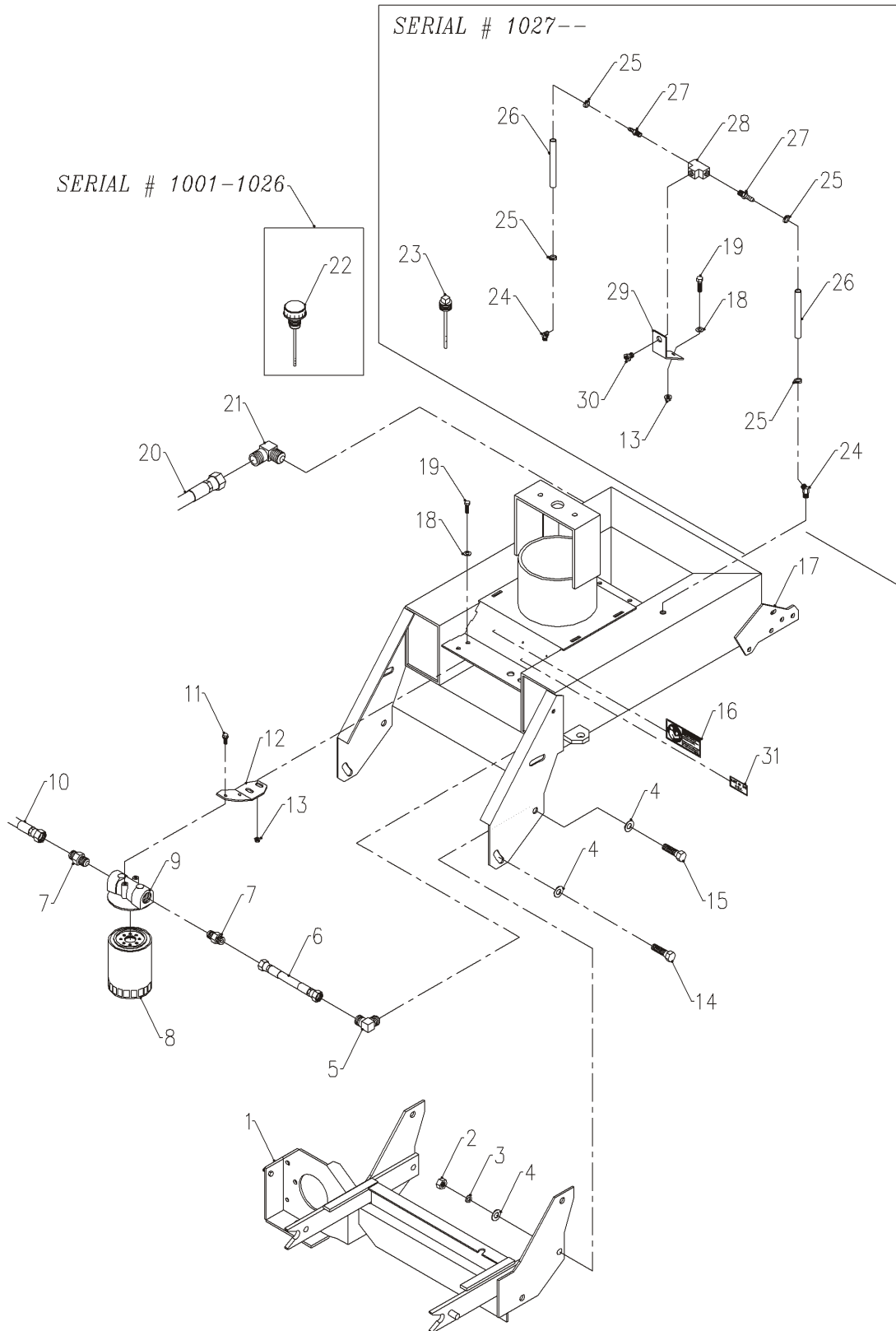
Fig 3



PARTS MANUAL

PARTS

ILLUSTRATED DRAWING MAIN FRAME, HITCH FRAME, & FILTER



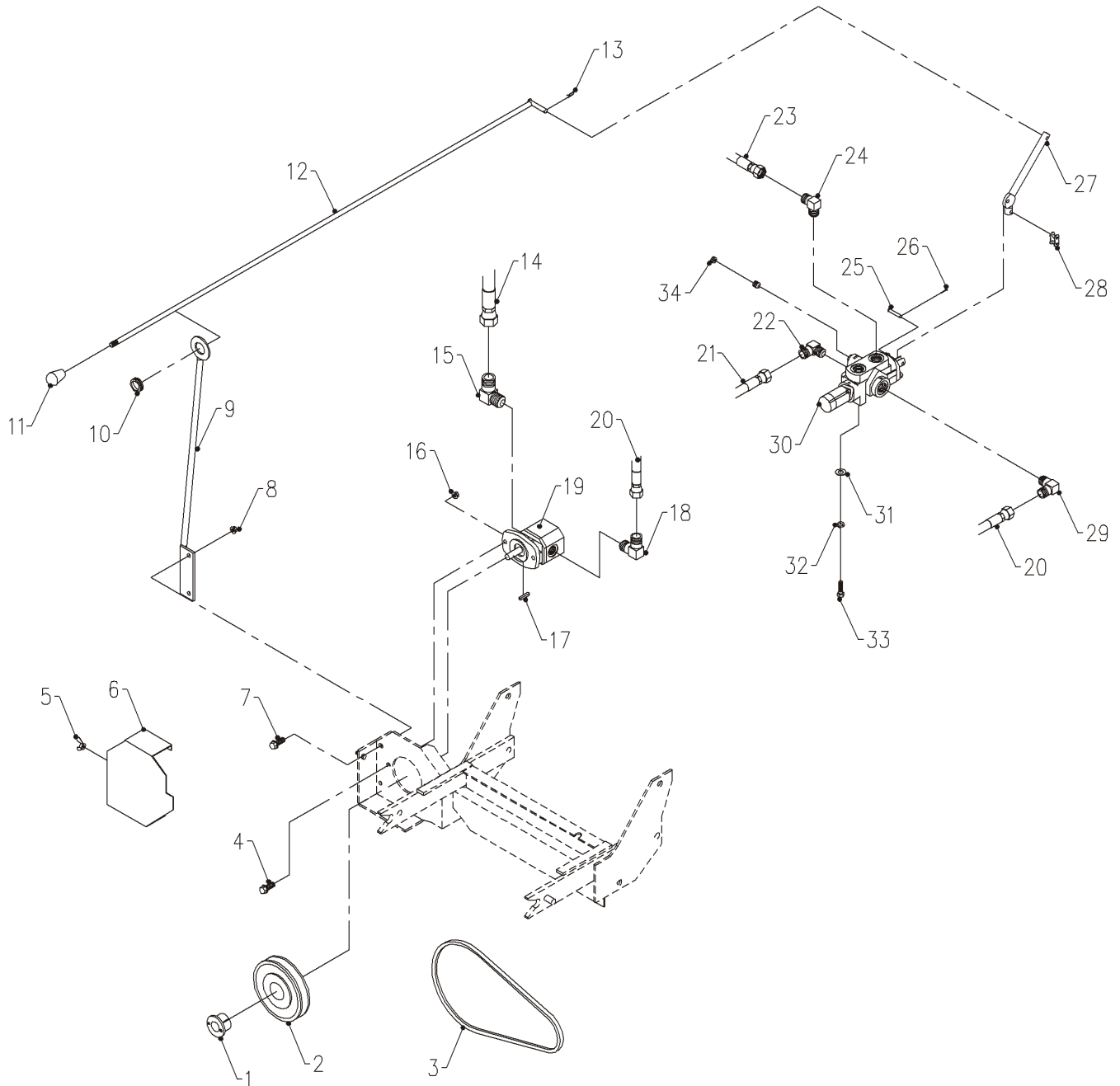
PARTS

MAIN FRAME, HITCH FRAME, & FILTER

REF.	PART NO.	DESCRIPTION	QTY.
1	62.0939	FRAME, HITCH ASSEMBLY KP540	1
2	92.08	NUT, 1/2-13 USS	6
3	96.08	WASHER, LOCK 1/2	6
4	95.08	WASHER, FLAT 1/2 SAE	12
5	25.2501-10-12	FITTING, 90 ME 5/8 X 3/4	1
6	22.0030	HOSE, ASM X 6" 5/8 PUSHLOCK	1
7	25.2404-10-12	FITTING, M CONN 5/8 X 3/4	2
8	21.0078	FILTER, HYDRAULIC 10 MICRON	1
9	21.0057	FILTER, HEAD 3/4" NPT PORTS	1
10	22.0031	HOSE, ASM X 16" 5/8 PUSHLOCK	1
11	99.SF0404-1	BOLT, SF 1/4-20 X 1/2 W/RUBBER	2
12	64.1009	MOUNT, OIL FILTER KP	1
13	99.SF05	NUT, SF 5/16-18 USS	3
14	90.0810	BOLT, 1/2-13 USS X 1 1/4	4
15	90.0814	BOLT, 1/2-13 USS X 1 3/4	2
16	00.0217	DECAL, WARNING READ OWNERS MAN.	1
17	62.0937	FRAME, MAIN KP540	1
18	95.05	WASHER, FLAT 5/16 SAE	3
19	90.0506	BOLT, 5/16-18 USS X 3/4	3
20	22.0032	HOSE, ASM X 30" 1 PUSHLOCK	1
21	25.2501-12-12	FITTING, 90 ME 3/4 X 3/4	1
22	23.0127-1	DIP STICK, ASM 5-3/4" KP (SERIAL # 1001-1026)	1
23	23.0134	DIP STICK, ASM 5-3/4" KP (SERIAL # 1027 -)	1
24	29.BF06MP0245	FITTING B. 3/8 BARB 1/8 NPT 45	2
25	11.0032	CLAMP, HOSE S/S 7/16-25/32	4
26	27.P06-6IN	HOSE, PUSHLOCK X 3/8 x 6"	2
27	29.BF06MP04	FITTING B. 3/8 BARB 1/4 NPT	2
28	25.3700-4-4-4	FITTING, F TEE 1/4 X 1/4 X 1/4	1
29	64.1076	BRACKET, BREATHER TUBE MOUNT	1
30	29.0093	PIPE, BREATHER PLUG 1/4	1
31	00.0100	DECAL, MADE IN USA	1

PARTS

ILLUSTRATED DRAWING PUMP, VALVE, & ADJUSTMENT HANDLE



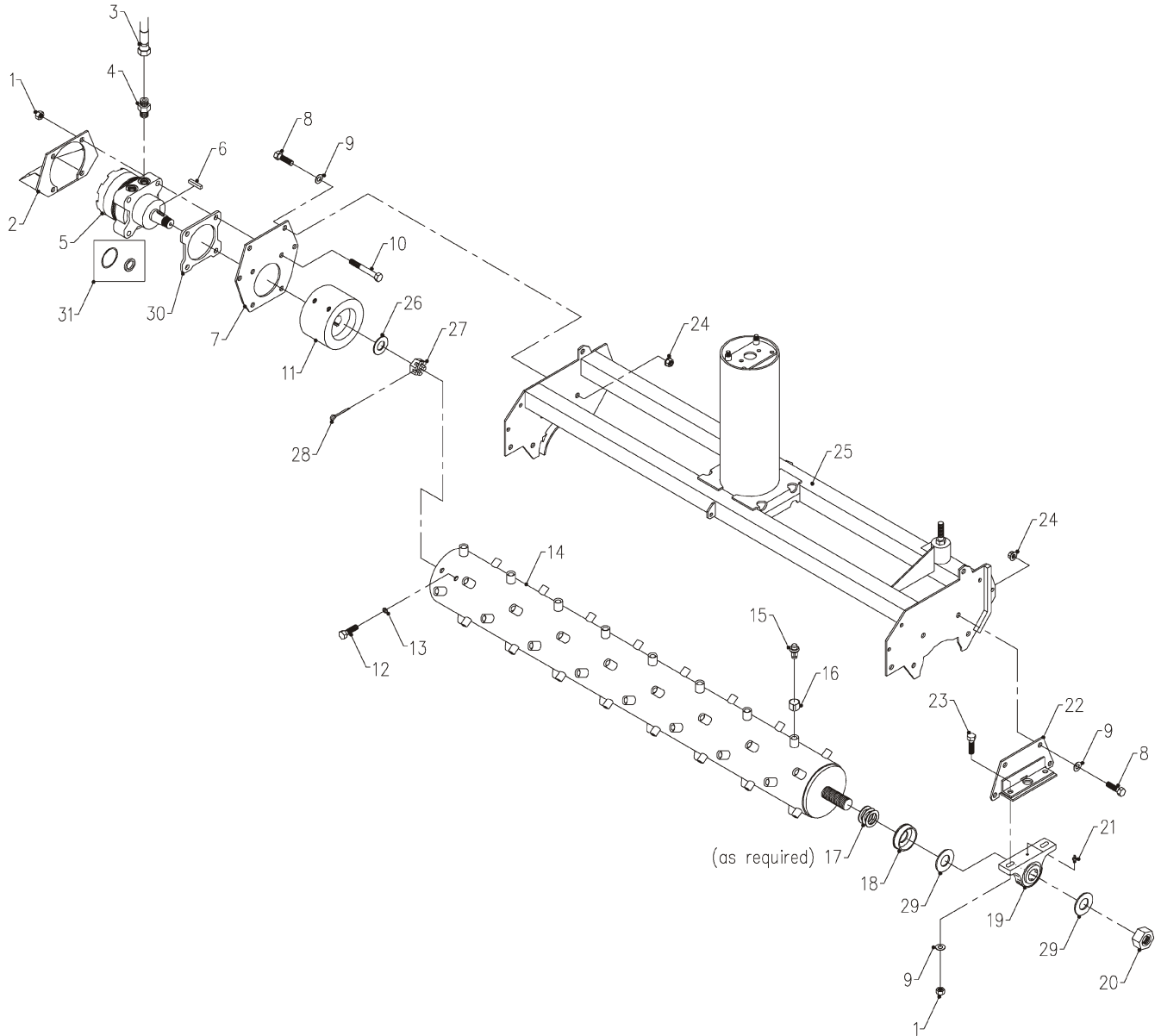
PARTS

PUMP, VALVE, & ADJUSTMENT HANDLE

REF.	PART NO.	DESCRIPTION	QTY.
1	83.H12	BUSHING, 3/4" H	1
2	83.BK60H	PULLEY, 6" H-BUSH	1
3	81.B048	BELT, B48	1
4	90.0608	BOLT, 3/8-16 USS X 1	2
5	99.E0004	NUT, WING 1/4-20 USS	1
6	60.0721	SHIELD, DRIVE PULLEY	1
7	90.0506	BOLT, 5/16-18 USS X 3/4	2
8	99.SF05	NUT, SF 5/16-18 USS	2
9	64.1012	SUPPORT, SHIFT ROD KP	1
10	05.0045	GROMMET, 3/4ID, 1 3/8OD, 1/2THK	1
11	47.0001	KNOB, SM. #80 3/8-16 THREAD	1
12	42.0452	ROD, SHIFT KP	1
13	02.HP0313	HAIRPIN, 3/32 X 1-5/8	1
14	22.0032	HOSE, ASM X 30" 1 PUSHLOCK	1
15	25.6801-12-12	FITTING, 90 ME 3/4 X 3/4	1
16	99.SF06	NUT, SF 3/8-16 USS	2
17	85.K0310	KEY, 3/16 X 1 1/4	1
18	25.6801-08-10	FITTING, 90 ME 1/2 X 5/8	1
19	21.0103	PUMP, BARNES CW 16 CCR	1
20	20.0186	HOSE, ASM X 19" 1/2-2W #8	1
21	22.0031	HOSE, ASM X 16" 5/8 PUSHLOCK	1
22	25.2501-10-12	FITTING, 90 ME 5/8 X 3/4	1
23	20.0182	HOSE, ASM X 27" 1/2-2W #8-3500	2
24	25.2501-08-08	FITTING, 90 ME 1/2 X 1/2	2
25	03.0408	CLEVIS PIN, 1/4 X 1	1
26	02.CP0304	COTTER PIN, 3/32 X 1/2	1
27	23.0121-4	HANDLE, DRILLED	1
28	81.0024	LINK, CONNECTOR #60	1
29	25.2501-08-12	FITTING, 90 ME 1/2 3/4	1
30	23.0121-1	VALVE, 23.0121 W/OUT HANDLE	1
	23.0121-2	BRACKET, CONTROL LEVER ENERGY	1
31	95.06	WASHER, FLAT 3/8 SAE	4
32	96.06	WASHER, LOCK 3/8	4
33	90.0606	BOLT, 3/8-16 USS X 3/4	4
34	85.SS22	Set Screw, 1/2-20 X 1/4"	1

PARTS

ILLUSTRATED DRAWING ROTOR, ROTOR FRAME, & MOTOR



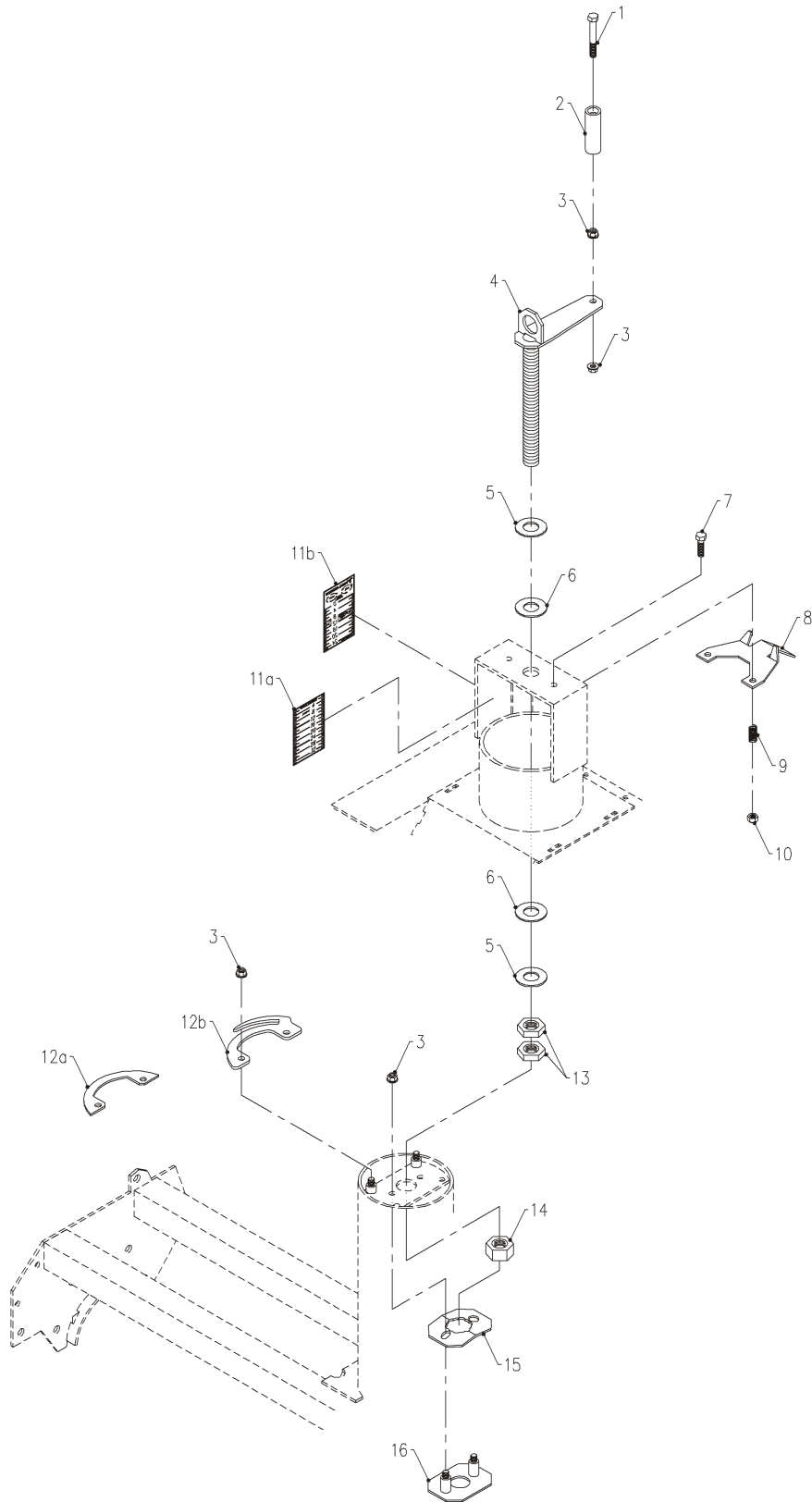
PARTS

ROTOR, ROTOR FRAME, & MOTOR

REF.	PART NO.	DESCRIPTION	QTY.
1	99.A08	LOCKNUT, STOVER 1/2-13 USS	4
2	60.0841	GUARD, MOTOR KP	1
3	20.0182	HOSE, ASM X 27" 1/2-2W #8-3500	2
4	25.6400-08-10	FITTING, M CONN 1/2 X 5/8	2
5	21.0102	MOTOR, WHEEL, WHITE 261CCR (SERIAL # 1001-1089)	1
5	21.0114	MOTOR, WHEEL PEERLESS 250CC (SERIAL # 1090-1159)	1
5	21.0120	MOTOR, WHEEL PEERLESS 250CC (SERIAL # 1160-)	1
6	85.K0510	KEY, 5/16 X 1 1/4	1
7	62.0942	MOUNT, MOTOR KP	1
8	90.0808	BOLT, 1/2-13 USS X 1	6
9	95.08	WASHER, FLAT 1/2 SAE	8
10	90.0820	BOLT, 1/2-13 USS X 2 1/2 (SERIAL # 1001-1089)	4
10	90.0822	BOLT, 1/2-13 USS X 2 3/4 (SERIAL # 1090-)	4
11	50.0167	HUB, DRIVE KP540 1"SHAFT (SERIAL # 1001-1086)	1
11	50.0176	HUB, DRIVE KP540 1"SHAFT (SERIAL # 1087-)	1
12	91.0808	BOLT, 1/2-20 SAE X 1	6
13	96.08	WASHER, LOCK 1/2	6
14	80.0324	ROTOR, ASSEMBLY KP540	1
15	79.0052	TOOL, CARBIDE.545 STEM X1-9/16	72
16	79.0052-1	SLEEVE, PROTECTIVE 7/8X1X3/4	72
17	95.20	WASHER, FLAT 1 1/4 SAE	3
18	64.1014	COVER, BEARING DIRT KP	1
19	55.PB25020-1	BEARING, PILLOW BLOCK 1 1/4	1
20	93.20	NUT, 1 1/4-12 SAE	1
21	29.GF0001	GREASE FTG, 1/4 SAE ST	1
22	64.1005	MOUNT, BEARING KP	1
23	90.0814	BOLT, 1/2-13 USS X 1 3/4	2
24	99.SF08	NUT, SF 1/2-13 USS	6
25	62.0938	FRAME, ROTOR KP540	1
26	95.16	WASHER, FLAT 1 SAE	1
27	99.E0069	NUT, CASTLE 1"-20 UNEF	1
28	02.CP0516	COTTER PIN, 5/32 X 2	1
29	99.B0078	WASHER, MACH 1 1/4 14 GA	2
30	64.1243	PLATE, SPACER HYD WHEEL MOTOR (SERIAL # 1090-)	1
31	89.0086	KIT, SEAL FOR 21.0114 MOTOR (SERIAL # 1090-1159)	1
31	89.0087	KIT, SEAL FOR 21.0120 MOTOR (SERIAL # 1160-)	1

PARTS

ILLUSTRATED DRAWING HEIGHT ADJUSTER



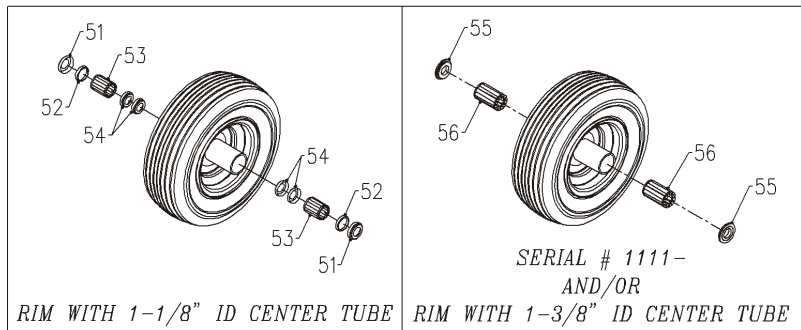
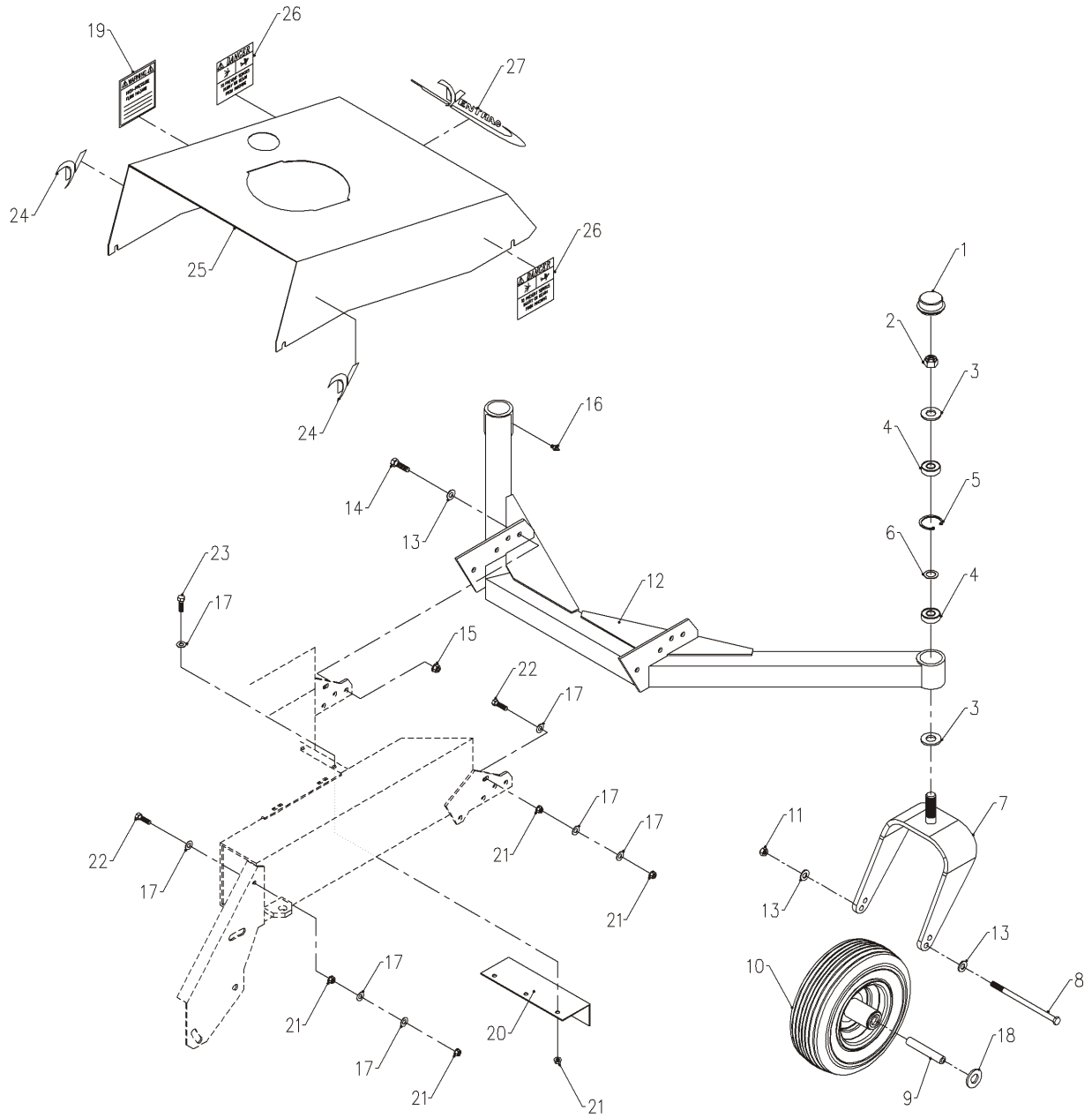
PARTS

HEIGHT ADJUSTER

REF.	PART NO.	DESCRIPTION	QTY.
1	90.0628	BOLT, 3/8-16 USS X 3 1/2	1
2	47.0216	KNOB, HEIGHT ADJUSTER HANDLE	1
3	99.SF06	NUT, SF 3/8-16 USS	6
4	42.0451	CRANK, ADJUSTING KP	1
5	95.16	WASHER, FLAT 1 SAE	2
6	05.0096	WASHER, UHMW 2-1/16X1-1/32X1/8	2
7	90.0612	BOLT, 3/8-16 USS X 1 1/2	2
8	64.1008	LATCH, CRANK KP	1
9	41.0039	SPRING, COMP. 9/16 OD X 5/8	2
10	99.A06	LOCKNUT, STOVER 3/8-16 USS	2
11a	00.0191	DECAL, HEIGHT ADJUSTMENT KP (SERIAL # 1001-1087)	1
11b	00.0230	DECAL, KP HEIGHT ADJUSTMENT (SERIAL # 1087-)	1
12a	64.1010	LIMITER, HEIGHT/DEPTH KP (SERIAL # 1001-1087)	1
12b	64.1242	LIMITER, DEPTH/HEIGHT GAUGE KP(SERIAL # 1087-)	1
13	99.E0066	NUT, JAM 1 USS	2
14	92.16	NUT, 1 USS	1
15	64.1011	LIMITER, NUT ROTATION KP.	1
16	64.1007	RETAINER, NUT KP.	1

PARTS

ILLUSTRATED DRAWING WHEEL FRAME & SHIELDS



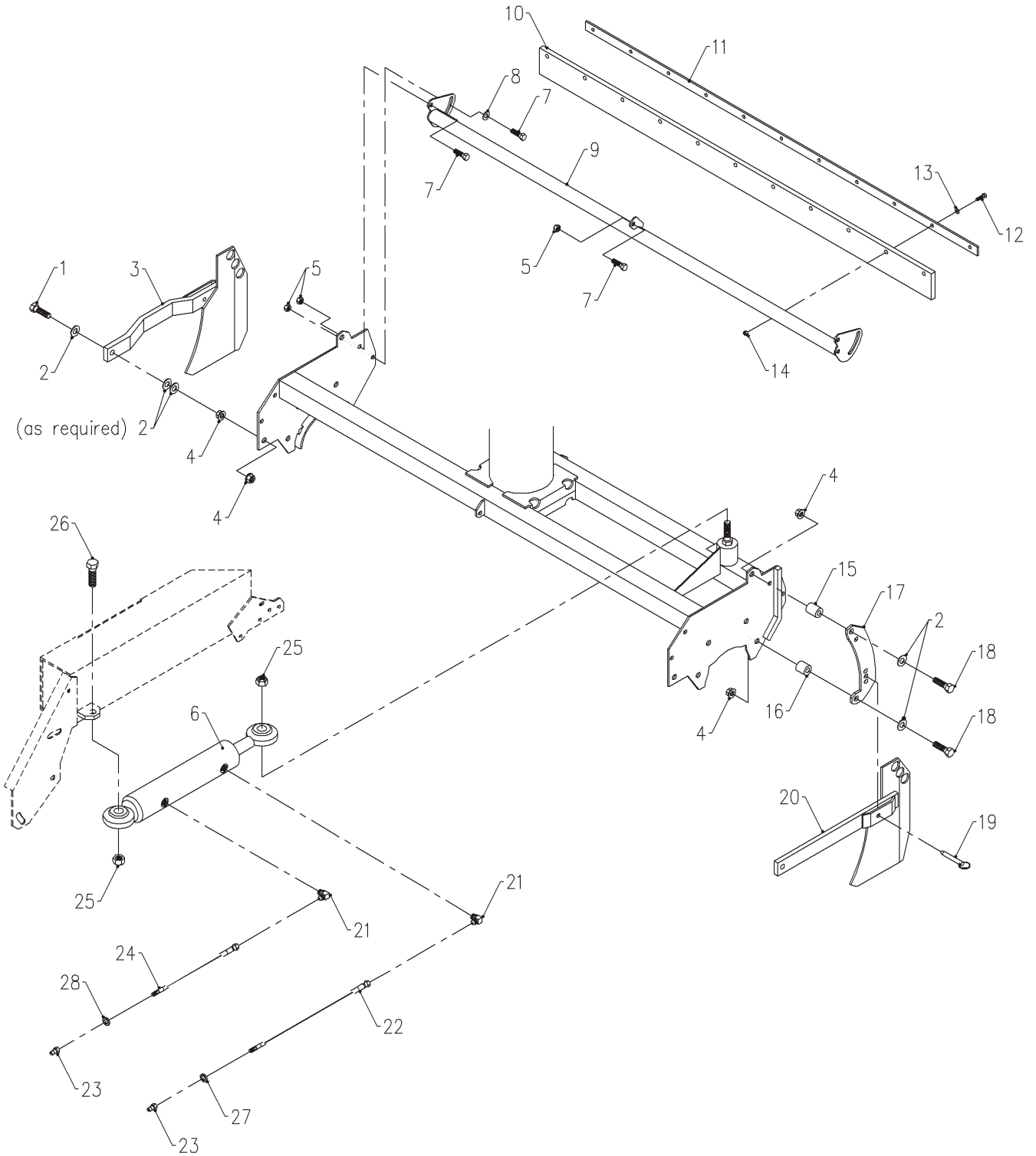
PARTS

WHEEL FRAME & SHIELDS

REF.	PART NO.	DESCRIPTION	QTY.
1	53.0080	DUST CAP, 1.986 OD FITS 53.079	2
2	99.A12NF	LOCKNUT, STOVER 3/4-16 SAE	2
3	99.B0057-2	WASHER, MACH 3/4 X 1-1/4 10 GA ZP	4
4	55.0023	BEARING, BALL .75 ID X 1.78 OD	4
5	04.0013	SNAP RING, INT .068 X 1.75	2
6	99.B0052	SHIM, STEEL 3/4 X 1 X .062	2
7	50.0183	YOKE, CASTER 13", HIGH/LOW	2
8	90.0660	BOLT, 3/8-16 USS X 7-1/2	2
9	50.0050	TUBE, AXLE/TIRE SWIVEL FORK VM	2
10	53.0086	WHEEL, ASM 13 X 5 X 6 HM (Serial # 1001-1110)	2
10	53.0133	WHEEL, ASM 13 X 5 X 6 CASTER (Serial # 1111 -)	2
11	99.A06C	LOCKNUT, CENTER 3/8-16	2
12	62.0940	FRAME, SWIVEL WHEEL SUPPORT KP	1
13	95.06	WASHER, FLAT 3/8 SAE	12
14	90.0608	BOLT, 3/8-16 USS X 1	8
15	99.SF06	NUT, SF 3/8-16 USS	8
16	29.GF0001	GREASE FTG, 1/4 SAE ST	2
17	95.05	WASHER, FLAT 5/16 SAE	15
18	95.12	WASHER, FLAT 3/4 SAE	2
19	00.0103	DECAL, HAZARD-HIGH PRESS.FLUID	1
20	60.0838	SHIELD, AIRFLOW KP540	1
21	99.SF05	NUT, SF 5/16-18 USS	11
22	90.0508	BOLT, 5/16-18 USS X 1	4
23	90.0506	BOLT, 5/16-18 USS X 3/4	3
24	00.0192	DECAL, V-DECAL DIE CUT BLUE	2
25	60.0840	COVER, MAIN KP540	1
26	00.0102	DECAL, DANGER-PINCHING HAZARD	2
27	00.0189	DECAL, VENTRAC ORBITAL	1
51	47.0215	CAP, END REPLACEMENT	2
52	44.0201	SEAL, FELT REPLACEMENT	2
53	55.0053	BEARING, ROLLER REPLACEMENT	2
54	99.G0013	WASHER, ROLLER BEARING	4
55	55.0066	BEARING, RETAINER 3/4"	2
56	55.0065	BEARING, 3/4 ROLLER 2-1/4" LG	2

PARTS

ILLUSTRATED DRAWING SIDE WINGS, DIRT FLAP, & POWER ANGLE



PARTS

SIDE WINGS, DIRT FLAP, & POWER ANGLE

REF.	PART NO.	DESCRIPTION	QTY.
1	90.0816	BOLT, 1/2-13 USS X 2	2
2	95.08	WASHER, FLAT 1/2 SAE	12
3	62.0943	WING, LEFT ARM	1
4	99.SF08	NUT, SF 1/2-13 USS	8
5	99.A06	LOCKNUT, STOVER 3/8-16 USS	5
6	23.0108	CYLINDER, 1-1/2" X 8" STEERING (SERIAL # 1001-1026)	1
6	23.0129	CYLINDER, 1-1/2" X 8" STEERING (SERIAL # 1027-)	1
7	90.0606	BOLT, 3/8-16 USS X 3/4	5
8	95.06	WASHER, FLAT 3/8 SAE	2
9	62.0941	HOLDER, RUBBER FLAP KP	1
10	44.0200	FLAP, DIRT- RUBBER KP540	1
11	60.0839	CLAMP, RUBBER FLAP KP	1
12	90.0510	BOLT, 5/16-18 USS X 1 1/4	11
13	95.05	WASHER, FLAT 5/16 SAE	11
14	99.A05	LOCKNUT, STOVER 5/16-18 USS	11
15	64.0680	BUSHING, 33/64 X 1 X 1 1/4	2
16	64.1527	BUSHING, .516" X 1" X 1-1/16"L	2
17	64.1006	GUIDE, WING KP	2
18	90.0820	BOLT, 1/2-13 USS X 2 1/2	4
19	03.0010	PIN, BALL 3/8 X 1-1/2	2
20	62.0944	WING, RIGHT ARM KP	1
21	25.2501-06-04	FITTING, 90 ME 3/8 X 1/4 (SERIAL # 1001-1026)	2
21	25.6801-06-06	FITTING, 90 ME 3/8 X 3/8 (SERIAL # 1027-)	2
22	20.0185	HOSE, ASM X 48" 1/4-1W #4	1
23	23.0104	COUPLER, HYD. QUICK MALE 1/4	2
24	20.0169	HOSE, ASM X 38" 1/4-1W	1
25	99.A10NF	LOCKNUT, STOVER 5/8-18 SAE	2
26	91.1018	BOLT, 5/8-18 SAE X 2 1/4	1
27	05.0117	WASHER, .544ID x .817 x.14 YEL	1
28	05.0116	WASHER, .544ID x .817 x.14 RED	1