



OWNER/OPERATOR'S MANUAL & PARTS LIST

SNOW BLOWER

KX522



Revised 01/08/20

09.10047



Orrville, OH
www.ventrac.com

TO THE OWNER

Product Identification

If you need to contact an Authorized Ventrac Dealer for information on servicing your product, always provide the Product Model and Serial numbers.

Please fill in the following information for future reference. See picture below to find the location of the identification number. Record them in the spaces provided below.

Date of Purchase: Month _____ Day _____ Year _____

Dealer: _____

Dealer Address: _____

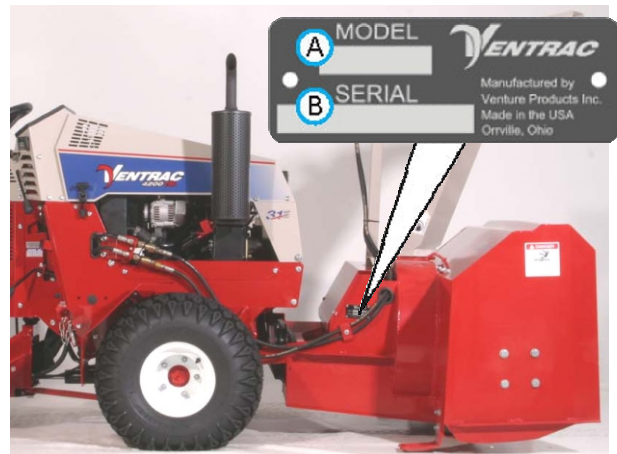
Dealer Phone Number: _____

Dealer FAX Number: _____

Model # (A): _____

Serial # (B): _____

Affix Part/Serial Number label here



Venture Products Inc. reserves the right to make changes in design or specifications without obligation to make like changes on previously manufactured products.

TABLE OF CONTENTS

INTRODUCTION	SECTION A
Description & Specifications	A-1
SAFETY	SECTION B
Safety Symbols	B-1
Decals	B-2
General Safety Procedures	B-3
Safety Operation & Techniques	B-4
OPERATION	SECTION C
Attaching	C-1
Detaching	C-1
Operating Techniques & Tips	C-1
MAINTENANCE/ADJUSTMENTS	SECTION D
Bearing Lubrication	D-1
Gearbox Lubrication	D-1
Belt Replacement	D-1
Chute Adjustment	D-2
Skid Shoe Adjustment	D-2
Auger Housing Wear Edge Adjustment	D-2
PARTS & ILLUSTRATED DRAWINGS	SECTION E
Main Frame & Auger Drive	E-1 & 2
Main Drive & Fan Drive	E-3 & 4
Chute & Hydraulics	E-5 & 6
Shields, Decals, & Cutting Edge	E-7 & 8
PARTS/OPTIONS	SECTION F
12 Volt Actuator Deflector Control	F-1 & 2
Top Auger	F-3 & 4
WARRANTY	

INTRODUCTION

Product Description KX522 Snow Blower

The Ventrac Model KX522 Snow Blower is a powerful, high capacity, two-stage snow blower. It combines an aggressive sixteen inch auger with a heavy duty, high speed fan to make a powerful and efficient snow removing attachment for the Ventrac 4000 series tractors.

The KX522 Snow Blower features:

a hydraulic motor that rotates the discharge chute 220 degrees.

a reversible, hardened cutting edge.

a shock absorbing belt drive to protect the gearbox.

quick attach mounting to the tractor.

adjustable skid shoes

adjustable auger housing side wear edges.

For areas with heavy snowfall, an optional second auger (Kit # 70.8072) is available. This second auger mounts above the 16" auger for effective removal of deeper snow.

An optional 12 volt actuator (Kit # 70.8025) can be added to control the chute deflector angle from the tractor seat. The 12 volt actuator is designed for use along with one of the following switch and plug kits, based on your tractor model.

If you have a Model 4100 or 4200 tractor, a **KT** 12v Switch & Plug Kit (# 70.4039) is required.

If you have a Model 4000 tractor, an **HT** 12v Switch & Plug Kit (# 70.4046) is required.

Ventrac KX522 Specifications

Overall Height	58-1/2 inches
Overall Length	43-3/4 inches
Overall Width	52 inches
Weight	440 pounds
Auger Opening Width	48 inches
Auger Diameter	16 inches
Fan Diameter	19-1/2 inches

Venture Products, Inc. reserves the right to change these specifications without notice.

SAFETY



ATTENTION:

This symbol identifies potential health and safety hazards. It marks safety precautions. Your safety and the safety of others is involved.

SIGNAL WORD DEFINITIONS

DANGER

Indicates an imminently hazardous situation which, if not avoided, will result in death or serious injury. This signal word is limited to the most extreme cases.

WARNING

Indicates a potentially hazardous situation which, if not avoided, could result in death or serious injury.

CAUTION

Indicates a potentially hazardous situation which, if not avoided, may result in minor or moderate injury and/or property damage. It may also be used to alert against unsafe practices.

SAFETY

The following decals must be maintained on your Ventrac Attachment. If any decals are faded or missing, contact your dealer promptly for replacements.



A



B



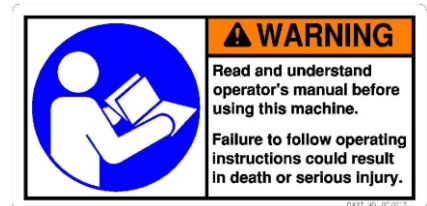
C



D



E



F



G

Decal	Page & Location	Description	Part Number
A	E-7, #5 F-3, #29	Danger - Shield Missing	00.0062
B	E-7, #18	Hazard - Moving Part	00.0101
C	E-7, #17	Thrown Object Hazard	00.0122
D	E-5, #34 (2)	Keep Hands & Feet Away	00.0123
E	E-7, #23 (2) F-3, #27	Danger - Auger Hazard	00.0208
F	E-7,	Warning - Read Owner's Manual	00.0217
G	E-7,	General Safety	00.0220

SAFETY



General Safety Procedures for Ventrac Tractors, Attachments, & Accessories



Read and understand the operator's manual before operating this equipment.

Observe and follow all safety decals.

DO NOT let children or any untrained person operate the tractor or attachment. Make sure that all operators of this equipment are thoroughly trained in using it safely.

Never allow additional riders on the tractor or attachments.

DO NOT operate tractor or attachments if you are under the influence of alcohol, drugs, or medication that may impair judgment or cause drowsiness, or if you are not feeling well.

Operate all controls from the operator's seat only.

Before operating equipment, make sure all shields are in place and fastened.

Ensure the attachment or accessory is locked or fastened securely to the tractor before operating. See tractor manual for locking procedure.

Ensure that all bystanders are clear of the tractor and attachment before operating. Be especially careful and observant if other people are present. Never assume that bystanders will remain where you last saw them.

Always look in the direction the tractor is moving.

Never direct the discharge of any attachment in the direction of people, animals, buildings, vehicles, or objects of value.

Stop operation immediately at any sign of equipment failure and correct the problem before continuing to operate. An unusual noise can be a warning of equipment failure or a sign that maintenance is required.

Before adjusting, cleaning, lubricating, or changing parts on the tractor or attachment, engage the parking brake, lower the attachment to the ground, stop the engine, and remove the ignition key.

To prevent the risk of uncontrolled equipment movement on tractors equipped with 2 speed axles, always shift the transaxle range with the tractor stationary on level ground and with the parking brake engaged.

If equipment is to be left unattended, engage the parking brake, lower the attachment to the ground, stop the engine, and remove the ignition key.

SAFETY

KX522 Safety Procedures

WARNING

Before making any repairs or adjustments, engage the parking brake, lower attachment to the ground, shut the engine off, and remove the key.

WARNING

Read and understand the operator's manual before operating this equipment.

The design and power used to move snow must be effective to break up snow and to blow it for relocation. This could make the snow blower a lethal "weapon" when misused. Operators should be extremely careful never to direct the snow blower or its discharge chute toward people or anything of value. Even snow discharged from the machine can be solid enough to cause serious injury. Frozen snow, ice, gravel, and other objects can be thrown at deadly speeds.

Operators should know the area being cleared and make preparations ahead of time. Place guide stakes appropriately, remove stones or markers of any kind that may be covered after a snowfall. Curbs, offsets, steps, manholes, broken pavement, etc. should be noted. Operators are encouraged to map the area(s) to be cleared before the winter season to remind the operator of potential hazards. If an area is to be cleared that is unfamiliar to the operator, travel slowly and use **EXTREME CAUTION**. Inquire of anyone who might know of potential hazards.

The operator should never proceed if visibility is poor. If the tractor is equipped with a cab, the windshield must be kept clean. Wait for blinding snowstorms and squalls to subside, and discharge snow with the wind direction as much as possible. Discharging snow against the wind reduces the blowing distance and generally reduces visibility by creating a snowstorm effect.

Use extra care when you come to shrubs, trees, or other objects that may block your vision.

Shut off the PTO when you are not blowing snow.

Always stop the snow blower and engage the parking brake before dismounting to change the angle of the chute deflector. Never attempt to clean out the snow blower, or adjust, repair, or maintain any part with the tractor running.

Always choose caution and safety over speed. Snow removal can be very important, even urgent, but one careless move can be far more serious.

OPERATION

Attaching

1. Drive the tractor slowly forward into the hitch arms on the snow blower. Align the lift arms of the tractor with the snow blower hitch arms by raising or lowering the front hitch and complete the engagement.
2. Once completely engaged, close the front hitch locking lever.*
3. Engage the parking brake* and shut off engine.
4. Place the attachment belt over the outside groove of the PTO drive pulley on the tractor. Ensure the belt is properly seated in each pulley.
5. Engage the PTO spring tension lever.*
6. Wipe the quick couplers clean, and connect to the tractor. If equipped, connect the hoses and quick couplers so the red indicators are paired together and the yellow indicators are paired together.
7. Connect the electric plug. (If equipped)
8. Engage the weight transfer system*. (If equipped)

Detaching

1. Park the tractor on a level surface and set the parking brake.*
2. Lower the snow blower to the ground.
3. Shut off tractor engine.
4. Disengage the PTO spring tension lever.*
5. Remove the attachment belt from the PTO drive pulley of the tractor.
6. Disconnect the hydraulic quick couplers from the tractor. Do not allow hoses and couplers to lay in the dirt and snow.
7. Disconnect the electric plug. (If equipped)
8. Disengage the hitch locking lever.*
9. Restart tractor and slowly back away from the snow blower.

* Refer to tractor manual for operation of controls.

Operating Techniques & Tips

Always shift the tractor transaxle to low range when operating the snow blower.

Always direct the discharge chute toward open areas. Whenever possible, blow snow with the wind direction and not against it. Rotate the chute to the desired direction using the auxiliary control. Adjust the discharge deflector to the desired angle. Refer to chute adjustment on page D-2.

Lower the snow blower to the ground and place the S.D.L.A. lever in the float position by moving it outward to the second position until the detent engages. The lever will stay in this position after engagement. For proper skid shoe height adjustment, refer to page D-2.

With the tractor running at approximately 2000-2500 RPM, engage the PTO. Drive forward slowly, keeping a close watch for potential hazards. Adjust the discharge chute rotation as necessary to keep the discharged snow directed to open areas.

MAINTENANCE/ADJUSTMENTS

Lubrication

Grease the auger, jack-shaft, & blower shaft bearings every 25 hours. Do not over grease. Usually, one or two pumps is sufficient. Additional lubrication may be required in extremely harsh or dirty conditions.

Check the gearbox every 100 hours or seasonally. If necessary, add 80-90 weight gear oil. Gearbox should be approximately half full.

Belt Replacement

	Venture Part #
PTO belt from the 4000 series tractor to the snow blower	B50 81.B050
Auger drive belt (2)	B50 81.B050
Gearbox drive belt	B35 81.B035
Fan drive belt	B55 81.B055
Optional top auger drive belt	B40 81.B040

Fan Drive Belt Replacement

1. Remove the main drive cover from the snow blower.
2. Release the belt tension springs for the gearbox drive and the fan drive belts.
3. Remove the four bolts (See Figure 1) from the bracket that holds the rear blower shaft bearing.
4. Rotate the bracket as shown in Figure 2.



Figure 1

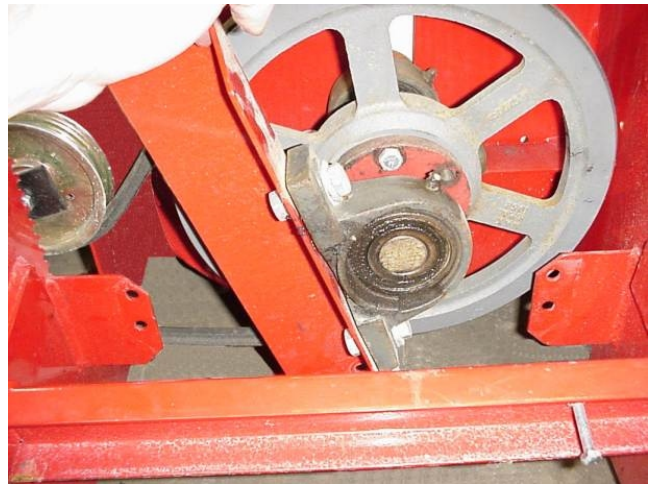


Figure 2

5. Remove the gearbox drive belt. Remove the old fan drive belt and install a new belt. Reinstall the gearbox drive belt.
6. Rotate the bracket back into place and install the four bolts.
7. Apply the belt tension springs for the gearbox drive and fan drive belts.
8. Reinstall the main drive cover.

MAINTENANCE/ADJUSTMENTS

Gearbox Drive, Auger Drive, & Top Auger Drive Belt Replacement

1. Remove the belt drive cover.
2. Release the belt tension spring and remove the old belt(s).
3. Install the new belt(s) and apply the belt tension spring.
4. Reinstall the belt drive cover.

Spring Tension Adjustment

The spring tension is adjustable for all the belts. This is to allow some belt slippage to protect the gearbox and drive components in the event an immovable object stops the auger or fan. At the factory, the spring is installed with a limited amount of tension. If required, the spring tension can be increased.

Chute Adjustment

The discharge deflector can be hand adjusted to several different settings. Release the chute adjustment link by pulling to the side and move the deflector to the desired angle. Re-engage the link. With an optional electric actuator installed, the discharge deflector can be adjusted with a switch on the dash of the tractor.

Skid Shoe Adjustment

Skid shoes are provided to keep the cutting edge off the surface to be cleaned, especially when clearing snow on gravel drives and roadways. To adjust the skid shoes, park the tractor and snow blower on a level surface. Raise the blower and set blocks of the desired height under the cutting edge. (See Figure 3) Lower the snow blower until it is resting on the blocks. Loosen the skid shoe mounting bolts and slide the skid shoes until they touch the ground. Re-tighten the mounting bolts. Both the right and the left skid shoes should be set at the same height.



Figure 3

Auger Housing Wear Edge Adjustment

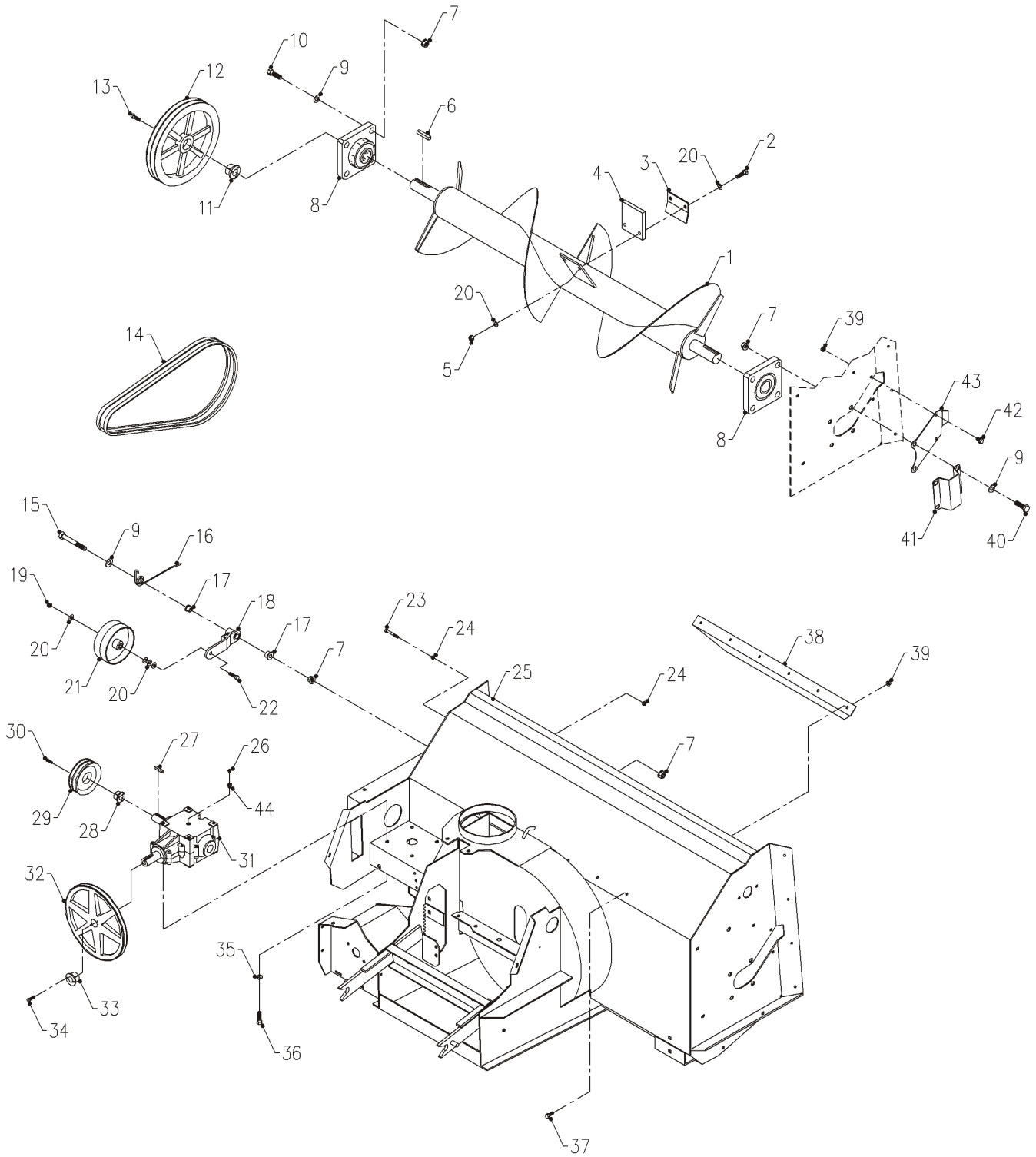
After the skid shoes are adjusted to the correct height, park the tractor and snow blower on a level surface. Lower the snow blower until the skid shoes are resting on the ground. Set the auger housing wear edges approximately 1/4" above the ground.

Vertical Cutting Edge Adjustment

The vertical cutting edges can be adjusted to provide either a 52" or 54" cutting width. If the shorter flanges (2-7/8 - 3") are bolted to the snow blower, the cutting width is 52". If the longer flanges are bolted to the snow blower, the cutting width is 54". To switch from one cutting width to the other, rotate the cutting edges 180 degrees. Do not switch the cutting edges to opposite sides of the snow blower. The left cutting edge has 15 degrees greater bend than the right.

PARTS

ILLUSTRATED DRAWING MAIN FRAME & AUGER DRIVE



PARTS

MAIN FRAME & AUGER DRIVE

REF.	PART NO.	DESCRIPTION	QTY.
1	80.0369	AUGER, ASM KX522.	1
2	90.0612	BOLT, 3/8-16 USS X 1 1/2	4
3	64.1088	PLATE, AUGER PADDLE RETAINER	2
4	44.0181	PADDLE, 1/2" 3 PLY 3/8 X 1/16	2
5	99.A06N	LOCKNUT, NYLON 3/8-16	4
6	85.K0610	KEY, 3/8 X 1 1/4	1
7	99.SF08	NUT, SF 1/2-13 USS	10
8	55.FB22023	BEARING, FLANGE BLOCK 1-7/16"	2
9	95.08	WASHER, FLAT 1/2 SAE	9
10	90.0812	BOLT, 1/2-13 USS X 1 1/2	4
11	83.SK23	BUSHING, 1 7/16" SK	1
12	83.2B110SK	PULLEY, 2 B 11" 2-GROOVE	1
13	90.0516	BOLT, 5/16-18 USS X 2	3
14	81.B050	BELT, B50	2
15	90.0824	BOLT, 1/2-13 USS X 3	1
16	41.0066	SPRING, SINGLE TORSION LH	1
17	85.B0027	BUSHING, 1/2 ID X 5/8 OD X 5/8	2
18	40.0314	IDLER ARM, AUGER DRIVE	1
19	99.SF06	NUT, SF 3/8-16 USS	1
20	95.06	WASHER, FLAT 3/8 SAE	12
21	83.0040	PULLEY, IDLER FLAT 5" PLAIN	1
22	90.0616	BOLT, 3/8-16 USS X 2	1
23	90.0418	BOLT, 1/4-20 USS X 2 1/4	3
24	99.SF04	NUT, SF 1/4-20 USS	6
25	62.1274	FRAME, MAIN KX522	1
26	29.0090	PIPE, BREATHER PLUG 1/8	1
27	85.K0408	KEY, 1/4 X 1	2
28	83.SH16	BUSHING, 1" SH.	1
29	83.2B36SH	PULLEY, 2 B 3.6" 2-GROOVE	1
30	90.0416	BOLT, 1/4-20 USS X 2	3
31	87.0219	GEARBOX, CW/CCW 1" SHAFT 2:1	1
32	83.BK80H	PULLEY, 8" H-BUSH	1
33	83.H16S	BUSHING, 1" SPLIT 1/4" KEY	1
34	90.0406	BOLT, 1/4-20 USS X 3/4	2
35	96.06	WASHER, LOCK 3/8	4
36	90.0608	BOLT, 3/8-16 USS X 1	4
37	99.SF0506	BOLT, SF 5/16-18 USS X 3/4	6
38	60.0873	GUIDE, THROAT	1
39	99.SF05	NUT, SF 5/16-18 USS	8
40	90.0814	BOLT, 1/2-13 USS X 1 3/4	4
41	60.0982	SHIELD, STUB SHAFT	1
42	99.SF0504	BOLT, SF 5/16-18USS X 1/2	2
43	64.1283	BRACKET, AUGER INSTALL ACCESS	1
44	29.B0204G	PIPE, BUSHING 1/8 X 1/4 GALV.	1

PARTS

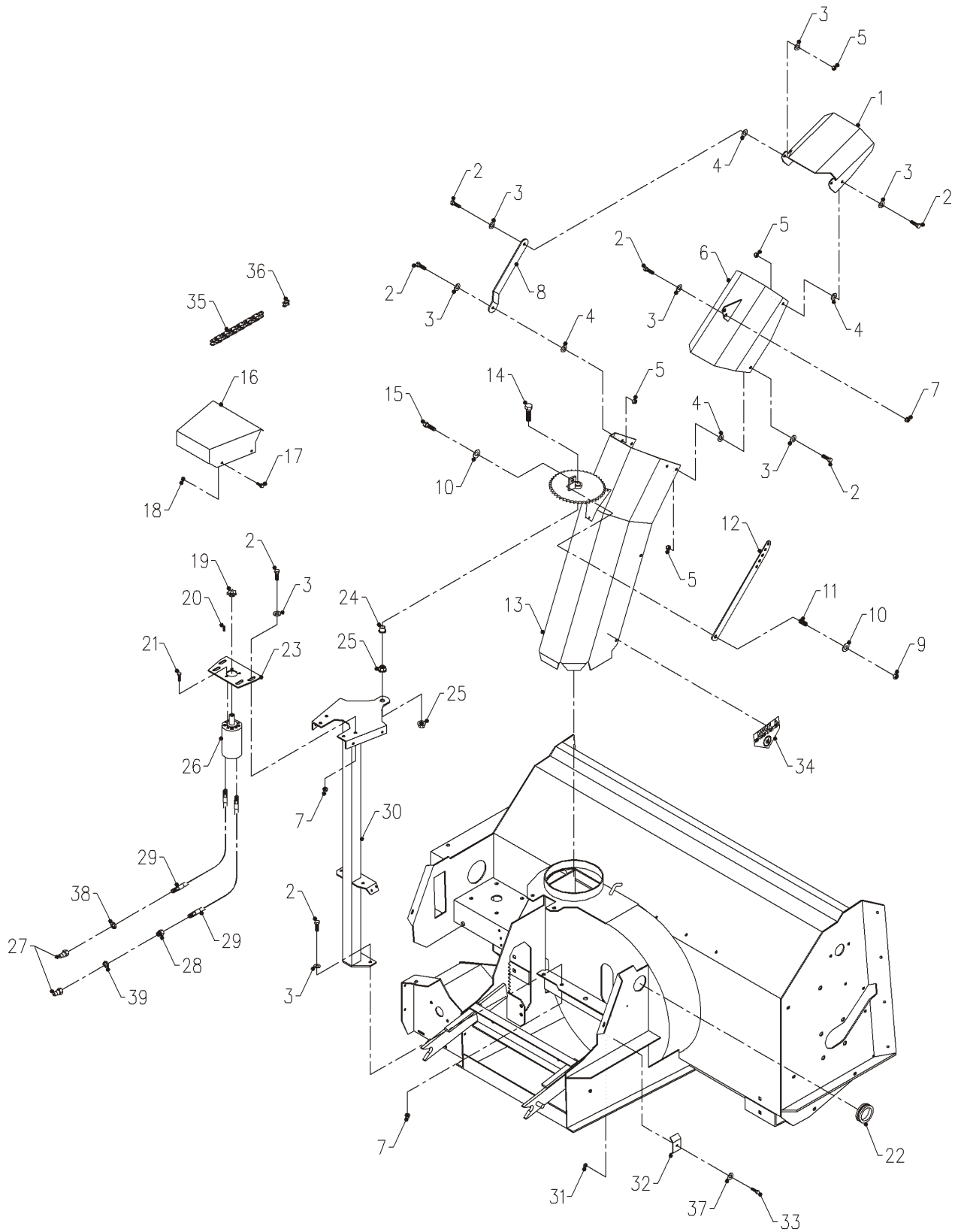
MAIN DRIVE & FAN DRIVE

REF.	PART NO.	DESCRIPTION	QTY.
1	90.0610	BOLT, 3/8-16 USS X 1 1/4	3
2	83.Q123	BUSHING, 1 7/16" Q1	2
3	80.0344	BLOWER, SNOWBLOWER	1
4	99.SF04	NUT, SF 1/4-20 USS	8
5	99.SF08	NUT, SF 1/2-13 USS	8
6	95.08	WASHER, FLAT 1/2 SAE	8
7	41.0066	SPRING, SINGLE TORSION LH	2
8	85.B0027	BUSHING, 1/2 ID X 5/8 OD X 5/8	4
9	40.0312	IDLER ARM, GEAR BOX KX	1
10	90.0824	BOLT, 1/2-13 USS X 3	2
11	90.0612	BOLT, 3/8-16 USS X 1 1/2	5
12	83.0037	PULLEY, IDLER FLAT 4" X 3/8	2
13	95.06	WASHER, FLAT 3/8 SAE	2
14	99.SF05	NUT, SF 5/16-18 USS	4
15	90.0406	BOLT, 1/4-20 USS X 3/4	4
16	83.H16S	BUSHING, 1" SPLIT 1/4" KEY	2
17	83.2BK32H	PULLEY, 2BK 3.2" H-BUSH	1
18	55.FB16016-1	BEARING, FLANGE BLOCK 1"	2
19	90.0410	BOLT, 1/4-20 USS X 1 1/4	3
20	85.K0408	KEY, 1/4 X 1	2
21	80.0345	JACKSHAFT, 1" TGP X 13-1/4 KX	1
22	81.B035	BELT, B35	1
23	99.SF0508	BOLT, SF 5/16-18 USS X 1	4
24	83.BK75H	PULLEY, 7.5"	1
25	81.B050	BELT, B50	1
26	40.0313	IDLER ARM, FAN DRIVE KX	1
27	90.0414	BOLT, 1/4-20 USS X 1 3/4	1
28	81.B055	BELT, B55	1
29	90.0816	BOLT, 1/2-13 USS X 2	4
30	90.0606	BOLT, 3/8-16 USS X 3/4	4
31	95.06	WASHER, FLAT 3/8 SAE	4
32	64.1085	SUPPORT, BLOWER BEARING KX	1
33	99.SF06	NUT, SF 3/8-16 USS	6
34	55.PB22023	BEARING, PILLOW BLOCK 1 7/16	2
35	83.TB124	PULLEY	1
36	80.0346	SHAFT, THROWER FAN	1
37	85.K0610	KEY, 3/8 X 1 1/4	2
38	64.1099	PLATE, BEARING REINFORCEMENT	2
39	64.1100	BUSHING, 1-1/2 X 2 X 7/8	1
40	99.B0031	WASHER, MACH 1 1/2 14GA	A/R*
41	99.B0054	WASHER, MACH 1 1/2 10GA	A/R*
42	64.1249	SHIM, BEARING KX/LX	A/R*

* as required.

PARTS

ILLUSTRATED DRAWING CHUTE & HYDRAULICS



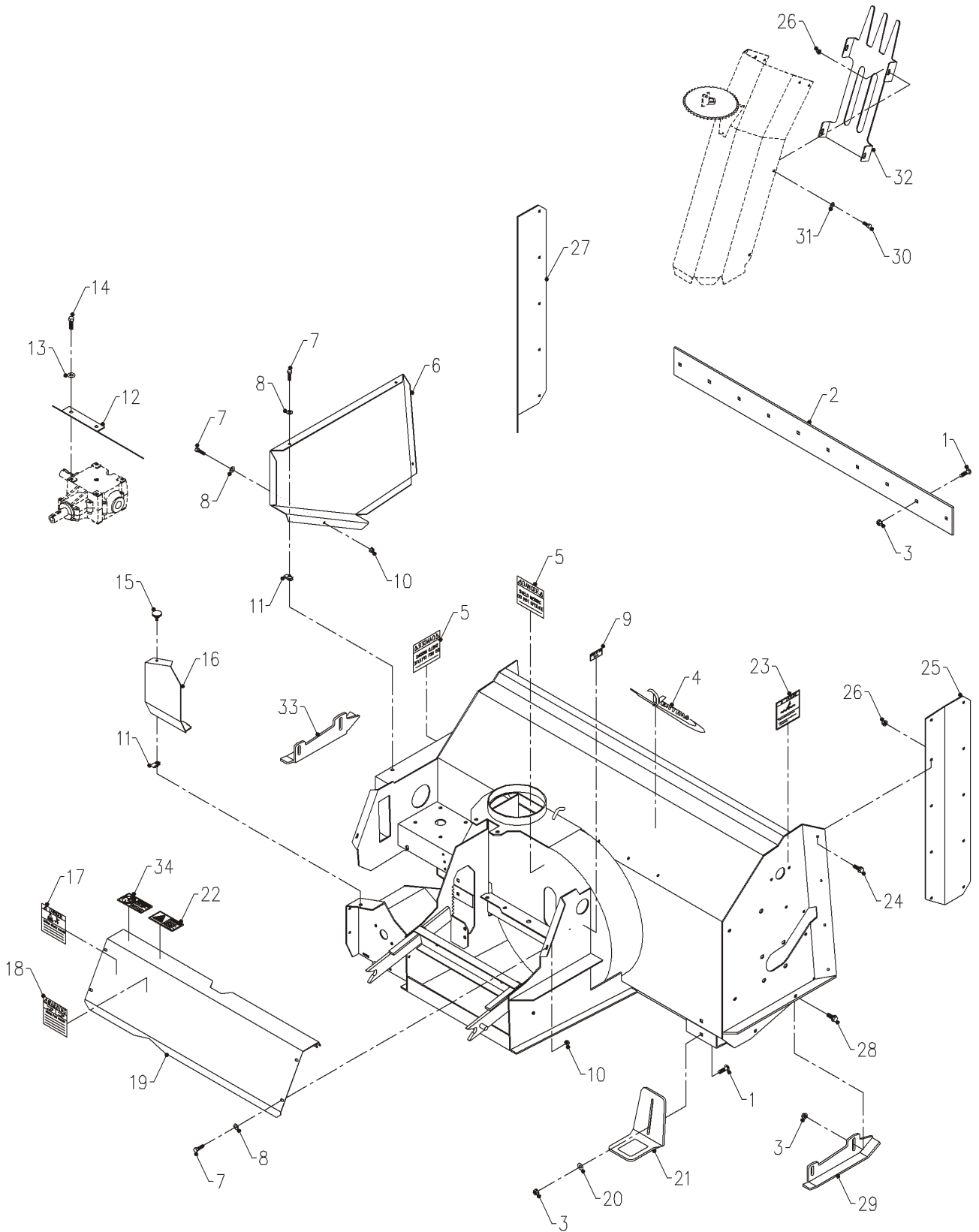
PARTS

CHUTE & HYDRAULICS

REF.	PART NO.	DESCRIPTION	QTY.
1	62.0992	CHUTE, FINAL EXT. SNOWBLOWER	1
2	90.0506	BOLT, 5/16-18 USS X 3/4	17
3	95.05	WASHER, FLAT 5/16 SAE	17
4	05.0055	WASHER, NYLON .34 X .74 X .062	8
5	99.A05	LOCKNUT, STOVER 5/16-18 USS	8
6	62.0991	CHUTE, MIDDLE SNOWBLOWER	1
7	99.SF05	NUT, SF 5/16-18 USS	9
8	42.0461	LINK, CHUTE CONTROL	2
9	99.A06	LOCKNUT, STOVER 3/8-16 USS	1
10	95.06	WASHER, FLAT 3/8 SAE	2
11	41.0039	SPRING, COMP. 9/16 OD X 5/8	1
12	42.0462	LINK, CHUTE ADJUSTMENT	1
13	62.0990	CHUTE, MAIN SNOWBLOWER KX520	1
14	90.0816	BOLT, 1/2-13 USS X 2	1
15	90.0612	BOLT, 3/8-16 USS X 1 1/2	1
16	60.0872	SHIELD, ROTATOR CHAIN COVER	1
17	99.SF0404-1	BOLT, SF 1/4-20 X 1/2 W/RUBBER	4
18	99.SF04	NUT, SF 1/4-20 USS	4
19	83.H409	SPROCKET, #40 9-T HRD 5/8 BORE	1
20	85.K0307	KEY, 3/16 X 5/8	1
21	91.0404	BOLT, 1/4-28 SAE X 1/2	3
22	05.0040	GROMMET, 1 1/2ID, 2-3/8OD, 3/32T	1
23	62.1000	MOUNT, MOTOR HYD.	1
24	85.B0027	BUSHING, 1/2 ID X 5/8 OD X 5/8	1
25	99.SF08	NUT, SF 1/2-13 USS	2
26	21.0113	MOTOR, HYD PEERLESS 1.93 CU.IN	1
27	23.0104	COUPLER, HYD. QUICK MALE 1/4	2
28	29.0092	FITTING, .025 ORIFICE 1/4 PIPE	1
29	20.0210	HOSE, ASM C 1/4 X 78"-2750	2
30	62.0993	POST, CHUTE MOUNT	1
31	99.A04	LOCKNUT, STOVER 1/4-20 USS	1
32	64.0673	CLAMP, HYD. HOSE 3/8-1/4	1
33	90.0410	BOLT, 1/4-20 USS X 1 1/4	1
34	00.0123	DECAL, KEEP HAND AND FEET AWAY	2
35	81.0147	CHAIN, ROLLER #40 X 30-7/8 SS	1
36	81.0056-1	LINK, CONN. #40 SS	1
37	95.04	WASHER, FLAT 1/4 SAE	1
38	05.0117	WASHER, .544ID x .817 x.14 YEL	1
39	05.0116	WASHER, .544ID x .817 x.14 RED	1

PARTS

ILLUSTRATED DRAWING SHIELDS, DECALS, & CUTTING EDGE



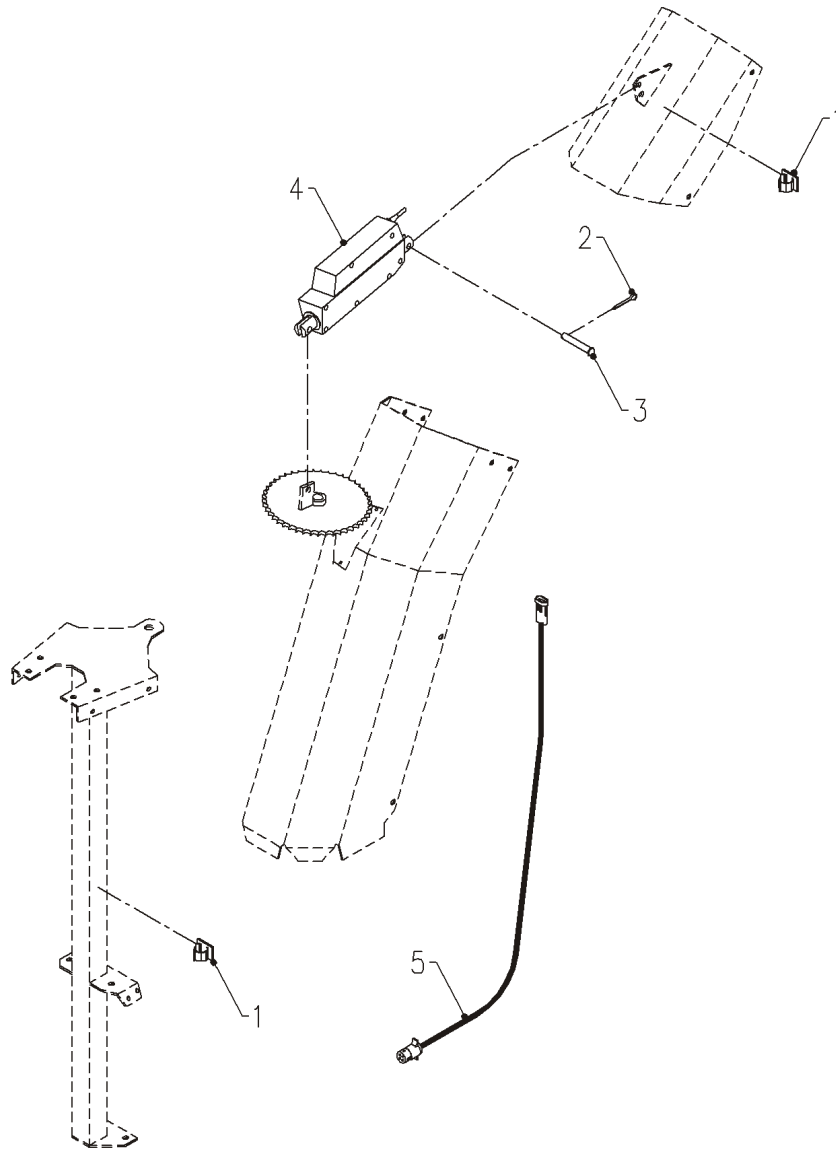
PARTS

SHIELDS, DECALS, & CUTTING EDGE

REF.	PART NO.	DESCRIPTION	QTY.
1	97.0608	BOLT, CARRIAGE 3/8 X 1	14
2	78.0054	CUTTING EDGE, 47" THRU HARD	1
3	99.SF06	NUT, SF 3/8-16 USS	18
4	00.0189	DECAL, VENTRAC ORBITAL	1
5	00.0062	DECAL, DANGER SHIELD MISSING	2
6	60.0868	SHIELD, AUGER DRIVE BELT	1
7	90.0406	BOLT, 1/4-20 USS X 3/4	8
8	95.04	WASHER, FLAT 1/4 SAE	8
9	00.0100	DECAL, MADE IN USA	1
10	99.SF04	NUT, SF 1/4-20 USS	5
11	99.E0046	NUT, "U" 1/4-20 EXTRUDED	4
12	60.0870	SHIELD, GEARBOX DRIVE	1
13	95.06	WASHER, FLAT 3/8 SAE	2
14	90.0606	BOLT, 3/8-16 USS X 3/4	2
15	47.0167	KNOB, 1/4-20 X 1-1/4 DIA BLK	1
16	60.0869	COVER, DRIVE PULLEY KX	1
17	00.0122	DECAL, THROWN OBJECT HAZARD	1
18	00.0101	DECAL, HAZARD-MOVING PART	1
19	60.0871	COVER, GEAR BOX/FAN BELT KX	1
20	94.05	WASHER, FLAT 5/16 USS	4
21	64.1087	SHOE, SKID KX/LX	2
22	00.0220	DECAL, GENERAL SAFETY	1
23	00.0208	DECAL, DANGER AUGER HAZARD	2
24	99.SF0506	BOLT, SF 5/16-18 USS X 3/4	8
25	60.0983	CUTTING EDGE, VERTICAL RIGHT	1
26	99.SF05	NUT, SF 5/16-18 USS	12
27	60.0878	CUTTING EDGE, VERTICAL LEFT	1
28	99.SF0606	BOLT, SF 3/8-16 USS X 3/4	4
29	60.0981	WEAR EDGE, AUGER HOUSING KX522	1
30	90.0506	BOLT, 5/16-18 USS X 3/4	4
31	95.05	WASHER, FLAT 5/16 SAE	4
32	60.0885	GUARD, SNOWBLOWER CHUTE	1
33	60.0984	WEAR EDGE, AUGER HOUSING LEFT	1
34	00.0217	DECAL, WARNING READ OWNERS MAN	1

PARTS/OPTIONS

ILLUSTRATED DRAWING 12 VOLT ACTUATOR DEFLECTOR CONTROL



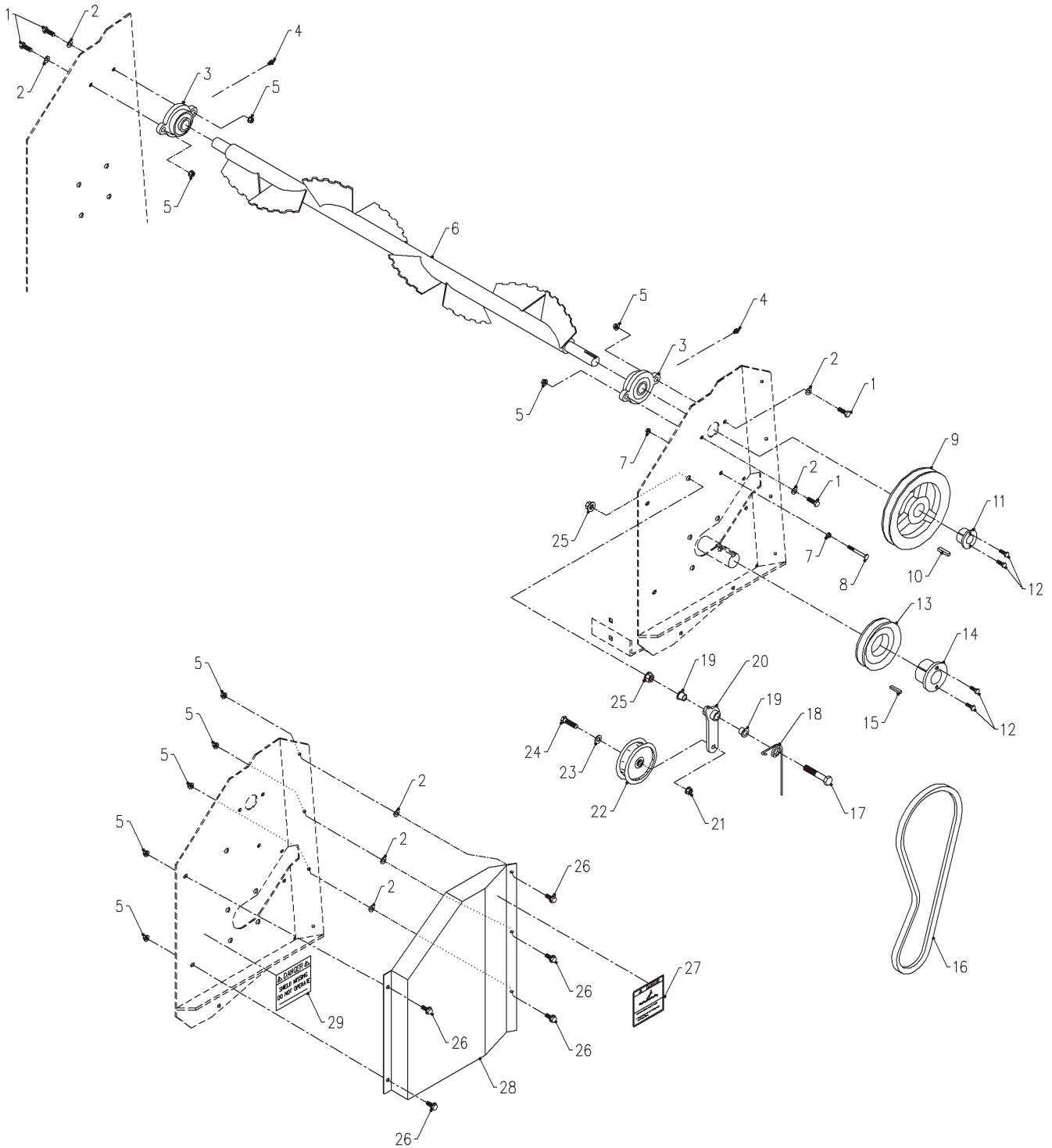
PARTS/OPTIONS

12 VOLT ACTUATOR DEFLECTOR CONTROL

REF.	PART NO.	DESCRIPTION	QTY.
1	30.0226	CLAMP, WIRE MT ADH. 3/8 GRAY	2
2	02.CP0306	COTTER PIN, 3/32 X 3/4	2
3	03.0610	CLEVIS PIN, 3/8 X 1 1/4 ZP	2
4	70.8025	KIT, 12V ACTUATOR, HB/KX	1
5	32.0074	HARNESS, 12 V ACTUATOR HB/KX	1

PARTS/OPTIONS

ILLUSTRATED DRAWING TOP AUGER



PARTS/OPTIONS

TOP AUGER

REF.	PART NO.	DESCRIPTION	QTY.
1	90.0508	BOLT, 5/16-18 USS X 1	4
2	95.05	WASHER, FLAT 5/16 SAE	7
3	55.FB16016-1	BEARING, FLANGE BLOCK 1"	2
4	29.GF0001	GREASE FTG, 1/4 SAE ST	2
5	99.SF05	NUT, SF 5/16-18 USS	9
6	80.0370	AUGER, ASM DEEP SNOW	1
7	99.SF04	NUT, SF 1/4-20 USS	2
8	90.0418	BOLT, 1/4-20 USS X 2 1/4	1
9	83.BK70H	PULLEY, 7" H-BUSH	1
10	85.K0408	KEY, 1/4 X 1	1
11	83.H16S	BUSHING, 1" SPLIT 1/4" KEY	1
12	90.0406	BOLT, 1/4-20 USS X 3/4	4
13	83.BK36H	PULLEY, 3.6" H-BUSH	1
14	83.H23	BUSHING, 1 7/16" H	1
15	85.K030410	KEY, 3/16 X 1/4 X 1-1/4	1
16	81.B040	BELT, B40	1
17	90.0822	BOLT, 1/2-13 USS X 2 3/4	1
18	41.0083	SPRING, TORSION RH 1-3/16 IDX7	1
19	85.B0027	BUSHING, 1/2 ID X 5/8 OD X 5/8	2
20	40.0348	IDLER ARM, TOP AUGER DRIVE BLT	1
21	99.SF06	NUT, SF 3/8-16 USS	1
22	83.0037	PULLEY, IDLER FLAT 4" X 3/8	1
23	95.06	WASHER, FLAT 3/8 SAE	1
24	90.0612	BOLT, 3/8-16 USS X 1 1/2	1
25	99.SF08	NUT, SF 1/2-13 USS	2
26	99.SF0506	BOLT, SF 5/16-18 USS X 3/4	5
27	00.0208	DECAL, DANGER AUGER HAZARD	1
28	60.0990	SHIELD, TOP AUGER DRIVE BELT	1
29	00.0062	DECAL, DANGER SHIELD MISSING	1