



**OPERATOR'S MANUAL
& PARTS DRAWINGS**

**WEATHER CAB
MODEL LW350**



Revised 01/20/20
09.10052 Rev. 03



328 East Water St.
PO Box 148
Orrville Oh 44667
www.ventrac.com

To the Owner
Contact Information and Product Identification

If you need to contact an authorized Ventrac dealer for information on servicing your product, always provide the product model and serial numbers.

Please fill in the following information for future reference. See the picture(s) below to find the location of the identification numbers. Record them in the spaces provided.

Date of Purchase: _____

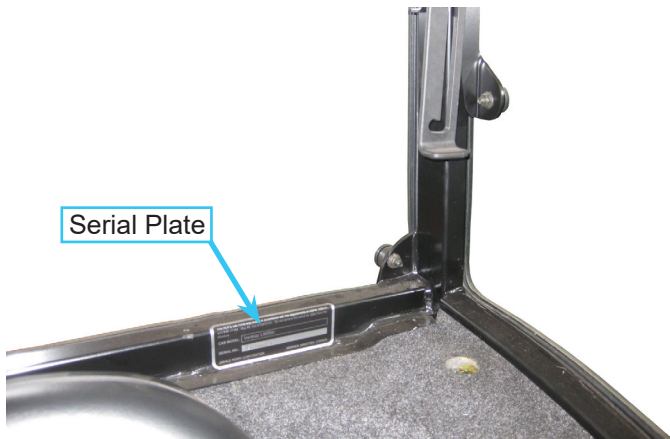
Dealer: _____

Dealer Address: _____

Dealer Phone Number: _____

Dealer Fax Number: _____

Model # (A): _____
Serial # (B): _____



Venture Products Inc. reserves the right to make changes in design or specifications without obligation to make like changes on previously manufactured products.

TABLE OF CONTENTS

INTRODUCTION	PAGE 4
Product Description.....	4
Why Do I Need an Operator's Manual?	4
Using Your Manual.....	5
Manual Glossary	5
SAFETY	PAGE 6
Safety Decals	6
General Safety Procedures.....	8
Training Required.....	8
Personal Protective Equipment Requirements	8
Operating Safely	8
Preventing Accidents.....	9
Keep Riders Off.....	9
Operating On Slopes.....	10
Roadway Safety	10
Truck Or Trailer Transport.....	10
Maintenance.....	11
Fuel Safety	11
Hydraulic Safety	12
LW350 SETUP INSTRUCTIONS	PAGE 14
Identification of Parts.....	14
Setup Instructions for Power Unit & Weather Cab	16
GENERAL OPERATION	PAGE 21
Daily Inspection.....	21
Door (Opening, Locking, & Unlocking).....	21
Escape Window	21
Rear Side Windows.....	21
Interior Light	21
Windshield Wiper	21
Front Work Lights	22
Rear Work Light	22
Heater/Pressurizing Fan	22
SERVICE	PAGE 23
Cleaning and General Maintenance.....	23
Window Latch Adjustment.....	23
Door Latch Lubrication	23
Door Latch Adjustment.....	23
Wiper Blade Replacement	23
Heater Air Filter Replacement.....	23
Fuse Replacement.....	24
Interior Light Bulb Replacement.....	24
Work Light Bulb Replacement.....	24
Turn Signal Bulb Replacement	25
Strobe Beacon Bulb Replacement.....	25
Storage.....	25

TABLE OF CONTENTS

SPECIFICATIONS	PAGE 27
Dimensions	27
Features	27
PARTS	PAGE 28
ROPS Mounting Assembly	28
Escape Window Assembly	29
Door Assembly	30
Side Opening Window Assembly (Left & Right)	31
Front Glass & Seat Belt Assembly	32
Fixed Glass & Right Side Parts	33
Left Side Parts	34
Headliner Assembly	35
Left & Right Switch Plates	36
70.2005-1 Work Light Kit	37
70.2005-2 Directional Signal/Flasher Kit	38
70.2005-3 Strobe Beacon Kit	39
70.2005-4 Exterior Mirror Kit	40
70.2005-6 Defrost Fan kit	41
Console Fan/Heater	42
Heater Hoses To Engine	43
WARRANTY	PAGE 44

INTRODUCTION



Venture Products Inc. is pleased to provide you with your new Ventrac LW350 weather cab! We hope that Ventrac equipment will provide you with a ONE Tractor Solution.

Listed below are just some of the items that can provide you *versatility* as you use your LW350 weather cab. Please visit our web site, or contact your authorized Ventrac dealer for a complete list of items available for your new LW350 weather cab.

Accessories	Item Description	Part Number
	LW350 Work Lights Kit	70.2005-1
	Directional Signal/Flasher Kit	70.2005-2
	LW350 Strobe Beacon Kit	70.2005-3
	LW350 Exterior Mirror Kit	70.2005-4
	LW350 Console Fan/Heater Kit	70.2005-51
	LW350 Defrost Fan Kit	70.2005-6

Product Description

The LW350 weather cab was designed for the sole purpose of sheltering the operator from the weather while providing superior visibility. Standard features include a front windshield wiper, large left-side entry door, right-side emergency exit, seat belt, and an interior light.

Optional accessories include a strobe light, work lights, directional lights, defrost fan, and heater kit. Refer to your national and/or local regulations for lighting requirements specific to your intended application.

Why Do I Need an Operator's Manual?

This manual has been created to help you gain the important knowledge of what is needed to safely operate, maintain, and service your machine. It is divided into sections for convenient reference of the appropriate section.

You must read and understand the operator's manual for each piece of Ventrac equipment you own. Reading the operator's manual will help you become familiar with each specific piece of equipment. Understanding the operator's manual will help you, as well as others, avoid personal injury and/or damage to the equipment. Keep this manual with the machine at all times. The manual should remain with the machine even if it is sold. If this manual becomes damaged or unreadable, it should be replaced immediately. Contact your local Ventrac dealer for a replacement.

When using a Ventrac attachment, be sure to read and follow the safety and operating instructions of both the power unit and the attachment being used to ensure the safest operation possible.

The information in this manual provides the operator with the safest procedures to operate the machine while getting the maximum use out of the unit. Failure to follow the safety precautions listed in this manual may result in personal injury and/or damage to the equipment.

INTRODUCTION

Using Your Manual

Throughout this manual, you will encounter special messages and symbols that identify potential safety concerns to help you as well as others avoid personal injury or damage to the equipment.

SYMBOL DEFINITIONS



ATTENTION

This symbol identifies potential health and safety hazards. It marks safety precautions. Your safety and the safety of others is involved.

There are three signal words that describe the level of safety concern: Danger, Warning, and Caution. Safety should always be the #1 priority when working on or operating equipment. Accidents are more likely to occur when proper operating procedures are not followed or inexperienced operators are involved.

Note: Right-Hand and Left-Hand orientations may be referred to at different places throughout this manual. Right-Hand and Left-Hand is determined as if sitting on the power unit seat facing forward.

SIGNAL WORD DEFINITIONS

⚠ DANGER

Indicates an imminently hazardous situation which, if not avoided, will result in death or serious injury. This signal word is limited to the most extreme cases.

⚠ WARNING

Indicates a potentially hazardous situation which, if not avoided, could result in death or serious injury.

⚠ CAUTION

Indicates a potentially hazardous situation which, if not avoided, may result in minor or moderate injury and/or property damage. It may also be used to alert against unsafe practices.

Manual Glossary

Power Unit A Ventrac tractor or other Ventrac engine powered device that may be operated by itself or with an attachment or accessory.

Attachment A piece of Ventrac equipment that requires a Power Unit for operation.

Accessory A device that attaches to a Power Unit or Attachment to extend its capabilities.

Machine Describes any "Attachment" or "Accessory" that is used in conjunction with a power unit.

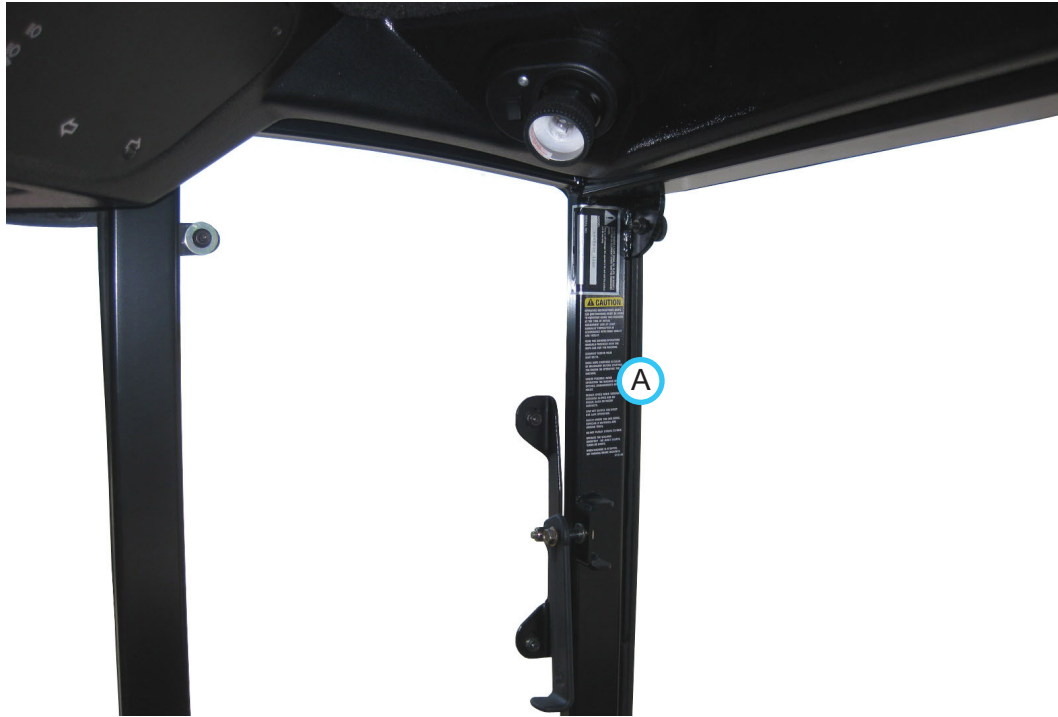
SAFETY

Safety Decals

The following safety decals must be maintained on your LW350 weather cab.

Keep all safety decals legible. Remove all grease, dirt, and debris from safety decals and instructional labels. If any decals are faded, illegible, or missing, contact your dealer promptly for replacements.

When new components are installed, be sure that current safety decals are affixed to the replacement components.



SAFETY

A

CAUTION

OPERATING INSTRUCTIONS (ROPS CAB AND MACHINE) MUST BE GIVEN TO EVERYONE USING THIS MACHINE AT THE TIME OF INITIAL ASSIGNMENT AND AT LEAST ANNUALLY THEREAFTER IN ACCORDANCE WITH OSHA 1928.51 AND 1928.57.

READ THE OWNERS/OPERATORS MANUALS PROVIDED WITH THE ROPS CAB AND THE MACHINE.

SECURELY FASTEN YOUR SEAT BELTS.

MAKE SURE EVERYONE IS CLEAR OF MACHINERY BEFORE STARTING THE ENGINE OR OPERATING THE MACHINE.

WHERE POSSIBLE AVOID OPERATING THE MACHINE NEAR DITCHES, EMBANKMENTS, OR HOLES.

REDUCE SPEED WHEN TURNING, CROSSING SLOPES, AND ON ROUGH, SLICK, OR MUDDY SURFACES.

STAY OFF SLOPES TOO STEEP FOR SAFE OPERATION.

WATCH WHERE YOU ARE GOING, ESPECIALLY ON ROADS AND AROUND TREES.

DO NOT PERMIT OTHERS TO RIDE.

OPERATE THE MACHINE SMOOTHLY - NO JERKY STARTS, TURNS, OR STOPS.

WHEN MACHINE IS STOPPED, SET PARKING BRAKE SECURELY.

S1G160

B

WARNING

AVOID POSSIBLE INJURY OR DEATH FROM IMPROPER MOUNTING OR MAINTENANCE OF ROPS CAB.

IF THE MACHINE IS NOT EQUIPPED WITH SEAT BELTS, FACTORY APPROVED SEAT BELTS MUST BE INSTALLED PRIOR TO OPERATING.

ALWAYS FASTEN SEAT BELTS WHEN OPERATING MACHINE EQUIPPED WITH ROLLOVER PROTECTIVE STRUCTURE.


THIS ROLLOVER PROTECTIVE STRUCTURE DESIGN MEETS PERFORMANCE CRITERIA FOR ROPS STANDARDS LISTED ON ROPS SERIAL NO. PLATE, WHEN INSTALLED IN ACCORDANCE WITH JODALE PERRY CORPORATION MOUNTING INSTRUCTIONS.

THE PROTECTION AFFORDED MAY BE IMPAIRED IF IT HAS BEEN SUBJECTED TO ALTERATION, STRUCTURAL DAMAGE, OR INVOLVED IN AN OVERTURN ACCIDENT. IN THESE CASES THE ENTIRE STRUCTURE MUST BE REPLACED.

S1G161

C

WARNING



TO PREVENT POSSIBLE HEARING LOSS

WEAR EAR PROTECTION IF THIS MACHINE IS OPERATED FOR PERIODS MORE THAN 4 HOURS.

S1G148

Decal	Description	Part Number	Quantity
A	Caution, General Instructions	07.010023	1
B	Warning, ROPS Safety	07.010024	1
C	Warning, Hearing Protection	07.010025	1

SAFETY



General Safety Procedures for Ventrac Power Units, Attachments, & Accessories



Training Required

- The owner of this machine is solely responsible for properly training the operators.
- The owner/operator is solely responsible for the operation of this machine and prevention of accidents or injuries occurring to him/herself, other people, or property.
- Do not allow operation or service by children or untrained personnel. Local regulations may restrict the age of the operator.
- Before operating this machine, read the operator's manual and understand its contents.
- If the operator of the machine cannot understand this manual, then it is the responsibility of this machine's owner to fully explain the material within this manual to the operator.
- Learn and understand the use of all controls.
- Know how to stop the power unit and all attachments quickly in the event of an emergency.



Personal Protective Equipment Requirements

It is the responsibility of the owner to be sure that the operators use the proper personal protective equipment while operating the machine. Required personal protective equipment includes, but is not limited to, the following list.



- Wear a certified ear protection device to prevent loss of hearing.
- Prevent eye injury by wearing safety glasses while operating the machine.
- Closed toe shoes must be worn at all times.
- Long pants must be worn at all times.
- When operating in dusty conditions, it is recommended that a dust mask be worn.

Operation Safety

- Inspect machine before operation. Repair or replace any damaged, worn, or missing parts. Be sure guards and shields are in proper working condition and are secured in place. Make all necessary adjustments before operating machine.
- Some pictures in this manual may show shields or covers opened or removed in order to clearly illustrate any instructions. Under no circumstance should the machine be operated without these devices in place.
- Alterations or modifications to this machine can reduce safety and could cause damage to the machine. Do not alter safety devices or operate with shields or covers removed.
- Before each use, verify that all controls function properly and inspect all safety devices. Do not operate if controls or safety devices are not in proper working condition.
- Check parking brake function before operating. Repair or adjust parking brake if necessary.
- Observe and follow all safety decals.
- All controls are to be operated from the operator's station only.
- Always wear a seat belt if the machine has a roll cage/bar installed and in upright position.
- Ensure the attachment or accessory is locked or fastened securely to the power unit before operating.
- Ensure that all bystanders are clear of the power unit and attachment before operating. Stop machine if someone enters your work area.
- Always be alert to what is happening around you, but do not lose focus on the task you are performing. Always look in the direction the machine is moving.
- Look behind and down before backing up to be sure of a clear path.
- If you hit an object, stop and inspect the machine. Make all necessary repairs before operating machine again.
- Stop operation immediately at any sign of equipment failure. An unusual noise can be a warning of equipment failure or a sign that maintenance is required. Make all necessary repairs before operating machine again.

SAFETY



General Safety Procedures for Ventrac Power Units, Attachments, & Accessories



Operation Safety (continued)

- If equipped with a high/low range feature, never shift between high and low range while on a slope. Always move the machine to level ground and engage the parking brake before shifting range.
- Do not leave machine unattended while it is running.
- Always park the machine on level ground.
- Always shut off engine when connecting attachment drive belt to the power unit.
- Never leave the operator's station without lowering the attachment to the ground, setting the parking brake, shutting off the engine, and removing the ignition key. Make sure all moving parts have come to a complete stop before dismounting.
- Never leave equipment unattended without lowering the attachment to the ground, setting the parking brake, shutting off the engine, and removing the ignition key.
- Only operate in well-lit conditions.
- Do not operate when there is a risk of lightning.
- Never direct the discharge of any attachment in the direction of people, buildings, animals, vehicles, or other objects of value.
- Never discharge material against a wall or obstruction. Material may ricochet back towards the operator.
- Use extra caution when approaching blind corners, shrubs, trees, or other objects that may obscure vision.
- Do not run the engine in a building without adequate ventilation.
- Do not touch the engine or the muffler while the engine is running or immediately after stopping the engine. These areas may be hot enough to cause a burn.
- Do not change the engine governor settings or over-speed the engine. Operating engine at excessive speed may increase the hazard of personal injury.
- To reduce the hazard of fire, keep the battery compartment, engine, and muffler areas free of grass, leaves, excessive grease, and other flammable materials.

Preventing Accidents

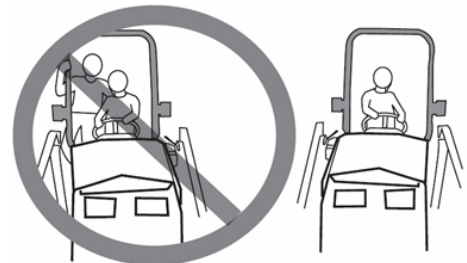


- Clear working area of objects that might be hit or thrown from machine.
- Keep people and pets out of working area.
- Know the work area well before operation. Do not operate where traction or stability is questionable.
- Reduce speed when you are operating over rough ground.
- Equipment can cause serious injury and/or death when improperly used. Before operating, know and understand the operation and safety of the power unit and the attachment being used.

- Do not operate machine if you are not in good physical and mental health, if you will be distracted by personal devices, or are under the influence of any substance which might impair decision, dexterity, or judgment.
- Children are attracted to machine activity. Be aware of children and do not allow them in the working area. Turn off the machine if a child enters the work area.

Keep Riders Off

- Only allow the operator on the power unit. Keep riders off.
- Never allow riders on any attachment or accessory.



SAFETY

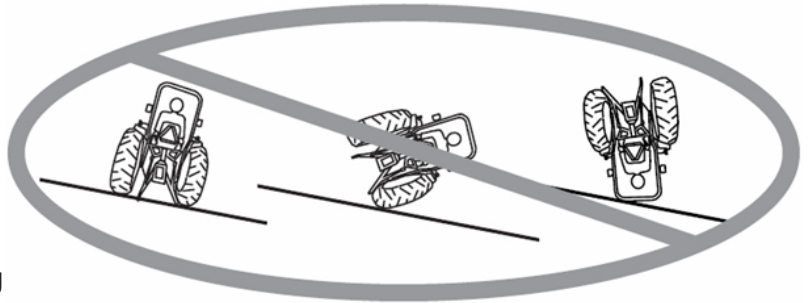


General Safety Procedures for Ventrac Power Units, Attachments, & Accessories



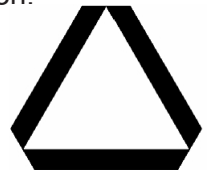
Operating On Slopes

- Slopes can cause loss-of-control and tip-over accidents, which can result in severe injury or death. Be familiar with the emergency parking brake, along with the power unit controls and their functions.
- If power unit is equipped with a fold down roll bar, it must be locked in the upright position when operating on any slope.
- Use low range (if equipped) when operating on slopes greater than 15 degrees.
- Do not stop or start suddenly when operating on slopes.
- Never shift between high and low range while on a slope. Always move the power unit to level ground and engage the parking brake before shifting range or placing the power unit in neutral.
- Variables such as wet surface and loose ground will reduce the degree of safety. Do not drive where machine could lose traction or tip over.
- Keep alert for hidden hazards in the terrain.
- Stay away from drop-offs, ditches, and embankments.
- Sharp turns should be avoided when operating on slopes.
- Pulling loads on hills decreases safety. It is the responsibility of the owner/operator to determine loads that can safely be controlled on slopes.
- Transport machine with attachment lowered or close to the ground to improve stability.
- While operating on slopes, drive in an up and down direction when possible. If turning is necessary while driving across slopes, reduce speed and turn slowly in the downhill direction.
- Assure a sufficient supply of fuel for continuous operation. A minimum of one-half tank of fuel is recommended.



Roadway Safety

- Operate with safety lights when operating on or near roadways.
- Obey all state and local laws concerning operation on roadways.
- Slow down and be careful of traffic when operating near or crossing roadways. Stop before crossing roads or sidewalks. Use care when approaching areas or objects that may obscure vision.
- If there is doubt of safety conditions, discontinue machine operation until a time when operation can be performed safely.
- When operating near or on roadways, have a Slow Moving Vehicle Emblem clearly displayed.



Truck Or Trailer Transport

- Use care when loading or unloading machine into a truck or trailer.
- Use full width ramps for loading machine into a truck or trailer.
- The parking brake is not sufficient to lock the machine during transport. Always secure the power unit and/or attachment to the transporting vehicle securely using straps, chains, cable, or ropes. Both front and rear straps should be directed down and outward from the machine.
- Shut off fuel supply to power unit during transport on truck or trailer.
- If equipped, turn the battery disconnect switch to the Off position to shut off electrical power.

SAFETY



General Safety Procedures for Ventrac Power Units, Attachments, & Accessories



Maintenance

- Keep all safety decals legible. Remove all grease dirt, and debris from safety decals and instructional labels.
- If any decals are faded, illegible, or missing, contact your dealer promptly for replacements.
- When new components are installed, be sure that current safety decals are affixed to the replacement components.
- If any component requires replacement, use only original Ventrac replacement parts.
- Always turn the battery disconnect to the Off position or disconnect the battery before performing any repairs. Disconnect the negative terminal first and the positive terminal last. Reconnect the positive terminal first and the negative terminal last.
- Keep all bolts, nuts, screws, and other fasteners properly tightened.
- Always lower the attachment to the ground, engage parking brake, shut off engine, and remove the ignition key. Make sure all moving parts have come to a complete stop before cleaning, inspection, adjusting or repairing.
- If the power unit, attachment, or accessory requires repairs or adjustments not instructed in the operator's manual, the power unit, attachment, or accessory must be taken to an authorized Ventrac dealer for service.
- Never perform maintenance on the power unit and/or attachment if someone is in the operator's station.
- Always use protective glasses when handling the battery.
- Check all fuel lines for tightness and wear on a regular basis. Tighten or repair them as needed.
- To reduce the hazard of fire, keep the battery compartment, engine, and muffler areas free of grass, leaves, and excessive grease.
- Do not touch the engine, the muffler, or other exhaust components while the engine is running or immediately after stopping the engine. These areas may be hot enough to cause a burn.
- Allow the engine to cool before storing and do not store near an open flame.
- Do not change the engine governor settings or over-speed the engine. Operating engine at excessive speed may increase the hazard of personal injury.
- Springs may contain stored energy. Use caution when disengaging or removing springs and/or spring loaded components.
- An obstruction or blockage in a drive system or moving/rotating parts may cause a buildup of stored energy. When the obstruction or blockage is removed, the drive system or moving/rotating parts may move suddenly. Do not attempt to remove an obstruction or blockage with your hands. Keep hands, feet, and clothing away from all power-driven parts.
- Dispose of all fluids in accordance with local laws.

Fuel Safety



- To avoid personal injury or property damage, use extreme care in handling gasoline. Gasoline is extremely flammable and the vapors are explosive.
- Do not refuel machine while smoking or at a location near flames or sparks.
- Always refuel the machine outdoors.
- Do not store machine or fuel container indoors where fumes or fuel can reach an open flame, spark, or pilot light.
- Only store fuel in an approved container. Keep out of reach of children.
- Never fill containers inside a vehicle or on a truck or trailer bed with a plastic liner. Always place containers on the ground away from your vehicle before filling.
- Remove machine from the truck or trailer and refuel it on the ground. If this is not possible, refuel the machine using a portable container, rather than from a fuel dispenser nozzle.
- Never remove fuel cap or add fuel with the engine running. Allow engine to cool before refueling.
- Never remove fuel cap while on a slope. Only remove when parked on a level surface.
- Replace all fuel tank and container caps securely.

SAFETY



General Safety Procedures for Ventrac Power Units, Attachments, & Accessories



Fuel Safety (continued)

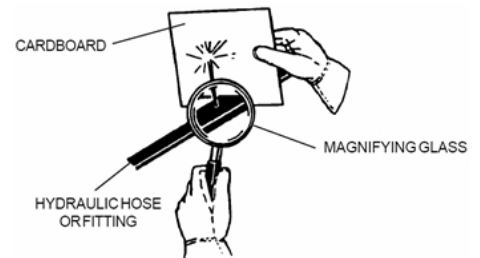
- Do not overfill fuel tank. Only fill to bottom of fuel neck, do not fill fuel neck full. Overfilling of fuel tank could result in engine flooding, fuel leakage from the tank, and/or damage to the emissions control system.
- If fuel is spilled, do not attempt to start the engine. Move the power unit away from the fuel spill and avoid creating any source of ignition until fuel vapors have dissipated.
- If the fuel tank must be drained, it should be drained outdoors into an approved container.
- Dispose of all fluids in accordance with local laws.
- Check all fuel lines for tightness and wear on a regular basis. Tighten or repair them as needed.
- The fuel system is equipped with a shut-off valve. Shut off the fuel when transporting the machine to and from the job, when parking the machine indoors, or when servicing the fuel system.

Hydraulic Safety

- Make sure all hydraulic connections are tight and all hydraulic hoses and tubes are in good condition. Repair any leaks and replace any damaged or deteriorated hoses or tubes before starting the machine.
- Hydraulic leaks can occur under high pressure. Hydraulic leaks require special care and attention.
- Use a piece of cardboard and a magnifying glass to locate suspected hydraulic leaks.



- Keep body and hands away from pinhole leaks or nozzles that eject high pressure hydraulic fluid. Hydraulic fluid escaping under high pressure can penetrate the skin causing serious injury, leading to severe complications and/or secondary infections if left untreated. If hydraulic fluid is injected into the skin, seek immediate medical attention no matter how minor the injury appears.



- Hydraulic system may contain stored energy. Before performing maintenance or repairs on the hydraulic system, remove attachments, engage parking brake, disengage weight transfer system (if equipped), shut off engine, and remove ignition key. To relieve pressure on the auxiliary hydraulic system, shut off the power unit engine and move the hydraulic control lever left and right before disconnecting the auxiliary hydraulic quick couplers.
- Dispose of all fluids in accordance with local laws.

SAFETY



LW350 Safety Procedures



⚠ WARNING

Damage to glass windshield may occur if used with LX420 snowblowers serial # LX420-AA1134 or earlier. These snowblowers require the installation of kit # 70.3022 to relocate the snowblower's chute support post.

- The cab door must be closed and latched during operation of power unit and LW350 weather cab.
- Window latches must be locked in either the closed or open position during operation of power unit and LW350 weather cab.
- Do not place any part of your body outside of the cab (through windows, door, or any other opening) during operation of power unit and LW350 weather cab.
- Do not operate the power unit and LW350 weather cab on slopes greater than 10 degrees.

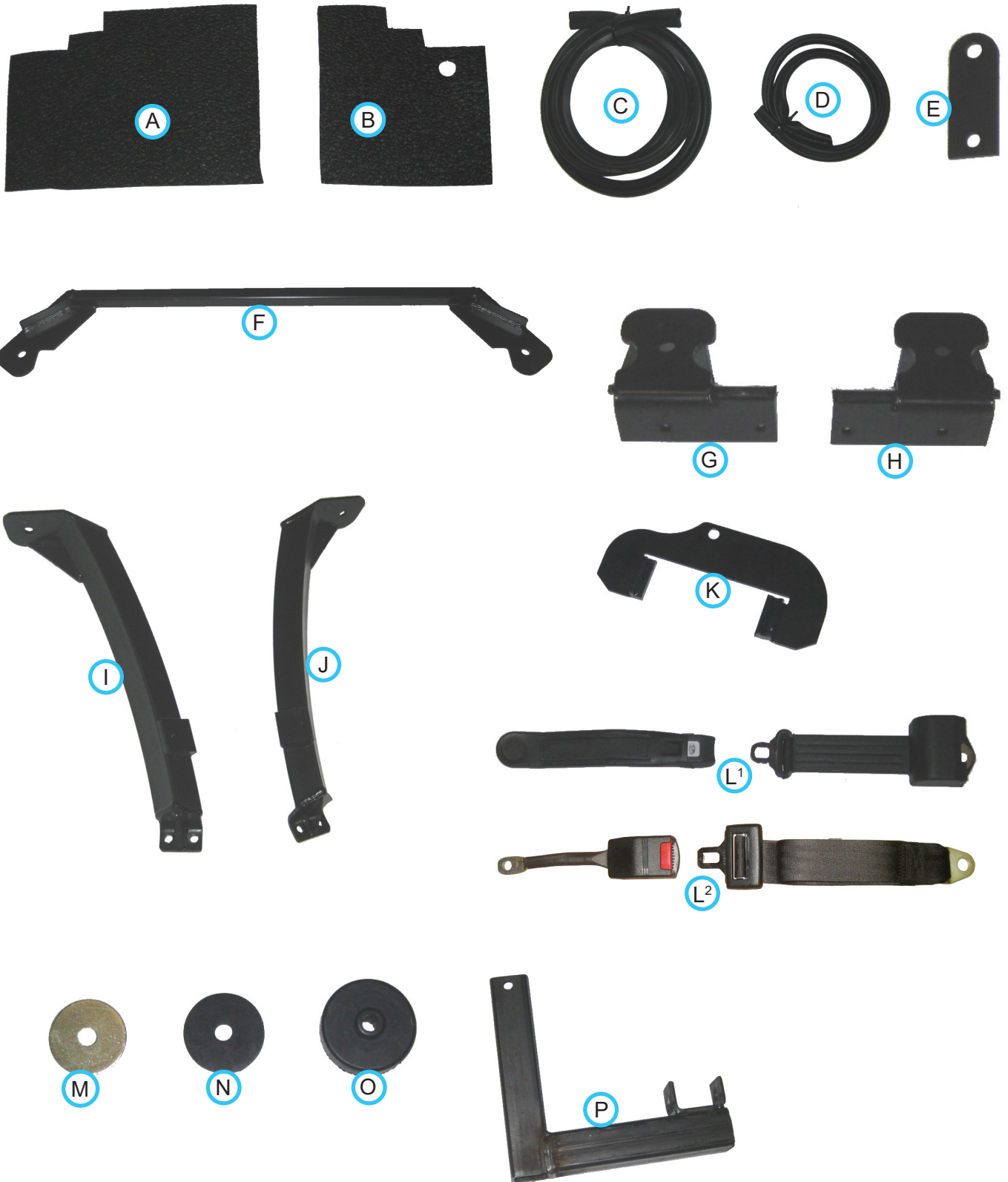
⚠ WARNING

Do not operate the power unit and LW350 weather cab on slopes greater than 10 degrees.

- The LW350 weather cab is equipped with an emergency exit (the right side front window). Learn to use the emergency exit prior to operating the power unit and the LW350 weather cab. Refer to the General Operation section of this manual for instructions on using the emergency exit.
- Inspect the LW350 weather cab after striking any foreign object to assure that all cab parts are safe, secure, and undamaged.
- Do not modify or alter the cab or any of its components or operating functions.

LW350 SETUP INSTRUCTIONS

Identification of Parts



LW350 SETUP INSTRUCTIONS

Ref.	Part #	Description	Qty.	Unit
A	07.010018	Floor Mat, Left	1	ea
B	07.010019	Floor Mat, Right	1	ea
C	07.010020	Trim, Trim Seal w/Bulb 180D	10.5	lf
D	07.010021	Trim, Trim Seal w/Bulb 90D	4.5	lf
E	07.0101744	Plate, Seat Belt Mounting	2	ea
F	07.0101728	Bracket, Frame Reinforcement	1	ea
G	07.0101727	Bracket, Right Front Mounting	1	ea
H	07.0101726	Bracket, Left Front Mounting	1	ea
I	07.0101725	Bracket, Right Rear Mounting	1	ea
J	07.0101724	Bracket, Left Rear Mounting	1	ea
K	64.1366	Bracket, LE Oscillation Guide	1	ea
L ¹	07.0101131	Kit, Seat Belt Retractable (Serial # Date Code 0711bm-xxx or earlier)	1	ea
L ²	47.0180	Seat Belt, Lap N/C Switch 60" (Serial # Date Code 0811bm-xxx or later)	1	ea
M	07.0100450	Washer, 9/16 x 2" Steel YD	4	ea
N	07.0100449	Washer, 9/16 x 2-1/2" Rubber	4	ea
O	07.0100448	Isolator, 9/16 x 2-1/2" Rubber	4	ea
P	07.010022	Bracket, Cab Lifting	2	ea
-	07.0100668	Bolt, 3/8 x 3/4" Gr. 8 YD	14	ea
-	96.06	Washer, 3/8 Lock	2	ea
-	07.0100018	Nut, 3/8 Flange Locking Gr. 8	12	ea
-	07.0100557	Bolt, 1/2 x 2-1/2 Hex Gr.8 YD	2	ea
-	07.0100121	Bolt, 1/2 x 3" Hex Grade 8 YD	2	ea
-	07.0100116	Nut, 1/2 Locking Grade 8	4	ea
-	91.0708	Bolt, 7/16-20 SAE x1	2	ea
-	93.07	Nut, 7/16-20 SAE	2	ea
-	96.07	Washer, 7/16" Lock	2	ea
-	07.0100478	Plug, Lift Hole Buttons	2	ea
-	30.0166	Fuse, 15 Amp ATC Blade - Blue	1	ea
-	30.0188	Fuse, 40 Amp ATC Blade - Amber	1	ea
-	30.0204	Tyton Tie, #50 .180 x 12"	10	ea
-	30.0207	Terminal, .25 Pushon F 16-14Ga	1	ea
-	30.0220	Terminal, .25 Pushon M 12-10Ga	1	ea
-	30.0227	Terminal, .25 Pushon F 12-10Ga	1	ea
-	34.0008	Wire, Asm Fused Positive	1	ea
-	34.0010	Wire, Asm Negative 10 Ga x 36"	1	ea

LW350 SETUP INSTRUCTIONS

Setup Instructions for Power Unit & Weather Cab

⚠ WARNING

Before making repairs or adjustment, set the parking brake, turn off engine, and remove ignition key. Always disconnect the negative battery cable from the battery when working with electrical components. Always work in a manner that does not put safety at risk!

⚠ WARNING

Safety glasses must be worn during installation. Ear (hearing) protection must be worn when using air or power tools.

⚠ WARNING

Use only the cab lifting brackets attached at both lift points to lift the cab. Never walk or stand beneath cab when it is raised off the ground.

⚠ WARNING

Place wheel chocks in front and back of wheels to prevent power unit from rolling during setup of power unit and weather cab.

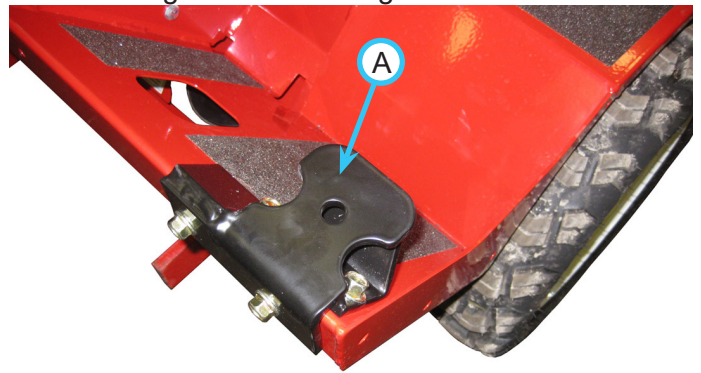
Unless specified otherwise, use the bolt torque specifications listed below for all bolts used during setup and installation of the weather cab.

Bolt Torque Specifications

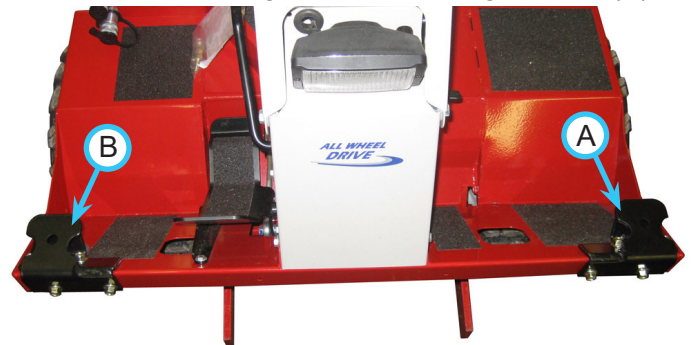
Bolt Size	Torque (English)	Torque (Metric)
5/16-18	210 in-lbs.	24 Nm
3/8-16	31 ft-lbs.	42 Nm
7/16-14	50 ft.lbs	68 Nm

1. Remove any front attachment from the power unit.
2. Park the power unit on a level surface, set the parking brake, shut off the engine, and remove the ignition key.
3. Disconnect the negative battery cable from the battery.
4. Place wheel chocks in front and back of wheels to prevent power unit from rolling.

5. If the power unit is equipped with an optional roll cage, it must be removed before installation of cab.
6. If the power unit is equipped with weight transfer, remove the weight transfer adjustment handle.
7. Install the left front mounting bracket (A) onto the left front corner of the power unit using 4) 3/8" x 3/4" flange bolts and flange nuts.



8. Repeat for the right front mounting bracket (B).



9. Install the left rear mounting bracket (C) onto the mounting plate of the power unit operator platform using 2) 3/8" x 3/4" flange bolts and flange nuts.

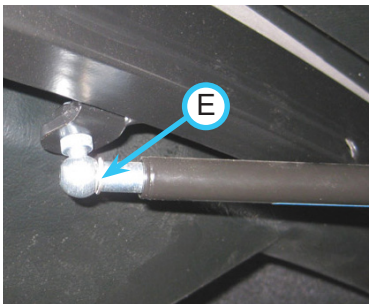


LW350 SETUP INSTRUCTIONS

10. Repeat for the right rear mounting bracket (D).



11. Remove the gas door shock where it attaches to the cab frame. Pull down on the clip (E) until it releases from the shock end, then slide toward the back of the cab to remove. Remove the shock end from the mounting stud and lift the door off the hinge pins to remove.



12. Remove the right front escape window (emergency exit). Lift up on the handle to unlatch. Push the window open slightly and lower the handle so the latch pin exits through the release slot. Remove the window from the cab by lifting the window off the hinge pins.
13. Remove the nuts and bolts from the lower right window and remove the window from the cab.
14. Attach the cab lifting brackets to the holes in the upper frame tube of the weather cab.



Attach a strap or chain to the lift brackets and prepare to lift the cab off the shipping pallet.

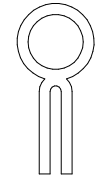
Unbolt the shipping brackets and lift the cab off the pallet.



Attention

Save the pallet and shipping brackets for cab storage, if cab is removed from the power unit.

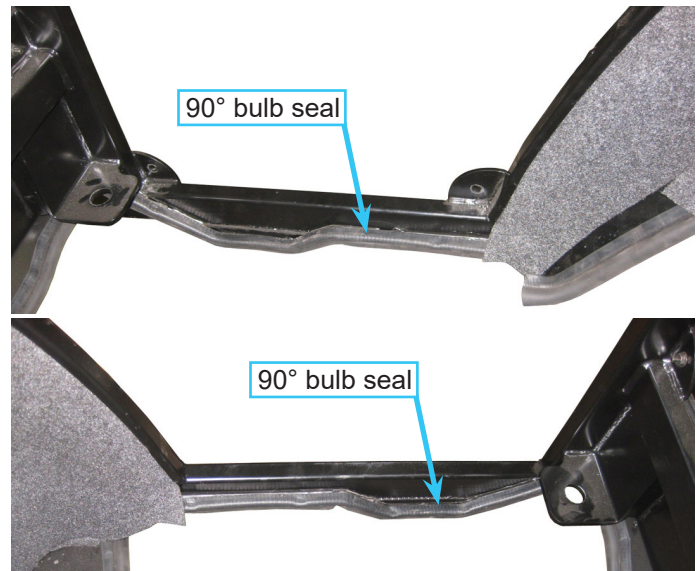
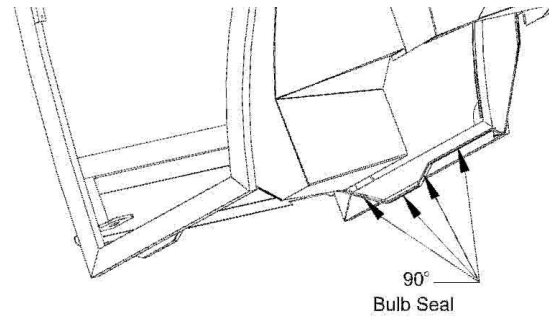
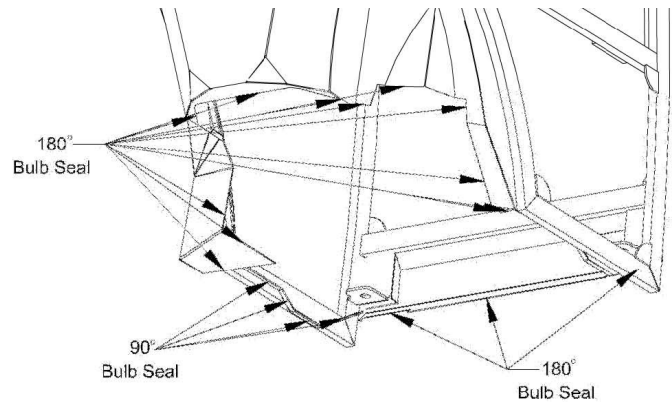
15. Install the cab weatherstripping as shown in the bulb seal schematics and pictures.



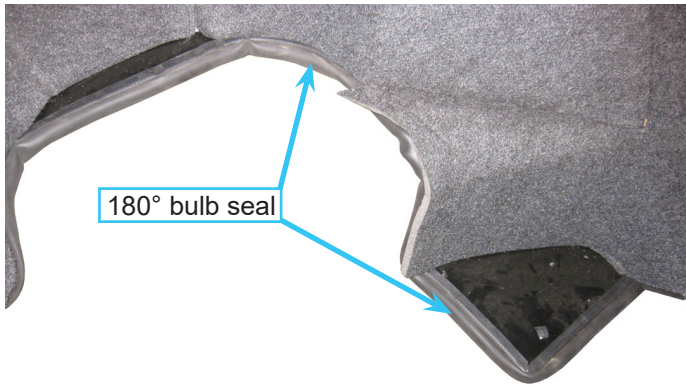
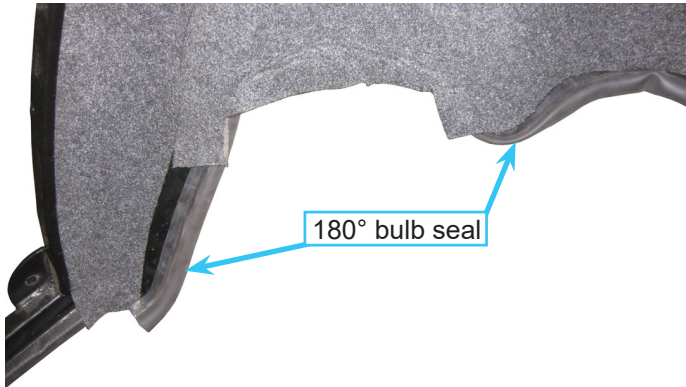
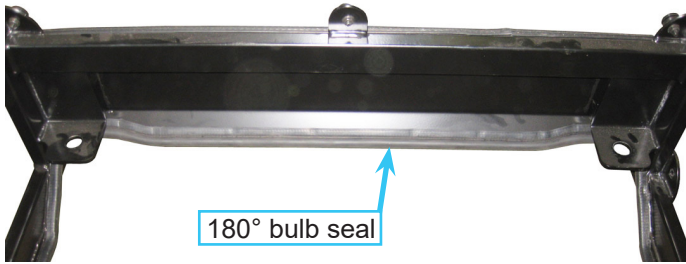
180° Bulb Seal



90° Bulb Seal



LW350 SETUP INSTRUCTIONS



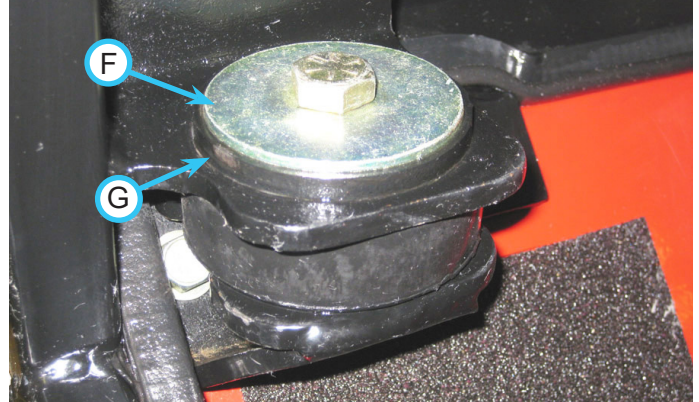
16. Place a rubber isolator flat side down on top of each bracket mounting plate and lift the cab over the power unit. Lower the cab down slowly onto the isolators, biasing the cab toward the front of the power unit.



Attention

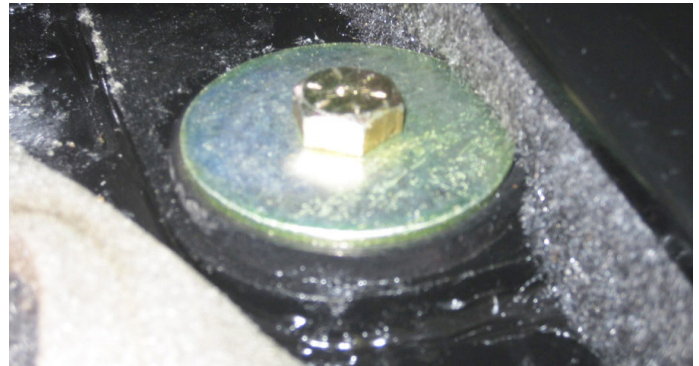
Keep the cab as far forward as possible. Check clearance with engine hood.

17. Stack a 2" steel washer (F) on top of a 2-1/2" rubber washer (G) and place on the left front mounting plate of the cab. Insert a 1/2 x 2-1/2" bolt down through the washers, mounting plate, isolator, and left front mounting bracket. Fasten with a 1/2" lock nut but do not tighten.



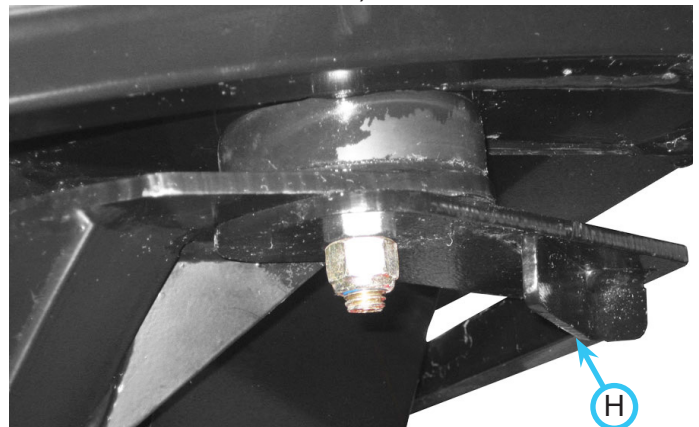
Repeat for right front cab mount.

18. Stack a 2" steel washer on top of a 2-1/2" rubber washer and place on the left rear mounting plate of the cab. Insert a 1/2 x 3" bolt down through the washers, mounting plate, isolator, and left rear mounting bracket. Do not install lock nut.



Repeat for right rear cab mount.

19. Install the frame reinforcement bracket (H) on the undersides of the right and left rear mounting brackets. Fasten with 2) 1/2" lock nuts.



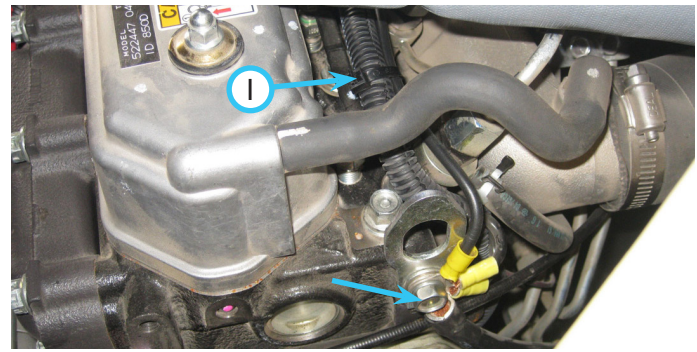
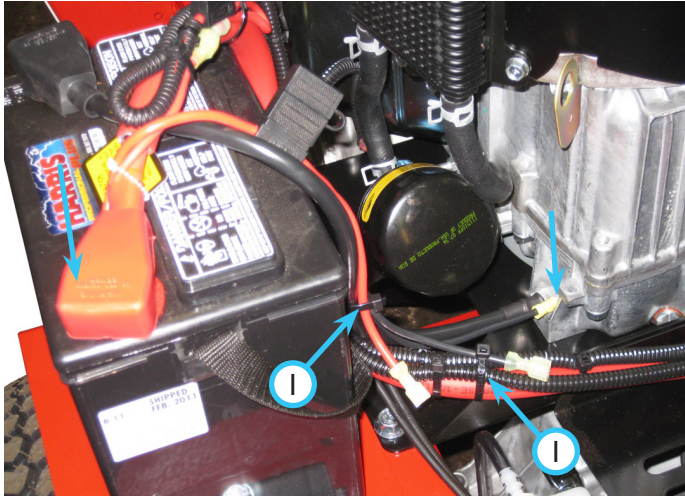
LW350 SETUP INSTRUCTIONS

20. Torque the 4) isolator mount bolts until there is a 7/8" (2.25 cm) space between the steel mounting plates.

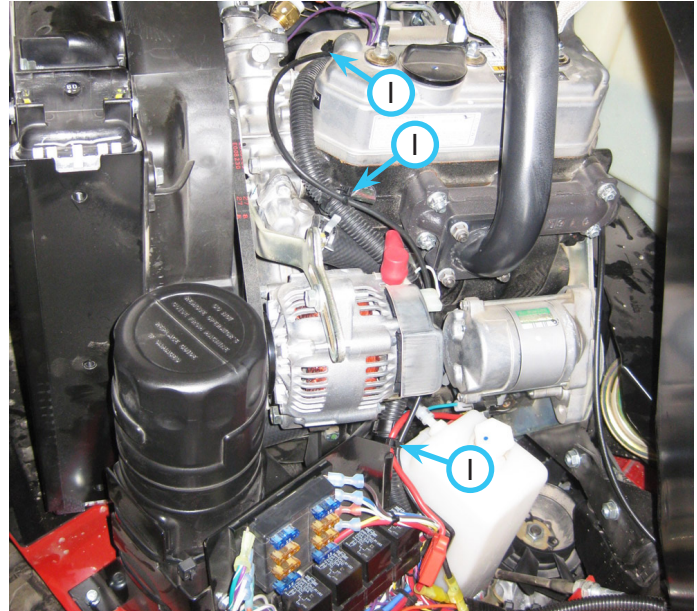
3100 Rear Wire Routing

21. Connect the fused wire assembly to the positive terminal on the battery.

22. Cut the negative wire to 12" (30.5 cm) long, strip off 1/4" of insulation, and crimp on a yellow male push-on terminal. Install the short negative wire assembly onto the engine ground bolt. Torque to 210 in-lbs (24 Nm).



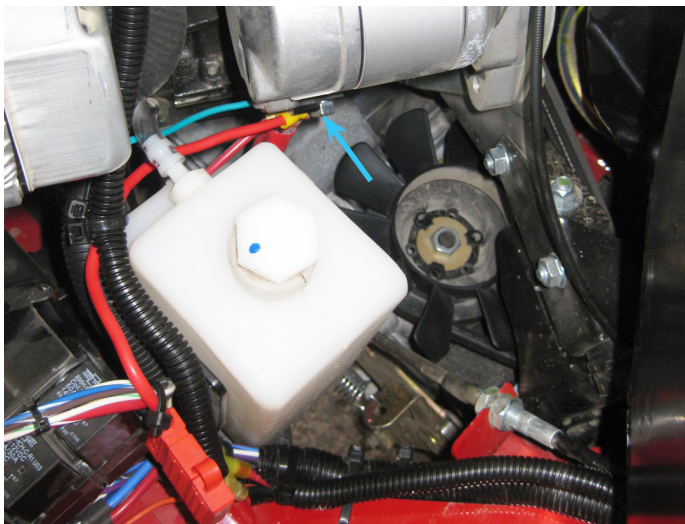
26. Use zip ties (I) to fasten both the positive and negative wires to the existing wire harness.



23. Use zip ties (I) to fasten both the positive and negative wires to the existing wire harness.

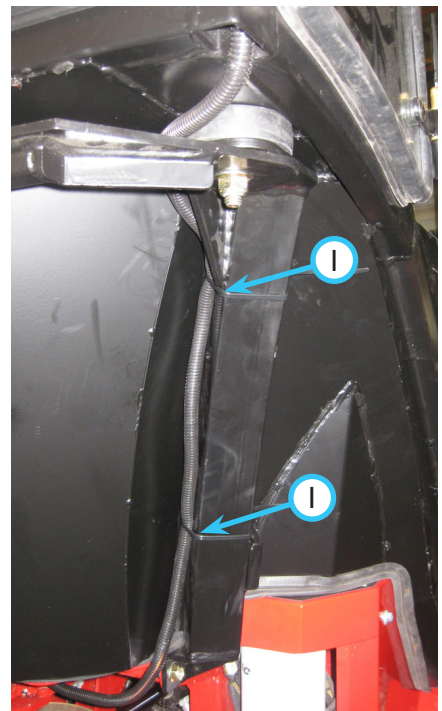
3200 Rear Wire Routing

24. Install the fused wire assembly onto the starter.



All Units

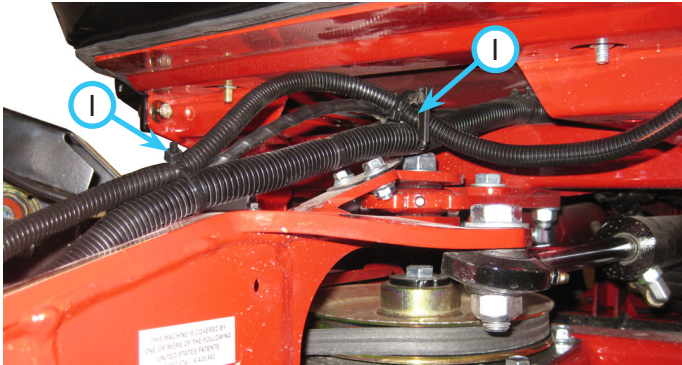
27. Locate the wire bundle at the back of the cab and route electrical wires along the lower rear bracket and under the hood.



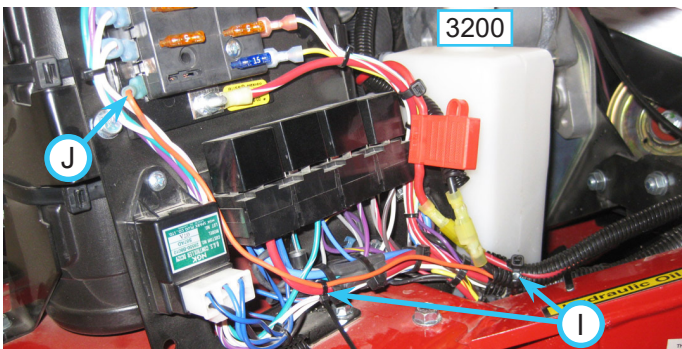
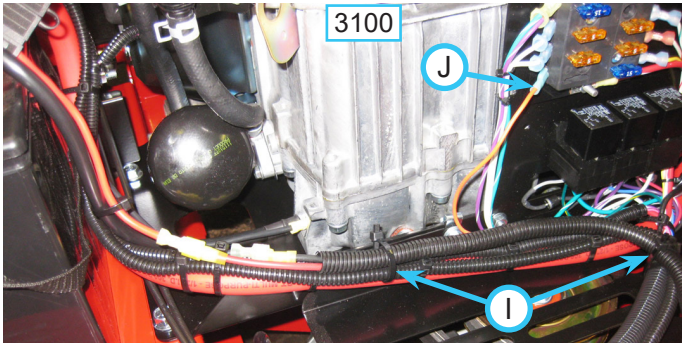
25. Strip off 1/4" of insulation from the negative wire and crimp on a yellow male push-on terminal. Install the long negative wire onto the engine ground bolt and route the wire back along the existing wire harness.

LW350 SETUP INSTRUCTIONS

28. Route the wire harness through the center pivot area and back along the existing wire harness toward the engine, making sure to leave enough slack in the center pivot area that the power unit can be turned without pulling the wire harness tight.



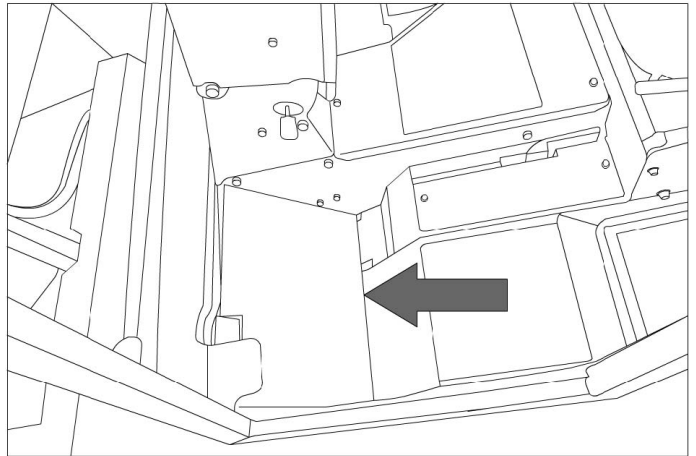
29. Use zip ties to fasten the cab wire harness to the existing wire harness. Ensure all wires are fastened away from moving parts or sharp objects.
30. At the point where the cab harness meets the positive and negative wire assemblies installed previously, cut and remove the excess wire loom.
31. Cut the red wire where it meets the fused positive wire. Strip off 1/4" of insulation and crimp on the yellow male push-on wire terminal. Connect to the fused positive wire assembly.
32. Cut the black wire where it meets the negative wire assembly. Strip off 1/4" of insulation and crimp on the yellow female push-on wire terminal. Connect to the negative wire assembly.



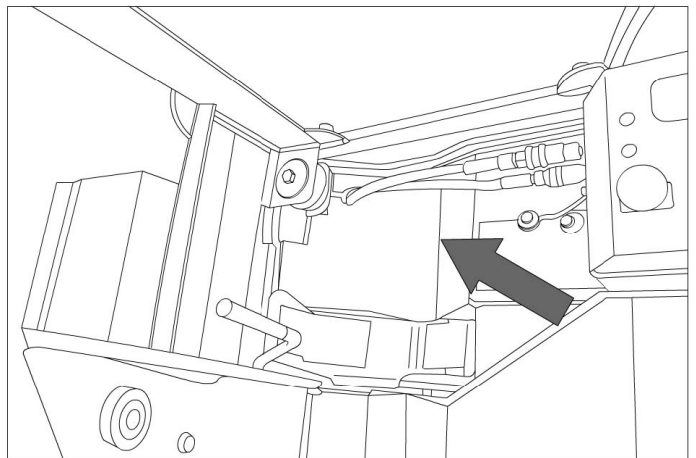
33. Route the orange wire (J) to the available terminal on the fuse block. Cut off any excess wire,

strip off 1/4" of insulation, and crimp on the blue female push-on wire terminal. Install onto the available terminal on the fuse block.

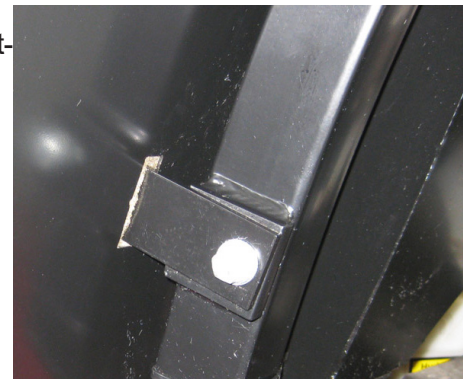
34. Install a 15 amp fuse into the fuse block where the orange wire was connected.
35. Install a 40 amp fuse into in-line fuse holder on the positive wire assembly.
36. Place the left floor mat onto the angled portion of the floor on the left side of the steering column.



37. Place the right floor mat onto the angled portion of the floor to the right of the foot pedal.



38. Slide the seat belt mounting plates through the slits in the upholstery at each side of the cab. Fasten to the plates on the rear mounting brackets using 3/8" x 3/4" flange bolts and 3/8" lock washers.



LW350 SETUP INSTRUCTIONS

39. Install the seat belt kit onto the seat belt mounting brackets using 7/16" x 1" bolts, 7/16" lock washers, and 7/16" nuts.



44. Reinstall the door shock end onto the mounting stud and secure with clip.

CAUTION

The gas door shock must be installed to prevent the door from opening to far or swinging open or shut too fast. Damage to the glass may occur if gas door shock is not installed.

Installation is complete. For weather cab removal instructions, refer to Preparing the Weather Cab for Storage in the Service section of this manual.

40. Remove the bottom 5/16" bolt from the rear transaxle mount at the front of the rear frame. Install the oscillation guide bracket to the rear frame using the original bolt. Orient the bracket so that it straddles the front/rear connector link and the relieved portion of the bracket contours around the rubber grommet on the frame.



41. If the power unit is equipped with weight transfer, reinstall the weight transfer adjustment handle.
42. Remove the cab lifting brackets and install a lift hole button plug in the holes in the outer wall of the upper frame tubes.
43. Reinstall the lower right window, the front escape window, and the door.

GENERAL OPERATION

⚠ WARNING

Damage to glass windshield may occur if used with LX420 snowblowers serial # LX420-AA1134 or earlier. These snowblowers require the installation of kit # 70.3022 to relocate the snowblower's chute support post.

Daily Inspection

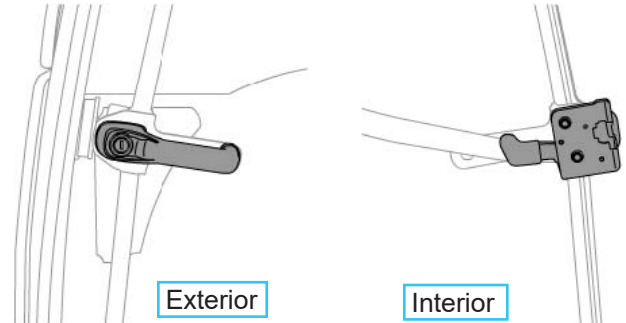
⚠ WARNING

Always set the parking brake, shut off power unit engine, remove the ignition key, and ensure all moving parts have come to a complete stop before inspecting components or attempting any repair or adjustment.

1. Park machine on a level surface, with the engine shut off and all fluids cold.
2. Perform a visual inspection of both the power unit and the weather cab. Ensure the weather cab is properly mounted to the power unit. Look for loose or missing hardware, damaged components, or signs of wear.
3. Check the power unit's lights along with work lights, blinker lights, and/or strobe beacon to ensure lights are working properly.
4. Inspect window and door seals for cracks and tears. Check glass for chips or damage.
5. Inspect hydraulic hoses and fittings, fuel lines, and heater lines to ensure tight, leak free connections.
6. Refer to the power unit operator's manual. Check the power unit's engine oil, hydraulic oil, cooling system, tire pressure, and fuel level. Add fluids or service as required.
7. Repair or replace damaged or non-working components.
8. Test the power unit's operator safety interlock system*.

Door (Opening, Locking, & Unlocking)

Open the door from the outside by pushing the round button on the door handle and pulling out on the door. Open the door from the inside by pushing the door latch handle down and pushing out on the door.



The cab door is not lockable from inside the cab. To lock the cab door, insert key into the door lock on the outer door handle and turn key counter-clockwise to lock. Turn the key clockwise to unlock the door. When the key is in the vertical position, it can be removed from the lock.

Escape Window



The escape window handle contains two channels for the latch pin. To open the escape window for ventilation, pull the handle out away from the window and allow the lower channel to slide on the pin until it reaches the end of travel on the handle. Secure on the pin by pushing down on the handle. To open the window for escape, pull the handle out away from the window and lower the

handle to allow the pin to slide through the upper channel and release from the handle. Swing the window completely out of the way to provide an emergency exit from the weather cab.

Rear Side Windows



The rear left and right side windows can both be opened and latched in place. Pull the window latch up to release and push out to open the window. Push down on the latch to secure open for ventilation.

* Refer to power unit operator's manual for operation of power unit controls.

GENERAL OPERATION

Interior Light



The switch on the light base turns the light on and off. The light swivels in the socket, which allows the light to be directed where needed. NOTE: The power unit ignition switch must be turned on

in order for the cab electrical system to receive power.

Windshield Wiper



Attention

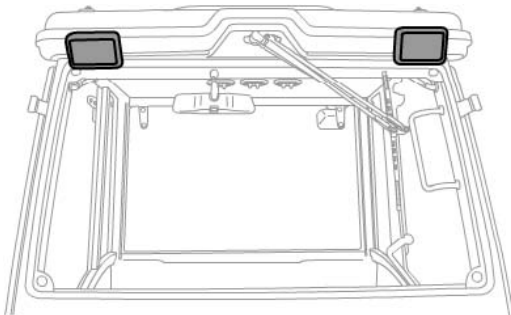
Do not activate the wiper when the window is dry as this may scratch the glass.

Pressing the top portion of the windshield wiper switch turns on the windshield wiper. Pressing the bottom portion of the switch turns the wiper off. Pressing and holding the bottom portion of the switch will cycle the windshield wiper until the switch is released. When the wiper is turned off, the wiper arm will return to the end of the stroke.

Using the Wipers in the Winter

1. When cab is not in use, keep the wiper blade off the windshield to prevent it from freezing to the glass.
2. If the windshield is covered with snow, scrape the windshield before using the wipers.
3. If the wiper blade is stuck to the windshield with ice and does not move, switch wiper to the OFF position, and remove the ice from the wiper blade.

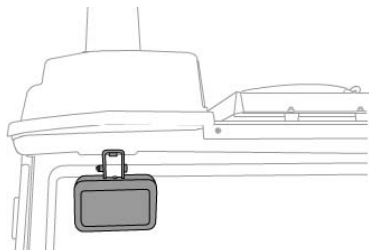
Front Work Lights



Pressing the top portion of the front work light switch turns the front work lights on. Pressing the bottom portion of the switch turns the lights off.

Rear Work Light

Pressing the top portion of the rear work light switch turns the rear work light on. Pressing the bottom portion of the switch turns the light off.



Heater/Pressurizing Fan

CAUTION

To avoid personal injury:

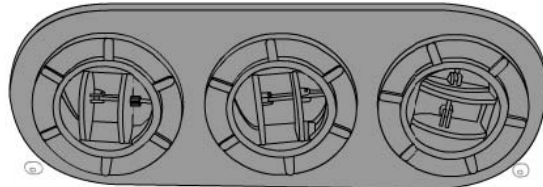
Have the power unit and/or weather cab repaired immediately if any of the following defects are discovered. Such defects may cause burns or injuries. They may also cause engine seizure or other serious failure.

Daily Inspection:

1. Check for scratches, cracks, or swelling in the water hoses.
2. Check for leaks at water hose joints.
3. Check for loose mounting bolts and damaged brackets.

DO NOT touch the water hoses or the heater with your hand. You may get burned.

Air is drawn through the filters in the rear of the cab headliner and then is discharged inside the cab through the three vents in the headliner.



The three vent louvers can be adjusted individually as required. For windshield defrost, rotate the louvers to face towards the windshield. Do not rotate the vents by the louvers. Use the grip ribs on the vent flange for rotating the vents.

The heater fan has three speeds and an OFF position. Turn the knob clockwise to increase the fan speed and maximize air flow output.

The temperature control knob turns clockwise to open a water valve and increase heat output. To reduce the heat output, turn the temperature control knob counterclockwise to close the valve.

If the windows fail to defrost in extreme conditions or become cloudy when dehumidifying the cab, wipe off moisture with a soft cloth.

SERVICE

⚠ WARNING

Always set the parking brake, shut off power unit engine, remove the ignition key, and ensure all moving parts have come to a complete stop before inspecting components or attempting any repair or adjustment.



Attention

If any component requires replacement, use only original Ventrac replacement parts.

Cleaning and General Maintenance

For best results, and to maintain the finish of the LW350, clean or wash the weather cab to remove dirt, gravel, and salt deposits. Remove any ice or snow accumulations from the roof, windows, and accessories.



Attention

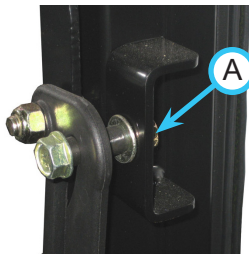
To maintain the finish of the weather cab and accessories, thoroughly wash the equipment after each use to remove any corrosive agents (e.g., salt). Failure to clean the equipment may result in corrosion of (including but not limited to) steel, aluminum, and electrical components. Equipment that will experience repeated exposure to corrosive agents should be pretreated with a corrosion preventative.

Window Latch Adjustment

The window latch pins can be adjusted if the windows do not close properly.

If the window does not seal correctly, loosen the nut on the window latch pin and move away from the window slightly.

If the window latch is hard to close, move the window latch pin toward the window slightly.

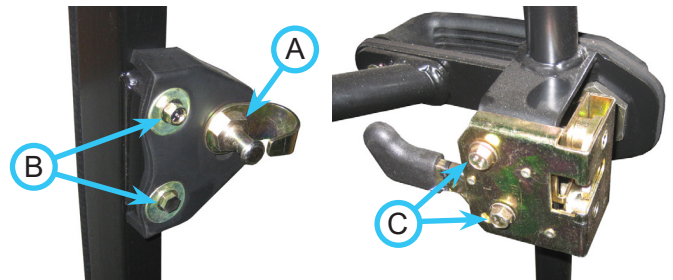


Door Latch Lubrication

Lubricate the door latch mechanism every 50 hours with a spray lube or light weight oil. Use a cloth to protect the window glass from the spray and wipe off any excess oil to prevent dripping.

Door Latch Adjustment

If the door does not latch or seal properly the striker pin and door latch can be adjusted for proper alignment. If the striker pin and door latch are misaligned vertically, loosen the striker pin (A) and move up or down until properly aligned with door latch.



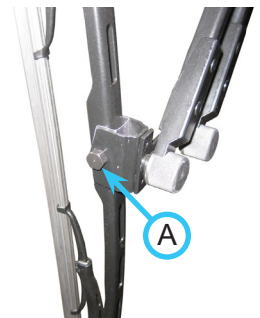
If the door does not latch because the latch pin is set too deep or if the door latches but does not seal properly, loosen the 2) striker mounting plate bolts (B) and move the striker mounting plate in or out to the proper depth.

If the door does not latch because the door latch hits the on the striker pin to far to the front or back, loosen the inner door latch bolts (C) and move the inner door latch forward or rearward until properly aligned.

Wiper Blade Replacement

The wiper blade should be replaced on a yearly basis, or sooner if the blade does not clean the windshield effectively.

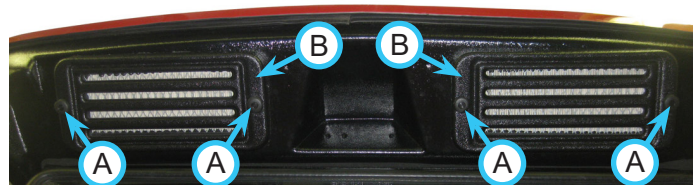
1. Remove the nut and bolt (A) that fasten the wiper blade to the wiper arm.
2. Install new wiper blade and reinstall the nut and bolt.



Heater Air Filter Replacement

The 2) heater air intake filters should be replaced on a yearly basis, or sooner if operating in dusty conditions.

1. Remove the 2) thumb screws (A) holding each filter cover (B) onto the cab.



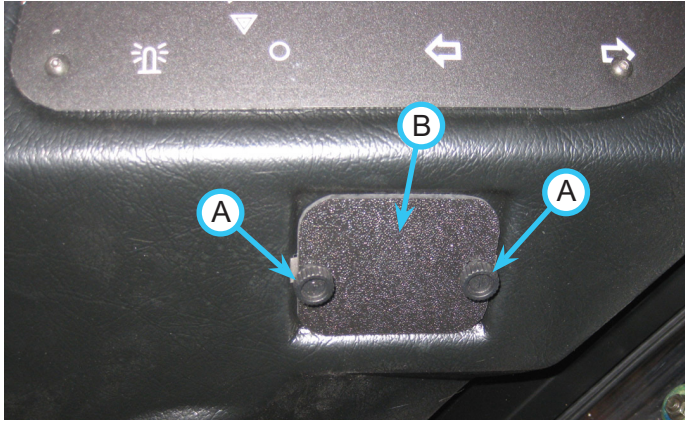
2. Remove both air filters from the cab air intake vents and insert the replacement filters.
3. Reinstall the filter covers and thumb screws.

SERVICE

Fuse Replacement

The fuse block is located in the headliner just in front of the right control panel.

1. Remove the 2 thumb screws (A) from the fuse block cover (B).



2. Remove the defective fuse from the socket.
3. Push a new fuse into the socket.

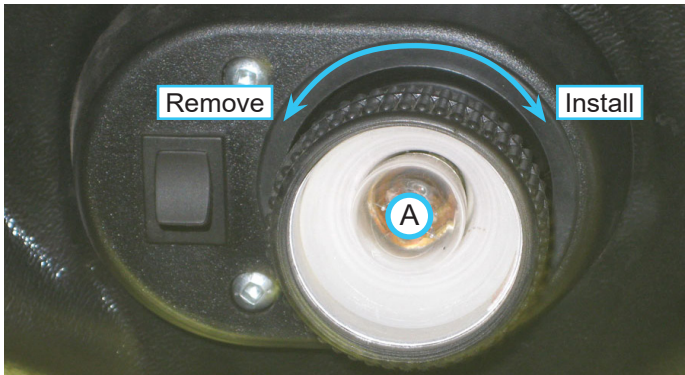
CAUTION

Always use the correct amperage fuse. If a fuse continuously burns out, it is a sign of a problem with the wires and/or the device being supplied power. Correct the problem before replacing the fuse.

4. Reinstall the fuse block cover and thumb screws.

Interior Light Bulb Replacement

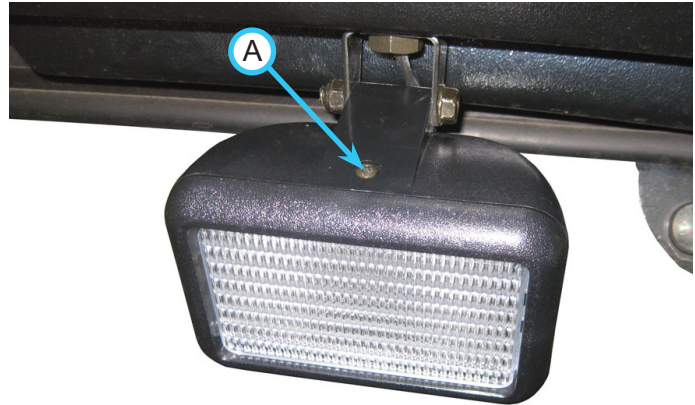
1. Push in on the bulb (A) and turn counterclockwise to release.
2. Remove bulb from the light socket.



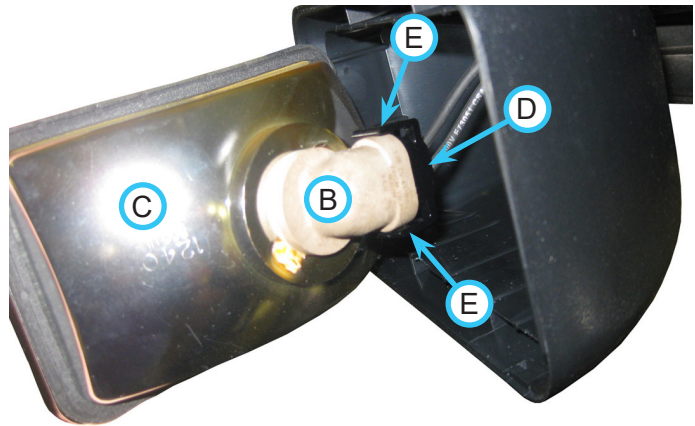
3. Align the pins on the new bulb with the slots in the light socket.
4. Push in on the bulb and turn clockwise.

Work Light Bulb Replacement

1. Remove the screw (A) from the work light cover and remove the cover.



2. Remove the bulb (B) from the lens/reflector assembly (C) by twisting the bulb base until the tabs are aligned with the slots in the lens/reflector assembly.

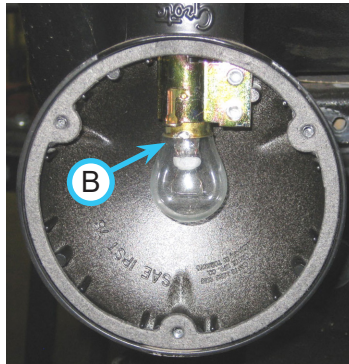
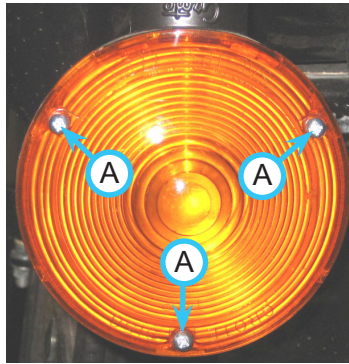


3. Remove the bulb from the plug (D) by lifting the tabs (E) on the plug and pulling out on the bulb.
4. Connect the new light bulb to the plug.
5. Insert the bulb into the lens/reflector assembly and twist to lock in place.
6. Reinstall the work light cover. Ensure the tabs at the bottom of the cover snap into place. Fasten in place with the screw at the top of the cover.

SERVICE

Turn Signal Bulb Replacement

1. Remove the 3 screws (A) from the turn signal lens and remove the lens.
2. Push up on the turn signal bulb (B) and turn counterclockwise to release.
3. Remove bulb from the light socket.
4. Align the pins on the new bulb with the slots in the light socket.
5. Push in on the bulb and turn clockwise.
6. Reinstall the turn signal lens.



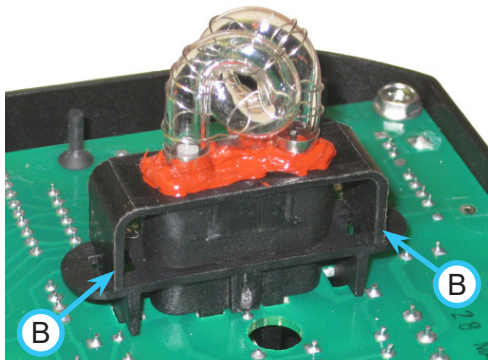
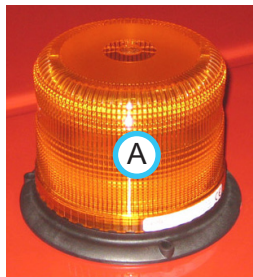
Strobe Beacon Bulb Replacement

CAUTION

High Voltage!

Before removing lens, turn off power and wait five minutes.

1. Turn the strobe beacon off and wait five minutes.
2. Unscrew the strobe lens (A) from the base.
3. Squeeze the tabs (B) on the strobe bulb together and pull the bulb out of the connector.
4. Install the new strobe bulb and push into place until both tabs snap in place.
5. Reinstall the strobe lens.



Storage

Preparing the Weather Cab for Storage

1. Clean the weather cab.



Attention

To maintain the finish of the power unit and attachment, thoroughly wash the equipment to remove any corrosive agents (e.g., salt). Failure to clean the equipment may result in corrosion of (including but not limited to) steel, aluminum, and electrical components.

2. Inspect for loose or missing hardware, damaged components, or signs of wear.
3. Inspect safety decals, Replace any safety decals that are faded, illegible, or missing.

Removing the Weather Cab

WARNING

Before making repairs or adjustment, set the parking brake, turn off engine, and remove ignition key. Always disconnect the negative battery cable from the battery when working with electrical components. Always work in a manner that does not put safety at risk!

WARNING

Safety glasses must be worn during removal. Ear (hearing) protection must be worn when using air or power tools.

WARNING

Use only the cab lifting brackets attached at both lift points to lift the cab. Never walk or stand beneath cab when it is raised off the ground.

WARNING

Place wheel chocks in front and back of wheels to prevent power unit from rolling during removal of weather cab from the power unit.

1. Place wheel chocks in front and back of wheels to prevent power unit from rolling.
2. If the cab is equipped with spreader controls, remove and store with the spreader.

SERVICE

3. If the cab is equipped with a heater, disconnect the heater hoses from the fittings on the power unit's water pump.
4. Remove the fittings from the water pump and place in a box to store with the cab.
NOTE: place hardware and other small items into bags prior to placing in the box.
5. Install 1/4" NPT pipe plugs into both holes of the water pump.
6. Disconnect the cab's wiring harness from the power unit and remove the fuse from the power supply terminal on the fuse block. Store the fuse in a box with other cab parts and hardware.
7. Remove the seat belt and seat belt mounting brackets from the rear cab mounting brackets and place in a box to store with the cab.
8. Remove the left and right floor mats and place in a box to store with the cab.
9. Remove the cab door, the right escape window, and the lower right window from the cab.
10. If the power unit is equipped with weight transfer, remove the weight transfer adjustment handle.
11. Remove the lift hole plugs and attach the cab lifting brackets to the holes in the upper frame tube of the weather cab. Attach a strap or chain to the lift brackets.
12. Remove the nuts, bolts, and steel and rubber washers from the 4) cab mounting points and place in a box to store with the cab.
13. Place the frame reinforcement bracket removed in previous step in a box or on the pallet to store with the cab.
14. Lift the cab off the power unit and place on the original pallet and shipping brackets. Secure to shipping brackets with original hardware.
If the original pallet is not available, place the cab on a pallet and fasten securely to the pallet.
15. Remove the rubber isolators from the cab mounting brackets and place in a box to store with the cab.
16. Remove the front and rear cab mounting brackets and place in a box to store with the cab.
17. Remove the cab lifting brackets from the cab and place in a box to store with the cab.
18. Reinstall the cab door, right escape window, and the lower right window onto the cab.
19. Remove the oscillation guide bracket from the power unit rear frame and place in a box to store with the cab. Reinstall the 5/16" bolt back into the frame and transaxle mount.
20. Place the box and any other cab parts on the pallet inside the cab.
21. Store the cab at a location where it is unlikely to get damaged.
22. If the power unit is equipped with weight transfer, reinstall the weight transfer adjustment handle.

Removing the Weather Cab from Storage

Inspect, clean, and install the weather cab according to the setup instructions in this manual.

SPECIFICATIONS

Dimensions

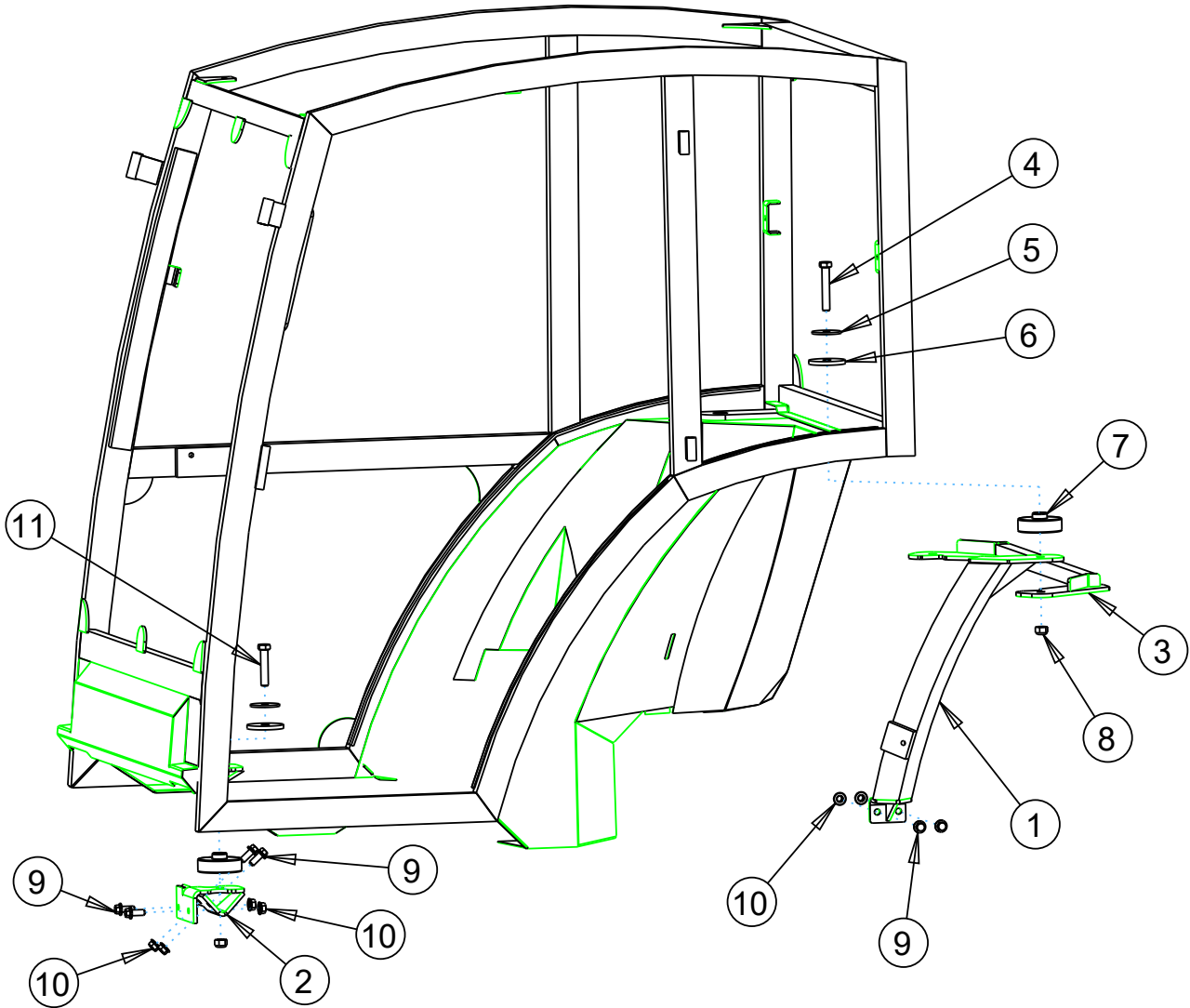
Overall Height	58 inches (147.3 cm)
Height on Power Unit	73 inches (185.4 cm)
Overall Length	58 inches (147.3 cm)
Overall Width	43 inches (109.2 cm)
Weight	365 pounds (165.5 kg)

Features

- Glass on frame design
- Emergency exit / escape window
- Contoured headliner and roof assembly
- Front windshield wiper
- Retractable seat belt

PARTS

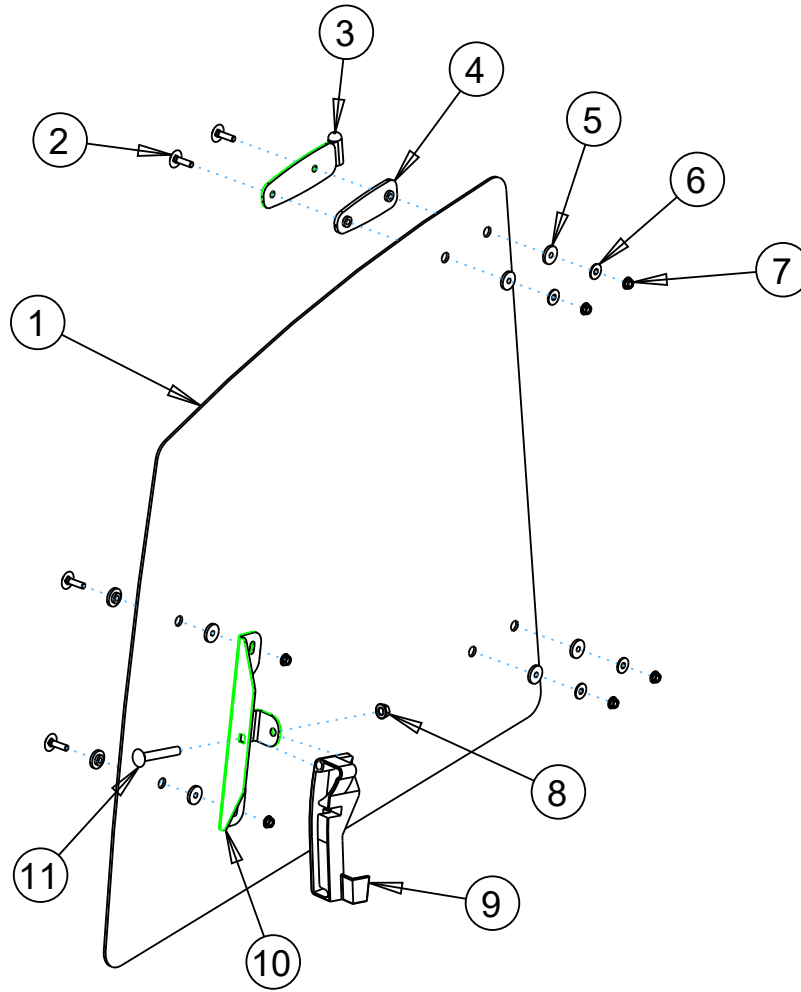
ILLUSTRATED DRAWING ROPS Mounting Assembly



REF.	PART NO.	DESCRIPTION	QTY.
1	07.0101724	.BRACKET, LEFT REAR MOUNTING	1
n/a	07.0101725	.BRACKET, RIGHT REAR MOUNTING	1
2	07.0101726	.BRACKET, FRONT LEFT MOUNTING	1
n/a	07.0101727	.BRACKET, RIGHT FRONT MOUNTING	1
3	07.0101728	.BRACKET, FRAME REINFORCEMENT	1
4	07.0100121	.BOLT, 1/2 X 3" HEX GRADE 8 YD	2
5	07.0100450	.WASHER, 9/16 X 2" STEEL YD	4
6	07.0100449	.WASHER, 9/16 X 2-1/2" RUBBER	4
7	07.0100448	.ISOLATOR, 9/16 X 2-1/2" RUBBER	4
8	07.0100116	.NUT, 1/2 LOCKING GRADE 8	4
9	07.0100668	.BOLT, 3/8 X 3/4" GR. 8 YD	12
10	07.0100018	.NUT, 3/8 FLANGE LOCKING GR 8	12
11	07.0100557	.BOLT, 1/2 X 2-1/2 HEX GR. 8 YD	2

PARTS

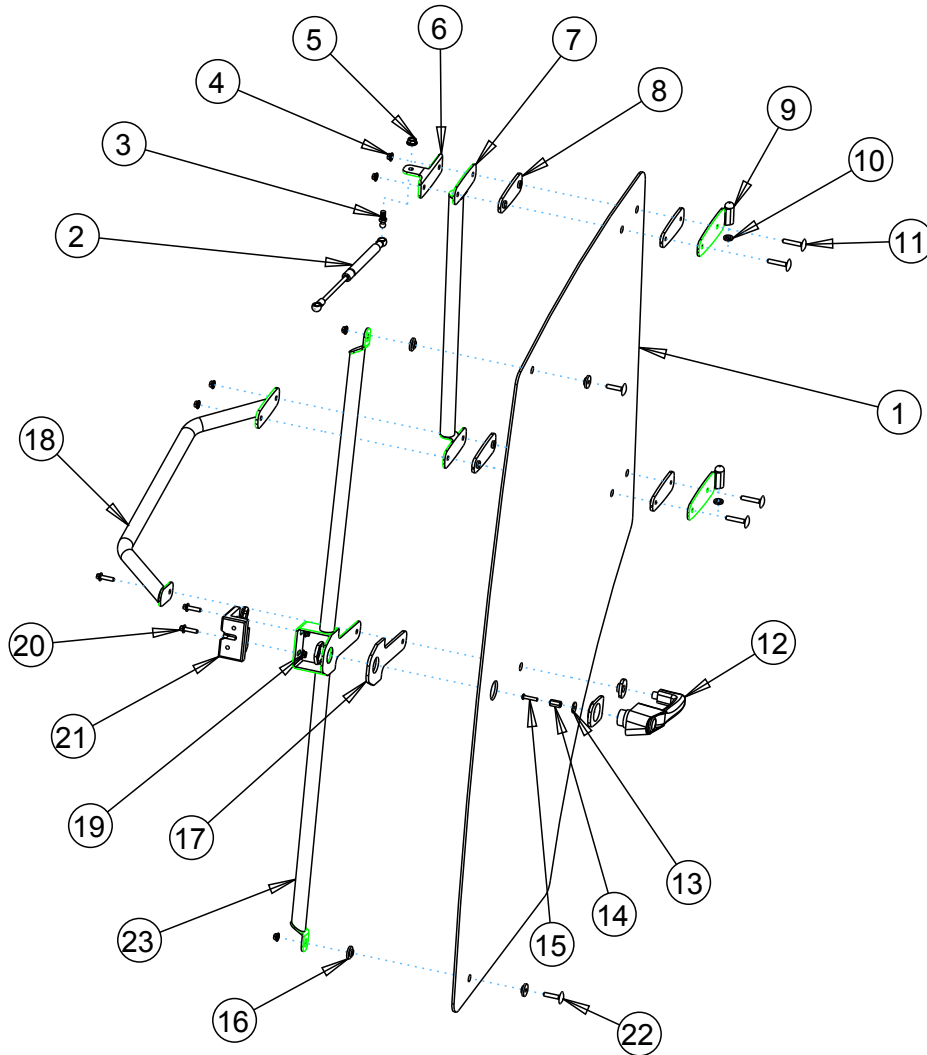
ILLUSTRATED DRAWING Escape Window Assembly



REF.	PART NO.	DESCRIPTION	QTY.
1	07.0101729	.WINDOW, ESCAPE	1
n/a	07.0101730	.WEATHERSTRIPPING, GLASS 10.2LF	1
2	99.K0115	.BOLT, STEP 1/4-20 X 1-1/4 BLK	6
3	07.0100378	.HINGE, ESCAPE WINDOW WELDMENT	2
4	07.0100362	.GUARD, NEOPRENE 5MM BLACK	2
5	07.0100382	.BUSHING, NEOPRENE 5MM BLACK	8
6	07.0100380	.WASHER, FLAT 1/4" YD	4
7	99.SF04	.NUT, SRF 1/4-20 USS	6
8	07.0100018	.NUT, 3/8 FLANGE LOCKING GR 8	1
9	07.0100017	.ARM, ESCAPE WINDOW LATCH	1
10	07.0100385	.BRACKET, ESCAPE WINDOW LATCH	1
11	97.0620	.BOLT, CARRIAGE 3/8 X 2 1/2	1

PARTS

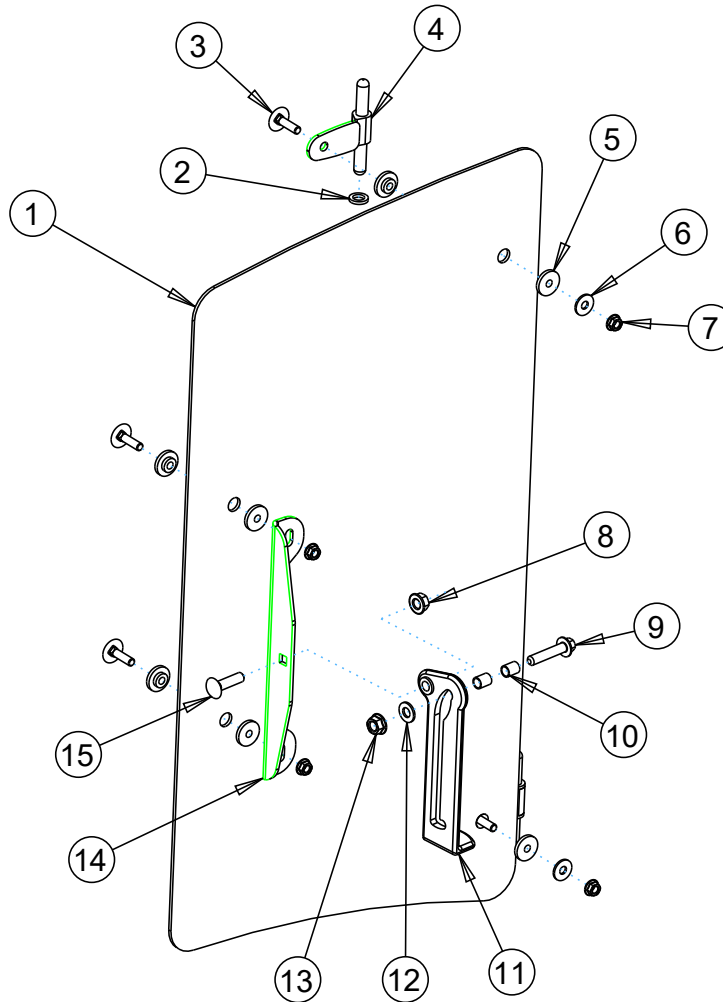
ILLUSTRATED DRAWING Door Assembly



REF.	PART NO.	DESCRIPTION	QTY.
1	07.0101731	WINDOW, DOOR GLASS LEFT	1
n/a	07.0101732	WEATHERSTRIPPING, GLASS 13.3LF	1
2	07.0100365	SHOCK, GAS LEFT DOOR	1
3	07.0100366	PIN, GAS SHOCK PIVOT BALL STUD	1
4	99.SF04	NUT, SRF 1/4-20 USS.	6
5	99.SF05	NUT, SRF 5/16-18 USS.	1
6	07.0100368	PLATE, GAS SHOCK MOUNTING	1
7	07.0101733	HINGE, DOOR SUPPORT WELDMENT	1
8	07.0100362	GUARD, NEOPRENE 5MM BLACK	4
9	07.0101148	WELDMENT, DOOR HINGE LEFT	2
10	07.0100026	WASHER, HINGE - FLAT BRASS	2
11	99.K0119	BOLT, STEP 1/4-20 X 1-1/2 BLK	4
12	07.0101445	HANDLE, CAB PUSH-BUTTON	1
13	07.0101478	WASHER, 3/16" FLAT	1
14	07.0101476	NUT, COUPLER 10-32 X 3/4"	1
15	07.0101477	MACHINE SCREW, 10-32 X 1-1/4"	1
16	07.0100382	BUSHING, NEOPRENE 5MM BLACK	4
17	07.0101397	BUSHING, DOOR HANDLE	1
18	07.0101734	BRACKET, DOOR GRAB BAR	1
19	07.0100008	NUT, FLANGE M6 X 1.0M YD.	2
20	07.0100007	BOLT, FLANGE M6 X 1.0 X 25MM	3
21	07.0100006	LATCH, DOOR - LEFT	1
22	99.K0115	BOLT, STEP 1/4-20 X 1-1/4 BLK	2
23	07.0101735	BRACKET, DOOR LATCH SUPPORT	1

PARTS

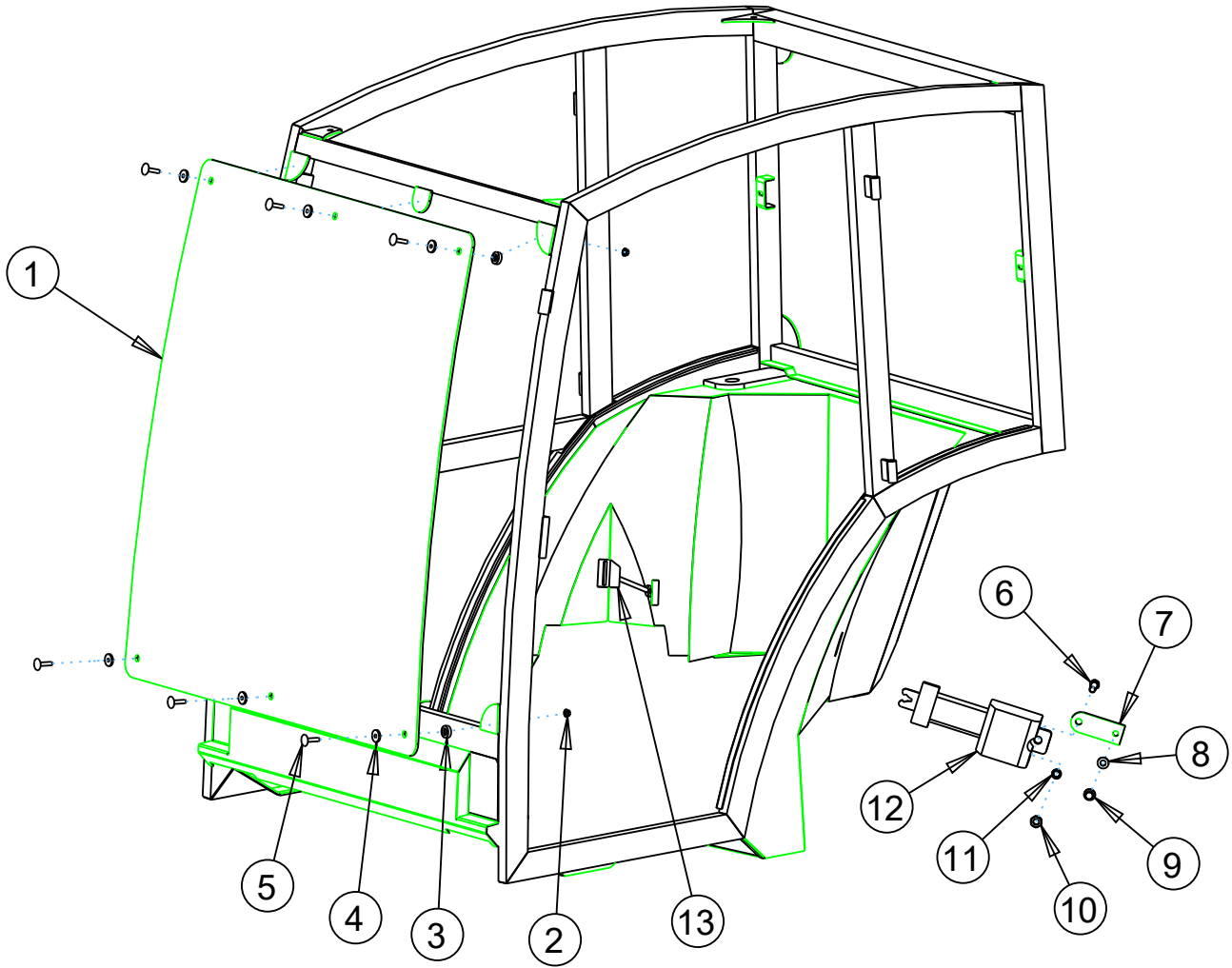
ILLUSTRATED DRAWING Side Opening Window Assembly (Left & Right)



REF.	PART NO.	DESCRIPTION	QTY.
1	07.0101736	.WINDOW, BACK SIDES	2
n/a	07.0101737	.WEATHERSTRIPPING, GLASS 7.4LF	2
2	07.0100026	.WASHER, HINGE - FLAT BRASS	4
3	99.K0115	.BOLT, STEP 1/4-20 X 1-1/4 BLK	8
4	07.0100379	.HINGE, SIDE WINDOW WELDMENT	4
5	07.0100382	.BUSHING, NEOPRENE 5MM BLACK	16
6	07.0100380	.WASHER, FLAT 1/4" YD	4
7	99.SF04	.NUT, SRF 1/4-20 USS	8
8	99.SF05	.NUT, SRF 5/16-18 USS	2
9	07.0100376	.BOLT, FLANGE 5/16 X 1-1/2 YD	2
10	07.0100033	.BUSHING, LATCH	4
11	07.0100027	.ARM, SIDE WINDOW LATCH LH	1
11	07.0100028	.ARM, SIDE WINDOW LATCH RH	1
12	95.05	.WASHER, FLAT 5/16 SAE	2
13	99.SF05	.NUT, SRF 5/16-18 USS	2
14	07.0100375	.BRACKET, SIDE WINDOW LATCH	2
15	97.0508	.BOLT, CARRIAGE 5/16 X 1	2

PARTS

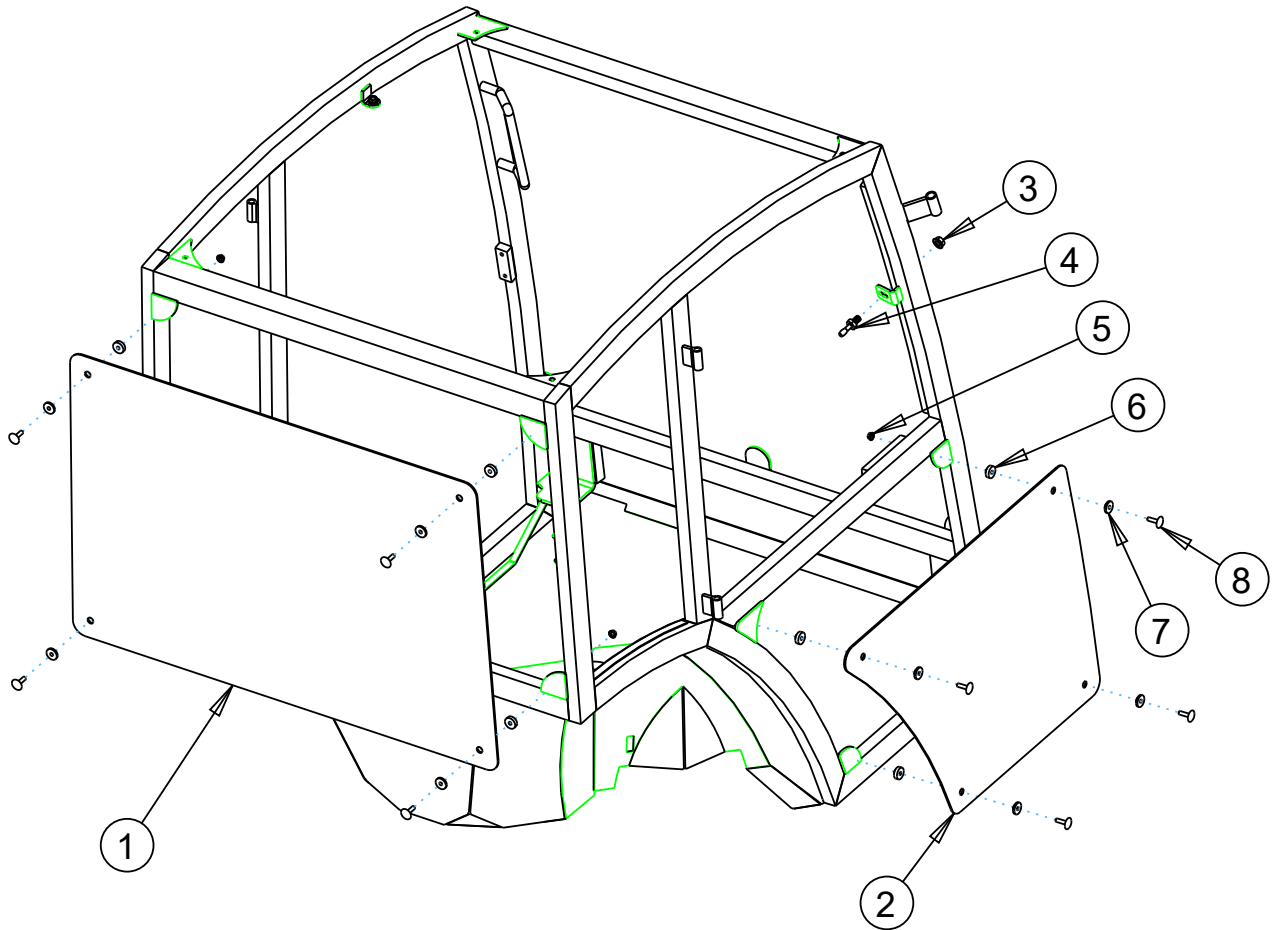
ILLUSTRATED DRAWING Front Glass & Seat Belt Assembly



REF.	PART NO.	DESCRIPTION	QTY.
1	07.0101742	WINDOW, FRONT WINDSHIELD	1
n/a	07.0101743	WEATHERSTRIPPING, GLASS 13.5LF	1
2	99.SF04	NUT, SRF 1/4-20 USS	6
3	07.0100381	BUSHING, NEOPRENE 8MM BLACK	6
4	07.0100382	BUSHING, NEOPRENE 5MM BLACK	6
5	99.K0115	BOLT, STEP 1/4-20 X 1-1/4 BLK	6
6	07.0100737	BOLT, 7/16 X 2" HEX GR. 8 UNF	2
7	07.0101744	PLATE, SEAT BELT MOUNTING	2
8	96.06	WASHER, LOCK 3/8	2
9	07.0100668	BOLT, 3/8 X 3/4" GR. 8 YD	2
10	07.0101047	NUT, 7/16 HEX UNF GRADE 8	2
11	96.07	WASHER, LOCK 7/16	2
12 & 13	07.0101131	KIT, SEAT BELT RETRACTABLE (Serial # Date Code 0711bm-xxx or earlier)	1
12 & 13	47.0180	SEAT BELT, LAP N/C SWITCH 60" (Serial # Date Code 0811bm-xxx or later)	1
12	47.0180-1	SEAT BELT, 60" LAP BELT (Serial # Date Code 0811bm-xxx or later)	1
13	47.0180-2	SEAT BELT, BUCKLE W N/C SWTCH (Serial # Date Code 0811bm-xxx or later)	1

PARTS

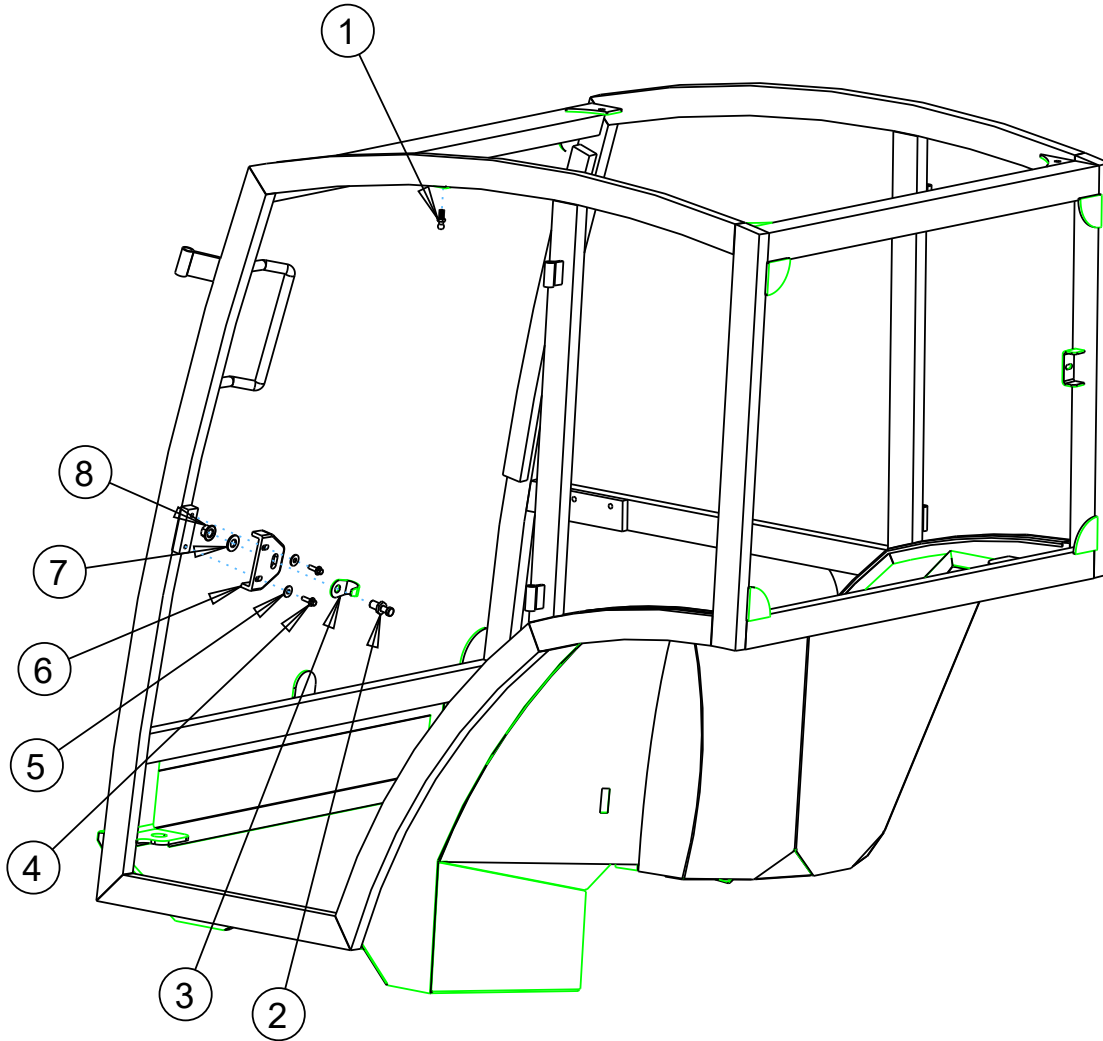
ILLUSTRATED DRAWING Fixed Glass & Right Side Parts



REF.	PART NO.	DESCRIPTION	QTY.
1	07.0101738	WINDOW, REAR	1
n/a	07.0101739	WEATHERSTRIPPING, GLASS 10.8LF	1
2	07.0101740	WINDOW, LOWER FRONT	1
na	07.0101741	WEATHERSTRIPPING, GLASS 8.3LF	1
3	99.M0021	NUT, SMF M10 X 1.5	1
4	07.0100019	PIN, WINDOW ARM	1
5	99.SF04	NUT, SRF 1/4-20 USS	8
6	07.0100381	BUSHING, NEOPRENE 8MM BLACK	8
7	07.0100382	BUSHING, NEOPRENE 5MM BLACK	8
8	99.K0115	BOLT, STEP 1/4-20 X 1-1/4 BLK	8

PARTS

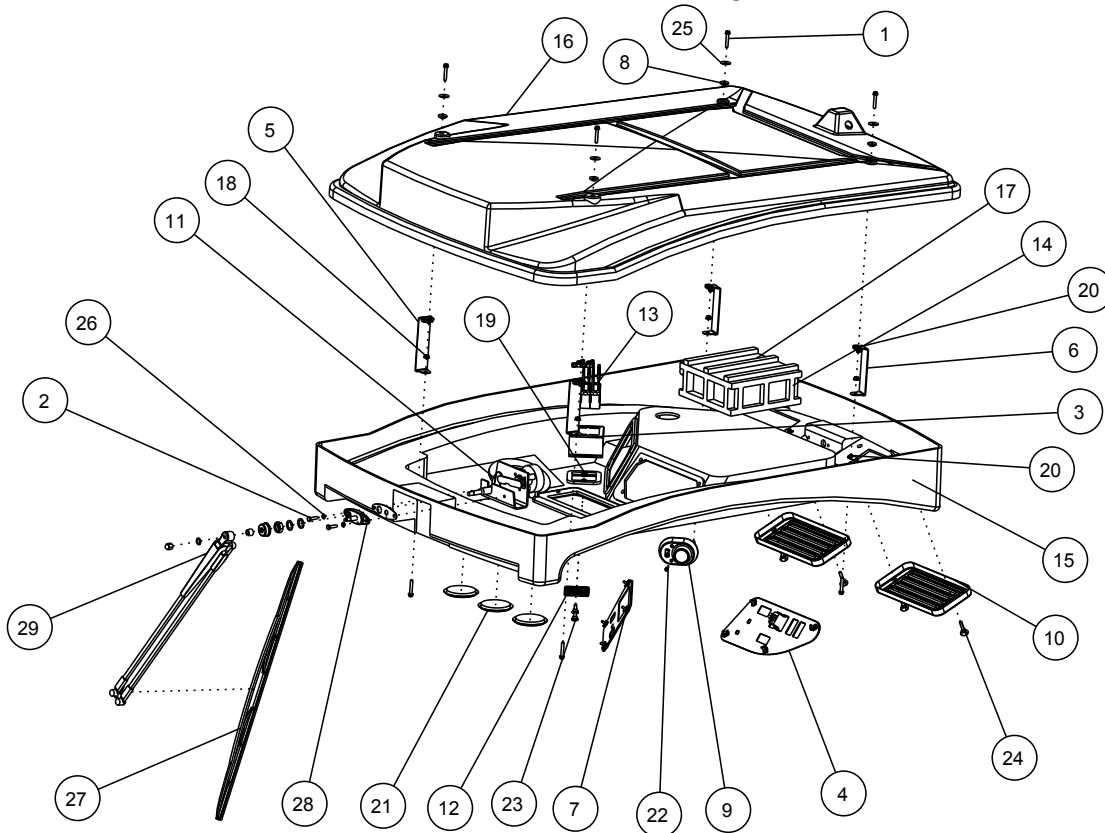
ILLUSTRATED DRAWING Left Side Parts



REF.	PART NO.	DESCRIPTION	QTY.
1	07.0100366	.PIN, GAS SHOCK PIVOT BALL STUD	2
n/a	07.0100367	.CLIP, GAS SHOCK	4
2	07.0100013	.PIN, STRIKER	1
3	07.0101646	.GUARD, STRIKER PIN	1
4	99.SF0404	.BOLT, SRF 1/4-20 X 1/2	2
n/a	07.0100478	.PLUG, LIFT HOLE BUTTONS	2
5	07.0100380	.WASHER, FLAT 1/4" YD	2
6	07.0101711	.PLATE, STRIKER MOUNT - RUBBER	1
7	95.08	.WASHER, FLAT 1/2 SAE	1
8	07.0100014	.NUT, STRIKER PIN	1

PARTS

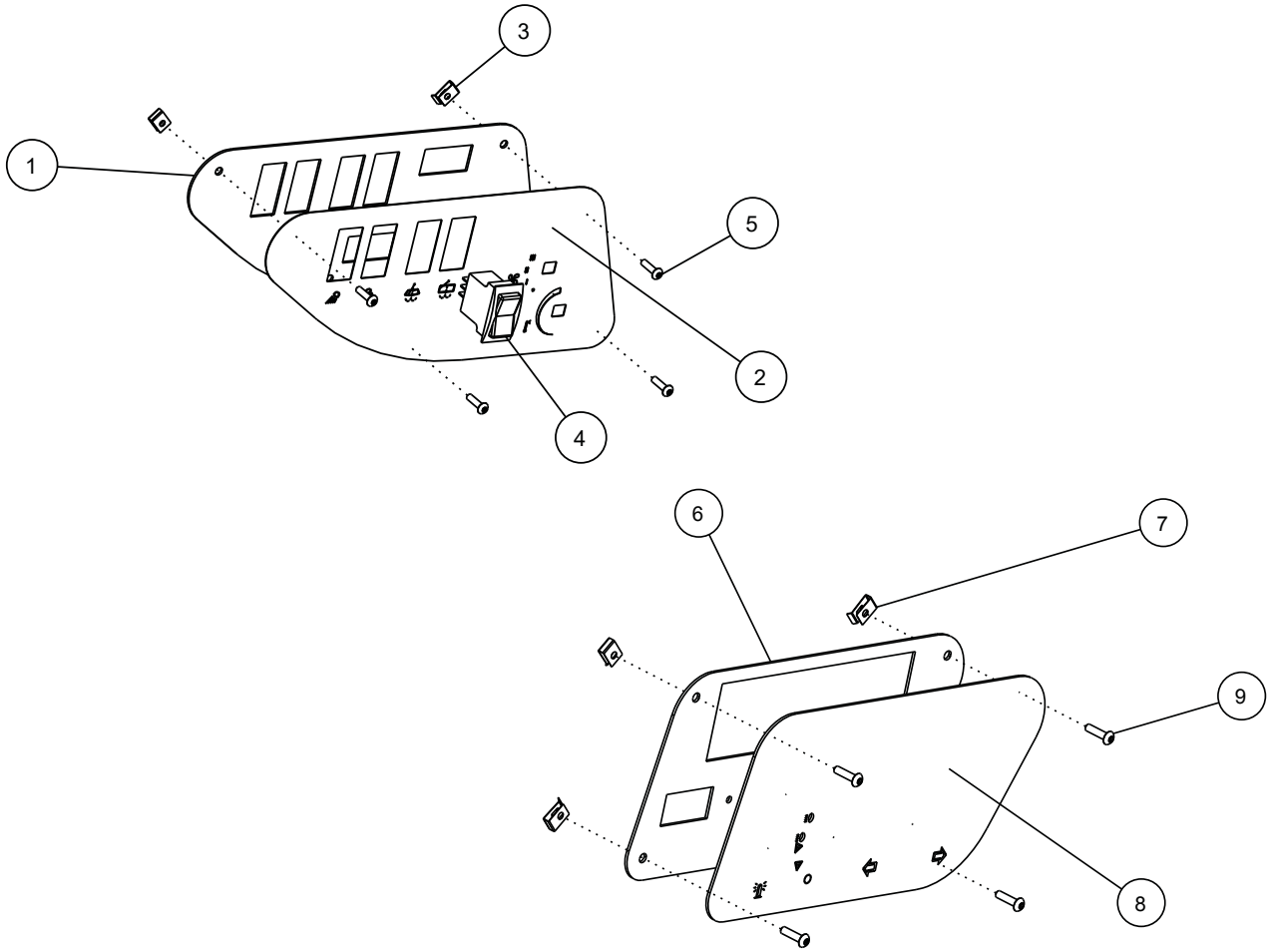
ILLUSTRATED DRAWING Headliner Assembly



REF.	PART NO.	DESCRIPTION	QTY.
1	07.0100626	BOLT, FLANGE 1/4" X 1-1/2" YD	8
2	07.0100059	BOLT, 1/4-28 NF X 1" YD	2
3	n/a	WELDMENT, FUSE BLOCK	1
4	Refer to page 38	LEFT SWITCH PLATE SUBASSEMBLY	1
5	07.0100487	PLATE, ROOF MOUNT - 5-3/4"	2
6	07.0100488	PLATE, ROOF MOUNT - 5"	2
7	Refer to page 38	RIGHT SWITCH PLATE SUBASSEMBLY	1
8	07.0100382	BUSHING, NEOPRENE 5MM BLACK	4
9	07.0100116	LIGHT, DOME DIRECTIONAL BLACK	1
n/a	33.0057	BULB, LIGHT 3/4" BULB DIA	1
10	07.0100153	COVER, FILTER UNVENTED	2
11	07.0100481	WIPER MOTOR W/PANTOGRAPH	1
12	07.0100476	COVER, FUSE PANEL W/DECAL	1
13	07.0100453	BLOCK, FUSE ATO 4 PORT	2
14	07.0100117	ROOF SPACER, CARDBOARD	1
15	07.0100111	HEADLINER, 53" X 67" BLACK	1
16	07.0102228	ROOF, 53" X 67" LURAN-S, RED	1
n/a	06.0068-185.25IN	TRIM, TRIM SEAL W/BULB x 185.25" (roof to headliner)	1
17	07.0101353	NDAX, 1/2" X 9"	3
18	99.SF04	NUT, SRF 1/4-20 USS	4
19	99.E0091	NUT, 'U' #10-24 EXTRUDED	2
20	99.E0046	NUT, 'U' 1/4-20 EXTRUDED	8
21	05.0127	PLUG, 3" HOLE SNAP-IN PLASTIC	3
22	99.K0118	SCREW, #8 X 1-1/4	2
23	07.0100115	SCREW, NYLON THUMB 10-24	2
24	07.0102058	KNOB, 1/4-20 X 1" 4-LOBE	4
25	07.0100380	WASHER, FLAT 1/4" YD	4
26	96.04	WASHER, LOCK 1/4	2
27	47.0278	WIPER BLADE, WINDSHIELD 23-1/2	1
28	07.0100532	ADAPTOR, PANTOGRAPH	1
29	47.0279	WIPER ARM, WINDSHIELD 22"	1
30	35.0129	RELAY, LW350 CAB (not pictured)	1

PARTS

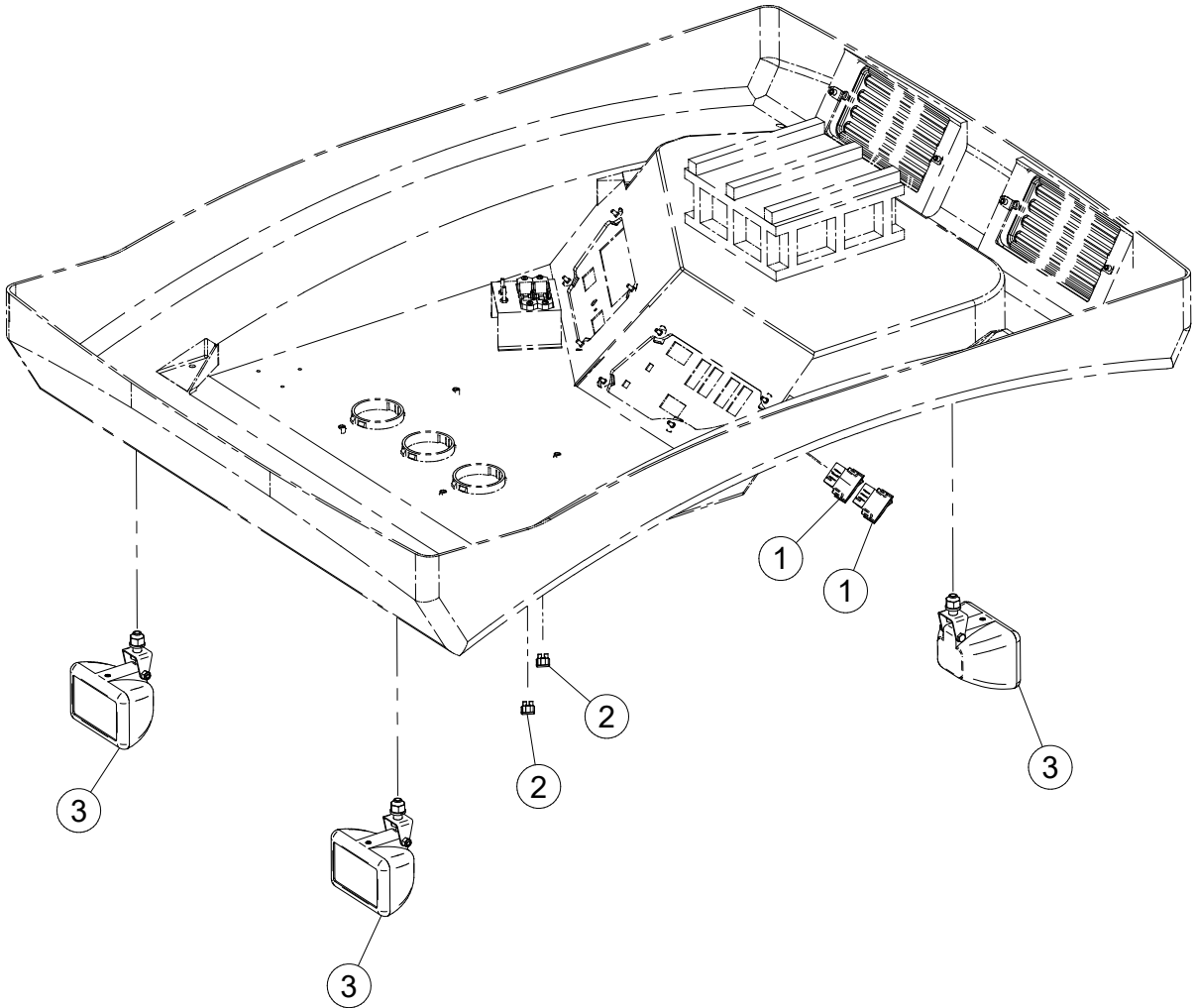
ILLUSTRATED DRAWING Left & Right Switch Plates



REF.	PART NO.	DESCRIPTION	QTY.
1	07.010013	.SWITCHPLATE, WIPER & HEATER	1
2	07.0100459	.DECAL, WIPER/HEATR SWITCHPLATE	1
3	99.E0091	.NUT, 'U' #10-24 EXTRUDED	4
4	31.0049	.SWITCH, WIPER ON/OFF/MON	1
5	07.0100477	.SCREW, BUTTON HEAD 10-24 X 3/4	4
6	07.010014	.SWITCHPLATE, DIRECTION SIGNALS	1
7	99.E0091	.NUT, 'U' #10-24 EXTRUDED	4
8	07.0100460	.DECAL, DIR SIGNAL SWITCHPLATE	1
9	07.0100477	.SCREW, BUTTON HEAD 10-24 X 3/4	4

PARTS

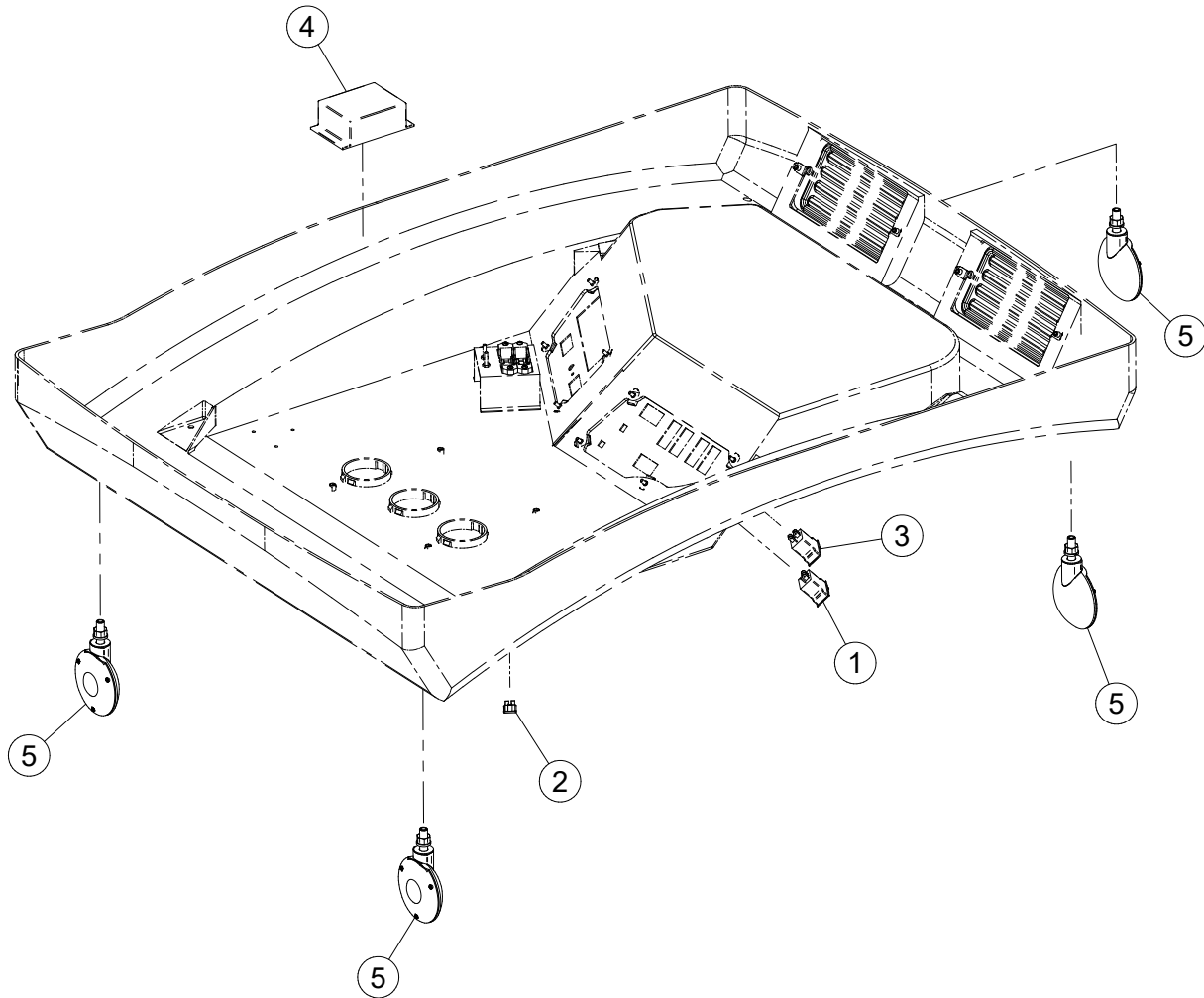
ILLUSTRATED DRAWING 70.2005-1 Work Light Kit



REF.	PART NO.	DESCRIPTION	QTY.
1	31.0050	.SWITCH, ROCKER ON/OFF	2
2	30.0203	.FUSE, 20 AMP ATC BLADE - YELLOW	2
3	07.0100731	.LIGHT, HALOGEN	3
n/a	33.0059	.BULB, LIGHT 37 WATT HALOGEN	1
n/a	07.0103975	.HARNES, WIRE WORK LIGHT	1

PARTS

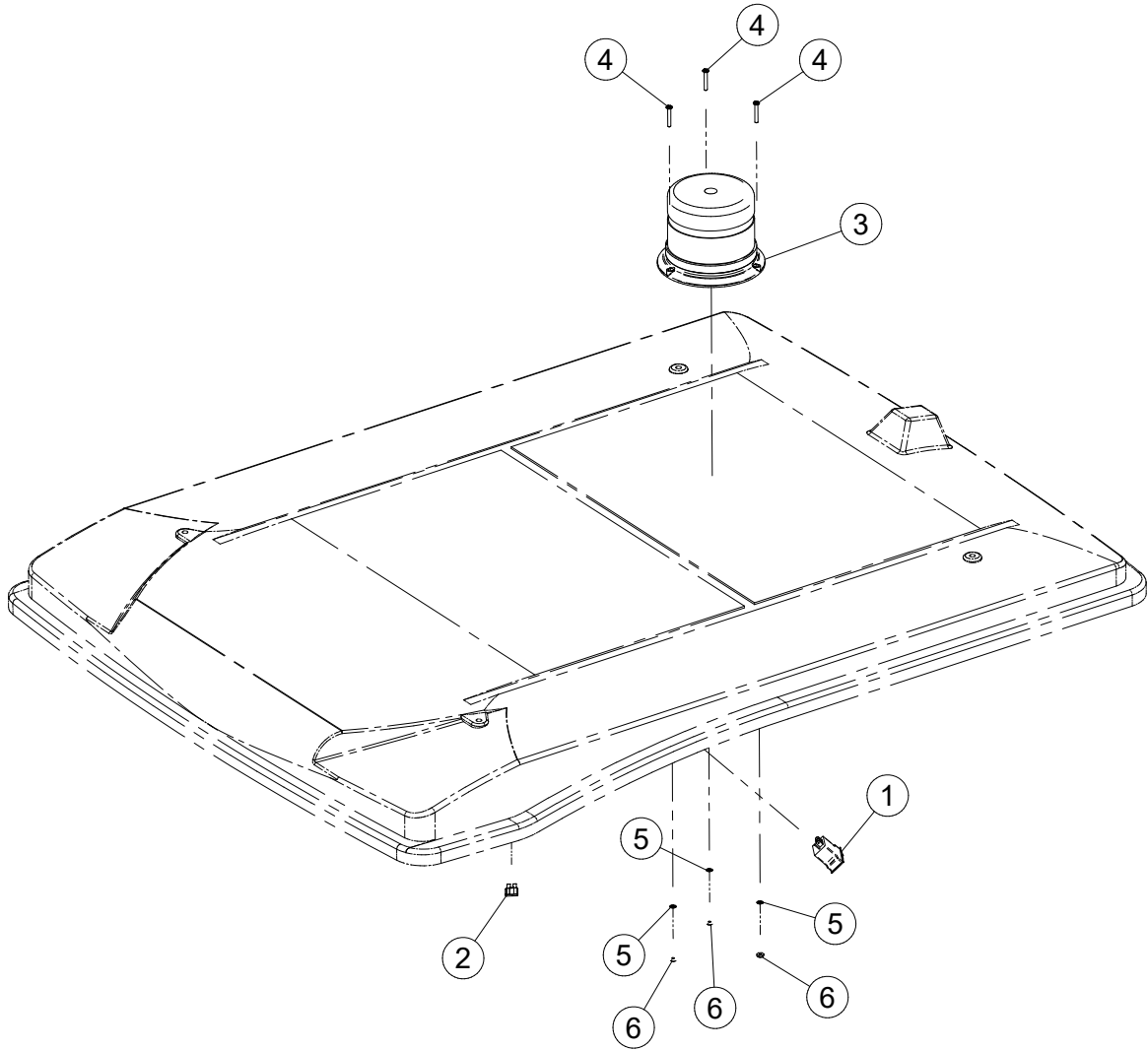
ILLUSTRATED DRAWING 70.2005-2 Directional Signal/Flasher Kit



REF.	PART NO.	DESCRIPTION	QTY.
1	31.0050	SWITCH, ROCKER ON/OFF	1
2	30.0203	FUSE, 20 AMP ATC BLADE - YELLOW	1
3	31.0051	SWITCH, ROCKER ON/OFF/ON	1
4	07.0101752	FLASHER, DUAL RATE	1
5	07.0100903	LIGHT, AMBER W/BULLETS	4
n/a	33.0058	BULB, LIGHT 1" BULB DIA	1
n/a	07.0100467	HARNES, WIRE - CAB HAZARD	1

PARTS

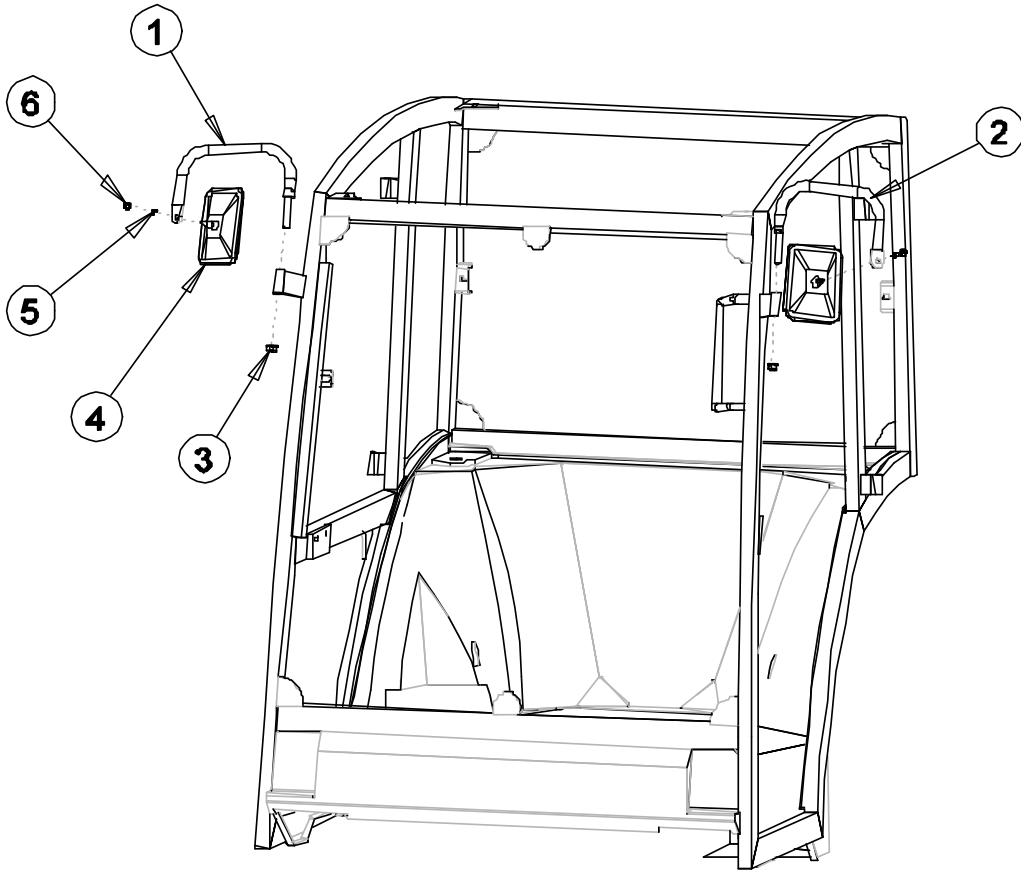
ILLUSTRATED DRAWING 70.2005-3 Strobe Beacon Kit



REF.	PART NO.	DESCRIPTION	QTY.
1	31.0050	SWITCH, ROCKER ON/OFF	1
2	30.0203	FUSE, 20 AMP ATC BLADE - YELLOW	1
3	07.0101272	LIGHT, STROBE	1
n/a	07.0102986	BULB, STROBE LIGHT	1
4	07.0101477	MACHINE SCREW, #10-32 X 1-1/4"	3
5	99.G0016	WASHER, STAR-INTERNAL #10	3
6	99.E0034	NUT, #10-32	3
n/a	07.0101749	HARNESS, WIRE - CAB STROBE	1
n/a	07.0101748	CONNECTOR, SWITCH BLOCK	1

PARTS

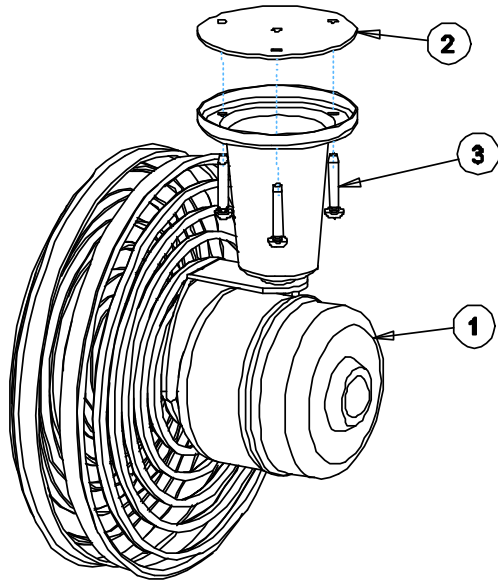
ILLUSTRATED DRAWING 70.2005-4 Exterior Mirror Kit



REF.	PART NO.	DESCRIPTION	QTY.
1	07.0100439	BRACKET, RIGHT MIRROR MOUNT	1
2	07.0100438	BRACKET, LEFT MIRROR MOUNT	1
3	99.A08	LOCKNUT, STOVER 1/2-13 USS	2
4	07.0100440	MIRROR, OUTSIDE CONVEX	2
5	96.04	WASHER, LOCK 1/4 (included with mirror)	2
6	92.04	NUT, 1/4-20 USS (included with mirror)	2

PARTS

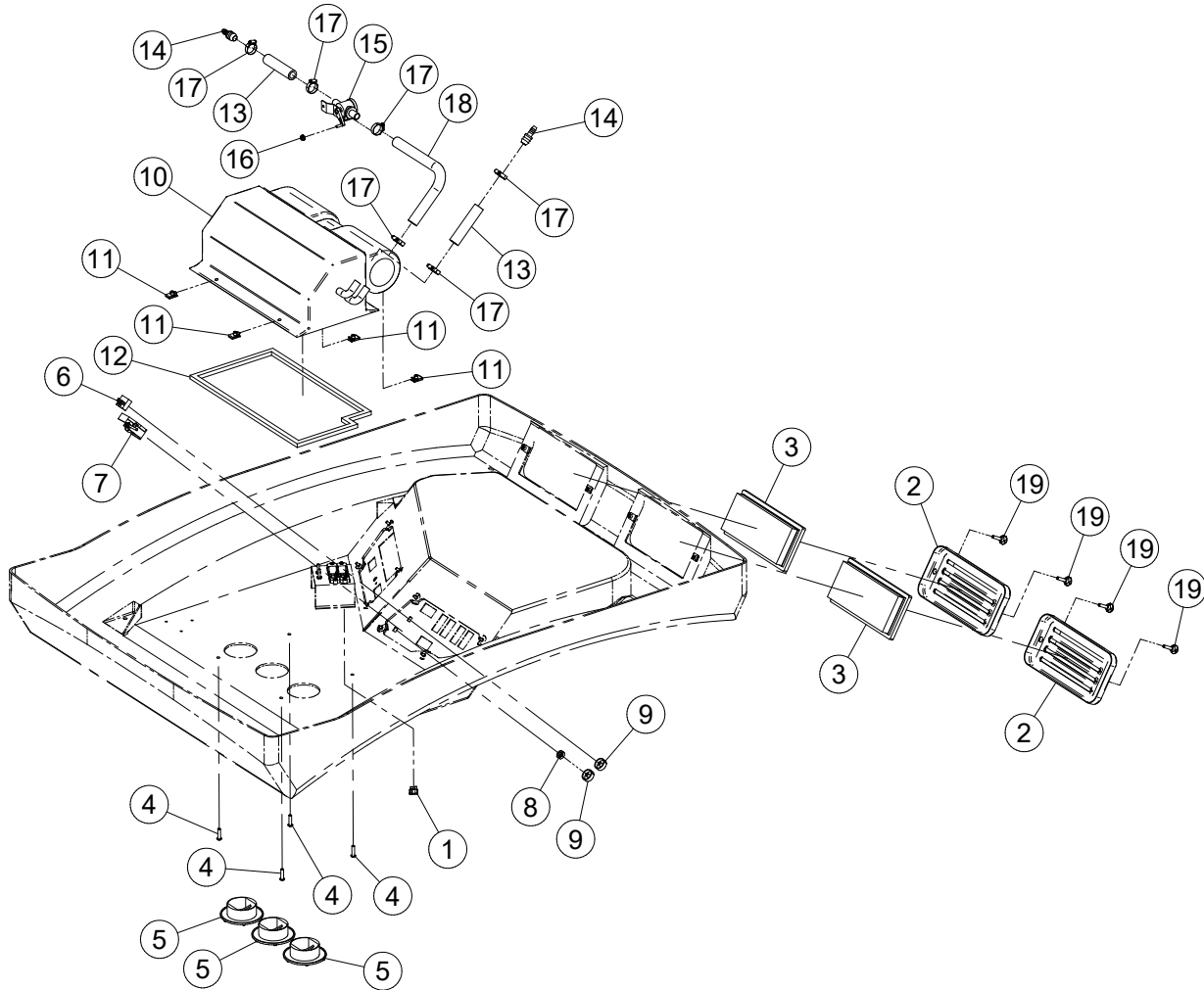
ILLUSTRATED DRAWING 70.2005-6 Defrost Fan kit



REF.	PART NO.	DESCRIPTION	QTY.
1	07.0101179	.FAN, DEFROST	1
2	n/a	.RUBBER SEAL (Included With Fan)	1
3	07.0100409	.SCREW, #8 X 1" MB	3
4	07.0100483	.HARNESS, WIRE - CAB DEFROST	1

PARTS

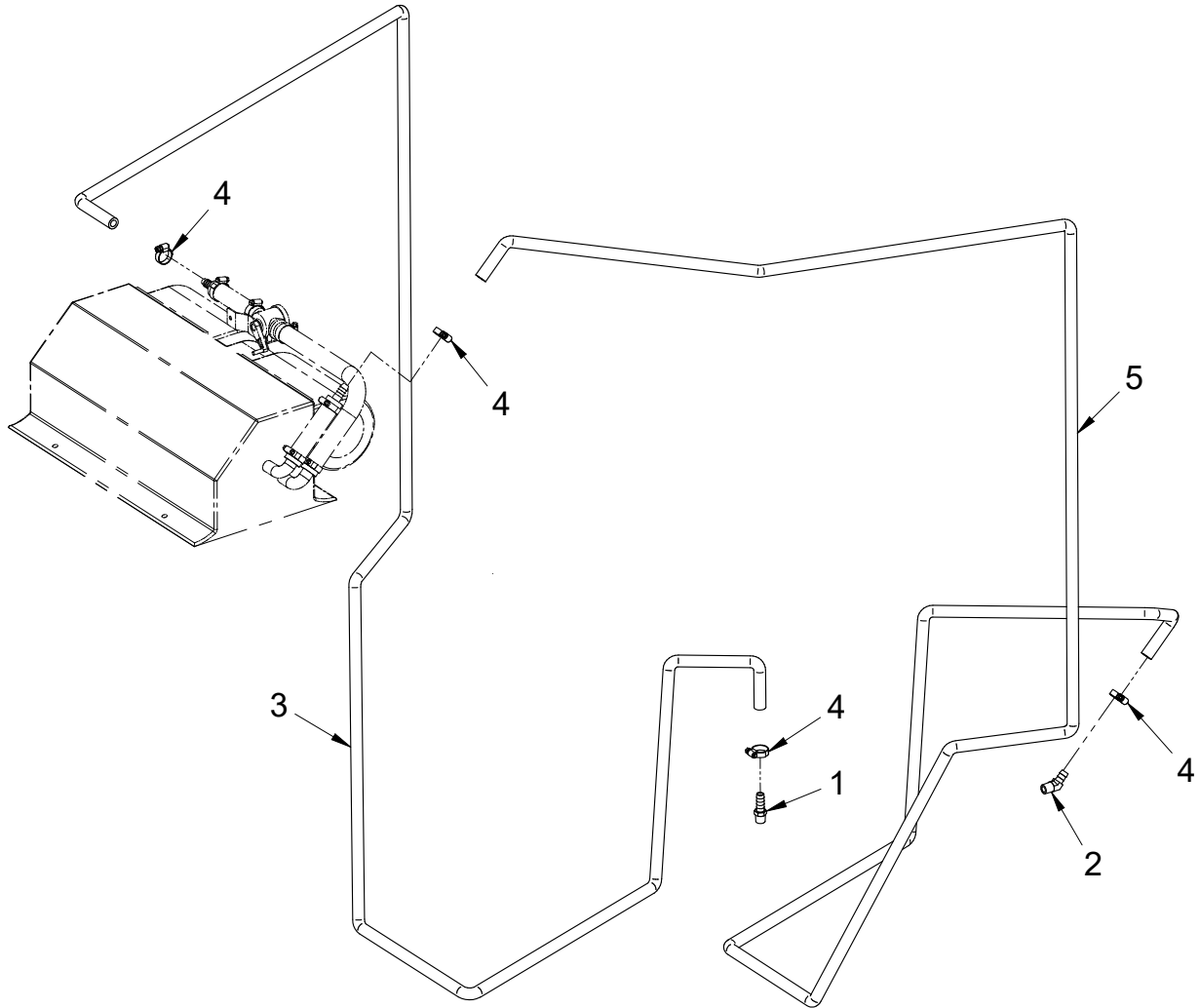
ILLUSTRATED DRAWING Console Fan/Heater



REF.	PART NO.	DESCRIPTION	QTY.
1	30.0203	FUSE, 20 AMP ATC BLADE - YELLOW	1
2	07.0101451	RETAINER, AIR FILTER VENTED	2
3	07.0101452	FILTER, AIR	2
4	07.0100441	SCREW, BUTTON HEAD 1/4 X 1"	4
5	07.0100405	VENT, LOUVER	3
6	07.0100158	SWITCH, 3-SPEED FAN	1
7	07.0100820	CABLE, ACTUATOR W/NUT	1
8	07.0101223	NUT, 7/16" X 28 UNEF ZP	1
9	07.0100817	KNOB, HEATER	2
10	07.0101034	HEATER, UNIT	1
	07.010026	HEATER, BLOWER ASSEMBLY	1
	07.0100194	CORE, HEATER	1
	07.0100816	MOTOR, FAN	1
	07.0100818	FAN, REEL ONLY	1
	07.0100821	HOUSING, FAN	1
11	99.E0046	NUT, "U" 1/4-20 EXTRUDED	4
12	07.0101167	TAPE, FOAM 3/8 X 1/2 - 55" LONG	1
13	07.0101065*	HOSE, 5/8" ID X 4"	2
14	07.0101077	REDUCER, 5/8 X 3/8 BARB, NYLON	2
15	07.0100819	VALVE, ROTARY	1
16	99.E0098	NUT, SRF # 10-24	1
17	11.0052	CLAMP, HOSE SS 13/16 X 1-1/2	6
18	07.0101065*	HOSE, 5/8" ID X 18	1
19	07.0102058	KNOB, 1/4-20 X 1" 4-LOBE	4

PARTS

ILLUSTRATED DRAWING Heater Hoses To Engine



REF.	PART NO.	DESCRIPTION	QTY.
1	07.0101753	FITTING, 1/4NPTX3/8 BARB 180D	1
2	07.0101754	FITTING, 1/4NPT X 3/8 BARB 45D	1
3	27.R06-156IN	HOSE, HEATER 3/8" SAE J20R3 X 156"	1
4	11.0032	CLAMP, HOSE S/S 7/16-25/32	4
5	27.R06-168IN	HOSE, HEATER 3/8" SAE J20R3 X 168"	1

WARRANTY



LIMITED WARRANTY - VENTRAC TURF EQUIPMENT

Venture Products, Inc., (henceforth referred to as V.P.I.) warrants on the terms and conditions herein, that it will repair, replace, or adjust any part manufactured by Venture Products Inc., and found by Venture Products, Inc., to be defective in material and/or workmanship during the applicable warranty term.

All Ventrac commercial equipment purchased and registered on or after January 1, 2019 will carry a 2-year commercial warranty. The warranty period begins on the date of original customer purchase:

Ventrac Commercial Equipment	Warranty Term
2100 SSV & Attachments	2-year
3000 Series Tractors & Attachments	2-year
4000 Series Tractors & Attachments	2-year

All Ventrac add-on kits and accessories such as: 3-point hitch, 12V front & rear power outlets, foot pedal, dual wheel kit, etc., will be covered under the above warranty periods provided they are installed by an Authorized Ventrac Dealer. This warranty may be transferred and will carry the remainder of the warranty starting from the original purchase/registration date with the dealership and/or V.P.I.

The engine warranty is covered by its respective engine manufacturer. Please refer to the engine manufacturer's warranty statement that is included in the owner's manual.

For warranty consideration on Ventrac commercial equipment, including any defective part, must be returned to an Authorized Ventrac Dealer within the warranty period. The warranty shall extend to the cost to repair or replace (as determined by V.P.I.) the defective part. The expense of pickup and delivery of equipment, service call drive time or any transportation expense incurred for warranty repair is the sole responsibility of the owner and is not covered under warranty by Ventrac and/or V.P.I. Ventrac and V.P.I.'s responsibility in respect to claims is limited to making the required repairs or replacements, and no claim of breach of warranty shall be cause for cancellation or rescission of the contract of sale of any Ventrac equipment. Proof of purchase may be required by the dealer to substantiate any warranty claim. Only warranty work performed and submitted by an Authorized Ventrac Dealer may be eligible for warranty credit.

This warranty extends only to Ventrac commercial equipment operated under normal conditions and properly serviced and maintained. The warranty expressly does NOT cover: (a) any defects, damage or deterioration due to normal use, wear and tear, or exposure; (b) normal maintenance services, such as cleaning, lubrication, oil change; (c) replacement of service items, such as oil, lubricants, spark plugs, belts, rubber hoses, bearings or other items subject to normal service replacement; (d) damage or defects arising out of, or relating to abuse, misuse, neglect, alteration, negligence or accident; (e) repair or replacement arising from operation of, or use of the equipment which is not in accordance with operating instructions as specified in the operator's manual or other operational instructions provided by V.P.I.; (f) repair or replacement arising as a result of any operation from Ventrac equipment that has been altered or modified so as to, in the determination of V.P.I., adversely affect the operation, performance or durability of the equipment or that has altered, modified or affected the equipment so as to change the intended use of the product; (g) repair or replacement necessitated by the use of parts, accessories or supplies, including gasoline, oil or lubricants, incompatible with the equipment or other than as recommended in the operator's manual or other operational instructions provided by V.P.I.; (h) repairs or replacements resulting from parts or accessories which have adversely affected the operation, performance or durability of the equipment; or (i) damage or defects due to or arising out of repair of Ventrac equipment by person or persons other than an authorized Ventrac service dealer or the installation of parts other than genuine Ventrac parts or Ventrac recommended parts.

WARRANTY



LIMITED WARRANTY - VENTRAC TURF EQUIPMENT

The sole liability of V.P.I. with respect to this warranty shall be the repair and replacement as set forth herein. V.P.I. shall have no liability for any other cost, loss, or damage. In particular V.P.I shall have no liability or responsibility for: (i) expenses relating to gasoline, oil, lubricants; (ii) loss, cost or expense relating to transportation or delivery of turf equipment from the location of owner or location where used by owner to or from any Authorized Ventrac Dealer; (iii) travel time, overtime, after hours' time or other extraordinary repair charges or charge relating to repairs or replacements outside of normal business hours at the place of business of an Authorized Ventrac Dealer; (iv) rental of like or similar replacement equipment during the period of any warranty repair or replacement work; (v) any telephone or telegram charges; (vi) loss or damage to person or property other than that covered by the terms of this warranty; (vii) any claims for lost revenue, lost profit or additional cost or expense incurred as a result of a claim of breach of warranty; or (viii) attorney's fees.

The remedies of buyer set forth herein are exclusive and are in lieu of all other remedies. The liability of V.P.I., whether in contract, tort, under any warranty, or otherwise, shall not extend beyond its obligation as set forth herein. V.P.I. shall not be liable for cost of removal or installation nor shall V.P.I. be responsible for any direct, indirect, special or consequential damages of any nature. In no event shall V.P.I. be liable for any sum in excess of the price received for the goods for which liability is claimed.

There are no representations or warranties which have been authorized to the buyer of the Ventrac commercial equipment other than set forth in this warranty. Any and all statements or representations made by any seller of this equipment, including those set forth in any sales literature or made orally by any sales representative, are superseded by the terms of this warranty. Any affirmation of fact or promise made by V.P.I. or any of its representatives to the buyer which relates to the goods that are the subject to this warranty shall not be regarded as part of the basis of the bargain and shall not be deemed to create any express warranty that such goods shall conform to the affirmation or promise.

No employee, distributor, or representative is authorized to change the foregoing warranties in any way or grant any other warranty on behalf of V.P.I.

Some states do not allow limitations on how long an implied warranty lasts or allow the exclusion on limitation of incidental or consequential damages, so the above limitation or exclusion may not apply to you.

This warranty gives you specific legal rights, and you may also have other rights which vary from state to state.

This warranty applies to all Ventrac commercial equipment sold by Venture Products Inc.