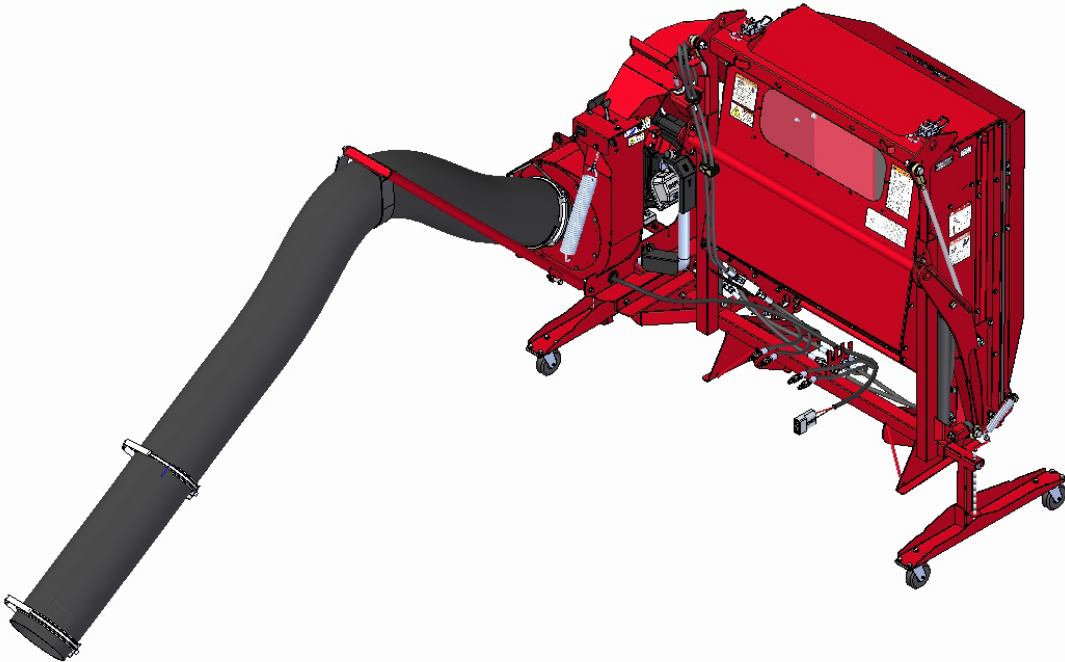




**OPERATOR'S MANUAL
& PARTS DRAWINGS**

COLLECTION VACUUM

MODEL RV600



Revised 02/04/20
09.10057 Rev. 01



500 Venture Drive
Orrville Oh 44667
www.ventrac.com

To the Owner Contact Information and Product Identification

If you need to contact an authorized Ventrac dealer for information on servicing your product, always provide the product model and serial numbers.

Please fill in the following information for future reference. See the picture(s) below to find the location of the identification numbers. Record them in the spaces provided.

Date of Purchase: _____

Dealer: _____

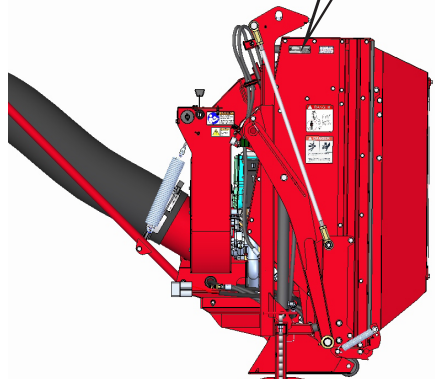
Dealer Address: _____

Dealer Phone Number: _____

Dealer Fax Number: _____

Model # (A): _____
Serial # (B): _____

Affix Part/Serial Number label here.



Venture Products Inc. reserves the right to make changes in design or specifications without obligation to make like changes on previously manufactured products.

TABLE OF CONTENTS

INTRODUCTION	PAGE 5
Product Description.....	5
Why Do I Need an Operator’s Manual?	5
Using Your Manual	6
Manual Glossary	6
SAFETY	PAGE 7
Safety Decals	7
General Safety Procedures.....	9
Training Required.....	9
Personal Protective Equipment Requirements	9
Operating Safely	9
Preventing Accidents.....	10
Keep Riders Off.....	10
Operating On Slopes.....	11
Roadway Safety	11
Truck Or Trailer Transport	11
Maintenance.....	12
Fuel Safety	12
Hydraulic Safety	13
Engine and Blower Fan Safety.....	14
Cutting Unit Safety	14
Material Collection Safety	14
Safety Interlock System	14
OPERATIONAL CONTROLS	PAGE 15
Operational Control Locations.....	15
Ignition Key Switch (A).....	15
Throttle (B).....	15
Hour Meter (C)	15
Choke (D).....	15
Left Rear Auxiliary Hydraulics Handle (E).....	15
Right Rear Auxiliary Hydraulics Handle (F).....	15
Daily Inspection.....	16
Attaching - Pin Connect Hitch System	16
Attaching - Fast Connect System with Docking Station	17
Detaching - Pin Connect Hitch System	18
Detaching - Fast Connect System with Docking Station.....	19
Mowing and Operating Procedure	19
Mowing Speed	20
Checking For and Removing Obstructions from the Collection System	20
Emptying the Collection Bin	20
Transport of the Tractor and RV600 Collection System.....	20

TABLE OF CONTENTS

SERVICE	PAGE 21
Cleaning and General Maintenance.....	21
Servicing the Collection System with the Bin in the Raised Position	21
Tractor Tire Pressure	21
Automatic Engine Shut-off Switch.....	21
Changing Engine Oil	22
Servicing Air Filter Elements	22
Servicing Fuel Filter	23
Servicing Air Cooling System	23
Service & Lubrication Chart	23
Maintenance Schedule.....	24
Maintenance Checklist.....	24
Storage.....	25
SPECIFICATIONS	PAGE 26
Dimensions	26
Engine.....	26
Features.....	26
Tractor Requirements	26
PARTS	PAGE 27
Electrical Diagram.....	27
Bin - Front Panel	28
Bin - Left Side Panel	30
Bin - Right Side Panel	32
Bin - Floor and Window.....	34
Bin Door and Latch	36
Door Hydraulics.....	38
Main Frame and Lift Frame.....	40
Bin Lift Hydraulics	42
Rollbar Mount.....	44
Engine and Guard	46
Engine Controls & Electrical Components	48
Battery Cable Connector.....	50
Fan and Upper Chute.....	52
Vacuum Hose and Support Arm.....	54
Storage Stand with Casters	56
70.8090 HM602 Discharge Boot.....	58
70.8091 HM/HP722 Discharge Boot.....	60
70.8094 Pin Connect Hitch	62
70.8093 Standard Fast Connect Hitch.....	64
70.8095 3 Point Fast Connect Hitch	66
70.8092 Docking Station Base.....	68
70.8092 Docking Station Latch	70
WARRANTY	PAGE 72

INTRODUCTION



Venture Products Inc. is pleased to provide you with your new Ventrac attachment! We hope that this equipment will open up a *world of opportunities* for you.

Listed below are just some of the items that can provide you *versatility* as you use your RV600. Please visit our web site, or contact your authorized Ventrac dealer for a complete list of items available for your new machine.

Accessories	Item Description	Part Number
	HM602 Collection Vacuum Boot	70.8090
	HM/HP722 Collection Vacuum Boot	70.8091
	Pin Connect Hitch (Tractor with either Standard or 3 Point Hitch)	70.8094
	Fast Connect Hitch (Tractor with Standard Hitch)	70.8093
	Fast Connect Hitch (Tractor with 3 Point Hitch)	70.8095
	Docking Station	70.8092

Product Description

The Ventrac RV600 vacuum collection system is designed for the sole purpose of grass and leaf collection. The vacuum collection system consists of three primary components.

1. The bin assembly mounts to the rear of the 4000 series tractor.
2. The suction/blower system is powered by a 9 hp engine with electric start for efficient pickup and superior performance.
3. The high lift mechanism raises the collection bin up to 60 inches (152 cm) to dump the contents into a garbage bin or trailer.

Why Do I Need an Operator's Manual?

This manual has been created to help you gain the important knowledge of what is needed to safely operate, maintain, and service your machine. It is divided into sections for convenient reference of the appropriate section.

You must read and understand the operator's manual for each piece of Ventrac equipment you own. Reading the operator's manual will help you become familiar with each specific piece of equipment. Understanding the operator's manual will help you, as well as others, avoid personal injury and/or damage to the equipment. Keep this manual with the machine at all times. The manual should remain with the machine even if it is sold. If this manual becomes damaged or unreadable, it should be replaced immediately. Contact your local Ventrac dealer for a replacement.

When using a Ventrac attachment, be sure to read and follow the safety and operating instructions of both the power unit and the attachment being used to ensure the safest operation possible.

The information in this manual provides the operator with the safest procedures to operate the machine while getting the maximum use out of the unit. Failure to follow the safety precautions listed in this manual may result in personal injury and/or damage to the equipment.

INTRODUCTION

Using Your Manual

Throughout this manual, you will encounter special messages and symbols that identify potential safety concerns to help you as well as others avoid personal injury or damage to the equipment.

SYMBOL DEFINITIONS



ATTENTION

This symbol identifies potential health and safety hazards. It marks safety precautions. Your safety and the safety of others is involved.

There are three signal words that describe the level of safety concern: Danger, Warning, and Caution. Safety should always be the #1 priority when working on or operating equipment. Accidents are more likely to occur when proper operating procedures are not followed or inexperienced operators are involved.

Note: Right-Hand and Left-Hand orientations may be referred to at different places throughout this manual. Right-Hand and Left-Hand is determined as if sitting on the power unit seat facing forward.

SIGNAL WORD DEFINITIONS

⚠ DANGER

Indicates an imminently hazardous situation which, if not avoided, will result in death or serious injury. This signal word is limited to the most extreme cases.

⚠ WARNING

Indicates a potentially hazardous situation which, if not avoided, could result in death or serious injury.

⚠ CAUTION

Indicates a potentially hazardous situation which, if not avoided, may result in minor or moderate injury and/or property damage. It may also be used to alert against unsafe practices.

Manual Glossary

- Power Unit** A Ventrac tractor or other Ventrac engine powered device that may be operated by itself or with an attachment or accessory.
- Attachment** A piece of Ventrac equipment that requires a Power Unit for operation.
- Accessory** A device that attaches to a Power Unit or Attachment to extend its capabilities.
- Machine** Describes any "Attachment" or "Accessory" that is used in conjunction with a power unit.

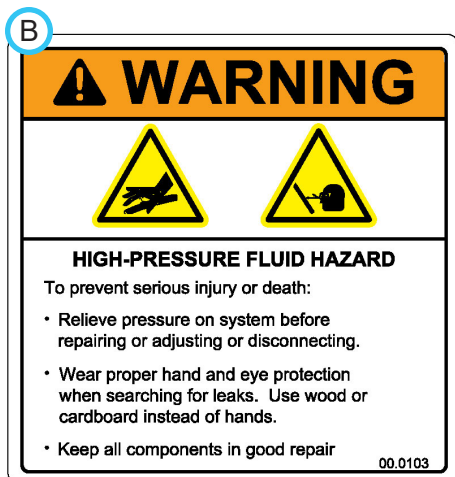
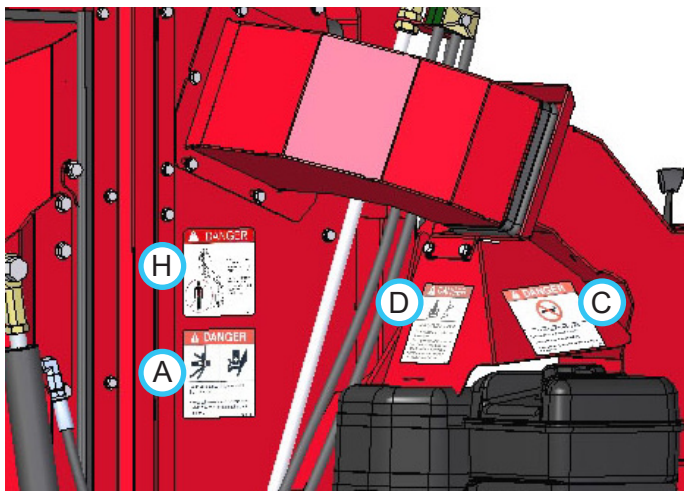
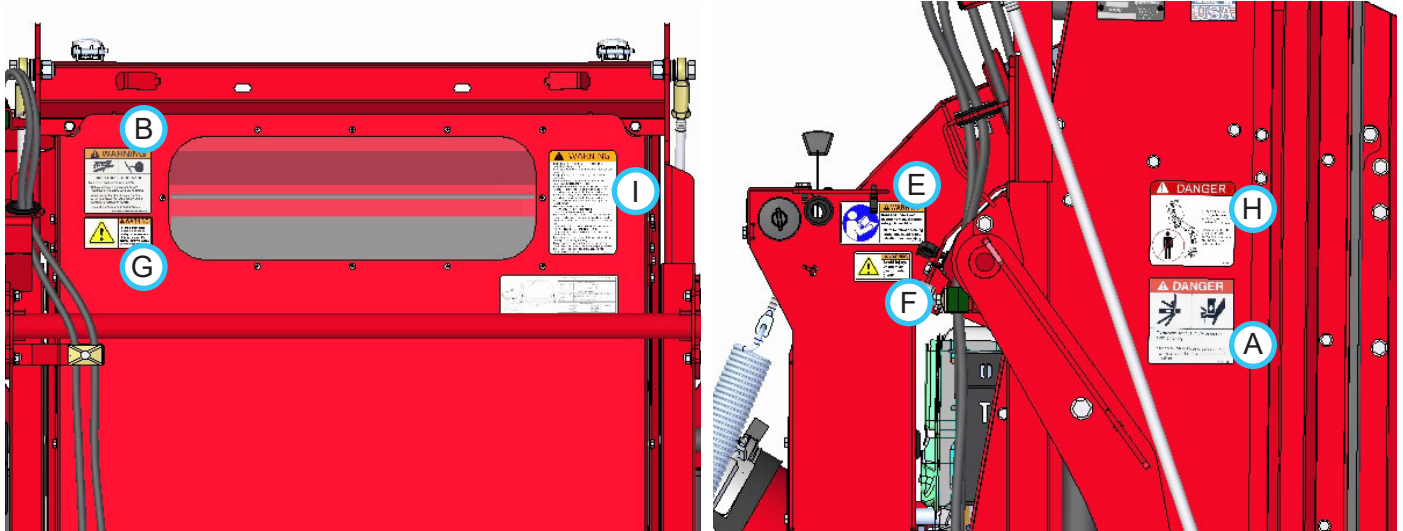
SAFETY

Safety Decals

The following safety decals must be maintained on your RV600 Collection System.


Keep all safety decals legible. Remove all grease, dirt, and debris from safety decals and instructional labels. If any decals are faded, illegible, or missing, contact your dealer promptly for replacements.

When new components are installed, be sure that current safety decals are affixed to the replacement components.



SAFETY

E



WARNING

Read and understand operator's manual before using this machine.

Failure to follow operating instructions could result in death or serious injury.

PART NO. 00.0217

F



WARNING

Avoid Injury. Do not reach over or under guards.

PART NO. 00.0219

G



WARNING

For the safety of all personnel, DO NOT modify or remove any of this equipment's guards, safety devices or warning labels.

PART NO. 00.0220

H

DANGER



- Keep all persons and objects clear while any part of this machine is in motion
- Always install the cylinder lift lock before working on or around the raised collection bin

00.0267

I

WARNING

- Read and Understand Operator's Manual before operating this machine
- Wear approved hearing and eye protection devices at all times
- Keep operating area clear of bystanders and obstacles
- Before backing, look for pets or persons that may have entered the work area
- An attachment weighing 175 lbs (79 kg) or more must be attached to the front at all times when the collection system is attached to the tractor
- Rear tractor weights must be removed when the collection system is attached to the tractor
- Use caution when operating on hills, slopes, and rough terrain
- Maximum angle of operation:
 - 10° with single wheels installed
 - 15° with dual wheels installed
- Do not operate tractor, mower, or collection system with the collection bin in a raised position except when on a level surface and to empty the collection bin
- Stop the tractor PTO and collection system engine when raising or emptying collection bin
- Stop both tractor and collection system engines when refueling
- Do not connect or disconnect the collection system battery cable during refueling
- Never operate mower without collection boot or side discharge chute in place and properly secured
- Empty collection bin after every use. Do not store with material left in bin

00.0269

J

WARNING

- Read and Understand Operator's Manual before operating this machine
- Wear approved hearing and eye protection devices at all times
- Keep operating area clear of bystanders and obstacles
- Before backing, look for pets or persons that may have entered the work area

Operation of tractor with collection system:

- An attachment weighing 175 lbs (79 kg) or more must be attached to the front at all times when the collection system is attached to the tractor
- Rear tractor weights must be removed when the collection system is attached to the tractor
- Use caution when operating on hills, slopes, and rough terrain
- Maximum angle of operation:
 - 10° with single wheels installed
 - 15° with dual wheels installed
- Do not operate tractor, mower, or collection system with the collection bin in a raised position except when on a level surface and to empty the collection bin
- Stop the tractor PTO and collection system engine when raising or emptying collection bin
- Stop both tractor and collection system engines when refueling
- Do not connect or disconnect the collection system battery cable during refueling

Operation of tractor without the collection system:

- Install rear weights onto tractor as required
- Mower side discharge chute must be in place and properly secured

00.0268

Decal	Description	Part Number	Quantity
A	Danger, Pinching Hazard	00.0102	2
B	Warning - High Pressure Fluid Hazard	00.0103	1
C	Danger - Explosion Hazard	00.0121	1
D	Danger - Thrown Object Hazard	00.0122	1
E	Warning - Read Owner's Manual	00.0217	1
F	Warning - Do Not Reach	00.0219	1
G	Warning - General Safety	00.0220	1
H	Danger - RV600	00.0267	2
I	Warning - Collection System	00.0269	1
J	Warning - Collection System (Decal on Tractor Toolbox Lid)	00.0268	1

SAFETY



General Safety Procedures for Ventrac Power Units, Attachments, & Accessories



Training Required

- The owner of this machine is solely responsible for properly training the operators.
- The owner/operator is solely responsible for the operation of this machine and prevention of accidents or injuries occurring to him/herself, other people, or property.
- Do not allow operation or service by children or untrained personnel. Local regulations may restrict the age of the operator.
- Before operating this machine, read the operator's manual and understand its contents.
- If the operator of the machine cannot understand this manual, then it is the responsibility of this machine's owner to fully explain the material within this manual to the operator.
- Learn and understand the use of all controls.
- Know how to stop the power unit and all attachments quickly in the event of an emergency.



Personal Protective Equipment Requirements

It is the responsibility of the owner to be sure that the operators use the proper personal protective equipment while operating the machine. Required personal protective equipment includes, but is not limited to, the following list.



- Wear a certified ear protection device to prevent loss of hearing.
- Prevent eye injury by wearing safety glasses while operating the machine.
- Closed toe shoes must be worn at all times.
- Long pants must be worn at all times.
- When operating in dusty conditions, it is recommended that a dust mask be worn.

Operating Safely

- Inspect machine before operation. Repair or replace any damaged, worn, or missing parts. Be sure guards and shields are in proper working condition and are secured in place. Make all necessary adjustments before operating machine.
- Alterations or modifications to this machine can reduce safety and could cause damage to the machine. Do not alter safety devices or operate with shields or covers removed.
- Before each use, verify that all controls function properly and inspect all safety devices. Do not operate if controls or safety devices are not in proper working condition.
- Check parking brake function before operating. Repair or adjust parking brake if necessary.
- Observe and follow all safety decals.
- All controls are to be operated from the operator's seat only.
- Always wear a seat belt if the machine has a roll cage/bar installed.
- Ensure the attachment or accessory is locked or fastened securely to the power unit before operating.
- Ensure that all bystanders are clear of the power unit and attachment before operating. Stop machine if someone enters your work area.
- Always be alert to what is happening around you, but do not lose focus on the task you are performing. Always look in the direction the machine is moving.
- Look behind and down before backing up to be sure of a clear path.
- If you hit an object, stop and inspect the machine. Make all necessary repairs before operating machine again.
- Stop operation immediately at any sign of equipment failure. An unusual noise can be a warning of equipment failure or a sign that maintenance is required. Make all necessary repairs before operating machine again.
- If equipped with a high/low range feature, never shift between high and low range while on a slope. Always move the machine to level ground and place the selector lever in park before shifting range.

SAFETY



General Safety Procedures for Ventrac Power Units, Attachments, & Accessories



Operating Safely (continued)

- Do not leave machine unattended while it is running.
- Always park the machine on level ground.
- Always shut off engine when connecting attachment drive belt to the power unit.
- Never leave the operator's seat without lowering the attachment to the ground, setting the parking brake, shutting off the engine, and removing the ignition key. Make sure all moving parts have come to a complete stop before dismounting.
- Never leave equipment unattended without lowering the attachment to the ground, setting the parking brake, shutting off the engine, and removing the ignition key.
- Only operate in well-lit conditions.
- Never direct the discharge of any attachment in the direction of people, buildings, animals, vehicles, or other objects of value.
- Never discharge material against a wall or obstruction. Material may ricochet back towards the operator.
- Use extra caution when approaching blind corners, shrubs, trees, or other objects that may obscure vision.
- Do not run the engine in a building without adequate ventilation.
- Do not touch the engine or the muffler while the engine is running or immediately after stopping the engine. These areas may be hot enough to cause a burn.
- Do not change the engine governor settings or over-speed the engine. Operating engine at excessive speed may increase the hazard of personal injury.
- To reduce the hazard of fire, keep the battery compartment, engine, and muffler areas free of grass, leaves, and excessive grease.

Preventing Accidents



- Clear working area of objects that might be hit or thrown from machine.
- Keep people and pets out of mowing area.
- Know the work area well before operation. Do not operate where traction or stability is questionable.
- Reduce speed when you are operating over rough ground.
- Equipment can cause serious injury and/or death when improperly used. Before operating, know and understand the operation and safety of the power unit and the attachment being used.

- Do not operate machine if you are not in good physical and mental health, if you will be distracted by personal devices, or are under the influence of any substance which might impair decision, dexterity, or judgment.
- Children are attracted to machine activity. Be aware of children and do not allow them in the working area. Turn off the machine if a child enters the work area.



Keep Riders Off

- Only allow the operator on the power unit. Keep riders off.
- Never allow riders on any attachment or accessory.



SAFETY

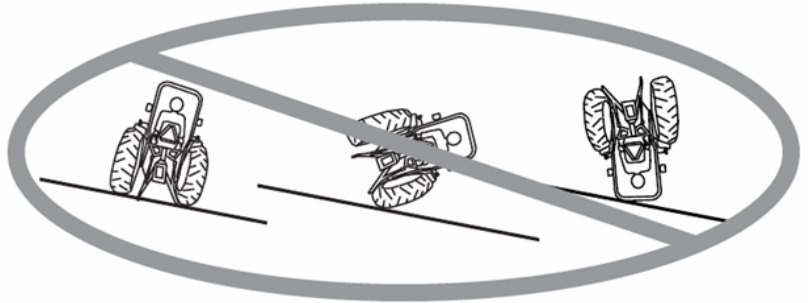


General Safety Procedures for Ventrac Power Units, Attachments, & Accessories



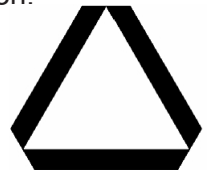
Operating On Slopes

- Slopes can cause loss-of-control and tip-over accidents, which can result in severe injury or death. Be familiar with the emergency parking brake, along with the power unit controls and their functions.
- If power unit is equipped with a fold down roll bar, it must be locked in the upright position when operating on any slope.
- Use low range when operating on slopes greater than 15 degrees.
- Do not stop or start suddenly when operating on slopes.
- Never shift between high and low range while on a slope. Always move the power unit to level ground and place the selector lever in park before shifting range.
- Variables such as wet surface and loose ground will reduce the degree of safety. Do not drive where machine could lose traction or tip over.
- Keep alert for hidden hazards in the terrain.
- Stay away from drop-offs, ditches, and embankments.
- Sharp turns should be avoided when operating on slopes.
- Pulling loads on hills decreases safety. It is the responsibility of the owner/operator to determine loads that can safely be controlled on slopes.
- Transport machine with attachment lowered or close to the ground to improve stability.
- While operating on slopes, drive in an up and down direction when possible. If turning is necessary while driving across slopes, reduce speed and turn slowly in the downhill direction.
- Assure a sufficient supply of fuel for continuous operation. A minimum of one-half tank of fuel is recommended.



Roadway Safety

- Operate with safety lights when operating on or near roadways.
- Obey all state and local laws concerning operation on roadways.
- Slow down and be careful of traffic when operating near or crossing roadways. Stop before crossing roads or sidewalks. Use care when approaching areas or objects that may obscure vision.
- If there is doubt of safety conditions, discontinue machine operation until a time when operation can be performed safely.
- When operating near or on roadways, have a Slow Moving Vehicle Emblem clearly displayed.



Truck Or Trailer Transport

- Use care when loading or unloading machine into a truck or trailer.
- The parking brake is not sufficient to lock the machine during transport. Always secure the power unit and/or attachment to the transporting vehicle.
- Shut off fuel supply to power unit during transport on truck or trailer.

SAFETY



General Safety Procedures for Ventrac Power Units, Attachments, & Accessories



Maintenance

- Keep all safety decals legible. Remove all grease dirt, and debris from safety decals and instructional labels.
- If any decals are faded, illegible, or missing, contact your dealer promptly for replacements.
- When new components are installed, be sure that current safety decals are affixed to the replacement components.
- If any component requires replacement, use only original Ventrac replacement parts.
- Always disconnect the negative battery cable from the battery when working with electrical components.
- Keep all bolts, nuts, screws, and other fasteners properly tightened.
- Always lower the attachment to the ground, engage parking brake, shut off engine, and remove the ignition key. Make sure all moving parts have come to a complete stop before cleaning, inspection, adjusting or repairing.
- If the power unit, attachment, or accessory requires repairs or adjustments not instructed in the operator's manual, the power unit, attachment, or accessory must be taken to an authorized Ventrac dealer for service.
- Never perform maintenance on the power unit and/or attachment if someone is sitting in the operator's seat.
- Always use protective glasses when handling the battery.
- Check all fuel lines for tightness and wear on a regular basis. Tighten or repair them as needed.
- To reduce the hazard of fire, keep the battery compartment, engine, and muffler areas free of grass, leaves, and excessive grease.
- Do not touch the engine or the muffler while the engine is running or immediately after stopping the engine. These areas may be hot enough to cause a burn.
- Do not change the engine governor settings or over-speed the engine. Operating engine at excessive speed may increase the hazard of personal injury.
- Springs may contain stored energy. Use caution when disengaging or removing springs.
- An obstruction or blockage in a drive system or moving/rotating parts may cause a buildup of stored energy. When the obstruction or blockage is removed, the drive system or moving/rotating parts may move suddenly. Do not attempt to remove an obstruction or blockage with your hands. Keep hands, feet, and clothing away from all power-driven parts.
- Dispose of all fluids in accordance with local laws.

Fuel Safety



- Do not refuel machine while smoking or at a location near flames or sparks.
- Always refuel the machine outdoors.
- Do not store machine or fuel container indoors where fumes or fuel can reach an open flame, spark, or pilot light.
- Only store fuel in an approved container. Keep out of reach of children.
- Never remove gas cap or add fuel with the engine running. Allow engine to cool before refueling.
- Replace all fuel tank and container caps securely.
- Do not overfill fuel tank. Maximum level is 1" below the neck of the fuel tank.
- If fuel is spilled, do not attempt to start the engine. Move the power unit away from the fuel spill and avoid creating any source of ignition until fuel vapors have dissipated.
- If the fuel tank must be drained, it should be drained outdoors into an approved container.
- Dispose of all fluids in accordance with local laws.
- Check all fuel lines for tightness and wear on a regular basis. Tighten or repair them as needed.
- The fuel system is equipped with a shut-off valve. Shut off the fuel when transporting the machine to and from the job, when parking the machine indoors, or when servicing the fuel system.

SAFETY



General Safety Procedures for Ventrac Power Units, Attachments, & Accessories

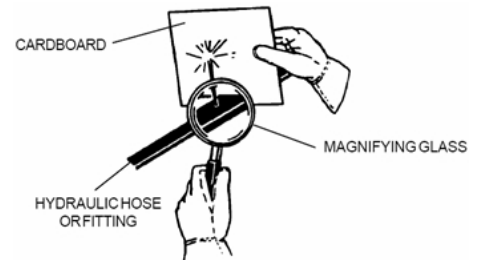


Hydraulic Safety

- Make sure all hydraulic connections are tight and all hydraulic hoses and tubes are in good condition. Repair any leaks and replace any damaged or deteriorated hoses or tubes before starting the machine.
- Hydraulic leaks can occur under high pressure. Hydraulic leaks require special care and attention.
- Use a piece of cardboard and a magnifying glass to locate suspected hydraulic leaks.



- Keep body and hands away from pinhole leaks or nozzles that eject high pressure hydraulic fluid. Hydraulic fluid escaping under high pressure can penetrate the skin causing serious injury. If hydraulic fluid is injected into skin, seek immediate medical attention.



- Hydraulic system may contain stored energy. Before performing maintenance or repairs on the hydraulic system, remove attachments, engage parking brake, disengage weight transfer system (if equipped), shut off engine, and remove ignition key. To relieve pressure on the auxiliary hydraulic system, shut off the power unit engine and move the secondary S.D.L.A. lever left and right before disconnecting the auxiliary hydraulic quick couplers.
- Dispose of all fluids in accordance with local laws.

SAFETY



RV600 Safety Procedures



Engine and Blower Fan Safety

- Rotating fan blades may cause personal injury. Never operate the RV600 collection system with the hose removed, the inlet duct removed, or the collection bin in the raised position. Always remove the ignition key and ensure that all moving parts have stopped rotating before servicing.

Cutting Unit Safety

- Rotating Blades: Contact with the rotating mower blades or other moving parts may cause personal injury. Keep hands and feet away.
- Rotation of one blade may cause another blade to rotate.
- DO NOT modify or remove any of this equipment's shields, safety devices, or warning labels.
- Never operate the mower deck without the discharge chute or the collection boot in place.

Material Collection Safety

- Always empty the collection system after every use. Do not store with material left in the collection bin. Decomposing material stored in the collection bin may result in spontaneous combustion.

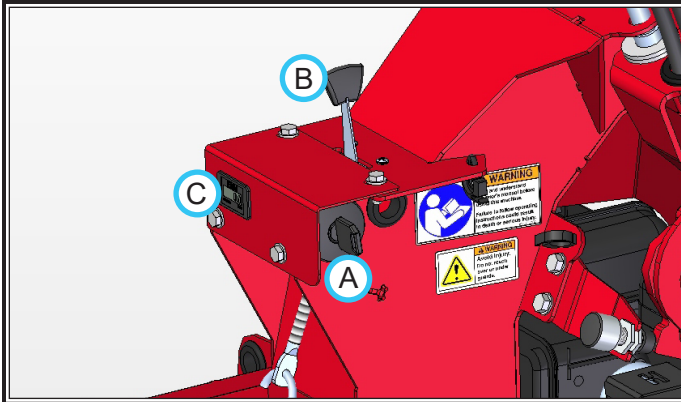
Safety Interlock System

If the collection bin is raised while the collection system engine is running, the engine will automatically shut off. The engine can be restarted after the collection bin is lowered and it is safe to resume operation. Test the switch operation according to the following procedure.

- Confirm the collection bin is lowered completely to the down position.
- Start the collection system engine.
- Raise the collection bin. The collection system engine should automatically shut off within the first two inches of movement of the collection bin.

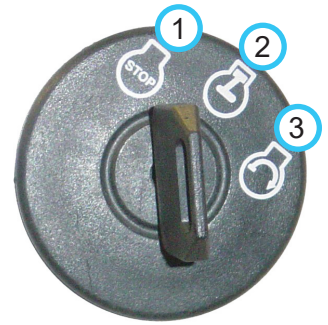
If this test fails, the shut off switch must be serviced. Refer to 'Automatic Engine Shut-off Switch' in the service section of this manual for servicing procedures.

OPERATIONAL CONTROLS



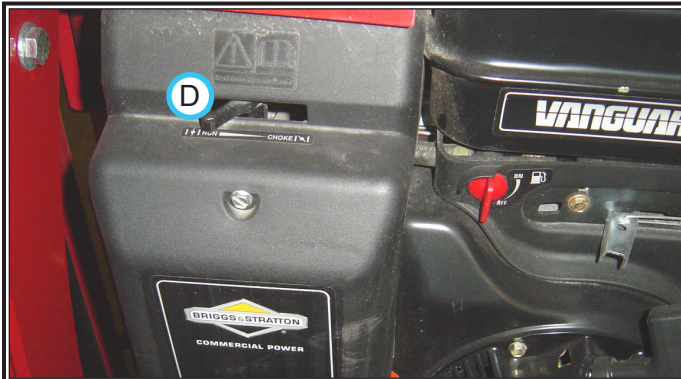
Ignition Key Switch (A)

1. Off or Stop Position - Shuts off the collection system engine.
2. On or Run Position - Engine run position.
3. Start - When key is turned to the start position, the starter will engage.



Throttle (B)

Moving the lever to the right increases the engine Revolutions Per Minute (RPM). Moving it to the left slows the engine to an idle.

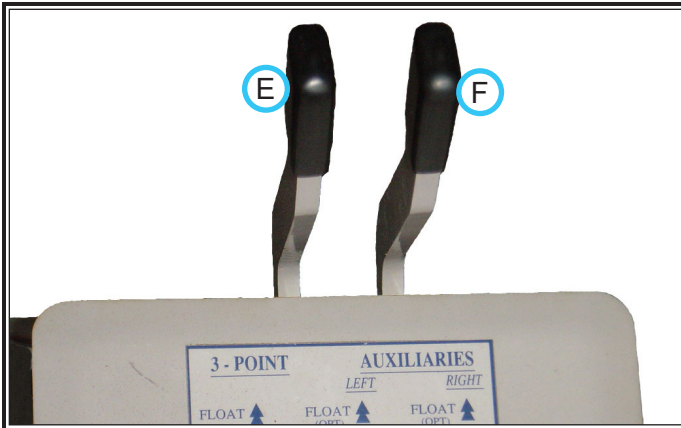


Hour Meter (C)

Displays the engine run time in hours.

Choke (D)

Moving the choke lever to the choke position aids in starting a cold engine.



Left Rear Auxiliary Hydraulics Handle (E)*

The collection bin is raised and lowered using the left rear auxiliary hydraulics handle. Pull back on this handle to raise the collection bin. Push forward on this handle to lower the collection bin.

Right Rear Auxiliary Hydraulics Handle (F)*

The collection bin door is opened and closed using the right rear auxiliary hydraulics handle. Pull back on the lever to open the door. Push forward on the lever to close and latch the door.

Operational Control Locations

The images above match with reference letters as shown below to help identify the location of operational controls for the RV600 Collection Vacuum.

A - Ignition Key Switch

B - Throttle

C - Hour Meter

D - Choke

E - Left Rear Auxiliary Hydraulics Handle

F - Right Rear Auxiliary Hydraulics Handle

* Refer to tractor owner's manual for operation of tractor controls.

GENERAL OPERATION

Daily Inspection

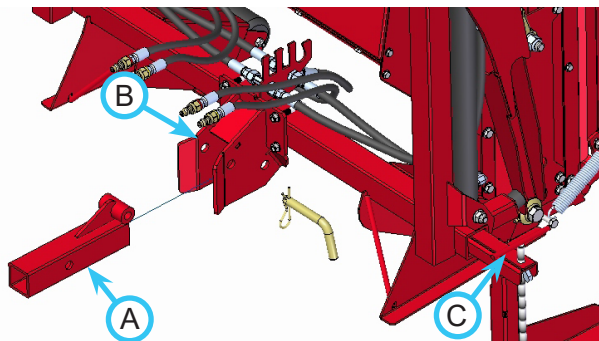
⚠ WARNING

Always set the parking brake, shut off the tractor and collection system engines, remove the tractor and collection system ignition keys, and ensure all moving parts have stopped before inspecting, adjusting, or servicing any component or function of the tractor, mower deck, or collection system.

1. Park the tractor and collection system on a level surface, with the engines shut off and all fluids cold.
2. Perform a visual inspection of the tractor and collection system. Ensure the collection system is properly attached to the tractor. Look for loose or missing hardware, damaged components, or signs of wear. Inspect hydraulic hoses, hydraulic fittings, and fuel lines to ensure tight, leak free connections.
3. Check the collection system's engine oil and fuel levels. Add or service as required.
4. Refer to the tractor operator's manual. Check the tractor's engine oil, hydraulic oil, cooling system, tire pressure, and fuel level. Add fluid or service system as required.
5. If a mower deck will be used, inspect the mower deck, drive belts, and mower blades. Belts should be in good condition. Mower blades should be sharp and securely fastened. Service as required.
6. Test the collection system's operator safety interlock system. Refer to **Safety Interlock System** in the safety section of this manual.
7. Test the tractor's operator safety interlock system. Refer to **Operator Interlock System** in the safety section of the tractor manual.

Attaching - Pin Connect Hitch System

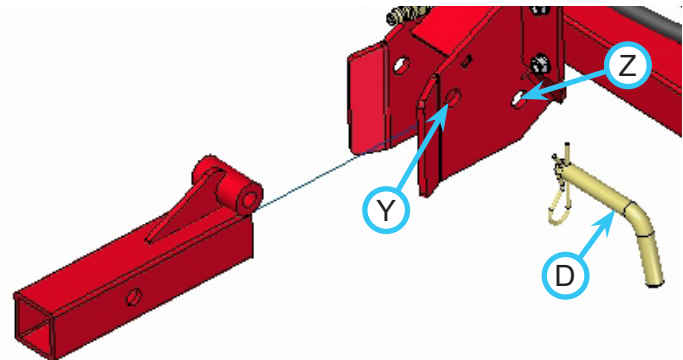
1. Back the tractor hitch (A) into the collection



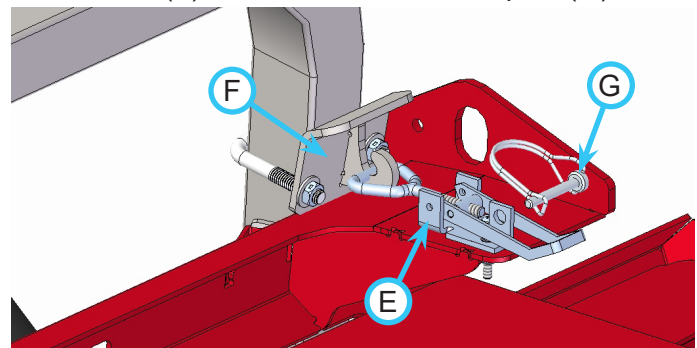
system hitch (B). If the collection system is not at the correct height, turn the handles of the caster wheel stands (C) to raise or lower the collection system to the correct height. (NOTE: The terrain,

tractor tire pressure, and attachment on the front of the tractor can affect the height of the tractor hitch.)

2. Install the pin (D) to couple the tractor hitch to the collection system hitch.
On tractors equipped with standard hitch, install pin in location Y.
On tractors equipped with 3 point hitch, install pin in location Z.



3. Engage the roll bar latches (E) to the roll bar mounts (F) and install the retainer pins (G).

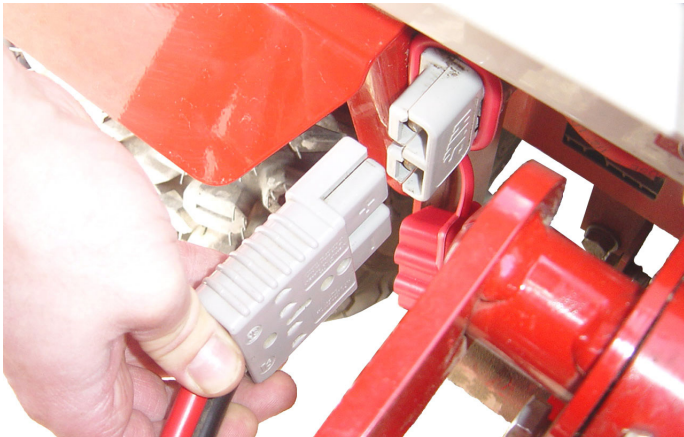


4. Connect the left set of hydraulic hoses to the left hydraulic couplers of the tractor. Match the red and yellow indicators on the hose ends to the corresponding indicators on the quick couplers.
5. Connect the right set of hydraulic hoses to the right hydraulic couplers of the tractor. Match the red and yellow indicators on the hose ends to the corresponding indicators on the quick couplers.



GENERAL OPERATION

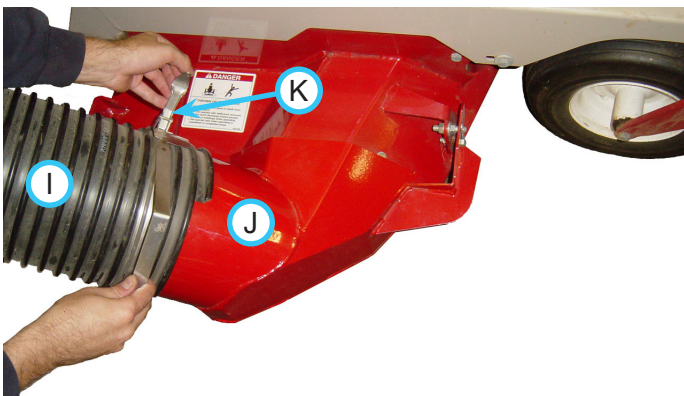
6. Connect the battery cable to the quick connect plug located to the left of the hydraulic couplers.



7. Remove the caster wheel stands.
8. Connect the mower collection boot to the mower deck. (May require the removal of the flexible discharge chute.) Install the keeper pins (H) to secure the collection boot to the mower deck.

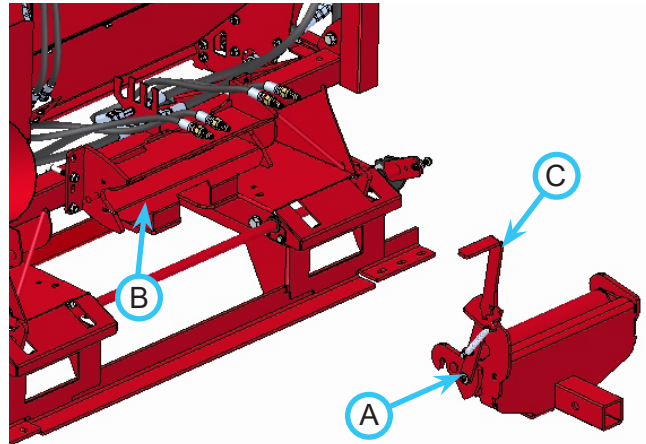


9. Connect the suction hose (I) to the collection boot (J). Fasten the clamp (K) in place to secure the suction hose to the collection boot.

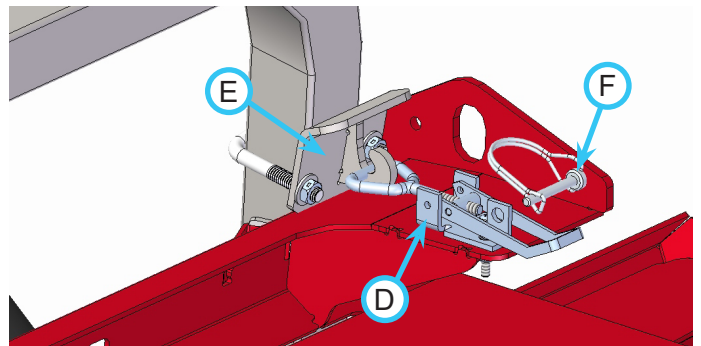


Attaching - Fast Connect System with Docking Station

1. Back the tractor hitch (A) into the collection system hitch (B). (NOTE: Tractors with 3 point hitch require the removal of the 3 point hitch lift arms.)



2. Lock the hitch lock lever (C).
3. Engage the roll bar latches to the roll bar mounts and install the retainers pins.

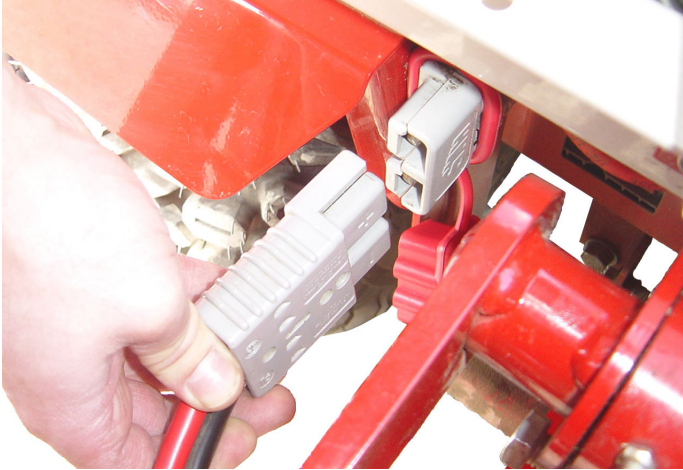


4. Connect the left set of hydraulic hoses to the left hydraulic couplers of the tractor. Match the red and yellow indicators on the hose ends to the corresponding indicators on the quick couplers.
5. Connect the right set of hydraulic hoses to the right hydraulic couplers of the tractor. Match the red and yellow indicators on the hose ends to the corresponding indicators on the quick couplers.

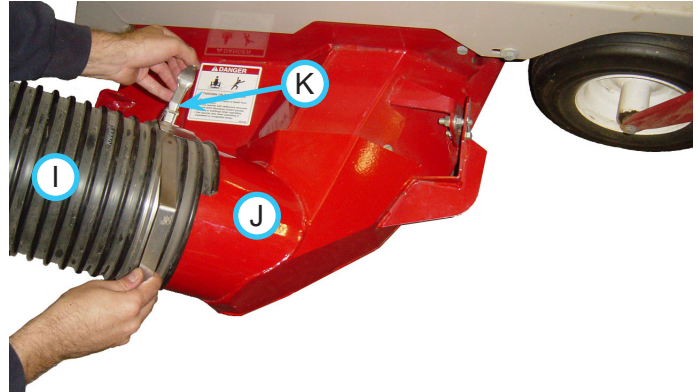


GENERAL OPERATION

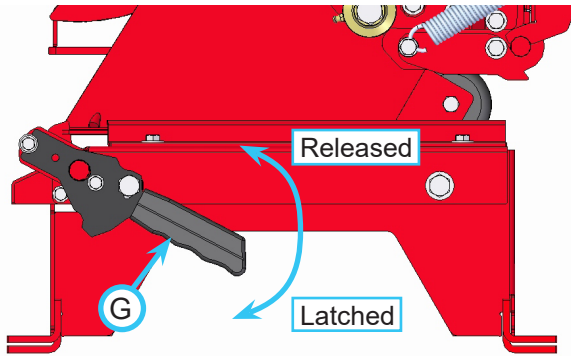
6. Connect the battery cable to the quick connect plug located to the left of the hydraulic couplers.



9. Connect the suction hose to the collection boot. Fasten the clamp in place to secure the suction hose to the collection boot.



7. Rotate the docking station handle (G) to release the collection system from the docking station.



Detaching - Pin Connect Hitch System

1. Ensure the collection bin is empty, the collection bin door is closed and latched, and the collection bin is lowered completely to the down position.

⚠ WARNING

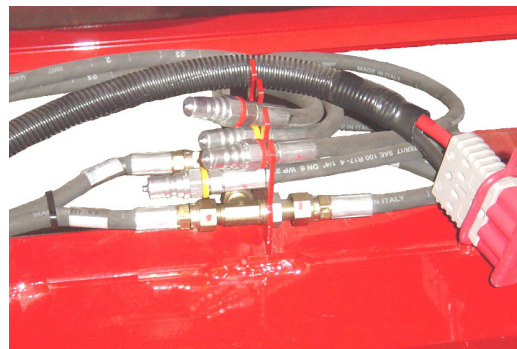
Always empty the collection bin after use. Never store the collection system with material in the collection bin.

8. Connect the mower collection boot to the mower deck. (May require the removal of the flexible discharge chute.) Install the keeper pins (H) to secure the collection boot to the mower deck.



2. Position the tractor so the collection system is at the desired location for detachment.
3. Place the tractor in park and shut off the engine. Move the lift and door hydraulic levers to relieve pressure that may be present in the hydraulic system.
4. Install the caster wheel stands (one on each side of the collection system). Turn the handles until some of the weight is on the caster wheel stands and the collection system begins to rise.
5. Disconnect the collection boot from the mower deck (if attached).
6. Disconnect the four hydraulic hoses and store them in the hose holder.

DANGER



7. Disconnect the battery cable.

GENERAL OPERATION

- Remove the retainer pins from the roll bar latches, release the latches, and unhook the latches from the roll bar mounts.
- Resume raising the collection system with the caster wheel stands. Lift the collection system until the weight is no longer on the tractor. When the hitch pin turns freely, remove the securing clip and remove the pin. The tractor can now be driven away from the collection system.

⚠ DANGER

Never operate the mower deck without the discharge chute or the collection boot in place.

Detaching - Fast Connect System with Docking Station

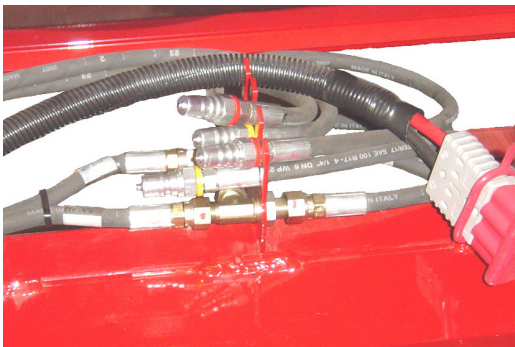
- Ensure the collection bin is empty, the collection bin door is closed and latched, and the collection bin is lowered completely to the down position.

⚠ WARNING

Always empty the collection bin after use. Never store the collection system with material in the collection bin.

- Ensure the docking station lock is in the released position. Back the collection system onto the docking station until it contacts the stops.
- Place the tractor in park and shut off the engine. Move the lift and door hydraulic levers to relieve pressure that may be present in the hydraulic system.
- Rotate the handle of the docking station to engage the latches and lock the collection system to the docking station.
- Disconnect the collection boot from the mower deck (if attached).
- Disconnect the four hydraulic hoses and store them in the hose holder.

DANGER



- Disconnect the battery cable.
- Remove the retainer pins from the roll bar latches, release the latches, and unhook the latches from the roll bar mounts. The tractor can now be driven away from the collection system.

⚠ DANGER

Never operate the mower deck without the discharge chute or the collection boot in place.

Mowing and Operating Procedure

- Perform daily inspection.
- Verify the collection bin door is closed and latched, the mower deck is set to the desired cutting height, and the tractor's weight transfer system is set at the desired position.
- Inspect the area where the tractor and collection system will be used. The area should be clear of bystanders, debris, and other obstacles that will impede the safe operation of the mower and collection system.
- Start the collection system engine. When the engine is cold, it may be necessary to engage the choke and start the engine while standing beside the collection system. (After the initial startup, the engine can be stopped and started from the operator's seat.)
- Start the tractor engine. Allow the tractor and collection system engines to warm up to operating temperature before beginning operation.
- Move the throttle of the collection system engine to full throttle and start the tractor PTO to begin mowing.
- Begin mowing. Avoid obstacles and objects which may plug or damage the collection system. See "Mowing Speed" section.
- When the level in the collection bin reaches the bottom of the viewing window, the performance of the collection system will begin to decrease. Stop and empty the bin at this time to maintain the best performance. See "Emptying the Collection Bin".

⚠ DANGER

Never operate the mower deck without the discharge chute or the collection boot in place.

GENERAL OPERATION

Mowing Speed

When using the collection system, travel speed will typically need to be slower than when mowing without the collection system.

Travel speed may need to be further reduced when mowing thick, tall, or wet grass or leaves.

Travel speed may be increased in normal mowing situations or as conditions safely allow.

If clippings are not being picked up, the travel speed may need reduced, or there may be an obstruction present in the collection system. See “Checking For and Removing Obstructions from the Collection System”.

Checking For and Removing Obstructions from the Collection System

In thick, tall, or wet grass, the potential increases for an obstruction to develop and plug the collection system. Additionally, if the collection bin is overfilled, an obstruction may develop.

1. If an obstruction develops, stop the tractor, set the parking brake, shut off the tractor PTO, and shut off the collection system engine. Wait until all parts have stopped moving before leaving the operator's seat.
2. Check the collection boot first. Uncouple the suction hose from the collection boot. If an obstruction is present, remove the obstruction from the collection boot.
3. Check the suction hose. With the hose uncoupled from the collection boot, shake the suction hose so that any material present in the suction hose will fall out. Pull material out, if necessary.
4. If the obstruction is not in either the collection boot or the suction hose, the obstruction may be present in the outlet of the fan system. Raise the collection bin and install the cylinder lock-out to secure the bin in the raised position. Remove any material using a stick or similar object.
5. In rare occasions, the inlet to the fan can become obstructed. If this occurs, remove the suction hose from the fan inlet and remove the obstruction.

Emptying the Collection Bin

1. When it is time to empty the collection bin, shut off the tractor PTO and slow the collection system engine to an idle. Drive the tractor and collection system to the location that the collection bin will be emptied. Turn off the collection system engine when the location is reached.
2. With the tractor on level ground, back the tractor to approximately six feet away from the receptacle or disposal area.
3. Raise the collection bin to the required height for the receptacle. If emptying on the ground, the bin does not need raised to open the collection bin door.
4. Back the tractor up until the collection bin is over the receptacle or disposal area.
5. Open the collection bin door to empty the collection bin.
6. After the collection bin is empty, close the collection bin door.
7. Drive the tractor forward until the bin can be lowered without contact with the receptacle.
8. Lower the collection bin.
9. The collection system is now ready to resume mowing.

NOTE: Periodically check the air intake of the collection system engine to ensure that material does not accumulate on the air intake. Check more frequently if emptying the collection bin during windy conditions.

Transport of the Tractor and RV600 Collection System

Always shut off the collection system engine and the tractor PTO prior to transport.

Always empty the collection bin prior to transport.

Always lower the collection bin to the operating position and raise the mower deck prior to transport.

Always drive carefully, exercising caution on slopes and when making turns.

SERVICE

Cleaning and General Maintenance

For best results, and to maintain the finish of the RV600, clean or wash the equipment to remove accumulated clippings, leaves, or dirt when the job is finished.

When washing, always allow time for the equipment to cool before cleaning. Exercise caution to avoid spraying water directly into bearings, seals, or the engine. After washing, it is important to run the mower and the collection system engine to disperse accumulated water.

Servicing the Collection System with the Bin in the Raised Position



A cylinder lockout is provided with the RV600 and is stored on the right lift arm of the collection system. To use, raise the collection bin to the highest position. Remove the cylinder lockout from the storage position and install over the rod of the right lift cylinder. Use the safety snap pin to secure the cylinder lockout to the cylinder.

Tractor Tire Pressure

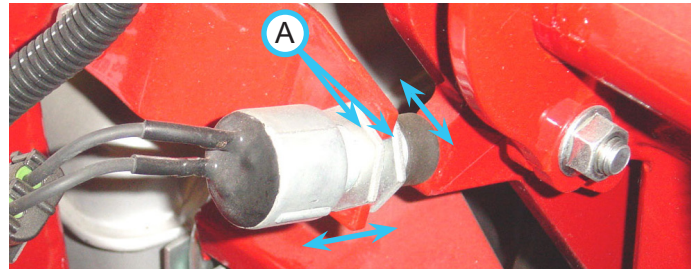
Single Tires - Inflate all tires to 15 psi.

Dual Wheels - Inflate inner tires to 15 psi and outer tires to 6-8 psi.

Automatic Engine Shut-off Switch

When the collection system bin is raised, the collection system engine should automatically shut off within the first 2 inches (5 cm) of bin travel. If the engine fails to shut off within the first 2 inches (5 cm) of movement, the shut-off switch must be adjusted.

Loosen the nuts (A) that secure the switch and adjust the switch location so that the engine shut-off occurs when directed.



Tighten the switch in this location. Contact your Ven-trac servicing dealer if, after adjusting the switch, the engine still does not shut off within the first 2 inches (5 cm) of travel.

Checking Engine Oil Level

⚠ ATTENTION: Avoid damage to your engine. Failure to check the oil level regularly could lead to serious damage to your engine if the engine is run with an incorrect oil level.

- Before operation, check engine oil with the unit sitting on a level surface.
- Check oil level when the engine is cold and not running
- Keep oil level between the FULL and ADD marks.
- Shut off engine before adding oil.

1. Park the tractor and collection system on a level surface.
2. Shut off the engine and remove the ignition key.
3. Remove the dipstick (A) located on the top of the engine.



4. Check oil level. The oil level should be between the Full (B) and Add (C) marks of the dipstick.
5. If the oil level is low, add small amounts of oil to bring the oil level no higher than the full mark of the dipstick.
6. If the oil level is above the full mark, drain to achieve the proper oil level.

SERVICE

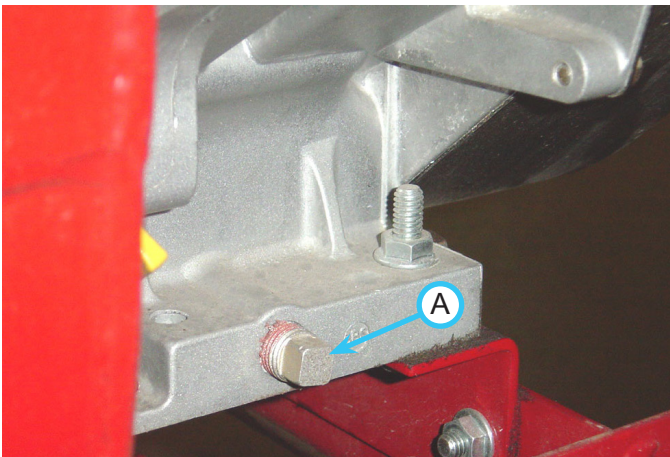
Changing Engine Oil

⚠ CAUTION

ENVIRONMENTAL HAZARD!

Oil is hazardous to the environment. Dispose of oil in an approved container at a proper recycle center.

1. Run the engine for 5 minutes to warm up the oil.
2. Park the tractor and collection system on a level surface.
3. Shut off engine and remove the ignition key from the switch.
4. Remove the oil drain plug (A) and drain the oil into an approved receptacle.



5. After the oil has drained, install and tighten the oil drain plug.
6. Remove the dipstick from the top of the engine.
7. Add oil to engine. (See Engine Owner's Manual for proper oil and capacity.)
8. Install the dipstick. Remove and check the oil level. Oil level should be at the full mark on the dipstick.
9. Install the dipstick.

Servicing Air Filter Elements

⚠ CAUTION

AVOID ENGINE DAMAGE!

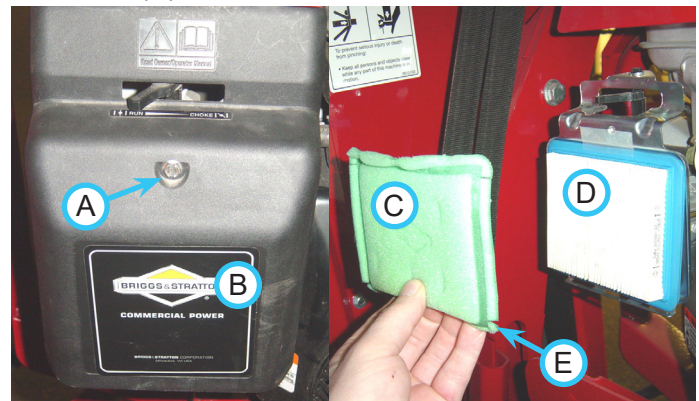
When removing the air filter element, an opening directly to the internal parts of the engine is created.

Be sure that nothing falls into the canister that could make its way into the engine. Have the new filter element ready to install immediately after the old element has been removed.

⚠ **ATTENTION:** Avoid damage to your engine! Improper service to the engine air filter can result in severe engine damage.

- Inspect filter daily in extreme heat, dust, or other severe conditions.
- Never run engine without proper air filter installed.
- Do not wash paper filter element.
- Do not oil foam pre-cleaner element.
- Do not use pressurized air to clean paper filter element.

1. Loosen the fastener (A) that holds the air filter cover (B).



2. Open the cover and remove the pre-cleaner (C) and the filter (D).
3. To loosen debris, gently tap the filter on a hard surface. If the filter is excessively dirty, replace with a new filter.
4. Wash the pre-cleaner in liquid detergent and water. Allow the pre-cleaner to thoroughly air dry. **Do not** oil the pre-cleaner.
5. Assemble the dry pre-cleaner to the filter with the lip (E) of the pre-cleaner on the bottom of the filter pleats.
6. Install the filter.
7. Install the air filter cover and secure with the fastener.

SERVICE

Servicing Fuel Filter

⚠ DANGER

AVOID PERSONAL INJURY!

Avoid personal injury and/or death from fumes, fire or explosion when working on fuel related parts:

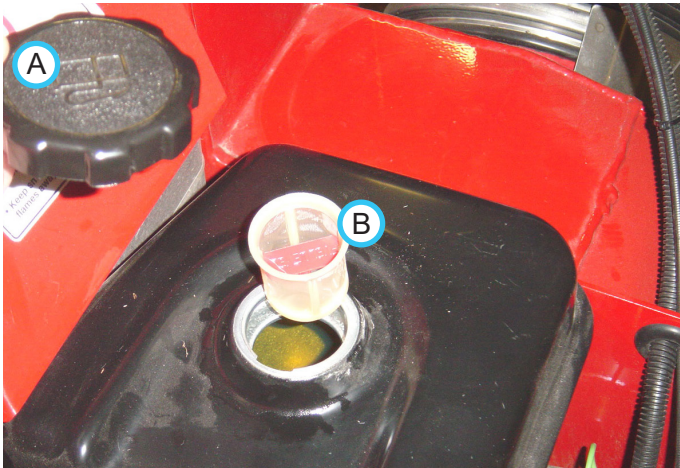
- Shut off engine and allow to cool.
- Do not smoke anywhere near the tractor.
- Keep tractor away from flames or sparks.
- Work in a well ventilated area.
- Clean up spilled fuel immediately.

⚠ CAUTION

AVOID PERSONAL INJURY!

Wear proper personal protective equipment to protect eyes and hands when working with the fuel system.

1. Remove the fuel cap (A).

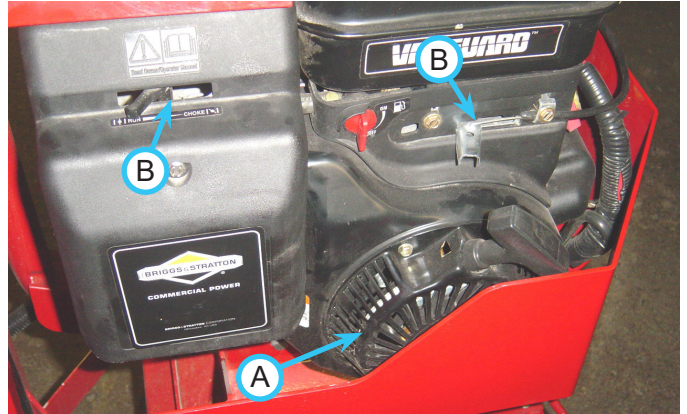


2. Remove the fuel filter (B).
3. If the fuel filter is dirty, clean or replace it.

Servicing Air Cooling System

Accumulated dirt or debris on the engine can restrict air flow and cause the engine to overheat, resulting in poor performance and reduced engine life.

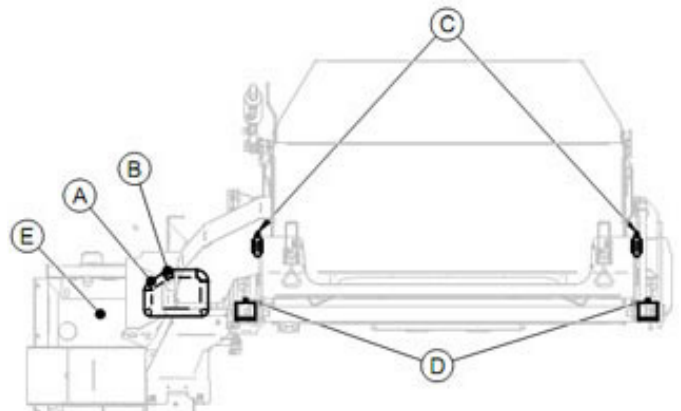
Use a brush or dry cloth to remove debris from the finger guard (A). Keep linkage, springs, and controls (B) clean.



Remove accumulated debris from muffler area and cylinder area. Keep the area around and behind the muffler free of any combustible debris.

Over a period of time, debris can accumulate in the cylinder cooling fins and cause the engine to overheat. This debris cannot be removed without partial disassembly of the engine. Have a Briggs & Stratton authorized dealer inspect and clean the air cooling system as recommended in the maintenance schedule.

Service & Lubrication Chart



Service Every 25 Hours				
Action	Item	Description		
Clean	A	Air Filter		
	B	Air Filter Pre Cleaner		
Service Every 50 Hours				
Action	Item	Description	# of Location	# of Pumps
Grease	C	Collection Bin Pivot	2	1
	D	Cylinder End	4	1
Change	E	Engine Oil ¹ (capacity: 26-28 oz)		

SERVICE

Maintenance Schedule

Maintenance Schedule	# of Locations	# of Pumps	AS NEEDED	After First 5 Hrs.	Daily	At 25 Hours	At 50 Hours	At 75 Hours	At 100 Hours	At 125 Hours	At 150 Hours	At 175 Hours	At 200 Hours	At 225 Hours	At 250 Hours	At 275 Hours	At 300 Hours	At 325 Hours	At 350 Hours	At 375 Hours	At 400 Hours	At 425 Hours	At 450 Hours	At 475 Hours	At 500 Hours	Yearly	
																											Grease & Lubrication: See Lubrication Section
Lift Cylinder End	4	^	✓			✓	✓	✓	✓	✓	✓	✓	✓	✓	✓	✓	✓	✓	✓	✓	✓	✓	✓	✓	✓	✓	✓
Bin/Lift Arm Pivot	2	^	✓			✓	✓	✓	✓	✓	✓	✓	✓	✓	✓	✓	✓	✓	✓	✓	✓	✓	✓	✓	✓	✓	✓
Engine																											
Check Engine Oil Level				✓																							
Change Engine Oil & Filter ^{1*}			✓			✓		✓		✓		✓		✓		✓		✓		✓		✓		✓		✓	
Clean/Replace Spark Plugs	Consult Engine Owner's Manual; Follow Service Intervals for Heavy Loads and High Temperatures*																										
Check Valve Clearance	Consult Engine Owner's Manual; Follow Service Intervals for Heavy Loads and High Temperatures*																										
Clean Air Filter	**			✓	✓	✓	✓	✓	✓	✓	✓	✓	✓	✓	✓	✓	✓	✓	✓	✓	✓	✓	✓	✓	✓	✓	✓
Clean Pre-cleaner	**			✓	✓	✓	✓	✓	✓	✓	✓	✓	✓	✓	✓	✓	✓	✓	✓	✓	✓	✓	✓	✓	✓	✓	✓
Clean Finger Guard	**		✓																								
Clean area around engine and muffler	**		✓																								
Clean Air Cooling System	**																									✓	
Replace Air Filter	**																									✓	
Replace Pre-cleaner	**																									✓	
Replace Fuel Filter	**																									✓	
Inspection																											
Inspect for Loose, Missing, or Worn Components				✓																							
Inspect Battery Cables, Fuel Lines, and Hydraulic Lines				✓																							

* If heavy load, high temperature, or dusty condition service intervals are not specified, Ventrac recommends servicing more frequently at 1/2 the standard service interval.

** Operation in severe conditions may require more frequent service intervals.

¹ Consult Engine Owner's Manual for engine oil information and complete servicing information

^ Grease Until Fresh Grease is visible

Maintenance Checklist

Maintenance Checklist	# of Locations	# of Pumps	AS NEEDED	After First 5 Hrs.	Daily	At 25 Hours	At 50 Hours	At 75 Hours	At 100 Hours	At 125 Hours	At 150 Hours	At 175 Hours	At 200 Hours	At 225 Hours	At 250 Hours	At 275 Hours	At 300 Hours	At 325 Hours	At 350 Hours	At 375 Hours	At 400 Hours	At 425 Hours	At 450 Hours	At 475 Hours	At 500 Hours	Yearly	
																											Grease & Lubrication: See Lubrication Section
Lift Cylinder End	4	^																									
Bin/Lift Arm Pivot	2	^																									
Engine																											
Check Engine Oil Level																											
Change Engine Oil & Filter ^{1*}																											
Clean/Replace Spark Plugs	Consult Engine Owner's Manual; Follow Service Intervals for Heavy Loads and High Temperatures*																										
Check Valve Clearance	Consult Engine Owner's Manual; Follow Service Intervals for Heavy Loads and High Temperatures*																										
Clean Air Filter																											
Clean Pre-cleaner																											
Clean Finger Guard																											
Clean area around engine and muffler																											
Clean Air Cooling System																											
Replace Air Filter																											
Replace Pre-cleaner																											
Replace Fuel Filter																											
Inspection																											
Inspect for Loose, Missing, or Worn Components																											
Inspect Battery Cables, Fuel Lines, and Hydraulic Lines																											

* If heavy load, high temperature, or dusty condition service intervals are not specified, Ventrac recommends servicing more frequently at 1/2 the standard service interval.

** Operation in severe conditions may require more frequent service intervals.

¹ Consult Engine Owner's Manual for engine oil information and complete servicing information

^ Grease Until Fresh Grease is visible

Storage

Preparing the Collection System Engine for Storage

WARNING

Gasoline and its vapors are extremely flammable and explosive.

When storing gasoline or equipment with fuel in tank, store away from furnaces, stoves, water heaters, or other appliances that have pilot lights or other ignition sources because they can ignite gasoline vapors.

Fuel can become stale when stored over 30 days. Stale fuel causes acid and gum deposits to form in the fuel system or on essential carburetor parts. To keep fuel fresh, use a fuel stabilizer.

1. Add fuel stabilizer to the fuel tank and run the engine for 2 minute to circulate the stabilizer throughout the fuel system. The engine and fuel can be stored for the length indicated on the fuel stabilizer bottle.
2. If the gasoline in the engine has not been treated with a fuel stabilizer, drain the gasoline into an approved container. Run the engine until it stops from lack of fuel. The use of a fuel stabilizer in the storage container is recommended to maintain freshness.
3. While the engine is still warm, change the engine oil. Refer to **Changing Engine Oil** in the service section of this manual.
4. Clean the engine of surface debris, chaff, or grass.

Preparing the RV600 for Storage

1. Clean the collection system and engine.
2. Inspect for loose or missing hardware, damaged components, or signs of wear.
3. Inspect hydraulic hoses and fittings to ensure tight, leak free connections. Repair or replace any damaged or worn components.
4. Inspect the collection bin, frame, fan housing, and engine. Repair or replace any damaged or worn components.
5. Apply grease to all grease points.
6. Wipe off all excess grease or oil.
7. Store in a clean, dry area.

SPECIFICATIONS

Dimensions

Overall Height	53 inches (135 cm)
Overall Length	40 inches (102 cm)
Overall Width	65 inches (165 cm)
Weight.	525 pounds (238 kg)
Capacity	
Recommended	13 Cu. Ft./10 Bushel (0.37 m ³)
Maximum	16 Cu. Ft./13 Bushel (0.45 M ³)
Bin Lifting Height	60 inches (152 cm)
Hose Diameter	8 inches (20 cm)

Engine

Manufacturer	Vanguard
Model Number	20
Type	Gasoline
Cylinders.	Single
Engine Gross Horse Power	9 Hp
Engine Oil Capacity	26-28 ounces (0.77-0.83 L)
Cooling System	Air Cooled
Fan Blades5
Starting	Electric

Features

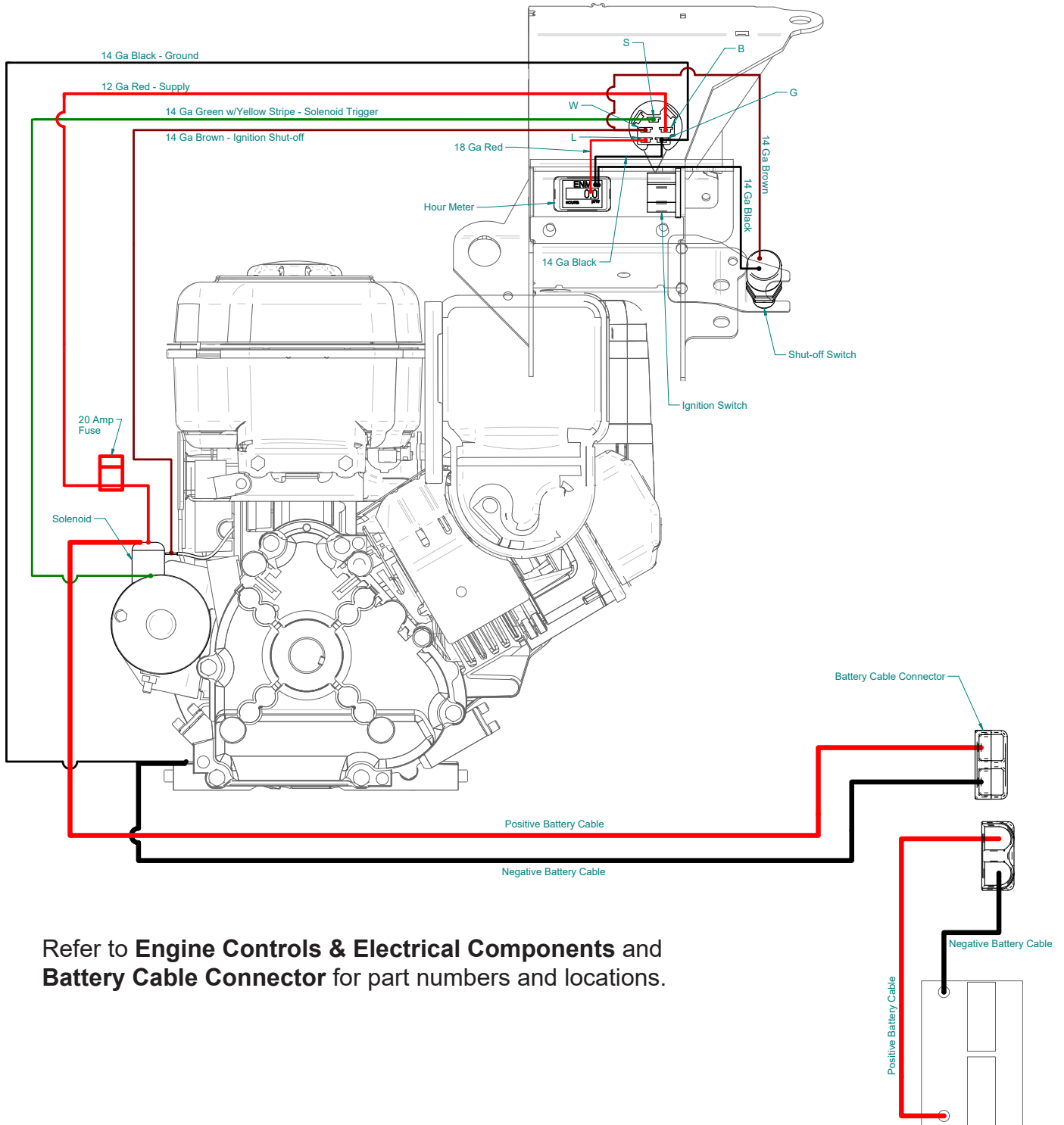
- Storage stands with caster wheels
- Hydraulic Lift and Dump
- Hour Meter
- Handles on suction hose for clean-up
- Window for viewing material level in collection bin
- Collection bin vent deflector

Tractor Requirements

Recommended for 4000 series tractors 4200-*EB2555 and higher or 4100-*EC1501 and higher.
Two sets of rear hydraulic quick couplers are required to operate the RV600.
The RV600 Collection System can not be used with the Ventrac Cab.

PARTS

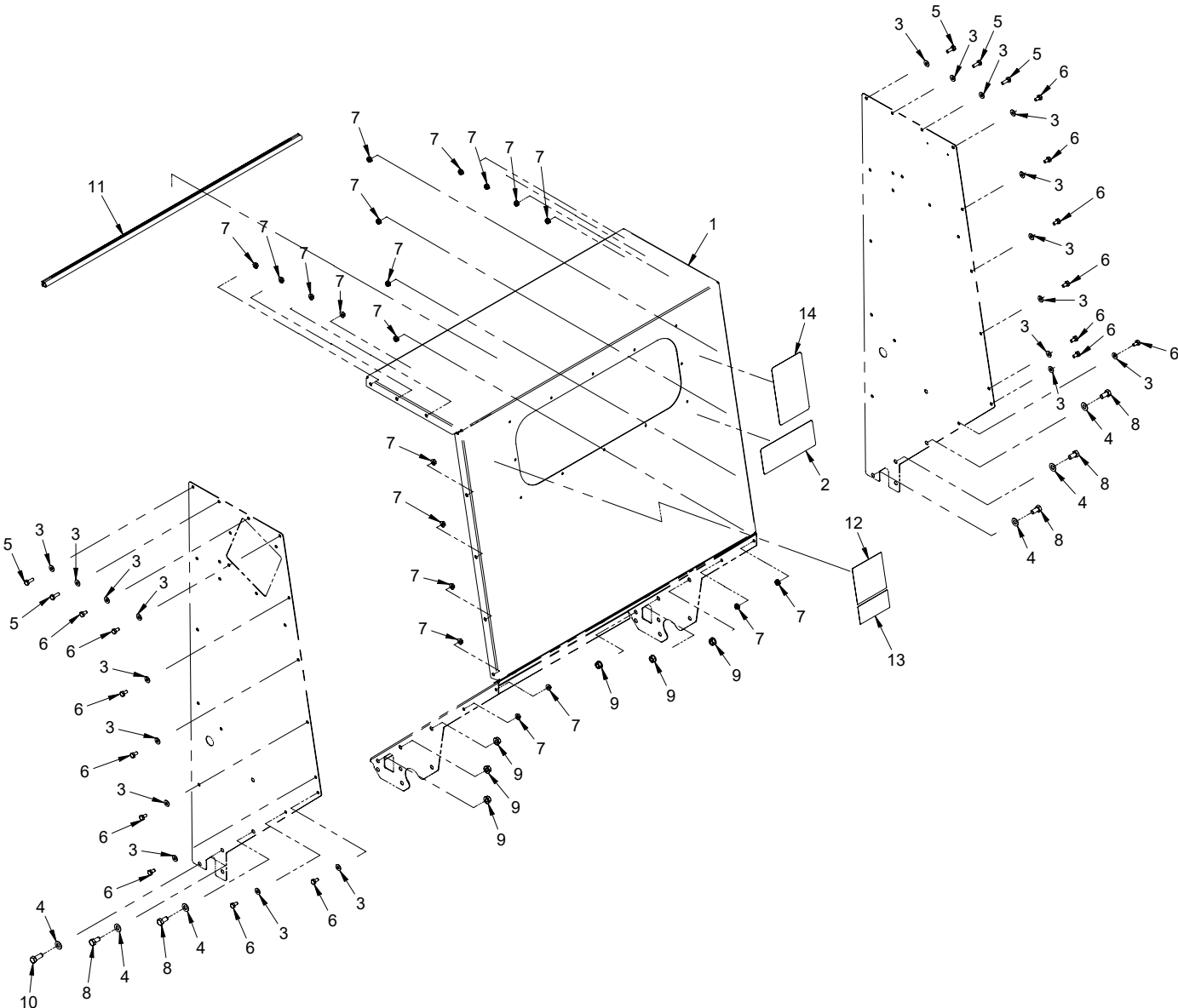
Electrical Diagram



Refer to **Engine Controls & Electrical Components** and **Battery Cable Connector** for part numbers and locations.

PARTS

ILLUSTRATED DRAWING Bin - Front Panel



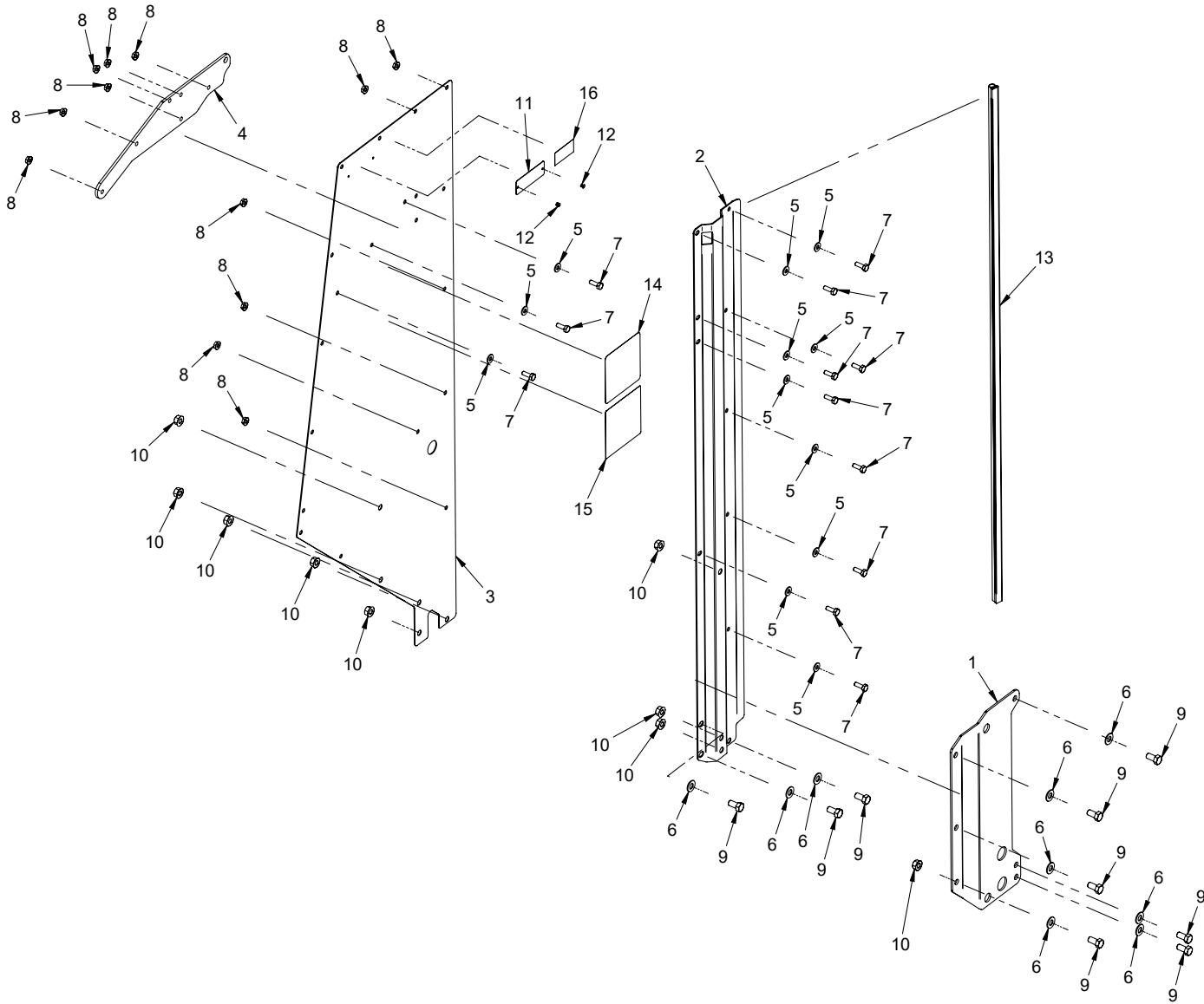
PARTS

Bin - Front Panel

REF.	PART NO.	DESCRIPTION	QTY.
1	60.1011	.PANEL, COLLECTION BIN TOP/FRONT	1
2	00.0270	.DECAL, MAINTENANCE RV600	1
3	95.04	.WASHER, FLAT 1/4 SAE	20
4	95.06	.WASHER, FLAT 3/8 SAE	6
5	90.0406	.BOLT, HEX 1/4-20 UNC X 3/4"	5
6	90.0404	.BOLT, HEX 1/4-20 UNC X 1/2"	15
7	99.SF04	.NUT, HEX 1/4-20 UNC FLANGE	20
8	90.0606	.BOLT, HEX 3/8-16 UNC X 3/4	5
9	99.SF06	.NUT, HEX 3/8-16 UNC FLANGE	6
10	90.0608	.BOLT, HEX 3/8-16 UNC X 1	1
11	06.0049-35IN	.TRIM, TRIM SEAL W/BULB X 35"	1
12	00.0103	.DECAL, HAZARD - HIGH PRESSURE FLUID	1
13	00.0220	.DECAL, GENERAL SAFETY	1
14	00.0269	.DECAL, COLLECTION SYSTEM RV600	1

PARTS

ILLUSTRATED DRAWING Bin - Left Side Panel



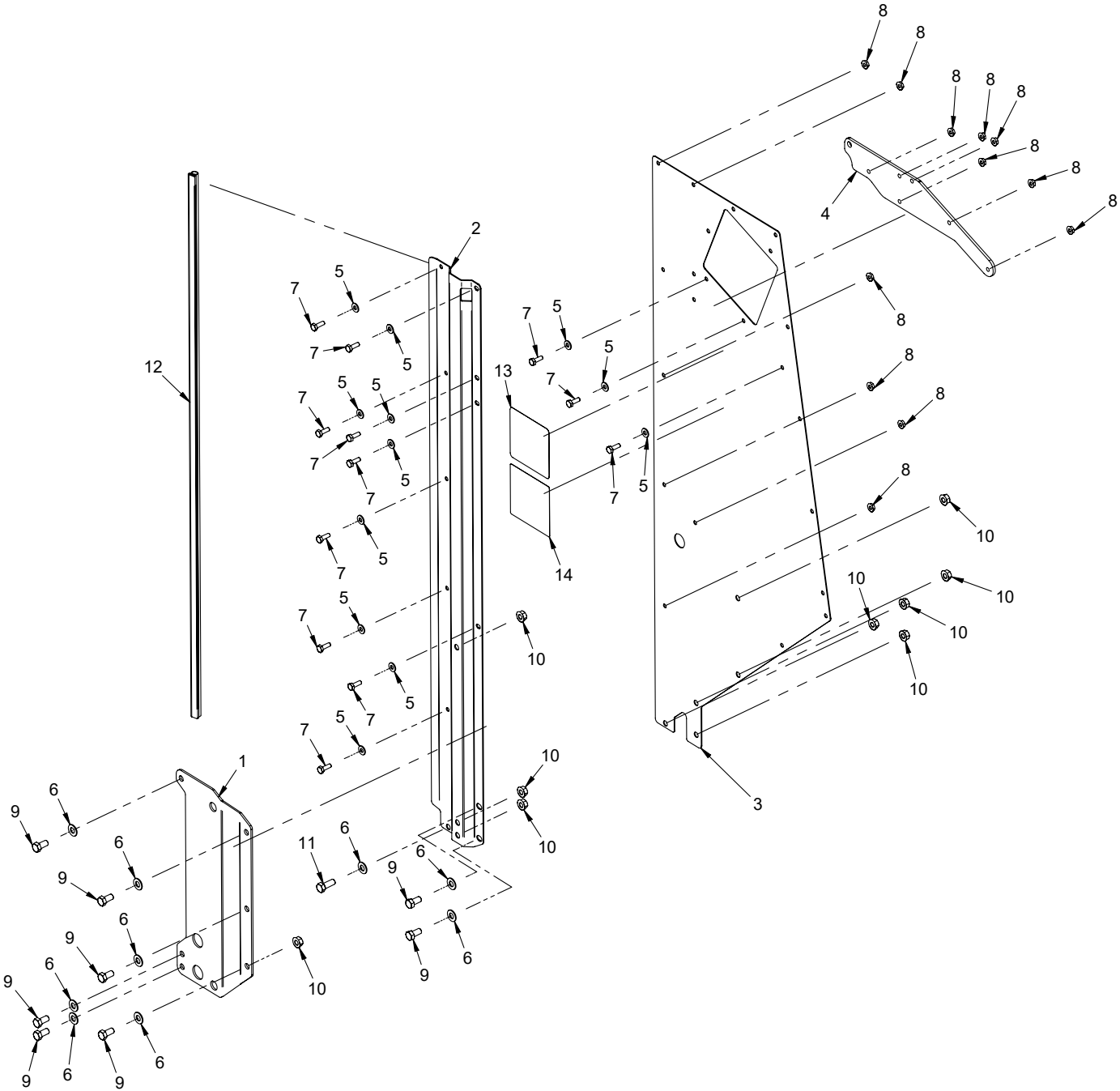
PARTS

Bin - Left Side Panel

REF.	PART NO.	DESCRIPTION	QTY.
1	64.1353	.MOUNT, BIN LIFTING LEFT	1
2	64.1351	.BRACE, BIN OUTER LEFT	1
3	60.1010	.PANEL, COLLECTION BIN LEFT	1
4	64.1347	.MOUNT, COLLECTION BIN DOOR	1
5	95.04	.WASHER, FLAT 1/4 SAE	12
6	95.06	.WASHER, FLAT 3/8 SAE	9
7	90.0406	.BOLT, HEX 1/4-20 UNC X 3/4"	12
8	99.SF04	.NUT, HEX 1/4-20 UNC FLANGE	12
9	90.0606	.BOLT, HEX 3/8-16 UNC X 3/4	9
10	99.SF06	.NUT, HEX 3/8-16 UNC FLANGE	9
11	N/A	.DECAL, VENTRAC SERIAL NO. PLT.	1
12	04.0007	.RIVET, POP DOME 1/8 X 1/8 S.S.	2
13	06.0049-42IN	.TRIM, TRIM SEAL W/BULB X 42"	1
14	00.0267	.DECAL, DANGER RV600	1
15	00.0102	.DECAL, DANGER - PINCHING HAZARDS	1
16	00.0100	.DECAL, MADE IN USA	1

PARTS

ILLUSTRATED DRAWING Bin - Right Side Panel



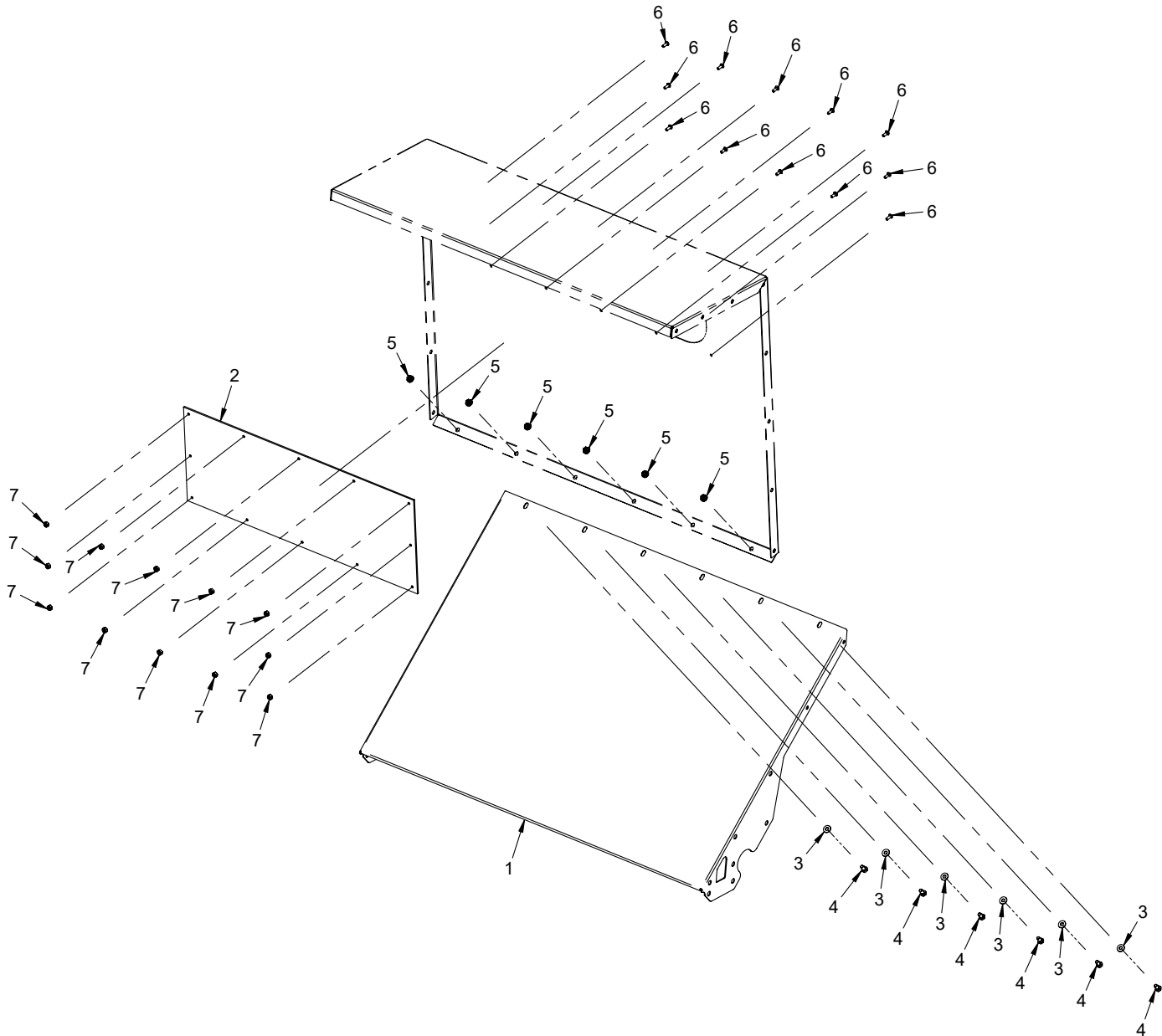
PARTS

Bin - Right Side Panel

REF.	PART NO.	DESCRIPTION	QTY.
1	64.1352	.MOUNT, BIN LIFTING RIGHT	1
2	64.1350	.BRACKET, BIN OUTER RIGHT	1
3	60.1009	.PANEL, COLLECTION BIN RIGHT	1
4	64.1347	.MOUNT, COLLECTION BIN DOOR	1
5	95.04	.WASHER, FLAT 1/4 SAE	12
6	95.06	.WASHER, FLAT 3/8 SAE	9
7	90.0406	.BOLT, HEX 1/4-20 UNC X 3/4"	12
8	99.SF04	.NUT, HEX 1/4-20 UNC FLANGE	12
9	90.0606	.BOLT, HEX 3/8-16 UNC X 3/4	8
10	99.SF06	.NUT, HEX 3/8-16 UNC FLANGE	9
11	90.0608	.BOLT, HEX 3/8-16 UNC X 1	1
12	06.0049-42IN	.TRIM, TRIM SEAL W/BULB X 42"	1
13	00.0267	.DECAL, DANGER RV600	1
14	00.0102	.DECAL, DANGER - PINCHING HAZARDS	1

PARTS

ILLUSTRATED DRAWING Bin - Floor and Window



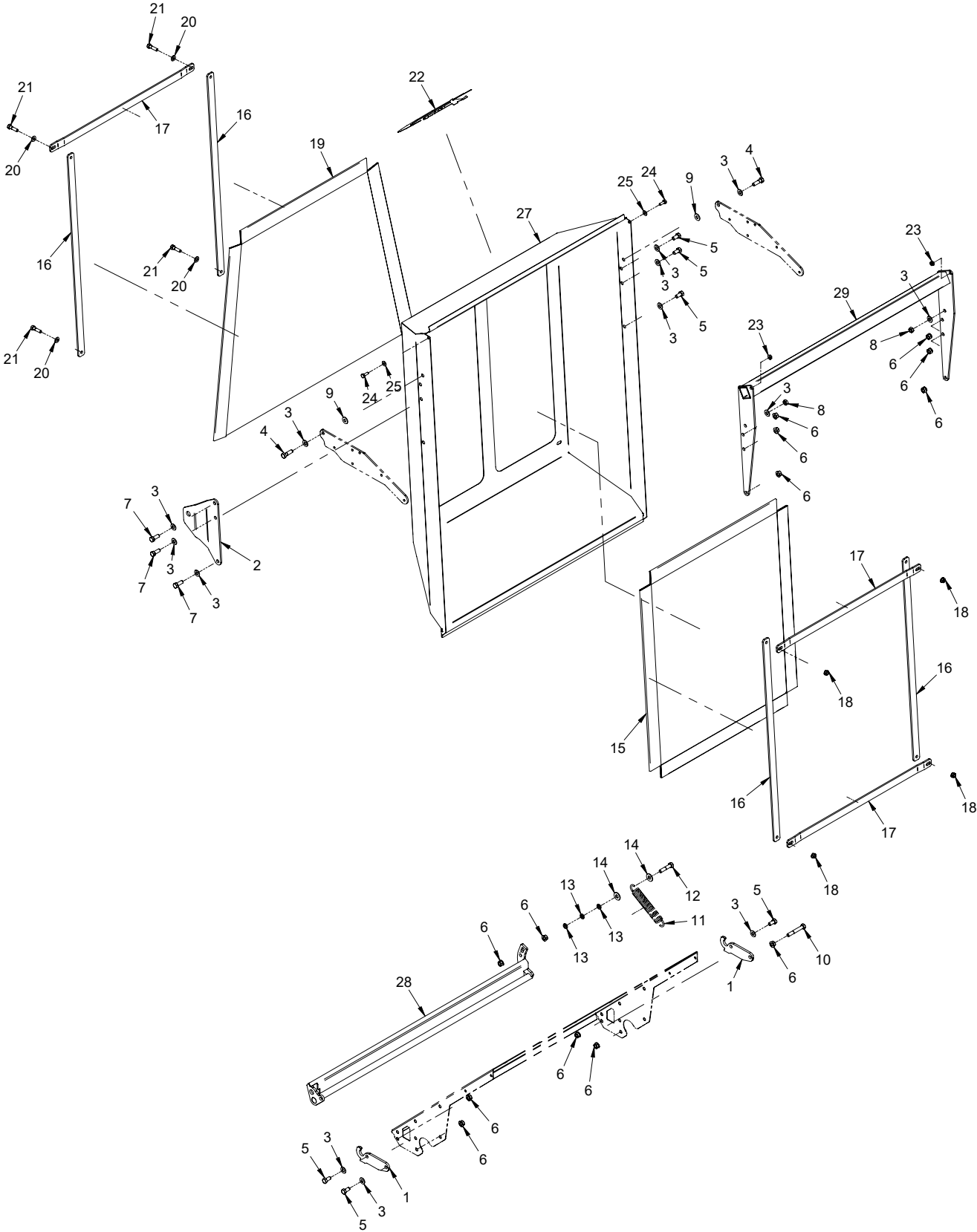
PARTS

Bin - Floor and Window

REF.	PART NO.	DESCRIPTION	QTY.
1	60.1014	.PANEL, COLLECTION BIN FLOOR	1
2	44.0255	.WINDOW, COLLECTION BIN	1
3	95.04	.WASHER, FLAT 1/4 SAE	6
4	90.0404	.BOLT, HEX 1/4-20 UNC X 1/2"	6
5	99.SF04	.NUT, HEX 1/4-20 UNC FLANGE	6
6	99.K0062	.MACHINE SCREW, #10-32 X 1/2.	12
7	99.A1032N	.LOCKNUT, NYLON 10-32 STAINLESS	12

PARTS

ILLUSTRATED DRAWING Bin Door and Latch



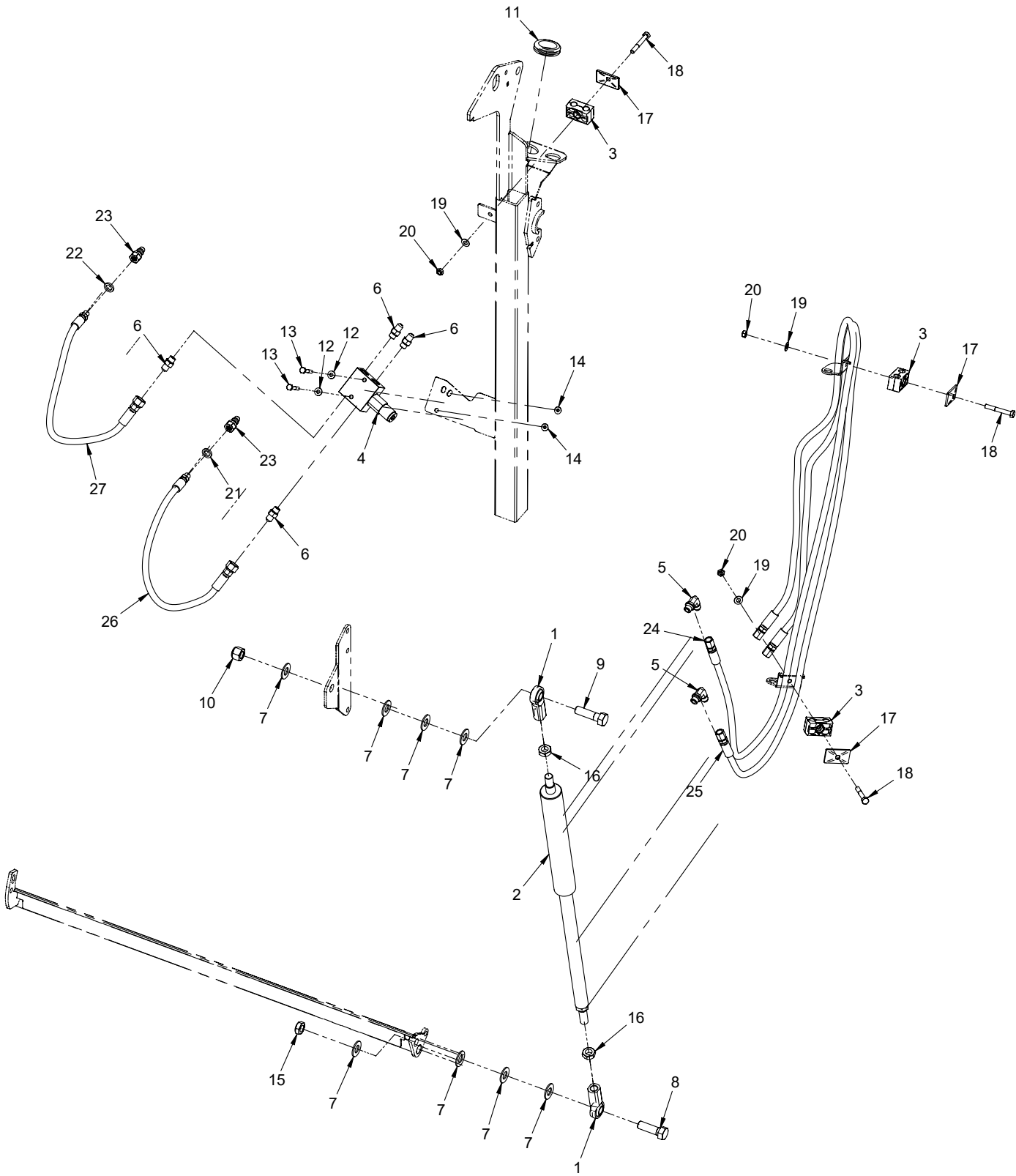
PARTS

Bin Door and Latch

REF.	PART NO.	DESCRIPTION	QTY.
1	64.1346	.HINGE, LATCH RETAINER	2
2	64.1358	.MOUNT, DOOR CYLINDER	1
3	95.06	.WASHER, FLAT 3/8 SAE	13
4	90.0610	.BOLT, HEX 3/8-16 UNC X 1-1/4	2
5	90.0606	.BOLT, HEX 3/8-16 UNC X 3/4	6
6	99.SF06	.NUT, HEX 3/8-16 UNC FLANGE	13
7	90.0608	.BOLT, HEX 3/8-16 UNC X 1	3
8	99.A06	.LOCKNUT, 3/8-16 UNC RH	2
9	05.0083	.WASHER, NYLON .377 X.875 X.062	2
10	90.0620	.BOLT, HEX 3/8-16 UNC X 2-1/2	1
11	41.0048	.SPRING, EXT. 1 OD X 6	1
12	90.0614	.BOLT, HEX 3/8-16 UNC X 1-3/4	1
13	05.0119	.WASHER, NYLON	3
14	94.06	.WASHER, FLAT 3/8 USS	2
15	44.0253	.SCREEN, COLLECTION OUTLET	1
16	64.1348	.CLAMP, SIDE CURTAIN	4
17	64.1349	.CLAMP, TOP CURTAIN	3
18	99.SF05	.NUT, HEX 5/16-20 UNC FLANGE	4
19	44.0252	.CANVAS, COLLECTION OUTLET	1
20	95.05	.WASHER, FLAT 5/16 SAE	4
21	90.0510	.BOLT, HEX 5/16-18 UNC X 1-1/4"	4
22	00.0189	.DECAL, VENTRAC ORBITAL	1
23	99.SF04	.NUT, HEX 1/4-20 UNC FLANGE	2
24	90.0406	.BOLT, HEX 1/4-20 UNC X 3/4"	2
25	95.04	.WASHER, FLAT 1/4 SAE	2
26	43.010	.ROD END, 5/8 SPHERICAL	2
27	60.1012	.DOOR, COLLECTION BIN	1
28	64.1345	.LATCH, BIN DOOR RV	1
29	62.1278	.FRAME, COLLECTION DOOR	1

PARTS

ILLUSTRATED DRAWING Door Hydraulics



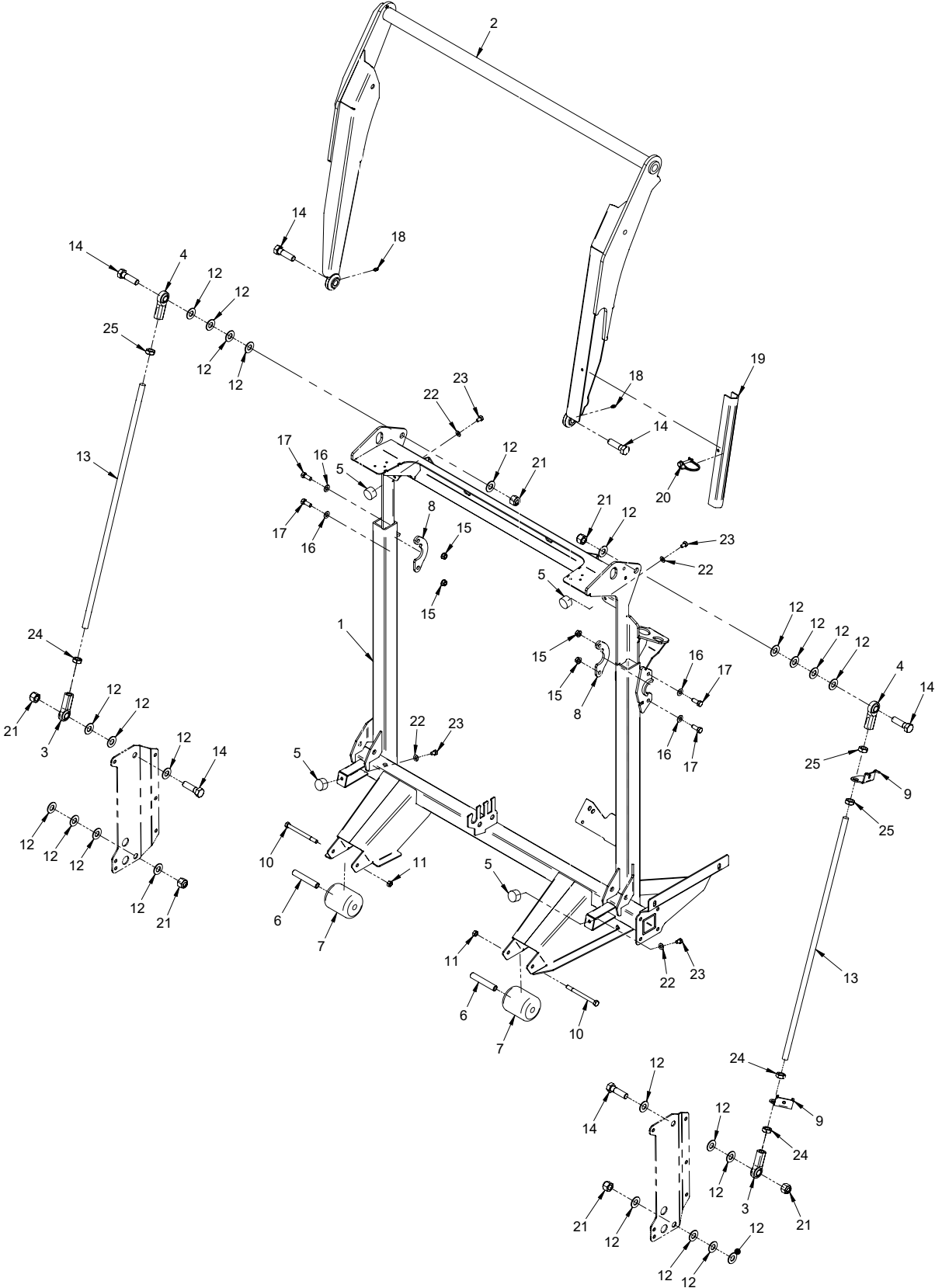
PARTS

Door Hydraulics

REF.	PART NO.	DESCRIPTION	QTY.
1	43.010	.ROD END, 5/8 SPHERICAL	2
2	23.0148	.CYLINDER, 1-1/2" X 8" VAC	1
3	44.0256	.CLAMP, HYD HOSE 12.7MM ID GRN	3
4	23.0149	.VALVLE, DOUBLE RELIEF	1
5	25.6801-06-06	.FITTING, 90 ME 3/8 X 3/8	2
6	25-6400-06-06	.FITTING, M CONN 3/8 X 3/8	4
7	95.10	.WASHER, FLAT 5/8 SAE	8
8	91.1016	.BOLT, HEX 5/8-18 UNF X 2	1
9	91.1018	.BOLT, HEX 5/8-18 UNF X 2-1/4	1
10	99.A10NFN	.LOCKNUT, NYLON 5/8-18 SAE ZP	1
11	05.0036	.GROMMET, 1 1/2ID,2 1/8OD,9/16T	1
12	95.04	.WASHER, FLAT 1/4 SAE	2
13	90.0414	.BOLT, HEX 1/4-20 UNC X 1-3/4"	2
14	99.SF04	.NUT, HEX 1/4-20 UNC FLANGE	2
15	99.E0092	.NUT, JAM 5/8-18 SAE LOCKING	1
16	99.E0011	.NUT, JAM 5/8 SAE	2
17	44.0229	.COVER PLATE, 2D GROUP	3
18	90.0518	.BOLT, HEX 5/16-18 UNC X 2-1/4"	3
19	95.05	.WASHER, FLAT 5/16 SAE	3
20	99.A05	.LOCKNUT, 5/16-18 UNC RH	3
21	05.0116	.WASHER, .544 ID X .817 X .14 RED	1
22	05.0117	.WASHER, .544 ID X .817 X .14 YEL	1
23	23.0104	.COUPLER, HYDRAULIC QUICK - 1/4 MALE	2
24	20.0279	.HOSE, ASM 1/4 X 92" SAE 100R17	1
25	20.0280	.HOSE, ASM 1/4 X 82" SAE 100R17	1
26	20.0283	.HOSE, ASM 1/4 X 25" SAE 100R17	2
27	20.0283	.HOSE, ASM 1/4 X 25" SAE 100R17	2

PARTS

ILLUSTRATED DRAWING Main Frame and Lift Frame



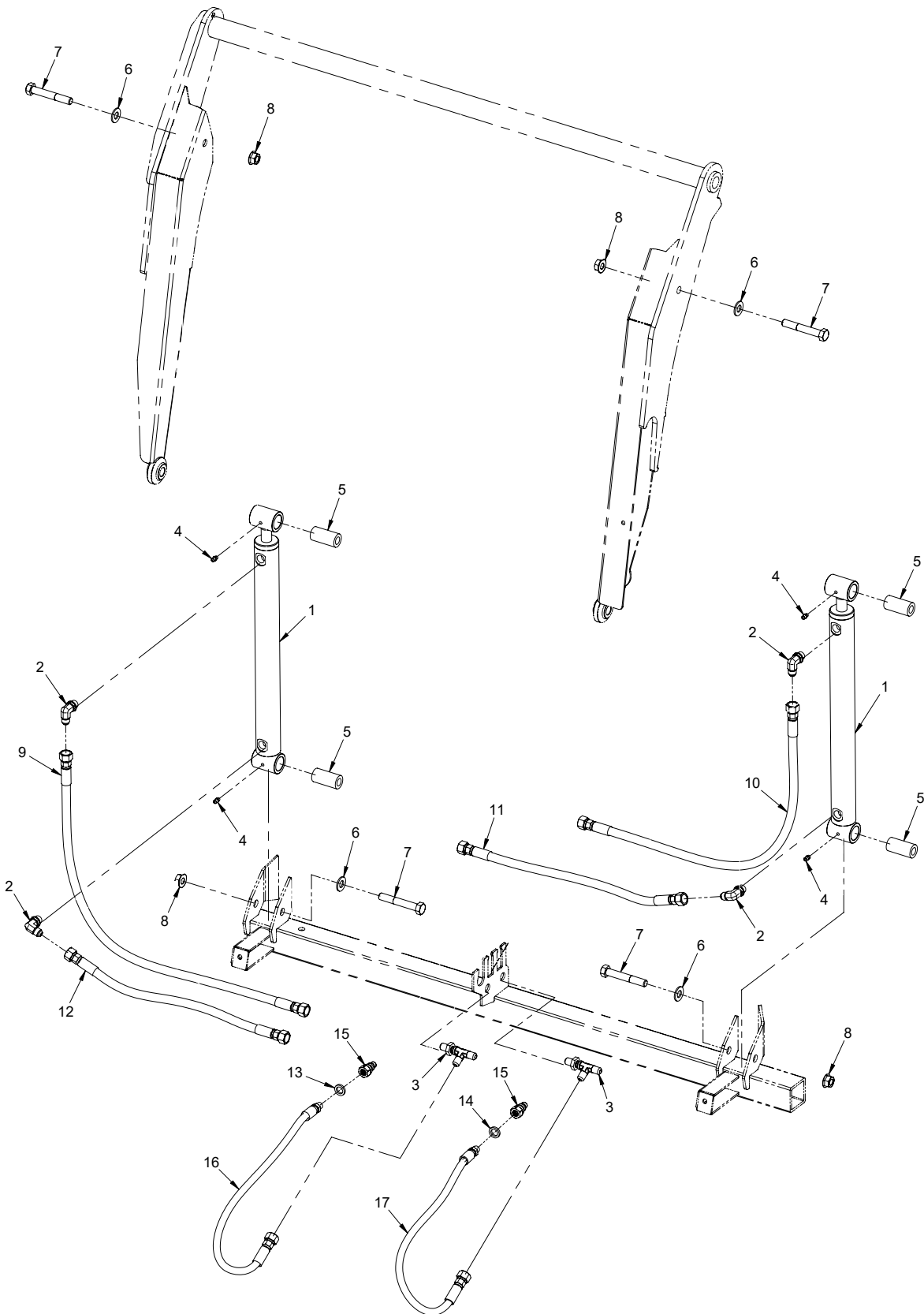
PARTS

Main Frame and Lift Frame

REF.	PART NO.	DESCRIPTION	QTY.
1	62.1282	.FRAME, MAIN RV600	1
2	62.1283	.FRAME, LIFT ARM RV600	1
3	43.010L	.ROD END, 5/8 SPHERICAL	2
4	43.010	.ROD END, 5/8 SPHERICAL	2
5	05.0118	.BUMPER, RUBBER CYLINDRICAL	4
6	50.0046	.TUBE, AXLE / FT ROLLER SPINDLE	2
7	50.0047	.ROLLER, FRONT 3" DIA X 3-1/2"	2
8	64.1362	.RETAINER, LIFT ARM HINGE	2
9	64.1437	.BRACKET, HOSE BLOCK HOLDER	2
10	90.0636	.BOLT, HEX 3/8-16 UNC X 4-1/2	2
11	99.A06	.LOCKNUT, 3/8-16 UNC RH	2
12	95.10	.WASHER, FLAT 5/8 SAE	23
13	42.0538	.ROD, THREAD 5/8-18 X 30 RH/LH	2
14	91.1018	.BOLT, HEX 5/8-18 UNF X 2-1/4	6
15	99.SF06	.NUT, HEX 3/8-16 UNC FLANGE	4
16	95.06	.WASHER, FLAT 3/8 SAE	4
17	90.0608	.BOLT, HEX 3/8-16 UNC X 1	4
18	29.GF0001	.GREASE FTG, 1/4 SAE ST	2
19	64.1454	.SUPPORT, CYLINDER LOCKOUT	1
20	03.0009	.PIN, SAFETY SNAP 1/4 X 1-3/8	1
21	99.A10NFN	.LOCKNUT, NYLON 5/8-18 SAE ZP	6
22	95.05	.WASHER, FLAT 5/16 SAE	4
23	90.0504	.BOLT, HEX 5/16-18 UNC X 1/2"	4
24	99.E0090	.NUT, JAM 5/8-18 SAE LH	3
25	99.E0011	.NUT, JAM 5/8 SAE	3

PARTS

ILLUSTRATED DRAWING Bin Lift Hydraulics



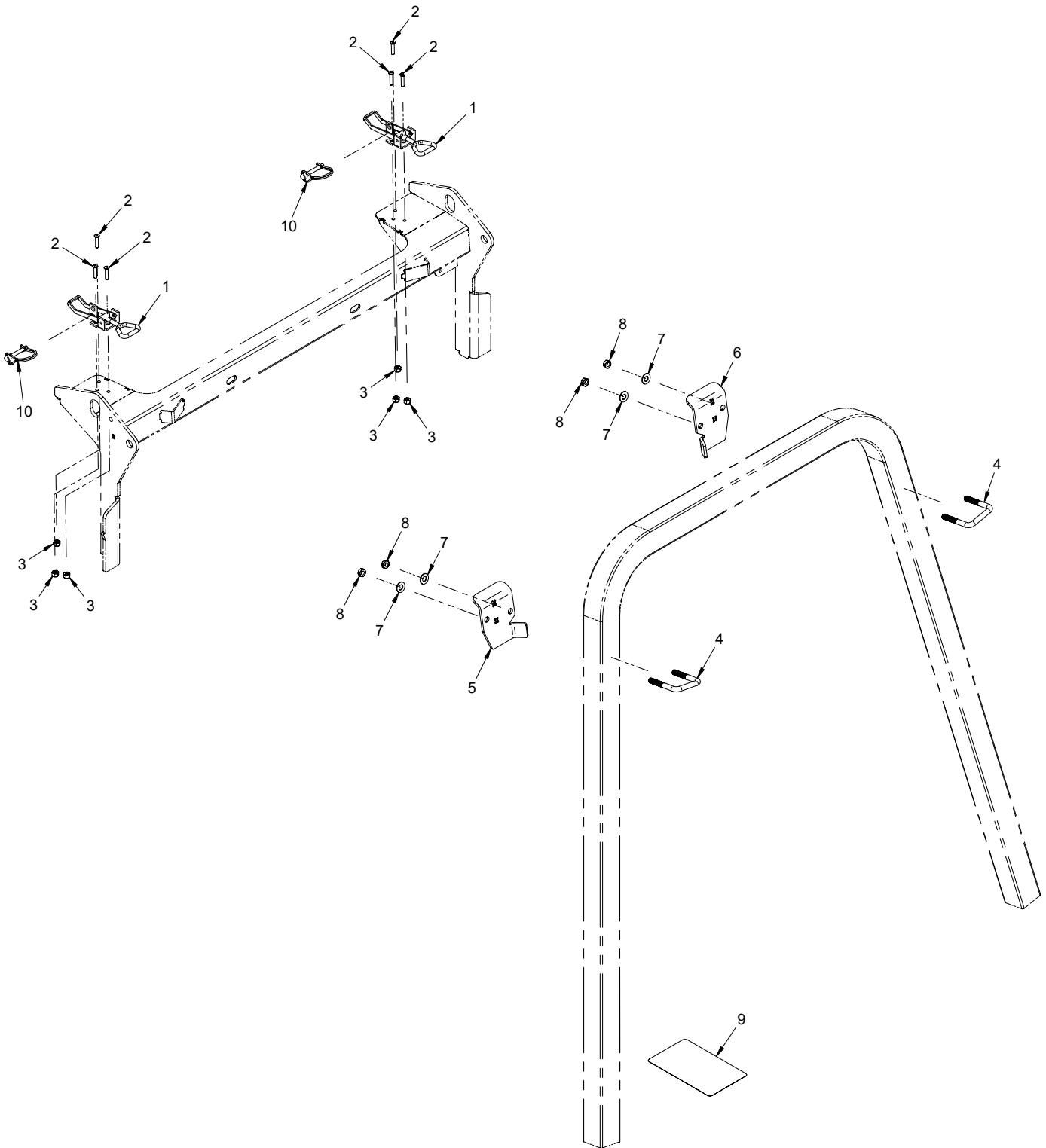
PARTS

Bin Lift Hydraulics

REF.	PART NO.	DESCRIPTION	QTY.
1	23.0144	CYLINDER, 1-1/2" X 14"	2
2	25.6801-06-06	FITTING, 90 ME 3/8 X 3/8	4
3	25.2704-6-6-6LN	FITTING, BULKHEAD T 3/8 W/LNUT	2
4	29.GF0001	GREASE FTG, 1/4 SAE ST	4
5	64.1459	BUSHING, 9/16 X 1 X 2"	4
6	95.08	WASHER, FLAT 1/2 SAE	4
7	90.0826	BOLT, HEX 1/2-13 UNC X 3-1/4	4
8	99.SF08	NUT, HEX 1/2-13 UNC FLANGE	4
9	20.0281	HOSE, ASM 1/4 X 33" SAE 100R17	1
10	20.0281	HOSE, ASM 1/4 X 33" SAE 100R17	1
11	20.0282	HOSE, ASM 1/4 X 19" SAE 100R17	1
12	20.0282	HOSE, ASM 1/4 X 19" SAE 100R17	1
13	05.0116	WASHER, .544 ID X .817 X .14 RED	1
14	05.0117	WASHER, .544 ID X .817 X .14 YEL	1
15	23.0104	COUPLER, HYDRAULIC QUICK - 1/4 MALE	2
16	20.0283	HOSE, ASM 1/4 X 25" SAE 100R17	2
17	20.0283	HOSE, ASM 1/4 X 25" SAE 100R17	2

PARTS

ILLUSTRATED DRAWING Rollbar Mount



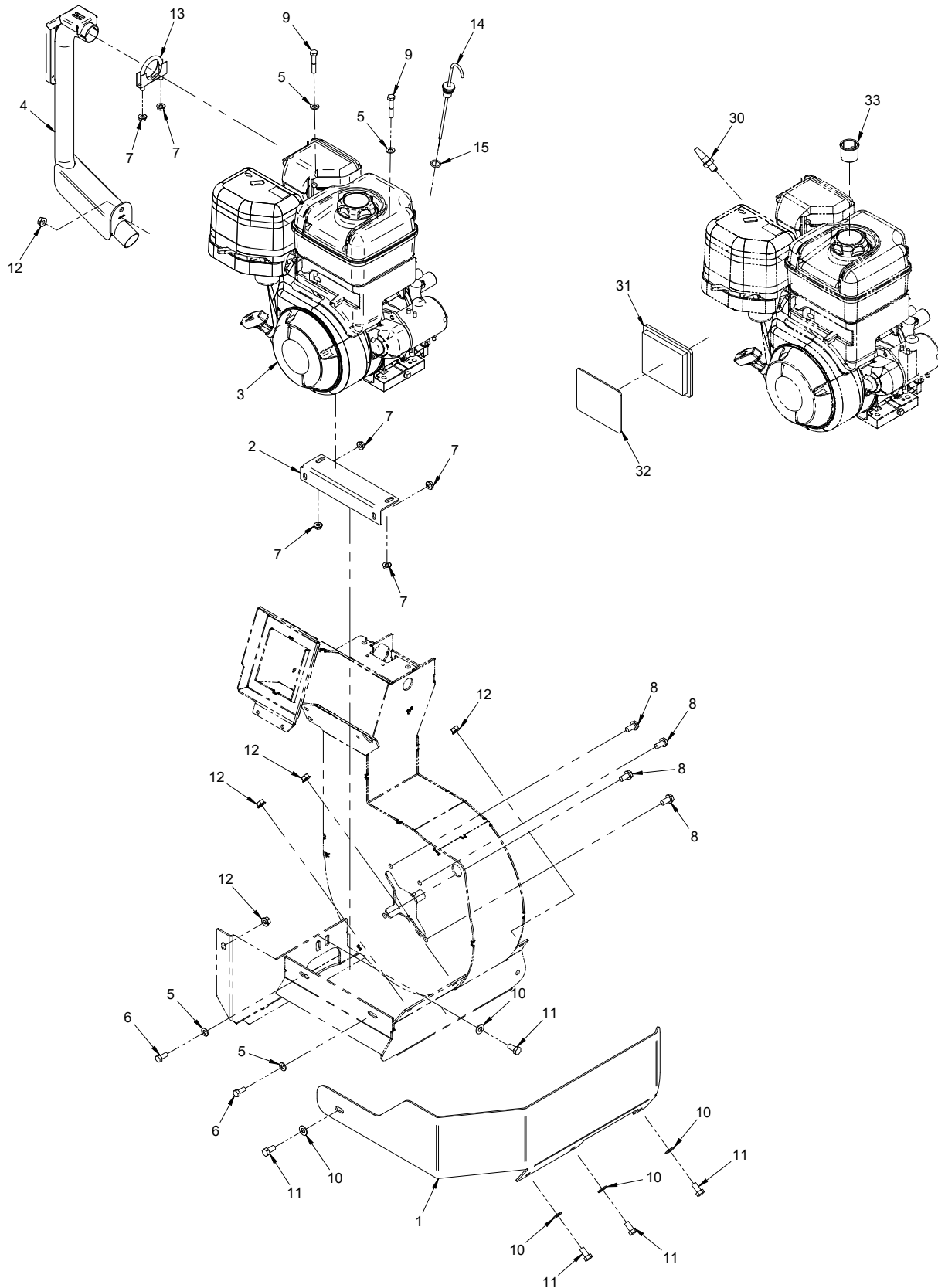
PARTS

Rollbar Mount

REF.	PART NO.	DESCRIPTION	QTY.
1	47.0273	.LATCH, OVER CENTER DJUSTABLE	2
2	99.K0102	.MACHINE SCREW, #12-24 X 3/4 ZP	6
3	99.E0089	.LOCKNUT, NYLON 12-24 ZP	6
4	11.0053	.U-BOLT, 3/8-16 2-1/16" ID SQ BEND	2
5	64.1435	.MOUNT, ROLLBAR RIGHT	1
6	64.1436	.MOUNT, ROLLBAR LEFT	1
7	95.06	.WASHER, FLAT 3/8 SAE	4
8	99.A06C	.LOCKNUT, CENTER 3/8-16	4
9	00.0268	.DECAL, COLLECTION SYSTEM RV600	1
10	03.0009	.PIN, SAFETY SNAP 1/4 X 1-3/8	2

PARTS

ILLUSTRATED DRAWING Engine and Guard



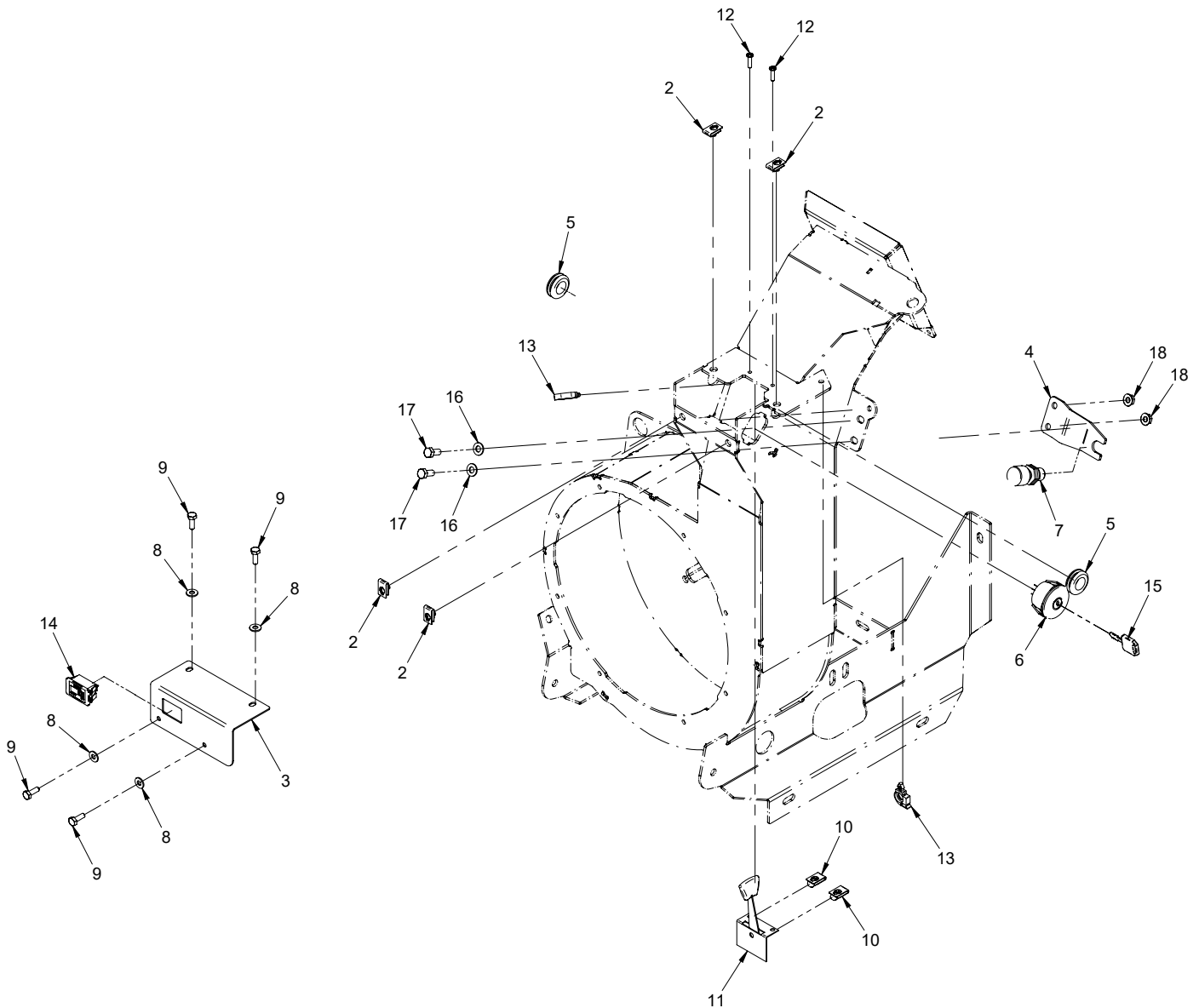
PARTS

Engine and Guard

REF.	PART NO.	DESCRIPTION	QTY.
1	62.1307	.BUMPER, ENGINE/FAN GUARD	1
2	64.1450	.BRACKET, ENGINE MOUNT	1
3	13.0233	.ENGINE, VANGUARD 9HP GAS	1
4	13.0234	.TUBE, EXHAUST FOR 13.0233	1
5	95.05	.WASHER, FLAT 5/16 SAE	4
6	90.0506	.BOLT, HEX 5/16-18 UNC X 3/4"	2
7	99.SF05	.NUT, HEX 5/16-20 UNC FLANGE	6
8	99.SF0606	.BOLT, FLANGE 3/8-16 UNC X 3/4	4
9	90.0514	.BOLT, HEX 5/16-18 UNC X 1-3/4"	2
10	95.06	.WASHER, FLAT 3/8 SAE	5
11	90.0606	.BOLT, HEX 3/8-16 UNC X 3/4	5
12	99.SF06	.NUT, HEX 3/8-16 UNC FLANGE	5
13	11.0039	.CLAMP, EXH. 5/16 X 1 1/2 ASM.	1
14	23.0150	.DIPSTICK, OIL	1
15	26.0040	.O-RING, .103 X .612 ID 60D	1
30	13.491055	.SPARK PLUG	1
31	13.491588	.FILTER, AIR	1
32	13.493537	.PRECLEANER, AIR	1
33	13.792917	.FILTER, FUEL	1

PARTS

ILLUSTRATED DRAWING Engine Controls & Electrical Components



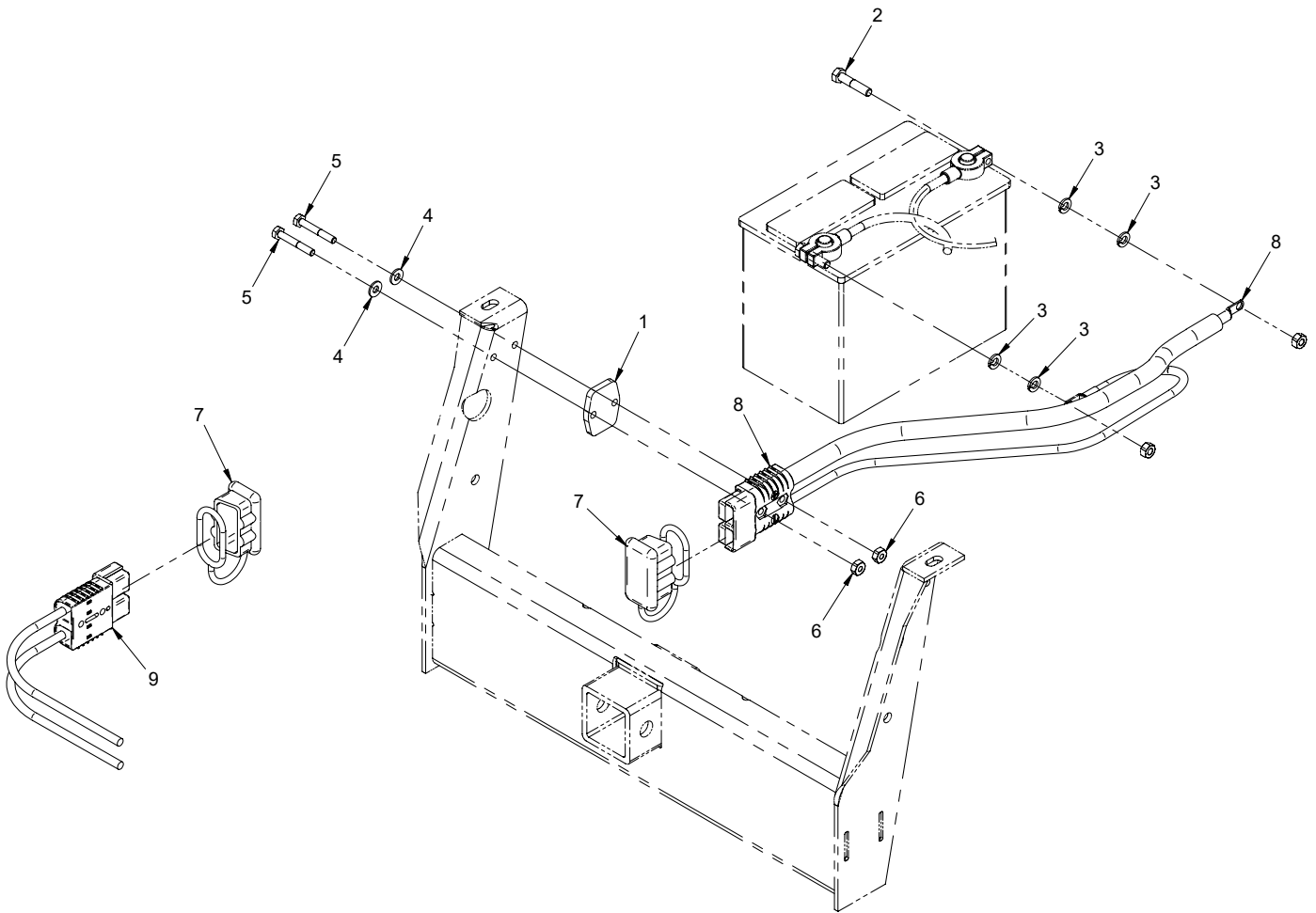
PARTS

Engine Controls & Electrical Components

REF.	PART NO.	DESCRIPTION	QTY.
1	32.0096	.HARNES, WIRE - RV600 (NOT SHOWN)	1
2	99.E0046	.NUT, "U" 1/4-20 EXTRUDED	4
3	60.1041	.COVER, IGNITION SWITCH	1
4	64.1452	.BRACKET, SHUTOFF SWITCH MOUNT	1
5	05.0045	.GROMMET, 3/4ID, 1 3/8OD, 1/2THK	2
6	13.0078	.SWITCH, IGNITION DELTA	1
7	31.0048	.SWITCH, ENGINE SHUTOFF - VAC.	1
8	95.04	.WASHER, FLAT 1/4 SAE	4
9	90.0406	.BOLT, HEX 1/4-20 UNC X 3/4"	4
10	99.E0091	.NUT, "U" #10-24 EXTRUDED	2
11	47.0179	.CABLE, THROTTLE 40" 1-5/8 TRAV.	1
12	99.K0106	.MACHINE SCREW, #10-24 X 3/4	2
13	30.0135	.CLAMP, LOOM 3/8 ROSEBUD MOUNT	2
14	35.0115	.GAUGE, HOUR METER 12V	1
15	13.0080	.KEY, IGNITION DELTA	2
16	95.05	.WASHER, FLAT 5/16 SAE	2
17	90.0506	.BOLT, HEX 5/16-18 UNC X 3/4"	2
18	99.SF05	.NUT, HEX 5/16-20 UNC FLANGE	2

PARTS

ILLUSTRATED DRAWING Battery Cable Connector



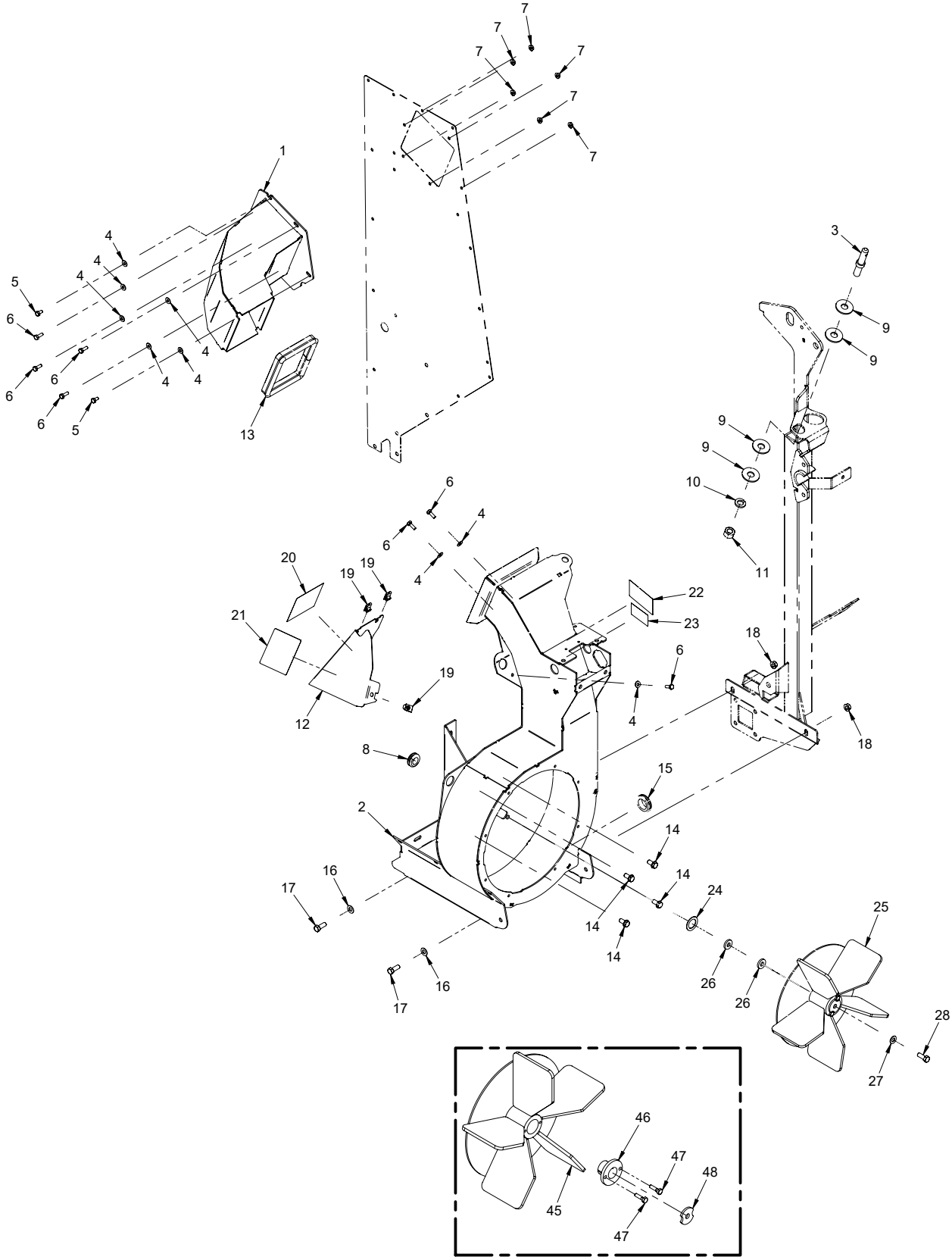
PARTS

Battery Cable Connector

REF.	PART NO.	DESCRIPTION	QTY.
1	64.1433	.PLATE, BATTERY CONNECTOR MOUNT	1
2	90.0512	.BOLT, HEX 5/16-18 UNC X 1-1/2"	1
3	96.05	.WASHER, LOCK 5/16	4
4	95.04	.WASHER, FLAT 1/4 SAE	2
5	90.0414	.BOLT, HEX 1/4-20 UNC X 1-3/4"	2
6	92.04H	.NUT, HEX HEAVY 1/4-20 UNC	2
7	30.0315	.COVER, SB 175 CONNECTOR	2
8	32.0094	.CABLE, ASM BATTERY VAC/TRACTOR	1
9	32.0095	.CABLE, ASM BATTERY VAC/ENGINE	1

PARTS

ILLUSTRATED DRAWING Fan and Upper Chute



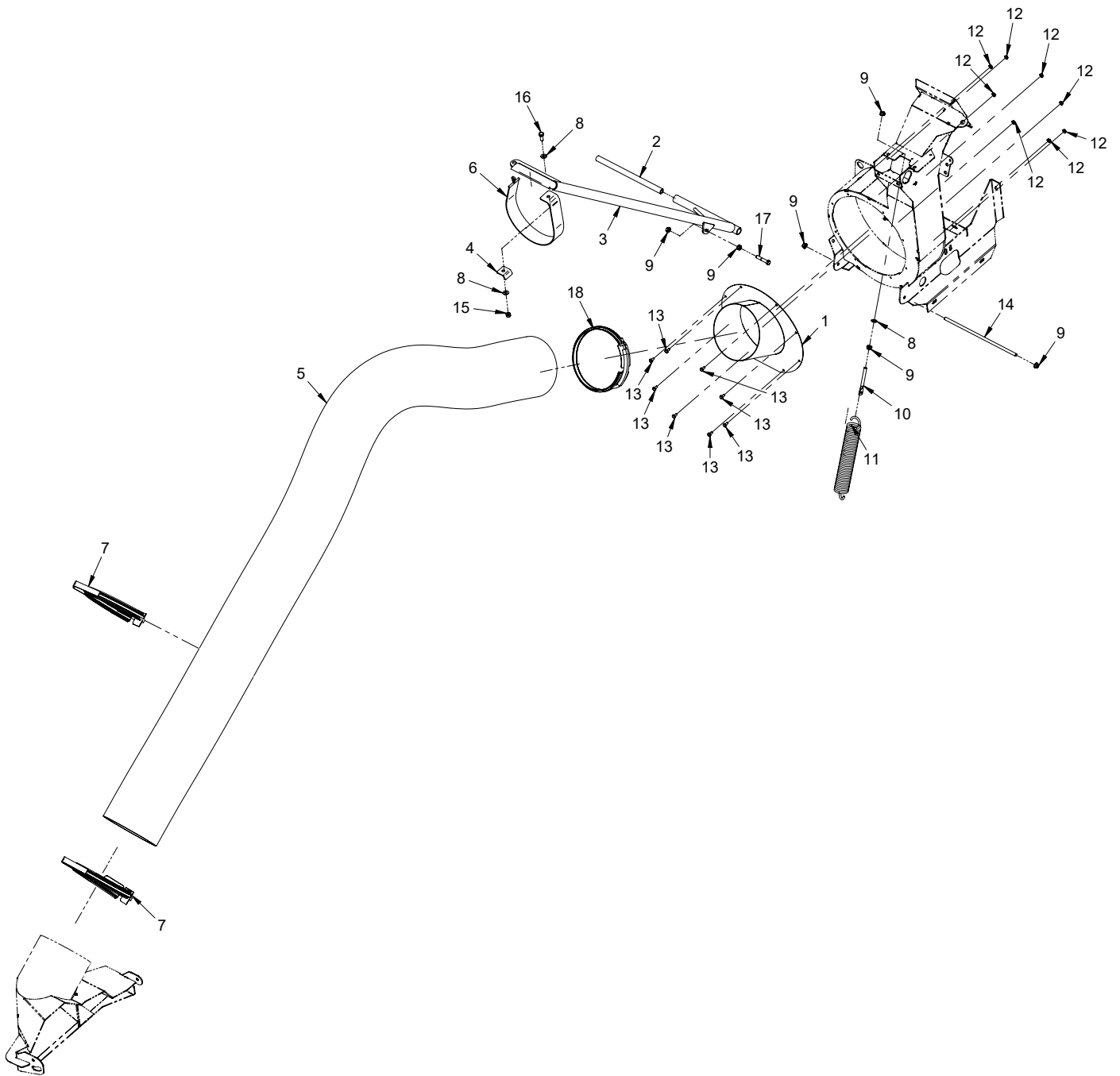
PARTS

Fan and Upper Chute

REF.	PART NO.	DESCRIPTION	QTY.
1	60.1038	.DUCT, COLLECTION BIN RV	1
2	62.1306	.HOUSING, COLLECTION FAN	1
3	03.0016	.PIN, LIFT ARM 5/8 X 3-7/8	1
4	95.04	.WASHER, FLAT 1/4 SAE	9
5	90.0404	.BOLT, HEX 1/4-20 UNC X 1/2"	2
6	90.0406	.BOLT, HEX 1/4-20 UNC X 3/4"	7
7	99.SF04	.NUT, HEX 1/4-20 UNC FLANGE	6
8	05.0045	.GROMMET, 3/4ID, 1 3/8OD, 1/2THK	1
9	94.10	.WASHER, FLAT 5/8 USS	4
10	96.10	.WASHER, LOCK 5/8	1
11	92.10	.NUT, HEX 5/8-11UNC	1
12	60.1039	.SHIELD, ENGINE EXHAUST	1
13	06.0043-22IN	.TRIM, TRIM SEAL W/BULB X 22"	1
14	99.SF0606	.BOLT, FLANGE 3/8-16 UNC X 3/4	4
15	05.0060	.GROMMET, 1-1/8 ID, 1-3/4 OD	1
16	95.06	.WASHER, FLAT 3/8 SAE	2
17	90.0608	.BOLT, HEX 3/8-16 UNC X 1	2
18	99.SF06	.NUT, HEX 3/8-16 UNC FLANGE	2
19	99.E0046	.NUT, "U" 1/4-20 EXTRUDED	3
20	00.0122	.DECAL, THROWN OBJECT HAZARD	1
21	00.0121	.DECAL, DANGER EXPLOSION HAZARD	1
22	00.0217	.DECAL, WARNING READ OWNERS MANUAL	1
23	00.0219	.DECAL, WARNING DO NOT REACH	1
24	99.B0017	.WASHER, MACH 1" 18GA	1
25	80.0373	.FAN, COLLECTION SYSTEM ASM	1
26	99.G0014	.WASHER, 3/8 USS FW .165 THK	2
27	99.B0047	.WASHER, FLAT 3/8 SAE GRADE 8	1
28	99.K0104	.BOLT, 3/8-24 X 1 GRD 8	1
45	80.0373-1	.FAN, COLLECTION SYSTEM	1
46	80.0373-2	.BUSHING, 1" TAPER HUB	1
47	90.0408	.BOLT, HEX 1/4-20 UNC X 1"	2
48	80.0373-3	.WASHER, COLLECTION FAN	1

PARTS

ILLUSTRATED DRAWING Vacuum Hose and Support Arm



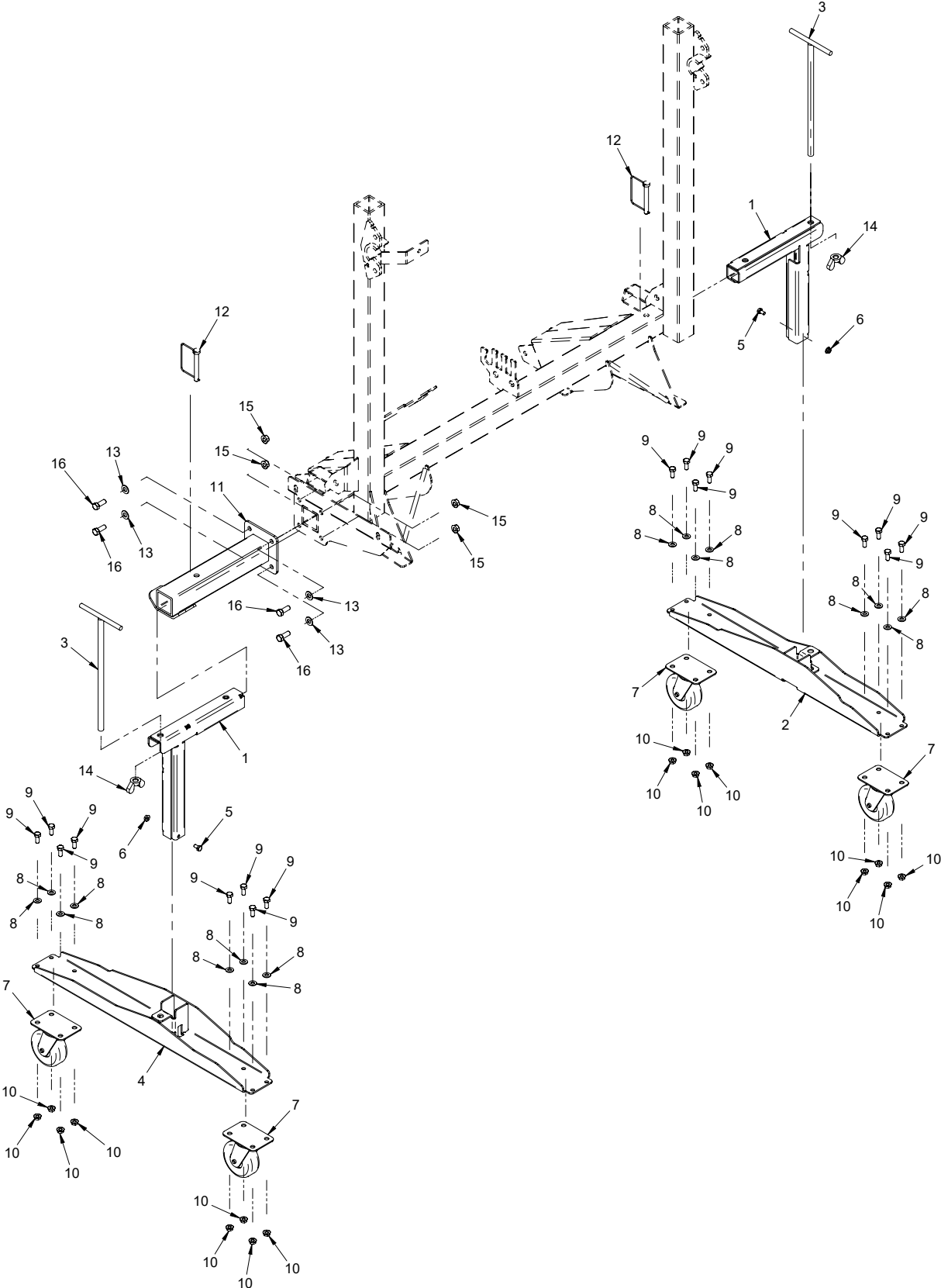
PARTS

Vacuum Hose and Support Arm

REF.	PART NO.	DESCRIPTION	QTY.
1	60.1040	.DUCT, FAN INLET RV	1
2	64.1440	.TUBE, 3/4OD X 7/16ID X 11 3/4 L	1
3	42.0540	.ARM, COLLECTION HOSE SUPPORT	1
4	64.1451	.CLAMP, STRAP	1
5	47.0270	.HOSE, 8" COLLECTION 9' 4" DUCT	1
6	44.0254	.STRAP, HOSE RETAINER	1
7	11.0066	.CLAMP, HOSE 8" V-BAND W/ LATCH	2
8	95.06	.WASHER, FLAT 3/8 SAE	3
9	99.SF06	.NUT, HEX 3/8-16 UNC FLANGE	6
10	99.K0094	.BOLT, HANGER 3/8-16 X 4-1/4	1
11	41.0076	.SPRING, EXT 2" OD X 12-3/8 LG	1
12	99.SF04	.NUT, HEX 1/4-20 UNC FLANGE	8
13	90.0404	.BOLT, HEX 1/4-20 UNC X 1/2"	8
14	42.0543	.ROD, THREAD 3/8-16 X 13 ALL THREAD	1
15	99.A06N	.LOCKNUT, NYLON 3/8-16 USS	1
16	90.0608	.BOLT, HEX 3/8-16 UNC X 1	1
17	90.0616	.BOLT, HEX 3/8-16 UNC X 2	1
18	11.0067	.CLAMP, HOSE 8" V-BAND W/ NUT	1

PARTS

ILLUSTRATED DRAWING Storage Stand with Casters



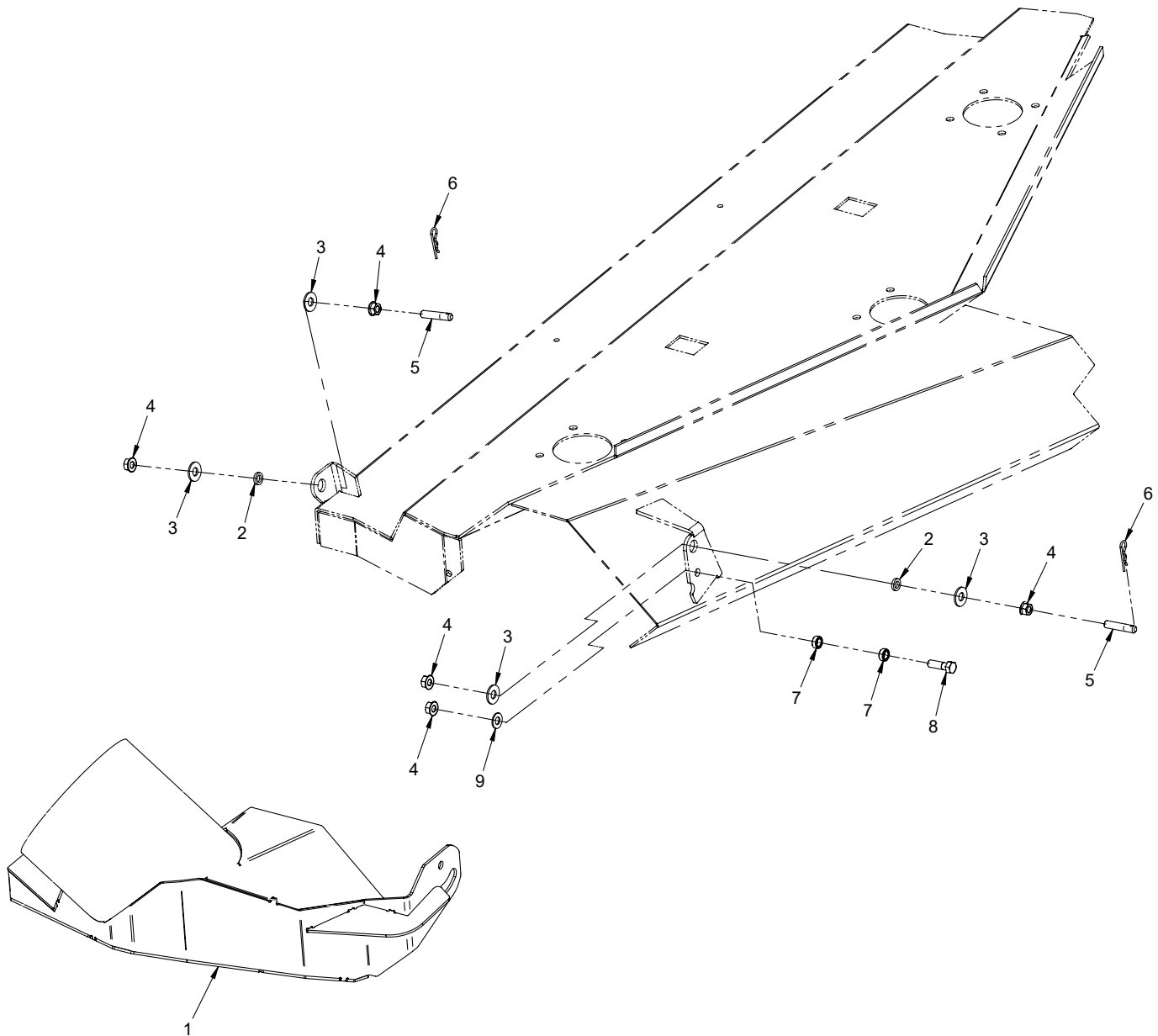
PARTS

Storage Stand with Casters

REF.	PART NO.	DESCRIPTION	QTY.
1	62.1311	.STAND, STORAGE LEG	2
2	62.1309	.STAND, RV STORAGE RIGHT	1
3	42.0539	.ADJUSTER, RV STORAGE STAND	2
4	62.1310	.STAND, RV STORAGE RIGHT	1
5	90.0404	.BOLT, HEX 1/4-20 UNC X 1/2"	2
6	99.SF04	.NUT, HEX 1/4-20 UNC FLANGE	2
7	53.0136	.WHEEL, CASTER 3-1/2 DIA X 1-1/4	4
8	95.05	.WASHER, FLAT 5/16 SAE	16
9	90.0506	.BOLT, HEX 5/16-18 UNC X 3/4"	16
10	99.SF05	.NUT, HEX 5/16-20 UNC FLANGE	16
11	64.1460	.FRAME, MAIN EXTENSION - RV	1
12	03.0015	.PIN, SAFETY SNAP 3/8 X 3"	2
13	95.06	.WASHER, FLAT 3/8 SAE	4
14	99.E0093	.NUT, WING 1/2-13 USS	2
15	99.SF06	.NUT, HEX 3/8-16 UNC FLANGE	4
16	90.0608	.BOLT, HEX 3/8-16 UNC X 1	4

PARTS

ILLUSTRATED DRAWING 70.8090 HM602 Discharge Boot



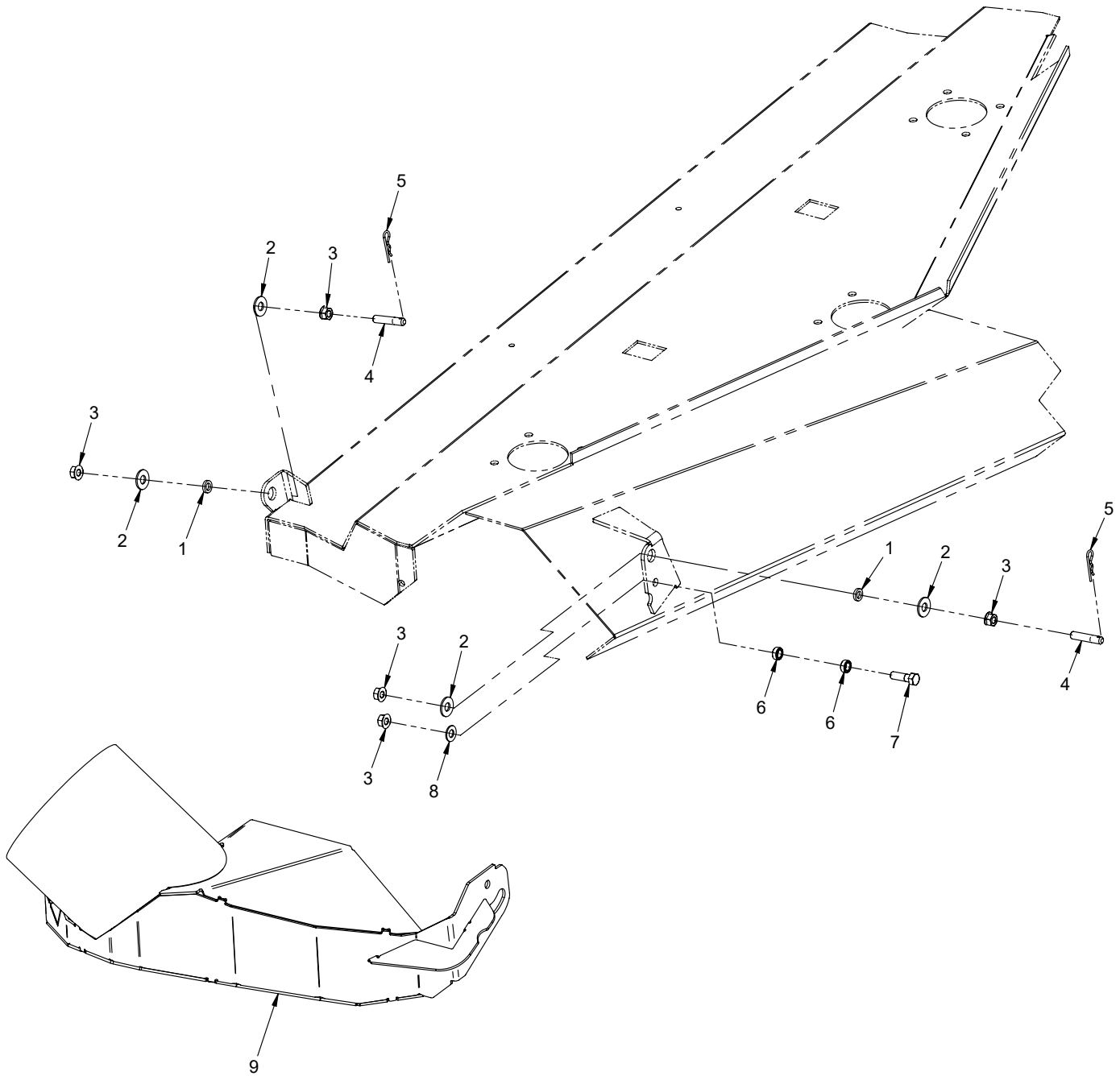
PARTS

70.8090 HM602 Discharge Boot

REF.	PART NO.	DESCRIPTION	QTY.
1	62.1305	.BOOT, COLLECTION HM602	1
2	05.0119	.WASHER, NYLON	2
3	94.06	.WASHER, FLAT 3/8 USS	4
4	99.SF06	.NUT, HEX 3/8-16 UNC FLANGE	5
5	99.F0042	.PIN, LIFT ARM 3/8-16 X 1-7/8	2
6	02.HP0313	.HAIRPIN, 3/32 X 1-5/8	2
7	64.0602	.BUSHING, 3/8 X 5/8 X .265	2
8	90.0610	.BOLT, HEX 3/8-16 UNC X 1-1/4	1
9	95.06	.WASHER, FLAT 3/8 SAE	1

PARTS

ILLUSTRATED DRAWING 70.8091 HM/HP722 Discharge Boot



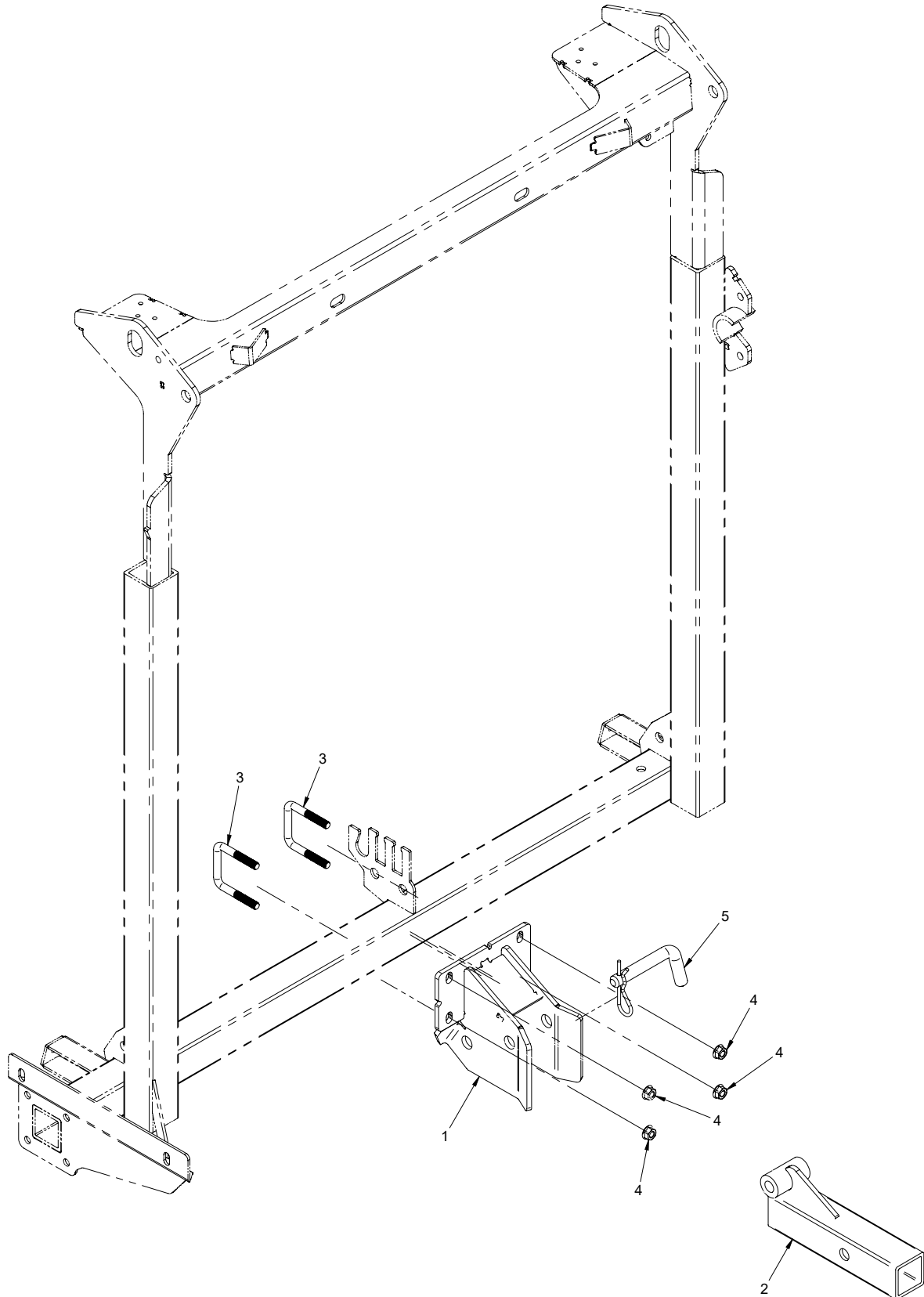
PARTS

70.8091 HM/HP722 Discharge Boot

REF.	PART NO.	DESCRIPTION	QTY.
1	05.0119	WASHER, NYLON	2
2	94.06	WASHER, FLAT 3/8 USS	4
3	99.SF06	NUT, HEX 3/8-16 UNC FLANGE	5
4	99.F0042	PIN, LIFT ARM 3/8-16 X 1-7/8	2
5	02.HP0313	HAIRPIN, 3/32 X 1-5/8	2
6	64.0602	BUSHING, 3/8 X 5/8 X .265	2
7	90.0610	BOLT, HEX 3/8-16 UNC X 1-1/4	1
8	95.06	WASHER, FLAT 3/8 SAE	1
9	62.1315	BOOT, COLLECTION - HM722	1

PARTS

ILLUSTRATED DRAWING 70.8094 Pin Connect Hitch



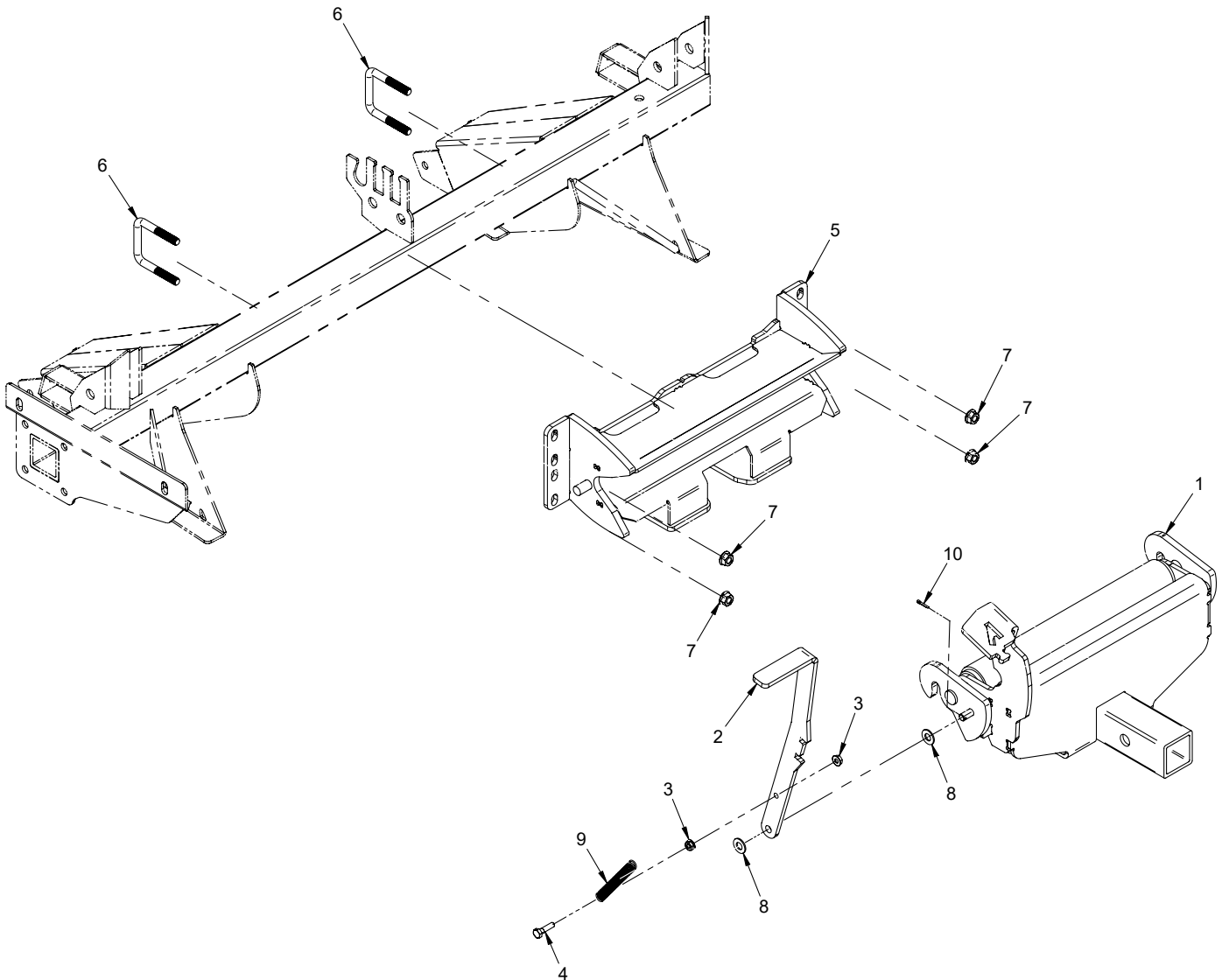
PARTS

70.8094 Pin Connect Hitch

REF.	PART NO.	DESCRIPTION	QTY.
1	62.1316	.HITCH, COLLECTION BASIC	1
2	62.1317	.HITCH, TRACTOR RV BASIC	1
3	11.0053	.U-BOLT, 3/8-16 2-1/16" ID SQ BEND	2
4	99.SF06	.NUT, HEX 3/8-16 UNC FLANGE	4
5	03.0014	.PIN, HITCH 5/8" X 3" USABLE	1

PARTS

ILLUSTRATED DRAWING 70.8093 Standard Fast Connect Hitch



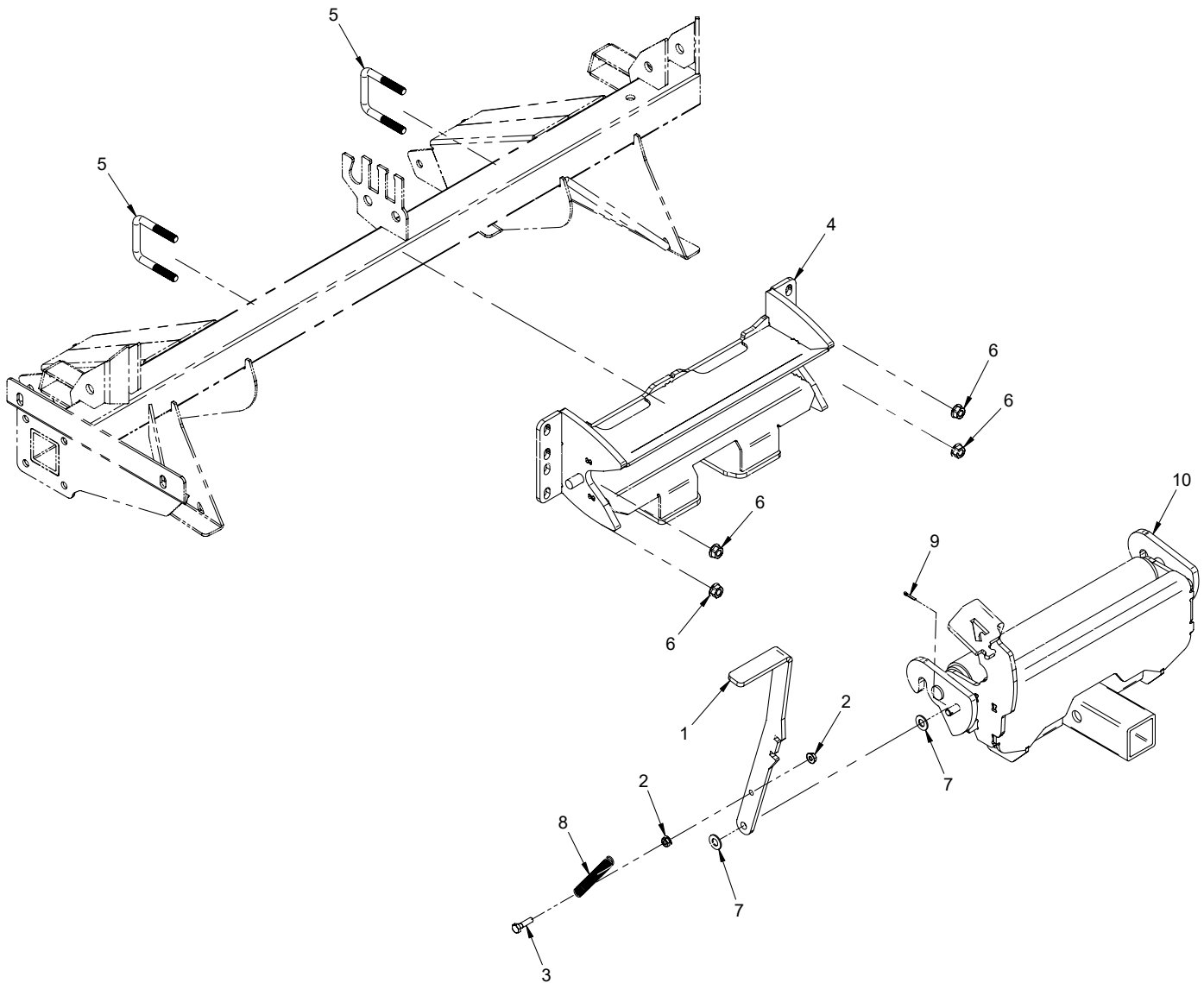
PARTS

70.8093 Standard Fast Connect Hitch

REF.	PART NO.	DESCRIPTION	QTY.
1	62.1312	.HITCH, TRACTOR RECEIVER RV	1
2	40.0359	.HANDLE, TRACTOR RECEIVER HITCH	1
3	99.SF04	.NUT, HEX 1/4-20 UNC FLANGE	2
4	90.0408	.BOLT, HEX 1/4-20 UNC X 1"	1
5	62.1308	.HITCH, COLLECTION RECEIVER	1
6	11.0053	.U-BOLT, 3/8-16 2-1/16" ID SQ BEND	2
7	99.SF06	.NUT, HEX 3/8-16 UNC FLANGE	4
8	95.06	.WASHER, FLAT 3/8 SAE	2
9	41.0097	.SPRING, EXT 31/64 OD X 4-1/2 LG	1
10	02.CP0306	.COTTER PIN, 3/32 X 3/4	1

PARTS

ILLUSTRATED DRAWING 70.8095 3 Point Fast Connect Hitch



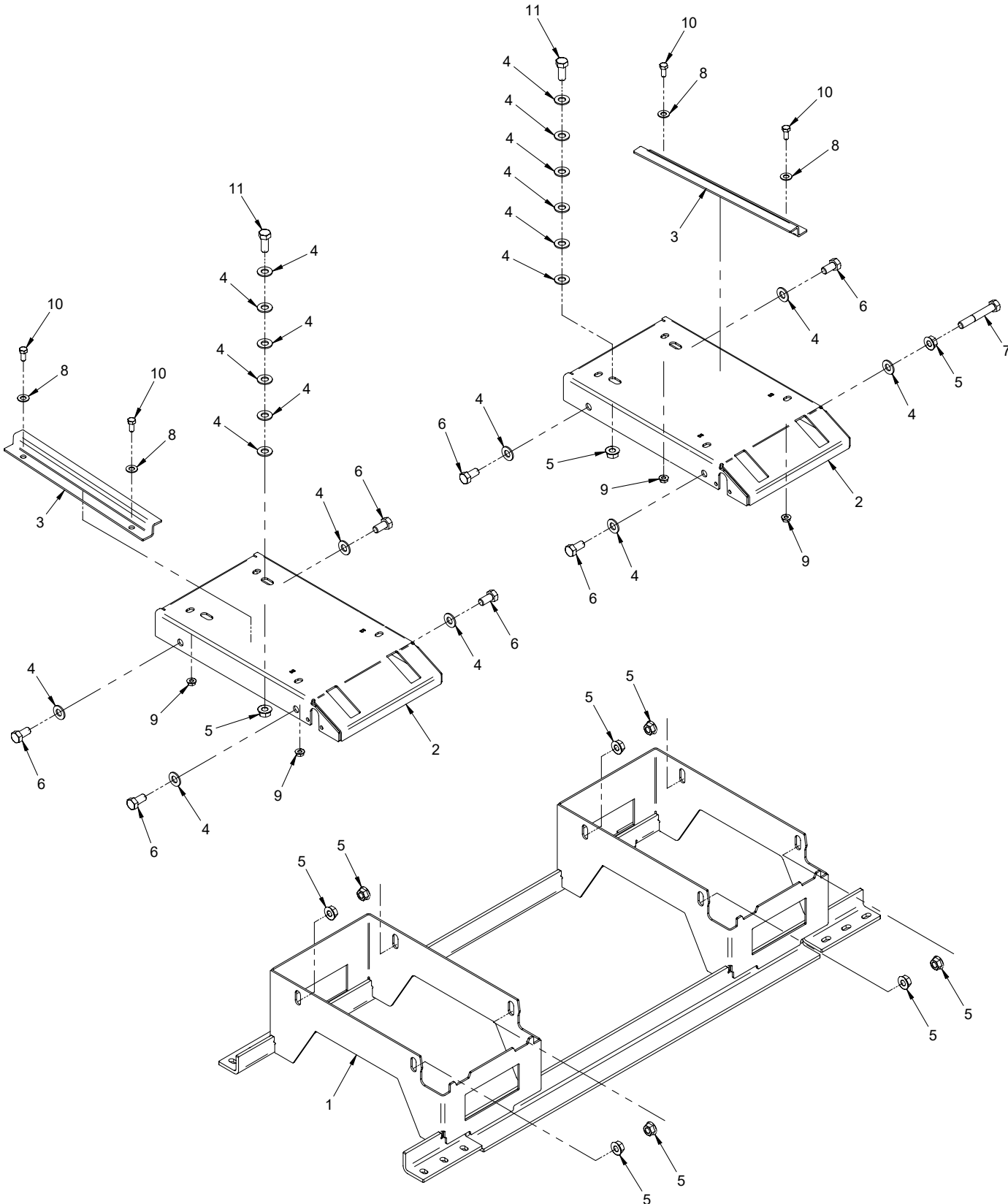
PARTS

70.8095 3 Point Fast Connect Hitch

REF.	PART NO.	DESCRIPTION	QTY.
1	40.0359	HANDLE, TRACTOR RECEIVER HITCH	1
2	99.SF04	NUT, HEX 1/4-20 UNC FLANGE	2
3	90.0408	BOLT, HEX 1/4-20 UNC X 1"	1
4	62.1308	HITCH, COLLECTION RECEIVER	1
5	11.0053	U-BOLT, 3/8-16 2-1/16" ID SQ BEND	2
6	99.SF06	NUT, HEX 3/8-16 UNC FLANGE	4
7	95.06	WASHER, FLAT 3/8 SAE	2
8	41.0097	SPRING, EXT 31/64 OD X 4-1/2 LG	1
9	02.CP0306	COTTER PIN, 3/32 X 3/4	1
10	62.1318	HITCH, TRACTOR 3PT RECEIVER	1

PARTS

ILLUSTRATED DRAWING 70.8092 Docking Station Base



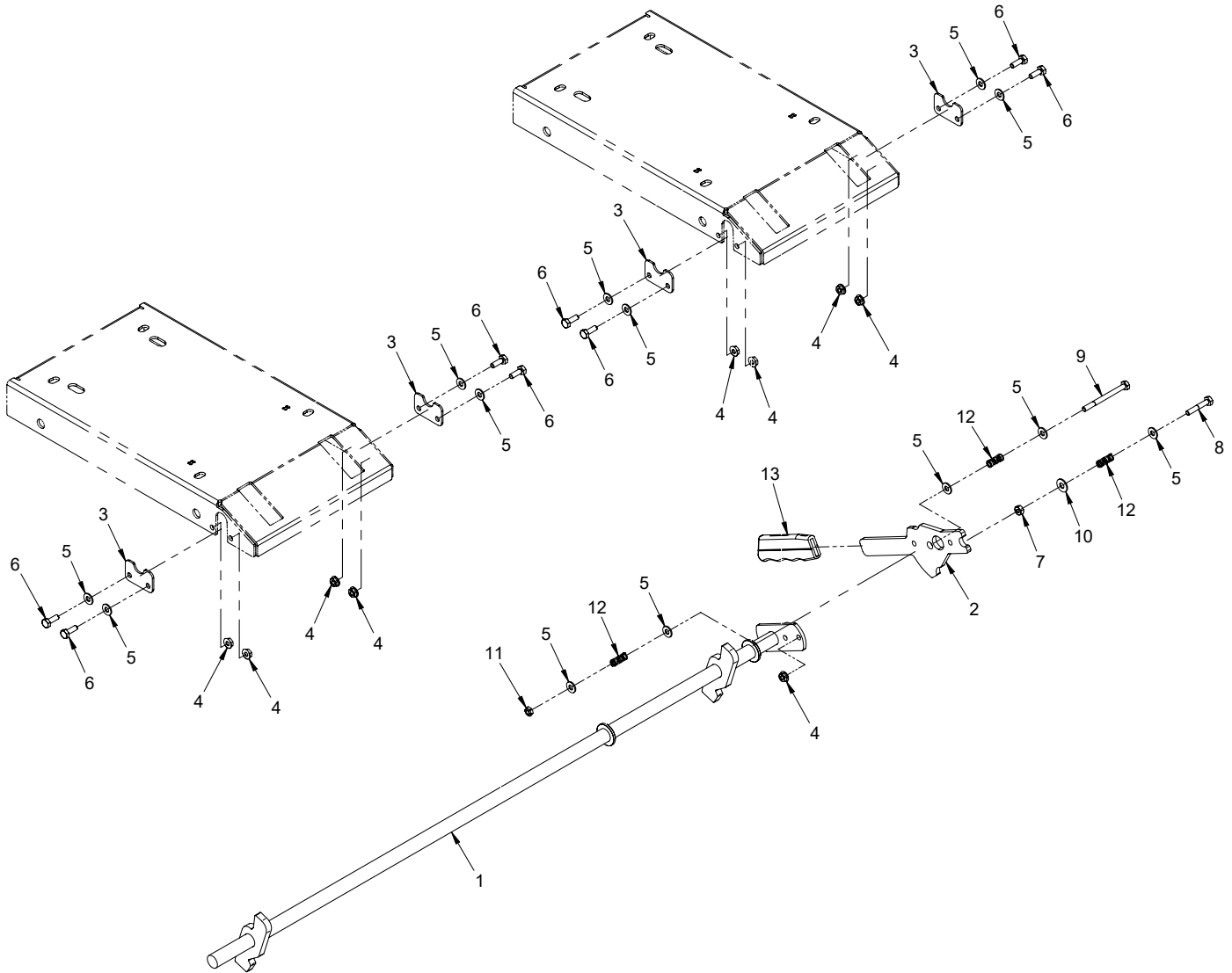
PARTS

70.8092 Docking Station Base

REF.	PART NO.	DESCRIPTION	QTY.
1	62.1313	.FRAME, RV STORAGE STAND	1
2	62.1314	.STAND, ROLLER RAMP	2
3	42.0541	.GUIDE, STORAGE STAND	2
4	95.08	.WASHER, FLAT 1/2 SAE	20
5	99.SF08	.NUT, HEX 1/2-13 UNC FLANGE	11
6	90.0808	.BOLT, HEX 1/2-13 UNC X 1	7
7	90.0826	.BOLT, HEX 1/2-13 UNC X 3-1/4	1
8	95.06	.WASHER, FLAT 3/8 SAE	4
9	99.SF05	.NUT, HEX 5/16-20 UNC FLANGE	4
10	90.0506	.BOLT, HEX 5/16-18 UNC X 3/4"	4
11	90.0810	.BOLT, HEX 1/2-13 UNC X 1-1/4	2

PARTS

ILLUSTRATED DRAWING 70.8092 Docking Station Latch



PARTS

70.8092 Docking Station Latch

REF.	PART NO.	DESCRIPTION	QTY.
1	64.1438	.LATCH, STORAGE STAND	1
2	40.0358	.HANDLE, STORAGE LATCH	1
3	64.1439	.RETAINER, RV STORAGE LATCH	4
4	99.SF04	.NUT, HEX 1/4-20 UNC FLANGE	9
5	95.04	.WASHER, FLAT 1/4 SAE	13
6	90.0406	.BOLT, HEX 1/4-20 UNC X 3/4"	8
7	92.04	.NUT, HEX 1/4-20 UNC	1
8	90.0412	.BOLT, HEX 1/4-20 UNC X 1-1/2"	1
9	90.0424	.BOLT, HEX 1/4-20 UNC X 3"	1
10	94.04	.WASHER, FLAT 1/4 USS	1
11	99.A04	.LOCKNUT, 1/4-20 UNC RH	1
12	41.0094	.SPRING, COMP 3/8 OD X 1" LG	3
13	47.0086	.GRIP, SLIP-ON HANDLE - BLACK	1

WARRANTY



LIMITED WARRANTY - VENTRAC TURF EQUIPMENT

Venture Products, Inc. (shall be referred to as V.P.I.) warrants on the terms and conditions herein, that it will repair, replace, or adjust any part manufactured by Venture Products Inc. and found by Venture Products Inc. to be defective in material and / or workmanship.

Effective September 1st 2005, Ventrac warranty on power units & attachments (excluding the HG100/HG150 generator) for **residential use only** is limited to **three (3) years** from original purchase date. Ventrac power units & attachments used **commercially or for any income-producing purpose** is limited to **two (2) years** from original purchase date. Ventrac ET200 turbine blower (turbine only) is limited to **two (2) years** from original purchase date. Ventrac HG100/HG150 generator is limited to **one (1) year** from original purchase date. Ventrac power units & attachments used for **rental** is limited to **180 days** from original purchase date. (NOTE: All accessories such as: 3-point hitch, foot pedal, dual wheel kit, etc. will be covered under the above warranty periods as they would apply provided they are installed by an authorized Ventrac dealer.) This warranty may be transferred and will carry the remainder of the warranty starting from the original purchase/registration date with the dealership and/or V.P.I. In the event that product/s originally registered as **(3) year residential use** are to be transferred to a commercial user, the warranty would change to the remainder of **(2) year commercial use** starting from the original purchase/registration date with the dealership and/or V.P.I.

If this warranty covers a consumer product as defined by the Magnusson-Moss warranty act, no warranties, express or implied, (including, but not limited to, the warranty of merchantability or fitness for a particular purpose) shall extend beyond the applicable time period stated in bold face type above.

If this warranty covers a product used commercially or for any income producing purpose, the foregoing warranties are in lieu of all other warranties and no representations, guarantees or warranties, express or implied, (including, but not limited to, a warranty of merchantability or fitness for a particular purpose), are made by V.P.I. in connection with the manufacture or sale of its products.

The engine warranty is covered by its respective engine manufacturer. Please refer to the engine manufacturer's warranty statement that is included in the owner's manual.

The Ventrac turf equipment, including any defective parts, must be returned to an authorized Ventrac dealer within the warranty period. The warranty shall extend to the cost to repair or replace (as determined by V.P.I.) the defective part. **The expense of pickup and delivery of equipment, service call drive time or any transportation expense incurred for warranty repair is the sole responsibility of the owner and is not covered under warranty by Ventrac and/or V.P.I.** V.P.I.'s responsibility in respect to claims is limited to making the required repairs or replacements, and no claim of breach of warranty shall be cause for cancellation or rescission of the contract of sale of any Ventrac equipment. Proof of purchase may be required by the dealer to substantiate any warranty claim. Only warranty work performed and submitted by an authorized Ventrac dealer may be eligible for warranty credit.

This warranty extends only to Ventrac turf equipment operated under normal conditions and properly serviced and maintained. The warranty expressly does **not** cover: (a) any defects, damage or deterioration due to normal use, wear and tear, or exposure; (b) normal maintenance services, such as cleaning, lubrication, oil change; (c) replacement of service items, such as oil, lubricants, spark plugs, belts, rubber hoses or other items subject to normal service replacement; (d) damage or defects arising out of, or relating to abuse, misuse, neglect, alteration, negligence or accident; (e) repair or replacement arising from operation of, or use of the turf equipment which is not in accordance with operating instructions as specified in the operator's manual or other operational instructions provided by V.P.I.; (f) repair or replacement arising as a result of any operation from Ventrac turf equipment that has been altered or modified so as to, in the determination of V.P.I., adversely affect the operation, performance or durability of the equipment or that has altered, modified or affected the turf equipment so as to change the intended use of the product; (g) repair or replacement necessitated by the use of parts, accessories or supplies, including gasoline, oil or lubricants, incompatible with the turf

WARRANTY



LIMITED WARRANTY - VENTRAC TURF EQUIPMENT

equipment or other than as recommended in the operator's manual or other operational instructions provided by V.P.I.; (h) repairs or replacements resulting from parts or accessories which have adversely affected the operation, performance or durability of the turf equipment; or (i) damage or defects due to or arising out of repair of Ventrac turf equipment by person or persons other than an authorized Ventrac service dealer or the installation of parts other than genuine Ventrac parts or Ventrac recommended parts.

The sole liability of V.P.I. with respect to this warranty shall be repair and replacement as set forth herein. V.P.I. shall have no liability for any other cost, loss, or damage. In particular V.P.I. shall have no liability or responsibility for: (i) expenses relating to gasoline, oil, lubricants; (ii) loss, cost, or expense relating to transportation or delivery of turf equipment from the location of owner or location where used by owner to or from any authorized Ventrac dealer; (iii) travel time, overtime, after hours time or other extraordinary repair charges or charge relating to repairs or replacements outside of normal business hours at the place of business of an authorized Ventrac dealer; (iv) rental of like or similar replacement equipment during the period of any warranty repair or replacement work; (v) any telephone or telegram charges; (vi) loss or damage to person or property other than that covered by the terms of this warranty; (vii) any claims for lost revenue, lost profit or additional cost or expense incurred as a result of a claim of breach of warranty; or (viii) attorney's fees.

The remedies of buyer set forth herein are exclusive and are in lieu of all other remedies. The liability of V.P.I., whether in contract, tort, under any warranty, or otherwise, shall not extend beyond its obligation as set forth herein. V.P.I. shall not be liable for cost of removal or installation nor shall V.P.I. be responsible for any direct, indirect, special or consequential damages of any nature. In no event shall V.P.I. be liable for any sum in excess of the price received for the goods for which liability is claimed.

There are no representations or warranties which have been authorized to the buyer of the turf equipment other than set forth in this warranty. Any and all statements or representations made by any seller of this equipment, including those set forth in any sales literature or made orally by any sales representative, are superseded by the terms of this warranty. Any affirmation of fact or promise made by V.P.I. or any of its representatives to the buyer which relates to the goods that are the subject to this warranty shall not be regarded as part of the basis of the bargain and shall not be deemed to create any express warranty that such goods shall conform to the affirmation or promise.

No employee, distributor, or representative is authorized to change the foregoing warranties in any way or grant any other warranty on behalf of V.P.I.

Some states do not allow limitations on how long an implied warranty lasts or allow the exclusion on limitation of incidental or consequential damages, so the above limitation or exclusion may not apply to you.

This warranty gives you specific legal rights, and you may also have other rights which vary from state to state.

This warranty applies to all Ventrac turf equipment sold in the United States and Canada.