



**OPERATOR'S MANUAL  
& PARTS DRAWINGS**

**SALT SPREADER**

**MODEL SS575  
SERIAL # AB1051-**





500 Venture Drive  
PO Box 148  
Orrville, OH 44667  
www.ventrac.com

**To the Owner  
Contact Information and Product Identification**

If you need to contact an authorized Ventrac dealer for information on servicing your product, always provide the product model and serial numbers.

*Please fill in the following information for future reference. See the picture(s) below to find the location of the identification numbers. Record them in the spaces provided.*

Date of Purchase: \_\_\_\_\_

Dealer: \_\_\_\_\_

Dealer Address: \_\_\_\_\_  
\_\_\_\_\_

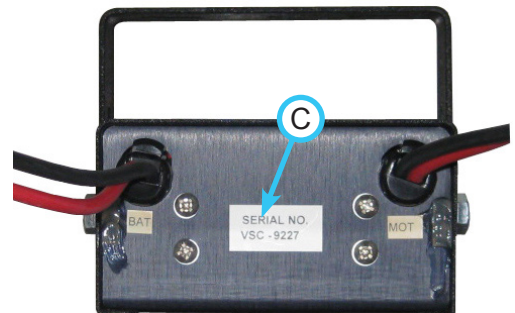
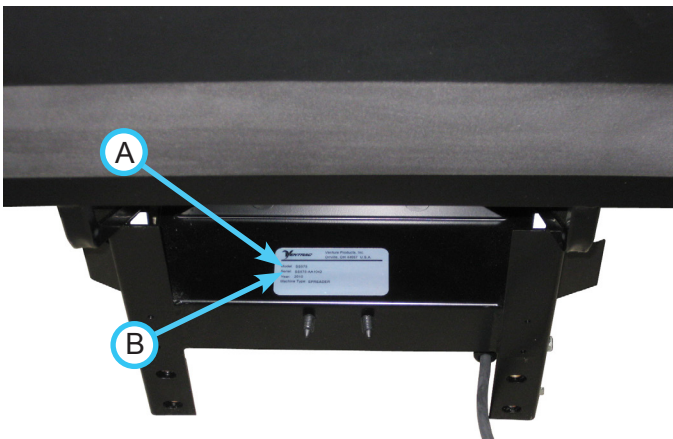
Dealer Phone Number: \_\_\_\_\_

Dealer Fax Number: \_\_\_\_\_

Spreader Model # (A) \_\_\_\_\_

Spreader Serial # (B) \_\_\_\_\_

Controller Serial # (C) \_\_\_\_\_



Venture Products Inc. reserves the right to make changes in design or specifications without obligation to make like changes on previously manufactured products.

# TABLE OF CONTENTS

<b>INTRODUCTION</b>	<b>PAGE 4</b>
Product Description.....	4
Why Do I Need an Operator's Manual? .....	4
Using Your Manual .....	5
Manual Glossary .....	5
<b>SAFETY</b>	<b>PAGE 6</b>
Safety Decals .....	6
General Safety Procedures .....	7
Training Required.....	7
Personal Protective Equipment Requirements .....	7
Operating Safely .....	7
Preventing Accidents.....	8
Keep Riders Off.....	8
Operating On Slopes.....	9
Roadway Safety .....	9
Truck Or Trailer Transport .....	9
Maintenance.....	10
Fuel Safety .....	10
Hydraulic Safety .....	11
SS575 Safety Procedures.....	12
<b>SPREADER SETUP &amp; INSTALL KITS</b>	<b>PAGE 13</b>
SS575 Install 4100/4200 Kit.....	13
SS575 Install 4500 Kit.....	19
SS575 Drop Curtain Kit.....	27
<b>GENERAL OPERATION</b>	<b>PAGE 32</b>
Daily Inspection.....	32
Spreader Loading.....	32
Spreader Operation.....	32
<b>SERVICE</b>	<b>PAGE 35</b>
Cleaning and General Maintenance.....	35
Storage.....	35
<b>TROUBLESHOOTING</b>	<b>PAGE 36</b>
Troubleshooting Chart.....	36
<b>SPECIFICATIONS</b>	<b>PAGE 37</b>
Dimensions .....	37
Features .....	37
<b>PARTS</b>	<b>PAGE 38</b>
Frame & Hopper.....	38
Spinner Drive & Gate Slide .....	40
Control & Harness .....	42
SS575 Install 4100/4200 .....	44
SS575 Install 4500 .....	46
SS575 Drop Curtain .....	48
70.8120 Vibrator Kit .....	50
<b>WARRANTY</b>	<b>PAGE 52</b>

# INTRODUCTION



Venture Products Inc. is pleased to provide you with your new Ventrac salt spreader! We hope that Ventrac equipment will provide you with a ONE Tractor Solution.

Listed below are just some of the items that can provide you *versatility* as you use your SS575 salt spreader. Please visit our web site, or contact your authorized Ventrac dealer for a complete list of items available for your new salt spreader.

Accessories	Item Description	Part Number
	4100/4200 Spreader Install Kit	70.8113
	4500 Spreader Install Kit	70.8129
	Drop Curtain Kit	70.8131
	Vibrator Kit	70.8120

## Product Description

The Ventrac SS575 salt spreader is designed to spread bagged rock salt\*, bagged ice melt products, calcium flake, or calcium pellets. An optional vibrator kit also allows the spreader to use bulk salt. The SS575 salt spreader features a 5.75 cubic foot (.163 cubic meter) volume capacity and 460 pound (209 kilogram) weight capacity. An electronic control box comes standard and features a variable electronic speed control and On/Off switch. The SS575 salt spreader is for use on 4000 series Ventrac power units only.

\*Optional vibrator kit (70.8120) may be needed, depending on the properties and condition of the rock salt.

An optional drop curtain kit is available for spreading materials in tight quarters such as sidewalks, cart paths, and more.

## Why Do I Need an Operator's Manual?

This manual has been created to help you gain the important knowledge of what is needed to safely operate, maintain, and service your machine. It is divided into sections for convenient reference of the appropriate section.

You must read and understand the operator's manual for each piece of Ventrac equipment you own. Reading the operator's manual will help you become familiar with each specific piece of equipment. Understanding the operator's manual will help you, as well as others, avoid personal injury and/or damage to the equipment. Keep this manual with the machine at all times. The manual should remain with the machine even if it is sold. If this manual becomes damaged or unreadable, it should be replaced immediately. Contact your local Ventrac dealer for a replacement.

When using a Ventrac attachment, be sure to read and follow the safety and operating instructions of both the power unit and the attachment being used to ensure the safest operation possible.

The information in this manual provides the operator with the safest procedures to operate the machine while getting the maximum use out of the unit. Failure to follow the safety precautions listed in this manual may result in personal injury and/or damage to the equipment.



# INTRODUCTION

---

## Using Your Manual

Throughout this manual, you will encounter special messages and symbols that identify potential safety concerns to help you as well as others avoid personal injury or damage to the equipment.

### SYMBOL DEFINITIONS



#### **ATTENTION**

This symbol identifies potential health and safety hazards. It marks safety precautions. Your safety and the safety of others is involved.

There are three signal words that describe the level of safety concern: Danger, Warning, and Caution. Safety should always be the #1 priority when working on or operating equipment. Accidents are more likely to occur when proper operating procedures are not followed or inexperienced operators are involved.

Note: Right-Hand and Left-Hand orientations may be referred to at different places throughout this manual. Right-Hand and Left-Hand is determined as if sitting on the power unit seat facing forward.

### SIGNAL WORD DEFINITIONS

#### **⚠ DANGER**

Indicates an imminently hazardous situation which, if not avoided, will result in death or serious injury. This signal word is limited to the most extreme cases.

#### **⚠ WARNING**

Indicates a potentially hazardous situation which, if not avoided, could result in death or serious injury.

#### **⚠ CAUTION**

Indicates a potentially hazardous situation which, if not avoided, may result in minor or moderate injury and/or property damage. It may also be used to alert against unsafe practices.

## Manual Glossary

- Power Unit** A Ventrac tractor or other Ventrac engine powered device that may be operated by itself or with an attachment or accessory.
- Attachment** A piece of Ventrac equipment that requires a Power Unit for operation.
- Accessory** A device that attaches to a Power Unit or Attachment to extend its capabilities.
- Machine** Describes any "Attachment" or "Accessory" that is used in conjunction with a power unit.

# SAFETY

## Safety Decals

The following safety decals must be maintained on your SS575 salt spreader.

Keep all safety decals legible. Remove all grease, dirt, and debris from safety decals and instructional labels. If any decals are faded, illegible, or missing, contact your dealer promptly for replacements.

When new components are installed, be sure that current safety decals are affixed to the replacement components.



**⚠ WARNING**

- Keep hands, feet, & loose clothing away from moving parts.
- Disconnect power before servicing equipment.

D6192

**⚠ WARNING**

- Read owners manual before operating equipment.
- Never remove spreader with material in hopper.

D6194

Decal	Description	Part Number	Quantity
A	Warning, Hands & Feet	07.3D6192	1
B	Warning, Read Owners Manual	07.3D6194	1

# SAFETY



## General Safety Procedures for Ventrac Power Units, Attachments, & Accessories



### Training Required

- The owner of this machine is solely responsible for properly training the operators.
- The owner/operator is solely responsible for the operation of this machine and prevention of accidents or injuries occurring to him/herself, other people, or property.
- Do not allow operation or service by children or untrained personnel. Local regulations may restrict the age of the operator.
- Before operating this machine, read the operator's manual and understand its contents.
- If the operator of the machine cannot understand this manual, then it is the responsibility of this machine's owner to fully explain the material within this manual to the operator.
- Learn and understand the use of all controls.
- Know how to stop the power unit and all attachments quickly in the event of an emergency.



### Personal Protective Equipment Requirements

It is the responsibility of the owner to be sure that the operators use the proper personal protective equipment while operating the machine. Required personal protective equipment includes, but is not limited to, the following list.



- Wear a certified ear protection device to prevent loss of hearing.
- Prevent eye injury by wearing safety glasses while operating the machine.
- Closed toe shoes must be worn at all times.
- Long pants must be worn at all times.
- When operating in dusty conditions, it is recommended that a dust mask be worn.

### Operation Safety

- Inspect machine before operation. Repair or replace any damaged, worn, or missing parts. Be sure guards and shields are in proper working condition and are secured in place. Make all necessary adjustments before operating machine.
- Some pictures in this manual may show shields or covers opened or removed in order to clearly illustrate any instructions. Under no circumstance should the machine be operated without these devices in place.
- Alterations or modifications to this machine can reduce safety and could cause damage to the machine. Do not alter safety devices or operate with shields or covers removed.
- Before each use, verify that all controls function properly and inspect all safety devices. Do not operate if controls or safety devices are not in proper working condition.
- Check parking brake function before operating. Repair or adjust parking brake if necessary.
- Observe and follow all safety decals.
- All controls are to be operated from the operator's seat only.
- Always wear a seat belt if the machine has a roll cage/bar installed and in upright position.
- Ensure the attachment or accessory is locked or fastened securely to the power unit before operating.
- Ensure that all bystanders are clear of the power unit and attachment before operating. Stop machine if someone enters your work area.
- Always be alert to what is happening around you, but do not lose focus on the task you are performing. Always look in the direction the machine is moving.
- Look behind and down before backing up to be sure of a clear path.
- If you hit an object, stop and inspect the machine. Make all necessary repairs before operating machine again.
- Stop operation immediately at any sign of equipment failure. An unusual noise can be a warning of equipment failure or a sign that maintenance is required. Make all necessary repairs before operating machine again.

# SAFETY



## General Safety Procedures for Ventrac Power Units, Attachments, & Accessories



### Operation Safety (continued)

- If equipped with a high/low range feature, never shift between high and low range while on a slope. Always move the machine to level ground and engage the parking brake before shifting range.
- Do not leave machine unattended while it is running.
- Always park the machine on level ground.
- Always shut off engine when connecting attachment drive belt to the power unit.
- Never leave the operator's seat without lowering the attachment to the ground, setting the parking brake, shutting off the engine, and removing the ignition key. Make sure all moving parts have come to a complete stop before dismounting.
- Never leave equipment unattended without lowering the attachment to the ground, setting the parking brake, shutting off the engine, and removing the ignition key.
- Only operate in well-lit conditions.
- Do not operate when there is a risk of lightning.
- Never direct the discharge of any attachment in the direction of people, buildings, animals, vehicles, or other objects of value.
- Never discharge material against a wall or obstruction. Material may ricochet back towards the operator.
- Use extra caution when approaching blind corners, shrubs, trees, or other objects that may obscure vision.
- Do not run the engine in a building without adequate ventilation.
- Do not touch the engine or the muffler while the engine is running or immediately after stopping the engine. These areas may be hot enough to cause a burn.
- Do not change the engine governor settings or over-speed the engine. Operating engine at excessive speed may increase the hazard of personal injury.
- To reduce the hazard of fire, keep the battery compartment, engine, and muffler areas free of grass, leaves, and excessive grease.

### Preventing Accidents



- Clear working area of objects that might be hit or thrown from machine.
- Keep people and pets out of mowing area.
- Know the work area well before operation. Do not operate where traction or stability is questionable.
- Reduce speed when you are operating over rough ground.
- Equipment can cause serious injury and/or death when improperly used. Before operating, know and understand the operation and safety of the power unit and the attachment being used.

- Do not operate machine if you are not in good physical and mental health, if you will be distracted by personal devices, or are under the influence of any substance which might impair decision, dexterity, or judgment.
- Children are attracted to machine activity. Be aware of children and do not allow them in the working area. Turn off the machine if a child enters the work area.

### Keep Riders Off

- Only allow the operator on the power unit. Keep riders off.
- Never allow riders on any attachment or accessory.



# SAFETY

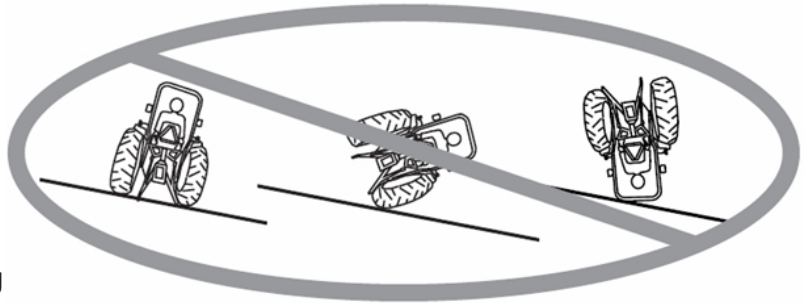


## General Safety Procedures for Ventrac Power Units, Attachments, & Accessories



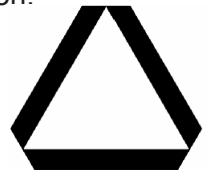
### Operating On Slopes

- Slopes can cause loss-of-control and tip-over accidents, which can result in severe injury or death. Be familiar with the emergency parking brake, along with the power unit controls and their functions.
- If power unit is equipped with a fold down roll bar, it must be locked in the upright position when operating on any slope.
- Use low range (if equipped) when operating on slopes greater than 15 degrees.
- Do not stop or start suddenly when operating on slopes.
- Never shift between high and low range while on a slope. Always move the power unit to level ground and engage the parking brake before shifting range or placing the power unit in neutral.
- Variables such as wet surface and loose ground will reduce the degree of safety. Do not drive where machine could lose traction or tip over.
- Keep alert for hidden hazards in the terrain.
- Stay away from drop-offs, ditches, and embankments.
- Sharp turns should be avoided when operating on slopes.
- Pulling loads on hills decreases safety. It is the responsibility of the owner/operator to determine loads that can safely be controlled on slopes.
- Transport machine with attachment lowered or close to the ground to improve stability.
- While operating on slopes, drive in an up and down direction when possible. If turning is necessary while driving across slopes, reduce speed and turn slowly in the downhill direction.
- Assure a sufficient supply of fuel for continuous operation. A minimum of one-half tank of fuel is recommended.



### Roadway Safety

- Operate with safety lights when operating on or near roadways.
- Obey all state and local laws concerning operation on roadways.
- Slow down and be careful of traffic when operating near or crossing roadways. Stop before crossing roads or sidewalks. Use care when approaching areas or objects that may obscure vision.
- If there is doubt of safety conditions, discontinue machine operation until a time when operation can be performed safely.
- When operating near or on roadways, have a Slow Moving Vehicle Emblem clearly displayed.



### Truck Or Trailer Transport

- Use care when loading or unloading machine into a truck or trailer.
- Use full width ramps for loading machine into a truck or trailer.
- The parking brake is not sufficient to lock the machine during transport. Always secure the power unit and/or attachment to the transporting vehicle securely using straps, chains, cable, or ropes. Both front and rear straps should be directed down and outward from the machine.
- Shut off fuel supply to power unit during transport on truck or trailer.
- If equipped, turn the battery disconnect switch to the Off position to shut off electrical power.



# SAFETY



## General Safety Procedures for Ventrac Power Units, Attachments, & Accessories



### Maintenance

- Keep all safety decals legible. Remove all grease dirt, and debris from safety decals and instructional labels.
- If any decals are faded, illegible, or missing, contact your dealer promptly for replacements.
- When new components are installed, be sure that current safety decals are affixed to the replacement components.
- If any component requires replacement, use only original Ventrac replacement parts.
- Always turn the battery disconnect to the Off position or disconnect the battery before performing any repairs. Disconnect the negative terminal first and the positive terminal last. Reconnect the positive terminal first and the negative terminal last.
- Keep all bolts, nuts, screws, and other fasteners properly tightened.
- Always lower the attachment to the ground, engage parking brake, shut off engine, and remove the ignition key. Make sure all moving parts have come to a complete stop before cleaning, inspection, adjusting or repairing.
- If the power unit, attachment, or accessory requires repairs or adjustments not instructed in the operator's manual, the power unit, attachment, or accessory must be taken to an authorized Ventrac dealer for service.
- Never perform maintenance on the power unit and/or attachment if someone is sitting in the operator's seat.
- Always use protective glasses when handling the battery.
- Check all fuel lines for tightness and wear on a regular basis. Tighten or repair them as needed.
- To reduce the hazard of fire, keep the battery compartment, engine, and muffler areas free of grass, leaves, and excessive grease.
- Do not touch the engine, the muffler, or other exhaust components while the engine is running or immediately after stopping the engine. These areas may be hot enough to cause a burn.
- Allow the engine to cool before storing and do not store near an open flame.
- Do not change the engine governor settings or over-speed the engine. Operating engine at excessive speed may increase the hazard of personal injury.
- Springs may contain stored energy. Use caution when disengaging or removing springs and/or spring loaded components.
- An obstruction or blockage in a drive system or moving/rotating parts may cause a buildup of stored energy. When the obstruction or blockage is removed, the drive system or moving/rotating parts may move suddenly. Do not attempt to remove an obstruction or blockage with your hands. Keep hands, feet, and clothing away from all power-driven parts.
- Dispose of all fluids in accordance with local laws.

### Fuel Safety



- To avoid personal injury or property damage, use extreme care in handling gasoline. Gasoline is extremely flammable and the vapors are explosive.
- Do not refuel machine while smoking or at a location near flames or sparks.
- Always refuel the machine outdoors.
- Do not store machine or fuel container indoors where fumes or fuel can reach an open flame, spark, or pilot light.
- Only store fuel in an approved container. Keep out of reach of children.
- Never fill containers inside a vehicle or on a truck or trailer bed with a plastic liner. Always place containers on the ground away from your vehicle before filling.
- Remove machine from the truck or trailer and refuel it on the ground. If this is not possible, refuel the machine using a portable container, rather than from a fuel dispenser nozzle.
- Never remove fuel cap or add fuel with the engine running. Allow engine to cool before refueling.
- Never remove fuel cap while on a slope. Only remove when parked on a level surface.
- Replace all fuel tank and container caps securely.



# SAFETY



## General Safety Procedures for Ventrac Power Units, Attachments, & Accessories



### Fuel Safety (continued)

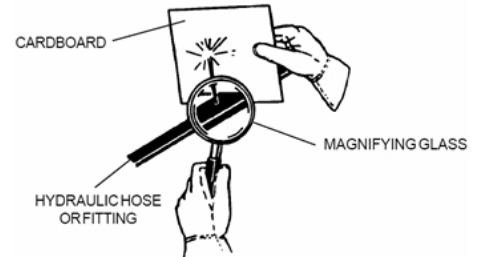
- Do not overfill fuel tank. Only fill to bottom of fuel neck, do not fill fuel neck full. Overfilling of fuel tank could result in engine flooding, fuel leakage from the tank, and/or damage to the emissions control system.
- If fuel is spilled, do not attempt to start the engine. Move the power unit away from the fuel spill and avoid creating any source of ignition until fuel vapors have dissipated.
- If the fuel tank must be drained, it should be drained outdoors into an approved container.
- Dispose of all fluids in accordance with local laws.
- Check all fuel lines for tightness and wear on a regular basis. Tighten or repair them as needed.
- The fuel system is equipped with a shut-off valve. Shut off the fuel when transporting the machine to and from the job, when parking the machine indoors, or when servicing the fuel system.

### Hydraulic Safety

- Make sure all hydraulic connections are tight and all hydraulic hoses and tubes are in good condition. Repair any leaks and replace any damaged or deteriorated hoses or tubes before starting the machine.
- Hydraulic leaks can occur under high pressure. Hydraulic leaks require special care and attention.
- Use a piece of cardboard and a magnifying glass to locate suspected hydraulic leaks.



- Keep body and hands away from pinhole leaks or nozzles that eject high pressure hydraulic fluid. Hydraulic fluid escaping under high pressure can penetrate the skin causing serious injury, leading to severe complications and/or secondary infections if left untreated. If hydraulic fluid is injected into the skin, seek immediate medical attention no matter how minor the injury appears.



- Hydraulic system may contain stored energy. Before performing maintenance or repairs on the hydraulic system, remove attachments, engage parking brake, disengage weight transfer system (if equipped), shut off engine, and remove ignition key. To relieve pressure on the auxiliary hydraulic system, shut off the power unit engine and move the secondary S.D.L.A. lever left and right before disconnecting the auxiliary hydraulic quick couplers.
- Dispose of all fluids in accordance with local laws.

# SAFETY

---



## SS575 Safety Procedures



- Spreader must be pinned and locked into position before operating power unit and spreader.
- Never exceed the recommendations in the weight capacity charts in the operation section, which specifies the material weight that can be used with different attachments. Exceeding the weight recommendation for your front attachment may result in loss of steering or front wheel traction.
- Do not operate power unit with SS575 spreader on slopes greater than 10 degrees. Operation on slopes greater than 10 degrees may result in loss of steering or front wheel traction.
- Never attempt to remove a spreader from the power unit while there is material in the spreader hopper.
- Always make sure personnel are clear of areas of danger when using equipment. Maintain 60' distance from all bystanders when operating the spreader.
- Never use with foreign debris in the spreader. The spreader is designed to handle only clean, free-flowing material.
- Before working with the spreader, secure all loose fitting clothing and unrestrained hair.
- Always wear safety glasses with side shields when servicing spreader.
- Read lead labels before attaching wire harness to power source or ground.
- Do not splice any other device into the wire harness.

# SPREADER SETUP & INSTALL KITS

## SS575 Install 4100/4200 Kit

Document Number	Kit Number / Part Number	Model	Serial Number Range
09.700131	70.8113	SS575	All Units

### ⚠ WARNING

Before making repairs or adjustments set the parking brake, turn off engine, and remove ignition key.  
Always disconnect the negative battery cable from the battery when working with electrical components. Always work in a manner that does not put safety at risk!

### ⚠ WARNING

Safety glasses must be worn during installation.  
Ear (hearing) protection must be worn when using air or power tools.

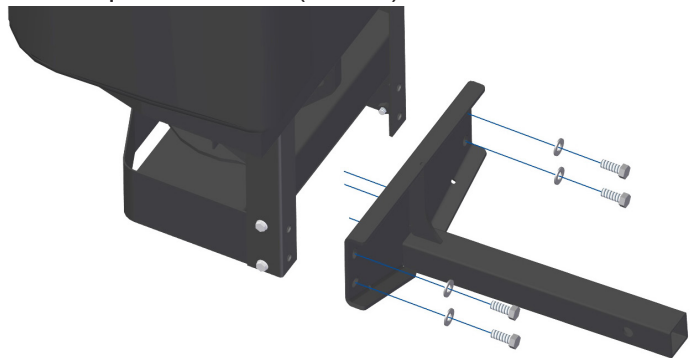
**Installation Notes:** Right and left hand orientation referred to in these instructions is determined as if sitting on the tractor seat, facing forwards.

**Installation Time (estimated)** 1 hour

**Tools Required:** 3/8" wrench 7/16" wrench\* 1/2" wrench 9/16" socket\* 3/4" socket  
 impact driver 7/32" drill bit\* drill\* phillips screwdriver side cut pliers

\*Not necessary for all setup configurations.

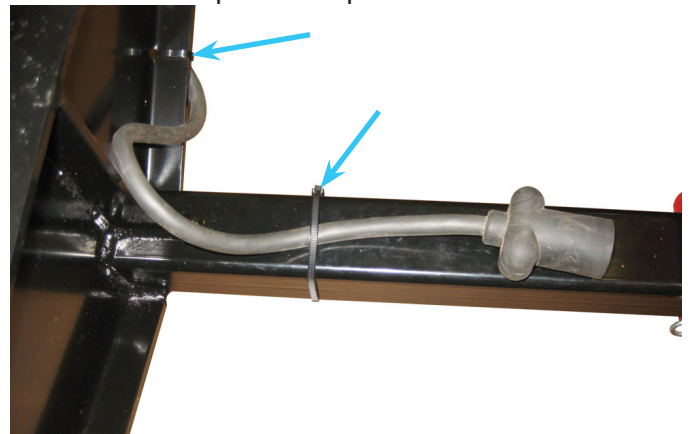
1. Disconnect the negative battery cable from the power unit's battery.
2. Remove the nut and bolt from the positive and negative battery cable clamps and replace them with 5/16" x 1-1/2" bolts and nuts. Tighten the positive clamp onto the positive battery terminal.
3. Install the fused positive wire onto the positive cable clamp bolt and fasten with a 5/16" nut.
4. Install the negative cable onto the negative terminal and tighten. Install the negative wire onto the negative cable clamp bolt and fasten with a 5/16" nut.
6. Install the spreader hitch onto the spreader using 4) 1/2" x 1-1/4" bolts and 4) 1/2" flat washers. Use Loctite 242 or equivalent thread locker on bolts. Torque to 45 ft-lbs (61 Nm).



5. Using a side cut pliers, cut both battery terminal covers at the locations shown and install onto the battery terminals.



7. Fasten the spreader's power cord to the hitch



# SPREADER SETUP & INSTALL KITS

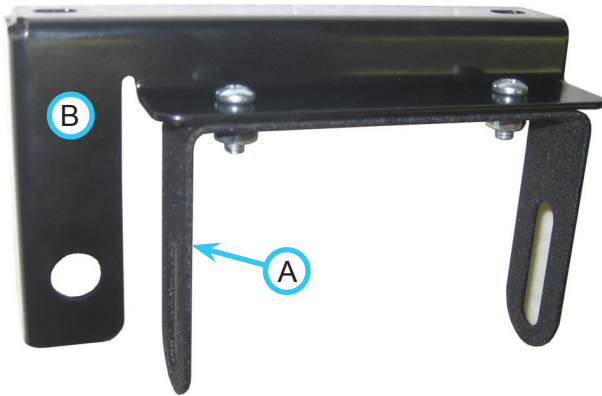
8. Insert the spreader hitch into the power unit's receiver hitch tube and fasten with a 5/8" x 3" clevis pin and a 1/8" x 2-1/2" hairpin.

## CAUTION

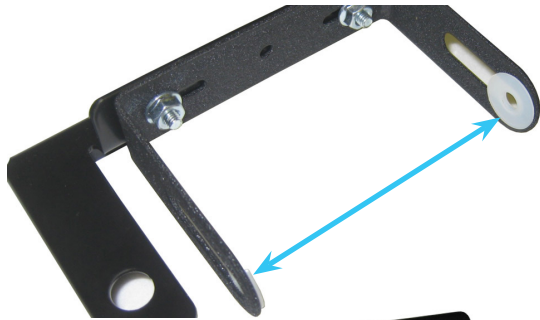
If the power unit is equipped with a 3 point hitch, adjust the lift arm links to position the lift arms in the outermost position to prevent damage to spreader if 3 point lift arms are raised accidentally.

### Control Box Setup

1. Fasten the controller bracket (A) to the control box mount bracket (B) using 2) #10-32 x 1/2" machine screws and #10-32 flange nuts.



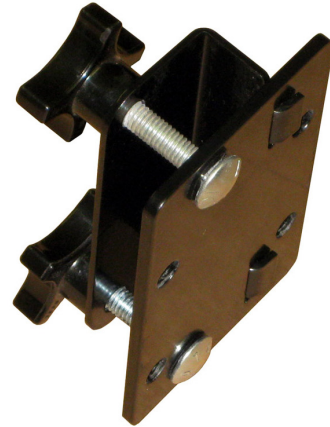
2. Place the nylon washers on the inside of the controller bracket and install onto the controller using the 1/4" bolts and flat washers. Tighten the bolts until the controller pivots with resistance.



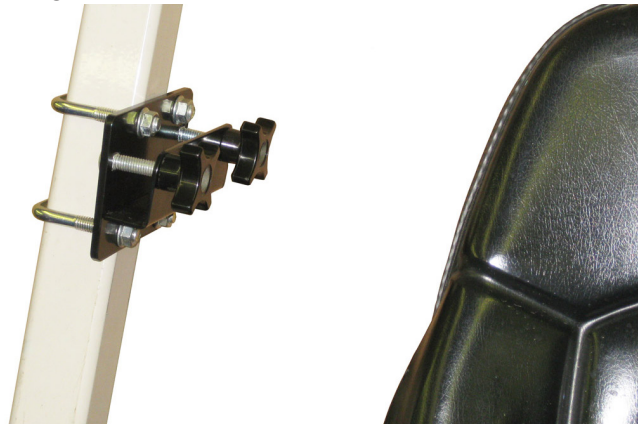
### Power Unit Without Cab

(If power unit is equipped with cab, skip to next section)

1. Insert the tabs of the frame clamp bracket into the slots of the frame mount bracket and fasten with 3/8" x 2" carriage bolts and knobs.



2. Place the frame mount bracket against the inside of the right leg of the roll bar. Position the bottom edge of the frame mount bracket 24 -25 inches from the bottom of the roll bar and install 2) u-bolts and 4) locking flange nuts. Torque the flange nuts to 31 ft-lbs (42 Nm).



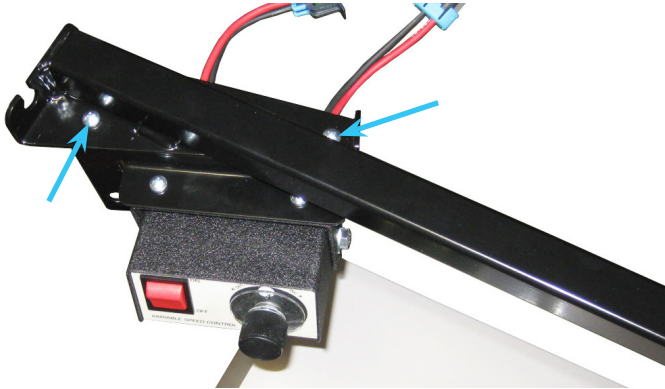
3. Insert the arm of the control box mount into the frame clamp bracket.



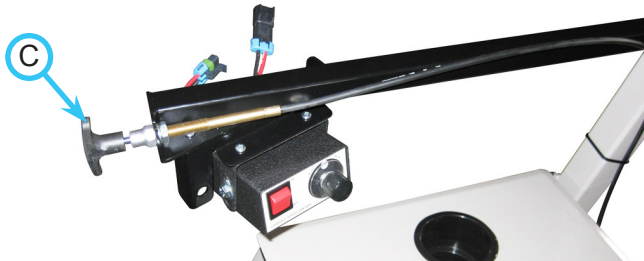


# SPREADER SETUP & INSTALL KITS

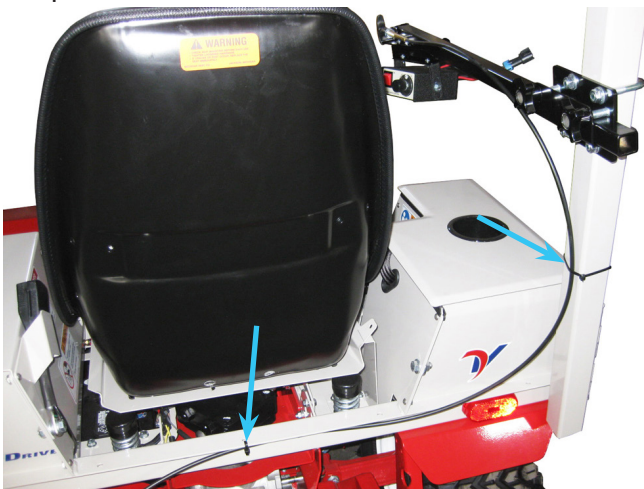
4. Install the spreader control box bracket onto the control box mount using 2) #10-32 x 1/2" machine screws and #10-32 flange nuts.



5. Fully extend the control box mount arm and tighten the knobs to clamp the control box mount in place.
6. Route the gate cable along the back of the power unit seat box and up the inside of the right rollbar. Install the gate control cable (C) and handle onto the control box mount.

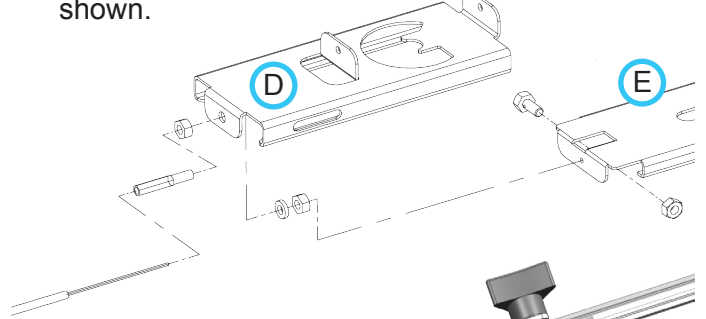


7. Use Velcro ties to fasten the gate cable to the roll bar 2-3" above the power unit fender and to the power unit seat box.

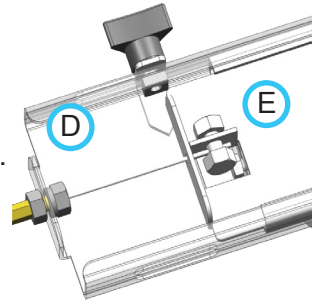


8. **If gate cable is already mounted to the spreader, skip to step # 12.** Pull the gate cable handle out 3" and determine the length of cable needed to reach the gate body. NOTE: before cutting the cable to length, check to ensure that there is enough slack in the cable to allow the control cable to slide freely in the cable housing.

9. Cut off the cable at the desired length and then push the gate cable handle back into the cable housing. Slide the brass cable fitting onto the gate cable and thread onto the cable housing.
10. Install the cable fitting onto the gate body (D) as shown.



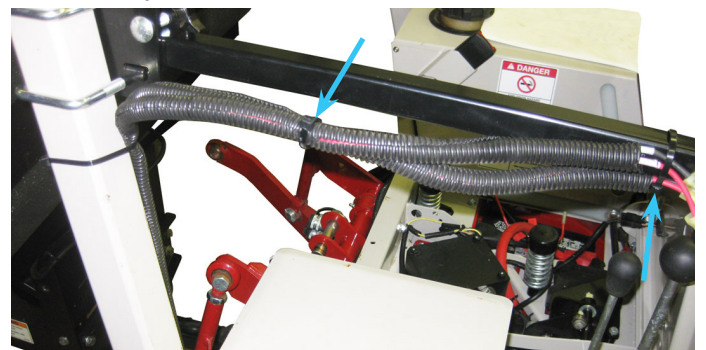
11. Insert the cable end into the gate slide (E) and through the hole in the bolt. Ensure the gate slide is in the closed position and tighten the bolt to secure the gate cable.



12. Connect the battery/controller wire harness to the positive and negative wires connected to the power unit battery. Connect the harness to the battery lead on the spreader controller.



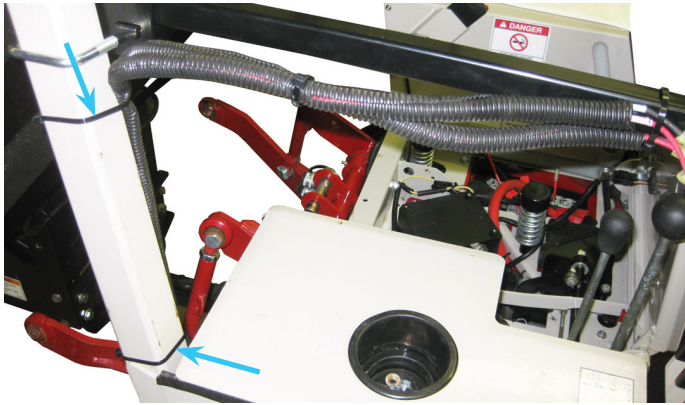
13. Connect the motor/controller wire harness to the motor lead on the spreader controller. Connect the harness to the power cord on the spreader. NOTE: if the power unit is equipped with a 3 point hitch, route the harness down between the power unit seat box and the pivot shaft on the 3 point hitch before connecting to the spreader's power cord.
14. Use Velcro ties to fasten both wire harnesses to the arm of the control box mount just behind the controller and also to fasten the harnesses together, but not to the control box arm, about halfway back to the roll bar.



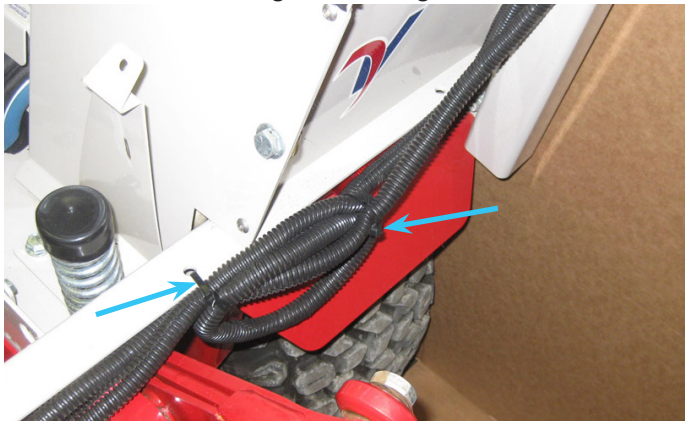


# SPREADER SETUP & INSTALL KITS

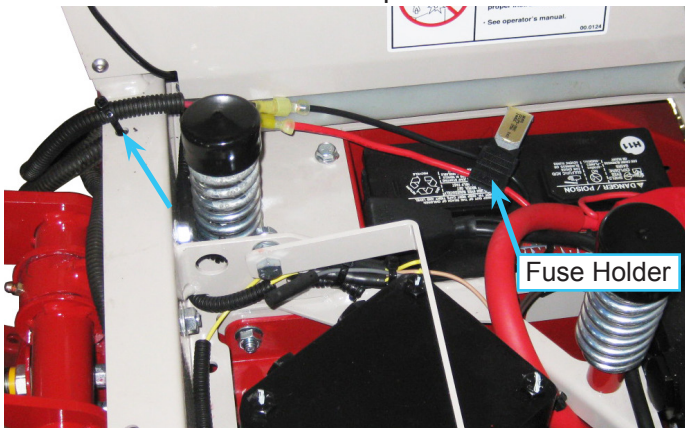
15. Leave a small amount of slack in the wire harnesses and use Velcro ties to fasten the harnesses to the roll bar just below the frame mount bracket and right above the power unit fender as shown above.



16. Coil the extra wire of the motor/controller harness at the corner of the right fender and use a Velcro tie to fasten both harnesses to the power unit seat box. Fasten the coils of the motor/controller harness together using a Velcro tie.



17. Coil the extra wire of the battery/controller harness at the corner of the left fender and use a Velcro tie to fasten to the power unit seat box.

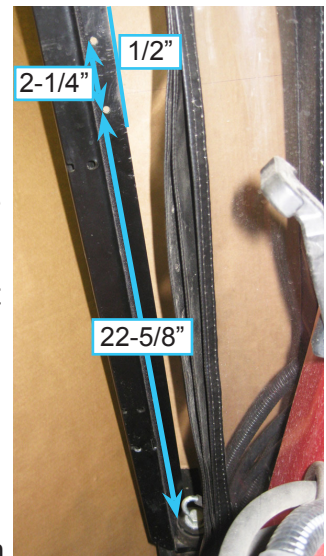


18. Install the circuit breaker into the fuse holder of the positive wire as shown above. Installation is complete.

## Power Unit With KW350 Cab

1. Remove the tunnel cover from the lower rear frame of the power unit.

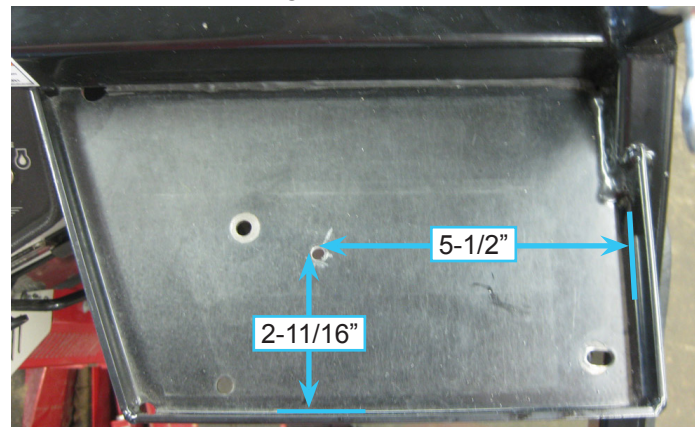
2. On KW350 cabs with serial numbers 1001-1060, mounting holes must be drilled in the right front cab post. Unfasten the velcro from the pleated canvas and move out of the way. Mark the post 22-5/8" up from the post mounting plate and 1/2" in from edge of flange. Mark the second hole 2-1/4" up from the first hole. Drill the mounting holes using a 7/32" drill bit, remove any metal shavings, and use touch up paint on exposed metal. Reinstall the pleated canvas onto the cab post.



3. Install the gate cable mount bracket on the back of the right front cab post flange using 2) #10-32 x 1/2" machine screws and flange nuts.



4. On KW350 cabs with serial numbers 1001-1060, a mounting hole must be drilled in the dash tray of the bottom windshield mount. Measure 2-11/16" in from the inside of the rear lip and 5-1/2" in from the inside of the right lip.

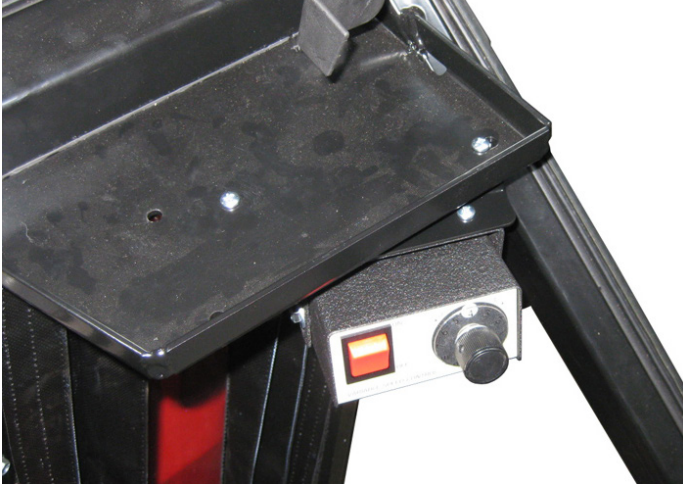




## SPREADER SETUP & INSTALL KITS

Drill the mounting hole using a 7/32" drill bit, remove any metal shavings, and use touch up paint on exposed metal.

5. Install the spreader control box bracket onto the bottom of the tray using 2) #10-32 x 1/2" machine screws and #10-32 flange nuts.



6. Connect the battery/controller wire harness to the battery lead on the spreader controller and connect the motor/controller wire harness to the motor lead on the spreader controller.



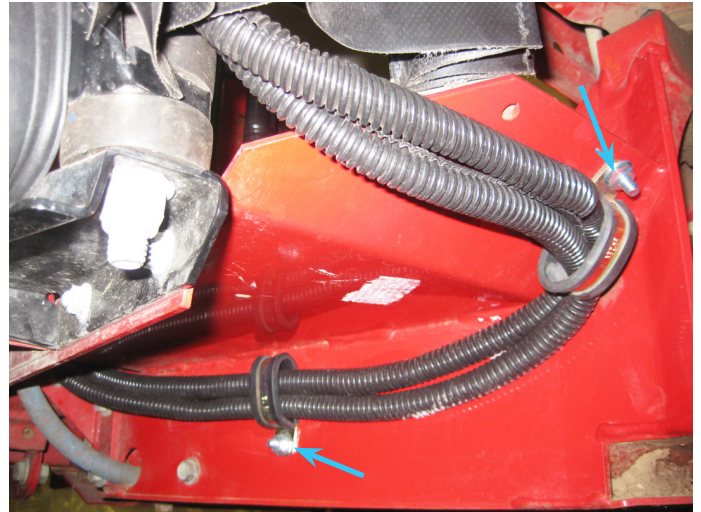
7. Route the wire harnesses down along the cab post and fasten to the gate cable mount bracket using a Velcro tie (F).
8. Route the wire harnesses under the foot plate and hydraulic filter, over the axle housing, and out the back of the power unit.



9. Route the gate control cable along the same path as the wire harnesses and install the gate control cable (G) and handle onto the gate cable mount bracket.



10. Fasten the wire harnesses and the gate control cable (if equipped) underneath the foot plate and to the side of the lower rear frame tunnel using 2) cushioned clamps and 1/4" x 3/4" flange bolts and flange nuts.



11. Insert the battery/controller wire harness between the power unit seat box and canvas window of the cab and connect to the positive and negative wires connected to the power unit battery and fasten to the cab wire harness using a Velcro tie.



12. Connect the harness to the power cord on the spreader. NOTE: if the power unit is equipped with a 3 point hitch, route the harness through the hitch frame under the pivot shaft before connecting to the spreader's power cord.
13. Coil the extra wire from the battery/controller and motor/controller wire harnesses at the back of the power unit and fasten to the hitch frame upper

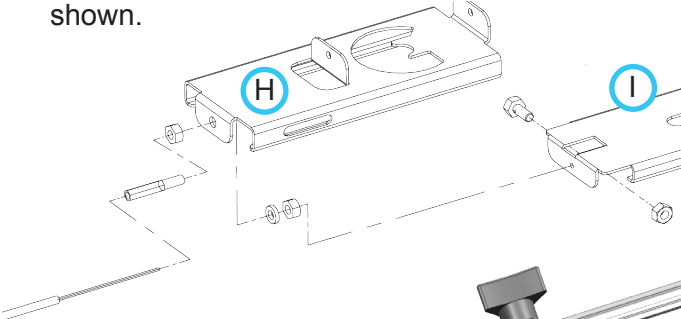


# SPREADER SETUP & INSTALL KITS

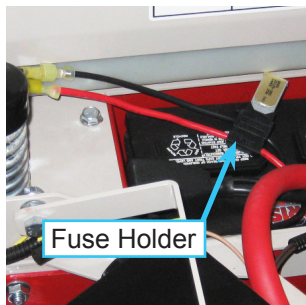
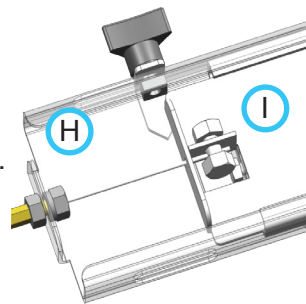
anchor bracket using a Velcro tie.



14. If gate cable is already mounted to the spreader, skip to step # 18.) Pull the gate cable handle out 3" and determine the length of cable needed to reach the gate body. NOTE: before cutting the cable to length, check to ensure that there is enough slack in the cable to allow the control cable to slide freely in the cable housing.
15. Cut off the cable at the desired length and then push the gate cable handle back into the cable housing. Slide the brass cable fitting onto the gate cable and thread onto the cable housing.
16. Install the cable fitting onto the gate body (H) as shown.



17. Insert the cable end into the gate slide (I) and through the hole in the bolt. Ensure the gate slide is in the closed position and tighten the bolt to secure the gate cable.
  18. Install the circuit breaker into the fuse holder of the positive wire as shown above.
  19. Reinstall the power unit's tunnel cover.
- Installation is complete.

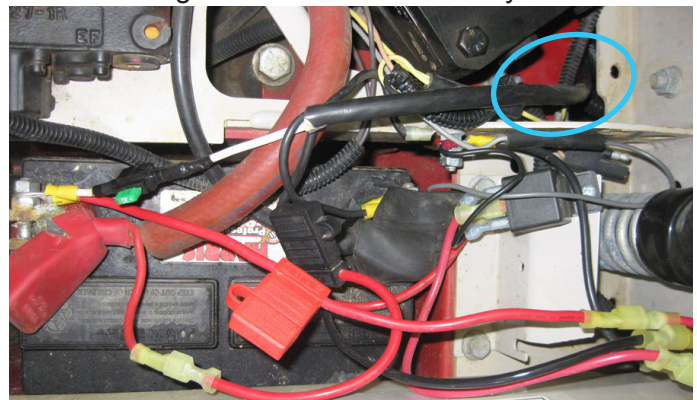


## Vibrator Installation (Power Unit without Cab)

1. Install the switch on the controller bracket as directed by the vibrator kit instructions.
2. Install the vibrator unit on the spreader hopper as directed by the vibrator kit instructions.
3. Connect the vibrator wire harness to the switch and route wire harness along the same path as the spreader wire harnesses.
4. Connect the wire harness plug to the plug on the vibrator unit.
5. Connect the positive wire of the battery harness to the positive terminal of the power unit battery.
6. Connect the negative wire of the battery harness to the negative terminal of the power unit battery.
7. Use zip ties to fasten the vibrator wire harness to the control box mount arm, the power unit roll bar, and the power unit seat box.

## Vibrator Installation (Power Unit with KW350 Cab)

1. Install the switch on the controller bracket as directed by the vibrator kit instructions.
2. Install the vibrator unit on the spreader hopper as directed by the vibrator kit instructions.
3. Connect the vibrator wire harness to the switch and route wire harness along the same path as the spreader wire harnesses. Install the vibrator wire harness into the cushioned metal clamps under the power unit foot plate that contain the spreader wire harnesses.
4. Connect the wire harness plug to the plug on the vibrator unit.
5. Route the vibrator battery harness up between the seat box and the hitch frame upper anchor bracket and through the cutout for the rear hydraulic motor.



6. Connect the positive wire of the battery harness to the positive terminal of the power unit battery.
7. Connect the negative wire of the battery harness to the negative terminal of the power unit battery.
8. Use zip ties to fasten the vibrator wire harness to the cab post inside the cab and to the hitch frame upper anchor bracket.

# SPREADER SETUP & INSTALL KITS

## SS575 Install 4500 Kit

Document Number	Kit Number / Part Number	Model	Serial Number Range
09.700169	70.8129	SS575	All Units

### ⚠ WARNING

Before making repairs or adjustments set the parking brake, turn off engine, and remove ignition key.  
Always disconnect the negative battery cable from the battery when working with electrical components. Always work in a manner that does not put safety at risk!

### ⚠ WARNING

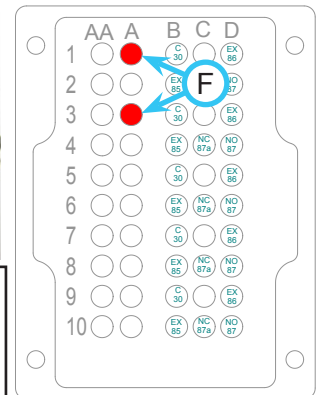
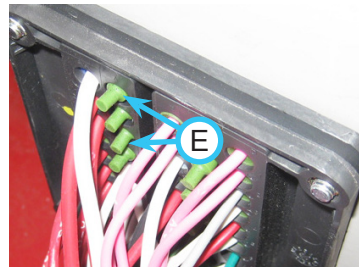
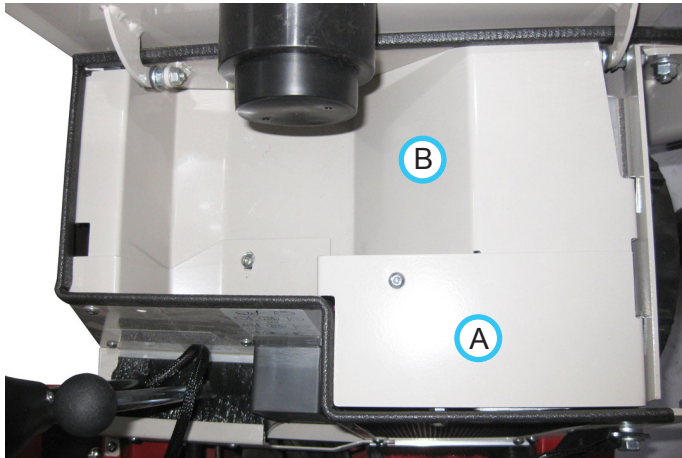
Safety glasses must be worn during installation.  
Ear (hearing) protection must be worn when us-

**Installation Notes:** Right and left hand orientation referred to in these instructions is determined as if sitting on the tractor seat, facing forwards.

**Installation Time (estimated)** 1 hour

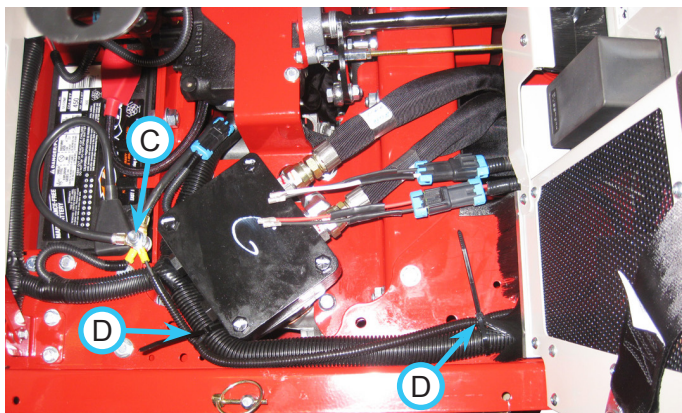
**Tools Required:** 3/8" wrench 7/16" wrench\* 9/16" socket\* 3/4" socket impact driver  
5/32" hex wrench\* Phillips screwdriver\* side cut pliers \*Not necessary for all setup configurations.

1. Disconnect the negative battery cable from the power unit's battery.
2. Open the toolbox lid and remove the left (A) and right (B) toolbox liner panels.
4. Route the red and white wires with terminals into the toolbox area.
5. Use a needle nose pliers to remove the green plugs (E) from positions A1 and A3 (F - red high-lighted positions) on the rear fuse panel.



NOTE: Both the picture and the sketch are shown from the rear of the fuse panel inside the toolbox.

3. Place the wire adapter harness in the power units seat box area. Route the ground wire with the ring terminal along the main harness and connect to the ground stud (C). Use zip ties (D) to fasten the wire to the main harness.

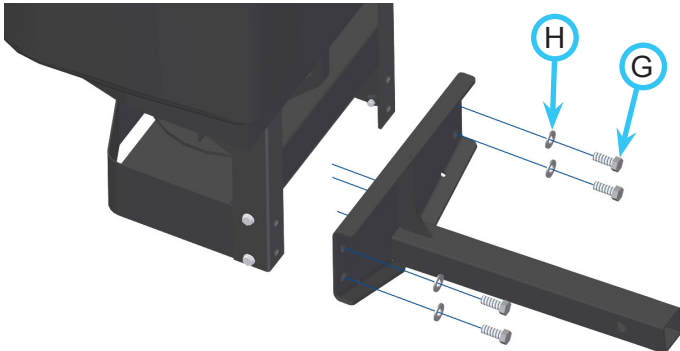


6. Install the terminal on the red wire into position A1 in the fuse panel. Install the terminal on the white wire into position A3 in the fuse panel. NOTE: the terminal can only be installed one way. Orient the terminal with the hole pointing up and insert into the fuse panel. The terminal needs to snap into place. If necessary, use a needle nose pliers to push the terminal in, being careful not to damage the wire insulation. Double check the connection by tugging gently on the wire with your hand.
7. Reinstall the left and right toolbox liner panels.

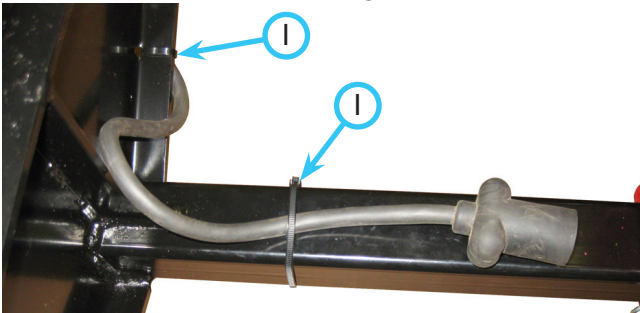


# SPREADER SETUP & INSTALL KITS

8. Install the spreader hitch onto the spreader using 4) 1/2" x 1-1/4" bolts (G) and 4) 1/2" flat washers (H). Use Loctite 242 or equivalent thread locker on bolts. Torque to 45 ft-lbs (61 Nm).



9. Fasten the spreader's power cord to the hitch frame at two places using zip ties (I).



10. Insert the spreader hitch into the power unit's receiver hitch tube and fasten with a 5/8" x 3" clevis pin and a 1/8" x 2-1/2" hairpin.

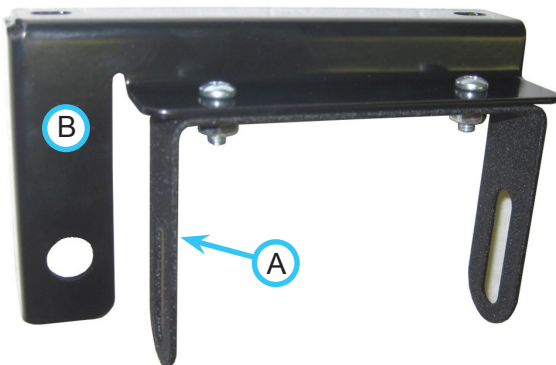
## CAUTION

If the power unit is equipped with a 3 point hitch, adjust the lift arm links to position the lift arms in the outermost position to prevent damage to spreader if 3 point lift arms are raised accidentally.

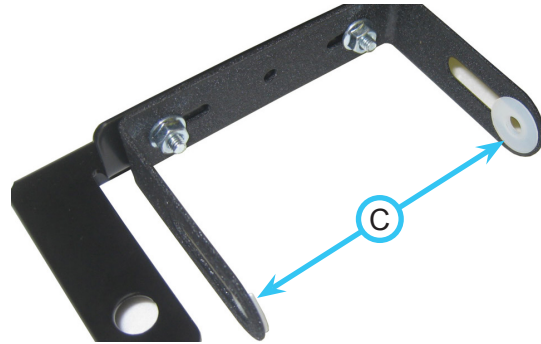
### Installation (Power Unit without Cab)

(If power unit is equipped with cab, skip to next section)

1. Fasten the controller bracket (A) to the control box mount bracket (B) using 2) #10-32 x 1/2" machine screws and #10-32 flange nuts.



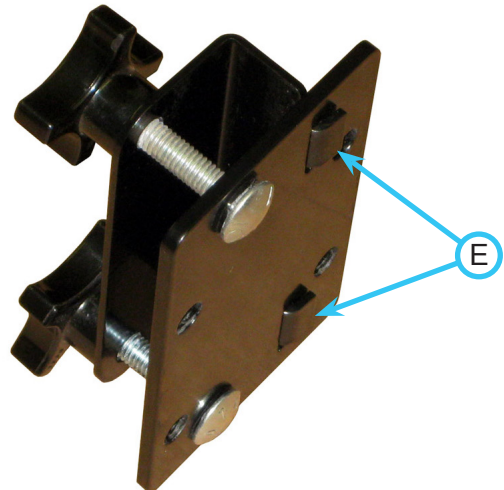
2. Place the nylon washers (C) on the inside of the controller bracket.



3. Install the controller bracket onto the controller using the 1/4" bolts (D) and flat washers. Tighten the bolts until the controller pivots with resistance.

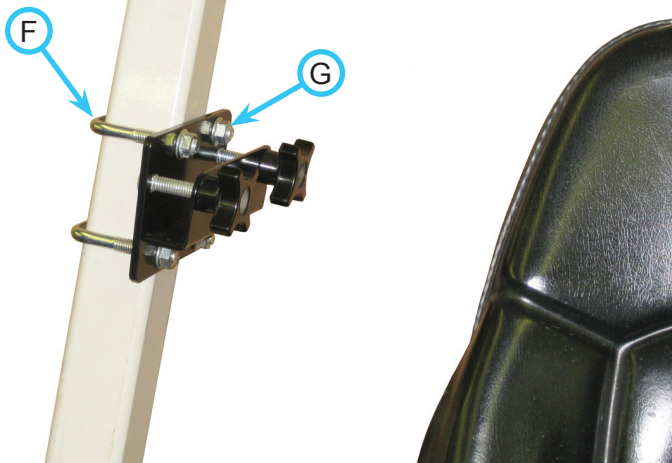


4. Insert the tabs (E) of the frame clamp bracket into the slots of the frame mount bracket and fasten with 3/8"x 2" carriage bolts and knobs.

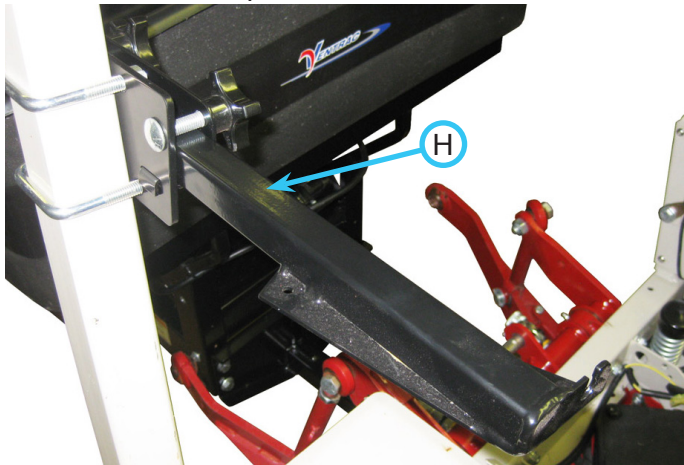


# SPREADER SETUP & INSTALL KITS

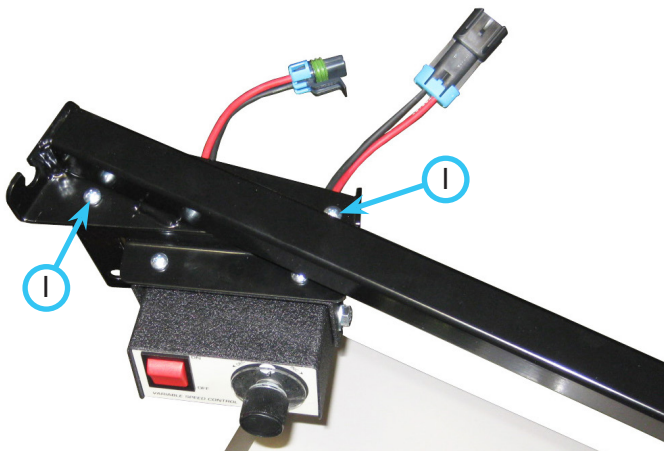
- Place the frame mount bracket against the inside of the right leg of the roll bar. Position the bottom edge of the frame mount bracket 24 -25 inches from the bottom of the roll bar and install 2) u-bolts (F) and 4) locking flange nuts (G). Torque the flange nuts to 31 ft-lbs (42 Nm).



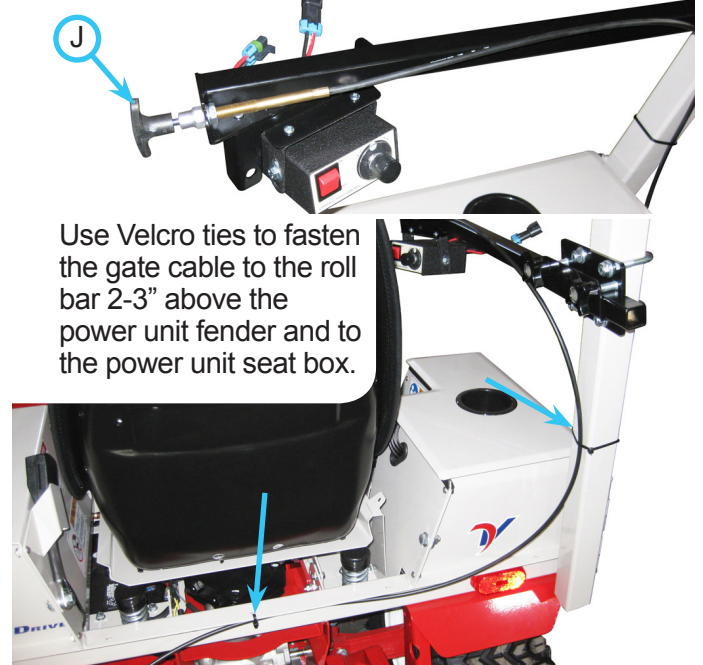
- Insert the arm (H) of the control box mount into the frame clamp bracket.



- Install the spreader control box bracket onto the control box mount using 2) #10-32 x 1/2" machine screws (I) and #10-32 flange nuts.



- Fully extend the control box mount arm and tighten the knobs to clamp the control box mount in place.
- Route the gate cable along the back of the power unit seat box and up the inside of the right roll bar. Install the gate control cable (J) and handle onto the control box mount.

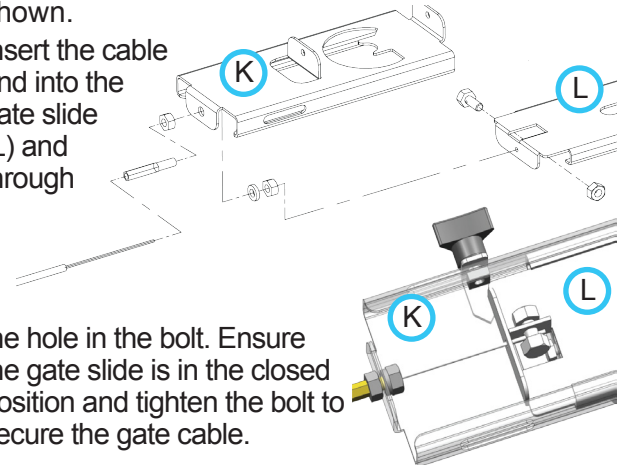


- If gate cable is already mounted to the spreader, skip to step # 15. Pull the gate cable handle out 3" and determine the length of cable needed to reach the gate body. NOTE: before cutting the cable to length, check to ensure that there is enough slack in the cable to allow the control cable to slide freely in the cable housing.

- Cut off the cable at the desired length and then push the gate cable handle back into the cable housing. Slide the brass cable fitting onto the gate cable and thread onto the cable housing.

- Install the cable fitting onto the gate body (K) as shown.

- Insert the cable end into the gate slide (L) and through

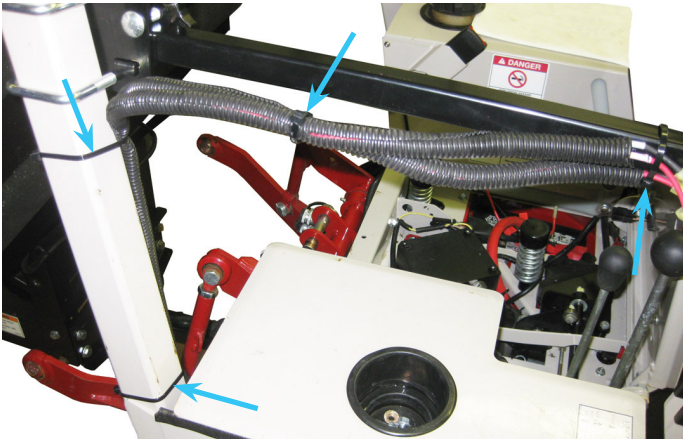


the hole in the bolt. Ensure the gate slide is in the closed position and tighten the bolt to secure the gate cable.



## SPREADER SETUP & INSTALL KITS

15. Connect the battery/controller wire harness and the motor/controller wire harness to the spreader controller and route the harnesses back along the control box mount arm and down along the roll bar.
16. Use Velcro ties to fasten both wire harnesses to the arm of the control box mount just behind the controller and also to fasten the harnesses together, but not to the control box arm, about halfway back to the roll bar.

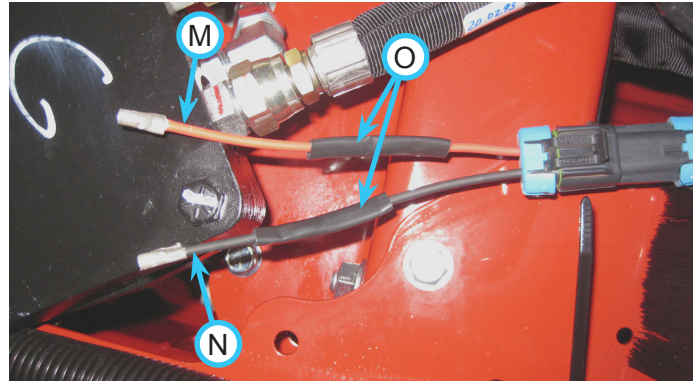


17. Leave a small amount of slack in the wire harnesses and use Velcro ties to fasten the harnesses to the roll bar just below the frame mount bracket and right above the power unit fender as shown above.
18. Connect the motor/controller harness to the power cord on the spreader and coil the extra wire at the corner of the right fender. Use a Velcro tie to fasten both harnesses to the power unit seat box. Fasten the coils of the motor/controller harness together using a Velcro tie.



19. Cut the push-on connectors off the end of the battery/controller wire harness and strip 1/4" of insulation off the end of each wire.
20. Locate the adapter harness plug with red and black wires. Insert the red wire from the battery/controller harness into the butt connector on the red wire (M) from the adapter harness and crimp in place. Insert the black wire from the battery/controller harness

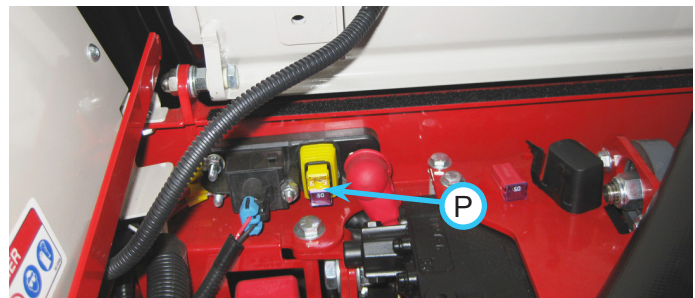
into the butt connector on the black wire (N) from the adapter harness and crimp in place.



21. Slide the heat shrink tube (O) over the butt connectors and use a heat gun to shrink in place.
22. If the spreader is being used without a vibrator, fold the white and black wire with butt connectors back along the connector and harness and tape in place.
23. Coil the extra wire of the battery/controller harness inside the seat box area and use a Velcro tie to fasten the coils together.



24. Install the 25 amp circuit breaker into slot 1 of the rear fuse panel and the 10 amp fuse into slot 3 of the rear fuse panel.
25. Remove the cover from the power relay module and replace both J-case fuses (P) with the supplied 60 amp J-case fuses.



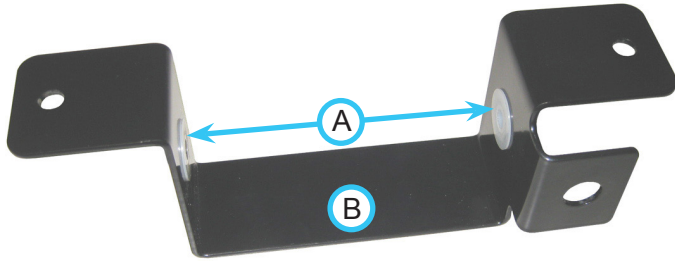
26. Connect the negative battery cable to the battery.
  27. Use the #10-32 x 1-1/2" screw and flange nut to attach the tether on the spreader's power cord cap to the plug on the power cord.
- Installation is complete.



# SPREADER SETUP & INSTALL KITS

## Installation (Power Unit with KW450 Cab)

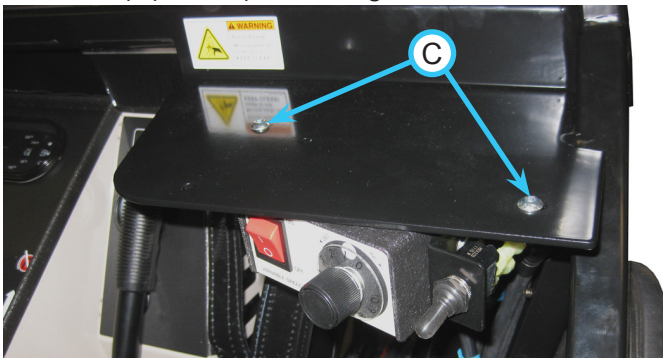
1. Place the nylon washers (A) on the inside of the controller bracket (B).



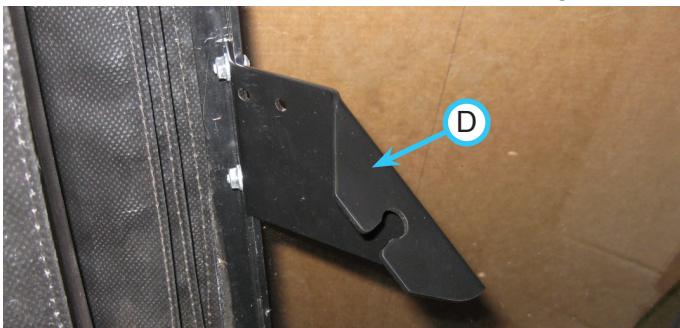
2. Install the controller bracket onto the controller using the 1/4" bolts (C) and flat washers. Tighten the bolts until the controller pivots with resistance.



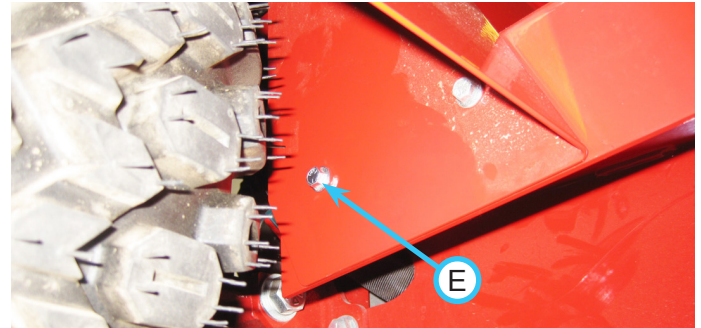
3. Install the controller bracket onto the bottom of the dash plate using 2) 1/4" x 1/2" button head bolts (C) and 2) 1/4" flange nuts.



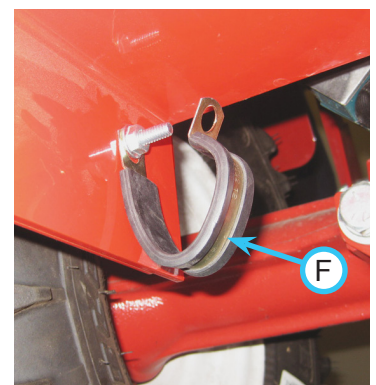
4. Install the gate cable mount bracket (D) on the back of the right front cab post flange using 2) #10-32 x 1/2" machine screws and flange nuts.



5. Remove the rear bolt (E) that fastens the right rear fender panel to the foot platform.



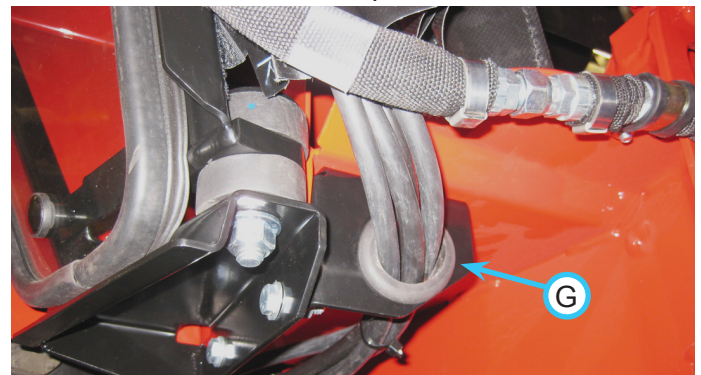
6. Install the included 1/4" x 1" flange bolt through the hole, place one flange of the cushioned metal clamp (F) onto the bolt, and fasten with a 1/4" flange nut.



7. Route the battery/controller harness and the motor/controller harness down through the seat box frame, following the hydraulic drive hoses.



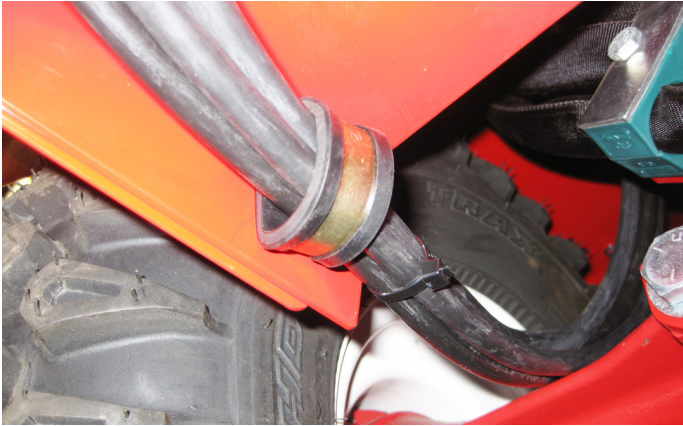
8. Route the hoses forward under the foot platform and through the grommet in the support bracket (G) under the front of the foot platform.



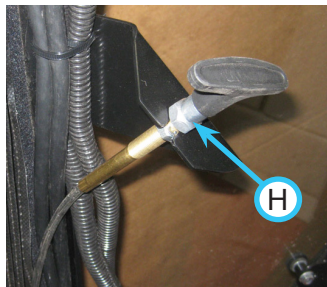


## SPREADER SETUP & INSTALL KITS

9. Place the harnesses into the cushioned metal clamp, install the second flange onto the bolt, and fasten with a 1/4" flange nut.



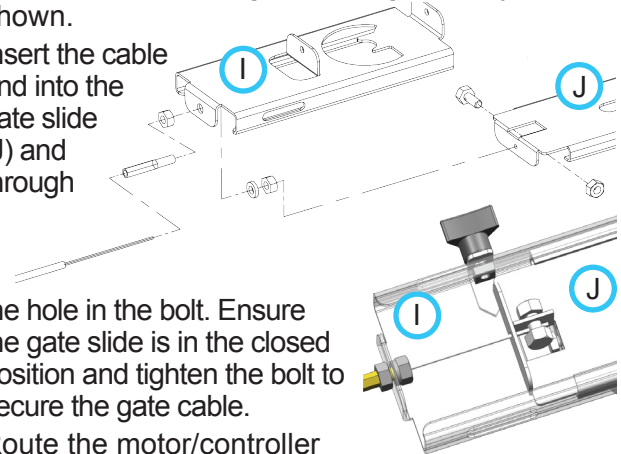
10. Route the harnesses up over the front of the foot platform and up along the cab post.
11. Connect the wire harnesses to the connectors on the back of the spreader controller.
12. Fasten the harnesses to the cab post at 2) places using Velcro ties.
13. Pull any slack in the harnesses back up through the seat box frame.
14. Route the gate control cable in front of the spreader, forward between the rear hitch and the right wheel above the axle, and then follow the spreader wire harnesses under the foot platform and up along the cab post. Install the gate control cable and handle (H) onto the gate cable mount bracket.



15. Fasten the gate cable to the cushioned metal clamp under the foot platform using a Velcro tie.
16. **If gate cable is already mounted to the spreader, skip to step # 20.** Pull the gate cable handle out 3" and determine the length of cable needed to reach the gate body. NOTE: before cutting the cable to length, check to ensure that there is enough slack in the cable to allow the control cable to slide freely in the cable housing.
17. Cut off the cable at the desired length and then push the gate cable handle back into the cable housing. Slide the brass cable fitting onto the gate cable and thread onto the cable housing.

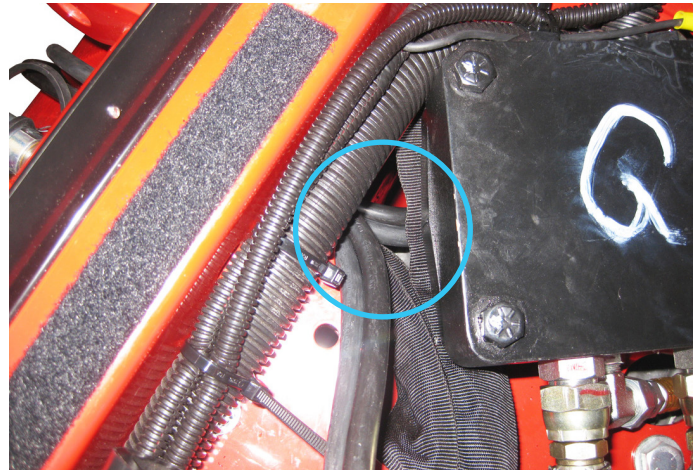
18. Install the cable fitting onto the gate body (I) as shown.

19. Insert the cable end into the gate slide (J) and through

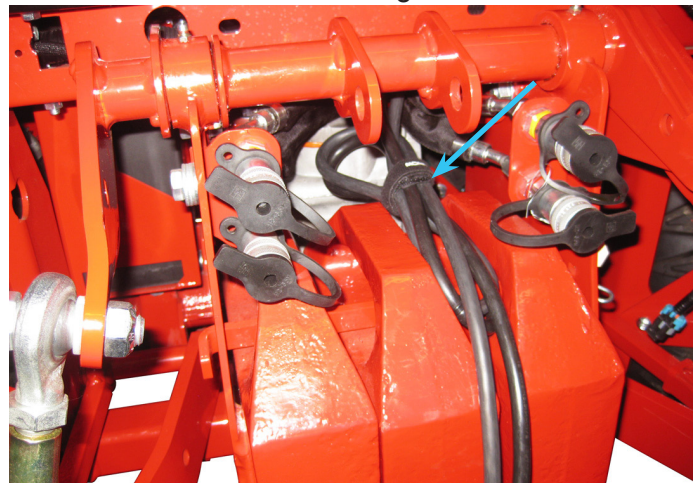


the hole in the bolt. Ensure the gate slide is in the closed position and tighten the bolt to secure the gate cable.

20. Route the motor/controller harness down through the seat box frame behind the rear hydraulic motor and out through the rear hitch.



21. Connect the motor/controller harness to the plug on the spreader, coil up the extra wire in the rear hitch area, and fasten the coils together with a Velcro tie.

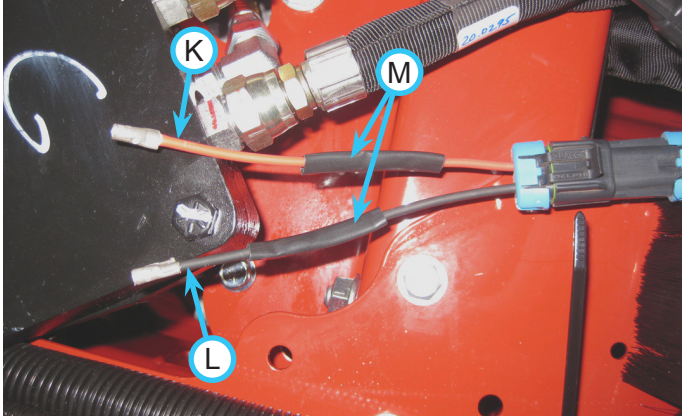


22. Cut the push-on connectors off the end of the battery/controller wire harness and strip 1/4" of insulation off the end of each wire.



## SPREADER SETUP & INSTALL KITS

23. Locate the adapter harness plug with red and black wires. Insert the red wire from the battery/controller harness into the butt connector on the red wire (K) from the adapter harness and crimp in place. Insert the black wire from the battery/controller harness into the butt connector on the black wire (L) from the adapter harness and crimp in place.

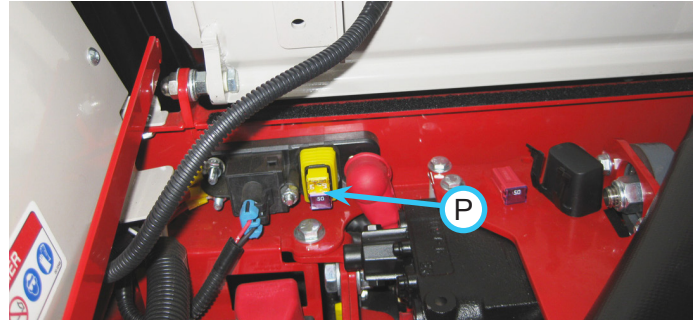


24. Slide the heat shrink tube (M) over the butt connectors and use a heat gun to shrink in place.
25. If the spreader is being used without a vibrator, fold the white and black wire with butt connectors back along the connector and harness and tape in place.
26. Coil the extra wire of the battery/controller harness inside the seat box area and use a Velcro tie to fasten the coils together.



27. Install the 25 amp circuit breaker into slot 1 of the rear fuse panel and the 10 amp fuse into slot 3 of the rear fuse panel.

28. Remove the cover from the power relay module and replace both J-case fuses (P) with the supplied 60 amp J-case fuses.

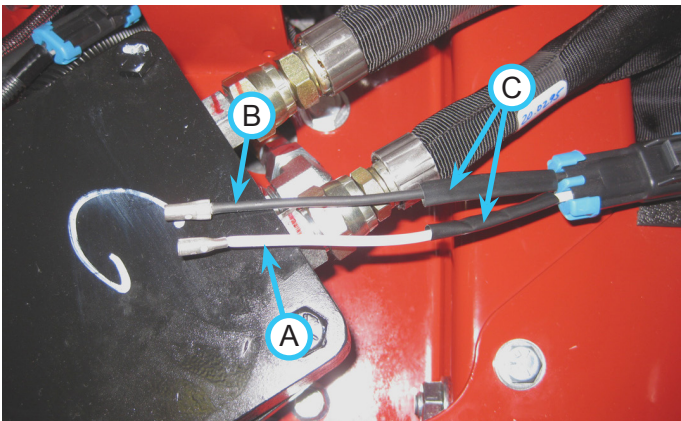


29. Connect the negative battery cable to the battery.
30. Use the #10-32 x 1-1/2" screw and flange nut to attach the tether on the spreader's power cord cap to the plug on the power cord.
31. Check the gate cable to ensure it does contact sharp edges or moving parts. Use Velcro ties to fasten away from sharp edges or moving parts.
- Installation is complete.

# SPREADER SETUP & INSTALL KITS

## Vibrator Installation (Power Unit without Cab)

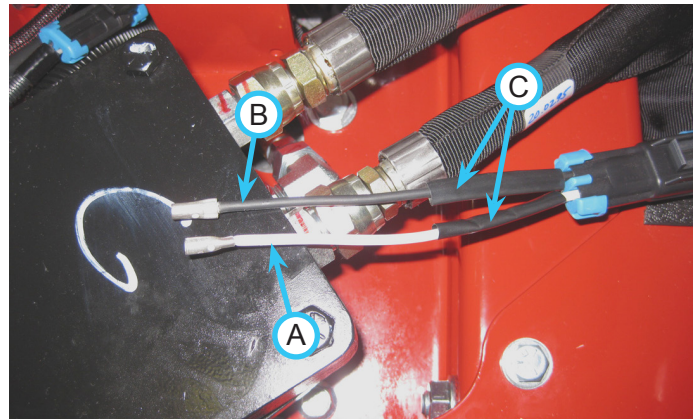
1. Install the switch on the controller bracket as directed by the vibrator kit instructions.
2. Install the vibrator unit on the spreader hopper as directed by the vibrator kit instructions.
3. Connect the vibrator wire harness to the switch and route wire harness along the same path as the spreader wire harnesses.
4. Connect the wire harness plug to the plug on the vibrator unit.
5. Cut the terminals off the end of the battery harness and strip 1/4" of insulation off the end of each wire.
6. In the power unit's seat box area, locate the adapter harness plug with white and black wires. Insert the red wire from the battery harness into the butt connector on the white wire (A) from the adapter harness and crimp in place. Insert the black wire from the battery harness into the butt connector on the black wire (B) from the adapter harness and crimp in place.



7. Slide the heat shrink tube (C) over the butt connectors and use a heat gun to shrink in place.
8. Loosen the Velcro ties that fasten the spreader harness in place, include the vibrator harness, and retighten the Velcro ties.
9. Loosen the Velcro ties that fasten the coils of spreader wire, coil up any excess vibrator wire at these points, and reinstall the Velcro ties.

## Vibrator Installation (Power Unit with KW450 Cab)

1. Install the switch on the controller bracket as directed by the vibrator kit instructions.
2. Install the vibrator unit on the spreader hopper as directed by the vibrator kit instructions.
3. Connect the vibrator wire harness to the switch and route wire harness along the same path as the spreader wire harnesses. Route the vibrator wire harness through the grommet in the mount support and the cushioned metal clamp under the foot platform that contain the spreader wire harnesses.
4. Connect the wire harness plug to the plug on the vibrator unit.
5. Cut the terminals off the end of the battery harness and strip 1/4" of insulation off the end of each wire.
6. In the power unit's seat box area, locate the adapter harness plug with white and black wires. Insert the red wire from the battery harness into the butt connector on the white wire (A) from the adapter harness and crimp in place. Insert the black wire from the battery harness into the butt connector on the black wire (B) from the adapter harness and crimp in place.



7. Slide the heat shrink tube (C) over the butt connectors and use a heat gun to shrink in place.
8. Loosen the Velcro ties that fasten the spreader harness in place, include the vibrator harness, and retighten the Velcro ties.
9. Loosen the Velcro ties that fasten the coils of spreader wire, coil up any excess vibrator wire at these points, and reinstall the Velcro ties.

# SPREADER SETUP & INSTALL KITS

## SS575 Drop Curtain Kit

### ⚠ WARNING

Before making repairs or adjustments set the parking brake, turn off engine, and remove ignition key.  
Always disconnect the negative battery cable from the battery when working with electrical components. Always work in a manner that does not put safety at risk!

### ⚠ WARNING

Safety glasses must be worn during installation.  
Ear (hearing) protection must be worn when using air or power tools.

**Installation Notes:** Right and left hand orientation referred to in these instructions is determined as if sitting on the tractor seat, facing forwards.

**Installation Time (estimated)** 30 minutes

**Tools Required:** 7/16" wrench & socket  
9/16" wrench & socket utility knife (SS575)

1/2" wrench & socket ratchet  
drill (SS575) 13/32" drill bit (SS575)

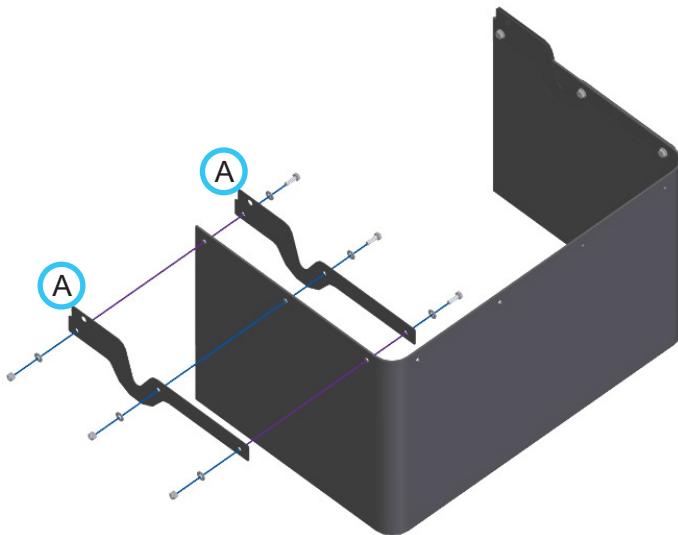


### Attention

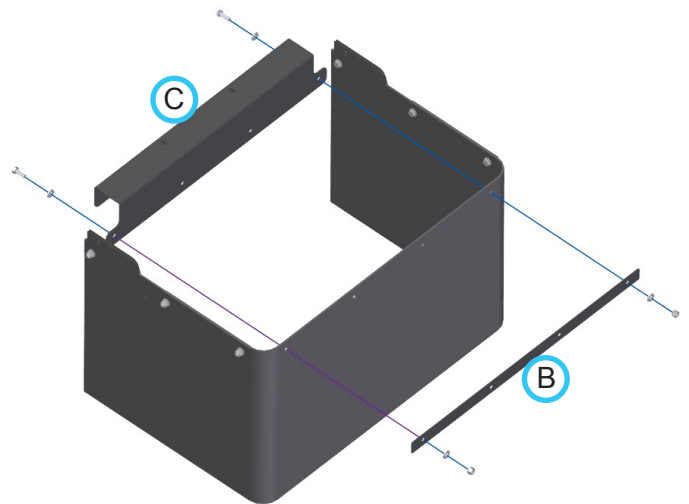
To prevent thread galling, hand tools and a thread lubricant are recommended when tightening stainless steel fasteners. Do not use air or electric power tools as this increases the potential of thread galling.

### Drop Curtain Setup

1. On both ends of the drop curtain, install a side drop curtain mount (A) on each side of the belting and fasten with 3) 1/4" x 3/4" bolts, 6) 1/4" flat washers, and 3) 1/4" lock nuts as shown below. Torque to 75 in-lbs (8.5 Nm).



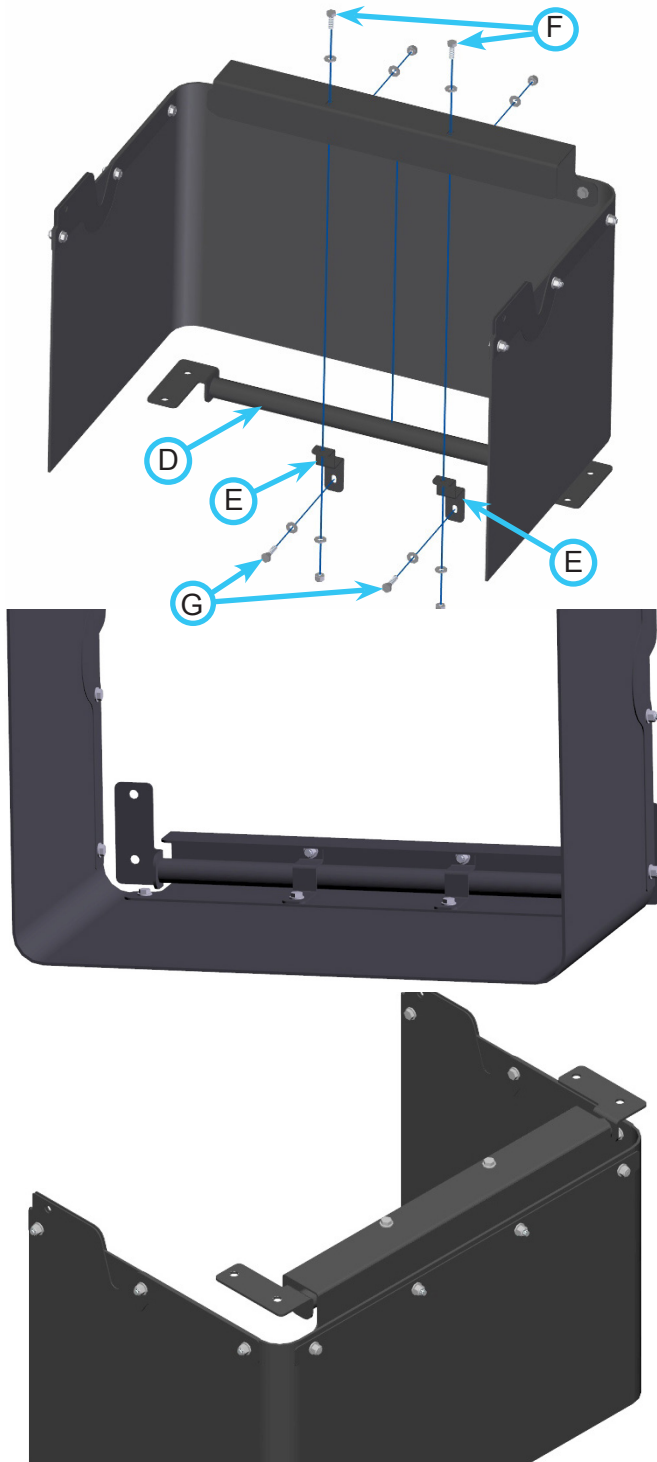
2. Install the curtain clamp bracket (B) on the outside (smooth side) of the drop curtain and the rear belting mount (C) on the inside of the drop curtain. Install 2) 1/4" x 3/4" bolts, 4) 1/4" flat washers, and 2) 1/4" lock nuts in the two outside holes only. Torque to 75 in-lbs (8.5 Nm).





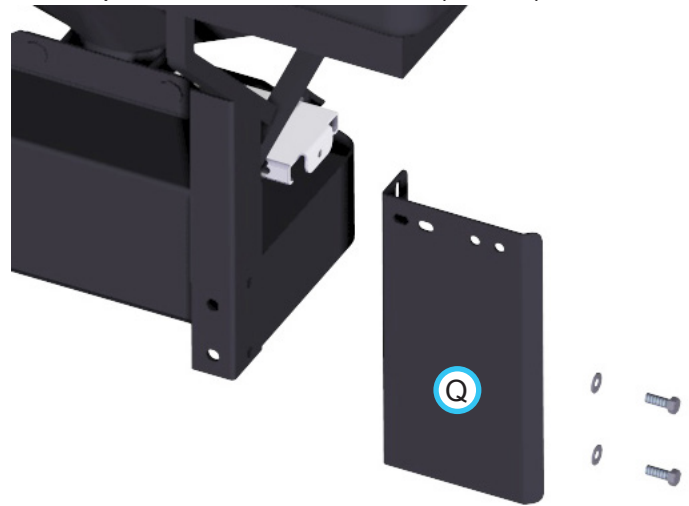
# SPREADER SETUP & INSTALL KITS

3. Place the rear belting pivot brace (D) onto the underside of the rear belting mount. Install 2) pivot tube clamps (E) onto the rear belting mount using 2) 1/4" x 3/4" bolts (F), 4) 1/4" flat washers, and 2) 1/4" lock nuts at the top of the rear belting mount and 2) 1/4" x 1" bolts (G), 4) 1/4" flat washers, and 2) 1/4" lock nuts at the two center holes in the rear belting mount and drop curtain. Torque to 75 in-lbs (8.5 Nm).

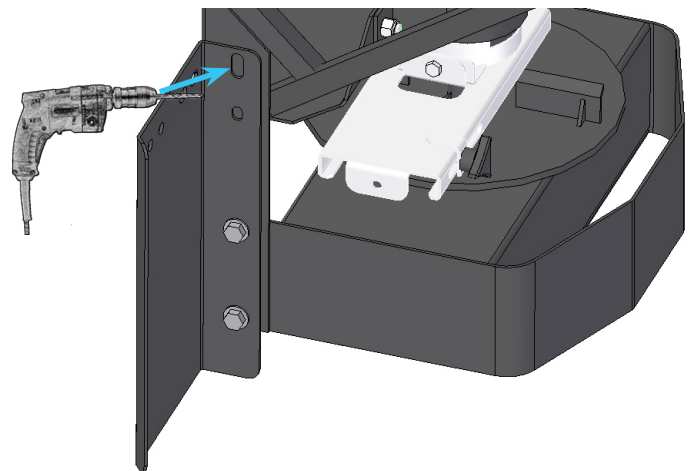


## Installation on SS575 Spreader

1. Remove the 2) 3/8" bolts from the left side of the spreader frame and discard.
2. Install the left drop curtain mount (Q) onto the spreader frame with the longer slot toward the top. Fasten with 2) 3/8" x 1" bolts and 2) 3/8" flat washers. Keep the edge of the curtain mount parallel with the edge of the spreader frame and torque the bolts to 245 in-lbs (28 Nm).



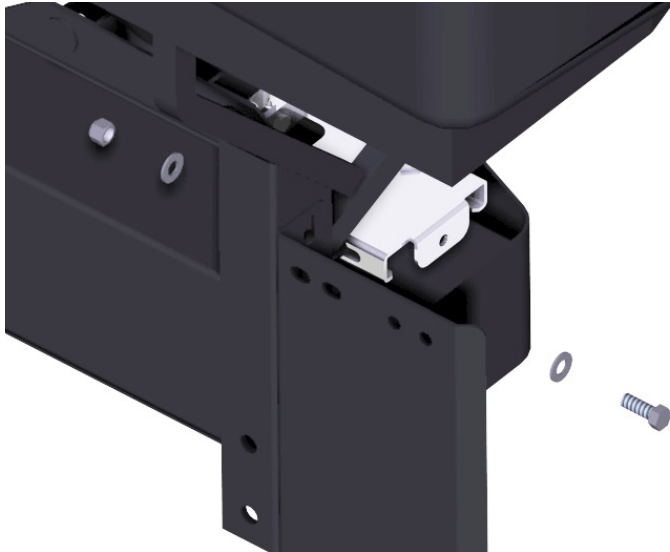
3. Using the long slot in the curtain frame as a location guide, drill a 13/32" hole through the spreader frame. Remove any burrs and metal shavings and use black paint to touch up the exposed metal.



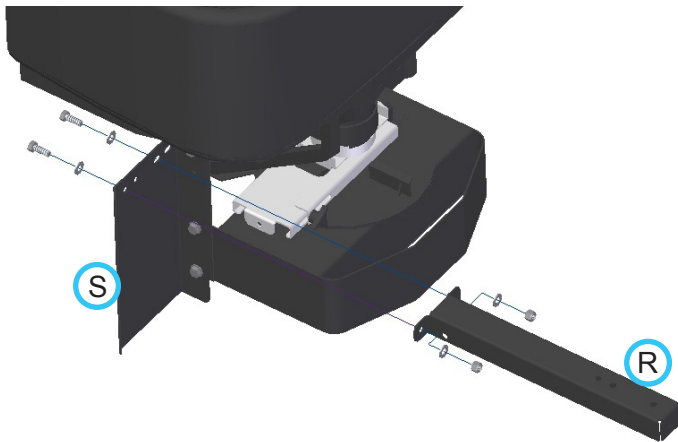


## SPREADER SETUP & INSTALL KITS

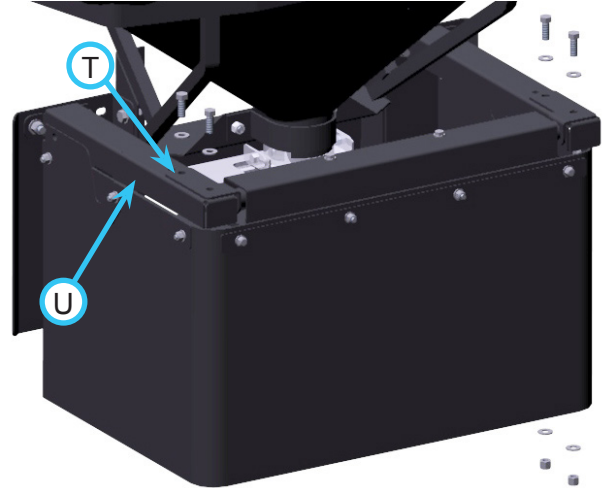
4. Install a 3/8 x 1" bolt with a 3/8" flat washer through the drilled hole and fasten with a 3/8" flat washer and lock nut. Torque to 245 in-lbs (28 Nm).



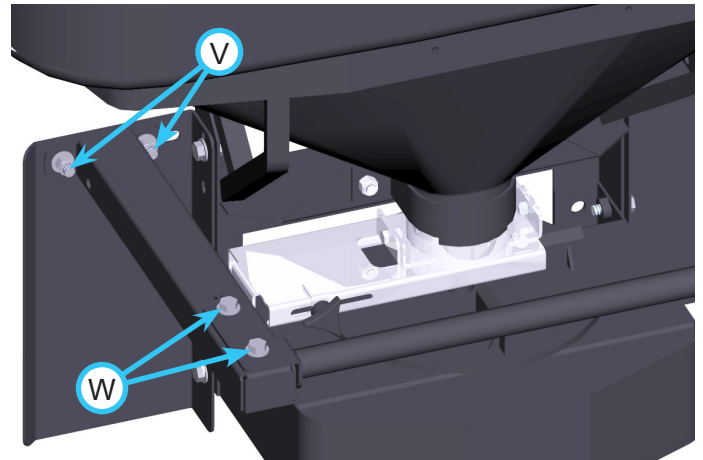
5. Repeat steps 1 through 4 to install the right drop curtain mount onto the right side of the spreader.
6. Install a side belting hanger (R) onto the outside set of mounting holes on both the right and left drop curtain mounts (S) using 4) 3/8" x 1" bolts, 8) 3/8" flat washers, and 4) 3/8" lock nuts. Do not tighten the hardware at this time.



7. Install the rear belting pivot brace (T) and drop curtain assembly on top of the left and right side belting hangers (U) using 4) 3/8" x 1" bolts, 8) 3/8" flat washers, & 4) 3/8" lock nuts. Partially tighten the four bolts to help align the left and right side belting hangers.



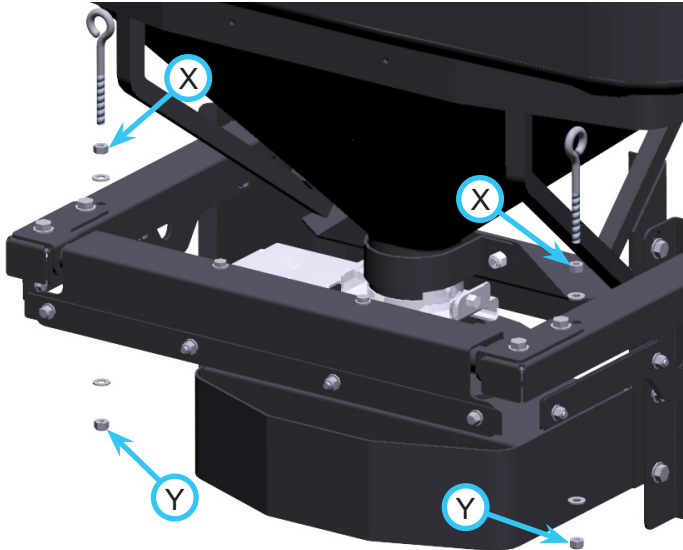
8. Tighten the 4) 3/8" bolts (V) that fasten the side belting hangers to the right and left drop curtain mount. Torque to 245 in-lbs (28 Nm).



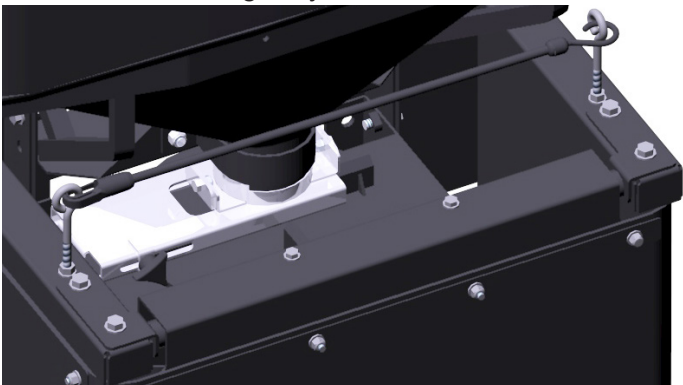
9. Finish tightening the 4) 3/8" bolts (W) that fasten the rear belting pivot brace to the side belting hangers. Torque to 245 in-lbs (28 Nm).

## SPREADER SETUP & INSTALL KITS

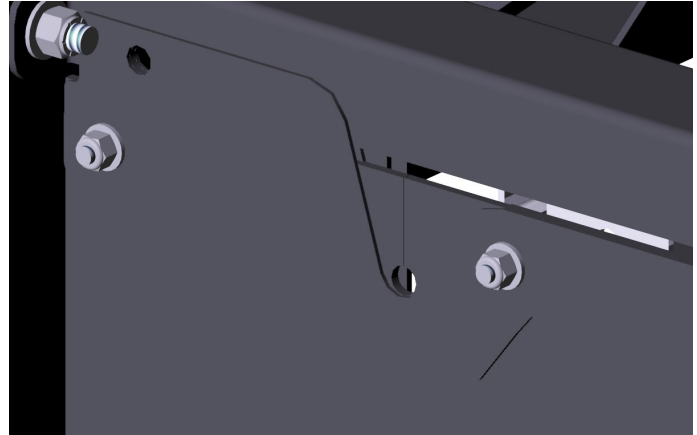
10. Install a 5/16" x 3-1/2" eyebolt on top of both the right and left side belting hangers using a 5/16" standard nut (X) and flat washer on top and a 5/16" lock nut (Y) and flat washer underneath. Orient the eyebolts as shown below and torque the lock nuts to 135 in-lbs (15 Nm). Check to ensure that approximately one thread of the eyebolt is through the nylon lock nut.



11. Fasten the clip on the supplied polymer bungee strap to the left eyebolt and hook the opposite end onto the right eyebolt.



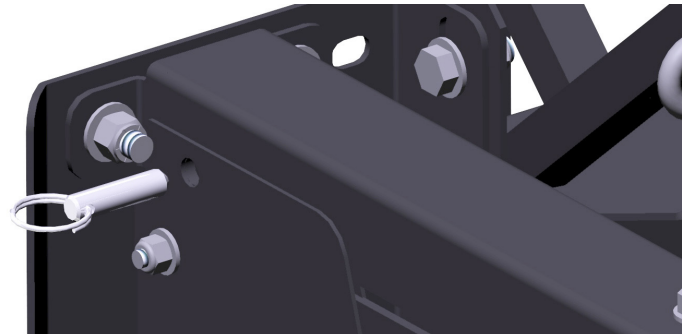
12. The drop curtain belting will need to be cut to fit over the gate cable. Drill a 13/32" hole through the left side of the drop curtain belting at the bottom of the V-notch in the side drop curtain mounts. Cut the drop curtain from the hole to the top edge of the curtain belting.



13. Rotate each side of the drop curtain up into place with one of the side curtain mounts on each side of the side belting hanger flange until the mounting holes are aligned.



14. Fasten each side in place with a 3/8" x 3/4" ball pin.



15. Insert the gate cable through the slit and into the hole in the drop curtain.

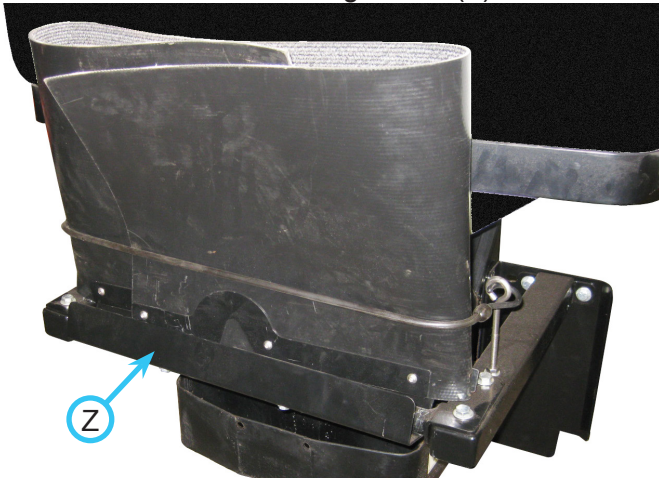
16. Installation is complete. NOTE: not all parts in this kit will be used in all applications.

# SPREADER SETUP & INSTALL KITS

## Drop Curtain Use

When the drop curtain is in the down position, it is designed to keep the material being spread contained to a 48" or narrower width in most conditions. If a wider spread pattern is desired the drop curtain can be pivoted up out of the way. The spreader controller can be used to adjust the spread width between approximately 7' (2.1 m) to 25' (7.6 m). NOTE: wind speed and direction can affect the spread width and pattern. Use the following procedure to pivot the drop curtain up for a wider spread pattern.

1. Unhook the bungee strap from the right eyebolt.
2. Remove the 3/8" ball pins that fasten the drop curtain to the side belting hangers. Allow the drop curtain sides to drop down, and reinstall the ball pins back in the holes on the side belting hangers.
3. Rotate the drop curtain until it is standing up against the spreader hopper.
4. Fold the sides of the drop curtain back against the rear of the drop curtain, making sure that each side leg of the drop curtain is captured in the channel of the rear belting mount (Z).



5. Secure by placing the bungee strap around the back of the drop curtain and hooking it onto the right eyebolt.

If you prefer to completely remove the curtain from the spreader when not in use, it can be set up to be removed quickly. To set up for quick removal, unbolt the pivot tube clamps from the rear belting mount and reinstall the bolts, washers, and nuts to fasten the belting back onto the rear belting mount.

Use the following procedure to remove the drop curtain for a wider spread pattern.

1. Remove the 3/8" ball pins that fasten the drop curtain to the side belting hangers. Allow the drop curtain sides to drop down, and reinstall the ball pins back in the holes on the side belting hangers.
2. Lift the rear belting mount off the pivot tube to remove the curtain from the spreader.

# GENERAL OPERATION

## Daily Inspection

### ⚠ WARNING

Always set the parking brake, shut off power unit engine, remove the ignition key, and ensure all moving parts have come to a complete stop before inspecting components, or attempting any repair or adjustment.

1. Park machine on a level surface, with the engine shut off and all fluids cold.
2. Perform a visual inspection of both the power unit and the spreader. Look for loose or missing hardware, damaged components, or signs of wear.
3. Be sure all electrical connections are tight and clean.
4. Be sure nothing is jammed in the hopper.
5. Refer to the power unit operator's manual. Check the power unit's engine oil, hydraulic oil, cooling system, tire pressure, and fuel level. Add fluid or service as required.
6. Test the power unit's operator safety interlock system\*.

## Spreader Loading

### ⚠ WARNING

Do not overload spreader or power unit. Use the chart below to calculate weight of material. Weights of material are an average for dry materials.

Material	Weight Per Cubic Ft.
Rock Salt	75-85 lbs. (34-38.5 kg)
Sand/Salt Mix	95-120 lbs. (43-54.5 kg)
Maximum Spreader Capacity (Volume) 5.75 ft <sup>3</sup> (.163 m <sup>3</sup> )	
Maximum Spreader Capacity (Weight) 460 lbs. (209 kg)	

Use the following charts to determine the allowable weight capacity of the spreader in combination with various power unit and attachment setups.

### ⚠ WARNING

Exceeding the listed weight capacities in the following charts may result in loss of steering or front wheel traction.

\* Refer to power unit operator's manual for operation of power unit controls.

### Ventrac 4100 and 4200 (without cab)

Attachment On Front Of Power Unit	SS575 Capacity	
HE480	48" Slip Scoop	300 lbs (136 kg) <sup>&amp;</sup>
HJ480	48" Excavator	300 lbs (136 kg) <sup>&amp;</sup>
KD482	48" Dozer Blade	300 lbs (136 kg) <sup>&amp;</sup>
KD602	60" Dozer Blade	350 lbs (159 kg) <sup>&amp;</sup>
KD722	72" Dozer Blade	350 lbs (159 kg) <sup>&amp;</sup>
KV522	55" V-Blade	400 lbs (181 kg) <sup>&amp;</sup>
HB580	58" Broom	460 lbs (209 kg) <sup>^</sup>
KX523	52" Snowblower	460 lbs (209 kg) <sup>^</sup>

### Ventrac 4100 and 4200 (with KW350 Cab) <sup>&</sup>

Attachment On Front Of Power Unit	SS575 Capacity	
HE480	48" Slip Scoop	150 lbs (68 kg)
HJ480	48" Excavator	150 lbs (68 kg)
KD482	48" Dozer Blade	150 lbs (68 kg)
KD602	60" Dozer Blade	200 lbs (91 kg)
KD722	72" Dozer Blade	200 lbs (91 kg)
KV522	55" V-Blade	250 lbs (113 kg)
HB580	58" Broom	460 lbs (209 kg) <sup>^</sup>
KX523	52" Snowblower	460 lbs (209 kg) <sup>^</sup>

<sup>&</sup> The rear weights must be removed from the power unit.

<sup>^</sup> Weight transfer set to 100%.

After loading material into spreader hopper, replace the hopper cover and latch securely.

## Spreader Operation

### ⚠ CAUTION

Sweep area clear of foreign objects or obstacles that could cause personal injury. Keep other persons, children, or animals out of the area to be spread.

### ⚠ CAUTION

Never leave materials in hopper for long periods of time, as ice melt products are hygroscopic and will attract atmospheric moisture and harden.

### ⚠ CAUTION

If there are any problems while operating the spreader, refer to the Troubleshooting Guide.

### ⚠ WARNING

Do not operate power unit with SS575 spreader on slopes greater than 10 degrees. Operation on slopes greater than 10 degrees may result in loss of steering or front wheel traction.



# GENERAL OPERATION

## ⚠ WARNING

Do not exceed 10 mph (16 kph) when operating the spreader.

## ⚠ WARNING

Always turn off the spreader controller before filling hopper with material.

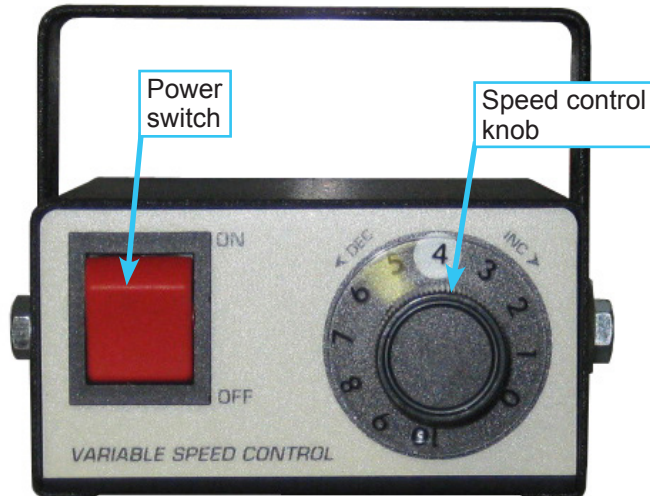
## ⚠ WARNING

Before working on the spreader for any reason, turn off the spreader controller and unplug the spreader from the tractor power supply.

## ⚠ WARNING

If the spinner becomes jammed, turn off the spreader controller and unplug the spreader from the tractor power supply before attempting to clear the obstruction.

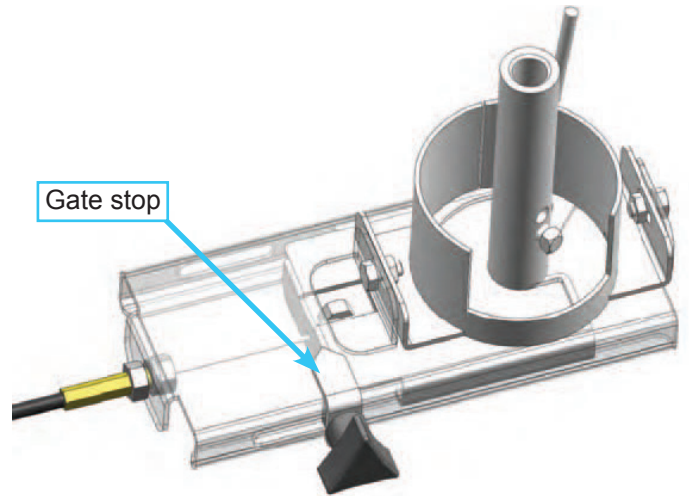
The spreader is equipped with controls to allow adjustment of the spreading width and the density of the spread pattern.



To adjust the distance that material is being spread, the spinner speed should be increased for a wider spread pattern and decreased for a narrower spread pattern. The spinner speed is adjusted by rotating the speed control knob on the variable speed controller. Position 0 is the slowest setting available and will give approximately a 7 foot (2.1 meter) spread pattern\*, while Position 10 is the fastest setting and will give approximately a 25 foot (7.6 meter) spread pattern\*. The spinner speed can be adjusted at any time, with the spinner turned on or off.

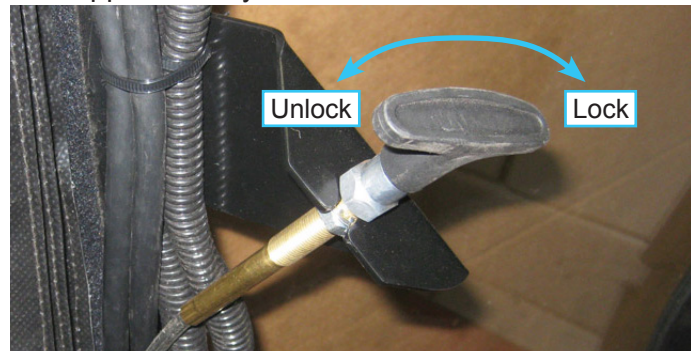
An optional drop curtain is available for spreading material in tight areas, such as sidewalks, cart paths, etc. The drop curtain will limit the spread width to approximately 48 inches (122 cm).

\*Wind conditions can greatly affect the spread pattern and distance.



There is an adjustable stop provided on the gate assembly to allow for a repeatable spread pattern density. If it is desired that the spread pattern density always be the same, then the gate stop should be used for the most consistent spreading. The gate stop provides unlimited adjustment from the closed to the fully open positions by loosening the gate stop knob and sliding the stop in the slot. Moving the stop away from the spreader shaft will make the spread pattern heavier, and moving it toward the spreader shaft will make the spread pattern lighter. The numbered reference lines on the gate body allow for repeatable settings.

The twist-to-lock push/pull cable allows the flow of material to be turned on or off from the tractor seat. To unlock, twist the gate cable handle counterclockwise approximately 1/4 to 1/2 a turn.



Pulling the cable out will open the gate and allow material to start flowing out of the hopper. Pushing in on the handle will then close the gate to stop the flow of material. It is suggested that the gate cable handle be locked by twisting it clockwise so the gate



# GENERAL OPERATION

---

will not move from its selected position.

With the twist-to-lock feature, the gate cable can be locked at any point within its travel limits. It is possible to use the gate cable to adjust the amount of material being dispensed as the spreader is being used, without the need to stop and adjust the gate stop. To use the spreader in this manner, the gate stop should be locked in the fully open position. The gate cable can then be moved in or out to adjust how much material is being spread.

The density of the spread pattern can also be changed by the travel speed of the tractor. Increasing travel speed with the same gate opening position will make the spread pattern lighter, while decreasing travel speed will make the spread pattern heavier.

1. To spread material, make sure the gate on the hopper is closed.
2. Fill the hopper with the material that is to be spread.
3. Turn the controller power switch on to start the spinner rotating.  
NOTE: the speed controller is equipped with a start up burst mode that sends full power to the motor at start up to prevent the motor from stalling if it is under load. Be aware of this start up burst, as it will give a full width spread pattern initially, even if the controller is set at its slowest setting.
4. Once the spinner is turning, pull the gate control cable out to open the gate and allow material to flow out of the hopper.
5. When finished, shut the gate by pushing the gate control cable in.
6. If it will be more than 5 minutes before spreading again, turn the controller power switch off to stop the spinner.

Ice melt products may harm vegetation. Be aware of the spread pattern and reduce the spread width as required.

# SERVICE

## WARNING

Always set the parking brake, shut off power unit engine, remove the ignition key, and ensure all moving parts have come to a complete stop before inspecting components or attempting any repair or adjustment.

## WARNING

When servicing is necessary, perform it in a protected area. Do not use power tools in rain or snow because of danger of electrical shock or injury. Perform service in a well lighted area. Disconnect electricity to spreader before performing any service. Keep service area clean to help prevent accidents.

## WARNING

Do not splice any other devices into wiring harness. Do not modify harness length. Any modifications will void warranty.

## CAUTION

Read lead labels before attaching wiring harness to power source or ground.

## CAUTION

The controller is a solid state electronic unit and is not serviceable. Any attempt to service will void the warranty.

## CAUTION

There are no serviceable parts in the motor/transmission assembly. Any attempt to service will void the warranty.



## Attention

If any component requires replacement, use only original Ventrac replacement parts.

### Cleaning and General Maintenance

For best results, and to maintain the finish of the SS575, clean or wash the spreader to remove dirt, sand, and salt deposits. Remove any ice or snow accumulations from the spreader and mount.



## Attention

To maintain the finish of the power unit and attachment, thoroughly wash the equipment after each use to remove any corrosive agents (e.g., salt). Failure to clean the equipment may result in corrosion of (including but not limited to) steel, aluminum, and electrical components. Equipment that will experience repeated exposure to corrosive agents should be pretreated with a corrosion preventative.

## CAUTION

When pressure washing the motor enclosure area, stay at least 36 inches (92 cm) away from motor enclosures.

After first use, tighten all nuts and bolts on spreader and mount.

Apply a small amount of oil to the gate cable to prevent corrosion and maximize cable life.

If the motor cover is removed for any reason, use silicone sealant to ensure weather proofing of enclosure.

To prevent corrosion, use dielectric grease on all electrical connections at the beginning and end of the season and each time power plugs are disconnected.

### Storage

#### Preparing the Spreader for Storage

1. Clean the spreader.



## Attention

To maintain the finish of the power unit and attachment, thoroughly wash the equipment to remove any corrosive agents (e.g., salt). Failure to clean the equipment may result in corrosion of (including but not limited to) steel, aluminum, and electrical components.

2. Inspect for loose or missing hardware, damaged components, or signs of wear.
3. Inspect safety decals, Replace any safety decals that are faded, illegible, or missing.
4. Use dielectric grease on all electrical connections to prevent corrosion.
5. Paint or oil all bare metal surfaces.
6. Apply a small amount of oil to the gate cable to prevent corrosion and maximize cable life.
7. Wipe off all excess grease or oil.

#### Removing the Spreader from Storage

Inspect, clean, and prepare spreader for use.

# TROUBLESHOOTING

## Troubleshooting Chart

Whenever service is necessary, your local Ventrac dealer knows your spreader best. Take your spreader to your local dealer for any maintenance or service needs on your unit. If this is not possible, the troubleshooting guide below may assist you in locating the problem.

Preliminary Checks:

- Be sure all electrical connections are tight and clean.
- Be sure nothing is jammed in the hopper, agitator, or spinner.

**WARNING**

First read all warning instructions and safety messages before servicing your spreader.

PROBLEM	POSSIBLE CAUSE	SOLUTION
Motor doesn't run.	Loose or corroded electrical connections.  Tripped circuit breaker.  Motor seized.	Check all connections.  Type 1 circuit breaker resets automatically after it cools. Turn off spreader motor and check for electrical shorts or jammed material in hopper or agitator.  Replace motor.
Motor runs at one speed.	Faulty controller.	Replace controller.
Excessive vibration.	Bent shaft Bent spinner.	Replace transmission. Replace spinner
Controller shut down.	Jammed agitator or spinner. Poor electrical connections.  Electrical short.  Controller failure.	Carefully clear jammed material. Clean or replace connectors. Use dielectric grease. Check electrical connections. Check for bare wires. Replace controller.
Material not flowing from hopper.	Empty hopper. Gate not open. Physical obstruction. Wet material. Frozen or coarse material. Spinner not turning. Agitator loose on shaft.	Fill hopper. Open the gate. Clear out obstruction. Replace with dry material. Replace material. Check drive assembly. Tighten locking set screw on the side of the agitator. There is a flat machined on the driver shaft. Align the agitator set screw with this flat and tighten the bolt.
Gate doesn't open.	Gate slide is frozen or clogged with debris. Gate cable corroded. Gate cable fastener to the gate is loose. Gate cable not adjusted correctly.	Clean out debris and/or loosen gate slide. Replace the gate cable. Tighten the hardware that fastens the gate cable to the gate body and slide. Adjust the gate cable and tighten the bolt that fastens the cable to the gate slide.



# SPECIFICATIONS

---

## Dimensions

Overall Height . . . . .	36 inches (91 cm)
Overall Length . . . . .	34 inches (86 cm)
Overall Width . . . . .	38 inches (97 cm)
Weight . . . . .	100 pounds (45.4 kg)
Capacity (volume) . . . . .	5.75 ft <sup>3</sup> (.163 m <sup>3</sup> )
Capacity (weight) . . . . .	460 lbs (209 kg)
Spreading Width . . . . .	up to 25 ft (7.6 m)

\*Approximate dimensions, includes installation kit.

## Features

Spreads bagged rock salt\*, bagged ice melt products, calcium flake, and calcium pellets.  
Spreads bulk salt when equipped with optional vibrator kit (70.8120).

\*Optional vibrator kit (70.8120) may be needed, depending on the properties and condition of the rock salt.

Electronic, weather resistant, variable speed controller.

A 12 volt, 1/3 hp drive motor with scaled reduction gear drive.

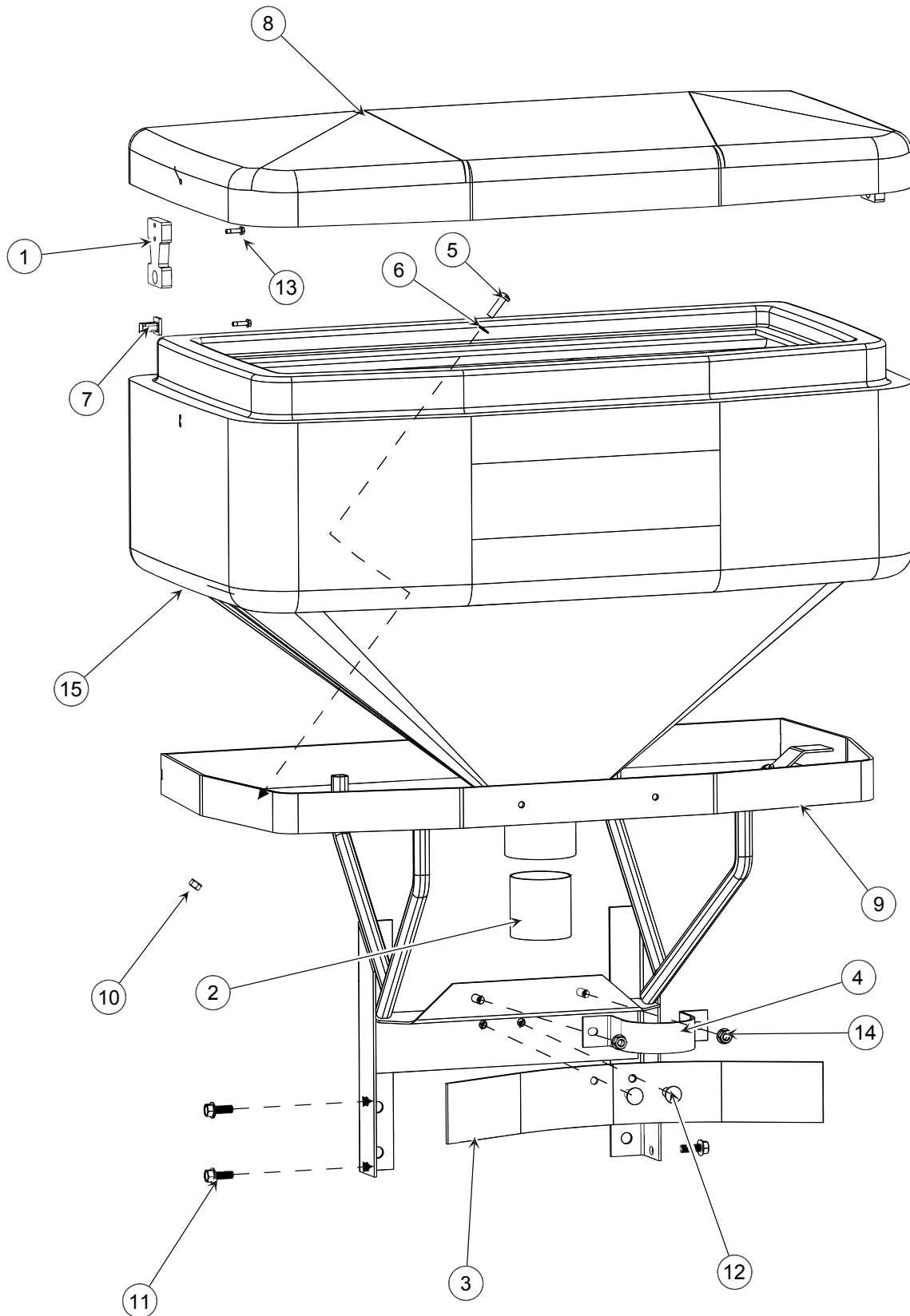
10 inch (25.4 cm) powder coated steel spinner.

Adjustable gate flow control.

Hard top hopper cover.

# PARTS

## ILLUSTRATED DRAWING Frame & Hopper



# PARTS

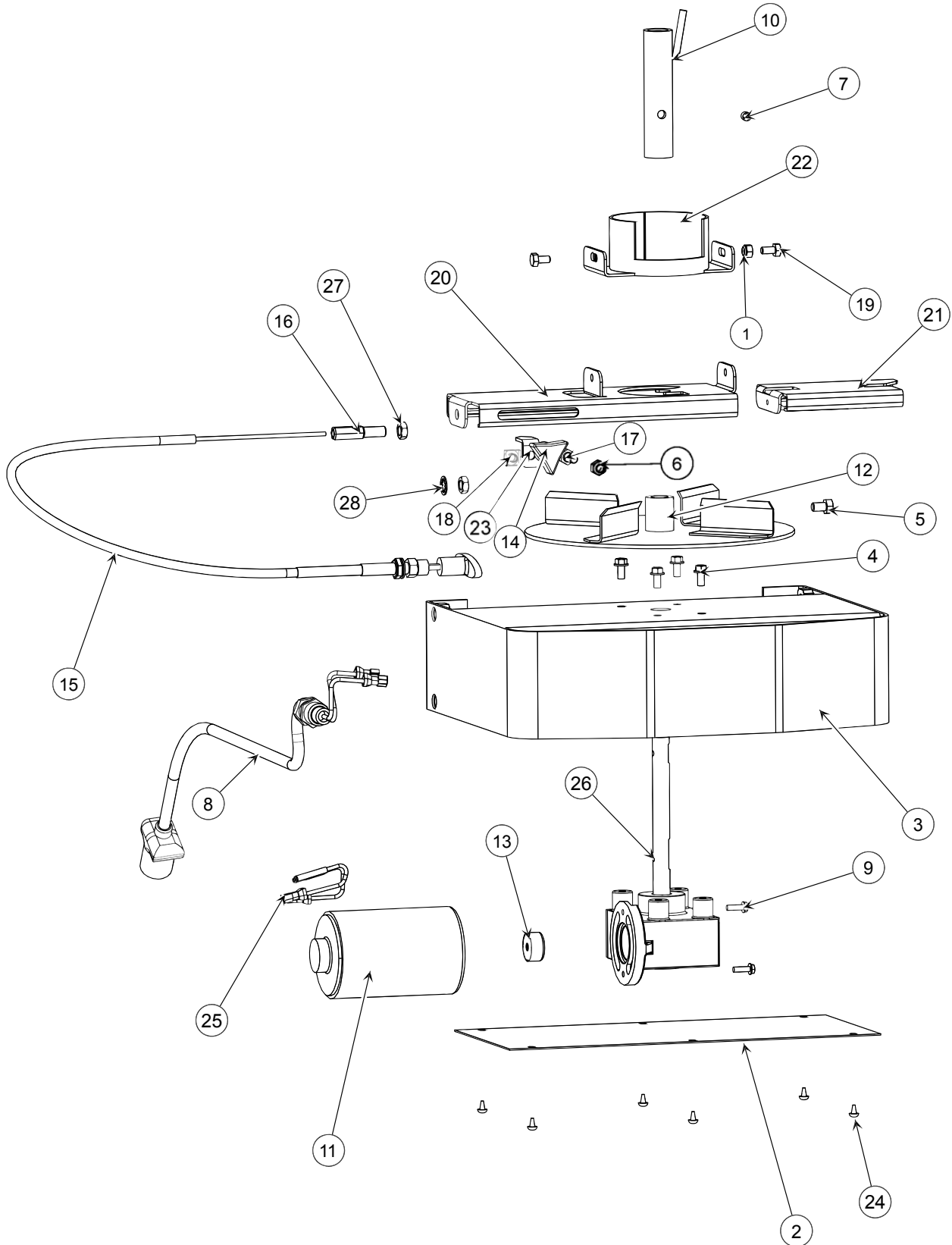
## Frame & Hopper

REF.	PART NO.	DESCRIPTION	QTY.
1	07.3D6105	LATCH, FLEXIBLE DRAW	2
2	07.3D6108	THROAT LINER, STAINLESS	1
3	07.3D6110	DEFLECTOR - 20"	1
4	07.3D6129	CLAMP, THROAT	1
5	07.3D6137	BOLT, 5/16-18 X 1-1/4 SS	2
6	07.3D6169	WASHER, 3/8 FLAT SS	2
7	07.3D6198	KEEPER, LATCH	2
8	07.3D6240	COVER, HOPPER - SS575	1
9	07.3D6245	FRAME, MAIN 575-01	1
10	07.3D6394	NUT, 5/16 KEPS	2
11	99.SF0608	BOLT, SRF 3/8-16 USS X 1	4
12	07.3D6463	FASTENER, PLASTIC PUSH PIN	2
13	99.K0072	MACHINE SCREW, #10-24 X 1/2 ZP	6
14	99.SF06	NUT, SRF 3/8-16 USS	2
15	07.3F50118	HOPPER, 5.75 CU. FT. BLACK	1



# PARTS

## ILLUSTRATED DRAWING Spinner Drive & Gate Slide



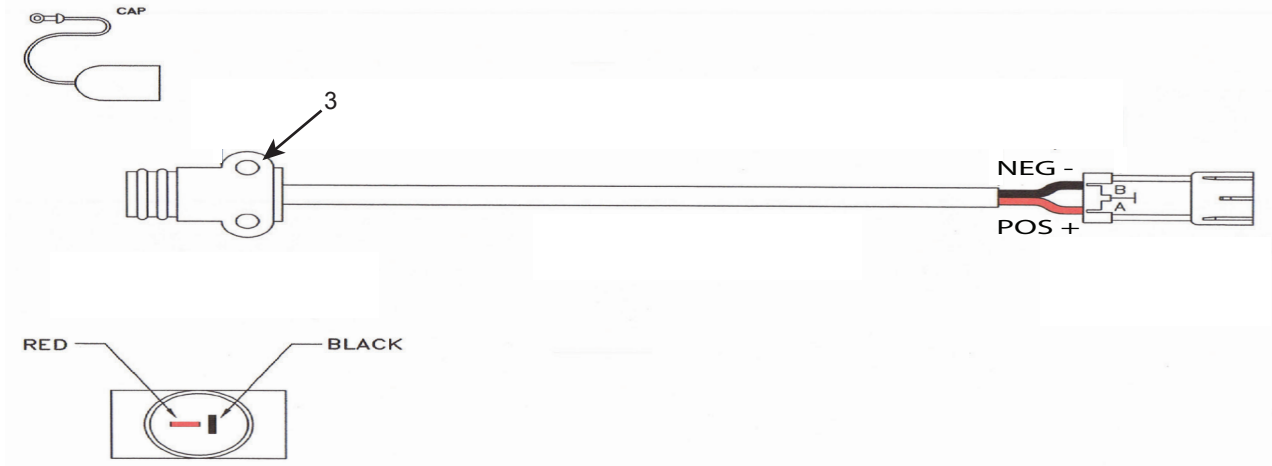
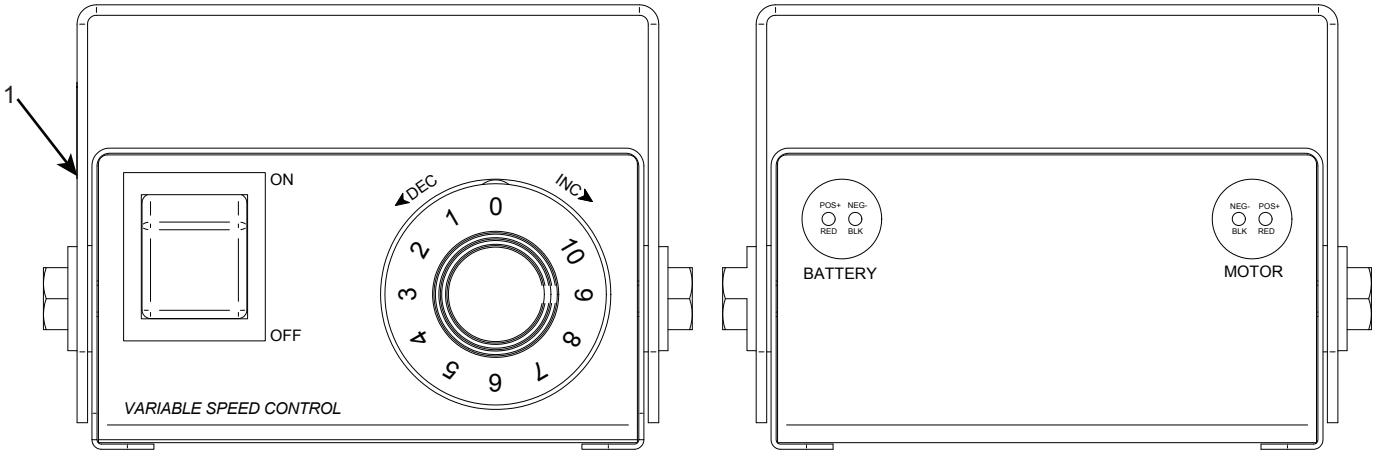
# PARTS

## Spinner Drive & Gate Slide

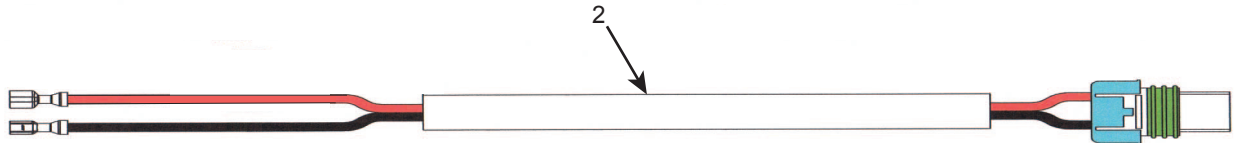
REF.	PART NO.	DESCRIPTION	QTY.
1	99.A04N	.LOCKNUT, NYLON 1/4-20	2
2	07.3D6109	.COVER, MOTOR	1
3	07.3D6111	.DRIVE ENCLOSURE	1
4	07.3D6131	.BOLT, SRF 1/4-20 X 1/2 SS	4
5	90.0504	.BOLT, 5/16-18 USS X 1/2	1
6	99.A05N-3	.LOCKNUT, NYLON 5/16-18 SS	1
7	85.SS18	.SET SCREW, 5/16-18 X 3/8	1
8	07.3D6162	.CABLE, POWER - 24"	1
9	99.SF103205	.BOLT, SRF 10-32 X 5/8	2
10	07.3D6185	.AUGER, AGITATION	1
11	07.3D6214	.MOTOR, 12 VOLT DC	1
12	07.3D6224	.SPINNER, 10" STEEL	1
13	07.3D6232	.COUPLER, MOTOR DRIVE	1
14	07.3D6302	.KNOB, GATE	1
15	07.3D6304	.CABLE, 10' GATE (Serial # 1051-1210)	1
15	47.0355	.CABLE, CONTROL 10' (Serial # 1211-)	1
16	07.3D6305	.FITTING ASSEMBLY, CABLE (Serial # 1051-1210)	1
16	45.0051	.FITTING ASSEMBLY, CABLE SS (Serial # 1211-)	1
17	07.3D6308	.BOLT, 5/16-18 SPECIAL	1
18	07.3D6309	.NUT, SQUATE FOR KNOB	1
19	90.0404	.BOLT, 1/4-20 USS X 1/2	2
20	07.3D6365	.GATE BODY, SS	1
21	07.3D6366	.GATE SLIDE, SS	1
22	07.3D6367	.MOUNT, THROAT - SS	1
23	07.3D6368	.STOP INDICATOR, GATE - SS	1
24	07.3D6467	.RIVET, 1/4" PLASTIC	6
25	07.3D6652	.ADAPTOR, CORD	1
26	07.3D6715	.TRANSMISSION, 14.5:1	1
27	07.3D7172	.NUT, 3/8-24 HEX JAM STAINLESS	2
28	07.3D7173	.WASHER, 3/8 INT. TOOTH LOCK SS	1

# PARTS

## ILLUSTRATED DRAWING Control & Harness

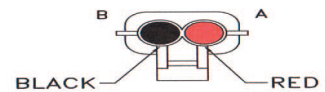


**IMPORTANT: Do not modify harness length. Any modifications will void warranty.**



### Special Notes:

1. All external connections must have dielectric grease.
2. Read lead labels before attaching to power source or ground.
3. **No other devices may be spliced into wiring harness.**
4. Any repairs to wiring harness must be done with heat shrink butt connectors.
5. For connecting the harness to the battery, refer to the steps listed in the spreader installation kit instructions for your power unit.





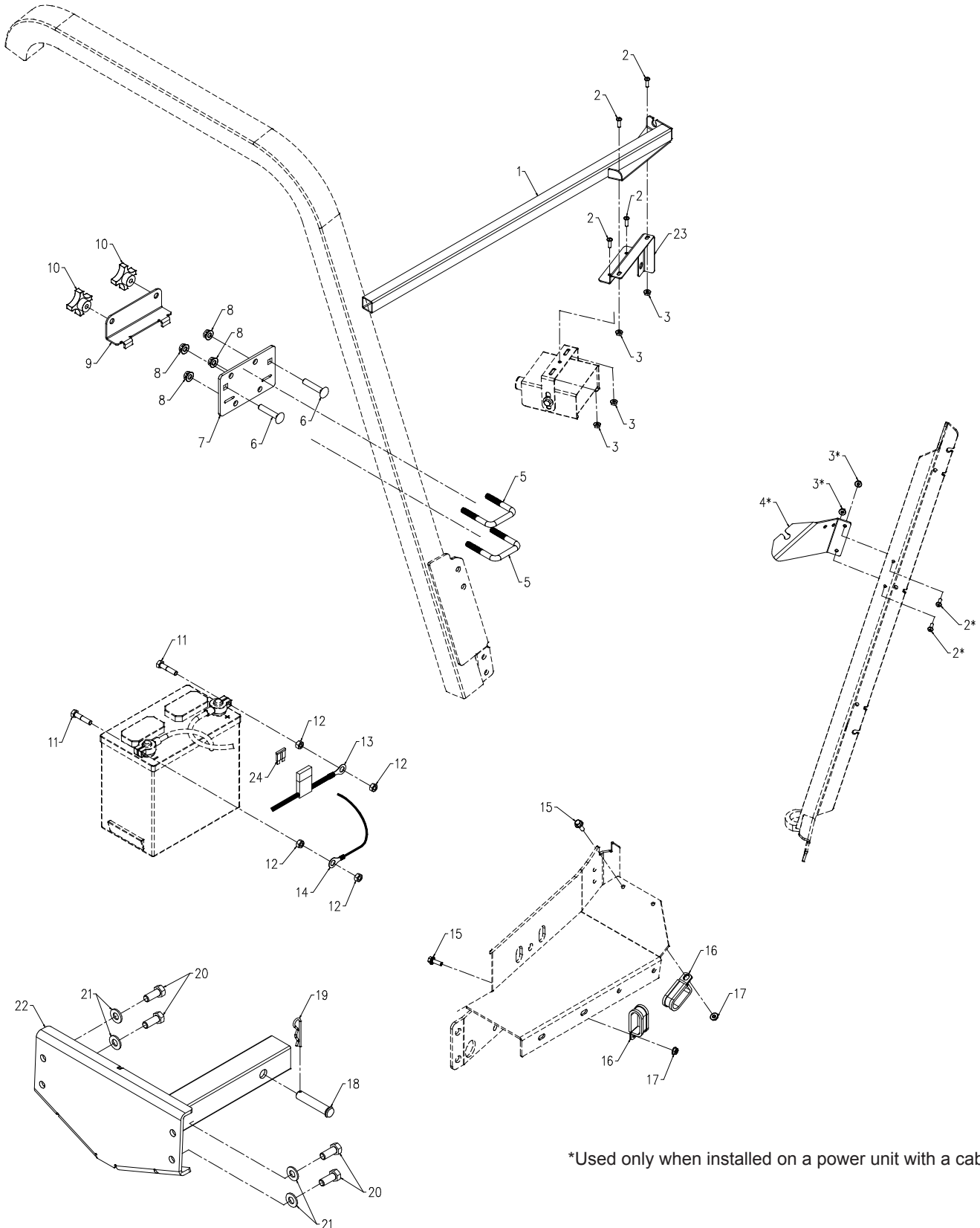
# PARTS

## Control & Harness

REF.	PART NO.	DESCRIPTION	QTY.
1	07.3D7130	CONTROLLER, SS575 W/PACKARD	1
2	07.3D7341	HARNESS, BATTERY	1
3	07.3D7342	HARNESS, CONTROL	1

# PARTS

## ILLUSTRATED DRAWING SS575 Install 4100/4200



\*Used only when installed on a power unit with a cab.

# PARTS

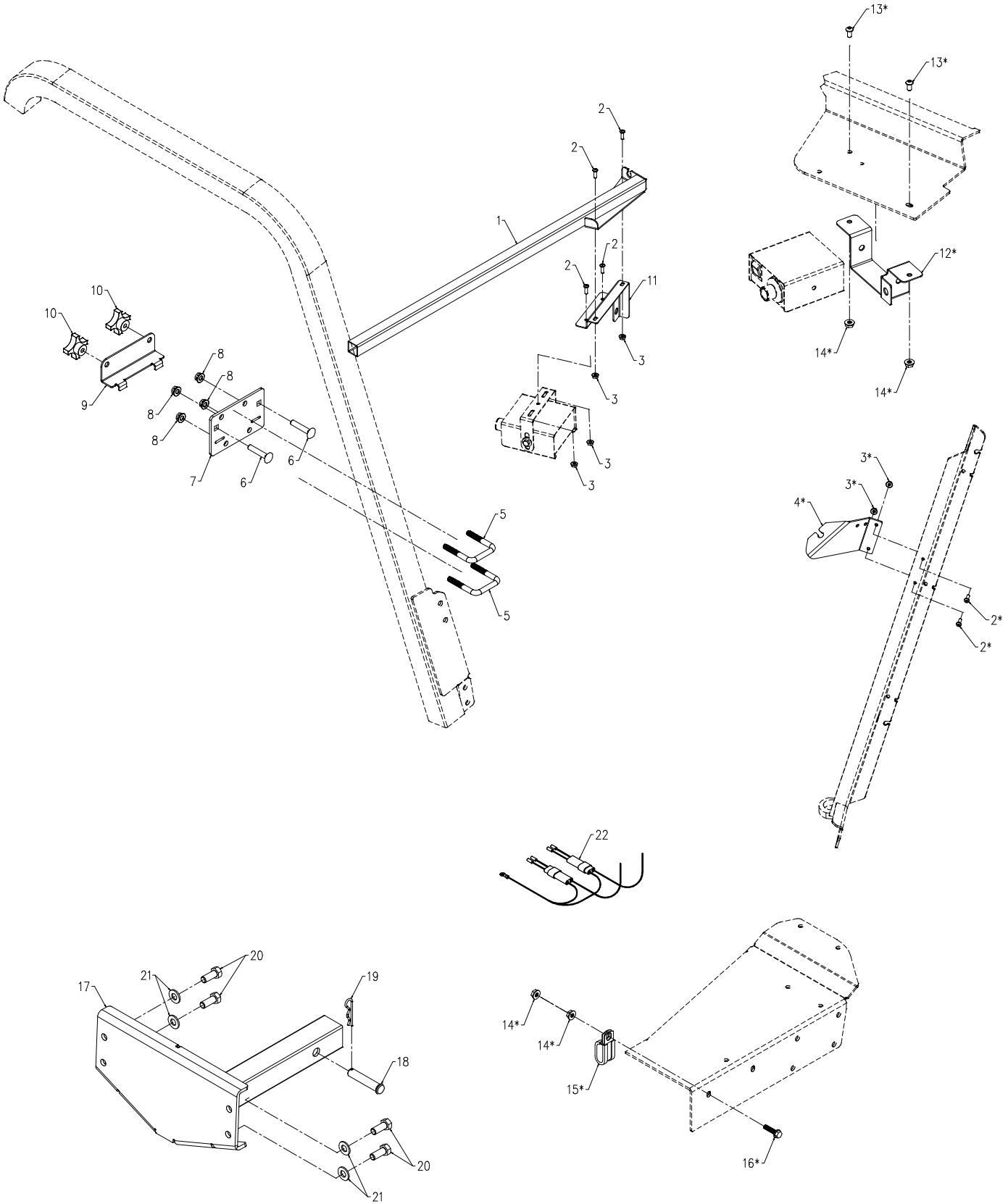
## SS575 Install 4100/4200

REF.	PART NO.	DESCRIPTION	QTY.
1	62.1349	.FRAME, CONTROL BOX MOUNT	1
2	99.K0062	.MACHINE SCREW, #10-32 X 1/2	6
3	99.E0035	.NUT, SRF #10-32	6
4	64.1532	.BRACKET, GATE CABLE MOUNT	1
5	11.0053	.U-BOLT, 3/8-16 2-1/16 ID SQ	2
6	97.0616	.BOLT, CARRIAGE 3/8 X 2	2
7	64.1541	.BRACKET, FRAME MOUNT	1
8	99.E0082	.NUT, LOCKING FLANGE 3/8-16	4
9	64.1533	.BRACKET, FRAME CLAMP	1
10	47.0213	.KNOB, 4-ARM 3/8-16 THRU HOLE	2
11	90.0512	.BOLT, 5/16-18 USS X 1-1/2	2
12	92.05	.NUT, 5/16-18 USS	4
13	34.0008	.WIRE, ASM FUSED POSITIVE	1
14	34.0009	.WIRE, ASM NEGATIVE	1
15	99.SF0406	.BOLT, SRF 1/4-20 X 3/4	2
16	11.0071	.CLAMP, CUSHIONED METAL 3/4"	2
17	99.SF04	.NUT, SRF 1/4-20 USS	2
18	03.1024	.CLEVIS PIN, 5/8 X 3 OAL	1
19	02.HP0420	.HAIRPIN, 1/8 X 2-1/2	1
20	90.0810-3	.BOLT, 1/2-13 USS X 1-1/4 SS	4
21	95.08-3	.WASHER, FLAT 1/2 SAE SS	4
22	62.1339	.HITCH, SS575	1
23	64.1587	.BRACKET, CONTROL BOX MOUNT	1
24	30.0343	.BREAKER, CIRCUIT 25A ATC	1



# PARTS

## ILLUSTRATED DRAWING SS575 Install 4500



# PARTS

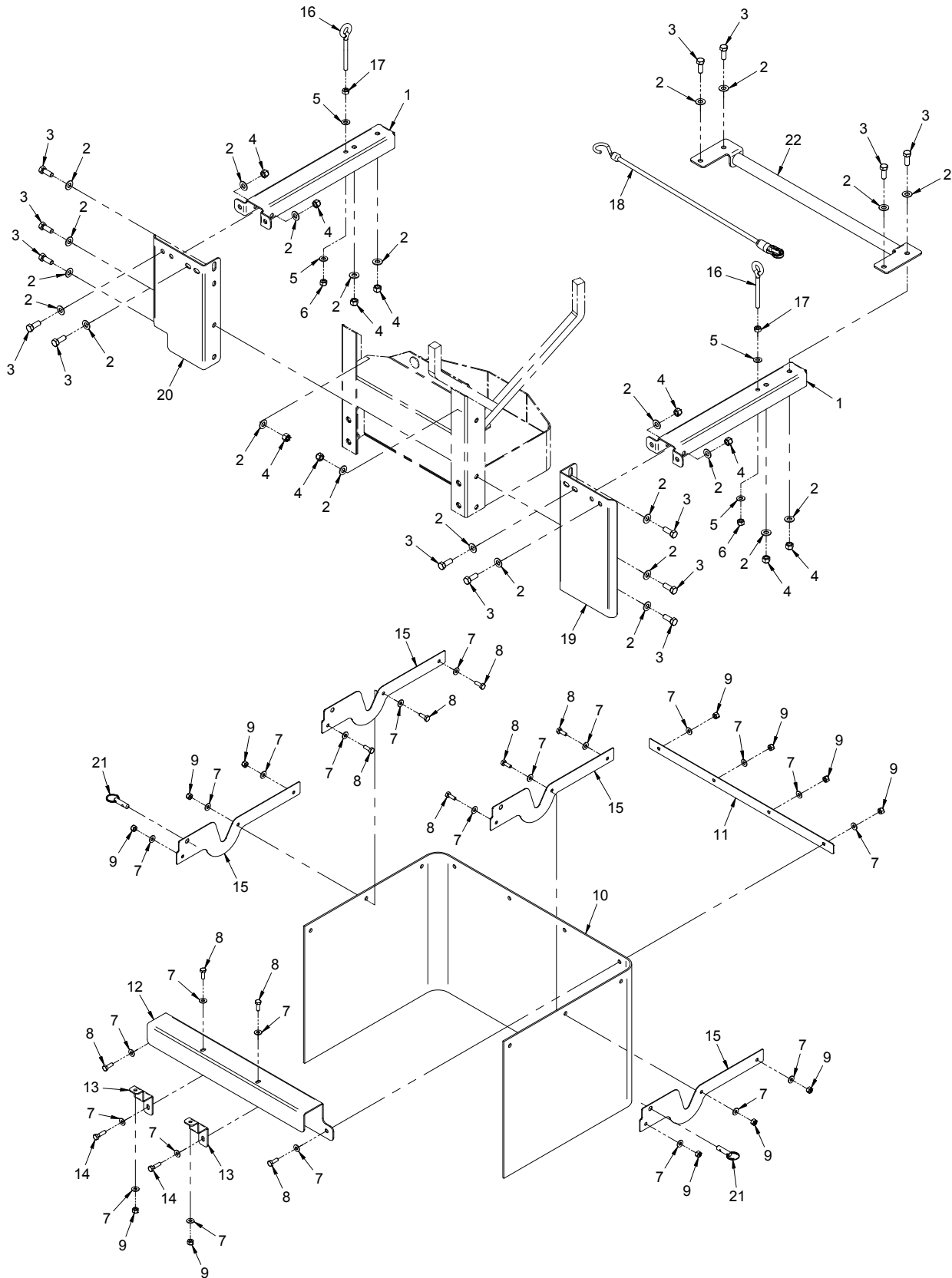
## SS575 Install 4500

REF.	PART NO.	DESCRIPTION	QTY.
1	62.1349	.FRAME, CONTROL BOX MOUNT	1
2	99.K0062	.MACHINE SCREW, #10-32 X 1/2	6
3	99.E0035	.NUT, SRF #10-32	7
4	64.1532	.BRACKET, GATE CABLE MOUNT	1
5	11.0053	.U-BOLT, 3/8-16 2-1/16 ID SQ	2
6	97.0616	.BOLT, CARRIAGE 3/8 X 2	2
7	64.1541	.BRACKET, FRAME MOUNT	1
8	99.E0082	.NUT, LOCKING FLANGE 3/8-16	4
9	64.1533	.BRACKET, FRAME CLAMP	1
10	47.0213	.KNOB, 4-ARM 3/8-16 THRU HOLE	2
11	64.1587	.BRACKET, CONTROL BOX MOUNT	1
12	64.1742	.BRACKET, CONTROL BOX MNT KW450	1
13	99.0404	.BOLT, 1/4-20 X 1/2 BSCS	2
14	99.SF04	.NUT, SRF 1/4-20 USS	4
15	11.0071	.CLAMP, CUSHIONED METAL 3/4"	1
16	99.SF0408	.BOLT, SRF 1/4 X 1 USS	1
17	62.1339	.HITCH, SS575	1
18	03.1024	.CLEVIS PIN, 5/8 X 3 OAL	1
19	02.HP0420	.HAIRPIN, 1/8 X 2-1/2	1
20	90.0810-3	.BOLT, 1/2-13 USS X 1-1/4 SS	4
21	95.08-3	.WASHER, FLAT 1/2 SAE SS	4
22	32.0127	.HARNESS, ADAPTER SS575	1
23^	30.0333	.FUSE, 10 AMP MINI RED	1
24^	30.0429	.BREAKER, CIRCUIT 25 AMP MINI	1
25^	30.0375	.FUSE, 60A J-CASE YELLOW	2
26^	30.0037	.TYTON TIE, #50 .18 X 8 BLACK	8
27^	30.0204	.TYTON TIE, #50 .190 X 12"	2
28^	30.0411	.VELCRO, CABLE TIE	10
29^	99.K0067	.MACHINE SCREW, #10-32 X 1-1/2	1

^ not pictured in drawing.

# PARTS

## ILLUSTRATED DRAWING SS575 Drop Curtain





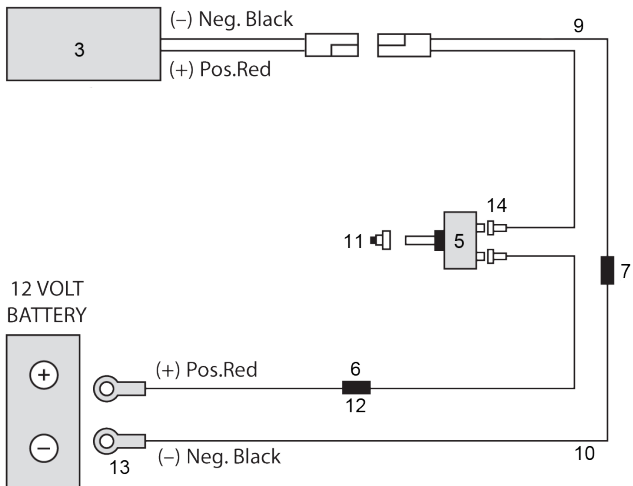
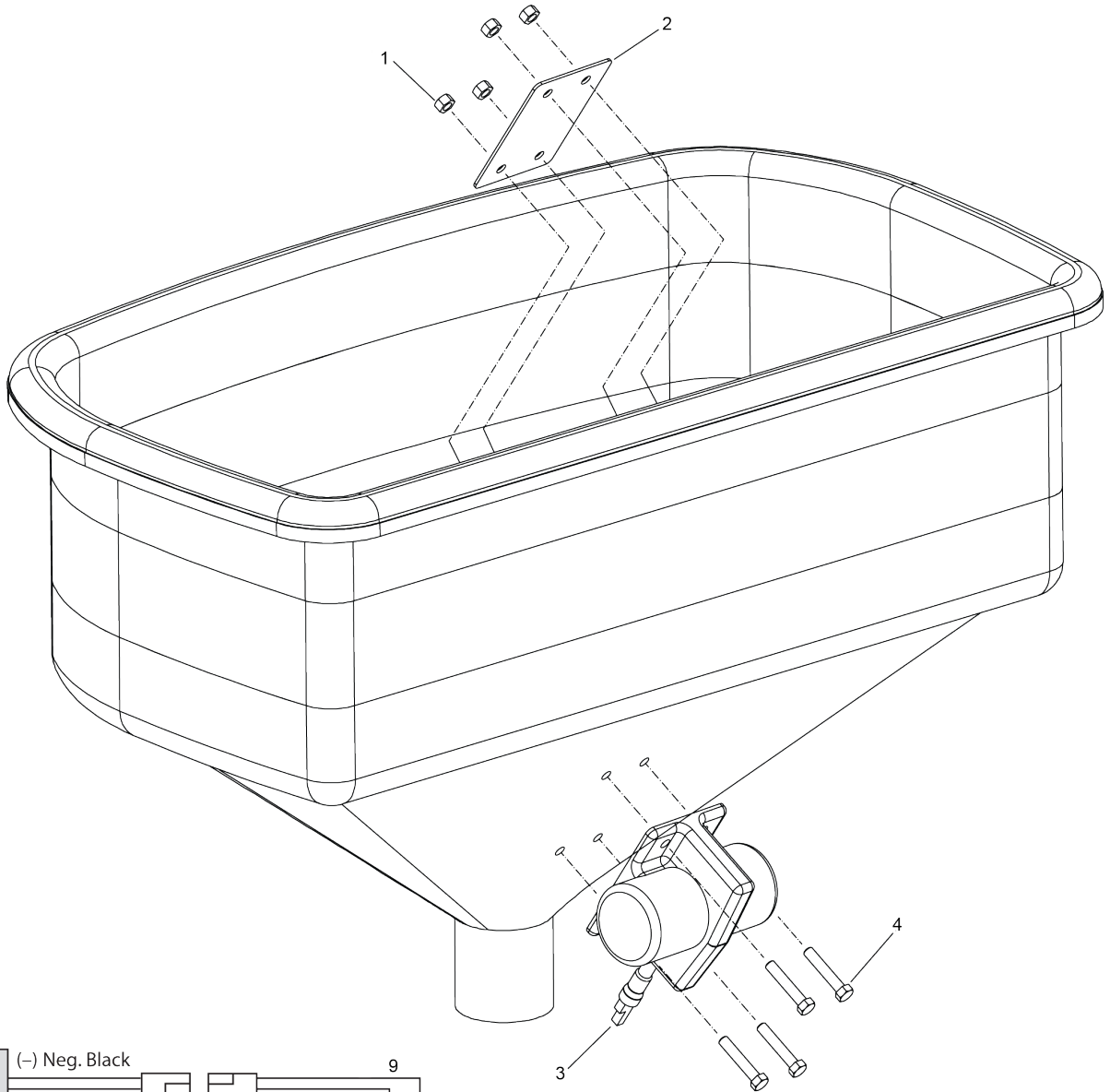
# PARTS

## SS575 Drop Curtain

REF.	PART NO.	DESCRIPTION	QTY.
1	64.1663	.HANGER, UNIVERSAL SIDE BELTING	2
2	95.06-3	.WASHER, FLAT 3/8 SAE SS	24
3	90.0608-3	.BOLT, 3/8-16 USS X 1 SS	14
4	99.A06N-3	.LOCKNUT, NYLON 3/8-16 SS	10
5	95.05-3	.WASHER, FLAT 5/16 SAE SS	4
6	99.A05N-3	.LOCKNUT, NYLON 5/16-18 SS	2
7	95.04-3	.WASHER, FLAT 1/4 SAE SS	24
8	90.0406-3	.BOLT, 1/4-20 USS X 3/4 SS	10
9	99.A04N-3	.LOCKNUT, NYLON 1/4-20 USS SS	12
10	44.0298	.BELTING, DROP CURTAIN	1
11	64.1544	.BRACKET, CURTAIN CLAMP	1
12	64.1667	.MOUNT, REAR BELTING	1
13	64.1666	.CLAMP, PIVOT TUBE	2
14	90.0408-3	.BOLT, 1/4-20 USS X 1 SS	2
15	64.1665	.MOUNT, SIDE DROP CURTAIN	4
16	99.K0122	.BOLT, EYE 5/16-18 X 3-1/2 SS	2
17	92.05-3	.NUT, 5/16-18 USS SS	2
18	47.0320	.STRAP, 22.5" OAL POLY BUNGEE	1
19	64.1662	.MOUNT, LH DROP CURTAIN	1
20	64.1661	.MOUNT, RH DROP CURTAIN	1
21	03.0017	.PIN, BALL 3/8 X .70 USEABLE SS	2
22	64.1664	.BRACE, REAR BELTING PIVOT	1

# PARTS

## ILLUSTRATED DRAWING 70.8120 Vibrator Kit



# PARTS

## 70.8120 Vibrator Kit

REF.	PART NO.	DESCRIPTION	QTY.
1	99.A06	.LOCKNUT, STOVER 3/8-16 USS	4
2	07.3D6579	.PLATE, VIBRATOR BACKING	1
3	07.3D6161	.VIBRATOR, DC-80	1
4	90.0616	.BOLT, 3/8-16 USS X 2	4
5	31.0034	.SWITCH, TOGGLE ON-OFF SPST	1
6	30.0333	.FUSE, 10 AMP MINI RED	1
7	30.0208	.CONNECTOR, BUTT 12-10GA YELLOW	1
8	15.0035	.GREASE, DIELECTRIC	1
9	07.3D6403	.HARNESS, UNIVERSAL 20'	1
10	07.3D6404	.HARNESS, BATTERY 10'	1
11	30.0157	.BOOT, TOGGLE SWITCH	1
12	07.3D6425	.FUSE HOLDER	1
13	30.0241	.TERMINAL, 1/2"RING 12-10GA INS	2
14	30.0227	.TERMINAL, .25 PUSHON F 12-10GA	2



# WARRANTY



## LIMITED WARRANTY - VENTRAC TURF EQUIPMENT

Venture Products, Inc. (shall be referred to as V.P.I.) warrants on the terms and conditions herein, that it will repair, replace, or adjust any part manufactured by Venture Products Inc. and found by Venture Products Inc. to be defective in material and / or workmanship.

Effective September 1<sup>st</sup> 2005, Ventrac warranty on power units & attachments (excluding the HG100/HG150 generator) for **residential use only** is limited to **three (3) years** from original purchase date. Ventrac power units & attachments used **commercially or for any income-producing purpose** is limited to **two (2) years** from original purchase date. Ventrac ET200 turbine blower (turbine only) is limited to **two (2) years** from original purchase date. Ventrac HG100/HG150 generator is limited to **one (1) year** from original purchase date. Ventrac power units & attachments used for **rental** is limited to **180 days** from original purchase date. (NOTE: All accessories such as: 3-point hitch, foot pedal, dual wheel kit, etc. will be covered under the above warranty periods as they would apply provided they are installed by an authorized Ventrac dealer.) This warranty may be transferred and will carry the remainder of the warranty starting from the original purchase/registration date with the dealership and/or V.P.I. In the event that product/s originally registered as **(3) year residential use** are to be transferred to a commercial user, the warranty would change to the remainder of **(2) year commercial use** starting from the original purchase/registration date with the dealership and/or V.P.I.

If this warranty covers a consumer product as defined by the Magnusson-Moss warranty act, no warranties, express or implied, (including, but not limited to, the warranty of merchantability or fitness for a particular purpose) shall extend beyond the applicable time period stated in bold face type above.

If this warranty covers a product used commercially or for any income producing purpose, the foregoing warranties are in lieu of all other warranties and no representations, guarantees or warranties, express or implied, (including, but not limited to, a warranty of merchantability or fitness for a particular purpose), are made by V.P.I. in connection with the manufacture or sale of its products.

The engine warranty is covered by its respective engine manufacturer. Please refer to the engine manufacturer's warranty statement that is included in the owner's manual.

The Ventrac turf equipment, including any defective parts, must be returned to an authorized Ventrac dealer within the warranty period. The warranty shall extend to the cost to repair or replace (as determined by V.P.I.) the defective part. **The expense of pickup and delivery of equipment, service call drive time or any transportation expense incurred for warranty repair is the sole responsibility of the owner and is not covered under warranty by Ventrac and/or V.P.I.** V.P.I.'s responsibility in respect to claims is limited to making the required repairs or replacements, and no claim of breach of warranty shall be cause for cancellation or rescission of the contract of sale of any Ventrac equipment. Proof of purchase may be required by the dealer to substantiate any warranty claim. Only warranty work performed and submitted by an authorized Ventrac dealer may be eligible for warranty credit.

This warranty extends only to Ventrac turf equipment operated under normal conditions and properly serviced and maintained. The warranty expressly does **not** cover: (a) any defects, damage or deterioration due to normal use, wear and tear, or exposure; (b) normal maintenance services, such as cleaning, lubrication, oil change; (c) replacement of service items, such as oil, lubricants, spark plugs, belts, rubber hoses or other items subject to normal service replacement; (d) damage or defects arising out of, or relating to abuse, misuse, neglect, alteration, negligence or accident; (e) repair or replacement arising from operation of, or use of the turf equipment which is not in accordance with operating instructions as specified in the operator's manual or other operational instructions provided by V.P.I.; (f) repair or replacement arising as a result of any operation from Ventrac turf equipment that has been altered or modified so as to, in the determination of V.P.I., adversely affect the operation, performance or durability of the equipment or that has altered, modified or affected the turf equipment so as to change the intended use of the product; (g) repair or replacement necessitated by the use of parts, accessories or supplies, including gasoline, oil or lubricants, incompatible with the turf

# WARRANTY

---



## LIMITED WARRANTY - VENTRAC TURF EQUIPMENT

equipment or other than as recommended in the operator's manual or other operational instructions provided by V.P.I.; (h) repairs or replacements resulting from parts or accessories which have adversely affected the operation, performance or durability of the turf equipment; or (i) damage or defects due to or arising out of repair of Ventrac turf equipment by person or persons other than an authorized Ventrac service dealer or the installation of parts other than genuine Ventrac parts or Ventrac recommended parts.

The sole liability of V.P.I. with respect to this warranty shall be repair and replacement as set forth herein. V.P.I. shall have no liability for any other cost, loss, or damage. In particular V.P.I. shall have no liability or responsibility for: (i) expenses relating to gasoline, oil, lubricants; (ii) loss, cost, or expense relating to transportation or delivery of turf equipment from the location of owner or location where used by owner to or from any authorized Ventrac dealer; (iii) travel time, overtime, after hours time or other extraordinary repair charges or charge relating to repairs or replacements outside of normal business hours at the place of business of an authorized Ventrac dealer; (iv) rental of like or similar replacement equipment during the period of any warranty repair or replacement work; (v) any telephone or telegram charges; (vi) loss or damage to person or property other than that covered by the terms of this warranty; (vii) any claims for lost revenue, lost profit or additional cost or expense incurred as a result of a claim of breach of warranty; or (viii) attorney's fees.

The remedies of buyer set forth herein are exclusive and are in lieu of all other remedies. The liability of V.P.I., whether in contract, tort, under any warranty, or otherwise, shall not extend beyond its obligation as set forth herein. V.P.I. shall not be liable for cost of removal or installation nor shall V.P.I. be responsible for any direct, indirect, special or consequential damages of any nature. In no event shall V.P.I. be liable for any sum in excess of the price received for the goods for which liability is claimed.

There are no representations or warranties which have been authorized to the buyer of the turf equipment other than set forth in this warranty. Any and all statements or representations made by any seller of this equipment, including those set forth in any sales literature or made orally by any sales representative, are superseded by the terms of this warranty. Any affirmation of fact or promise made by V.P.I. or any of its representatives to the buyer which relates to the goods that are the subject to this warranty shall not be regarded as part of the basis of the bargain and shall not be deemed to create any express warranty that such goods shall conform to the affirmation or promise.

No employee, distributor, or representative is authorized to change the foregoing warranties in any way or grant any other warranty on behalf of V.P.I.

Some states do not allow limitations on how long an implied warranty lasts or allow the exclusion on limitation of incidental or consequential damages, so the above limitation or exclusion may not apply to you.

This warranty gives you specific legal rights, and you may also have other rights which vary from state to state.

This warranty applies to all Ventrac turf equipment sold in the United States and Canada.