



**OPERATOR'S MANUAL
& PARTS DRAWINGS
CE**

**WEATHER CAB
MODEL LW450**





500 Venture Drive
PO Box 148
Orrville, OH 44667
www.ventrac.com

**To the Owner
Contact Information and Product Identification**

If you need to contact an authorized Ventrac dealer for information on servicing your product, always provide the product model and serial numbers.

Please fill in the following information for future reference. See the picture(s) below to find the location of the identification numbers. Record them in the spaces provided.

Date of Purchase: _____

Dealer: _____

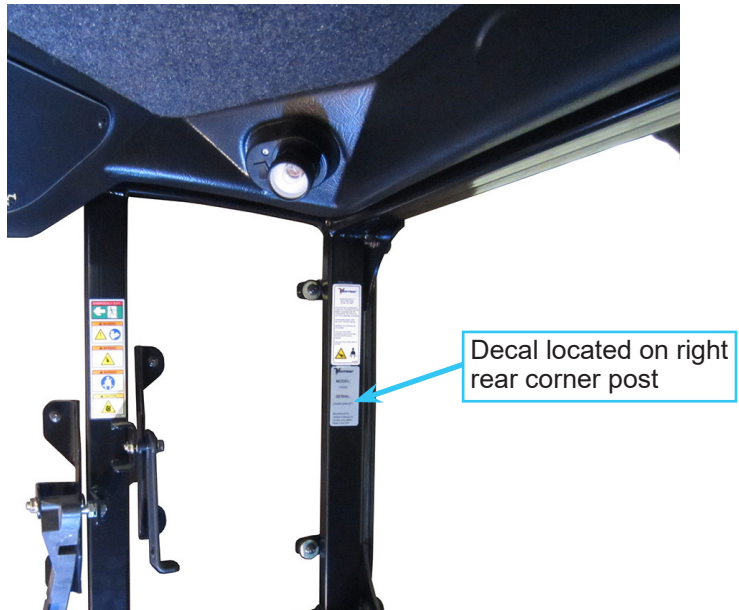
Dealer Address: _____

Dealer Phone Number: _____

Dealer Fax Number: _____

Model # (A): _____
Serial # (B): _____

Affix Part/Serial Number label here.



Venture Products Inc. reserves the right to make changes in design or specifications without obligation to make like changes on previously manufactured products.

TABLE OF CONTENTS

INTRODUCTION	PAGE 5
Product Description.....	5
Why Do I Need an Operator’s Manual?	5
Using Your Manual	6
Manual Glossary	6
SAFETY	PAGE 7
Safety Decals	7
General Safety Procedures.....	8
Training Required.....	8
Personal Protective Equipment Requirements	8
Operation Safety	8
Preventing Accidents.....	9
Keep Riders Off.....	9
Operating On Slopes.....	10
Roadway Safety	10
Truck Or Trailer Transport	10
Maintenance.....	11
Fuel Safety	11
Hydraulic Safety	12
Roll-Over Protective Structure	13
LW450 Safety Procedures	13
LW450 SETUP INSTRUCTIONS	PAGE 14
Identification of Parts.....	14
Setup Instructions for Power Unit & Weather Cab	16
OPERATIONAL CONTROLS	PAGE 21
Operational Control Locations.....	21
Outer Door Handle & Lock (A)	22
Inner Door Handle (B).....	22
Emergency Exit/Window Latch Handle (C).....	22
Rear Side Window Latch (D).....	22
Rear Work Light Switch (E).....	22
Front Work Light Switch (F)	22
Windshield Wiper Switch (G)	22
Strobe Beacon Switch (H).....	22
Fan Speed Switch (I).....	22
Temperature Control Dial (J).....	22
Hazard Flasher Light Switch (K)	22
Directional Turn Signal Switch (L).....	22
Interior Light & Switch (M).....	22
Defrost Fan & Switch (N)	22
Directional Heat Vents (O)	22
GENERAL OPERATION	PAGE 23
Daily Inspection.....	23
Using The Windshield Wiper In The Winter	23
Strobe Beacon	23

TABLE OF CONTENTS

SERVICE	PAGE 24
Cleaning and General Maintenance.....	24
Window Latch Adjustment.....	24
Wiper Blade Replacement	24
Door Latch Adjustment.....	24
Door Latch Lubrication	24
Interior Light Bulb Replacement.....	24
Work Light Bulb Replacement.....	25
Turn Signal Bulb Replacement	25
Strobe Beacon Bulb Replacement.....	25
Heater Air Filter Replacement.....	25
Fuse Replacement.....	25
Storage.....	26
SPECIFICATIONS	PAGE 28
Dimensions	28
Features	28
EC Declaration of Conformity.....	28
PARTS	PAGE 29
Electrical Diagram (32.0157 Wire Harness).....	29
Main Cab Frame Mount & Insert Panels.....	30
Cab Roof & Headliner Mount	32
Headliner Components	34
Fuse Panel & Wire Harness.....	36
Front & Rear Work Lights.....	38
Front Windshield & Windshield Wiper.....	40
Door Assembly	42
Left Rear Window.....	44
Rear Window.....	46
Right Rear Window	48
Right Escape Window & Lower Right Window.....	50
Front Bumper/Foot Cover & Floor Mats	52
Seat Belt.....	54
70.8145 Directional Light Kit	56
70.2006-3 Strobe Beacon Kit.....	58
70.2006-4 Mirror Kit	60
70.2006-6 Defrost Fan Kit.....	62
70.8106 Console Fan/Heater Kit.....	64
70.8144 Heater Install Kit For 3400Y	66
WARRANTY	PAGE 68

INTRODUCTION



Venture Products Inc. is pleased to provide you with your new Ventrac LW450 weather cab! We hope that Ventrac equipment will provide you with a ONE Tractor Solution.

Listed below are just some of the items that can provide you *versatility* as you use your LW450 weather cab. Please visit our website, or contact your authorized Ventrac dealer for a complete list of items available for your new LW450 weather cab.

Accessories	Item Description	Part Number
	Directional Light Kit	70.8145
	Strobe Beacon Kit	70.2006-3
	Mirror Kit	70.2006-4
	Defrost Fan Kit*	70.2006-6
	LW450 Console Fan/Heater Kit (Kubota engine)	70.2012-51

*Defrost fan kit is not available in Europe.

Product Description

The Ventrac LW450 weather cab is designed for the sole purpose of sheltering the operator from the weather while providing superior visibility. Standard features include a front windshield wiper, front and rear LED work lights, a large left-side entry door, and a right-side emergency exit.

Optional accessories include a strobe light, directional lights, mirrors, defrost fan, and a heater kit. Refer to your national and/or local regulations for lighting requirements specific to your intended application.

Why Do I Need an Operator's Manual?

This manual has been created to help you gain the important knowledge of what is needed to safely operate, maintain, and service your machine. It is divided into sections for convenient reference of the appropriate section.

You must read and understand the operator's manual for each piece of Ventrac equipment you own. Reading the operator's manual will help you become familiar with each specific piece of equipment. Understanding the operator's manual will help you, as well as others, avoid personal injury and/or damage to the equipment. Keep this manual with the machine at all times. The manual should remain with the machine even if it is sold. If this manual becomes damaged or unreadable, it should be replaced immediately. Contact your local Ventrac dealer for a replacement.

When using a Ventrac attachment, be sure to read and follow the safety and operating instructions of both the power unit and the attachment being used to ensure the safest operation possible.

The information in this manual provides the operator with the safest procedures to operate the machine while getting the maximum use out of the unit. Failure to follow the safety precautions listed in this manual may result in personal injury and/or damage to the equipment.

INTRODUCTION

Using Your Manual

Throughout this manual, you will encounter special messages and symbols that identify potential safety concerns to help you as well as others avoid personal injury or damage to the equipment.

SYMBOL DEFINITIONS



ATTENTION

This symbol identifies potential health and safety hazards. It marks safety precautions. Your safety and the safety of others is involved.

There are three signal words that describe the level of safety concern: Danger, Warning, and Caution. Safety should always be the #1 priority when working on or operating equipment. Accidents are more likely to occur when proper operating procedures are not followed or inexperienced operators are involved.

Note: Right-Hand and Left-Hand orientations may be referred to at different places throughout this manual. Right-Hand and Left-Hand is determined as if sitting on the power unit seat facing forward.

SIGNAL WORD DEFINITIONS

⚠ DANGER

Indicates an imminently hazardous situation which, if not avoided, will result in death or serious injury. This signal word is limited to the most extreme cases.

⚠ WARNING

Indicates a potentially hazardous situation which, if not avoided, could result in death or serious injury.

⚠ CAUTION

Indicates a potentially hazardous situation which, if not avoided, may result in minor or moderate injury and/or property damage. It may also be used to alert against unsafe practices.

Manual Glossary

Power Unit A Ventrac tractor or other Ventrac engine powered device that may be operated by itself or with an attachment or accessory.

Attachment A piece of Ventrac equipment that requires a Power Unit for operation.

Accessory A device that attaches to a Power Unit or Attachment to extend its capabilities.

Machine Describes any "Attachment" or "Accessory" that is used in conjunction with a power unit.

SAFETY

Safety Decals

The following safety decals must be maintained on your LW450 weather cab.

Keep all safety decals legible. Remove all grease, dirt, and debris from safety decals and instructional labels. If any decals are faded, illegible, or missing, contact your dealer promptly for replacements.

When new components are installed, be sure that current safety decals are affixed to the replacement components.



1

EMERGENCY EXIT

WARNING

WARNING

WARNING

CAUTION

00.0396-1

A

WARNING

2 Maximum Lifting Capacity 500 lbs (227 kg)
For use ONLY with Ventrac Tractor 3000 or 4000 series cab.

Do not use if any part of this lifting sling is damaged or worn.

00.0396-3

Front Work Lights 5 A	Rear Work Lights 5 A
Wiper / Washer 10 A	Interior Light Defrost Fan 10 A
Strobe 5 A	Directionals 5 A
Heater 15 A	

00.0396-2



B

Venture Products, Inc
500 Venture Drive
Orrville, OH 44667

This ROPS was manufactured by Jodale Perry Corporation and was tested in accordance with ISO 21299 (ROPS), ISO 3776-2 and ISO 3776-3 (Seat Belt Anchorage).

Vehicle Model: Ventrac 3400
Max GVW: 2750 lbs (1250 kg)

Alterations to this structure are not permitted.

If any part of this ROPS experiences structural damage, the entire ROPS must be replaced.

This decal must be kept intact at all times.

00.0408

Decal	Description	Part Number	Quantity
A	Warning, LW450	00.0396	1
B	Decal, ROPS Certification	00.0408	1

SAFETY



General Safety Procedures for Ventrac Power Units, Attachments, & Accessories



Training Required

- The owner of this machine is solely responsible for properly training the operators.
- The owner/operator is solely responsible for the operation of this machine and prevention of accidents or injuries occurring to him/herself, other people, or property.
- Do not allow operation or service by children or untrained personnel. Local regulations may restrict the age of the operator.
- Before operating this machine, read the operator's manual and understand its contents.
- If the operator of the machine cannot understand this manual, then it is the responsibility of this machine's owner to fully explain the material within this manual to the operator.
- Learn and understand the use of all controls.
- Know how to stop the power unit and all attachments quickly in the event of an emergency.



Personal Protective Equipment Requirements

It is the responsibility of the owner to be sure that the operators use the proper personal protective equipment while operating the machine. Required personal protective equipment includes, but is not limited to, the following list.



- Wear a certified ear protection device to prevent loss of hearing.
- Prevent eye injury by wearing safety glasses while operating the machine.
- Closed toe shoes must be worn at all times.
- Long pants must be worn at all times.
- When operating in dusty conditions, it is recommended that a dust mask be worn.

Operation Safety

- Inspect machine before operation. Repair or replace any damaged, worn, or missing parts. Be sure guards and shields are in proper working condition and are secured in place. Make all necessary adjustments before operating machine.
- Some pictures in this manual may show shields or covers opened or removed in order to clearly illustrate any instructions. Under no circumstance should the machine be operated without these devices in place.
- Alterations or modifications to this machine can reduce safety and could cause damage to the machine. Do not alter safety devices or operate with shields or covers removed.
- Before each use, verify that all controls function properly and inspect all safety devices. Do not operate if controls or safety devices are not in proper working condition.
- Check parking brake function before operating. Repair or adjust parking brake if necessary.
- Observe and follow all safety decals.
- All controls are to be operated from the operator's station only.
- Always wear a seat belt if the machine has a roll cage/bar installed and in upright position.
- Ensure the attachment or accessory is locked or fastened securely to the power unit before operating.
- Ensure that all bystanders are clear of the power unit and attachment before operating. Stop machine if someone enters your work area.
- Always be alert to what is happening around you, but do not lose focus on the task you are performing. Always look in the direction the machine is moving.
- Look behind and down before backing up to be sure of a clear path.
- If you hit an object, stop and inspect the machine. Make all necessary repairs before operating machine again.
- Stop operation immediately at any sign of equipment failure. An unusual noise can be a warning of equipment failure or a sign that maintenance is required. Make all necessary repairs before operating machine again.

SAFETY



General Safety Procedures for Ventrac Power Units, Attachments, & Accessories



Operation Safety (continued)

- If equipped with a high/low range feature, never shift between high and low range while on a slope. Always move the machine to level ground and engage the parking brake before shifting range.
- Do not leave machine unattended while it is running.
- Always park the machine on level ground.
- Always shut off engine when connecting attachment drive belt to the power unit.
- Never leave the operator's station without lowering the attachment to the ground, setting the parking brake, shutting off the engine, and removing the ignition key. Make sure all moving parts have come to a complete stop before dismounting.
- Never leave equipment unattended without lowering the attachment to the ground, setting the parking brake, shutting off the engine, and removing the ignition key.
- Only operate in well-lit conditions.
- Do not operate when there is a risk of lightning.
- Never direct the discharge of any attachment in the direction of people, buildings, animals, vehicles, or other objects of value.
- Never discharge material against a wall or obstruction. Material may ricochet back towards the operator.
- Use extra caution when approaching blind corners, shrubs, trees, or other objects that may obscure vision.
- Do not run the engine in a building without adequate ventilation.
- Do not touch the engine or the muffler while the engine is running or immediately after stopping the engine. These areas may be hot enough to cause a burn.
- Do not change the engine governor settings or over-speed the engine. Operating engine at excessive speed may increase the hazard of personal injury.
- To reduce the hazard of fire, keep the battery compartment, engine, and muffler areas free of grass, leaves, excessive grease, and other flammable materials.

Preventing Accidents



- Clear working area of objects that might be hit or thrown from machine.
- Keep people and pets out of working area.
- Know the work area well before operation. Do not operate where traction or stability is questionable.
- Reduce speed when you are operating over rough ground.
- Equipment can cause serious injury and/or death when improperly used. Before operating, know and understand the operation and safety of the power unit and the attachment being used.
- Do not operate machine if you are not in good physical and mental health, if you will be distracted by personal devices, or are under the influence of any substance which might impair decision, dexterity, or judgment.
- Children are attracted to machine activity. Be aware of children and do not allow them in the working area. Turn off the machine if a child enters the work area.



Keep Riders Off

- Only allow the operator on the power unit. Keep riders off.
- Never allow riders on any attachment or accessory.

SAFETY

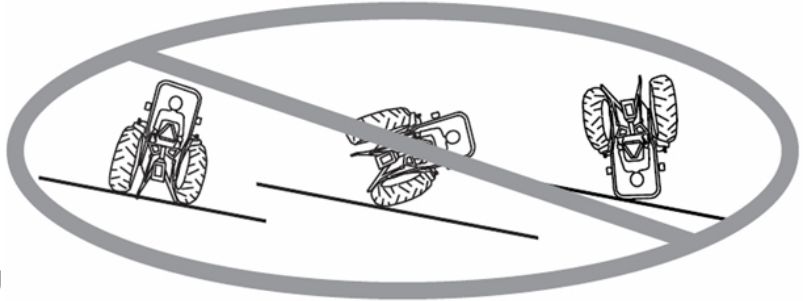


General Safety Procedures for Ventrac Power Units, Attachments, & Accessories



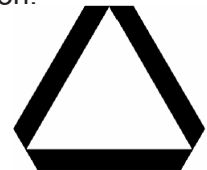
Operating On Slopes

- Slopes can cause loss-of-control and tip-over accidents, which can result in severe injury or death. Be familiar with the emergency parking brake, along with the power unit controls and their functions.
- If power unit is equipped with a fold down roll bar, it must be locked in the upright position when operating on any slope.
- Use low range (if equipped) when operating on slopes greater than 15 degrees.
- Do not stop or start suddenly when operating on slopes.
- Never shift between high and low range while on a slope. Always move the power unit to level ground and engage the parking brake before shifting range or placing the power unit in neutral.
- Variables such as wet surface and loose ground will reduce the degree of safety. Do not drive where machine could lose traction or tip over.
- Keep alert for hidden hazards in the terrain.
- Stay away from drop-offs, ditches, and embankments.
- Sharp turns should be avoided when operating on slopes.
- Pulling loads on hills decreases safety. It is the responsibility of the owner/operator to determine loads that can safely be controlled on slopes.
- Transport machine with attachment lowered or close to the ground to improve stability.
- While operating on slopes, drive in an up and down direction when possible. If turning is necessary while driving across slopes, reduce speed and turn slowly in the downhill direction.
- Assure a sufficient supply of fuel for continuous operation. A minimum of one-half tank of fuel is recommended.



Roadway Safety

- Operate with safety lights when operating on or near roadways.
- Obey all state and local laws concerning operation on roadways.
- Slow down and be careful of traffic when operating near or crossing roadways. Stop before crossing roads or sidewalks. Use care when approaching areas or objects that may obscure vision.
- If there is doubt of safety conditions, discontinue machine operation until a time when operation can be performed safely.
- When operating near or on roadways, have a Slow Moving Vehicle Emblem clearly displayed.



Truck Or Trailer Transport

- Use care when loading or unloading machine into a truck or trailer.
- Use full width ramps for loading machine into a truck or trailer.
- The parking brake is not sufficient to lock the machine during transport. Always secure the power unit and/or attachment to the transporting vehicle securely using straps, chains, cable, or ropes. Both front and rear straps should be directed down and outward from the machine.
- Shut off fuel supply to power unit during transport on truck or trailer.
- If equipped, turn the battery disconnect switch to the Off position to shut off electrical power.

SAFETY



General Safety Procedures for Ventrac Power Units, Attachments, & Accessories



Maintenance

- Keep all safety decals legible. Remove all grease dirt, and debris from safety decals and instructional labels.
- If any decals are faded, illegible, or missing, contact your dealer promptly for replacements.
- When new components are installed, be sure that current safety decals are affixed to the replacement components.
- If any component requires replacement, use only original Ventrac replacement parts.
- Always turn the battery disconnect to the Off position or disconnect the battery before performing any repairs. Disconnect the negative terminal first and the positive terminal last. Reconnect the positive terminal first and the negative terminal last.
- Keep all bolts, nuts, screws, and other fasteners properly tightened.
- Always lower the attachment to the ground, engage parking brake, shut off engine, and remove the ignition key. Make sure all moving parts have come to a complete stop before cleaning, inspection, adjusting or repairing.
- If the power unit, attachment, or accessory requires repairs or adjustments not instructed in the operator's manual, the power unit, attachment, or accessory must be taken to an authorized Ventrac dealer for service.
- Never perform maintenance on the power unit and/or attachment if someone is in the operator's station.
- Always use protective glasses when handling the battery.
- Check all fuel lines for tightness and wear on a regular basis. Tighten or repair them as needed.
- To reduce the hazard of fire, keep the battery compartment, engine, and muffler areas free of grass, leaves, and excessive grease.
- Do not touch the engine, the muffler, or other exhaust components while the engine is running or immediately after stopping the engine. These areas may be hot enough to cause a burn.
- Allow the engine to cool before storing and do not store near an open flame.
- Do not change the engine governor settings or over-speed the engine. Operating engine at excessive speed may increase the hazard of personal injury.
- Springs may contain stored energy. Use caution when disengaging or removing springs and/or spring loaded components.
- An obstruction or blockage in a drive system or moving/rotating parts may cause a buildup of stored energy. When the obstruction or blockage is removed, the drive system or moving/rotating parts may move suddenly. Do not attempt to remove an obstruction or blockage with your hands. Keep hands, feet, and clothing away from all power-driven parts.
- Dispose of all fluids in accordance with local laws.

Fuel Safety



- To avoid personal injury or property damage, use extreme care in handling gasoline. Gasoline is extremely flammable and the vapors are explosive.
- Do not refuel machine while smoking or at a location near flames or sparks.
- Always refuel the machine outdoors.
- Do not store machine or fuel container indoors where fumes or fuel can reach an open flame, spark, or pilot light.
- Only store fuel in an approved container. Keep out of reach of children.
- Never fill containers inside a vehicle or on a truck or trailer bed with a plastic liner. Always place containers on the ground away from your vehicle before filling.
- Remove machine from the truck or trailer and refuel it on the ground. If this is not possible, refuel the machine using a portable container, rather than from a fuel dispenser nozzle.
- Never remove fuel cap or add fuel with the engine running. Allow engine to cool before refueling.
- Never remove fuel cap while on a slope. Only remove when parked on a level surface.
- Replace all fuel tank and container caps securely.

SAFETY



General Safety Procedures for Ventrac Power Units, Attachments, & Accessories



Fuel Safety (continued)

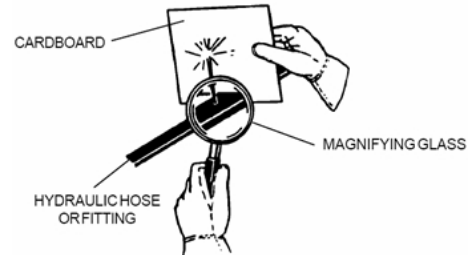
- Do not overfill fuel tank. Only fill to bottom of fuel neck, do not fill fuel neck full. Overfilling of fuel tank could result in engine flooding, fuel leakage from the tank, and/or damage to the emissions control system.
- If fuel is spilled, do not attempt to start the engine. Move the power unit away from the fuel spill and avoid creating any source of ignition until fuel vapors have dissipated.
- If the fuel tank must be drained, it should be drained outdoors into an approved container.
- Dispose of all fluids in accordance with local laws.
- Check all fuel lines for tightness and wear on a regular basis. Tighten or repair them as needed.
- The fuel system is equipped with a shut-off valve. Shut off the fuel when transporting the machine to and from the job, when parking the machine indoors, or when servicing the fuel system.

Hydraulic Safety

- Make sure all hydraulic connections are tight and all hydraulic hoses and tubes are in good condition. Repair any leaks and replace any damaged or deteriorated hoses or tubes before starting the machine.
- Hydraulic leaks can occur under high pressure. Hydraulic leaks require special care and attention.
- Use a piece of cardboard and a magnifying glass to locate suspected hydraulic leaks.



- Keep body and hands away from pinhole leaks or nozzles that eject high pressure hydraulic fluid. Hydraulic fluid escaping under high pressure can penetrate the skin causing serious injury, leading to severe complications and/or secondary infections if left untreated. If hydraulic fluid is injected into the skin, seek immediate medical attention no matter how minor the injury appears.



- Hydraulic system may contain stored energy. Before performing maintenance or repairs on the hydraulic system, remove attachments, engage parking brake, disengage weight transfer system (if equipped), shut off engine, and remove ignition key. To relieve pressure on the auxiliary hydraulic system, shut off the power unit engine and move the hydraulic control lever left and right before disconnecting the auxiliary hydraulic quick couplers.
- Dispose of all fluids in accordance with local laws.

SAFETY



LW450 Safety Procedures



WARNING

10 degree maximum angle of operation of power unit with weather cab installed.

CAUTION

Do not exceed 30 amp draw to weather cab and additional accessories.

- The cab door must be closed and latched during operation of power unit and LW450 weather cab.
- Window latches must be locked in either the closed or open position during operation of power unit and LW450 weather cab.
- Do not place any part of your body outside of the cab (through windows, door, or any other opening) during operation of power unit and LW450 weather cab.
- The LW450 weather cab is equipped with an emergency exit (the right side front window). Learn to use the emergency exit prior to operating the power unit and LW450 weather cab. Refer to the General Operation section of this manual for instructions on using the emergency exit.
- Inspect the LW450 weather cab after striking any foreign object to assure that all cab parts are safe, secure, and undamaged. Make all necessary repairs before proceeding.
- Do not modify or alter the LW450 weather cab, or any of its components or operating functions.

Roll-Over Protective Structure

Your LW450 weather cab is equipped with a Roll-Over Protective Structure (ROPS).

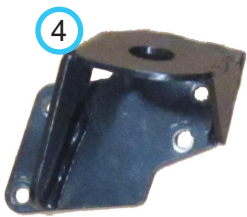
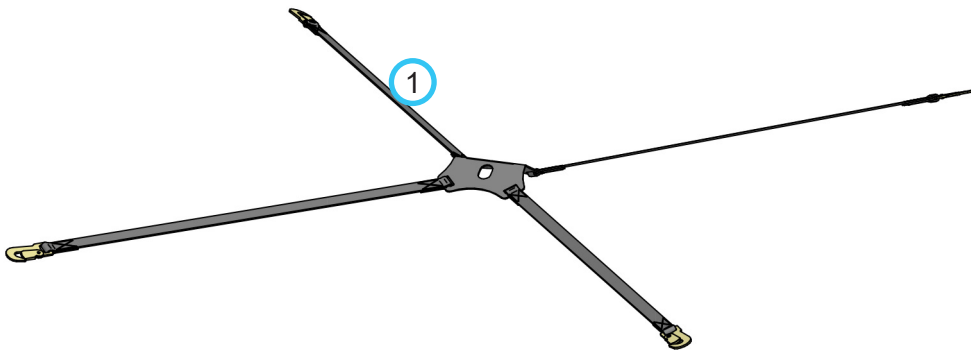
- Certified seat belt anchor: ISO 3776-2 & ISO 3776-3.
- Certified ROPS: ISO 21299 = maximum GVW of 2,750 pounds (1,250 kg).
 - Always wear the seat belt during operation. Never jump from the power unit.
 - If damaged, the ROPS or seat belt must be replaced before operation.

WARNING

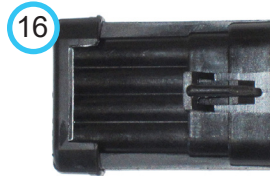
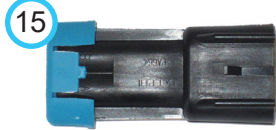
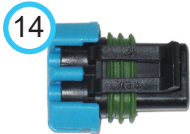
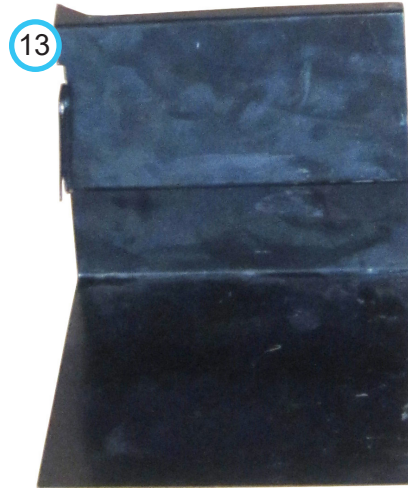
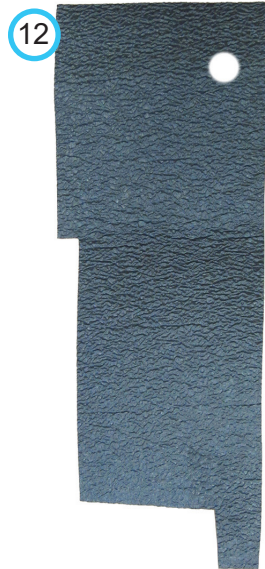
Alterations or modifications to this machine can reduce safety and could cause damage to the machine. Do not alter safety devices or operate with shields or covers removed.

LW450 SETUP INSTRUCTIONS

Identification of Parts



LW450 SETUP INSTRUCTIONS



Parts List		
Ref.	Name	Qty.
1	Sling, 4 Point Assy LW450	1
2	Seat Belt, Lap W/Buckle	1
3	Rod, Spacer Seat Belt Bkt	1
4	Mount, Left Rear Cab	1
5	Mount, Right Rear Cab	1
6	Panel, Right Frame Insert	1
7	Bracket, Left Seat Belt	1
8	Bracket, Right Seat Belt	1
9	Breaker, Circuit 30 Amp Mini	1
10	Washer, Fender 9/16 ID x 2-1/2 OD	2
11	Mat, Left Floor	1
12	Mat, Right Floor	1
13	Panel, Left Frame Insert	1
14	Cap, for 2 Position MP280 Male Connector	1
15	Cap, for 2 Position MP280 Female Connector	1
16	Cap, for 4 Position MP150 Female Connector	1

Hardware List (not pictured)		
Part #	Name	Qty.
30.0037	Tyton Tie, #50 .18 x 8	3
90.0708	Bolt, 7/16-14 USS x 1	2
90.0808	Bolt, 1/2-13 USS x 1	2
90.0812	Bolt, 1/2-13 USS x 1-1/2	2
95.04	Washer, Flat 1/4 SAE	8
95.06	Washer, Flat 3/8 SAE	14
95.07	Washer, Flat 7/16 SAE	4
95.08	Washer, Flat 1/2 SAE	6
99.A07	Locknut, Stover 7/16-14 USS	2
99.SF04	Nut, SRF 1/4-20 USS	8
99.SF0406	Bolt, SRF 1/4-20 x 3/4	8
99.SF0408	Bolt, SRF 1/4-20 x 1	4
99.SF06	Nut, SRF 3/8-16 USS	14
99.SF0608	Bolt, SRF 3/8-16 x 1	14

LW450 SETUP INSTRUCTIONS

Setup Instructions for Power Unit & Weather Cab

Installation Time (estimated)

3.0 hours

⚠ WARNING

Before making repairs or adjustment, set the parking brake, turn off engine, and remove ignition key. Always disconnect the negative battery cable from the battery when working with electrical components. Always work in a manner that does not put safety at risk!

⚠ WARNING

Safety glasses must be worn during installation. Ear (hearing) protection must be worn when using air or power tools.

⚠ WARNING

Use only the LW450 lift sling attached at all four lift points to lift the cab. Never walk or stand beneath the cab when it is raised off the ground.

Unless specified otherwise, use the bolt torque specifications listed below for all bolts used during setup and installation of the weather cab.

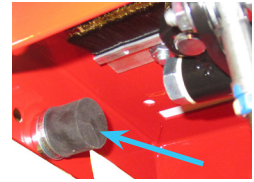
Bolt Torque Specifications

Bolt Size	Torque (English)	Torque (Metric)
1/4-20	100 in-lbs.	11.5 Nm
3/8-16	31 ft-lbs.	42 Nm
7/16-14	50 ft.lbs	68 Nm
1/2-13	75 ft.lbs	102 Nm

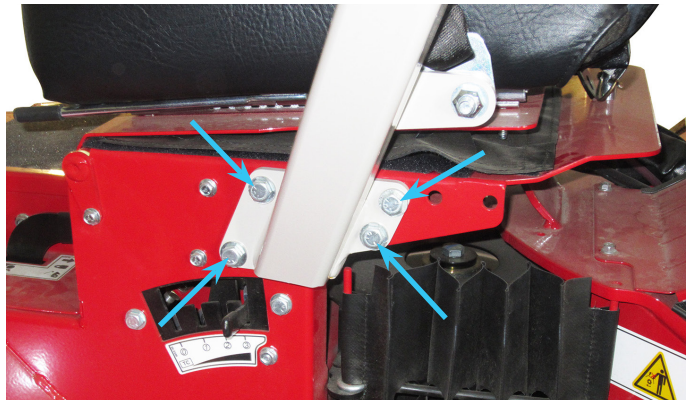
Prior to beginning weather cab installation, install any accessory kits onto the cab. Reinstall the roof cover when complete.

1. Park the power unit on a level surface.
2. Shut off the power unit's engine, engage the parking brake, and remove the key from the ignition.
3. Turn the battery disconnect switch to the Off position.
4. Remove the SDLA access cover from the power unit.
5. Remove the canvas cover from underneath the power unit's seat.

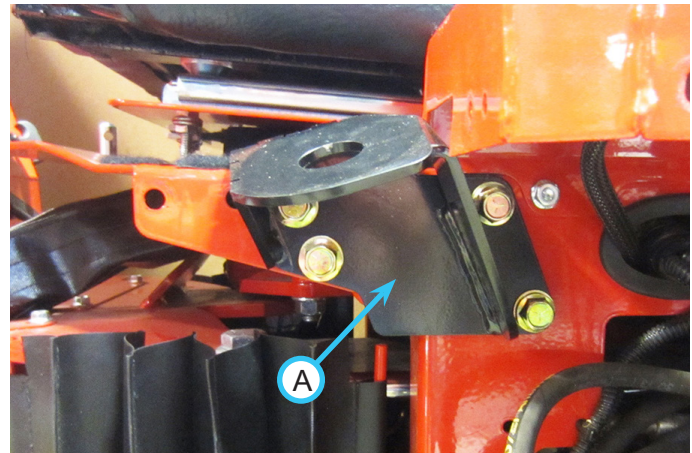
6. Remove the rubber bumper from the rear flange of the side dash panel.
7. If the ROPS bar is equipped with any light kits, disconnect the harness(es) underneath the power unit seat. Plug the power unit's connectors with the provided caps.



8. Remove the ROPS bar from the power unit. Use a hoist to support the ROPS bar while removing the 8) bolts that fasten the left and right posts to the power unit frame. After removal, store the ROPS bar for reuse if the weather cab is removed.

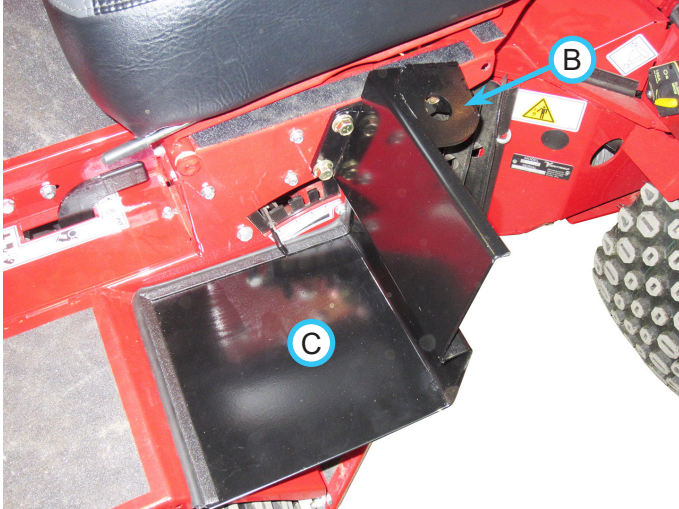


9. Install the right rear cab mount (A) onto the power unit frame using 4) 3/8 x 1" flange bolts, flat washers, and flange nuts. Tighten by hand until finger tight.



LW450 SETUP INSTRUCTIONS

10. Install the left rear cab mount (B) onto the power unit frame using 4) 3/8 x 1" flange bolts, flat washers, and flange nuts. Install the left frame insert panel (C) using the two front holes on the cab mount. Tighten by hand until finger tight.



11. Unfasten the weather cab from the crate skid.
12. Attach the lift sling to a hoist and position above the weather cab. Clip the 4) lift sling hooks to the lift points at each corner of the cab. Position the rear straps to go around the back of the cab roof in line with the air vent covers.



Lift point decals are located at each lift point for easy identification.

13. Lift the weather cab and check to see if the cab will clear the power unit steering column and seat. If the hoist will not lift high enough to clear the seat, remove the seat from the seat plate before proceeding. If the cab will not clear the steering column, tilt the steering column back as far as possible and rotate the back panel of the cab up while moving the back of the cab over the steering column and into position.

14. Lift the weather cab and position it over the power unit.

⚠ WARNING

Use only the LW450 lift sling attached at all four lift points to lift the cab.

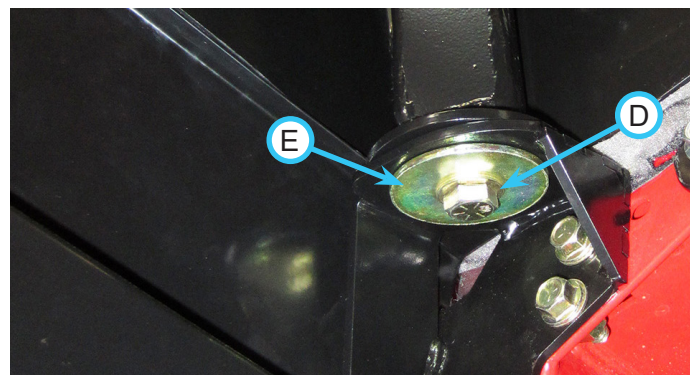
Never walk or stand beneath the cab when it is raised off the ground.



15. Lower the weather cab onto the power unit. The front angles of the cab sit over the bend in the power unit frame.

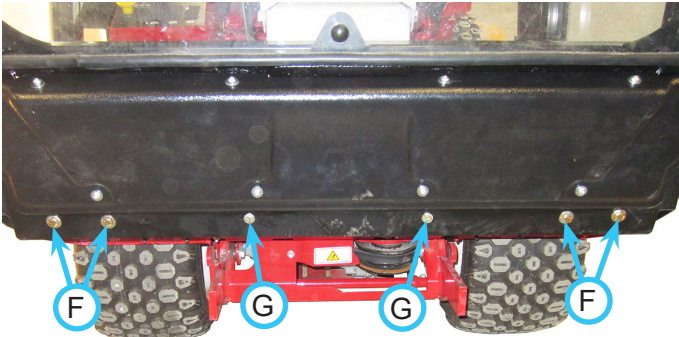


16. Place a 1/2" flat washer (D) and a 1/2" fender washer (E) onto a 1/2 x 1-1/2" bolt and install up through the left rear cab mount into the left rear cab mounting post. Do not tighten.

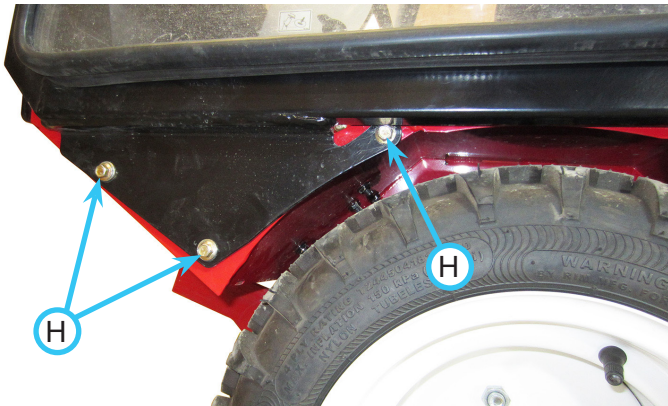


LW450 SETUP INSTRUCTIONS

17. Place a 1/2" flat washer and a 1/2" fender washer onto a 1/2 x 1-1/2" bolt and install up through the right rear cab mount into the right rear cab mounting post. Do not tighten.
18. Fasten the front of the weather cab to the front flange of the power unit using 4) 3/8 x 1" flange bolts (F), flat washers, and flange nuts in the 4) outer holes (2 on each side) and 2) 1/4 x 3/4" flange bolts (G), flat washers, and flange nuts in the 2) inner holes. Do not tighten.



19. Fasten the left side of the weather cab to the power unit using 3) 1/4 x 3/4" flange bolts (H), flat washers, and flange nuts. Do not tighten.

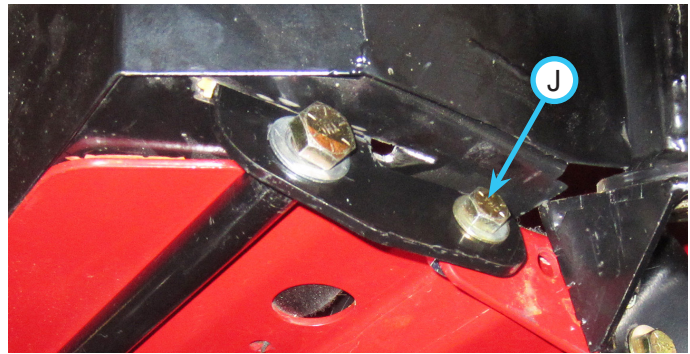


20. Fasten the right side of the weather cab to the power unit using 3) 1/4 x 3/4" flange bolts, flat washers, and flange nuts. Do not tighten.
21. Once all mounting bolts have been installed, tighten the bolts that fasten the front of the cab to the front flange of the power unit.
22. Tighten the mounting bolts that fasten the left and right sides of the cab to the power unit.
23. Tighten the 1/2" bolts that fasten the rear cab mounts to the rear cab mounting posts.
24. Tighten the 3/8" bolts that fasten the rear cab mounts to the power unit.

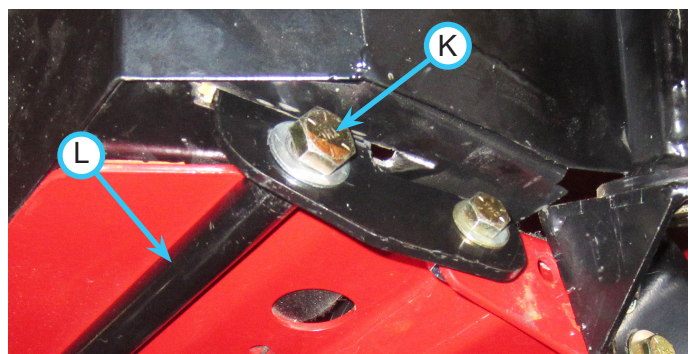
25. Insert the left seat belt mount up through the slot in the cab frame. Fasten the seat belt mount to the power unit frame using a 3/8 x 1" flange bolt (I), a flat washer, and a flange nut. Do not tighten.



26. Insert the right seat belt mount up through the slot in the cab frame. Fasten the seat belt mount to the power unit frame using a 3/8 x 1" flange bolt (J), a flat washer, and a flange nut. Do not tighten.

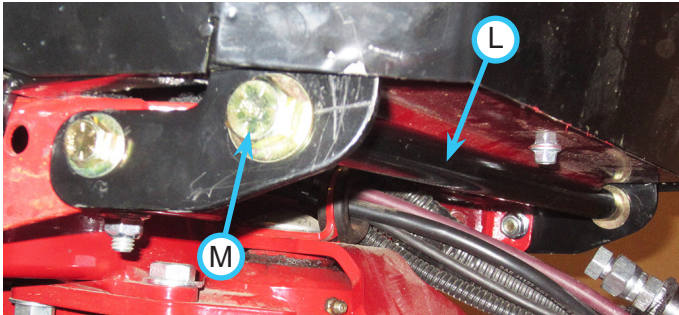


27. Hold the seat belt bracket spacer rod in place between the seat belt brackets and determine the amount of spacer washers that will be needed on each side of the rod.
28. Place a 1/2" flat washer onto a 1/2 x 1" bolt (K). Insert the bolt through the rear hole in the right seat belt bracket, place the required number of 1/2" flat washers onto the bolt, and thread into the end of the spacer rod (L). Do not tighten.

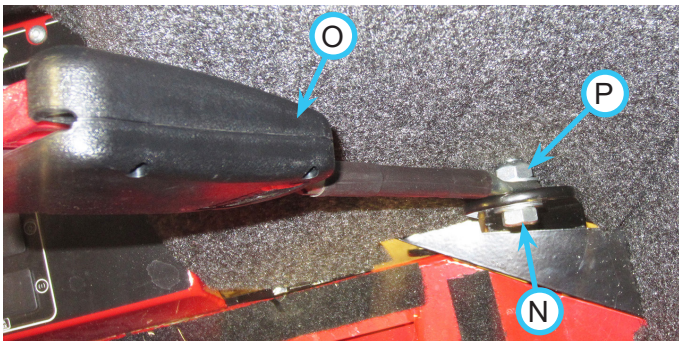


LW450 SETUP INSTRUCTIONS

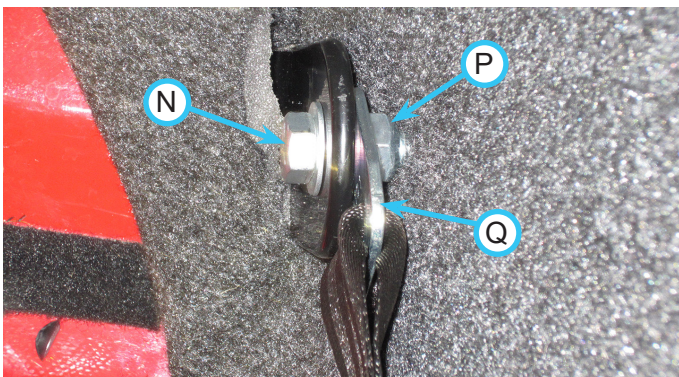
29. Place a 1/2" flat washer onto a 1/2 x 1" bolt (M). Insert the bolt through the rear hole in the left seat belt bracket, place the required number of 1/2" flat washers onto the bolt, and thread into the end of the spacer rod (L).



30. Tighten the 1/2" bolts that fasten the seat belt brackets to the spacer rod.
31. Tighten the 3/8" bolts that fasten the seat belt brackets to the power unit frame.
32. Place a 7/16" flat washer onto a 7/16 x 1" bolt (N) and insert out through the mounting hole in the right seat belt bracket. Install the seat belt latch (O) onto the outside of the bracket and fasten with a 7/16" flat washer and a 7/16" lock nut (P). Tighten until snug.

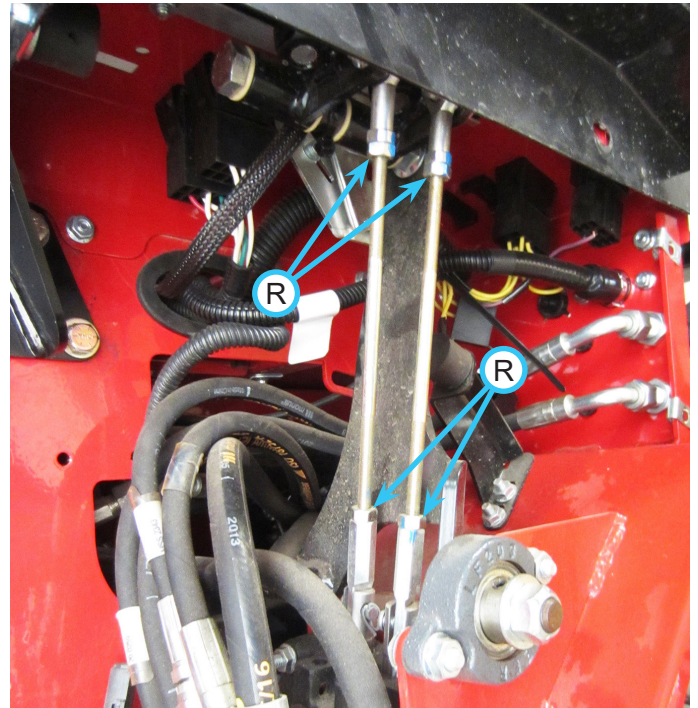


33. Place a 7/16" flat washer onto a 7/16 x 1" bolt (N) and insert out through the mounting hole in the left seat belt bracket. Install the mounting flange (Q) of the seat belt strap onto the outside of the bracket and fasten with a 7/16" flat washer and a 7/16" lock nut (P). Tighten until snug.

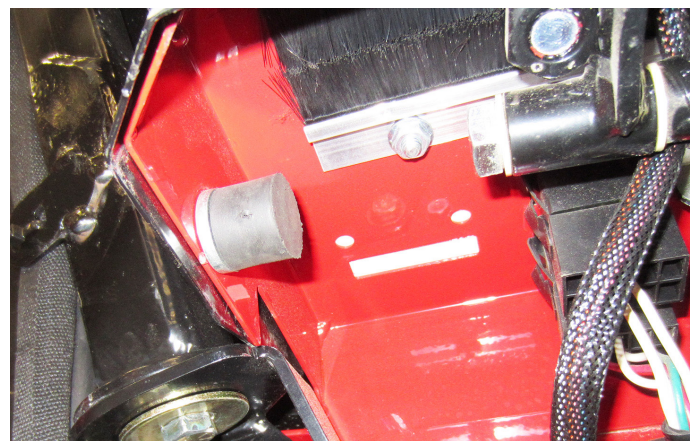


34. Move the primary SDLA lever to the float position and check for clearance between the operator's hand and the cab frame. If there is not enough clearance, the SDLA linkage will need to be adjusted.

35. Loosen the locking nuts (R) on the SDLA linkage rods and turn to adjust the primary SDLA handle in toward the operator. When the primary SDLA lever is adjusted to the desired location, adjust the secondary SDLA lever to match. Tighten the nuts against the rod ends to lock in place.

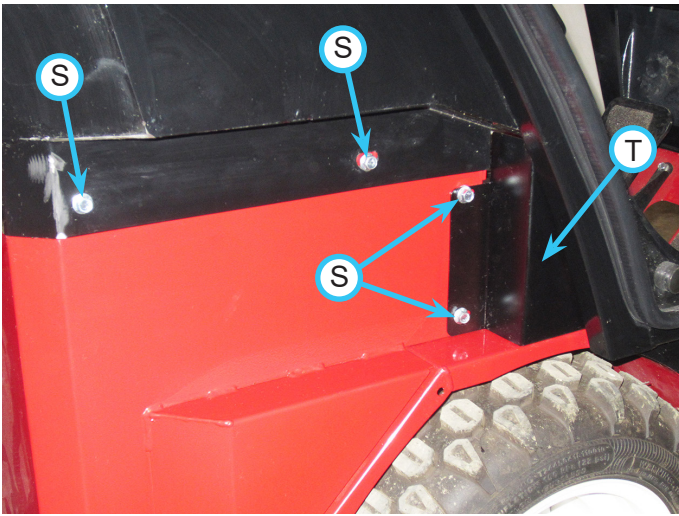


36. Reinstall the spacer washers and rubber bumper onto the side dash panel and fasten with the flange bolt through the cab frame and side dash panel.

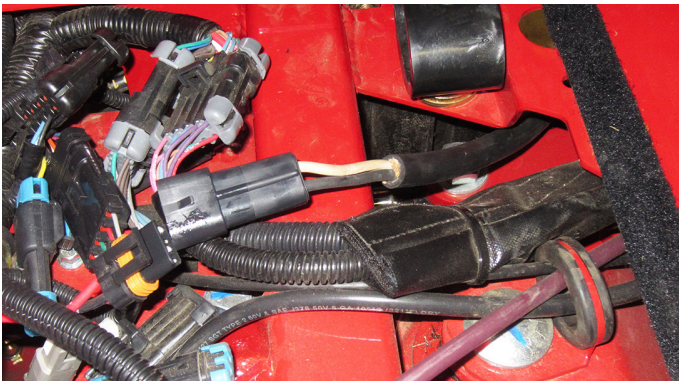


LW450 SETUP INSTRUCTIONS

37. Place the SDLA access cover into position and fasten loosely with 2) flange bolts at the back. Fasten loosely at the top with 2) 1/4 x 1" flange bolts (S) included in the installation hardware.



38. Place the right frame insert panel (T) into position and fasten with 2) 1/4 x 1" flange bolts (S) through the right frame insert panel and the SDLA access cover.
39. Tighten the bolts for the SDLA access cover.
40. Route the wire harness underneath the cab and front frame upper cross member and over the frame cross tube into the wire harness area.

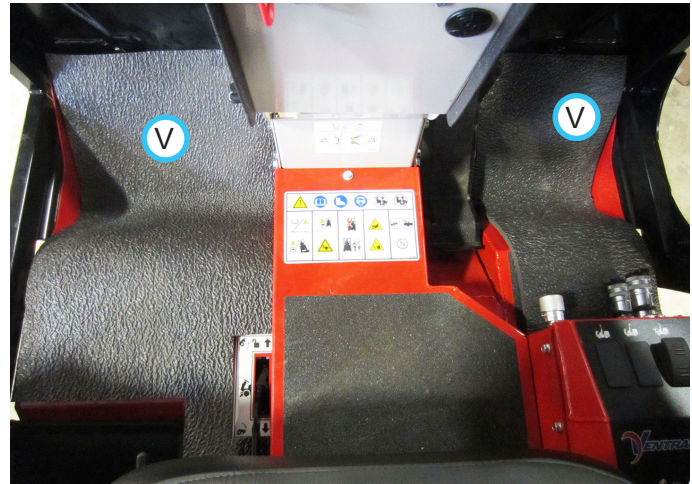


41. Locate the 2 position MP630 connector with a red wire (labeled A-002) and a black wire (A088). Remove the cap and connect to the cab harness. NOTE: save this cap to plug the connector if the cab is removed from the power unit.
42. Reinstall the canvas cover under the seat.
43. If the seat was removed for cab installation, reinstall the seat onto the seat plate. Lower the seat down to the operating position.

44. Install the 30 amp circuit breaker into slot 2 (U) in the rear fuse panel and reinstall the fuse panel cover.



45. Install the floor mats (V) in the foot rest area of the frame panels. Tuck the bottom outside corner of each floor mat under the nut on the frame end panels to help hold the mat down in place. Make sure the right floor mat does not interfere with the operation of the foot pedal control. The rear tab on the right floor mat bends up next to the hydraulic quick couplers to keep the mat from sliding to the left and interfering with the foot pedal control.

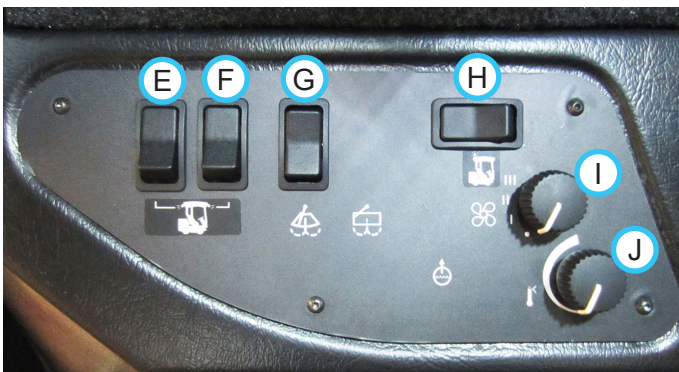
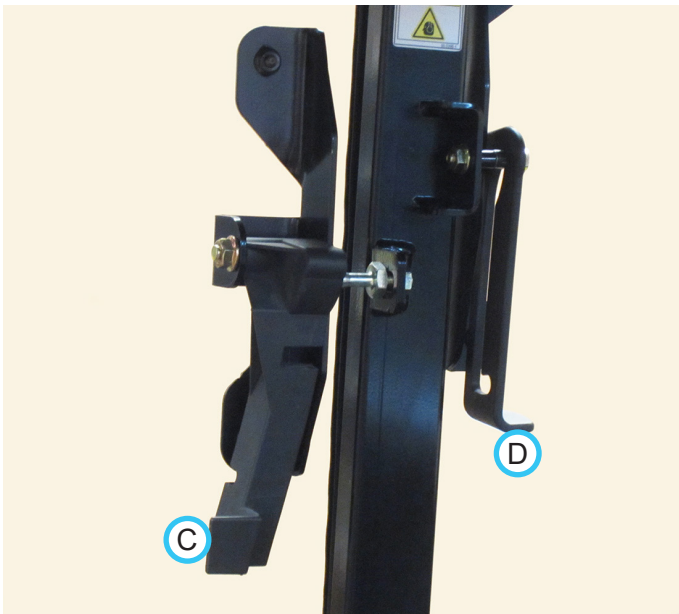
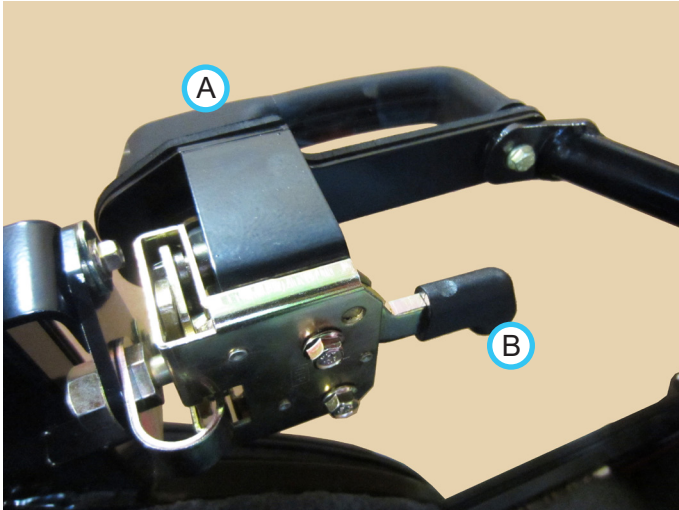


46. Turn the battery disconnect switch to the On position.
47. Test the function of the cab lights and controls along with the function of any accessory kits installed on the weather cab.

OPERATIONAL CONTROLS

Operational Control Locations

Use the following images to help identify the locations of operational controls. The letter next to each control can be referenced to the list that follows these images.



- A. Outer Door Handle & Lock
- B. Inner Door Handle
- C. Emergency Exit / Window Latch Handle
- D. Rear Side Window Latch
- E. Rear Work Light Switch
- F. Front Work Light Switch
- G. Windshield Wiper Switch
- H. Strobe Beacon Switch (Optional)
- I. Fan Speed Switch (Optional)
- J. Temperature Control Dial (Optional)
- K. Hazard Flasher Switch (Optional)
- L. Directional Turn Signal Switch (Optional)
- M. Interior Light & Switch
- N. Defrost Fan & Switch (Optional)
- O. Directional Heat Vents (Optional)

OPERATIONAL CONTROLS

Outer Door Handle & Lock (A)

Push the button on the outer door handle to unlatch the door. The outer door handle can be locked with a key. Turn the key clockwise to lock and counter-clockwise to unlock the door.

Inner Door Handle (B)

Lift up on the inner door handle to unlatch the door. The door cannot be locked from the inside.

Emergency Exit/Window Latch Handle (C)

The emergency exit/window latch handle contains two channels for the latch pin. The lower channel allows the window to open and latch in place. The upper channel releases the handle from the latch pin and allows the window to swing completely out of the way to provide an emergency exit from the weather cab.

Rear Side Window Latch (D)

The rear left and right side window can both be opened and latched in place. Lift up on the latch, push the window open, and press down on the latch to lock in place on the latch pin.

Rear Work Light Switch (E)

Pressing the top portion of the rear work light switch turns the rear work light on. Pressing the bottom portion of the switch turns the light off.

Front Work Light Switch (F)

Pressing the top portion of the front work light switch turns the front work lights on. Pressing the bottom portion of the switch turns the lights off.

Windshield Wiper Switch (G)

	Attention
Do not activate the wiper when the window is dry, as this may scratch the glass.	

Pressing the top portion of the windshield wiper switch turns on the windshield wiper. Pressing the bottom portion of the switch turns the wiper off. Pressing and holding the bottom portion of the switch will cycle the windshield wiper until the switch is released. When the wiper is turned off, the wiper arm will return to the end of the stroke.

Strobe Beacon Switch (H)

Optional accessory. Pressing the left portion of the strobe beacon switch turns the strobe beacon on. Pressing the right portion of the switch turns the strobe beacon off.

Fan Speed Switch (I)

Optional accessory. The heater fan speed switch has four positions to adjust the speed of the heater blower fan.

Temperature Control Dial (J)

Optional accessory. The temperature control dial controls the heat output of the heater.

Hazard Flasher Light Switch (K)

Optional accessory. Pressing the right portion of the hazard flasher light switch flashes all four of the directional turn signal lights. Pressing the left portion of the switch turns the hazard flasher lights off.

Directional Turn Signal Switch (L)

Optional accessory. Pressing the left portion of the turn signal switch turns on the left turn signal. Pressing the right portion of the turn signal switch turns on the right turn signal. Return the switch to the middle position to turn off the signals. The left and right turn signals will override the hazard flashers.

Interior Light & Switch (M)

The switch on the light base turns the light on and off. The light swivels in the socket, which allows the light to be directed where needed.

Defrost Fan & Switch (N)

Optional accessory. The defrost fan has two speeds. Pressing the top portion of the switch turns the fan on low. Pressing the bottom portion of the switch turns the fan on high. Return the switch to the middle position to turn the fan off. The fan can be turned to direct the air where needed.

Directional Heat Vents (O)

Optional accessory. The heat vents can be rotated and the louvers can be tilted to direct air flow in the desired direction.

Do not rotate the vents by the louvers. Use the grip ribs on the vent flange for rotating the vents.

GENERAL OPERATION

Daily Inspection

⚠ WARNING

Always set the parking brake, shut off power unit engine, remove the ignition key, and ensure all moving parts have come to a complete stop before inspecting components, or attempting any repair or adjustment.

1. Park machine on a level surface, with the engine shut off and all fluids cold.
2. Perform a visual inspection of both the power unit and the weather cab. Ensure the weather cab is properly mounted to the power unit. Look for loose or missing hardware, damaged components, or signs of wear.
3. Check the power unit's lights along with work lights, directional lights, and/or strobe beacon to ensure lights are working properly.
4. Inspect window and door seals for cracks and tears. Check glass for chips or damage.
5. Inspect hydraulic hoses, hydraulic fittings, and fuel lines to ensure tight, leak free connections.

⚠ CAUTION

Leaking heater hoses and connections may cause burns or other injuries. They may also cause engine damage due to overheating from loss of coolant. Repair or replace defective heater hoses and connections immediately.

6. Inspect heater hoses (if equipped) for scratches, cracks, or swelling. Check for leaks at heater hose connections.
7. Refer to the power unit operator's manual. Check the power unit's engine oil, hydraulic oil, cooling system, tire pressure, and fuel level. Add fluid or service as required.
8. Repair or replace any damaged or non-working components.
9. Test the power unit's operator safety interlock system*.

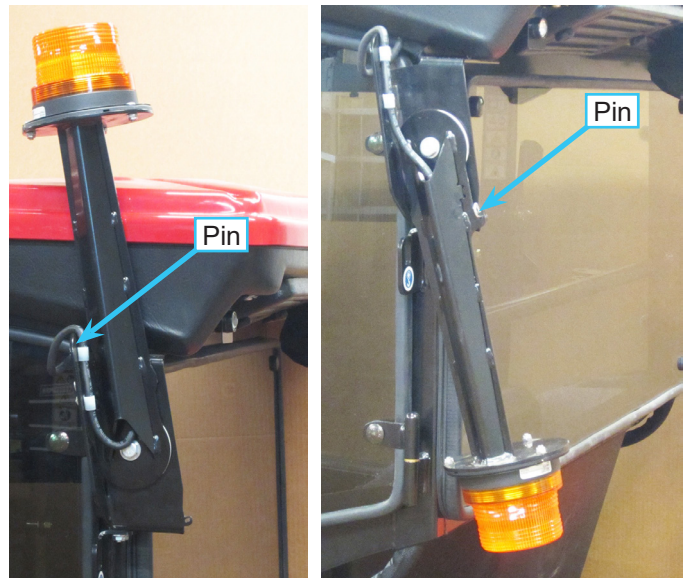
* Refer to power unit operator's manual for operation of power unit controls.

Using The Windshield Wiper In The Winter

- When the cab is not in use, keep the wiper blade off the windshield to prevent it from freezing to the glass.
- If the windshield is covered with snow, scrape the windshield before using the wipers.
- If the wiper blade is frozen to the windshield, place the wiper switch in the Off position and remove the ice from the wiper blade.

Strobe Beacon

The strobe beacon is mounted on an arm with two positions. The strobe beacon arm is rotated up for use, but can be rotated down for low clearance areas, transport, and storage. A hair pin secures the arm in the desired position.



SERVICE

⚠ WARNING

Always set the parking brake, shut off power unit engine, remove the ignition key, and ensure all moving parts have come to a complete stop before inspecting components or attempting any repair or adjustment.



Attention

If any component requires replacement, use only original Ventrac replacement parts.

Cleaning and General Maintenance

For best results, and to maintain the finish of the LW450, clean or wash the weather cab to remove dirt, gravel, and salt deposits. Remove any ice or snow accumulations from the roof, windows, and accessories.



Attention

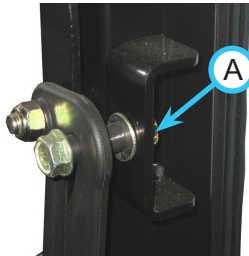
To maintain the finish of the weather cab and accessories, thoroughly wash the equipment after each use to remove any corrosive agents (e.g., salt). Failure to clean the equipment may result in corrosion of (including but not limited to) steel, aluminum, and electrical components. Equipment that will experience repeated exposure to corrosive agents should be pretreated with a corrosion preventative.

Window Latch Adjustment

The window latch pins can be adjusted if the windows do not close properly.

If the window does not seal correctly, loosen the nut (A) on the window latch pin and move away from the window slightly.

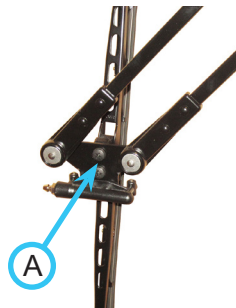
If the window latch is hard to close, move the window latch pin toward the window slightly.



Wiper Blade Replacement

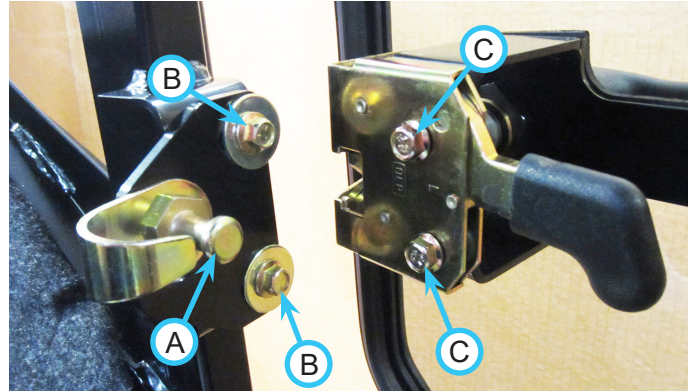
The wiper blade should be replaced on a yearly basis, or sooner if the blade does not clean the windshield effectively.

1. Remove the 2) screws (A) that fasten the wiper blade to the wiper arm.
2. Install new wiper blade and fasten with the screws.



Door Latch Adjustment

If the door does not latch or seal properly, the striker pin and door latch can be adjusted for proper alignment. If the striker pin and door latch are misaligned vertically, loosen the striker pin (A) and move up or down until properly aligned with door latch.



If the door does not latch because the latch pin is set too deep or if the door latches but does not seal properly, loosen the 2) striker mounting plate bolts (B) and move the striker mounting plate in or out to the proper depth.

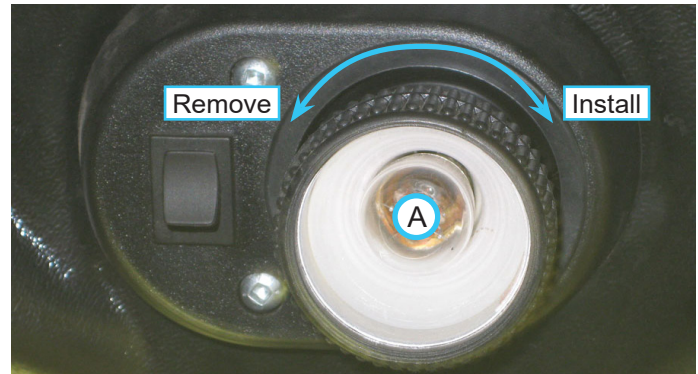
If the door does not latch because the door latch hits the striker pin to far to the front or back, loosen the inner door latch bolts (C) and move the inner door latch forward or rearward until properly aligned.

Door Latch Lubrication

Lubricate the door latch mechanism every 50 hours with a spray lube or light weight oil. Use a cloth to protect the window glass from the spray and wipe off any excess oil to prevent dripping.

Interior Light Bulb Replacement

1. Push in on the bulb (A) and turn counterclockwise to release.
2. Remove bulb from the light socket.



3. Align the pins on the new bulb with the slots in the light socket.
4. Push in on the bulb and turn clockwise.

SERVICE

Work Light Bulb Replacement

The work lights are equipped with LEDs and do not use a replaceable bulb. If a work light no longer functions, the entire light must be replaced.

Turn Signal Bulb Replacement

The turn signal lights are equipped with LEDs and do not use a replaceable bulb. If a turn signal light no longer functions, the entire light must be replaced.

Strobe Beacon Bulb Replacement

1. Turn the strobe beacon off and wait five min-

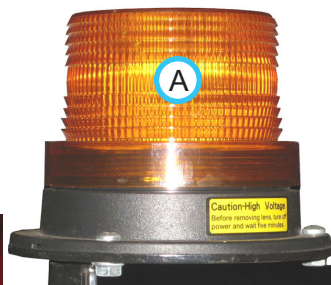
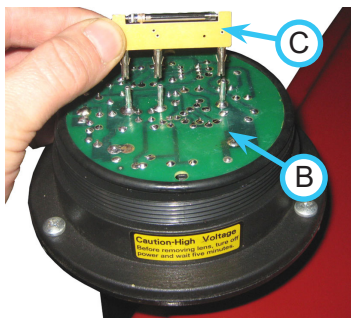
CAUTION

High Voltage!

Before removing lens, turn off power and wait five minutes.

utes.

2. Unscrew the strobe lens (A) from the base.
3. Hold the circuit board (B) in place with one hand and remove the strobe bulb (C).

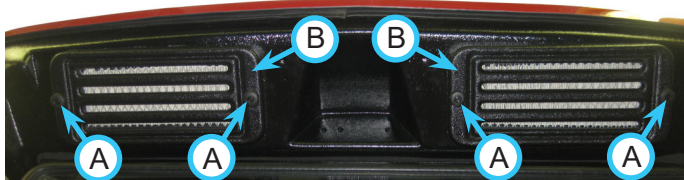


4. Install the new strobe bulb. Push securely onto the circuit board connectors.
5. Check to ensure the circuit board and the O-ring are in place, and reinstall the strobe lens.

Heater Air Filter Replacement

The 2) heater air intake filters should be replaced on a yearly basis, or sooner if operating in dusty conditions.

1. Remove the 2) thumb screws (A) holding each filter cover (B) onto the cab.

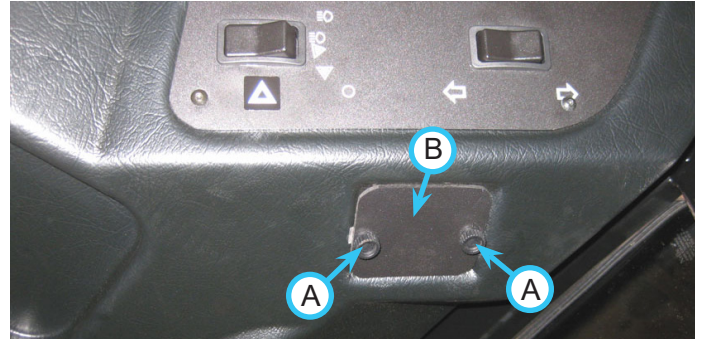


2. Remove both air filters from the cab air intake vents and insert the replacement filters.
3. Reinstall the filter covers and thumb screws.

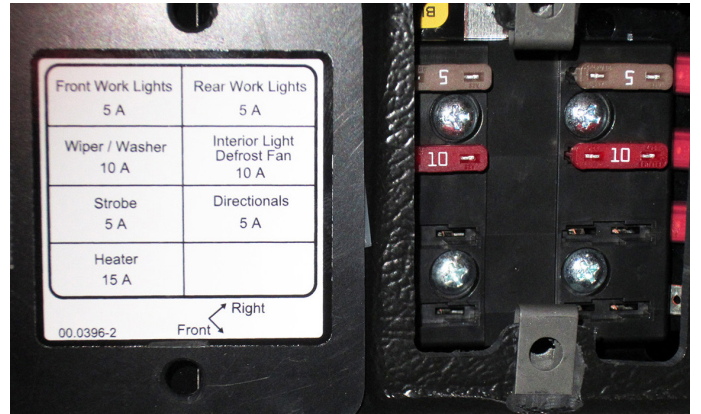
Fuse Replacement

The fuse block is located in the headliner just in front of the right control panel.

1. Remove the 2) thumb screws (A) from the fuse block cover (B).



2. To determine the circuit and fuse size, place the fuse block cover next to the fuse block with the label facing down, the arrow marked front pointing toward the front of the cab, and the arrow marked right pointing toward the right side of the cab.



3. Remove the defective fuse from the socket.

CAUTION

Always use the correct amperage fuse. If a fuse continuously burns out, it is a sign of a problem with the wires and/or the device being supplied power. Correct the problem before replacing the fuse.

4. Push a new fuse into the socket.
5. Reinstall the fuse block cover and thumb screws.

SERVICE

Storage

Preparing the Weather Cab for Storage

1. Clean the weather cab.



Attention

To maintain the finish of the weather cab and accessories, thoroughly wash the equipment after each use to remove any corrosive agents (e.g., salt). Failure to clean the equipment may result in corrosion of (including but not limited to) steel, aluminum, and electrical components.

2. Inspect for loose or missing hardware, damaged components, or signs of wear.
3. Inspect safety decals. Replace any safety decals that are faded, illegible, or missing.

Removing the Weather Cab

WARNING

Before making repairs or adjustment, set the parking brake, turn off engine, and remove ignition key. Always disconnect the negative battery cable from the battery when working with electrical components. Always work in a manner that does not put safety at risk!

WARNING

Safety glasses must be worn during removal. Ear (hearing) protection must be worn when using air or power tools.

WARNING

Use only the LW450 lift sling attached at all four lift points to lift the cab. Never walk or stand beneath the cab when it is raised off the ground.

WARNING

Place wheel chocks in front and back of wheels to prevent the power unit from rolling during removal of weather cab from the power unit.

1. Park the power unit on a level surface.
2. Shut off the power unit's engine, engage the parking brake, and remove the key from the ignition.
3. Turn the battery disconnect switch to the Off position.

4. Place wheel chocks in front and back of wheels to prevent power unit from rolling.
5. If the weather cab is equipped with a heater, locate the connections of the cab heater hoses and the power unit heater hoses between the cab and the power unit hood. Pinch the hoses on each side of the connections to prevent loss of fluid.
6. Disconnect the heater hoses and cap the ends with fittings provided with the heater kit.
7. Remove the Velcro ties that fasten the cab heater hoses to the power unit frame and remove the hoses from the power unit.
8. Disconnect the cab wire harness under the power unit seat and remove the harness from the power unit. Cap the connector on the power unit's harness.
9. Coil up the heater hoses (if equipped) and the wire harness and fasten to the rear cab post(s).
10. Remove the seat belt from the left and right seat belt brackets. Place the seat belt and hardware in a box to store with the weather cab.
11. Remove the SDLA access cover and the right frame insert panel. Place the insert panel in a box to store with the weather cab.
12. Remove the rubber bumper from the rear flange of the side dash panel.
13. Remove the left and right seat belt brackets and the seat belt bracket spacer rod from the power unit. Place the parts and hardware in a box to store with the weather cab.
14. Attach the lift sling to a hoist and position above the weather cab. Clip the 4) lift sling hooks to the lift points at each corner of the cab. Position the rear straps to go around the back of the cab roof in line with the air vent covers.

WARNING

Use only the LW450 lift sling attached at all four lift points to lift the cab. Never walk or stand beneath the cab when it is raised off the ground.

15. Remove the 2) 1/2" bolts and fender washers that fasten the rear of the cab to the rear cab mounting brackets.
16. Remove the 6) 1/4" bolts that fasten the left and right cab side panels to the power unit.
17. Remove the 2) 1/4" bolts and 4) 3/8" bolts that fasten the front of the cab to the power unit.
18. Place all hardware in a box to store with the weather cab.

SERVICE

19. Lift the weather cab and remove from the power unit. NOTE: if hoist will not lift the cab high enough to clear the power unit seat, you must first remove the seat from the seat plate. If the cab will not clear the steering column, tilt the steering column back as far as possible and rotate the back panel of the cab up while moving the back of the cab over the steering column.
20. Place the weather cab on a pallet for storage.
21. Remove the left insert panel and the rear cab mounting brackets from the power unit and place in a box to store with the weather cab.
22. Remove the floor mats from the power unit and place in a box to store with the weather cab.
23. Install the original ROPS bar onto the power unit.
24. Reinstall the spacer washers and rubber bumper onto the side dash panel.
25. If desired, adjust the SDLA linkage rods to move the levers into a vertical position.
26. Reinstall the SDLA access cover onto the power unit.
27. If the seat was removed for cab clearance, reinstall the seat onto the seat plate.
28. Place the box with weather cab components on the pallet inside the weather cab.
29. Secure the cab to the pallet and store at a location where it is unlikely to get damaged.

Removing the Weather Cab from Storage

Inspect, clean, and install the weather cab according to the setup instruction in this manual.

SPECIFICATIONS

Dimensions


Overall Height	63 inches (160 cm)
Overall Length	56 inches (142 cm)
Overall Width	42 inches (107 cm)
Weight	370 pounds (168 kg)
Height (installed on power unit)	77 inches (196 cm)
Height with Strobe Beacon (installed on power unit)	82 inches (208 cm)
Length (installed on power unit)	78 inches (198 cm)

Features

- Glass on frame design
- Tempered glass
- Removable door
- Emergency exit
- Contoured headliner and roof assembly
- Heavy duty front wiper and wiper motor
- Front and rear LED work lights

EC Declaration of Conformity

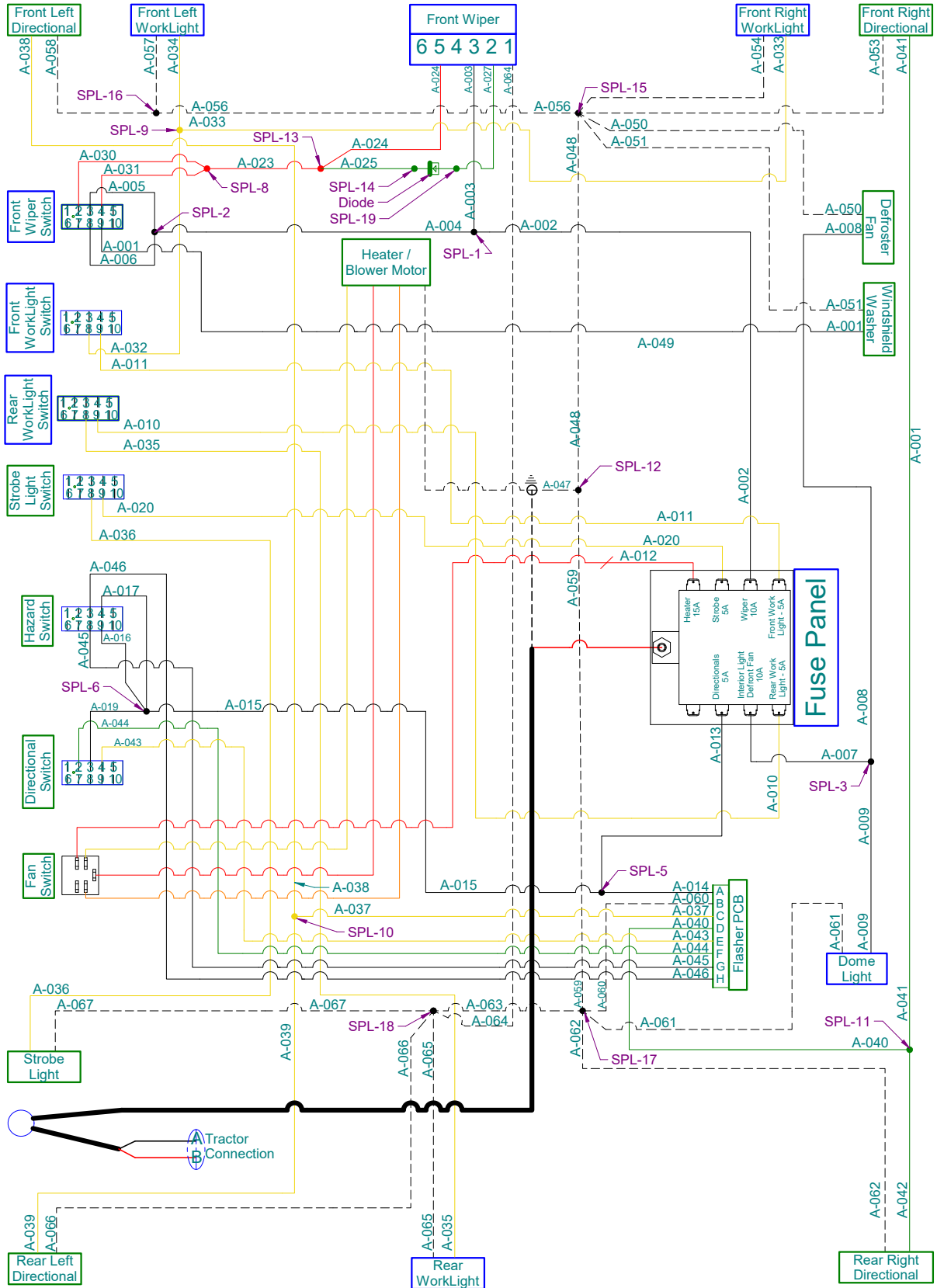
Ventrac LW450

Manufacturer	Venture Products, Inc. 500 Venture Drive Orrville, OH 44667 USA
Authorized Representative (also authorized to compile the technical file)	Lars Persson LAPAB MASKIN AB Box 46, S-734 22 Hallstahammar Flädervägen 5, 734 38 Hallstahammar SWEDEN
Technical File Keeper	Ryan Steiner Venture Products, Inc. 500 Venture Drive Orrville, OH 44667 USA
Description	Tractor cab
Model Name	Ventrac LW450 Cab
Model Number	70.2012
Serial Number	LW450-Axxxxxx
This Product Conforms to Directives	2006/42/EC, 2004/108/EC
This Product Conforms to Standards	ISO 14982
Ryan Steiner Director of Engineering 	23-July-2015 Orrville, Ohio USA

PARTS

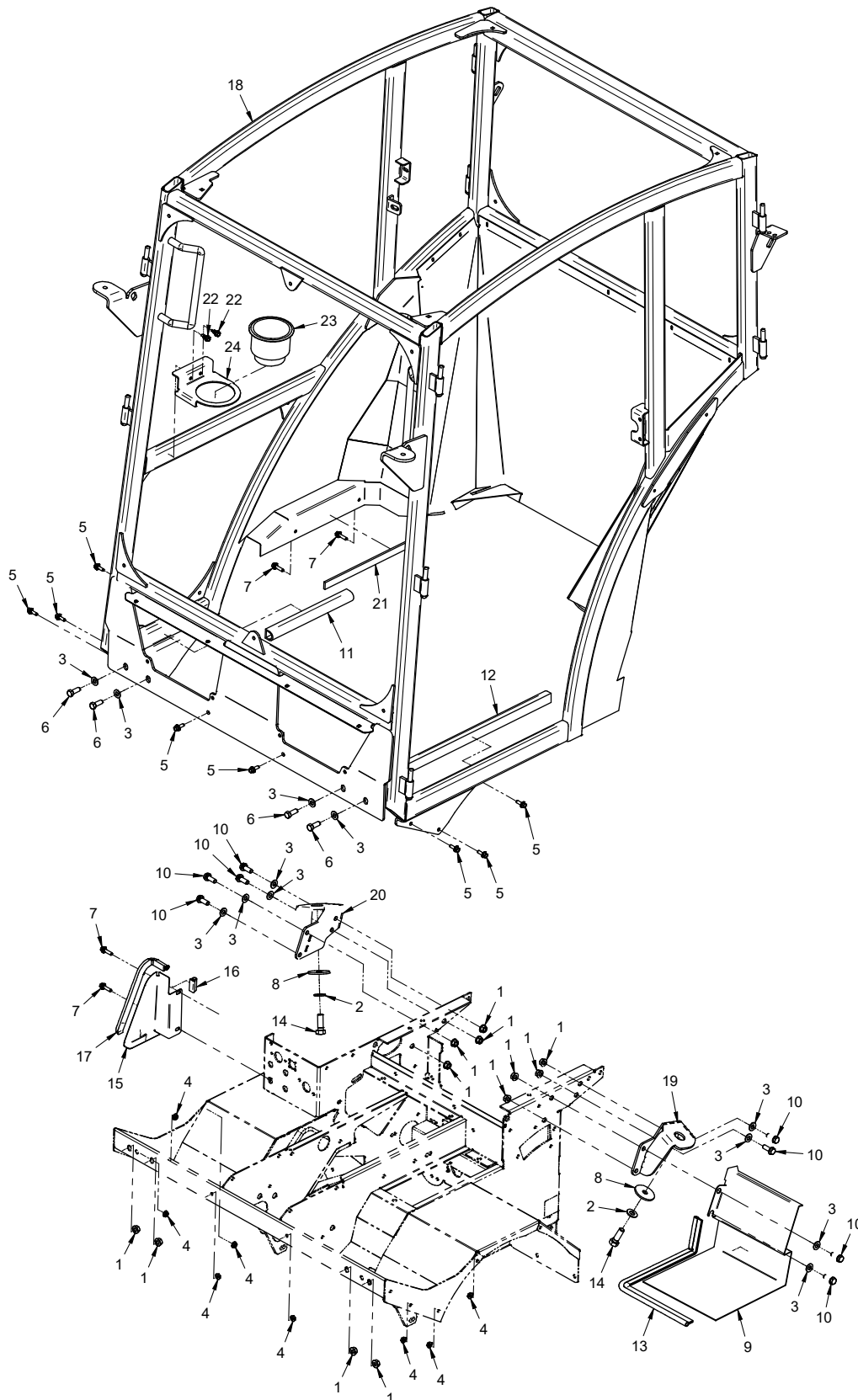
ILLUSTRATED DRAWING

Electrical Diagram (32.0157 Wire Harness)



PARTS

ILLUSTRATED DRAWING Main Cab Frame Mount & Insert Panels



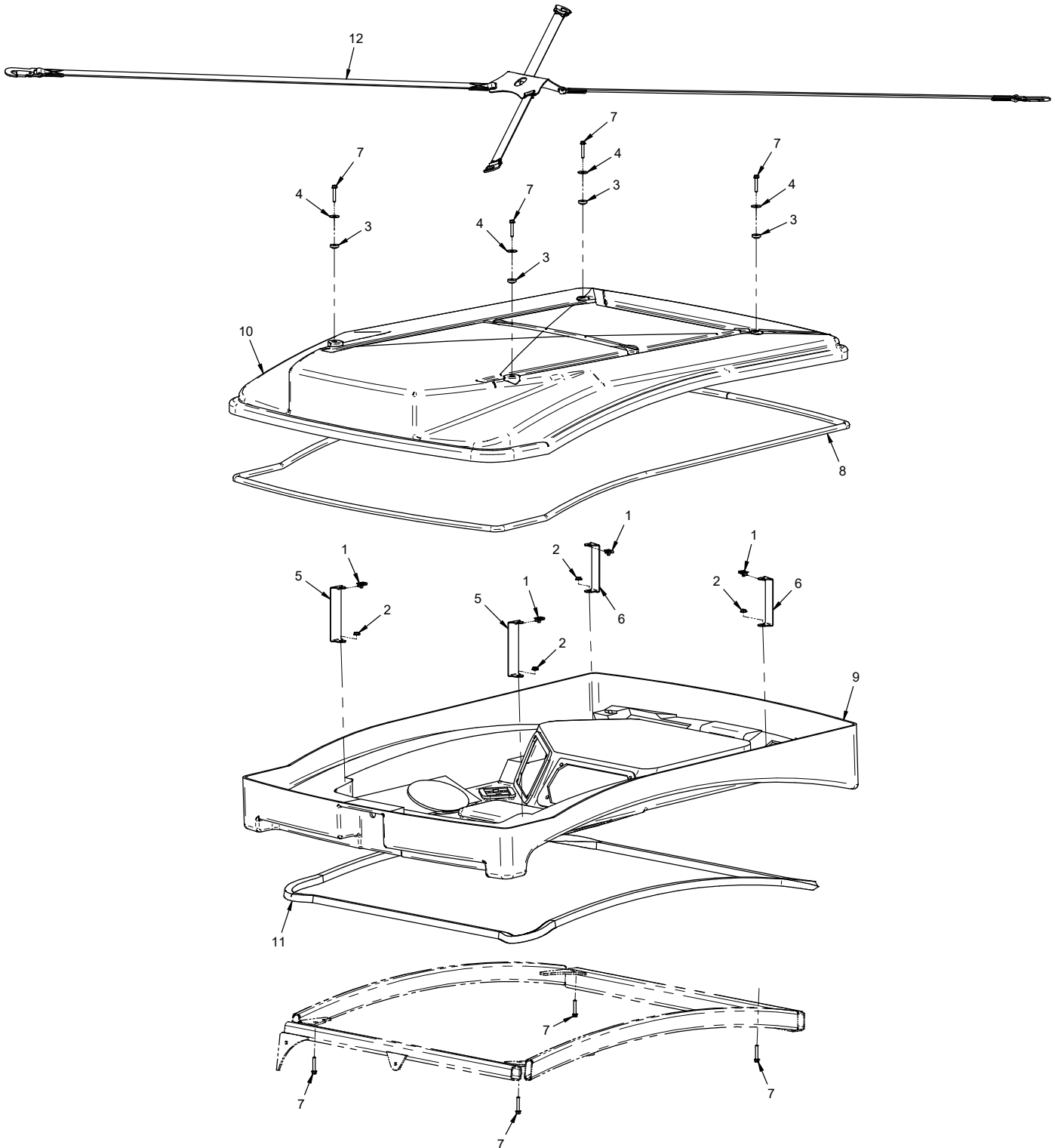
PARTS

Main Cab Frame Mount & Insert Panels

REF.	PART NO.	DESCRIPTION	QTY.
1	99.SF06	NUT, SRF 3/8-16 USS	12
2	95.08	WASHER, FLAT 1/2 SAE	2
3	95.06	WASHER, FLAT 3/8 SAE	12
4	99.SF04	NUT, SRF 1/4-20 USS	8
5	99.SF0406	BOLT, SRF 1/4-20 X 3/4	8
6	90.0608	BOLT, 3/8-16 USS X 1	4
7	99.SF0408	BOLT, SRF 1/4 X 1 USS	4
8	07.0100115	WASHER, FENDER 9/16 X 2-1/2 YD.	2
9	07.0106722	PANEL, LEFT FRAME INSERT	1
10	99.SF0608	BOLT, SRF 3/8-16 USS X 1	8
11	06.0064-10.5IN	WEATHERSTRIP, 1" X 1" D-SHAPE X 10-1/2"	1
12	06.0064-20.5IN	WEATHERSTRIP, 1" X 1" D-SHAPE X 20-1/2"	1
13	06.0043-22IN	TRIM, TRIM SEAL W/BULB X 22"	1
14	90.0812	BOLT, 1/2-13 USS X 1-1/2	2
15	64.1862	PANEL, SDLA COVER	1
16	06.0049-1.25IN	TRIM, TRIM SEAL W/BULB X 1-1/4"	1
17	06.0049-10IN	TRIM, TRIM SEAL W/BULB X 10"	1
18	07.0802762	FRAME, LW450 CAB	1
19	07.0802764	MOUNT, LEFT REAR CAB	1
20	07.0802765	MOUNT, RIGHT REAR CAB	1
21	06.0047-13IN	WEATHERSTRIP, 3/16 X 3/4 X 13"	1
22	99.K0141	SCREW, SELF DRILLING 1/4 X 3/4 (Serial # 1382-)	2
23	47.0185	HOLDER, CUP 3.586 OD X 3-1/4 DP (Serial # 1382-)	1
24	64.1899	MOUNT, CUP HOLDER (Serial # 1382-)	1

PARTS

ILLUSTRATED DRAWING Cab Roof & Headliner Mount



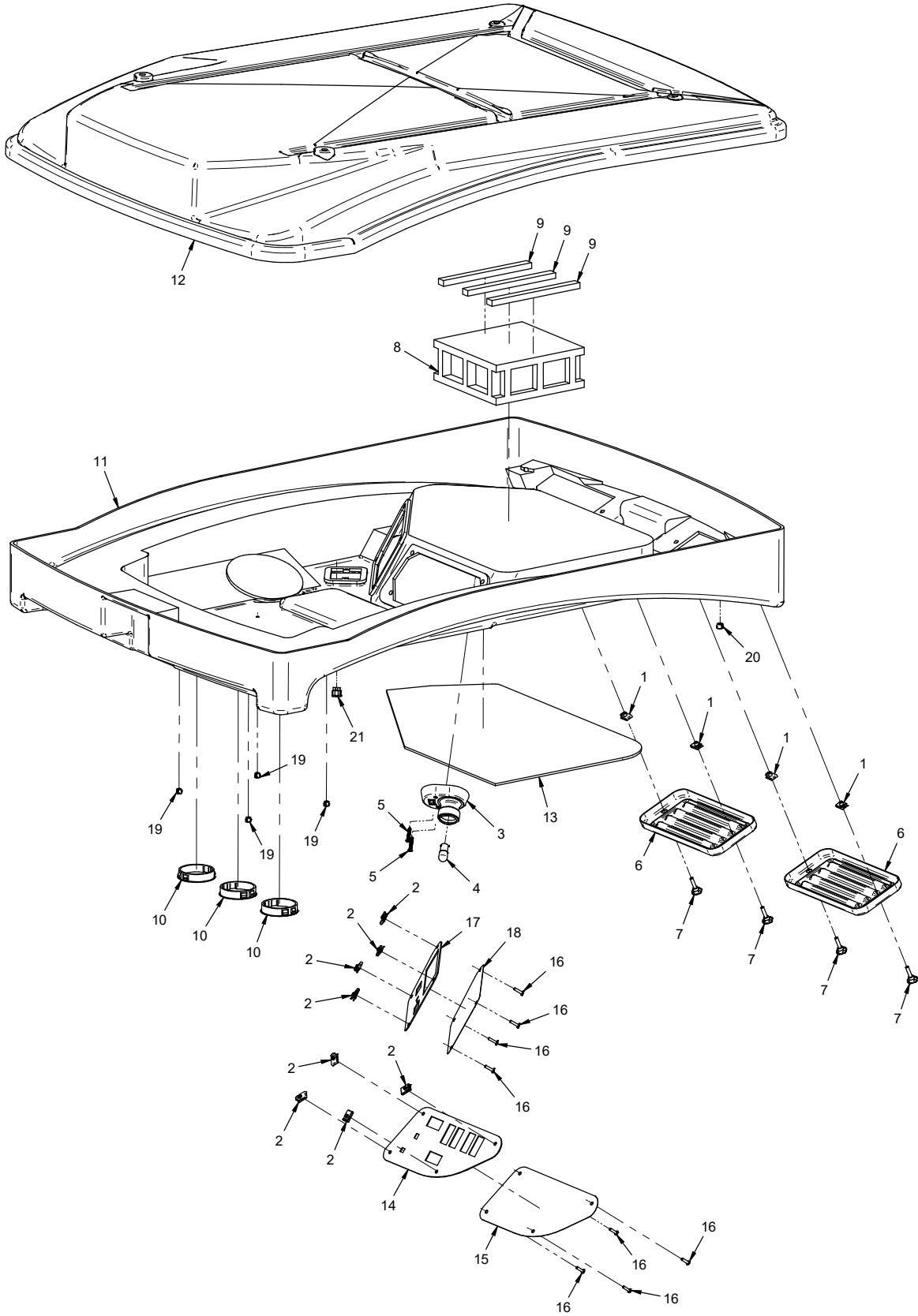
PARTS

Cab Roof & Headliner Mount

REF.	PART NO.	DESCRIPTION	QTY.
1	99.E0046	.NUT, "U" 1/4-20 EXTRUDED	4
2	99.SF04	.NUT, SRF 1/4-20 USS.	4
3	07.0100382	.BUSHING, NEOPRENE 5MM BLACK	4
4	07.0100380	.WASHER, FLAT 1/4" YD.	4
5	07.0100487	.PLATE, ROOF MOUNT - 5-3/4"	2
6	07.0100488	.PLATE, ROOF MOUNT - 5"	2
7	07.0100626	.BOLT, FLANGE 1/4" X 1-1/2" YD	8
8	06.0068-190IN	.TRIM, TRIM SEAL W/BULB X 190"	1
9	07.0100780	.HEADLINER, BLACK PLASTIC.	1
10	07.0106621	.ROOF, PLASTIC W/O BUMP.	1
11	07.003003-160IN	.NDAX, 3/4" X 3/4" X 160"	1
12	47.0368	.SLING, 4 POINT ASSY LW450	1

PARTS

ILLUSTRATED DRAWING Headliner Components



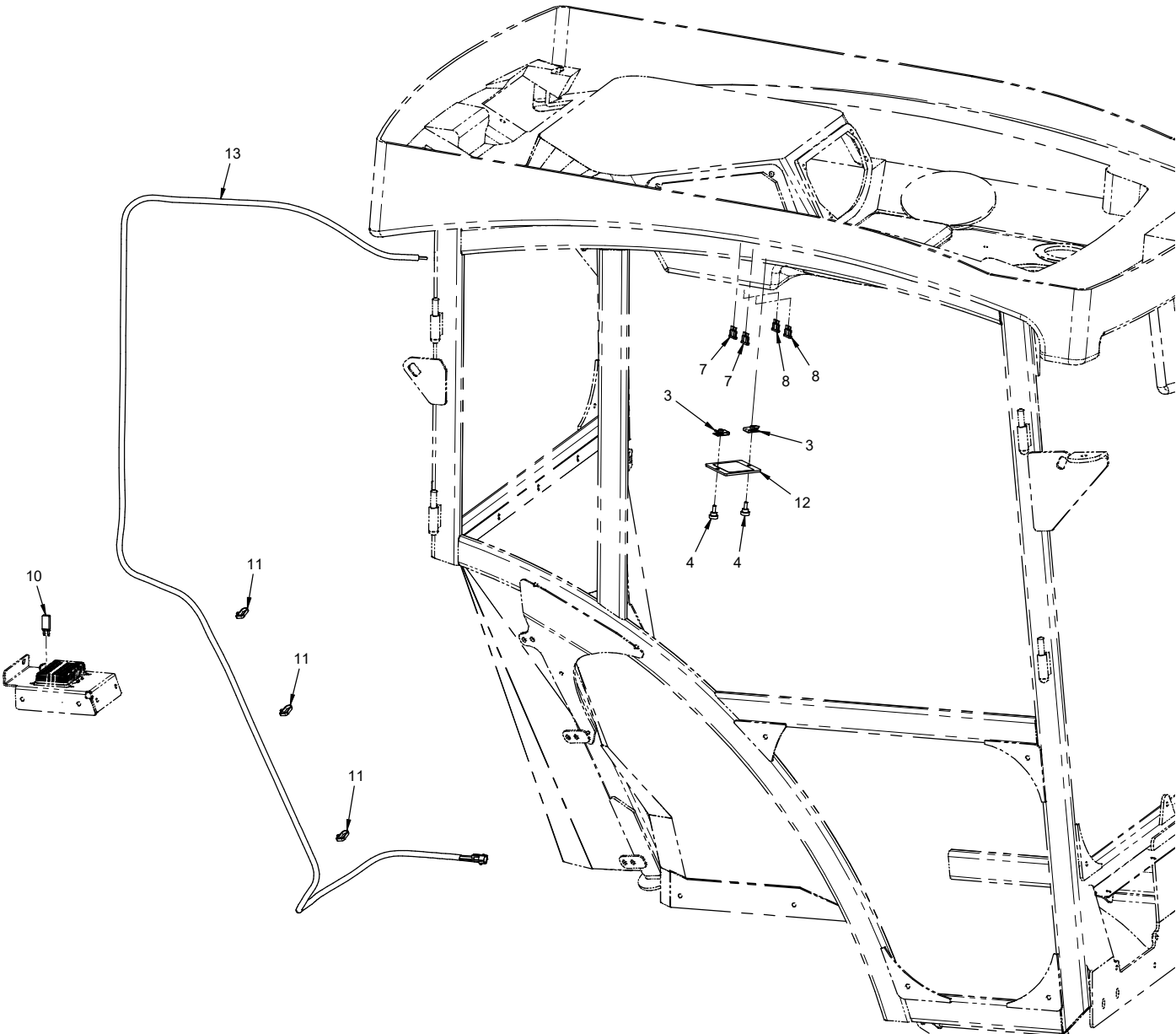
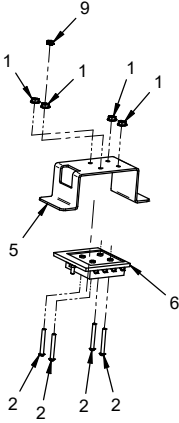
PARTS

Headliner Components

REF.	PART NO.	DESCRIPTION	QTY.
1	99.E0046	NUT, "U" 1/4-20 EXTRUDED	4
2	99.E0091	NUT, "U" #10-24 EXTRUDED	8
3	07.0100402	LIGHT, DOME	1
4	33.0057	BULB, LIGHT 3/4" BULB DIA.	1
5	99.K0118	SCREW, #8 X 1-1/4	2
6	07.0100153	COVER, FILTER UNVENTED	2
7	07.0102058	KNOB, 1/4-20 X 1" 4-LOBE	4
8	07.0101616	BLOCK, SPACER ROOF/HEADLINER	1
9	07.0101353	NDAX, 1/2" X 9"	3
10	05.0127	PLUG, 3" HOLE SNAP-IN PLASTIC	3
11	07.0100780	HEADLINER, BLACK PLASTIC	1
12	07.0106621	ROOF, PLASTIC W/O BUMP	1
13	07.010012	UPHOLSTERY, HEADLINER GRAY	1
14	07.010013	SWITCHPLATE, WIPER & HEATER	1
15	07.0100459	DECAL, WIPER/HEATR SWITCHPLATE	1
16	07.0100477	SCREW, BUTTON HEAD 10-24 X 3/4	8
17	07.010014	SWITCHPLATE, DIRECTION SIGNALS	1
18	07.0100460	DECAL, DIR SIGNAL SWITCHPLATE	1
19	05.0077	PLUG, 1/4" HOLE, NYLON	4
20	05.0070	PLUG, 1/2" HOLE, NYLON	1
21	30.0317	FUSE, 10 AMP ATC BLADE - RED	1

PARTS

ILLUSTRATED DRAWING Fuse Panel & Wire Harness



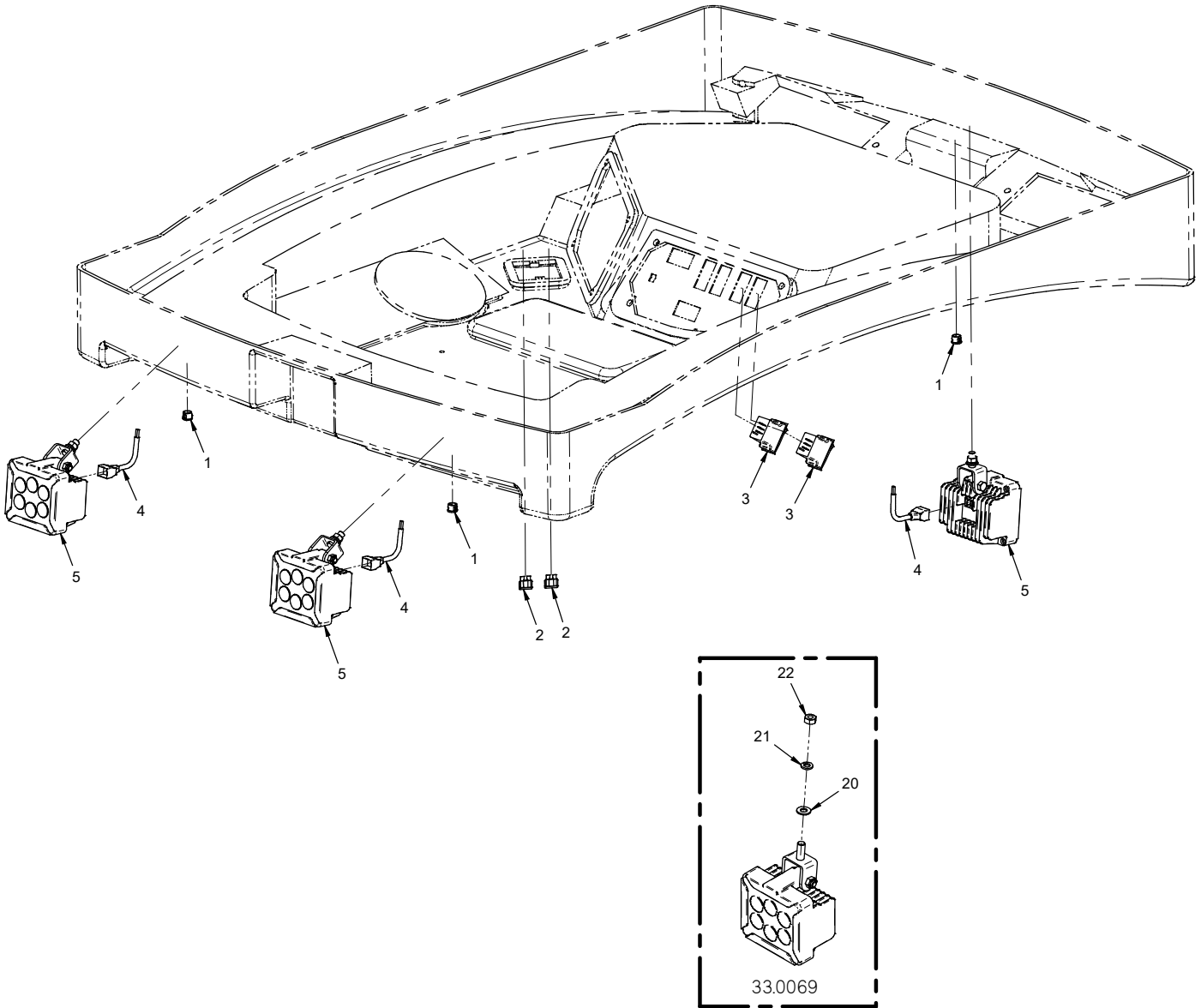
PARTS

Fuse Panel & Wire Harness

REF.	PART NO.	DESCRIPTION	QTY.
1	99.E0035	NUT, SRF #10-32	4
2	99.K0067	MACHINE SCREW, #10-32 X 1-1/2	4
3	99.E0091	NUT, "U" #10-24 EXTRUDED	2
4	07.010015	SCREW, NYLON THUMB 10-24	2
5	64.1861	MOUNT, FUSE PANEL	1
6	30.0185	FUSE PANEL, 8 CIRCUIT ATC BLADE	1
7	30.0187	FUSE, 5 AMP ATC BLADE - TAN	2
8	30.0317	FUSE, 10 AMP ATC BLADE - RED	2
9	99.E0049	NUT, WASHER #10-32 (STAR NUT)	1
10	30.0445	BREAKER, CIRCUIT 30 AMP MINI	1
11	30.0037	TYTON TIE, #50 .18 X 8 BLACK	3
12	30.0475	COVER, FUSE PANEL W/DECAL LW	1
13	32.0157	HARNESS, WIRE LW450	1

PARTS

ILLUSTRATED DRAWING Front & Rear Work Lights



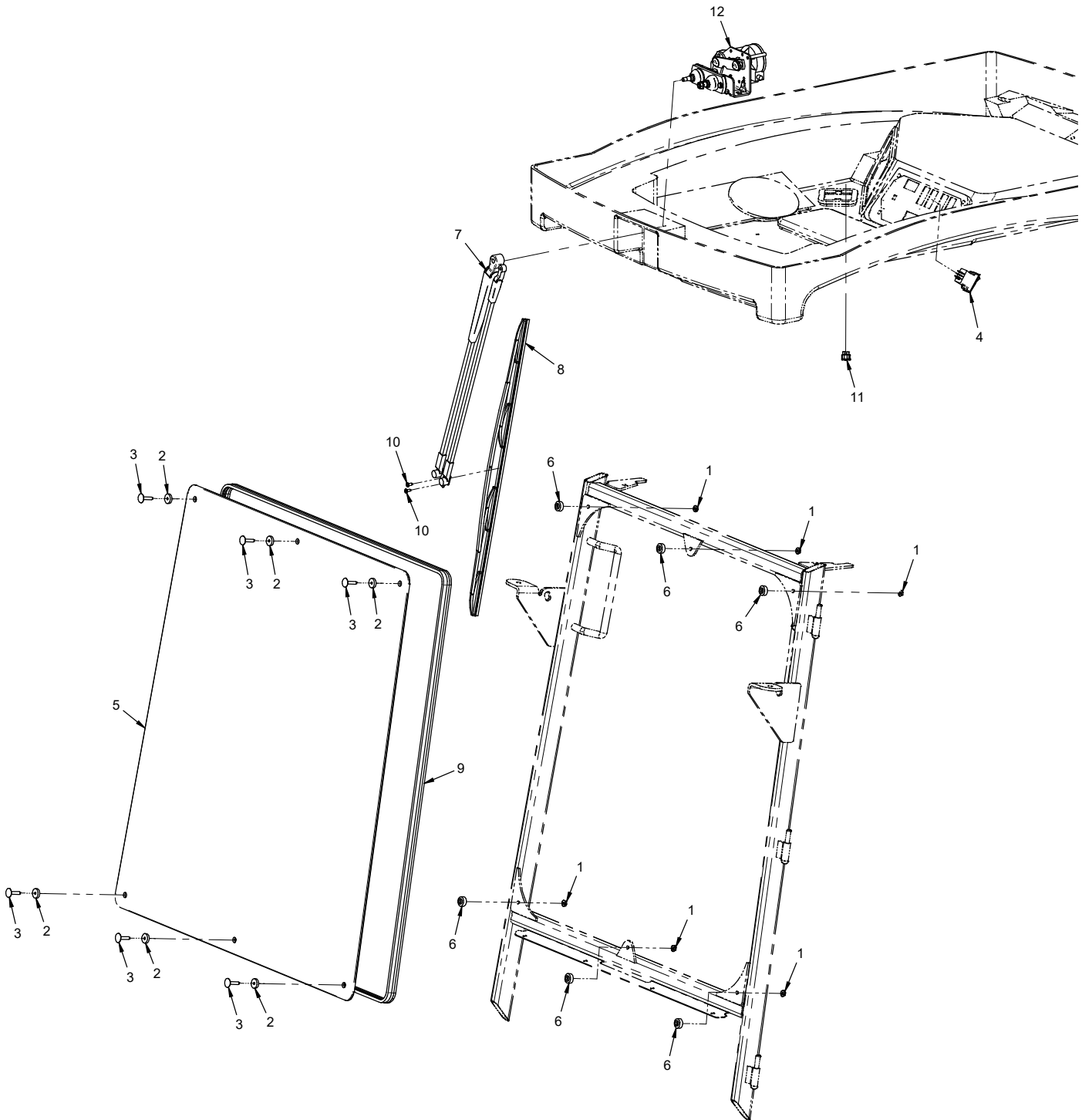
PARTS

Front & Rear Work Lights

REF.	PART NO.	DESCRIPTION	QTY.
1	05.0072	.SNAP BUSHING, 3/8 ID X 1/2 OD	3
2	30.0187	.FUSE, 5 AMP ATC BLADE - TAN.	2
3	31.0050	.SWITCH, ROCKER ON/OFF	2
4	32.0161	.HARNESS, WIRE 33.0069 BULLET	3
5	33.0069	.LIGHT, WORK 3 X 3 LED	3
20	95.05	.WASHER, FLAT 5/16 SAE	1
21	96.05	.WASHER, LOCK 5/16	1
22	99.M0025	.NUT, M8 X 1.25 ZP	1

PARTS

ILLUSTRATED DRAWING Front Windshield & Windshield Wiper



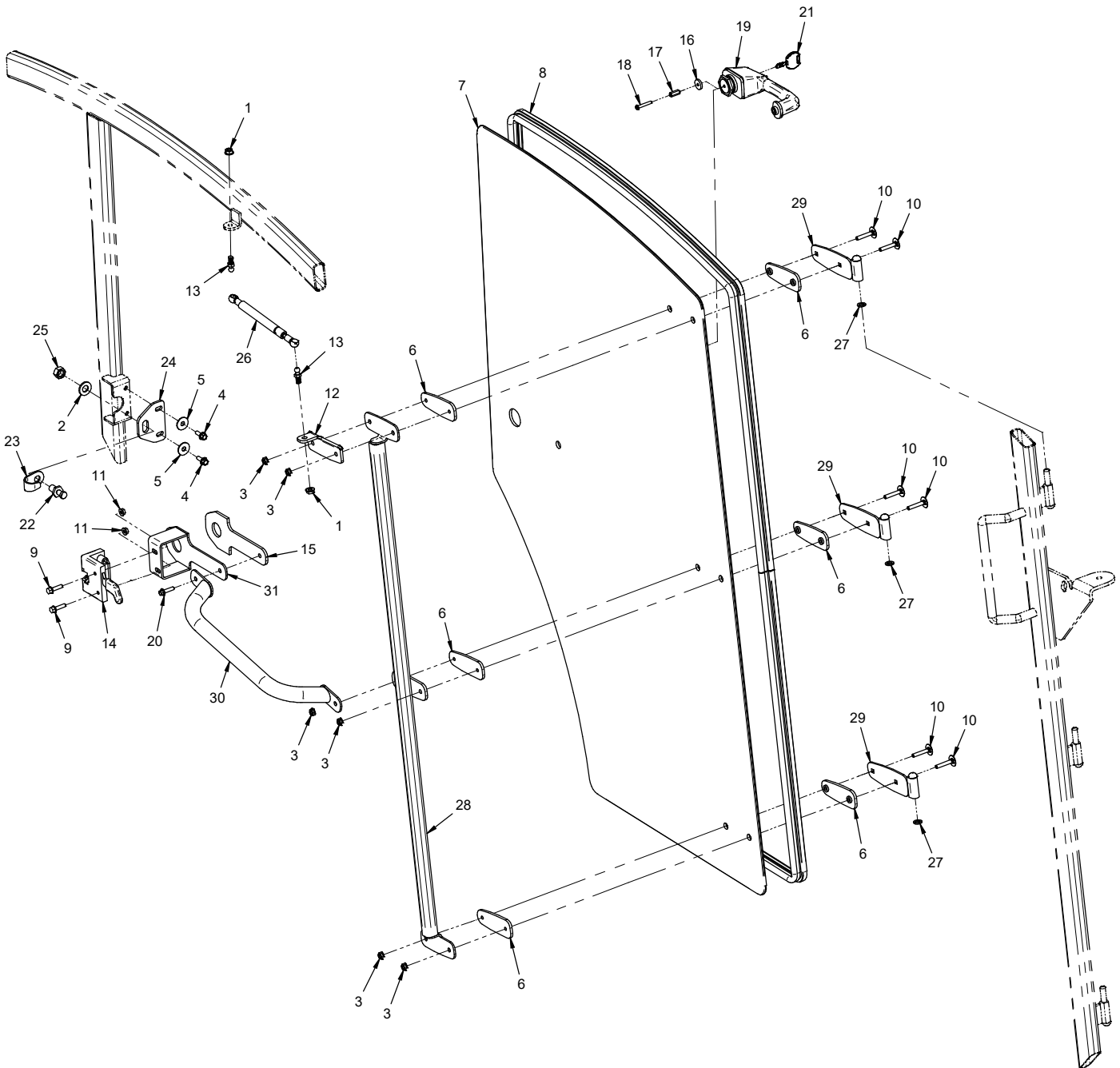
PARTS

Front Windshield & Windshield Wiper

REF.	PART NO.	DESCRIPTION	QTY.
1	99.SF04	.NUT, SRF 1/4-20 USS	6
2	07.0100382	.BUSHING, NEOPRENE 5MM BLACK	6
3	99.K0115	.BOLT, STEP 1/4-20X1-1/4 BLACK	6
4	31.0049	.SWITCH, WIPER ON/OFF/MON	1
5	07.020025	.WINDOW, FRONT LW450	1
6	07.0100381	.BUSHING, NEOPRENE 8MM BLACK	6
7	07.0102747	.WIPER ARM, 20"	1
8	07.0102746	.BLADE, WIPER 22"	1
9	06.0072-156IN	.TRIM, SEAL DOUBLE BULB 3/16" X 156"	1
10	99.M0045	.MACHINE SCREW, M5 X 10MM SS	2
11	30.0317	.FUSE, 10 AMP ATC BLADE - RED	1
12	07.0102744	.MOTOR, WIPER 12V	1

PARTS

ILLUSTRATED DRAWING Door Assembly



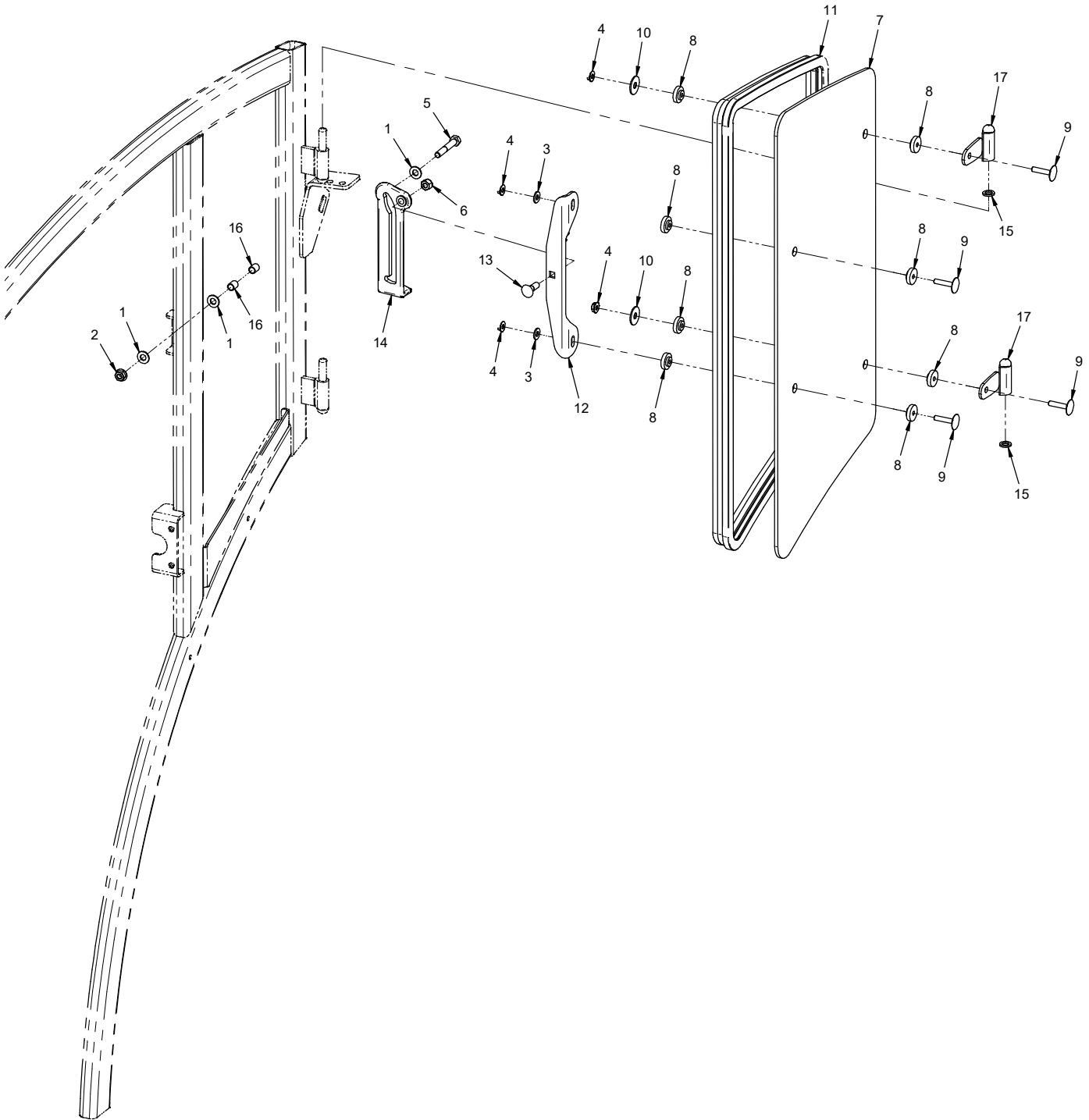
PARTS

Door Assembly

REF.	PART NO.	DESCRIPTION	QTY.
1	99.SF05	.NUT, SRF 5/16-18 USS.	2
2	95.08	.WASHER, FLAT 1/2 SAE	1
3	99.SF04	.NUT, SRF 1/4-20 USS.	6
4	99.SF0406	.BOLT, SRF 1/4-20 X 3/4	2
5	07.0100380	.WASHER, FLAT 1/4" YD.	2
6	07.0100362	.GUARD, NEOPRENE 5MM BLACK	6
7	07.020026	.WINDOW, DOOR LW450	1
8	06.0072-1561N	.TRIM, SEAL DOUBLE BULB 3/16" X 156"	1
9	07.0100007	.BOLT, FLANGE M6 X 1.0 X 25MM.	2
10	99.K0119	.BOLT, STEP 1/4-20 X 1-1/2 BLK	6
11	07.0100008	.NUT, FLANGE M6 X 1.0 YD	2
12	07.0100373	.PLATE, GAS SHOCK MOUNT RH	1
13	07.0100366	.PIN, GAS SHOCK PIVOT BALL STUD	2
14	07.0100006	.LATCH, DOOR - LEFT	1
15	07.0101397	.BUSHING, DOOR HANDLE	1
16	07.0101478	.WASHER, 3/16" FLAT	1
17	07.0101476	.NUT, COUPLER 10-32 X 3/4"	1
18	07.0101477	.MACHINE SCREW, 10-32 X 1-1/4"	1
19	07.0101445	.HANDLE, CAB PUSH-BUTTON	1
20	99.M0044	.BOLT, SMF M6 X 1.00 X 30MM	1
21	47.0308	.KEY, DOOR HANDLE LW	1
22	07.0100013	.PIN, STRIKER	1
23	07.0101646	.GUARD, STRIKER PIN	1
24	07.0100012	.PLATE, STRIKER MOUNT.	1
25	07.0100014	.NUT, STRIKER PIN	1
26	07.0100365	.SHOCK, GAS LEFT DOOR	1
27	07.0100026	.WASHER, HINGE - FLAT BRASS	3
28	07.0802759	.BRACKET, DOOR HINGE SUPPORT	1
29	07.0101843	.HINGE, DOOR RH 2 PIECE	3
30	07.0802779	.GRAB BAR, DOOR	1
31	07.0802758	.MOUNT, DOOR LATCH	1

PARTS

ILLUSTRATED DRAWING Left Rear Window



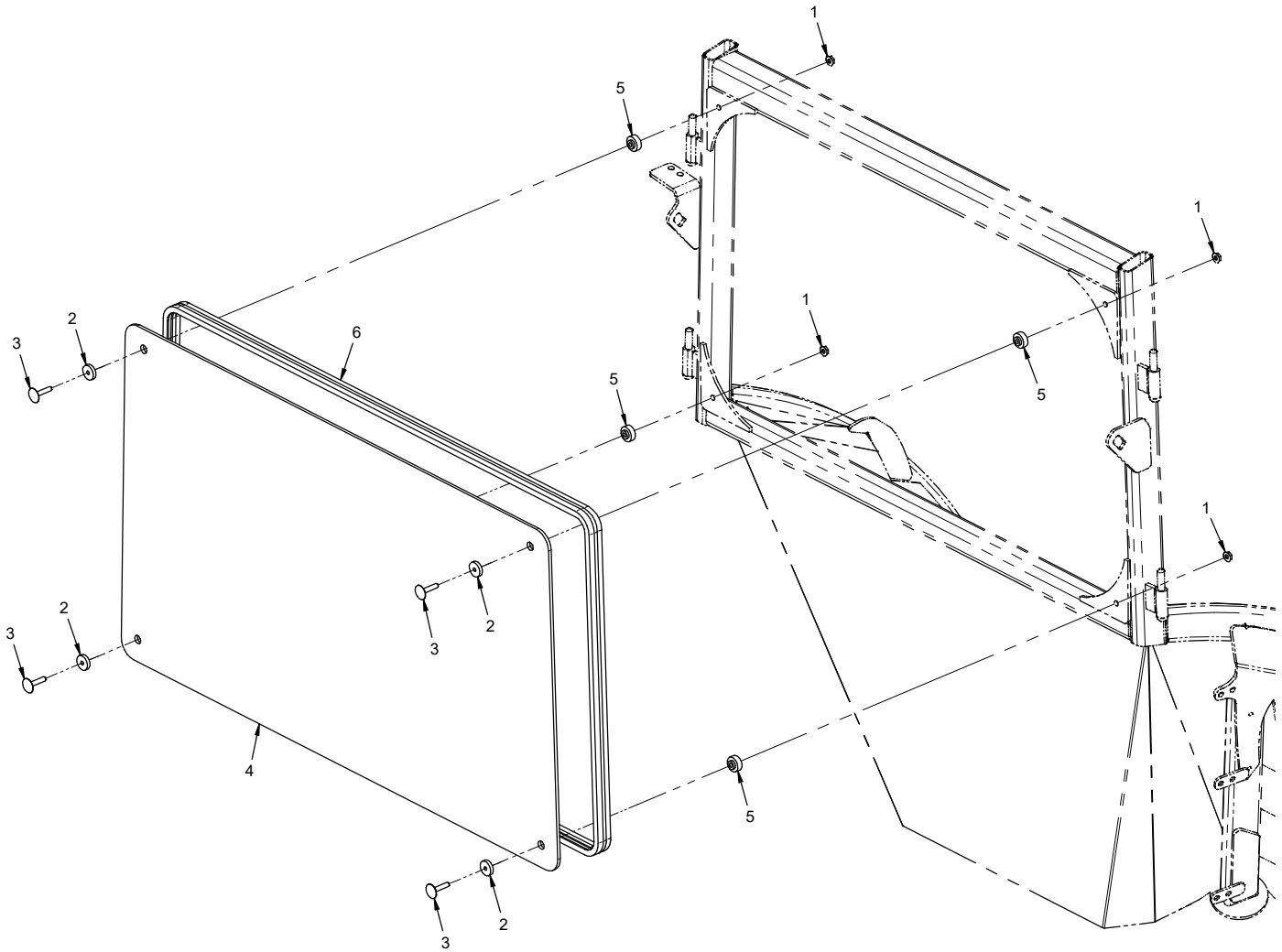
PARTS

Left Rear Window

REF.	PART NO.	DESCRIPTION	QTY.
1	95.05	WASHER, FLAT 5/16 SAE	3
2	99.SF05	NUT, SRF 5/16-18 USS	1
3	95.04	WASHER, FLAT 1/4 SAE	2
4	99.SF04	NUT, SRF 1/4-20 USS	4
5	90.0516	BOLT, 5/16-18 USS X 2"	1
6	99.A05N	LOCKNUT, NYLON 5/16-18 USS	1
7	07.020028	WINDOW, SIDE REAR LW450	1
8	07.0100382	BUSHING, NEOPRENE 5MM BLACK	8
9	99.K0115	BOLT, STEP 1/4-20X1-1/4 BLACK	4
10	07.0100380	WASHER, FLAT 1/4" YD	2
11	06.0072-72IN	TRIM, SEAL DOUBLE BULB 3/16" X 72"	1
12	07.0100375	BRACKET, SIDE WINDOW LATCH	1
13	97.0508	BOLT, CARRIAGE 5/16 X 1"	1
14	07.0100028	ARM, SIDE WINDOW LATCH RH	1
15	07.0100026	WASHER, HINGE - FLAT BRASS	2
16	07.0100033	BUSHING, LATCH	2
17	07.0801570	HINGE, RH 2PC TOP SINGLE BOLT	2

PARTS

ILLUSTRATED DRAWING Rear Window



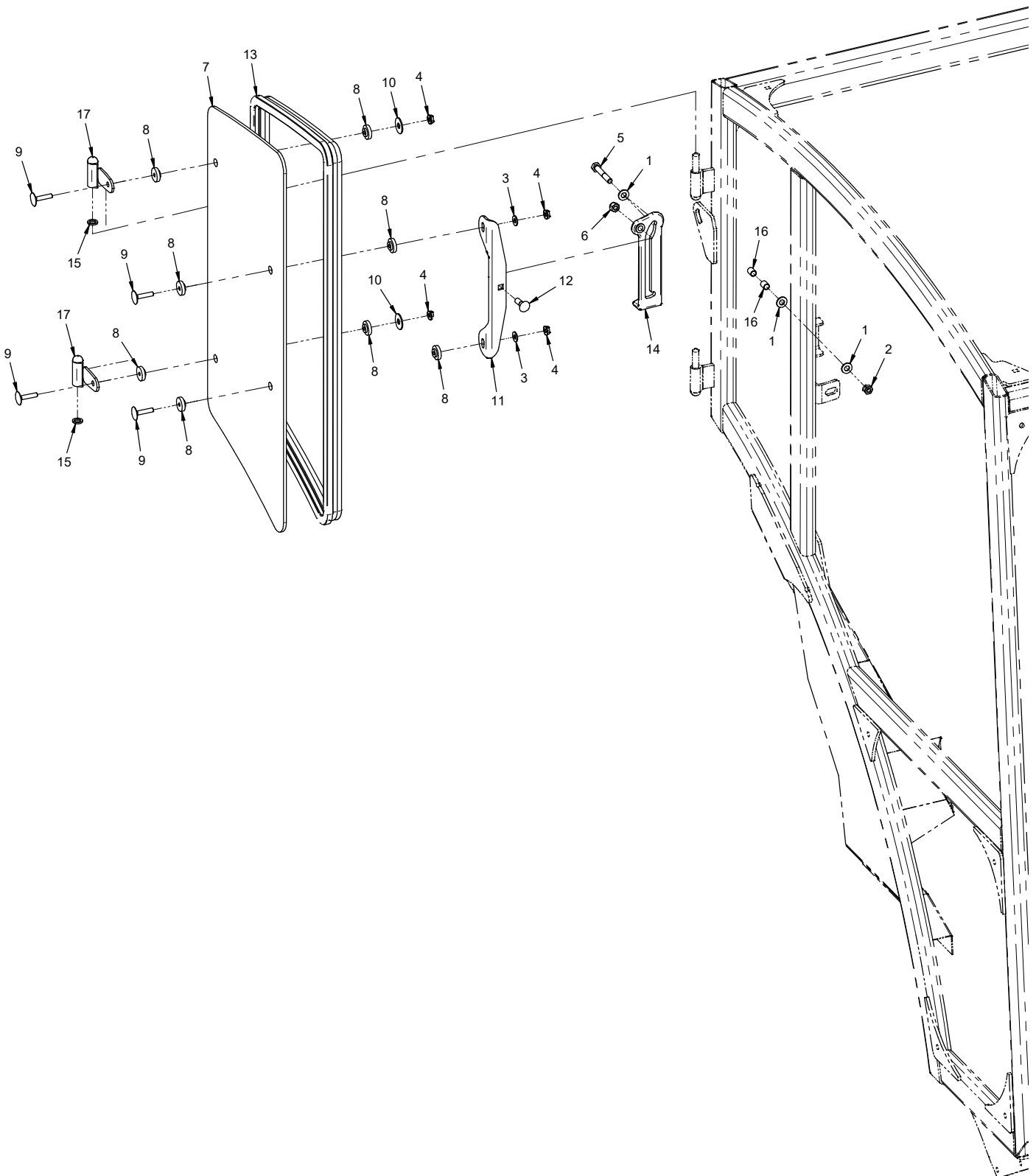
PARTS

Rear Window

REF.	PART NO.	DESCRIPTION	QTY.
1	99.SF04	.NUT, SRF 1/4-20 USS.	4
2	07.0100382	.BUSHING, NEOPRENE 5MM BLACK	4
3	99.K0115	.BOLT, STEP 1/4-20X1-1/4 BLACK	4
4	07.020027	.WINDOW, REAR LW450	1
5	07.0100381	.BUSHING, NEOPRENE 8MM BLACK	4
6	06.0072-114IN	.TRIM, SEAL DOUBLE BULB 3/16" X 114"	1

PARTS

ILLUSTRATED DRAWING Right Rear Window



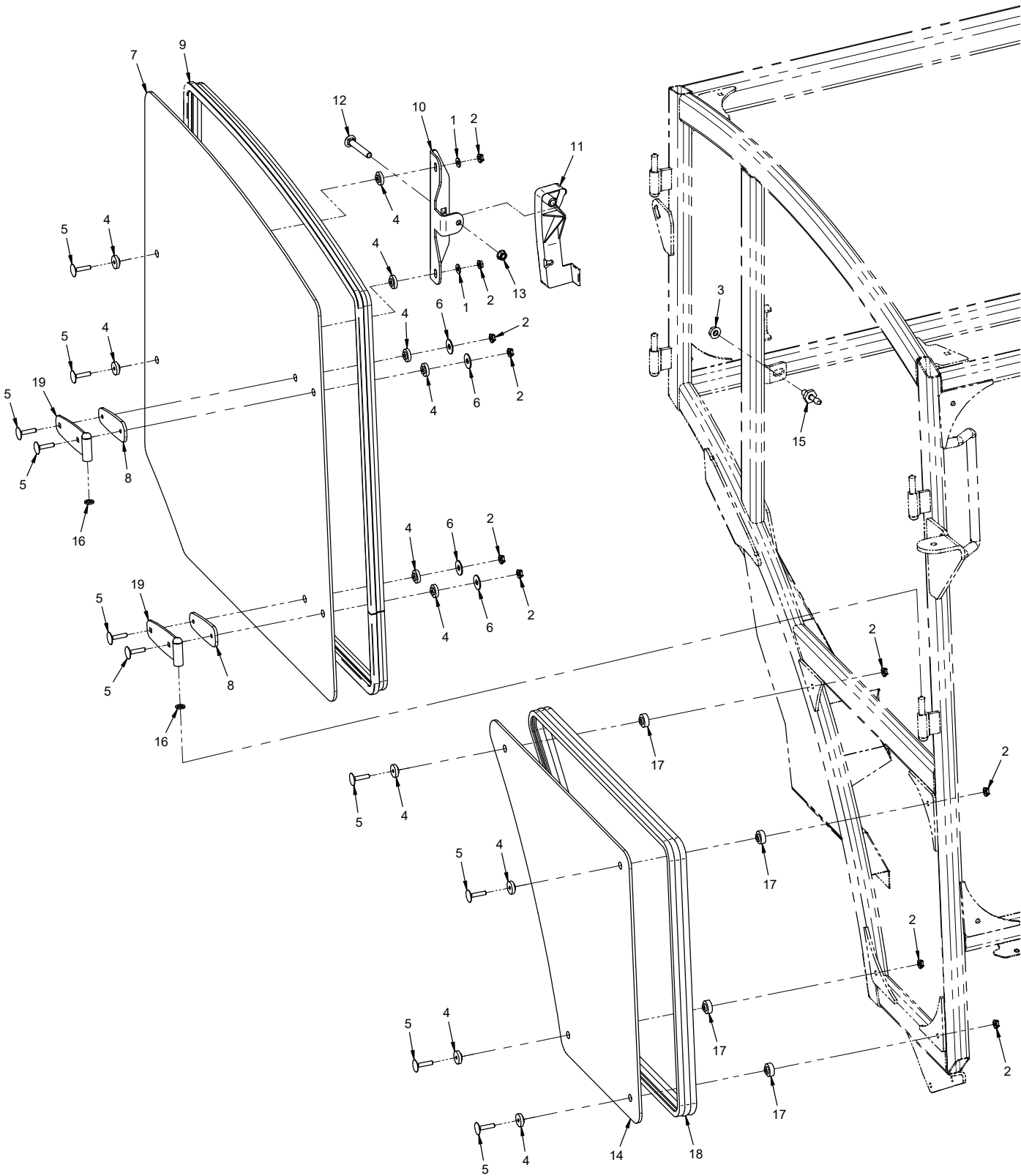
PARTS

Right Rear Window

REF.	PART NO.	DESCRIPTION	QTY.
1	95.05	WASHER, FLAT 5/16 SAE	3
2	99.SF05	NUT, SRF 5/16-18 USS	1
3	95.04	WASHER, FLAT 1/4 SAE	2
4	99.SF04	NUT, SRF 1/4-20 USS	4
5	90.0516	BOLT, 5/16-18 USS X 2"	1
6	99.A05N	LOCKNUT, NYLON 5/16-18 USS	1
7	07.020028	WINDOW, SIDE REAR LW450	1
8	07.0100382	BUSHING, NEOPRENE 5MM BLACK	8
9	99.K0115	BOLT, STEP 1/4-20X1-1/4 BLACK	4
10	07.0100380	WASHER, FLAT 1/4" YD	2
11	07.0100375	BRACKET, SIDE WINDOW LATCH	1
12	97.0508	BOLT, CARRIAGE 5/16 X 1"	1
13	06.0072-72IN	TRIM, SEAL DOUBLE BULB 3/16" X 72"	1
14	07.0100027	ARM, SIDE WINDOW LATCH LH	1
15	07.0100026	WASHER, HINGE - FLAT BRASS	2
16	07.0100033	BUSHING, LATCH	2
17	07.0801583	HINGE, LH 2PC TOP SINGLE BOLT	2

PARTS

ILLUSTRATED DRAWING Right Escape Window & Lower Right Window



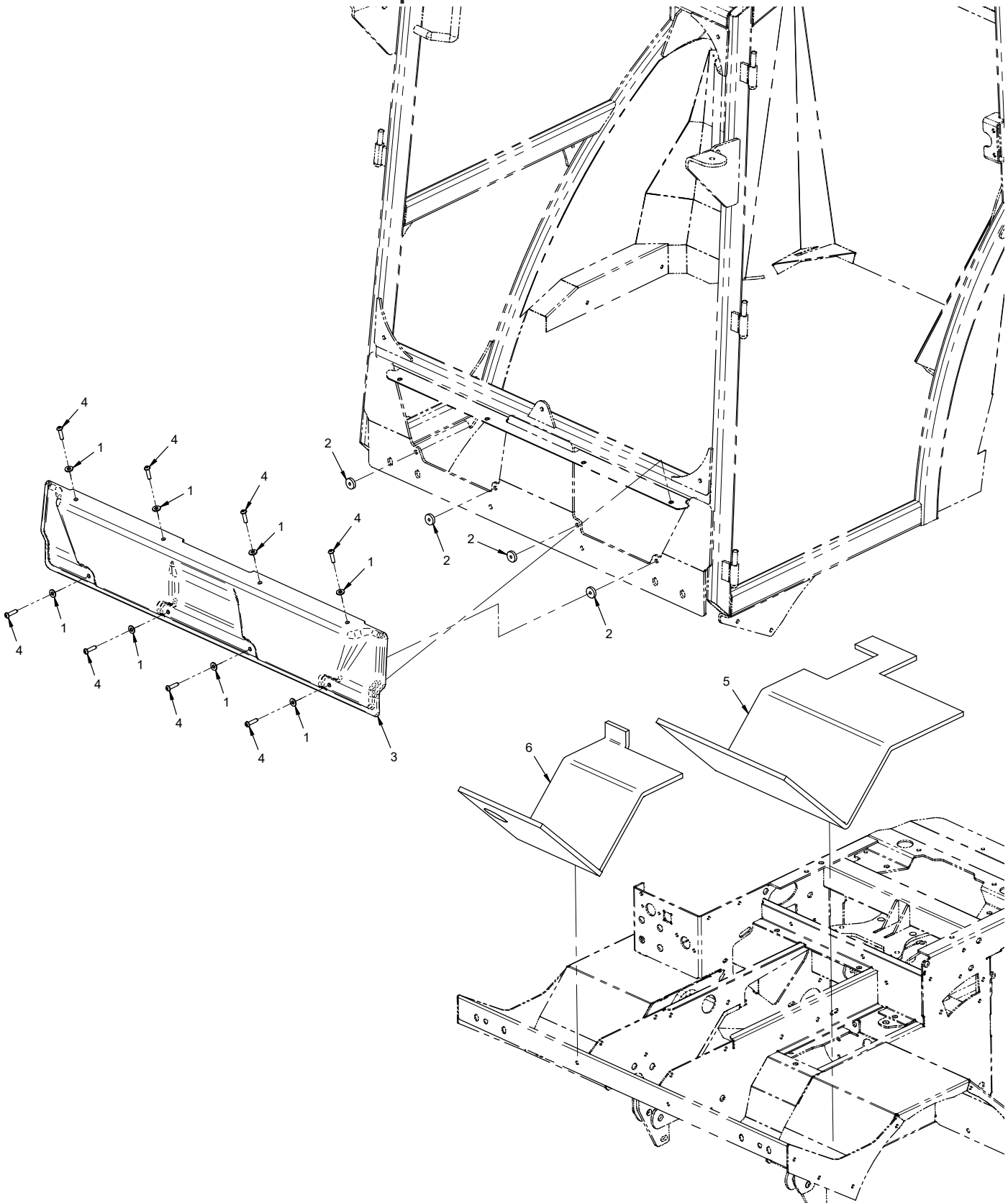
PARTS

Right Escape Window & Lower Right Window

REF.	PART NO.	DESCRIPTION	QTY.
1	95.04	WASHER, FLAT 1/4 SAE	2
2	99.SF04	NUT, SRF 1/4-20 USS	10
3	99.M0021	NUT, SMF M10 X 1.5	1
4	07.0100382	BUSHING, NEOPRENE 5MM BLACK	12
5	99.K0115	BOLT, STEP 1/4-20X1-1/4 BLACK	10
6	07.0100380	WASHER, FLAT 1/4" YD	4
7	07.020030	WINDOW, RIGHT ESCAPE LW450	1
8	07.0100362	GUARD, NEOPRENE 5MM BLACK	2
9	06.0072-120IN	TRIM, SEAL DOUBLE BULB 3/16" X 120"	1
10	07.0100385	BRACKET, ESCAPE WINDOW LATCH	1
11	07.0101833	ARM, ESCAPE WINDOW LATCH LH	1
12	97.0620	BOLT, CARRIAGE 3/8 X 2-1/2	1
13	07.0100018	NUT, 3/8 FLANGE LOCKING GR 8	1
14	07.020029	WINDOW, RIGHT LOWER LW450	1
15	07.0100019	PIN, WINDOW ARM	1
16	07.0100026	WASHER, HINGE - FLAT BRASS	2
17	07.0100381	BUSHING, NEOPRENE 8MM BLACK	4
18	06.0072-81IN	TRIM, SEAL DOUBLE BULB 3/16" X 81"	1
19	07.0101148	WELDMENT, DOOR HINGE LEFT	2

PARTS

ILLUSTRATED DRAWING Front Bumper/Foot Cover & Floor Mats



PARTS

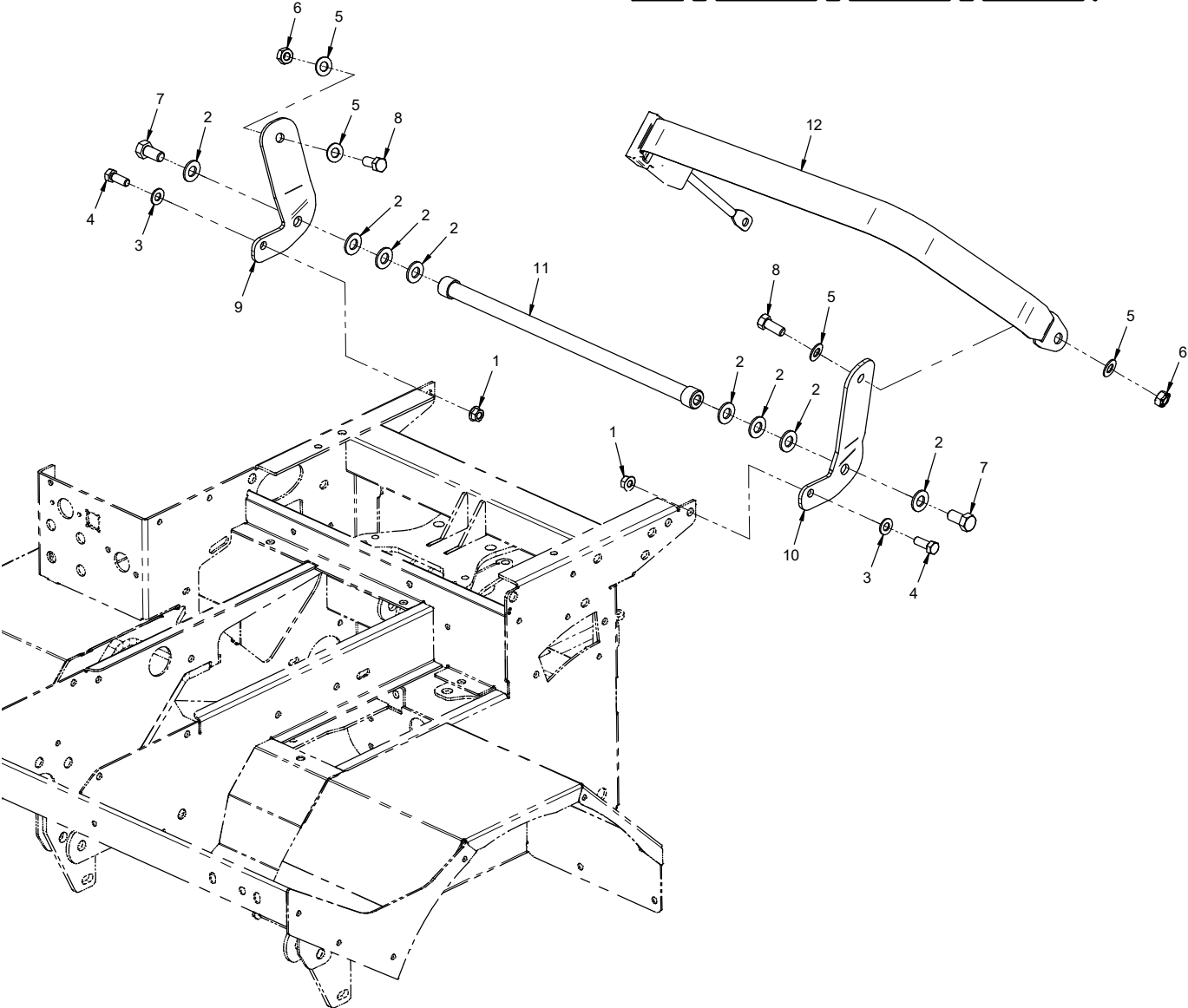
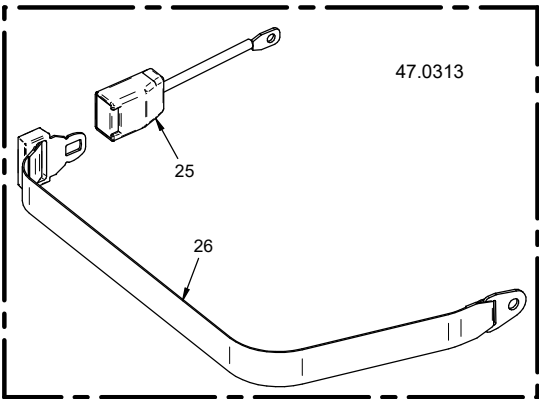
Front Bumper/Foot Cover & Floor Mats

REF.	PART NO.	DESCRIPTION	QTY.
1	95.04	WASHER, FLAT 1/4 SAE	8
2	07.0100382	BUSHING, NEOPRENE 5MM BLACK	4
3	07.0106532	PANEL, FRONT BUMPER	1
4	99.0408	BOLT, 1/4-20 X 1 BSCS	8
5	07.0106741	FLOOR MAT, LEFT	1
6	07.0106740	FLOOR MAT, RIGHT	1

PARTS

ILLUSTRATED DRAWING

Seat Belt



PARTS

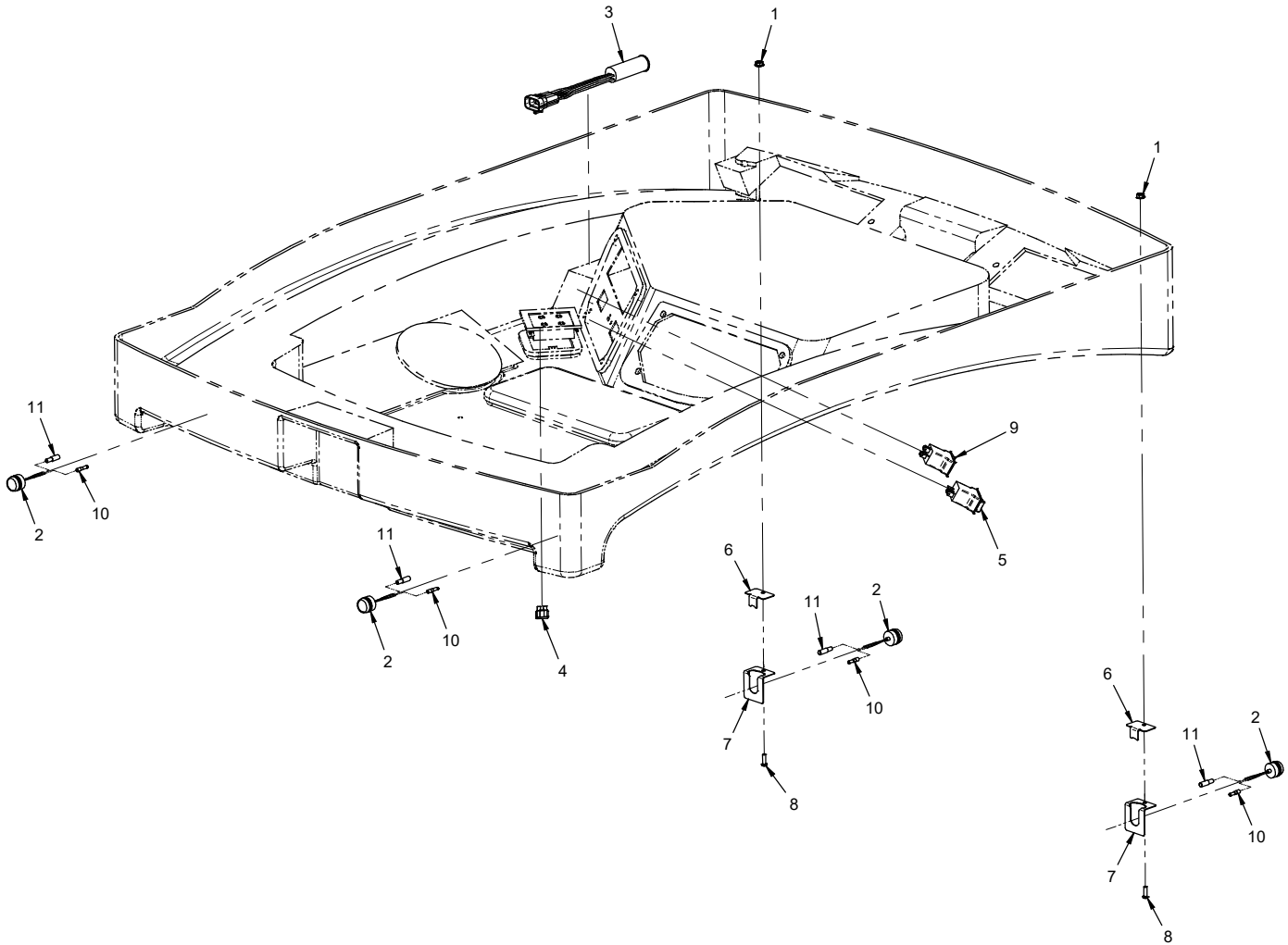
Seat Belt

REF.	PART NO.	DESCRIPTION	QTY.
1	99.SF06	.NUT, SRF 3/8-16 USS	2
2	95.08	.WASHER, FLAT 1/2 SAE	8^
3	95.06	.WASHER, FLAT 3/8 SAE	2
4	90.0608	.BOLT, 3/8-16 USS X 1	2
5	95.07	.WASHER, FLAT 7/16 SAE	4
6	99.A07	.LOCKNUT, STOVER 7/16-14 USS	2
7	90.0808	.BOLT, 1/2-13 USS X 1	2
8	90.0708	.BOLT, 7/16-14 USS X 1	2
9	64.1870	.BRACKET, SEAT BELT RIGHT LW450	1
10	64.1869	.BRACKET, SEAT BELT LEFT LW450	1
11	07.0802810	.ROD, SPACER SEAT BELT BKT	1
12	47.0313	.SEAT BELT, LAP W/BUCKLE	1
25	47.0313-2	.SEAT BELT, BUCKLE	1
26	47.0313-1	.SEAT BELT, LAP BELT	1

^Use washers as required between the seat belt bracket spacer rod and the right and left seat belt brackets.

PARTS

ILLUSTRATED DRAWING 70.8145 Directional Light Kit



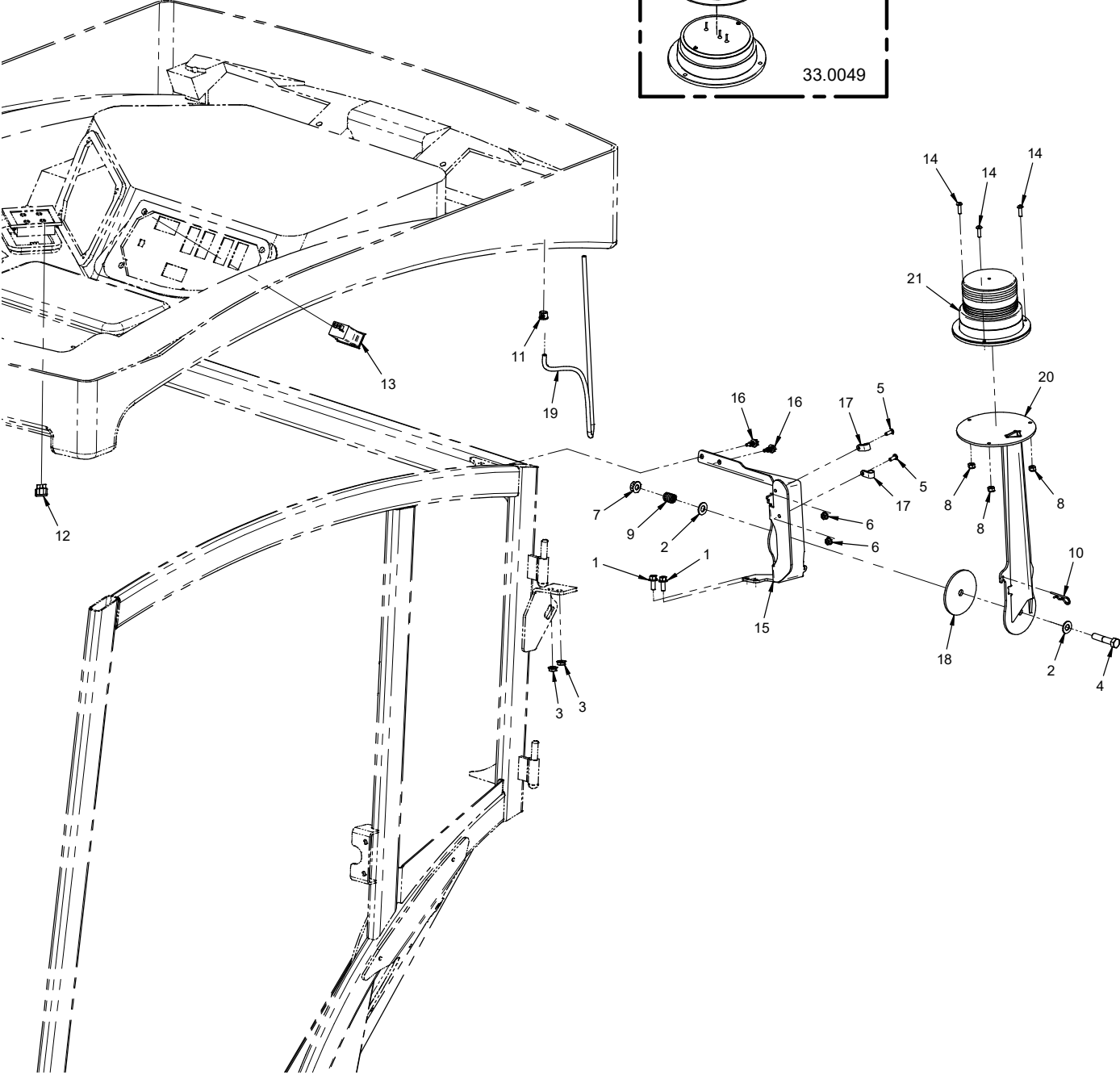
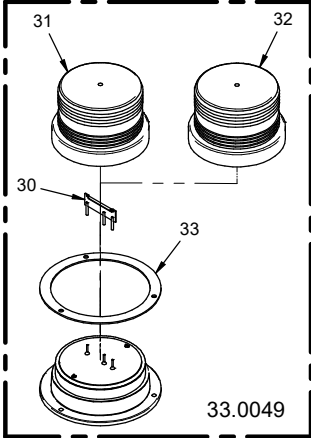
PARTS

70.8145 Directional Light Kit

REF.	PART NO.	DESCRIPTION	QTY.
1	99.E0035	.NUT, SRF #10-32	2
2	33.0067	.LIGHT, LED 3W ROUND - AMBER	4
3	35.0127	.MODULE, DIRECTIONAL LIGHT	1
4	30.0187	.FUSE, 5 AMP ATC BLADE - TAN	1
5	31.0050	.SWITCH, ROCKER ON/OFF	1
6	64.1852	.BRACKET, LIGHT CLAMP	2
7	64.1851	.BRACKET, LIGHT HOLDER	2
8	99.K0071	.MACHINE SCREW, #10-32 X 5/8	2
9	31.0051	.SWITCH, ROCKER ON/OFF/ON	1
10	30.0173	.TERMINAL, BULLET .156 M 18-22	4
11	30.0237	.TERMINAL, BULLET .156 F 18-22	4

PARTS

ILLUSTRATED DRAWING 70.2006-3 Strobe Beacon Kit



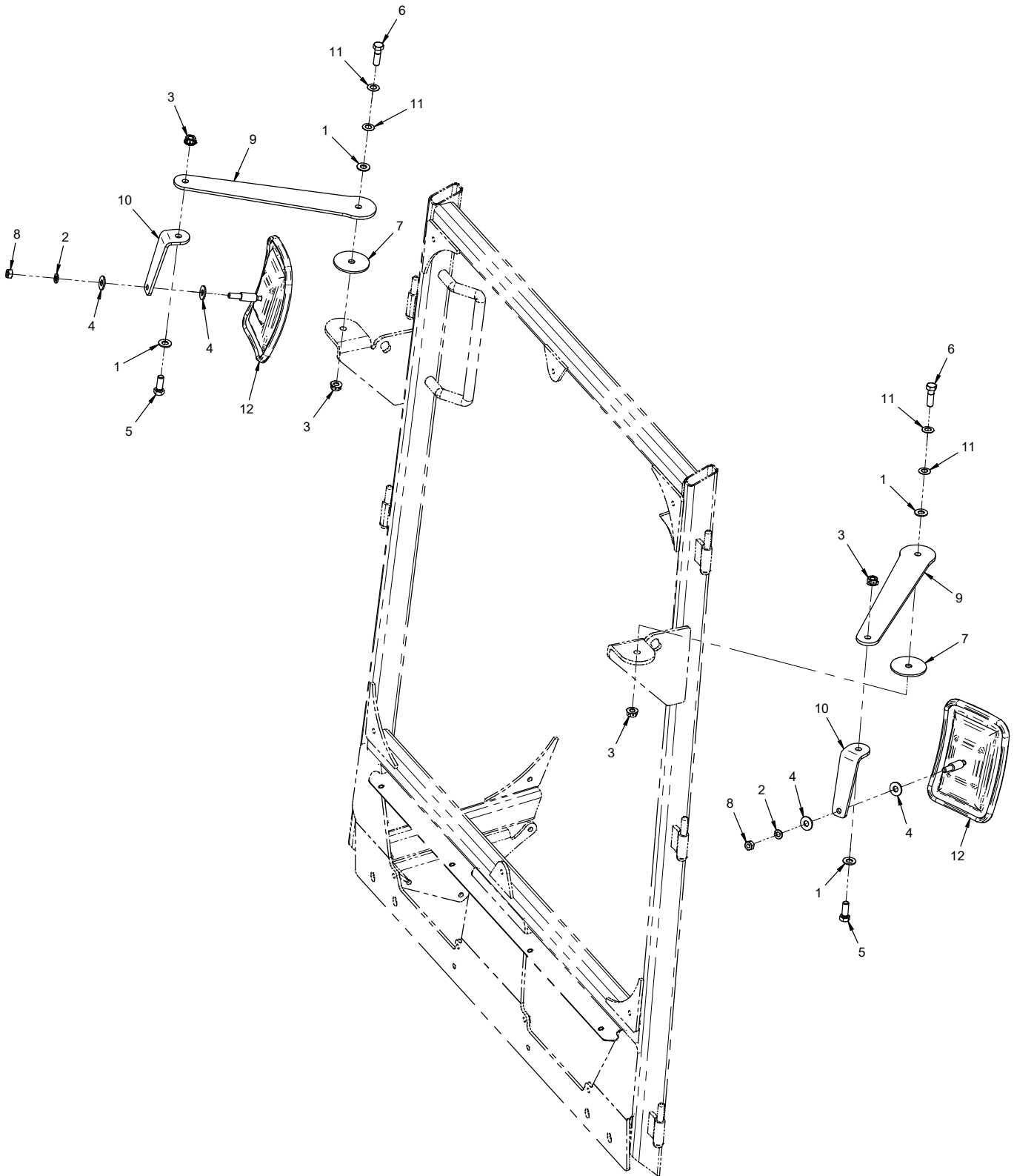
PARTS

70.2006-3 Strobe Beacon Kit

REF.	PART NO.	DESCRIPTION	QTY.
1	99.SF0405-1	.BOLT, SMF 1/4-20 X 5/8	2
2	95.06	.WASHER, FLAT 3/8 SAE	2
3	99.SF04	.NUT, SRF 1/4-20 USS	2
4	90.0614	.BOLT, 3/8-16 USS X 1-3/4	1
5	99.K0062	.MACHINE SCREW, #10-32 X 1/2	2
6	99.E0035	.NUT, SRF #10-32	2
7	99.E0082	.NUT, LOCKING FLANGE 3/8-16	1
8	99.A1032N	.LOCKNUT, NYLON 10-32 STAINLESS	3
9	41.0039	.SPRING, COMP. 9/16 OD X 5/8	1
10	02.HP0313	.HAIRPIN, 3/32 X 1-5/8	1
11	05.0072	.SNAP BUSHING, 3/8 ID X 1/2 OD	1
12	30.0187	.FUSE, 5 AMP ATC BLADE - TAN	1
13	31.0050	.SWITCH, ROCKER ON/OFF	1
14	99.K0071	.MACHINE SCREW, #10-32 X 5/8	3
15	64.1502	.BRACKET, STROBE LIGHT MOUNT	1
16	99.K0141	.SCREW, SELF DRILLING 1/4 X 3/4	2
17	30.0143	.CLAMP, WIRE MT 5/16 NYLON WHT	2
18	05.0013	.WASHER, FRIC. 3 OD X 3/8 ID	1
19	32.0098	.HARNESS, WIRE - KW350 STROBE	1
20	62.1331	.FRAME, STROBE LIGHT ARM	1
21	33.0049	.LIGHT, STROBE AMBER	1
30	33.0052	.BULB, STROBE LIGHT FOR 33.0049	1
31	33.0050	.LENS, STROBE - AMBER 3-1/2"	1
32	33.0051	.LENS, STROBE - BLUE 3-1/2" (Optional)	1
33	33.0049-1	.RING, CLAMP	1

PARTS

ILLUSTRATED DRAWING 70.2006-4 Mirror Kit



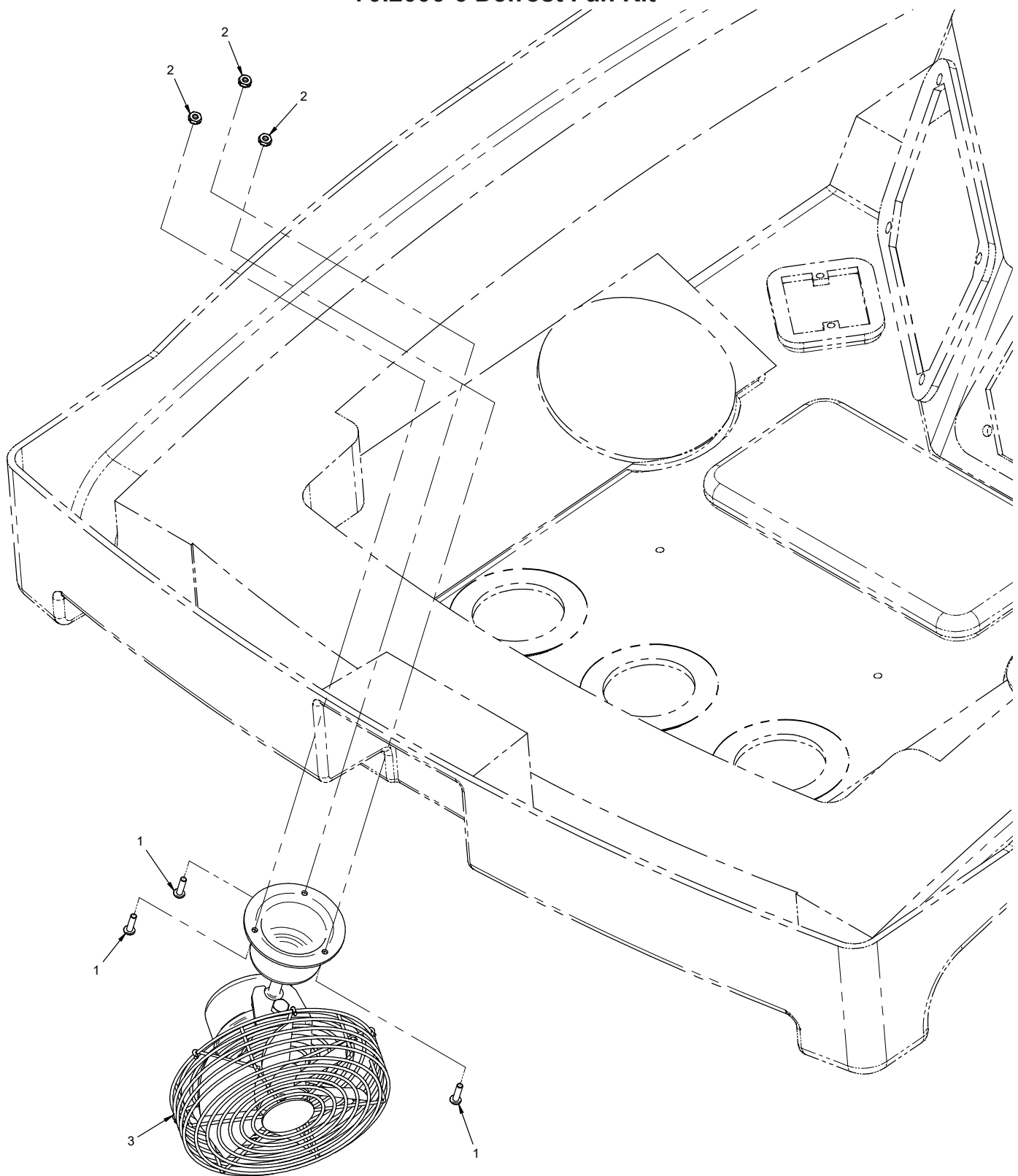
PARTS

70.2006-4 Mirror Kit

REF.	PART NO.	DESCRIPTION	QTY.
1	95.06	WASHER, FLAT 3/8 SAE	4
2	96.05	WASHER, LOCK 5/16	2
3	99.E0082	NUT, LOCKING FLANGE 3/8-16	4
4	94.05	WASHER, FLAT 5/16 USS	4
5	90.0608	BOLT, 3/8-16 USS X 1	2
6	90.0610	BOLT, 3/8-16 USS X 1-1/4	2
7	05.0002	WASHER, FRIC. 2-1/4 X 13/32	2
8	99.M0025	NUT, M8 X 1.25MM	2
9	64.1496	BRACKET, MIRROR ARM	2
10	64.1497	BRACKET, MIRROR MOUNT	2
11	41.0099	SPRING, DISC 3/8 ID X 3/4 OD	4
12	47.0290	MIRROR, CONVEX 5" X 7"	2

PARTS

ILLUSTRATED DRAWING 70.2006-6 Defrost Fan Kit



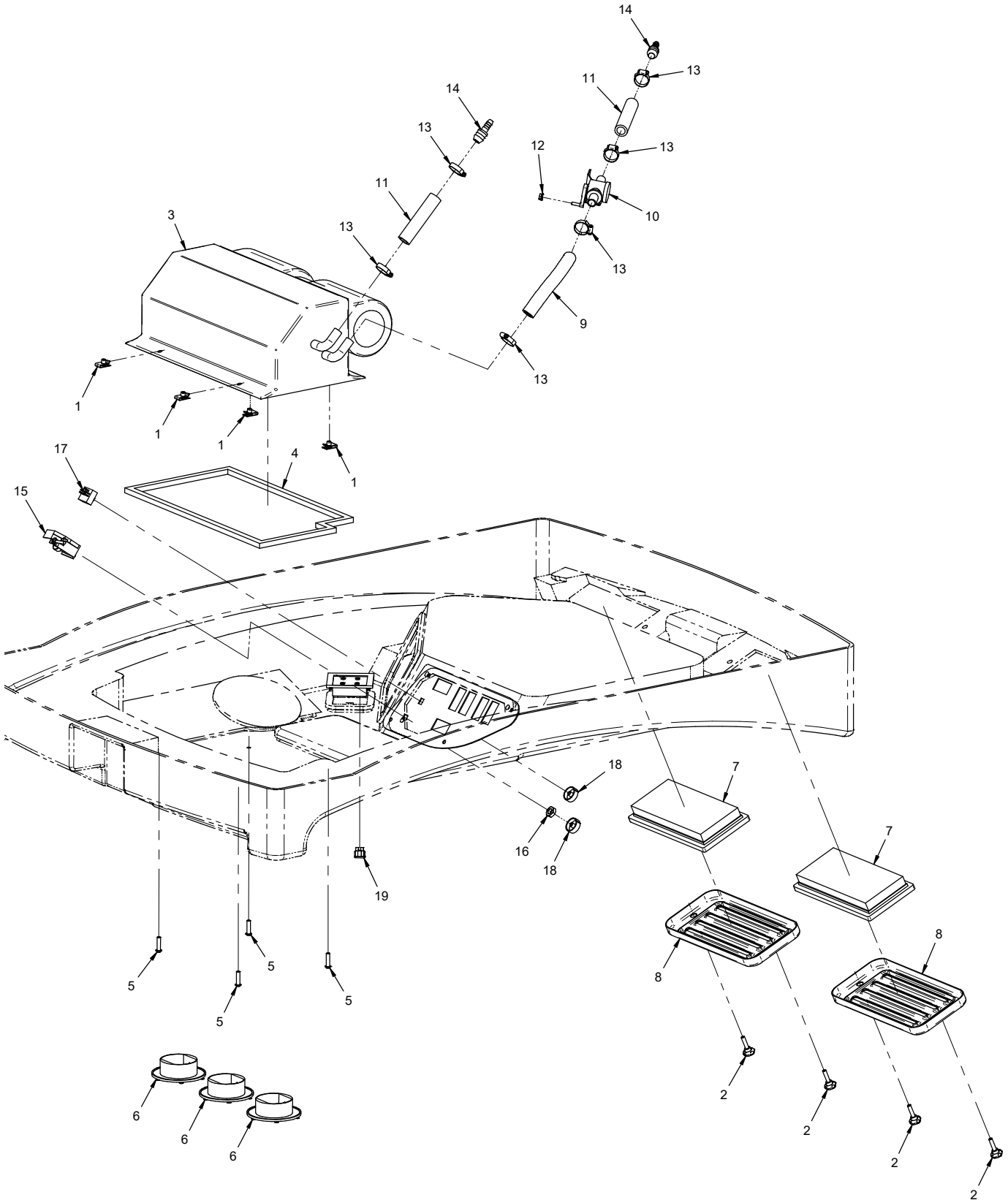
PARTS

70.2006-6 Defrost Fan Kit

REF.	PART NO.	DESCRIPTION	QTY.
1	99.K0047	MACHINE SCREW, #10-32 X 3/4	3
2	99.E0049	NUT, WASHER #10-32 (STAR NUT)	3
3	37.0051	FAN, DEFROSTER	1

PARTS

ILLUSTRATED DRAWING 70.8106 Console Fan/Heater Kit



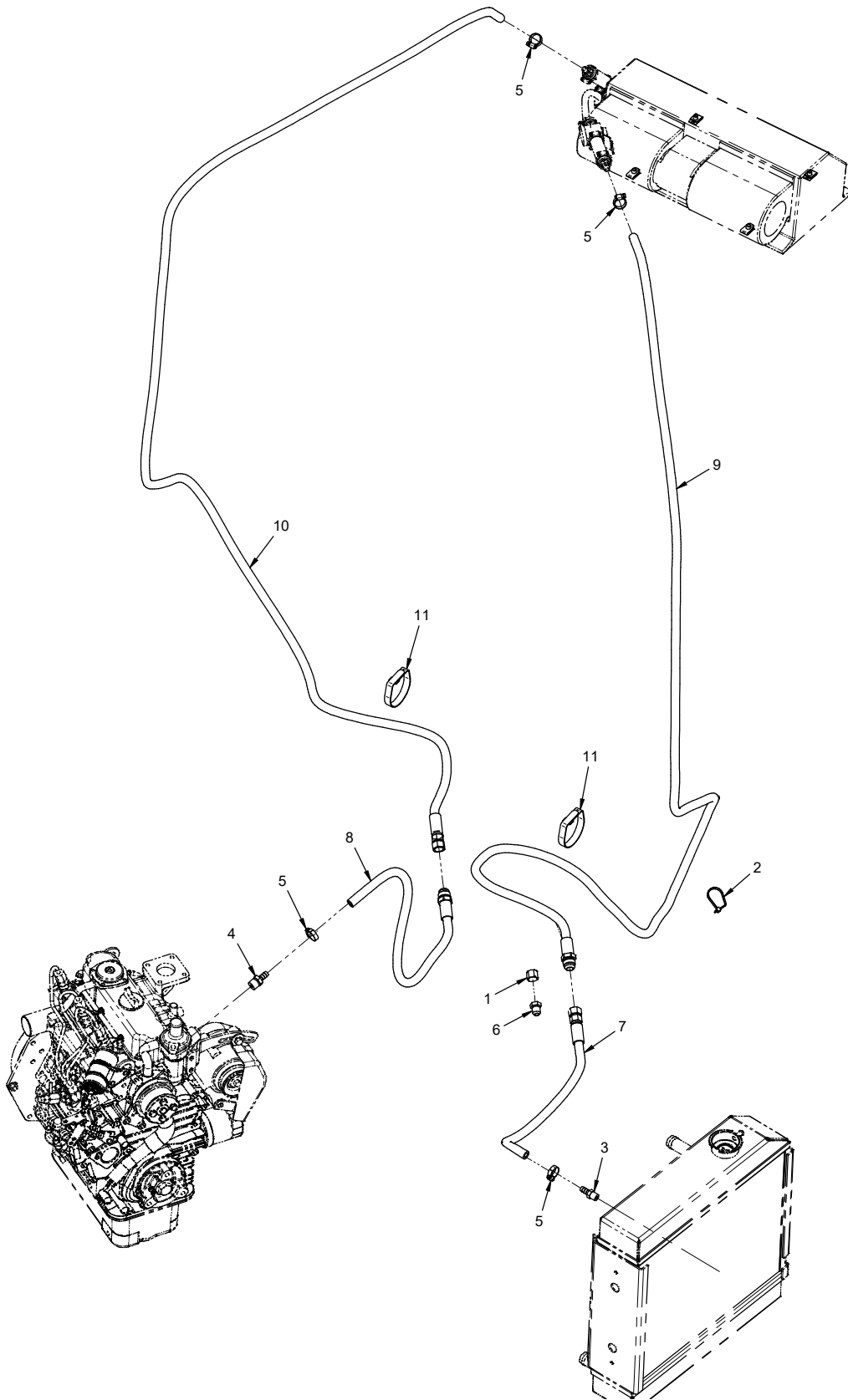
PARTS

70.8106 Console Fan/Heater Kit

REF.	PART NO.	DESCRIPTION	QTY.
1	99.E0046	.NUT, "U" 1/4-20 EXTRUDED	4
2	07.0102058	.KNOB, 1/4-20 X 1" 4-LOBE	4
3	07.0101034	.HEATER, UNIT	1
	07.010026	.HEATER, BLOWER ASSEMBLY	1
	07.0100194	.CORE, HEATER	1
	07.0100816	.MOTOR, FAN	1
	07.0100818	.FAN, REEL ONLY	1
	07.0100821	.HOUSING, FAN	1
4	07.0101167	.TAPE, FOAM 3/8 X 1/2 -55" LONG	1
5	07.0100441	.SCREW, BUTTON HEAD 1/4 X 1"	4
6	07.0100405	.VENT, LOUVER	3
7	07.0101452	.FILTER, AIR	2
8	07.0101451	.RETAINER, AIR FILTER VENTED	2
9	07.0101065-18IN	.HOSE, 5/8" ID X 18"	1
10	07.0100819	.VALVE, ROTARY	1
11	07.0101065-4IN	.HOSE, 5/8" ID X 4"	2
12	99.E0098	.NUT, SRF # 10-24	1
13	11.0052	.CLAMP, HOSE SS 13/16 X 1-1/2	6
14	07.0101077	.REDUCER, 5/8 X 3/8 BARB, NYLON	2
15	07.0100820	.CABLE, ACTUATOR W/NUT	1
16	07.0101223	.NUT, 7/16" X 28 UNEF ZP	1
17	07.0100158	.SWITCH, 3-SPEED FAN	1
18	07.0100817	.KNOB, HEATER	2
19	30.0166	.FUSE, 15 AMP ATC BLADE - BLUE	1

PARTS

ILLUSTRATED DRAWING 70.8144 Heater Install Kit For 3400Y



PARTS

70.8144 Heater Install Kit For 3400Y

REF.	PART NO.	DESCRIPTION	QTY.
1	25.304-C-06	.FITTING, CAP 3/8 #6 JIC	2
2	30.0204	.TYTON TIE, #50 .190 X 12"	10
3	29.BF06MP04	.FITTING, 3/8 BARB X 1/4 MP ST.	1
4	29.BF06MBSPT06	.FITTING, 3/8 BRB X 3/8 M BSPT	1
5	11.0032	.CLAMP, HOSE S/S 7/16-25/32	4
6	25.2408-06	.FITTING, PLUG -6 MJIC	2
7	22.0069	.HOSE, 3/8X20.00 HTR SAE J20R3	1
8	22.0068	.HOSE, 3/8X31.00 HTR SAE J20R3	1
9	22.0055	.HOSE, 3/8X104.00 HTR SAE J20R3	1
10	22.0057	.HOSE, 3/8X115.00 HTR SAE J20R3	1
11	30.0411	.VELCRO, CABLE TIE	2

WARRANTY



LIMITED WARRANTY - VENTRAC TURF EQUIPMENT

Venture Products, Inc., (henceforth referred to as V.P.I.) warrants on the terms and conditions herein, that it will repair, replace, or adjust any part manufactured by Venture Products Inc., and found by Venture Products, Inc., to be defective in material and/or workmanship during the applicable warranty term.

All Ventrac commercial equipment purchased and registered on or after January 1, 2019 will carry a 2-year commercial warranty. The warranty period begins on the date of original customer purchase:

Ventrac Commercial Equipment	Warranty Term
2100 SSV & Attachments	2-year
3000 Series Tractors & Attachments	2-year
4000 Series Tractors & Attachments	2-year

All Ventrac add-on kits and accessories such as: 3-point hitch, 12V front & rear power outlets, foot pedal, dual wheel kit, etc., will be covered under the above warranty periods provided they are installed by an Authorized Ventrac Dealer. This warranty may be transferred and will carry the remainder of the warranty starting from the original purchase/registration date with the dealership and/or V.P.I.

The engine warranty is covered by its respective engine manufacturer. Please refer to the engine manufacturer's warranty statement that is included in the owner's manual.

For warranty consideration on Ventrac commercial equipment, including any defective part, must be returned to an Authorized Ventrac Dealer within the warranty period. The warranty shall extend to the cost to repair or replace (as determined by V.P.I.) the defective part. The expense of pickup and delivery of equipment, service call drive time or any transportation expense incurred for warranty repair is the sole responsibility of the owner and is not covered under warranty by Ventrac and/or V.P.I. Ventrac and V.P.I.'s responsibility in respect to claims is limited to making the required repairs or replacements, and no claim of breach of warranty shall be cause for cancellation or rescission of the contract of sale of any Ventrac equipment. Proof of purchase may be required by the dealer to substantiate any warranty claim. Only warranty work performed and submitted by an Authorized Ventrac Dealer may be eligible for warranty credit.

This warranty extends only to Ventrac commercial equipment operated under normal conditions and properly serviced and maintained. The warranty expressly does NOT cover: (a) any defects, damage or deterioration due to normal use, wear and tear, or exposure; (b) normal maintenance services, such as cleaning, lubrication, oil change; (c) replacement of service items, such as oil, lubricants, spark plugs, belts, rubber hoses, bearings or other items subject to normal service replacement; (d) damage or defects arising out of, or relating to abuse, misuse, neglect, alteration, negligence or accident; (e) repair or replacement arising from operation of, or use of the equipment which is not in accordance with operating instructions as specified in the operator's manual or other operational instructions provided by V.P.I.; (f) repair or replacement arising as a result of any operation from Ventrac equipment that has been altered or modified so as to, in the determination of V.P.I., adversely affect the operation, performance or durability of the equipment or that has altered, modified or affected the equipment so as to change the intended use of the product; (g) repair or replacement necessitated by the use of parts, accessories or supplies, including gasoline, oil or lubricants, incompatible with the equipment or other than as recommended in the operator's manual or other operational instructions provided by V.P.I.; (h) repairs or replacements resulting from parts or accessories which have adversely affected the operation, performance or durability of the equipment; or (i) damage or defects due to or arising out of repair of Ventrac equipment by person or persons other than an authorized Ventrac service dealer or the installation of parts other than genuine Ventrac parts or Ventrac recommended parts.

WARRANTY



LIMITED WARRANTY - VENTRAC TURF EQUIPMENT

The sole liability of V.P.I. with respect to this warranty shall be the repair and replacement as set forth herein. V.P.I. shall have no liability for any other cost, loss, or damage. In particular V.P.I. shall have no liability or responsibility for: (i) expenses relating to gasoline, oil, lubricants; (ii) loss, cost or expense relating to transportation or delivery of turf equipment from the location of owner or location where used by owner to or from any Authorized Ventrac Dealer; (iii) travel time, overtime, after hours' time or other extraordinary repair charges or charge relating to repairs or replacements outside of normal business hours at the place of business of an Authorized Ventrac Dealer; (iv) rental of like or similar replacement equipment during the period of any warranty repair or replacement work; (v) any telephone or telegram charges; (vi) loss or damage to person or property other than that covered by the terms of this warranty; (vii) any claims for lost revenue, lost profit or additional cost or expense incurred as a result of a claim of breach of warranty; or (viii) attorney's fees.

The remedies of buyer set forth herein are exclusive and are in lieu of all other remedies. The liability of V.P.I., whether in contract, tort, under any warranty, or otherwise, shall not extend beyond its obligation as set forth herein. V.P.I. shall not be liable for cost of removal or installation nor shall V.P.I. be responsible for any direct, indirect, special or consequential damages of any nature. In no event shall V.P.I. be liable for any sum in excess of the price received for the goods for which liability is claimed.

There are no representations or warranties which have been authorized to the buyer of the Ventrac commercial equipment other than set forth in this warranty. Any and all statements or representations made by any seller of this equipment, including those set forth in any sales literature or made orally by any sales representative, are superseded by the terms of this warranty. Any affirmation of fact or promise made by V.P.I. or any of its representatives to the buyer which relates to the goods that are the subject to this warranty shall not be regarded as part of the basis of the bargain and shall not be deemed to create any express warranty that such goods shall conform to the affirmation or promise.

No employee, distributor, or representative is authorized to change the foregoing warranties in any way or grant any other warranty on behalf of V.P.I.

Some states do not allow limitations on how long an implied warranty lasts or allow the exclusion on limitation of incidental or consequential damages, so the above limitation or exclusion may not apply to you.

This warranty gives you specific legal rights, and you may also have other rights which vary from state to state.

This warranty applies to all Ventrac commercial equipment sold by Venture Products Inc.