



## PARTS MANUAL

# TRACTOR

## Model 4100

### SERIAL # 1391 -



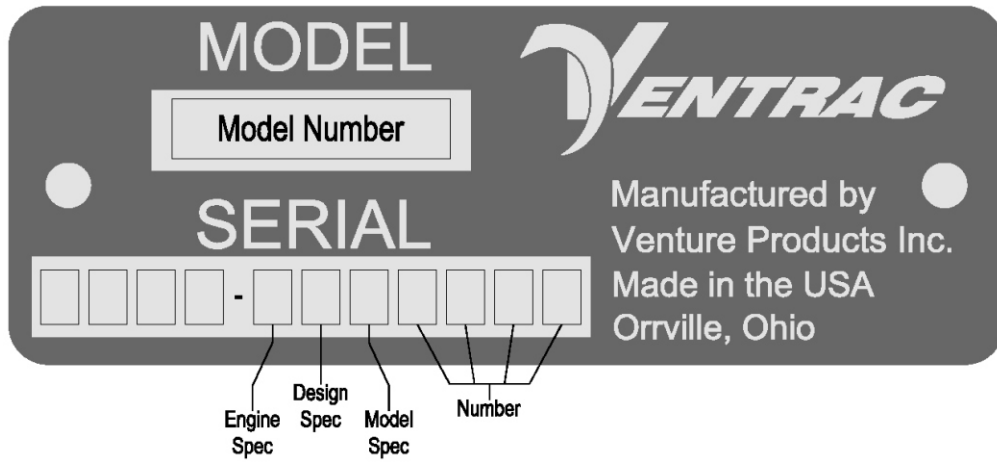
Revised 01/29/20  
09.20001-2 Rev. 05



# SERIAL NUMBER DESCRIPTION

---

## SERIAL NUMBER PLATE



### ENGINES

- G KAWASAKI 25 HP GAS AC
- K B&S VANG 31 HP GAS AC

# TABLE OF CONTENTS

---

<b>DECALS</b>	<b>SECTION A</b>
Replacement Decals . . . . .	A-1 - 2
<b>ELECTRICAL</b>	<b>SECTION B</b>
Kawasaki Wiring Diagram . . . . .	B-1 & 2
Briggs & Stratton Wiring Diagram . . . . .	B-3 & 4
<b>HYDRAULICS, AXLES, &amp; WHEELS</b>	<b>SECTION C</b>
Hydraulic Diagram . . . . .	C-1 & 2
Steering, Lift, & Auxiliary Hydraulics . . . . .	C-3 & 4
Pump & Front Filter . . . . .	C-5 & 6
Front Transaxle . . . . .	C-7 & 8
Rear Transaxle & Hydraulics . . . . .	C-9 & 10
Lift Valve & Rear Filter . . . . .	C-9 & 10
Axle & Tire . . . . .	C-11 & 12
Model 2600 Transaxle . . . . .	C-13 & 14
Model 15 Motor . . . . .	C-15 & 16
Model 15 Pump . . . . .	C-17 & 18
<b>ENGINE/ENGINE DRIVES</b>	<b>SECTION D</b>
Kawasaki Engine & Drive . . . . .	D-1 & 2
Kawasaki Engine Mount, Filters & Exhaust . . . . .	D-3 & 4
Kawasaki Fuel System . . . . .	D-5 & 6
Briggs & Stratton Engine . . . . .	D-7 & 8
Briggs & Stratton Drive Shaft & PTO Drive . . . . .	D-9 & 10
Briggs & Stratton Engine Mount, Exhaust, & Air Intake . . . . .	D-11 & 12
Briggs & Stratton Remote Oil Filter & Oil Cooler . . . . .	D-13 & 14
Briggs & Stratton Fuel System . . . . .	D-15 & 16
<b>FRAME, SHEET METAL</b>	<b>SECTION E</b>
Rear Frame, Upper . . . . .	E-1 & 2
Rear Frame, Lower . . . . .	E-3 & 4
Rear Hitch Assembly . . . . .	E-5 & 6
Seat Assembly . . . . .	E-7 & 8
Front Frame, Upper . . . . .	E-9 & 10
Front Frame, Lower . . . . .	E-11 & 12
Front Hitch . . . . .	E-13 & 14
Hood, Grill, & Dash . . . . .	E-15 & 16
Shields . . . . .	E-17 & 18

# TABLE OF CONTENTS

---

## CONTROLS & LINKAGE

## SECTION F

Hand Controls, Rear . . . . .	F-1 & 2
Forward/Reverse Rocker . . . . .	F-3 & 4
Pump Control Arm . . . . .	F-5 & 6
Neutral Position Assembly . . . . .	F-7 & 8
Park Brake, Throttle, & Choke . . . . .	F-9 & 10
High/Low Shift Linkage . . . . .	F-11 & 12
PTO Belt Tightener . . . . .	F-13 & 14

## OPTIONS

## SECTION G

3 Point Hitch Frame . . . . .	G-1 & 2
3 Point Hitch Arms . . . . .	G-3 & 4
3 Point Hitch Hydraulics . . . . .	G-5 & 6
3 Point Hitch Hydraulic Diagram . . . . .	G-7 & 8
70.4088 Rear Hydraulic Valve Kit . . . . .	G-9 & 10
70.4088 Rear Valve Hydraulic Diagram . . . . .	G-11 & 12
Dual Wheels . . . . .	G-13 & 14
Foot Pedal & Wheel Extensions . . . . .	G-15 & 16
70.2004 Fold Down Roll Bar . . . . .	G-17 & 18
Fenders, Weights, & Foot Pegs . . . . .	G-19 & 20
70.0104 Weight Transfer Kit . . . . .	G-21 & 22
70.0098 Canopy Kit . . . . .	G-23 & 24
39.56114 3N1 Hitch . . . . .	G-25 & 26
Rear Counterweight Bar & Rear Bumper . . . . .	G-27 & 28
70.4030 Light Bar Kit . . . . .	G-29 & 30
Slope Gauge, 12 Volt Outlet, & 12 Volt Front Plug . . . . .	G-31 & 32
Suspension Seat & Seat Lock . . . . .	G-33 & 34
70.4049 Canister Air Cleaner Kit (25 hp Kawasaki FH721D) . . . . .	G-35 & 36

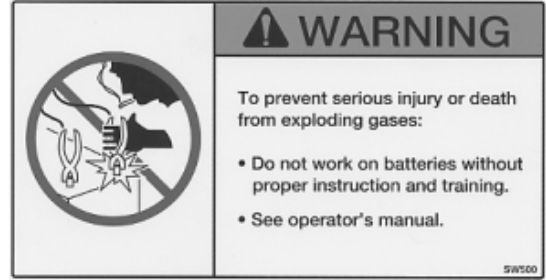
# DECALS



00.0192 - Flat V



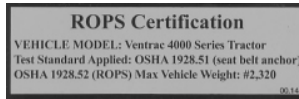
00.0121



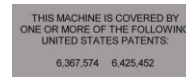
00.0124

## ALL WHEEL DRIVE

00.0138



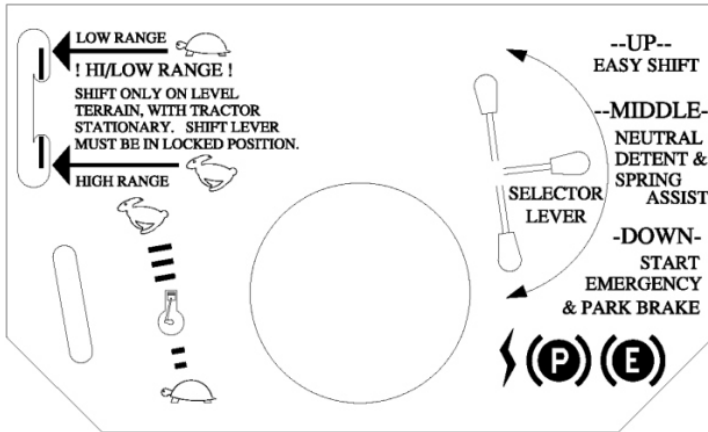
00.0145



00.0200



00.0100



00.0176



00.0168-1



00.0182



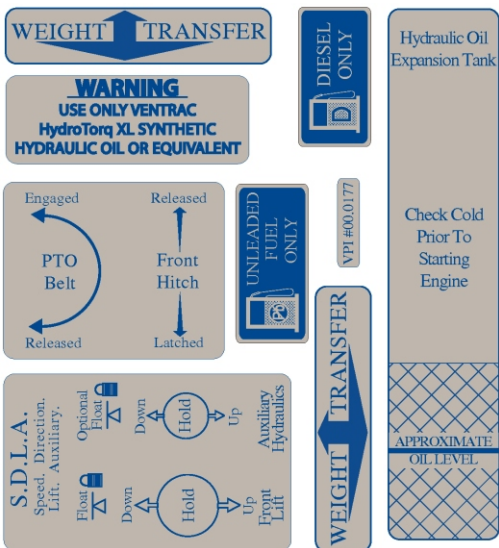
Raised V between Headlights

00.0210



Raised V on Steering Wheel

00.0207



00.0177



00.0216



00.0217



00.0218

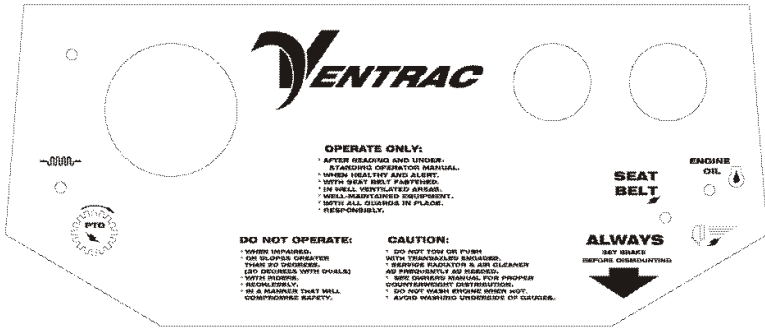


00.0220



00.0219

# DECALS



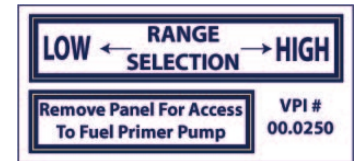
00.0175



00.0291



00.0178 Left Side - 25 HP Kawasaki



00.0250



00.0179 Right Side - 25 HP Kawasaki



00.0178-1 Left Side - 31 HP Briggs & Stratton



00.0179-1 Right Side - 31 HP Briggs & Stratton

VENTRAC FREQUENT SERVICE REFERENCE CHART			
INTERVAL	RECOMMENDED SERVICE	INTERVAL	GREASE
CHECK DAILY	1. Fluid level including: Engine oil, Hyd Oil & Radiator Coolant.*	EVERY 50 HOURS	Grease all locations shown in the figure below. One to two pumps of grease maximum for all specified locations.
	2. Air filter element/s (replace if necessary).		
	3. Radiator*, screen and engine compartment for debris. ■		
	4. Parking brake tension.		
	5. Tire pressure, wear, or damage.		
	6. Abnormal noise and vibrations, loose or missing hardware.		
	7. General machine function such as: Steering, S.D.L.A. Control, PTO etc.		
TIRES			
Tires	Standard - Max. Pressure	Torque	
All Terrain	8-16psi/55-110kPa	55 ft/lbs	
Bar	8-16psi/55-110kPa	55 ft/lbs	
Turf	15-20 psi/103-138kPa	55 ft/lbs	
All tire specifications listed above are for single tire applications and normal working conditions.			
* Applicable models only.			
■ More frequent service required in high heat and/or high dirt & debris conditions.			
▲ Refer to your Engine Operators Manual for oil specifications, and change intervals.			
◆ Refer to Tractor Operators Manual for full service schedule and instructions on service procedures.			
ENGINE OIL			
Check engine oil level daily. Add oil as required. DO NOT OVERFILL! ▲			
AIR FILTER			
Replace filter every 100 hours. ■			
HYDRAULIC OIL			
Use only Ventrac HydroTorqXL Synthetic hydraulic oil or equivalent.			

00.0251



00.0180



00.0181





# ELECTRICAL

## KAWASAKI WIRING DIAGRAM (20 amp charge system)

REF.	PART NO.	DESCRIPTION	QTY.
1	33.0030	BATTERY, HARRIS - 4000 (not shown)	1
2	30.0186	FUSE HOLDER, INLINE 35 AMP	1
4	30.0185	FUSE PANEL, 8 CIRCUIT ATC BLAD	1
7	30.0197	FUSE, 30 AMP ATC BLADE - GREEN.	1
8	30.0203	FUSE, 20 AMP, ATC BLADE YELLOW	1
9	30.0166	FUSE, 15 AMP ATC BLADE - BLUE	4
10.	30.0187	FUSE, 5 AMP ATC BLADE - TAN	1
11.	13.0078	SWITCH, IGNITION DELTA	1
12.	13.0080	KEY, IGNITION DELTA	1
13.	31.0035	SWITCH, CONTOUR OFF-ON-ON	1
14.	31.0038	ROCKER, SWITCH SOFT/BK/AMB LEN	1
16.	31.0036	SWITCH, CONTOUR ON-OFF DPST	1
17.	31.0037	ROCKER, SWITCH SOFT/BLK/NO LEN.	1
18.	31.0044	SWITCH, PUSH BUTTON - NEUTRAL	1
19.	31.0033	SWITCH, SEAT 2" ROUND GRAY (Standard Seat)	1
19.	31.0033-1	SWITCH, SEAT W/O GRAY HOUSING (Suspension Seat)	1
20.	35.0106	TIME DELAY, .5 SECOND	1
22.	33.0031	LIGHT, OIL RED HT	1
23.	33.0031	LIGHT, SEAT BELT/OIL RED.	1
26.	35.0103	RELAY, 50 AMP 5 POLE	2
27.	30.0196	CONNECTOR, 5 PIN RELAY MOUNT.	2
32.	35.0104	GAUGE, HR/TACH ROUND DIGITAL	1
33.	35.0101	GAUGE, VOLTMETER 12 VOLT	1
38.	30.0152	CONNECTOR, BULLET - 3 WAY STD. (not shown)	1
39.	37.0018	CLUTCH, ELECTRIC OGURA	1
41.	33.0043	LIGHT, HEAD 12V 55W HALOGEN	2
	33.0037	BULB, LIGHT(ONLY) FOR 55 WATT.	2
42.	33.0022	LIGHT, TAIL RED-SINGLE BULB	2
	33.0034	LENS, RED REPLACEMENT	2
	33.0038	BULB, LIGHT (ONLY) FOR 33.0022	2
43.	30.0202	DIODE, ASSEMBLY	1
46.	32.0021	CABLE, ASM POS. BAT. RED 76" (not shown)	1
47.	32.0022	CABLE, ASM NEG. BAT. BLK 74" (not shown).	1
54.	13.0195	PUMP, FUEL KAW 25HP.	1



# ELECTRICAL

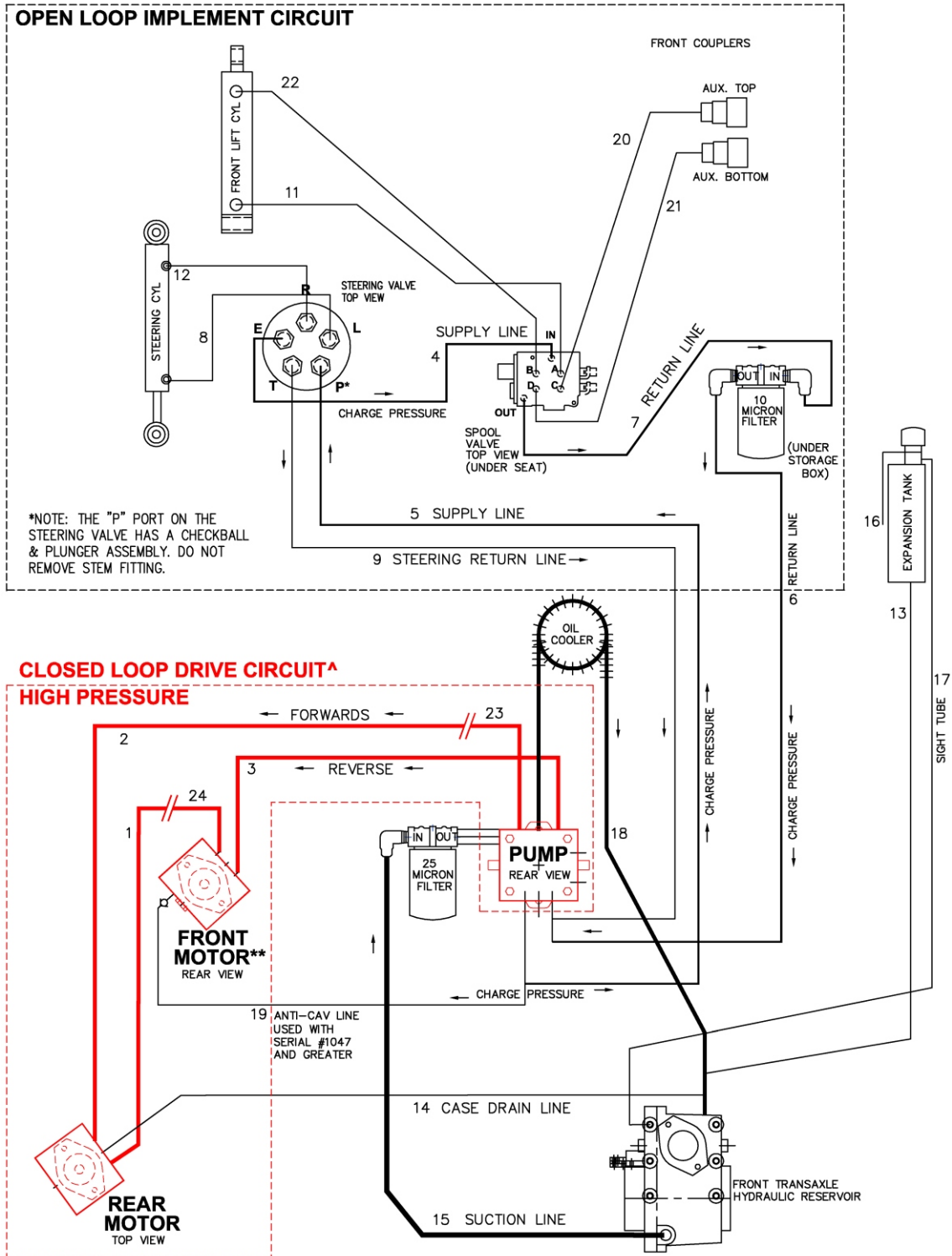
## BRIGGS & STRATTON WIRING DIAGRAM (50 amp charge system)

REF.	PART NO.	DESCRIPTION	QTY.
1	33.0030	BATTERY, HARRIS - 4000 (not shown)	1
2	30.0186	FUSE HOLDER, INLINE 35 AMP	1
4	30.0185	FUSE PANEL, 8 CIRCUIT ATC BLAD	1
7	30.0197	FUSE, 30 AMP ATC BLADE - GREEN.	1
9	30.0166	FUSE, 15 AMP ATC BLADE - BLUE	4
10	30.0187	FUSE, 5 AMP ATC BLADE - TAN	1
11	13.0078	SWITCH, IGNITION DELTA	1
12	13.0080	KEY, IGNITION DELTA	1
13	31.0035	SWITCH, CONTOUR OFF-ON-ON	1
14	31.0038	ROCKER, SWITCH SOFT/BK/AMB LEN	1
16	31.0036	SWITCH, CONTOUR ON-OFF DPST	1
17	31.0037	ROCKER, SWITCH SOFT/BLK/NO LEN.	1
18	31.0044	SWITCH, PUSH BUTTON - NEUTRAL	1
19	31.0033	SWITCH, SEAT 2" ROUND GRAY (Standard Seat)	1
19	31.0033-1	SWITCH, SEAT W/O GRAY HOUSING (Suspension Seat)	1
20	35.0106	TIME DELAY, .5 SECOND	1
22	33.0031	LIGHT, OIL RED HT	1
23	33.0031	LIGHT, SEAT BELT/OIL RED	1
26	35.0103	RELAY, 50 AMP 5 POLE	2
27	30.0196	CONNECTOR, 5 PIN RELAY MOUNT	2
32	35.0104	GAUGE, HR/TACH ROUND DIGITAL	1
33	35.0101	GAUGE, VOLTMETER 12 VOLT	1
39	37.0018	CLUTCH, ELECTRIC OGURA	1
41	33.0043	LIGHT, HEAD 12V 55W HALOGEN	2
	33.0037	BULB, LIGHT(ONLY) FOR 55 WATT.	2
42	33.0022	LIGHT, TAIL RED-SINGLE BULB	2
	33.0034	LENS, RED REPLACEMENT	2
	33.0038	BULB, LIGHT (ONLY) FOR 33.0022	2
43	30.0202	DIODE, ASSEMBLY (on harness)	1
46	32.0021	CABLE, ASM POS. BAT. RED 76" (not shown)	1
47	32.0022	CABLE, ASM NEG. BAT. BLK 74" (not shown).	1
51	13.0209	PUMP, FUEL 1-1/2 PSI (Serial # 1391-3640)	1

# HYDRAULICS, AXLES, & WHEELS

## ILLUSTRATED DRAWING HYDRAULIC DIAGRAM

ALL VIEWS ARE FROM REAR OF TRACTOR, OR AS NOTED



\*IF ANY PART OF THE CLOSED LOOP HYDROSTATIC DRIVE CIRCUIT (PUMP, FRONT DRIVE MOTOR, REAR DRIVE MOTOR, OR ANY OF THE THREE 1/2" HYDRAULIC LINES CONNECTING THEM TOGETHER) IS SERVICED OR REPLACED, THE VENTRAC CLOSED LOOP DRIVE CIRCUIT FILTRATION PROCEDURE MUST BE PERFORMED. THIS PROCEDURE REQUIRES A SPECIAL VENTRAC REMOTE FILTRATION TOOL (KIT # 70.0122) AND MUST BE PERFORMED BY A VENTRAC AUTHORIZED TECHNICIAN. FAILURE TO PERFORM THIS FILTRATION PROCEDURE FOLLOWING A REPAIR CAN RESULT IN COMPONENT AND/OR COMPLETE SYSTEM FAILURE AND MAY VOID WARRANTY.

\*\*NOTE: THE FRONT TRANSAXLE IS PART OF THE HYDRAULIC SYSTEM, SO THE FRONT MOTOR MUST HAVE THE SEAL REMOVED. THE REAR TRANSAXLE IS SEPARATE FROM THE HYDRAULIC SYSTEM, SO THE SHAFT SEAL IN THE REAR MOTOR MUST NOT BE REMOVED.

# HYDRAULICS, AXLES, & WHEELS

## HYDRAULIC DIAGRAM

REF.	PART NO.	DESCRIPTION	QTY.
1	20.0223	HOSE,ASM 1/2IDX77 SSBRAID-PTFE (Serial # 1391-1562)	1
1	20.0291	HOSE, ASM 1/2 ID X 75 SS BRAID (Serial # 1563-1572)	1
1	20.0276	HOSE, 1/2x48.50 SS BRAID PTFE (Serial # 1573-)	1
2	20.0224	HOSE,ASM 1/2IDX65 SSBRAID-PTFE (Serial # 1391-1562)	1
2	20.0290	HOSE, 1/2x63.00 SS BRAID PTFE (Serial # 1563-1572)	1
2	20.0275	HOSE, 1/2x53.50 SS BRAID PTFE (Serial # 1573-)	1
3	20.0225	5/8OD X .095W STEEL TUBE ZYP	1
4	20.0222	HOSE,ASM 3/8X55 CPE SAE100R1AT	1
5	20.0221	STEEL TUBE, 3/8 OD X .035W YZP.	1
6	20.0219	HOSE,ASM 3/8X40 CPE SAE100R1AT	1
7	20.0220	HOSE,ASM 3/8X32 CPE SAE100R1AT	1
8	20.0173	HOSE, ASM X 42" 1/4-1 W.	1
9	20.0218	STEEL TUBE, 3/8OD X .035W YZP	1
11	20.0213	HOSE, ASM C 1/4 X 46"-2750	1
12	20.0113	HOSE, ASM X 38" 1/4-1W	1
13	22.0024	HOSE, ASM X 11-1/4" 1/2 P.LOC	1
14	22.0025	HOSE, ASM X 53" 3/8 PUSHLOCK	1
15	22.0044	HOSE, ASM X 20.5 5/8 CPE P.LOC	1
16	27.F04-36IN	HOSE, FUEL LINE X 1/4 X 36"	1
17	27.T04-36IN	TUBE, TEFLON 1/4 OD X .187 ID X 36" (Serial # 1391-1434)	1
17	27.T06-1-32IN	TUBE, PDF 3/8 OD C 1/4 ID X 32" (Serial # 1435-)	1
18	20.0226	TUBE, OIL COOLING RETURN	1
19	20.0187	HOSE, ASM X 13-1/2" 1/4"-3000.	1
20	20.0116	HOSE, 1/4x56.00 SAE 100R17AR (1391-1572)	1
20	20.0137	HOSE, 1/4x60.00 SAE 100R17 AR (Serial # 1573-)	1
21	20.0116	HOSE, 1/4x56.00 SAE 100R17AR (1391-1572)	1
21	20.0139	HOSE, 1/4x58.00 SAE 100R17 AR (Serial # 1573-)	1
22	20.0294	HOSE, 1/4x54.50 SAE 100R17 AR	1
23	20.0277	STEEL TUBE, 1/2" OD X .065 W (Serial # 1573-	1
24	20.0286	STEEL TUBE, 1/2" OD X .065 W (Serial # 1573-	1

Straight Thread O-Ring Boss - O-Ring Replacement Part Numbers						
SAE Fitting Size	Thread Size	VPI Part #	ID	OD	Width	AS568A Dash #
-04	7/16-20	26.0035	0.351"	0.495"	0.072"	904
-06	9/16-18	26.0036	0.468"	0.624"	0.078"	906
-08	3/4-16	26.0037	0.644"	0.818"	0.087"	908
-10	7/8-14	26.0038	0.755"	0.949"	0.097"	910
-12	1-1/16-12	26.0039	0.924"	1.156"	0.116"	912
-16	1-5/16-12	26.0043	1.171"	1.403"	0.116"	916

O-Ring Face Seal Hose - O-Ring Replacement Part Numbers						
SAE Fitting Size	Thread Size	VPI Part #	ID	OD	Width	AS568A Dash #
-04	9/16-18	26.0044	0.301"	0.441"	0.070"	011
-06	11/16-16	26.0025	0.364"	0.504"	0.070"	012
-08	13/16-16	26.0009	0.489"	0.629"	0.070"	014
-10	1-14	26.0023	0.614"	0.754"	0.070"	016
-12	1-3/16-12	26.0045	0.739"	0.879"	0.070"	018
-16	1-7/16-12	26.0046	0.926"	1.066"	0.070"	021



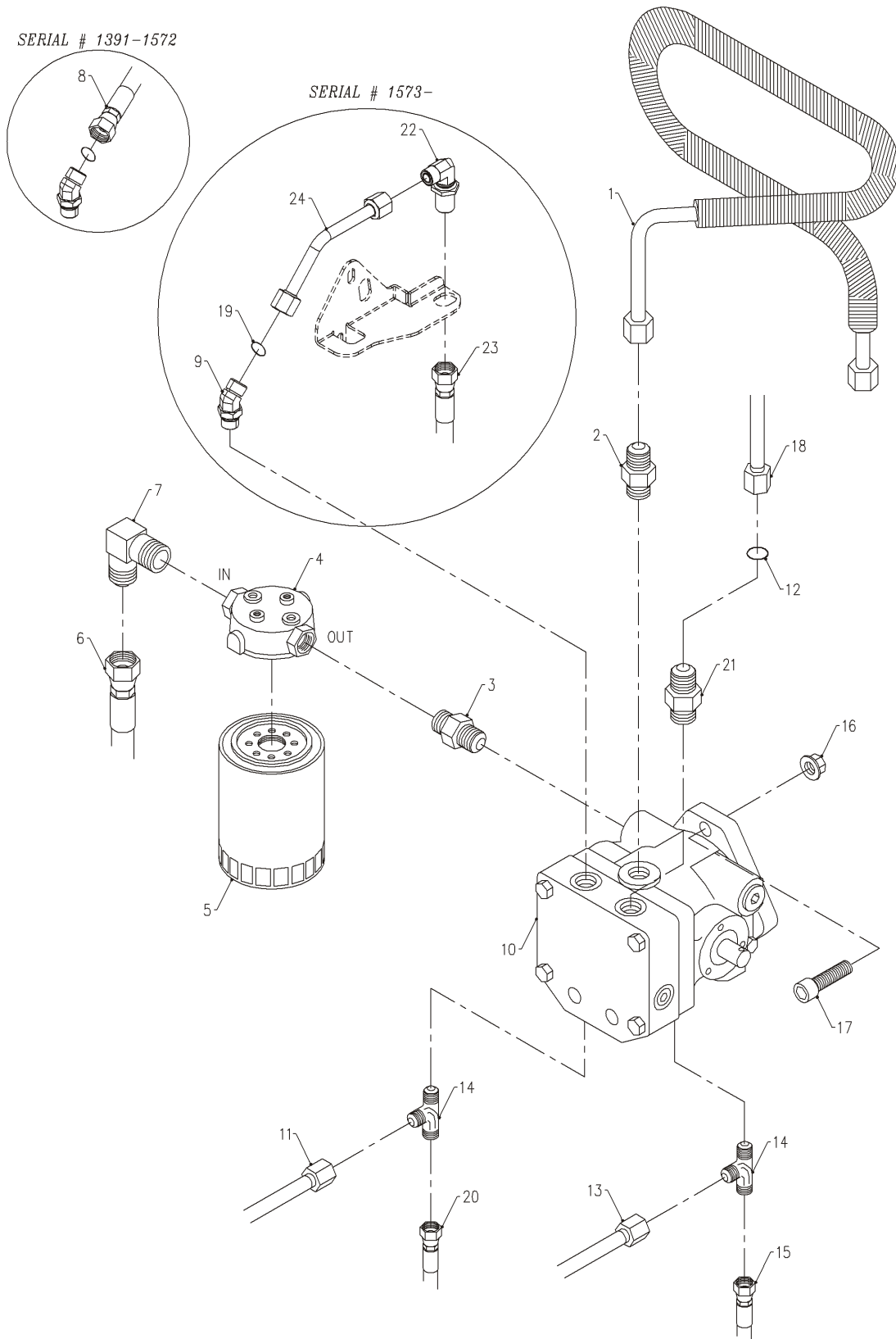
# HYDRAULICS, AXLES, & WHEELS

## STEERING, LIFT, & AUXILIARY HYDRAULICS

REF.	PART NO.	DESCRIPTION	QTY.
1	23.0129	CYLINDER, 1-1/2" X 8" STEERING	1
2	99.A10NF	LOCKNUT, STOVER 5/8-18 SAE (Serial # 1391-1568)	2
2	99.E0095	LOCKNUT, 5/8-11 HEAVY NYLON (Serial # 1569-)	2
3	25.6801-06-06	FITTING, 90 ME 3/8 X 3/8	4
4	20.0113	HOSE, ASM X 38" 1/4-1W	1
5	20.0173	HOSE, ASM X 42" 1/4-1 W.	1
6	91.1018	BOLT, 5/8-18 SAE X 2 1/4 (Serial # 1391-1568)	2
6	99.K0112	BOLT, 5/8-11 X 2-1/2 GRD A325 (Serial # 1569-)	2
7	25.6500-06-06	FITTING, 90 MFE 3/8 X 3/8	1
8	90.0820	BOLT, 1/2-13 USS X 2 1/2	1
10	20.0213	HOSE, ASM C 1/4 X 46"-2750	1
11	64.0749	BUSHING, 33/64 X 1 X 1-1/16	1
12	95.08	WASHER, FLAT 1/2 SAE.	2
13	99.A08	LOCKNUT, STOVER 1/2-13 USS	2
14	23.0128	CYLINDER, 2" X 8" LIFT	1
15	23.0126	PLUG, NYLON FOR 23.0106.	2
16	23.0106	COUPLER, HYD. QUICK FEMALE 1/4	2
17	64.1163	BRACKET, HYD QUICK COUPLER	1
18	64.0951	BUSHING, 33/64ID X 1 OD X2-3/4.	1
19	90.0832	BOLT, 1/2-13 USS X 4	1
20	99.SF05	NUT, SF 5/16-18 USS	2
21	20.0222	HOSE,ASM 3/8X55 CPE SAE100R1AT	1
22	20.0218	STEEL TUBE, 3/8OD X .035W YZP	1
23	20.0221	STEEL TUBE, 3/8 OD X .035W YZP.	1
24	64.0915	PLATE, STEER POST BOTTOM ANCH	1
25	23.0113	VALVE, STEERING-DANFOSS 100CC	1
25	89.0095	KIT, SEAL 23.0113 STEER VALVE.	1
26	96.05	WASHER, LOCK 5/16	2
27	99.M0009	BOLT, M8 X 1.25 P X 25 MM LONG	2
28	99.SF04	NUT, SF 1/4-20 USS	2
29	99.SF0404-1	BOLT, SF 1/4-20 X 1/2 W/RUBBER	2
30	47.0117	STEERING WHEEL, 16MM X 40T HT	1
31	99.E0011	NUT, JAM 5/8 SAE	1
32	47.0118	CAP, STEERING WHEEL HT	1
33	00.0207	DECAL, VENTRAC DOME.	1
34	25.2706-04-06LN	FITTING, BULKHEAD W/LOCKNUT	2
35	99.SF0506	BOLT, SF 5/16-18 USS X 3/4.	2
36	05.0116	WASHER, .544ID x .817 x.14 RED.	1
37	05.0117	WASHER, .544ID x .817 x.14 YEL	1
38	20.0294	HOSE, 1/4x54.50 SAE 100R17 AR	1
39	20.0116	HOSE, 1/4x56.00 SAE 100R17AR (1391-1572)	1
39	20.0137	HOSE, 1/4x60.00 SAE 100R17 AR (Serial # 1573-)	1
40	20.0116	HOSE, 1/4x56.00 SAE 100R17AR (1391-1572)	1
40	20.0139	HOSE, 1/4x58.00 SAE 100R17 AR (Serial # 1573-)	1

# HYDRAULICS, AXLES, & WHEELS

## ILLUSTRATED DRAWING PUMP & FRONT FILTER





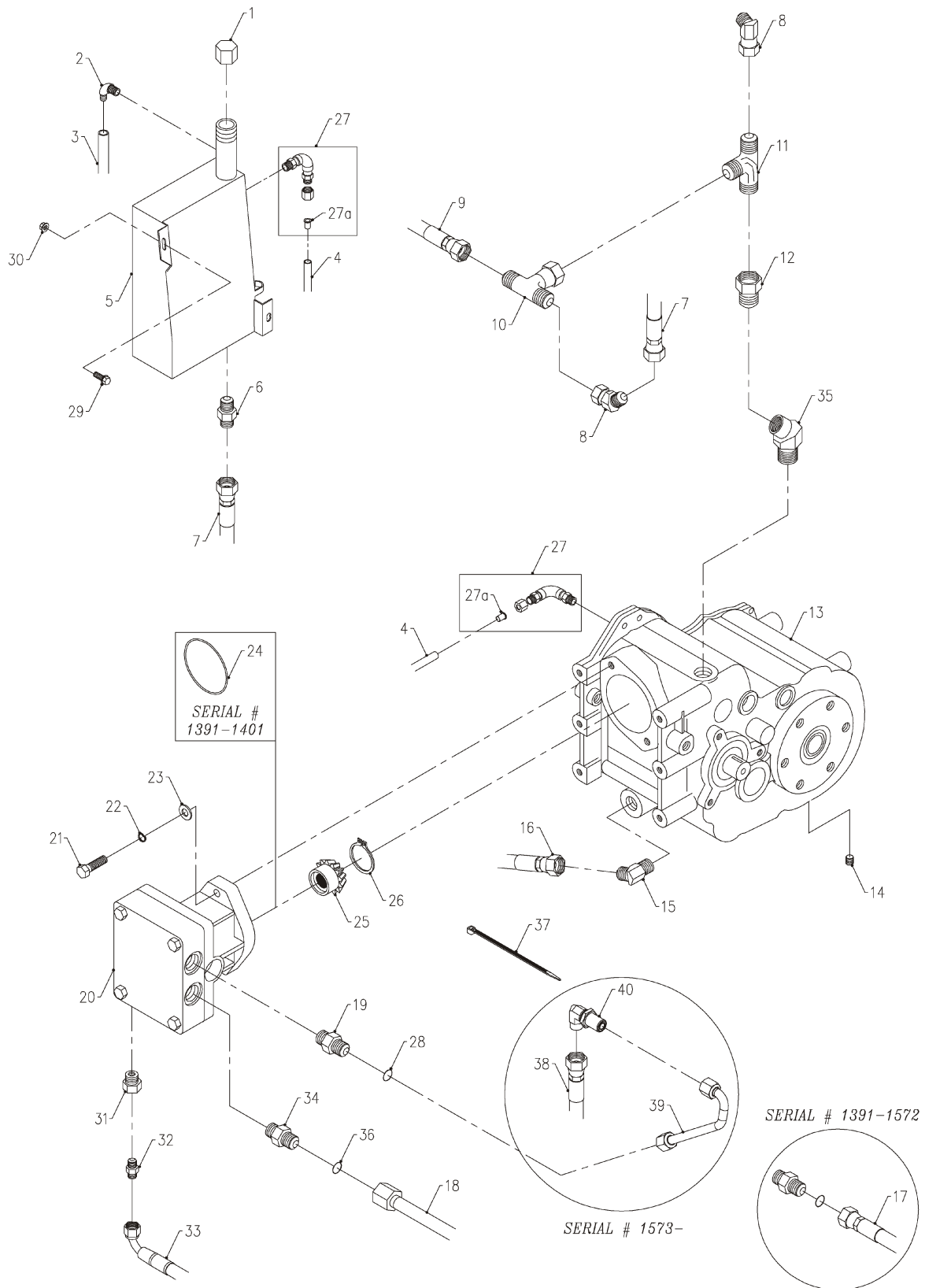
# HYDRAULICS, AXLES, & WHEELS

## PUMP & FRONT FILTER

REF.	PART NO.	DESCRIPTION	QTY.
1	20.0226	TUBE, OIL COOLING RETURN	1
2	25.6400-08-08	FITTING, M CONN 1/2 X 1/2	1
3	25.6401-10-08	FITTING, M ADPT 5/8 X 1/2 (Serial # 1391-1572)	1
3	25.6407-10-10	FITTING, M. ADAPTER -10 X -10 (Serial # 1573-)	1
4	21.0082	FILTER, HEAD 1/2" NPT PORT (Serial # 1391-1572)	1
4	21.0119	FILTER, HEAD -10 ORB PORTS (Serial # 1573-)	1
5	21.0001	FILTER, HYDRAULIC ZINGA AE25.	1
6	22.0044	HOSE, ASM X 20.5 5/8 CPE P.LOC	1
7	25.2501-10-08	FITTING, 90 ME 5/8 X 1/2 (Serial # 1391-1572)	1
7	25.6801-10-10	FITTING, 90 ME 5/8 X 5/8 (Serial # 1573-)	1
8	20.0224	HOSE,ASM 1/2IDX65 SSBRAID-PTFE (Serial # 1391-1562)	1
8	20.0290	HOSE, 1/2x63.00 SS BRAID PTFE (Serial # 1563-1572)	1
9	25.FF6802-08-08	FITTING, 45 ELBOW - 8MFF X 8MB.	1
10	21.0080	PUMP, HYD. SUNDSTRAND	1
11	20.0221	STEEL TUBE, 3/8 OD X .035W YZP.	1
12	26.0023	O-RING, .070 X .614ID 90D	A/R
13	20.0218	STEEL TUBE, 3/8OD X .035W YZP	1
14	25.6804-6-6-6	FITTING, M TEE 3/8 X 3/8 X 3/8	2
15	20.0219	HOSE,ASM 3/8X40 CPE SAE100R1AT	1
16	99.SF08	NUT, SF 1/2-13 USS	2
17	99.K0039	BOLT, SHCS 1/2 X 1 1/2.	2
18	20.0225	5/8OD X .095W STEEL TUBE ZYP	1
19	26.0009	O-RING, .070 X .489 ID 90D.	A/R
20	20.0187	HOSE, ASM X 13-1/2" 1/4"-3000.	1
21	25.FF6400-10-08	FITTING, CONNECTOR 5/8 X 1/2	1
22	25.FF2701-08-08LN	FITTING, 90 BULKHED 1/2 w/LNUT (Serial # 1573-)	1
23	20.0275	HOSE, 1/2x53.50 SS BRAID PTFE (Serial # 1573-)	1
24	20.0277	STEEL TUBE, 1/2" OD X .065 W (Serial # 1573-)	1

# HYDRAULICS, AXLES, & WHEELS

## ILLUSTRATED DRAWING FRONT TRANSAXLE



# HYDRAULICS, AXLES, & WHEELS

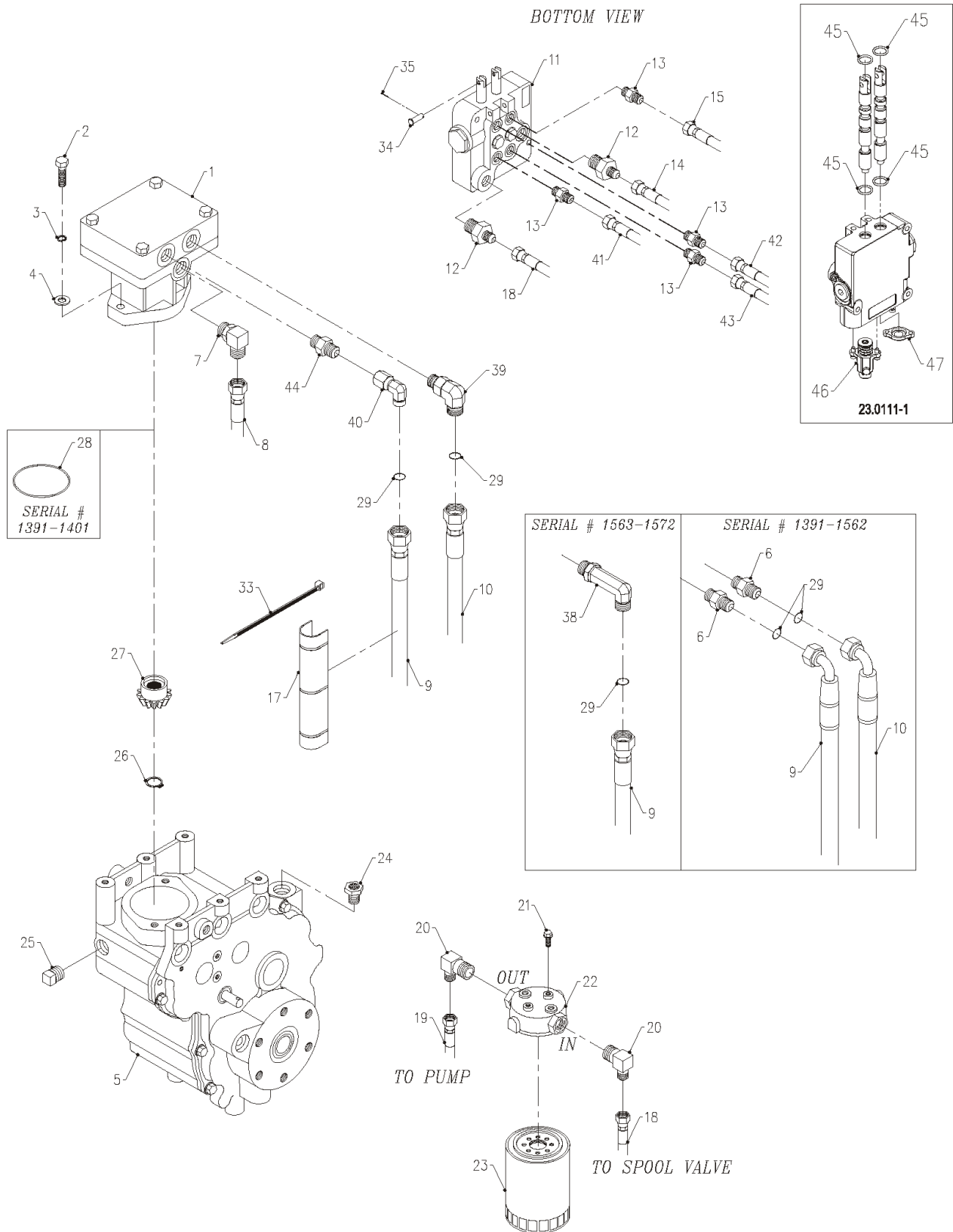
## FRONT TRANSAXLE

REF.	PART NO.	DESCRIPTION	QTY.
1	29.C12H	PIPE, CAP 3/4 NPT HEX ZP	1
2	29.BF04MP0290-1	FITTING B. 1/4 BRB 1/8 NPT 90	1
3	27.F04-36IN	HOSE, FUEL LINE X 1/4 /FT X 36"	1
4	27.T04-36IN	TUBE, TEFLON 1/4 OD X .187 ID X 36" (Serial # 1391-1434)	1
4	27.T06-1-32IN	TUBE, PDF 3/8 OD C 1/4 ID X 32" (Serial # 1435-)	1
5	64.0913	TANK, OIL	1
6	25.2404-08-06	FITTING, M CONN 1/2 X 3/8	1
7	22.0024	HOSE, ASM X 11-1/4" 1/2 P.LOC	1
8	25.6502-08-08	FITTING, 45 MFE 1/2 X 1/2	2
9	22.0025	HOSE, ASM X 53" 3/8 PUSHLOCK	1
10	25.6600-8-8-8.	FITTING, 1/2" SWIVEL TEE	1
11	25.2605-8-8-8.	FITTING, M TEE 1/2 X 1/2 X 1/2	1
12	25.5406-12-08	FITTING, BUSHING 3/4 X 1/2	1
13	51.0020	TRANSAXLE, PEERLESS	1
14	29.P06H	PIPE, PLUG 3/8 HEX ZP	1
15	25.6802-10-10	FITTING, 45 ME 5/8 X 5/8	1
16	22.0044	HOSE, ASM X 20.5 5/8 CPE P.LOC	1
17	20.0223	HOSE,ASM 1/2IDX77 SSBRAID-PTFE (Serial # 1391-1562)	1
17	20.0291	HOSE, ASM 1/2 ID X 75 SS BRAID (Serial # 1563-1572)	1
18	20.0225	5/8OD X .095W STEEL TUBE ZYP	1
19	25.FF6400-08-08	FITTING, CONNECTOR 8MFF X 8MB	1
20	21.0081**	MOTOR, HYD. SUNDSTRAND (REMOVE SEAL)	2
21	90.0612	BOLT, 3/8-16 USS X 1 1/2	2
22	96.06	WASHER, LOCK 3/8	2
23	95.06	WASHER, FLAT 3/8 SAE	2
24	26.0012	O-RING, 3 X 3-1/8 X 1/16 (Serial # 1391-1401)	1
25	87.0165	GEAR, PINION MOTOR TO AXLE	1
26	04.0015	SNAP RING, EXT .039 X .588	1
27	29.GF0016	FITTING, COMP 1/4OD 1/8 MP 90D (Serial # 1391-1434)	2
27	29.GF0018	FITTING, COMP 3/8OD 1/8 MP 90D (Serial # 1435-)	2
27a	29.GF0018-1	SLEEVE, TUBING (Serial # 4152-)	2
28	26.0009	O-RING, .070 X .489 ID 90D	A/R
29	99.SF0405-1	BOLT, SMF 1/4-20 X 5/8	2
30	99.SF04	NUT, SF 1/4-20 USS	2
31	25.6410-08-06	FITTING, M/F O-RING 1/2 X 3/8	1
32	23.0123	VALVE, CHECK - VONBERG	1
33	20.0187	HOSE, ASM X 13-1/2" 1/4"-3000.	1
34	25.FF6400-10-08	FITTING, CONNECTOR 5/8 X 1/2	1
35	25.5503-12-12-FG	FITTING, 45 -12 MNPT X -12FNPT	1
36	26.0023	O-RING, .070 X .614ID 90D	A/R
37	30.0037	TYTON TIE, #50 .18 X 8 BLACK	1
38	20.0276	HOSE, 1/2x48.50 SS BRAID PTFE (Serial # 1573-)	1
39	20.0286	STEEL TUBE, 1/2" OD X .065 W (Serial # 1573-)	1
40	25.FF2701-08-08LN	FITTING, 90 BULKHED 1/2 w/LNUT (Serial # 1573-)	1

\*\*NOTE: When replacing the front motor, the shaft seal must be removed.

# HYDRAULICS, AXLES, & WHEELS

## ILLUSTRATED DRAWING REAR TRANSAXLE & HYDRAULICS



# HYDRAULICS, AXLES, & WHEELS

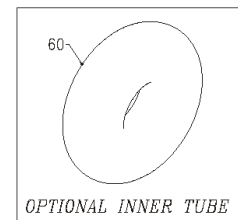
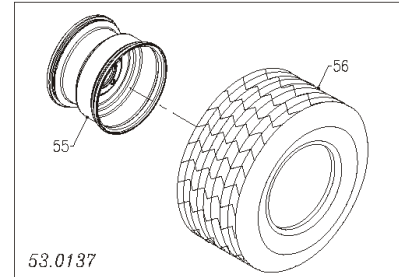
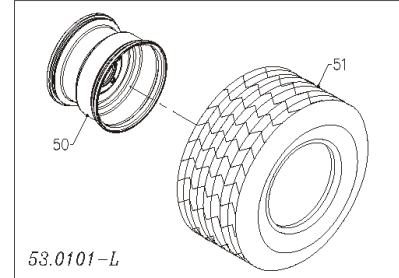
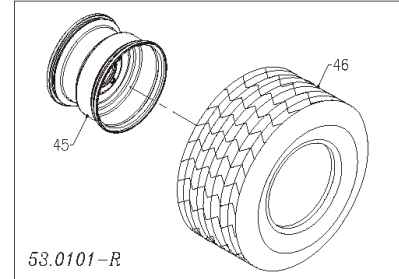
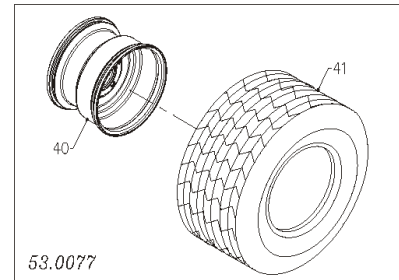
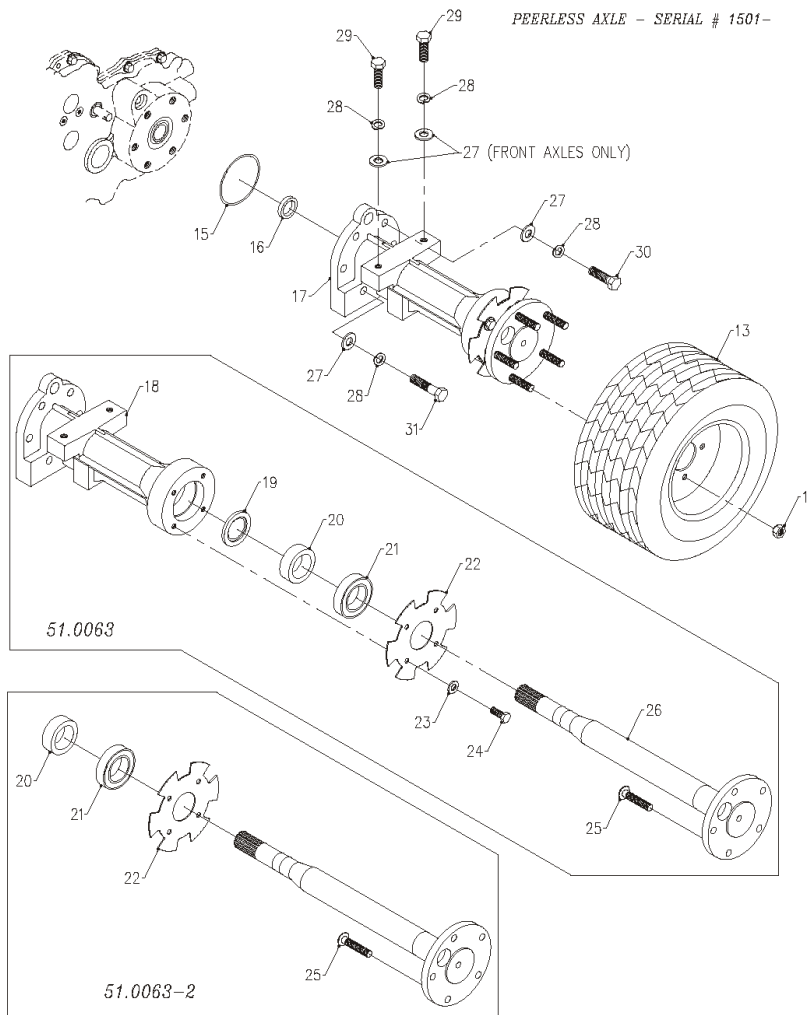
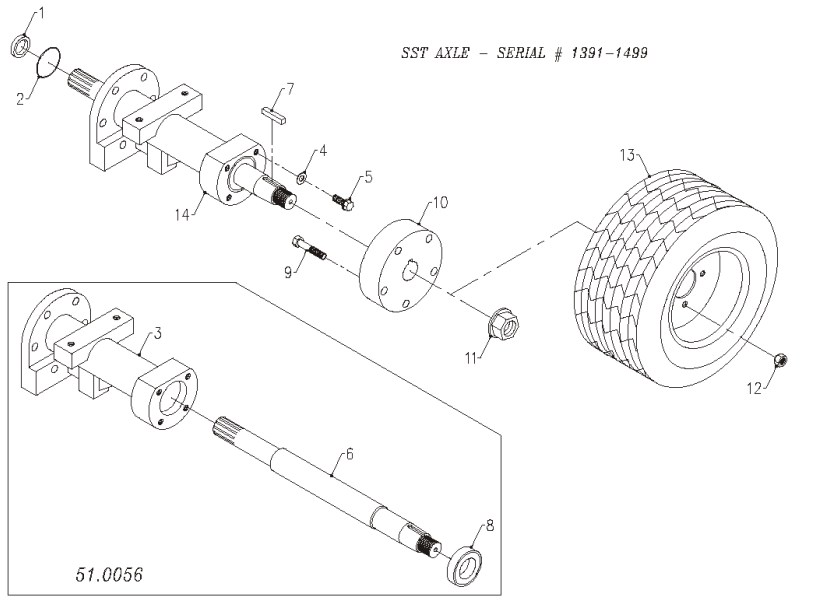
## REAR TRANSAXLE & HYDRAULICS

REF.	PART NO.	DESCRIPTION	QTY.
1	21.0081*	MOTOR, HYD. SUNDSTRAND	1
2	90.0612	BOLT, 3/8-16 USS X 1 1/2	2
3	96.06	WASHER, LOCK 3/8	2
4	95.06	WASHER, FLAT 3/8 SAE	2
5	51.0020	TRANSAXLE, PEERLESS	1
6	25.FF6400-08-08	FITTING, CONNECTOR 8MFF X 8MB (Serial # 1391-1562)	2
7	25.6801-08-08	FITTING, 90 ME 1/2 X 1/2	1
8	22.0025	HOSE, ASM X 53" 3/8 PUSHLOCK	1
9	20.0223	HOSE,ASM 1/2IDX77 SSBRAID-PTFE (Serial # 1391-1562)	1
9	20.0291	HOSE, ASM 1/2 ID X 75 SS BRAID (Serial # 1563-1572)	1
9	20.0276	HOSE, 1/2x48.50 SS BRAID PTFE (Serial # 1573-)	1
10	20.0224	HOSE,ASM 1/2IDX65 SSBRAID-PTFE (Serial # 1391-1562)	1
10	20.0290	HOSE, 1/2x63.00 SS BRAID PTFE (Serial # 1563-1572)	1
10	20.0275	HOSE, 1/2x53.50 SS BRAID PTFE (Serial # 1573-)	1
11	23.0111-1	VALVE, HY 2 SPL W/LH FLT,RH SP	1
12	25.6400-06-08	FITTING, M CONN 3/8 X 1/2	2
13	25.6400-06-06	FITTING, M CONN 3/8 X 3/8	4
14	20.0222	HOSE,ASM 3/8X55 CPE SAE100R1AT	1
15	20.0213	HOSE, ASM C 1/4 X 46"-2750	1
17	44.0224	SLEEVE, HOSE PROTECTOR 6" (Serial # 1391-1545)	1
17	44.0258	SLEEVE, HOSE PROTECTOR 8" (Serial # 1546-)	3
18	20.0220	HOSE,ASM 3/8X32 CPE SAE100R1AT	1
19	20.0219	HOSE,ASM 3/8X40 CPE SAE100R1AT	1
20	25.2501-06-08	FITTING, 90 ME 3/8 X 1/2 (Serial # 1391-1572)	2
20	25.6801-06-08	FITTING, 90 ME 3/8 X 1/2 (Serial # 1573-)	2
21	99.SF0404	BOLT, SF 1/4-20 X 1/2	2
22	21.0082	FILTER, HEAD 1/2" NPT PORT (Serial # 1391-1572)	1
22	21.0115	FILTER, HEAD 08 SAE PORT (Serial # 1573-)	1
23	21.0078	FILTER, HYDRAULIC 10 MICRON	1
24	25.6408-H-10	FITTING, -10 MORB X ALLEN	1
25	29.P12G	PIPE, PLUG 3/4" GALV. SQ ZP	1
26	04.0015	SNAP RING, EXT .039 X .588	1
27	87.0165	GEAR, PINION MOTOR TO AXLE	1
28	26.0012	O-RING, 3 X 3-1/8 X 1/16 (Serial # 1391-1401)	1
29	26.0009	O-RING, .070 X .489 ID 90D	A/R
33	30.0204	TYTON TIE, #50 .190 X 12"	10
34	03.0406	CLEVIS PIN, 1/4 X 3/4	2
35	02.CP0204	COTTER PIN, 1/16 X 1/2	2
38	25.FF6801-L-08-08	FITTING, 90 ELBOW LNG 8MBX8MFF (Serial # 1563-1572)	1
39	25.FF6801-08-08	FITTING, 90 ELBOW 8MB X 8MFF (Serial # 1563-)	1
40	25.FF6500-08-08	FITTING, 90 ELBOW 8MFF X 8FSX (Serial # 1573-)	1
41	20.0116	HOSE, ASM X 56" 1/4-1W #6 (Serial # 1391-1572)	1
41	20.0137	HOSE, 1/4x60.00 SAE 100R17 AR (Serial # 1573-)	1
42	20.0116	HOSE, ASM X 56" 1/4-1W #6 (Serial # 1391-1572)	1
42	20.0139	HOSE, 1/4x58.00 SAE 100R17 AR (Serial # 1573-)	1
43	20.0294	HOSE, 1/4x54.50 SAE 100R17 AR	1
44	25.FF6400-08-08	FITTING, CONNECTOR 8MFF X 8MB (Serial # 1573-)	1
45	26.0027	O-RING, 5/8ID X 13/16OD X 3/32	4
46	23.0111-7	KIT, SPOOL FLOAT HYD. VALVE	1
47	23.0111-8	CAP, VALVE	1

\*The shaft seal in the rear motor MUST NOT be removed.

# HYDRAULICS, AXLES, & WHEELS

## ILLUSTRATED DRAWING AXLE & TIRE



# HYDRAULICS, AXLES, & WHEELS

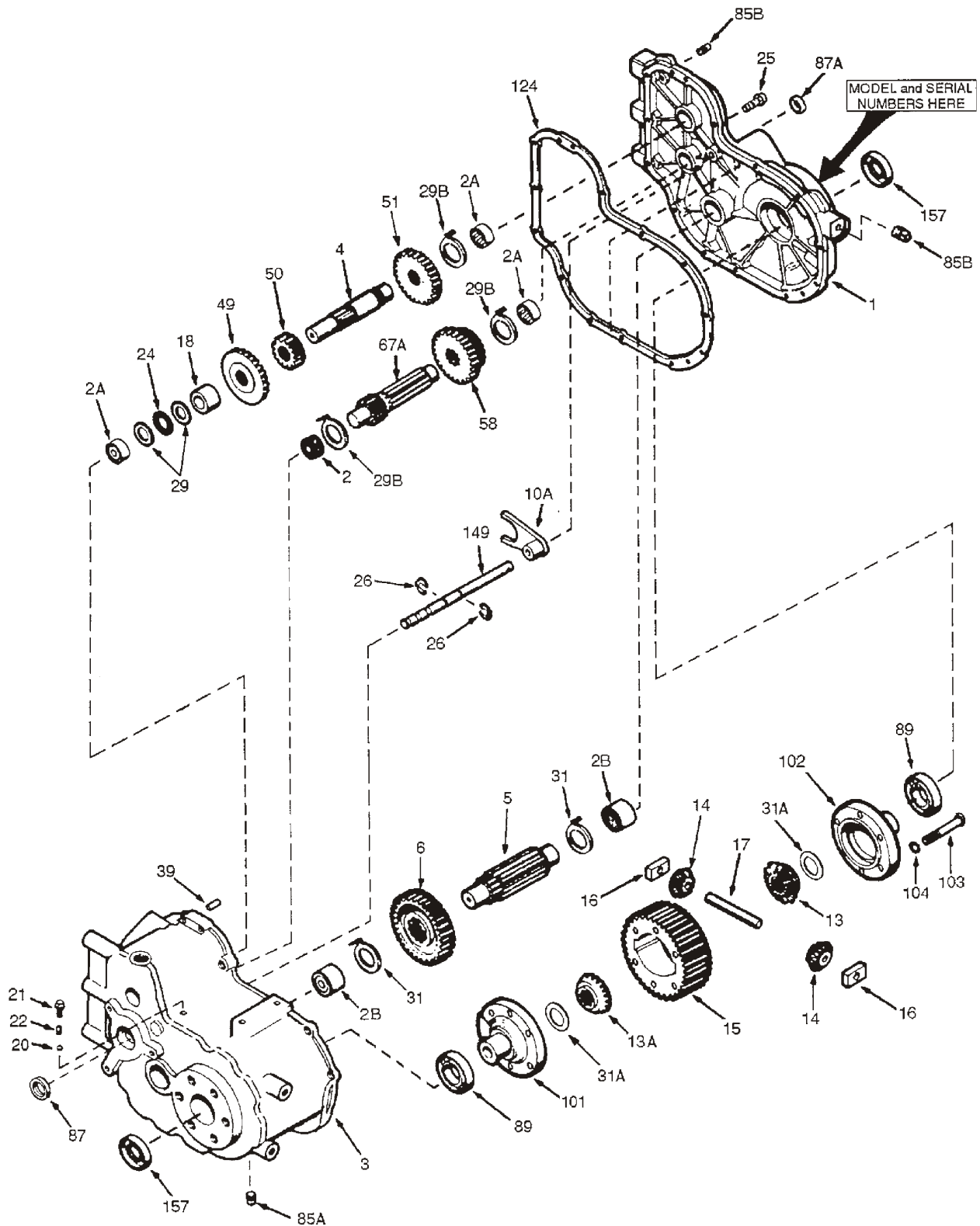
## AXLE & TIRE

REF.	PART NO.	DESCRIPTION	QTY.
1	89.0049	SEAL, OIL - AXLE PEERLESS 2558 (Serial # 1391-1499)	4
2	26.0018	O-RING, 2-1/8 X 2-5/16 X 3/32 (Serial # 1391-1499)	4
3	51.0056-1	HOUSING, AXLE 72 MM FINISHED (Serial # 1391-1499)	4
4	94.06	WASHER, FLAT 3/8 USS (Serial # 1391-1499)	16
5	99.SF0606	BOLT, SF 3/8-16 USS X 3/4 (Serial # 1391-1499)	16
6	51.0056-2	SHAFT, AXLE 35 MM STUB TAPER (Serial # 1391-1499)	4
7	85.K0510	KEY, 5/16 X 1 1/4 (Serial # 1391-1499)	4
8	55.0048	BEARING, 35 MM X 72 MM X 17 MM (Serial # 1391-1499)	4
9	91.0720	BOLT, 7/16-20 SAE X 2 1/2 (Serial # 1391-1499)	20
10	50.0164	HUB, 5-BOLT STUB TAPER (Serial # 1391-1499)	4
11	99.E0067	NUT, LOCK 1"-14 SAE FLANGE (Serial # 1391-1499)	4
12	99.E0044	NUT, LUG 7/16-20 SAE	20
13	53.0077*	WHEEL, ASM 22 X 12 X 8 X 5B	4
13	53.0101-L	WHEEL, ASM 21 X 11 X 8 X 5B BAR	2
13	53.0101-R	WHEEL, ASM 21 X 11 X 8 X 5B BAR	2
13	53.0137	WHEEL, ASM 22x11x10x5B TURF	4
14	51.0056	AXLE, ASM. STUB TAPER (Serial # 1391-1499)	4
15	26.0024	O-RING, 3-1/8 X 3-3/8 X 1/8 (Serial # 1501-)	4
16	51.0022	SPACER, AXLE FOR HOUSING ASSY (Serial # 1501-)	4
17	51.0063	AXLE, ASM 40MM FORGED SHAFT (Serial # 1501-)	4
18	51.0063-1	HOUSING, AXLE PEERLESS KT (Serial # 1501-)	4
19	89.0074	SEAL, OIL PEERLES AXLE 51.0063 (Serial # 1501-)	4
20	51.0063-3	SPACER, AXLE PEERLESS KT (Serial # 1501-)	4
21	55.0063	BEARING, AXLE PEERLEES 51.0063 (Serial # 1501-)	4
22	51.0063-4	PLATE, COVER PEERLESS AXLE (Serial # 1501-)	4
23	95.06	WASHER, FLAT 3/8 SAE (Serial # 1501-)	16
24	90.0608	BOLT, 3/8-16 USS X 1 (Serial # 1501-)	16
25	99.K0100	BOLT, 7/16-20 X 2-1/8 (Serial # 1501-)	20
26	51.0063-2	SHAFT, AXLE ASM PEERLESS (Serial # 1501-)	4
27	95.08	WASHER, FLAT 1/2 SAE	28
28	96.08	WASHER, LOCK 1/2	32
29	90.0812	BOLT, 1/2-13 USS X 1 1/2	8
30	90.0814	BOLT, 1/2-13 USS X 1 3/4	16
31	90.0818	BOLT, 1/2-13 USS X 2 1/4	8
40	53.0090	RIM, 8 X 8.5, 5 ON 4.5 BC	1
41	53.0089	TIRE, FIELD 22 X 12 X 8-NO RIM	1
45	53.0090	RIM, 8 X 8.5, 5 ON 4.5 BC	1
46	53.0114	TIRE, BAR 21X11X8 NO RIM	1
50	53.0090	RIM, 8 X 8.5, 5 ON 4.5 BC	1
51	53.0114	TIRE, BAR 21X11X8 NO RIM	1
55	53.0138	RIM, 10 X 7 - 5 ON 4.5 BC	1
56	53.0112	TIRE, TURFMASTR 22X11X10 NO RIM	1
60	53.0142	TUBE, INNER 22 X 12 X 8	4

\*53.0077 is the standard wheel assembly.

# HYDRAULICS, AXLES, & WHEELS

## ILLUSTRATED DRAWING MODEL 2600 TRANSAXLE





# HYDRAULICS, AXLES, & WHEELS

## MODEL 2600 TRANSAXLE

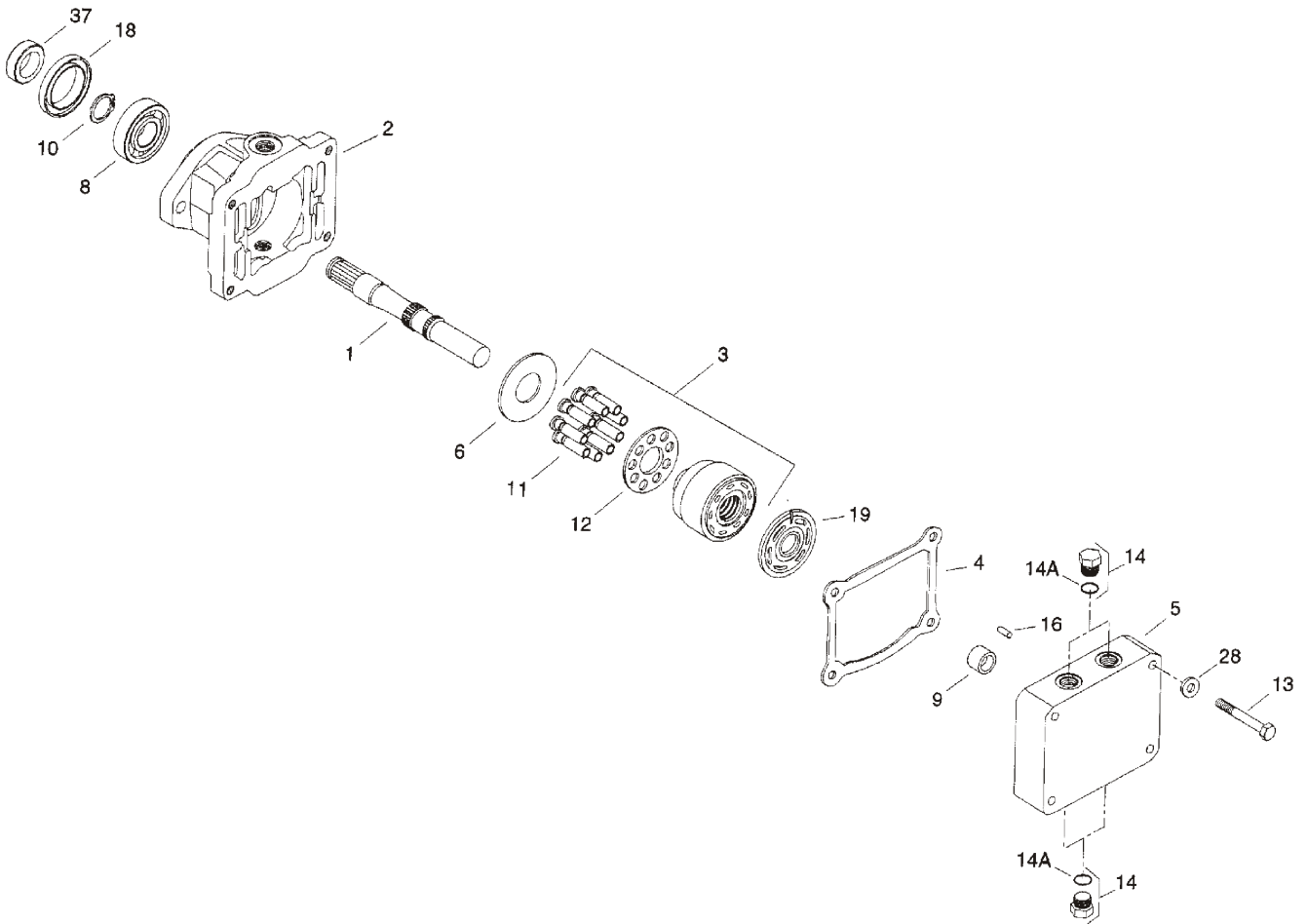
REF.	PART NO.	DESCRIPTION	QTY.
	51.0020	TRANSAXLE, PEERLESS.	1
1	51.0026	COVER, 2600 TRANSAXLE (Includes 2A & 2B)*	1
2	55.0037	BEARING, 2600 NEEDLE 1.000 ID	1
2A	55.0038	BEARING, 2600 NEEDLE 1.000 ID	3
2B	55.0041	BEARING, 2600 NEEDLE 1.250 ID	2
3	51.0025	CASE, 2600 TRANSAXLE	1
10A	51.0030	FORK, 2600 SHIFT.	1
13	51.0031	GEAR, 2600 BEVEL	1
13A	51.0031	GEAR, 2600 BEVEL	1
14	51.0033	PINION, 2600 BEVEL	2
24	51.0085	BEARING, THRUST 1.002 ID X .0781W	1
29	51.0084	WASHER, THRUST 1.002 ID X .061W	2
29B	51.0032	WASHER, 2600 THRUST	3
31	51.0082	WASHER, THRUST 1.252 ID x .058W	2
31A	51.0028	WASHER, 2600 THRUST	2
39	51.0029	PIN, DOWEL 2600 5/16 X 3/4	2
87	89.0046	SEAL, BRAKE SHAFT OIL	1
87A	89.0047	SEAL, SHIFTER ROD OIL	1
89	55.0039	BEARING, 2600 NEEDLE 1.5743 ID	1
124	89.0051	GASKET, CASE	1
149	51.0027	ROD, 2600 SHIFT (HIGH/LOW)	1
157	89.0049	SEAL, OIL - AXLE PEERLESS.	2

Listed items are stocked. Check for availability of unlisted parts.

\*Ref. # 2 - brake shaft bearing must be ordered separately.

# HYDRAULICS, AXLES, & WHEELS

## ILLUSTRATED DRAWING MODEL 15 MOTOR



# HYDRAULICS, AXLES, & WHEELS

---

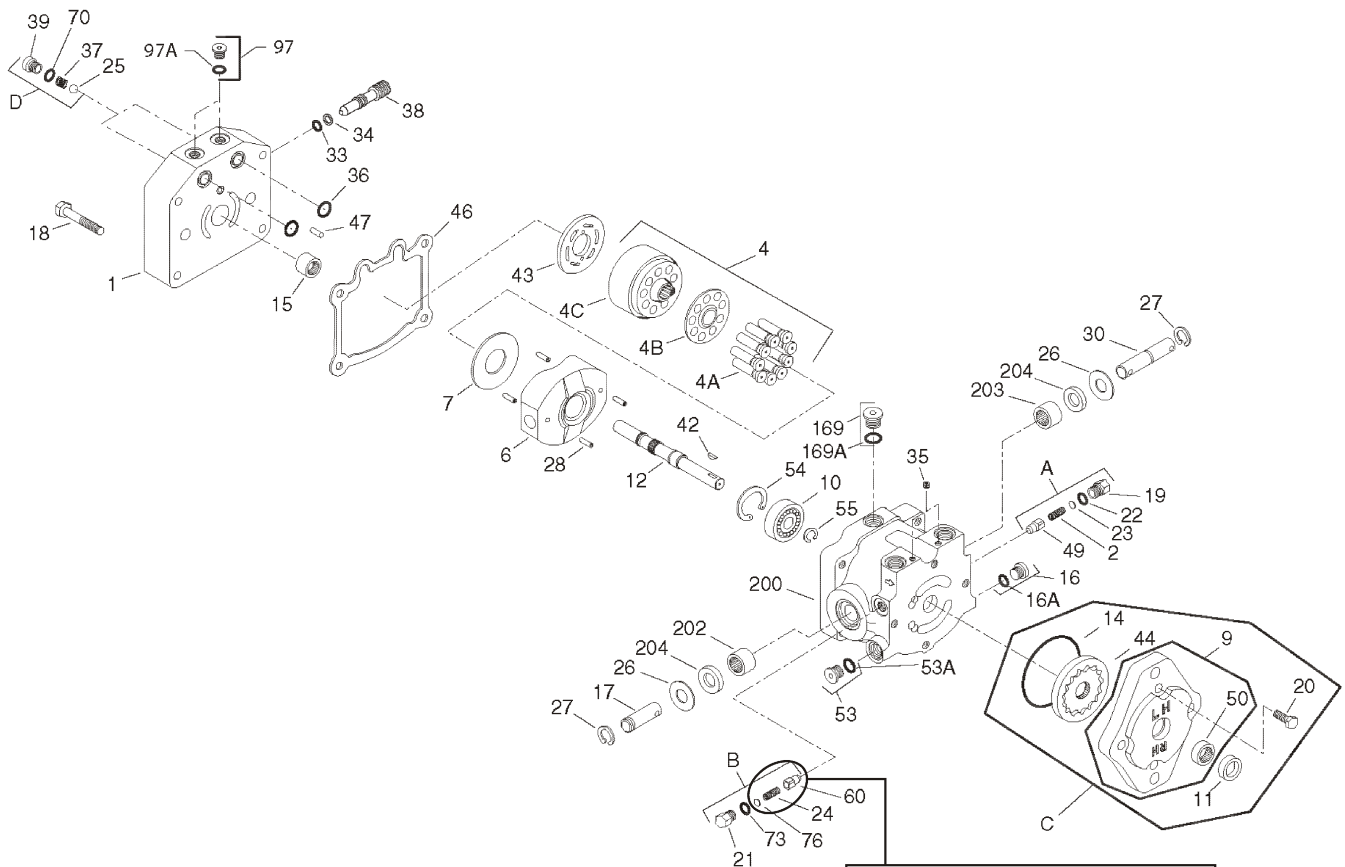
## MODEL 15 MOTOR

REF.	PART NO.	DESCRIPTION	QTY.
3 . . . . .	21.0099 . . . . .	KIT, CYL BLOCK SUNDSTRAND . . . . .	1
4 . . . . .	89.0055 . . . . .	GASKET, MOTOR 2 BOLT FLANGE . . . . .	1
6 . . . . .	21.0019 . . . . .	PLATE, THRUST SUNDSTRAND . . . . .	1
9 . . . . .	55.0036 . . . . .	BEARING, DU SUNDSTRAND . . . . .	1
11 . . . . .	21.0099-1 . . . . .	PISTON, CYLINDER BLOCK . . . . .	9
12 . . . . .	21.0099-2 . . . . .	RETAINER, PISTON CYLINDER BLCK . . . . .	1
<hr/>			
14 . . . . .	25.6408-08 . . . . .	FITTING, PLUG 8MB . . . . .	4
14a . . . . .	26.0037 . . . . .	O-RING, -908 FOR MORB-08 VITON . . . . .	4
18 . . . . .	89.0062 . . . . .	SEAL, SHAFT-SERIES 15 MOTOR . . . . .	1
19 . . . . .	21.0088 . . . . .	PLATE, VALVE (MOTOR) . . . . .	1

Listed items are stocked. Check for availability of unlisted parts.

# HYDRAULICS, AXLES, & WHEELS

## ILLUSTRATED DRAWING MODEL 15 PUMP



**NOTE: Items 76, 24, & 60 are removed in this application.**

Note: Item 200 includes items 202, 203 and 204

# HYDRAULICS, AXLES, & WHEELS

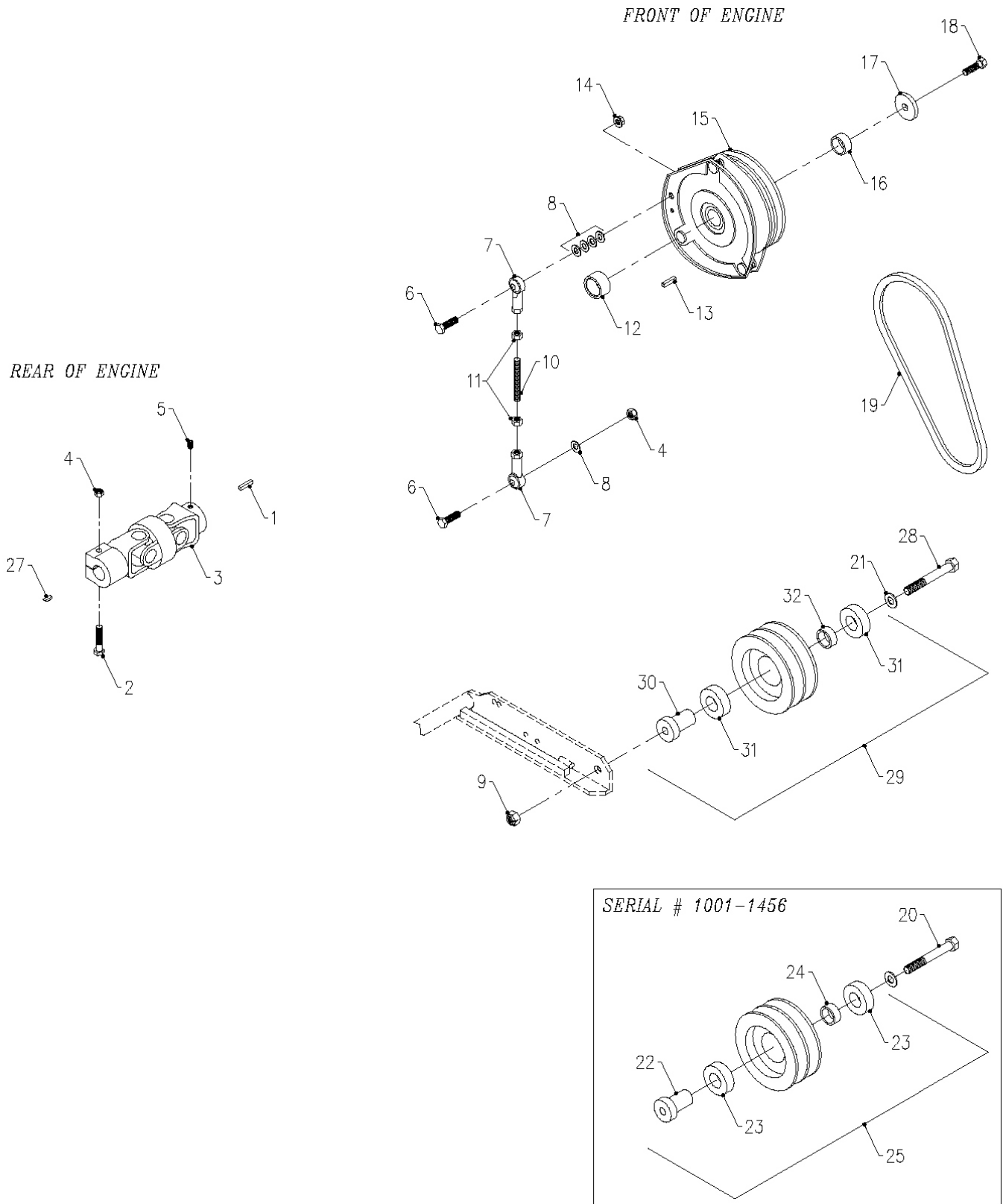
## MODEL 15 PUMP

REF.	PART NO.	DESCRIPTION	QTY.
1.	not stocked	CAP. END	3
2.	21.0087	SPRING, IMPLEMENT RELIEF	1
4.	21.0099	KIT, CYL BLOCK SUNDSTRAND	1
4a	21.0099-1	PISTON, CYLINDER BLOCK	9
4b	21.0099-2	RETAINER, PISTON CYLINDER BLCK	1
4c	not stocked	BLOCK, CYLINDER	1
6.	21.0101	SWASHPLATE, SUNDSTRAND	1
7.	21.0019	PLATE, THRUST SUNDSTRAND	1
9.	21.0032	HOUSING, CHARGE PUMP (PUMP Serial # A063910905 OR EARLIER)	1
9.	21.0033	HOUSING, CHARGE PUMP (PUMP Serial # A063910906-)	1
10.	55.0034	BEARING, BALL SUNDSTRAND	1
11.	89.0052-1	SEAL, 3/4 SFT X 1 1/4 VITON	1
12.	21.0028	SHAFT, PUMP 15 PV	1
14.	26.0008	O-RING, .103 X 3.487 SERIES 15	1
15.	55.0025	BEARING, ROLLER .6875 X .937	1
16.	not stocked	PLUG	1
16A	26.0032	O-RING, FOR #16 PLUG	1
17.	21.0076	SHAFT, TRUNNION SUNDSTRAND	1
18.	not stocked	SCREW	4
19.	21.0089	PLUG, RELIEF VALVE SUNDSTRAND	1
20.	not stocked	SCREW	4
21.	not stocked	PLUG	1
22.	26.0013	O-RING, .072 X .414 SUNDSTRAND	1
23.	21.0093	SHIM, .020 X 5/16 OD, HI-PRESS	1
23.	21.0094	SHIM, .010 X 5/16 OD, HI-PRESS	1
23.	21.0106	SHIM, .005 X 5/16 OD, HI-PRESS	1
24.	41.0091	SPRING, COMP 1/4"OD X 1" LG	1
25.	not stocked	BALL	2
26.	21.0049	WASHER, .699 X 1.375 X .059	2
27.	04.0014	SNAP RING, EXT. 11/16 SFT	2
28.	02.CP0605C	ROLL PIN, 3/16 X 5/8 COILED	4
30.	21.0075	SHAFT, TRUNNION-CTRL-SERIES 15	1
33.	26.0025	O-RING, -.012 FOR MORF-06 VITON	1
34.	04.0039	RING, BACKUP	1
35.	not stocked	PLUG, PIPE	2
36.	26.0009	O-RING, .070 X .489 ID 90D	2
37.	not stocked	SPRING	2
38.	23.0165	VALVE, BYPASS	1
39.	not stocked	PLUG	2
42.	85.W0305	KEY, WOODRUFF 3/16" X 5/8"	1
43.	21.0026	PLATE, VALVE (LH) PUMP	1
44.	21.0027	GEROTOR, ASM PUMP	1
46.	89.0054	GASKET, PUMP SUNDSTR.SERIES 15	1
47.	not stocked	PIN	1
49.	not stocked	CONE, CHARGE RELIEF	1
50.	55.0024	BEARING, NEEDLE 3/4X1 SERIES15	1
53.	not stocked	PLUG	1
53A	26.0032	O-RING, FOR #16 PLUG	1
54.	not stocked	RING, RETAINING	1
55.	not stocked	RING, RETAINING	1
60.	not stocked	CONE, CHARGE RELIEF	1
70.	26.0013	O-RING, .072 X .414 SUNDSTRAND	2
73.	26.0013	O-RING, .072 X .414 SUNDSTRAND	1
76.	21.0093	SHIM, .020 X 5/16 OD, HI-PRESS	1
76.	21.0094	SHIM, .010 X 5/16 OD, HI-PRESS	1
76.	21.0106	SHIM, .005 X 5/16 OD, HI-PRESS	1
97.	not stocked	PLUG	2
97A	26.0035	O-RING, .904 FOR MORB-04 VITON	2
169	not stocked	PLUG	1
169A	26.0033	O-RING, FOR #169 PLUG	1
200	not stocked	ASSEMBLY, HOUSING	1
202	85.B0067	BUSHING, BEARING JOURNAL	1
203	85.B0067	BUSHING, BEARING JOURNAL	1
204	89.0053-1	SEAL, .687 SFT X 1.19 VITON	2
A.	not stocked	KIT, IMPLEMENT RELIEF	1
B.	not stocked	KIT, CHARGE RELIEF	1
C	not stocked	KIT, CHARGE PUMP	1
D	not stocked	KIT, CHECK VALVE	1

Check for availability of non stocked parts.

# ENGINE/ENGINE DRIVES

## ILLUSTRATED DRAWING KAWASAKI ENGINE & DRIVE



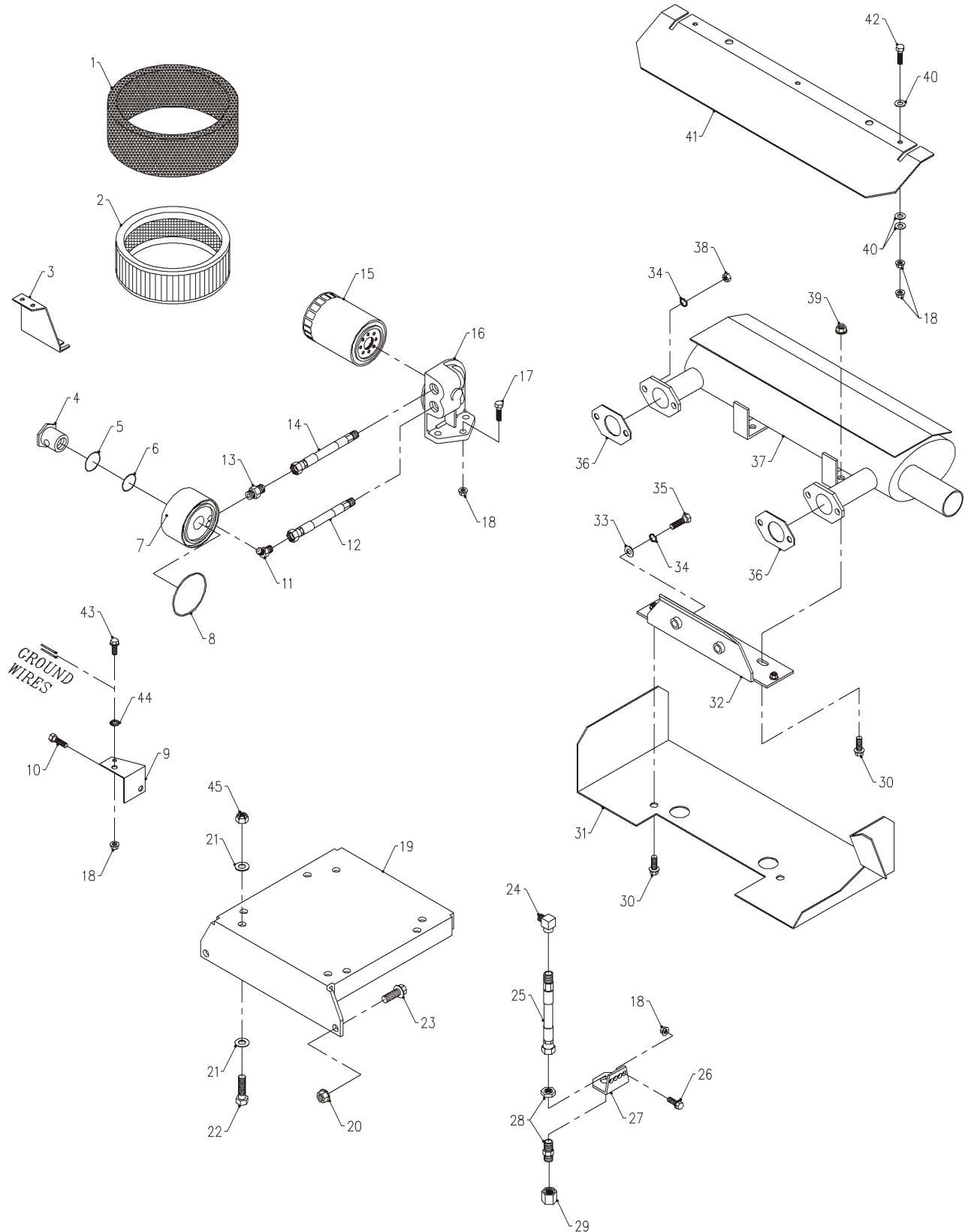
# ENGINE/ENGINE DRIVES

## KAWASAKI ENGINE & DRIVE

REF.	PART NO.	DESCRIPTION	QTY.
1	85.K0408	KEY, 1/4 X 1	2
2	90.0614	BOLT, 3/8-16 USS X 1 3/4	1
3	87.0212	U-JOINT, 6.5"X 1.00"B X .75" B	1
4	99.A06	LOCKNUT, STOVER 3/8-16 USS	2
5	85.SS21	SET SCREW, 3/8-16 X 3/8	2
6	90.0610	BOLT, 3/8-16 USS X 1 1/4	2
7	43.006	ROD END, 3/8 SPHERICAL	2
8	95.06	WASHER, FLAT 3/8 SAE	5
9	99.A08	LOCKNUT, STOVER 1/2-13 USS	1
10	99.J0624NFZ	THREADED ROD, 3/8 SAE X 3"	1
11	93.06	NUT, 3/8-24 SAE	2
12	64.1171	SPACER, CLUTCH INNER	1
13	85.K0412	KEY, 1/4 X 1-1/2	1
14	99.SF06	NUT, SF 3/8-16 USS	1
15	37.0018	CLUTCH, ELECTRIC OGURA	1
16	64.1079	BUSHING, 1-1/8 X 1-3/4 X 9/16	1
17	99.B0077	WASHER, 1/4X1-3/4 X 15/32 HOLE	1
18	91.0710	BOLT, 7/16-20 SAE X 1 1/4	1
19	81.B038	BELT, B38	1
20	90.0824	BOLT, 1/2-13 USS X 3 (Serial # 1391-1456)	1
21	94.08	WASHER, FLAT 1/2 USS	1
22	86.0040	BUSHING, PTO PULLEY (Serial # 1391-1456)	1
23	55.0030	BEARING, PULLEY 1" X 2" (Serial # 1391-1456)	2
24	85.B0069	BUSHING, 1.03 ID X 1.25 OD X.5 (Serial # 1391-1456)	1
25	83.0032	PULLEY, DOUBLE IDLER ASM (Serial # 1391-1456)	1
26	13.0179	ENGINE, KAW 25HP, AIR COOL (NOT PICTURED)	1
27	85.W0305	KEY, WOODRUFF 3/16" X 5/8"	1
28	90.0826	BOLT, 1/2-13 USS X 3 1/4 (Serial # 1457-)	1
29	83.0054	PULLEY, IDLER ASM DBL 5.375 OD (Serial # 1457-)	1
30	85.B0084	BUSHING, DRIVE IDLER (Serial # 1457-)	1
31	55.0064	BEARING, DRIVE IDLER 83.0054 (Serial # 1457-)	2
32	85.B0085	BUSHING, BEARING SPACER (Serial # 1457-)	1

# ENGINE/ENGINE DRIVES

## ILLUSTRATED DRAWING KAWASAKI ENGINE MOUNT, FILTERS, & EXHAUST





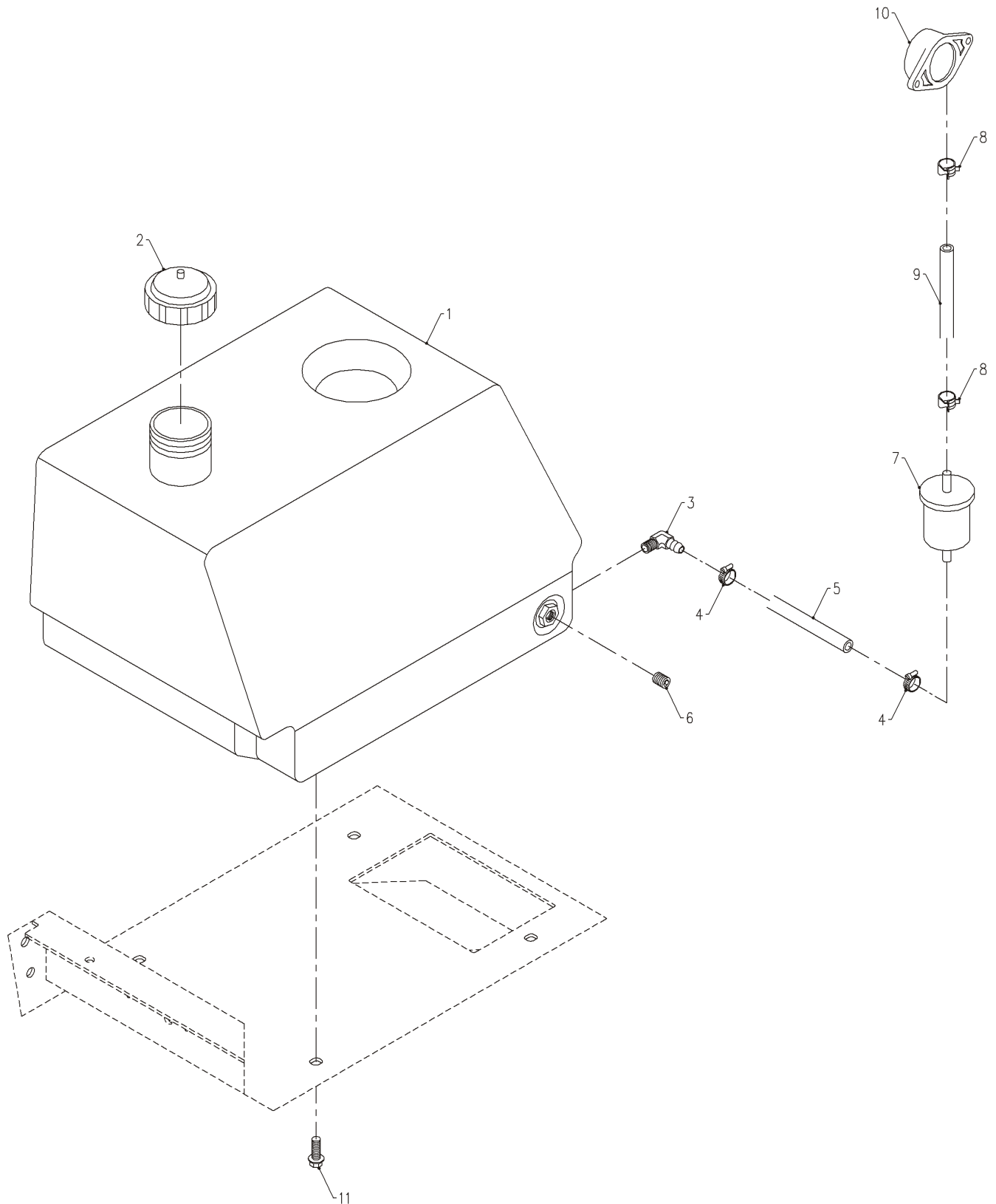
# ENGINE/ENGINE DRIVES

## KAWASAKI ENGINE MOUNT, FILTERS, & EXHAUST

REF.	PART NO.	DESCRIPTION	QTY.
1	13.0190	FILTER, AIR ELEMENT OUTER	1
2	13.0191	FILTER, AIR ELEMENT INNER	1
3	64.0980	SUPPORT, THROTTLE/CHOKE CABLES	1
4	24.0013	CAP, SECURE-OIL FILTER ADAPTER	1
5	26.0017	O-RING, 1.00 X 1.188 X .0938	1
6	26.0015	O-RING, .750 X 1" X .138	1
7	24.0012	ADAPTER, OIL FILTER BASE 2-3/4	1
8	26.0016	O-RING, 2.25 X 2.625 X .209	1
9	64.0982	BRACKET, GRD&WIREHARNESS MOUNT	1
10	99.M0005	BOLT, M8 X 1.25 X 20	1
11	25.2503-06-04	FITTING, 45 ME 3/8 X 1/4	1
12	22.0029	HOSE, ASM X 5-3/4" 3/8 HI TEMP	1
13	25.2404-06-04	FITTING, M CONN 3/8 X 1/4	1
14	22.0028	HOSE, ASM X 5-1/4" 3/8 HI TEMP	1
15	13.0063	FILTER, ENGINE OIL KAWASAKI	1
16	13.0183	FILTER MOUNT, SINGLE REMOTE	1
17	90.0408	BOLT, 1/4-20 USS X 1	3
18	99.SF04	NUT, SF 1/4-20 USS	10
19	62.0905	MOUNT, ENGINE-KAWASAKI KT	1
20	99.SF06	NUT, SF 3/8-16 USS	5
21	95.06	WASHER, FLAT 3/8 SAE	8
22	90.0614	BOLT, 3/8-16 USS X 1 3/4	4
23	99.SF0608	BOLT, SF 3/8-16 USS X 1	5
24	25.5502-06-04	FITTING, 90 MFE 3/8 X 1/4	1
25	22.0027	HOSE, ASM X 8" 3/8 PLOCK	1
26	99.SF0406	BOLT, SF 1/4-20 X 3/4	2
27	64.0918	BRACKET, OIL DRAIN KT	1
28	25.2700-06-06LN	FITTING, BULKHEAD 3/8 W/LOCNUT	1
29	25.304-C-06	FITTING, CAP 3/8 #6 JIC	1
30	99.SF0506	BOLT, SF 5/16-18 USS X 3/4	4
31	60.0826	SHIELD, BOTTOM/END MUFFLER	1
32	64.0979	BRACKET, MUFFLER SUPPORT KT	1
33	95.05	WASHER, FLAT 5/16 SAE	2
34	96.05	WASHER, LOCK 5/16	6
35	99.M0009	BOLT, M8 X 1.25 P X 25 MM LONG	2
36	13.0185	GASKET, EXHAUST 25HP KAW	2
37	13.0184	MUFFLER, AIR COOLED KAWASAKI	1
38	99.M0008	NUT, M8 X 1.25 MMP ZP	4
39	99.SF05	NUT, SF 5/16-18 USS	2
40	95.04	WASHER, FLAT 1/4 SAE	6
41	60.0827	SHIELD, HEADLIGHT 4100	1
42	90.0406	BOLT, 1/4-20 USS X 3/4	2
43	99.SF0404	BOLT, SF 1/4-20 X 1/2	1
44	99.G0006	WASHER, STAR-EXTERNAL 1/4	1
45	99.A06N	LOCKNUT, NYLON 3/8-16	4

# ENGINE/ENGINE DRIVES

## ILLUSTRATED DRAWING KAWASAKI FUEL SYSTEM



# ENGINE/ENGINE DRIVES

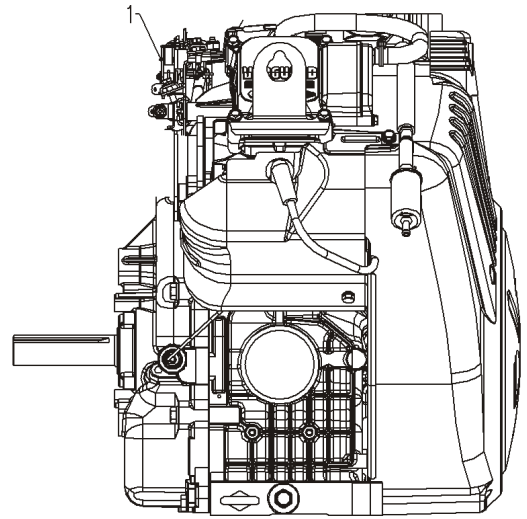
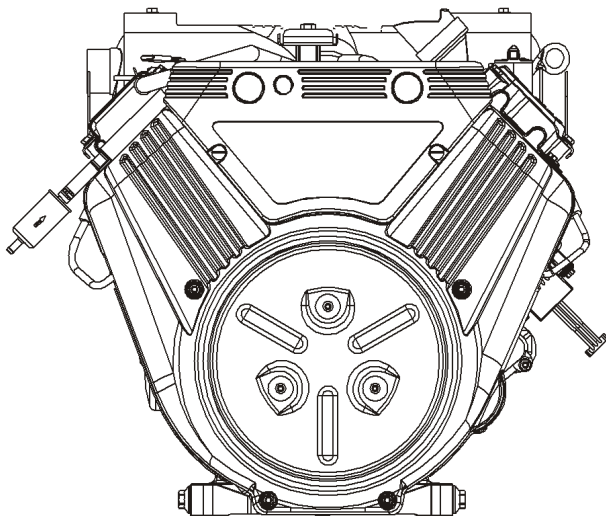
## KAWASAKI FUEL SYSTEM

REF.	PART NO.	DESCRIPTION	QTY.
1	47.0249	TANK, FUEL 7.25 GAL KT41-4200.	1
2	47.0144	CAP, GAS 3-1/2" FOR 47.0124	1
3	29.BF04MP0290-1	FITTING B. 1/4 BRB 1/8 NPT 90.	2
4	11.0038	CLAMP, HOSE S/S 7/32 - 5/8	2
5	27.F05-71IN	HOSE, FUEL LINE X 5/16 X 71"	1
6	29.P02-1	PIPE, PLUG 1/8 HEX SOCKET ZP	1
7	13.0131	FILTER, FUEL-IN LINE 1/4"	1
8	11.0049	CLAMP, HOSE-BAND 1/2 OD HOSE	2
9	27.F04-3IN	HOSE, FUEL LINE X 1/4 X 3"	1
10.	13.0195	PUMP, FUEL KAW - G, H, &J	1
11.	99.SF0504	BOLT, SF 5/16-18 USS X 1/2.	4

# ENGINE/ENGINE DRIVES

---

## ILLUSTRATED DRAWING BRIGGS & STRATTON ENGINE



*INDIVIDUAL ENGINE COMPONENTS ARE NOT SHOWN*

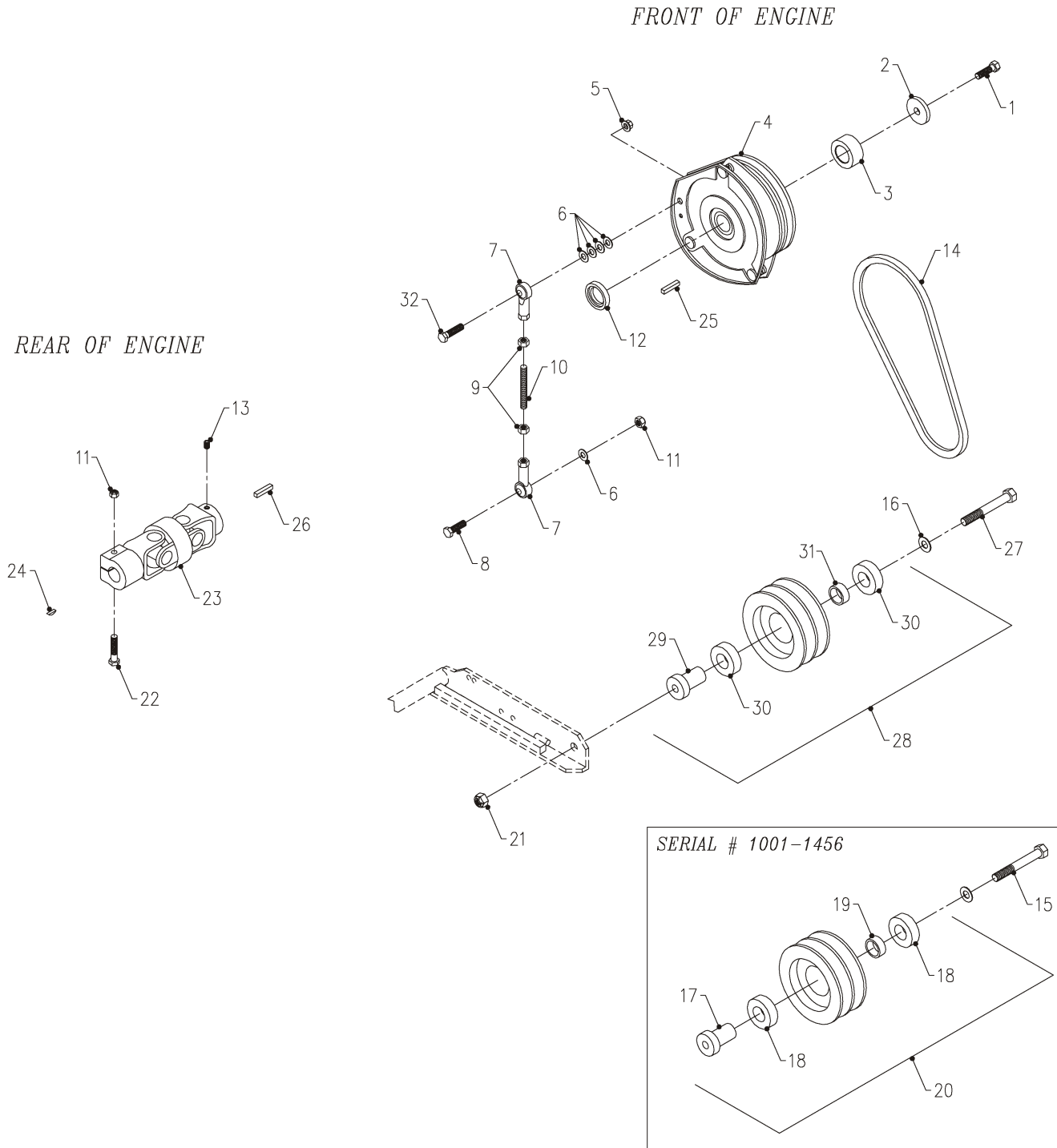
# ENGINE/ENGINE DRIVES

## BRIGGS & STRATTON ENGINE

REF.	PART NO.	DESCRIPTION	QTY.
1	13.0203	ENGINE, B&S 31 HP AIR COOLED	1
2	13.841596	SEAL, MAG OIL	1
3	13.841122	GASKET SET	1
4	13.809730	GASKET, HEAD	2
5	13.841123	GASKET, VALVE SET	1
6	13.809732	GASKET, VALVE COVER	2
7	13.809727	GASKET, CRANKCASE	1
8	13.491055S	PLUG, SPARK	2
9	13.841281	SWITCH, OIL PRESSURE	1
10	13.841178	ALTERNATOR, 20/50 AMP.	1
11	13.807383	STARTER	1
12	13.825418	STARTER, SOLENOID	1
13	13.841170	REGULATOR	1
14	13.691060	ARMATURE (before date code 04090100)	1
14	13.841279	ARMATURE (after date code 04090100)	1
15	13.841546	FUEL SOLENOID	1
16	13.842248	ROTATING SCREEN	1
17	13.841012	SPRING, GOVERNOR	1
18	13.809875	SPRING, GOVERNOR IDLE	1
19	13.841109	CARBURETOR	1
20	13.841548	CARBURETOR KIT	1

# ENGINE/ENGINE DRIVES

## ILLUSTRATED DRAWING BRIGGS & STRATTON DRIVE SHAFT & PTO DRIVE



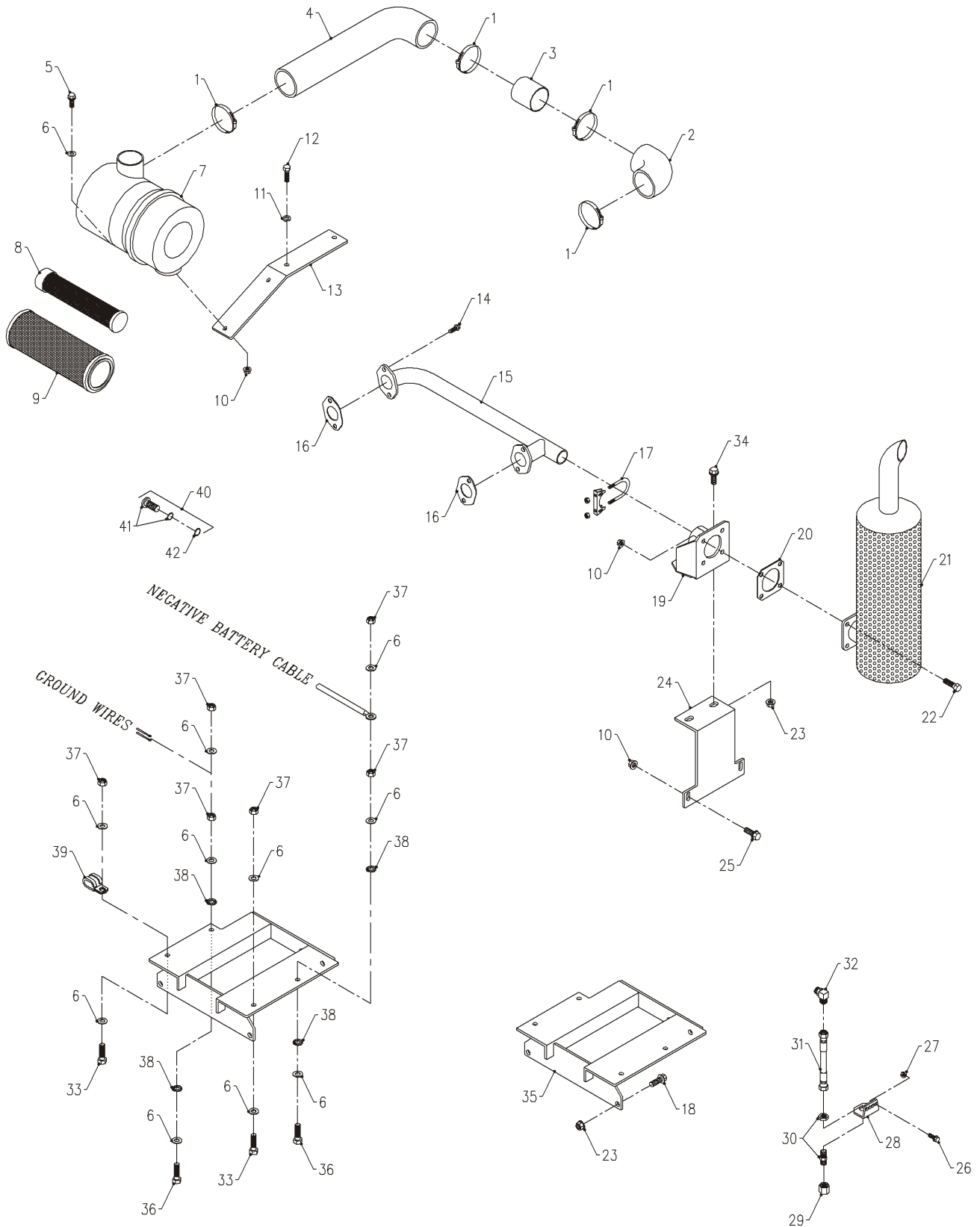
# ENGINE/ENGINE DRIVES

## BRIGGS & STRATTON DRIVE SHAFT & PTO DRIVE

REF.	PART NO.	DESCRIPTION	QTY.
1	91.0710	BOLT, 7/16-20 SAE X 1 1/4	1
2	99.B0077	WASHER, 1/4X1-3/4 X 15/32 HOLE	1
3	64.1170	SPACER, FRONT CLUTCH	1
4	37.0018	CLUTCH, ELECTRIC OGURA	1
5	99.E0082	NUT, LOCKING FLANGE 3/8-16	1
6	95.06	WASHER, FLAT 3/8 SAE	5
7	43.006	ROD END, 3/8 SPHERICAL	2
8	90.0610	BOLT, 3/8-16 USS X 1 1/4	1
9	93.06	NUT, 3/8-24 SAE	2
10	99.J0624NFZ	THREADED ROD, 3/8 SAE X 3"	1
11	99.A06	LOCKNUT, STOVER 3/8-16 USS	2
12	64.1167	SPACER, CLUTCH INNER	1
13	85.SS21	SET SCREW, 3/8-16 X 3/8	2
14	81.B038	BELT, B38	1
15	90.0824	BOLT, 1/2-13 USS X 3 (Serial # 1391-1456)	1
16	94.08	WASHER, FLAT 1/2 USS	1
17	86.0040	BUSHING, PTO PULLEY (Serial # 1391-1456)	1
18	55.0030	BEARING, PULLEY 1" X 2" (Serial # 1391-1456)	2
19	85.B0069	BUSHING, 1.03 ID X 1.25 OD X .5 (Serial # 1391-1456)	1
20	83.0032	PULLEY, DOUBLE IDLER ASM (Serial # 1391-1456)	1
21	99.A08	LOCKNUT, STOVER 1/2-13 USS	1
22	90.0614	BOLT, 3/8-16 USS X 1 3/4	1
23	87.0211	U-JOINT, 6.5" X 1.125" BX .75" B.	1
24	85.W0305	KEY, WOODRUFF 3/16" X 5/8"	1
25	85.K0412	KEY, 1/4 X 1-1/2	1
26	85.K0410	KEY, 1/4 X 1 1/4	2
27	90.0826	BOLT, 1/2-13 USS X 3 1/4 (Serial # 1457-)	1
28	83.0054	PULLEY, IDLER ASM DBL 5.375 OD (Serial # 1457-)	1
29	85.B0084	BUSHING, DRIVE IDLER (Serial # 1457-)	1
30	55.0064	BEARING, DRIVE IDLER 83.0054 (Serial # 1457-)	2
31	85.B0085	BUSHING, BEARING SPACER (Serial # 1457-)	1
32	90.0612	BOLT, 3/8-16 USS X 1 1/2	1

# ENGINE/ENGINE DRIVES

## ILLUSTRATED DRAWING BRIGGS & STRATTON ENGINE MOUNT, EXHAUST, & AIR INTAKE





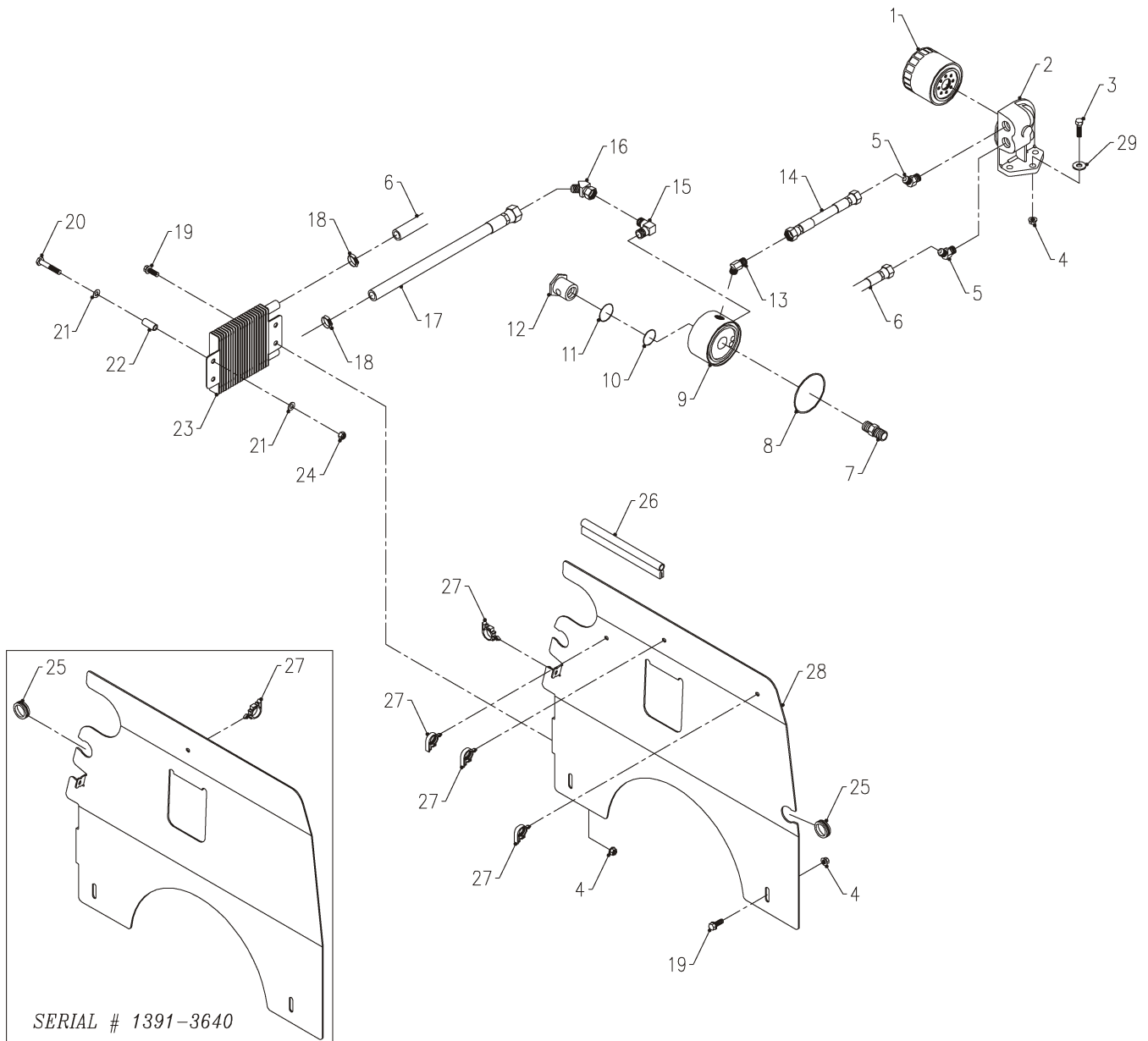
# ENGINE/ENGINE DRIVES

## BRIGGS & STRATTON ENGINE MOUNT, EXHAUST, & AIR INTAKE

REF.	PART NO.	DESCRIPTION	QTY.
1	11.0044	CLAMP, HOSE S/S 1-9/16- 2-1/2	4
2	13.809905-1	HOSE, 2" ID AIR CLEANER	1
3	14.0025	TUBE, 1 7/8 ID X 2 OD X 2 LONG	1
4	14.0026-1	HOSE, AIR CLEANER	1
5	99.SF0508	BOLT, SF 5/16-18 USS X 1	2
6	95.05	WASHER, FLAT 5/16 SAE	12
7	13.809670	CLEANER, AIR	1
	13.0231	CLAMP, AIR FILTER 5" PLASTIC	1
8	13.0061	FILTER, AIR-ELEMENT INNER	1
9	13.0060	FILTER, AIR-ELEMENT OUTER	1
10	99.SF05	NUT, SF 5/16-18 USS	8
11	96.05	WASHER, LOCK 5/16	2
12	99.M0005	BOLT, M8 X 1.25 X 20	2
13	64.1166	BRACKET, AIR CLEANER	1
14	99.M0009	BOLT, M8 X 1.25 P X 25 MM LONG	4
15	13.0210	MANIFOLD, EXHAUST B&S 31	1
16	13.809872	GASKET, EXHAUST	2
17	11.0039	CLAMP, EXH. 5/16 X 1 1/2 ASM.	1
18	99.SF0608	BOLT, SF 3/8-16 USS X 1	5
19	64.1176	ADAPTOR, MUFFLER MOUNT	1
20	13.0173	GASKET, EXHAUST/MUFFLER VANG	1
21	13.0171	MUFFLER, W/HEAT SHIELD&PIPE	1
22	90.0508	BOLT, 5/16-18 USS X 1	4
23	99.SF06	NUT, SF 3/8-16 USS	7
24	64.1169	MOUNT, MUFFLER	1
25	99.SF0506	BOLT, SRF 5/16-18 USS X 3/4	2
26	99.SF0406	BOLT, SF 1/4-20 X 3/4	2
27	99.SF04	NUT, SF 1/4-20 USS	2
28	64.0918	BRACKET, OIL DRAIN KT	1
29	25.304-C-06	FITTING, CAP 3/8 #6 JIC	1
30	25.2700-06-06LN	FITTING, BULKHEAD 3/8 W/LOCNUT	1
31	22.0040	HOSE, ASM X 7.5" 3/8 PLOCK CPE	1
32	25.7206-06-14-NWO	FITTING, 90 METRIC M14 X 1.5	1
33	90.0516	BOLT, 5/16-18 USS X 2	2
34	99.SF0606	BOLT, SF 3/8-16 USS X 3/4	2
35	62.1042	PLATE, ENGINE MOUNT	1
36	90.0520	BOLT, 5/16-18 USS X 2 1/2	2
37	99.A05	LOCKNUT, STOVER 5/16-18 USS	6
38	99.G0003	WASHER, STAR-EXTERNAL 5/16	4
39	11.0046	CLAMP, CUSHIONED METAL 1/2"	1
40	24.0017	FITTING, 31 B&S OIL DRAIN PLUG	1
41	25.8555-H14-0	FITTING, METRIC PLUG M14 X 1.5	1
42	26.0026	O-RING, .630 X .424 X .103	1

# ENGINE/ENGINE DRIVES

## ILLUSTRATED DRAWING BRIGGS & STRATTON REMOTE OIL FILTER & OIL COOLER



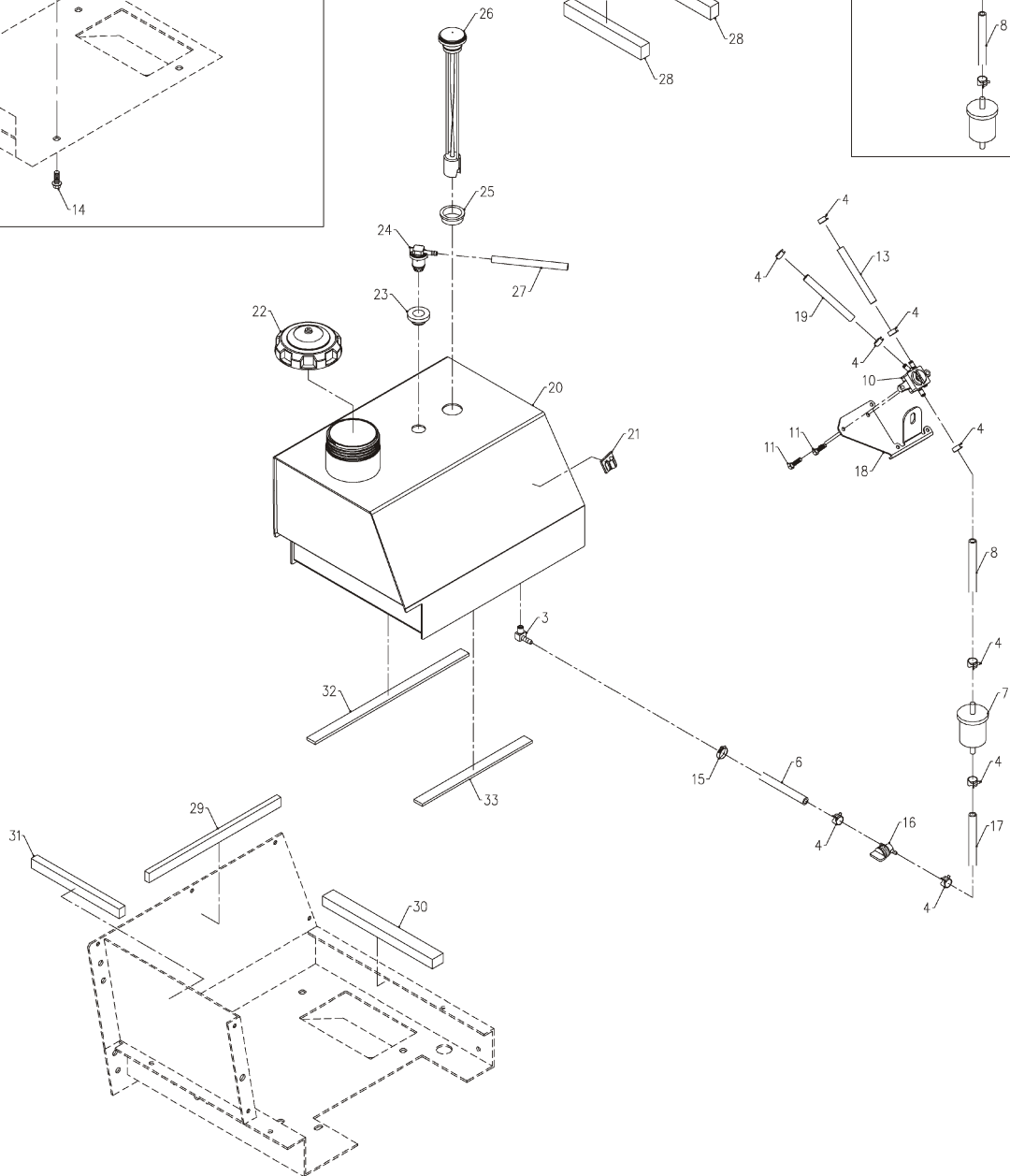
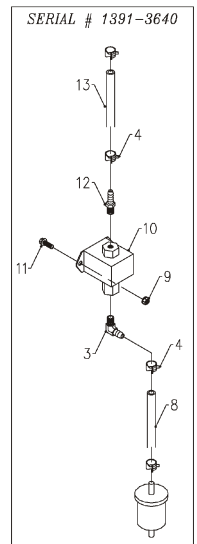
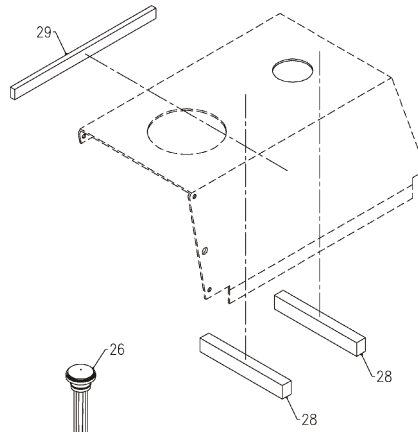
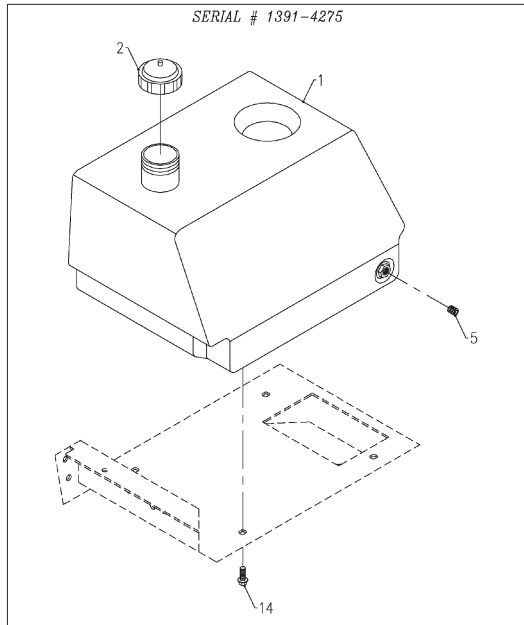
# ENGINE/ENGINE DRIVES

## BRIGGS & STRATTON REMOTE OIL FILTER & OIL COOLER

REF.	PART NO.	DESCRIPTION	QTY.
1	13.842921	FILTER, OIL	1
2	13.0183	FILTER MOUNT, SINGLE REMOTE	1
3	90.0408	BOLT, 1/4-20 USS X 1	3
4	99.SF04	NUT, SF 1/4-20 USS	7
5	25.2503-06-06	FITTING, 45 ME 3/8 X 3/8	2
6	22.0038	HOSE, ASM X 18" 3/8 PLOCK, CPE.	1
7	24.0014	FITTING, OIL FILTER ADAPTOR	1
8	26.0016	O-RING, 2.25 X 2.625 X .209	1
9	24.0012	ADAPTER, OIL FILTER BASE 2-3/4	1
10	26.0015	O-RING, .750 X 1" X .138	1
11	26.0017	O-RING, 1.00 X 1.188 X .0938	1
12	24.0013	CAP, SECURE-OIL FILTER ADAPTER	1
13	25.2503-06-04	FITTING, 45 ME 3/8 X 1/4	1
14	22.0037	HOSE, ASM X 6.5" 3/8 PLOCK CPE.	1
15	25.2501-06-04	FITTING, 90 ME 3/8 X 1/4	1
16	25.6502-06-06	FITTING, 45 MFE 3/8 X 3/8	1
17	22.0039	HOSE, ASM X 11" 3/8 PLOCK, CPE.	1
18	11.0032	CLAMP, HOSE S/S 7/16-25/32.	2
19	99.SF0404	BOLT, SF 1/4-20 X 1/2	4
20	90.0412	BOLT, 1/4-20 USS X 1 1/2	1
21	95.04	WASHER, FLAT 1/4 SAE.	2
22	05.0103	SPACER, 1/4 ID X 1/2 OD X 7/8"	1
23	21.0110	COOLER, ENGINE OIL	1
24	99.A04	LOCKNUT, STOVER 1/4-20 USS	1
25	05.0045	GROMMET, 3/4ID, 1 3/8OD, 1/2THK	1
26	06.0043-24IN	TRIM, TRIM SEAL W/BULB X 24"	1
27	30.0136	CLAMP, LOOM 1/2 ROSEBUD MOUNT	4
28	60.0921	BAFFLE, ENGINE BULKHEAD	1
29	94.04	WASHER, FLAT 1/4 USS	3

# ENGINE/ENGINE DRIVES

## ILLUSTRATED DRAWING BRIGGS & STRATTON FUEL SYSTEM



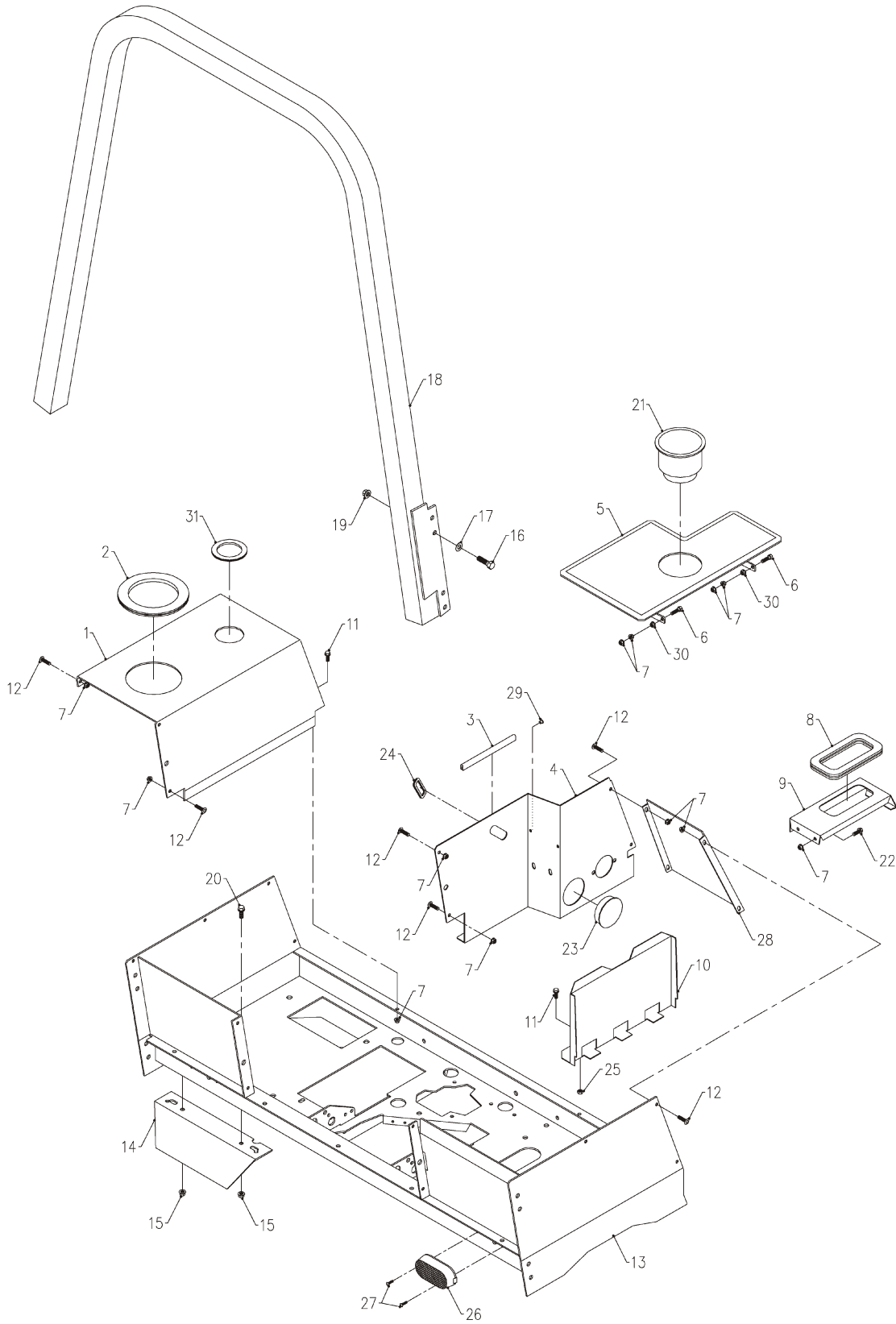
# ENGINE/ENGINE DRIVES

## BRIGGS & STRATTON FUEL SYSTEM

REF.	PART NO.	DESCRIPTION	QTY.
1	47.0249	TANK, FUEL 7.25 GAL KT41-4200 (Serial # 1391-4275)	1
2	47.0144	CAP, GAS 3-1/2" FOR 47.0124 (Serial # 1391-4275)	1
3	29.BF04MP0290-1	FITTING B. 1/4 BRB 1/8 NPT 90 (Serial # 1391-3640)	2
3	29.BF04MP0290-1	FITTING B. 1/4 BRB 1/8 NPT 90 (Serial # 3641-)	1
4	11.0049	CLAMP, HOSE-BAND 1/2 OD HOSE	9
5	29.P02-1	PIPE, PLUG 1/8 HEX SOCKET ZP (Serial # 1391-4275)	1
6	27.F04-1-18IN	HOSE, FUEL LINE 1/4" LOW PERM X 18" (Serial # 1391-1484)	1
6	27.F04-1-10IN	HOSE, FUEL LINE 1/4" LOW PERM X 10" (Serial # 1485-)	1
7	13.691035	FILTER, FUEL	1
8	27.F04-1-40IN	HOSE, FUEL LINE 1/4" LOW PERM X 40" (Serial # 1391-3640)	1
8	27.F04-1-7.5IN	HOSE, FUEL LINE 1/4" LOW PERM X 7-1/2" (Serial # 3641-)	1
9	99.SF04	NUT, SF 1/4-20 USS (Serial # 1391-3640)	2
10.	13.0209	PUMP, FUEL BRIGGS - K (Serial # 1391-3640)	1
10.	13.844527	PUMP, VACUUM FUEL (Serial # 3641-)	1
11.	99.SF0404-1	BOLT, SF 1/4-20 X 1/2 W/RUBBER (Serial # 1391-3640)	2
11.	99.M0002	BOLT, M6 X 1.00 X 16 ZP (Serial # 3641-)	2
12.	29.BF04MP02-1	FITTING B. 1/4 BRB 1/8 NPT 90 (Serial # 1391-3640)	1
13.	27.F04-1-34.5IN	HOSE, FUEL LINE 1/4" LOW PERM X 34-1/2" (Serial # 1391-3640)	1
13.	13.791766	FUEL LINE, PUMP TO CARB ST (Serial # 3641-)	1
14.	99.SF0504	BOLT, SF 5/16-18 USS X 1/2 (Serial # 1391-4275)	4
15.	11.0038	CLAMP, HOSE S/S 7/32 - 5/8	1
16.	47.0265	VALVE, FUEL SHUT-OFF (Serial # 1485-)	1
17.	27.F04-1-8IN	HOSE, FUEL LINE 1/4" LOW PERM X 8" (Serial # 1485-3640)	1
17.	27.F04-1-85IN	HOSE, FUEL LINE 1/4" LOW PERM X 85" (Serial # 3641-)	1
18.	64.1509	MOUNT,VACUUM FUEL PUMP (Serial # 3641-)	1
19.	13.844525	VACUUM LINE, FORMED (Serial # 3641-)	1
20.	47.0304	TANK, FUEL STEEL KT4100/4200 (Serial # 4276-)	1
21.	30.0226	CLAMP, WIRE MT ADH. 3/8 GRAY (Serial # 4276-)	1
22.	47.0309	CAP, 3-1/2" UNVENTED GAS (Serial # 4276-)	1
23.	05.0128	GROMMET, FOR 29.0094 (Serial # 4276-)	1
24.	29.0094	VENT, FUEL TANK BREATHER (Serial # 4276-)	1
25.	05.0129	GROMMET, FOR 35.0116 (Serial # 4276-)	1
26.	35.0116	GAUGE, FUEL LEVEL (Serial # 4276-)	1
27.	27.F03-82IN	HOSE, FUEL LINE X 3/16 X 82" (Serial # 4276-)	1
28.	06.0074-7IN	WEATHERSTRIP, 1" X 3/4" X 7" (Serial # 4276-)	2
29.	06.0055-12IN	WEATHERSTRIP, 3/8 X 3/4 X 12" (Serial # 4276-)	2
30.	06.0074-10IN	WEATHERSTRIP, 1" X 3/4" X 10" (Serial # 4276-)	1
31.	06.0053-8IN	WEATHERSTRIP, 9/16 X 3/4 X 8" (Serial # 4276-)	1
32.	06.0047-14IN	WEATHERSTRIP, 3/16 X 3/4 X 14" (Serial # 4276-)	1
33.	06.0047-10IN	WEATHERSTRIP, 3/16 X 3/4 X 10" (Serial # 4276-)	1

# FRAME, SHEET METAL

## ILLUSTRATED DRAWING REAR FRAME, UPPER



# FRAME, SHEET METAL

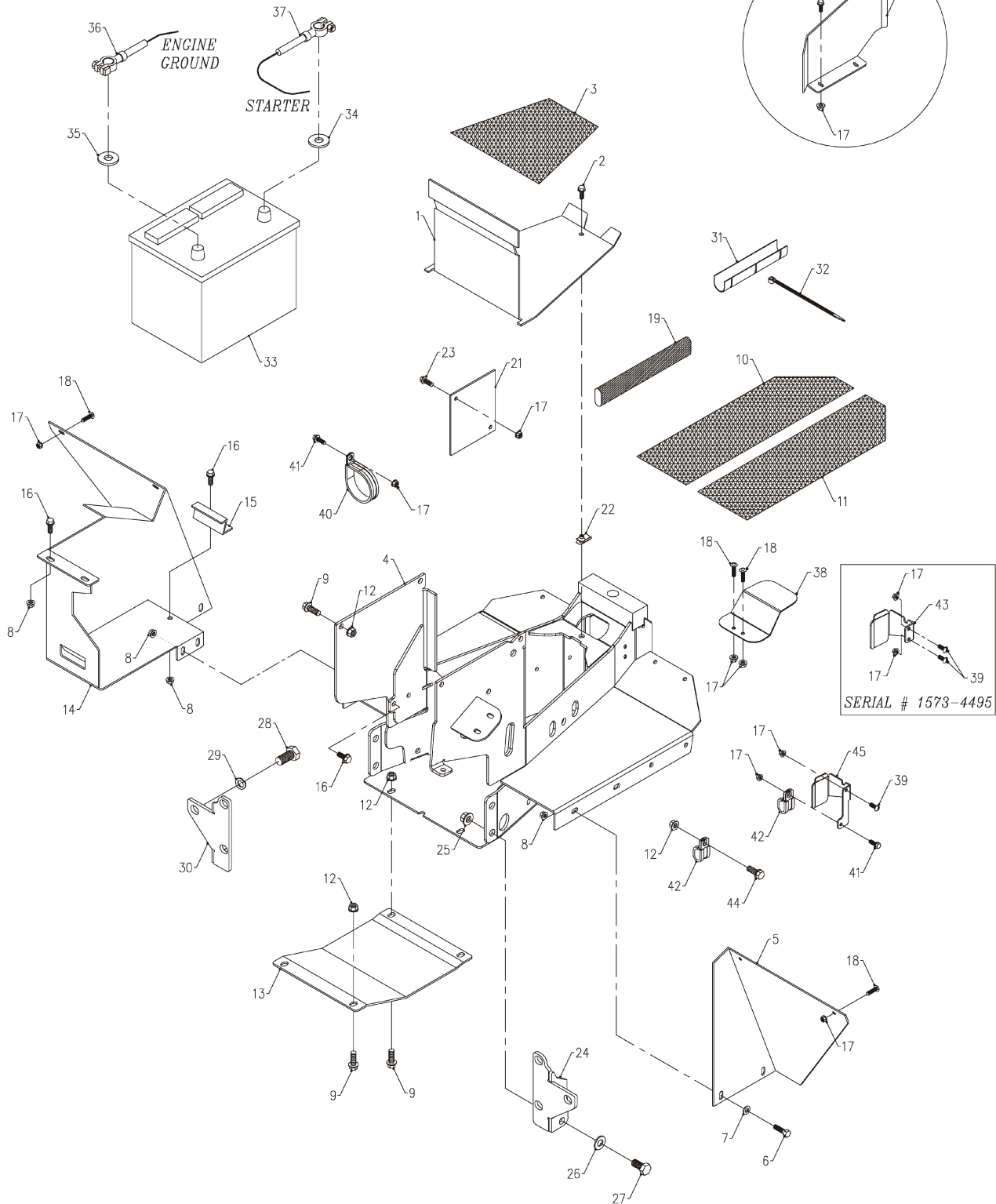
## REAR FRAME, UPPER

REF.	PART NO.	DESCRIPTION	QTY.
1	60.0675	COVER, FUEL TANK (Serial # 1391-4275)	1
1	60.1114	COVER, STEEL FUEL TANK (Serial # 4276-)	1
2	05.0050	GROMMET,4-3/16ID,5-3/8OD,5/16T	1
3	06.0042-45IN	TRIM, TRIM LOC 1/2 X 1/16 X 45"	1
4	60.0958	PANEL, INNER SIDE TOOLBOX	1
5	64.0940	LID, TOOLBOX	1
6	90.0408	BOLT, 1/4-20 USS X 1	2
7	99.SF04	NUT, SF 1/4-20 USS	20
8	05.0049	GROMMET, RECTANGULAR	1
9	60.0667	SHIELD, DIRT F/R LEVER	1
10	64.0743	COMPARTMENT, OWNERS MANUAL	1
11	99.SF0406	BOLT, SF 1/4-20 X 3/4	3
12	99.K0063	BOLT, BUT HD SOCK SS 1/4 X 1/2	8
13	62.0860	FRAME, REAR FENDER WELDMNT	1
14	60.0672	FENDER, REAR FLAP	2
15	99.SF05	NUT, SF 5/16-18 USS	4
16	90.0606	BOLT, 3/8-16 USS X 3/4	8
17	95.06	WASHER, FLAT 3/8 SAE	8
18	62.0772	ROLL BAR, WELDMNT	1
19	99.SF06	NUT, SF 3/8-16 USS	8
20	99.SF0506	BOLT, SF 5/16-18 USS X 3/4	3
21	47.0185	HOLDER, CUP 3.586 OD X3-1/4 DP	1
22	99.SF0404	BOLT, SF 1/4-20 X 1/2	7
23	05.0076	PLUG, 2-1/2" HOLE, BLK PLASTIC	1
24	05.0079	GROMMET,1.6 ID, 2.25 OD,7/16 T	1
25	92.04	NUT, 1/4-20 USS	2
26	33.0022	LIGHT, TAIL RED-SINGLE BULB	2
	33.0034	LENS, RED REPLACEMENT	
	33.0038	BULB, LIGHT (ONLY) FOR 33.0022	
27	99.K0089	SCREW, S/TAP #8-18 X 1/2 ZP SF	4
28	60.0959	PANEL, FRONT SIDE TOOLBOX	1
29	05.0077	PLUG, 1/4" HOLE, NYLON	2
30	99.SF04-2	NUT, SMF 1/4-20 FREE SPINNING	2
31	05.0130	GROMMET, 2-1/8 X 2-7/8 X 7/16T (Serial # 4276-)	1

# FRAME, SHEET METAL

## ILLUSTRATED DRAWING REAR FRAME, LOWER

SERIAL # 1391-1572





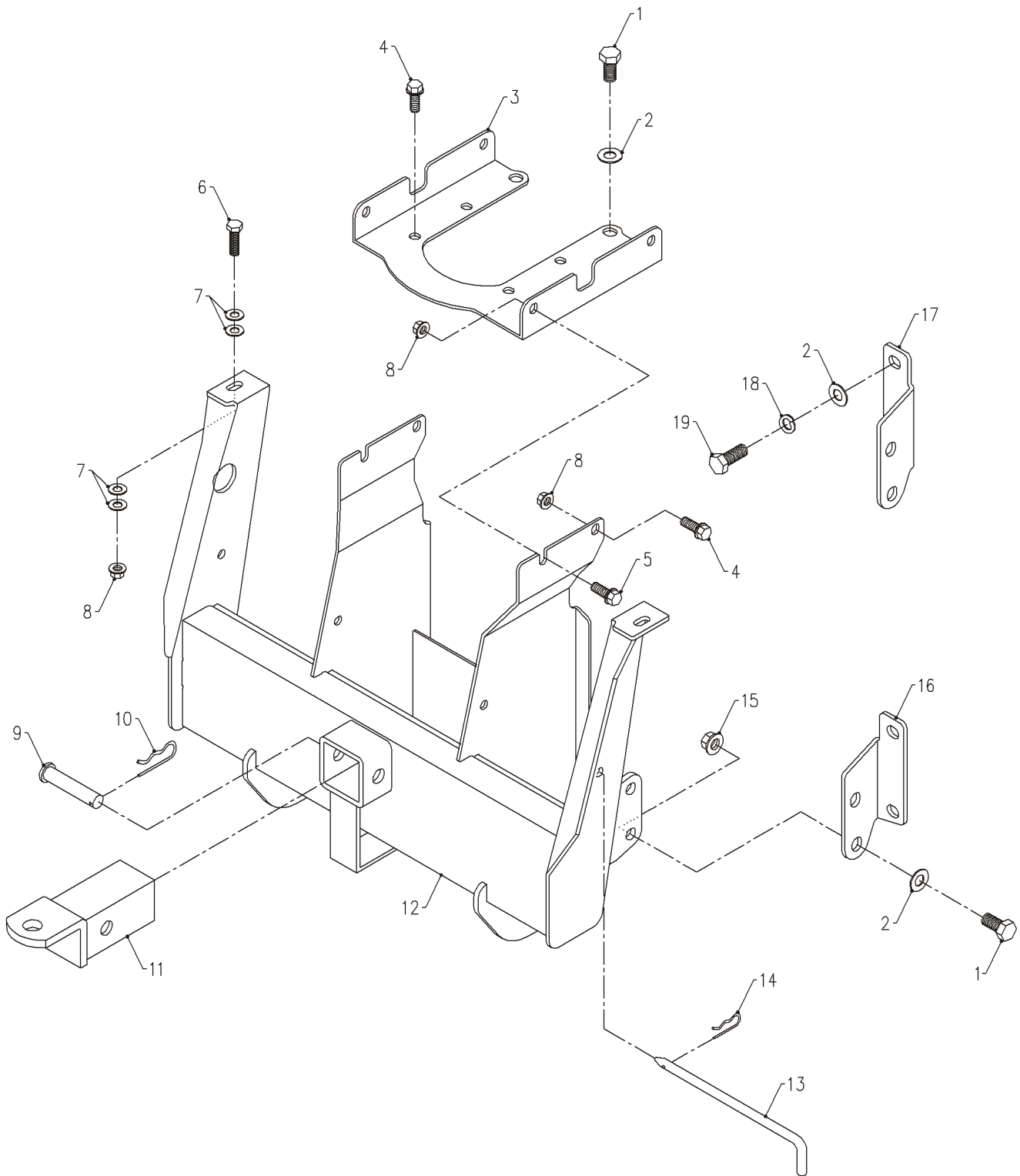
# FRAME, SHEET METAL

## REAR FRAME, LOWER

REF.	PART NO.	DESCRIPTION	QTY.
1	60.0674	COVER, FLOOR TUNNEL	1
2	99.SF0405-1	BOLT, SMF 1/4-20 X 5/8	1
3	44.0220	FLEX TREAD, TUNNEL COVER.	1
4	62.1067	FRAME, LOWER REAR WELDMENT	1
5	60.0670	FENDER, RIGHT REAR	1
6	90.0506	BOLT, 5/16-18 USS X 3/4	4
7	95.05	WASHER, FLAT 5/16 SAE	4
8	99.SF05	NUT, SF 5/16-18 USS	9
9	99.SF0606	BOLT, SF 3/8-16 USS X 3/4	8
10	44.0218	FLEX TREAD, LEFT FOOT PLATE	1
11	44.0219	FLEX TREAD, RIGHT FOOT PLATE.	1
12	99.SF06	NUT, SF 3/8-16 USS	10
13	60.0956	PLATE, REAR AXLE CVR/SKD NO3PT	1
14	60.0961	PANEL, BATTERY LEFT FENDER.	1
15	64.0687	CLAMP, BATTERY HOLDDOWN	1
16	99.SF0506	BOLT, SF 5/16-18 USS X 3/4	5
17	99.SF04	NUT, SF 1/4-20 USS	13
18	99.K0063	BOLT, BUT HD SOCK SS 1/4 X 1/2	6
19	44.0210	SLEEVE, HOSE BUNDLING 3 X 15.5	1
20	64.1113	BRACKET, TUNNEL HOSE GUARD (Serial # 1391-1572)	1
21	44.0192	PROTECTOR, HOSE	1
22	99.E0046	NUT, "U" 1/4-20 EXTRUDED	1
23	99.SF0404	BOLT, SF 1/4-20 X 1/2	4
24	64.1244	BRACKET, HITCH FRAME ANCHOR RH	1
25	99.SF08	NUT, SF 1/2-13 USS	4
26	95.08	WASHER, FLAT 1/2 SAE	4
27	90.0808	BOLT, 1/2-13 USS X 1	4
28	90.1010	BOLT, 5/8-11 USS X 1 1/4	6
29	96.10	WASHER, LOCK 5/8	6
30	64.1245	BRACKET, HITCH FRAME ANCHOR LH	1
31	44.0258	SLEEVE, HOSE PROTECTOR 8" (Serial # 1546-)	2
32	30.0204	TYTON TIE, #50 .190 X 12" (Serial # 1546-)	6
33	33.0030	BATTERY, 450 CCA	1
34	05.0121	WASHER, ANTI CORROSION RED	1
35	05.0122	WASHER, ANTI CORROSION BLACK	1
36	32.0022	CABLE, ASM NEG. BAT. BLK 74"	1
37	32.0021	CABLE, ASM POS. BAT. RED 76"	1
38	64.1467	PLATE, KT HOSE GUARD (Serial # 1573-)	1
39	99.K0069	BOLT, BUT HD SOCK SS 1/4 X 5/8	1
40	11.0069	CLAMP, CUSHIONED METAL 3" (Serial # 1573-)	1
41	99.SF0406	BOLT, SRF 1/4-20 X 3/4	2
42	11.0046	CLAMP, CUSHIONED METAL 1/2"	2
43	64.1461	RETAINER, KT HOSE (Serial # 1573-4495)	1
44	99.SF0608	BOLT, SRF 3/8-16 USS X 1	1
45	64.1669	RETAINER, KT HOSE (Serial # 4496-)	1

# FRAME, SHEET METAL

## ILLUSTRATED DRAWING REAR HITCH ASSEMBLY



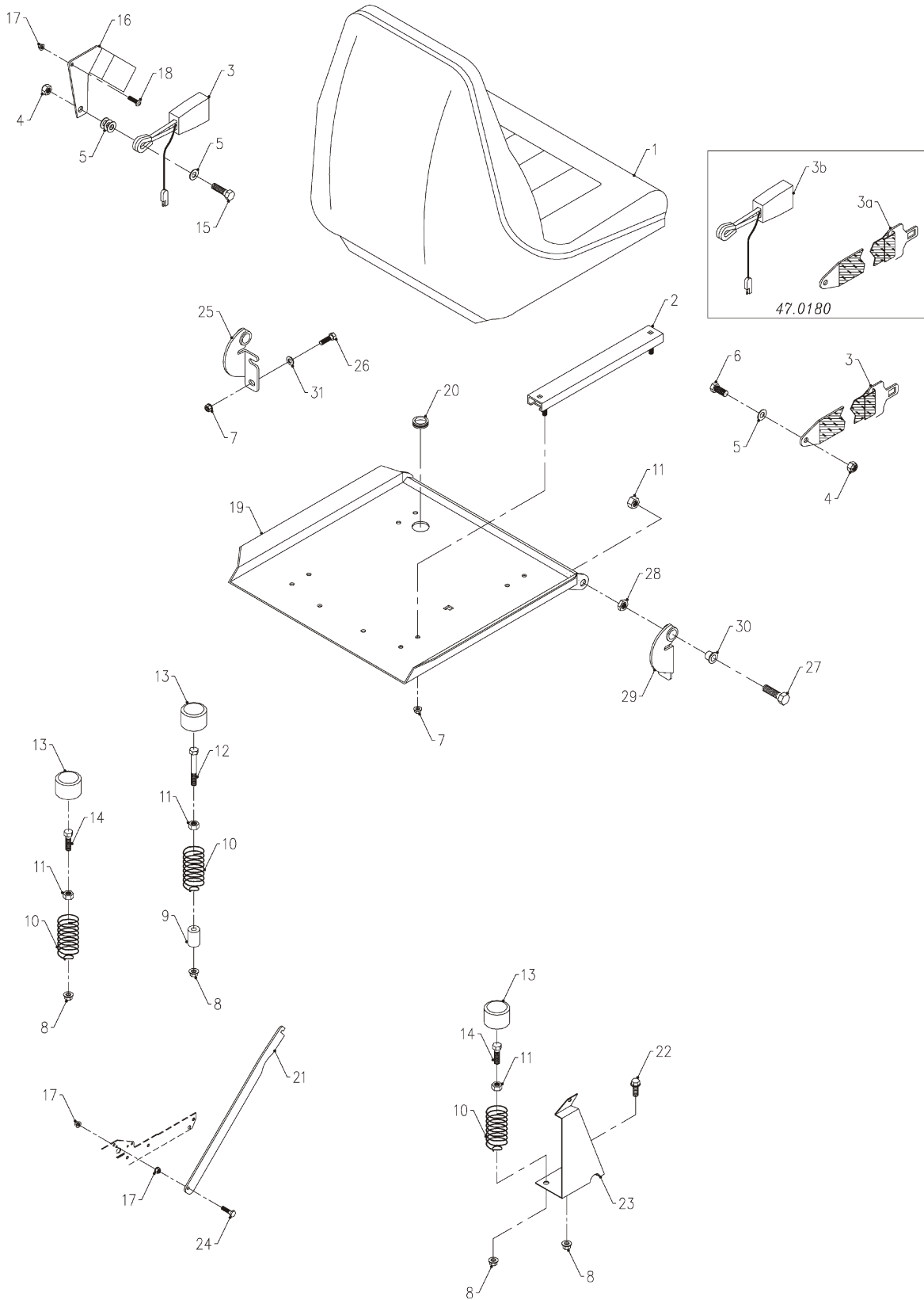
# FRAME, SHEET METAL

## REAR HITCH ASSEMBLY

REF.	PART NO.	DESCRIPTION	QTY.
1	90.0808	BOLT, 1/2-13 USS X 1	6
2	95.08	WASHER, FLAT 1/2 SAE	10
3	64.1246	BRACKET, HITCH FRAME ANCHOR UP	1
4	99.SF0606	BOLT, SF 3/8-16 USS X 3/4	6
5	99.SF0608	BOLT, SF 3/8-16 USS X 1	4
6	90.0610	BOLT, 3/8-16 USS X 1 1/4	2
7	94.06	WASHER, FLAT 3/8 USS	8
8	99.SF06	NUT, SF 3/8-16 USS	8
9	03.1024	CLEVIS PIN, 5/8 X 3 OAL	1
10	02.HP0420	HAIRPIN, 1/8 X 2 1/2	1
11	62.0968	TUBE, RECEIVER HITCH	1
12	62.1069	FRAME, WEIGHT BKT/HITCH	1
13	64.0761	PIN, WEIGHT SECURE 8" USABLE	2
14	02.HP0416	HAIRPIN, 1/8 X 2	2
15	99.SF08	NUT, SF 1/2-13 USS	4
16	62.1070	BRACKET, REAR HITCH MNT RIGHT	1
17	62.1071	BRACKET, REAR HITCH MOUNT LEFT	1
18	96.08	WASHER, LOCK 1/2	4
19	90.0810	BOLT, 1/2-13 USS X 1 1/4	4

# FRAME, SHEET METAL

## ILLUSTRATED DRAWING SEAT ASSEMBLY



# FRAME, SHEET METAL

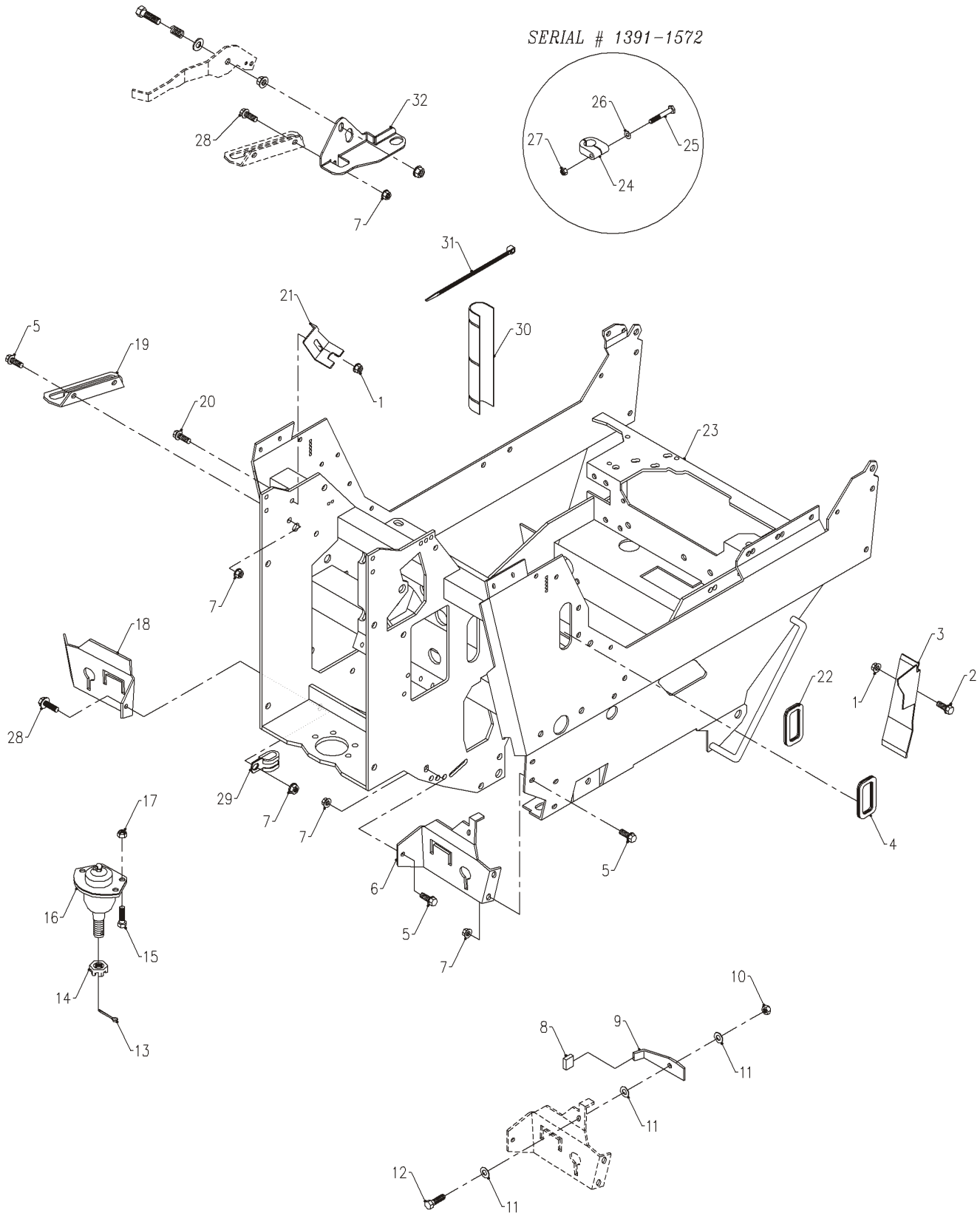
## SEAT ASSEMBLY

REF.	PART NO.	DESCRIPTION	QTY.
1	47.0112	SEAT, MOLDED HIGH BACK	1
2	47.0114	SLIDE, KIT FOR SEAT 47.0112	1
3	47.0180	SEAT BELT, LAP N/C SWITCH 60"	1
3a.	47.0180-1.	SEAT BELT, 60" LAP BELT RT SID	1
3b.	47.0180-2.	SEAT BELT, BUCKLE W N/C SWTCH	1
4	99.A07	LOCKNUT, STOVER 7/16-14 USS.	2
5	95.07	WASHER, FLAT 7/16 SAE	5
6	90.0708	BOLT, 7/16-14 USS X 1	1
7	99.SF05	NUT, SF 5/16-18 USS	8
8	99.SF06	NUT, SF 3/8-16 USS	4
9	64.0721	SPACER, SPRING MOUNT	1
10.	41.0057	SPRING, COMP 1.75 OD X 4.25 LG.	3
11.	92.08	NUT, 1/2-13 USS	5
12.	90.0618	BOLT, 3/8-16 USS X 2 1/4	1
13.	05.0053	BOOT, SPRING 1-11/16 ID X 1.	3
14.	90.0610	BOLT, 3/8-16 USS X 1 1/4	2
15.	90.0710	BOLT, 7/16-14 USS X 1 1/4	1
16.	64.0794	BRACKET, SEATBELT	1
17.	99.SF04	NUT, SF 1/4-20 USS	3
18.	99.K0069	BOLT, BUT HD SOCK SS 1/4 X 5/8	1
19.	62.1001	PLATE, SEAT KT	1
20.	05.0044	GROMMET, 1 ID, 1-3/8OD, 3/32TK	1
21.	62.1040	BRACKET, SEAT PROP	1
22.	99.SF0606	BOLT, SF 3/8-16 USS X 3/4	1
23.	64.0955	LATCH, SEAT KT.	1
24.	90.0406	BOLT, 1/4-20 USS X 3/4	1
25.	64.1095	BRACKET, SEAT PLATE HINGE LH.	1
26.	90.0506	BOLT, 5/16-18 USS X 3/4	4
27.	90.0816	BOLT, 1/2-13 USS X 2	2
28.	99.E0058	NUT, JAM 1/2-13 USS	2
29.	64.1094	BRACKET, SEAT PLATE HINGE RH.	1
30.	85.B0027	BUSHING, 1/2 ID X 5/8 OD X 5/8	2
31.	95.05	WASHER, FLAT 5/16 SAE	4

# FRAME, SHEET METAL

## ILLUSTRATED DRAWING FRONT FRAME, UPPER

SERIAL # 1391-1572



# FRAME, SHEET METAL

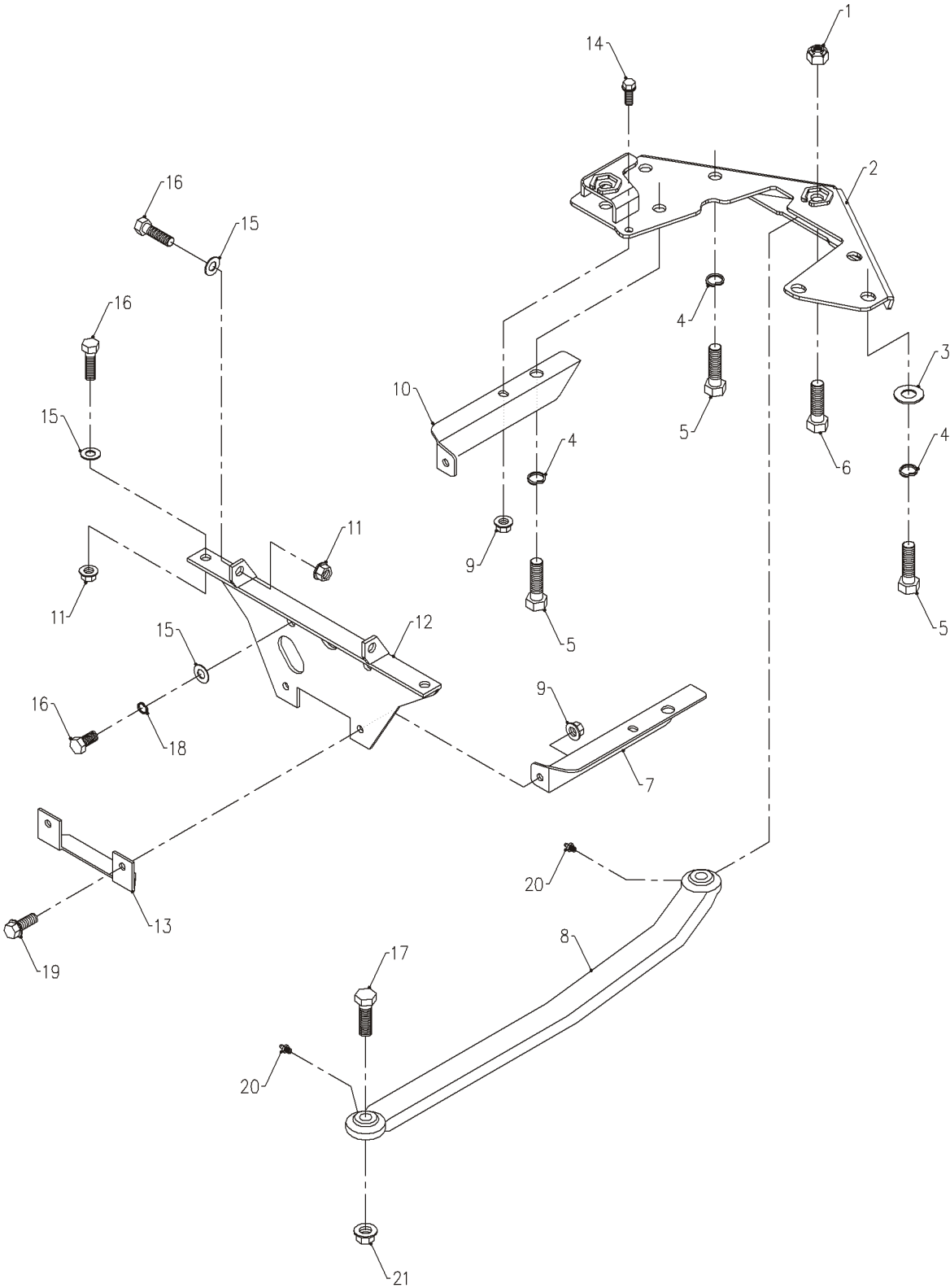
## FRONT FRAME, UPPER

REF.	PART NO.	DESCRIPTION	QTY.
1	99.SF04	NUT, SF 1/4-20 USS	3
2	99.SF0404	BOLT, SF 1/4-20 X 1/2	2
3	60.0812	RETAINER, MAIN HOSE (Serial # 1391-1545)	1
4	05.0073	GROMMET, 2 ID, 2-3/4 OD 9/16 T (Serial # 1391-1572)	2
4	05.0073	GROMMET, 2 ID, 2-3/4 OD 9/16 T (Serial # 1573-)	1
5	99.SF0506	BOLT, SF 5/16-18 USS X 3/4	6
6	64.0927	PLATE, TRANSFER CH ATTACH, RH	1
7	99.SF05	NUT, SF 5/16-18 USS	8
8	06.0044	CAP, PLASTIC 1/8 X 1/2 X 7/8	1
9	64.1042	LOCK, FRONT HITCH	1
10	99.A05	LOCKNUT, STOVER 5/16-18 USS	1
11	95.05	WASHER, FLAT 5/16 SAE	3
12	90.0508	BOLT, 5/16-18 USS X 1	1
13	02.CP0413	COTTER PIN, 1/8 X 1 5/8	1
14	99.E0057	NUT, CASTLE 5/8-18 SAE	1
15	99.K0077	BOLT, 5/16-24 SAE X 1 GRADE 8	4
16	43.101*	BALL JOINT, MAIN ARTICULATING	1
17	99.A05NF	LOCKNUT, STOVER 5/16-24 SAE	4
18	64.0928	PLATE, TRANSFER CH ATTACH, LH	1
19	64.0696	BRACKET, SLIDE-HI/LOW SHIFT	1
20	99.SF0406	BOLT, SF 1/4-20 X 3/4	1
21	64.0917	BRACKET, NEUTRAL SWITCH	1
22	05.0036	GROMMET, 1 1/2ID, 2 1/8OD, 9/16T	1
23	62.0901	FRAME, CENTER	1
24	11.0062	CLAMP, HOSE SINGLE CAVITY (Serial # 1391-1562)	2
24	11.0068	CLAMP, HOSE (Serial 1563-1572)	2
25	90.0414	BOLT, 1/4-20 USS X 1 3/4	2
26	95.04	WASHER, FLAT 1/4 SAE	2
27	99.A04	LOCKNUT, STOVER 1/4-20 USS	2
28	99.SF0508	BOLT, SF 5/16-18 X 1	2
29	11.0046	CLAMP, CUSHIONED METAL 1/2" (Serial # 1391-3695)	1
29	11.0071	CLAMP, CUSHIONED METAL 3/4" (Serial # 3696-)	1
30	44.0258	SLEEVE, HOSE PROTECTOR 8" (Serial # 1546-)	2
31	30.0204	TYTON TIE, #50 .190 X 12" (Serial # 1546-)	6
32	64.1462	MOUNT, KT BULKHEAD FITTING (Serial # 1573-)	1

\*43.101 ball joint includes references 13, 14, & 15.

# FRAME, SHEET METAL

## ILLUSTRATED DRAWING FRONT FRAME, LOWER





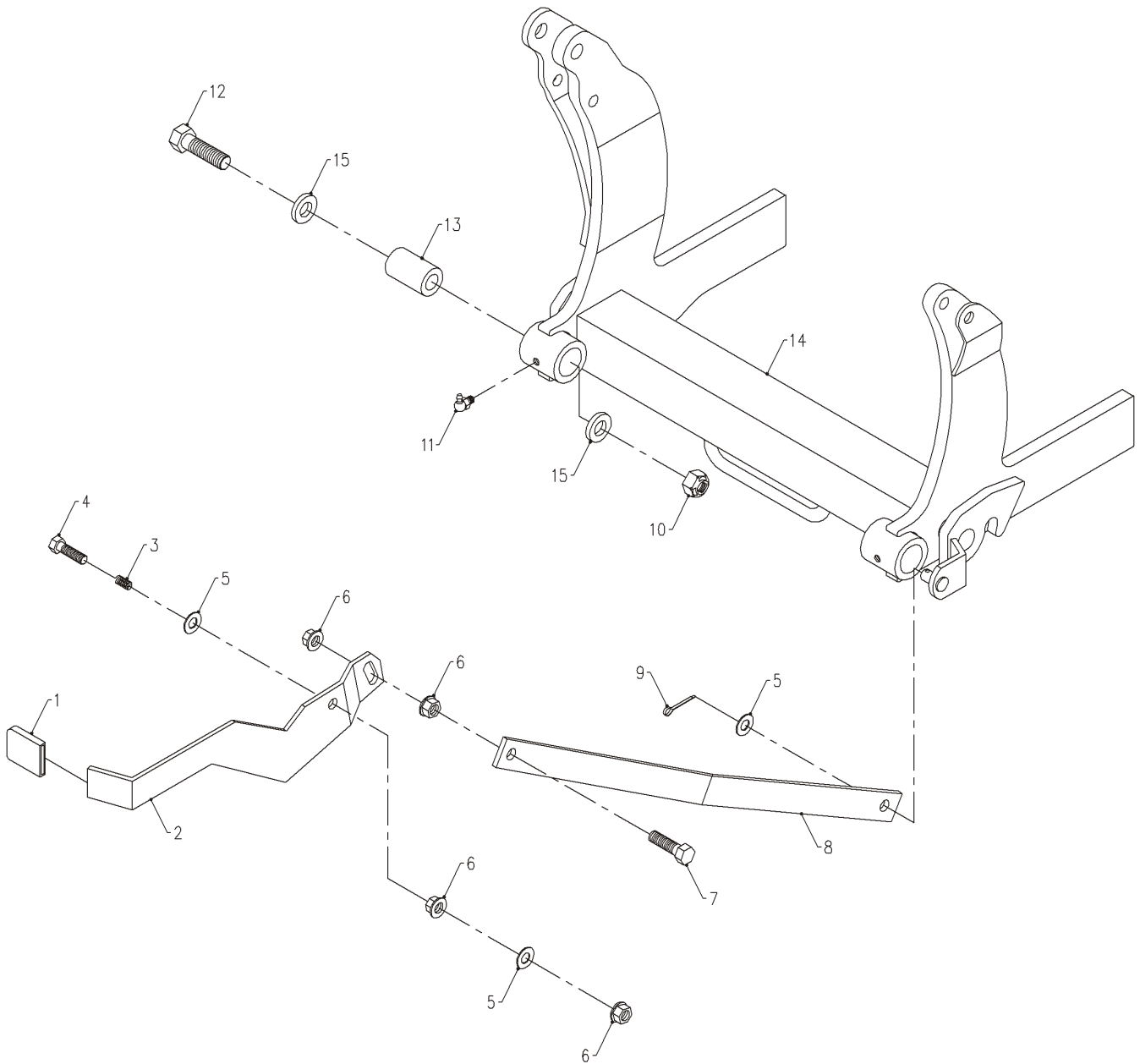
# FRAME, SHEET METAL

## FRONT FRAME, LOWER

REF.	PART NO.	DESCRIPTION	QTY.
1	99.A10NF	LOCKNUT, STOVER 5/8-18 SAE (Serial # 1391-1568)	1
1	99.E0095	LOCKNUT, 5/8-11 HEAVY NYLON (Serial # 1569-)	1
2	62.0903	FRAME, FRONT CONN. LINK ANCHOR	1
3	95.10	WASHER, FLAT 5/8 SAE	3
4	96.10	WASHER, LOCK 5/8	6
5	90.1010	BOLT, 5/8-11 USS X 1 1/4	6
6	91.1018	BOLT, 5/8-18 SAE X 2 1/4 (Serial # 1391-1568)	1
6	99.K0112	BOLT, 5/8-11 X 2-1/2 GRD A325 (Serial # 1569-)	1
7	64.0708	SKID PLATE, BOTTOM RIGHT	1
8	42.0438	LINK, FRONT/REAR CONNECTOR (Serial # 1391-1565)	1
8	42.0545	LINK, FRONT/REAR CONNECTOR (Serial # 1566-)	1
9	99.SF06	NUT, SF 3/8-16 USS	3
10	64.0709	SKID PLATE, BOTTOM LEFT	1
11	99.SF08	NUT, SF 1/2-13 USS	4
12	62.0902	FRAME, CROSS MEMBER	1
13	64.1018	SUPPORT, BELLY BAR	1
14	99.SF0606	BOLT, SF 3/8-16 USS X 3/4	1
15	95.08	WASHER, FLAT 1/2 SAE	6
16	90.0808	BOLT, 1/2-13 USS X 1	6
17	91.1016	BOLT, 5/8-18 SAE X 2 (Serial # 1391-1568)	1
17	99.K0110	BOLT, 5/8-11 X 2 GRD A325 (Serial # 1569-)	1
18	96.08	WASHER, LOCK 1/2	2
19	99.SF0608	BOLT, SF 3/8-16 USS X 1	2
20	29.GF0001	GREASE FTG, 1/4 SAE ST (Serial # 1566-)	2
21	99.A10NF	LOCKNUT, STOVER 5/8-18 SAE (Serial # 1391-1568)	1
21	99.E0094	LOCKNUT, 5/8-11 FLANGED STOVER (Serial # 1569-)	1

# FRAME, SHEET METAL

## ILLUSTRATED DRAWING FRONT HITCH



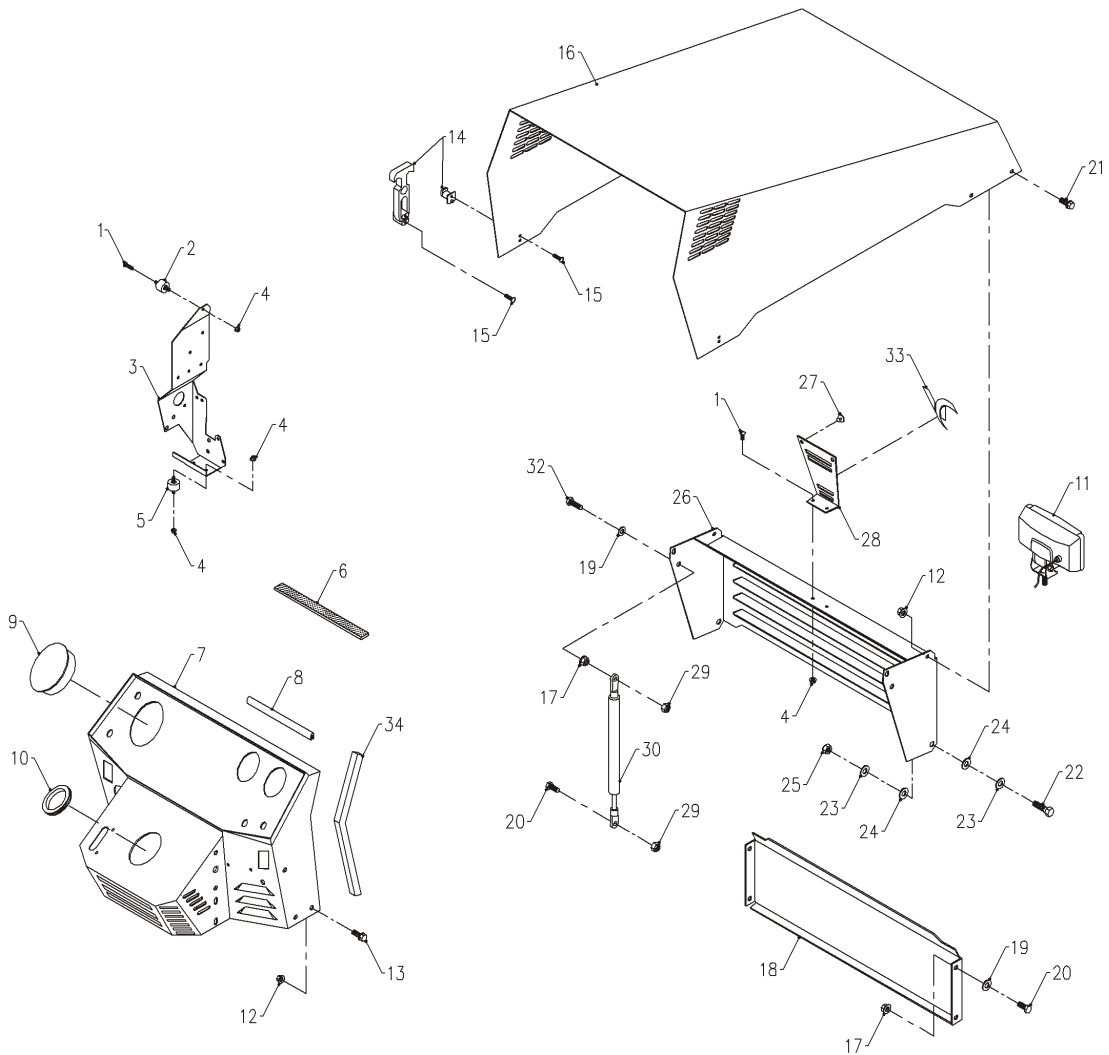
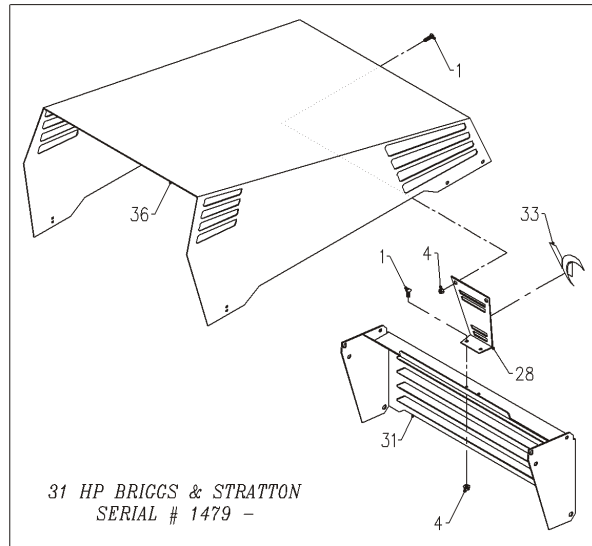
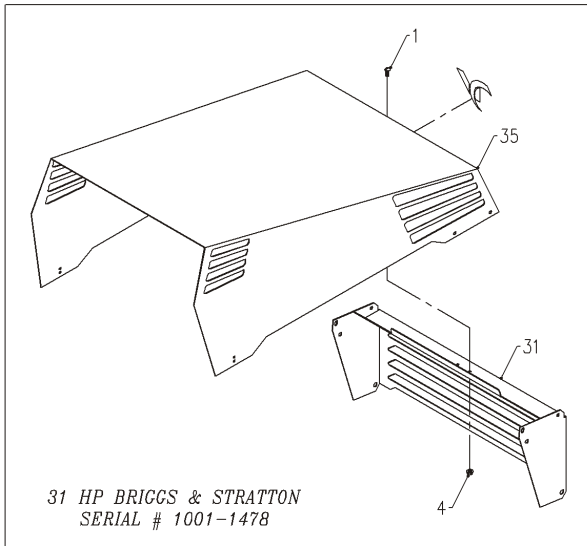
# FRAME, SHEET METAL

## FRONT HITCH

REF.	PART NO.	DESCRIPTION	QTY.
1	06.0051	CAP, 3/16 X 15/16 X 1-3/4 FE	1
2	40.0306	HANDLE, LATCH- FRONT HITCH	1
3	41.0039	SPRING, COMP. 9/16 OD X 5/8	1
4	90.0614	BOLT, 3/8-16 USS X 1-3/4	1
5	95.06	WASHER, FLAT 3/8 SAE.	3
6	99.SF06	NUT, SF 3/8-16 USS	4
7	90.0610	BOLT, 3/8-16 USS X 1 1/4	1
8	42.0456	LINK, CONNECTING FOR FRT HITCH	1
9	02.CP0506	COTTER PIN, 5/32 X 3/4.	1
10	99.A08	LOCKNUT, STOVER 1/2-13 USS	2
11	29.GF0002	GREASE FTG, 1/4 SAE 90.	2
12	90.0824	BOLT, 1/2-13 USS X 3	2
13	64.0720	BUSHING, .516 X 1.000 X 1.625.	2
14	62.1249	FRAME, FRONT HITCH KT	1
15	99.B0092	WASHER, 17/32ID X 1"OD X .165	4

# FRAME, SHEET METAL

## ILLUSTRATED DRAWING HOOD, GRILL, & DASH



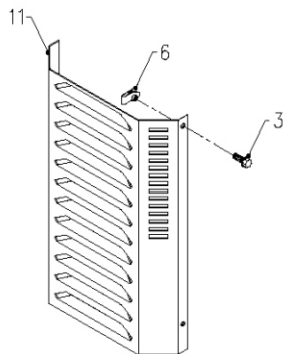
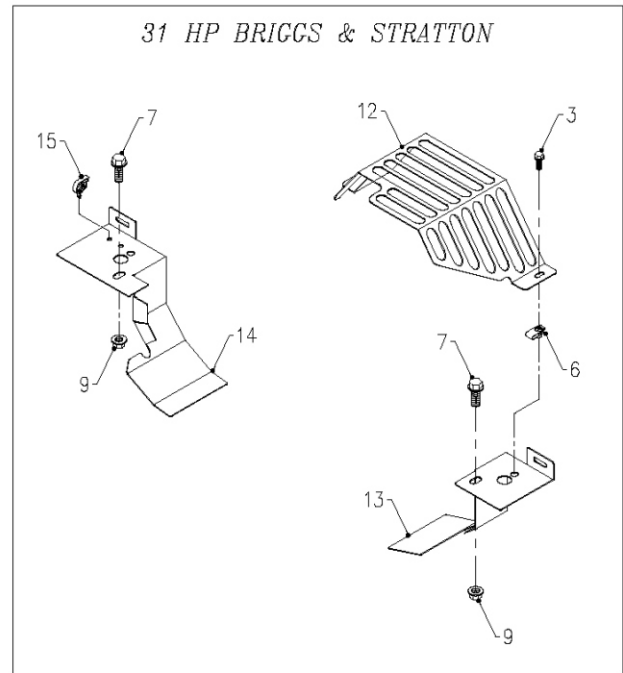
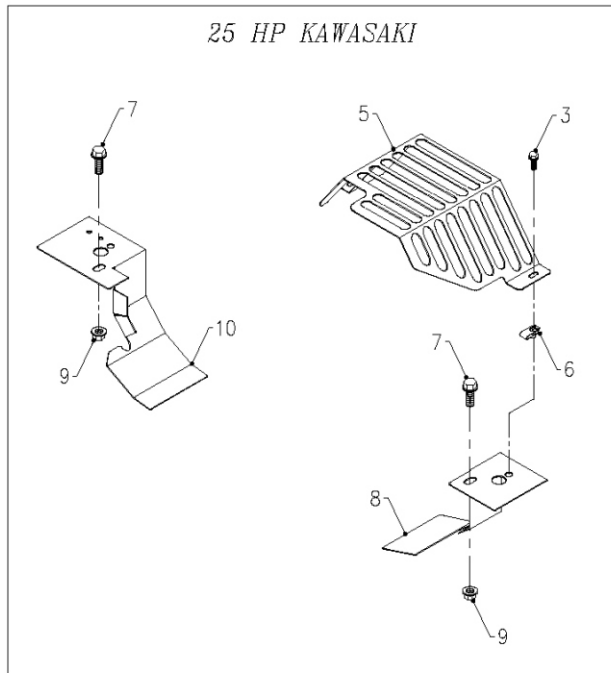
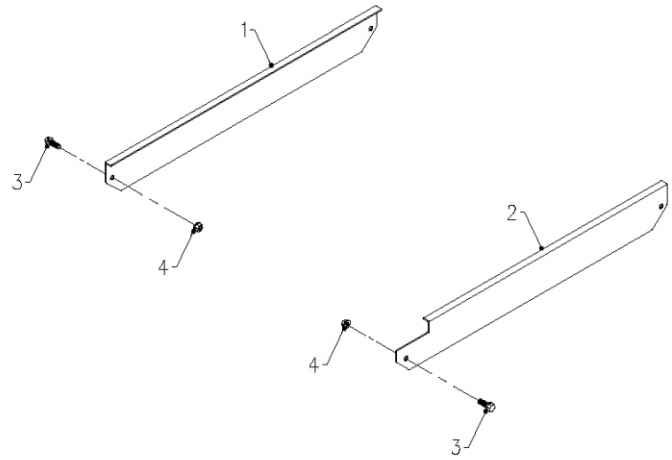
# FRAME, SHEET METAL

## HOOD, GRILL, & DASH

REF.	PART NO.	DESCRIPTION	QTY.
1	99.K0062	MACHINE SCREW, #10-32 X 1/2	5
2	05.0081	ISOLATOR, 10-32 X 1/2 X 5/8	1
3	64.0922	MOUNT, ELECTRICAL PANEL	1
4	99.E0035	NUT, SF #10-32	9
5	05.0075	ISOLATOR, 10-32 X 1/2 X 5/8	2
6	06.0045-17.25IN	WEATHERSTRIP, 1/8 X 3/4 X 17-1/4"	1
7	62.0904	DASH, BASIC	1
8	06.0042-45IN	TRIM, TRIM LOC 1/2 X 1/16 X 45"	1
9	05.0082	PLUG, 3-3/8" SNAP-IN BLACK	1
10	05.0080	GROMMET, 2-3/4ID,3-5/8OD,5/16T	1
11	33.0043	LIGHT, HEAD 12V 55W HALOGEN	2
	33.0037	BULB, LIGHT(ONLY) FOR 55 WATT	
12	99.SF04	NUT, SF 1/4-20 USS	12
13	99.SF0405-1	BOLT, SMF 1/4-20 X 5/8	8
14	47.0127	LATCH, RUBBER DRAW T-HANDLE	2
15	99.K0072	MACHINE SCREW, 10-24 X 1/2 ZP	6
16	60.0867	HOOD, STANDARD	1
17	99.SF05	NUT, SF 5/16-18 USS	5
18	60.0804	BUMPER, FRONT	1
19	95.05	WASHER, FLAT 5/16 SAE	5
20	90.0506	BOLT, 5/16-18 USS X 3/4	5
21	99.SF0404-1	BOLT, SF 1/4-20 X 1/2 W/RUBBER	4
22	90.0608	BOLT, 3/8-16 USS X 1	2
23	95.06	WASHER, FLAT 3/8 SAE	4
24	05.0083	WASHER,PVC.375 ID X.875 X .062	4
25	99.A06	LOCKNUT, STOVER 3/8-16 USS	2
26	60.0825	GRILL, FRONT KT4100/25 HP KAW.	1
27	05.0062	BUMPER, RUBBER SOLID STEM.	2
28	60.0805	GRILL, FILLER KT	1
29	99.A05	LOCKNUT, STOVER 5/16-18 USS.	2
30	47.0267	SHOCK, GAS SPRING .59 DIA 20#	1
31	60.0919	GRILL, FRONT	1
32	90.0508	BOLT, 5/16-18 USS X 1	1
33	00.0210	DECAL, V-DECAL 3D	1
34	06.0055-12IN	WEATHERSTRIP, 3/8 X 3/4 X 12"	2
35	60.0920	HOOD, KT VENTED B&S V-TWIN (Serial # 1391-1478)	1
36	60.1015	HOOD, KT B&S V-TWIN 4131 (Serial # 1479-)	1

# FRAME, SHEET METAL

## ILLUSTRATED DRAWING SHIELDS



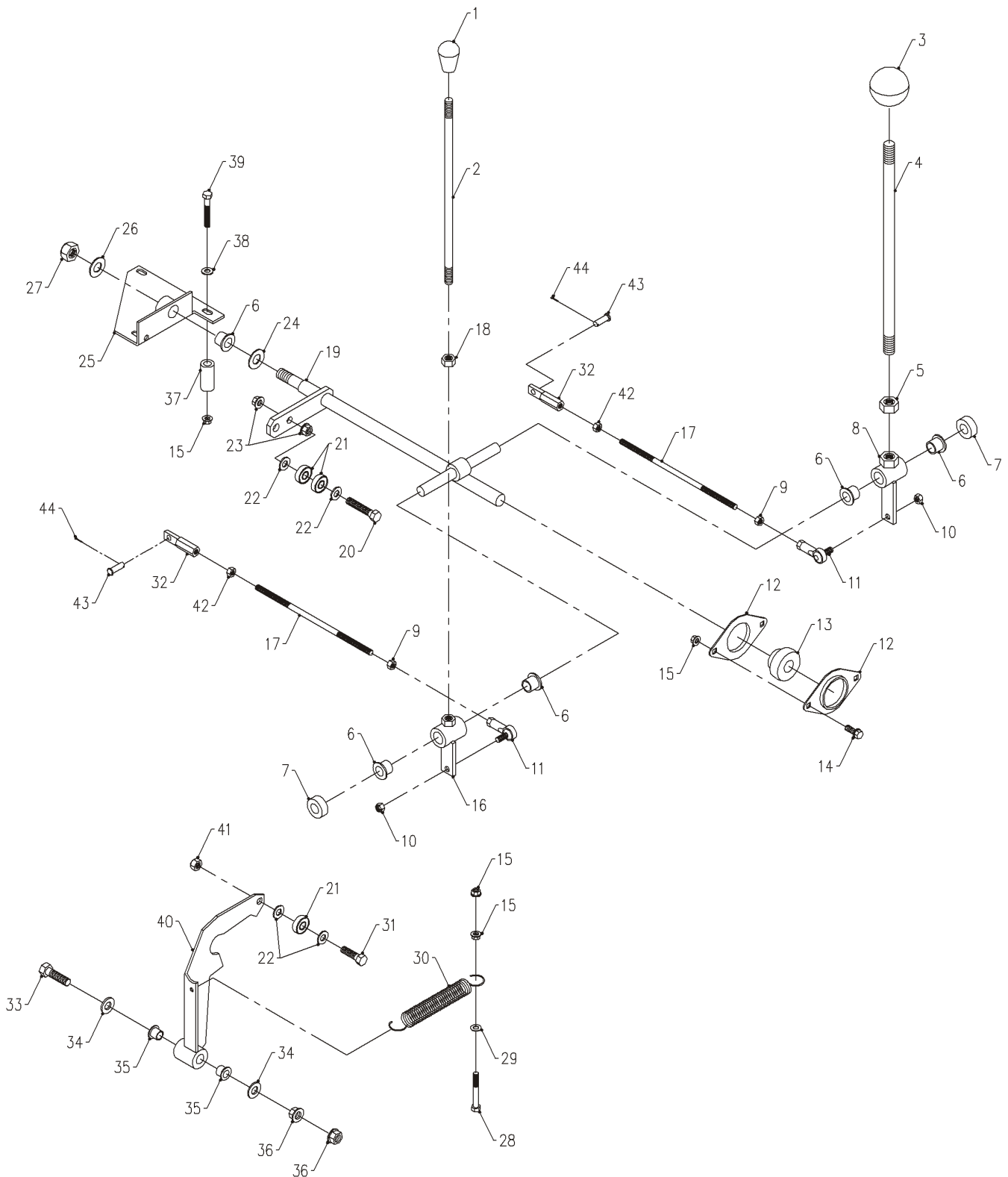
# FRAME, SHEET METAL

## SHIELDS

REF.	PART NO.	DESCRIPTION	QTY.
1	60.0806	COVER, TRANSFER SPRNG LEFT SID	1
2	60.0807	COVER, TRANSFER SPRG, RT SIDE	1
3	99.SF0405-1	BOLT, SMF 1/4-20 X 5/8	10
4	99.SF04	NUT, SF 1/4-20 USS	4
5	60.0909	SHIELD, DRIVE SHAFT 25 HP KAW	1
6	99.E0046	NUT, "U" 1/4-20 EXTRUDED	6
7	99.SF0606	BOLT, SF 3/8-16 USS X 3/4	2
8	60.0910	SHIELD, RT SIDE INTAKE 25 KAW	1
9	99.SF06	NUT, SF 3/8-16 USS	2
10	60.0911	SHIELD, LT SIDE INTAKE 25 KAW	1
11	60.0808	COVER, PUMP KT	1
12	60.0906	COVER, DRIVE SHAFT 31 B&S	1
13	60.0904	SHIELD, RT SIDE INTAKE 31 B&S	1
14	60.0905	SHIELD, LT SIDE INTAKE 31 B&S	1
15	30.0136	CLAMP, LOOM 1/2 ROSEBUD MOUNT (Serial # 3641-)	1

# CONTROLS & LINKAGE

## ILLUSTRATED DRAWING HAND CONTROLS, REAR





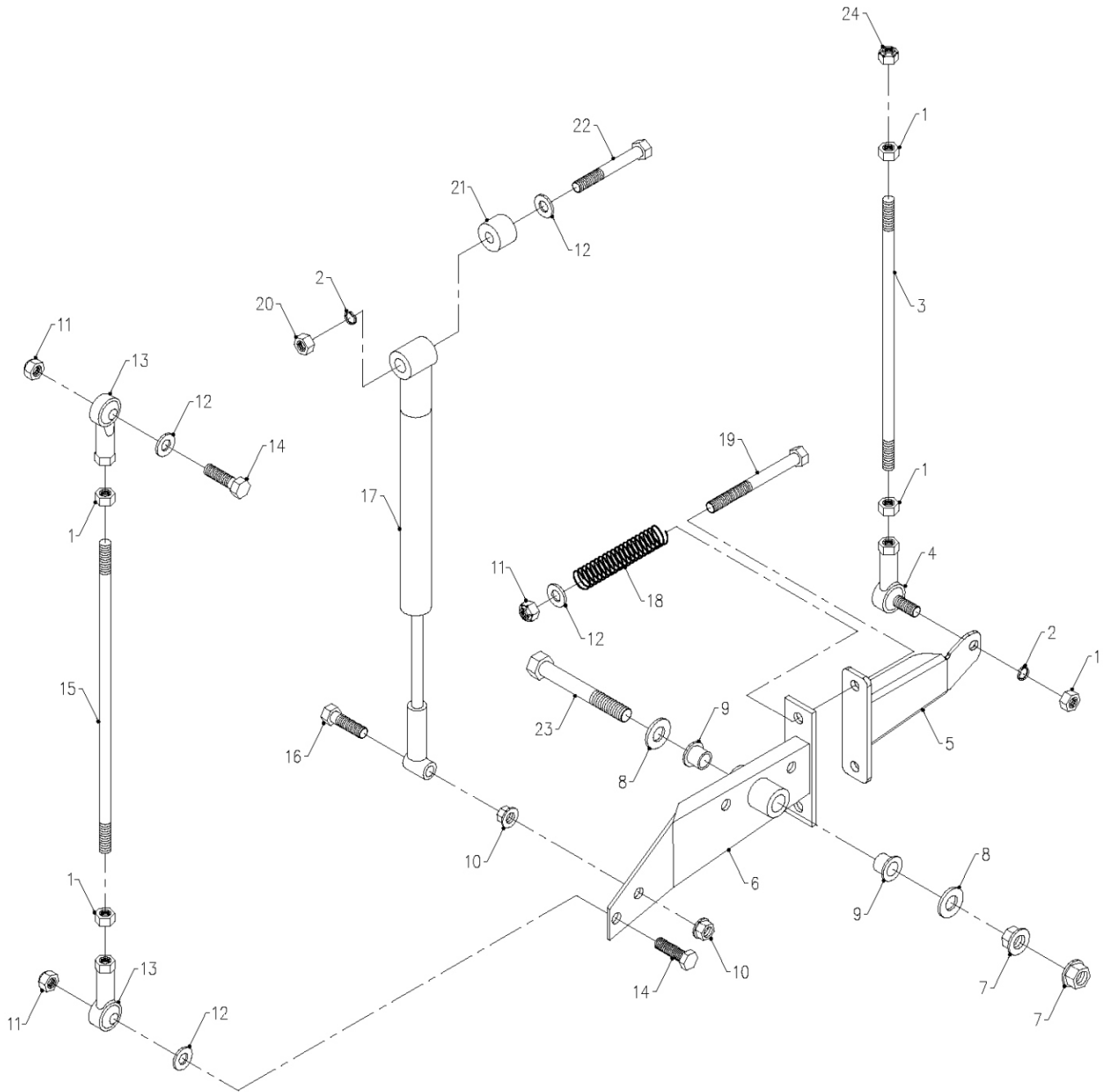
# CONTROLS & LINKAGE

## HAND CONTROLS, REAR

REF.	PART NO.	DESCRIPTION	QTY.
1	47.0001	KNOB, SM. #80 3/8-16 THREAD	1
2	40.0241	HANDLE, AUX CONTROL YZP	1
3	47.0003	KNOB, ROUND 2" X 1/2-13	1
4	40.0240	HANDLE, F/R CONTROL YZP	1
5	92.08-4	NUT, 1/2-13 YELLOW ZP	1
6	85.B0027	BUSHING, 1/2 ID X 5/8 OD X 5/8	5
7	85.SC08	SET COLLAR, 1/2"	2
8	42.0400	ARM, PIVOT LIFT HYD. VALVE	1
9	93.04	NUT, 1/4-28 SAE	2
10	99.A04NFN	LOCKNUT, NYLON 1/4-28	2
11	43.004S	ROD END, 1/4 SPHERICAL W/STUD	2
12	55.0028	FLANGE, BRG MNT 1.573/1.577 ID	2
13	55.0029	BEARING, SPHERICAL UHMW 5/8 ID	1
14	99.SF0406	BOLT, SF 1/4-20 X 3/4	2
15	99.SF04	NUT, SF 1/4-20 USS	5
16	42.0399	ARM, PIVOT AUX. HYD. VALVE	1
17	42.0472	ROD, THREAD 1/4-28X8"RH/LH YZP	2
18	92.06-4	NUT, 3/8-16 YELLOW ZP	1
19	42.0389	ROD, TORSION F/R ARM	1
20	90.0512	BOLT, 5/16-18 USS X 1 1/2	1
21	55.0022	BEARING, BALL .315 IDX.8661 OD	3
22	95.05	WASHER, FLAT 5/16 SAE	4
23	99.SF05	NUT, SF 5/16-18 USS	2
24	95.08	WASHER, FLAT 1/2 SAE	1
25	64.0684	PLATE, VALVE - F/R ARM ANCHOR	1
26	05.0052	WASHER, PLASTIC	1
27	99.A08	LOCKNUT, STOVER 1/2-13 USS	1
28	90.0410	BOLT, 1/4-20 USS X 1 1/4	1
29	94.04	WASHER, FLAT 1/4 USS	1
30	41.0020	SPRING, 4 1/4-EXT .765 OD	1
31	90.0508	BOLT, 5/16-18 USS X 1	1
32	43.004-4	ROD END, 1/4-28LH YZP VAL CTRL	2
33	90.0620	BOLT, 3/8-16 USS X 2 1/2	1
34	95.06	WASHER, FLAT 3/8 SAE	2
35	85.B0068	BUSHING, 3/8 X 1/2 OD X 5/8 LG	2
36	99.SF06	NUT, SF 3/8-16 USS	2
37	64.0719	SPACER, VALVE PLATE	1
38	95.04	WASHER, FLAT 1/4 SAE	3
39	90.0418	BOLT, 1/4-20 USS X 2 1/4	3
40	40.0317	ARM, F/R LEVER LOCK KT	1
41	99.A05	LOCKNUT, STOVER 5/16-18 USS	1
42	99.E0081	NUT, 1/4-28 LH GRADE 8 YZ	2
43	03.0406	CLEVIS PIN, 1/4 X 3/4	2
44	02.CP0204	COTTER PIN, 1/16 X 1/2	2

# CONTROLS & LINKAGE

## ILLUSTRATED DRAWING FORWARD/REVERSE ROCKER



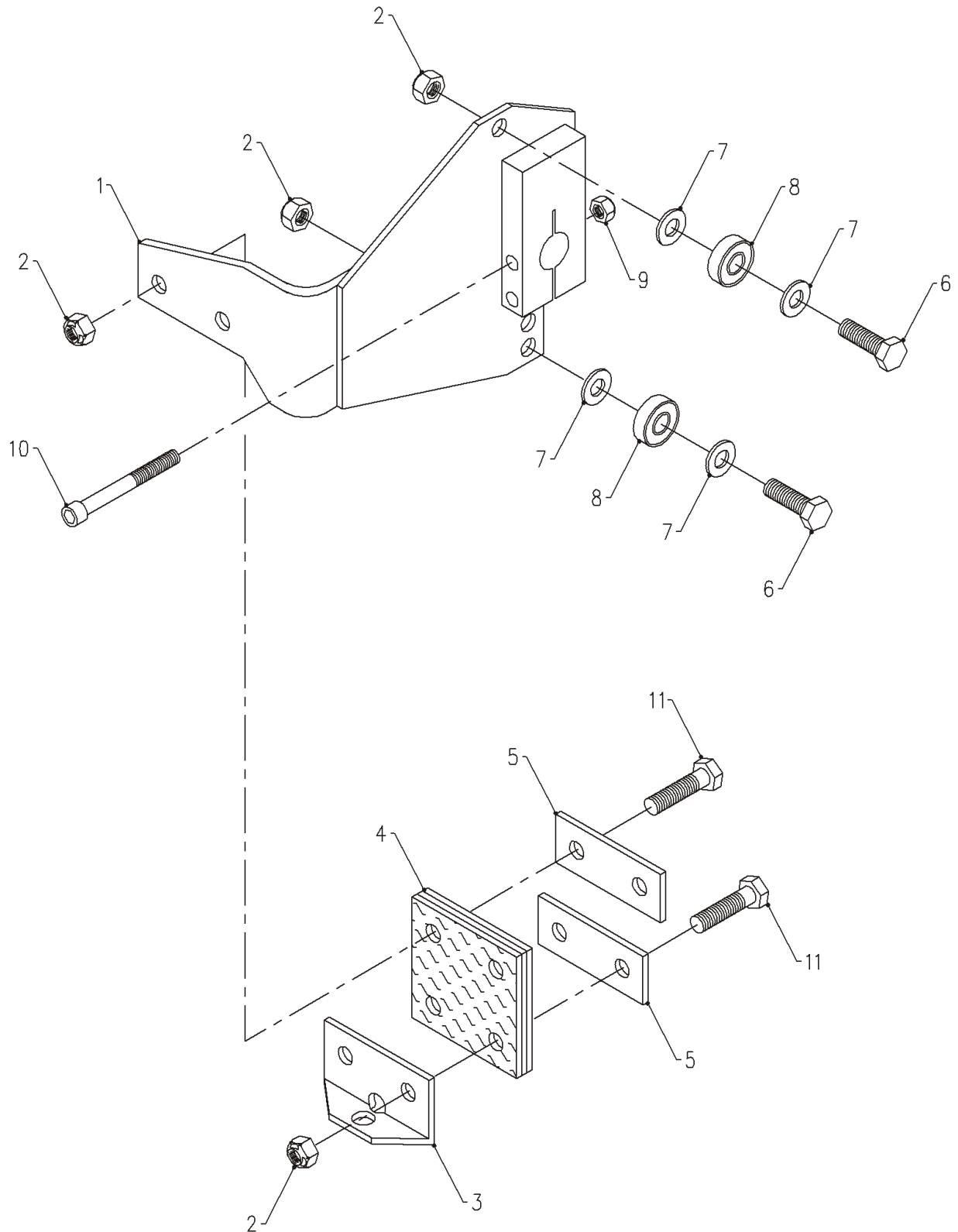
# CONTROLS & LINKAGE

## FORWARD/REVERSE ROCKER

REF.	PART NO.	DESCRIPTION	QTY.
1	93.06	NUT, 3/8-24 SAE	5
2	96.06	WASHER, LOCK 3/8	2
3	42.0393	LINK, CENTER F/R ROCKER ROD YZP (Serial # 1391-1572)	1
3	42.0547	LINK, FRONT F/R (Serial # 1573-)	1
4	43.006S	ROD END, 3/8 SPHERICAL W/STUD	1
5	40.0269	ARM, ROCKER F/R LEVER FRONT PC (Serial # 1391-1572)	1
5	40.0364	ARM, FRONT ROCKER (Serial # 1573-)	1
6	40.0268	ARM, ROCKER F/R LEVER REAR PC	1
7	99.SF08	NUT, SF 1/2-13 USS	2
8	95.08	WASHER, FLAT 1/2 SAE	2
9	85.B0027	BUSHING, 1/2 ID X 5/8 OD X 5/8	2
10	99.SF06	NUT, SF 3/8-16 USS	2
11	99.A06	LOCKNUT, STOVER 3/8-16 USS	4
12	95.06	WASHER, FLAT 3/8 SAE	5
13	43.006	ROD END, 3/8 SPHERICAL	2
14	90.0610	BOLT, 3/8-16 USS X 1 1/4	2
15	42.0392	LINK, REAR F/R ROCKER ROD YZP	1
16	90.0612	BOLT, 3/8-16 USS X 1 1/2	1
17	47.0002	STABILIZER, STEERING DAMP	1
18	41.0063	SPRING, COMP. 3/4 OD X 4" LG	2
19	90.0628	BOLT, 3/8-16 USS X 3 1/2	2
20	92.06	NUT, 3/8-16 USS	1
21	64.0722	BUSHING, F/R / SHOCK MOUNT	1
22	90.0620	BOLT, 3/8-16 USS X 2 1/2	1
23	90.0830	BOLT, 1/2-13 USS X 3-3/4	1
24	99.A06NFN	LOCKNUT, NYLON 3/8-24 SAE ZP	1

# CONTROLS & LINKAGE

## ILLUSTRATED DRAWING PUMP CONTROL ARM



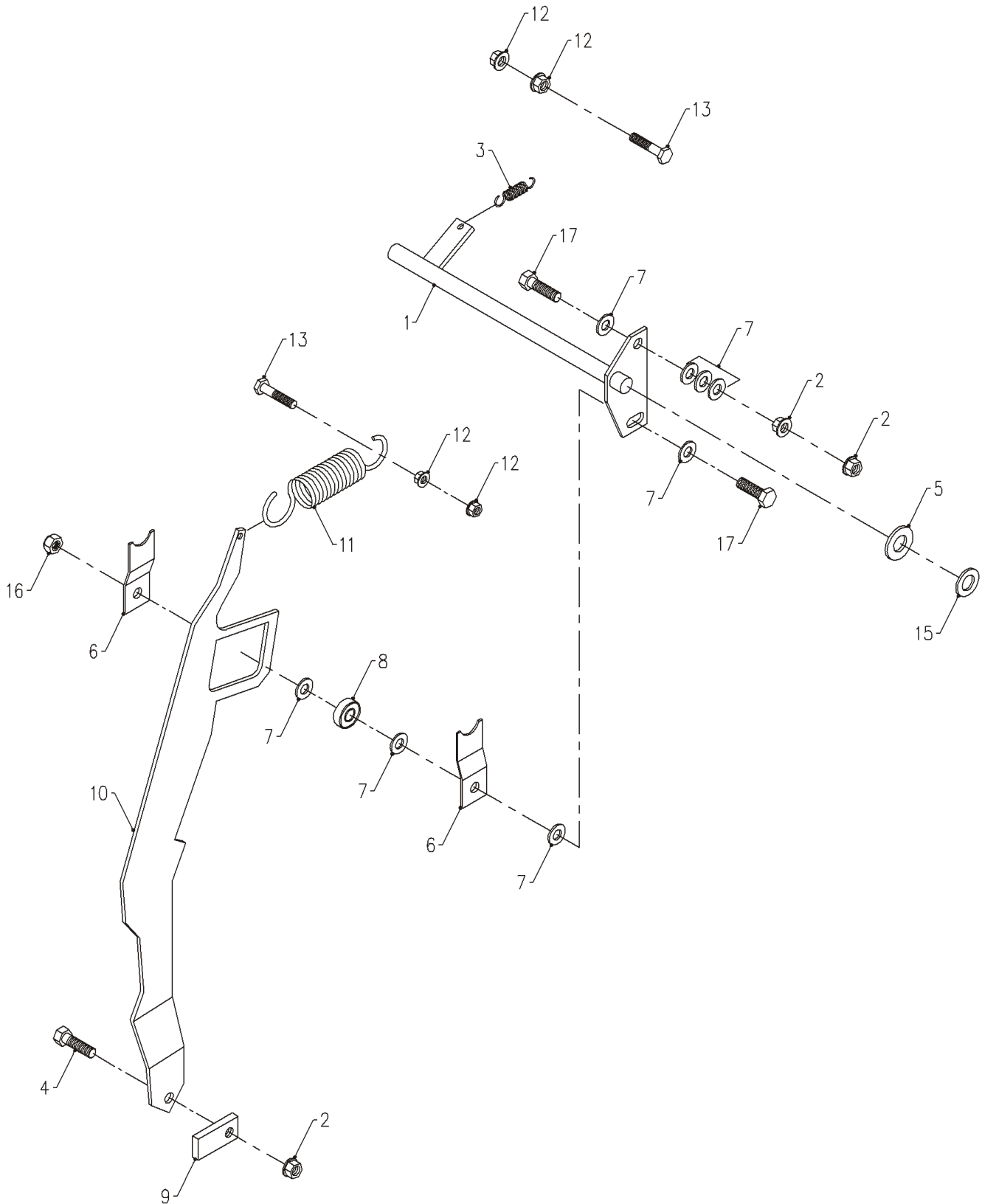
# CONTROLS & LINKAGE

## PUMP CONTROL ARM

REF.	PART NO.	DESCRIPTION	QTY.
1	40.0253	ARM, CONTROL-SWASH PLATE	1
2	99.A05	LOCKNUT, STOVER 5/16-18 USS.	6
3	64.0764	BRACKET, CONNECTOR	1
4	44.0161	LINK, RUBBER FOR SHIFT LINKAGE	1
5	64.0763	CLAMP, RUBBER CONNECTOR	2
6	90.0508	BOLT, 5/16-18 USS X 1	2
7	95.05	WASHER, FLAT 5/16 SAE	4
8	55.0022	BEARING, BALL .315 IDX.8661 OD	2
9	99.A04NFN	LOCKNUT, NYLON 1/4-28	2
10	99.K0076	BOLT, SHCS 1/4-28 X 2 GRADE 8	2
11	90.0510	BOLT, 5/16-18 USS X 1 1/4	4

# CONTROLS & LINKAGE

## ILLUSTRATED DRAWING NEUTRAL POSITION ASSEMBLY



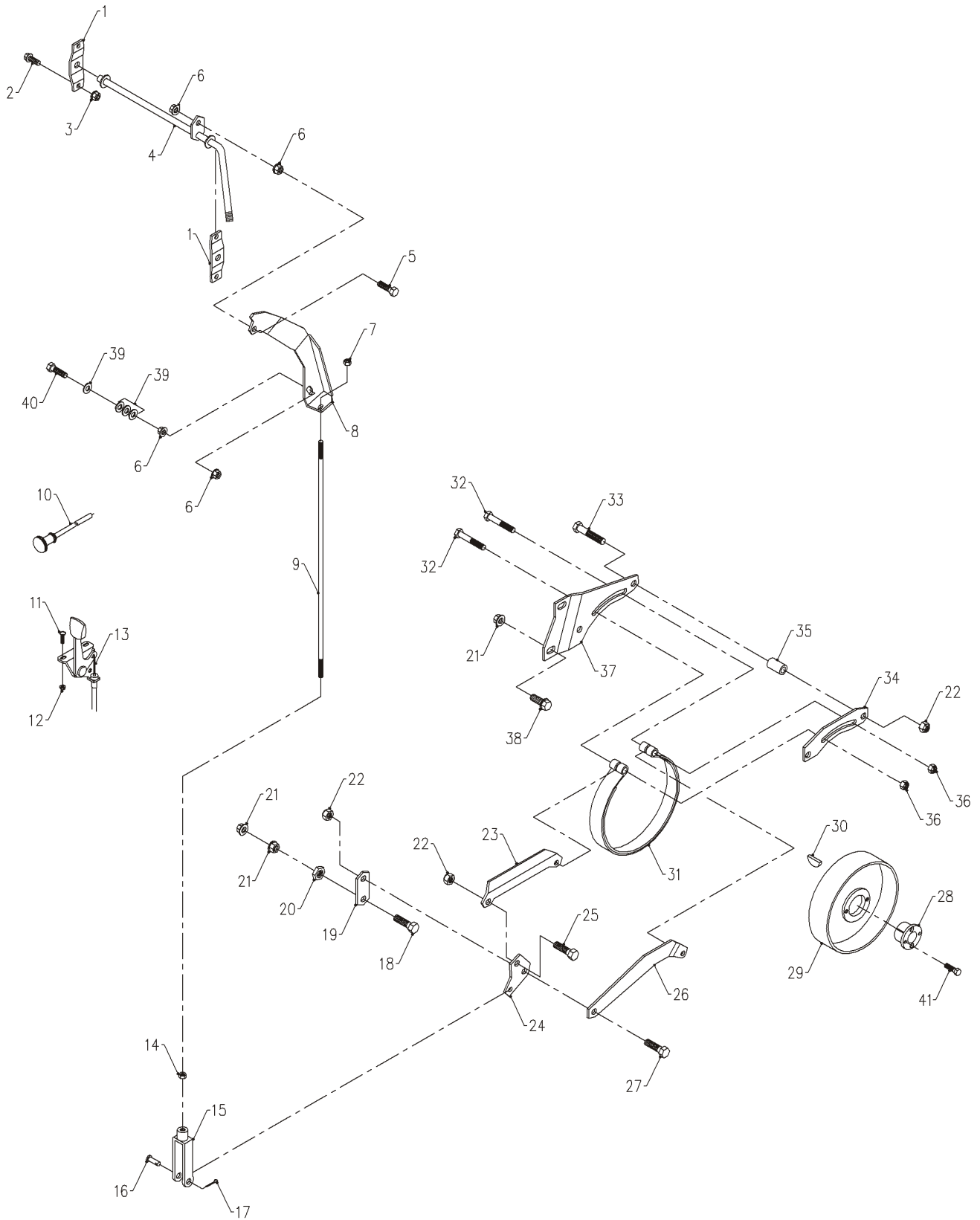
# CONTROLS & LINKAGE

## NEUTRAL POSITION ASSEMBLY

REF.	PART NO.	DESCRIPTION	QTY.
1	40.0298	ARM, ROCKER-NEUTRAL BRG MNT KT	1
2	99.SF05	NUT, SF 5/16-18 USS	3
3	41.0059	SPRING, EXT. 5/16 OD X 1-1/2	1
4	90.0508	BOLT, 5/16-18 USS X 1	1
5	99.B0090	WASHER, MACH 1/2ID 14GA PLATED	1
6	64.0690	CLIP, ALIGNMENT-NEUTRAL BRG	2
7	95.05	WASHER, FLAT 5/16 SAE	8
8	55.0022	BEARING, BALL .315 IDX.8661 OD	1
9	64.0714	NUT, LOCKING NEUTRAL ADJUSTER	1
10	42.0398	ARM, NEUTRAL	1
11	41.0060	SPRING, EXT. 1" OD X 2-1/2 LG.	1
12	99.SF04	NUT, SF 1/4-20 USS	4
13	90.0410	BOLT, 1/4-20 USS X 1 1/4	2
15	05.0052	WASHER, PLASTIC	1
16	99.A05	LOCKNUT, STOVER 5/16-18 USS.	1
17	90.0510	BOLT, 5/16-18 USS X 1 1/4	2

# CONTROLS & LINKAGE

## ILLUSTRATED DRAWING PARK BRAKE, THROTTLE, & CHOKE





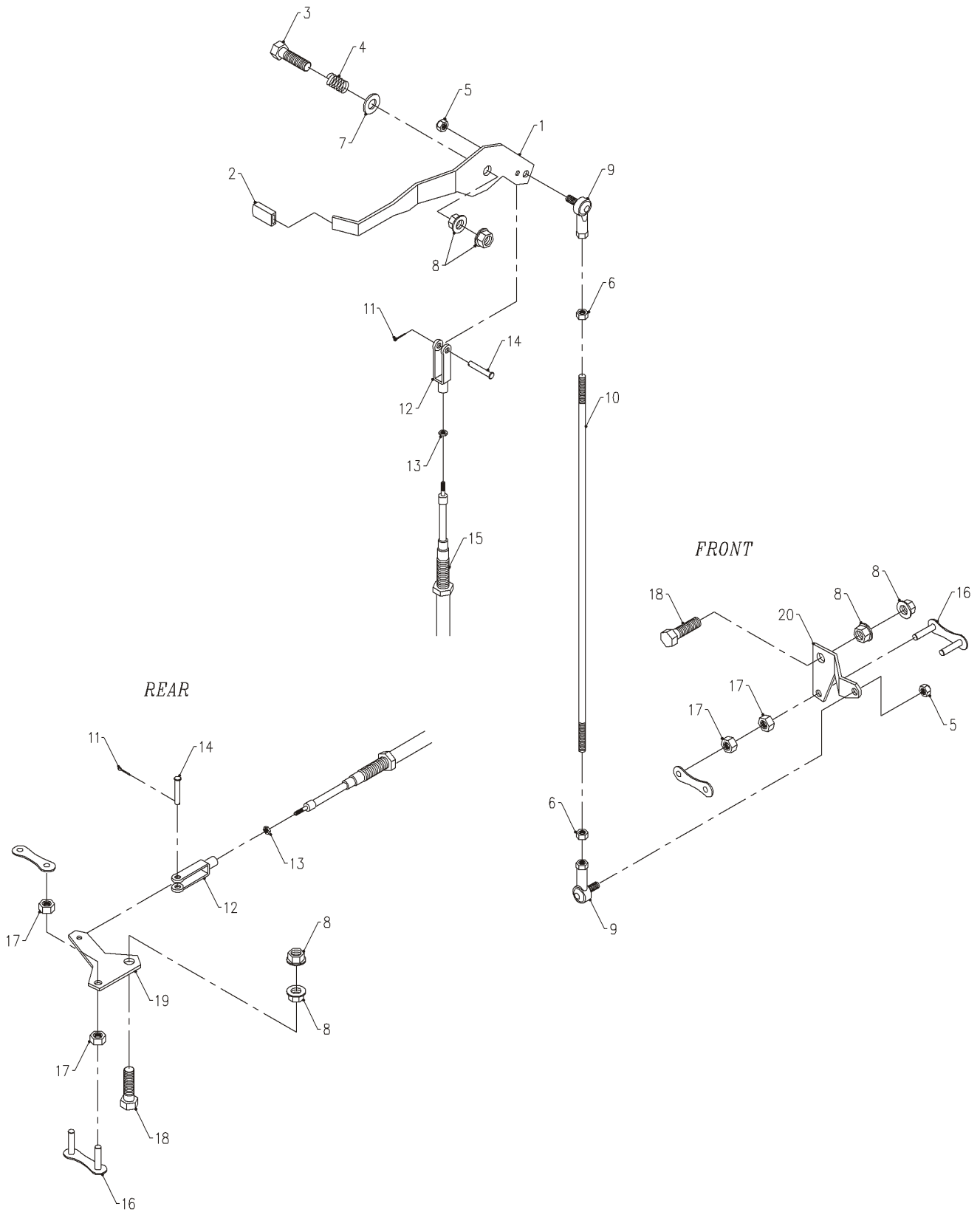
# CONTROLS & LINKAGE

## PARK BRAKE, THROTTLE, & CHOKE

REF.	PART NO.	DESCRIPTION	QTY.
1	64.0942	PIVOT, PLATE-PARK HANDLE KT.	2
2	99.SF0405-1	BOLT, SMF 1/4-20 X 5/8	4
3	99.SF04	NUT, SF 1/4-20 USS	4
4	40.0295	HANDLE, PARK BRAKE KT	1
5	90.0508	BOLT, 5/16-18 USS X 1	1
6	99.SF05	NUT, SF 5/16-18 USS	4
7	99.A04NFN	LOCKNUT, NYLON 1/4-28	1
8	42.0444	LINK, BRAKE PULL BAR KT.	1
9	42.0394	LINK, BRAKE	1
10	47.0121	CABLE, CHOKE 60" LONG, 2" Trav	1
11	99.K0062	MACHINE SCREW, #10-32 X 1/2	2
12	99.E0035	NUT, SF #10-32	2
13	47.0179	CABLE, THROTTLE 40" 1-5/8 TRAV	1
14	93.04	NUT, 1/4-28 SAE	1
15	43.C04-28	CLEVIS END, 1/4-28	1
16	03.040638	CLEVIS PIN, 1/4 X 51/64	1
17	02.CP0306	COTTER PIN, 3/32 X 3/4	1
18	90.0612	BOLT, 3/8-16 USS X 1 1/2	1
19	42.0443	LINK, BRAKE TORQUE KT	1
20	99.E0058	NUT, JAM 1/2-13 USS	1
21	99.SF06	NUT, SF 3/8-16 USS	4
22	99.A06	LOCKNUT, STOVER 3/8-16 USS	4
23	42.0442	LINK, BRAKE PUSH KT	1
24	64.0919	ROCKER, BRAKE KT	1
25	90.0606	BOLT, 3/8-16 USS X 3/4	1
26	42.0441	LINK, BRAKE PULL KT	1
27	90.0608	BOLT, 3/8-16 USS X 1	1
28	83.H16S-1	BUSHING, 1" SPLIT 3/16" KEY	1
29	53.0134	DRUM, 6" BRAKE -W/TAPER HUB	1
30	85.W0306	KEY, WOODRUFF 3/16" X 3/4"	1
31	53.0076	BAND, BRAKE FOR 6" DRUM	1
32	90.0516	BOLT, 5/16-18 USS X 2	2
33	90.0616	BOLT, 3/8-16 USS X 2	2
34	64.0920	PLATE, BRAKE ANCHOR OUTER	1
35	64.0718	SPACER, BRAKE	2
36	99.A05	LOCKNUT, STOVER 5/16-18 USS	2
37	64.0921	PLATE, BRAKE ANCHOR INNER	1
38	99.SF0606	BOLT, SF 3/8-16 USS X 3/4	2
39	95.05	WASHER, FLAT 5/16 SAE	4
40	90.0510	BOLT, 5/16-18 USS X 1 1/4	1
41	99.K0099	BOLT, 1/4-20 X 1" GRD 8	2

# CONTROLS & LINKAGE

## ILLUSTRATED DRAWING HIGH/LOW SHIFT LINKAGE



# CONTROLS & LINKAGE

## HIGH/LOW SHIFT LINKAGE

REF.	PART NO.	DESCRIPTION	QTY.
1	40.0296	HANDLE, HI/LOW SHIFT KT.	1
2	06.0044	CAP, PLASTIC 1/8 X 1/2 X 7/8	1
3	90.0614	BOLT, 3/8-16 USS X 1 3/4	1
4	41.0039	SPRING, COMP. 9/16 OD X 5/8	1
5	99.A04NFN	LOCKNUT, NYLON 1/4-28	2
6	93.04	NUT, 1/4-28 SAE	2
7	95.06	WASHER, FLAT 3/8 SAE	1
8	99.SF06	NUT, SF 3/8-16 USS	6
9	43.004S	ROD END, 1/4 SPHERICAL W/STUD	2
10	42.0437	ROD, HI/LOW TO FRONT AXLE KT.	1
11	02.CP0204	COTTER PIN, 1/16 X 1/2	2
12	43.C10-32-1	CLEVIS END, KIT- #10-32 3/16	2
13	99.E0034	NUT, #10-32	2
14	03.0305	CLEVIS PIN, 3/16 X 5/8 ZP	2
15	47.0122	CABLE, HI-LOW SHIFT HT	1
16	81.0124	LINK, CONN #60 DOUBLE PITCH	2
17	92.05	NUT, 5/16-18 USS	4
18	90.0610	BOLT, 3/8-16 USS X 1 1/4	2
19	42.0390	ARM, HI/LOW SHIFT ROCKER	1
20	64.0703	PIVOT, PLATE - FRONT SHIFT	1



# CONTROLS & LINKAGE

## PTO BELT TIGHTENER

REF.	PART NO.	DESCRIPTION	QTY.
1	40.0294	ARM, BELT TIGHTENER/DBL PULLEY	1
2	85.SC16-1	SET COLLAR, 1.015"	1
3	90.0622	BOLT, 3/8-16 USS X 2 3/4	1
4	99.SF06	NUT, SF 3/8-16 USS	2
5	99.SF04	NUT, SF 1/4-20 USS	2
6	99.SF0405-1	BOLT, SMF 1/4-20 X 5/8	2
7	90.0510	BOLT, 5/16-18 USS X 1 1/4	2
8	94.05	WASHER, FLAT 5/16 USS	2
9	99.SF05	NUT, SF 5/16-18 USS	10
10	41.0056	SPRING, EXT 7/8 OD X 8-1/2 LNG	1
11	90.0508	BOLT, 5/16-18 USS X 1	2
12	47.0268	DAMPER, HYDRAULIC	1
13	64.0694	ANCHOR, QUICK HITCH HANDLE-REAR	1
14	99.SF0506	BOLT, SF 5/16-18 USS X 3/4	2
15	64.0693	BRACKET, FRONT BELT TIGHTENER	1
16	40.0299	LEVER, BELT TIGHTENER KT	1
17	47.0001	KNOB, SM. #80 3/8-16 THREAD	1
18	40.0327	ARM, BELT TIGT/DBL PULLEY MONT	1
19	64.1168	ANCHOR, BELT TIGHTENER HANDLE	1
20	90.0508	BOLT, 5/16-18 USS X 1 (Serial # 4548-)	2
21	95.05	WASHER, FLAT 5/16 SAE (Serial # 4548-)	2
22	64.1668	PLATE, PTO WEARBAR (Serial # 4548-)	1
23	99.SF05	NUT, SRF 5/16-18 USS (Serial # 4548-)	2



# OPTIONS

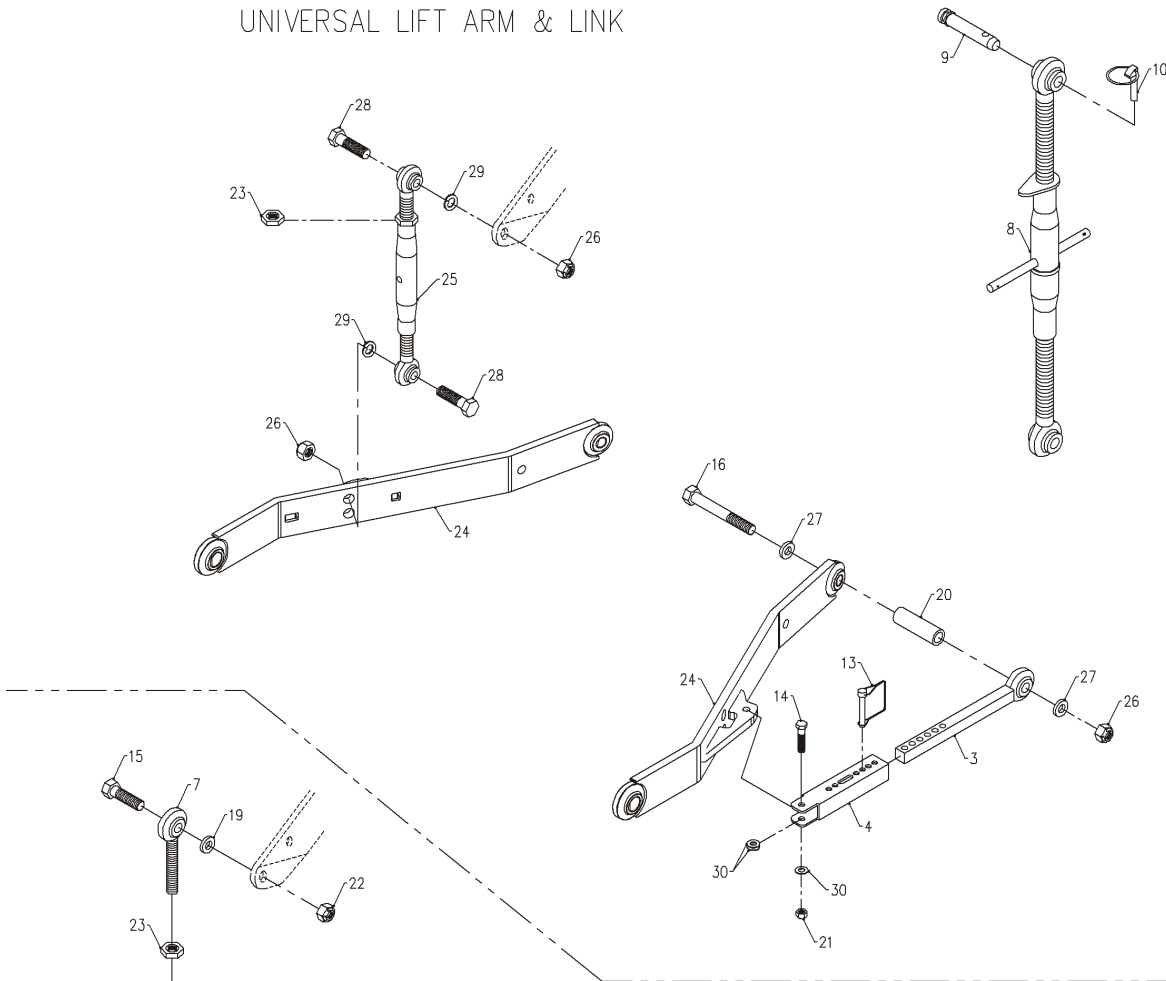
## 3 POINT HITCH FRAME

REF.	PART NO.	DESCRIPTION	QTY.
1	99.SF0608	BOLT, SF 3/8-16 USS X 1	2
2	90.0610	BOLT, 3/8-16 USS X 1 1/4	2
3	94.06	WASHER, FLAT 3/8 USS	8
4	99.SF06	NUT, SF 3/8-16 USS	14
5	29.GF0001	GREASE FTG, 1/4 SAE ST	2
6	03.1024	CLEVIS PIN, 5/8 X 3 OAL	1
7	02.HP0420	HAIRPIN, 1/8 X 2 1/2	1
8	62.0968	TUBE, RECEIVER HITCH	1
9	99.SF0606	BOLT, SF 3/8-16 USS X 3/4	10
10	60.0955	PLATE, REAR AXLE CVR/SKD W/3PT	1
11	64.0761	PIN, WEIGHT SECURE 8" USABLE (Round Pin)	1
11	64.1312	PIN, WEIGHT RETAINER 3 PT (Rectangle Pin)	1
12	02.HP0416	HAIRPIN, 1/8 X 2	1
13	62.1068	FRAME, 3-POINT HITCH	1
14	99.SF08	NUT, SF 1/2-13 USS	4
15	95.08	WASHER, FLAT 1/2 SAE	8
16	90.0808	BOLT, 1/2-13 USS X 1	4
17	62.1070	BRACKET, REAR HITCH MNT RIGHT	1
18	62.1071	BRACKET, REAR HITCH MOUNT LEFT	1
19	96.08	WASHER, LOCK 1/2	4
20	90.0810	BOLT, 1/2-13 USS X 1 1/4	4
21	64.1246	BRACKET, HITCH FRAME ANCHOR UP	1
22	47.0115	WEIGHT, SUITCASE- 42 LBS	3
23	06.0057-1IN	TRIM, EDGE GUARD 5/16" BLACK X 1"	2

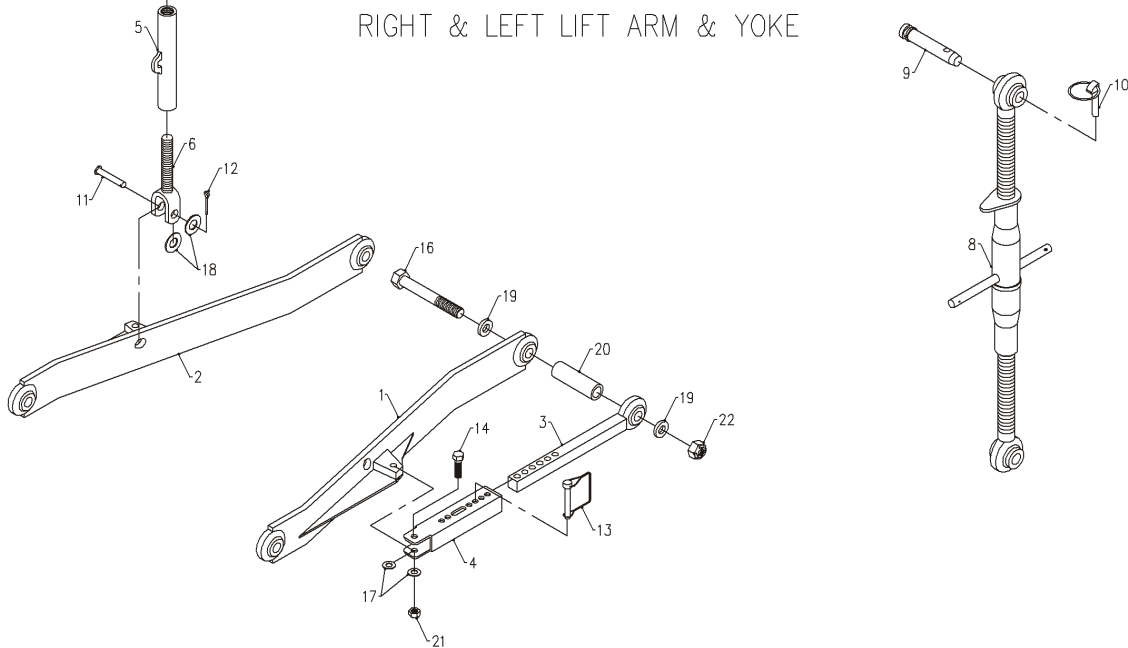
# OPTIONS

## ILLUSTRATED DRAWING 3 POINT HITCH ARMS

### UNIVERSAL LIFT ARM & LINK



### RIGHT & LEFT LIFT ARM & YOKE





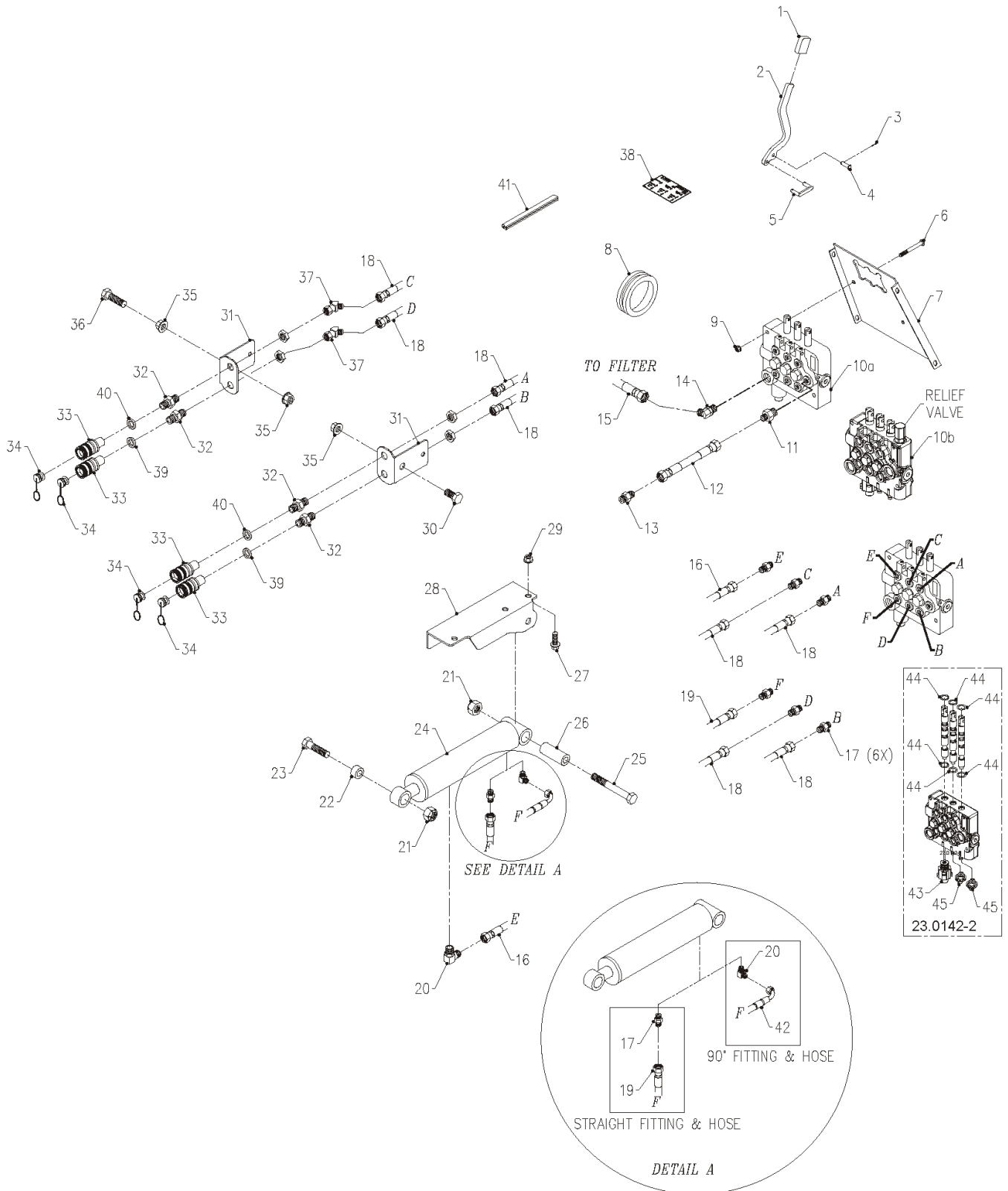
# OPTIONS

## 3 POINT HITCH ARMS

REF.	PART NO.	DESCRIPTION	QTY.
1	62.0792	LIFT ARM, 3-POINT HITCH RIGHT	1
2	62.0793	LIFT ARM, 3-POINT HITCH LEFT	1
3	42.0403	LINK, SWAYBAR 3-POINT MALE	2
4	42.0402	LINK, SWAYBAR 3-POINT FEMALE	2
5	42.0529	LINK, ADJUSTING-CENTER 6-3/4"	2
6	42.0410	LINK, ADJ. YOKE END FOR 42.408	2
7	42.0409	LINK, ADJ. SWVL END FOR 42.408	2
8	42.0406	TOP LINK, CAT #1 ADJ.	1
9	03.0004	PIN, TOP LINK CATEGORY 1	1
10	03.0005	PIN, LYNCH	1
11	03.1014	CLEVIS PIN, 5/8 X 1 3/4	2
12	02.CP0508	COTTER PIN, 5/32 X 1	2
13	03.0001	PIN, SAFETY SNAP 3/8 X 1-3/4	2
14	90.0614	BOLT, 3/8-16 USS X 1 3/4	2
15	90.1018	BOLT, 5/8-11 USS X 2 1/4	2
16	90.1052	BOLT, 5/8-11 USS X 6 1/2	2
17	94.06	WASHER, FLAT 3/8 USS	4
18	95.10	WASHER, FLAT 5/8 SAE	4
19	99.B0061	WASHER, 3/16 X 21/32 X 1 1/32	6
20	64.1247	BUSHING, 3-PT HITCH	2
21	99.A06	LOCKNUT, STOVER 3/8-16 USS	2
22	99.A10	LOCKNUT, STOVER 5/8-11 USS	4
23	99.E0087	NUT, JAM 3/4-10 USS	2
24	40.0365	ARM, UNIVERSAL LIFT	2
25	47.0222	TOP LINK, CAT.#0, ADJUSTABLE	2
26	99.A10	LOCKNUT, STOVER 5/8-11 USS	6
27	99.B0061	WASHER, 3/16 X 21/32 X 1 1/32	4
28	90.1018	BOLT, 5/8-11 USS X 2 1/4	4
29	96.10	WASHER, LOCK 5/8	4
30	94.06	WASHER, FLAT 3/8 USS	6

# OPTIONS

## ILLUSTRATED DRAWING 3 POINT HITCH HYDRAULICS



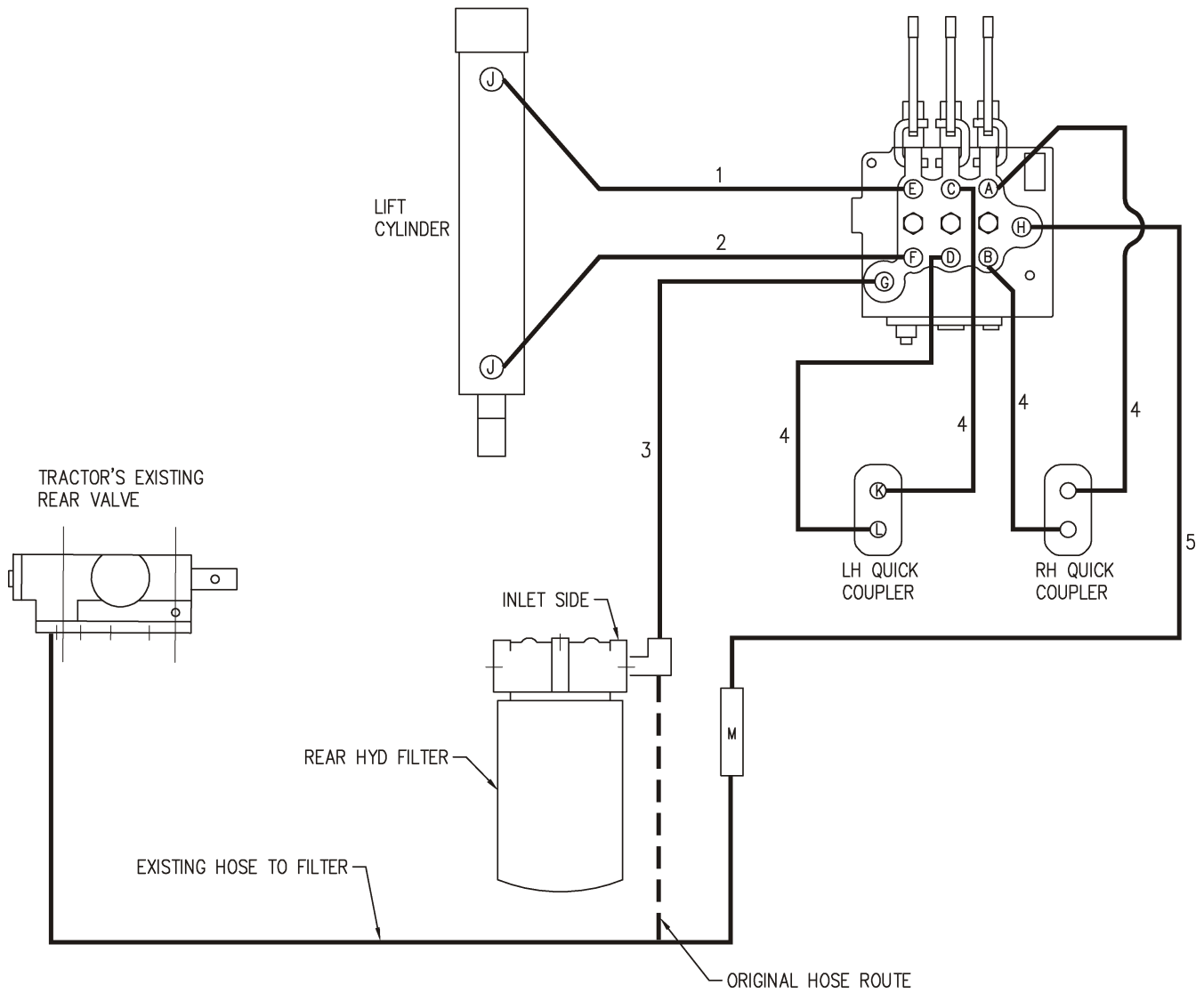
# OPTIONS

## 3 POINT HITCH HYDRAULICS

REF.	PART NO.	DESCRIPTION	QTY.
1	06.0058	CAP, PLASTIC 1/4 X 5/8 X 1-1/2	3
2	40.0336	LEVER, KT 3PT HYD HANDLE	3
3	02.CP0204	COTTER PIN, 1/16 X 1/2	9
4	03.0406	CLEVIS PIN, 1/4 X 3/4	3
5	23.0111-6	LINK, VALVE HANDLE "C" (2 spool valve)	2
5	23.0142-6	LINK, VALVE HANDLE "C" (3 spool valve)	3
6	99.K0064	BOLT, BUTTON HEAD 1/4 X 2	2
7	60.0960	PANEL, FRONT SIDE TOOLBOX 3-PT	1
8	05.0056	GROMMET, 2-1/8ID,2-7/8OD,7/16T	1
9	99.SF04	NUT, SF 1/4-20 USS	2
10a	23.0142-2	VALVE, 3 SPOOL W/RH FLOAT (without relief valve)	1
10b	23.0142-4	VALVE, 3 SPOOL W/RH FLOAT (with relief valve)	1
11	25.6400-06-08	FITTING, M CONN 3/8 X 1/2	1
12	20.0144	HOSE, ASM 3/8X24CPE SAE100R1AT	1
13	25.2403-06-06	FITTING, UNION 3/8 X 3/8	1
14	25.6802-06-08	FITTING, 45 ME 3/8 X 1/2	1
15	20.0145	HOSE, ASM 3/8X16CPE SAE100R1AT	1
16	20.0293	HOSE, 1/4x25.00 SAE 100R17AR	1
17	25.6400-06-06	FITTING, M CONN 3/8 X 3/8	7
18	20.0194	HOSE, ASM X 32" 1/4-3000	4
19	20.0113	HOSE, ASM X 38" 1/4-1W	1
20	25.6801-06-06	FITTING, 90 ME 3/8 X 3/8	2
21	99.A08	LOCKNUT, STOVER 1/2-13 USS	2
22	64.0749	BUSHING, 33/64 X 1 X 1-1/16	1
23	90.0816	BOLT, 1/2-13 USS X 2	1
24	23.0128	CYLINDER, 2" X 8" LIFT	1
25	90.0832	BOLT, 1/2-13 USS X 4	1
26	64.0675	BUSHING, SWIVEL FRAME SPACER	1
27	99.SF0606	BOLT, SF 3/8-16 USS X 3/4	3
28	60.0957	MOUNT, REAR CYLINDER KT	1
29	99.SF06	NUT, SF 3/8-16 USS	3
30	90.0808	BOLT, 1/2-13 USS X 1	1
31	64.1162	BRACKET, HYD QUICK COUPLER	2
32	25.2706-04-06LN	FITTING, BULKHEAD W/LOCKNUT	4
33	23.0106	COUPLER, HYD. QUICK FEMALE 1/4	4
34	23.0126	PLUG, NYLON FOR 23.0106	4
35	99.SF08	NUT, SF 1/2-13 USS	3
36	90.0814	BOLT, 1/2-13 USS X 1 3/4	1
37	25.6502-06-06	FITTING, 45 MFE 3/8 X 3/8	2
38	00.0231	DECAL, AUX HYD AND 3-PT	1
39	05.0116	WASHER, .544ID x .817 x.14 RED.	2
40	05.0117	WASHER, .544ID x .817 x.14 YEL	2
41	06.0042-3.5IN	TRIM, TRIM LOC 1/2 X 1/16 X 3-1/2"	1
42	20.0259	HOSE, 1/4 X 20.00 SAE 100R17AR	1
43	23.0111-7	KIT, SPOOL FLOAT HYD. VALVE	1
44	26.0027	O-RING, 5/8ID X 13/16OD X 3/32	6
45	23.0111-8	CAP, VALVE	2

# OPTIONS

## ILLUSTRATED DRAWING 3 POINT HITCH HYDRAULIC DIAGRAM



# OPTIONS

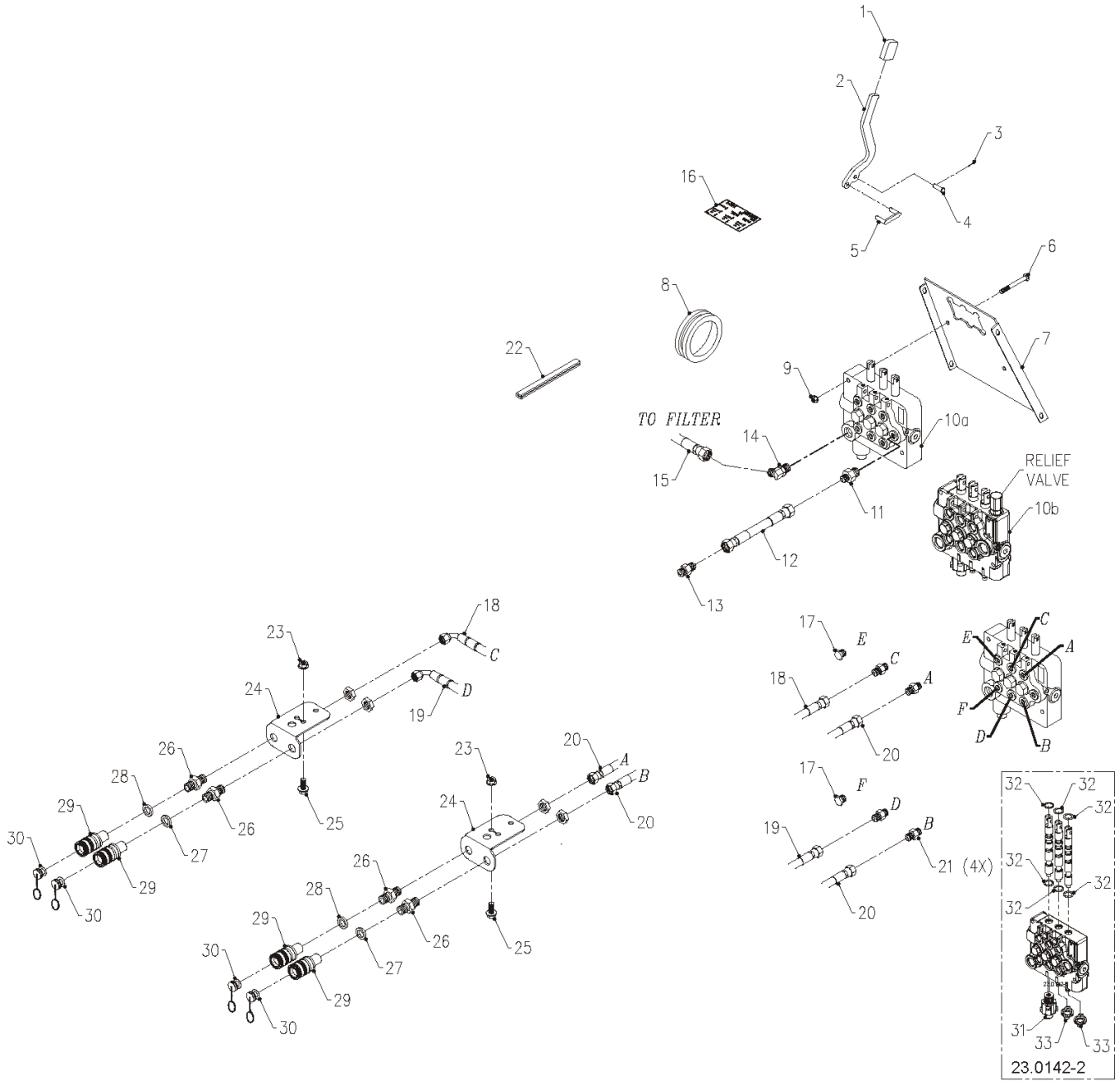
---

## 3 POINT HITCH HYDRAULIC DIAGRAM

REF.	PART NO.	DESCRIPTION	QTY.
1	20.0259	HOSE, 1/4 X 20.00 SAE 100R17AR	1
2	20.0293	HOSE, 1/4x25.00 SAE 100R17AR	1
3	20.0145	HOSE,3/8x16.00 SAE 100R1AT CPE	1
4	20.0194	HOSE, 1/4x32.00 SAE 100R17 AR	4
5	20.0144	HOSE,3/8x24.00 SAE 100R1AT CPE	1

# OPTIONS

## ILLUSTRATED DRAWING 70.4088 REAR HYDRAULIC VALVE KIT



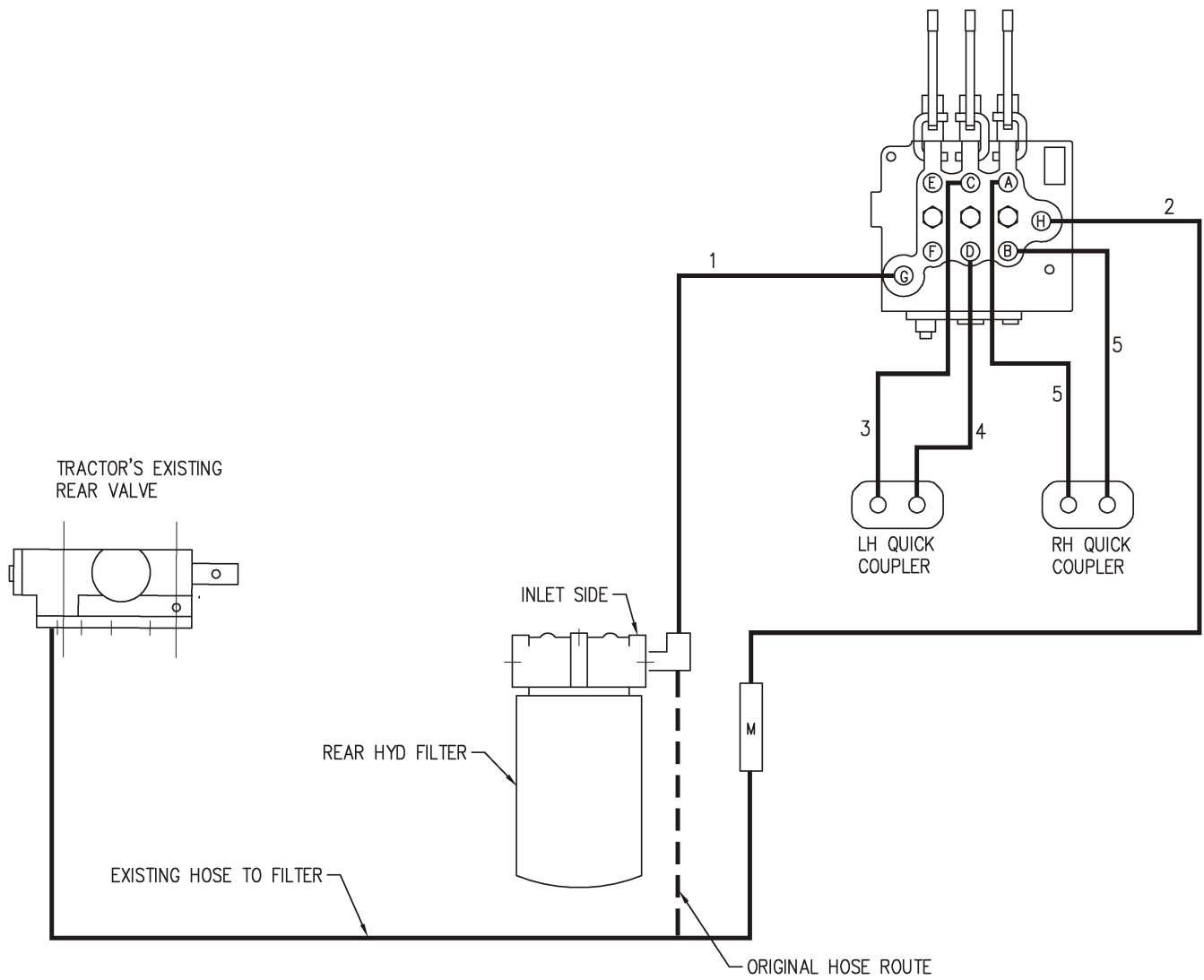
# OPTIONS

## 70.4088 REAR HYDRAULIC VALVE KIT

REF.	PART NO.	DESCRIPTION	QTY.
1	06.0058	CAP, PLASTIC 1/4 X 5/8 X 1-1/2	2
2	40.0336	LEVER, KT 3PT HYD HANDLE	2
3	02.CP0204	COTTER PIN, 1/16 X 1/2	6
4	03.0406	CLEVIS PIN, 1/4 X 3/4	2
5	23.0142-6	LINK, VALVE HANDLE "C" (3 spool valve)	2
6	99.K0064	BOLT, BUTTON HEAD 1/4 X 2	2
7	60.0960	PANEL, FRONT SIDE TOOLBOX 3-PT	1
8	05.0056	GROMMET, 2-1/8ID,2-7/8OD,7/16T	1
9	99.SF04	NUT, SF 1/4-20 USS	2
10a	23.0142-2	VALVE, 3 SPOOL W/RH FLOAT (without relief valve)	1
10b	23.0142-4	VALVE, 3 SPOOL W/RH FLOAT (with relief valve)	1
11	25.6400-06-08	FITTING, M CONN 3/8 X 1/2	1
12	20.0144	HOSE, ASM 3/8X24CPE SAE100R1AT	1
13	25.2403-06-06	FITTING, UNION 3/8 X 3/8	1
14	25.6802-06-08	FITTING, 45 ME 3/8 X 1/2	1
15	20.0145	HOSE, ASM 3/8X16CPE SAE100R1AT	1
16	00.0231	DECAL, AUX HYD AND 3-PT	1
17	25.6408-06	FITTING, PLUG 6MB	2
18	20.0278	HOSE, ASM 1/4 x35 SAE 100R17AR	1
19	20.0246	HOSE, ASM C 1/4 X 31" - 2750	1
20	20.0194	HOSE, ASM X 32" 1/4-3000	2
21	25.6400-06-06	FITTING, M CONN 3/8 X 3/8	4
22	06.0042-3.5IN	TRIM, TRIM LOC 1/2 X 1/16 X 3-1/2"	1
23	99.SF05	NUT, SF 5/16-18 USS	2
24	64.1162	BRACKET, HYD QUICK COUPLER	2
25	99.SF0506	BOLT, SF 5/16-18 USS X 3/4	2
26	25.2706-04-06LN	FITTING, BULKHEAD W/LOCKNUT	4
27	05.0116	WASHER, .544ID x .817 x.14 RED	2
28	05.0117	WASHER, .544ID x .817 x.14 YEL	2
29	23.0106	COUPLER, HYD. QUICK FEMALE 1/4	4
30	23.0126	PLUG, NYLON FOR 23.0106	4
31	23.0111-7	KIT, SPOOL FLOAT HYD. VALVE	1
32	26.0027	O-RING, 5/8ID X 13/16OD X 3/32	6
33	23.0111-8	CAP, VALVE	2

# OPTIONS

## ILLUSTRATED DRAWING 70.4088 REAR VALVE HYDRAULIC DIAGRAM





# OPTIONS

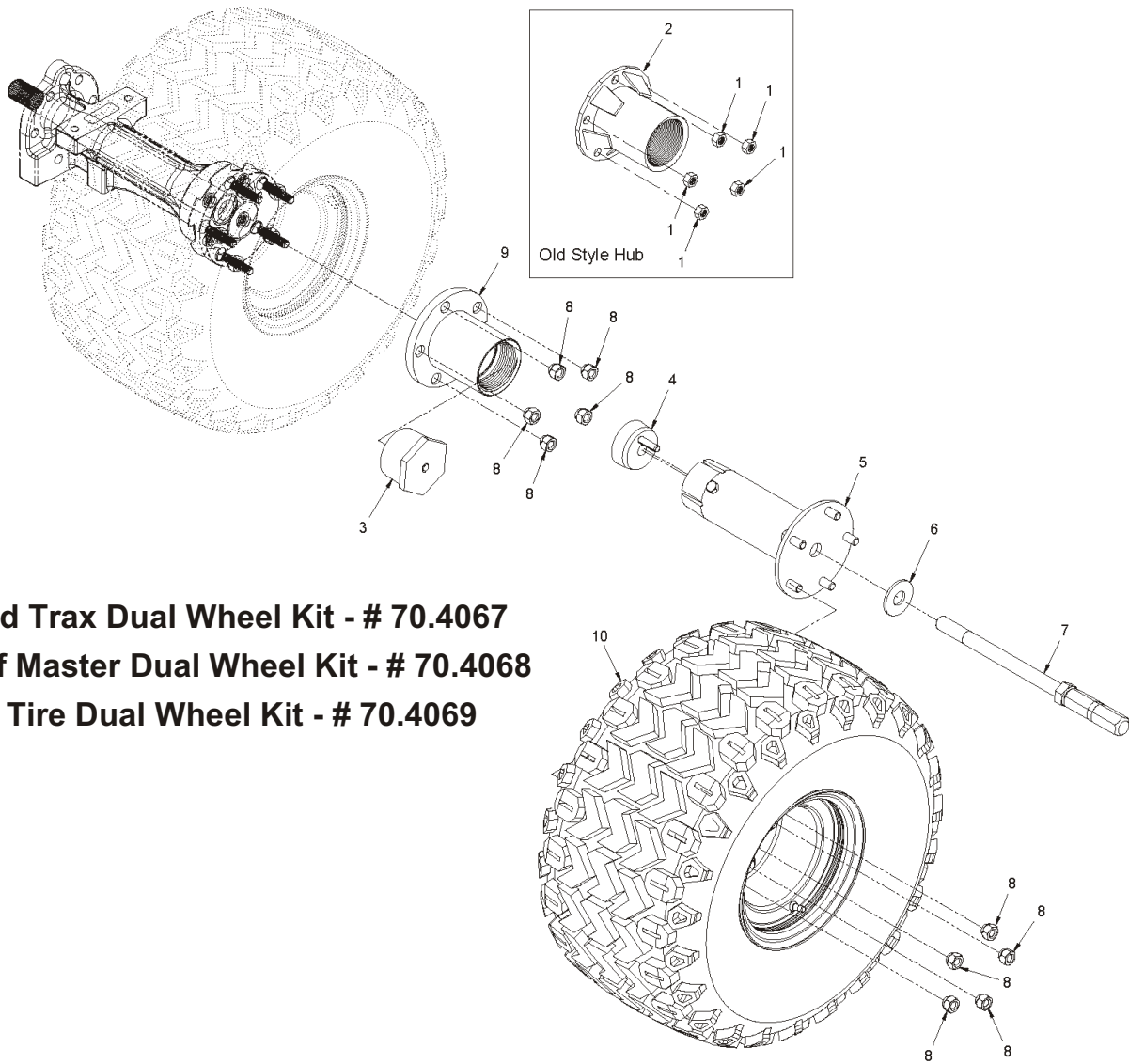
---

## 70.4088 REAR VALVE HYDRAULIC DIAGRAM

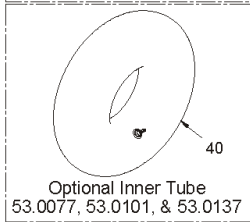
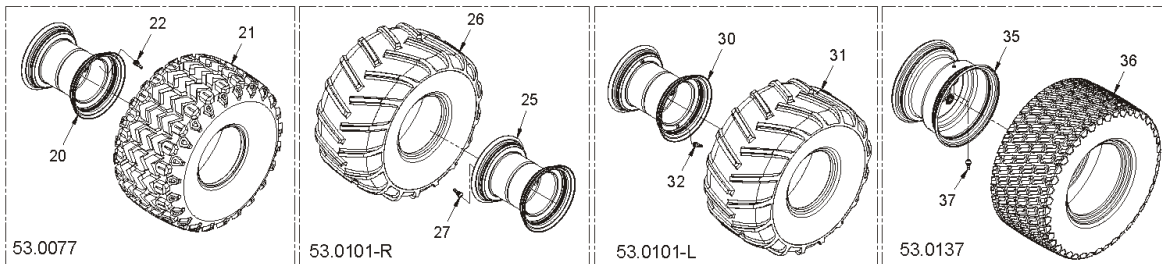
REF.	PART NO.	DESCRIPTION	QTY.
1	20.0145	HOSE,3/8x16.00 SAE 100R1AT CPE	1
2	20.0144	HOSE,3/8x24.00 SAE 100R1AT CPE	1
3	20.0278	HOSE, 1/4x35.00 SAE 100R17AR	1
4	20.0246	HOSE, 1/4x31.00 SAE 100R17 AR	1
5	20.0194	HOSE, 1/4x32.00 SAE 100R17 AR	2

# OPTIONS

## ILLUSTRATED DRAWING DUAL WHEELS



- Field Trax Dual Wheel Kit - # 70.4067
- Turf Master Dual Wheel Kit - # 70.4068
- Bar Tire Dual Wheel Kit - # 70.4069



# OPTIONS

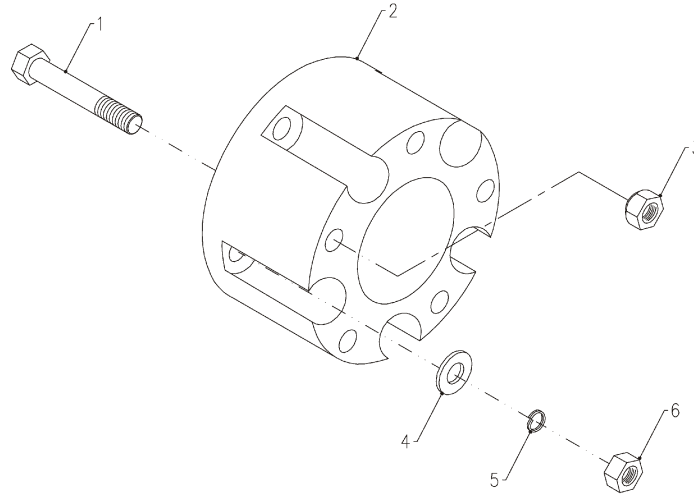
## DUAL WHEELS

REF.	PART NO.	DESCRIPTION	QTY.
1	93.07	NUT, 7/16-20 SAE.	20
2	50.0062	HUB, DUAL WHEEL KT	4
3	05.0093	PLUG, 2-1/2 NPT M, WHT PLASTIC.	4
4	50.0063	CONE, 3/4"DRAWCONE DUALS	4
5	50.0061	EXTENSION, DUAL WHEEL KT	4
6	94.12	WASHER, FLAT 3/4 USS	4
7	64.0672	BOLT, 3/4" DRAWBOLT DUALS	4
8	99.E0044	NUT, LUG 7/16-20 SAE.	40
9	50.0190	HUB, DUAL WHEEL	4
10.	53.0077	WHEEL, ASM 22 X 12 X 8 X 5B	4
10.	53.0101-L	WHEEL, ASM 21 X 11 X8 X 5B BAR.	2
10.	53.0101-R	WHEEL, ASM 21 X 11 X8 X 5B BAR.	2
10.	53.0137	WHEEL, ASM 22x11x10x5B TURF	4
20.	53.0090	RIM, 8 X 8.5, 5 ON 4.5 BC	1
21.	53.0089	TIRE, FIELD 22 X 12 X 8-NO RIM	1
22.	53.0139	VALVE STEM.	1
25.	53.0090	RIM, 8 X 8.5, 5 ON 4.5 BC	1
26.	53.0114	TIRE, BAR 21X11X8 NO RIM	1
27.	53.0139	VALVE STEM.	1
30.	53.0090	RIM, 8 X 8.5, 5 ON 4.5 BC	1
31.	53.0114	TIRE, BAR 21X11X8 NO RIM	1
32.	53.0139	VALVE STEM.	1
35.	53.0138	RIM, 10 X 7 - 5 ON 4.5 BC	1
36.	53.0112	TIRE, TURFMASTR 22X11X10 NO RIM	1
37.	53.0139	VALVE STEM.	1
40.	53.0142	TUBE, INNER 22 X 12 X 8	1

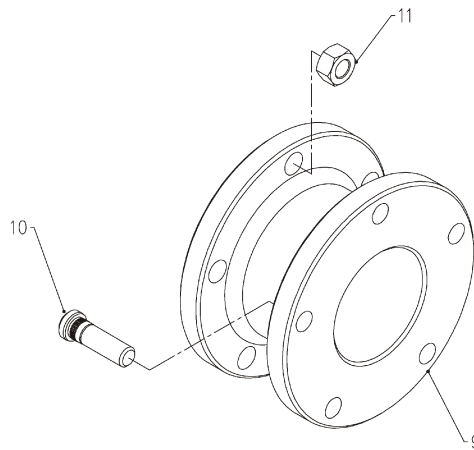
# OPTIONS

## ILLUSTRATED DRAWING FOOT PEDAL & WHEEL EXTENSIONS

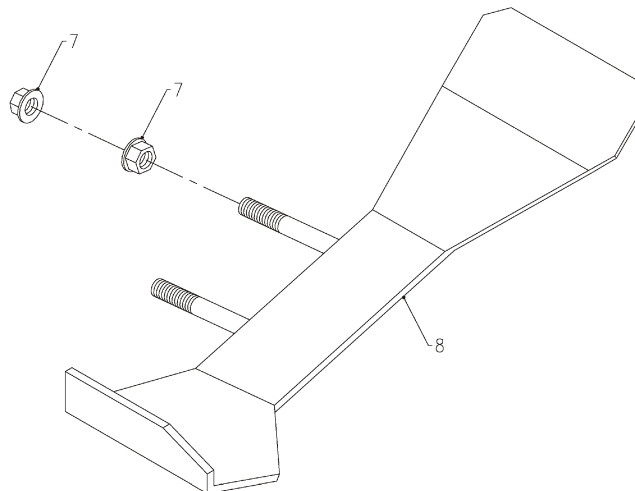
70.0103 WHEEL EXTENSION KIT



70.4098 WHEEL EXTENSION KIT



39.56108 FOOT PEDAL



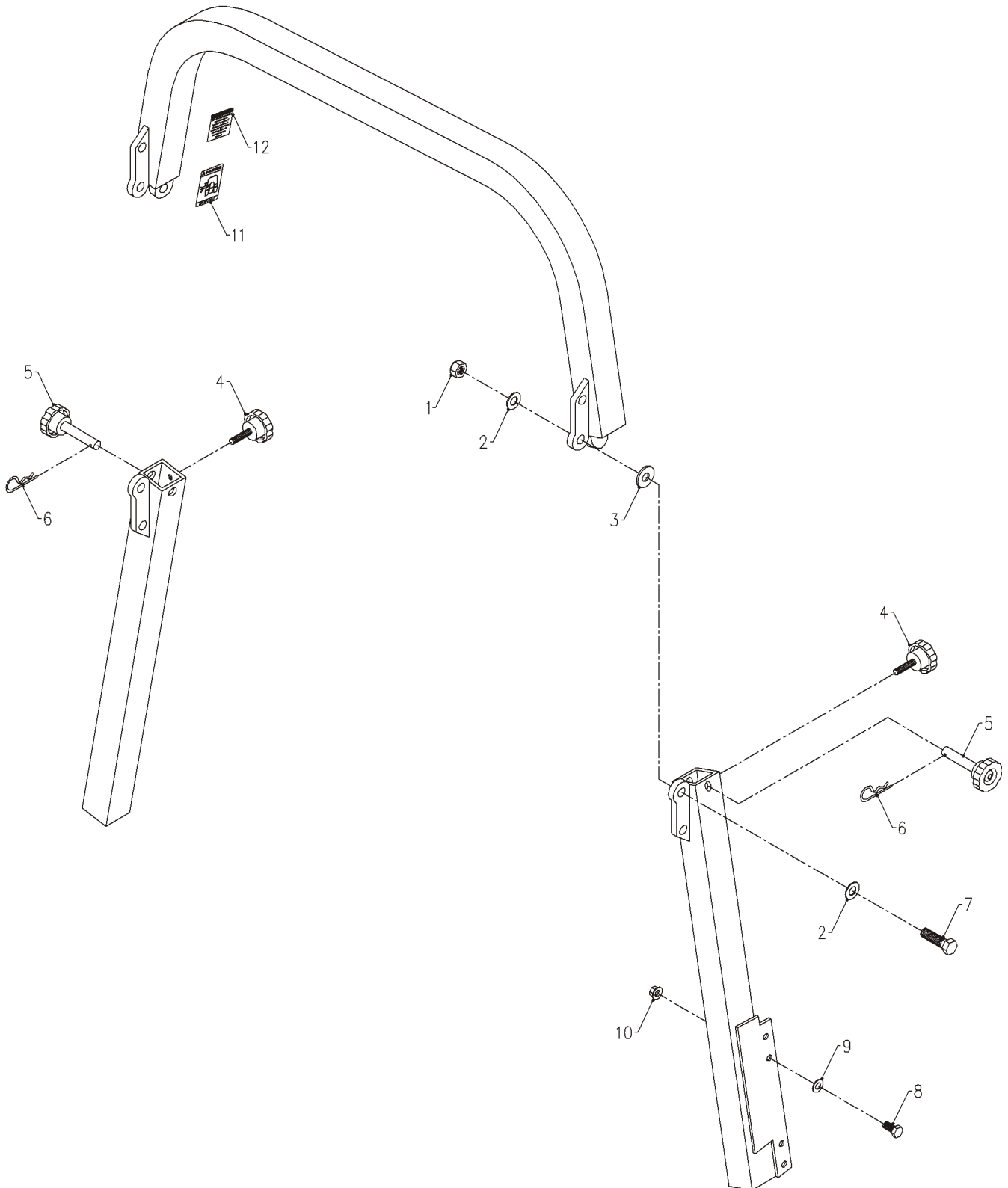
# OPTIONS

## FOOT PEDAL & WHEEL EXTENSIONS

REF.	PART NO.	DESCRIPTION	QTY.
1	91.0728	BOLT, 7/16-20 SAE X 3-1/2	20
2	53.0104	HUB, WHEEL EXTENSIONS- 3"	4
3	99.E0044	NUT, LUG 7/16-20 SAE	20
4	95.07	WASHER, FLAT 7/16 SAE	20
5	96.07	WASHER, LOCK 7/16	20
6	93.07	NUT, 7/16-20 SAE	20
7	99.SF06	NUT, SF 3/8-16 USS	4
8	62.0794	PEDAL, FOOT - OPTIONAL	1
9	53.0144	HUB, 3" WHEEL EXTENSION	4
10	99.K0120	BOLT, 7/16-20 X 1-1/2 WHL STUD	20
11	93.07	NUT, 7/16-20 SAE	20

# OPTIONS

## ILLUSTRATED DRAWING 70.2004 FOLD DOWN ROLL BAR



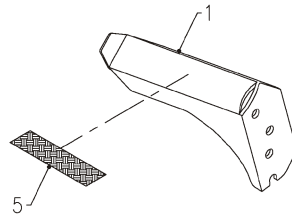
# OPTIONS

## 70.2004 FOLD DOWN ROLL BAR

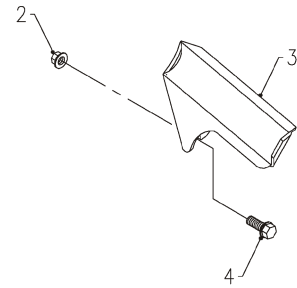
REF.	PART NO.	DESCRIPTION	QTY.
1	99.A08	LOCKNUT, STOVER 1/2-13 USS	2
2	95.08	WASHER, FLAT 1/2 SAE.	4
3	05.0105	WASHER, UHMW	2
4	47.0248	PIN, ASSEMBLY	2
5	47.0247	PIN, PULL	2
6	02.HP0420	HAIRPIN, 1/8 X 2 1/2.	2
7	90.0814	BOLT, 1/2-13 USS X 1 3/4	2
8	90.0606	BOLT, 3/8-16 USS X 3/4	8
9	95.06	WASHER, FLAT 3/8 SAE.	8
10	99.E0082	NUT, LOCKING FLANGE 3/8 - 16	8
11	00.0229	DECAL, WARNING - SEAT BELT	1
12	00.0228	DECAL, WARNING - ALTERATION	1

# OPTIONS

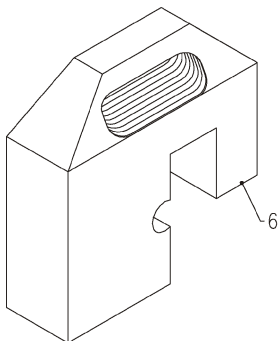
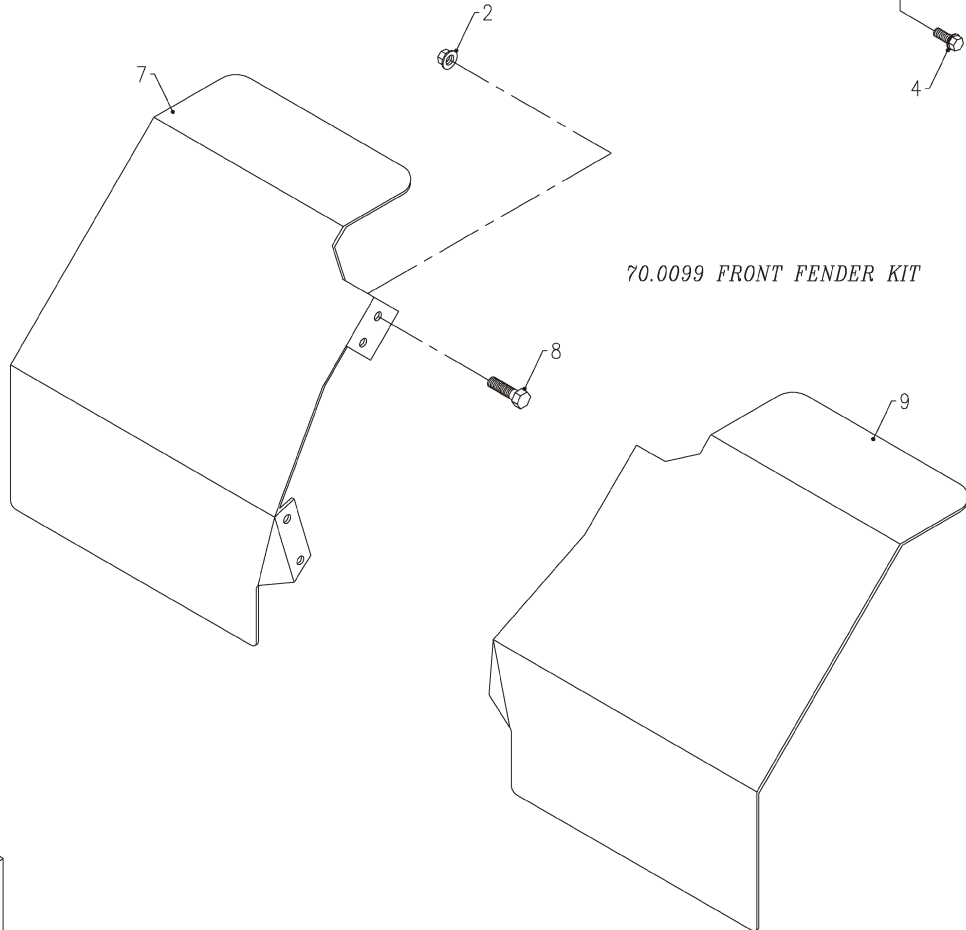
## ILLUSTRATED DRAWING FENDERS, WEIGHTS, & FOOT PEGS



70.0100 FOOT REST KIT



70.0099 FRONT FENDER KIT





# OPTIONS

## FENDERS, WEIGHTS, & FOOT PEGS

REF.	PART NO.	DESCRIPTION	QTY.
1	64.1186	FOOT PEG, LEFT	1
2	99.SF05	NUT, SF 5/16-18 USS.	12
3	64.1185	FOOT PEG, RIGHT.	1
4	99.SF0506	BOLT, SF 5/16-18 USS X 3/4	4
5	44.0221	FLEX TREAD, FOOT PEG.	2
6	47.0115	WEIGHT, SUITCASE- 42 LBS	4
7	60.0892	FENDER, FRONT LEFT 12" BOTTOM.	1
8	90.0506	BOLT, 5/16-18 USS X 3/4	8
9	60.0891	FENDER, FRONT RIGHT 12" BOTTOM.	1



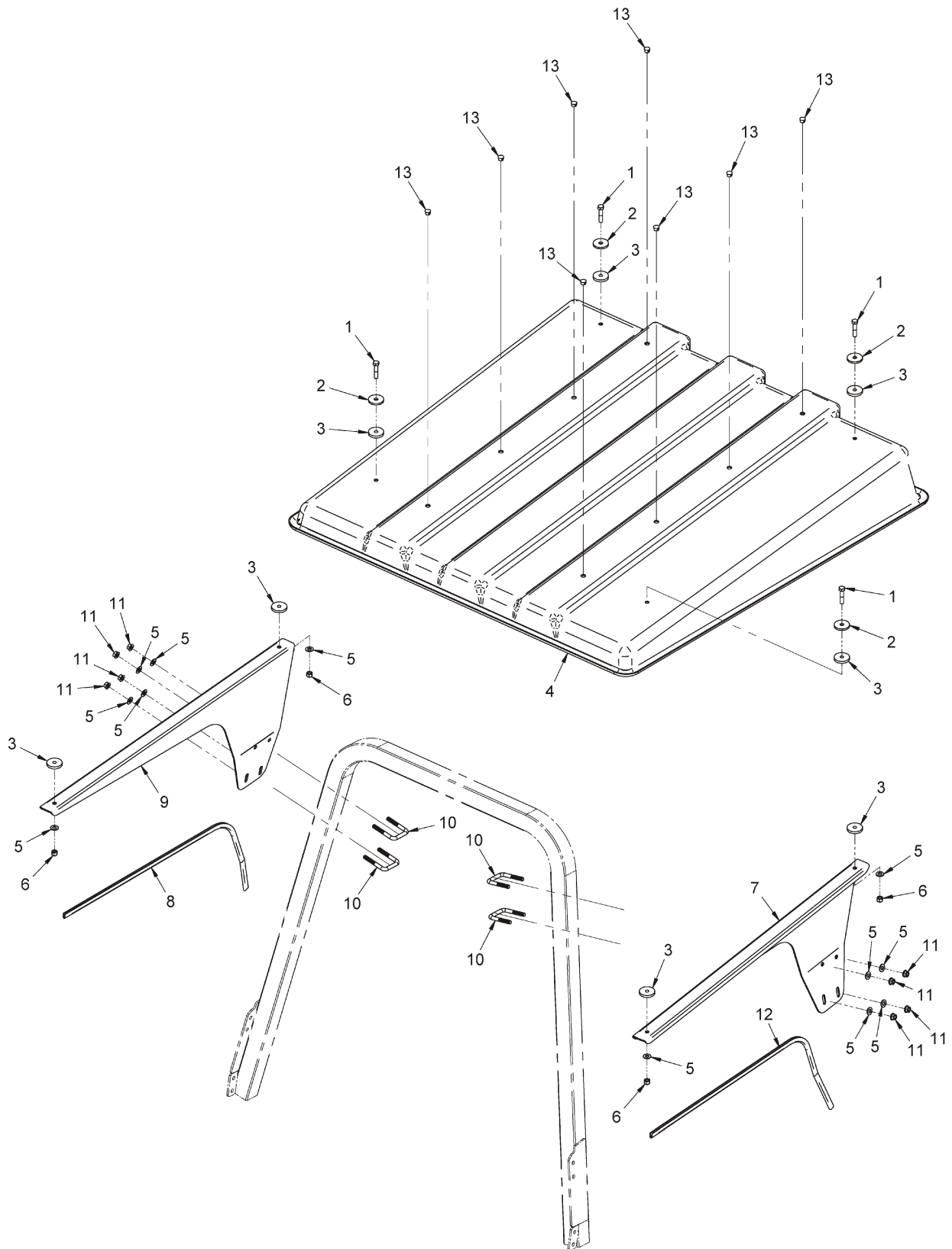
# OPTIONS

## 70.0104 WEIGHT TRANSFER KIT

REF.	PART NO.	DESCRIPTION	QTY.
1 . . . . .	90.0514 . . . . .	BOLT, 5/16-18 USS X 1-3/4 . . . . .	2
2 . . . . .	42.0440 . . . . .	LINK, WEIGHT TRANSFER KT . . . . .	4
3 . . . . .	99.E0037 . . . . .	NUT, JAM 3/8-16 USS . . . . .	4
4 . . . . .	81.0139 . . . . .	CHAIN, 3/16 X 10 LINKS-9-3/4" . . . . .	2
5 . . . . .	04.0021 . . . . .	RING, SPLIT 1.640 OD .168W ZP . . . . .	2
6 . . . . .	42.0436 . . . . .	RODS, INTERNAL WEIGHT TRANSFER . . . . .	2
<hr/>			
7 . . . . .	99.A05 . . . . .	LOCKNUT, STOVER 5/16-18 USS. . . . .	4
8 . . . . .	41.0068 . . . . .	SPRING, EXT 2-1/4 OD X 14-1/2" . . . . .	2
9 . . . . .	42.0435 . . . . .	PIPES, WEIGHT TRANSFER KT . . . . .	2
10 . . . . .	99.A06 . . . . .	LOCKNUT, STOVER 3/8-16 USS . . . . .	4
11 . . . . .	90.0618 . . . . .	BOLT, 3/8-16 USS X 2 1/4 . . . . .	2
12 . . . . .	95.06 . . . . .	WASHER, FLAT 3/8 SAE. . . . .	4
<hr/>			
13 . . . . .	99.SF0608 . . . . .	BOLT, SF 3/8-16 USS X 1 . . . . .	2
14 . . . . .	90.0506 . . . . .	BOLT, 5/16-18 USS X 3/4 . . . . .	2

# OPTIONS

## ILLUSTRATED DRAWING 70.0098 CANOPY KIT



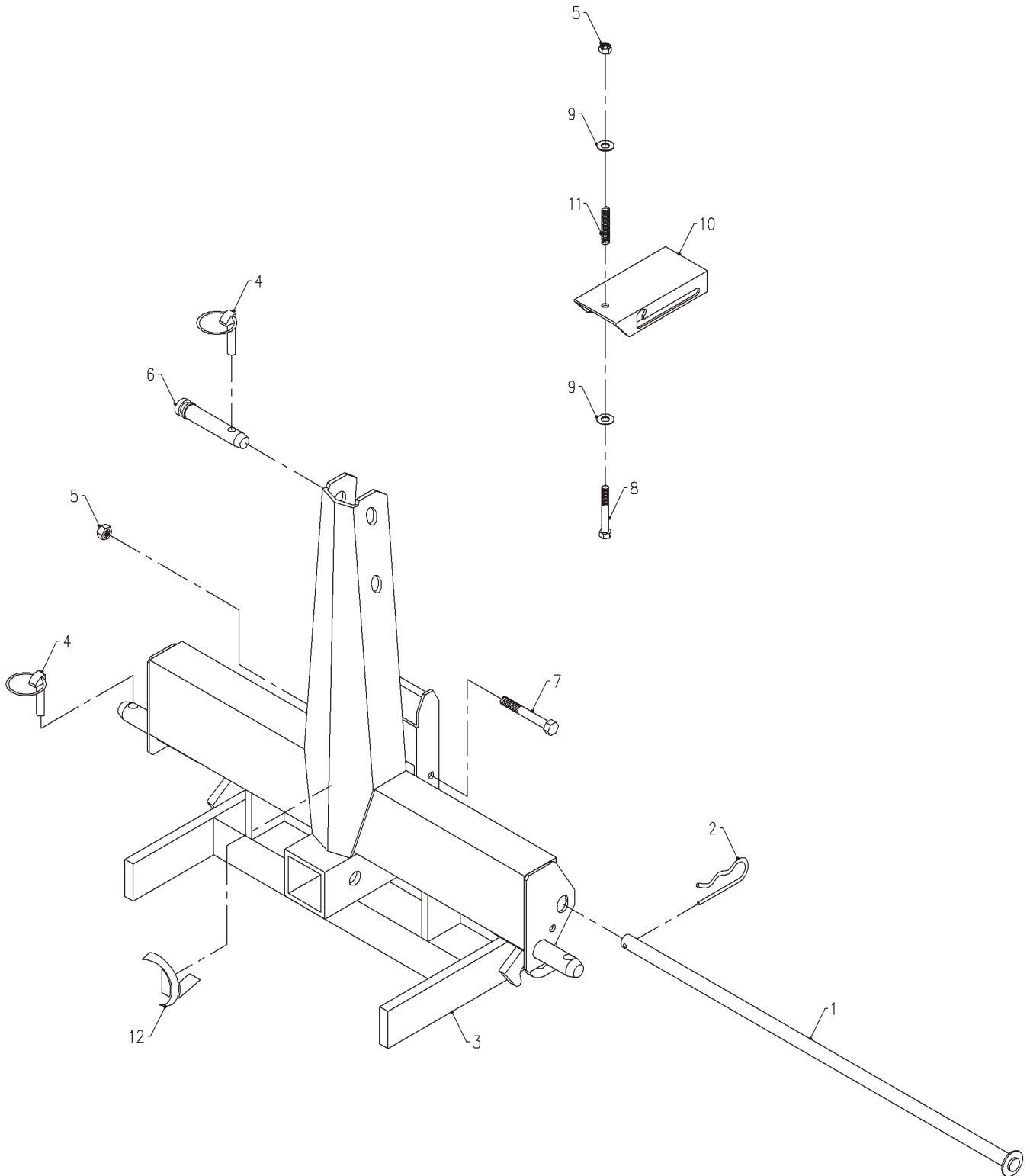
# OPTIONS

## 70.0098 CANOPY KIT

REF.	PART NO.	DESCRIPTION	QTY.
1	90.0614	Bolt, Hex 3/8-16 UNC x 1-3/4	4
2	99.B0076	Washer, .185 X 13/32 ID X 1-5/8	4
3	05.0085	Washer, Neoprene	8
4	47.0186	Canopy, Shell Only, White	1
5	95.06	Washer, Flat 3/8 SAE	12
6	99.A06N	Locknut, Nylon 3/8-16 USS	4
7	62.0915	Frame, Canopy Left Side	1
8	06.0050-41IN	Trim, Trim Loc 1/2 x 3/16 x 41"	1
9	62.0914	Frame, Canopy Right Side	1
10	11.0053	U-Bolt, 3/8-16 2-1/16" ID SQ Bend	4
11	99.SF06	Nut, SF 3/8-16 USS	8
12	06.0050-41IN	Trim, Trim Loc 1/2 x 3/16 x 41"	1
13	05.0086	Plug, 1/2" Hole, Nylon-White	8

# OPTIONS

## ILLUSTRATED DRAWING 39.56114 3N1 HITCH



# OPTIONS

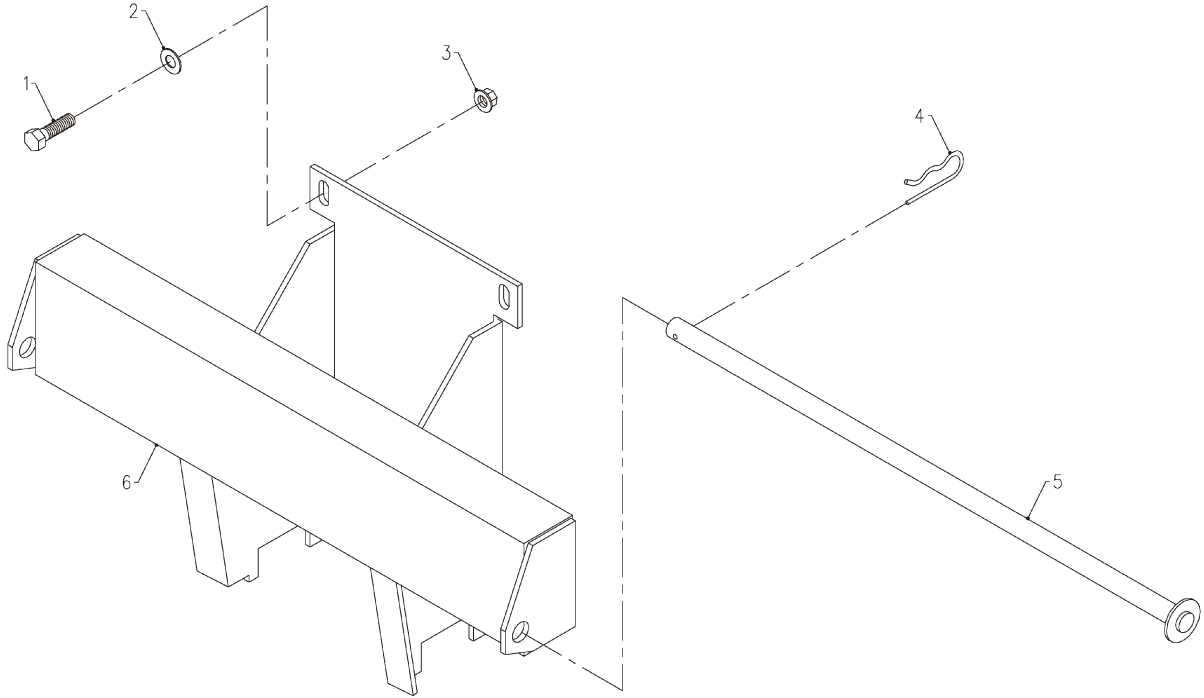
## 39.56114 3N1 HITCH

REF.	PART NO.	DESCRIPTION	QTY.
1	64.1017	PIN, WEIGHT SECURE 24-1/8 LONG	1
2	02.HP0420	HAIRPIN, 1/8 X 2 1/2	1
3	62.0925	HITCH, TOW 3PT MAIN WELDMENT	1
4	03.0005	PIN, LYNCH	3
5	99.A05	LOCKNUT, STOVER 5/16-18 USS	2
6	03.0004	PIN, TOP LINK CATEGORY 1	1
7	90.0526	BOLT, 5/16-18 USS X 3-1/4	1
8	90.0524	BOLT, 5/16-18 USS X 3	1
9	95.05	WASHER, FLAT 5/16 SAE	2
10	64.1101	LATCH, HANDLE 3N1 TOW HITCH	1
11	41.0021	SPRING, COMP 1/2 OD X 2-3/4 LG	1
12	00.0192	DECAL, V-DECAL DIE CUT BLUE	1

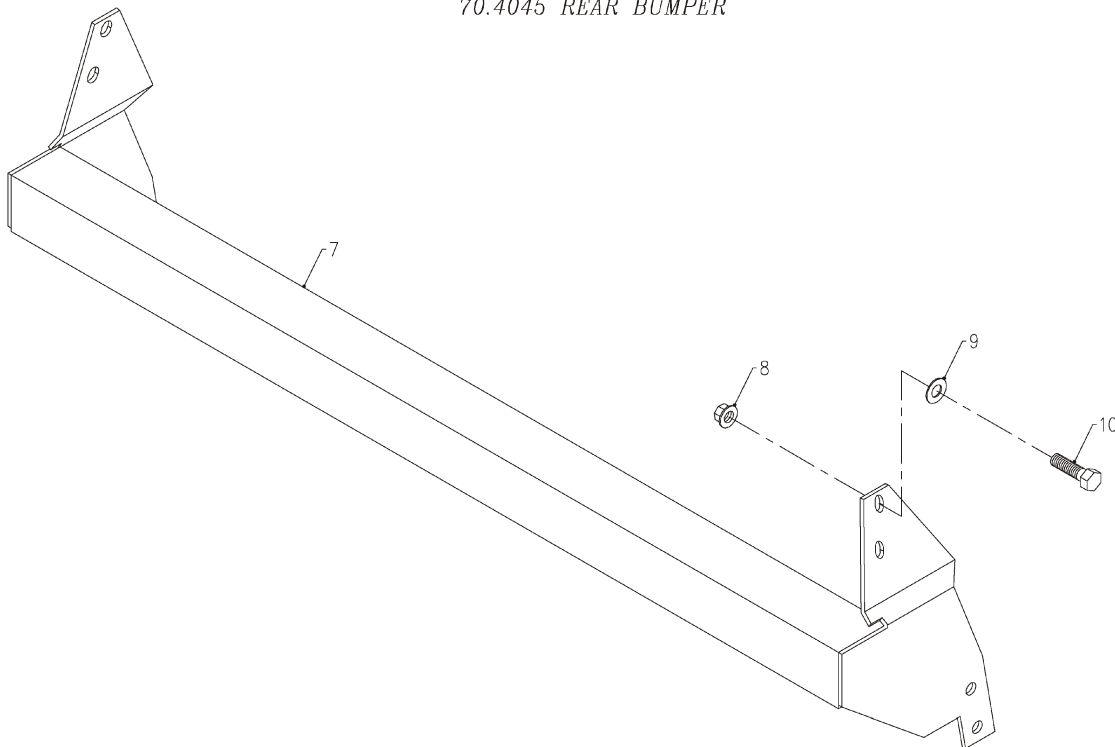
# OPTIONS

## ILLUSTRATED DRAWING REAR COUNTERWEIGHT BAR & REAR BUMPER

39.56116 REAR COUNTER WEIGHT BAR



70.4045 REAR BUMPER





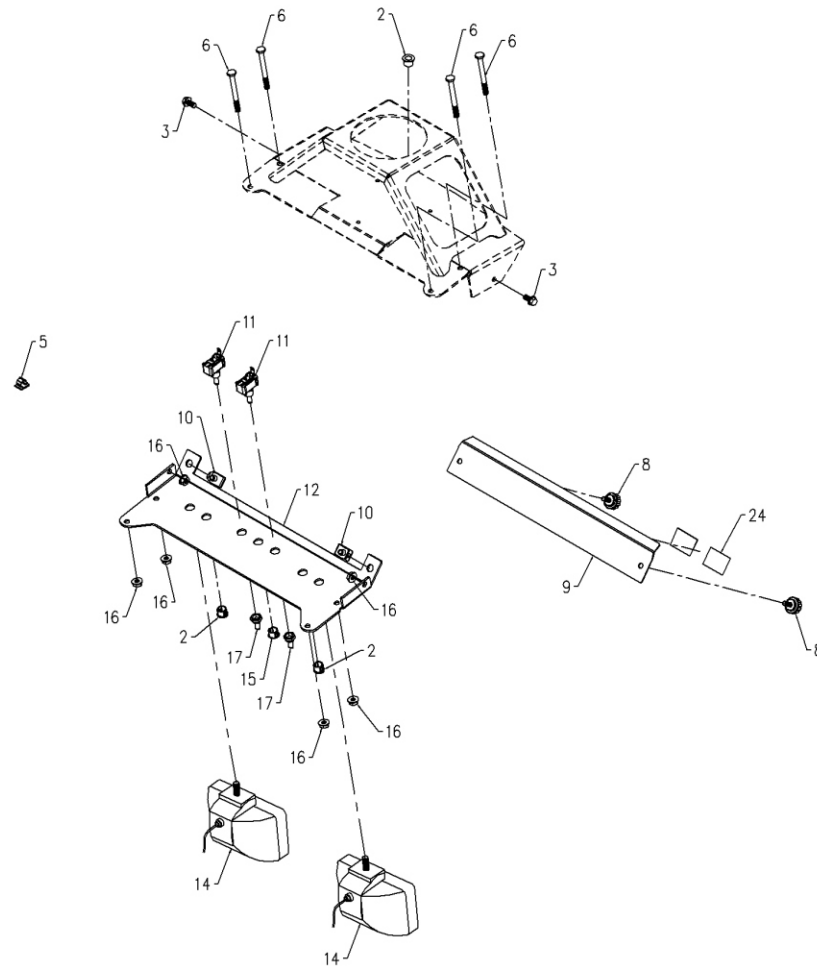
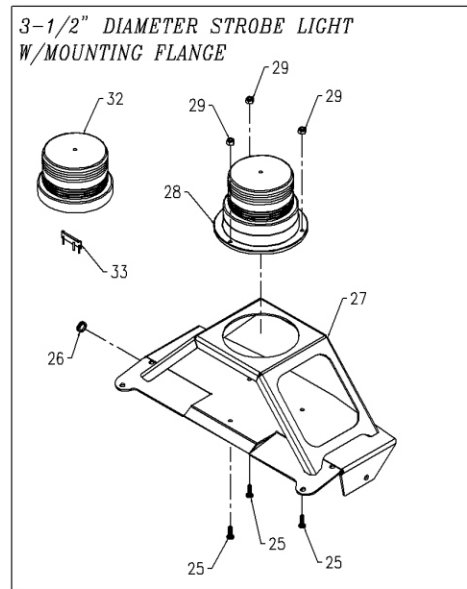
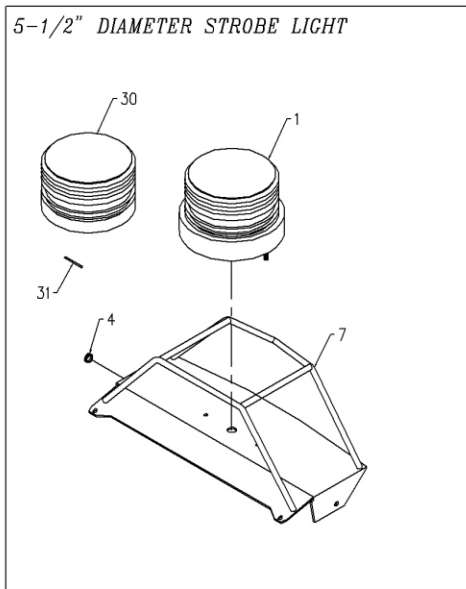
# OPTIONS

## REAR COUNTERWEIGHT BAR & REAR BUMPER

REF.	PART NO.	DESCRIPTION	QTY.
1	90.0606	BOLT, 3/8-16 USS X 3/4	2
2	95.06	WASHER, FLAT 3/8 SAE.	2
3	99.SF06	NUT, SF 3/8-16 USS	2
4	02.HP0420	HAIRPIN, 1/8 X 2 1/2.	1
5	64.1040	PIN, WEIGHT SECURE 21 LONG	1
6	62.0955	FRAME, REAR COUNTER WEIGHT	1
7	62.1002	BUMPER, REAR-KT	1
8	99.SF06	NUT, SF 3/8-16 USS	8
9	95.06	WASHER, FLAT 3/8 SAE.	8
10.	90.0610	BOLT, 3/8-16 USS X 1 1/4	8

# OPTIONS

## ILLUSTRATED DRAWING 70.4030 LIGHT BAR KIT



# OPTIONS

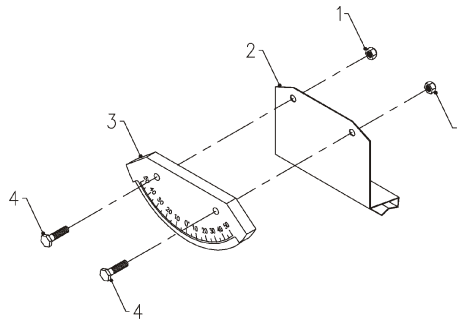
## 70.4030 LIGHT BAR KIT

REF.	PART NO.	DESCRIPTION	QTY.
1	33.0036	LIGHT, STROBE 2 JOULE AMBER	1
2	05.0072	SNAP BUSHING, 3/8 ID X 1/2 OD	3
3	99.SF0404-1	BOLT, SF 1/4-20 X 1/2 W/RUBBER	2
4	05.0047	GROMMET, 5/16ID,13/16OD,5/16TK	1
5	30.0226	CLAMP, WIRE MT ADH. 3/8 GRAY	6
6	90.0420	BOLT, 1/4-20 USS X 2 1/2	4
7	60.0842	FRAME, LIGHT BAR TOP KT	1
8	47.0167	KNOB, 1/4-20 X 1-1/4 DIA BLK	2
9	60.0844	COVER, LIGHT BAR ACCESS KT.	1
10	99.E0046	NUT, "U" 1/4-20 EXTRUDED	2
11	31.0034	SWITCH, TOGGLE ON/OFF SPST	2
12	60.0843	FRAME, LIGHT BAR BOTTOM KT.	1
14	33.0043	LIGHT, HEAD 12V 55W HALOGEN	2
	33.0037	BULB, LIGHT(ONLY) FOR 55 WATT.	2
15	05.0070	PLUG, 1/2" HOLE, NYLON	1
16	99.SF04	NUT, SF 1/4-20 USS	6
17	30.0157	BOOT, TOGGLE SWITCH	2
18	30.0152	CONNECTOR, BULLET - 3 WAY STD (not shown).	2
19	30.0146	TERMINAL, ADAPTER 1/4 PUSH ON (not shown)	1
20	34.1400-1002	WIRE, 14 GA 2 WIRE X 78"T (not shown)	1
21	34.1601-2002	WIRE, 16 GA X 3" BLACK (not shown)	1
22	34.1603-1001	WIRE, 16 GA X 6" RED (not shown)	1
23	34.1603-1002	WIRE, 16 GA X 6" RED (not shown)	1
24	00.0185	DECAL, CAB CONTROLS	1
25	99.K0071	MACHINE SCREW, 10-32 X 5/8	3
26	05.0101	GROMMET, 3/8ID, 7/8OD, 3/8THK	1
27	62.1323	FRAME, LIGHT BAR TOP	1
28	33.0049	LIGHT, STROBE AMBER	1
29	99.A1032N	LOCKNUT, NYLON 10-32 STAINLESS	3
30	33.0042	LENS, STROBE-AMBER REPLACEMENT	1
30	33.0046	LENS, STROBE-BLUE REPLACEMENT	1
31	33.0041	BULB, LIGHT (ONLY) FOR 33.0036	1
32	33.0050	LENS, STROBE - AMBER 3-1/2"	1
32	33.0051	LENS, STROBE - BLUE 3-1/2"	1
33	33.0052	BULB, STROBE LIGHT FOR 33.0049	1

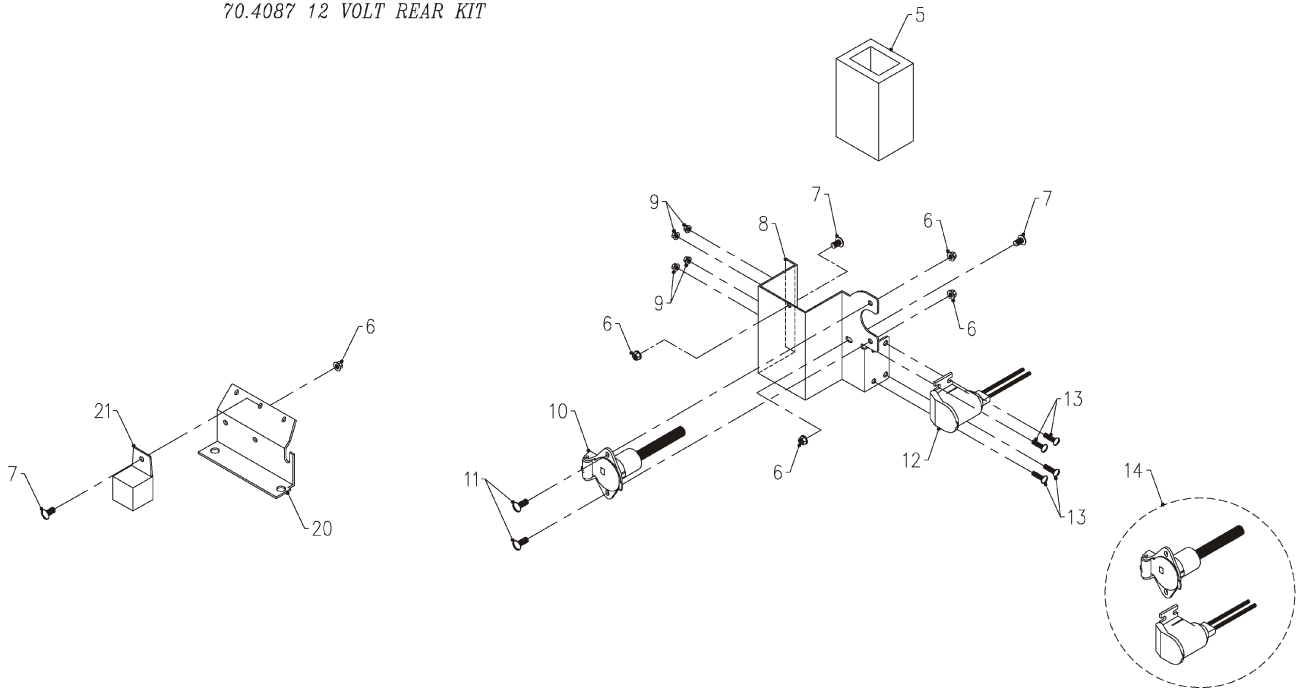
# OPTIONS

## ILLUSTRATED DRAWING SLOPE GAUGE, 12 VOLT OUTLET, & 12 VOLT FRONT PLUG

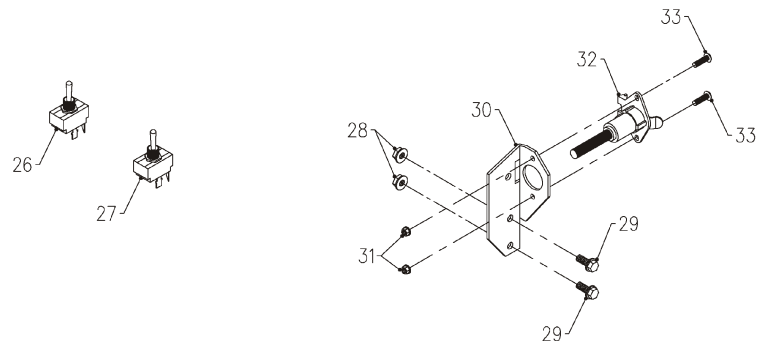
70.0109 SLOPE GAUGE KIT



70.4087 12 VOLT REAR KIT



70.4039 FRONT 12 VOLT SWITCH & PLUG KIT



# OPTIONS

## SLOPE GAUGE, 12 VOLT OUTLET, & 12 VOLT FRONT PLUG

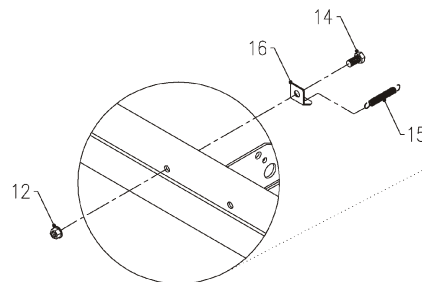
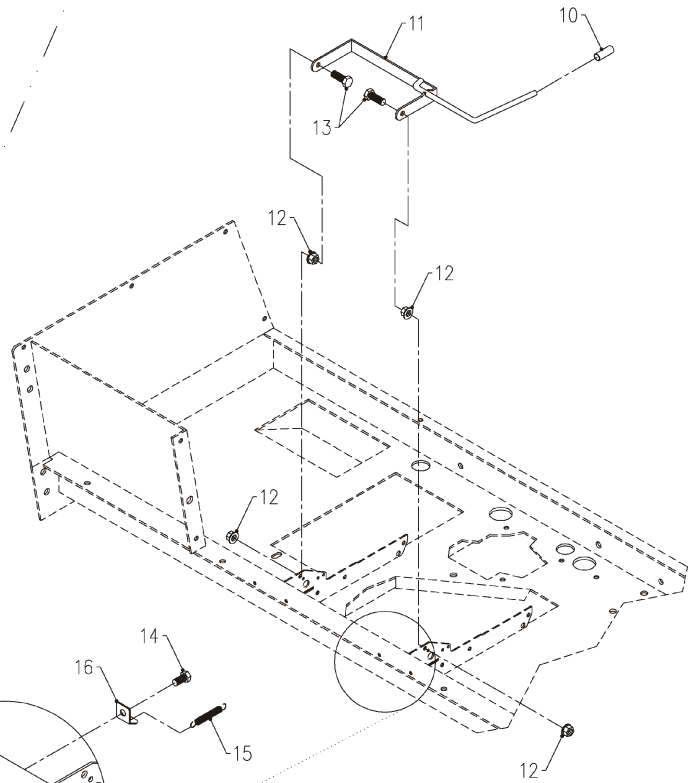
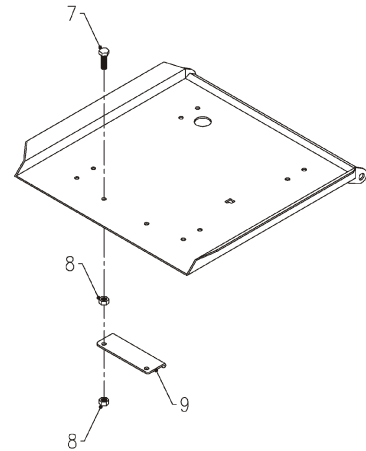
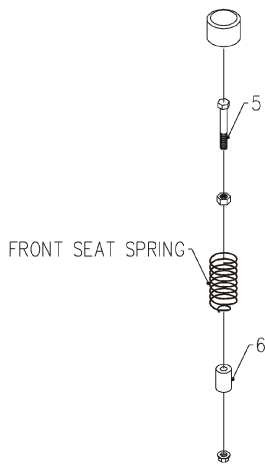
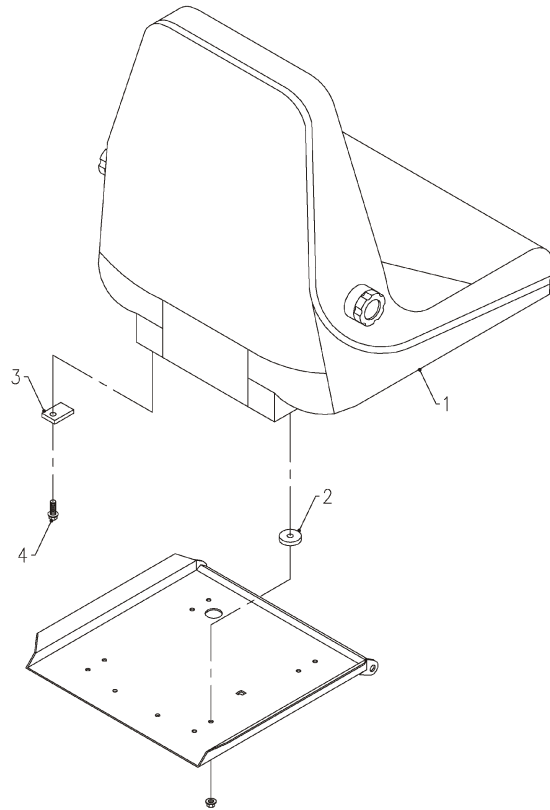
REF.	PART NO.	DESCRIPTION	QTY.
1	99.A04N	LOCKNUT, NYLON 1/4-20	2
2	64.0983	BRACKET, TILT INDICATOR	1
3	35.0105	INDICATOR, SLOPE DEGREE	1
4	90.0408	BOLT, 1/4-20 USS X 1	2
5	06.0056-3.13IN	INSULATION, PIPE 1-5/8 ID X3/8 X 3-1/8"	1
6	99.E0035	NUT, SF #10-32	5
7	99.K0042	MACHINE SCREW, 10-32 X 3/8	3
8	64.1424	BRACKET, REAR 12V HOLDER	1
9	99.E0062	NUT, SF#8-32	4
10	30.0219	SOCKET, TRAILER 4-PIN FEMALE	1
11	99.K0062	MACHINE SCREW, 10-32 X 1/2	2
12	30.0221	OUTLET, 12 VOLT ALL WEATHER	1
13	99.K0041	MACHINE SCREW, #8-32 X 1/2	4
14	32.0093	HARNESS, KT 12V REAR	1
15	30.0146	TERMINAL, ADAPTER 1/4 PUSH ON (not shown)	1
16	30.0207	TERMINAL, .25 PUSHON F 16-14GA (not shown)	2
17	30.0209	TERMINAL, 5/16" RING-12-10 INS (not shown)	1
18	30.0225	TERMINAL, BULLET .156 M 12-10 (not shown)	1
19	30.0310	FUSE, 25 AMP ATC BLADE - NAT. (not shown)	1
20	64.0849	BRACKET, RELAY MOUNTING	1
21	35.0097	RELAY, 12 VOLT 50 AMP	1
26	31.0034	SWITCH, TOGGLE ON/OFF SPST	1
27	31.0041	SWITCH, TOGGLE DPDT MOOFFMO	1
28	99.SF04	NUT, SF 1/4-20 USS	2
29	99.SF0405-1	BOLT, SMF 1/4-20 X 5/8	2
30	64.1063	BRACKET, FRONT AUX. ELEC. PLUG	1
31	99.E0035	NUT, SF #10-32	2
32	30.0219	SOCKET, TRAILER 4-PIN FEMALE	1
33	99.K0062	MACHINE SCREW, 10-32 X 1/2	2
34	30.0157	BOOT, TOGGLE SWITCH (not shown)	2
35	30.0166	FUSE, 15 AMP ATC BLADE - BLUE (not shown)	1
36	99.E0049	NUT, WASHER #10-32 (STAR NUT) (not shown)	1
37	32.0079	HARNESS, KT 12V SWITCH & PLUG (not shown)	1

# OPTIONS

## ILLUSTRATED DRAWING SUSPENSION SEAT & SEAT LOCK

47.0231 SUSPENSION SEAT KIT  
(INCLUDES SEAT LOCK KIT)

70.4051 SEAT LOCK KIT



# OPTIONS

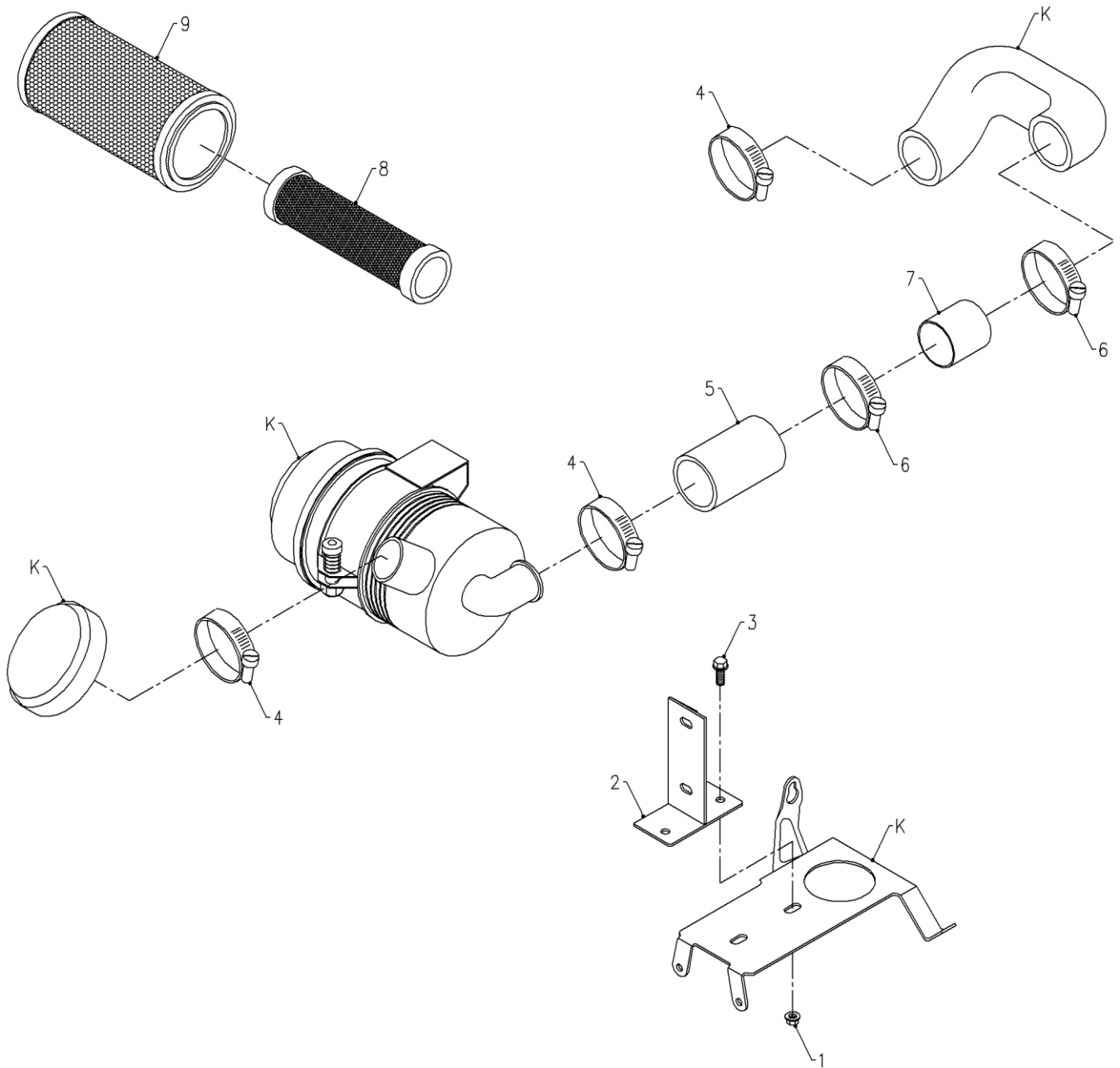
## SUSPENSION SEAT & SEAT LOCK

REF.	PART NO.	DESCRIPTION	QTY.
1	47.0233	SEAT, FULL SUSPENSION (Serial # 1391-1527)	1
	47.0272	SEAT, FULL SUSPENSION (Serial # 1528-)	1
	47.0231-1	ARMREST, KIT - SUSPENSION SEAT	1
	47.0233-1	KIT, BACK PANEL ASSEMBLY	1
2	05.0069	WASHER, NYLON	4
3	64.1112	STOP, SUSPENSION SEAT	1
4	99.SF0508	BOLT, SF 5/16-18 USS X 1	1
5	90.0624	BOLT, 3/8-16 USS X 3	1
6	64.1142	BUSHING, 7/16 X 7/8 X 1-1/2	1
7	90.0508	BOLT, 5/16-18 USS X 1	2
8	92.05	NUT, 5/16-18 USS	4
9	62.1039	BRACKET, SEAT LOCK	1
10	47.0236	CAP, VINYL 3/8 ID X 1 1/2 LONG	1
11	64.1165	BRACKET, SEAT LOCK LEVER	1
12	99.SF06	NUT, SF 3/8-16 USS	5
13	90.0608	BOLT, 3/8-16 USS X 1	2
14	90.0606	BOLT, 3/8-16 USS X 3/4	1
15	41.0079	SPRING, 7/8 OD X 3 1/2 LG	1
16	62.1038	BRACKET, SPRING ANCHOR	1

Seat lock kit (70.4051) is included with the suspension seat kit (47.0231).

# OPTIONS

## ILLUSTRATED DRAWING 70.4049 CANISTER AIR CLEANER KIT (25 hp KAWASAKI FH721D)





# OPTIONS

## 70.4049 CANISTER AIR CLEANER KIT (25 hp KAWASAKI FH721D)

REF.	PART NO.	DESCRIPTION	QTY.
1	99.SF05	NUT, SF 5/16-18 USS	2
2	64.1158	BRACKET, CANISTER MOUNT	1
3	99.SF0504	BOLT, SF 5/16-18USS X 1/2	2
4	11.0044	CLAMP, HOSE S/S 1-9/16- 2-1/2	3
5	14.0024	HOSE, AIR CLEANER KAW	1
6	11.0061	CLAMP, HOSE S/S 2 3/4	2
<hr/>			
7	14.0025	TUBE, 1 7/8 ID X 2 OD X 2 LONG	1
8	13.0205	FILTER, AIR ELEMENT INNER	1
9	13.0206	FILTER, AIR ELEMENT OUTER	1
<hr/>			
K*	99999-7033	KIT, AIR CLEANER, KAWASAKI	1
	92192-7031	TUBE, BREATHER VENT	1
	461F0800	WASHER, LOCK	2
	317R0800	NUT, HEX.	2
	11060-7010	GASKET, INSULATOR	2
	92191-7032	TUBE, FORMED	1
<hr/>			
	16060-7019	PIPE, INTAKE	1
	11065-7006	CAP, WEATHER HOOD	1
	23062-7009	BRACKET, CANISTER BAND	1
	11053-7002	BRACKET, FRAME PLATE	1
	92063-7045	JET, MAIN, L-112	1
	11061-7042	GASKET, INTAKE PIPE	1
<hr/>			
	11010-7011	CANISTER, AIR FILTER	1
	130B0814	BOLT, FLANGE	2

\*All parts listed under the Kawasaki air cleaner kit are Kawasaki parts. These parts are listed using Kawasaki's part number and must be ordered from an authorized Kawasaki parts dealer.