



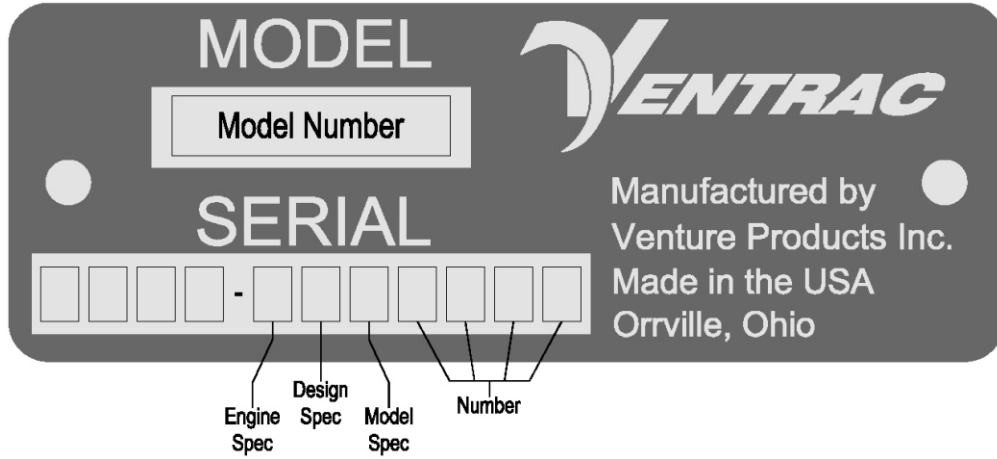
PARTS MANUAL

TRACTOR 4200 VXD SERIAL # 2555 -



SERIAL NUMBER DESCRIPTION

SERIAL NUMBER PLATE



ENGINES

- U B&S D 26.5 HP DSL LC
- V B&S D 31 HP GAS LC
- W B&S D 31 HP DSL LC
- X KAWASAKI 27 HP GAS LC

TABLE OF CONTENTS

| | |
|--|------------------|
| DECALS | SECTION A |
| Replacement Decals | A-1 - 2 |
| ELECTRICAL | SECTION B |
| Kawasaki Wiring Diagram | B-1 & 2 |
| Vanguard Gas Wiring Diagram | B-3 & 4 |
| Vanguard Diesel Wiring Diagram | B-5 & 6 |
| HYDRAULICS, AXLES, & WHEELS | SECTION C |
| Hydraulic Diagram | C-1 & 2 |
| Steering, Lift, & Auxiliary Hydraulics | C-3 & 4 |
| Pump & Front Filter | C-5 & 6 |
| Front Transaxle | C-7 & 8 |
| Rear Transaxle & Hydraulics | C-9 & 10 |
| Lift Valve & Rear Filter | C-9 & 10 |
| Axle & Tire | C-11 & 12 |
| Model 2600 Transaxle | C-13 & 14 |
| Model 15 Motor | C-15 & 16 |
| Model 15 Pump | C-17 & 18 |
| ENGINE/ENGINE DRIVES | SECTION D |
| Kawasaki Engine & Drive | D-1 & 2 |
| Kawasaki Engine Mount & Exhaust | D-3 & 4 |
| Kawasaki Cooling System & Air Filters | D-5 & 6 |
| Kawasaki Fuel System | D-7 & 8 |
| Vanguard Engine | D-9 & 10 |
| Vanguard Drive Shaft & PTO Drive | D-11 & 12 |
| Vanguard Engine Mount & Exhaust | D-13 & 14 |
| Vanguard Gas & Natural Diesel Cooling System | D-15 & 16 |
| Vanguard Turbo Diesel Cooling System | D-17 & 18 |
| Vanguard Gas & Natural Diesel Air Intake | D-19 & 20 |
| Vanguard Turbo Diesel Air Intake | D-21 & 22 |
| Vanguard Diesel Fuel System | D-23 & 24 |
| Vanguard Gas Fuel System | D-25 & 26 |
| FRAME, SHEET METAL | SECTION E |
| Rear Frame, Upper | E-1 & 2 |
| Rear Frame, Lower | E-3 & 4 |
| Rear Hitch Assembly | E-5 & 6 |
| Seat Assembly | E-7 & 8 |
| Front Frame, Upper | E-9 & 10 |
| Front Frame, Lower | E-11 & 12 |
| Front Hitch & Weight Transfer | E-13 & 14 |
| Hood, Grill, & Dash | E-15 & 16 |
| Shields & Fenders | E-17 & 18 |

TABLE OF CONTENTS

CONTROLS & LINKAGE

SECTION F

| | |
|---|-----------|
| Hand Controls, Rear | F-1 & 2 |
| Forward/Reverse Rocker | F-3 & 4 |
| Pump Control Arm | F-5 & 6 |
| Neutral Position Assembly | F-7 & 8 |
| Park Brake, Throttle, & Choke | F-9 & 10 |
| High/Low Shift Linkage | F-11 & 12 |
| PTO Belt Tightener | F-13 & 14 |

OPTIONS

SECTION G

| | |
|---|-----------|
| 3 Point Hitch Frame | G-1 & 2 |
| 3 Point Hitch Arms | G-3 & 4 |
| 3 Point Hitch Hydraulics | G-5 & 6 |
| 3 Point Hitch Hydraulic Diagram | G-7 & 8 |
| 70.4088 Rear Hydraulic Valve | G-9 & 10 |
| 70.4088 Rear Valve Hydraulic Diagram | G-11 & 12 |
| Dual Wheels | G-13 & 14 |
| Foot Pedal & Wheel Extensions | G-15 & 16 |
| 70.2004 Fold Down Roll Bar | G-17 & 18 |
| 70.0098 Canopy | G-19 & 20 |
| 39.56114 3N1 Hitch | G-21 & 22 |
| Rear Counterweight Bar & Rear Bumper | G-23 & 24 |
| 70.4030 Light Bar | G-25 & 26 |
| Slope Gauge, 12 Volt Outlet, & 12 Volt Front Plug | G-27 & 28 |
| Suspension Seat & Seat Lock | G-29 & 30 |

DECALS



00.0192 - Flat V

! DANGER

EXPLOSION HAZARD

To prevent an explosion or a fire:

- Do not smoke while refuelling.
- Keep smoking material, sparks and open flames away.

SW501

00.0121

! WARNING

To prevent serious injury or death from exploding gases:

- Do not work on batteries without proper instruction and training.
- See operator's manual.

SW500

00.0124

ALL WHEEL DRIVE

00.0138

ROPS Certification

VEHICLE MODEL: Ventrac 4000 Series Tractor
 Test Standard Applied: OSHA 1928.51 (seat belt anchor)
 OSHA 1928.52 (ROPS) Max Vehicle Weight: #2,320

00.145

00.0145

THIS MACHINE IS COVERED BY ONE OR MORE OF THE FOLLOWING UNITED STATES PATENTS.

6,367,574 6,425,452

00.0200



00.0100

! HI/LOW RANGE!
 SHIFT ONLY ON LEVEL TERRAIN, WITH TRACTOR STATIONARY. SHIFT LEVER MUST BE IN LOCKED POSITION.

00.0176

HIGH TEMPERATURE WARNING ALARM
 MAX OPERATING TEMP 220° F

00.0199
 Vanguard Only



00.0168



00.0170



00.0167



00.0169

WEIGHT TRANSFER

! WARNING
 USE ONLY VENTRAC HydroTorq XL SYNTHETIC HYDRAULIC OIL OR EQUIVALENT

DIESEL ONLY

UNLEADED FUEL ONLY

Check Cold Prior To Starting Engine

APPROXIMATE OIL LEVEL

WEIGHT TRANSFER

S.D.L.A.
 Speed, Direction, Lift, Auxiliary.

Original Floor

Auxiliary Hydraulics

Front Lift

PTO Belt

Front Hitch

Engaged Released

Released Latched

Up Down

Hold

Up Down

Hold

Up Down

Hold

00.0177

! WARNING
 Moving parts can cause injury. Keep hands, feet and objects clear during operation.

00.0216

! WARNING
 Read and understand operator's manual before using this machine.
 Failure to follow operating instructions could result in death or serious injury.

PART NO. 00.0217

00.0217

! WARNING
 Pinch Points. Moving parts can crush or cut. **KEEP CLEAR!**

00.0218

! WARNING
 Avoid Injury. Do not reach over or under guards.

PART NO. 00.0219

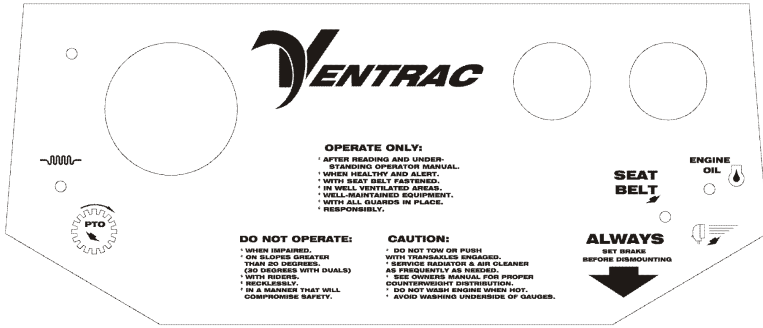
00.0219

! WARNING
 For the safety of all personnel, **DO NOT** modify or remove any of this equipment's guards, safety devices or warning labels.

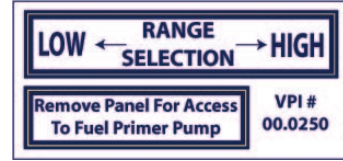
PART NO. 00.0220

00.0220

DECALS



00.0175



00.0250



00.0291



00.0171



00.0172



Raised V on Steering Wheel

00.0207



Raised V between Headlights

00.0210

| VENTRAC FREQUENT SERVICE REFERENCE CHART | | | |
|---|---|---|---|
| INTERVAL | RECOMMENDED SERVICE | INTERVAL | GREASE |
| CHECK DAILY | 1. Fluid level including: Engine oil, Hyd Oil & Radiator Coolant.* | EVERY 50 HOURS | Grease all locations shown in the figure below. One to two pumps of grease maximum for all specified locations. |
| | 2. Air filter element/s (replace if necessary). | | A - Front Hitch |
| | 3. Radiator*, screen and engine compartment for debris. ■ | | E - Drive Shaft/U-Joint |
| | 4. Parking brake tension. | | B - Lift Cylinder |
| | 5. Tire pressure, wear, or damage. | | F - 3-Pt Cylinder* |
| | 6. Abnormal noise and vibrations, loose or missing hardware. | | C - Center Pivot |
| | 7. General machine function such as: Steering, S.D.L.A. Control, PTO etc. | | D - Steering Cylinder |
| TIRES | | | |
| Tires | Standard - Max. Pressure | Torque | |
| All Terrain | 8-16psi/55-110kPa | 55 ft/lbs | |
| Bar | 8-16psi/55-110kPa | 55 ft/lbs | |
| Turf | 15-20 psi/103-138kPa | 55 ft/lbs | |
| All tire specifications listed above are for single tire applications and normal working conditions. | | | |
| * Applicable models only. | | | |
| ■ More frequent service required in high heat and/or high dirt & debris conditions. | | | |
| ▲ Refer to your Engine Operators Manual for oil specifications, and change intervals. | | | |
| ◆ Refer to Tractor Operators Manual for full service schedule and instructions on service procedures. | | | |
| | | ENGINE OIL | |
| | | Check engine oil level daily. Add oil as required. DO NOT OVERFILL! ▲ | |
| | | AIR FILTER | |
| | | Replace filter every 100 hours. ■ | |
| | | HYDRAULIC OIL | |
| | | Use only Ventrac HydroTorqXL Synthetic hydraulic oil or equivalent. | |

00.0251



00.0173 - Right Side

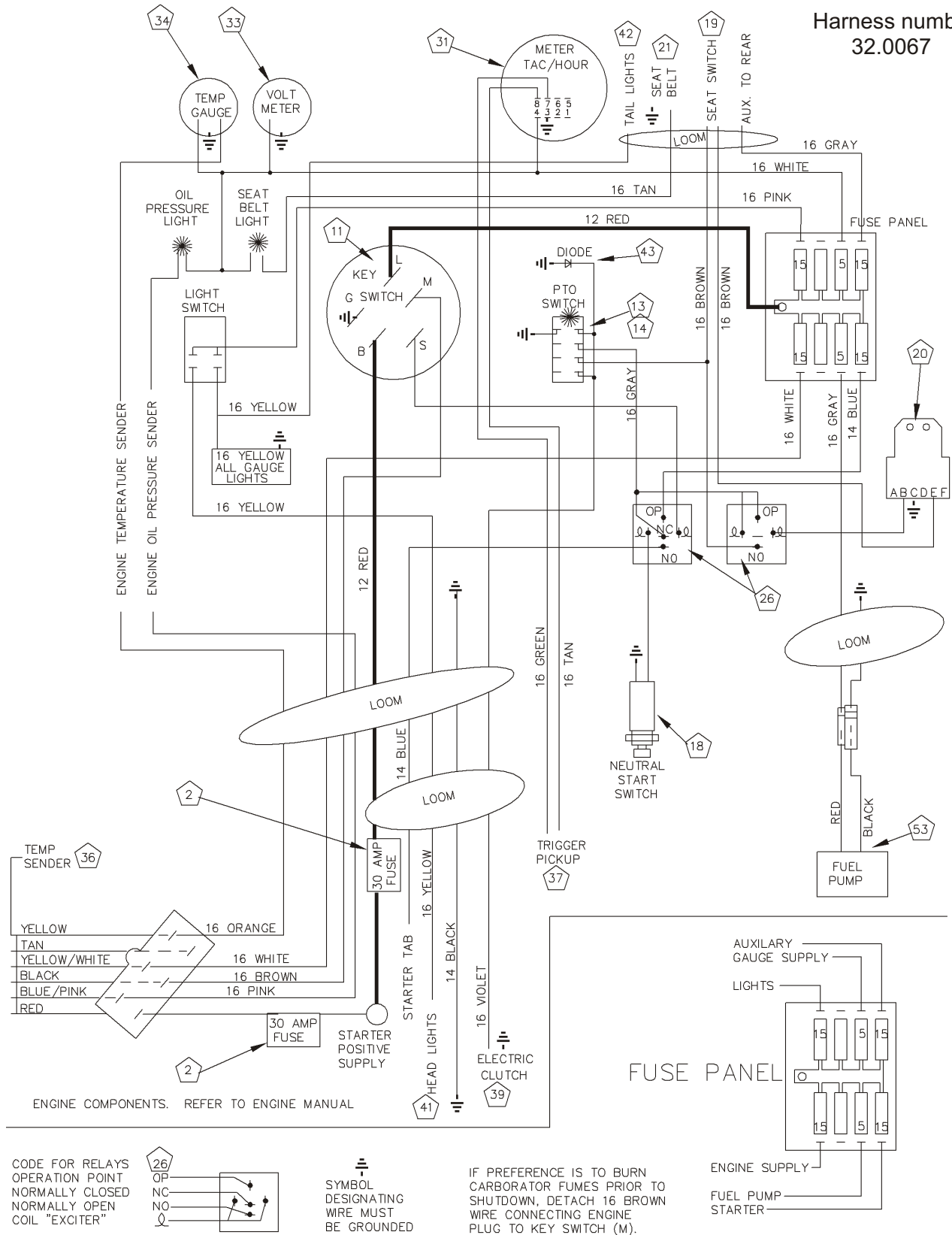


00.0174 - Left Side

ELECTRICAL

ILLUSTRATED DRAWING KAWASAKI WIRING DIAGRAM (20 amp charge system)

Harness number
32.0067



ELECTRICAL

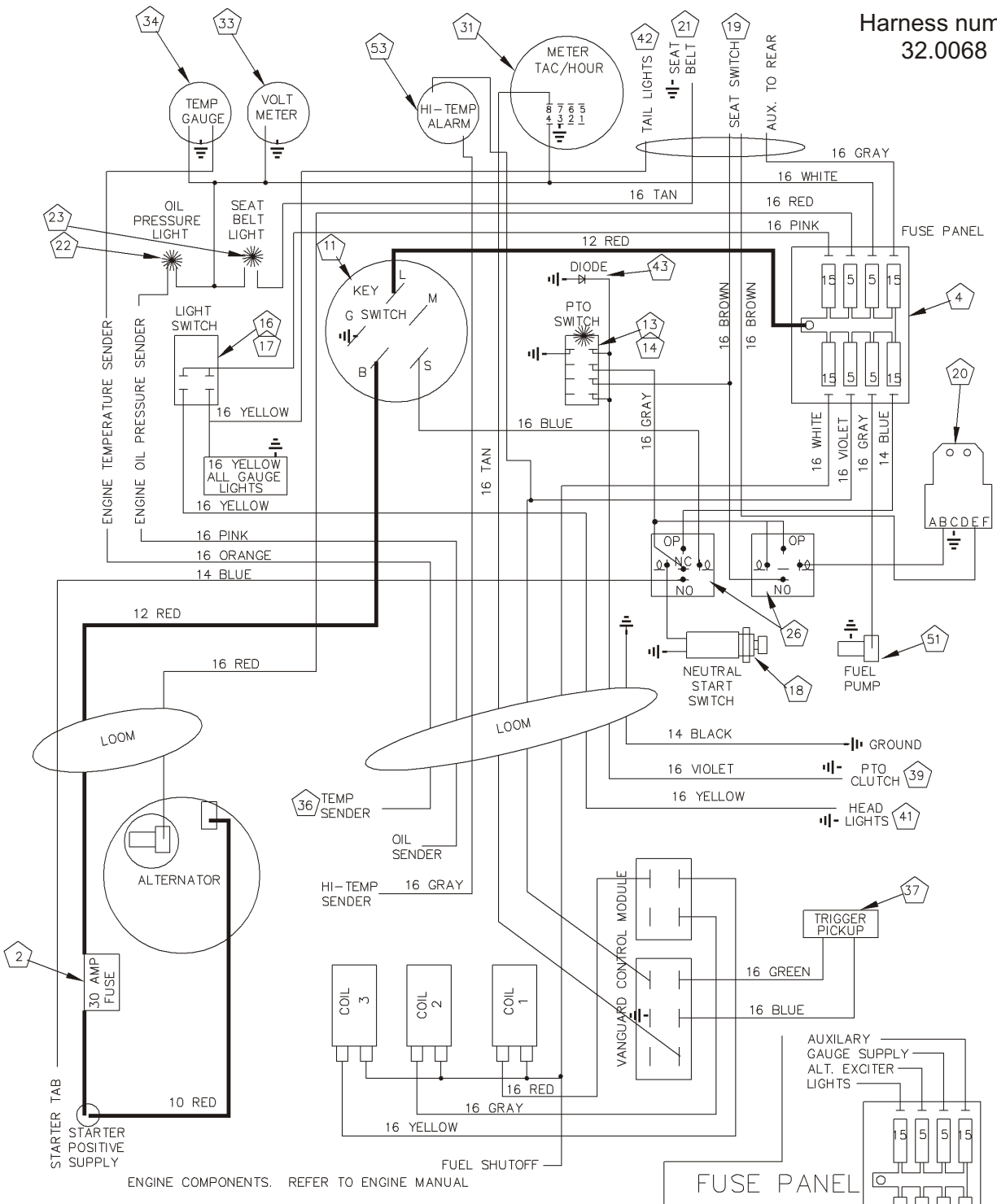
KAWASAKI WIRING DIAGRAM (20 amp charge system)

| REF. | PART NO. | DESCRIPTION | QTY. |
|------|-----------|---|------|
| 1 | 33.0030 | BATTERY, HARRIS (not shown) | 1 |
| 2 | 30.0186 | FUSE HOLDER, INLINE 35 AMP | 1 |
| 4 | 30.0185 | FUSE PANEL, 8 CIRCUIT ATC BLAD | 1 |
| 7 | 30.0197 | FUSE, 30 AMP ATC BLADE - GREEN | 2 |
| 9 | 30.0166 | FUSE, 15 AMP ATC BLADE - BLUE | 4 |
| 10 | 30.0187 | FUSE, 5 AMP ATC BLADE - TAN | 2 |
| 11 | 13.0078 | SWITCH, IGNITION DELTA | 1 |
| 12 | 13.0080 | KEY, IGNITION DELTA | 1 |
| 13 | 31.0035 | SWITCH, CONTOUR OFF-ON-ON | 1 |
| 14 | 31.0038 | ROCKER, SWITCH SOFT/BK/AMB LEN | 1 |
| 16 | 31.0036 | SWITCH, CONTOUR ON-OFF DPST | 1 |
| 17 | 31.0037 | ROCKER, SWITCH SOFT/BLK/NO LEN | 1 |
| 18 | 31.0044 | SWITCH, PUSH BUTTON - NEUTRAL | 1 |
| 19 | 31.0033 | SWITCH, SEAT 2" ROUND GRAY (Standard Seat) | 1 |
| 19 | 31.0033-1 | SWITCH, SEAT W/O GRAY HOUSING (Suspension Seat) | 1 |
| 20 | 35.0106 | TIME DELAY, .5 SECOND | 1 |
| 22 | 33.0039 | LIGHT, SEAT BELT/OIL RED | 1 |
| 23 | 33.0039 | LIGHT, SEAT BELT/OIL RED | 1 |
| 26 | 35.0103 | RELAY, 50 AMP 5 POLE | 2 |
| 27 | 30.0196 | CONNECTOR, 5 PIN RELAY MOUNT | 2 |
| 31 | 35.0102 | TACHOMETER, W/HR METER | 1 |
| 33 | 35.0101 | GAUGE, VOLTMETER 12 VOLT | 1 |
| 34 | 35.0100 | GAUGE, TEMP 2" DIA 250° | 1 |
| 36 | 13.0075 | SENDING UNIT, TEMP 250 DEG | 1 |
| 37 | 13.0162 | TRIGGER, IGNITION FOR 950G VAN | 1 |
| 38 | 30.0152 | CONNECTOR, BULLET - 3 WAY STD. (not shown) | 1 |
| 39 | 37.0018 | CLUTCH, ELECTRIC OGURA | 1 |
| 41 | 33.0043 | LIGHT, HEAD 12V 55W HALOGEN | 2 |
| | 33.0037 | BULB, LIGHT(ONLY) FOR 55 WATT | 2 |
| 42 | 33.0022 | LIGHT, TAIL RED-SINGLE BULB | 2 |
| | 33.0034 | LENS, RED REPLACEMENT | 2 |
| | 33.0038 | BULB, LIGHT (ONLY) FOR 33.0022 | 2 |
| 43 | 30.0202 | DIODE, ASSEMBLY | 1 |
| 46 | 32.0021 | CABLE, ASM POS. BAT. RED 76" (not shown) | 1 |
| 47 | 32.0022 | CABLE, ASM NEG. BAT. BLK 74" (not shown) | 1 |
| 53 | 13.0077 | PUMP, FUEL KAW - X | 1 |

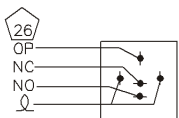
ELECTRICAL

ILLUSTRATED DRAWING VANGUARD GAS WIRING DIAGRAM (40 amp charge system)

Harness number
32.0068



CODE FOR RELAYS
OPERATION POINT
NORMALLY CLOSED
NORMALLY OPEN
COIL "EXCITER"



SYMBOL
DESIGNATING
WIRE MUST
BE GROUNDED

ENGINE COILS
ENGINE MODULE
FUEL PUMP
STARTER

ELECTRICAL

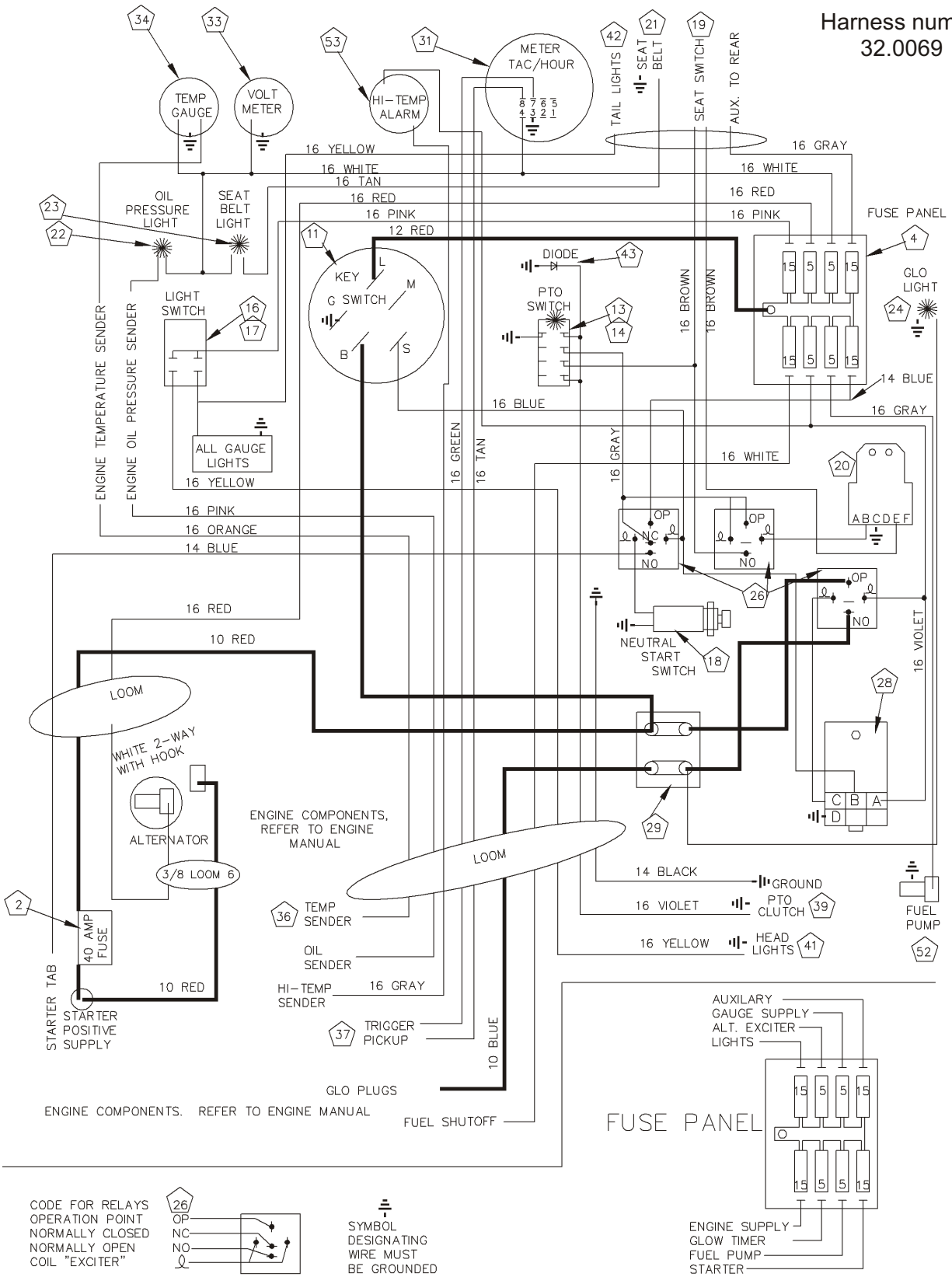
VANGUARD GAS WIRING DIAGRAM (40 amp charge system)

| REF. | PART NO. | DESCRIPTION | QTY. |
|------|-----------|---|------|
| 1 | 33.0030 | BATTERY, HARRIS (not shown) | 1 |
| 2 | 30.0186 | FUSE HOLDER, INLINE 35 AMP | 1 |
| 4 | 30.0185 | FUSE PANEL, 8 CIRCUIT ATC BLAD | 1 |
| 7 | 30.0197 | FUSE, 30 AMP ATC BLADE - GREEN | 1 |
| 9 | 30.0166 | FUSE, 15 AMP ATC BLADE - BLUE | 4 |
| 10 | 30.0187 | FUSE, 5 AMP ATC BLADE - TAN | 4 |
| 11 | 13.0078 | SWITCH, IGNITION DELTA | 1 |
| 12 | 13.0080 | KEY, IGNITION DELTA | 1 |
| 13 | 31.0035 | SWITCH, CONTOUR OFF-ON-ON | 1 |
| 14 | 31.0038 | ROCKER, SWITCH SOFT/BK/AMB LEN | 1 |
| 16 | 31.0036 | SWITCH, CONTOUR ON-OFF DPST | 1 |
| 17 | 31.0037 | ROCKER, SWITCH SOFT/BLK/NO LEN | 1 |
| 18 | 31.0044 | SWITCH, PUSH BUTTON - NEUTRAL | 1 |
| 19 | 31.0033 | SWITCH, SEAT 2" ROUND GRAY (Standard Seat) | 1 |
| 19 | 31.0033-1 | SWITCH, SEAT W/O GRAY HOUSING (Suspension Seat) | 1 |
| 20 | 35.0106 | TIME DELAY, .5 SECOND | 1 |
| 22 | 33.0039 | LIGHT, SEAT BELT/OIL RED | 1 |
| 23 | 33.0039 | LIGHT, SEAT BELT/OIL RED | 1 |
| 26 | 35.0103 | RELAY, 50 AMP 5 POLE | 2 |
| 27 | 30.0196 | CONNECTOR, 5 PIN RELAY MOUNT | 2 |
| 31 | 35.0102 | TACHOMETER, WITH HOUR METER | 1 |
| 33 | 35.0101 | GAUGE, VOLTMETER 12 VOLT | 1 |
| 34 | 35.0100 | GAUGE, TEMP 2" DIA 250° | 1 |
| 36 | 13.0075 | SENDING UNIT, TEMP 250 DEG | 1 |
| 37 | 13.0162 | TRIGGER, IGNITION | 1 |
| 38 | 30.0152 | CONNECTOR, BULLET - 3 WAY STD. (not shown) | 1 |
| 39 | 37.0018 | CLUTCH, ELECTRIC OGURA | 1 |
| 41 | 33.0043 | LIGHT, HEAD 12V 55W HALOGEN | 2 |
| | 33.0037 | BULB, LIGHT(ONLY) FOR 55 WATT | 2 |
| 42 | 33.0022 | LIGHT, TAIL RED-SINGLE BULB | 2 |
| | 33.0034 | LENS, RED REPLACEMENT | 2 |
| | 33.0038 | BULB, LIGHT (ONLY) FOR 33.0022 | 2 |
| 43 | 30.0202 | DIODE, ASSEMBLY | 1 |
| 46 | 32.0021 | CABLE, ASM POS. BAT. RED 76" (not shown) | 1 |
| 47 | 32.0022 | CABLE, ASM NEG. BAT. BLK 74" (not shown) | 1 |
| 48 | 32.0049 | CABLE, FRAME-ENGINE GND STRAP (not shown) | 1 |
| 51 | 13.0133 | PUMP, FUEL VANG - V | 1 |
| 53 | 35.0107 | ALARM, HIGH TEMP | 1 |

ELECTRICAL

ILLUSTRATED DRAWING VANGUARD DIESEL WIRING DIAGRAM (40 amp charge system)

Harness number
32.0069



ELECTRICAL

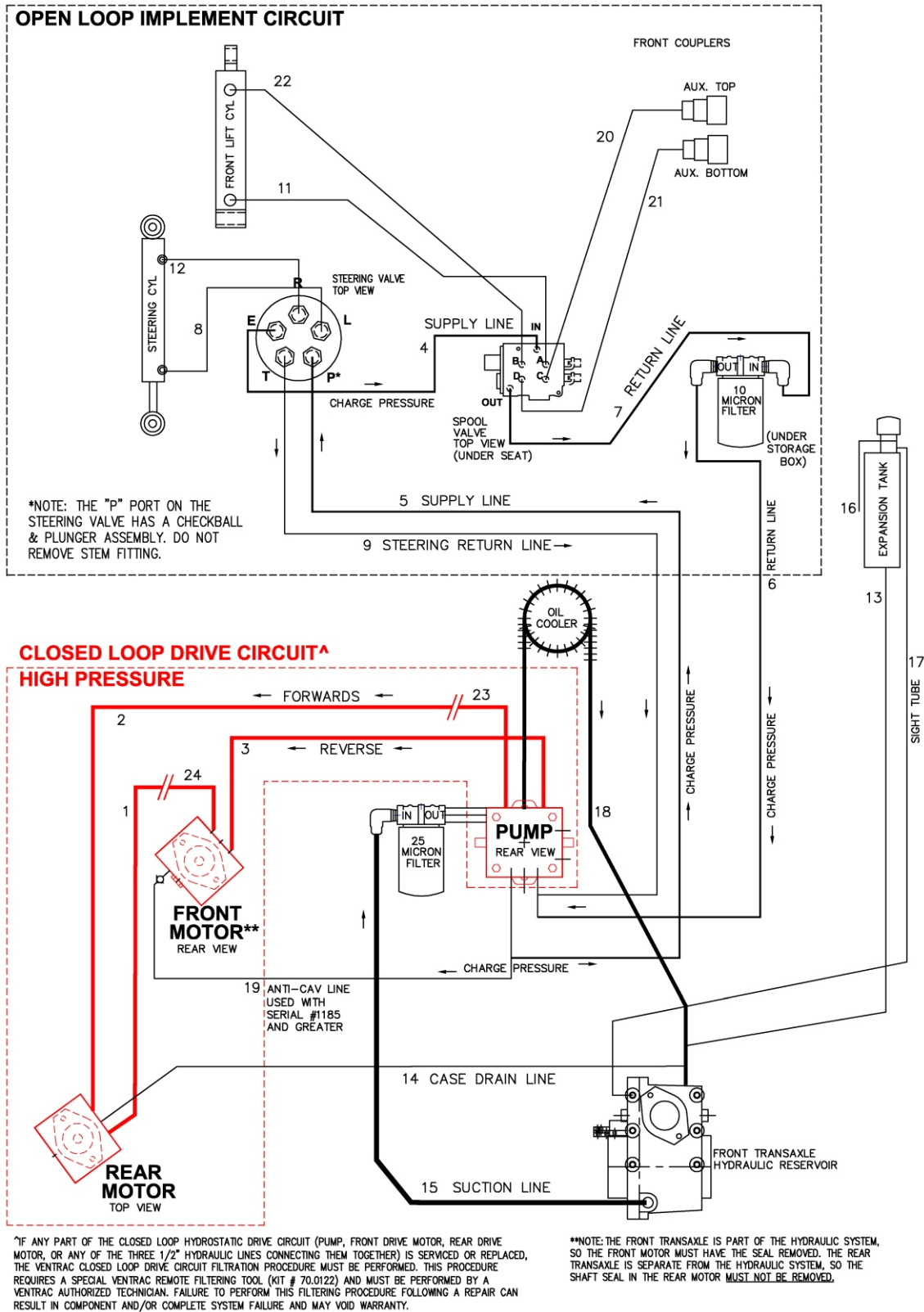
VANGUARD DIESEL WIRING DIAGRAM (40 amp charge system)

| REF. | PART NO. | DESCRIPTION | QTY. |
|------|-----------|--|------|
| 1 | 33.0030 | BATTERY, HARRIS. | 1 |
| 2 | 30.0186 | FUSE HOLDER, INLINE 35 AMP | 1 |
| 4 | 30.0185 | FUSE PANEL, 8 CIRCUIT ATC BLAD | 1 |
| 6 | 30.0188 | FUSE, 40 AMP ATC BLADE - AMBER. | 1 |
| 9 | 30.0166 | FUSE, 15 AMP ATC BLADE - BLUE | 4 |
| 10. | 30.0187 | FUSE, 5 AMP ATC BLADE - TAN | 3 |
| 11. | 13.0078 | SWITCH, IGNITION DELTA | 1 |
| 12. | 13.0080 | KEY, IGNITION DELTA | 1 |
| 13. | 31.0035 | SWITCH, CONTOUR OFF-ON-ON | 1 |
| 14. | 31.0038 | ROCKER, SWITCH SOFT/BK/AMB LEN | 1 |
| 16. | 31.0036 | SWITCH, CONTOUR ON-OFF DPST | 1 |
| 17. | 31.0037 | ROCKER, SWITCH SOFT/BLK/NO LEN. | 1 |
| 18. | 31.0044 | SWITCH, PUSH BUTTON - NEUTRAL | 1 |
| 19. | 31.0033 | SWITCH, SEAT 2" ROUND GRAY (Standard Seat) | 1 |
| 19. | 31.0033-1 | SWITCH, SEAT W/O GRAY HOUSING (Suspension Seat) | 1 |
| 20. | 35.0106 | TIME DELAY, .5 SECOND | 1 |
| 22. | 33.0039 | LIGHT, SEAT BELT/OIL RED. | 1 |
| 23. | 33.0039 | LIGHT, SEAT BELT/OIL RED. | 1 |
| 24. | 33.0040 | LIGHT, GLOWPLUG BLUE. | 1 |
| 26. | 35.0103 | RELAY, 50 AMP 5 POLE | 3 |
| 27. | 30.0196 | CONNECTOR, 5 PIN RELAY MOUNT. | 3 |
| 28. | 13.0071 | TIMER, GLOW PLUG-VANGUARD | 1 |
| 29. | 30.0198 | TERMINAL BLOCK, 2 POSITION 30A. | 1 |
| 31. | 35.0102 | TACHOMETER, WITH HOUR METER. | 1 |
| 33. | 35.0101 | GAUGE, VOLTMETER 12 VOLT. | 1 |
| 34. | 35.0100 | GAUGE, TEMP 2" DIA 250° | 1 |
| 36. | 13.0075 | SENDING UNIT, TEMP 250 DEG. | 1 |
| 37. | 13.0162 | TRIGGER, IGNITION. | 1 |
| 38. | 30.0152 | CONNECTOR, BULLET - 3 WAY STD. | 1 |
| 39. | 37.0018 | CLUTCH, ELECTRIC OGURA | 1 |
| 41. | 33.0043 | LIGHT, HEAD 12V 55W HALOGEN | 2 |
| | 33.0037 | BULB, LIGHT(ONLY) FOR 55 WATT. | 2 |
| 42. | 33.0022 | LIGHT, TAIL RED-SINGLE BULB | 2 |
| | 33.0034 | LENS, RED REPLACEMENT | 2 |
| | 33.0038 | BULB, LIGHT (ONLY) FOR 33.0022 | 2 |
| 43. | 30.0202 | DIODE, ASSEMBLY | 1 |
| 46. | 32.0021 | CABLE, ASM POS. BAT. RED 76" | 1 |
| 47. | 32.0022 | CABLE, ASM NEG. BAT. BLK 74" | 1 |
| 48. | 32.0049 | CABLE, FRAME-ENGINE GND STRAP | 1 |
| 52. | 13.0058 | PUMP, FUEL VANG - W (Serial # 2555-2927) | 1 |
| 52. | - | (Serial # 2928-) Refer to page D-23 for primer bulb pump | 1 |
| 53. | 35.0107 | ALARM, HIGH TEMP. | 1 |

HYDRAULICS, AXLES, & WHEELS

ILLUSTRATED DRAWING HYDRAULIC DIAGRAM

ALL VIEWS ARE FROM REAR OF TRACTOR, OR AS NOTED



HYDRAULICS, AXLES, & WHEELS

HYDRAULIC DIAGRAM

| REF. | PART NO. | DESCRIPTION | QTY. |
|-------|---------------|--|------|
| 1 | 20.0223 | HOSE,ASM 1/2IDX77 SSBRAID-PTFE (Serial # 2555-3316) | 1 |
| 1 | 20.0291 | HOSE, ASM 1/2 ID X 75 SS BRAID (Serial # 3317-3482) | 1 |
| 1 | 20.0276 | HOSE, 1/2x48.50 SS BRAID PTFE (Serial # 3483-) | 1 |
| 2 | 20.0224 | HOSE,ASM 1/2IDX65 SSBRAID-PTFE (Serial # 2555-3316) | 1 |
| 2 | 20.0290 | HOSE, 1/2x63.00 SS BRAID PTFE (Serial # 3317-3482) | 1 |
| 2 | 20.0275 | HOSE, 1/2x53.50 SS BRAID PTFE (Serial # 3483-) | 1 |
| <hr/> | | | |
| 3 | 20.0225 | 5/8OD X .095W STEEL TUBE ZYP | 1 |
| 4 | 20.0222 | HOSE,ASM 3/8X55 CPE SAE100R1AT | 1 |
| 5 | 20.0221 | STEEL TUBE, 3/8 OD X .035W YZP | 1 |
| 6 | 20.0219 | HOSE,ASM 3/8X40 CPE SAE100R1AT | 1 |
| 7 | 20.0220 | HOSE,ASM 3/8X32 CPE SAE100R1AT | 1 |
| 8 | 20.0173 | HOSE, ASM X 42" 1/4-1 W. | 1 |
| <hr/> | | | |
| 9 | 20.0218 | STEEL TUBE, 3/8OD X .035W YZP | 1 |
| 11 | 20.0213 | HOSE, ASM C 1/4 X 46"-2750 | 1 |
| 12 | 20.0113 | HOSE, ASM X 38" 1/4-1W | 1 |
| 13 | 22.0024 | HOSE, ASM X 11-1/4" 1/2 P.LOC | 1 |
| 14 | 22.0025 | HOSE, ASM X 53" 3/8 PUSHLOCK | 1 |
| 15 | 22.0044 | HOSE, ASM X 20.5 5/8 CPE P.LOC | 1 |
| <hr/> | | | |
| 16 | 27.F04-36IN | HOSE, FUEL LINE X 1/4 /FT X 36" | 1 |
| 17 | 27.T04-36IN | TUBE, TEFLON 1/4 OD X .187 ID X 36" (Serial # 2555-2690) | 1 |
| 17 | 27.T06-1-32IN | TUBE, PDF 3/8 OD C 1/4 ID x 32" (Serial # 2691-) | 1 |
| 18 | 20.0171 | TUBE, OIL COOLING 1/2 OD | 1 |
| 19 | 20.0187 | HOSE, ASM X 13-1/2" 1/4"-3000. | 1 |
| 20 | 20.0116 | HOSE, ASM X 56" 1/4-1W #6 (Serial # 2555-3482) | 1 |
| 20 | 20.0137 | HOSE, 1/4x60.00 SAE 100R17 AR (Serial # 3483-) | 1 |
| <hr/> | | | |
| 21 | 20.0116 | HOSE, ASM X 56" 1/4-1W #6 (Serial # 2555-3482) | 1 |
| 21 | 20.0139 | HOSE, 1/4x58.00 SAE 100R17 AR (Serial # 3483-) | 1 |
| 22 | 20.0294 | HOSE, 1/4x54.50 SAE 100R17 AR | 1 |
| 23 | 20.0277 | STEEL TUBE, 1/2" OD X .065 W (Serial # 3483-) | 1 |
| 24 | 20.0286 | STEEL TUBE, 1/2" OD X .065 W (Serial # 3483-) | 1 |

Straight Thread O-Ring Boss - O-Ring Replacement Part Numbers

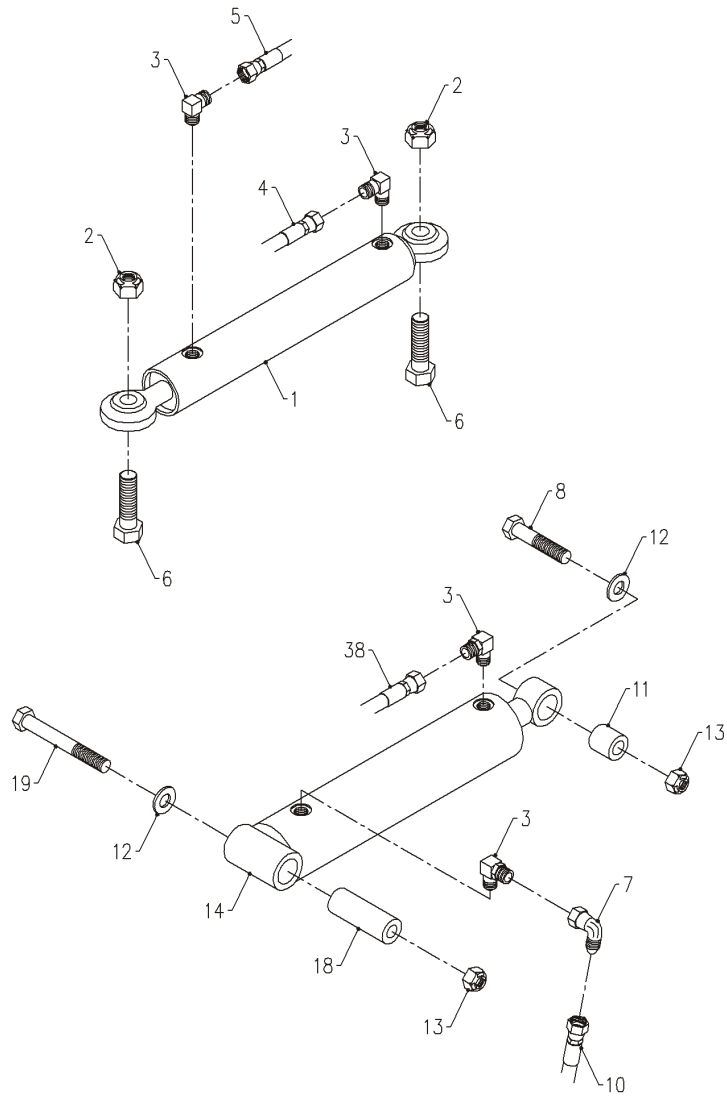
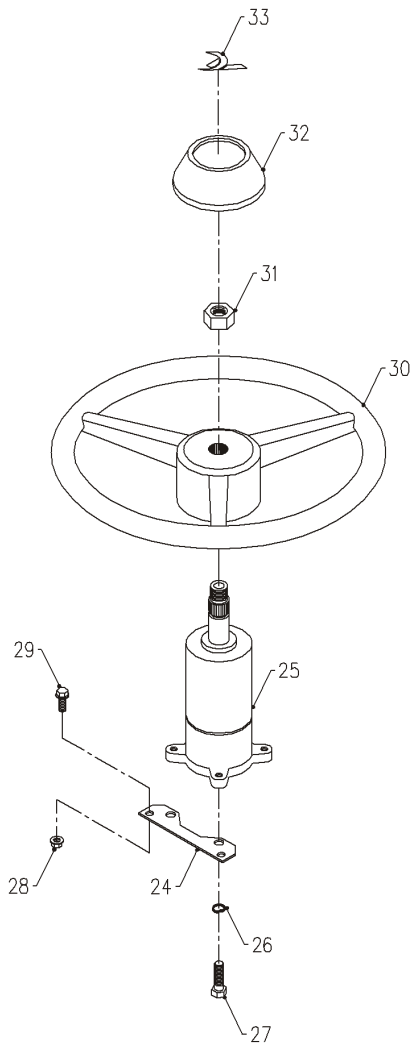
| SAE Fitting Size | Thread Size | VPI Part # | ID | OD | Width | AS568A Dash # |
|------------------|-------------|------------|--------|--------|--------|---------------|
| -04 | 7/16-20 | 26.0035 | 0.351" | 0.495" | 0.072" | 904 |
| -06 | 9/16-18 | 26.0036 | 0.468" | 0.624" | 0.078" | 906 |
| -08 | 3/4-16 | 26.0037 | 0.644" | 0.818" | 0.087" | 908 |
| -10 | 7/8-14 | 26.0038 | 0.755" | 0.949" | 0.097" | 910 |
| -12 | 1-1/16-12 | 26.0039 | 0.924" | 1.156" | 0.116" | 912 |
| -16 | 1-5/16-12 | 26.0043 | 1.171" | 1.403" | 0.116" | 916 |

O-Ring Face Seal Hose - O-Ring Replacement Part Numbers

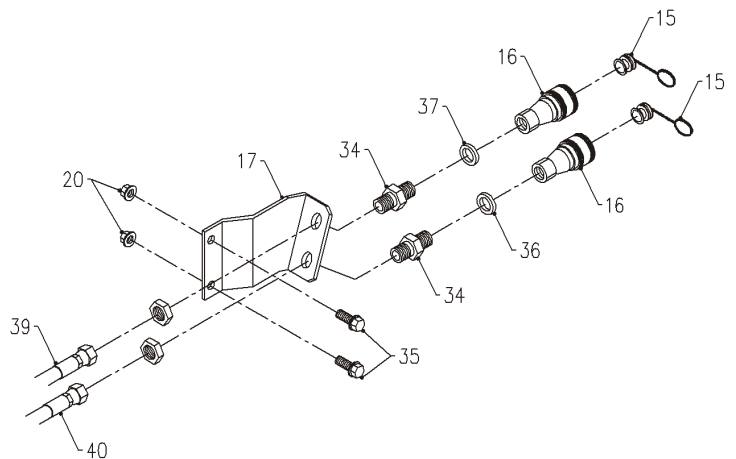
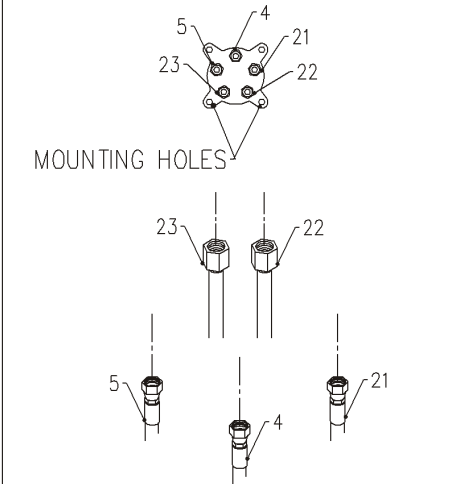
| SAE Fitting Size | Thread Size | VPI Part # | ID | OD | Width | AS568A Dash # |
|------------------|-------------|------------|--------|--------|--------|---------------|
| -04 | 9/16-18 | 26.0044 | 0.301" | 0.441" | 0.070" | 011 |
| -06 | 11/16-16 | 26.0025 | 0.364" | 0.504" | 0.070" | 012 |
| -08 | 13/16-16 | 26.0009 | 0.489" | 0.629" | 0.070" | 014 |
| -10 | 1-14 | 26.0023 | 0.614" | 0.754" | 0.070" | 016 |
| -12 | 1-3/16-12 | 26.0045 | 0.739" | 0.879" | 0.070" | 018 |
| -16 | 1-7/16-12 | 26.0046 | 0.925" | 1.066" | 0.070" | 021 |

HYDRAULICS, AXLES, & WHEELS

ILLUSTRATED DRAWING STEERING, LIFT, & AUXILIARY HYDRAULICS



BOTTOM VIEW



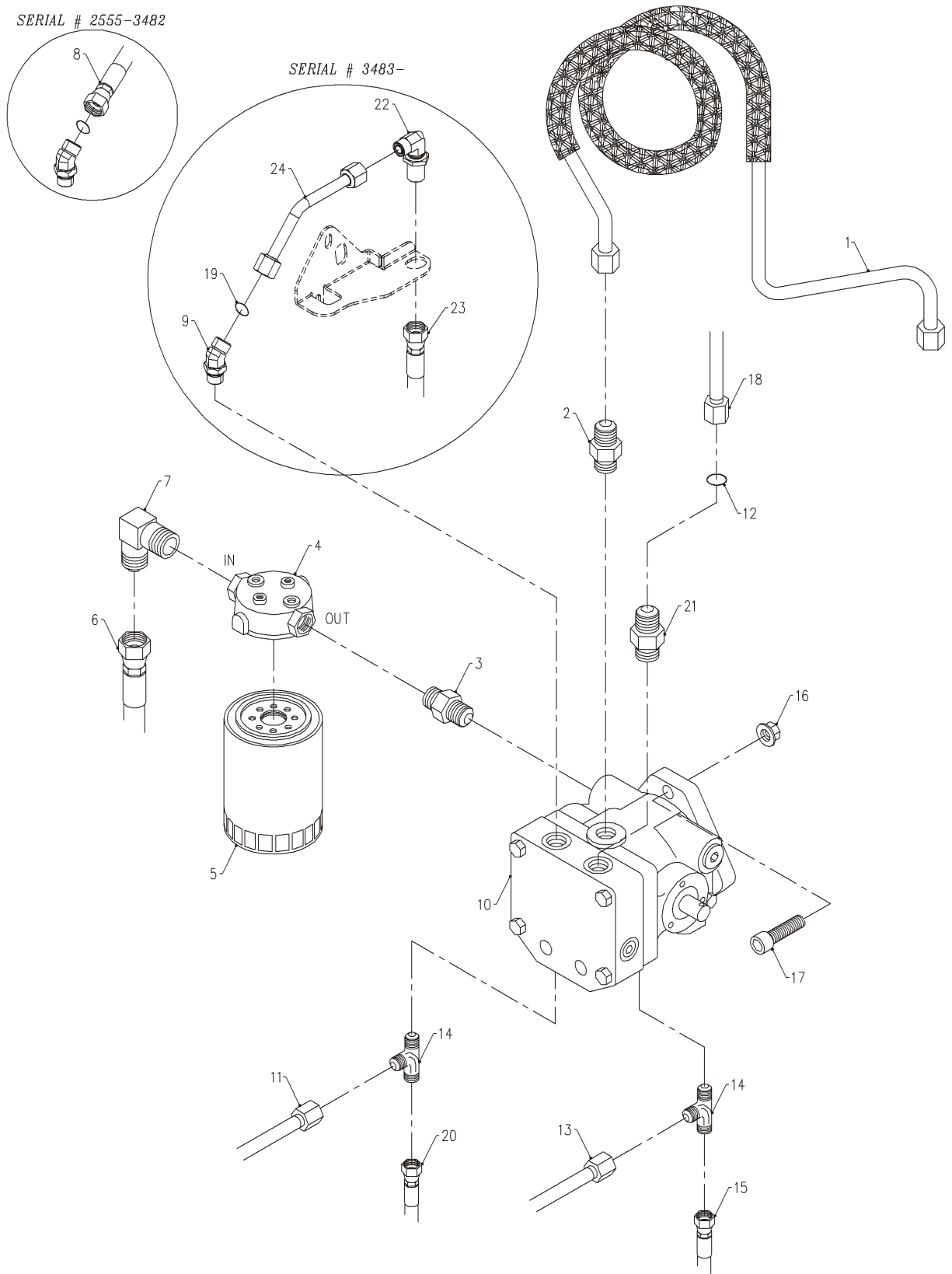
HYDRAULICS, AXLES, & WHEELS

STEERING, LIFT, & AUXILIARY HYDRAULICS

| REF. | PART NO. | DESCRIPTION | QTY. |
|------|-----------------|---|------|
| 1 | 23.0129 | CYLINDER, 1-1/2" X 8" STEERING | 1 |
| 2 | 99.A10NF | LOCKNUT, STOVER 5/8-18 SAE (Serial # 2555-3414) | 2 |
| 2 | 99.E0095 | LOCKNUT, 5/8-11 HEAVY NYLON (Serial # 3415-) | 2 |
| 3 | 25.6801-06-06 | FITTING, 90 ME 3/8 X 3/8 | 4 |
| 4 | 20.0113 | HOSE, ASM X 38" 1/4-1W | 1 |
| 5 | 20.0173 | HOSE, ASM X 42" 1/4-1 W. | 1 |
| 6 | 91.1018 | BOLT, 5/8-18 SAE X 2 1/4 (Serial # 2555-3414) | 2 |
| 6 | 99.K0112 | BOLT, 5/8-11 X 2-1/2 GRD A325 (Serial # 3415-) | 2 |
| 7 | 25.6500-06-06 | FITTING, 90 MFE 3/8 X 3/8 | 1 |
| 8 | 90.0820 | BOLT, 1/2-13 USS X 2 1/2 | 1 |
| 10 | 20.0213 | HOSE, ASM C 1/4 X 46"-2750 | 1 |
| 11 | 64.0749 | BUSHING, 33/64 X 1 X 1-1/16 | 1 |
| 12 | 95.08 | WASHER, FLAT 1/2 SAE. | 2 |
| 13 | 99.A08 | LOCKNUT, STOVER 1/2-13 USS | 2 |
| 14 | 23.0128 | CYLINDER, 2" X 8" LIFT | 1 |
| 15 | 23.0126 | PLUG, NYLON FOR 23.0106. | 2 |
| 16 | 23.0106 | COUPLER, HYD. QUICK FEMALE 1/4 | 2 |
| 17 | 64.1163 | BRACKET, HYD QUICK COUPLER | 1 |
| 18 | 64.0951 | BUSHING, 33/64ID X 1 OD X2-3/4. | 1 |
| 19 | 90.0832 | BOLT, 1/2-13 USS X 4 | 1 |
| 20 | 99.SF05 | NUT, SF 5/16-18 USS | 2 |
| 21 | 20.0222 | HOSE,ASM 3/8X55 CPE SAE100R1AT | 1 |
| 22 | 20.0218 | STEEL TUBE, 3/8OD X .035W YZP | 1 |
| 23 | 20.0221 | STEEL TUBE, 3/8 OD X .035W YZP. | 1 |
| 24 | 64.0915 | PLATE, STEER POST BOTTOM ANCH | 1 |
| 25 | 23.0113 | VALVE, STEERING-DANFOSS 100CC | 1 |
| 25 | 89.0095 | KIT, SEAL 23.0113 STEER VALVE. | 1 |
| 26 | 96.05 | WASHER, LOCK 5/16 | 2 |
| 27 | 99.M0009 | BOLT, M8 X 1.25 P X 25 MM LONG | 2 |
| 28 | 99.SF04 | NUT, SF 1/4-20 USS | 2 |
| 29 | 99.SF0404-1 | BOLT, SF 1/4-20 X 1/2 W/RUBBER | 2 |
| 30 | 47.0117 | STEERING WHEEL, 16MM X 40T | 1 |
| 31 | 99.E0011 | NUT, JAM 5/8 SAE | 1 |
| 32 | 47.0118 | CAP, STEERING WHEEL | 1 |
| 33 | 00.0207 | DECAL, VENTRAC DOME | 1 |
| 34 | 25.2706-04-06LN | FITTING, BULKHEAD W/LOCKNUT | 2 |
| 35 | 99.SF0506 | BOLT, SF 5/16-18 USS X 3/4. | 2 |
| 36 | 05.0116 | WASHER, .544ID x .817 x.14 RED. | 1 |
| 37 | 05.0117 | WASHER, .544ID x .817 x.14 YEL | 1 |
| 38 | 20.0294 | HOSE, 1/4x54.50 SAE 100R17 AR | 1 |
| 39 | 20.0116 | HOSE, ASM X 56" 1/4-1W #6 (Serial # 2555-3482) | 1 |
| 39 | 20.0137 | HOSE, 1/4x60.00 SAE 100R17 AR (Serial # 3483-) | 1 |
| 40 | 20.0116 | HOSE, ASM X 56" 1/4-1W #6 (Serial # 2555-3482) | 1 |
| 40 | 20.0139 | HOSE, 1/4x58.00 SAE 100R17 AR (Serial # 3483-) | 1 |

HYDRAULICS, AXLES, & WHEELS

ILLUSTRATED DRAWING PUMP & FRONT FILTER



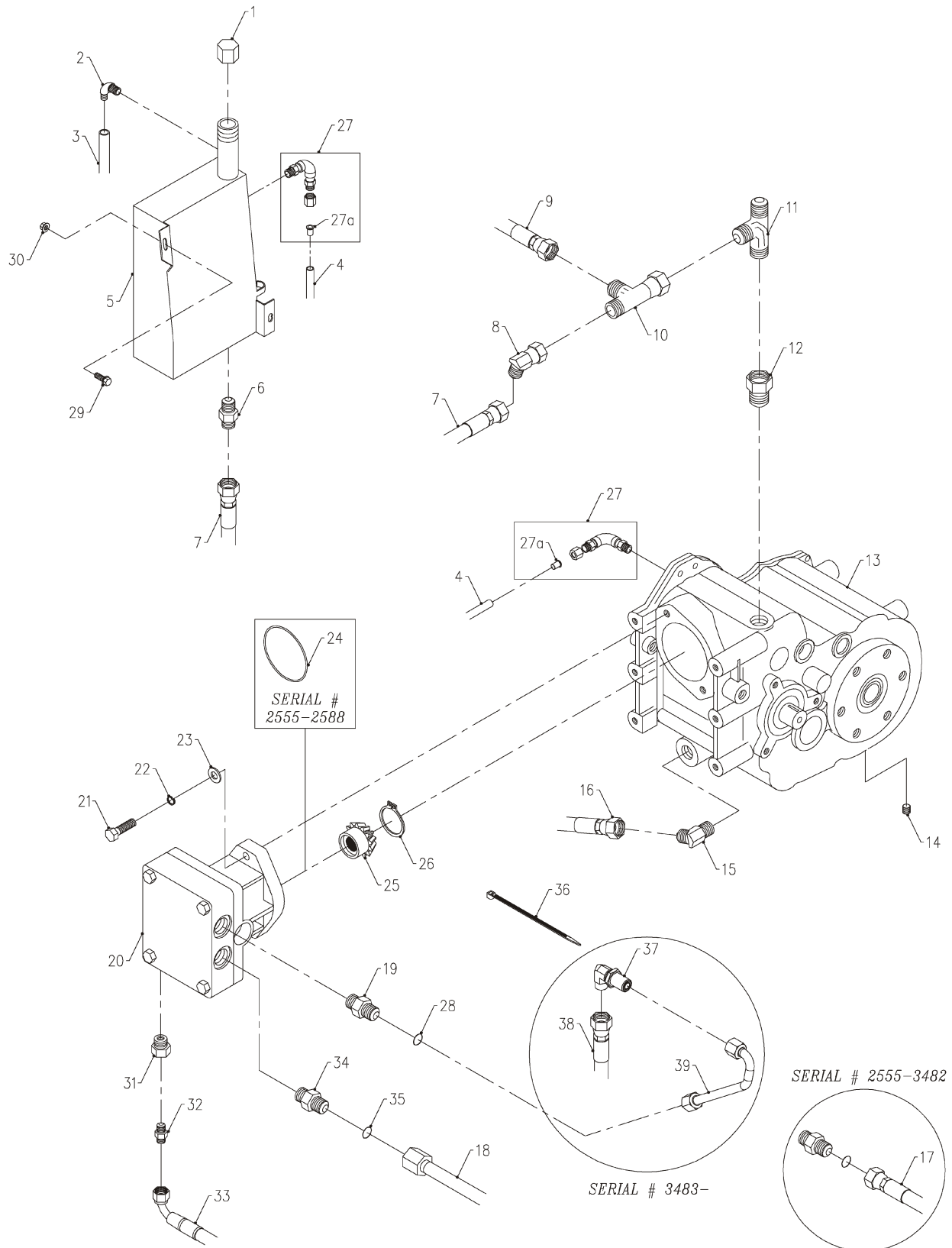
HYDRAULICS, AXLES, & WHEELS

PUMP & FRONT FILTER

| REF. | PART NO. | DESCRIPTION | QTY. |
|------|-------------------|---|------|
| 1 | 20.0171 | TUBE, OIL COOLING 1/2 OD | 1 |
| 2 | 25.6400-08-08 | FITTING, M CONN 1/2 X 1/2 | 1 |
| 3 | 25.6401-10-08 | FITTING, M ADPT 5/8 X 1/2 (Serial # 2555-3482) | 1 |
| 3 | 25.6407-10-10 | FITTING, M. ADAPTER -10 X -10 (Serial # 3483-) | 1 |
| 4 | 21.0082 | FILTER, HEAD 1/2" NPT PORT (Serial # 2555-3482) | 1 |
| 4 | 21.0119 | FILTER, HEAD -10 ORB PORTS (Serial # 3483-) | 1 |
| 5 | 21.0001 | FILTER, HYDRAULIC ZINGA AE25. | 1 |
| 6 | 22.0044 | HOSE, ASM X 20.5 5/8 CPE P.LOC | 1 |
| 7 | 25.2501-10-08 | FITTING, 90 ME 5/8 X 1/2 (Serial # 2555-3482) | 1 |
| 7 | 25.6801-10-10 | FITTING, 90 ME 5/8 X 5/8 (Serial # 3483-) | 1 |
| 8 | 20.0224 | HOSE,ASM 1/2IDX65 SSBRAID-PTFE (Serial # 2555-3316) | 1 |
| 8 | 20.0290 | HOSE, 1/2x63.00 SS BRAID PTFE (Serial # 3317-3482) | 1 |
| 9 | 25.FF6802-08-08 | FITTING, 45 ELBOW - 8MFF X 8MB. | 1 |
| 10 | 21.0080 | PUMP, HYD. SUNDSTRAND | 1 |
| 11 | 20.0221 | STEEL TUBE, 3/8 OD X .035W YZP. | 1 |
| 12 | 26.0023 | O-RING, .070 X .614ID 90D | A/R |
| 13 | 20.0218 | STEEL TUBE, 3/8OD X .035W YZP | 1 |
| 14 | 25.6804-6-6-6 | FITTING, M TEE 3/8 X 3/8 X 3/8 | 2 |
| 15 | 20.0219 | HOSE,ASM 3/8X40 CPE SAE100R1AT | 1 |
| 16 | 99.SF08 | NUT, SF 1/2-13 USS | 2 |
| 17 | 99.K0039 | BOLT, SHCS 1/2 X 1 1/2. | 2 |
| 18 | 20.0225 | 5/8OD X .095W STEEL TUBE ZYP | 1 |
| 19 | 26.0009 | O-RING, .070 X .489 ID 90D. | A/R |
| 20 | 20.0187 | HOSE, ASM X 13-1/2" 1/4"-3000. | 1 |
| 21 | 25.FF6400-10-08 | FITTING, CONNECTOR 5/8 X 1/2 | 1 |
| 22 | 25.FF2701-08-08LN | FITTING, 90 BULKHED 1/2 w/LNUT (Serial # 3483-) | 1 |
| 23 | 20.0275 | HOSE, 1/2x53.50 SS BRAID PTFE (Serial # 3483-) | 1 |
| 24 | 20.0277 | STEEL TUBE, 1/2" OD X .065 W (Serial # 3483-) | 1 |

HYDRAULICS, AXLES, & WHEELS

ILLUSTRATED DRAWING FRONT TRANSAXLE



HYDRAULICS, AXLES, & WHEELS

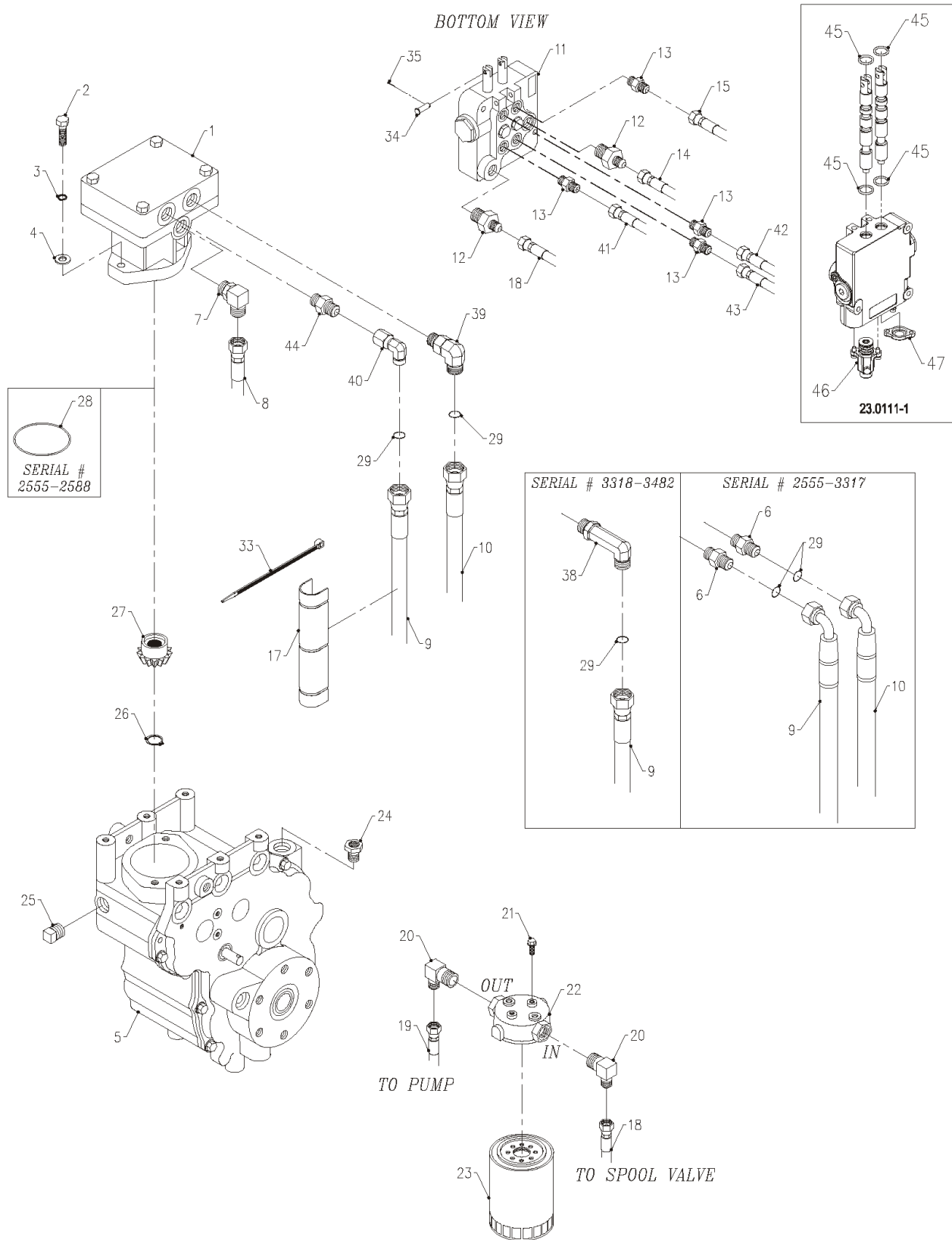
FRONT TRANSAXLE

| REF. | PART NO. | DESCRIPTION | QTY. |
|------|-------------------|--|------|
| 1 | 29.C12H | PIPE, CAP 3/4 NPT HEX ZP | 1 |
| 2 | 29.BF04MP0290-1 | FITTING B. 1/4 BRB 1/8 NPT 90 | 1 |
| 3 | 27.F04-36IN | HOSE, FUEL LINE X 1/4 /FT X 36" | 1 |
| 4 | 27.T04-36IN | TUBE, TEFLON 1/4 OD X .187 ID X 36" (Serial # 2555-2690) | 1 |
| 4 | 27.T06-1-32IN | TUBE, PDF 3/8 OD C 1/4 ID x 32" (Serial # 2691-) | 1 |
| 5 | 64.0913 | TANK, OIL | 1 |
| 6 | 25.2404-08-06 | FITTING, M CONN 1/2 X 3/8 | 1 |
| 7 | 22.0024 | HOSE, ASM X 11-1/4" 1/2 P.LOC | 1 |
| 8 | 25.6502-08-08 | FITTING, 45 MFE 1/2 X 1/2 | 1 |
| 9 | 22.0025 | HOSE, ASM X 53" 3/8 PUSHLOCK | 1 |
| 10 | 25.6602-8-8-8. | FITTING, TEE SINGLE SWIVEL 1/2 | 1 |
| 11 | 25.2605-8-8-8. | FITTING, M TEE 1/2 X 1/2 X 1/2 | 1 |
| 12 | 25.5406-12-08 | FITTING, BUSHING 3/4 X 1/2 | 1 |
| 13 | 51.0020 | TRANSAXLE, PEERLESS | 1 |
| 14 | 29.P06H | PIPE, PLUG 3/8 HEX ZP | 1 |
| 15 | 25.6802-10-10 | FITTING, 45 ME 5/8 X 5/8 | 1 |
| 16 | 22.0044 | HOSE, ASM X 20.5 5/8 CPE P.LOC | 1 |
| 17 | 20.0223 | HOSE,ASM 1/2IDX77 SSBRAID-PTFE (Serial # 2555-3316) | 1 |
| 17 | 20.0291 | HOSE, ASM 1/2 ID X 75 SS BRAID (Serial # 3317-3482) | 1 |
| 18 | 20.0225 | 5/8OD X .095W STEEL TUBE ZYP | 1 |
| 19 | 25.FF6400-08-08 | FITTING, CONNECTOR 8MFF X 8MB | 1 |
| 20 | 21.0081** | MOTOR, HYD. SUNDSTRAND (REMOVE SEAL) | 1 |
| 21 | 90.0612 | BOLT, 3/8-16 USS X 1 1/2 | 2 |
| 22 | 96.06 | WASHER, LOCK 3/8 | 2 |
| 23 | 95.06 | WASHER, FLAT 3/8 SAE | 2 |
| 24 | 26.0012 | O-RING, 3 X 3-1/8 X 1/16 (Serial # 2555-2588) | 1 |
| 25 | 87.0165 | GEAR, PINION MOTOR TO AXLE | 1 |
| 26 | 04.0015 | SNAP RING, EXT .039 X .588 | 1 |
| 27 | 29.GF0016 | FITTING, COMP 1/4OD 1/8 MP 90D (Serial # 2555-2690) | 2 |
| 27 | 29.GF0018 | FITTING, COMP 3/8OD 1/8 MP 90D (Serial # 2691-) | 2 |
| 27a | 29.GF0018-1 | SLEEVE, TUBING (Serial # 4152-) | 2 |
| 28 | 26.0009 | O-RING, .070 X .489 ID 90D | A/R |
| 29 | 99.SF0405-1 | BOLT, SMF 1/4-20 X 5/8 | 2 |
| 30 | 99.SF04 | NUT, SF 1/4-20 USS | 2 |
| 31 | 25.6410-08-06 | FITTING, M/F O-RING 1/2 X 3/8 | 1 |
| 32 | 23.0123 | VALVE, CHECK - VONBERG | 1 |
| 33 | 20.0187 | HOSE, ASM X 13-1/2" 1/4"-3000. | 1 |
| 34 | 25.FF6400-10-08 | FITTING, CONNECTOR 5/8 X 1/2 | 1 |
| 35 | 26.0023 | O-RING, .070 X .614ID 90D | A/R |
| 36 | 30.0037 | TYTON TIE, #50 .18 X 8 BLACK | 1 |
| 37 | 25.FF2701-08-08LN | FITTING, 90 BULKHED 1/2 w/LNUT (Serial # 3483-) | 1 |
| 38 | 20.0276 | HOSE, 1/2x48.50 SS BRAID PTFE (Serial # 3483-) | 1 |
| 39 | 20.0286 | STEEL TUBE, 1/2" OD X .065 W (Serial # 3483-) | 1 |

**NOTE: When replacing the front motor, the shaft seal must be removed.

HYDRAULICS, AXLES, & WHEELS

ILLUSTRATED DRAWING REAR TRANSAXLE & HYDRAULICS



HYDRAULICS, AXLES, & WHEELS

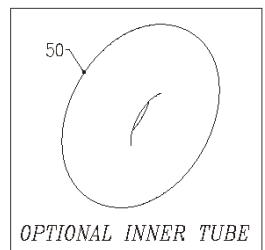
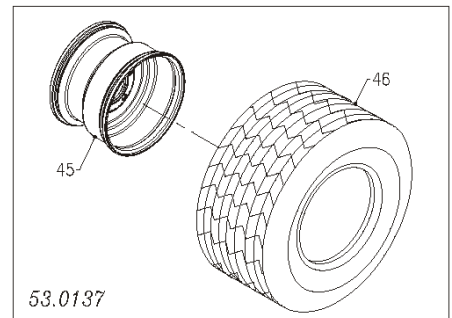
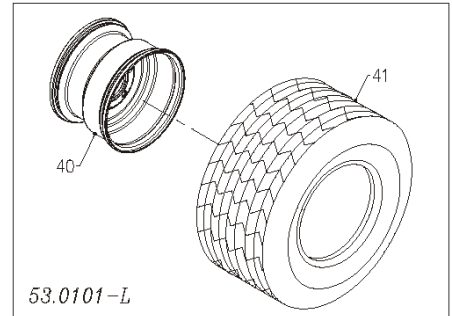
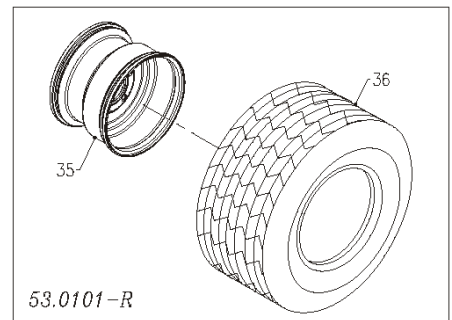
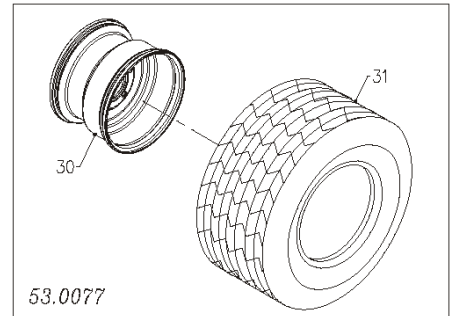
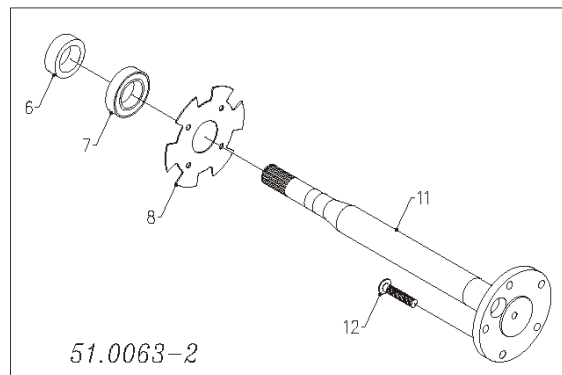
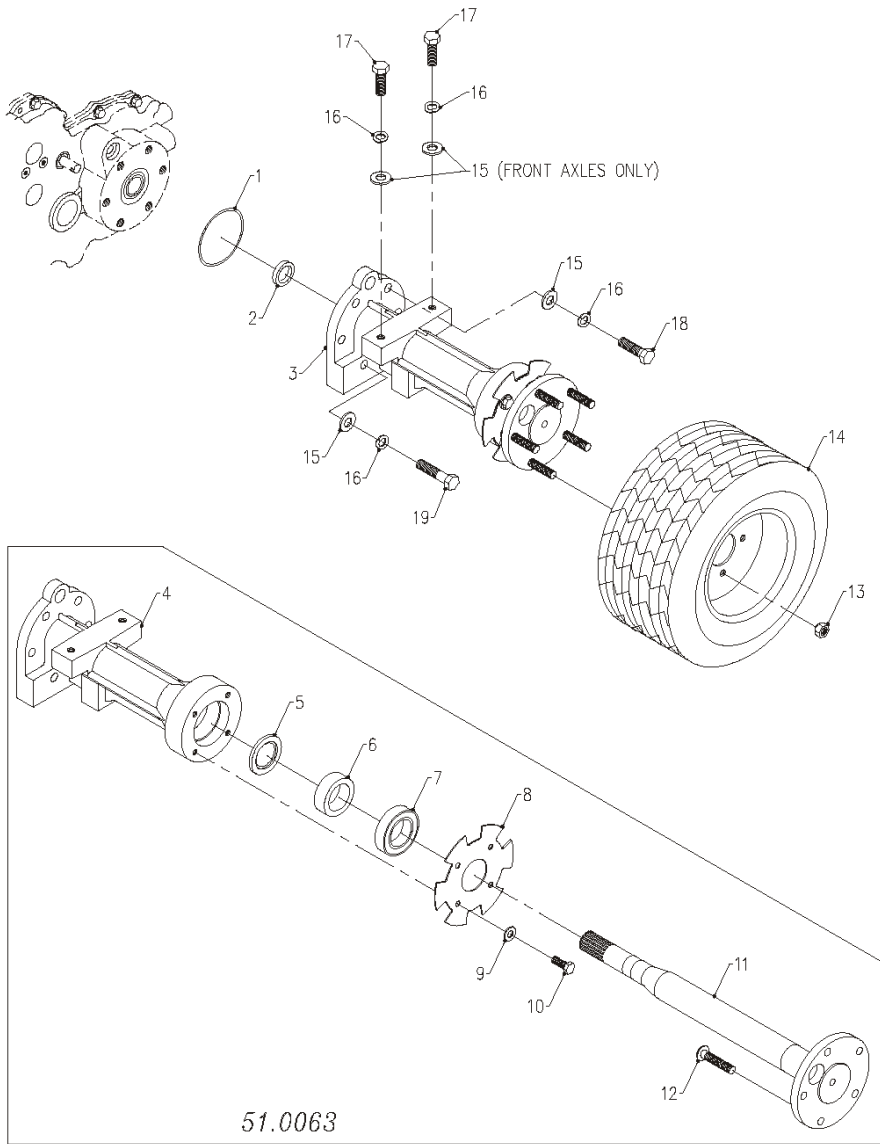
REAR TRANSAXLE & HYDRAULICS

| REF. | PART NO. | DESCRIPTION | QTY. |
|------|-------------------|---|------|
| 1 | 21.0081* | MOTOR, HYD. SUNDSTRAND | 1 |
| 2 | 90.0612 | BOLT, 3/8-16 USS X 1 1/2 | 2 |
| 3 | 96.06 | WASHER, LOCK 3/8 | 2 |
| 4 | 95.06 | WASHER, FLAT 3/8 SAE | 2 |
| 5 | 51.0020 | TRANSAXLE, PEERLESS | 1 |
| 6 | 25.FF6400-08-08 | FITTING, CONNECTOR 8MFF X 8MB (Serial # 2555-3316) | 2 |
| 7 | 25.6801-08-08 | FITTING, 90 ME 1/2 X 1/2 | 1 |
| 8 | 22.0025 | HOSE, ASM X 53" 3/8 PUSHLOCK | 1 |
| 9 | 20.0223 | HOSE,ASM 1/2IDX77 SSBRAID-PTFE (Serial # 2555-3316) | 1 |
| 9 | 20.0291 | HOSE, ASM 1/2 ID X 75 SS BRAID (Serial # 3317-3482) | 1 |
| 9 | 20.0276 | HOSE, 1/2x48.50 SS BRAID PTFE (Serial # 3483-) | 1 |
| 10 | 20.0224 | HOSE,ASM 1/2IDX65 SSBRAID-PTFE (Serial # 2555-3316) | 1 |
| 10 | 20.0290 | HOSE, 1/2x63.00 SS BRAID PTFE (Serial # 3317-3482) | 1 |
| 10 | 20.0275 | HOSE, 1/2x53.50 SS BRAID PTFE (Serial # 3483-) | 1 |
| 11 | 23.0111-1 | VALVE, HY 2 SPL W/LH FLT,RH SP | 1 |
| 12 | 25.6400-06-08 | FITTING, M CONN 3/8 X 1/2 | 2 |
| 13 | 25.6400-06-06 | FITTING, M CONN 3/8 X 3/8 | 4 |
| 14 | 20.0222 | HOSE,ASM 3/8X55 CPE SAE100R1AT | 1 |
| 15 | 20.0213 | HOSE, ASM C 1/4 X 46"-2750 | 1 |
| 17 | 44.0224 | SLEEVE, HOSE PROTECTOR 6" (Serial # 2555-3225) | 1 |
| 17 | 44.0258 | SLEEVE, HOSE PROTECTOR 8" (Serial # 3226-) | 3 |
| 18 | 20.0220 | HOSE,ASM 3/8X32 CPE SAE100R1AT | 1 |
| 19 | 20.0219 | HOSE,ASM 3/8X40 CPE SAE100R1AT | 1 |
| 20 | 25.2501-06-08 | FITTING, 90 ME 3/8 X 1/2 (Serial # 2555-3482) | 2 |
| 20 | 25.6801-06-08 | FITTING, 90 ME 3/8 X 1/2 (Serial # 3483-) | 2 |
| 21 | 99.SF0404 | BOLT, SF 1/4-20 X 1/2 | 2 |
| 22 | 21.0082 | FILTER, HEAD 1/2" NPT PORT (Serial # 2555-3482) | 1 |
| 22 | 21.0115 | FILTER, HEAD 08 SAE PORT (Serial # 3483-) | 1 |
| 23 | 21.0078 | FILTER, HYDRAULIC 10 MICRON | 1 |
| 24 | 25.6408-H-10 | FITTING, -10 MORB X ALLEN | 1\ |
| 25 | 29.P12G | PIPE, PLUG 3/4" GALV. SQ ZP | 1 |
| 26 | 04.0015 | SNAP RING, EXT .039 X .588 | 1 |
| 27 | 87.0165 | GEAR, PINION MOTOR TO AXLE | 1 |
| 28 | 26.0012 | O-RING, 3 X 3-1/8 X 1/16 (Serial # 2555-2588) | 1 |
| 29 | 26.0009 | O-RING, .070 X .489 ID 90D | A/R |
| 33 | 30.0204 | TYTON TIE, #50 .190 X 12" | 10 |
| 34 | 03.0406 | CLEVIS PIN, 1/4 X 3/4 | 2 |
| 35 | 02.CP0204 | COTTER PIN, 1/16 X 1/2 | 2 |
| 38 | 25.FF6801-L-08-08 | FITTING, 90 ELBOW LNG 8MBX8MFF (Serial # 3317-3482) | 1 |
| 39 | 25.FF6801-08-08 | FITTING, 90 ELBOW 8MB X 8MFF (Serial # 3317-) | 1 |
| 40 | 25.FF6500-08-08 | FITTING, 90 ELBOW 8MFF X 8FSX (Serial # 3483-) | 1 |
| 41 | 20.0116 | HOSE, ASM X 56" 1/4-1W #6 (Serial # 2555-3482) | 1 |
| 41 | 20.0137 | HOSE, 1/4x60.00 SAE 100R17 AR (Serial # 3483-) | 1 |
| 42 | 20.0116 | HOSE, ASM X 56" 1/4-1W #6 (Serial # 2555-3482) | 1 |
| 42 | 20.0139 | HOSE, 1/4x58.00 SAE 100R17 AR (Serial # 3483-) | 1 |
| 43 | 20.0294 | HOSE, 1/4x54.50 SAE 100R17 AR | 1 |
| 44 | 25.FF6400-08-08 | FITTING, CONNECTOR 8MFF X 8MB (Serial # 3483-) | 1 |
| 45 | 26.0027 | O-RING, 5/8ID X 13/16OD X 3/32 | 4 |
| 46 | 23.0111-7 | KIT, SPOOL FLOAT HYD. VALVE | 1 |
| 47 | 23.0111-8 | CAP, VALVE | 1 |

*The shaft seal in the rear motor MUST NOT be removed.

HYDRAULICS, AXLES, & WHEELS

ILLUSTRATED DRAWING AXLE & TIRE



HYDRAULICS, AXLES, & WHEELS

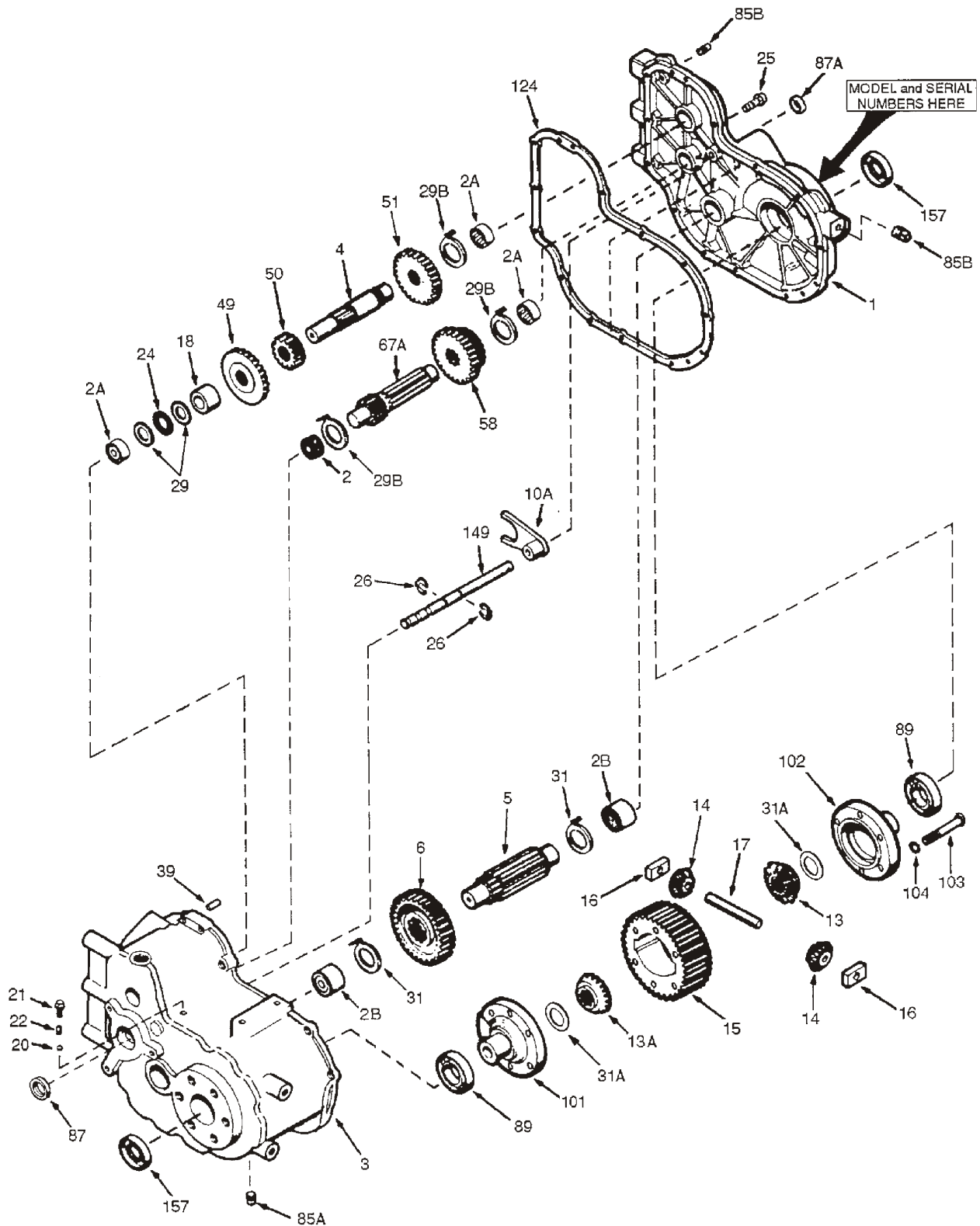
AXLE & TIRE

| REF. | PART NO. | DESCRIPTION | QTY. |
|------|-----------|---------------------------------|------|
| 1 | 26.0024 | O-RING, 3-1/8 X 3-3/8 X 1/8 | 4 |
| 2 | 51.0022 | SPACER, AXLE FOR HOUSING ASSY | 4 |
| 3 | 51.0063 | AXLE, ASM 40MM FORGED SHAFT | 4 |
| 4 | 51.0063-1 | HOUSING, AXLE PEERLESS KT | 4 |
| 5 | 89.0074 | SEAL, OIL PEERLES AXLE 51.0063 | 4 |
| 6 | 51.0063-3 | SPACER, AXLE PEERLESS KT | 4 |
| 7 | 55.0063 | BEARING, AXLE PEERLEES 51.0063 | 4 |
| 8 | 51.0063-4 | PLATE, COVER PEERLESS AXLE | 4 |
| 9 | 95.06 | WASHER, FLAT 3/8 SAE | 16 |
| 10 | 90.0608 | BOLT, 3/8-16 USS X 1 | 16 |
| 11 | 51.0063-2 | SHAFT, AXLE ASM PEERLESS | 4 |
| 12 | 99.K0100 | BOLT, 7/16-20 X 2-1/8 | 20 |
| 13 | 99.E0044 | NUT, LUG 7/16-20 SAE | 20 |
| 14 | 53.0077* | WHEEL, ASM 22 X 12 X 8 X 5B | 4 |
| 14 | 53.0101-L | WHEEL, ASM 21 X 11 X8 X 5B BAR. | 2 |
| 14 | 53.0101-R | WHEEL, ASM 21 X 11 X8 X 5B BAR. | 2 |
| 14 | 53.0137 | WHEEL, ASM 22x11x10x5B TURF | 4 |
| 15 | 95.08 | WASHER, FLAT 1/2 SAE | 28 |
| 16 | 96.08 | WASHER, LOCK 1/2 | 32 |
| 17 | 90.0812 | BOLT, 1/2-13 USS X 1 1/2 | 8 |
| 18 | 90.0814 | BOLT, 1/2-13 USS X 1 3/4 | 24 |
| 19 | 90.0818 | BOLT, 1/2-13 USS X 2 1/4 | 8 |
| 30 | 53.0090 | RIM, 8 X 8.5, 5 ON 4.5 BC | 1 |
| 31 | 53.0089 | TIRE, FIELD 22 X 12 X 8-NO RIM | 1 |
| 35 | 53.0090 | RIM, 8 X 8.5, 5 ON 4.5 BC | 1 |
| 36 | 53.0114 | TIRE, BAR 21X11X8 NO RIM | 1 |
| 40 | 53.0090 | RIM, 8 X 8.5, 5 ON 4.5 BC | 1 |
| 41 | 53.0114 | TIRE, BAR 21X11X8 NO RIM | 1 |
| 45 | 53.0138 | RIM, 10 X 7 - 5 ON 4.5 BC | 1 |
| 46 | 53.0112 | TIRE, TURFMASTR 22X11X10 NO RIM | 1 |
| 50 | 53.0142 | TUBE, INNER 22 X 12 X 8 | 4 |

*53.0077 is the standard wheel assembly.

HYDRAULICS, AXLES, & WHEELS

ILLUSTRATED DRAWING MODEL 2600 TRANSAXLE



HYDRAULICS, AXLES, & WHEELS

MODEL 2600 TRANSAXLE

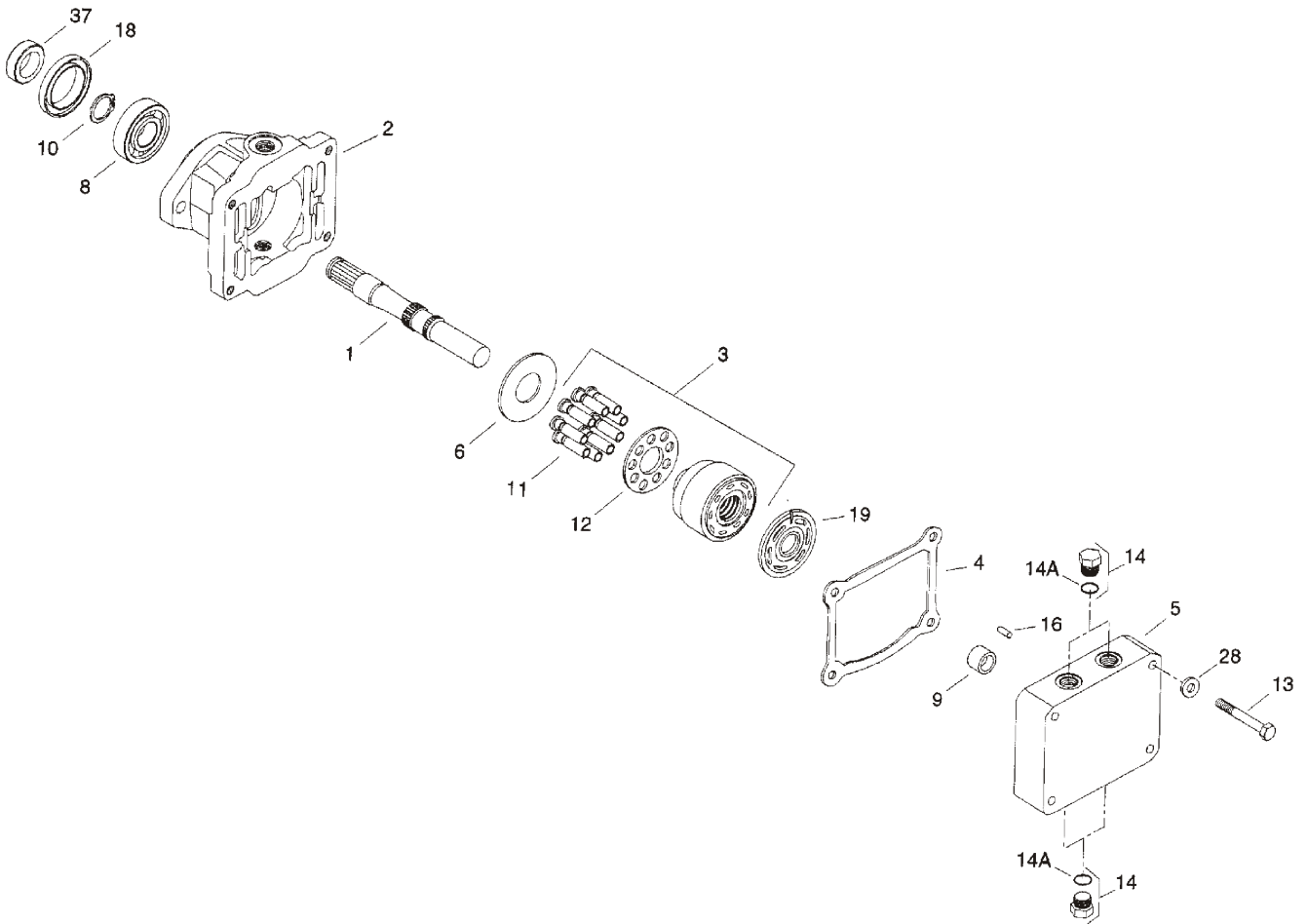
| REF. | PART NO. | DESCRIPTION | QTY. |
|------|----------|---|------|
| | 51.0020 | TRANSAXLE, PEERLESS. | |
| 1 | 51.0026 | COVER, 2600 TRANSAXLE (Includes 2A & 2B)* | 1 |
| 2 | 55.0037 | BEARING, 2600 NEEDLE 1.000 ID | 1 |
| 2A | 55.0038 | BEARING, 2600 NEEDLE 1.000 ID | 3 |
| 2B | 55.0041 | BEARING, 2600 NEEDLE 1.250 ID | 2 |
| 3 | 51.0025 | CASE, 2600 TRANSAXLE | 1 |
| 10A | 51.0030 | FORK, 2600 SHIFT. | 1 |
| 13 | 51.0031 | GEAR, 2600 BEVEL | 1 |
| 13A | 51.0031 | GEAR, 2600 BEVEL | 1 |
| 14 | 51.0033 | PINION, 2600 BEVEL | 2 |
| 24 | 51.0085 | BEARING, THRUST 1.002 ID X .0781W | 1 |
| 29 | 51.0084 | WASHER, THRUST 1.002 ID X .061W | 2 |
| 29B | 51.0032 | WASHER, 2600 THRUST | 3 |
| 31 | 51.0082 | WASHER, THRUST 1.252 ID x .058W | 2 |
| 31A | 51.0028 | WASHER, 2600 THRUST | 2 |
| 39 | 51.0029 | PIN, DOWEL 2600 5/16 X 3/4 | 2 |
| 87 | 89.0046 | SEAL, BRAKE SHAFT OIL | 1 |
| 87A | 89.0047 | SEAL, SHIFTER ROD OIL | 1 |
| 89 | 55.0039 | BEARING, 2600 NEEDLE 1.5743 ID | 1 |
| 124 | 89.0051 | GASKET, CASE | 1 |
| 149 | 51.0027 | ROD, 2600 SHIFT (HIGH/LOW) | 1 |
| 157 | 89.0049 | SEAL, OIL - AXLE PEERLESS. | 2 |

Listed items are stocked. Check for availability of unlisted parts.

*#2 brake shaft bearing must be ordered separately.

HYDRAULICS, AXLES, & WHEELS

ILLUSTRATED DRAWING MODEL 15 MOTOR



HYDRAULICS, AXLES, & WHEELS

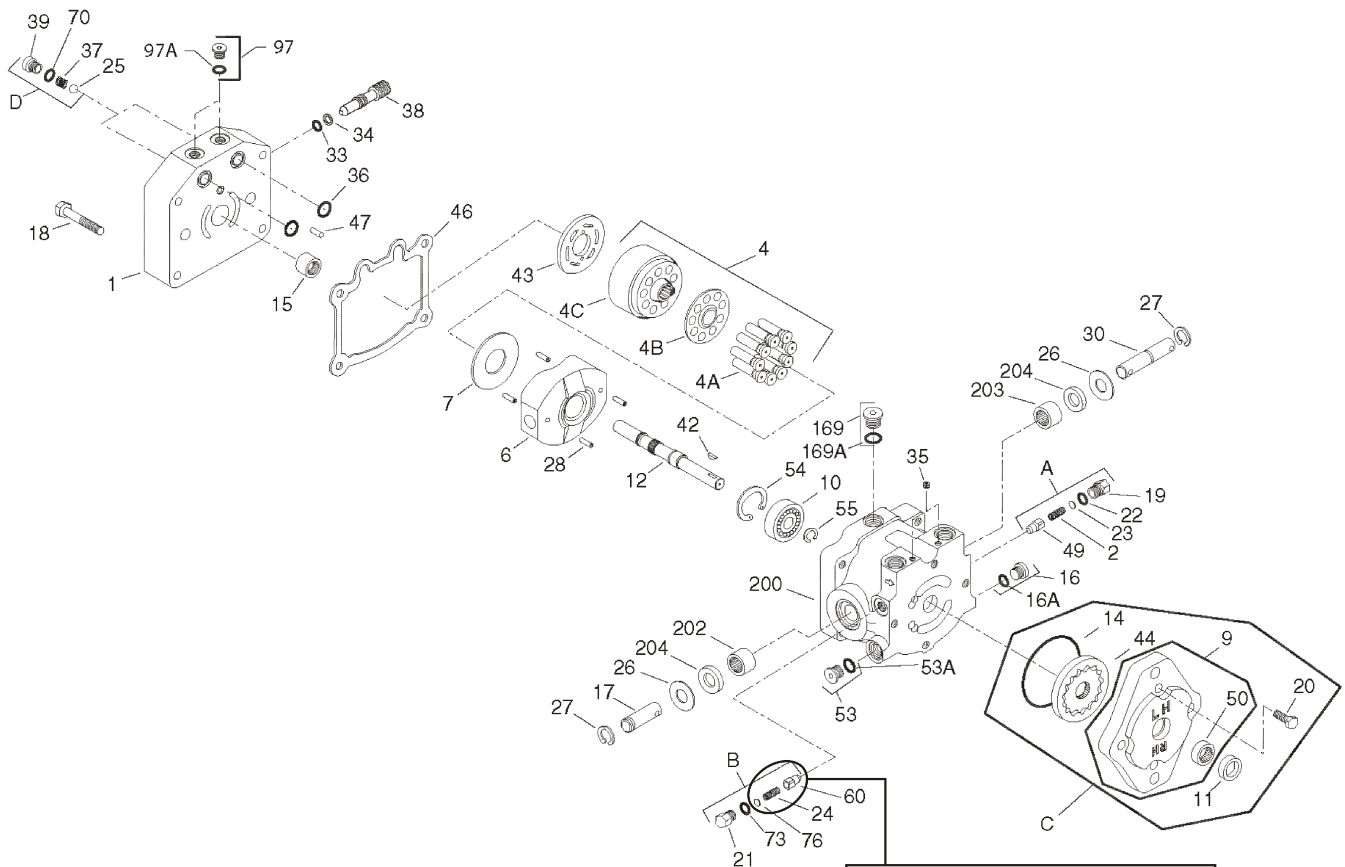
MODEL 15 MOTOR

| REF. | PART NO. | DESCRIPTION | QTY. |
|------|------------|--------------------------------|------|
| 3 | 21.0099 | KIT, CYL BLOCK SUNDSTRAND | 1 |
| 4 | 89.0055 | GASKET, MOTOR 2 BOLT FLANGE | 1 |
| 6 | 21.0019 | PLATE, THRUST SUNDSTRAND | 1 |
| 9 | 55.0036 | BEARING, DU SUNDSTRAND | 1 |
| 11 | 21.0099-1 | PISTON, CYLINDER BLOCK | 9 |
| 12 | 21.0099-2 | RETAINER, PISTON CYLINDER BLCK | 1 |
| 14 | 25.6408-08 | FITTING, PLUG 8MB | 4 |
| 14a | 26.0037 | O-RING, -908 FOR MORB-08 VITON | 4 |
| 18 | 89.0062 | SEAL, SHAFT-SERIES 15 MOTOR | 1 |
| 19 | 21.0088 | PLATE, VALVE (MOTOR) | 1 |

Listed items are stocked. Check for availability of unlisted parts.

HYDRAULICS, AXLES, & WHEELS

ILLUSTRATED DRAWING MODEL 15 PUMP



NOTE: Items 76, 24, & 60 are removed in this application.

Note: Item 200 includes items 202, 203 and 204

HYDRAULICS, AXLES, & WHEELS

MODEL 15 PUMP

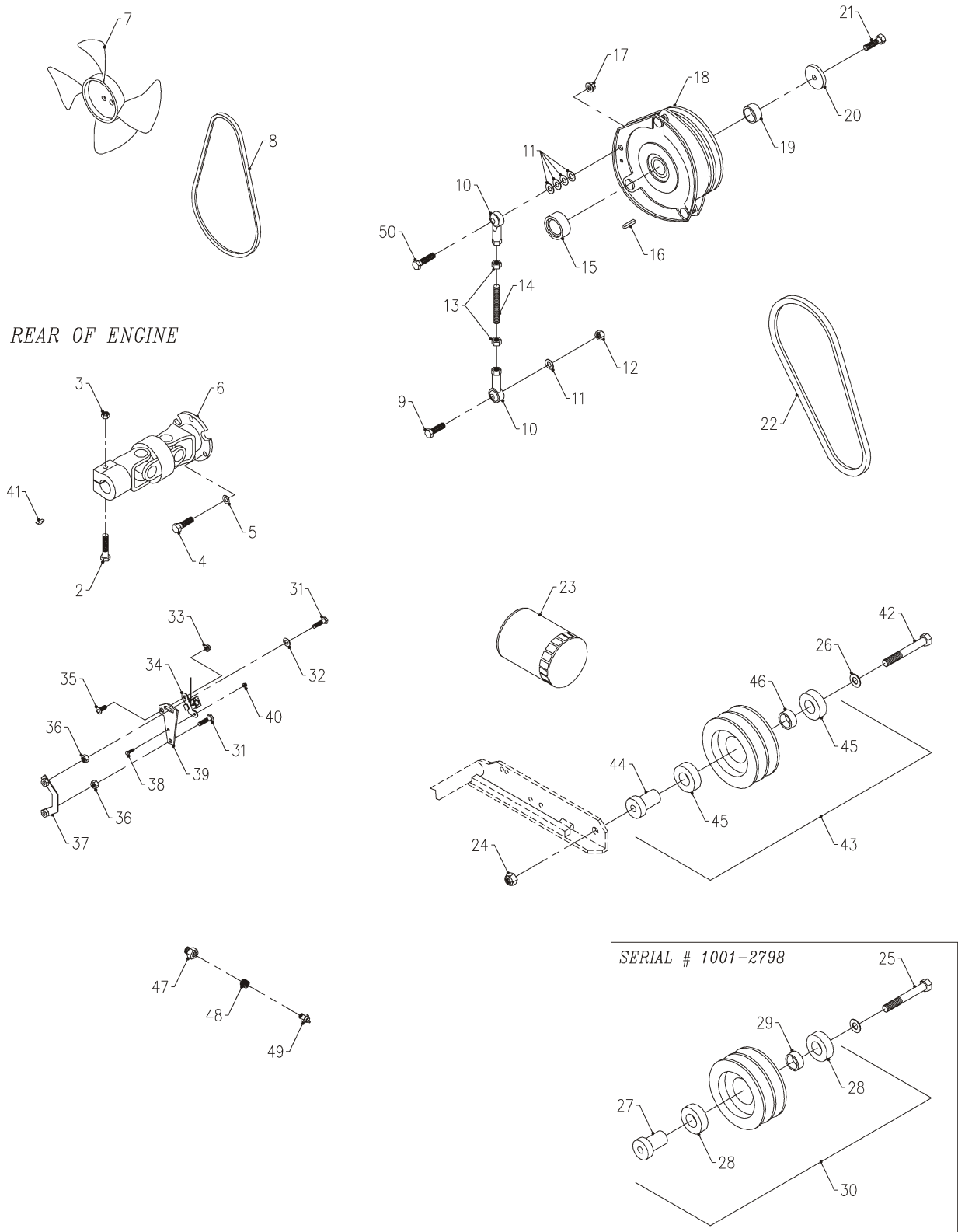
| REF. | PART NO. | DESCRIPTION | QTY. |
|------|-------------|--|------|
| 1. | not stocked | CAP. END | 3 |
| 2. | 21.0087 | SPRING, IMPLEMENT RELIEF | 1 |
| 4. | 21.0099 | KIT, CYL BLOCK SUNDSTRAND | 1 |
| 4a | 21.0099-1 | PISTON, CYLINDER BLOCK | 9 |
| 4b | 21.0099-2 | RETAINER, PISTON CYLINDER BLCK | 1 |
| 4c | not stocked | BLOCK, CYLINDER | 1 |
| 6. | 21.0101 | SWASHPLATE, SUNDSTRAND | 1 |
| 7. | 21.0019 | PLATE, THRUST SUNDSTRAND | 1 |
| 9. | 21.0032 | HOUSING, CHARGE PUMP (PUMP SERIAL # A063910905 OR EARLIER) | 1 |
| 9. | 21.0033 | HOUSING, CHARGE PUMP (PUMP SERIAL # A063910906-) | 1 |
| 10. | 55.0034 | BEARING, BALL SUNDSTRAND | 1 |
| 11. | 89.0052-1 | SEAL, 3/4 SFT X 1 1/4 VITON | 1 |
| 12. | 21.0028 | SHAFT, PUMP 15 PV | 1 |
| 14. | 26.0008 | O-RING, .103 X 3.487 SERIES 15 | 1 |
| 15. | 55.0025 | BEARING, ROLLER .6875 X .937 | 1 |
| 16. | not stocked | PLUG | 1 |
| 16A | 26.0032 | O-RING, FOR #16 PLUG | 1 |
| 17. | 21.0076 | SHAFT, TRUNNION SUNDSTRAND | 1 |
| 18. | not stocked | SCREW | 4 |
| 19. | 21.0089 | PLUG, RELIEF VALVE SUNDSTRAND | 1 |
| 20. | not stocked | SCREW | 4 |
| 21. | not stocked | PLUG | 1 |
| 22. | 26.0013 | O-RING, .072 X .414 SUNDSTRAND | 1 |
| 23. | 21.0093 | SHIM, .020 X 5/16 OD, HI-PRESS | 1 |
| 23. | 21.0094 | SHIM, .010 X 5/16 OD, HI-PRESS | 1 |
| 23. | 21.0106 | SHIM, .005 X 5/16 OD, HI-PRESS | 1 |
| 24. | 41.0091 | SPRING, COMP 1/4"OD X 1" LG | 1 |
| 25. | not stocked | BALL | 2 |
| 26. | 21.0049 | WASHER, .699 X 1.375 X .059 | 2 |
| 27. | 04.0014 | SNAP RING, EXT. 11/16 SFT | 2 |
| 28. | 02.CP0605C | ROLL PIN, 3/16 X 5/8 COILED | 4 |
| 30. | 21.0075 | SHAFT, TRUNNION-CTRL-SERIES 15 | 1 |
| 33. | 26.0025 | O-RING, -.012 FOR MORF-06 VITON | 1 |
| 34. | 04.0039 | RING, BACKUP | 1 |
| 35. | not stocked | PLUG, PIPE | 2 |
| 36. | 26.0009 | O-RING, .070 X .489 ID 90D | 2 |
| 37. | not stocked | SPRING | 2 |
| 38. | 23.0165 | VALVE, BYPASS | 1 |
| 39. | not stocked | PLUG | 2 |
| 42. | 85.W0305 | KEY, WOODRUFF 3/16" X 5/8" | 1 |
| 43. | 21.0026 | PLATE, VALVE (LH) PUMP | 1 |
| 44. | 21.0027 | GEROTOR, ASM PUMP | 1 |
| 46. | 89.0054 | GASKET, PUMP SUNDSTR.SERIES 15 | 1 |
| 47. | not stocked | PIN | 1 |
| 49. | not stocked | CONE, CHARGE RELIEF | 1 |
| 50. | 55.0024 | BEARING, NEEDLE 3/4X1 SERIES15 | 1 |
| 53. | not stocked | PLUG | 1 |
| 53A | 26.0032 | O-RING, FOR #16 PLUG | 1 |
| 54. | not stocked | RING, RETAINING | 1 |
| 55. | not stocked | RING, RETAINING | 1 |
| 60. | not stocked | CONE, CHARGE RELIEF | 1 |
| 70. | 26.0013 | O-RING, .072 X .414 SUNDSTRAND | 2 |
| 73. | 26.0013 | O-RING, .072 X .414 SUNDSTRAND | 1 |
| 76. | 21.0093 | SHIM, .020 X 5/16 OD, HI-PRESS | 1 |
| 76. | 21.0094 | SHIM, .010 X 5/16 OD, HI-PRESS | 1 |
| 76. | 21.0106 | SHIM, .005 X 5/16 OD, HI-PRESS | 1 |
| 97. | not stocked | PLUG | 2 |
| 97A | 26.0035 | O-RING, .904 FOR MORB-04 VITON | 2 |
| 169 | not stocked | PLUG | 1 |
| 169A | 26.0033 | O-RING, FOR #169 PLUG | 1 |
| 200 | not stocked | ASSEMBLY, HOUSING | 1 |
| 202 | 85.B0067 | BUSHING, BEARING JOURNAL | 1 |
| 203 | 85.B0067 | BUSHING, BEARING JOURNAL | 1 |
| 204 | 89.0053-1 | SEAL, .687 SFT X 1.19 VITON | 2 |
| A. | not stocked | KIT, IMPLEMENT RELIEF | 1 |
| B. | not stocked | KIT, CHARGE RELIEF | 1 |
| C | not stocked | KIT, CHARGE PUMP | 1 |
| D | not stocked | KIT, CHECK VALVE | 1 |

Check for availability of non stocked parts.

ENGINE/ENGINE DRIVES

ILLUSTRATED DRAWING KAWASAKI ENGINE & DRIVE

FRONT OF ENGINE



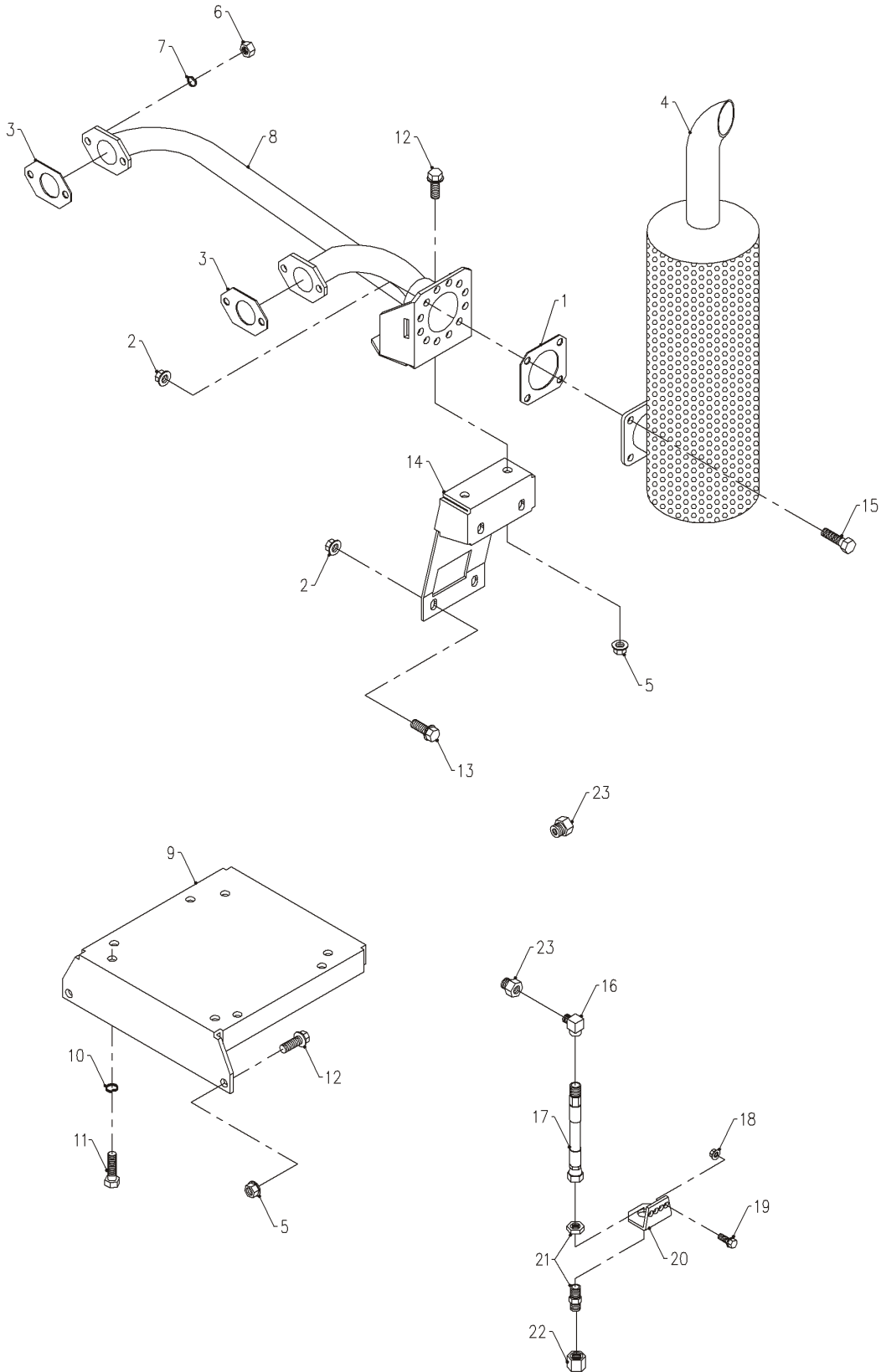
ENGINE/ENGINE DRIVES

KAWASAKI ENGINE & DRIVE

| REF. | PART NO. | DESCRIPTION | QTY. |
|------|---------------|---|------|
| 1 | 13.0170 | ENGINE, KAWASAKI 27 HP (not shown) | 1 |
| 2 | 90.0614 | BOLT, 3/8-16 USS X 1 3/4 | 1 |
| 3 | 99.A06 | LOCKNUT, STOVER 3/8-16 USS | 1 |
| 4 | 99.M0009 | BOLT, M8 X 1.25 P X 25 MM LONG | 3 |
| 5 | 96.05 | WASHER, LOCK 5/16 | 3 |
| 6 | 87.0213 | U-JOINT, FLNG X .75"B 10-1/16L | 1 |
| 7 | 13.0189 | FAN, KAWASAKI 27HP 11" | 1 |
| | 13.0200 | FAN, REVERSE FLOW 12" (for cold weather only) | 1 |
| 8 | 81.0132 | BELT, FAN KAWASAKI | 1 |
| 9 | 90.0610 | BOLT, 3/8-16 USS X 1 1/4 | 1 |
| 10 | 43.006 | ROD END, 3/8 SPHERICAL | 2 |
| 11 | 95.06 | WASHER, FLAT 3/8 SAE | 5 |
| 12 | 99.A06N | LOCKNUT, NYLON 3/8-16 | 1 |
| 13 | 93.06 | NUT, 3/8-24 SAE | 2 |
| 14 | 99.J0624NFZ | THREADED ROD, 3/8 SAE X 3" | 1 |
| 15 | 64.1172 | SPACER, CLUTCH INNER | 1 |
| 16 | 85.K0412 | KEY, 1/4 X 1-1/2 | 1 |
| 17 | 99.E0082 | NUT, LOCKING FLANGE 3/8-16 | 1 |
| 18 | 37.0018 | CLUTCH, ELECTRIC OGURA | 1 |
| 19 | 64.1079 | BUSHING, 1-1/8 X 1-3/4 X 9/16 | 1 |
| 20 | 99.B0065 | WASHER, 1/4X1-3/4 X 13/32 HOLE | 1 |
| 21 | 99.M0017 | BOLT, M10 X 1.5 X 35 MM | 1 |
| 22 | 81.B038 | BELT, B38 | 1 |
| 23 | 13.0063 | FILTER, ENGINE OIL KAWASAKI | 1 |
| 24 | 99.A08 | LOCKNUT, STOVER 1/2-13 USS | 1 |
| 25 | 90.0824 | BOLT, 1/2-13 USS X 3 (Serial # 2555-2798) | 1 |
| 26 | 94.08 | WASHER, FLAT 1/2 USS | 1 |
| 27 | 86.0040 | BUSHING, PTO PULLEY (Serial # 2555-2798) | 1 |
| 28 | 55.0030 | BEARING, PULLEY 1" X 2" (Serial # 2555-2798) | 2 |
| 29 | 85.B0069 | BUSHING, 1.03 ID X 1.25 OD X.5 (Serial # 2555-2798) | 1 |
| 30 | 83.0032 | PULLEY, DOUBLE IDLER ASM (Serial # 2555-2798) | 1 |
| 31 | 90.0408 | BOLT, 1/4-20 USS X 1 | 2 |
| 32 | 95.04 | WASHER, FLAT 1/4 SAE | 1 |
| 33 | 99.SF04 | NUT, SF 1/4-20 USS | 1 |
| 34 | 13.0162 | TRIGGER, IGNITION | 1 |
| 35 | 99.K0063 | BOLT, BUT HD SOCK SS 1/4 X 1/2 | 1 |
| 36 | 92.05 | NUT, 5/16-18 USS | 2 |
| 37 | 64.0986 | BRACKET, TACH PICKUP MOUNTING | 1 |
| 38 | 99.K0041 | MACHINE SCREW, #8-32 X 1/2 | 1 |
| 39 | 64.0962 | PLATE, TRIGGER MOUNT KAW KT | 1 |
| 40 | 99.E0062 | NUT, SF#8-32 | 1 |
| 41 | 85.W0305 | KEY, WOODRUFF 3/16" X 5/8" | 1 |
| 42 | 90.0826 | BOLT, 1/2-13 USS X 3 1/4 (Serial # 2799-) | 1 |
| 43 | 83.0054 | PULLEY, IDLER ASM DBL 5.375 OD (Serial # 2799-) | 1 |
| 44 | 85.B0084 | BUSHING, DRIVE IDLER (Serial # 2799-) | 1 |
| 45 | 55.0064 | BEARING, DRIVE IDLER 83.0054 (Serial # 2799-) | 2 |
| 46 | 85.B0085 | BUSHING, BEARING SPACER (Serial # 2799-) | 1 |
| 47 | 14.0015 | ADAPTER, ENG OIL DRAIN PLUG | 1 |
| 48 | 25.5406-04-02 | FITTING, BUSHING 1/4 X 1/8 | 1 |
| 49 | 13.0075 | SENDING UNIT, TEMP 250 DEG | 1 |
| 50 | 90.0612 | BOLT, 3/8-16 USS X 1 1/2 | 1 |

ENGINE/ENGINE DRIVES

ILLUSTRATED DRAWING KAWASAKI ENGINE MOUNT & EXHAUST



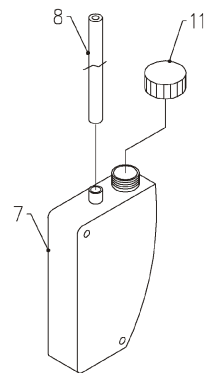
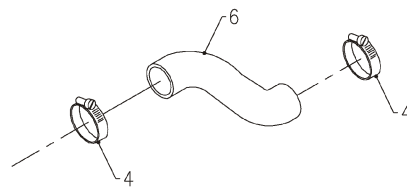
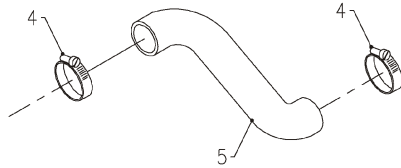
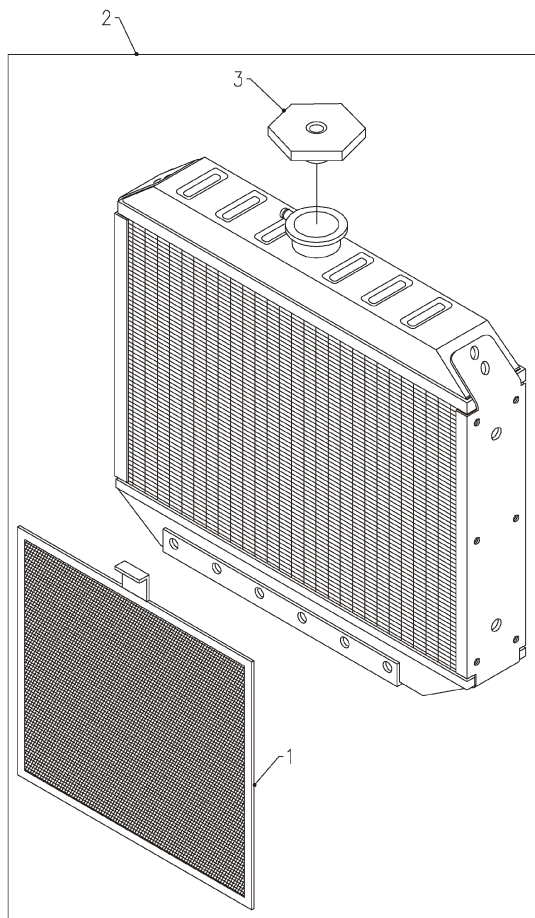
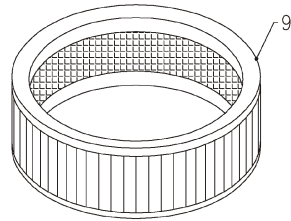
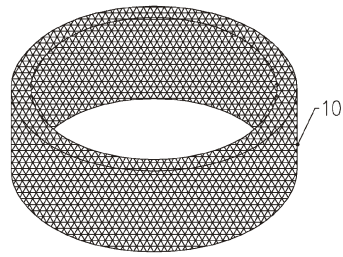
ENGINE/ENGINE DRIVES

KAWASAKI ENGINE MOUNT & EXHAUST

| REF. | PART NO. | DESCRIPTION | QTY. |
|------|-----------------|---------------------------------|------|
| 1 | 13.0173 | GASKET, EXHAUST/MUFFLER VANG | 1 |
| 2 | 99.SF05 | NUT, SF 5/16-18 USS | 8 |
| 3 | 13.0197 | GASKET, EXHAUST KAW 27HP. | 2 |
| 4 | 13.0171 | MUFFLER, W/HEAT SHIELD&PIPE | 1 |
| 5 | 99.SF06 | NUT, SF 3/8-16 USS | 7 |
| 6 | 99.M0008 | NUT, M8 X 1.25 MMP ZP. | 4 |
| 7 | 96.05 | WASHER, LOCK 5/16 | 4 |
| 8 | 64.0943 | MANIFOLD, EXHAUST/KAW 27HP | 1 |
| 9 | 62.0905 | MOUNT, ENGINE-KAWASAKI KT | 1 |
| 10 | 96.06 | WASHER, LOCK 3/8 | 4 |
| 11 | 99.M0012 | BOLT, M10 X 1.5 X 25 MM | 4 |
| 12 | 99.SF0608 | BOLT, SF 3/8-16 USS X 1 | 7 |
| 13 | 99.SF0506 | BOLT, SF 5/16-18 USS X 3/4 | 4 |
| 14 | 64.0949 | SUPPORT, MUFFLER MOUNT-SHORT | 1 |
| 15 | 90.0508 | BOLT, 5/16-18 USS X 1 | 4 |
| 16 | 25.5502-04-04 | FITTING, 90 MFE 1/4 X 1/4 | 1 |
| 17 | 22.0027 | HOSE, ASM X 8" 3/8 PLOCK | 1 |
| 18 | 99.SF04 | NUT, SF 1/4-20 USS | 2 |
| 19 | 99.SF0406 | BOLT, SF 1/4-20 X 3/4 | 2 |
| 20 | 64.0918 | BRACKET, OIL DRAIN KT | 1 |
| 21 | 25.2700-06-06LN | FITTING, BULKHEAD 3/8 W/LOCNUT. | 1 |
| 22 | 25.304-C-06 | FITTING, CAP 3/8 #6 JIC | 1 |
| 23 | 14.0015 | ADAPTER, ENG OIL DRAIN PLUG | 2 |

ENGINE/ENGINE DRIVES

ILLUSTRATED DRAWING KAWASAKI COOLING SYSTEM & AIR FILTERS



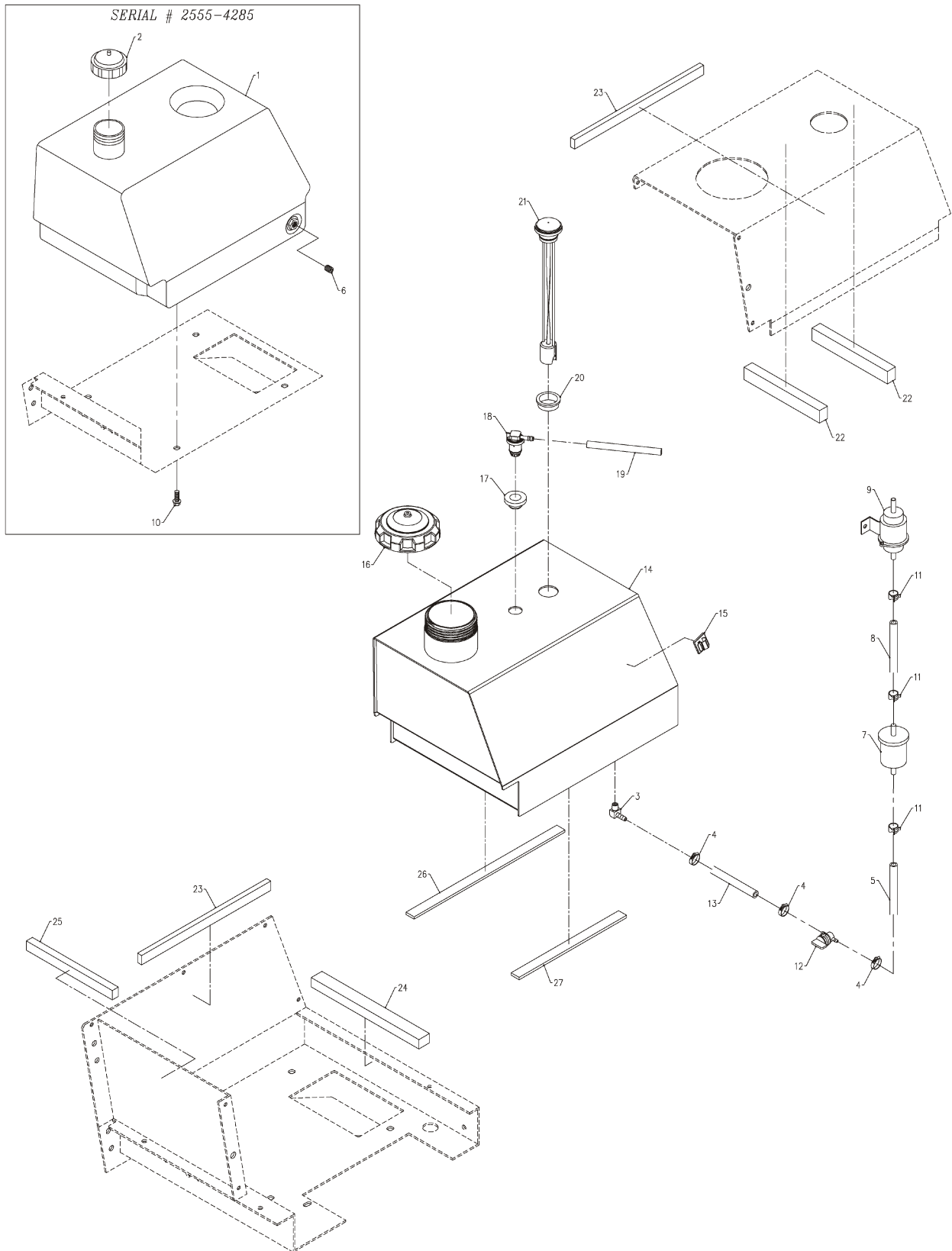
ENGINE/ENGINE DRIVES

KAWASAKI COOLING SYSTEM & AIR FILTERS

| REF. | PART NO. | DESCRIPTION | QTY. |
|------|-------------|--|------|
| 1 | 47.0205 | SCREEN, RADIATOR KAW 27HP | 1 |
| 2 | 47.0206 | RADIATOR, ASM KAW 27HP (Includes Screen) | 1 |
| 3 | 47.0160 | CAP, RADIATOR KAW | 1 |
| 4 | 11.0052 | CLAMP, HOSE SS 13/16 X 1-1/2 | 4 |
| 5 | 13.0188 | HOSE, RADIATOR UPPER KAW 27HP | 1 |
| 6 | 13.0187 | HOSE, RADIATOR LOWER KAW 27HP | 1 |
| 7 | 47.0207 | TANK, COOLANT RECOVER KAW 27HP | 1 |
| 8 | 27.A04-15IN | HOSE, NEOP BLACK 1/4 X 7/16 X 15" | 1 |
| 9 | 13.0193 | FILTER, AIR ELEMENT INNER | 1 |
| 10 | 13.0192 | FILTER, AIR ELEMENT OUTER | 1 |
| 11 | 47.0277 | CAP, COOLANT RECOVERY TANK KAW | 1 |

ENGINE/ENGINE DRIVES

ILLUSTRATED DRAWING KAWASAKI FUEL SYSTEM



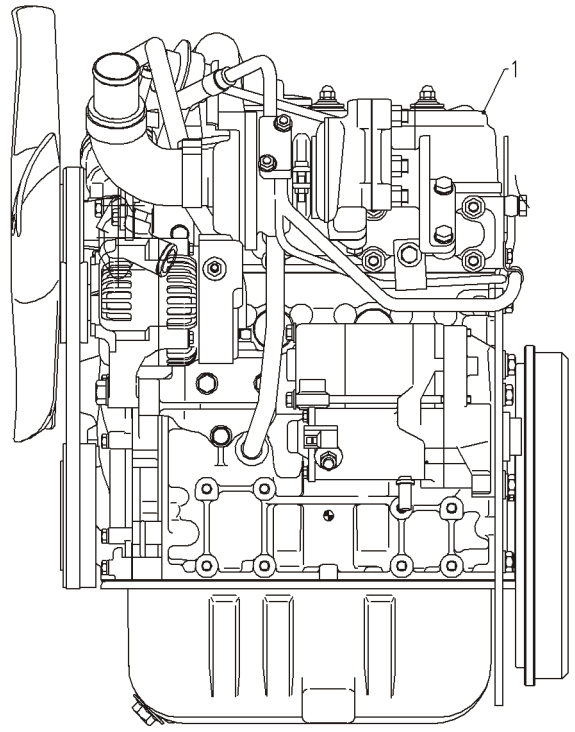
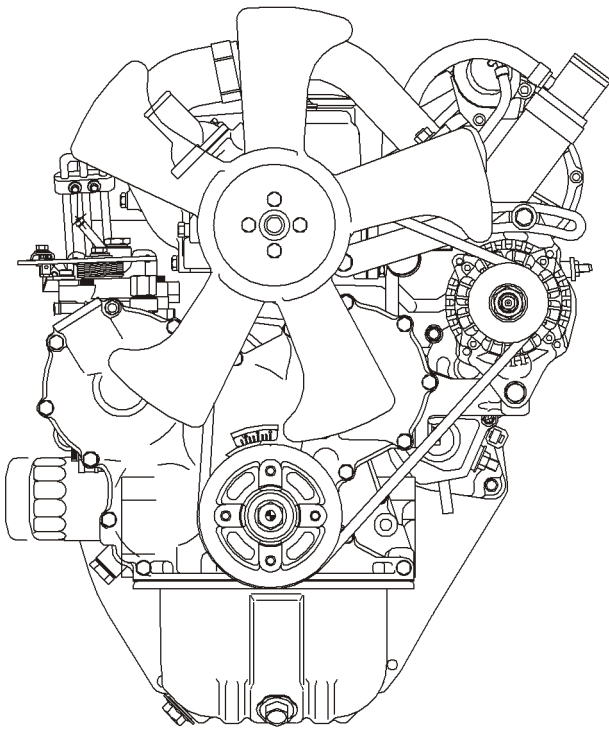
ENGINE/ENGINE DRIVES

KAWASAKI FUEL SYSTEM.

| REF. | PART NO. | DESCRIPTION | QTY. |
|------|-----------------|---|------|
| 1 | 47.0249 | TANK, FUEL 7.25 GAL KT41-4200 (Serial # 2555-4285) | 1 |
| 2 | 47.0144 | CAP, GAS 3-1/2" (Serial # 2555-4285) | 1 |
| 3 | 29.BF05MP0290-1 | FITTING B. 5/16 BRB 1/8 NPT 90 | 1 |
| 4 | 11.0038 | CLAMP, HOSE S/S 7/32 - 5/8 | 3 |
| 5 | 27.F05-1-71IN | HOSE, FUEL LINE 5/16" LOW PERM X 71" (Serial # 2555-2927) | 1 |
| 5 | 27.F05-1-61IN | HOSE, FUEL LINE 5/16" LOW PERM X 61" (Serial # 2928-) | 1 |
| 6 | 29.P02-1 | PIPE, PLUG 1/8 HEX SOCKET ZP (Serial # 2555-4285) | 1 |
| 7 | 13.0053 | FILTER, FUEL - IN LINE 5/16" | 1 |
| 8 | 27.F05-1-3IN | HOSE, FUEL LINE 5/16" LOW PERM X 3" | 1 |
| 9 | 13.0077 | PUMP, FUEL KAW - X | 1 |
| 10 | 99.SF0504 | BOLT, SF 5/16-18USS X 1/2 (Serial # 2555-4285) | 4 |
| 11 | 11.0048 | CLAMP, HOSEBAND 5/16X9/16 HOSE | 5 |
| 12 | 47.0265 | VALVE, FUEL SHUT-OFF (Serial # 2928-) | 1 |
| 13 | 27.F05-1-10IN | HOSE, FUEL LINE 5/16" LOW PERM X 10" (Serial # 2928-) | 1 |
| 14 | 47.0304 | TANK, FUEL STEEL KT4100/4200 (Serial # 4286-) | 1 |
| 15 | 30.0226 | CLAMP, WIRE MT ADH. 3/8 GRAY (Serial # 4286-) | 1 |
| 16 | 47.0309 | CAP, 3-1/2" UNVENTED GAS (Serial # 4286-) | 1 |
| 17 | 05.0128 | GROMMET, FOR 29.0094 (Serial # 4286-) | 1 |
| 18 | 29.0094 | VENT, FUEL TANK BREATHER (Serial # 4286-) | 1 |
| 19 | 27.F03-96IN | HOSE, FUEL LINE X 3/16 X 96" (Serial # 4286-) | 1 |
| 20 | 05.0129 | GROMMET, FOR 35.0116 (Serial # 4286-) | 1 |
| 21 | 35.0116 | GAUGE, FUEL LEVEL (Serial # 4286-) | 1 |
| 22 | 06.0074-7IN | WEATHERSTRIP, 1" X 3/4" X 7" (Serial # 4286-) | 2 |
| 23 | 06.0055-12IN | WEATHERSTRIP, 3/8 X 3/4 X 12" (Serial # 4286-) | 2 |
| 24 | 06.0074-10IN | WEATHERSTRIP, 1" X 3/4" X 10" (Serial # 4286-) | 1 |
| 25 | 06.0053-8IN | WEATHERSTRIP, 9/16 X 3/4 X 8" (Serial # 4286-) | 1 |
| 26 | 06.0047-14IN | WEATHERSTRIP, 3/16 X 3/4 X 14" (Serial # 4286-) | 1 |
| 27 | 06.0047-10IN | WEATHERSTRIP, 3/16 X 3/4 X 10" (Serial # 4286-) | 1 |

ENGINE/ENGINE DRIVES

ILLUSTRATED DRAWING VANGUARD ENGINE



INDIVIDUAL ENGINE COMPONENTS ARE NOT SHOWN

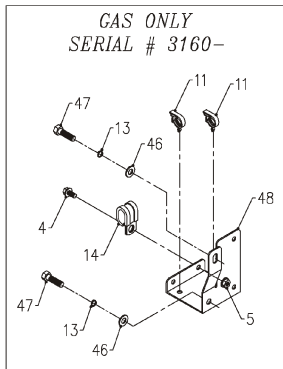
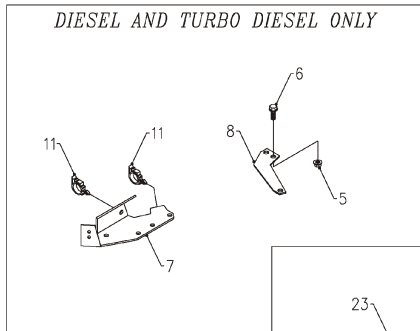
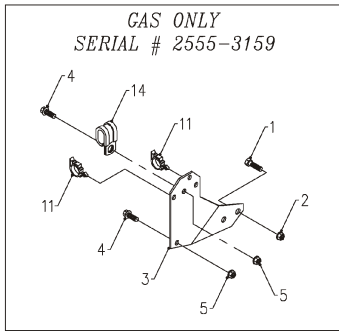
ENGINE/ENGINE DRIVES

VANGUARD ENGINE

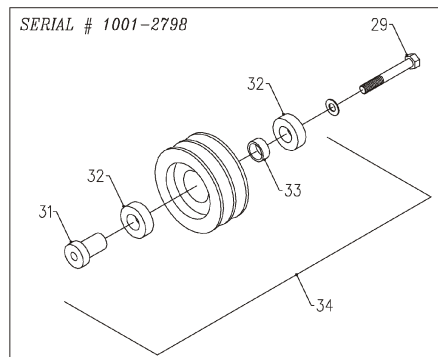
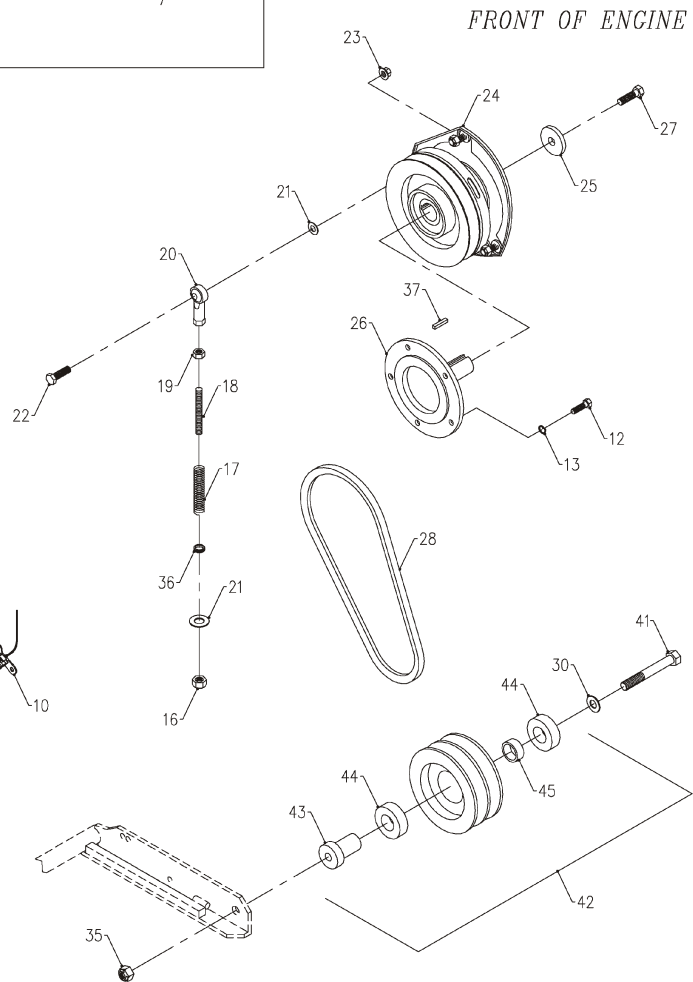
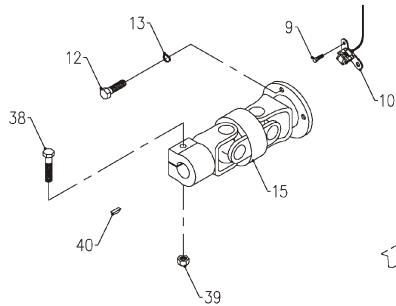
| REF. | PART NO. | DESCRIPTION | QTY. |
|------|------------|--|------|
| 1 | 13.0126 | ENGINE, VANG 26.5 HP LIQ COOL (4226) | 1 |
| 1 | 13.0125 | ENGINE, VANG 31 HP LIQ COOL (4231) | 1 |
| 1 | 13.0168 | ENGINE, VANG TURBO 31HP DSL (4231DT) | 1 |
| 2 | 13.0154 | FAN, VANGUARD 4226, 4231 | 1 |
| 2 | 13.0194 | FAN, VANG TURBO DIESEL 4231DT | 1 |
| 2 | 13.0200 | FAN, REVERSE FLOW 4226, 4231 | 1 |
| 2 | 13.0208 | FAN, PUSHER 330 MM 4231DT | 1 |
| 3 | 81.0133 | BELT, FAN VANG 4226, 4231, 4231DT | 1 |
| 4 | 13.0057 | FILTER, ENGINE OIL-VANGUARD 4226, 4231, 4231DT | 1 |
| 5 | 13.821073 | SEAL, OIL PTO DIESEL 4226, 4231, 4231DT | 1 |
| 6 | 13.821071 | SEAL, MAG OIL 4226, 4231, 4231DT | 1 |
| 7 | 13.821069 | PLUG, CAMSHAFT 4226, 4231, 4231DT | 1 |
| 8 | 13.0163 | GASKET, MANIFOLD 4226, 4231 (before date code 99080200) | 1 |
| 8 | 13.820817 | GASKET, EXHAUST MANIFOLD 4231DT (4226, 4231 after date code 9808100) | 1 |
| 9 | 13.820137 | GASKET, SUMP 4226, 4231, 4231DT | 1 |
| 10 | 13.820093 | GASKET, THERMOSTAT 4226, 4231, 4231DT | 1 |
| 11 | 13.825212 | GASKET SET, ENGINE OVERHAUL 4226 (before date code 99010100) | 1 |
| 11 | 13.825380 | GASKET SET, ENGINE OVERHAUL 4226 (after date code 98123100) | 1 |
| 11 | 13.825378 | GASKET SET, ENGINE OVERHAUL 4231 (after date code 98123100) | 1 |
| 11 | 13.825527 | GASKET SET 4231DT | 1 |
| 12 | 13.820351 | GASKET, HEAD 4226 (before date code 99010100) | 1 |
| 12 | 13.820660 | GASKET, HEAD 4226 (after date code 98123100) | 1 |
| 12 | 13.820648 | GASKET, HEAD 4231 | 1 |
| 12 | 13.820930 | GASKET, HEAD 4231DT | 1 |
| 13 | 13.0158 | GASKET SET, HEAD 4226 (before date code 99010100) | 1 |
| 13 | 13.825381 | GASKET SET, VALVE 4226 (after date code 98123100) | 1 |
| 13 | 13.825379 | GASKET SET, VALVE 4231 | 1 |
| 13 | 13.825528 | GASKET, VALVE SET 4231DT | 1 |
| 14 | 13.820150 | GASKET, VALVE COVER 4226, 4231, 4231DT | 1 |
| 15 | 13.0067 | GLOW PLUG, VANGUARD DIESEL 4226, 4231DT | 3 |
| 16 | 13.821135 | SWITCH, OIL PRESSURE 4226, 4231DT | 1 |
| 17 | 13.0069 | SENDING UNIT, OIL PRESSURE-VAN 4231 | 1 |
| 18 | 13.820208 | SWITCH, WATER TEMP 4226, 4231, 4231DT | 1 |
| 19 | 13.0167 | ALTERNATOR, VANGUARD 4226, 4231 | 1 |
| 19 | 13.825524 | ALTERNATOR, 40 AMP 4231DT | 1 |
| 20 | 13.825388 | REGULATOR, 40 AMP 4226, 4231, 4231DT | 1 |
| 21 | 13.825700 | STARTER, 1.2 KW (Green Label) 4226, 4231DT | 1 |
| 21 | 13.825083 | STARTER, 1.0 KW (Blue Label) 4226, 4231DT | 1 |
| 21 | 13.825095 | STARTER, 8 KW (Red Label) 4231 | 1 |
| 22 | 13.825406 | STARTER, BENDIX 1.2 KW (Green Label) 4226, 4231DT | 1 |
| 22 | 13.820745 | STARTER, DRIVE 1.0KW (Blue Label) 4226, 4231DT | 1 |
| 22 | 13.820789 | STARTER, BENDIX 8 KW (Red Label) 4231 | 1 |
| 23 | 13.825178 | INJECTOR 4226, 4231DT | 3 |
| 24 | 13.0160 | THERMOSTAT, & GASKET VANGUARD 4226, 4231, 4231DT | 1 |
| 25 | 13.825265 | PUMP, WATER 4226 | 1 |
| 25 | 13.825275 | PUMP, WATER 4231 | 1 |
| 25 | 13.825522 | PUMP, WATER 4231DT | 1 |
| 26 | 13.0165 | CAP, OIL FILL VANGUARD 4226, 4231, 4231DT | 1 |
| 27 | 13.491055S | PLUG, SPARK 4231 | 3 |
| 28 | 13.825377 | SOLENOID, FUEL 4231 | 1 |
| 29 | 13.820967 | GASKET, TURBO TO EXHAUST MANIFOLD 4231DT | 1 |
| 30 | 30.0321 | INSULATOR, ALTERNATOR POST | 1 |
| 31 | 13.0075 | SENDING UNIT, TEMP 250 DEG. | 1 |

ENGINE/ENGINE DRIVES

ILLUSTRATED DRAWING VANGUARD DRIVE SHAFT & PTO DRIVE



REAR OF ENGINE



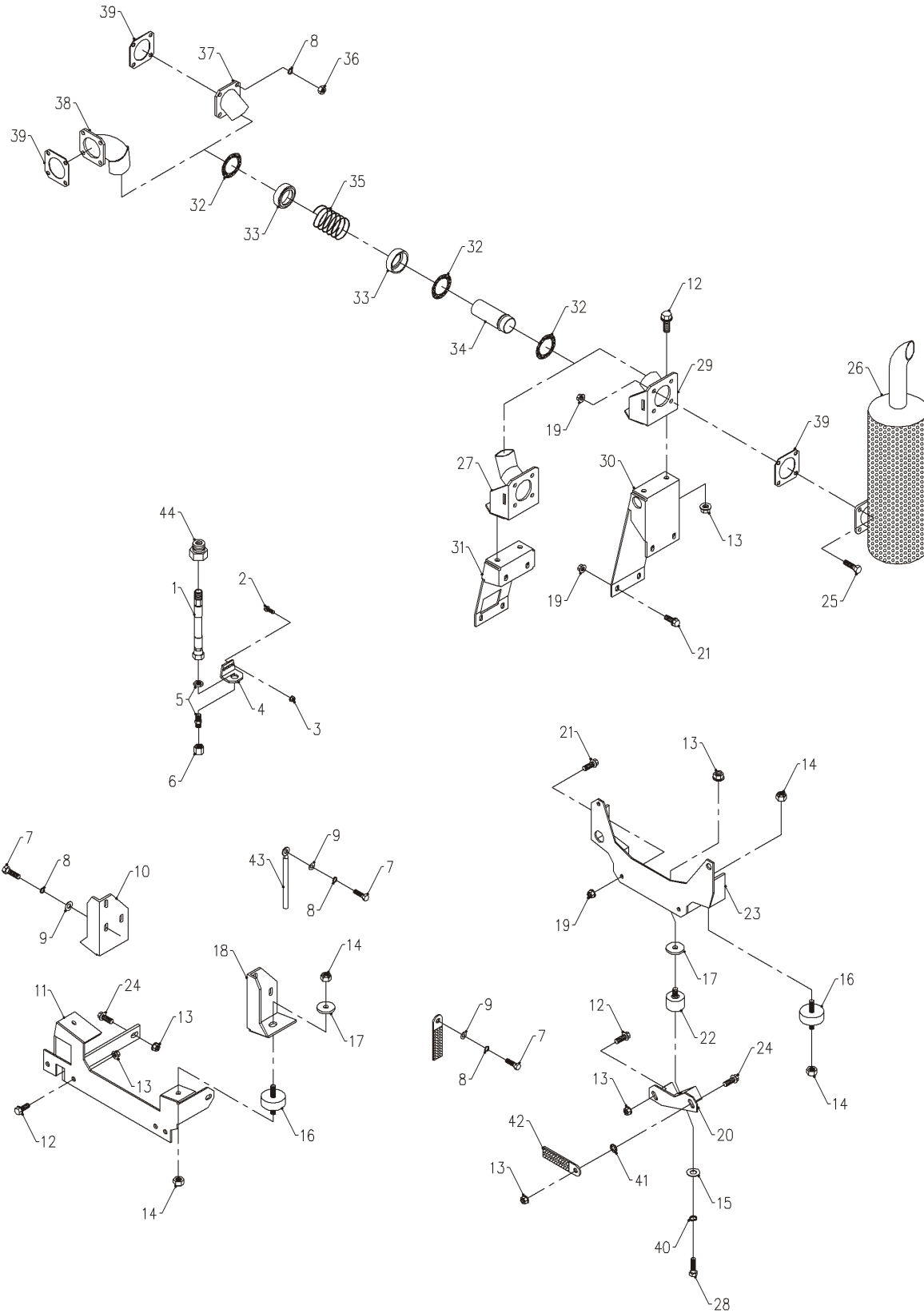
ENGINE/ENGINE DRIVES

VANGUARD DRIVE SHAFT & PTO DRIVE

| REF. | PART NO. | DESCRIPTION | QTY. |
|------|-------------|--|------|
| 1 | 99.SF0506 | BOLT, SF 5/16-18 USS X 3/4 (Serial # 2555-3159) | 2 |
| 2 | 99.SF05 | NUT, SF 5/16-18 USS (Serial # 2555-3159) | 2 |
| 3 | 64.0929 | MOUNT, ELECTRONIC CONTROL BOX (Serial # 2555-3159) | 1 |
| 4 | 99.SF0406 | BOLT, SF 1/4-20 X 3/4 | 2 |
| 5 | 99.SF04 | NUT, SF 1/4-20 USS | 4 |
| 6 | 99.SF0404 | BOLT, SF 1/4-20 X 1/2 | 2 |
| 7 | 64.0948 | MOUNT, THROTTLE CABLE/DLSL | 1 |
| 8 | 40.0300 | LEVER, THROTTLE BAR/DSL VAN | 1 |
| 9 | 99.M0007 | MACHINE SCREW M4 X .7 X 12 | 1 |
| 10 | 13.0162 | TRIGGER, IGNITION | 1 |
| 11 | 30.0136 | CLAMP, LOOM 1/2 ROSEBUD MOUNT | 2 |
| 12 | 99.M0005 | BOLT, M8 X 1.25 P X 20MM | 9 |
| 13 | 96.05 | WASHER, LOCK 5/16 | 11 |
| 14 | 11.0046 | CLAMP, CUSHIONED METAL 1/2" | 1 |
| 15 | 87.0191 | U-JOINT, 6 R DOUBLE CENTER | 1 |
| 16 | 99.A06NFN | LOCKNUT, NYLON 3/8-24 SAE ZP | 1 |
| 17 | 41.0041 | SPRING, COMP 9/16 X 1-3/8L | 1 |
| 18 | 99.J0624NFZ | THREADED ROD, 3/8 SAE X 3" | 1 |
| 19 | 93.06 | NUT, 3/8-24 SAE | 1 |
| 20 | 43.006 | ROD END, 3/8 SPHERICAL | 1 |
| 21 | 95.06 | WASHER, FLAT 3/8 SAE | 2 |
| 22 | 90.0610 | BOLT, 3/8-16 USS X 1 1/4 | 1 |
| 23 | 99.E0082 | NUT, LOCKING FLANGE 3/8-16 | 1 |
| 24 | 37.0018 | CLUTCH, ELECTRIC OGURA | 1 |
| 25 | 99.B0064 | WASHER, 1/4 X 1.75 X .531 HOLE | 1 |
| 26 | 13.0139 | STUB SHAFT, CLUTCH KUB/VANG | 1 |
| 27 | 91.0812 | BOLT, 1/2-20 SAE X 1 1/2 | 1 |
| 28 | 81.B038 | BELT, B38 | 1 |
| 29 | 90.0824 | BOLT, 1/2-13 USS X 3 (Serial # 2555-2798) | 1 |
| 30 | 94.08 | WASHER, FLAT 1/2 USS | 1 |
| 31 | 86.0040 | BUSHING, PTO PULLEY (Serial # 2555-2798) | 1 |
| 32 | 55.0030 | BEARING, PULLEY 1" X 2" (Serial # 2555-2798) | 2 |
| 33 | 85.B0069 | BUSHING, 1.03 ID X 1.25 OD X .5 (Serial # 2555-2798) | 1 |
| 34 | 83.0032 | PULLEY, DOUBLE IDLER ASM (Serial # 2555-2798) | 1 |
| 35 | 99.A08 | LOCKNUT, STOVER 1/2-13 USS | 1 |
| 36 | 05.0047 | GROMMET, 5/16ID,13/16OD,5/16TK | 1 |
| 37 | 85.K0412 | KEY, 1/4 X 1-1/2 | 1 |
| 38 | 90.0614 | BOLT, 3/8-16 USS X 1 3/4 | 1 |
| 39 | 99.A06 | LOCKNUT, STOVER 3/8-16 USS | 1 |
| 40 | 85.W0305 | KEY, WOODRUFF 3/16" X 5/8" | 1 |
| 41 | 90.0826 | BOLT, 1/2-13 USS X 3 1/4 (Serial # 2799-) | 1 |
| 42 | 83.0054 | PULLEY, IDLER ASM DBL 5.375 OD (Serial # 2799-) | 1 |
| 43 | 85.B0084 | BUSHING, DRIVE IDLER (Serial # 2799-) | 1 |
| 44 | 55.0064 | BEARING, DRIVE IDLER 83.0054 (Serial # 2799-) | 2 |
| 45 | 85.B0085 | BUSHING, BEARING SPACER (Serial # 2799-) | 1 |
| 46 | 95.05 | WASHER, FLAT 5/16 SAE (Serial # 3160-) | 2 |
| 47 | 99.M0005 | BOLT, M8 X 1.25 X 20 (Serial # 3160-) | 2 |
| 48 | 64.1441 | MOUNT, IGNITION MODULE (Serial # 3160-) | 1 |

ENGINE/ENGINE DRIVES

ILLUSTRATED DRAWING VANGUARD ENGINE MOUNT & EXHAUST



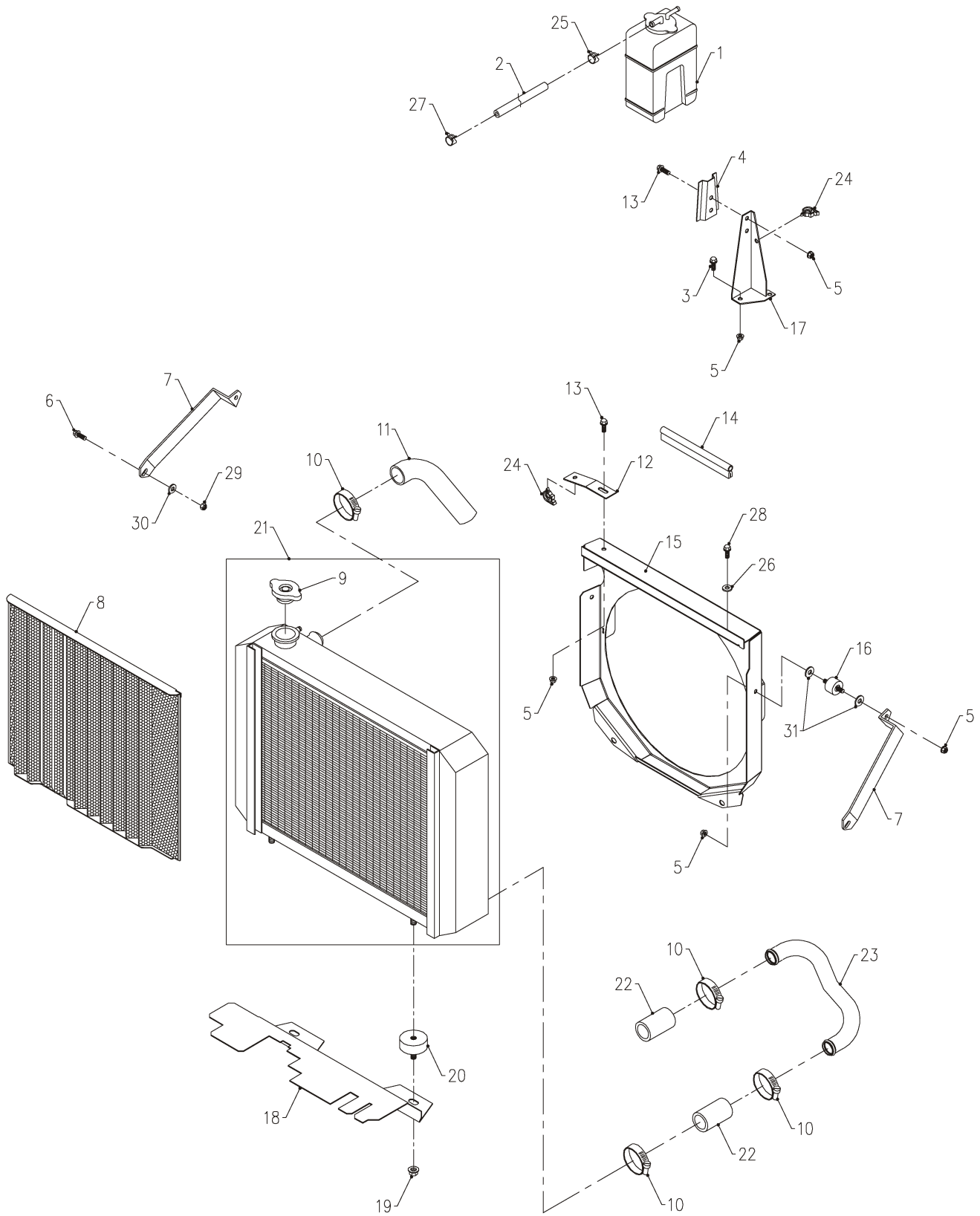
ENGINE/ENGINE DRIVES

VANGUARD ENGINE MOUNT & EXHAUST

| REF. | PART NO. | DESCRIPTION | QTY. |
|------|-----------------|---|------|
| 1 | 22.0027 | HOSE, ASM X 8" 3/8 PLOCK | 1 |
| 2 | 99.SF0406 | BOLT, SF 1/4-20 X 3/4 | 2 |
| 3 | 99.SF04 | NUT, SF 1/4-20 USS | 2 |
| 4 | 64.0918 | BRACKET, OIL DRAIN KT | 1 |
| 5 | 25.2700-06-06LN | FITTING, BULKHEAD 3/8 W/LOCNUT | 1 |
| 6 | 25.304-C-06 | FITTING, CAP 3/8 #6 JIC | 1 |
| 7 | 99.M0005 | BOLT, M8 X 1.25 P X 20MM | 8 |
| 8 | 96.05 | WASHER, LOCK 5/16 | 12 |
| 9 | 95.05 | WASHER, FLAT 5/16 SAE | 8 |
| 10 | 64.0934 | LEG, REAR ENGINE VANG. LEFT KT | 1 |
| 11 | 62.0907 | CROSS MEMBER, REAR-VANG. KT | 1 |
| 12 | 99.SF0606 | BOLT, SF 3/8-16 USS X 3/4 | 8 |
| 13 | 99.SF06 | NUT, SF 3/8-16 USS | 11 |
| 14 | 99.A06N | LOCKNUT, NYLON 3/8-16 | 8 |
| 15 | 95.06 | WASHER, FLAT 3/8 SAE | 1 |
| 16 | 05.0088 | ISOLATOR, 3/8-16 X 2.5 OD X 1" | 4 |
| 17 | 99.B0076 | WASHER, .185 X 13/32ID X 1-5/8 | 3 |
| 18 | 64.0933 | LEG, REAR ENGINE VANG. RT KT | 1 |
| 19 | 99.SF05 | NUT, SF 5/16-18 USS | 11 |
| 20 | 64.0975 | MOUNT, LOWER FRONT ISOLATOR | 1 |
| 21 | 99.SF0506 | BOLT, SF 5/16-18 USS X 3/4 | 7 |
| 22 | 05.0059 | ISOLATOR, 3/8-16 X 1.5 OD X 1 | 1 |
| 23 | 62.0936 | MOUNT, ENGINE-FRT VAN KT 2-1/2 | 1 |
| 24 | 99.SF0608 | BOLT, SF 3/8-16 USS X 1 | 2 |
| 25 | 90.0508 | BOLT, 5/16-18 USS X 1 | 4 |
| 26 | 13.0171 | MUFFLER, W/HEAT SHIELD&PIPE | 1 |
| 27 | 64.1038 | MOUNT, MUFFLER/TURBO VAN | 1 |
| 28 | 90.0606 | BOLT, 3/8-16 USS X 3/4 | 1 |
| 29 | 64.1001 | MOUNT, MUFFLER/VAN GAS,DSL | 1 |
| 30 | 64.0950 | SUPPORT, MUFFLER MOUNT-TALL (GAS & DIESEL) | 1 |
| 31 | 64.0949 | SUPPORT, MUFFLER MOUNT-SHORT (TURBO DIESEL) | 1 |
| 32 | 06.0052-6IN | PACKING, 1/4 FIBERGLAS KNITTED X 6" | 3 |
| 33 | 14.0018 | CONNECTOR, EXHAUST COLLAR | 2 |
| 34 | 14.0022 | TUBE, FLOATING EX. 3-3/4 BEAD | 1 |
| 35 | 41.0069 | SPRING, EXHAUST HIGH TEMP SS | 1 |
| 36 | 13.0166 | LOCKNUT, EXHAUST 8 MM | 4 |
| 37 | 64.1003 | FLANGE, EXHAUST MOUNT/VAN G,D | 1 |
| 38 | 64.1039 | FLANGE, EXHAUST MOUNT/TURBO | 1 |
| 39 | 13.0173 | GASKET, EXHAUST/MUFFLER VANG | 2 |
| 40 | 96.06 | WASHER, LOCK 3/8 | 1 |
| 41 | 99.G0004 | WASHER, STAR-EXTERNAL 3/8 | 1 |
| 42 | 32.0049 | CABLE, FRAME-ENGINE GND STRAP | 1 |
| 43 | 32.0022 | CABLE, ASM NEG. BAT. BLK 74" | 1 |
| 44 | 14.0015 | ADAPTER, ENG OIL DRAIN PLUG | 1 |

ENGINE/ENGINE DRIVES

ILLUSTRATED DRAWING VANGUARD GAS & NATURAL DIESEL COOLING SYSTEM



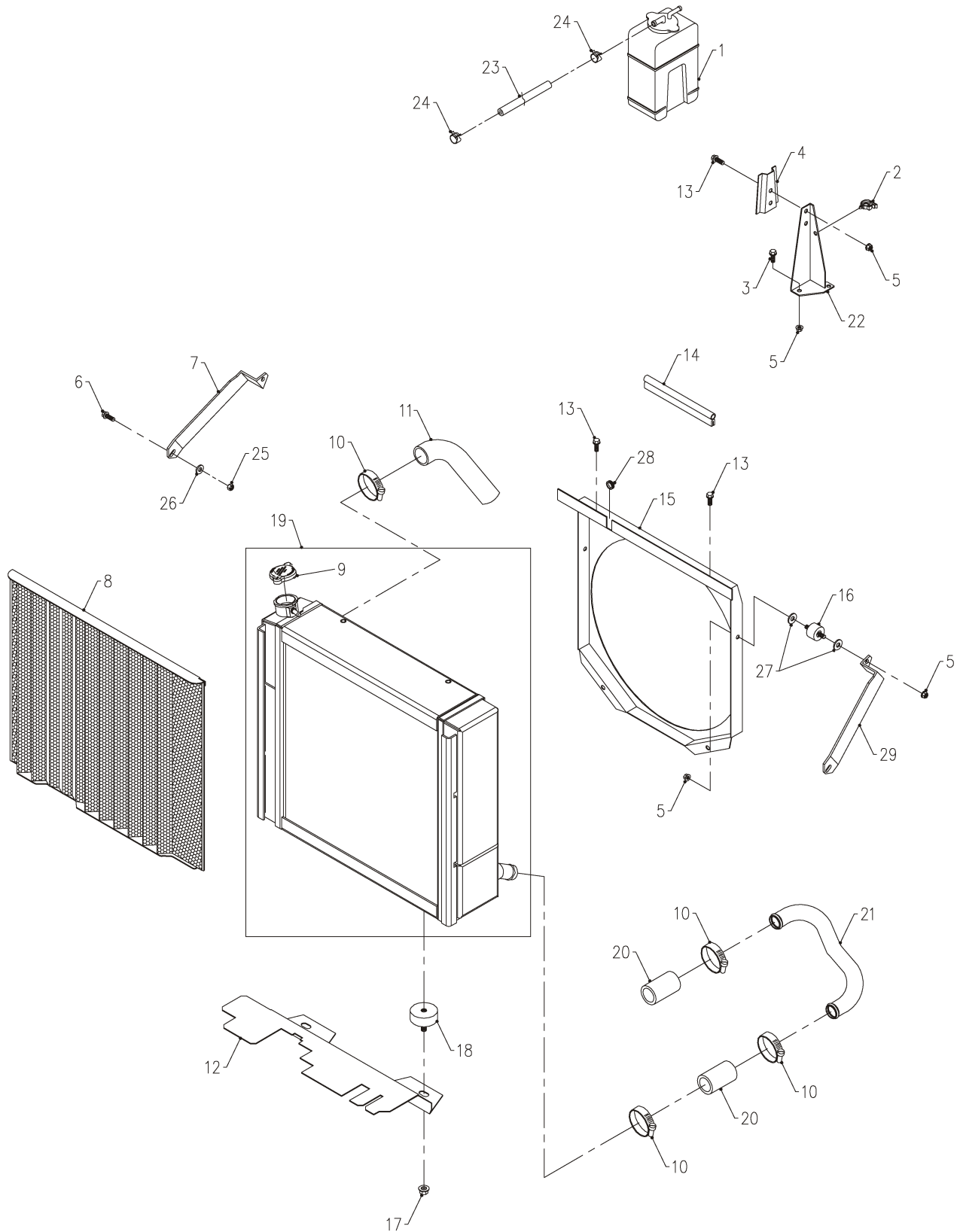
ENGINE/ENGINE DRIVES

VANGUARD GAS & NATURAL DIESEL COOLING SYSTEM

| REF. | PART NO. | DESCRIPTION | QTY. |
|------|---------------|--|------|
| 1 | 47.0187 | TANK, COOLANT RECOVERY | 1 |
| 2 | 27.A04-36IN | HOSE, NEOP BLACK 1/4 X 7/16 X 36" (gasoline) | 1 |
| 2 | 27.A04-36IN | HOSE, NEOP BLACK 1/4 X 7/16 X 36" (diesel; serial # 2555-3159) | 1 |
| 2 | 27.A04-34.5IN | HOSE, NEOP BLACK 1/4 X 7/16 X 34.5" (diesel; serial # 3160-) | 1 |
| 3 | 99.SF0406 | BOLT, SF 1/4-20 X 3/4 | 2 |
| 4 | 64.0923 | MOUNT, WATER BOTTLE KT | 1 |
| 5 | 99.SF04 | NUT, SF 1/4-20 USS | 9 |
| 6 | 99.SF0406-1 | BOLT, SMF 1/4-20 X 3/4 | 2 |
| 7 | 64.1048 | BRACE, RADIATOR KT | 2 |
| 8 | 62.1044 | SCREEN, RIBBED RAD 31GAS/26DSL (Serial # 2555-3639) | 1 |
| 8 | 64.1469 | SCREEN, RIBBED RAD FOR 47.0269 (Serial # 3640-) | 1 |
| 9 | 47.0204 | CAP, RADIATOR VANG. 13# | 1 |
| 10 | 11.0052 | CLAMP, HOSE SS 13/16 X 1-1/2 | 6 |
| 11 | 47.0201 | HOSE, UPPER RADIATOR KT | 1 |
| 12 | 64.0936 | SUPPORT, THROTTLE/CHOKE CABLE (Serial # 2555-3639) | 1 |
| 13 | 99.SF0404 | BOLT, SF 1/4-20 X 1/2 | 3 |
| 14 | 06.0043-17IN | TRIM, TRIM SEAL W/BULB X 17" (Serial # 2555-3639) | 1 |
| 14 | 06.0043-15IN | TRIM, TRIM SEAL W/BULB X 15" (Serial # 3640-) | 1 |
| 15 | 60.0866 | SHROUD, RADIATOR FOR 47.0224 (Serial # 2555-3639) | 1 |
| 15 | 60.1048 | SHROUD, RADIATOR (Serial # 3640-) | 1 |
| 16 | 05.0051 | ISOLATOR, 1/4-20 X 1/2 X 1 | 2 |
| 17 | 64.0999 | BRACKET, WATER BOTTLE | 1 |
| 18 | 60.0848 | SHIELD, RADIATOR DEBRIS | 1 |
| 19 | 99.SF06 | NUT, SF 3/8-16 USS | 2 |
| 20 | 05.0059 | ISOLATOR, 3/8-16 X 1.5 OD X 1 | 2 |
| 21 | 47.0224 | RADIATOR, 3 ROW 1.75" TANKS (Serial # 2555-3639) | 1 |
| 21 | 47.0269 | RADIATOR, VANGUARD 26D & 31G (Serial # 3640-) | 1 |
| 22 | 47.0212 | HOSE, 1" X 3-1/4" LOWER RAD. | 2 |
| 23 | 47.0211 | TUBE, LOWER RADIATOR 4200 VANG. | 1 |
| 24 | 30.0136 | CLAMP, LOOM 1/2 ROSEBUD MOUNT (Serial # 2555-3639) | 2 |
| 24 | 30.0136 | CLAMP, LOOM 1/2 ROSEBUD MOUNT (Serial # 3640-) | 1 |
| 25 | 11.0049 | CLAMP, HOSE-BAND 1/4X1/2 HOSE | 1 |
| 26 | 95.04 | WASHER, FLAT 1/4 SAE (Serial # 3640-) | 4 |
| 27 | 11.0049 | CLAMP, HOSE-BAND 1/4X1/2 HOSE (Serial # 2555-3639) | 1 |
| 27 | 11.0038 | CLAMP, HOSE S/S 7/32 - 5/8 (Serial # 3640-) | 1 |
| 28 | 99.SF0404 | BOLT, SF 1/4-20 X 1/2 (Serial # 2555-3639) | 4 |
| 28 | 90.0403 | BOLT, 1/4-20 USS X 3/8 (Serial # 3640-) | 4 |
| 29 | 99.A04 | LOCKNUT, STOVER 1/4-20 USS | 2 |
| 30 | 95.04 | WASHER, FLAT 1/4 SAE | 2 |
| 31 | 94.04 | WASHER, FLAT 1/4 USS | A/R |

ENGINE/ENGINE DRIVES

ILLUSTRATED DRAWING VANGUARD TURBO DIESEL COOLING SYSTEM



ENGINE/ENGINE DRIVES

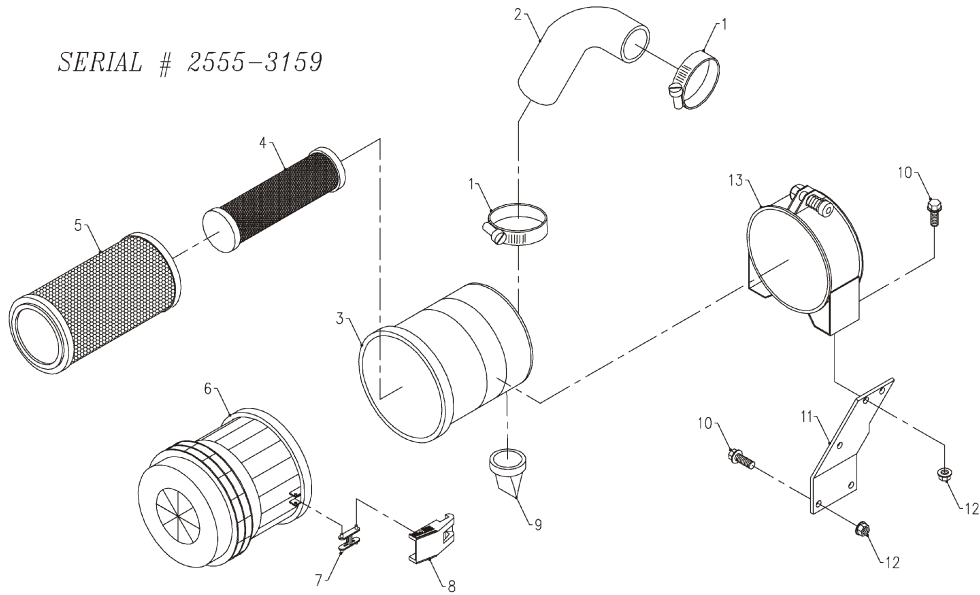
VANGUARD TURBO DIESEL COOLING SYSTEM

| REF. | PART NO. | DESCRIPTION | QTY. |
|------|---------------|--|------|
| 1 | 47.0187 | TANK, COOLANT RECOVERY | 1 |
| 2 | 30.0135 | CLAMP, LOOM 3/8 ROSEBUD MOUNT | 1 |
| 3 | 99.SF0406 | BOLT, SF 1/4-20 X 3/4 | 2 |
| 4 | 64.0923 | MOUNT, WATER BOTTLE KT | 1 |
| 5 | 99.SF04 | NUT, SF 1/4-20 USS | 8 |
| 6 | 99.SF0406-1 | BOLT, SMF 1/4-20 X 3/4 | 2 |
| 7 | 64.1048 | BRACE, RADIATOR KT (Serial # 2555-4567) | 1 |
| 7 | 64.1674 | BRACE, RADIATOR LEFT (Serial # 4568-) | 1 |
| 8 | 62.1043 | SCREEN, RIBBED RADIATOR TURBO | 1 |
| 9 | 47.0204 | CAP, RADIATOR VANG. 13# | 1 |
| 10 | 11.0052 | CLAMP, HOSE SS 13/16 X 1-1/2 | 6 |
| 11 | 47.0218 | HOSE, UPPER RADIATOR KT TURBO | 1 |
| 12 | 60.0848 | SHIELD, RADIATOR DEBRIS | 1 |
| 13 | 99.SF0404 | BOLT, SF 1/4-20 X 1/2 | 6 |
| 14 | 06.0043-17IN | TRIM, TRIM SEAL W/BULB X 17" | 1 |
| 15 | 60.0847 | SHROUD, RADIATOR FOR 47.0217 (Serial # 2555-4567) | 1 |
| 15 | 60.1160 | SHROUD, RADIATOR (Serial # 4568-) | 1 |
| 16 | 05.0051 | ISOLATOR, 1/4-20 X 1/2 X 1 | 2 |
| 17 | 99.SF06 | NUT, SF 3/8-16 USS | 2 |
| 18 | 05.0059 | ISOLATOR, 3/8-16 X 1.5 OD X 1 | 2 |
| 19 | 47.0217 | RADIATOR, TURBO (Serial # 2555-4567) | 1 |
| 19 | 47.0305 | RADIATOR, VANGUARD 31TD (Serial # 4568-) | 1 |
| 20 | 47.0212 | HOSE, 1" X 3-1/4" LOWER RAD. | 2 |
| 21 | 47.0211 | TUBE, LOWER RADIATOR 4200 VANG. | 1 |
| 22 | 64.0999 | BRACKET, WATER BOTTLE | 1 |
| 23 | 27.A04-34.5IN | HOSE, NEOP BLACK 1/4 X 7/16 X 34.5" (Serial # 2555-4567) | 1 |
| 23 | 27.A04-38.5IN | HOSE, NEOP BLACK 1/4 X 7/16 X 38.5" (Serial # 4568) | 1 |
| 24 | 11.0049 | CLAMP, HOSE-BAND 1/4X1/2 HOSE | 2 |
| 25 | 99.A04 | LOCKNUT, STOVER 1/4-20 USS | 2 |
| 26 | 95.04 | WASHER, FLAT 1/4 SAE | 2 |
| 27 | 94.04 | WASHER, FLAT 1/4 USS | A/R |
| 28 | 05.0136 | GROMMET, 7/16ID, 3/4OD, 1/4THK (Serial # 4568-) | 1 |
| 29 | 64.1048 | BRACE, RADIATOR KT (Serial # 2555-4567) | 1 |
| 29 | 64.1675 | BRACE, RADIATOR RIGHT (Serial # 4568-) | 1 |

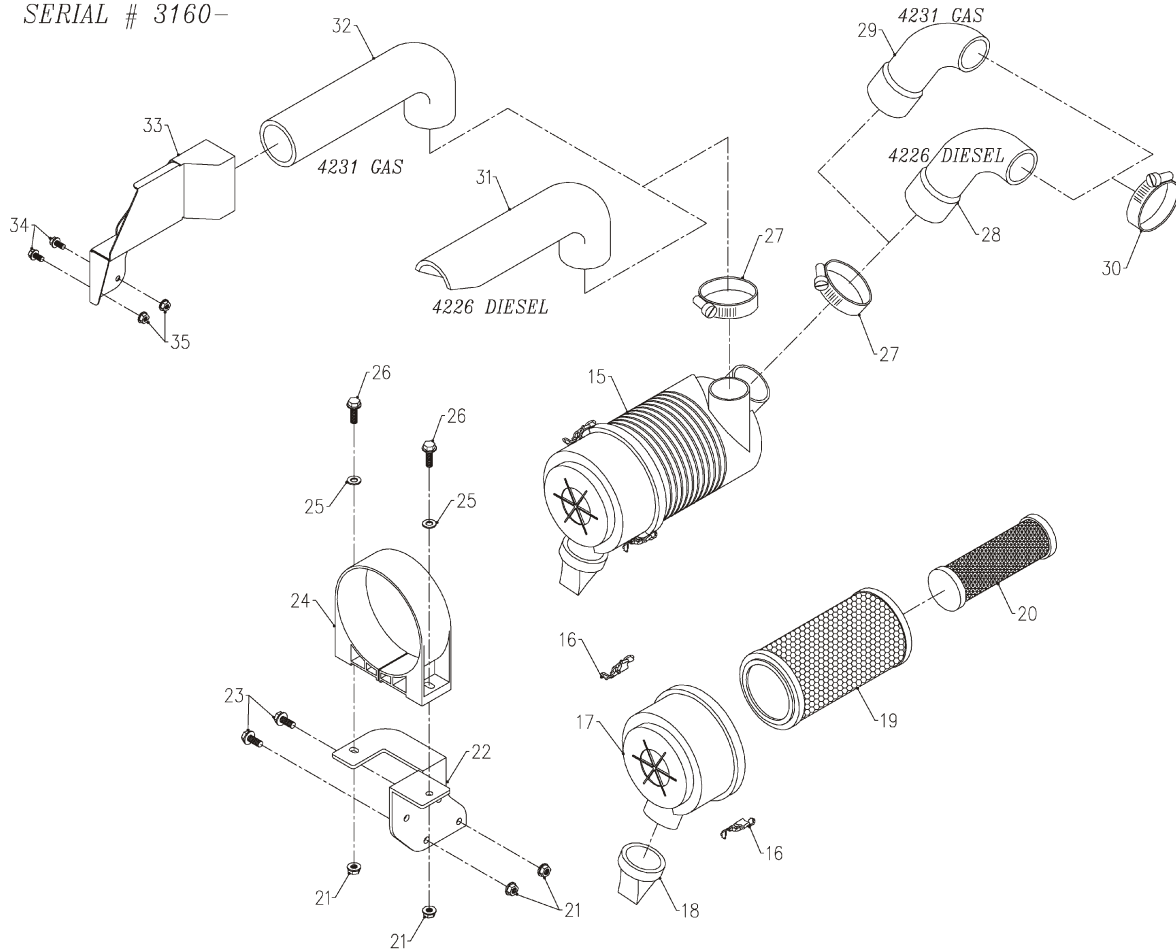
ENGINE/ENGINE DRIVES

ILLUSTRATED DRAWING VANGUARD GAS & NATURAL DIESEL AIR INTAKE

SERIAL # 2555-3159



SERIAL # 3160-



ENGINE/ENGINE DRIVES

VANGUARD GAS & NATURAL DIESEL AIR INTAKE

| REF. | PART NO. | DESCRIPTION | QTY. |
|------|-------------|---|------|
| 1 | 11.0043 | CLAMP, HOSE S/S 1-5/16 - 2-1/4 (Serial # 2555-3159) | 2 |
| 2 | 47.0208 | HOSE, INTAKE FILTER/CARB GAS (Serial # 2555-3159) | 1 |
| 2 | 47.0209 | HOSE, INTAKE FILTER/INTAKE DSL (Serial # 2555-3159) | 1 |
| 3 | 13.0182-3 | BODY, FILTER DUAL ELEMENT (Serial # 2555-3159) | 1 |
| 4 | 13.0182-1 | FILTER, AIR ELEMENT INNER (Serial # 2555-3159) | 1 |
| 5 | 13.0182-2 | FILTER, AIR- ELEMENT OUTER (Serial # 2555-3159) | 1 |
| 6 | 13.0182-4 | ASM, PRECLEANER & END CAP (Serial # 2555-3159) | 1 |
| 7 | 13.0149-9 | HINGE, CLAMP (Serial # 2555-3159) | 2 |
| 8 | 13.0149-8 | CLAMP, AIR FILTER (Serial # 2555-3159) | 2 |
| 9 | 13.0182-6 | DRAIN, DUCKBILL (Serial # 2555-3159) | 1 |
| 10 | 99.SF0506 | BOLT, SF 5/16-18 USS X 3/4 (Serial # 2555-3159) | 4 |
| 11 | 64.0930 | MOUNT, AIR CLEANER-VANG. KT (Serial # 2555-3159) | 1 |
| 12 | 99.SF05 | NUT, SF 5/16-18 USS (Serial # 2555-3159) | 4 |
| 13 | 13.0182-5 | BRACKET, MOUNTING (Serial # 2555-3159) | 1 |
| 14 | 13.0182* | FILTER, AIR ASM. COMPLETE (Serial # 2555-3159) | 1 |
| 15 | 13.809670^ | CLEANER, AIR ASM (Serial # 3160-) | 1 |
| 16 | 13.538928 | LATCH (Serial # 3160-) | 2 |
| 17 | 13.533761 | COVER ASSEMBLY W/LATCHES (Serial # 3160-) | 1 |
| 18 | 13.522958 | VALVE, DRAIN (Serial # 3160-) | 1 |
| 19 | 13.0060 | FILTER, AIR-ELEMENT OUTER (Serial # 3160-) | 1 |
| 20 | 13.0061 | FILTER, AIR-ELEMENT INNER (Serial # 3160-) | 1 |
| 21 | 99.SF05 | NUT, SF 5/16-18 USS (Serial # 3160-) | 4 |
| 22 | 64.1429 | MOUNT, AIR FILTER DONALDSON KT (Serial # 3160-) | 1 |
| 23 | 99.SF0506 | BOLT, SF 5/16-18 USS X 3/4 (Serial # 3160-) | 2 |
| 24 | 13.0231 | CLAMP, AIR FILTER 5" PLASTIC (Serial # 3160-) | 1 |
| 25 | 95.05 | WASHER, FLAT 5/16 SAE (Serial # 3160-) | 2 |
| 26 | 99.SF0508 | BOLT, SF 5/16-18 USS X 1 (Serial # 3160-) | 2 |
| 27 | 11.0044 | CLAMP, HOSE S/S 1-9/16- 2-1/2 (Serial # 3160-) | 2 |
| 28 | 14.0031-1 | HOSE, ENGINE INTAKE 4226 (Serial # 3160-) | 1 |
| 29 | 14.0035-1 | HOSE, FILTER TO CARB | 1 |
| 30 | 11.0043 | CLAMP, HOSE S/S 1-5/16 - 2-1/4 (Serial # 3160-) | 1 |
| 31 | 14.0026-2 | HOSE, AIR FILTER INTAKE 4226 (Serial # 3160-) | 1 |
| 32 | 14.0034 | HOSE, AIR FILTER INLET (Serial # 3160-) | 1 |
| 33 | 60.1042 | BAFFLE, AIR FILTER INLET (Serial # 3160-) | 1 |
| 34 | 99.SF0404-1 | BOLT, SRF 1/4-20 X 1/2 W/RUBBER (Serial # 3160-) | 2 |
| 35 | 99.SF04 | NUT, SF 1/4-20 USS (Serial # 3160-) | 2 |

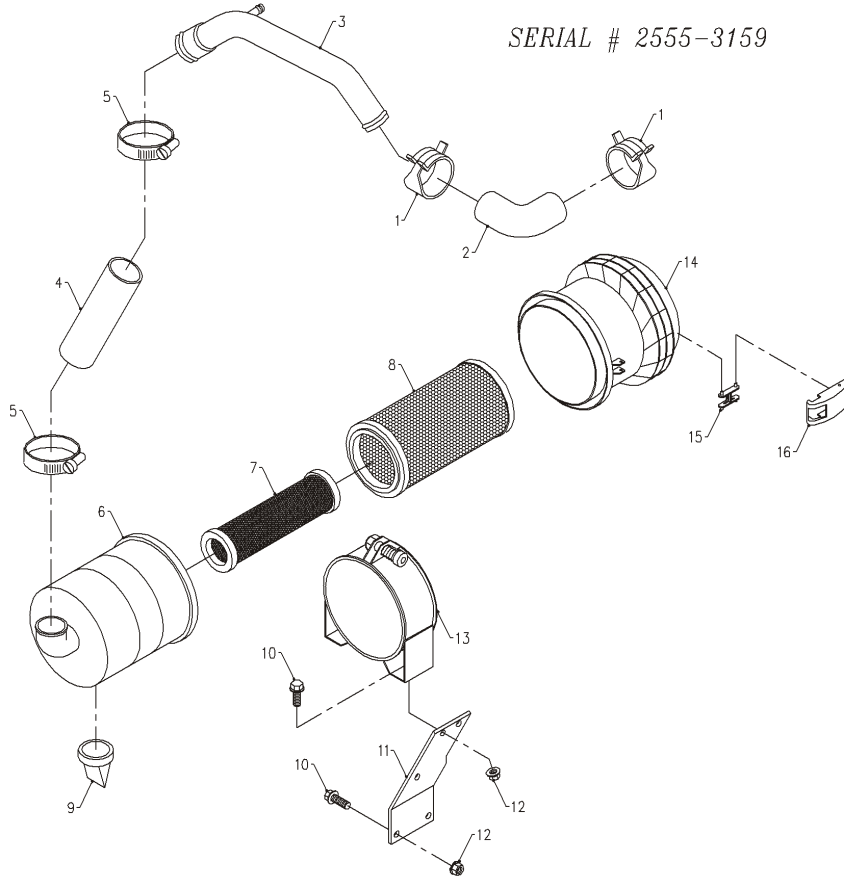
*13.0182 includes references 3, 4, 5, 6, 7, 8, 9, & 13.

^13.809670 includes references 16, 17, 18, 19, & 20.

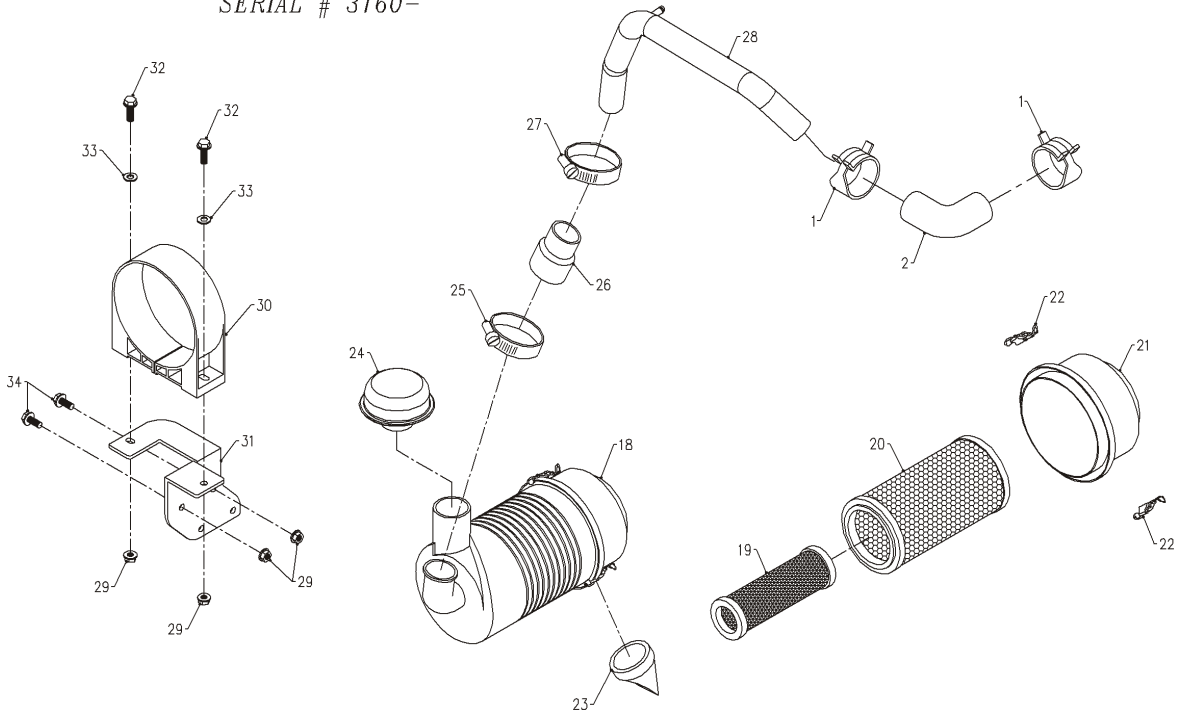
ENGINE/ENGINE DRIVES

ILLUSTRATED DRAWING VANGUARD TURBO DIESEL AIR INTAKE

SERIAL # 2555-3159



SERIAL # 3160-



ENGINE/ENGINE DRIVES

VANGUARD TURBO DIESEL AIR INTAKE

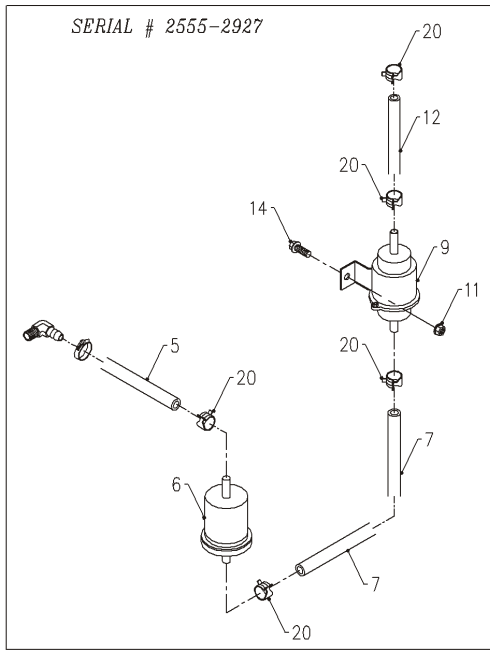
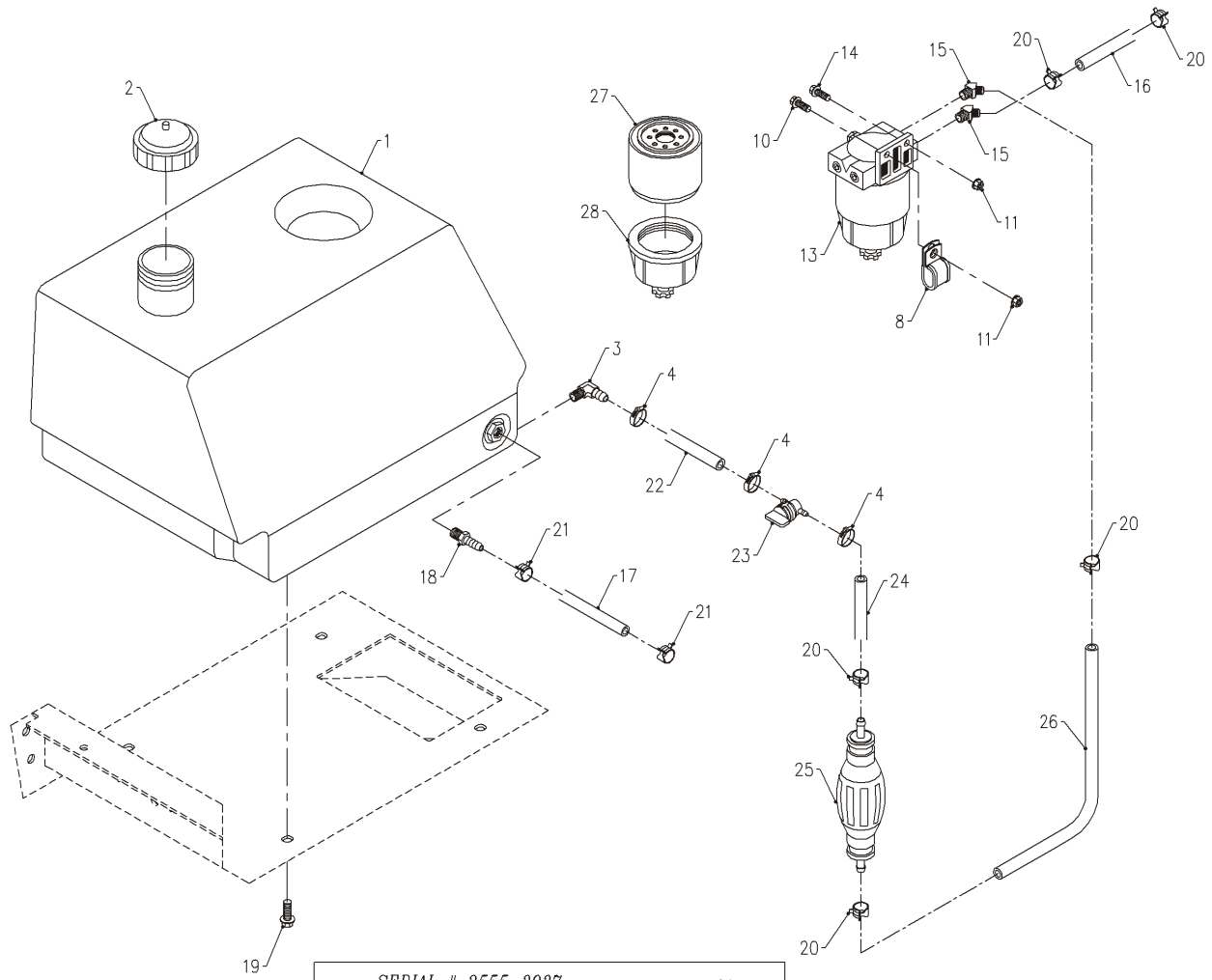
| REF. | PART NO. | DESCRIPTION | QTY. |
|------|------------------------|---|------|
| 1 | 11.0033 | CLAMP, HOSE S/S 1-1/16 - 2 | 2 |
| 2 | 47.0191 | HOSE, AIR INTAKE TURBO/PIPE | 1 |
| 3 | 14.0021 | TUBE, INTAKE 1.38 TURBO/FILTER (Serial # 2555-3159) | 1 |
| 4 | 14.0023 | HOSE, INTAKE FILTER/TUBE TURBO (Serial # 2555-3159) | 1 |
| 5 | 11.0043 | CLAMP, HOSE S/S 1-5/16 - 2-1/4 (Serial # 2555-3159) | 2 |
| 6 | 13.0182-3. | BODY, FILTER DUAL ELEMENT (Serial # 2555-3159) | 1 |
| 7 | 13.0182-1. | FILTER, AIR ELEMENT INNER (Serial # 2555-3159) | 1 |
| 8 | 13.0182-2. | FILTER, AIR- ELEMENT OUTER (Serial # 2555-3159) | 1 |
| 9 | 13.0182-6. | DRAIN, DUCKBILL (Serial # 2555-3159) | 1 |
| 10. | 99.SF0506 | BOLT, SF 5/16-18 USS X 3/4 (Serial # 2555-3159) | 4 |
| 11. | 64.0930 | MOUNT, AIR CLEANER-VANG. KT (Serial # 2555-3159) | 1 |
| 12. | 99.SF05 | NUT, SF 5/16-18 USS (Serial # 2555-3159) | 4 |
| 13. | 13.0182-5. | BRACKET, MOUNTING (Serial # 2555-3159) | 1 |
| 14. | 13.0182-4. | ASM, PRECLEANER & END CAP (Serial # 2555-3159) | 1 |
| 15. | 13.0149-9. | HINGE, CLAMP (Serial # 2555-3159) | 2 |
| 16. | 13.0149-8. | CLAMP, AIR FILTER (Serial # 2555-3159) | 2 |
| 17. | 13.0182* | FILTER, AIR ASM. COMPLETE (Serial # 2555-3159) | 1 |
| 18. | 13.809670 [^] | CLEANER, AIR ASM (Serial # 3160-) | 1 |
| 19. | 13.0061 | FILTER, AIR-ELEMENT INNER (Serial # 3160-) | 1 |
| 20. | 13.0060 | FILTER, AIR-ELEMENT OUTER (Serial # 3160-) | 1 |
| 21. | 13.533761 | COVER ASSEMBLY W/LATCHES (Serial # 3160-) | 1 |
| 22. | 13.538928 | LATCH (Serial # 3160-) | 2 |
| 23. | 13.522958 | VALVE, DRAIN (Serial # 3160-) | 1 |
| 24. | 13.002018 | CAP, AIR FILTER (Serial # 3160-) | 1 |
| 25. | 11.0044 | CLAMP, HOSE S/S 1-9/16- 2-1/2 (Serial # 3160-) | 1 |
| 26. | 14.0033 | ADAPTER, RUBBER REDUCER (Serial # 3160-) | 1 |
| 27. | 11.0043 | CLAMP, HOSE S/S 1-5/16 - 2-1/4 (Serial # 3160-) | 1 |
| 28. | 14.0032 | TUBE, TURBO INTAKE 1.50 (Serial # 3160-) | 1 |
| 29. | 99.SF05 | NUT, SF 5/16-18 USS (Serial # 3160-) | 4 |
| 30. | 13.0231 | CLAMP, AIR FILTER 5" PLASTIC (Serial # 3160-) | 1 |
| 31. | 64.1429 | MOUNT, AIR FILTER DONALDSON KT (Serial # 3160-) | 1 |
| 32. | 99.SF0508 | BOLT, SF 5/16-18 USS X 1 (Serial # 3160-) | 2 |
| 33. | 95.05 | WASHER, FLAT 5/16 SAE (Serial # 3160-) | 2 |
| 34. | 99.SF0506 | BOLT, SF 5/16-18 USS X 3/4 (Serial # 3160-) | 2 |

*13.0182 includes references 6, 7, 8, 9, 13, 14, 15, & 16.

[^]13.809670 includes references 19, 20, 21, 22, & 23.

ENGINE/ENGINE DRIVES

ILLUSTRATED DRAWING VANGUARD DIESEL FUEL SYSTEM



ENGINE/ENGINE DRIVES

VANGUARD DIESEL FUEL SYSTEM

| REF. | PART NO. | DESCRIPTION | QTY. |
|------|-----------------|---|------|
| 1 | 47.0249 | TANK, FUEL 7.25 GAL KT41-4200 | 1 |
| 2 | 47.0144 | CAP, GAS 3-1/2" | 1 |
| 3 | 29.BF05MP0290-1 | FITTING B. 5/16 BRB 1/8 NPT 90 | 1 |
| 4 | 11.0038 | CLAMP, HOSE S/S 7/32 - 5/8 | 3 |
| 5 | 27.F05-18IN | HOSE, FUEL LINE X 5/16 X 18" (Serial # 2555-2927) | 1 |
| 6 | 13.0053 | FILTER, FUEL - IN LINE 5/16" (Serial # 2555-2927) | 1 |
| 7 | 27.F05-40IN | HOSE, FUEL LINE X 5/16 X 40" (Serial # 2555-2927) | 1 |
| 8 | 11.0046 | CLAMP, CUSHIONED METAL 1/2" | 1 |
| 9 | 13.0058 | PUMP, FUEL VANG - W (Serial # 2555-2927) | 1 |
| 10 | 99.SF0408 | BOLT, SF 1/4 X 1 USS | 1 |
| 11 | 99.SF04 | NUT, SF 1/4-20 USS | 2 |
| 12 | 27.F05-10IN | HOSE, FUEL LINE X 5/16 X 10" (Serial # 2555-2927) | 1 |
| 13 | 13.0051 | FILTER, FUEL ASSEMBLY (RACOR) | 1 |
| 14 | 99.SF0406-1 | BOLT, SF 1/4-20 X 3/4 W/RUBBER | 1 |
| 15 | 29.BF05MP0445-1 | FITTING B. 5/16 BRB 1/4 NPT 45 | 2 |
| 16 | 27.F05-11.5IN | HOSE, FUEL LINE X 5/16 X 11-1/2" | 1 |
| 17 | 27.F04-74IN | HOSE, FUEL LINE X 1/4 X 74" | 1 |
| 18 | 29.BF04MP02-1 | FITTING B. 1/4 BARB 1/8 NPT ST. | 1 |
| 19 | 99.SF0504 | BOLT, SF 5/16-18USS X 1/2 | 4 |
| 20 | 11.0048 | CLAMP, HOSEBAND 5/16X9/16 HOSE | 5 |
| 21 | 11.0049 | CLAMP, HOSE-BAND 1/4X1/2 HOSE | 2 |
| 22 | 27.F05-10IN | HOSE, FUEL LINE X 5/16 X 10" (Serial # 2928-) | 1 |
| 23 | 47.0265 | VALVE, FUEL SHUT-OFF (Serial # 2928-) | 1 |
| 24 | 27.F05-8IN | HOSE, FUEL LINE X 5/16 X 8" (Serial # 2928-) | 1 |
| 25 | 13.0232 | PUMP, FUEL PRIMER BULB (Serial # 2928-) | 1 |
| 26 | 27.F05-50IN | HOSE, FUEL LINE X 5/16 X 50" (Serial # 2928-) | 1 |
| 27 | 13.0220 | FILTER, FUEL ELEMENT | 1 |
| 28 | 13.0051-1 | BOWL, FILTER W/DRAIN & PLUG | 1 |

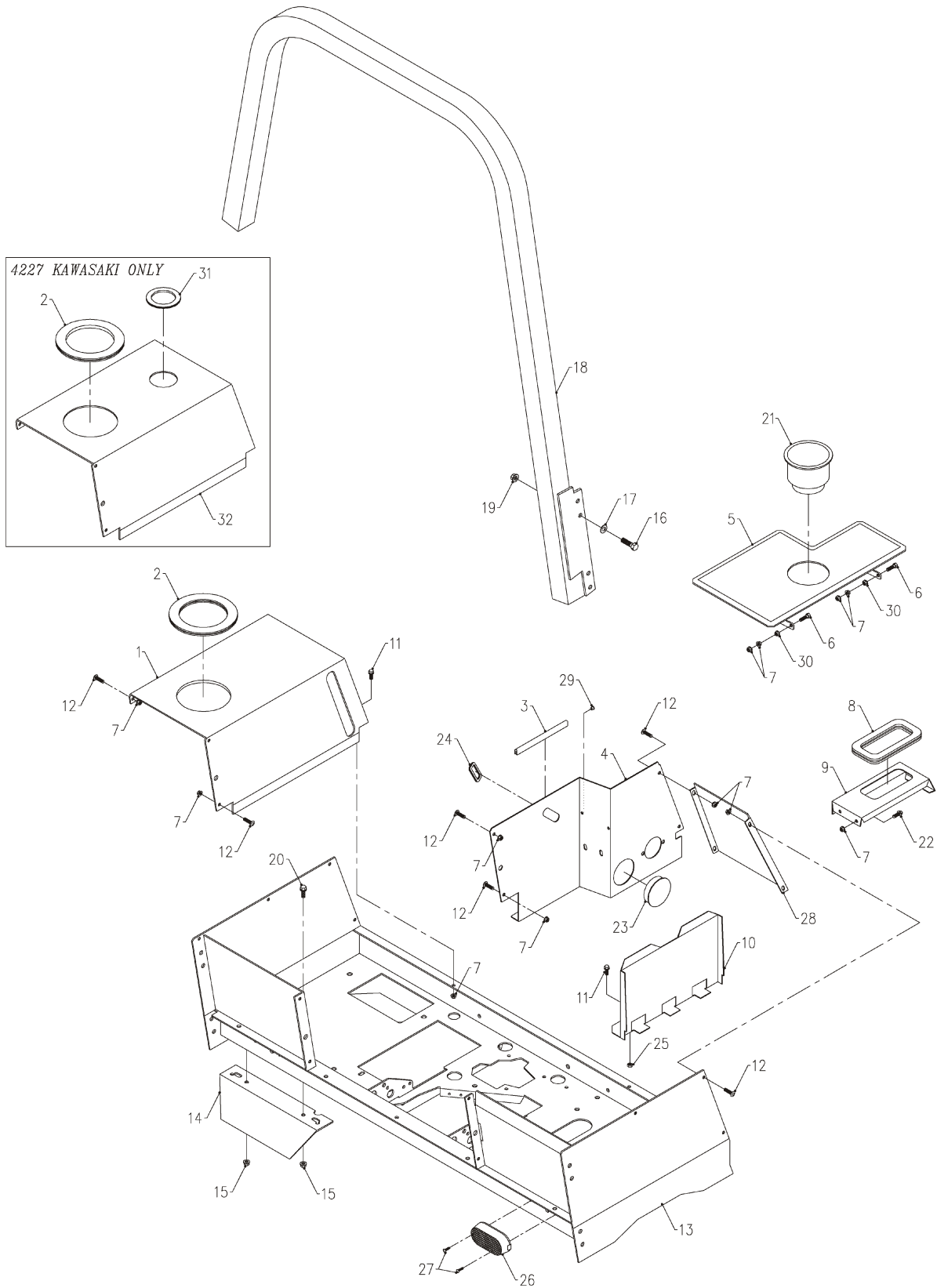
ENGINE/ENGINE DRIVES

VANGUARD GAS FUEL SYSTEM

| REF. | PART NO. | DESCRIPTION | QTY. |
|------|-----------------|--|------|
| 1 | 47.0249 | TANK, FUEL 7.25 GAL KT41-4200. | 1 |
| 2 | 47.0144 | CAP, GAS 3-1/2" | 1 |
| 3 | 29.BF04MP0290-1 | FITTING B. 1/4 BRB 1/8 NPT 90. | 1 |
| 4 | 11.0038 | CLAMP, HOSE S/S 7/32 - 5/8 | 1 |
| 5 | 27.F04-1-18IN | HOSE, FUEL LINE 1/4" LOW PERM X 18" (Serial # 2555-2927) | 1 |
| 5 | 27.F04-1-8IN | HOSE, FUEL LINE 1/4" LOW PERM X 8" (Serial # 2928-) | 1 |
| 6 | 29.P02-1 | PIPE, PLUG 1/8 HEX SOCKET ZP | 1 |
| 7 | 13.0134 | FILTER, FUEL IN-LINE 1/4 VANG | 1 |
| 8 | 27.F04-1-40IN | HOSE, FUEL LINE 1/4" LOW PERM X 40" | 1 |
| 9 | 99.SF04 | NUT, SF 1/4-20 USS | 2 |
| 10 | 13.0133 | PUMP, FUEL VANG - V | 1 |
| 11 | 99.SF0404-1 | BOLT, SF 1/4-20 X 1/2 W/RUBBER | 2 |
| 12 | 27.F04-1-23IN | HOSE, FUEL LINE 1/4" LOW PERM X 23" (Serial # 2555-2925) | 1 |
| 12 | 27.F04-1-26IN | HOSE, FUEL LINE 1/4" LOW PERM X 26" (Serial # 2926-) | 1 |
| 13 | 99.SF0504 | BOLT, SF 5/16-18USS X 1/2 | 4 |
| 14 | 11.0049 | CLAMP, HOSE-BAND 1/4X1/2 HOSE | 5 |
| 15 | 47.0265 | VALVE, FUEL SHUT-OFF (Serial # 2928-) | 1 |
| 16 | 27.F04-1-10IN | HOSE, FUEL LINE 1/4" LOW PERM X 10" (Serial # 2928-) | 1 |

FRAME, SHEET METAL

ILLUSTRATED DRAWING REAR FRAME, UPPER



FRAME, SHEET METAL

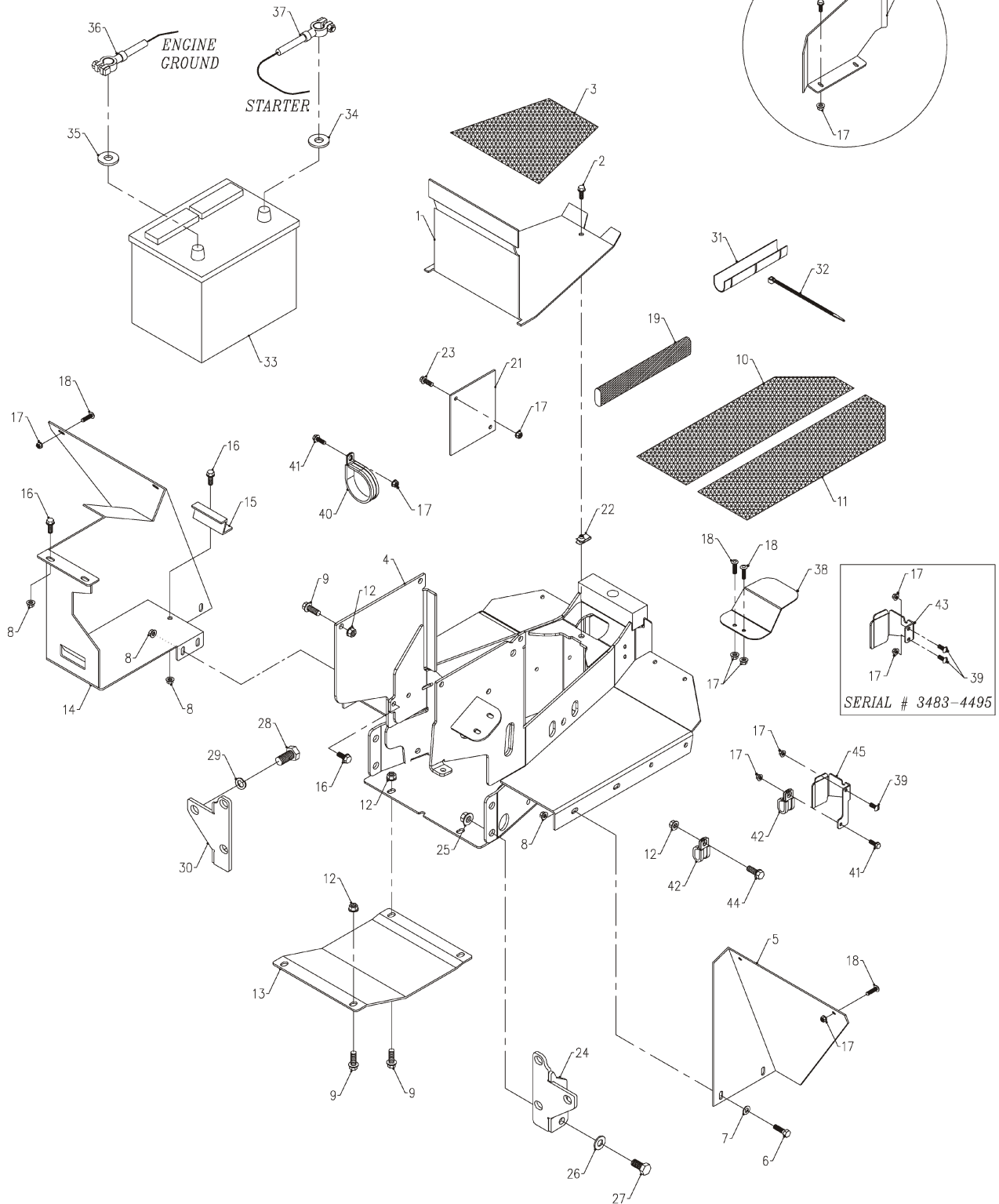
REAR FRAME, UPPER

| REF. | PART NO. | DESCRIPTION | QTY. |
|------|--------------|--|------|
| 1 | 60.0675 | COVER, FUEL TANK (4226 Diesel, 4231 Gas, 4231 Turbo Diesel) | 1 |
| 2 | 05.0050 | GROMMET,4-3/16ID,5-3/8OD,5/16T | 1 |
| 3 | 06.0042-45IN | TRIM, TRIM LOC 1/2 X 1/16 X 45" | 1 |
| 4 | 60.0958 | PANEL, INNER SIDE TOOLBOX | 1 |
| 5 | 64.0940 | LID, TOOLBOX | 1 |
| 6 | 90.0408 | BOLT, 1/4-20 USS X 1 | 2 |
| 7 | 99.SF04 | NUT, SF 1/4-20 USS | 20 |
| 8 | 05.0049 | GROMMET, RECTANGULAR | 1 |
| 9 | 60.0667 | SHIELD, DIRT F/R LEVER | 1 |
| 10 | 64.0743 | COMPARTMENT, OWNERS MANUAL | 1 |
| 11 | 99.SF0406 | BOLT, SF 1/4-20 X 3/4 | 3 |
| 12 | 99.K0063 | BOLT, BUT HD SOCK SS 1/4 X 1/2 | 8 |
| 13 | 62.0860 | FRAME, REAR FENDER WELDMENT | 1 |
| 14 | 60.0672 | FENDER, REAR FLAP | 2 |
| 15 | 99.SF05 | NUT, SF 5/16-18 USS | 4 |
| 16 | 90.0606 | BOLT, 3/8-16 USS X 3/4 | 8 |
| 17 | 95.06 | WASHER, FLAT 3/8 SAE | 8 |
| 18 | 62.0772 | ROLL BAR, WELDMENT | 1 |
| 19 | 99.SF06 | NUT, SF 3/8-16 USS | 8 |
| 20 | 99.SF0506 | BOLT, SF 5/16-18 USS X 3/4 | 3 |
| 21 | 47.0185 | HOLDER, CUP 3.586 OD X3-1/4 DP | 1 |
| 22 | 99.SF0404 | BOLT, SF 1/4-20 X 1/2 | 7 |
| 23 | 05.0076 | PLUG, 2-1/2" HOLE, BLK PLASTIC | 1 |
| 24 | 05.0079 | GROMMET,1.6 ID, 2.25 OD,7/16 T | 1 |
| 25 | 92.04 | NUT, 1/4-20 USS | 2 |
| 26 | 33.0022 | LIGHT, TAIL RED-SINGLE BULB | 2 |
| | 33.0034 | LENS, RED REPLACEMENT | 1 |
| | 33.0038 | BULB, LIGHT (ONLY) FOR 33.0022 | 1 |
| 27 | 99.K0089 | SCREW, S/TAP #8-18 X 1/2 ZP SF | 4 |
| 28 | 60.0959 | PANEL, FRONT SIDE TOOLBOX | 1 |
| 29 | 05.0077 | PLUG, 1/4" HOLE, NYLON | 2 |
| 30 | 99.SF04-2 | NUT, SMF 1/4-20 FREE SPINNING | 2 |
| 31 | 05.0130 | GROMMET, 2-1/8 X 2-7/8 X 7/16T (4227 Kawasaki; Serial # 4286-) | 1 |
| 32 | 60.0675 | COVER, FUEL TANK (4227 Kawasaki; Serial # 2555-4285) | 1 |
| 32 | 60.1114 | COVER, STEEL FUEL TANK (4227 Kawasaki; Serial # 4286-) | 1 |

FRAME, SHEET METAL

ILLUSTRATED DRAWING REAR FRAME, LOWER

SERIAL # 2555-3482



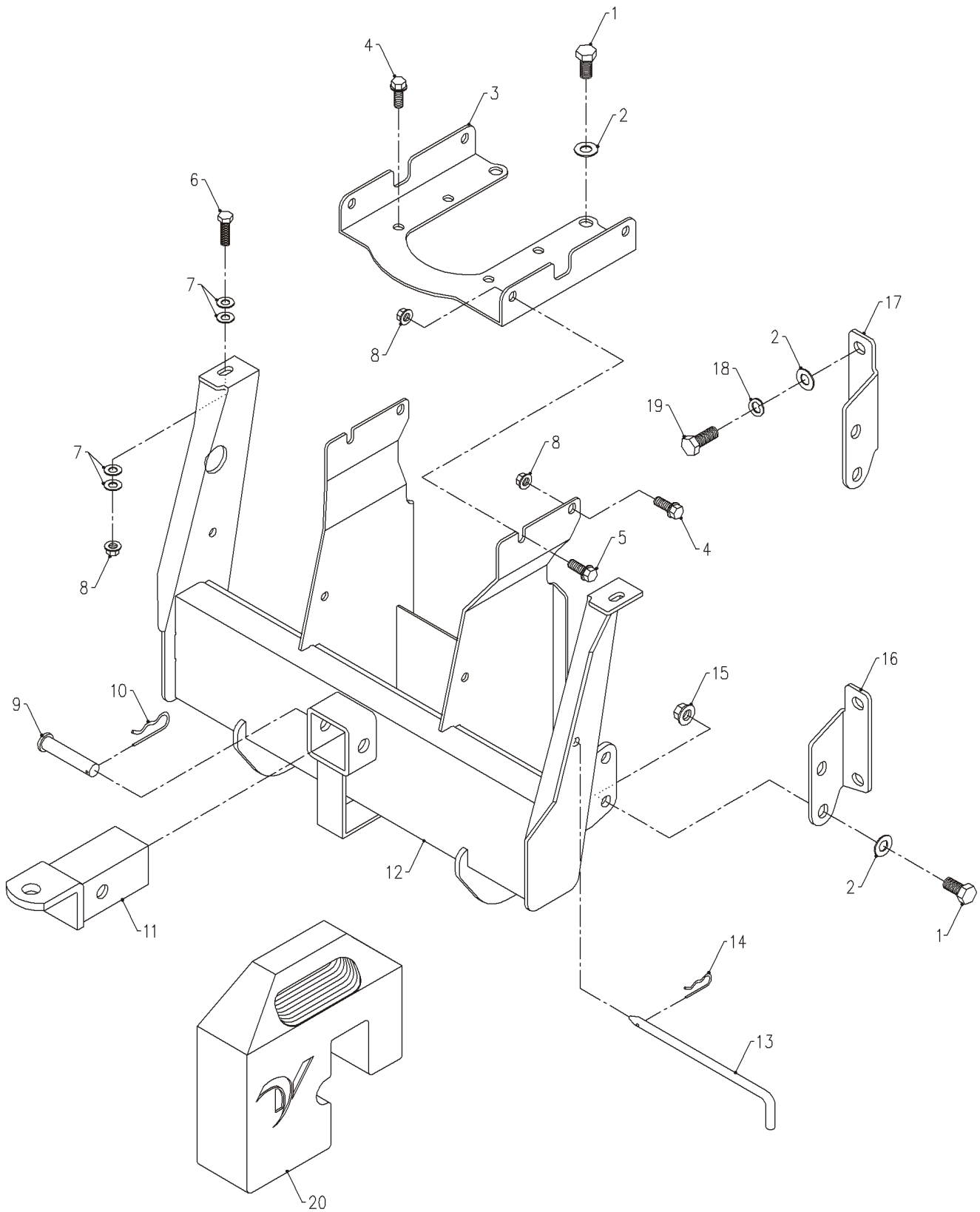
FRAME, SHEET METAL

REAR FRAME, LOWER

| REF. | PART NO. | DESCRIPTION | QTY. |
|------|-------------|---|------|
| 1 | 60.0674 | COVER, FLOOR TUNNEL | 1 |
| 2 | 99.SF0405-1 | BOLT, SMF 1/4-20 X 5/8 | 1 |
| 3 | 44.0220 | FLEX TREAD, TUNNEL COVER | 1 |
| 4 | 62.1067 | FRAME, LOWER REAR WELDMENT | 1 |
| 5 | 60.0670 | FENDER, RIGHT REAR | 1 |
| 6 | 90.0506 | BOLT, 5/16-18 USS X 3/4 | 4 |
| 7 | 95.05 | WASHER, FLAT 5/16 SAE | 4 |
| 8 | 99.SF05 | NUT, SF 5/16-18 USS | 9 |
| 9 | 99.SF0606 | BOLT, SF 3/8-16 USS X 3/4 | 8 |
| 10 | 44.0218 | FLEX TREAD, LEFT FOOT PLATE | 1 |
| 11 | 44.0219 | FLEX TREAD, RIGHT FOOT PLATE | 1 |
| 12 | 99.SF06 | NUT, SF 3/8-16 USS | 10 |
| 13 | 60.0956 | PLATE, REAR AXLE CVR/SKD NO3PT | 1 |
| 14 | 60.0961 | PANEL, BATTERY LEFT FENDER | 1 |
| 15 | 64.0687 | CLAMP, BATTERY HOLDDOWN | 1 |
| 16 | 99.SF0506 | BOLT, SF 5/16-18 USS X 3/4 | 5 |
| 17 | 99.SF04 | NUT, SF 1/4-20 USS | 13 |
| 18 | 99.K0063 | BOLT, BUT HD SOCK SS 1/4 X 1/2 | 6 |
| 19 | 44.0210 | SLEEVE, HOSE BUNDLING 3 X 15.5 | 1 |
| 20 | 64.1113 | BRACKET, TUNNEL HOSE GUARD (Serial # 2555-3482) | 1 |
| 21 | 44.0192 | PROTECTOR, HOSE | 1 |
| 22 | 99.E0046 | NUT, "U" 1/4-20 EXTRUDED | 1 |
| 23 | 99.SF0404 | BOLT, SF 1/4-20 X 1/2 | 4 |
| 24 | 64.1244 | BRACKET, HITCH FRAME ANCHOR RH | 1 |
| 25 | 99.SF08 | NUT, SF 1/2-13 USS | 4 |
| 26 | 95.08 | WASHER, FLAT 1/2 SAE | 4 |
| 27 | 90.0808 | BOLT, 1/2-13 USS X 1 | 4 |
| 28 | 90.1010 | BOLT, 5/8-11 USS X 1 1/4 | 6 |
| 29 | 96.10 | WASHER, LOCK 5/8 | 6 |
| 30 | 64.1245 | BRACKET, HITCH FRAME ANCHOR LH | 1 |
| 31 | 44.0258 | SLEEVE, HOSE PROTECTOR 8" (Serial # 3226-) | 2 |
| 32 | 30.0204 | TYTON TIE, #50 .190 X 12" (Serial # 3226-) | 6 |
| 33 | 33.0030 | BATTERY, 450 CCA | 1 |
| 34 | 05.0121 | WASHER, ANTI CORROSION RED | 1 |
| 35 | 05.0122 | WASHER, ANTI CORROSION BLACK | 1 |
| 36 | 32.0022 | CABLE, ASM NEG. BAT. BLK 74" | 1 |
| 37 | 32.0021 | CABLE, ASM POS. BAT. RED 76" | 1 |
| 38 | 64.1467 | PLATE, KT HOSE GUARD (Serial # 3483-) | 1 |
| 39 | 99.K0069 | BOLT, BUT HD SOCK SS 1/4 X 5/8 | 1 |
| 40 | 11.0069 | CLAMP, CUSHIONED METAL 3" (Serial # 3483-) | 1 |
| 41 | 99.SF0406 | BOLT, SRF 1/4-20 X 3/4 | 2 |
| 42 | 11.0046 | CLAMP, CUSHIONED METAL 1/2" | 2 |
| 43 | 64.1461 | RETAINER, KT HOSE (Serial # 3483-4495) | 1 |
| 44 | 99.SF0608 | BOLT, SRF 3/8-16 USS X 1 | 1 |
| 45 | 64.1669 | RETAINER, KT HOSE (Serial # 4496-) | 1 |

FRAME, SHEET METAL

ILLUSTRATED DRAWING REAR HITCH ASSEMBLY



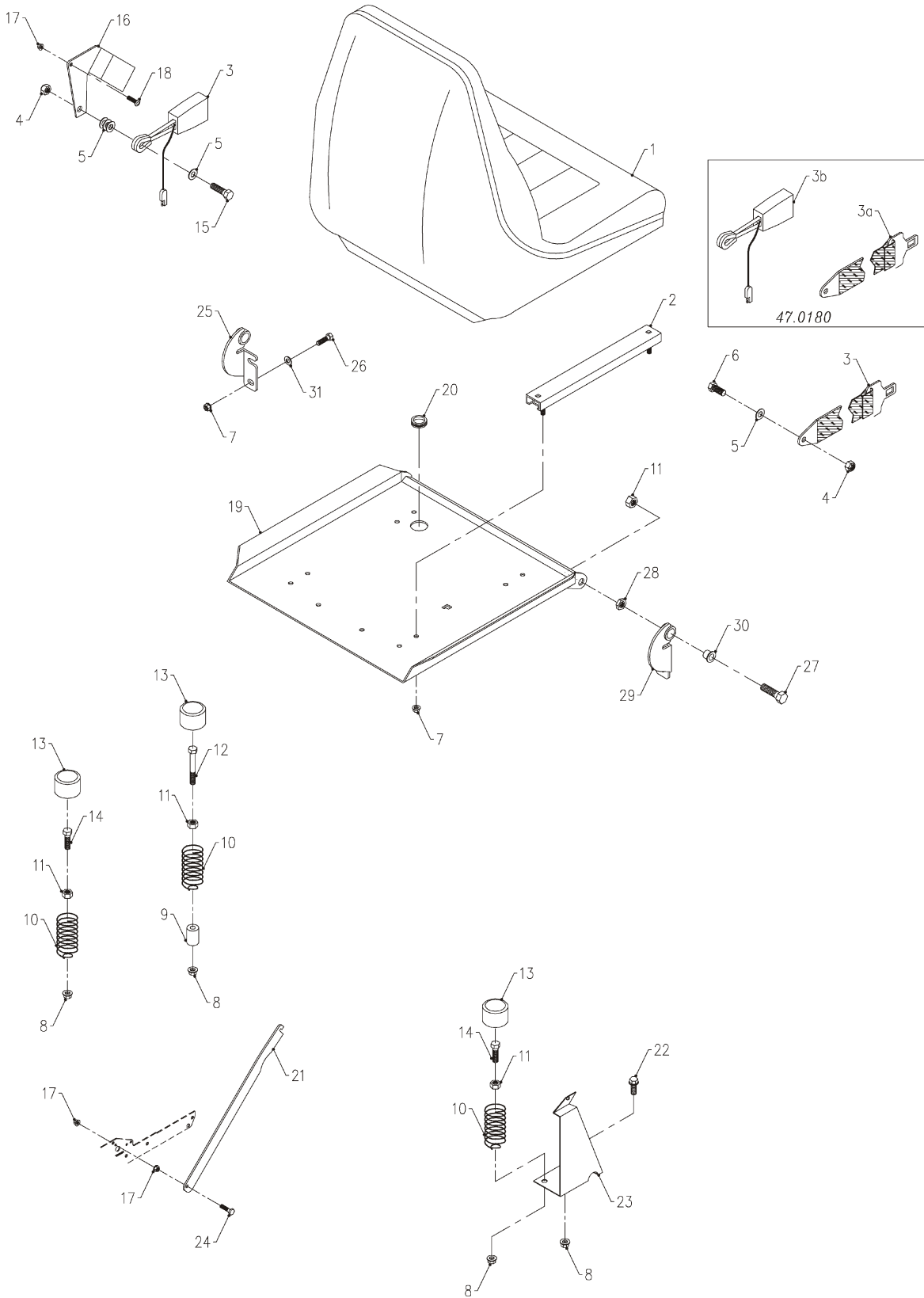
FRAME, SHEET METAL

REAR HITCH ASSEMBLY

| REF. | PART NO. | DESCRIPTION | QTY. |
|------|-----------|--------------------------------|------|
| 1 | 90.0808 | BOLT, 1/2-13 USS X 1 | 6 |
| 2 | 95.08 | WASHER, FLAT 1/2 SAE | 10 |
| 3 | 64.1246 | BRACKET, HITCH FRAME ANCHOR UP | 1 |
| 4 | 99.SF0606 | BOLT, SF 3/8-16 USS X 3/4 | 6 |
| 5 | 99.SF0608 | BOLT, SF 3/8-16 USS X 1 | 4 |
| 6 | 90.0610 | BOLT, 3/8-16 USS X 1 1/4 | 2 |
| 7 | 94.06 | WASHER, FLAT 3/8 USS | 8 |
| 8 | 99.SF06 | NUT, SF 3/8-16 USS | 8 |
| 9 | 03.1024 | CLEVIS PIN, 5/8 X 3 OAL | 1 |
| 10 | 02.HP0420 | HAIRPIN, 1/8 X 2 1/2 | 1 |
| 11 | 62.0968 | TUBE, RECEIVER HITCH | 1 |
| 12 | 62.1069 | FRAME, WEIGHT BKT/HITCH | 1 |
| 13 | 64.0761 | PIN, WEIGHT SECURE 8" USABLE | 2 |
| 14 | 02.HP0416 | HAIRPIN, 1/8 X 2 | 2 |
| 15 | 99.SF08 | NUT, SF 1/2-13 USS | 4 |
| 16 | 62.1070 | BRACKET, REAR HITCH MNT RIGHT | 1 |
| 17 | 62.1071 | BRACKET, REAR HITCH MOUNT LEFT | 1 |
| 18 | 96.08 | WASHER, LOCK 1/2 | 4 |
| 19 | 90.0810 | BOLT, 1/2-13 USS X 1 1/4 | 4 |
| 20 | 47.0115 | WEIGHT, SUITCASE- 42 LBS | 4 |

FRAME, SHEET METAL

ILLUSTRATED DRAWING SEAT ASSEMBLY



FRAME, SHEET METAL

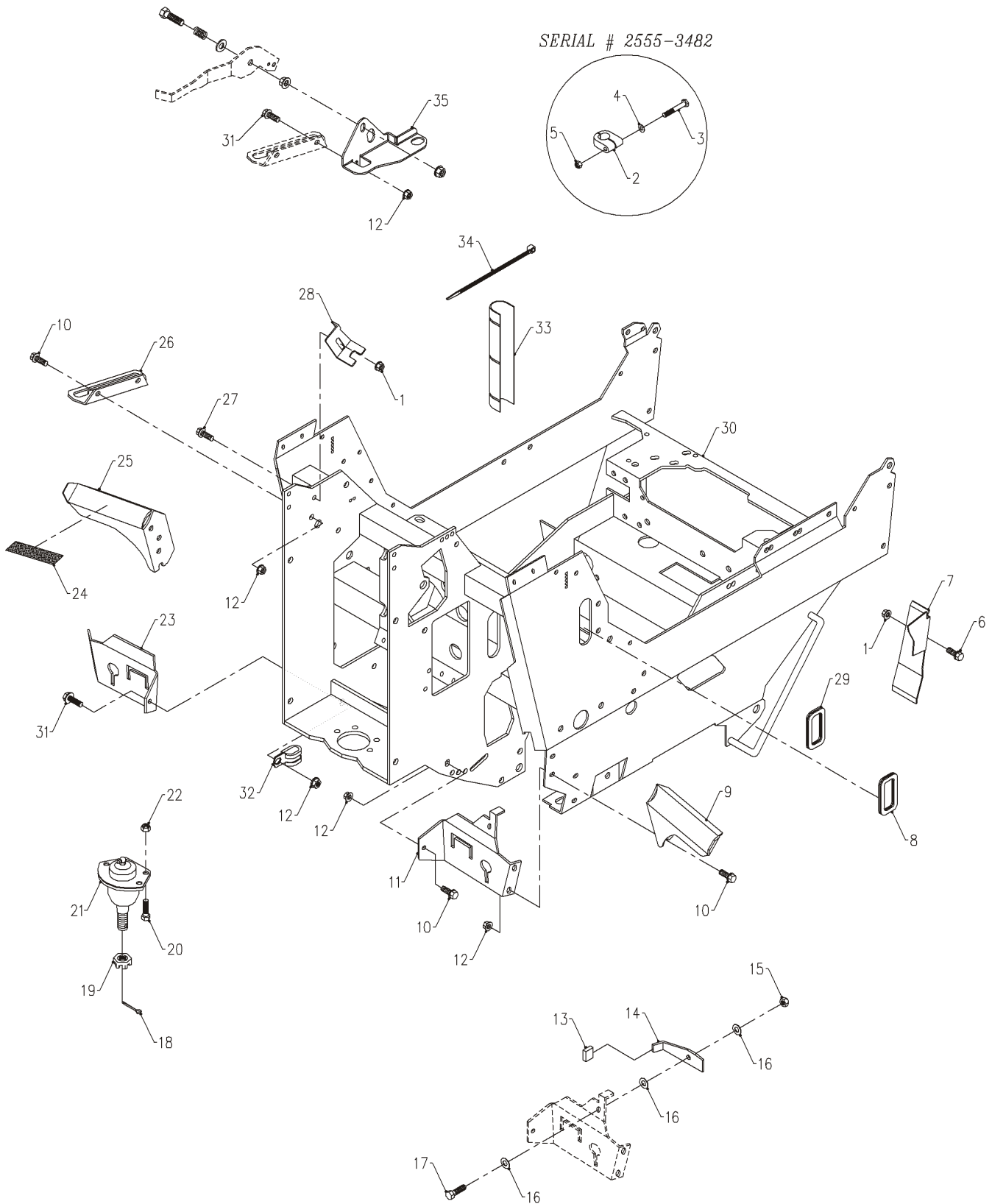
SEAT ASSEMBLY

| REF. | PART NO. | DESCRIPTION | QTY. |
|------|------------|---------------------------------|------|
| 1 | 47.0112 | SEAT, MOLDED HIGH BACK | 1 |
| 2 | 47.0114 | SLIDE, KIT FOR SEAT 47.0112 | 1 |
| 3 | 47.0180 | SEAT BELT, LAP N/C SWITCH 60" | 1 |
| 3a. | 47.0180-1. | SEAT BELT, 60" LAP BELT RT SID | 1 |
| 3b. | 47.0180-2. | SEAT BELT, BUCKLE W N/C SWTCH | 1 |
| 4 | 99.A07 | LOCKNUT, STOVER 7/16-14 USS. | 2 |
| 5 | 95.07 | WASHER, FLAT 7/16 SAE | 5 |
| 6 | 90.0708 | BOLT, 7/16-14 USS X 1 | 1 |
| 7 | 99.SF05 | NUT, SF 5/16-18 USS | 8 |
| 8 | 99.SF06 | NUT, SF 3/8-16 USS | 4 |
| 9 | 64.0721 | SPACER, SPRING MOUNT | 1 |
| 10. | 41.0057 | SPRING, COMP 1.75 OD X 4.25 LG. | 3 |
| 11. | 92.08 | NUT, 1/2-13 USS | 5 |
| 12. | 90.0618 | BOLT, 3/8-16 USS X 2 1/4 | 1 |
| 13. | 05.0053 | BOOT, SPRING 1-11/16 ID X 1. | 3 |
| 14. | 90.0610 | BOLT, 3/8-16 USS X 1 1/4 | 2 |
| 15. | 90.0710 | BOLT, 7/16-14 USS X 1 1/4 | 1 |
| 16. | 64.0794 | BRACKET, SEATBELT | 1 |
| 17. | 99.SF04 | NUT, SF 1/4-20 USS | 3 |
| 18. | 99.K0069 | BOLT, BUT HD SOCK SS 1/4 X 5/8 | 1 |
| 19. | 62.1001 | PLATE, SEAT KT | 1 |
| 20. | 05.0044 | GROMMET, 1 ID, 1-3/8OD, 3/32TK | 1 |
| 21. | 62.1040 | BRACKET, SEAT PROP | 1 |
| 22. | 99.SF0606 | BOLT, SF 3/8-16 USS X 3/4 | 1 |
| 23. | 64.0955 | LATCH, SEAT KT. | 1 |
| 24. | 90.0406 | BOLT, 1/4-20 USS X 3/4 | 1 |
| 25. | 64.1095 | BRACKET, SEAT PLATE HINGE LH. | 1 |
| 26. | 90.0506 | BOLT, 5/16-18 USS X 3/4 | 4 |
| 27. | 90.0816 | BOLT, 1/2-13 USS X 2 | 2 |
| 28. | 99.E0058 | NUT, JAM 1/2-13 USS | 2 |
| 29. | 64.1094 | BRACKET, SEAT PLATE HINGE RH. | 1 |
| 30. | 85.B0027 | BUSHING, 1/2 ID X 5/8 OD X 5/8 | 2 |
| 31. | 95.05 | WASHER, FLAT 5/16 SAE | 4 |

FRAME, SHEET METAL

ILLUSTRATED DRAWING FRONT FRAME, UPPER

SERIAL # 2555-3482



FRAME, SHEET METAL

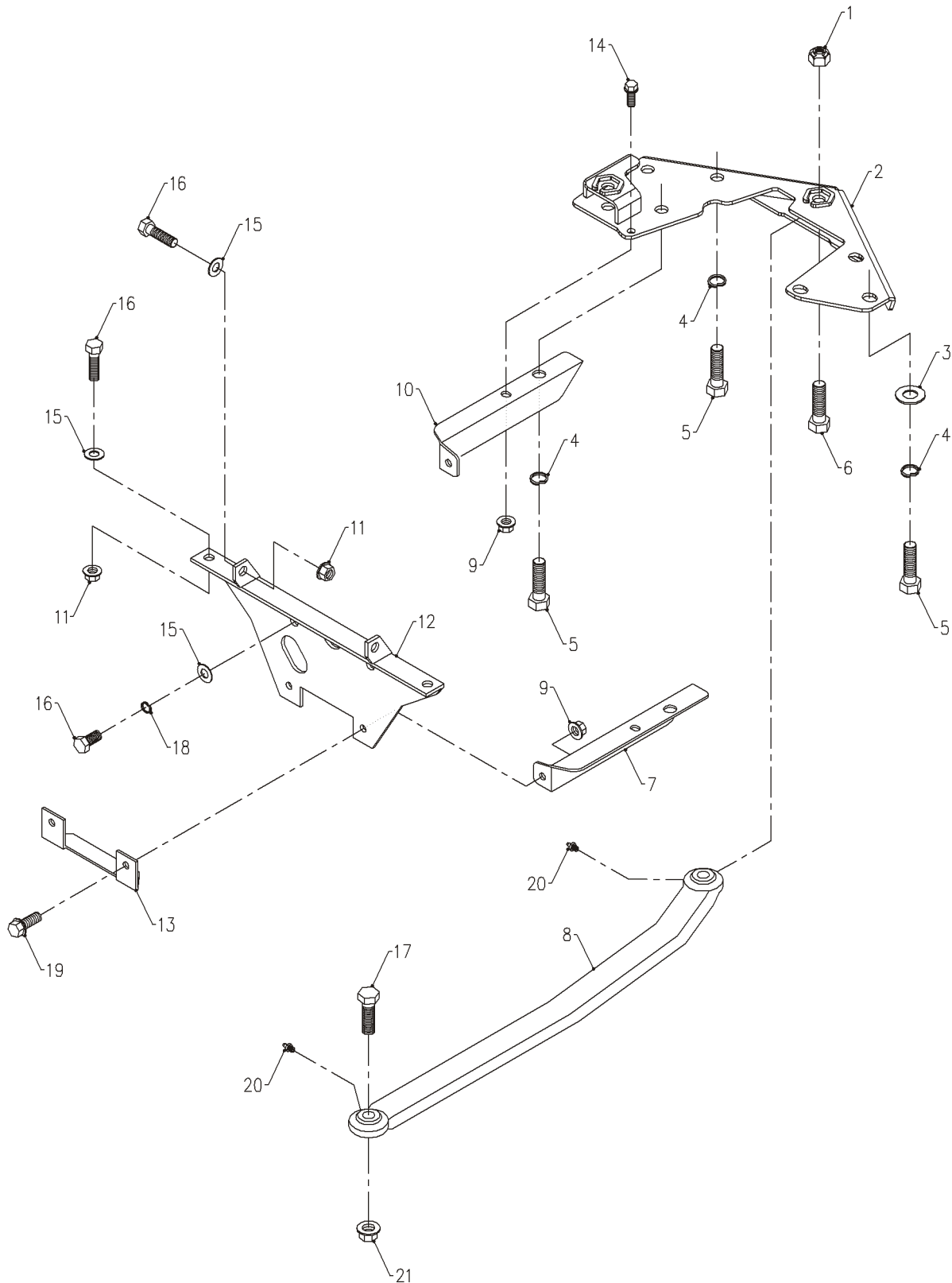
FRONT FRAME, UPPER

| REF. | PART NO. | DESCRIPTION | QTY. |
|------|-----------|---|------|
| 1 | 99.SF04 | NUT, SF 1/4-20 USS | 3 |
| 2 | 11.0062 | CLAMP, HOSE SINGLE CAVITY (Serial # 2555-3316) | 2 |
| 2 | 11.0068 | CLAMP, HOSE (Serial # 3317-3482) | 2 |
| 3 | 90.0414 | BOLT, 1/4-20 USS X 1 3/4 | 2 |
| 4 | 95.04 | WASHER, FLAT 1/4 SAE | 2 |
| 5 | 99.A04 | LOCKNUT, STOVER 1/4-20 USS | 2 |
| 6 | 99.SF0404 | BOLT, SF 1/4-20 X 1/2 | 2 |
| 7 | 60.0812 | RETAINER, MAIN HOSE (Serial # 2555-3225) | 1 |
| 8 | 05.0073 | GROMMET, 2 ID, 2-3/4 OD 9/16 T (Serial # 2555-3482) | 2 |
| 8 | 05.0073 | GROMMET, 2 ID, 2-3/4 OD 9/16 T (Serial # 3483-) | 1 |
| 9 | 64.1185 | FOOT PEG, RIGHT | 1 |
| 10 | 99.SF0506 | BOLT, SF 5/16-18 USS X 3/4 | 6 |
| 11 | 64.0927 | PLATE, TRANSFER CH ATTACH, RH | 1 |
| 12 | 99.SF05 | NUT, SF 5/16-18 USS | 8 |
| 13 | 06.0044 | CAP, PLASTIC 1/8 X 1/2 X 7/8 | 1 |
| 14 | 64.1042 | LOCK, FRONT HITCH | 1 |
| 15 | 99.A05 | LOCKNUT, STOVER 5/16-18 USS | 1 |
| 16 | 95.05 | WASHER, FLAT 5/16 SAE | 3 |
| 17 | 90.0508 | BOLT, 5/16-18 USS X 1 | 1 |
| 18 | 02.CP0413 | COTTER PIN, 1/8 X 1 5/8 | 1 |
| 19 | 99.E0057 | NUT, CASTLE 5/8-18 SAE | 1 |
| 20 | 99.K0077 | BOLT, 5/16-24 SAE X 1 GRADE 8 | 4 |
| 21 | 43.101* | BALL JOINT, MAIN ARTICULATING | 1 |
| 22 | 99.A05NF | LOCKNUT, STOVER 5/16-24 SAE | 4 |
| 23 | 64.0928 | PLATE, TRANSFER CH ATTACH, LH | 1 |
| 24 | 44.0221 | FLEX TREAD, FOOT PEG | 2 |
| 25 | 64.1186 | FOOT PEG, LEFT | 1 |
| 26 | 64.0696 | BRACKET, SLIDE-HI/LOW SHIFT | 1 |
| 27 | 99.SF0406 | BOLT, SF 1/4-20 X 3/4 | 1 |
| 28 | 64.0917 | BRACKET, NEUTRAL SWITCH | 1 |
| 29 | 05.0036 | GROMMET, 1 1/2ID, 2 1/8OD, 9/16T | 1 |
| 30 | 62.0901 | FRAME, MAIN FRONT KT | 1 |
| 31 | 99.SF0508 | BOLT, SF 5/16-18 USS X 1 | 2 |
| 32 | 11.0046 | CLAMP, CUSHIONED METAL 1/2" (Serial # 2555-3687) | 1 |
| 32 | 11.0071 | CLAMP, CUSHIONED METAL 3/4" (Serial #3688-) | 1 |
| 33 | 44.0258 | SLEEVE, HOSE PROTECTOR 8" (Serial # 3226-) | 2 |
| 34 | 30.0204 | TYTON TIE, #50 .190 X 12" (Serial # 3226-) | 6 |
| 35 | 64.1462 | MOUNT, KT BULKHEAD FITTING (Serial # 3483-) | 1 |

*43.101 ball joint includes references 18, 19, & 20.

FRAME, SHEET METAL

ILLUSTRATED DRAWING FRONT FRAME, LOWER



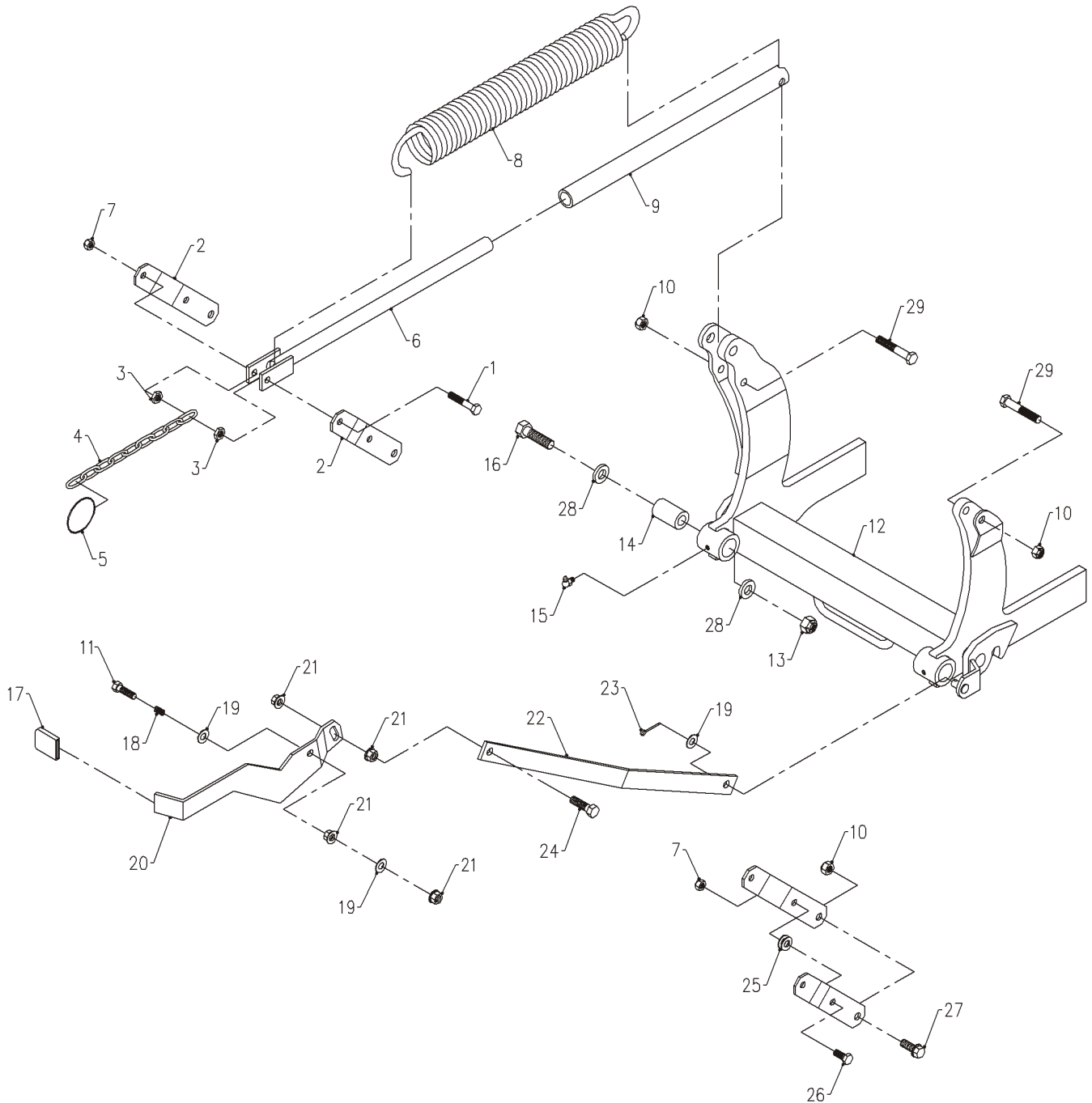
FRAME, SHEET METAL

FRONT FRAME, LOWER

| REF. | PART NO. | DESCRIPTION | QTY. |
|------|-----------|---|------|
| 1 | 99.A10NF | LOCKNUT, STOVER 5/8-18 SAE (Serial # 2555-3414) | 1 |
| 1 | 99.E0095 | LOCKNUT, 5/8-11 HEAVY NYLON (Serial # 3415-) | 2 |
| 2 | 62.0903 | FRAME, FRONT CONN. LINK ANCHOR | 1 |
| 3 | 95.10 | WASHER, FLAT 5/8 SAE | 3 |
| 4 | 96.10 | WASHER, LOCK 5/8 | 6 |
| 5 | 90.1010 | BOLT, 5/8-11 USS X 1 1/4 | 6 |
| 6 | 91.1018 | BOLT, 5/8-18 SAE X 2 1/4 (Serial # 2555-3414) | 1 |
| 6 | 99.K0112 | BOLT, 5/8-11 X 2-1/2 GRD A325 (Serial # 3415-) | 1 |
| 7 | 64.0708 | SKID PLATE, BOTTOM RIGHT | 1 |
| 8 | 42.0438 | LINK, FRONT/REAR CONNECTOR (Serial # 2555-3398) | 1 |
| 8 | 42.0545 | LINK, FRONT/REAR CONNECTOR (Serial # 3399-) | 1 |
| 9 | 99.SF06 | NUT, SF 3/8-16 USS | 3 |
| 10 | 64.0709 | SKID PLATE, BOTTOM LEFT | 1 |
| 11 | 99.SF08 | NUT, SF 1/2-13 USS | 4 |
| 12 | 62.0902 | FRAME, CROSS MEMBER | 1 |
| 13 | 64.1018 | SUPPORT, BELLY BAR | 1 |
| 14 | 99.SF0606 | BOLT, SF 3/8-16 USS X 3/4 | 1 |
| 15 | 95.08 | WASHER, FLAT 1/2 SAE | 6 |
| 16 | 90.0808 | BOLT, 1/2-13 USS X 1 | 6 |
| 17 | 91.1016 | BOLT, 5/8-18 SAE X 2 (Serial # 2555-3414) | 1 |
| 17 | 99.K0110 | BOLT, 5/8-11 X 2 GRD A325 (Serial # 3415-) | 1 |
| 18 | 96.08 | WASHER, LOCK 1/2 | 2 |
| 19 | 99.SF0608 | BOLT, SF 3/8-16 USS X 1 | 2 |
| 20 | 29.GF0001 | GREASE FTG, 1/4 SAE ST (Serial # 3399-) | 2 |
| 21 | 99.A10NF | LOCKNUT, STOVER 5/8-18 SAE (Serial # 2555-3414) | 1 |
| 21 | 99.E0094 | LOCKNUT, 5/8-11 FLANGED STOVER (Serial # 3415-) | 1 |

FRAME, SHEET METAL

ILLUSTRATED DRAWING FRONT HITCH & WEIGHT TRANSFER



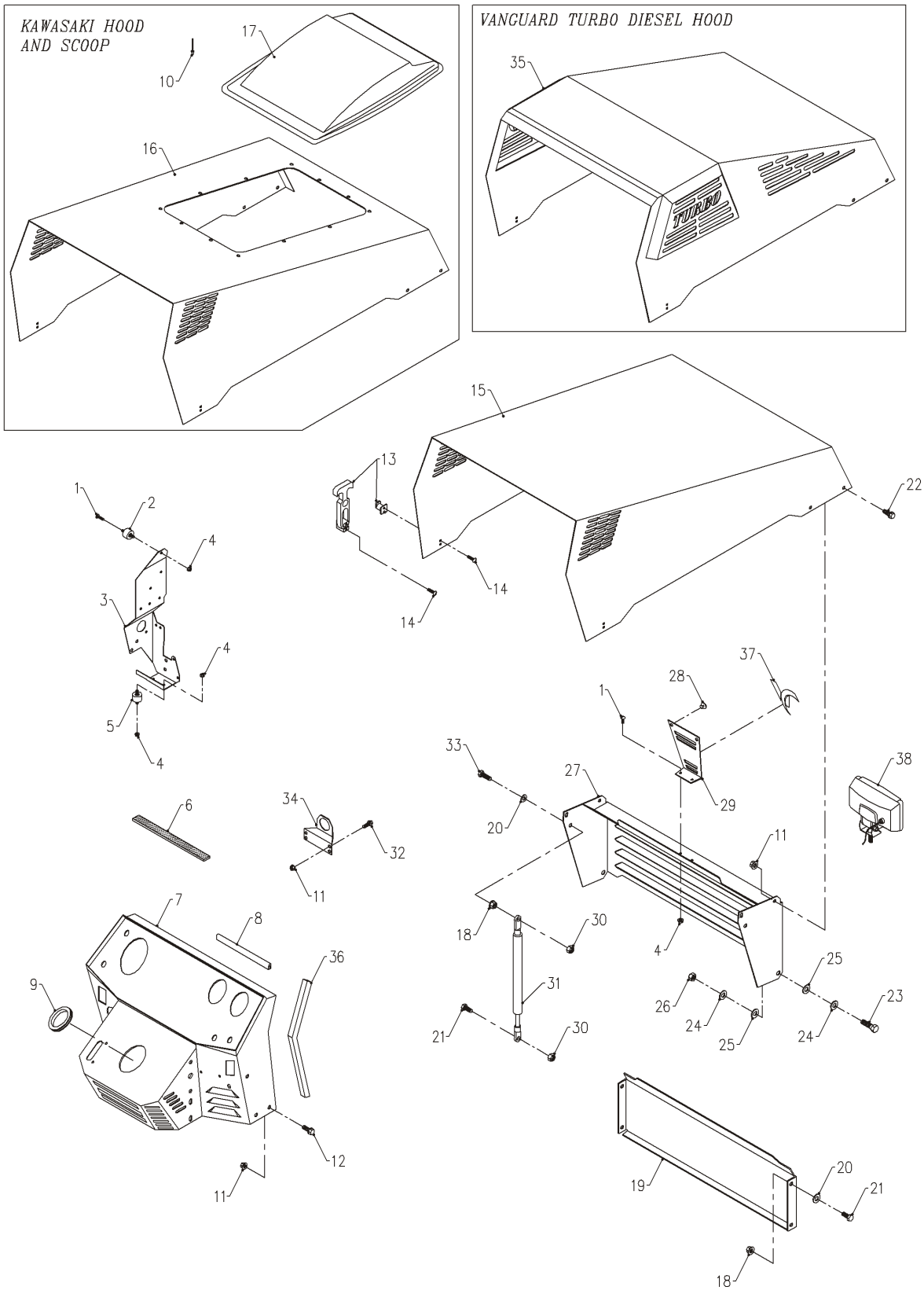
FRAME, SHEET METAL

FRONT HITCH & WEIGHT TRANSFER

| REF. | PART NO. | DESCRIPTION | QTY. |
|------|-----------|--------------------------------|------|
| 1 | 90.0514 | BOLT, 5/16-18 USS X 1 3/4 | 2 |
| 2 | 42.0440 | LINK, WEIGHT TRANSFER KT | 4 |
| 3 | 99.E0037 | NUT, JAM 3/8-16 USS | 4 |
| 4 | 81.0139 | CHAIN, 3/16 X 10 LINKS-9-3/4" | 2 |
| 5 | 04.0021 | RING, SPLIT 1.640 OD .168W ZP | 2 |
| 6 | 42.0436 | RODS, INTERNAL WEIGHT TRANSFER | 2 |
| 7 | 99.A05 | LOCKNUT, STOVER 5/16-18 USS | 4 |
| 8 | 41.0068 | SPRING, EXT 2-1/4 OD X 14-1/2" | 2 |
| 9 | 42.0435 | PIPES, WEIGHT TRANSFER KT | 2 |
| 10 | 99.A06 | LOCKNUT, STOVER 3/8-16 USS | 4 |
| 11 | 90.0614 | BOLT, 3/8-16 USS X 1 3/4 | 1 |
| 12 | 62.1249 | FRAME, FRONT HITCH KT | 1 |
| 13 | 99.A08 | LOCKNUT, STOVER 1/2-13 USS | 2 |
| 14 | 64.0720 | BUSHING, .516 X 1.000 X 1.625 | 2 |
| 15 | 29.GF0002 | GREASE FTG, 1/4 SAE 90 | 2 |
| 16 | 90.0824 | BOLT, 1/2-13 USS X 3 | 2 |
| 17 | 06.0051 | CAP, 3/16 X 15/16 X 1-3/4 FE | 1 |
| 18 | 41.0039 | SPRING, COMP. 9/16 OD X 5/8 | 1 |
| 19 | 95.06 | WASHER, FLAT 3/8 SAE | 3 |
| 20 | 40.0306 | HANDLE, LATCH- FRONT HITCH | 1 |
| 21 | 99.SF06 | NUT, SF 3/8-16 USS | 4 |
| 22 | 42.0456 | LINK, CONNECTING FOR FRT HITCH | 1 |
| 23 | 02.CP0506 | COTTER PIN, 5/32 X 3/4 | 1 |
| 24 | 90.0610 | BOLT, 3/8-16 USS X 1 1/4 | 1 |
| 25 | 95.06 | WASHER, FLAT 3/8 SAE | 4 |
| 26 | 90.0506 | BOLT, 5/16-18 USS X 3/4 | 2 |
| 27 | 99.SF0608 | BOLT, SF 3/8-16 USS X 1 | 2 |
| 28 | 99.B0092 | WASHER, 17/32ID X 1"OD X .165 | 4 |
| 29 | 90.0618 | BOLT, 3/8-16 USS X 2 1/4 | 2 |

FRAME, SHEET METAL

ILLUSTRATED DRAWING HOOD, GRILL, & DASH



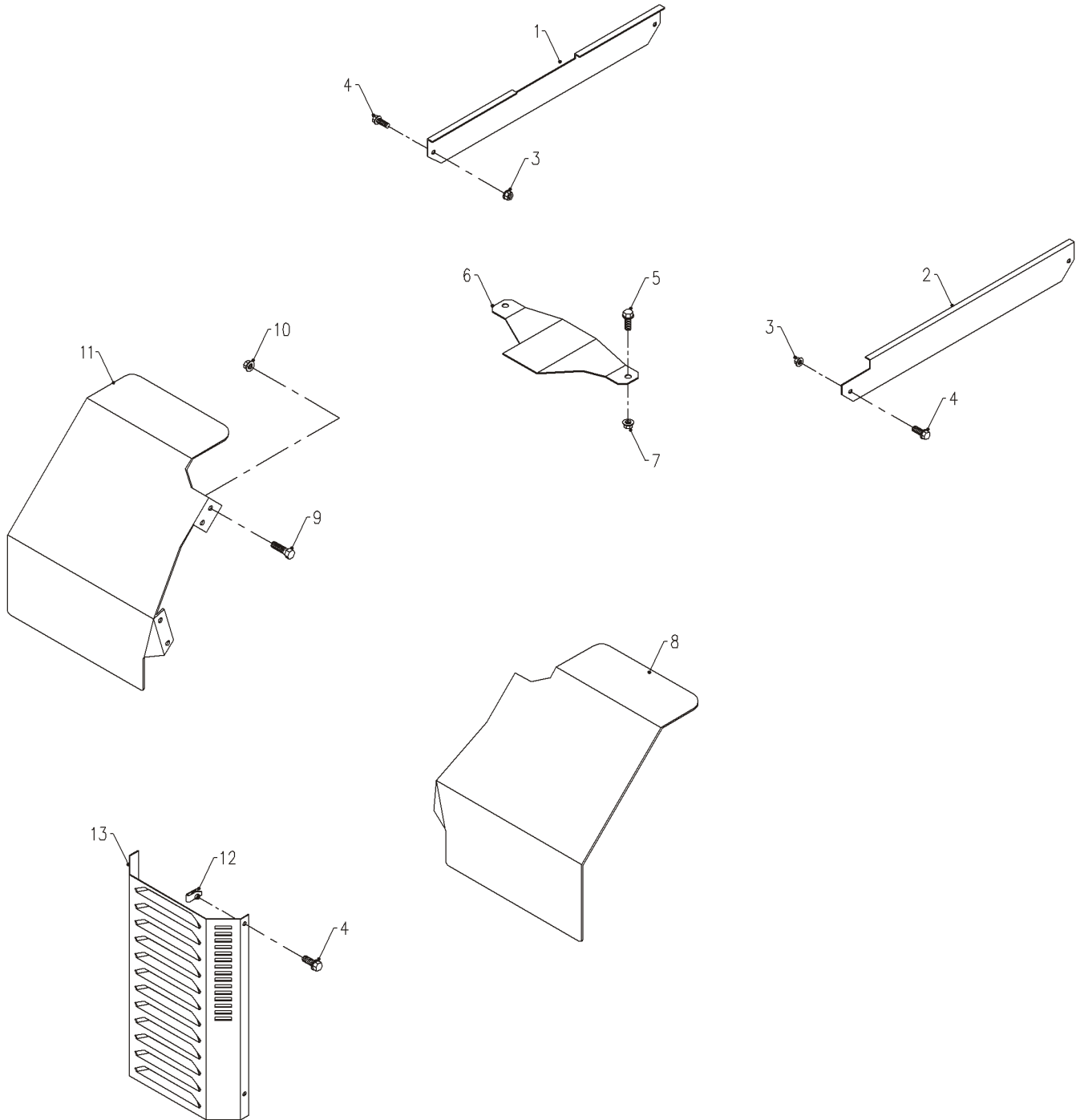
FRAME, SHEET METAL

HOOD, GRILL, & DASH

| REF. | PART NO. | DESCRIPTION | QTY. |
|------|-----------------|--|------|
| 1 | 99.K0062 | MACHINE SCREW, #10-32 X 1/2 | 9 |
| 2 | 05.0081 | ISOLATOR, 10-32 X 1/2 X 5/8 | 1 |
| 3 | 64.0922 | MOUNT, ELECTRICAL PANEL | 1 |
| 4 | 99.E0035 | NUT, SF #10-32 | 13 |
| 5 | 05.0075 | ISOLATOR, 10-32 X 1/2 X 5/8 | 2 |
| 6 | 06.0045-17.25IN | WEATHERSTRIP, 1/8 X 3/4 X 17-1/4" | 1 |
| 7 | 62.0904 | DASH, BASIC | 1 |
| 8 | 06.0042-48IN | TRIM, TRIM LOC 1/2 X 1/16 X 48" | 1 |
| 9 | 05.0080 | GROMMET, 2-3/4ID,3-5/8OD,5/16T | 1 |
| 10 | 04.0003 | RIVET, POP 1/8 X 3/8 | 12 |
| 11 | 99.SF04 | NUT, SF 1/4-20 USS | 14 |
| 12 | 99.SF0405-1 | BOLT, SMF 1/4-20 X 5/8 | 8 |
| 13 | 47.0127 | LATCH, RUBBER DRAW T-HANDLE | 2 |
| 14 | 99.K0072 | MACHINE SCREW, 10-24 X 1/2 ZP | 6 |
| 15 | 60.0867 | HOOD, STANDARD | 1 |
| 16 | 60.0809 | HOOD, WITH SCOOP CUTOUT | 1 |
| 17 | 47.0197 | SCOOP, HOOD | 1 |
| 18 | 99.SF05 | NUT, SF 5/16-18 USS | 5 |
| 19 | 60.0804 | BUMPER, FRONT | 1 |
| 20 | 95.05 | WASHER, FLAT 5/16 SAE | 5 |
| 21 | 90.0506 | BOLT, 5/16-18 USS X 3/4 | 5 |
| 22 | 99.SF0404-1 | BOLT, SF 1/4-20 X 1/2 W/RUBBER | 4 |
| 23 | 90.0608 | BOLT, 3/8-16 USS X 1 | 2 |
| 24 | 95.06 | WASHER, FLAT 3/8 SAE | 4 |
| 25 | 05.0083 | WASHER,PVC.375 ID X.875 X .062 | 4 |
| 26 | 99.A06 | LOCKNUT, STOVER 3/8-16 USS | 2 |
| 27 | 60.0919 | GRILL, FRONT KT | 1 |
| 28 | 05.0062 | BUMPER, RUBBER SOLID STEM | 2 |
| 29 | 60.0805 | GRILL, FILLER KT | 1 |
| 30 | 99.A05 | LOCKNUT, STOVER 5/16-18 USS | 2 |
| 31 | 47.0267 | SHOCK, GAS SPRING .59 DIA 20# | 1 |
| 32 | 99.SF0404 | BOLT, SF 1/4-20 X 1/2 | 2 |
| 33 | 90.0508 | BOLT, 5/16-18 USS X 1 | 1 |
| 34 | 64.1047 | BRACKET, ALARM MOUNT | 1 |
| 35 | 60.0846 | HOOD, KT TURBO | 1 |
| 36 | 06.0055-12IN | WEATHERSTRIP, 3/8 X 3/4 X 12" (Gas & Diesel) | 2 |
| 36 | 06.0053-12IN | WEATHERSTRIP, 9/16 X 3/4 X 12" (Turbo Diesel only) | 2 |
| 37 | 00.0210 | DECAL, V-DECAL 3D | 1 |
| 38 | 33.0043 | LIGHT, HEAD 12V 55W HALOGEN | 1 |

FRAME, SHEET METAL

ILLUSTRATED DRAWING SHIELDS & FENDERS



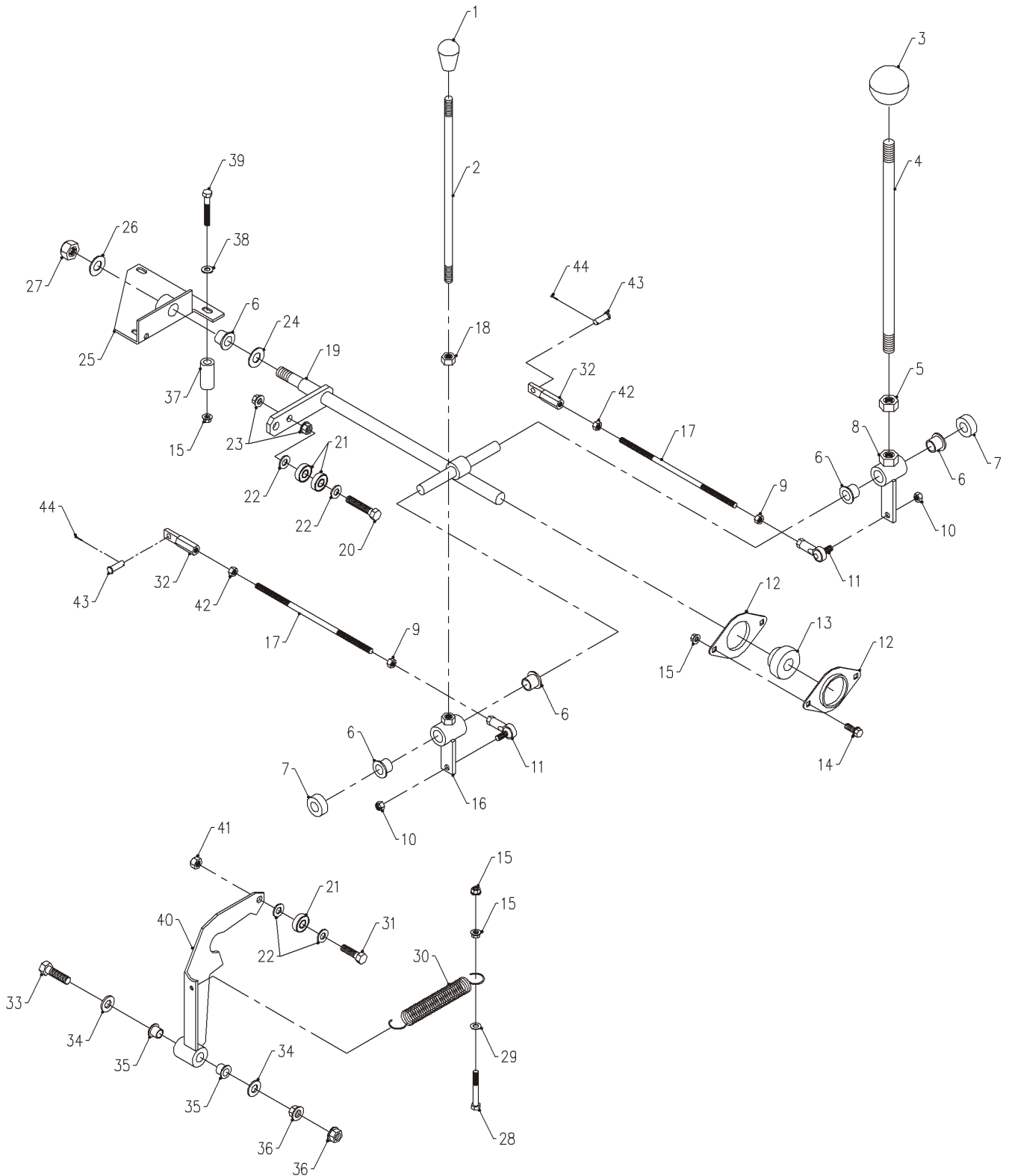
FRAME, SHEET METAL

SHIELDS & FENDERS

| REF. | PART NO. | DESCRIPTION | QTY. |
|-------------|-----------------------|--|------|
| 1 | 60.0806 | COVER, TRANSFER SPRNG LEFT (4227 Gas, 4226 Diesel) | 1 |
| 1 | 60.1043 | COVER, TRANSFER SPRNG LEFT (4231 Gas, 4231 Turbo Diesel). | 1 |
| 2 | 60.0807 | COVER, TRANSFER SPRG, RT SIDE. | 1 |
| 3 | 99.SF04 | NUT, SF 1/4-20 USS | 4 |
| 4 | 99.SF0405-1 | BOLT, SMF 1/4-20 X 5/8 | 8 |
| 5 | 99.SF0606 | BOLT, SF 3/8-16 USS X 3/4 | 2 |
| 6 | 60.0820 | COVER, DRIVE LINE KAWASAKI | 1 |
| 7 | 99.SF06 | NUT, SF 3/8-16 USS | 2 |
| 8 | 60.0891 | FENDER, FRONT RIGHT 12" BOTTOM. | 1 |
| 9 | 90.0506 | BOLT, 5/16-18 USS X 3/4 | 8 |
| 10. | 99.SF05 | NUT, SF 5/16-18 USS | 8 |
| 11. | 60.0892 | FENDER, FRONT LEFT 12" BOTTOM. | 1 |
| 12. | 99.E0046 | NUT, "U" 1/4-20 EXTRUDED | 4 |
| 13. | 60.0808 | COVER, PUMP KT. | 1 |

CONTROLS & LINKAGE

ILLUSTRATED DRAWING HAND CONTROLS, REAR



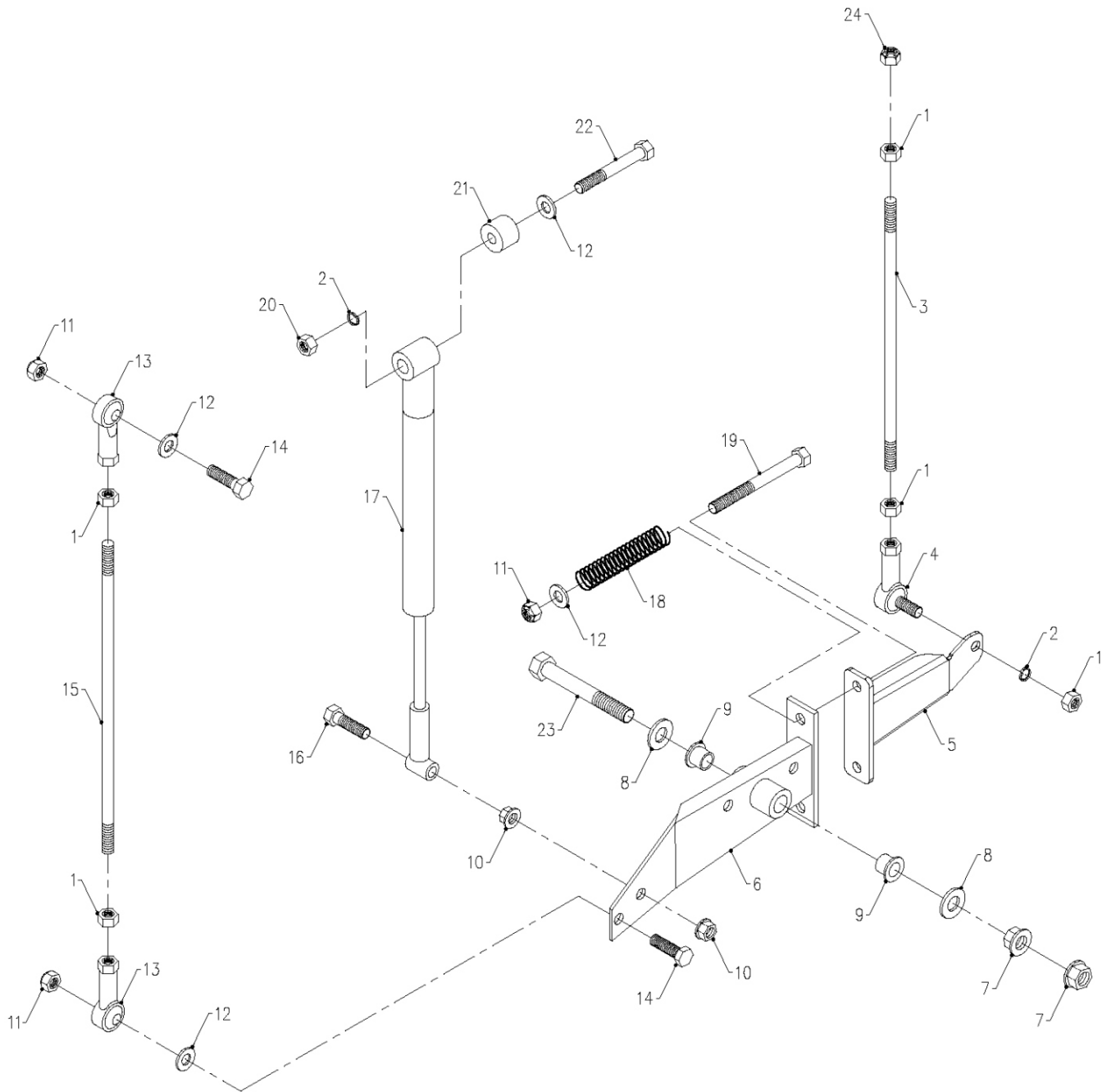
CONTROLS & LINKAGE

HAND CONTROLS, REAR

| REF. | PART NO. | DESCRIPTION | QTY. |
|------|-----------|--------------------------------|------|
| 1 | 47.0001 | KNOB, SM. #80 3/8-16 THREAD | 1 |
| 2 | 40.0241 | HANDLE, AUX CONTROL YZP | 1 |
| 3 | 47.0003 | KNOB, ROUND 2" X 1/2-13 | 1 |
| 4 | 40.0240 | HANDLE, F/R CONTROL YZP | 1 |
| 5 | 92.08-4 | NUT, 1/2-13 YELLOW ZP | 1 |
| 6 | 85.B0027 | BUSHING, 1/2 ID X 5/8 OD X 5/8 | 5 |
| 7 | 85.SC08 | SET COLLAR, 1/2" | 2 |
| 8 | 42.0400 | ARM, PIVOT LIFT HYD. VALVE | 1 |
| 9 | 93.04 | NUT, 1/4-28 SAE | 2 |
| 10 | 99.A04NFN | LOCKNUT, NYLON 1/4-28 | 2 |
| 11 | 43.004S | ROD END, 1/4 SPHERICAL W/STUD | 2 |
| 12 | 55.0028 | FLANGE, BRG MNT 1.573/1.577 ID | 2 |
| 13 | 55.0029 | BEARING, SPHERICAL UHMW 5/8 ID | 1 |
| 14 | 99.SF0406 | BOLT, SF 1/4-20 X 3/4 | 2 |
| 15 | 99.SF04 | NUT, SF 1/4-20 USS | 5 |
| 16 | 42.0399 | ARM, PIVOT AUX. HYD. VALVE | 1 |
| 17 | 42.0472 | ROD, THREAD 1/4-28X8"RH/LH YZP | 2 |
| 18 | 92.06-4 | NUT, 3/8-16 YELLOW ZP | 1 |
| 19 | 42.0389 | ROD, TORSION F/R ARM | 1 |
| 20 | 90.0512 | BOLT, 5/16-18 USS X 1 1/2 | 1 |
| 21 | 55.0022 | BEARING, BALL .315 IDX.8661 OD | 3 |
| 22 | 95.05 | WASHER, FLAT 5/16 SAE | 4 |
| 23 | 99.SF05 | NUT, SF 5/16-18 USS | 2 |
| 24 | 95.08 | WASHER, FLAT 1/2 SAE | 1 |
| 25 | 64.0684 | PLATE, VALVE - F/R ARM ANCHOR | 1 |
| 26 | 05.0052 | WASHER, PLASTIC | 1 |
| 27 | 99.A08 | LOCKNUT, STOVER 1/2-13 USS | 1 |
| 28 | 90.0410 | BOLT, 1/4-20 USS X 1 1/4 | 1 |
| 29 | 94.04 | WASHER, FLAT 1/4 USS | 1 |
| 30 | 41.0020 | SPRING, 4 1/4-EXT .765 OD | 1 |
| 31 | 90.0508 | BOLT, 5/16-18 USS X 1 | 1 |
| 32 | 43.004-4 | ROD END, 1/4-28LH YZP VAL CTRL | 2 |
| 33 | 90.0620 | BOLT, 3/8-16 USS X 2 1/2 | 1 |
| 34 | 95.06 | WASHER, FLAT 3/8 SAE | 2 |
| 35 | 85.B0068 | BUSHING, 3/8 X 1/2 OD X 5/8 LG | 2 |
| 36 | 99.SF06 | NUT, SF 3/8-16 USS | 2 |
| 37 | 64.0719 | SPACER, VALVE PLATE | 1 |
| 38 | 95.04 | WASHER, FLAT 1/4 SAE | 3 |
| 39 | 90.0418 | BOLT, 1/4-20 USS X 2 1/4 | 3 |
| 40 | 40.0317 | ARM, F/R LEVER LOCK KT | 1 |
| 41 | 99.A05 | LOCKNUT, STOVER 5/16-18 USS | 1 |
| 42 | 99.E0081 | NUT, 1/4-28 LH GRADE 8 YZ | 2 |
| 43 | 03.0406 | CLEVIS PIN, 1/4 X 3/4 | 2 |
| 44 | 02.CP0204 | COTTER PIN, 1/16 X 1/2 | 2 |

CONTROLS & LINKAGE

ILLUSTRATED DRAWING FORWARD/REVERSE ROCKER



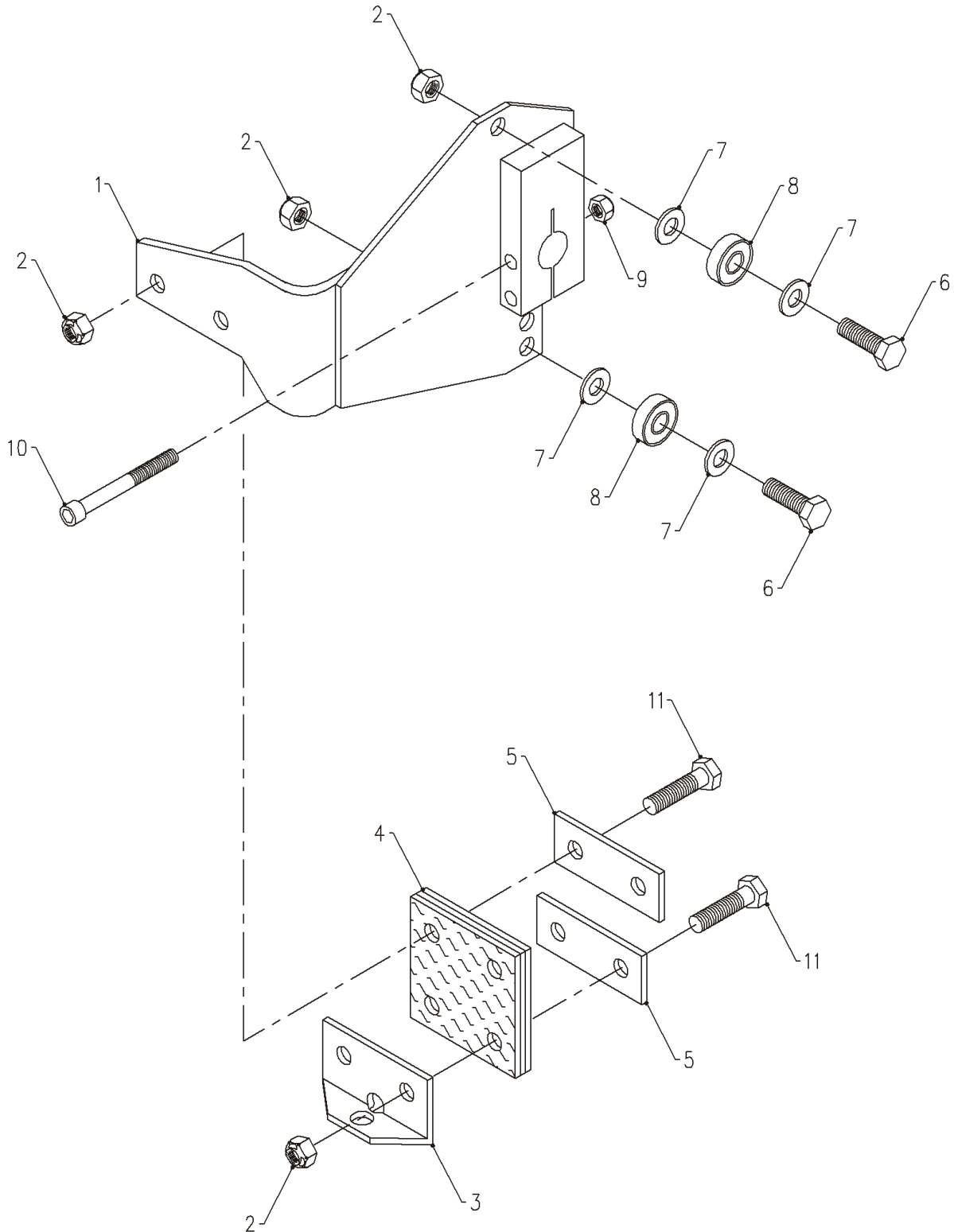
CONTROLS & LINKAGE

FORWARD/REVERSE ROCKER

| REF. | PART NO. | DESCRIPTION | QTY. |
|------|-----------|--|------|
| 1 | 93.06 | NUT, 3/8-24 SAE | 5 |
| 2 | 96.06 | WASHER, LOCK 3/8 | 2 |
| 3 | 42.0393 | LINK, CENTER F/R ROCKER ROD YZP (Serial # 2555-3482) | 1 |
| 3 | 42.0547 | LINK, FRONT F/R (Serial # 3483-) | 1 |
| 4 | 43.006S | ROD END, 3/8 SPHERICAL W/STUD | 1 |
| 5 | 40.0269 | ARM, ROCKER F/R LEVER FRONT PC (Serial # 2555-3482) | 1 |
| 5 | 40.0364 | ARM, FRONT ROCKER (Serial # 3483-) | 1 |
| 6 | 40.0268 | ARM, ROCKER F/R LEVER REAR PC | 1 |
| 7 | 99.SF08 | NUT, SF 1/2-13 USS | 2 |
| 8 | 95.08 | WASHER, FLAT 1/2 SAE | 2 |
| 9 | 85.B0027 | BUSHING, 1/2 ID X 5/8 OD X 5/8 | 2 |
| 10 | 99.SF06 | NUT, SF 3/8-16 USS | 2 |
| 11 | 99.A06 | LOCKNUT, STOVER 3/8-16 USS | 4 |
| 12 | 95.06 | WASHER, FLAT 3/8 SAE | 5 |
| 13 | 43.006 | ROD END, 3/8 SPHERICAL | 2 |
| 14 | 90.0610 | BOLT, 3/8-16 USS X 1 1/4 | 2 |
| 15 | 42.0392 | LINK, REAR F/R ROCKER ROD YZP | 1 |
| 16 | 90.0612 | BOLT, 3/8-16 USS X 1 1/2 | 1 |
| 17 | 47.0002 | STABILIZER, STEERING DAMP | 1 |
| 18 | 41.0063 | SPRING, COMP. 3/4 OD X 4" LG | 2 |
| 19 | 90.0628 | BOLT, 3/8-16 USS X 3 1/2 | 2 |
| 20 | 92.06 | NUT, 3/8-16 USS | 1 |
| 21 | 64.0722 | BUSHING, F/R / SHOCK MOUNT | 1 |
| 22 | 90.0620 | BOLT, 3/8-16 USS X 2 1/2 | 1 |
| 23 | 90.0830 | BOLT, 1/2-13 USS X 3-3/4 | 1 |
| 24 | 99.A06NFN | LOCKNUT, NYLON 3/8-24 SAE ZP | 1 |

CONTROLS & LINKAGE

ILLUSTRATED DRAWING PUMP CONTROL ARM



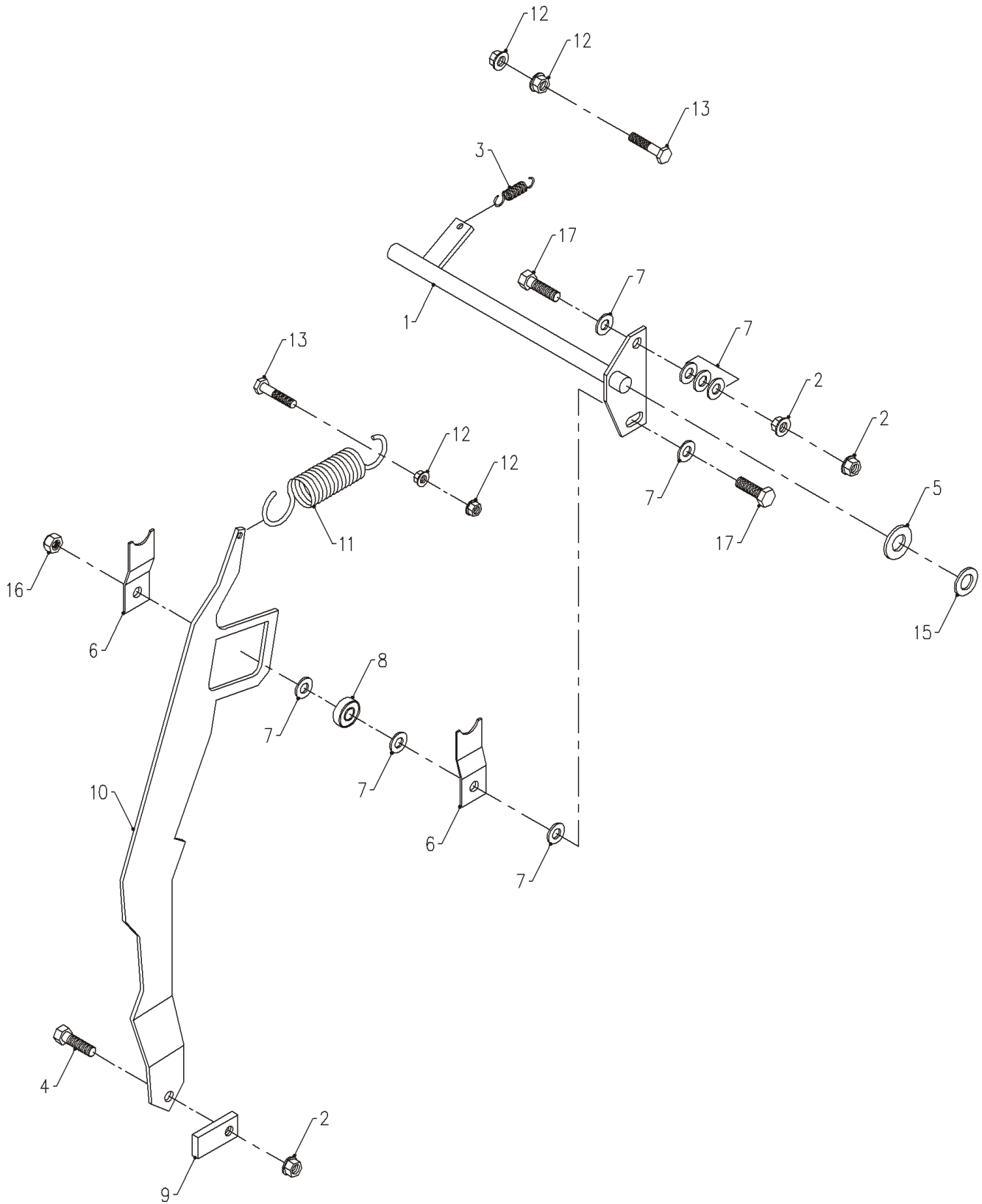
CONTROLS & LINKAGE

PUMP CONTROL ARM

| REF. | PART NO. | DESCRIPTION | QTY. |
|------|-----------|--------------------------------|------|
| 1 | 40.0253 | ARM, CONTROL-SWASH PLATE | 1 |
| 2 | 99.A05 | LOCKNUT, STOVER 5/16-18 USS. | 6 |
| 3 | 64.0764 | BRACKET, CONNECTOR | 1 |
| 4 | 44.0161 | LINK, RUBBER FOR SHIFT LINKAGE | 1 |
| 5 | 64.0763 | CLAMP, RUBBER CONNECTOR | 2 |
| 6 | 90.0508 | BOLT, 5/16-18 USS X 1 | 2 |
| 7 | 95.05 | WASHER, FLAT 5/16 SAE | 4 |
| 8 | 55.0022 | BEARING, BALL .315 IDX.8661 OD | 2 |
| 9 | 99.A04NFN | LOCKNUT, NYLON 1/4-28 | 2 |
| 10 | 99.K0076 | BOLT, SHCS 1/4-28 X 2 GRADE 8 | 2 |
| 11 | 90.0510 | BOLT, 5/16-18 USS X 1 1/4 | 4 |

CONTROLS & LINKAGE

ILLUSTRATED DRAWING NEUTRAL POSITION ASSEMBLY



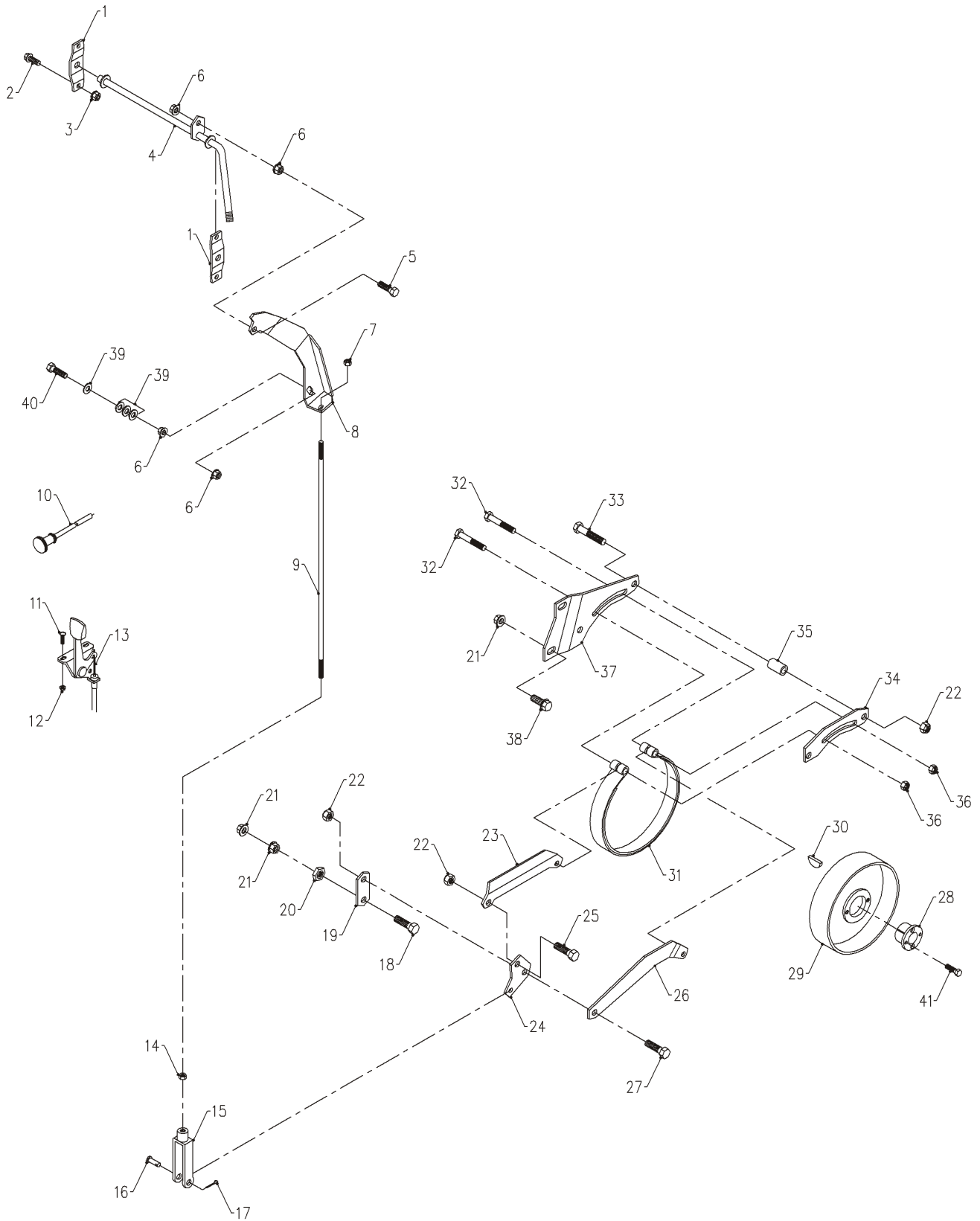
CONTROLS & LINKAGE

NEUTRAL POSITION ASSEMBLY

| REF. | PART NO. | DESCRIPTION | QTY. |
|------|----------|--------------------------------|------|
| 1 | 40.0298 | ARM, ROCKER-NEUTRAL BRG MNT KT | 1 |
| 2 | 99.SF05 | NUT, SF 5/16-18 USS | 3 |
| 3 | 41.0059 | SPRING, EXT. 5/16 OD X 1-1/2 | 1 |
| 4 | 90.0508 | BOLT, 5/16-18 USS X 1 | 1 |
| 5 | 99.B0090 | WASHER, MACH 1/2ID 14GA PLATED | 1 |
| 6 | 64.0690 | CLIP, ALIGNMENT-NEUTRAL BRG | 2 |
| 7 | 95.05 | WASHER, FLAT 5/16 SAE | 8 |
| 8 | 55.0022 | BEARING, BALL .315 IDX.8661 OD | 1 |
| 9 | 64.0714 | NUT, LOCKING NEUTRAL ADJUSTER | 1 |
| 10 | 42.0398 | ARM, NEUTRAL | 1 |
| 11 | 41.0060 | SPRING, EXT. 1" OD X 2-1/2 LG. | 1 |
| 12 | 99.SF04 | NUT, SF 1/4-20 USS | 4 |
| 13 | 90.0410 | BOLT, 1/4-20 USS X 1 1/4 | 2 |
| 15 | 05.0052 | WASHER, PLASTIC | 1 |
| 16 | 99.A05 | LOCKNUT, STOVER 5/16-18 USS. | 1 |
| 17 | 90.0510 | BOLT, 5/16-18 USS X 1 1/4 | 2 |

CONTROLS & LINKAGE

ILLUSTRATED DRAWING PARK BRAKE, THROTTLE, & CHOKE



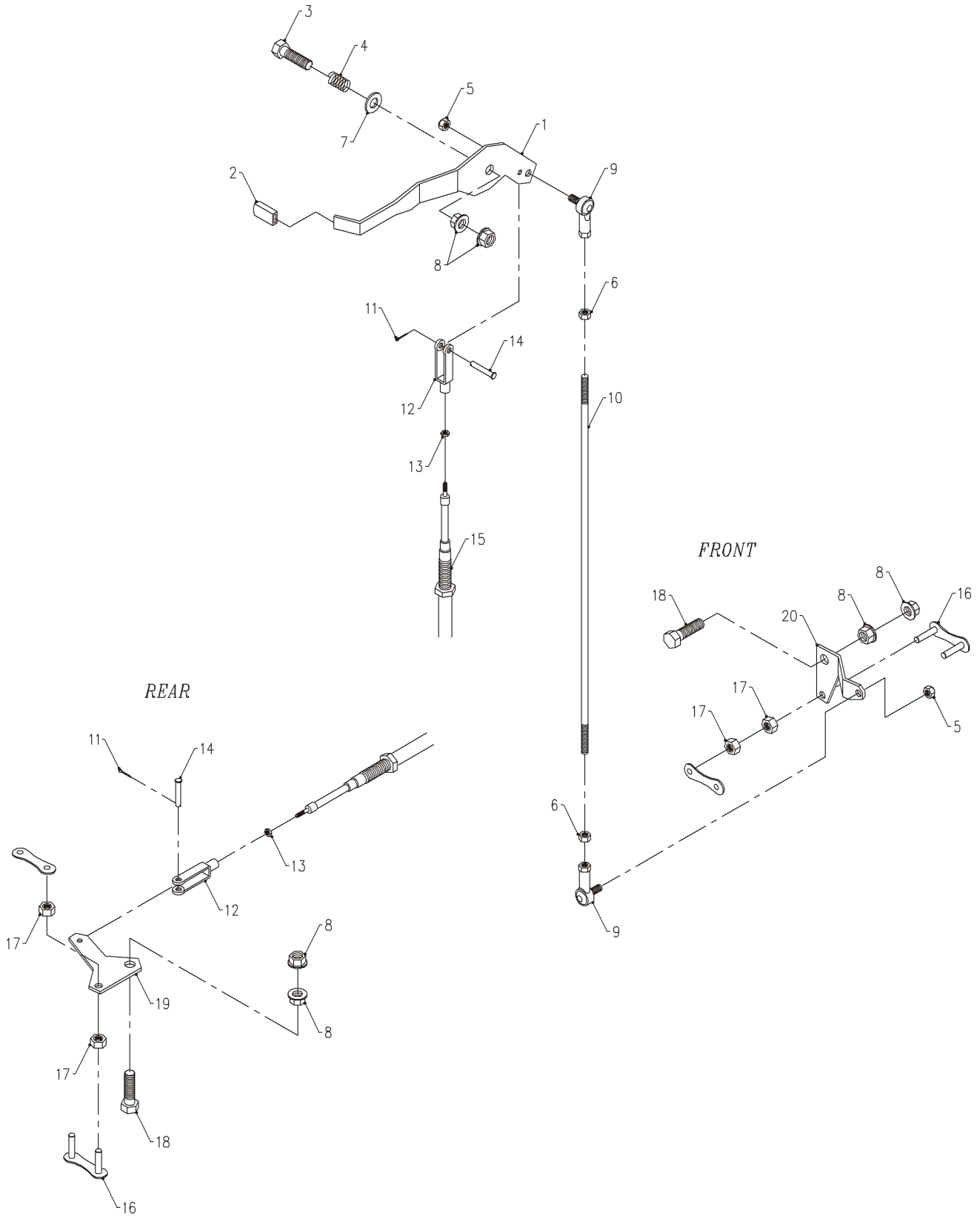
CONTROLS & LINKAGE

PARK BRAKE, THROTTLE, & CHOKE

| REF. | PART NO. | DESCRIPTION | QTY. |
|------|-------------|--------------------------------|------|
| 1 | 64.0942 | PIVOT, PLATE-PARK HANDLE KT. | 2 |
| 2 | 99.SF0405-1 | BOLT, SMF 1/4-20 X 5/8 | 4 |
| 3 | 99.SF04 | NUT, SF 1/4-20 USS | 4 |
| 4 | 40.0295 | HANDLE, PARK BRAKE KT | 1 |
| 5 | 90.0508 | BOLT, 5/16-18 USS X 1 | 1 |
| 6 | 99.SF05 | NUT, SF 5/16-18 USS | 4 |
| 7 | 99.A04NFN | LOCKNUT, NYLON 1/4-28 | 1 |
| 8 | 42.0444 | LINK, BRAKE PULL BAR KT. | 1 |
| 9 | 42.0394 | LINK, BRAKE | 1 |
| 10 | 47.0121 | CABLE, CHOKE 60" LONG, 2" Trav | 1 |
| 11 | 99.K0062 | MACHINE SCREW, #10-32 X 1/2 | 2 |
| 12 | 99.E0035 | NUT, SF #10-32 | 2 |
| 13 | 47.0179 | CABLE, THROTTLE 40" 1-5/8 TRAV | 1 |
| 14 | 93.04 | NUT, 1/4-28 SAE | 1 |
| 15 | 43.C04-28 | CLEVIS END, 1/4-28 | 1 |
| 16 | 03.040638 | CLEVIS PIN, 1/4 X 51/64 | 1 |
| 17 | 02.CP0306 | COTTER PIN, 3/32 X 3/4 | 1 |
| 18 | 90.0612 | BOLT, 3/8-16 USS X 1 1/2 | 1 |
| 19 | 42.0443 | LINK, BRAKE TORQUE KT | 1 |
| 20 | 99.E0058 | NUT, JAM 1/2-13 USS | 1 |
| 21 | 99.SF06 | NUT, SF 3/8-16 USS | 4 |
| 22 | 99.A06 | LOCKNUT, STOVER 3/8-16 USS | 4 |
| 23 | 42.0442 | LINK, BRAKE PUSH KT | 1 |
| 24 | 64.0919 | ROCKER, BRAKE KT | 1 |
| 25 | 90.0606 | BOLT, 3/8-16 USS X 3/4 | 1 |
| 26 | 42.0441 | LINK, BRAKE PULL KT | 1 |
| 27 | 90.0608 | BOLT, 3/8-16 USS X 1 | 1 |
| 28 | 83.H16S-1 | BUSHING, 1" SPLIT 3/16" KEY | 1 |
| 29 | 53.0134 | DRUM, 6" BRAKE -W/TAPER HUB | 1 |
| 30 | 85.W0306 | KEY, WOODRUFF 3/16" X 3/4" | 1 |
| 31 | 53.0076 | BAND, BRAKE FOR 6" DRUM | 1 |
| 32 | 90.0516 | BOLT, 5/16-18 USS X 2 | 2 |
| 33 | 90.0616 | BOLT, 3/8-16 USS X 2 | 2 |
| 34 | 64.0920 | PLATE, BRAKE ANCHOR OUTER | 1 |
| 35 | 64.0718 | SPACER, BRAKE | 2 |
| 36 | 99.A05 | LOCKNUT, STOVER 5/16-18 USS | 2 |
| 37 | 64.0921 | PLATE, BRAKE ANCHOR INNER | 1 |
| 38 | 99.SF0606 | BOLT, SF 3/8-16 USS X 3/4 | 2 |
| 39 | 95.05 | WASHER, FLAT 5/16 SAE | 4 |
| 40 | 90.0510 | BOLT, 5/16-18 USS X 1 1/4 | 1 |
| 41 | 99.K0099 | BOLT, 1/4-20 X 1" GRD 8 | 2 |

CONTROLS & LINKAGE

ILLUSTRATED DRAWING HIGH/LOW SHIFT LINKAGE



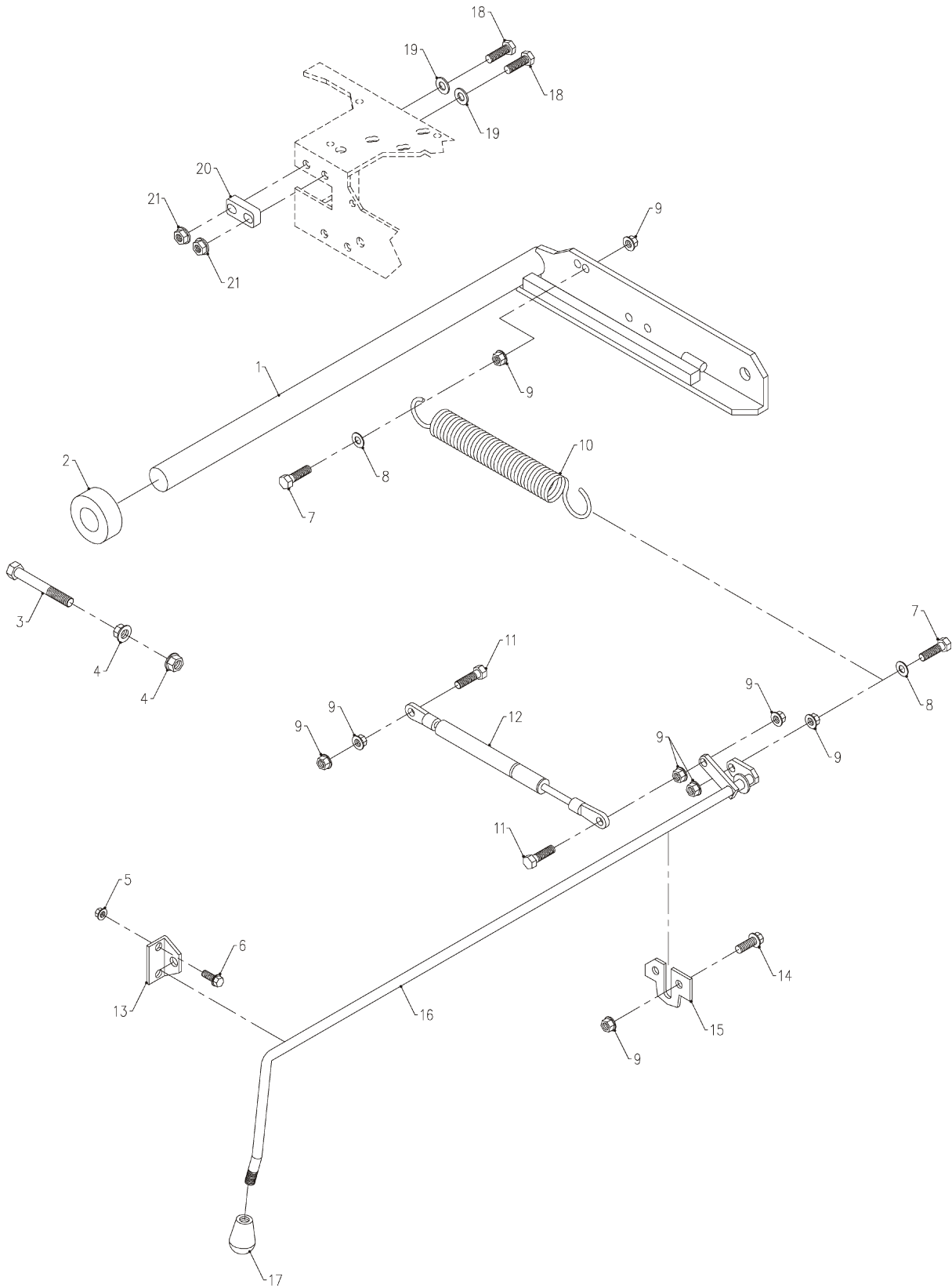
CONTROLS & LINKAGE

HIGH/LOW SHIFT LINKAGE

| REF. | PART NO. | DESCRIPTION | QTY. |
|------|-------------|-------------------------------|------|
| 1 | 40.0296 | HANDLE, HI/LOW SHIFT KT. | 1 |
| 2 | 06.0044 | CAP, PLASTIC 1/8 X 1/2 X 7/8 | 1 |
| 3 | 90.0614 | BOLT, 3/8-16 USS X 1 3/4 | 1 |
| 4 | 41.0039 | SPRING, COMP. 9/16 OD X 5/8 | 1 |
| 5 | 99.A04NFN | LOCKNUT, NYLON 1/4-28 | 2 |
| 6 | 93.04 | NUT, 1/4-28 SAE | 2 |
| 7 | 95.06 | WASHER, FLAT 3/8 SAE | 1 |
| 8 | 99.SF06 | NUT, SF 3/8-16 USS | 6 |
| 9 | 43.004S | ROD END, 1/4 SPHERICAL W/STUD | 2 |
| 10 | 42.0437 | ROD, HI/LOW TO FRONT AXLE KT. | 1 |
| 11 | 02.CP0204 | COTTER PIN, 1/16 X 1/2 | 2 |
| 12 | 43.C10-32-1 | CLEVIS END, KIT- #10-32 3/16 | 2 |
| 13 | 99.E0034 | NUT, #10-32 | 2 |
| 14 | 03.0305 | CLEVIS PIN, 3/16 X 5/8 ZP | 2 |
| 15 | 47.0122 | CABLE, HI-LOW SHIFT HT | 1 |
| 16 | 81.0124 | LINK, CONN #60 DOUBLE PITCH | 2 |
| 17 | 92.05 | NUT, 5/16-18 USS | 4 |
| 18 | 90.0610 | BOLT, 3/8-16 USS X 1 1/4 | 2 |
| 19 | 42.0390 | ARM, HI/LOW SHIFT ROCKER | 1 |
| 20 | 64.0703 | PIVOT, PLATE - FRONT SHIFT | 1 |

CONTROLS & LINKAGE

ILLUSTRATED DRAWING PTO BELT TIGHTENER



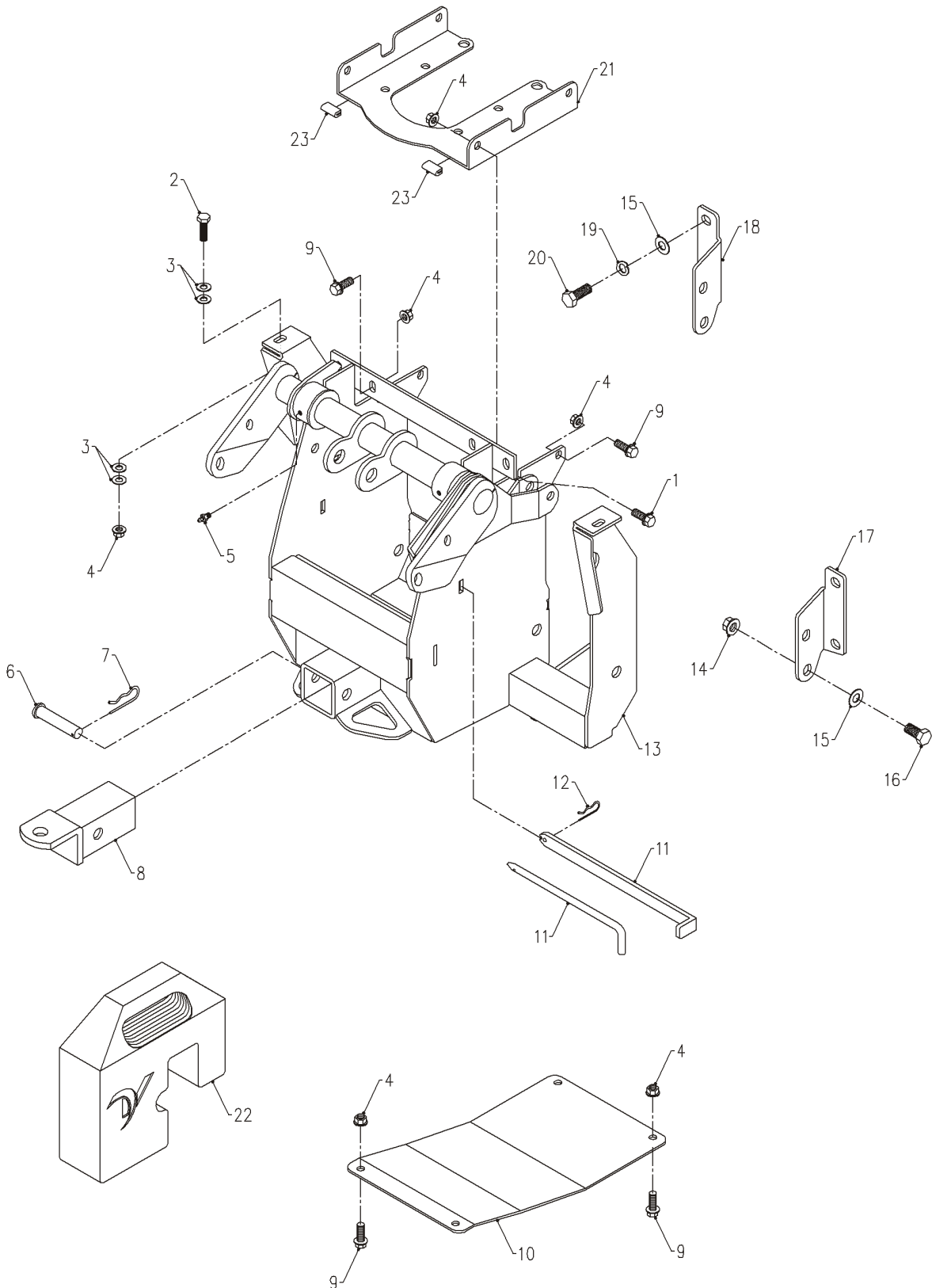
CONTROLS & LINKAGE

PTO BELT TIGHTENER

| REF. | PART NO. | DESCRIPTION | QTY. |
|------|-------------|--|------|
| 1 | 40.0294 | ARM, BELT TIGHTENER/DBL PULLEY | 1 |
| 2 | 85.SC16-1 | SET COLLAR, 1.015" | 1 |
| 3 | 90.0622 | BOLT, 3/8-16 USS X 2 3/4 | 1 |
| 4 | 99.SF06 | NUT, SF 3/8-16 USS | 2 |
| 5 | 99.SF04 | NUT, SF 1/4-20 USS | 2 |
| 6 | 99.SF0405-1 | BOLT, SMF 1/4-20 X 5/8 | 2 |
| 7 | 90.0510 | BOLT, 5/16-18 USS X 1 1/4 | 2 |
| 8 | 94.05 | WASHER, FLAT 5/16 USS | 2 |
| 9 | 99.SF05 | NUT, SF 5/16-18 USS | 10 |
| 10 | 41.0056 | SPRING, EXT 7/8 OD X 8-1/2 LNG | 1 |
| 11 | 90.0508 | BOLT, 5/16-18 USS X 1 | 2 |
| 12 | 47.0268 | DAMPER, HYDRAULIC | 1 |
| 13 | 64.0694 | ANCHOR, QUICK HITCH HANDLE-REAR | 1 |
| 14 | 99.SF0506 | BOLT, SF 5/16-18 USS X 3/4 | 2 |
| 15 | 64.0693 | BRACKET, FRONT BELT TIGHTENER | 1 |
| 16 | 40.0299 | LEVER, BELT TIGHTENER KT | 1 |
| 17 | 47.0001 | KNOB, SM. #80 3/8-16 THREAD | 1 |
| 18 | 90.0508 | BOLT, 5/16-18 USS X 1 (Serial # 4548-) | 2 |
| 19 | 95.05 | WASHER, FLAT 5/16 SAE (Serial # 4548-) | 2 |
| 20 | 64.1668 | PLATE, PTO WEARBAR (Serial # 4548-) | 1 |
| 21 | 99.SF05 | NUT, SRF 5/16-18 USS (Serial # 4548-) | 2 |

OPTIONS

ILLUSTRATED DRAWING 3 POINT HITCH FRAME



OPTIONS

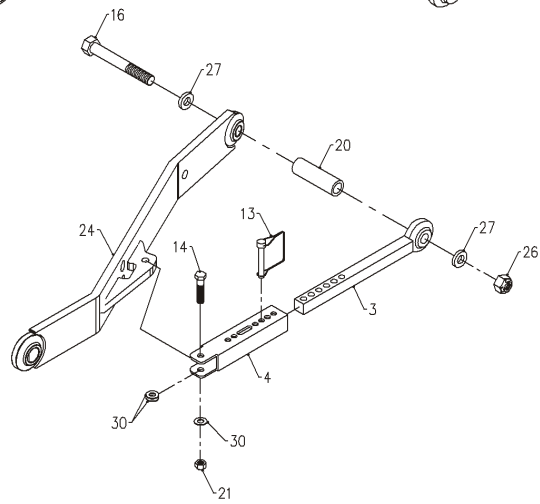
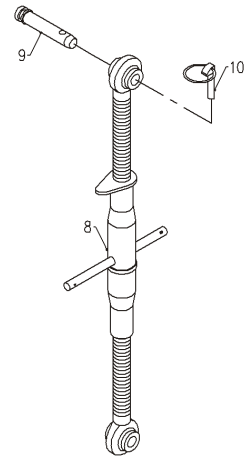
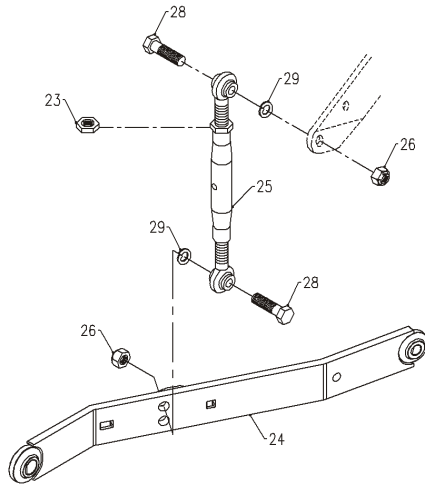
3 POINT HITCH FRAME

| REF. | PART NO. | DESCRIPTION | QTY. |
|------|-------------|---|------|
| 1 | 99.SF0608 | BOLT, SF 3/8-16 USS X 1 | 2 |
| 2 | 90.0610 | BOLT, 3/8-16 USS X 1 1/4 | 2 |
| 3 | 94.06 | WASHER, FLAT 3/8 USS | 8 |
| 4 | 99.SF06 | NUT, SF 3/8-16 USS | 14 |
| 5 | 29.GF0001 | GREASE FTG, 1/4 SAE ST | 2 |
| 6 | 03.1024 | CLEVIS PIN, 5/8 X 3 OAL | 1 |
| 7 | 02.HP0420 | HAIRPIN, 1/8 X 2 1/2 | 1 |
| 8 | 62.0968 | TUBE, RECEIVER HITCH | 1 |
| 9 | 99.SF0606 | BOLT, SF 3/8-16 USS X 3/4 | 10 |
| 10 | 60.0955 | PLATE, REAR AXLE CVR/SKD W/3PT | 1 |
| 11 | 64.0761 | PIN, WEIGHT SECURE 8" USABLE (Round Pin) | 1 |
| 11 | 64.1312 | PIN, WEIGHT RETAINER 3 PT (Rectangle Pin) | 1 |
| 12 | 02.HP0416 | HAIRPIN, 1/8 X 2 | 1 |
| 13 | 62.1068 | FRAME, 3-POINT HITCH | 1 |
| 14 | 99.SF08 | NUT, SF 1/2-13 USS | 4 |
| 15 | 95.08 | WASHER, FLAT 1/2 SAE | 8 |
| 16 | 90.0808 | BOLT, 1/2-13 USS X 1 | 4 |
| 17 | 62.1070 | BRACKET, REAR HITCH MNT RIGHT | 1 |
| 18 | 62.1071 | BRACKET, REAR HITCH MOUNT LEFT | 1 |
| 19 | 96.08 | WASHER, LOCK 1/2 | 4 |
| 20 | 90.0810 | BOLT, 1/2-13 USS X 1 1/4 | 4 |
| 21 | 64.1246 | BRACKET, HITCH FRAME ANCHOR UP | 1 |
| 22 | 47.0115 | WEIGHT, SUITCASE- 42 LBS | 3 |
| 23 | 06.0057-1IN | TRIM, EDGE GUARD 5/16" BLACK X 1" | 2 |

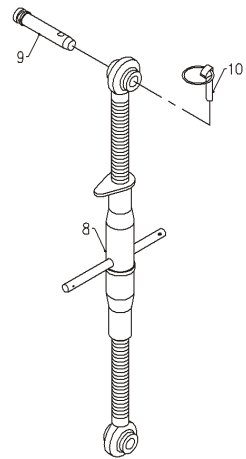
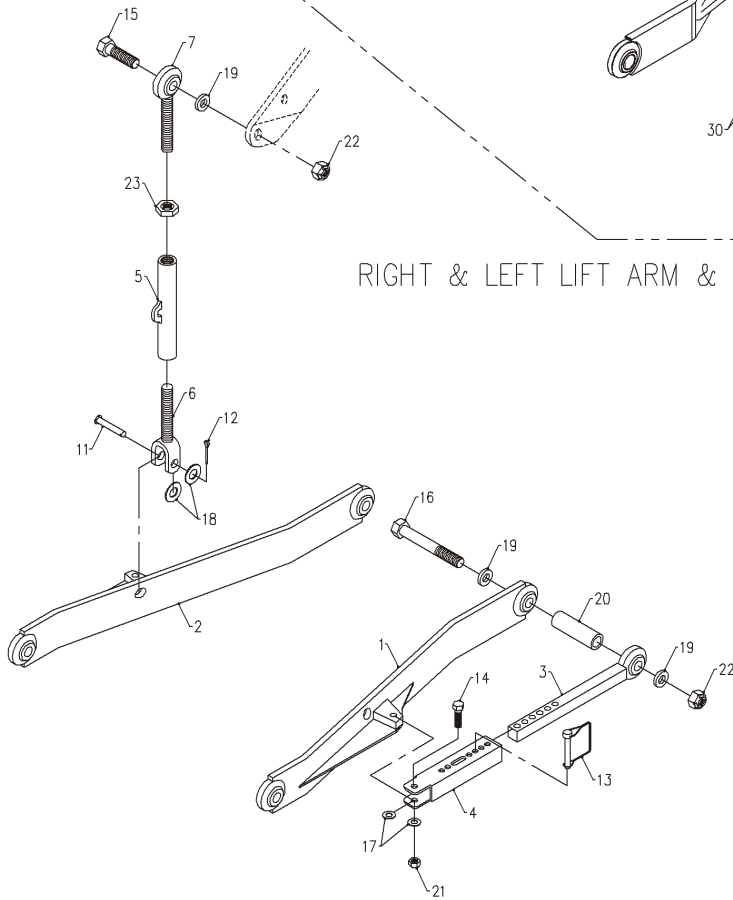
OPTIONS

ILLUSTRATED DRAWING 3 POINT HITCH ARMS

UNIVERSAL LIFT ARM & LINK



RIGHT & LEFT LIFT ARM & YOKE



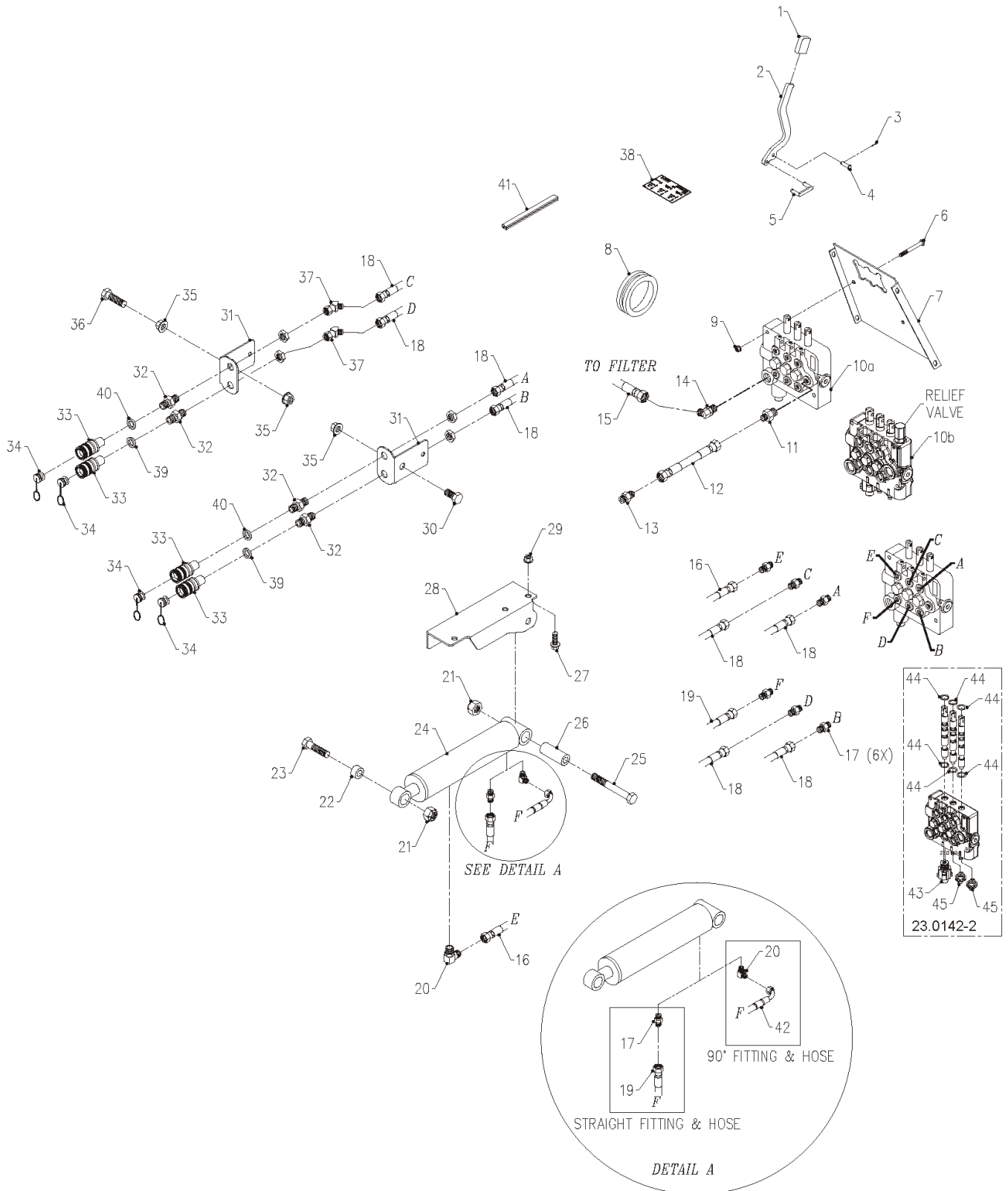
OPTIONS

3 POINT HITCH ARMS

| REF. | PART NO. | DESCRIPTION | QTY. |
|------|-----------|--------------------------------|------|
| 1 | 62.0792 | LIFT ARM, 3-POINT HITCH RIGHT | 1 |
| 2 | 62.0793 | LIFT ARM, 3-POINT HITCH LEFT | 1 |
| 3 | 42.0403 | LINK, SWAYBAR 3-POINT MALE | 2 |
| 4 | 42.0402 | LINK, SWAYBAR 3-POINT FEMALE | 2 |
| 5 | 42.0529 | LINK, ADJUSTING-CENTER 6-3/4" | 2 |
| 6 | 42.0410 | LINK, ADJ. YOKE END FOR 42.408 | 2 |
| 7 | 42.0409 | LINK, ADJ. SWVL END FOR 42.408 | 2 |
| 8 | 42.0406 | TOP LINK, CAT #1 ADJ. | 1 |
| 9 | 03.0004 | PIN, TOP LINK CATEGORY 1 | 1 |
| 10 | 03.0005 | PIN, LYNCH | 1 |
| 11 | 03.1014 | CLEVIS PIN, 5/8 X 1 3/4 | 2 |
| 12 | 02.CP0508 | COTTER PIN, 5/32 X 1 | 2 |
| 13 | 03.0001 | PIN, SAFETY SNAP 3/8 X 1-3/4 | 2 |
| 14 | 90.0614 | BOLT, 3/8-16 USS X 1 3/4 | 2 |
| 15 | 90.1018 | BOLT, 5/8-11 USS X 2 1/4 | 2 |
| 16 | 90.1052 | BOLT, 5/8-11 USS X 6 1/2 | 2 |
| 17 | 94.06 | WASHER, FLAT 3/8 USS | 4 |
| 18 | 95.10 | WASHER, FLAT 5/8 SAE | 4 |
| 19 | 99.B0061 | WASHER, 3/16 X 21/32 X 1 1/32 | 6 |
| 20 | 64.1247 | BUSHING, 3-PT HITCH | 2 |
| 21 | 99.A06 | LOCKNUT, STOVER 3/8-16 USS | 2 |
| 22 | 99.A10 | LOCKNUT, STOVER 5/8-11 USS | 4 |
| 23 | 99.E0087 | NUT, JAM 3/4-10 USS | 2 |
| 24 | 40.0365 | ARM, UNIVERSAL LIFT | 2 |
| 25 | 47.0222 | TOP LINK, CAT.#0, ADJUSTABLE | 2 |
| 26 | 99.A10 | LOCKNUT, STOVER 5/8-11 USS | 6 |
| 27 | 99.B0061 | WASHER, 3/16 X 21/32 X 1 1/32 | 4 |
| 28 | 90.1018 | BOLT, 5/8-11 USS X 2 1/4 | 4 |
| 29 | 96.10 | WASHER, LOCK 5/8 | 4 |
| 30 | 94.06 | WASHER, FLAT 3/8 USS | 6 |

OPTIONS

ILLUSTRATED DRAWING 3 POINT HITCH HYDRAULICS



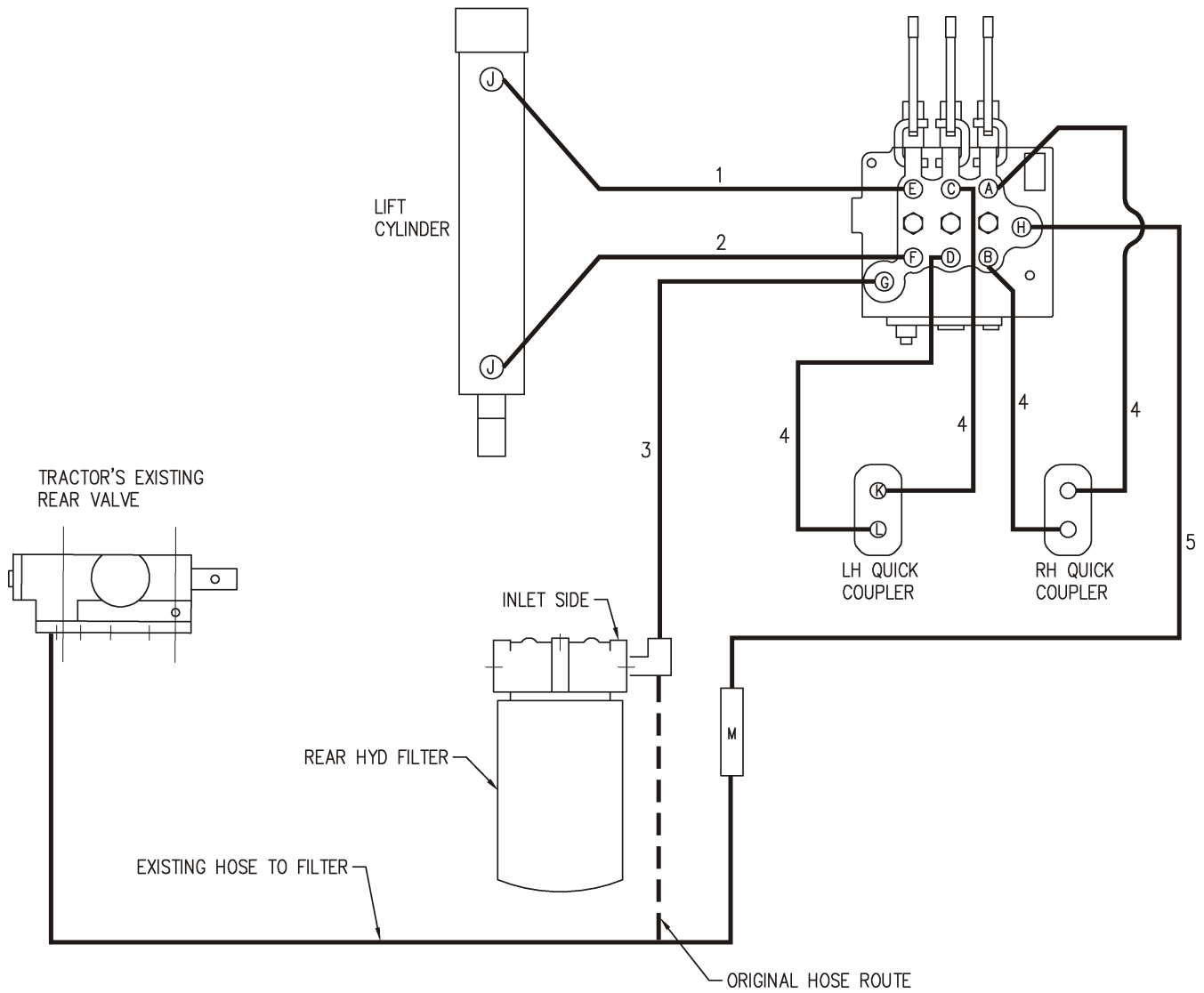
OPTIONS

3 POINT HITCH HYDRAULICS

| REF. | PART NO. | DESCRIPTION | QTY. |
|------|-----------------|--|------|
| 1 | 06.0058 | CAP, PLASTIC 1/4 X 5/8 X 1-1/2 | 3 |
| 2 | 40.0336 | LEVER, KT 3PT HYD HANDLE | 3 |
| 3 | 02.CP0204 | COTTER PIN, 1/16 X 1/2 | 9 |
| 4 | 03.0406 | CLEVIS PIN, 1/4 X 3/4 | 3 |
| 5 | 23.0111-6 | LINK, VALVE HANDLE "C" (2 spool valve) | 2 |
| 5 | 23.0142-6 | LINK, VALVE HANDLE "C" (3 spool valve) | 3 |
| 6 | 99.K0064 | BOLT, BUTTON HEAD 1/4 X 2 | 2 |
| 7 | 60.0960 | PANEL, FRONT SIDE TOOLBOX 3-PT | 1 |
| 8 | 05.0056 | GROMMET, 2-1/8ID,2-7/8OD,7/16T | 1 |
| 9 | 99.SF04 | NUT, SF 1/4-20 USS | 2 |
| 10a | 23.0142-2 | VALVE, 3 SPOOL W/RH FLOAT (without relief valve) | 1 |
| 10b | 23.0142-4 | VALVE, 3 SPOOL W/RH FLOAT (with relief valve) | 1 |
| 11 | 25.6400-06-08 | FITTING, M CONN 3/8 X 1/2 | 1 |
| 12 | 20.0144 | HOSE, ASM 3/8X24CPE SAE100R1AT | 1 |
| 13 | 25.2403-06-06 | FITTING, UNION 3/8 X 3/8 | 1 |
| 14 | 25.6802-06-08 | FITTING, 45 ME 3/8 X 1/2 | 1 |
| 15 | 20.0145 | HOSE, ASM 3/8X16CPE SAE100R1AT | 1 |
| 16 | 20.0293 | HOSE, 1/4x25.00 SAE 100R17AR | 1 |
| 17 | 25.6400-06-06 | FITTING, M CONN 3/8 X 3/8 | 7 |
| 18 | 20.0194 | HOSE, ASM X 32" 1/4-3000 | 4 |
| 19 | 20.0113 | HOSE, ASM X 38" 1/4-1W | 1 |
| 20 | 25.6801-06-06 | FITTING, 90 ME 3/8 X 3/8 | 2 |
| 21 | 99.A08 | LOCKNUT, STOVER 1/2-13 USS | 2 |
| 22 | 64.0749 | BUSHING, 33/64 X 1 X 1-1/16 | 1 |
| 23 | 90.0816 | BOLT, 1/2-13 USS X 2 | 1 |
| 24 | 23.0128 | CYLINDER, 2" X 8" LIFT | 1 |
| 25 | 90.0832 | BOLT, 1/2-13 USS X 4 | 1 |
| 26 | 64.0675 | BUSHING, SWIVEL FRAME SPACER | 1 |
| 27 | 99.SF0606 | BOLT, SF 3/8-16 USS X 3/4 | 3 |
| 28 | 60.0957 | MOUNT, REAR CYLINDER KT | 1 |
| 29 | 99.SF06 | NUT, SF 3/8-16 USS | 3 |
| 30 | 90.0808 | BOLT, 1/2-13 USS X 1 | 1 |
| 31 | 64.1162 | BRACKET, HYD QUICK COUPLER | 2 |
| 32 | 25.2706-04-06LN | FITTING, BULKHEAD W/LOCKNUT | 4 |
| 33 | 23.0106 | COUPLER, HYD. QUICK FEMALE 1/4 | 4 |
| 34 | 23.0126 | PLUG, NYLON FOR 23.0106 | 4 |
| 35 | 99.SF08 | NUT, SF 1/2-13 USS | 3 |
| 36 | 90.0814 | BOLT, 1/2-13 USS X 1 3/4 | 1 |
| 37 | 25.6502-06-06 | FITTING, 45 MFE 3/8 X 3/8 | 2 |
| 38 | 00.0231 | DECAL, AUX HYD AND 3-PT | 1 |
| 39 | 05.0116 | WASHER, .544ID x .817 x.14 RED. | 2 |
| 40 | 05.0117 | WASHER, .544ID x .817 x.14 YEL | 2 |
| 41 | 06.0042-3.5IN | TRIM, TRIM LOC 1/2 X 1/16 X 3-1/2" | 1 |
| 42 | 20.0259 | HOSE, 1/4 X 20.00 SAE 100R17AR | 1 |
| 43 | 23.0111-7 | KIT, SPOOL FLOAT HYD. VALVE | 1 |
| 44 | 26.0027 | O-RING, 5/8ID X 13/16OD X 3/32 | 6 |
| 45 | 23.0111-8 | CAP, VALVE | 2 |

OPTIONS

ILLUSTRATED DRAWING 3 POINT HITCH HYDRAULIC DIAGRAM



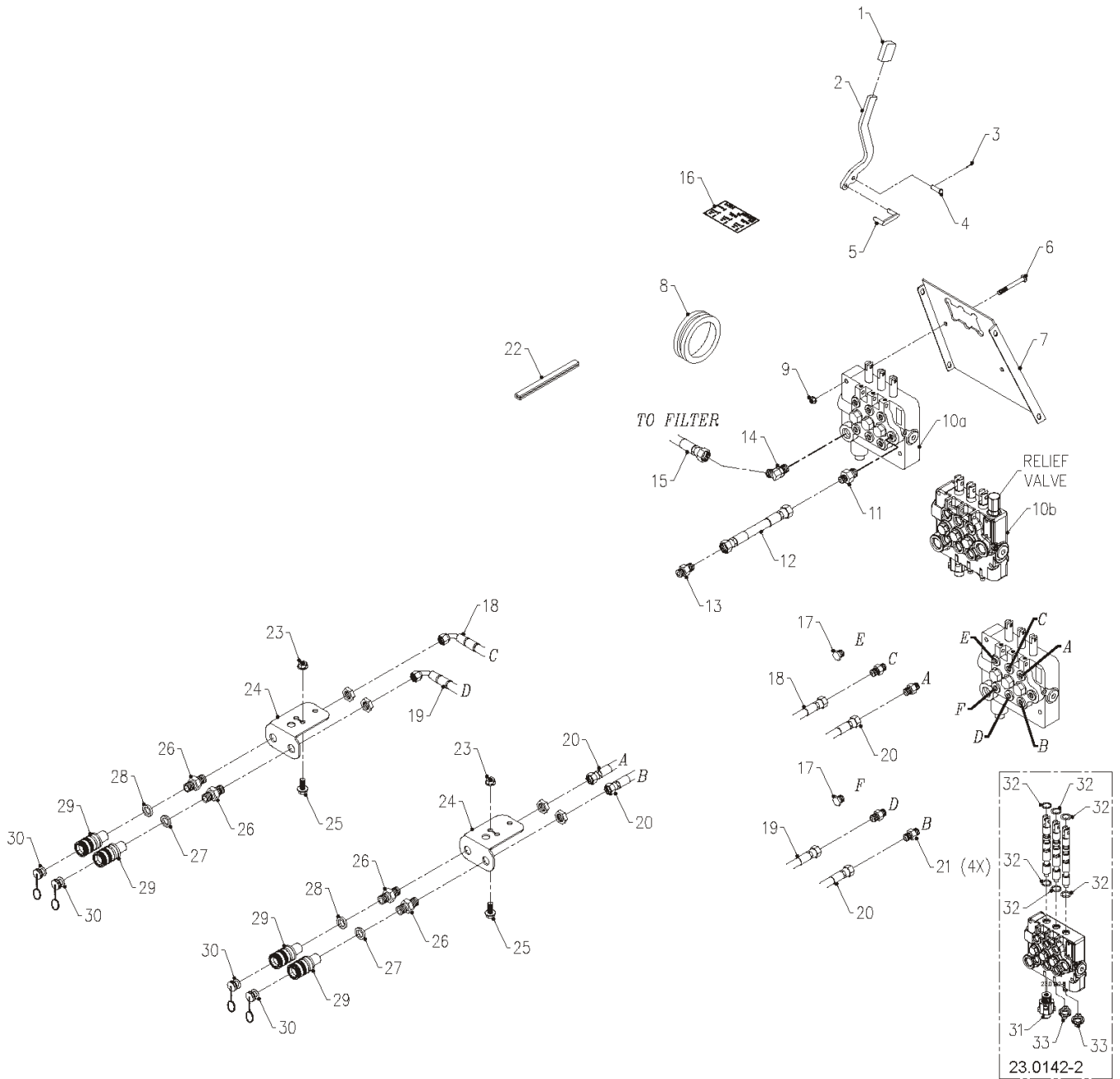
OPTIONS

3 POINT HITCH HYDRAULIC DIAGRAM

| REF. | PART NO. | DESCRIPTION | QTY. |
|------|----------|--------------------------------|------|
| 1 | 20.0259 | HOSE, 1/4 X 20.00 SAE 100R17AR | 1 |
| 2 | 20.0293 | HOSE, 1/4x25.00 SAE 100R17AR | 1 |
| 3 | 20.0145 | HOSE,3/8x16.00 SAE 100R1AT CPE | 1 |
| 4 | 20.0194 | HOSE, 1/4x32.00 SAE 100R17 AR | 4 |
| 5 | 20.0144 | HOSE,3/8x24.00 SAE 100R1AT CPE | 1 |

OPTIONS

ILLUSTRATED DRAWING 70.4088 REAR HYDRAULIC VALVE KIT



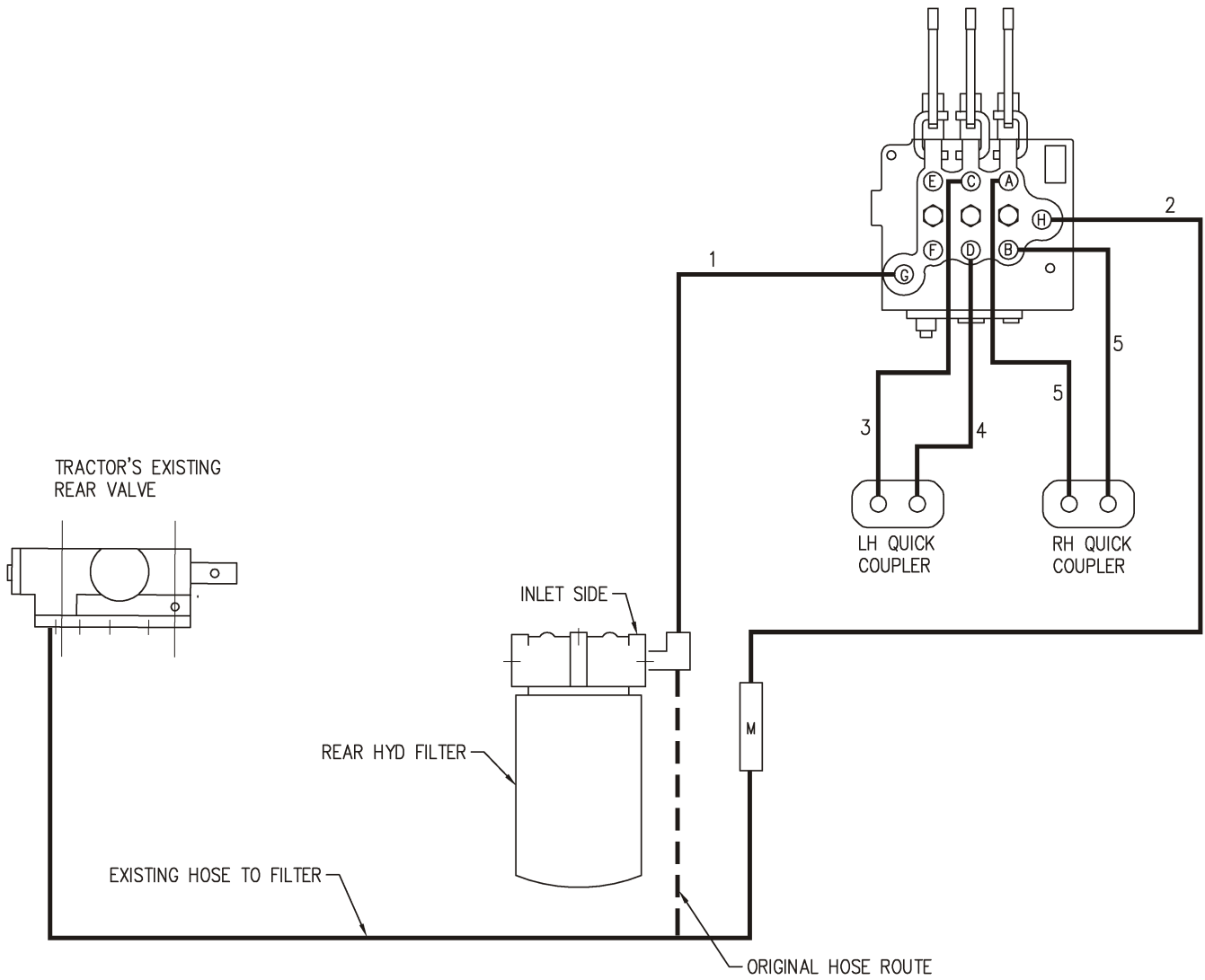
OPTIONS

70.4088 REAR HYDRAULIC VALVE KIT

| REF. | PART NO. | DESCRIPTION | QTY. |
|------|-----------------|--|------|
| 1 | 06.0058 | CAP, PLASTIC 1/4 X 5/8 X 1-1/2 | 2 |
| 2 | 40.0336 | LEVER, KT 3PT HYD HANDLE | 2 |
| 3 | 02.CP0204 | COTTER PIN, 1/16 X 1/2 | 6 |
| 4 | 03.0406 | CLEVIS PIN, 1/4 X 3/4 | 2 |
| 5 | 23.0142-6 | LINK, VALVE HANDLE "C" (3 spool valve) | 2 |
| 6 | 99.K0064 | BOLT, BUTTON HEAD 1/4 X 2 | 2 |
| 7 | 60.0960 | PANEL, FRONT SIDE TOOLBOX 3-PT | 1 |
| 8 | 05.0056 | GROMMET, 2-1/8ID,2-7/8OD,7/16T | 1 |
| 9 | 99.SF04 | NUT, SF 1/4-20 USS | 2 |
| 10a | 23.0142-2 | VALVE, 3 SPOOL W/RH FLOAT (without relief valve) | 1 |
| 10b | 23.0142-4 | VALVE, 3 SPOOL W/RH FLOAT (with relief valve) | 1 |
| 11 | 25.6400-06-08 | FITTING, M CONN 3/8 X 1/2 | 1 |
| 12 | 20.0144 | HOSE, ASM 3/8X24CPE SAE100R1AT | 1 |
| 13 | 25.2403-06-06 | FITTING, UNION 3/8 X 3/8 | 1 |
| 14 | 25.6802-06-08 | FITTING, 45 ME 3/8 X 1/2 | 1 |
| 15 | 20.0145 | HOSE, ASM 3/8X16CPE SAE100R1AT | 1 |
| 16 | 00.0231 | DECAL, AUX HYD AND 3-PT | 1 |
| 17 | 25.6408-06 | FITTING, PLUG 6MB | 2 |
| 18 | 20.0278 | HOSE, ASM 1/4 x35 SAE 100R17AR | 1 |
| 19 | 20.0246 | HOSE, ASM C 1/4 X 31" - 2750 | 1 |
| 20 | 20.0194 | HOSE, ASM X 32" 1/4-3000 | 2 |
| 21 | 25.6400-06-06 | FITTING, M CONN 3/8 X 3/8 | 4 |
| 22 | 06.0042-3.5IN | TRIM, TRIM LOC 1/2 X 1/16 X 3-1/2" | 1 |
| 23 | 99.SF05 | NUT, SF 5/16-18 USS | 2 |
| 24 | 64.1162 | BRACKET, HYD QUICK COUPLER | 2 |
| 25 | 99.SF0506 | BOLT, SF 5/16-18 USS X 3/4 | 2 |
| 26 | 25.2706-04-06LN | FITTING, BULKHEAD W/LOCKNUT | 4 |
| 27 | 05.0116 | WASHER, .544ID x .817 x.14 RED. | 2 |
| 28 | 05.0117 | WASHER, .544ID x .817 x.14 YEL | 2 |
| 29 | 23.0106 | COUPLER, HYD. QUICK FEMALE 1/4 | 4 |
| 30 | 23.0126 | PLUG, NYLON FOR 23.0106 | 4 |
| 31 | 23.0111-7 | KIT, SPOOL FLOAT HYD. VALVE | 1 |
| 32 | 26.0027 | O-RING, 5/8ID X 13/16OD X 3/32 | 6 |
| 33 | 23.0111-8 | CAP, VALVE | 2 |

OPTIONS

ILLUSTRATED DRAWING 70.4088 REAR VALVE HYDRAULIC DIAGRAM



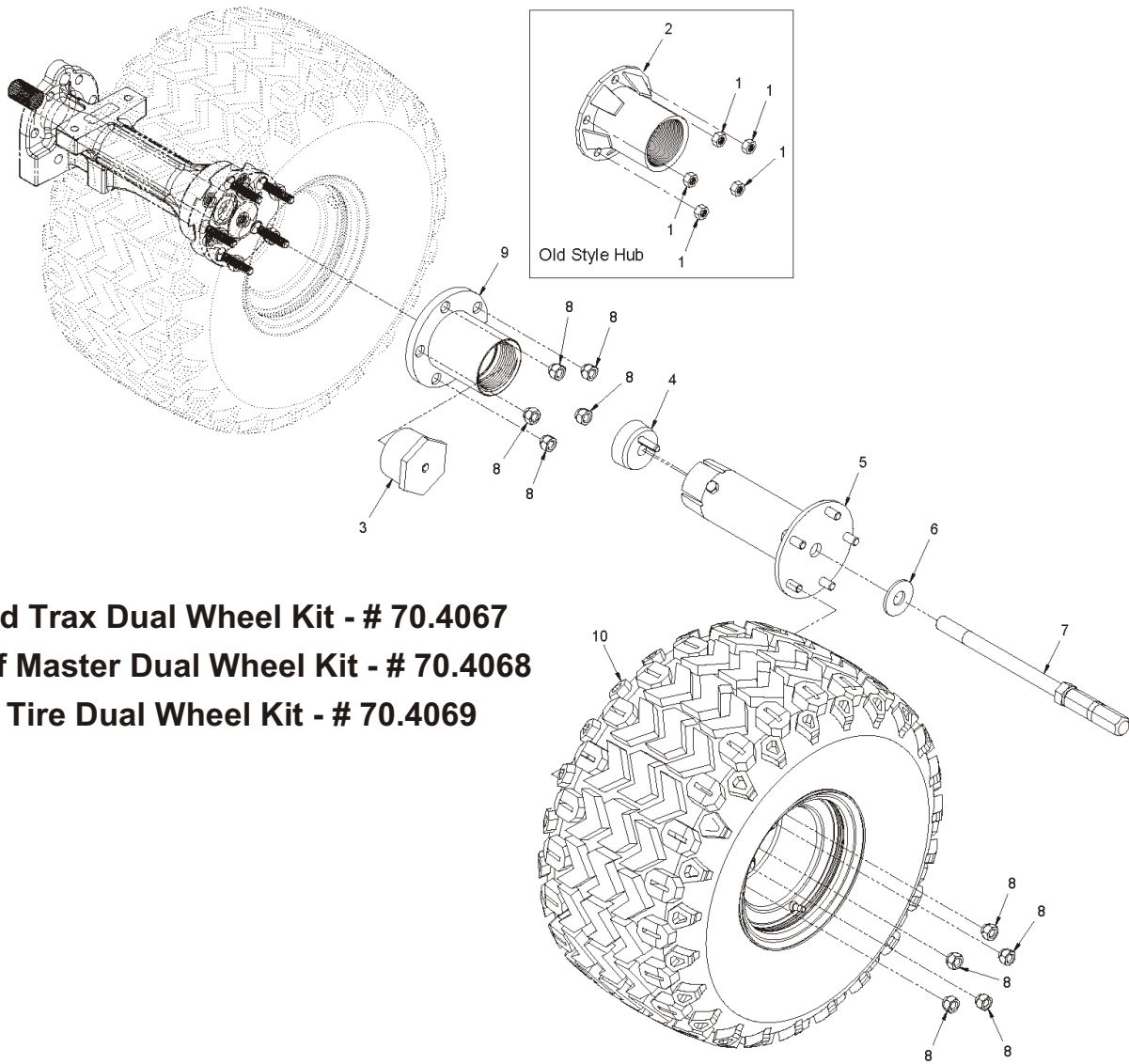
OPTIONS

70.4088 REAR VALVE HYDRAULIC DIAGRAM

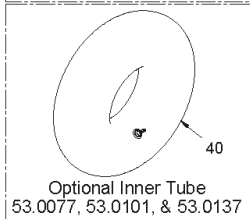
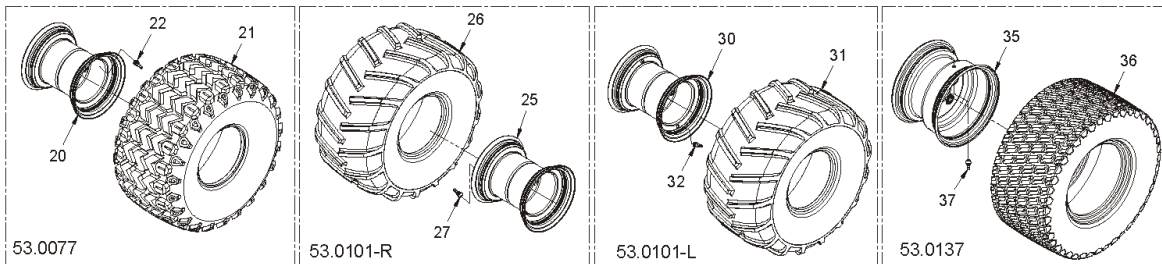
| REF. | PART NO. | DESCRIPTION | QTY. |
|------|----------|--------------------------------|------|
| 1 | 20.0145 | HOSE,3/8x16.00 SAE 100R1AT CPE | 1 |
| 2 | 20.0144 | HOSE,3/8x24.00 SAE 100R1AT CPE | 1 |
| 3 | 20.0278 | HOSE, 1/4x35.00 SAE 100R17AR | 1 |
| 4 | 20.0246 | HOSE, 1/4x31.00 SAE 100R17 AR | 1 |
| 5 | 20.0194 | HOSE, 1/4x32.00 SAE 100R17 AR | 2 |

OPTIONS

ILLUSTRATED DRAWING DUAL WHEELS



- Field Trax Dual Wheel Kit - # 70.4067
- Turf Master Dual Wheel Kit - # 70.4068
- Bar Tire Dual Wheel Kit - # 70.4069



OPTIONS

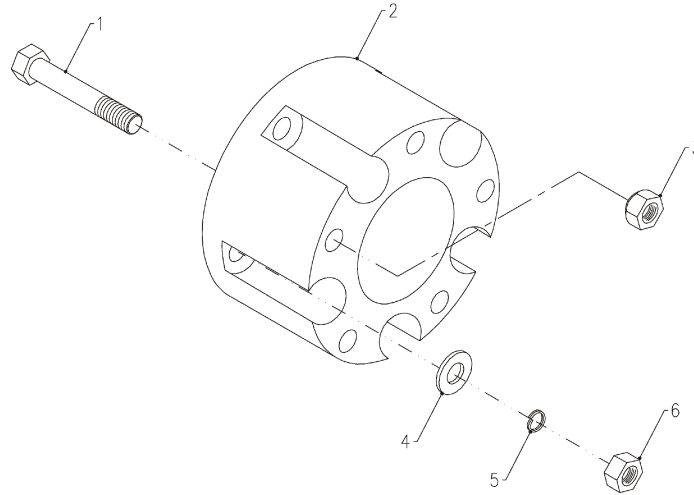
DUAL WHEELS

| REF. | PART NO. | DESCRIPTION | QTY. |
|------|-----------|---------------------------------|------|
| 1 | 93.07 | NUT, 7/16-20 SAE. | 20 |
| 2 | 50.0062 | HUB, DUAL WHEEL KT | 4 |
| 3 | 05.0093 | PLUG, 2-1/2 NPT M, WHT PLASTIC. | 4 |
| 4 | 50.0063 | CONE, 3/4"DRAWCONE DUALS | 4 |
| 5 | 50.0061 | EXTENSION, DUAL WHEEL KT | 4 |
| 6 | 94.12 | WASHER, FLAT 3/4 USS | 4 |
| 7 | 64.0672 | BOLT, 3/4" DRAWBOLT DUALS | 4 |
| 8 | 99.E0044 | NUT, LUG 7/16-20 SAE. | 40 |
| 9 | 50.0190 | HUB, DUAL WHEEL | 4 |
| 10. | 53.0077 | WHEEL, ASM 22 X 12 X 8 X 5B | 4 |
| 10. | 53.0101-L | WHEEL, ASM 21 X 11 X8 X 5B BAR. | 2 |
| 10. | 53.0101-R | WHEEL, ASM 21 X 11 X8 X 5B BAR. | 2 |
| 10. | 53.0137 | WHEEL, ASM 22x11x10x5B TURF | 4 |
| 20. | 53.0090 | RIM, 8 X 8.5, 5 ON 4.5 BC | 1 |
| 21. | 53.0089 | TIRE, FIELD 22 X 12 X 8-NO RIM | 1 |
| 22. | 53.0139 | VALVE STEM. | 1 |
| 25. | 53.0090 | RIM, 8 X 8.5, 5 ON 4.5 BC | 1 |
| 26. | 53.0114 | TIRE, BAR 21X11X8 NO RIM | 1 |
| 27. | 53.0139 | VALVE STEM. | 1 |
| 30. | 53.0090 | RIM, 8 X 8.5, 5 ON 4.5 BC | 1 |
| 31. | 53.0114 | TIRE, BAR 21X11X8 NO RIM | 1 |
| 32. | 53.0139 | VALVE STEM. | 1 |
| 35. | 53.0138 | RIM, 10 X 7 - 5 ON 4.5 BC | 1 |
| 36. | 53.0112 | TIRE, TURFMASTR 22X11X10 NO RIM | 1 |
| 37. | 53.0139 | VALVE STEM. | 1 |
| 40. | 53.0142 | TUBE, INNER 22 X 12 X 8 | 1 |

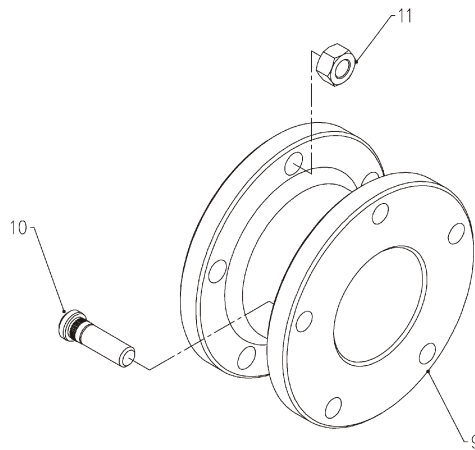
OPTIONS

ILLUSTRATED DRAWING FOOT PEDAL & WHEEL EXTENSIONS

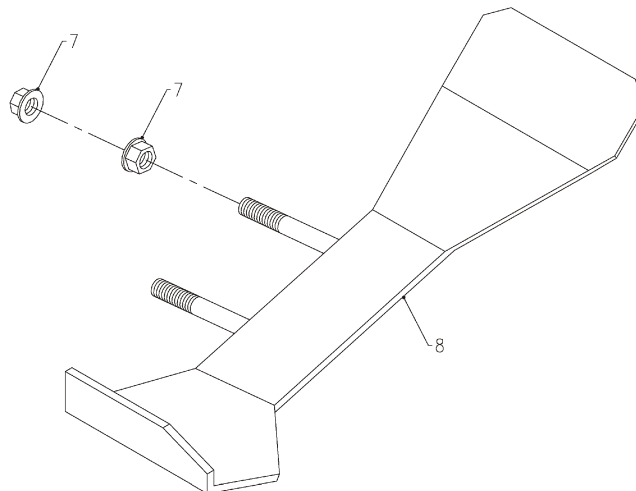
70.0103 WHEEL EXTENSION KIT



70.4098 WHEEL EXTENSION KIT



39.56108 FOOT PEDAL



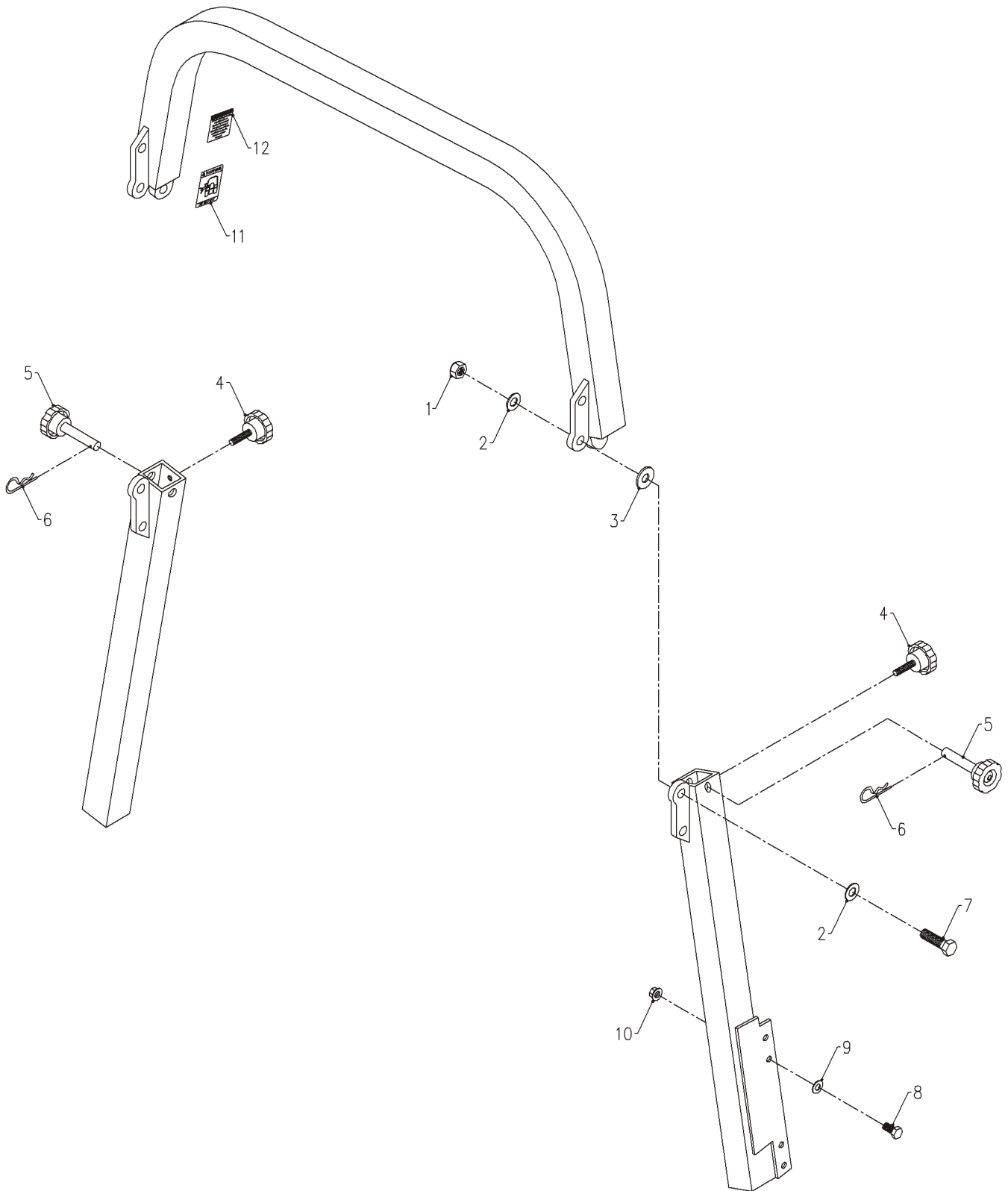
OPTIONS

FOOT PEDAL & WHEEL EXTENSIONS

| REF. | PART NO. | DESCRIPTION | QTY. |
|------|----------|--------------------------------|------|
| 1 | 91.0728 | BOLT, 7/16-20 SAE X 3-1/2 | 20 |
| 2 | 53.0104 | HUB, WHEEL EXTENSIONS- 3" | 4 |
| 3 | 99.E0044 | NUT, LUG 7/16-20 SAE | 20 |
| 4 | 95.07 | WASHER, FLAT 7/16 SAE | 20 |
| 5 | 96.07 | WASHER, LOCK 7/16 | 20 |
| 6 | 93.07 | NUT, 7/16-20 SAE | 20 |
| 7 | 99.SF06 | NUT, SF 3/8-16 USS | 4 |
| 8 | 62.0794 | PEDAL, FOOT - OPTIONAL | 1 |
| 9 | 53.0144 | HUB, 3" WHEEL EXTENSION | 4 |
| 10 | 99.K0120 | BOLT, 7/16-20 X 1-1/2 WHL STUD | 20 |
| 11 | 93.07 | NUT, 7/16-20 SAE | 20 |

OPTIONS

ILLUSTRATED DRAWING 70.2004 FOLD DOWN ROLL BAR



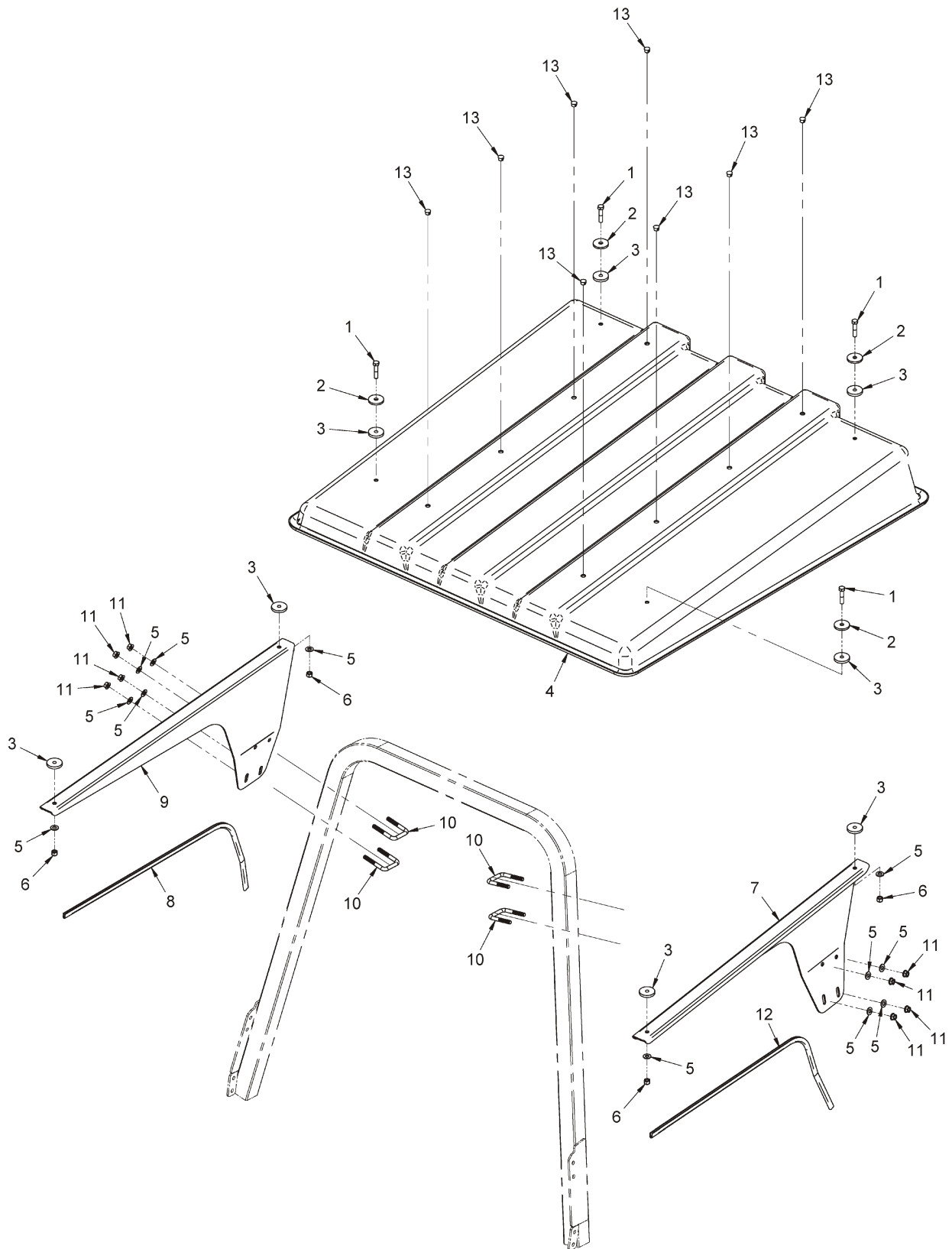
OPTIONS

70.2004 FOLD DOWN ROLL BAR

| REF. | PART NO. | DESCRIPTION | QTY. |
|------|-----------|------------------------------|------|
| 1 | 99.A08 | LOCKNUT, STOVER 1/2-13 USS | 2 |
| 2 | 95.08 | WASHER, FLAT 1/2 SAE. | 4 |
| 3 | 05.0105 | WASHER, UHMW | 2 |
| 4 | 47.0248 | PIN, ASSEMBLY | 2 |
| 5 | 47.0247 | PIN, PULL | 2 |
| 6 | 02.HP0420 | HAIRPIN, 1/8 X 2 1/2. | 2 |
| 7 | 90.0814 | BOLT, 1/2-13 USS X 1 3/4 | 2 |
| 8 | 90.0606 | BOLT, 3/8-16 USS X 3/4 | 8 |
| 9 | 95.06 | WASHER, FLAT 3/8 SAE. | 8 |
| 10 | 99.E0082 | NUT, LOCKING FLANGE 3/8 - 16 | 8 |
| 11 | 00.0229 | DECAL, WARNING - SEAT BELT | 1 |
| 12 | 00.0228 | DECAL, WARNING - ALTERATION | 1 |

OPTIONS

ILLUSTRATED DRAWING 70.0098 CANOPY KIT



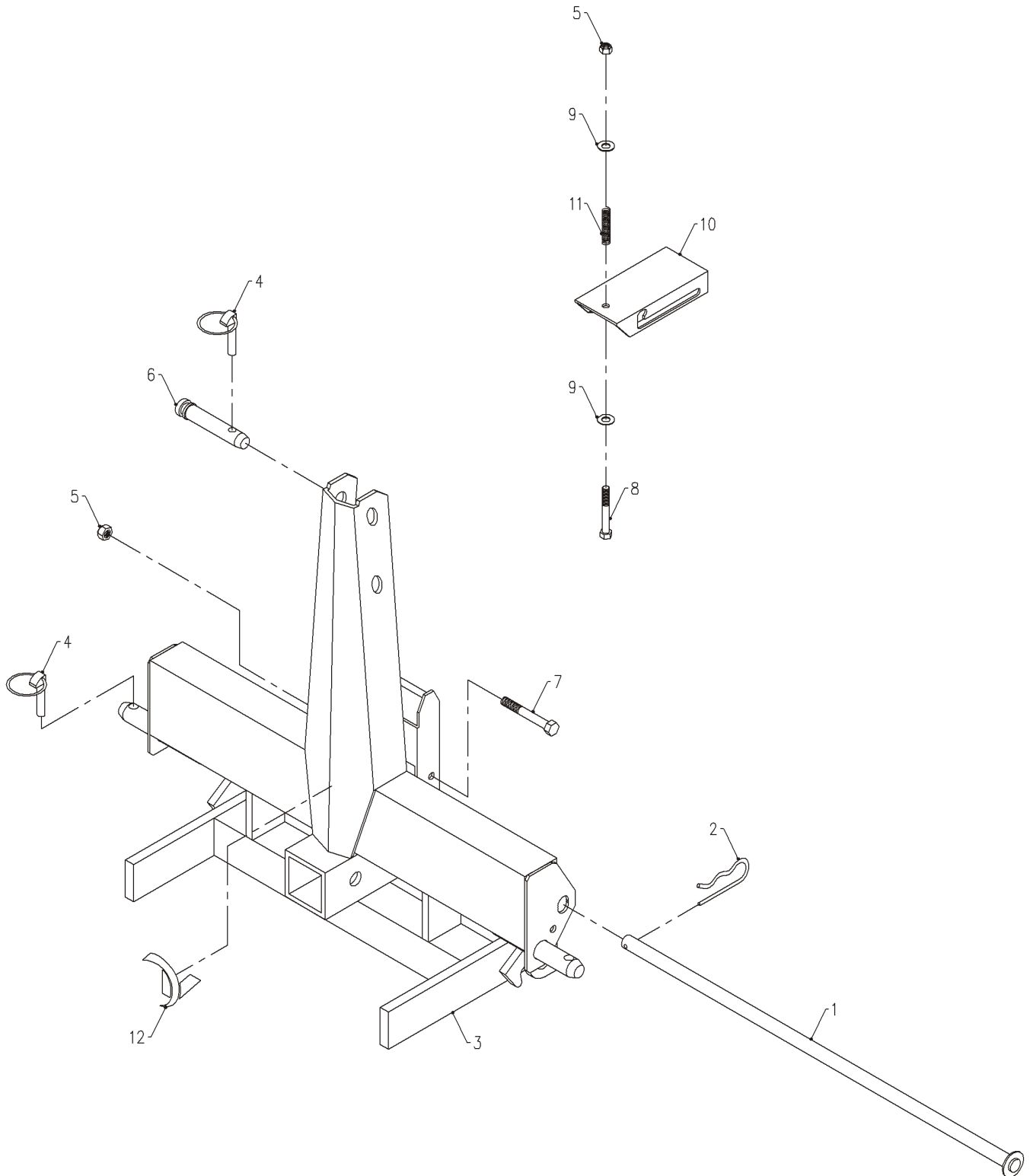
OPTIONS

70.0098 CANOPY KIT

| REF. | PART NO. | DESCRIPTION | QTY. |
|------|--------------|-----------------------------------|------|
| 1 | 90.0614 | Bolt, Hex 3/8-16 UNC x 1-3/4 | 4 |
| 2 | 99.B0076 | Washer, .185 X 13/32 ID X 1-5/8 | 4 |
| 3 | 05.0085 | Washer, Neoprene | 8 |
| 4 | 47.0186 | Canopy, Shell Only, White | 1 |
| 5 | 95.06 | Washer, Flat 3/8 SAE | 12 |
| 6 | 99.A06N | Locknut, Nylon 3/8-16 USS | 4 |
| 7 | 62.0915 | Frame, Canopy Left Side | 1 |
| 8 | 06.0050-41IN | Trim, Trim Loc 1/2 x 3/16 x 41" | 1 |
| 9 | 62.0914 | Frame, Canopy Right Side | 1 |
| 10 | 11.0053 | U-Bolt, 3/8-16 2-1/16" ID SQ Bend | 4 |
| 11 | 99.SF06 | Nut, SF 3/8-16 USS | 8 |
| 12 | 06.0050-41IN | Trim, Trim Loc 1/2 x 3/16 x 41" | 1 |
| 13 | 05.0086 | Plug, 1/2" Hole, Nylon-White | 8 |

OPTIONS

ILLUSTRATED DRAWING 39.56114 3N1 HITCH



OPTIONS

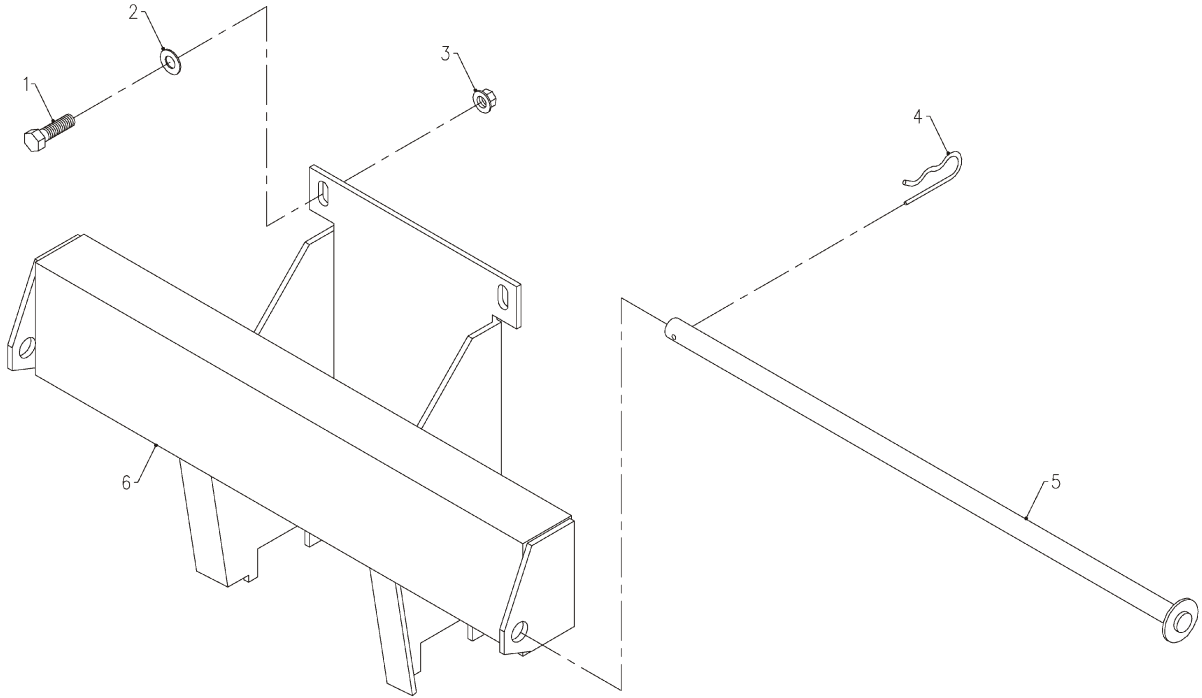
39.56114 3N1 HITCH

| REF. | PART NO. | DESCRIPTION | QTY. |
|------|-----------|--------------------------------|------|
| 1 | 64.1017 | PIN, WEIGHT SECURE 24-1/8 LONG | 1 |
| 2 | 02.HP0420 | HAIRPIN, 1/8 X 2 1/2 | 1 |
| 3 | 62.0925 | HITCH, TOW 3PT MAIN WELDMENT | 1 |
| 4 | 03.0005 | PIN, LYNCH | 3 |
| 5 | 99.A05 | LOCKNUT, STOVER 5/16-18 USS | 2 |
| 6 | 03.0004 | PIN, TOP LINK CATEGORY 1 | 1 |
| 7 | 90.0526 | BOLT, 5/16-18 USS X 3-1/4 | 1 |
| 8 | 90.0524 | BOLT, 5/16-18 USS X 3 | 1 |
| 9 | 95.05 | WASHER, FLAT 5/16 SAE | 2 |
| 10 | 64.1101 | LATCH, HANDLE 3N1 TOW HITCH | 1 |
| 11 | 41.0021 | SPRING, COMP 1/2 OD X 2-3/4 LG | 1 |
| 12 | 00.0192 | DECAL, V-DECAL DIE CUT BLUE | 1 |

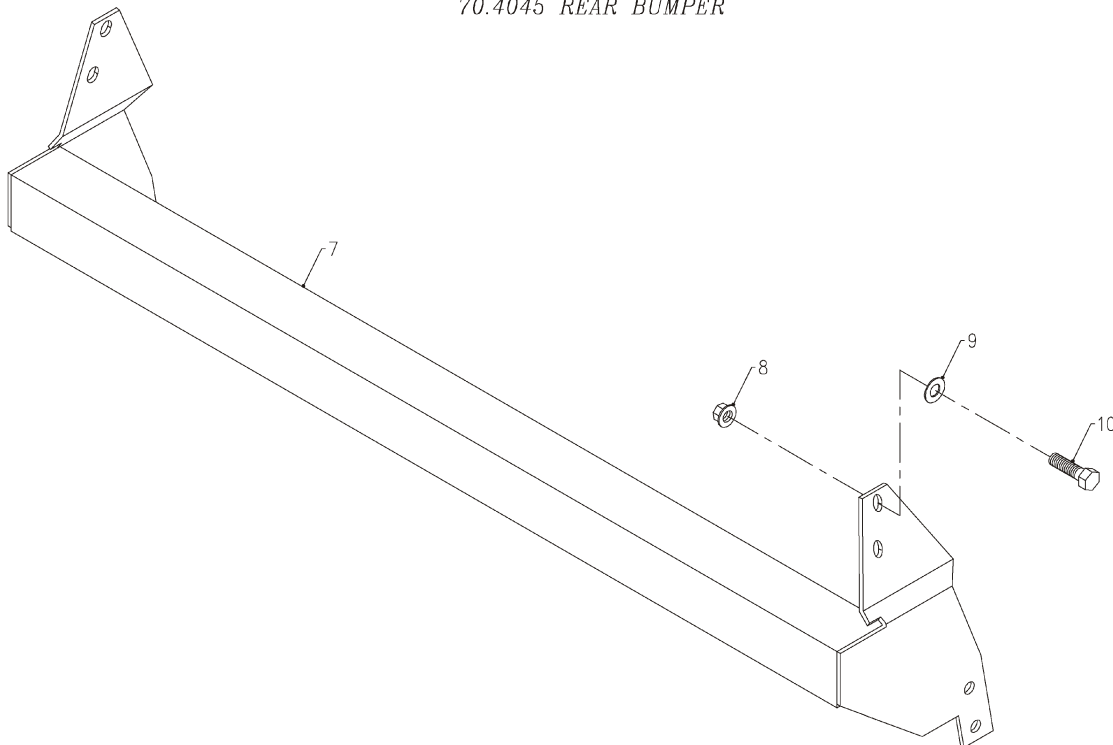
OPTIONS

ILLUSTRATED DRAWING REAR COUNTERWEIGHT BAR & REAR BUMPER

39.56116 REAR COUNTER WEIGHT BAR



70.4045 REAR BUMPER



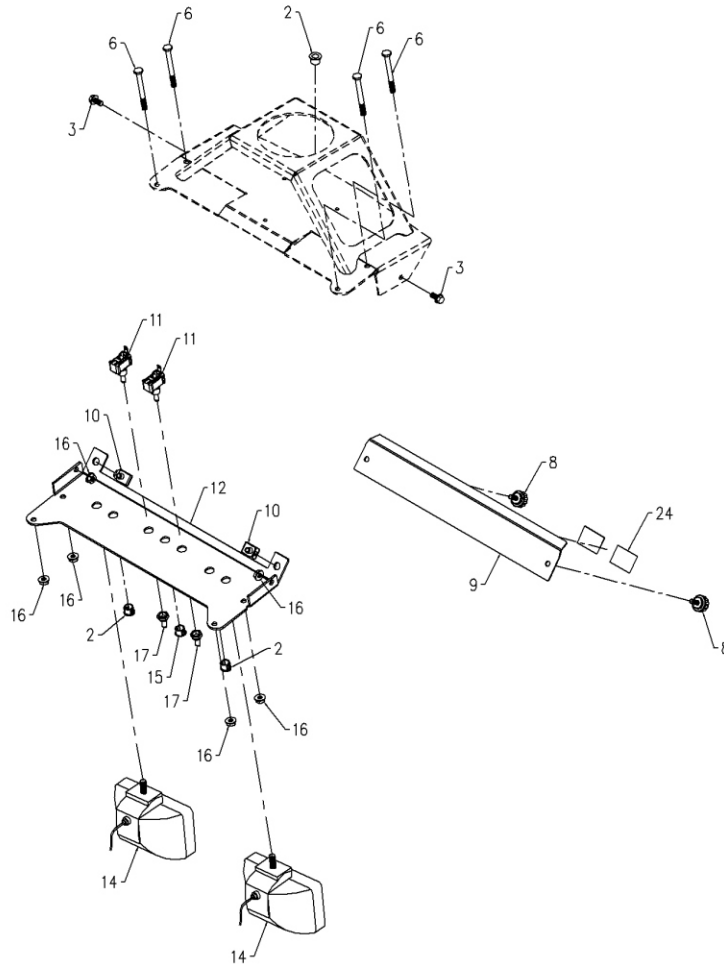
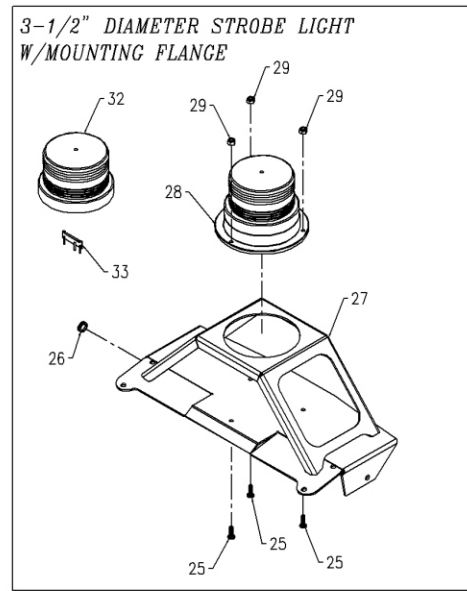
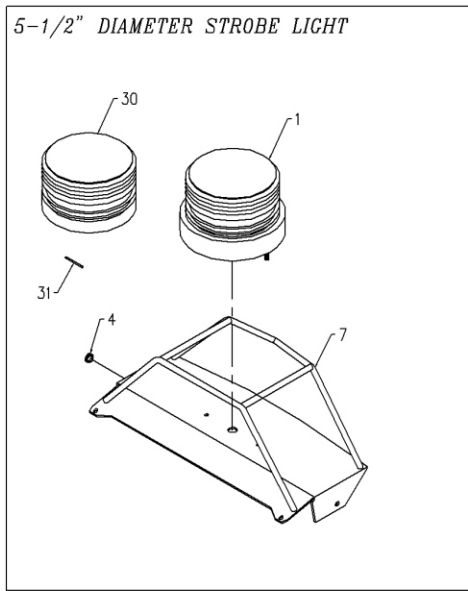
OPTIONS

REAR COUNTERWEIGHT BAR & REAR BUMPER

| REF. | PART NO. | DESCRIPTION | QTY. |
|------|-----------|----------------------------|------|
| 1 | 90.0606 | BOLT, 3/8-16 USS X 3/4 | 2 |
| 2 | 95.06 | WASHER, FLAT 3/8 SAE. | 2 |
| 3 | 99.SF06 | NUT, SF 3/8-16 USS | 2 |
| 4 | 02.HP0420 | HAIRPIN, 1/8 X 2 1/2. | 1 |
| 5 | 64.1040 | PIN, WEIGHT SECURE 21 LONG | 1 |
| 6 | 62.0955 | FRAME, REAR COUNTER WEIGHT | 1 |
| 7 | 62.1002 | BUMPER, REAR-KT | 1 |
| 8 | 99.SF06 | NUT, SF 3/8-16 USS | 8 |
| 9 | 95.06 | WASHER, FLAT 3/8 SAE. | 8 |
| 10. | 90.0610 | BOLT, 3/8-16 USS X 1 1/4 | 8 |

OPTIONS

ILLUSTRATED DRAWING 70.4030 LIGHT BAR KIT



OPTIONS

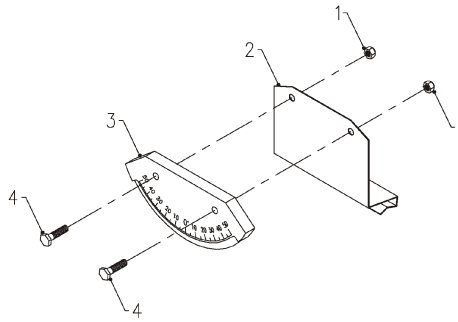
70.4030 LIGHT BAR KIT

| REF. | PART NO. | DESCRIPTION | QTY. |
|------|--------------|--|------|
| 1 | 33.0036 | LIGHT, STROBE 2 JOULE AMBER | 1 |
| 2 | 05.0072 | SNAP BUSHING, 3/8 ID X 1/2 OD | 3 |
| 3 | 99.SF0404-1 | BOLT, SF 1/4-20 X 1/2 W/RUBBER | 2 |
| 4 | 05.0047 | GROMMET, 5/16ID,13/16OD,5/16TK | 1 |
| 5 | 30.0226 | CLAMP, WIRE MT ADH. 3/8 GRAY | 6 |
| 6 | 90.0420 | BOLT, 1/4-20 USS X 2 1/2 | 4 |
| 7 | 60.0842 | FRAME, LIGHT BAR TOP KT | 1 |
| 8 | 47.0167 | KNOB, 1/4-20 X 1-1/4 DIA BLK | 2 |
| 9 | 60.0844 | COVER, LIGHT BAR ACCESS KT. | 1 |
| 10 | 99.E0046 | NUT, "U" 1/4-20 EXTRUDED | 2 |
| 11 | 31.0034 | SWITCH, TOGGLE ON/OFF SPST | 2 |
| 12 | 60.0843 | FRAME, LIGHT BAR BOTTOM KT. | 1 |
| 14 | 33.0043 | LIGHT, HEAD 12V 55W HALOGEN | 2 |
| | 33.0037 | BULB, LIGHT(ONLY) FOR 55 WATT. | 2 |
| 15 | 05.0070 | PLUG, 1/2" HOLE, NYLON | 1 |
| 16 | 99.SF04 | NUT, SF 1/4-20 USS | 6 |
| 17 | 30.0157 | BOOT, TOGGLE SWITCH | 2 |
| 18 | 30.0152 | CONNECTOR, BULLET - 3 WAY STD (not shown). | 2 |
| 19 | 30.0146 | TERMINAL, ADAPTER 1/4 PUSH ON (not shown) | 1 |
| 20 | 34.1400-1002 | WIRE, 14 GA 2 WIRE X 78"T (not shown) | 1 |
| 21 | 34.1601-2002 | WIRE, 16 GA X 3" BLACK (not shown) | 1 |
| 22 | 34.1603-1001 | WIRE, 16 GA X 6" RED (not shown) | 1 |
| 23 | 34.1603-1002 | WIRE, 16 GA X 6" RED (not shown) | 1 |
| 24 | 00.0185 | DECAL, CAB CONTROLS | 1 |
| 25 | 99.K0071 | MACHINE SCREW, 10-32 X 5/8 | 3 |
| 26 | 05.0101 | GROMMET, 3/8ID, 7/8OD, 3/8THK | 1 |
| 27 | 62.1323 | FRAME, LIGHT BAR TOP | 1 |
| 28 | 33.0049 | LIGHT, STROBE AMBER | 1 |
| 29 | 99.A1032N | LOCKNUT, NYLON 10-32 STAINLESS | 3 |
| 30 | 33.0042 | LENS, STROBE-AMBER REPLACEMENT | 1 |
| 30 | 33.0046 | LENS, STROBE-BLUE REPLACEMENT | 1 |
| 31 | 33.0041 | BULB, LIGHT (ONLY) FOR 33.0036 | 1 |
| 32 | 33.0050 | LENS, STROBE - AMBER 3-1/2" | 1 |
| 32 | 33.0051 | LENS, STROBE - BLUE 3-1/2" | 1 |
| 33 | 33.0052 | BULB, STROBE LIGHT FOR 33.0049 | 1 |

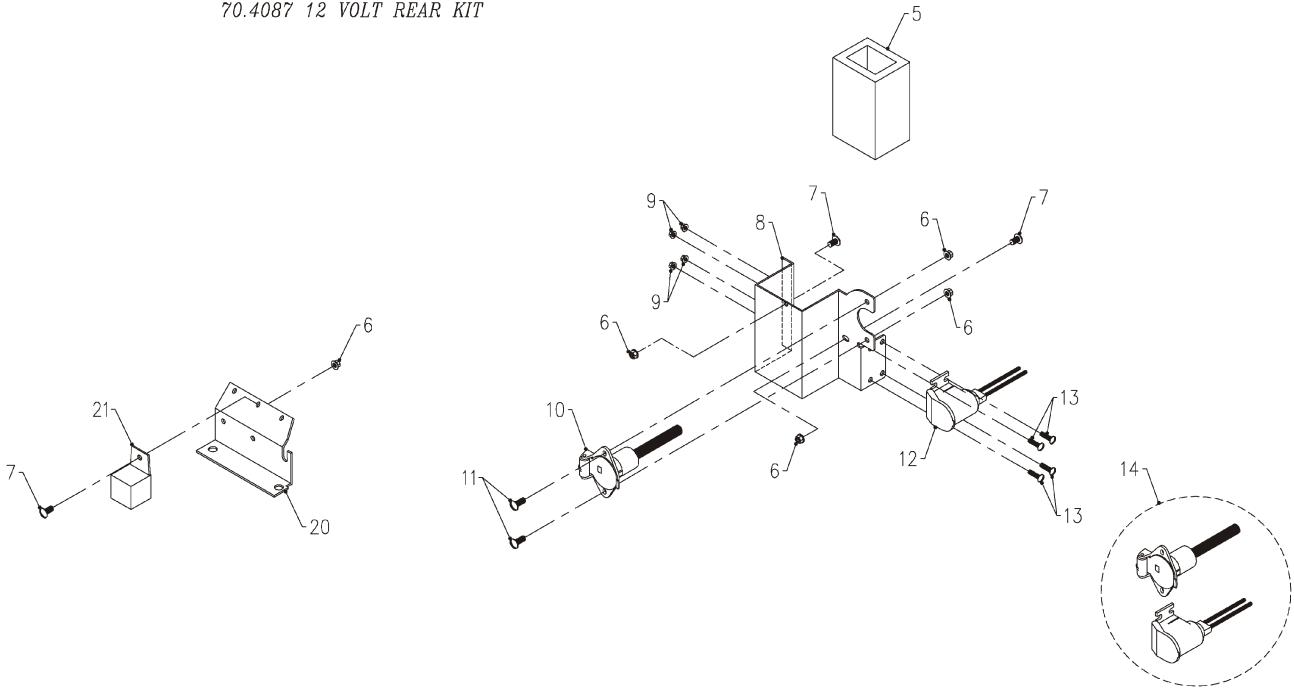
OPTIONS

ILLUSTRATED DRAWING SLOPE GAUGE, 12 VOLT OUTLET, & 12 VOLT FRONT PLUG

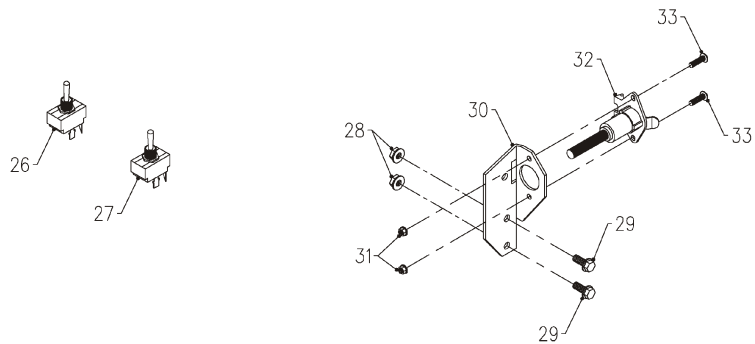
70.0109 SLOPE GAUGE KIT



70.4087 12 VOLT REAR KIT



70.4039 FRONT 12 VOLT SWITCH & PLUG KIT



OPTIONS

SLOPE GAUGE, 12 VOLT OUTLET, & 12 VOLT FRONT PLUG

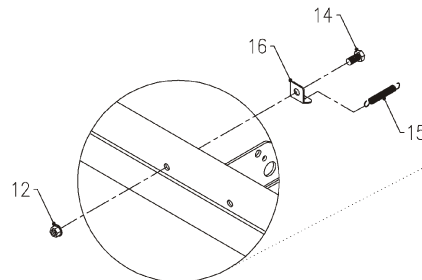
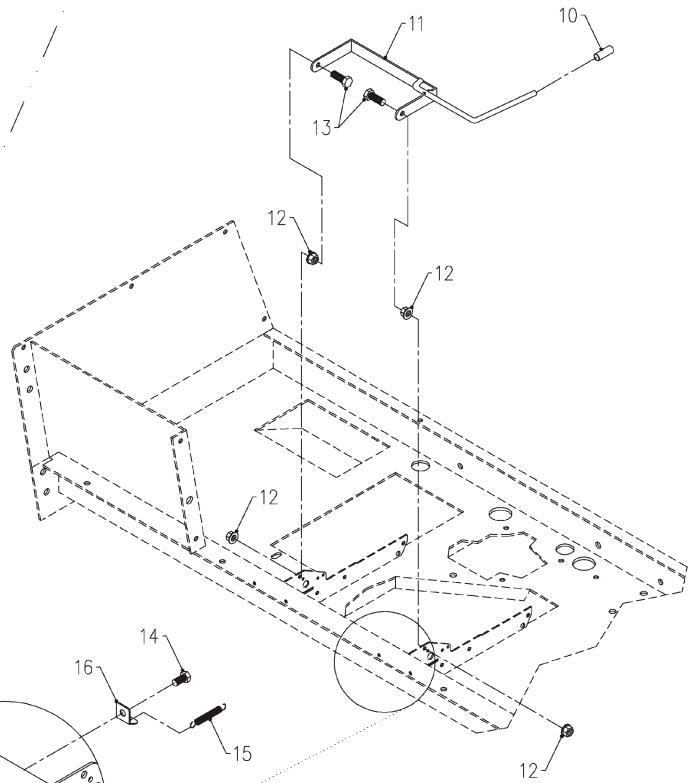
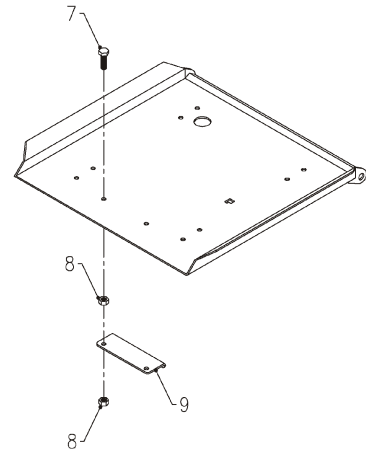
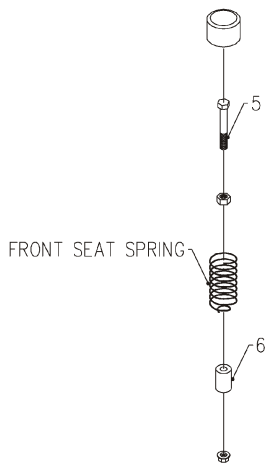
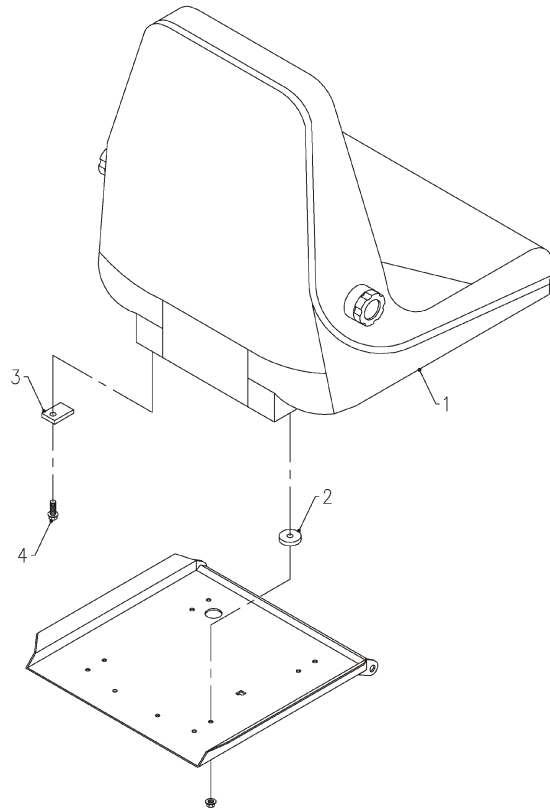
| REF. | PART NO. | DESCRIPTION | QTY. |
|------|----------------|--|------|
| 1 | 99.A04N | LOCKNUT, NYLON 1/4-20 | 2 |
| 2 | 64.0983 | BRACKET, TILT INDICATOR | 1 |
| 3 | 35.0105 | INDICATOR, SLOPE DEGREE | 1 |
| 4 | 90.0408 | BOLT, 1/4-20 USS X 1 | 2 |
| 5 | 06.0056-3.13IN | INSULATION, PIPE 1-5/8 ID X3/8 X 3-1/8" | 1 |
| 6 | 99.E0035 | NUT, SF #10-32 | 5 |
| 7 | 99.K0042 | MACHINE SCREW, 10-32 X 3/8 | 3 |
| 8 | 64.1424 | BRACKET, REAR 12V HOLDER | 1 |
| 9 | 99.E0062 | NUT, SF#8-32 | 4 |
| 10 | 30.0219 | SOCKET, TRAILER 4-PIN FEMALE | 1 |
| 11 | 99.K0062 | MACHINE SCREW, 10-32 X 1/2 | 2 |
| 12 | 30.0221 | OUTLET, 12 VOLT ALL WEATHER | 1 |
| 13 | 99.K0041 | MACHINE SCREW, #8-32 X 1/2 | 4 |
| 14 | 32.0093 | HARNESS, KT 12V REAR | 1 |
| 15 | 30.0146 | TERMINAL, ADAPTER 1/4 PUSH ON (not shown) | 1 |
| 16 | 30.0207 | TERMINAL, .25 PUSHON F 16-14GA (not shown) | 2 |
| 17 | 30.0209 | TERMINAL, 5/16" RING-12-10 INS (not shown) | 1 |
| 18 | 30.0225 | TERMINAL, BULLET .156 M 12-10 (not shown) | 1 |
| 19 | 30.0310 | FUSE, 25 AMP ATC BLADE - NAT. (not shown) | 1 |
| 20 | 64.0849 | BRACKET, RELAY MOUNTING | 1 |
| 21 | 35.0097 | RELAY, 12 VOLT 50 AMP | 1 |
| 26 | 31.0034 | SWITCH, TOGGLE ON/OFF SPST | 1 |
| 27 | 31.0041 | SWITCH, TOGGLE DPDT MOOFFMO | 1 |
| 28 | 99.SF04 | NUT, SF 1/4-20 USS | 2 |
| 29 | 99.SF0405-1 | BOLT, SMF 1/4-20 X 5/8 | 2 |
| 30 | 64.1063 | BRACKET, FRONT AUX. ELEC. PLUG | 1 |
| 31 | 99.E0035 | NUT, SF #10-32 | 2 |
| 32 | 30.0219 | SOCKET, TRAILER 4-PIN FEMALE | 1 |
| 33 | 99.K0062 | MACHINE SCREW, 10-32 X 1/2 | 2 |
| 34 | 30.0157 | BOOT, TOGGLE SWITCH (not shown) | 2 |
| 35 | 30.0166 | FUSE, 15 AMP ATC BLADE - BLUE (not shown) | 1 |
| 36 | 99.E0049 | NUT, WASHER #10-32 (STAR NUT) (not shown) | 1 |
| 37 | 32.0079 | HARNESS, KT 12V SWITCH & PLUG (not shown) | 1 |

OPTIONS

ILLUSTRATED DRAWING SUSPENSION SEAT & SEAT LOCK

47.0231 SUSPENSION SEAT KIT
(INCLUDES SEAT LOCK KIT)

70.4051 SEAT LOCK KIT



OPTIONS

SUSPENSION SEAT & SEAT LOCK

| REF. | PART NO. | DESCRIPTION | QTY. |
|------|-----------|--|------|
| 1 | 47.0233 | SEAT, FULL SUSPENSION (Serial # 2555-3106) | 1 |
| | 47.0272 | SEAT, FULL SUSPENSION (Serial # 3107-) | 1 |
| | 47.0231-1 | ARMREST, KIT - SUSPENSION SEAT | 1 |
| | 47.0233-1 | KIT, BACK PANEL ASSEMBLY | 1 |
| 2 | 05.0069 | WASHER, NYLON | 4 |
| 3 | 64.1112 | STOP, SUSPENSION SEAT | 1 |
| 4 | 99.SF0508 | BOLT, SF 5/16-18 USS X 1 | 1 |
| 5 | 90.0624 | BOLT, 3/8-16 USS X 3 | 1 |
| 6 | 64.1142 | BUSHING, 7/16 X 7/8 X 1-1/2 | 1 |
| 7 | 90.0508 | BOLT, 5/16-18 USS X 1 | 2 |
| 8 | 92.05 | NUT, 5/16-18 USS | 4 |
| 9 | 62.1039 | BRACKET, SEAT LOCK | 1 |
| 10 | 47.0236 | CAP, VINYL 3/8 ID X 1 1/2 LONG | 1 |
| 11 | 64.1165 | BRACKET, SEAT LOCK LEVER | 1 |
| 12 | 99.SF06 | NUT, SF 3/8-16 USS | 5 |
| 13 | 90.0608 | BOLT, 3/8-16 USS X 1 | 2 |
| 14 | 90.0606 | BOLT, 3/8-16 USS X 3/4 | 1 |
| 15 | 41.0079 | SPRING, 7/8 OD X 3 1/2 LG | 1 |
| 16 | 62.1038 | BRACKET, SPRING ANCHOR | 1 |

Seat lock kit (70.4051) is included with the suspension seat kit (47.0231).