



PARTS MANUAL

TRACTOR

4200 VXD

SERIAL # 1001-2554

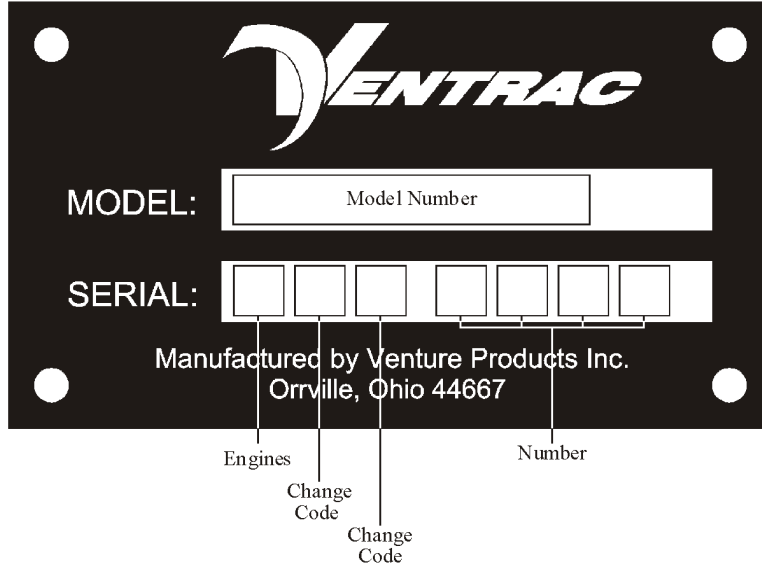


Get Attached... Get it DONE!!!



Revised 01/30/20
09.20002 Rev. 05

SERIAL NUMBER PLATE



ENGINES

- U VANGUARD 26.5 HP 950D DIESEL
- V VANGUARD 31 HP 950 G GAS
- W VANGUARD 31 HP 950DT TURBO DIESEL
- X KAWASAKI 27 HP FD750D GAS

TABLE OF CONTENTS

DECALS

SECTION A

Replacement Decals	A-1 & 2
------------------------------	---------

ELECTRICAL

SECTION B

Kawasaki Wiring Diagram	B-1 & 2
Vanguard Gas Wiring Diagram	B-3 & 4
Vanguard Diesel Wiring Diagram	B-5 & 6
Kawasaki Wiring Diagram w/Delay	B-7 & 8
Vanguard Gas Wiring Diagram w/Delay	B-9 & 10
Vanguard Diesel Wiring Diagram w/Delay	B-11 & 12

HYDRAULICS & AXLES

SECTION C

Hydraulic Diagram	C-1 & 2
Steering, Lift, & Auxiliary Hydraulics	C-3 & 4
Pump & Front Filter	C-5 & 6
Front Transaxle	C-7 & 8
Rear Transaxle & Hydraulics	C-9 & 10
Lift Valve & Rear Filter	C-9 & 10
Axle & Tire (Serial # 1001-1138)	C-11 & 12
Axle & Tire (Serial # 1139 -)	C-13 & 14
Model 2600 Transaxle	C-15 & 16
Model 15 Motor	C-17 & 18
Model 15 Pump	C-19 & 20

ENGINE/ENGINE DRIVES

SECTION D

Kawasaki Engine & Drive	D-1 & 2
Kawasaki Engine Mount & Exhaust	D-3 & 4
Kawasaki Cooling & Air	D-5 & 6
Kawasaki Fuel System	D-7 & 8
Vanguard Engine	D-9 & 10
Vanguard Drive Shaft & PTO Drive (Serial # 1001-1654)	D-11 & 12
Vanguard Drive Shaft & PTO Drive (Serial # 1655 -)	D-13 & 14
Vanguard Engine Mount & Exhaust (Serial # 1001-1103)	D-15 & 16
Vanguard Engine Mount & Exhaust (Serial # 1104-1184)	D-17 & 18
Vanguard Engine Mount & Exhaust (Serial # 1185 - & all Turbo Diesels)	D-19 & 20
Vanguard Gas & Natural Diesel Cooling System	D-21 & 22
Vanguard Turbo Diesel Cooling System	D-23 & 24
Vanguard Gas & Natural Diesel Air Intake	D-25 & 26
Vanguard Turbo Diesel Air Intake	D-27 & 28
Vanguard Diesel Fuel System	D-29 & 30
Vanguard Gas Fuel System	D-31 & 32

TABLE OF CONTENTS

FRAME, SHEET METAL

SECTION E

Rear Frame, Upper	E-1 & 2
Rear Hitch Assembly (Serial # 1001-1387)	E-3 & 4
Rear Hitch Assembly (Serial # 1388 -)	E-5 & 6
Seat Assembly	E-7 & 8
Rear Frame, Lower	E-9 & 10
Front Frame (Serial # 1001-1184)	E-11 & 12
Front Frame, Upper (Serial # 1185 -)	E-13 & 14
Front Frame, Lower (Serial # 1185 -)	E-15 & 16
Front Hitch & Weight Transfer	E-17 & 18
Hood, Grill, & Dash	E-19 & 20
Shields & Fenders	E-21 & 22

CONTROLS & LINKAGE

SECTION F

Hand Controls, Rear.	F-1 & 2
Forward/Reverse Rocker	F-3 & 4
Neutral Position Assembly	F-5 & 6
Park Brake, Throttle, & Choke.	F-7 & 8
Pump Control Arm	F-9 & 10
High/Low Shift Linkage	F-11 & 12
Belt Tightener	F-13 & 14

OPTIONS

SECTION G

3 Point Hitch Frame	G-1 & 2
3 Point Hitch Arms	G-3 & 4
3 Point Hitch Hydraulics.	G-5 & 6
Auxiliary Hydraulics, Rear.	G-7 & 8
Dual Wheels	G-9 & 10
Foot Pedal & Wheel Extensions	G-11 & 12
Fold Down Roll Bar.	G-13 & 14
Fold Down ROPS Roll Bar	G-15 & 16
Canopy	G-17 & 18
3N1 Hitch.	G-19 & 20
Rear Counterweight Bar & Rear Bump.	G-21 & 22
Light Bar	G-23 & 24
Slope Gauge, 12 Volt Outlet, & 12 Volt Front Plug	G-25 & 26
Suspension Seat & Seat Lock	G-27 & 28

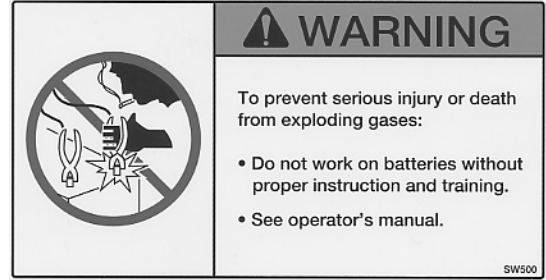
DECALS



00.0192 - Flat V



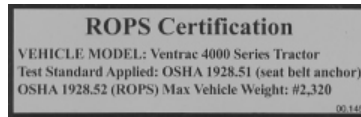
00.0121



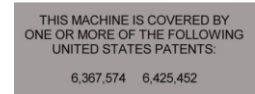
00.0124

ALL WHEEL DRIVE

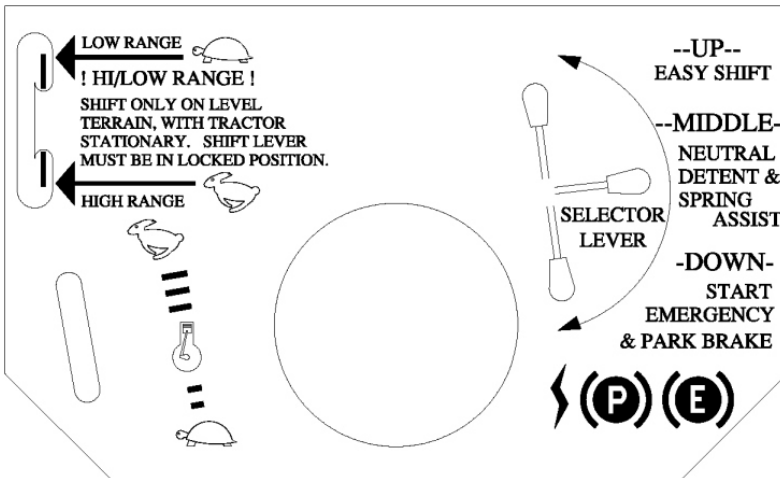
00.0138



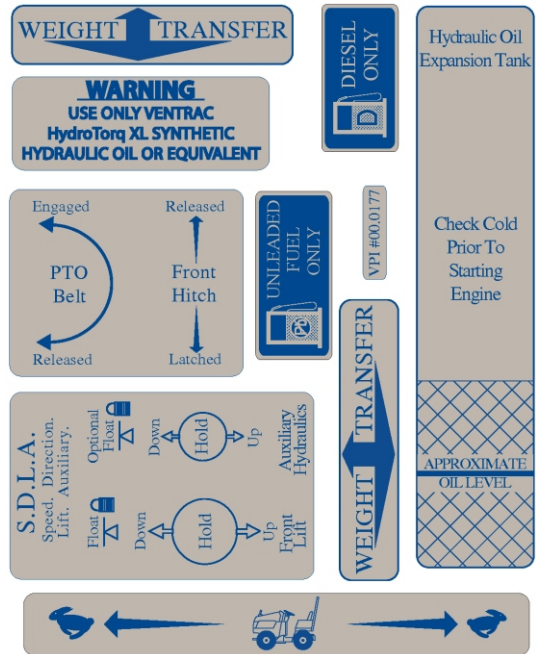
00.0145



00.0200



00.0176



00.0177



00.0100



00.0170



00.0167



00.0199
Vanguard Only

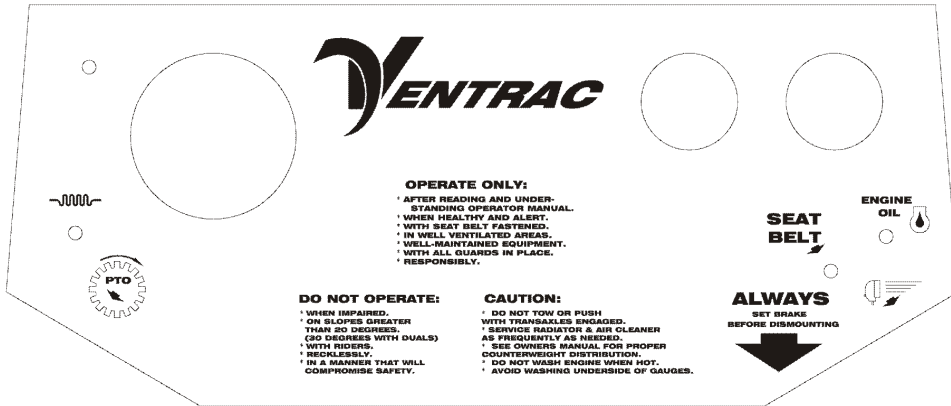


00.0168



00.0169

DECALS



00.0175



00.0171



00.0172



00.0173 - Right Side



00.0174 - Left Side



00.0210 - Raised V between Headlights



00.0207 - Raised V Steering Wheel

ELECTRICAL

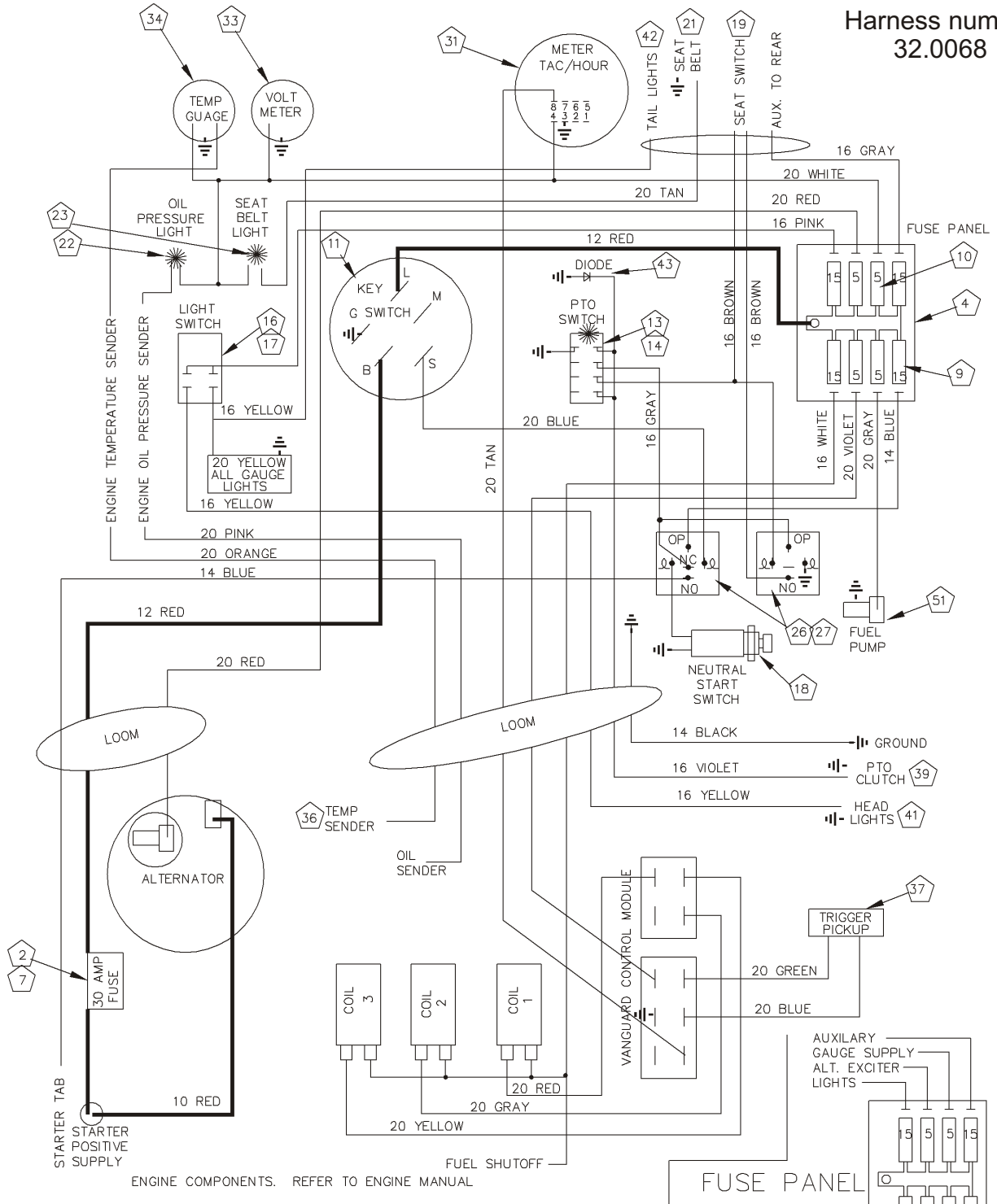
KAWASAKI WIRING DIAGRAM (20 amp charge system)

REF.	PART NO.	DESCRIPTION	QTY.
1	33.0030	BATTERY, HARRIS (not shown)	1
2	30.0186	FUSE HOLDER, INLINE 35 AMP	1
4	30.0185	FUSE PANEL, 8 CIRCUIT ATC BLAD	1
7	30.0197	FUSE, 30 AMP ATC BLADE - GREEN	2
9	30.0166	FUSE, 15 AMP ATC BLADE - BLUE	4
10	30.0187	FUSE, 5 AMP ATC BLADE - TAN	2
11	13.0078	SWITCH, IGNITION DELTA	1
12	13.0080	KEY, IGNITION DELTA	1
13	31.0035	SWITCH, CONTOUR OFF-ON-ON	1
14	31.0038	ROCKER, SWITCH SOFT/BK/AMB LEN	1
16	31.0036	SWITCH, CONTOUR ON-OFF DPST	1
17	31.0037	ROCKER, SWITCH SOFT/BLK/NO LEN.	1
18	31.0039	SWITCH, NEUTRAL N.O. 8" LEADS.	1
19	31.0033	SWITCH, SEAT 2" ROUND GRAY	1
22	33.0039	LIGHT, SEAT BELT/OIL RED.	1
23	33.0039	LIGHT, SEAT BELT/OIL RED.	1
26	35.0103	RELAY, 50 AMP 5 POLE	2
27	30.0196	CONNECTOR, 5 PIN RELAY MOUNT.	2
31	35.0102	TACHOMETER, WITH HOUR METER.	1
33	35.0101	GAUGE, VOLTMETER 12 VOLT	1
34	35.0100	GAUGE, TEMP 2" DIA 250°	1
36	13.0075	SENDING UNIT, TEMP 250 DEG.	1
37	13.0162	TRIGGER, IGNITION.	1
38	30.0152	CONNECTOR, BULLET - 3 WAY STD. (not shown)	1
39	37.0018	CLUTCH, ELECTRIC OGURA	1
41	33.0021	LIGHT, HEAD (ONE LIGHT) (Serial # 1001-1381)	2
41	33.0043	LIGHT, HEAD 12V 55W HALOGEN (Serial # 1382 -)	2
	33.0037	BULB, LIGHT(ONLY) FOR 55 WATT.	2
42	33.0022	LIGHT, TAIL RED-SINGLE BULB	2
	33.0034	LENS, RED REPLACEMENT	2
	33.0038	BULB, LIGHT (ONLY) FOR 33.0022	2
43	30.0202	DIODE, ASSEMBLY	1
46	32.0021	CABLE, ASM POS. BAT. RED 76" (not shown)	1
47	32.0022	CABLE, ASM NEG. BAT. BLK 74" (not shown).	1
53	13.0077	PUMP, FUEL KAW - X	1

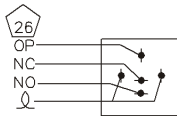
ELECTRICAL

ILLUSTRATED DRAWING VANGUARD GAS WIRING DIAGRAM (40 amp charge system)

Harness number
32.0068



CODE FOR RELAYS
OPERATION POINT
NORMALLY CLOSED
NORMALLY OPEN
COIL "EXCITER"



SYMBOL
DESIGNATING
WIRE MUST
BE GROUNDED

ENGINE COILS
ENGINE MODULE
FUEL PUMP
STARTER

ELECTRICAL

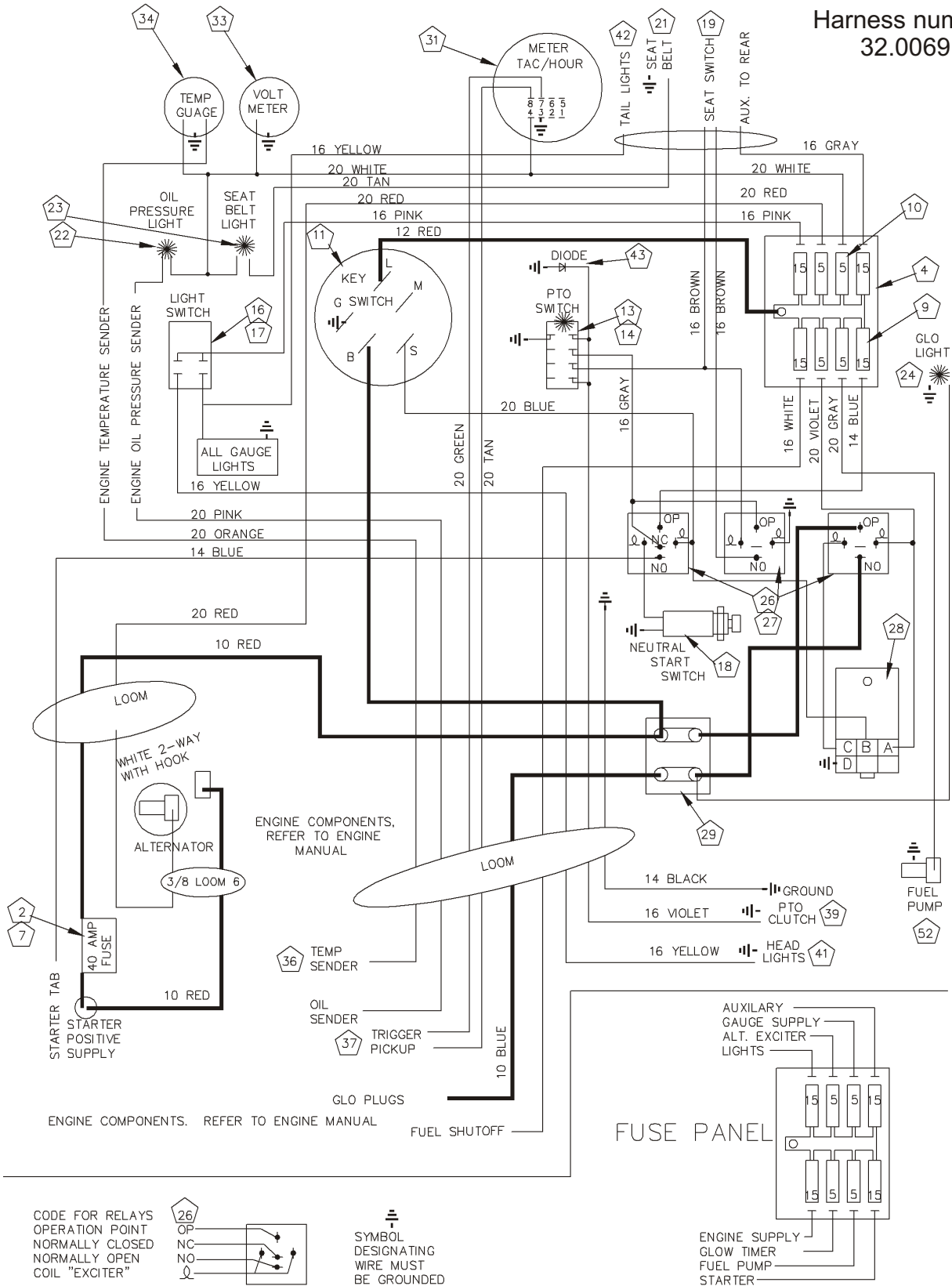
VANGUARD GAS WIRING DIAGRAM (40 amp charge system)

REF.	PART NO.	DESCRIPTION	QTY.
1	33.0030	BATTERY, HARRIS (not shown)	1
2	30.0186	FUSE HOLDER, INLINE 35 AMP	1
4	30.0185	FUSE PANEL, 8 CIRCUIT ATC BLAD	1
7	30.0197	FUSE, 30 AMP ATC BLADE - GREEN	1
9	30.0166	FUSE, 15 AMP ATC BLADE - BLUE	4
10	30.0187	FUSE, 5 AMP ATC BLADE - TAN	4
11	13.0078	SWITCH, IGNITION DELTA	1
12	13.0080	KEY, IGNITION DELTA	1
13	31.0035	SWITCH, CONTOUR OFF-ON-ON	1
14	31.0038	ROCKER, SWITCH SOFT/BK/AMB LEN	1
16	31.0036	SWITCH, CONTOUR ON-OFF DPST	1
17	31.0037	ROCKER, SWITCH SOFT/BLK/NO LEN.	1
18	31.0039	SWITCH, NEUTRAL N.O. 8" LEADS.	1
19	31.0033	SWITCH, SEAT 2" ROUND GRAY	1
22	33.0039	LIGHT, SEAT BELT/OIL RED.	1
23	33.0039	LIGHT, SEAT BELT/OIL RED.	1
26	35.0103	RELAY, 50 AMP 5 POLE	2
27	30.0196	CONNECTOR, 5 PIN RELAY MOUNT.	2
31	35.0102	TACHOMETER, WITH HOUR METER.	1
33	35.0101	GAUGE, VOLTMETER 12 VOLT	1
34	35.0100	GAUGE, TEMP 2" DIA 250°	1
36	13.0075	SENDING UNIT, TEMP 250 DEG.	1
37	13.0162	TRIGGER, IGNITION.	1
38	30.0152	CONNECTOR, BULLET - 3 WAY STD. (not shown)	1
39	37.0018	CLUTCH, ELECTRIC OGURA	1
41	33.0021	LIGHT, HEAD (ONE LIGHT) (Serial # 1001-1381)	2
41	33.0043	LIGHT, HEAD 12V 55W HALOGEN (Serial # 1382 -)	2
	33.0037	BULB, LIGHT(ONLY) FOR 55 WATT.	2
42	33.0022	LIGHT, TAIL RED-SINGLE BULB	2
	33.0034	LENS, RED REPLACEMENT	2
	33.0038	BULB, LIGHT (ONLY) FOR 33.0022	2
43	30.0202	DIODE, ASSEMBLY	1
46	32.0021	CABLE, ASM POS. BAT. RED 76" (not shown)	1
47	32.0022	CABLE, ASM NEG. BAT. BLK 74" (not shown)	1
48	32.0049	CABLE, FRAME-ENGINE GND STRAP (not shown)	1
51	13.0133	PUMP, FUEL VANG - V	1

ELECTRICAL

ILLUSTRATED DRAWING VANGUARD DIESEL WIRING DIAGRAM (40 amp charge system)

Harness number
32.0069



ELECTRICAL

VANGUARD DIESEL WIRING DIAGRAM (40 amp charge system)

REF.	PART NO.	DESCRIPTION	QTY.
1	33.0030	BATTERY, HARRIS (not shown)	1
2	30.0186	FUSE HOLDER, INLINE 35 AMP	1
4	30.0185	FUSE PANEL, 8 CIRCUIT ATC BLAD	1
6	30.0188	FUSE, 40 AMP ATC BLADE - AMBER.	1
9	30.0166	FUSE, 15 AMP ATC BLADE - BLUE	4
10	30.0187	FUSE, 5 AMP ATC BLADE - TAN	4
11	13.0078	SWITCH, IGNITION DELTA	1
12	13.0080	KEY, IGNITION DELTA	1
13	31.0035	SWITCH, CONTOUR OFF-ON-ON	1
14	31.0038	ROCKER, SWITCH SOFT/BK/AMB LEN	1
16	31.0036	SWITCH, CONTOUR ON-OFF DPST	1
17	31.0037	ROCKER, SWITCH SOFT/BLK/NO LEN.	1
18	31.0039	SWITCH, NEUTRAL N.O. 8" LEADS.	1
19	31.0033	SWITCH, SEAT 2" ROUND GRAY	1
22	33.0039	LIGHT, SEAT BELT/OIL RED.	1
23	33.0039	LIGHT, SEAT BELT/OIL RED.	1
24	33.0040	LIGHT, GLOWPLUG BLUE.	1
26	35.0103	RELAY, 50 AMP 5 POLE	3
27	30.0196	CONNECTOR, 5 PIN RELAY MOUNT	3
28	13.0071	TIMER, GLOW PLUG-VANGUARD	1
29	30.0198	TERMINAL BLOCK, 2 POSITION 30A	1
31	35.0102	TACHOMETER, WITH HOUR METER.	1
33	35.0101	GAUGE, VOLTMETER 12 VOLT	1
34	35.0100	GAUGE, TEMP 2" DIA 250°	1
36	13.0075	SENDING UNIT, TEMP 250 DEG.	1
37	13.0162	TRIGGER, IGNITION.	1
38	30.0152	CONNECTOR, BULLET - 3 WAY STD. (not shown)	1
39	37.0018	CLUTCH, ELECTRIC OGURA	1
41	33.0021	LIGHT, HEAD (ONE LIGHT) (Serial # 1001-1381)	2
41	33.0043	LIGHT, HEAD 12V 55W HALOGEN (Serial # 1382 -)	2
	33.0037	BULB, LIGHT(ONLY) FOR 55 WATT.	2
42	33.0022	LIGHT, TAIL RED-SINGLE BULB	2
	33.0034	LENS, RED REPLACEMENT	2
	33.0038	BULB, LIGHT (ONLY) FOR 33.0022	2
43	30.0202	DIODE, ASSEMBLY	1
46	32.0021	CABLE, ASM POS. BAT. RED 76" (not shown)	1
47	32.0022	CABLE, ASM NEG. BAT. BLK 74" (not shown).	1
48	32.0049	CABLE, FRAME-ENGINE GND STRAP (not shown)	1
52	13.0058	PUMP, FUEL VANG - W	1

ELECTRICAL

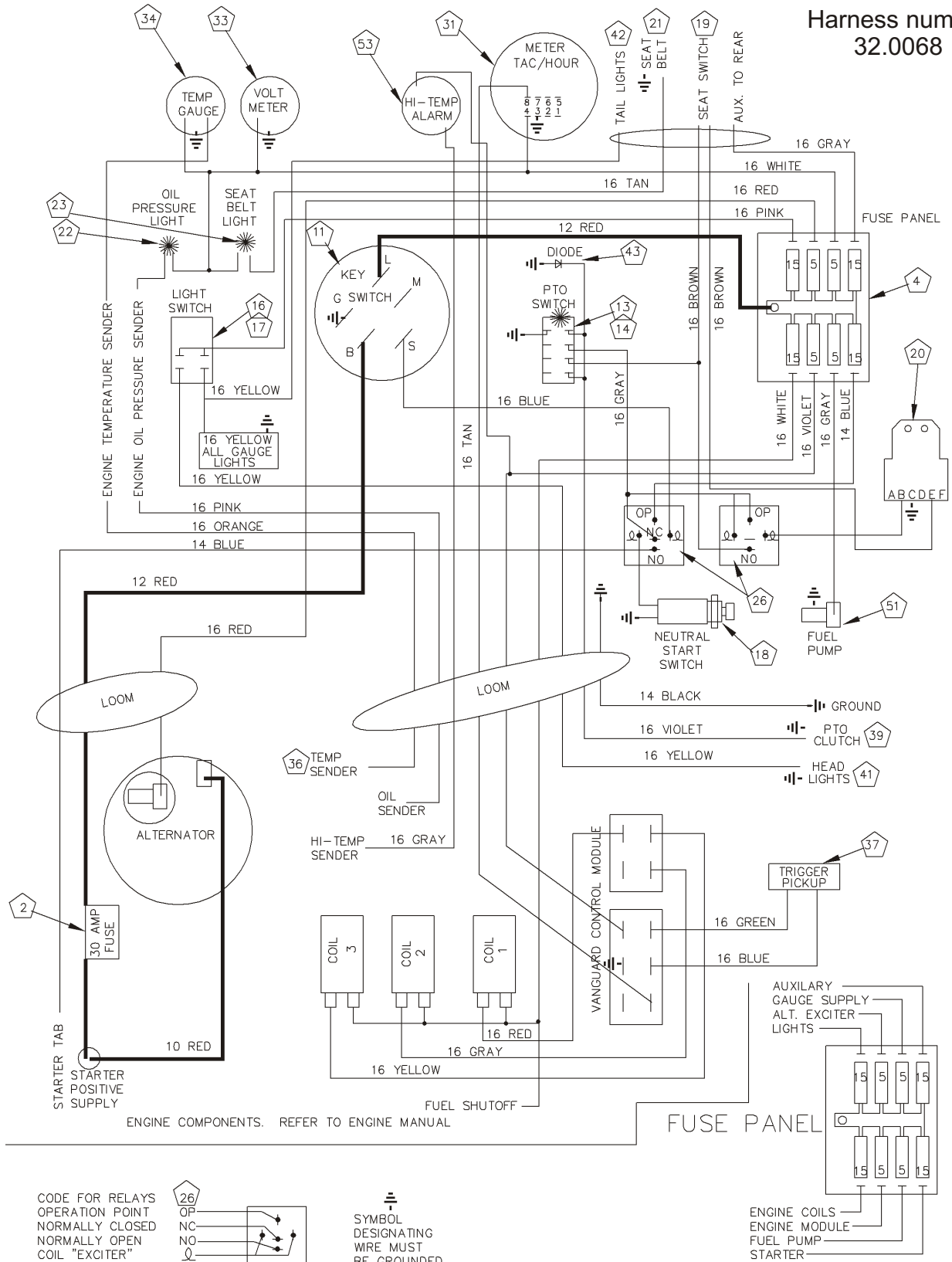
KAWASAKI WIRING DIAGRAM w/DELAY (20 amp charge system)

REF.	PART NO.	DESCRIPTION	QTY.
1	33.0030	BATTERY, HARRIS (not shown)	1
2	30.0186	FUSE HOLDER, INLINE 35 AMP	1
4	30.0185	FUSE PANEL, 8 CIRCUIT ATC BLAD	1
7	30.0197	FUSE, 30 AMP ATC BLADE - GREEN	2
9	30.0166	FUSE, 15 AMP ATC BLADE - BLUE	4
10	30.0187	FUSE, 5 AMP ATC BLADE - TAN	2
11	13.0078	SWITCH, IGNITION DELTA	1
12	13.0080	KEY, IGNITION DELTA	1
13	31.0035	SWITCH, CONTOUR OFF-ON-ON	1
14	31.0038	ROCKER, SWITCH SOFT/BK/AMB LEN	1
16	31.0036	SWITCH, CONTOUR ON-OFF DPST	1
17	31.0037	ROCKER, SWITCH SOFT/BLK/NO LEN.	1
18a	31.0039	SWITCH, NEUTRAL N.O. 8" LEADS (Serial # 1001-2497)	1
18b	31.0044	SWITCH, PUSH BUTTON - NEUTRAL (Serial # 2498 -)	1
19	31.0033	SWITCH, SEAT 2" ROUND GRAY	1
20	35.0106	TIME DELAY, .5 SECOND (Serial # 1087 -)	1
22	33.0039	LIGHT, SEAT BELT/OIL RED.	1
23	33.0039	LIGHT, SEAT BELT/OIL RED.	1
26	35.0103	RELAY, 50 AMP 5 POLE	2
27	30.0196	CONNECTOR, 5 PIN RELAY MOUNT	2
31	35.0102	TACHOMETER, WITH HOUR METER.	1
33	35.0101	GAUGE, VOLTMETER 12 VOLT	1
34	35.0100	GAUGE, TEMP 2" DIA 250°	1
36	13.0075	SENDING UNIT, TEMP 250 DEG.	1
37	13.0162	TRIGGER, IGNITION.	1
38	30.0152	CONNECTOR, BULLET - 3 WAY STD. (not shown)	1
39	37.0018	CLUTCH, ELECTRIC OGURA	1
41	33.0021	LIGHT, HEAD (ONE LIGHT) (Serial # 1001-1381)	2
41	33.0043	LIGHT, HEAD 12V 55W HALOGEN (Serial # 1382 -)	2
	33.0037	BULB, LIGHT(ONLY) FOR 55 WATT.	2
42	33.0022	LIGHT, TAIL RED-SINGLE BULB	2
	33.0034	LENS, RED REPLACEMENT	2
	33.0038	BULB, LIGHT (ONLY) FOR 33.0022	2
43	30.0202	DIODE, ASSEMBLY	1
46	32.0021	CABLE, ASM POS. BAT. RED 76" (not shown)	1
47	32.0022	CABLE, ASM NEG. BAT. BLK 74" (not shown).	1
53	13.0077	PUMP, FUEL KAW - X	1

ELECTRICAL

ILLUSTRATED DRAWING VANGUARD GAS WIRING DIAGRAM w/DELAY (40 amp charge system)

Harness number
32.0068



ELECTRICAL

VANGUARD GAS WIRING DIAGRAM w/DELAY (40 amp charge system)

REF.	PART NO.	DESCRIPTION	QTY.
1	33.0030	BATTERY, HARRIS (not shown)	1
2	30.0186	FUSE HOLDER, INLINE 35 AMP	1
4	30.0185	FUSE PANEL, 8 CIRCUIT ATC BLAD	1
7	30.0197	FUSE, 30 AMP ATC BLADE - GREEN	1
9	30.0166	FUSE, 15 AMP ATC BLADE - BLUE	4
10	30.0187	FUSE, 5 AMP ATC BLADE - TAN	4
11	13.0078	SWITCH, IGNITION DELTA	1
12	13.0080	KEY, IGNITION DELTA	1
13	31.0035	SWITCH, CONTOUR OFF-ON-ON	1
14	31.0038	ROCKER, SWITCH SOFT/BK/AMB LEN	1
16	31.0036	SWITCH, CONTOUR ON-OFF DPST	1
17	31.0037	ROCKER, SWITCH SOFT/BLK/NO LEN.	1
18a	31.0039	SWITCH, NEUTRAL N.O. 8" LEADS (Serial # 1001-2497)	1
18b	31.0044	SWITCH, PUSH BUTTON - NEUTRAL (Serial # 2498 -)	1
19	31.0033	SWITCH, SEAT 2" ROUND GRAY	1
20	35.0106	TIME DELAY, .5 SECOND (Serial # 1087 -)	1
22	33.0039	LIGHT, SEAT BELT/OIL RED.	1
23	33.0039	LIGHT, SEAT BELT/OIL RED.	1
26	35.0103	RELAY, 50 AMP 5 POLE	2
27	30.0196	CONNECTOR, 5 PIN RELAY MOUNT	2
31	35.0102	TACHOMETER, WITH HOUR METER.	1
33	35.0101	GAUGE, VOLTMETER 12 VOLT	1
34	35.0100	GAUGE, TEMP 2" DIA 250°	1
36	13.0075	SENDING UNIT, TEMP 250 DEG.	1
37	13.0162	TRIGGER, IGNITION.	1
38	30.0152	CONNECTOR, BULLET - 3 WAY STD. (not shown)	1
39	37.0018	CLUTCH, ELECTRIC OGURA	1
41	33.0021	LIGHT, HEAD (ONE LIGHT) (Serial # 1001-1381)	2
41	33.0043	LIGHT, HEAD 12V 55W HALOGEN (Serial # 1382 -)	2
	33.0037	BULB, LIGHT(ONLY) FOR 55 WATT.	2
42	33.0022	LIGHT, TAIL RED-SINGLE BULB	2
	33.0034	LENS, RED REPLACEMENT	2
	33.0038	BULB, LIGHT (ONLY) FOR 33.0022	2
43	30.0202	DIODE, ASSEMBLY	1
46	32.0021	CABLE, ASM POS. BAT. RED 76" (not shown)	1
47	32.0022	CABLE, ASM NEG. BAT. BLK 74" (not shown).	1
48	32.0049	CABLE, FRAME-ENGINE GND STRAP (not shown)	1
51	13.0133	PUMP, FUEL VANG - V	1
53	35.0107	ALARM, HIGH TEMP.	1

ELECTRICAL

VANGUARD DIESEL WIRING DIAGRAM w/DELAY (40 amp charge system)

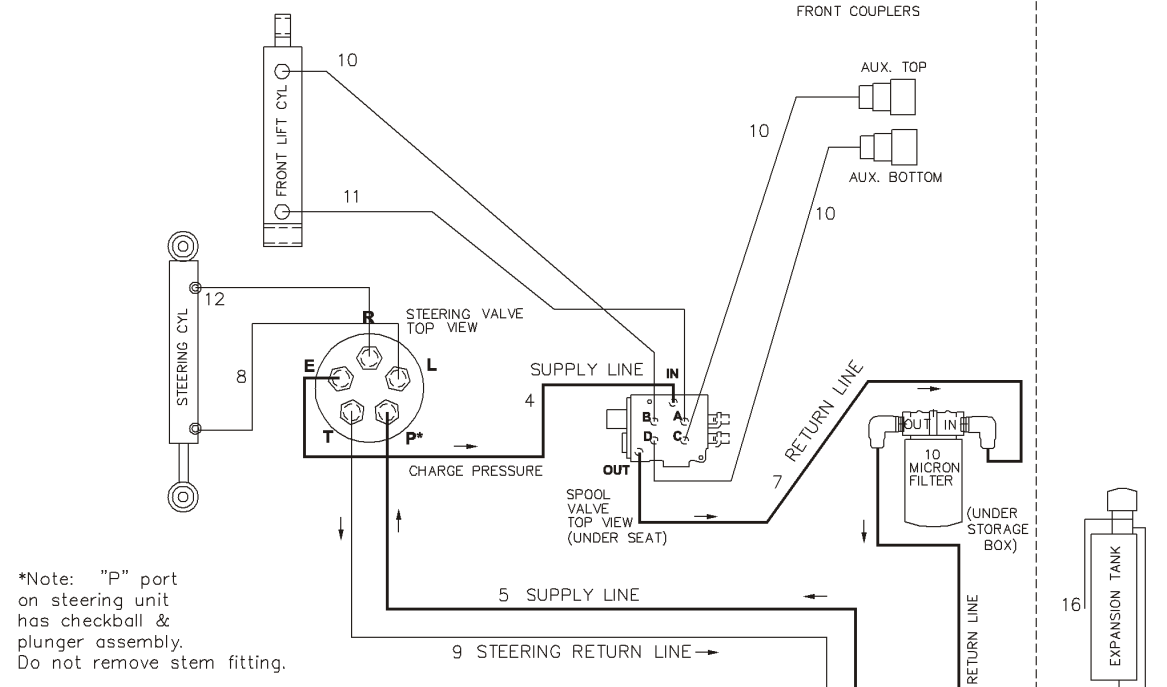
REF.	PART NO.	DESCRIPTION	QTY.
1	33.0030	BATTERY, HARRIS (not shown)	1
2	30.0186	FUSE HOLDER, INLINE 35 AMP	1
4	30.0185	FUSE PANEL, 8 CIRCUIT ATC BLAD	1
6	30.0188	FUSE, 40 AMP ATC BLADE - AMBER	1
9	30.0166	FUSE, 15 AMP ATC BLADE - BLUE	4
10	30.0187	FUSE, 5 AMP ATC BLADE - TAN	4
11	13.0078	SWITCH, IGNITION DELTA	1
12	13.0080	KEY, IGNITION DELTA	1
13	31.0035	SWITCH, CONTOUR OFF-ON-ON	1
14	31.0038	ROCKER, SWITCH SOFT/BK/AMB LEN	1
16	31.0036	SWITCH, CONTOUR ON-OFF DPST	1
17	31.0037	ROCKER, SWITCH SOFT/BLK/NO LEN.	1
18a	31.0039	SWITCH, NEUTRAL N.O. 8" LEADS (Serial # 1001-2497)	1
18b	31.0044	SWITCH, PUSH BUTTON - NEUTRAL (Serial # 2498 -)	1
19	31.0033	SWITCH, SEAT 2" ROUND GRAY	1
20	35.0106	TIME DELAY, .5 SECOND (Serial # 1087 -)	1
22	33.0039	LIGHT, SEAT BELT/OIL RED	1
23	33.0039	LIGHT, SEAT BELT/OIL RED	1
24	33.0040	LIGHT, GLOWPLUG BLUE	1
26	35.0103	RELAY, 50 AMP 5 POLE	3
27	30.0196	CONNECTOR, 5 PIN RELAY MOUNT	3
28	13.0071	TIMER, GLOW PLUG-VANGUARD	1
29	30.0198	TERMINAL BLOCK, 2 POSITION 30A	1
31	35.0102	TACHOMETER, WITH HOUR METER	1
33	35.0101	GAUGE, VOLTMETER 12 VOLT	1
34	35.0100	GAUGE, TEMP 2" DIA 250°	1
36	13.0075	SENDING UNIT, TEMP 250 DEG	1
37	13.0162	TRIGGER, IGNITION	1
38	30.0152	CONNECTOR, BULLET - 3 WAY STD. (not shown)	1
39	37.0018	CLUTCH, ELECTRIC OGURA	1
41	33.0021	LIGHT, HEAD (ONE LIGHT) (Serial # 1001-1381)	2
41	33.0043	LIGHT, HEAD 12V 55W HALOGEN (Serial # 1382 -)	2
	33.0037	BULB, LIGHT(ONLY) FOR 55 WATT	2
42	33.0022	LIGHT, TAIL RED-SINGLE BULB	2
	33.0034	LENS, RED REPLACEMENT	2
	33.0038	BULB, LIGHT (ONLY) FOR 33.0022	2
43	30.0202	DIODE, ASSEMBLY	1
46	32.0021	CABLE, ASM POS. BAT. RED 76" (not shown)	1
47	32.0022	CABLE, ASM NEG. BAT. BLK 74" (not shown)	1
48	32.0049	CABLE, FRAME-ENGINE GND STRAP (not shown)	1
52	13.0058	PUMP, FUEL VANG - W	1
53	35.0107	ALARM, HIGH TEMP	1

HYDRAULICS & AXLES

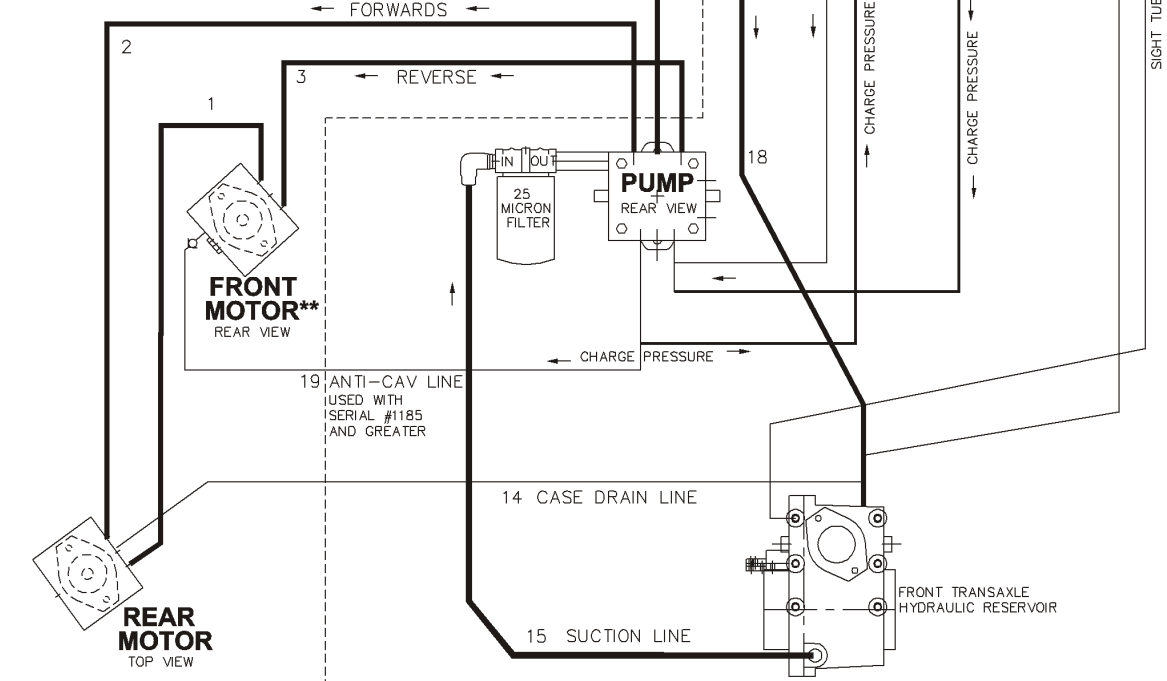
ILLUSTRATED DRAWING HYDRAULIC DIAGRAM

ALL VIEWS ARE FROM REAR OF TRACTOR, OR AS NOTED

OPEN LOOP IMPLEMENT CIRCUIT



CLOSED LOOP DRIVE CIRCUIT HIGH PRESSURE



**NOTE: THE FRONT TRANSAXLE IS PART OF THE HYDRAULIC SYSTEM, SO THE FRONT MOTOR MUST HAVE ITS SEAL REMOVED
THE REAR TRANSAXLE IS SEPARATE FROM THE HYDRAULIC SYSTEM, HENCE THE REAR MOTOR SEAL IS NOT TO BE REMOVED

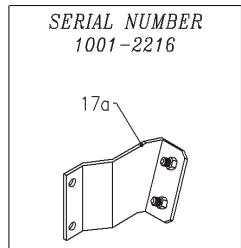
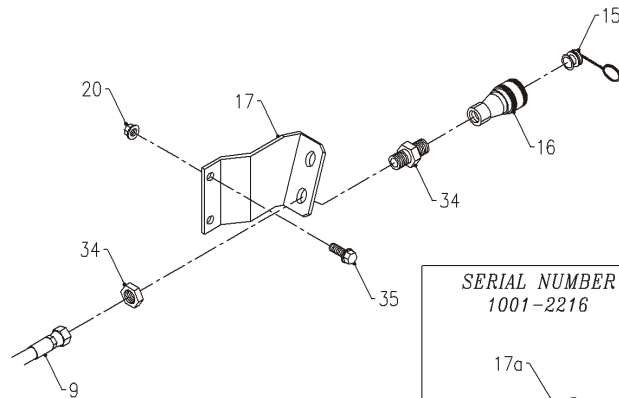
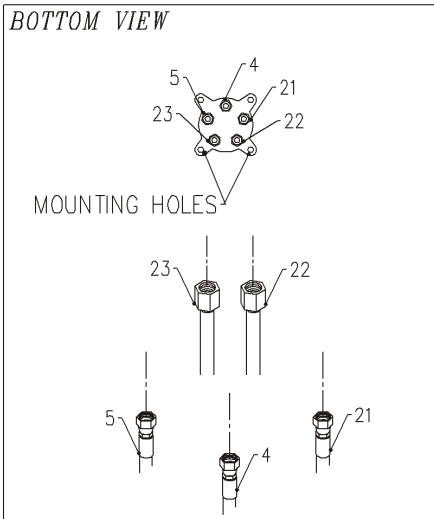
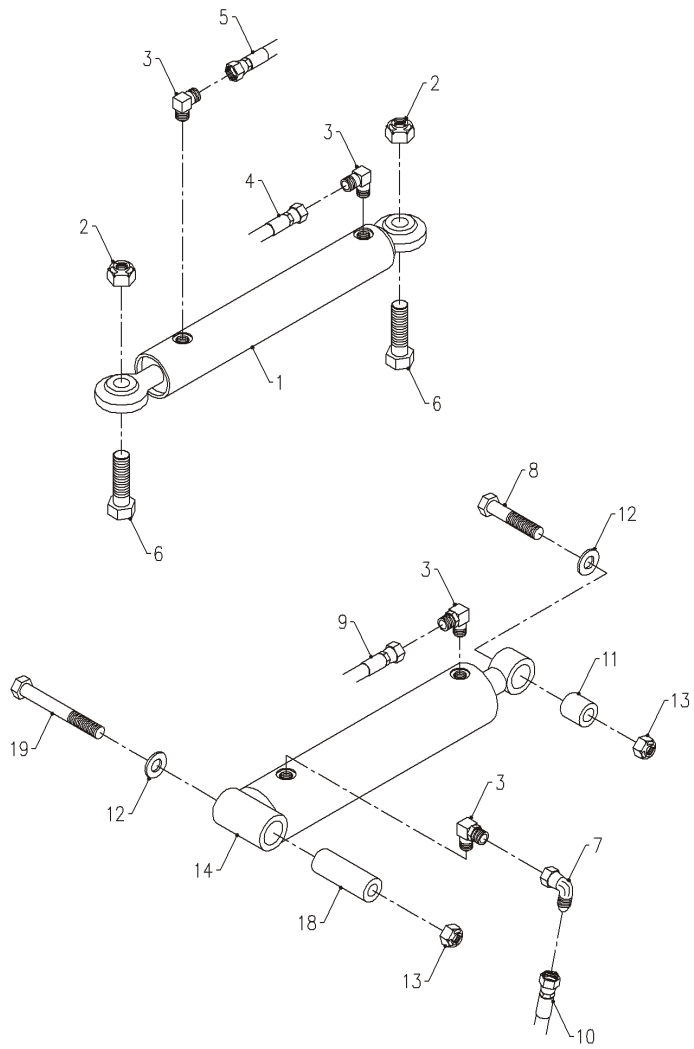
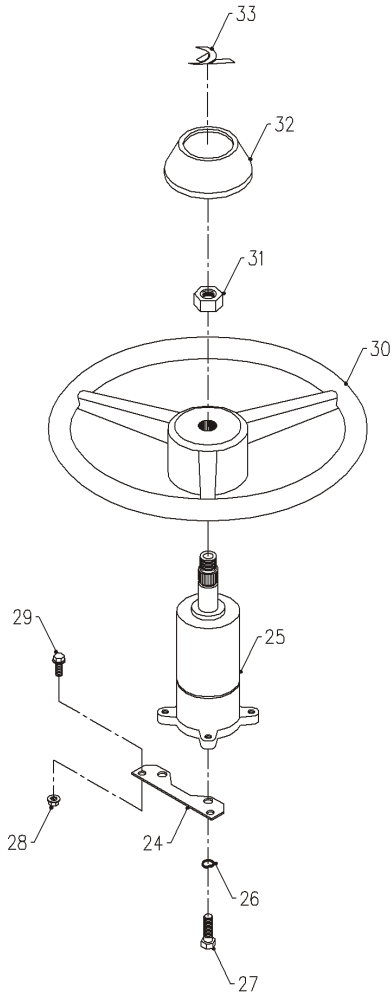
HYDRAULICS & AXLES

HYDRAULIC DIAGRAM

REF.	PART NO.	DESCRIPTION	QTY.
1	20.0175	HOSE, ASM X 75" 1/2-5000 E/CL (Serial # 1001-2360)	1
1	20.0223	HOSE,ASM 1/2IDX77 SSBRAID-PTFE (Serial # 2361 -)	1
2	20.0176	HOSE, ASM X 64" 1/2-5000 E/CL (Serial # 1001-2360)	1
2	20.0224	HOSE,ASM 1/2IDX65 SSBRAID-PTFE (Serial # 2361 -)	1
3	20.0177	HOSE, ASM X 26-1/2" 1/2-5000 (Serial # 1001-2360)	1
3	20.0225	5/8OD X .095W STEEL TUBE ZYP (Serial # 2361 -)	1
4	20.0172	HOSE, ASM X 53" 3/8-1 W (Serial # 1001-2360)	1
4	20.0222	HOSE,ASM 3/8X55 CPE SAE100R1AT (Serial # 2361 -)	1
5	20.0155	HOSE, ASM X 19" 3/8-1W (Serial # 1001-2360)	1
5	20.0221	STEEL TUBE, 3/8 OD X .035W YZP (Serial # 2361 -)	1
6	20.0130	HOSE, ASM X 40" 3/8-1W (Serial # 1001-2360)	1
6	20.0219	HOSE,ASM 3/8X40 CPE SAE100R1AT (Serial # 2361 -)	1
7	20.0132	HOSE, ASM X 32" 3/8-1W (Serial # 1001-2360)	1
7	20.0220	HOSE,ASM 3/8X32 CPE SAE100R1AT (Serial # 2361 -)	1
8	20.0173	HOSE, ASM X 42" 1/4-1 W.	1
9	20.0123	HOSE, ASM X 19-1/2" 1/4-1W (Serial # 1001-2360)	1
9	20.0218	STEEL TUBE, 3/8OD X .035W YZP (Serial # 2361 -)	1
10	20.0116	HOSE, ASM X 56" 1/4-1W #6	3
11	20.0213	HOSE, ASM C 1/4 X 46"-2750	1
12	20.0113	HOSE, ASM X 38" 1/4-1W	1
13	22.0024	HOSE, ASM X 11-1/4" 1/2 P.LOC	1
14	22.0025	HOSE, ASM X 53" 3/8 PUSHLOCK	1
15	22.0026	HOSE, ASM X 20-1/2" 5/8 P.LOCK	1
16	27.F04-42IN	HOSE, FUEL LINE X 1/4 X 42"	1
17	27.T04-36IN	TUBE, TEFLON 1/4 OD X .187 ID X 36"	1
18	20.0171	TUBE, OIL COOLING 1/2 OD	1
19	20.0187	HOSE, ASM X 13-1/2" 1/4"-3000.	1

HYDRAULICS & AXLES

ILLUSTRATED DRAWING STEERING, LIFT, & AUXILIARY HYDRAULICS



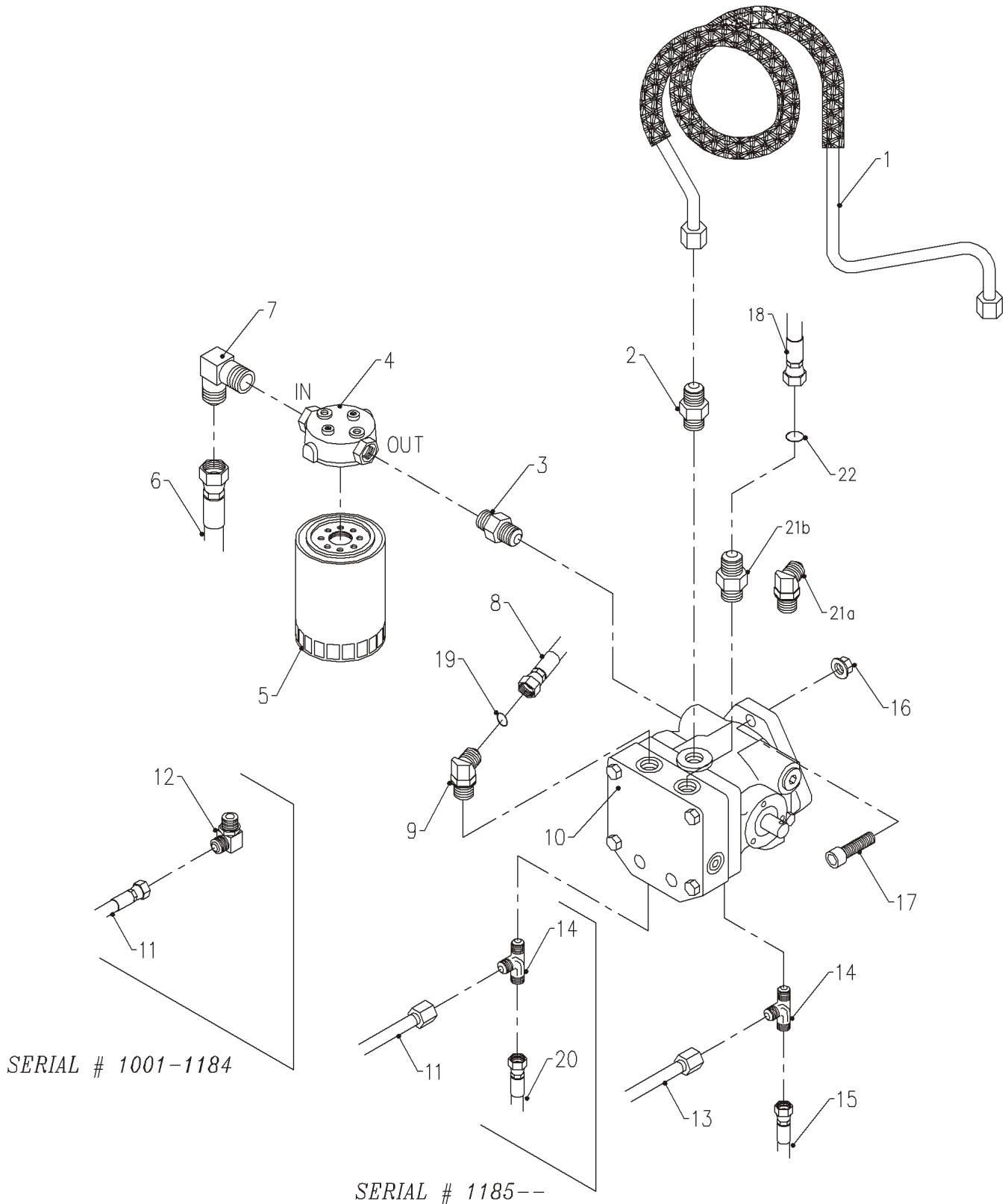
HYDRAULICS & AXLES

STEERING, LIFT, & AUXILIARY HYDRAULICS

REF.	PART NO.	DESCRIPTION	QTY.
1	70.4048	KIT, STEERING CYLINDER KT/LT (Serial # 1001-1343)	1
1	23.0129	CYLINDER, 1-1/2" X 8" STEERING (Serial # 1344 -)	1
2	99.A10NF	LOCKNUT, STOVER 5/8-18 SAE	2
3	25.2501-06-04	FITTING, 90 ME 3/8 X 1/4 (Serial # 1001-1343)	4
3	25.6801-06-06	FITTING, 90 ME 3/8 X 3/8 (Serial # 1344 -)	4
4	20.0113	HOSE, ASM X 38" 1/4-1W	1
5	20.0173	HOSE, ASM X 42" 1/4-1 W.	1
6	91.1018	BOLT, 5/8-18 SAE X 2 1/4	2
7	25.6500-06-06	FITTING, 90 MFE 3/8 X 3/8	1
8	90.0818	BOLT, 1/2-13 USS X 2 1/4 (Serial # 1001-2490)	1
8	90.0820	BOLT, 1/2-13 USS X 2 1/2 (Serial # 2491 -)	1
9	20.0116	HOSE, ASM X 56" 1/4-1W #6	3
10	20.0213	HOSE, ASM C 1/4 X 46"-2750	1
11	64.0749	BUSHING, 33/64 X 1 X 1-1/16	1
12	95.08	WASHER, FLAT 1/2 SAE.	2
13	99.A08	LOCKNUT, STOVER 1/2-13 USS	2
14	70.4053	KIT, LIFT CYLINDER REPLACEMENT (Serial # 1001-1343)	1
14	23.0128	CYLINDER, 2" X 8" LIFT (Serial # 1344 -)	1
15	23.0126	PLUG, NYLON FOR 23.0106.	2
16	23.0106	COUPLER, HYD. QUICK FEMALE 1/4	2
17a	64.0924	PLATE, HYD QUICK COUPLER MOUNT (Serial # 1001-2216)	1
17b	64.1163	BRACKET, HYD QUICK COUPLER (Serial # 2217 -)	1
18	64.0951	BUSHING, 33/64ID X 1 OD X2-3/4.	1
19	90.0832	BOLT, 1/2-13 USS X 4	1
20	99.SF06	NUT, SF 3/8-16 USS	2
21	20.0172	HOSE, ASM X 53" 3/8-1 W (Serial # 1001-2360)	1
21	20.0222	HOSE, ASM 3/8X55 CPE SAE100R1AT (Serial # 2361 -)	1
22	20.0123	HOSE, ASM X 19-1/2" 1/4-1W (Serial # 1001-2360).	1
22	20.0218	STEEL TUBE, 3/8OD X .035W YZP (Serial # 2361 -)	1
23	20.0155	HOSE, ASM X 19" 3/8-1W (Serial # 1001-2360)	1
23	20.0221	STEEL TUBE, 3/8 OD X .035W YZP (Serial # 2361 -).	1
24	64.0915	PLATE, STEER POST BOTTOM ANCH	1
25	23.0113	VALVE, STEERING-DANFOSS 100CC	1
	89.0095	KIT, SEAL 23.0113 STEER VALVE.	1
26	96.05	WASHER, LOCK 5/16	2
27	99.M0009	BOLT, M8 X 1.25 P X 25 MM LONG	2
28	99.SF04	NUT, SF 1/4-20 USS	2
29	99.SF0404-1	BOLT, SF 1/4-20 X 1/2 W/RUBBER	2
30	47.0117	STEERING WHEEL, 16MM X 40T	1
31	99.E0011	NUT, JAM 5/8 SAE	1
32	47.0118	CAP, STEERING WHEEL	1
33	00.0207	DECAL, VENTRAC DOME	1
34	25.2706-04-06LN	FITTING, BULKHEAD W/LOCKNUT (Serial # 2217 -)	2
35	99.SF0606	BOLT, SF 3/8-16 USS X 3/4	2

HYDRAULICS & AXLES

ILLUSTRATED DRAWING PUMP & FRONT FILTER



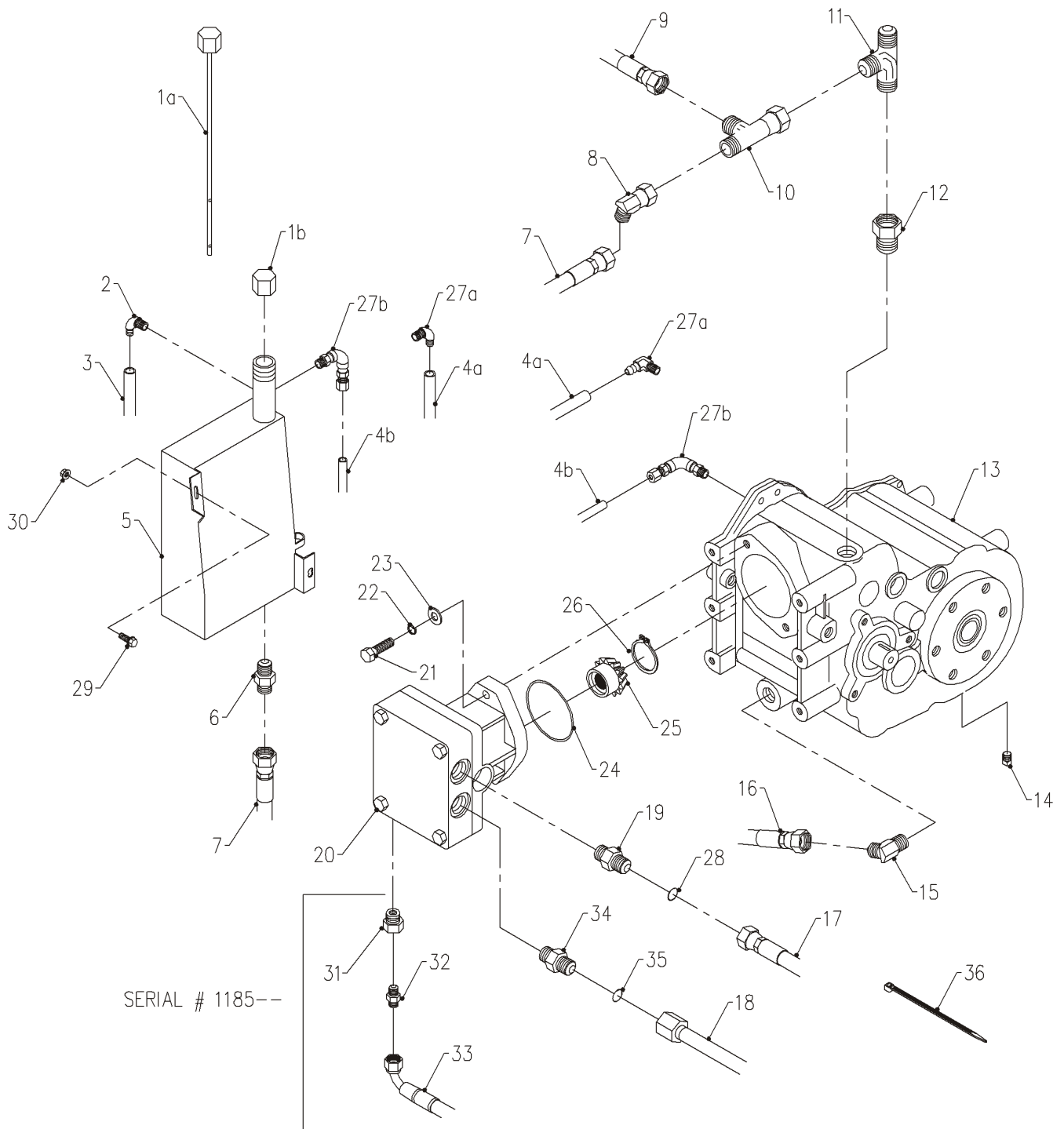
HYDRAULICS & AXLES

PUMP & FRONT FILTER

REF.	PART NO.	DESCRIPTION	QTY.
1	20.0171	TUBE, OIL COOLING 1/2 OD	1
2	25.6400-08-08	FITTING, M CONN 1/2 X 1/2	1
3	25.6401-10-08	FITTING, M ADPT 5/8 X 1/2	1
4	21.0082	FILTER, HEAD 1/2" NPT PORT	1
5	21.0001	FILTER, HYDRAULIC ZINGA AE25.	1
6	22.0026	HOSE, ASM X 20-1/2" 5/8 P.LOCK	1
7	25.2501-10-08	FITTING, 90 ME 5/8 X 1/2	1
8	20.0176	HOSE, ASM X 64" 1/2-5000 E/CL (Serial # 1001-2360)	1
8	20.0224	HOSE,ASM 1/2IDX65 SSBRAID-PTFE (Serial # 2361 -)	1
9	25.4365-08-08	FITTING, 45 ME 1/2 X 1/2	1
10.	21.0080	PUMP, HYD. SUNDSTRAND	1
11.	20.0155	HOSE, ASM X 19" 3/8-1W (Serial # 1001-2360)	1
11.	20.0221	STEEL TUBE, 3/8 OD X .035W YZP (Serial # 2361 -).	1
12.	25.6801-06-06	FITTING, 90 ME 3/8 X 3/8 (Serial # 1001-1184)	1
13.	20.0123	HOSE, ASM X 19-1/2" 1/4-1W (Serial # 1001-2360).	1
13.	20.0218	STEEL TUBE, 3/8OD X .035W YZP (Serial # 2361 -)	1
14.	25.6804-6-6-6.	FITTING, M TEE 3/8 X 3/8 X 3/8	2
15.	20.0130	HOSE, ASM X 40" 3/8-1W (Serial # 1001-2360).	1
15.	20.0219	HOSE,ASM 3/8X40 CPE SAE100R1AT (Serial # 2361 -)	1
16.	99.SF08	NUT, SF 1/2-13 USS	2
17.	99.K0039	BOLT, SHCS 1/2 X 1 1/2.	2
18.	20.0177	HOSE, ASM X 26-1/2" 1/2-5000 (Serial # 1001-2360)	1
18.	20.0225	5/8OD X .095W STEEL TUBE ZYP (Serial # 2361 -)	1
19.	26.0009	O-RING, .070 X .489 ID 90D.	A/R
20.	20.0187	HOSE, ASM X 13-1/2" 1/4"-3000.	1
21a	25.4365-08-08	FITTING, 45 ME 1/2 X 1/2 (Serial # 1001-2360)	1
21b	25.4315-10-08	FITTING, -10 MORF X -8 MORB (Serial # 2361 -)	1
22.	26.0009	O-RING, .070 X .489 ID 90D (Serial # 1001-2360)	A/R
22.	26.0023	O-RING, .070 X .614ID 90D (Serial # 2361 -)	A/R

HYDRAULICS & AXLES

ILLUSTRATED DRAWING FRONT TRANSAXLE



HYDRAULICS & AXLES

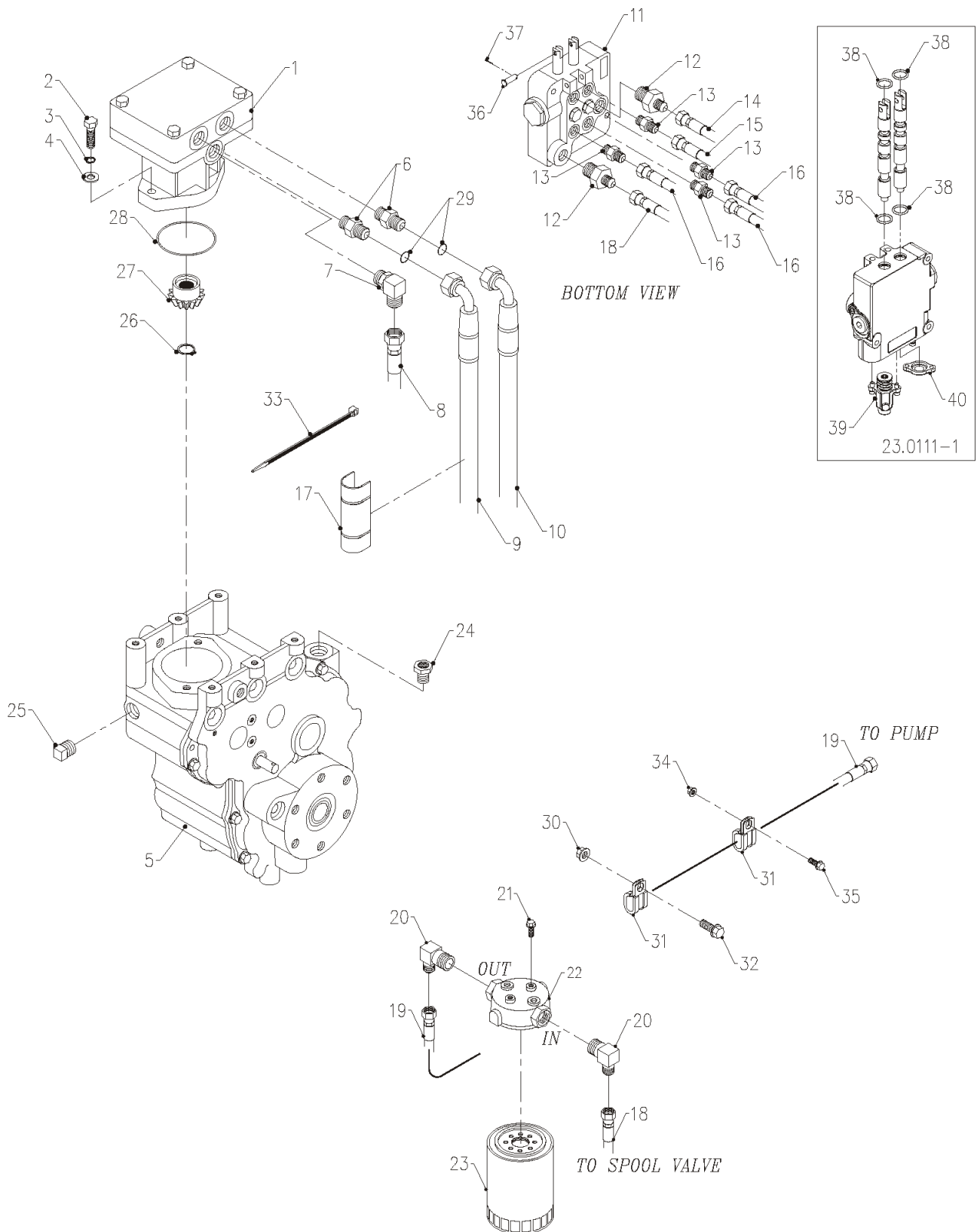
FRONT TRANSAXLE

REF.	PART NO.	DESCRIPTION	QTY.
1a.	64.0914.	DIP STICK, OIL TANK KT (Serial # 1005-1050)	1
1b.	29.C12H	PIPE, CAP 3/4 NPT HEX ZP (Serial # 1051 -)	1
2	29.BF04MP0290	FITTING B. 1/4 BRB 1/8 NPT 90	1
3	27.F04-42IN	HOSE, FUEL LINE X 1/4 X 42"	1
4a.	27.P04-36IN	HOSE, PUSHLOCK X 1/4 X 36" (Serial # 1005-1050)	1
4b.	27.T04-36IN	TUBE, TEFLON 1/4 OD X .187 ID X 36" (Serial # 1051 -)	1
5	64.0913.	TANK, OIL	1
6	25.2404-08-06	FITTING, M CONN 1/2 X 3/8	1
7	22.0024.	HOSE, ASM X 11-1/4" 1/2 P.LOC	1
8	25.6502-08-08	FITTING, 45 MFE 1/2 X 1/2	1
9	22.0025.	HOSE, ASM X 53" 3/8 PUSHLOCK	1
10.	25.6602-8-8-8.	FITTING, TEE SINGLE SWIVEL 1/2	1
11.	25.2605-8-8-8.	FITTING, M TEE 1/2 X 1/2 X 1/2	1
12.	25.5406-12-08	FITTING, BUSHING 3/4 X 1/2	1
13.	51.0020.	TRANSAXLE, PEERLESS	1
14.	29.P06G	PIPE, PLUG 3/8 GALV SQ ZP	1
15.	25.6802-10-10	FITTING, 45 ME 5/8 X 5/8	1
16.	22.0026.	HOSE, ASM X 20-1/2" 5/8 P.LOCK	1
17.	20.0175.	HOSE, ASM X 75" 1/2-5000 E/CL (Serial # 1001-2360)	1
17.	20.0223.	HOSE, ASM 1/2IDX77 SSBRAID-PTFE (Serial # 2361 -)	1
18.	20.0177.	HOSE, ASM X 26-1/2" 1/2-5000 (Serial # 1001-2360)	1
18.	20.0225.	5/8OD X .095W STEEL TUBE ZYP (Serial # 2361 -)	1
19.	25.4315-08-08	FITTING, M CONN 1/2 X 1/2	1
20.	21.0081**	MOTOR, HYD. SUNDSTRAND (REMOVE SEAL)**	1
21.	90.0612.	BOLT, 3/8-16 USS X 1 1/2	2
22.	96.06	WASHER, LOCK 3/8	2
23.	95.06	WASHER, FLAT 3/8 SAE	2
24.	26.0012.	O-RING, 3 X 3-1/8 X 1/16	1
25.	87.0165.	GEAR, PINION MOTOR TO AXLE	1
26.	04.0015.	SNAP RING, EXT .039 X .588	1
27a	29.BF04MP0290	FITTING B. 1/4 BRB 1/8 NPT 90 (Serial # 1005-1050)	2
27b	29.GF0016	FITTING, COMP 1/4OD 1/8 MP 90D (Serial # 1051 -)	2
28.	26.0009.	O-RING, .070 X .489 ID 90D	A/R
29.	99.SF0405-1	BOLT, SF 1/4-20 X 5/8 W/RUBBER	2
30.	99.SF04	NUT, SF 1/4-20 USS	2
31.	25.6410-08-06	FITTING, M/F O-RING 1/2 X 3/8	1
32.	23.0123.	VALVE, CHECK - VONBERG	1
33.	20.0187.	HOSE, ASM X 13-1/2" 1/4"-3000	1
34.	25.4315-08-08	FITTING, M CONN 1/2 X 1/2 (Serial # 1001-2360)	1
34.	25.4315-10-08	FITTING, -10 MORF X -8 MORB (Serial # 2361 -)	1
35.	26.0009.	O-RING, .070 X .489 ID 90D (Serial # 1001-2360)	A/R
35.	26.0023.	O-RING, .070 X .614ID 90D (Serial # 2361 -)	A/R
36.	30.0037.	TYTON TIE, #50 .18 X 8 BLACK	1

**NOTE: When replacing the front motor, the shaft seal must be removed.

HYDRAULICS & AXLES

ILLUSTRATED DRAWING REAR TRANSAXLE & HYDRAULICS



HYDRAULICS & AXLES

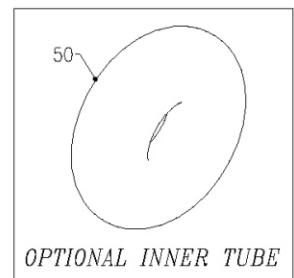
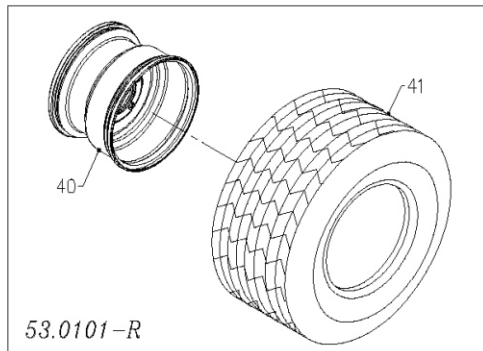
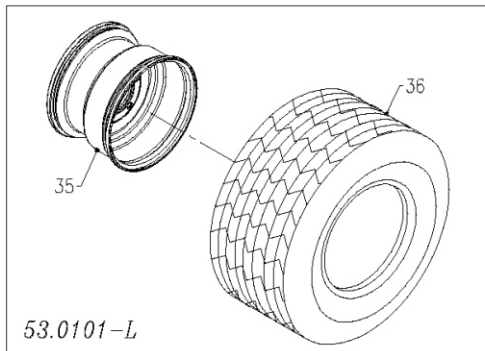
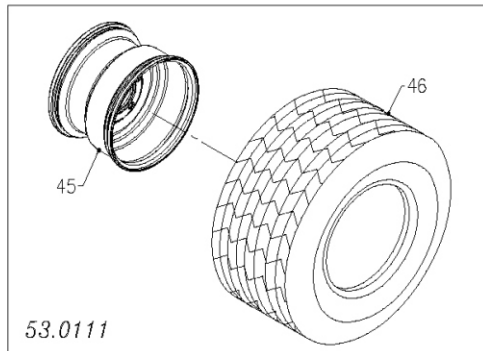
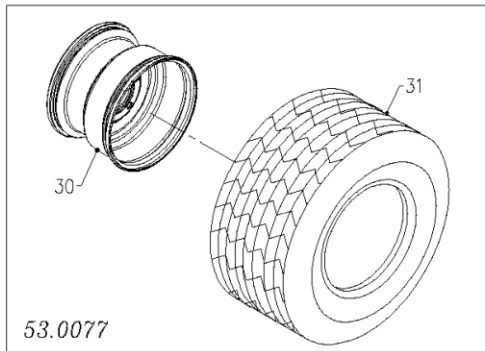
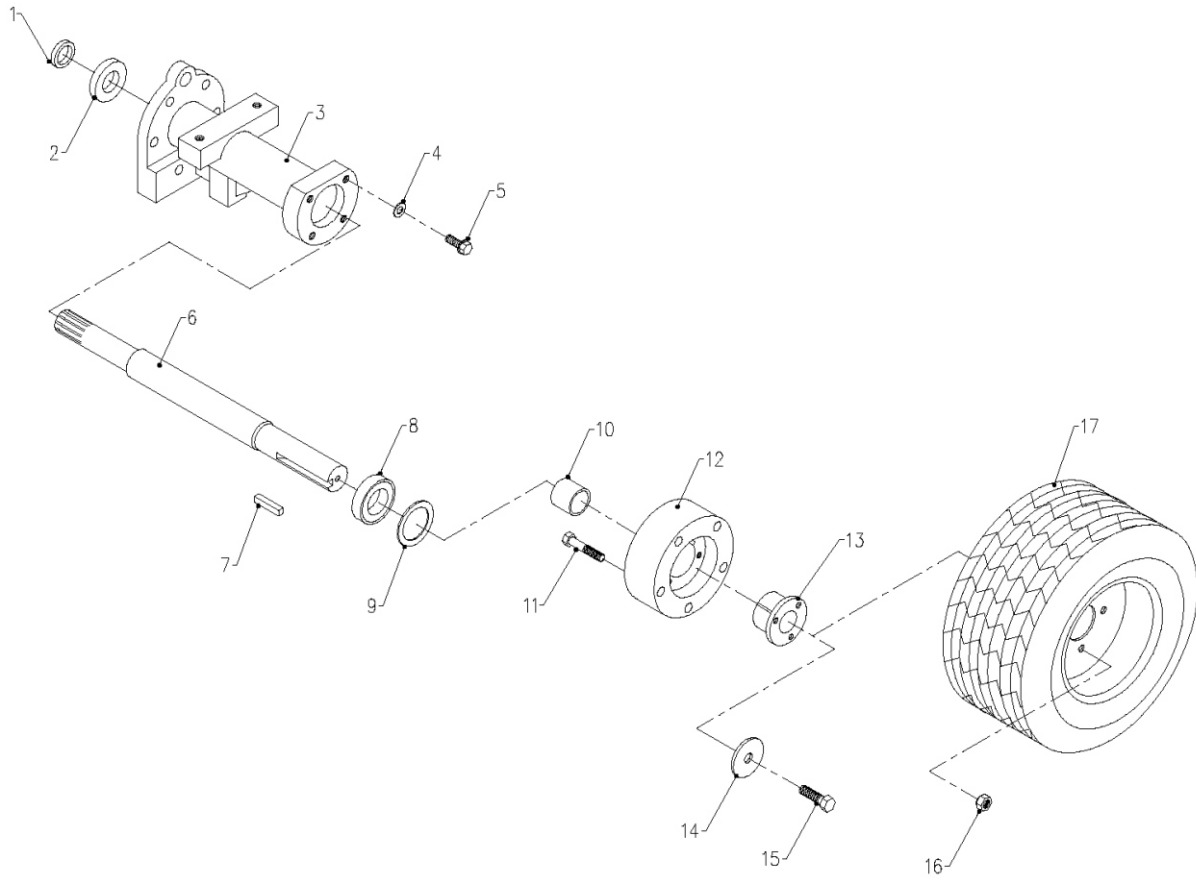
REAR TRANSAXLE & HYDRAULICS

REF.	PART NO.	DESCRIPTION	QTY.
1	21.0081*	MOTOR, HYD. SUNDSTRAND*	1
2	90.0612.	BOLT, 3/8-16 USS X 1 1/2	2
3	96.06	WASHER, LOCK 3/8	2
4	95.06	WASHER, FLAT 3/8 SAE	2
5	51.0020.	TRANSAXLE, PEERLESS	1
6	25.4315-08-08	FITTING, M CONN 1/2 X 1/2	2
7	25.6801-08-08	FITTING, 90 ME 1/2 X 1/2	1
8	22.0025.	HOSE, ASM X 53" 3/8 PUSHLOCK	1
9	20.0175.	HOSE, ASM X 75" 1/2-5000 E/CL (Serial # 1001-2360)	1
9	20.0223.	HOSE,ASM 1/2IDX77 SSBRAID-PTFE (Serial # 2361 -)	1
10.	20.0176.	HOSE, ASM X 64" 1/2-5000 E/CL (Serial # 1001-2360)	1
10.	20.0224.	HOSE,ASM 1/2IDX65 SSBRAID-PTFE (Serial # 2361 -)	1
11.	23.0111-1.	VALVE, HY 2 SPL W/LH FLT,RH SP	1
	23.0111-7.	KIT, SPOOL FLOAT FOR 23.0111	1
12.	25.6400-06-08	FITTING, M CONN 3/8 X 1/2	2
13.	25.6400-06-06	FITTING, M CONN 3/8 X 3/8	4
14.	20.0172.	HOSE, ASM X 53" 3/8-1 W (Serial # 1001-2360)	1
14.	20.0222.	HOSE,ASM 3/8X55 CPE SAE100R1AT (Serial # 2361 -)	1
15.	20.0213.	HOSE, ASM C 1/4 X 46"-2750	1
16.	20.0116.	HOSE, ASM X 56" 1/4-1W #6	3
17.	44.0224.	SLEEVE, HOSE PROTECTOR 6" (Serial # 2361 -)	1
18.	20.0132.	HOSE, ASM X 32" 3/8-1W (Serial # 1001-2360).	1
18.	20.0220.	HOSE,ASM 3/8X32 CPE SAE100R1AT (Serial # 2361 -)	1
19.	20.0130.	HOSE, ASM X 40" 3/8-1W (Serial # 1001-2360).	1
19.	20.0219.	HOSE,ASM 3/8X40 CPE SAE100R1AT (Serial # 2361 -)	1
20.	25.2501-06-08	FITTING, 90 ME 3/8 X 1/2	2
21.	99.SF0404	BOLT, SF 1/4-20 X 1/2	2
22.	21.0082.	FILTER, HEAD 1/2" NPT PORT	1
23.	21.0078.	FILTER, HYDRAULIC 10 MICRON	1
24.	25.6408-H-10.	FITTING, -10 MORB X ALLEN	1
25.	29.P12G	PIPE, PLUG 3/4" GALV. SQ ZP	1
26.	04.0015.	SNAP RING, EXT .039 X .588	1
27.	87.0165.	GEAR, PINION MOTOR TO AXLE.	1
28.	26.0012.	O-RING, 3 X 3-1/8 X 1/16	1
29.	26.0009.	O-RING, .070 X .489 ID 90D.	A/R
30.	99.SF06	NUT, SF 3/8-16 USS	1
31.	11.0046	CLAMP, CUSHIONED METAL 1/2"	2
32.	99.SF0606	BOLT, SF 3/8-16 USS X 3/4	1
33.	30.0204.	TYTON TIE, #50 .190 X 12"	3
34.	99.SF04	NUT, SF 1/4-20 USS	1
35.	99.SF0406	BOLT, SF 1/4-20 X 3/4	1
36.	03.0406.	CLEVIS PIN, 1/4 X 3/4	2
37.	02.CP0204	COTTER PIN, 1/16 X 1/2.	2
38.	26.0027.	O-RING, 5/8ID X 13/16OD X 3/32	4
39.	23.0111-7.	KIT, SPOOL FLOAT HYD. VALVE	1
40.	23.0111-8.	CAP, VALVE	1

*The shaft seal on the rear motor MUST NOT be removed.

HYDRAULICS & AXLES

ILLUSTRATED DRAWING AXLE & TIRE (Serial # 1001-1138)



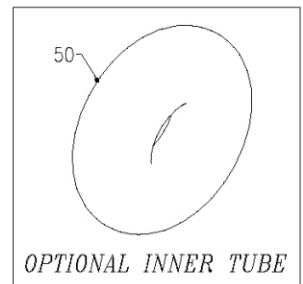
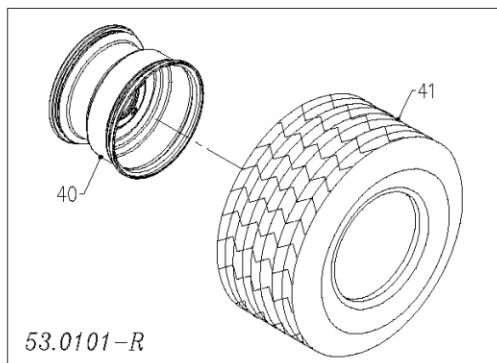
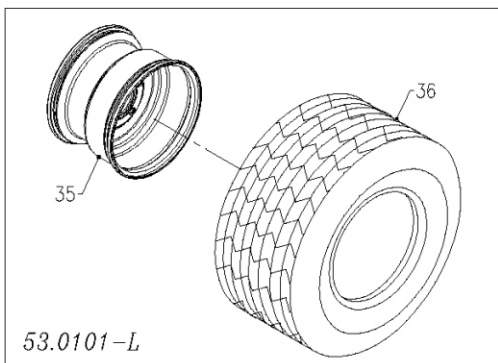
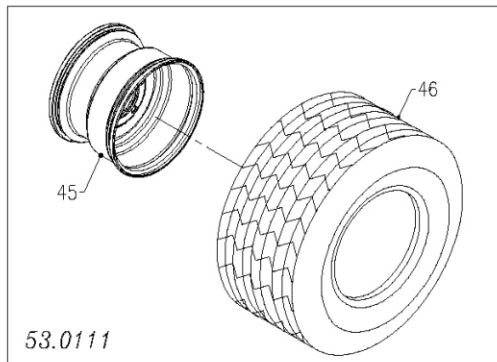
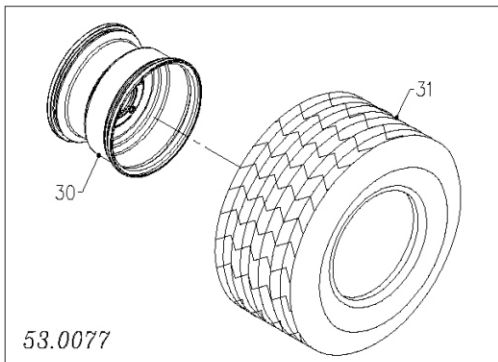
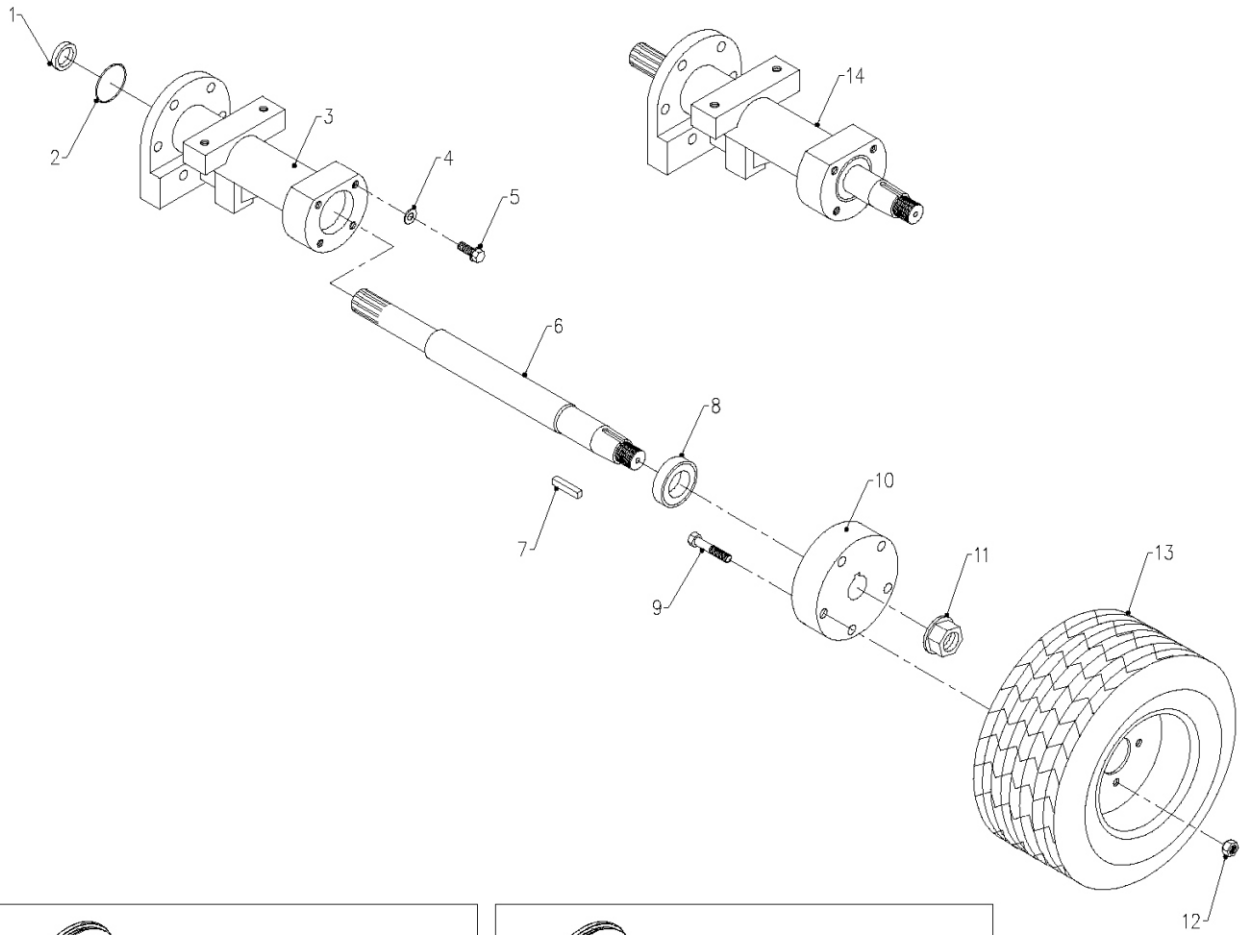
HYDRAULICS & AXLES

AXLE & TIRE (Serial # 1001-1138)

REF.	PART NO.	DESCRIPTION	QTY.
1	89.0049	SEAL, OIL - AXLE PEERLESS 2558.	4
2	51.0022	SPACER, AXLE FOR HOUSING ASSY	4
3	51.0051	HOUSING, AXLE 30MM 2600 SERIES	4
4	94.06	WASHER, FLAT 3/8 USS	16
5	99.SF0606	BOLT, SF 3/8-16 USS X 3/4.	16
6	50.0161	SUB. 70.4042 CONVERSION KIT	4
7	85.K0512	KEY, 5/16 X 1 1/2.	4
8	55.0047	BEARING, 35 MM ID X 62 MM.	4
9	99.B0073	WASHER, 1-3/4 X 2-7/16 X 14 GA.	4
10	64.0894	SPACER, HEAVY AXLE 1-5/16" HT	4
11	91.0724	BOLT, 7/16-20 SAE X 3.	20
12	50.0042	HUB, DRIVE AXLE WHEEL VT	4
13	83.P122	BUSHING, 1 3/8" P1	4
14	99.B0075	WASHER, 1/2 ID X 1-5/8 X 1/4TK	4
15	91.0808	BOLT, 1/2-20 SAE X 1	4
16	99.E0044	NUT, LUG 7/16-20 SAE	20
17	53.0077	WHEEL, ASM 22 X 12 X 8 X 5B	4
17	53.0101-L	WHEEL, ASM 21 X 11 X8 X 5B BAR.	2
17	53.0101-R	WHEEL, ASM 21 X 11 X8 X 5B BAR.	2
17	53.0111	WHEEL, ASM 22X11X10X5B	4
30	53.0090	RIM, 8 X 8.5, 5 ON 4.5 BC	1
31	53.0089	TIRE, FIELD 22 X 12 X 8-NO RIM	1
35	53.0090	RIM, 8 X 8.5, 5 ON 4.5 BC	1
36	53.0114	TIRE, BAR 21X11X8 NO RIM	1
40	53.0090	RIM, 8 X 8.5, 5 ON 4.5 BC	1
41	53.0114	TIRE, BAR 21X11X8 NO RIM	1
45	53.0113	RIM, 10 X 8 - 5 ON 4.5 BC	1
46	53.0112	TIRE, TURFMASTR 22X11X10 NO RIM	1
50	53.0142	TUBE, INNER 22 X 12 X 8	4

HYDRAULICS & AXLES

ILLUSTRATED DRAWING AXLE & TIRE (Serial # 1139 -)



HYDRAULICS & AXLES

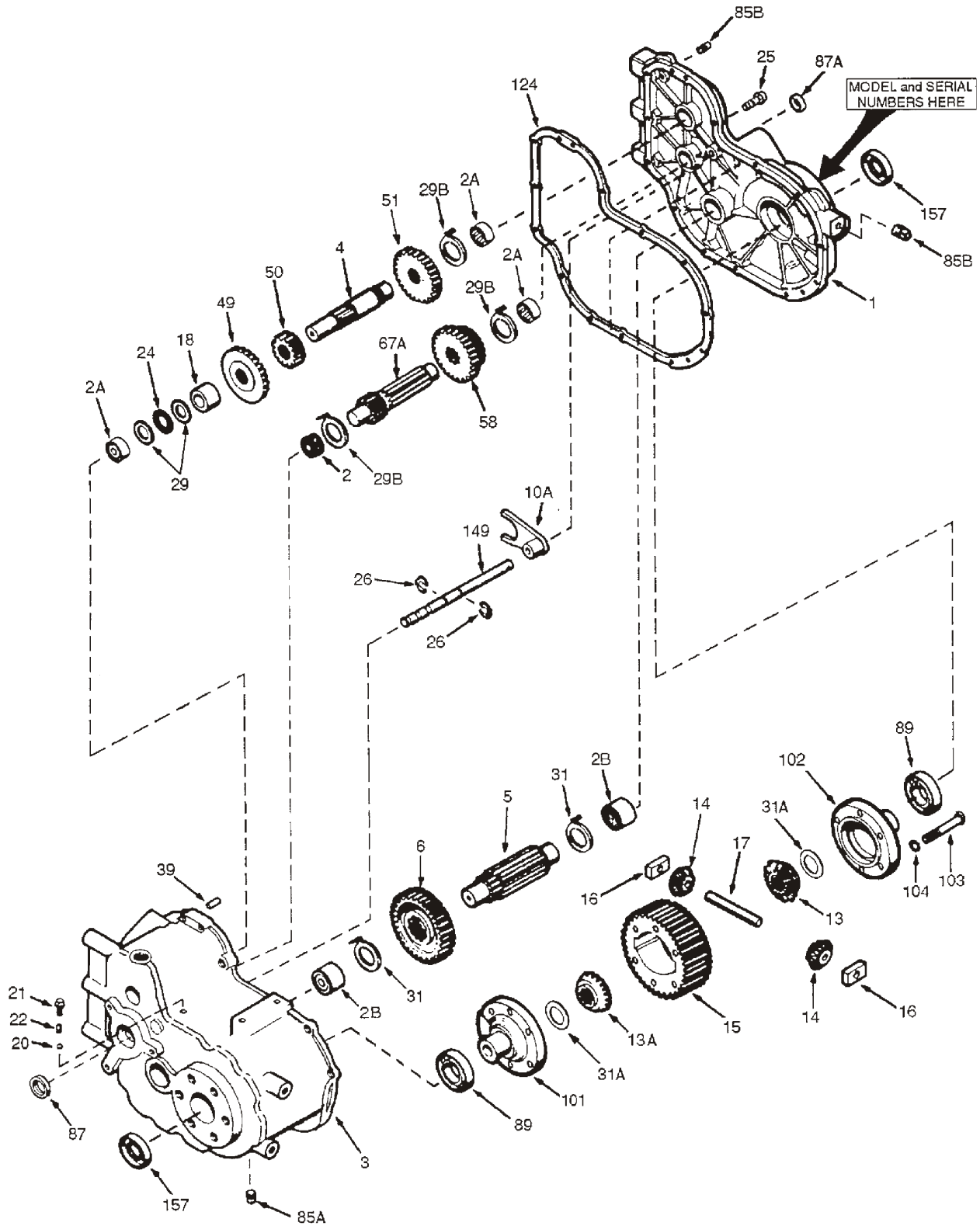
AXLE & TIRE (Serial # 1139 -)

REF.	PART NO.	DESCRIPTION	QTY.
1	89.0049	SEAL, OIL - AXLE PEERLESS 2558.	4
2	26.0018	O-RING, 2-1/8 X 2-5/16 X 3/32	4
3	51.0056-1	HOUSING, AXLE 72 MM FINISHED	4
4	94.06	WASHER, FLAT 3/8 USS	16
5	99.SF0606	BOLT, SF 3/8-16 USS X 3/4.	16
6	51.0056-2	SHAFT, AXLE 35 MM STUB TAPER.	4
7	85.K0510	KEY, 5/16 X 1 1/4.	4
8	55.0048	BEARING, 35 MM X 72 MM X 17 MM	4
9	91.0720	BOLT, 7/16-20 SAE X 2 1/2	20
10	50.0164	HUB, 5-BOLT STUB TAPER	4
11	99.E0067	NUT, LOCK 1"-14 SAE FLANGE	4
12	99.E0044	NUT, LUG 7/16-20 SAE	20
13	53.0077	WHEEL, ASM 22 X 12 X 8 X 5B	4
13	53.0101-L	WHEEL, ASM 21 X 11 X 8 X 5B BAR.	2
13	53.0101-R	WHEEL, ASM 21 X 11 X 8 X 5B BAR.	2
13	53.0111	WHEEL, ASM 22X11X10X5B	4
14	51.0056*	AXLE, ASM. STUB TAPER*	4
30	53.0090	RIM, 8 X 8.5, 5 ON 4.5 BC	1
31	53.0089	TIRE, FIELD 22 X 12 X 8-NO RIM	1
35	53.0090	RIM, 8 X 8.5, 5 ON 4.5 BC	1
36	53.0114	TIRE, BAR 21X11X8 NO RIM	1
40	53.0090	RIM, 8 X 8.5, 5 ON 4.5 BC	1
41	53.0114	TIRE, BAR 21X11X8 NO RIM	1
45	53.0113	RIM, 10 X 8 - 5 ON 4.5 BC	1
46	53.0112	TIRE, TURFMASTR 22X11X10 NO RIM	1
50	53.0142	TUBE, INNER 22 X 12 X 8	4

*Axle assembly includes references 3, 6, & 8.

HYDRAULICS & AXLES

ILLUSTRATED DRAWING MODEL 2600 TRANSAXLE



HYDRAULICS & AXLES

MODEL 2600 TRANSAXLE

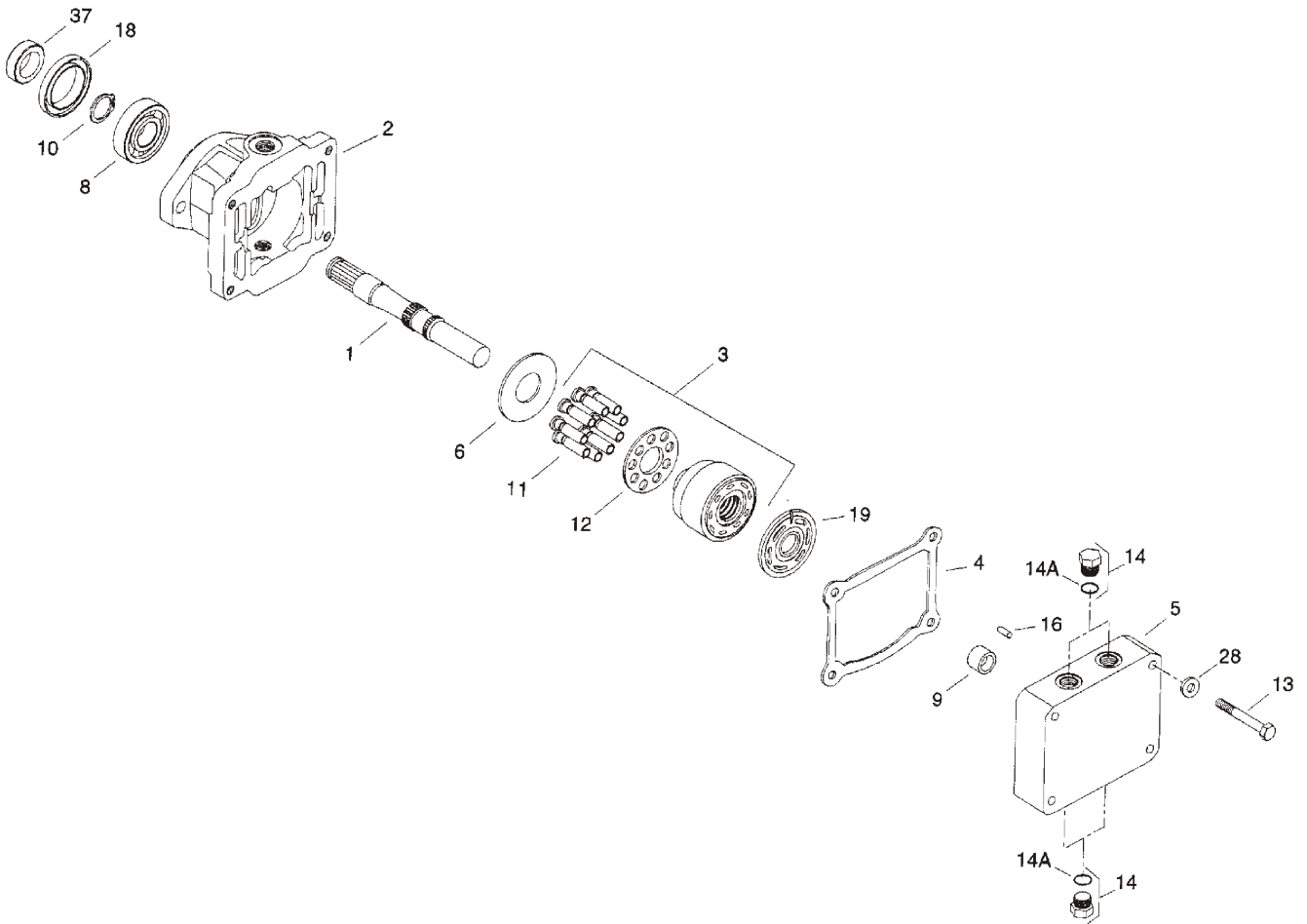
REF.	PART NO.	DESCRIPTION	QTY.
	51.0020	TRANSAXLE, PEERLESS	1
1	51.0026	COVER, 2600 TRANSAXLE (Includes 2A & 2B)*	1
2	55.0037	BEARING, 2600 NEEDLE 1.000 ID	1
2A	55.0038	BEARING, 2600 NEEDLE 1.000 ID	3
2B	55.0041	BEARING, 2600 NEEDLE 1.250 ID	2
3	51.0025	CASE, 2600 TRANSAXLE	1
10A	51.0030	FORK, 2600 SHIFT	1
13	51.0031	GEAR, 2600 BEVEL	1
13A	51.0031	GEAR, 2600 BEVEL	1
14	51.0033	PINION, 2600 BEVEL	2
24	51.0085	BEARING, THRUST 1.002 ID X .0781W	1
29	51.0084	WASHER, THRUST 1.002 ID X .061W	2
29B	51.0032	WASHER, 2600 THRUST	3
31	51.0082	WASHER, THRUST 1.252 ID x .058W	2
31A	51.0028	WASHER, 2600 THRUST	2
39	51.0029	PIN, DOWEL 2600 5/16 X 3/4	2
87	89.0046	SEAL, BRAKE SHAFT OIL	1
87A	89.0047	SEAL, SHIFTER ROD OIL	1
89	55.0039	BEARING, 2600 NEEDLE 1.5743 ID	1
124	89.0051	GASKET, CASE	1
149	51.0027	ROD, 2600 SHIFT (HIGH/LOW)	1
157	89.0049	SEAL, OIL - AXLE PEERLESS	2

Listed items are stocked. Check for availability of unlisted parts.

*#2 brake shaft bearing must be ordered separately.

HYDRAULICS & AXLES

ILLUSTRATED DRAWING MODEL 15 MOTOR



HYDRAULICS & AXLES

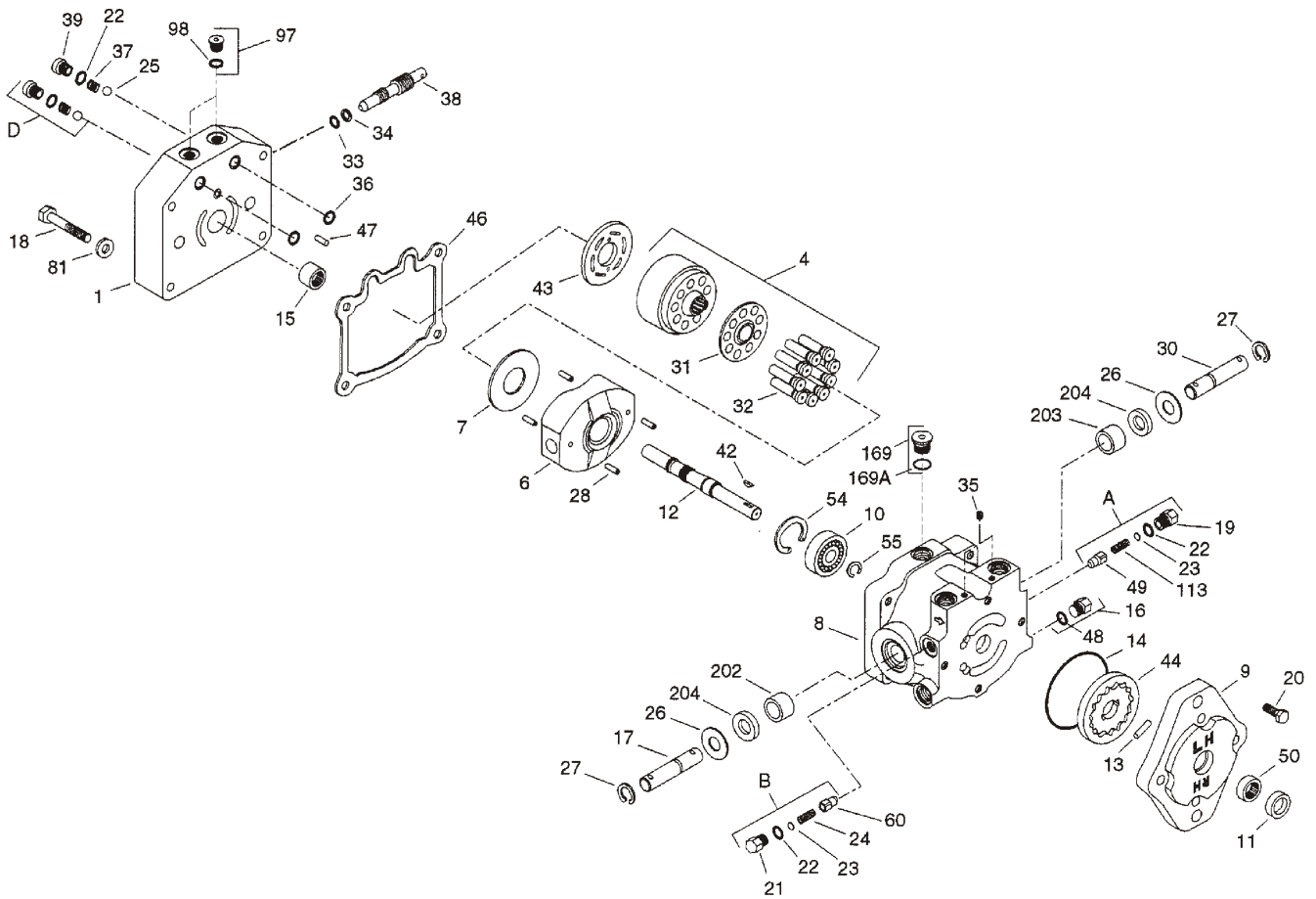
MODEL 15 MOTOR

REF.	PART NO.	DESCRIPTION	QTY.
3	21.0099	KIT, CYL BLOCK SUNDSTRAND	1
4	89.0055	GASKET, MOTOR 2 BOLT FLANGE	1
6	21.0019	PLATE, THRUST SUNDSTRAND	1
9	55.0036	BEARING, DU SUNDSTRAND	1
11	21.0099-1	PISTON, CYLINDER BLOCK	9
12	21.0099-2	RETAINER, PISTON CYLINDER BLCK	1
18	89.0062	SEAL, SHAFT-SERIES 15 MOTOR	1
19	21.0088	PLATE, VALVE (MOTOR)	1

Listed items are stocked. Check for availability of unlisted parts.

HYDRAULICS & AXLES

ILLUSTRATED DRAWING MODEL 15 PUMP



Note: Item 8 includes items 202, 203 and 204

HYDRAULICS & AXLES

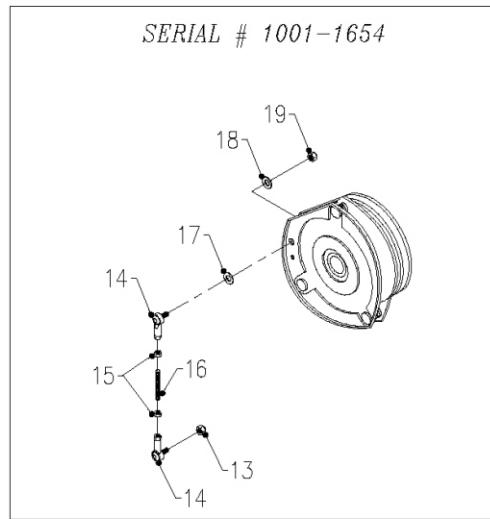
MODEL 15 PUMP

REF.	PART NO.	DESCRIPTION	QTY.
4	21.0099	KIT, CYL BLOCK SUNDSTRAND	1
6	21.0101	SWASHPLATE, SUNDSTRAND	1
7	21.0019	PLATE, THRUST SUNDSTRAND	1
9	21.0031	HOUSING, CHARGE PUMP	1
10	55.0034	BEARING, BALL SUNDSTRAND	1
11	89.0052-1	SEAL, 3/4 SFT X 1 1/4 VITON	1
12	21.0028	SHAFT, PUMP 15 PV	1
13	21.0073	PIN, STRAIGHT 1/8 X 1 SERIES15	1
14	26.0008	O-RING, .103 X 3.487 SERIES 15	1
15	55.0025	BEARING, ROLLER .6875 X .937	1
17	21.0076	SHAFT, TRUNNION SUNDSTRAND	1
19	21.0089	PLUG, RELIEF VALVE SUNDSTRAND	1
22	26.0013	O-RING, .072 X .414 SUNDSTRAND	1
23	21.0093	SHIM, .020 X 5/16 OD, HI-PRESS	A/R
23	21.0094	SHIM, .010 X 5/16 OD, HI-PRESS	A/R
23	21.0106	SHIM, .005 X 5/16 OD, HI-PRESS	A/R
26	21.0049	WASHER, .699 X 1.375 X .059	2
27	04.0014	SNAP RING, EXT. 11/16 SFT.	2
28	02.CP0605C	COTTER PIN, 3/16 X 5/8 COILED	1
30	21.0075	SHAFT, TRUNNION-CTRL-SERIES 15	1
31	21.0099-2	RETAINER, PISTON CYLINDER BLCK	1
32	21.0099-1	PISTON, CYLINDER BLOCK	9
36	26.0009	O-RING, .070 X .489 ID 90D	2
42	85.W0305	KEY, WOODRUFF 3/16" X 5/8"	1
43	21.0026	PLATE, VALVE (LH) PUMP	1
44	21.0027	GEROTOR, ASM PUMP	1
46	89.0054	GASKET, PUMP SUNDSTR.SERIES 15	1
50	55.0024	BEARING, NEEDLE 3/4X1 SERIES15	1
98	26.0035	O-RING, -904 FOR MORB-04 VITON	2
113	21.0087	SPRING, IMPLEMENT RELIEF	1
202	85.B0067	BUSHING, BEARING JOURNAL	1
204	89.0053-1	SEAL, .687 SFT X 1.19 VITON	1

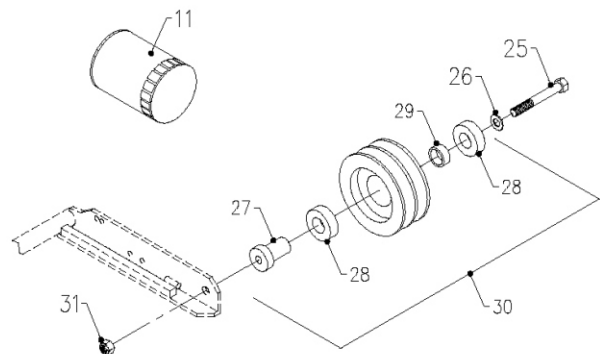
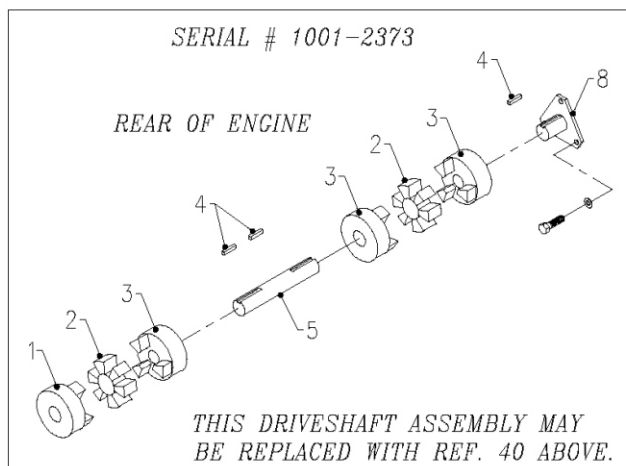
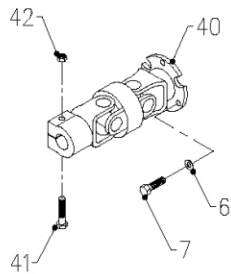
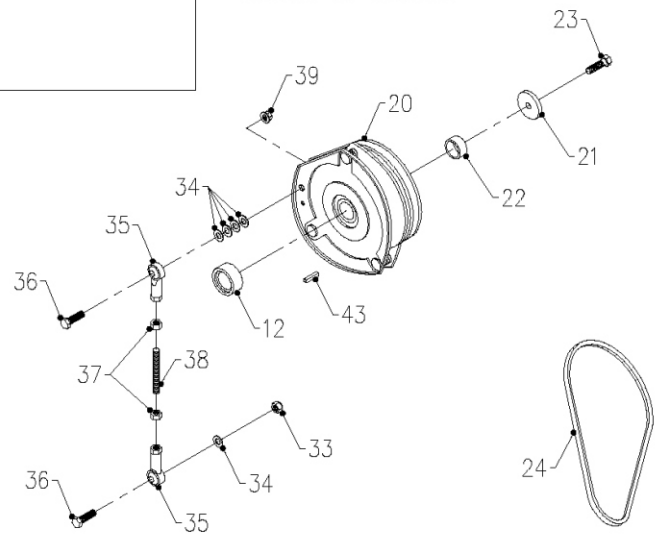
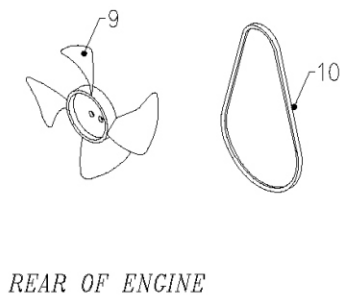
Listed items are stocked. Check for availability of unlisted parts.

ENGINE/ENGINE DRIVES

ILLUSTRATED DRAWING KAWASAKI ENGINE & DRIVE



FRONT OF ENGINE



ENGINE/ENGINE DRIVES

KAWASAKI ENGINE & DRIVE

REF.	PART NO.	DESCRIPTION	QTY.
1	87.0194	COUPLER, 3 JAW 3/4" (Serial # 1001-2373)	1
2	87.0192	INSERT, COUPLING FLEX URETHANE (Serial # 1001-2373)	2
3	87.0193	COUPLER, 3 JAW 1" ID (Serial # 1001-2373)	3
4	85.K0408	KEY, 1/4 X 1	3
5	80.0315	SHAFT, COUPLING-KAWASAKI KT (Serial # 1001-2373)	1
6	96.05	WASHER, LOCK 5/16	3
7	99.M0009	BOLT, M8 X 1.25 P X 25 MM LONG	3
8	80.0313	SHAFT, TGP FOR PUMP DR FLANGE (Serial # 1001-2373)	1
9	13.0189	FAN, KAWASAKI 27HP 11"	1
	13.0200	FAN, REVERSE FLOW 12" (for cold weather only)	1
10	81.0132	BELT, FAN KAWASAKI	1
11	13.0063	FILTER, ENGINE OIL KAWASAKI	1
12	64.1172	SPACER, CLUTCH INNER	1
13	99.A04NFN	LOCKNUT, NYLON 1/4-28	1
14	43.004S	ROD END, 1/4 SPHERICAL W/STUD	2
15	93.04	NUT, 1/4-28 SAE	2
16	99.J0428NFZ	THREADED ROD, 1/4 SAE X 3 1/2	1
17	95.04	WASHER, FLAT 1/4 SAE	1
18	96.04	WASHER, LOCK 1/4	1
19	99.SF04NF	NUT, SF 1/4-28 SAE	1
20	37.0018	CLUTCH, ELECTRIC OGURA	1
21	99.B0065	WASHER, 1/4X1-3/4 X 13/32 HOLE	1
22	64.1079	BUSHING, 1-1/8 X 1-3/4 X 9/16	1
23	99.M0017	BOLT, M10 X 1.5 X 35 MM	1
24	81.B038	BELT, B38	1
25	90.0824	BOLT, 1/2-13 USS X 3	1
26	94.08	WASHER, FLAT 1/2 USS	1
27	86.0040	BUSHING, PTO PULLEY	1
28	55.0030	BEARING, PULLEY 1" X 2"	2
29	85.B0069	BUSHING, 1.03 ID X 1.25 OD X .5	1
30	83.0032	PULLEY, DOUBLE IDLER ASM	1
31	99.A08	LOCKNUT, STOVER 1/2-13 USS	1
32	13.0170	ENGINE, KAWASAKI 27 HP (not shown)	1
33	99.A06N	LOCKNUT, NYLON 3/8-16	1
34	95.06	WASHER, FLAT 3/8 SAE	5
35	43.006	ROD END, 3/8 SPHERICAL	2
36	90.0610	BOLT, 3/8-16 USS X 1 1/4	2
37	93.06	NUT, 3/8-24 SAE	2
38	99.J0624NFZ	THREADED ROD, 3/8 SAE X 3"	1
39	99.SF06	NUT, SF 3/8-16 USS	1
40	87.0213	U-JOINT, FLNG X .75"B 10-1/16L (Serial # 2374 -)	1
41	90.0614	BOLT, 3/8-16 USS X 1 3/4	1
42	99.A06	LOCKNUT, STOVER 3/8-16 USS	1
43	85.K0412	KEY, 1/4 X 1-1/2	1

ENGINE/ENGINE DRIVES

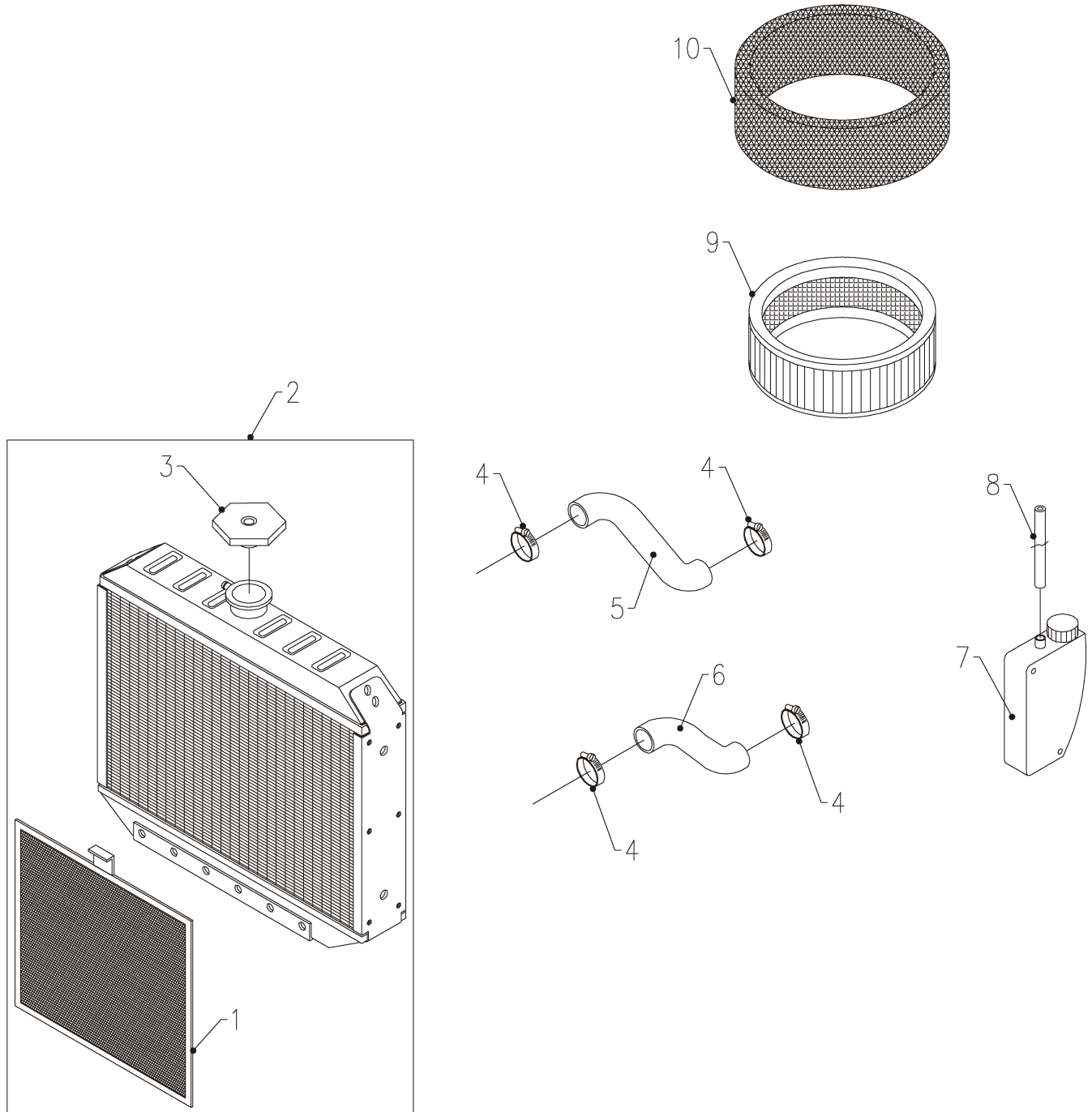
KAWASAKI ENGINE MOUNT & EXHAUST

REF.	PART NO.	DESCRIPTION	QTY.
1	13.0115	TUBE, EXHAUST PIPE 6-17/32" (Serial # 1001-1262)	1
2	99.SF05	NUT, SF 5/16-18 USS	8
3	11.0039	CLAMP, EXH. 5/16 X 1 1/2 ASM (Serial # 1001-1262).	1
4	13.0171*	MUFFLER, W/HEAT SHIELD&PIPE	1
5	99.SF06	NUT, SF 3/8-16 USS	7
6	99.M0008	NUT, M8 X 1.25 MMP ZP.	4
7	96.05	WASHER, LOCK 5/16	4
8	64.0943	MANIFOLD, EXHAUST/KAW 27HP	1
9	62.0905	MOUNT, ENGINE-KAWASAKI KT	1
10	96.06	WASHER, LOCK 3/8	4
11	99.M0012	BOLT, M10 X 1.5 X 25 MM	4
12	99.SF0608	BOLT, SF 3/8-16 USS X 1	7
13	99.SF0506	BOLT, SF 5/16-18 USS X 3/4	4
14	64.0949	SUPPORT, MUFFLER MOUNT-SHORT	1
15	90.0508	BOLT, 5/16-18 USS X 1	4
16	25.5502-04-04	FITTING, 90 MFE 1/4 X 1/4	1
17	22.0027	HOSE, ASM X 8" 3/8 PLOCK	1
18	99.SF04	NUT, SF 1/4-20 USS	2
19	99.SF0406-1	BOLT, SF 1/4-20 X 3/4 W/RUBBER	2
20	64.0918	BRACKET, OIL DRAIN KT	1
21	25.2700-06-06LN	FITTING, BULKHEAD 3/8 W/LOCNUT.	1
22	25.304-C-06	FITTING, CAP 3/8 #6 JIC	1
23	13.0197	GASKET, EXHAUST KAW 27HP.	2
24	13.0173	GASKET, EXHAUST/MUFFLER VANG	1
25	14.0015	ADAPTER, ENG OIL DRAIN PLUG	1

*13.0171 muffler was redesigned with the extension built in.

ENGINE/ENGINE DRIVES

ILLUSTRATED DRAWING KAWASAKI COOLING & AIR



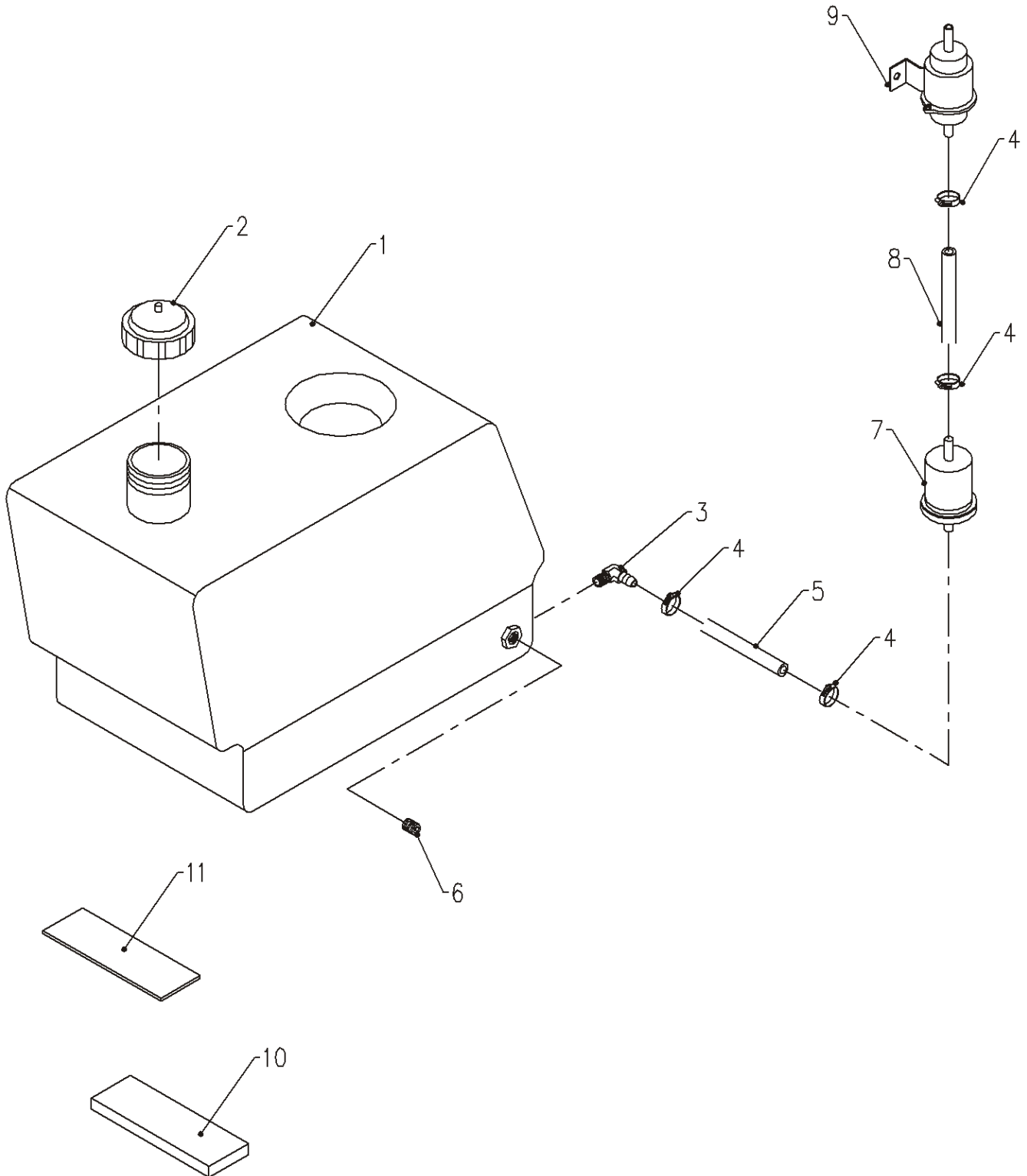
ENGINE/ENGINE DRIVES

KAWASAKI COOLING & AIR

REF.	PART NO.	DESCRIPTION	QTY.
1	47.0205	SCREEN, RADIATOR KAW 27HP	1
2	47.0206	RADIATOR, ASM KAW 27HP (Includes Screen)	1
3	47.0160	CAP, RADIATOR KAWASAKI	1
4	11.0052	CLAMP, HOSE SS 13/16 X 1-1/2	4
5	13.0188	HOSE, RADIATOR UPPER KAW 27HP	1
6	13.0187	HOSE, RADIATOR LOWER KAW 27HP	1
7	47.0207	TANK, COOLANT RECOVER KAW 27HP	1
8	27.A04-15IN	HOSE, NEOP BLACK 1/4 X 7/16 X 15"	1
9	13.0193	FILTER, AIR ELEMENT INNER	1
10	13.0192	FILTER, AIR ELEMENT OUTER	1
11	47.0277	CAP, COOLANT RECOVERY TANK KAW	1

ENGINE/ENGINE DRIVES

ILLUSTRATED DRAWING KAWASAKI FUEL SYSTEM



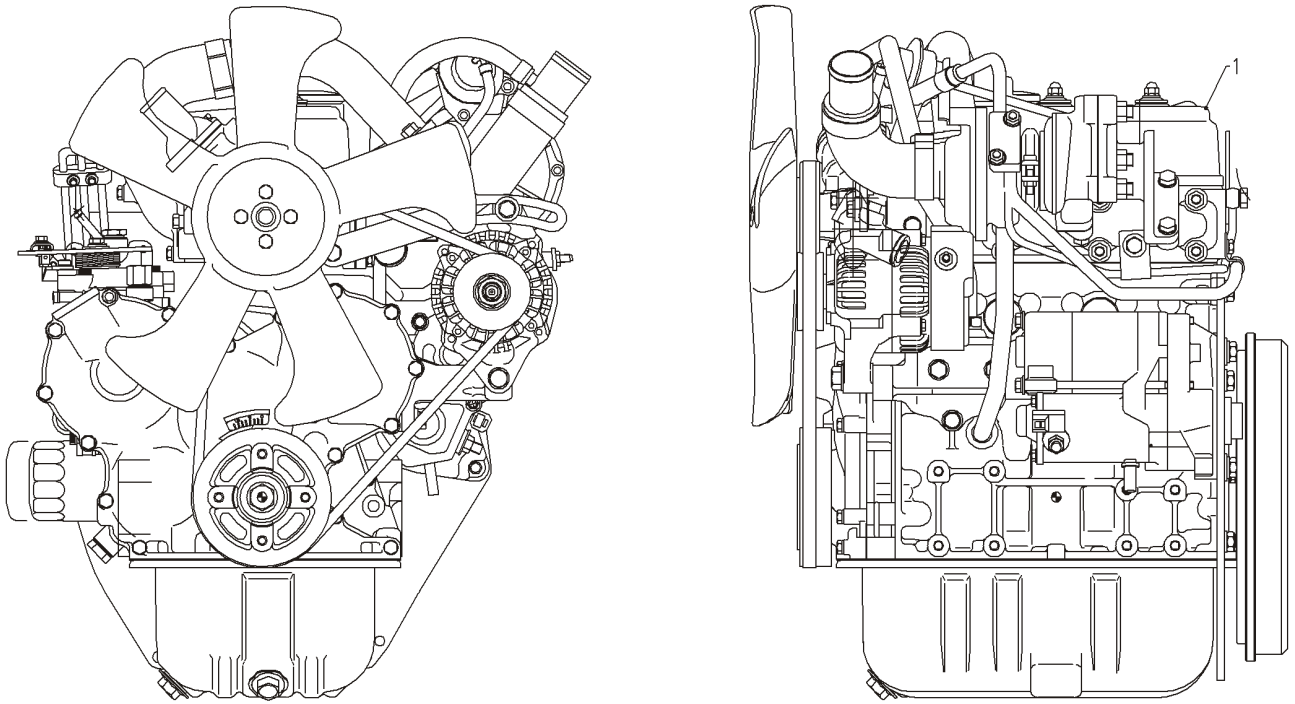
ENGINE/ENGINE DRIVES

KAWASAKI FUEL SYSTEM

REF.	PART NO.	DESCRIPTION	QTY.
1	47.0124	TANK, FUEL 7 1/4 GAL	1
2	47.0144	CAP, GAS 3-1/2"	1
3	29.BF05MP0290	FITTING B. 5/16 BRB 1/8 NPT 90	1
4	11.0038	CLAMP, HOSE S/S 7/32 - 5/8	4
5	27.F05-71IN	HOSE, FUEL LINE X 5/16 /FT X 71"	1
6	29.P02G	PIPE, PLUG 1/8 GALV SQ ZP	1
7	13.0132	FILTER, FUEL INLINE KAW 5/16	1
8	27.F05-3IN	HOSE, FUEL LINE X 5/16 /FT X 3"	1
9	13.0077	PUMP, FUEL KAW - X	1
10	05.0074	PAD, TANK/FRAME ISOLATOR	2
11	44.0193	ISOLATOR, TANK/FRAME	A/R

ENGINE/ENGINE DRIVES

ILLUSTRATED DRAWING VANGUARD ENGINE



INDIVIDUAL ENGINE COMPONENTS ARE NOT SHOWN

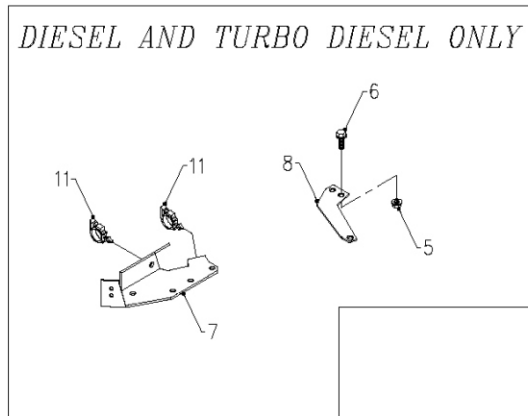
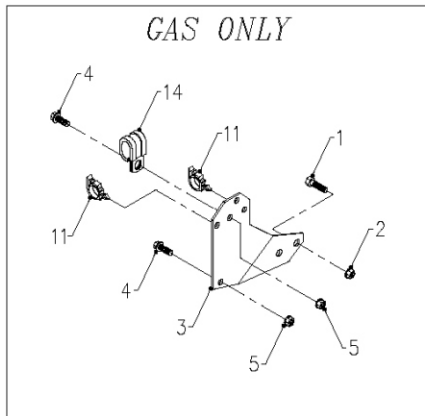
ENGINE/ENGINE DRIVES

VANGUARD ENGINE

REF.	PART NO.	DESCRIPTION	QTY.
1	13.0126	ENGINE, VANG 26.5 HP LIQ COOL (4226)	1
1	13.0125	ENGINE, VANG 31 HP LIQ COOL (4231)	1
1	13.0168	ENGINE, VANG TURBO 31HP DSL (4231DT)	1
2	13.0154	FAN, VANGUARD 4226, 4231	1
2	13.0194	FAN, VANG TURBO DIESEL 4231DT	1
2	13.0200	FAN, REVERSE FLOW 4226, 4231	1
2	13.0208	FAN, PUSHER 330 MM 4231DT	1
3	81.0133	BELT, FAN VANG 4226, 4231, 4231DT	1
4	13.0057	FILTER, ENGINE OIL-VANGUARD 4226, 4231, 4231DT	1
5	13.821073	SEAL, OIL PTO DIESEL 4226, 4231, 4231DT	1
6	13.821071	SEAL, MAG OIL 4226, 4231, 4231DT	1
7	13.821069	PLUG, CAMSHAFT 4226, 4231, 4231DT	1
8	13.0163	GASKET, MANIFOLD 4226, 4231 (before date code 99080200)	1
8	13.820817	GASKET, EXHAUST MANIFOLD 4231DT (4226, 4231 after date code 9808100)	1
9	13.820137	GASKET, SUMP 4226, 4231, 4231DT	1
10	13.820093	GASKET, THERMOSTAT 4226, 4231, 4231DT	1
11	13.825212	GASKET SET, ENGINE OVERHAUL 4226 (before date code 99010100)	1
11	13.825380	GASKET SET, ENGINE OVERHAUL 4226 (after date code 98123100)	1
11	13.825378	GASKET SET, ENGINE OVERHAUL 4231 (after date code 98123100)	1
11	13.825527	GASKET SET 4231DT	1
12	13.820351	GASKET, HEAD 4226 (before date code 99010100)	1
12	13.820660	GASKET, HEAD 4226 (after date code 98123100)	1
12	13.820648	GASKET, HEAD 4231	1
12	13.820930	GASKET, HEAD 4231DT	1
13	13.0158	GASKET SET, HEAD 4226 (before date code 99010100)	1
13	13.825381	GASKET SET, VALVE 4226 (after date code 98123100)	1
13	13.825379	GASKET SET, VALVE 4231	1
13	13.825528	GASKET, VALVE SET 4231DT	1
14	13.820150	GASKET, VALVE COVER 4226, 4231, 4231DT	1
15	13.0067	GLOW PLUG, VANGUARD DIESEL 4226, 4231DT	3
16	13.821135	SWITCH, OIL PRESSURE 4226, 4231DT	1
17	13.0069	SENDING UNIT, OIL PRESSURE-VAN 4231	1
18	13.820208	SWITCH, WATER TEMP 4226, 4231, 4231DT	1
19	13.0167	ALTERNATOR, VANGUARD 4226, 4231	1
19	13.825524	ALTERNATOR, 40 AMP 4231DT	1
20	13.825388	REGULATOR, 40 AMP 4226, 4231, 4231DT	1
21	13.825700	STARTER, 1.2 KW (Green Label) 4226, 4231DT	1
21	13.825083	STARTER, 1.0 KW (Blue Label) 4226, 4231DT	1
21	13.825095	STARTER, 8 KW (Red Label) 4231	1
22	13.825406	STARTER, BENDIX 1.2 KW (Green Label) 4226, 4231DT	1
22	13.820745	STARTER, DRIVE 1.0KW (Blue Label) 4226, 4231DT	1
22	13.820789	STARTER, BENDIX 8 KW (Red Label) 4231	1
23	13.825178	INJECTOR 4226, 4231DT	3
24	13.0160	THERMOSTAT, & GASKET VANGUARD 4226, 4231, 4231DT	1
25	13.825265	PUMP, WATER 4226	1
25	13.825275	PUMP, WATER 4231	1
25	13.825522	PUMP, WATER 4231DT	1
26	13.0165	CAP, OIL FILL VANGUARD 4226, 4231, 4231DT	1
27	13.491055S	PLUG, SPARK 4231	3
28	13.825377	SOLENOID, FUEL 4231	1
29	13.820967	GASKET, TURBO TO EXHAUST MANIFOLD 4231DT	1

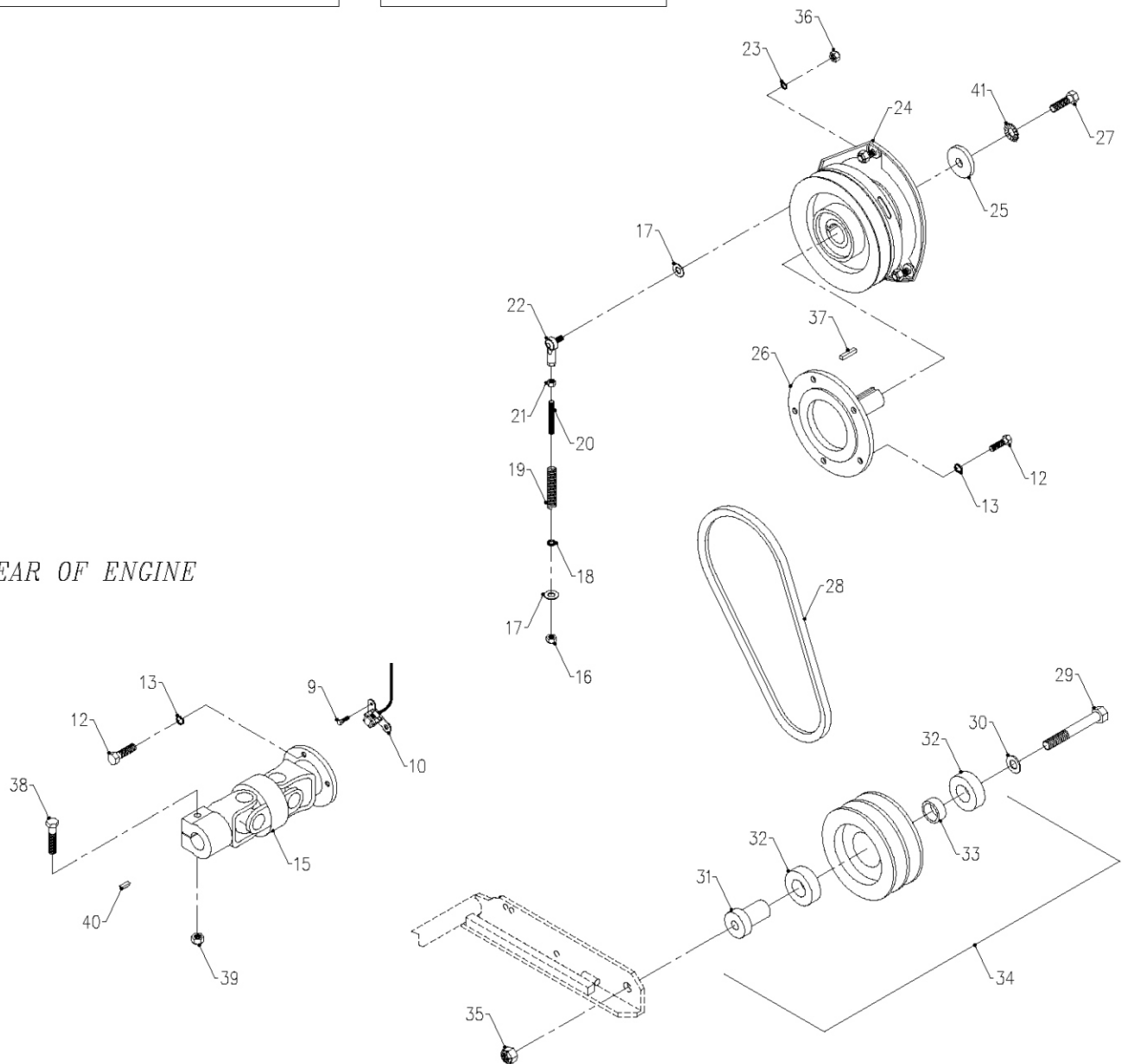
ENGINE/ENGINE DRIVES

ILLUSTRATED DRAWING VANGUARD DRIVE SHAFT & PTO DRIVE (Serial # 1001-1654)



FRONT OF ENGINE

REAR OF ENGINE



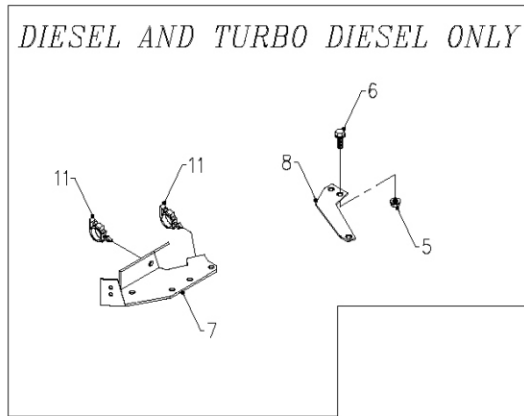
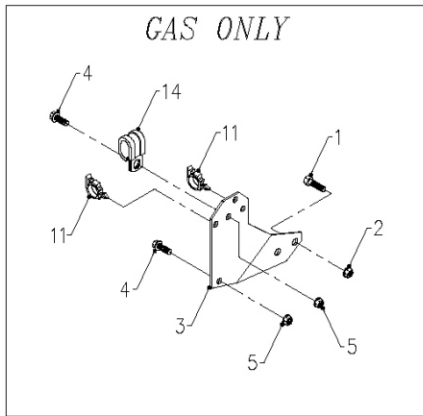
ENGINE/ENGINE DRIVES

VANGUARD DRIVE SHAFT & PTO DRIVE (Serial # 1001-1654)

REF.	PART NO.	DESCRIPTION	QTY.
1	99.SF0506	BOLT, SF 5/16-18 USS X 3/4	2
2	99.SF0506	BOLT, SF 5/16-18 USS X 3/4	2
3	64.0929	MOUNT, ELECTRONIC CONTROL BOX	1
4	99.SF0406	BOLT, SF 1/4-20 X 3/4	2
5	99.SF0406	BOLT, SF 1/4-20 X 3/4	4
6	99.SF0404	BOLT, SF 1/4-20 X 1/2	2
7	64.0948	MOUNT, THROTTLE CABLE/DSL	1
8	40.0300	LEVER, THROTTLE BAR/DSL VAN	1
9	99.M0007	MACHINE SCREW M4 X .7 X 12	1
10	13.0162	TRIGGER, IGNITION	1
11	30.0136	CLAMP, LOOM 1/2 ROSEBUD MOUNT	2
12	99.M0009	BOLT, M8 X 1.25 P X 25 MM LONG	9
13	96.05	WASHER, LOCK 5/16	9
14	11.0046	CLAMP, CUSHIONED METAL 1/2"	1
15	87.0191	U-JOINT, 6 R DOUBLE CENTER	1
16	99.A04NFN	LOCKNUT, NYLON 1/4-28	1
17	95.04	WASHER, FLAT 1/4 SAE	3
18	05.0047	GROMMET, 5/16ID,13/16OD,5/16TK	1
19	41.0061	SPRING, COMP 3/8 X 4	1
20	99.J0428NFZ	THREADED ROD,1/4 SAE X 3 1/2	1
21	93.04	NUT, 1/4-28 SAE	1
22	43.004S	ROD END, 1/4 SPHERICAL W/STUD	1
23	96.04	WASHER, LOCK 1/4	1
24	37.0018	CLUTCH, ELECTRIC OGURA	1
25	99.B0064	WASHER, 1/4 X 1.75 X .531 HOLE	1
26	13.0139	STUB SHAFT, CLUTCH KUB/VANG	1
27	91.0812	BOLT, 1/2-20 SAE X 1 1/2	1
28	81.B038	BELT, B38	1
29	90.0824	BOLT, 1/2-13 USS X 3	1
30	94.08	WASHER, FLAT 1/2 USS	1
31	86.0040	BUSHING, PTO PULLEY	1
32	55.0030	BEARING, PULLEY 1" X 2"	2
33	85.B0069	BUSHING, 1.03 ID X 1.25 OD X.5	1
34	83.0032	PULLEY, DOUBLE IDLER ASM	1
35	99.A08	LOCKNUT, STOVER 1/2-13 USS	1
36	99.SF04NF	NUT, SF 1/4-28 SAE	1
37	85.K0412	KEY, 1/4 X 1-1/2	1
38	90.0614	BOLT, 3/8-16 USS X 1 3/4	1
39	99.A06	LOCKNUT, STOVER 3/8-16 USS	1
40	85.W0305	KEY, WOODRUFF 3/16" X 5/8"	1
41	99.G0009	WASHER, STAR-EXTERNAL 1/2	1

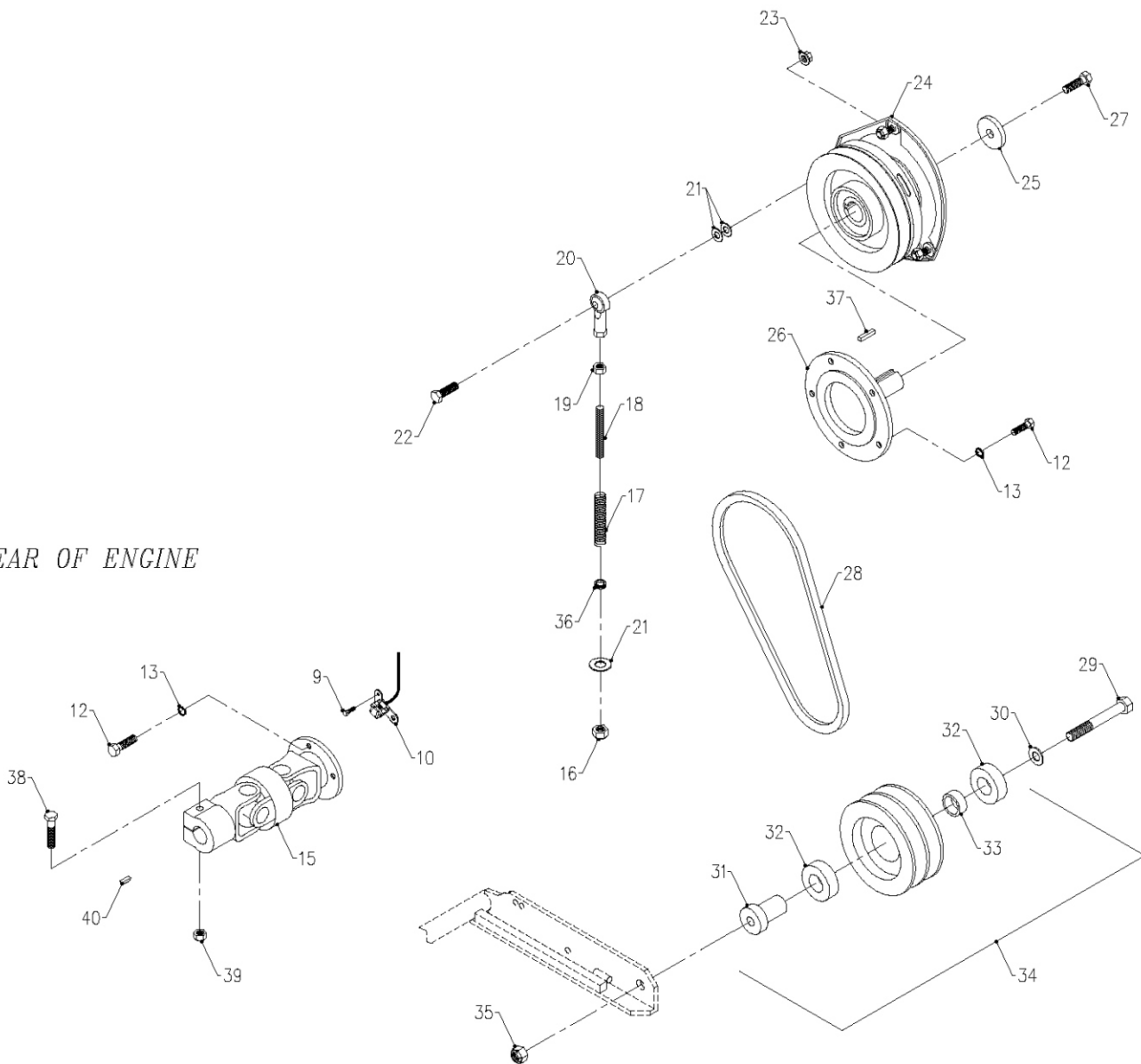
ENGINE/ENGINE DRIVES

ILLUSTRATED DRAWING VANGUARD DRIVE SHAFT & PTO DRIVE (Serial # 1655 -)



FRONT OF ENGINE

REAR OF ENGINE



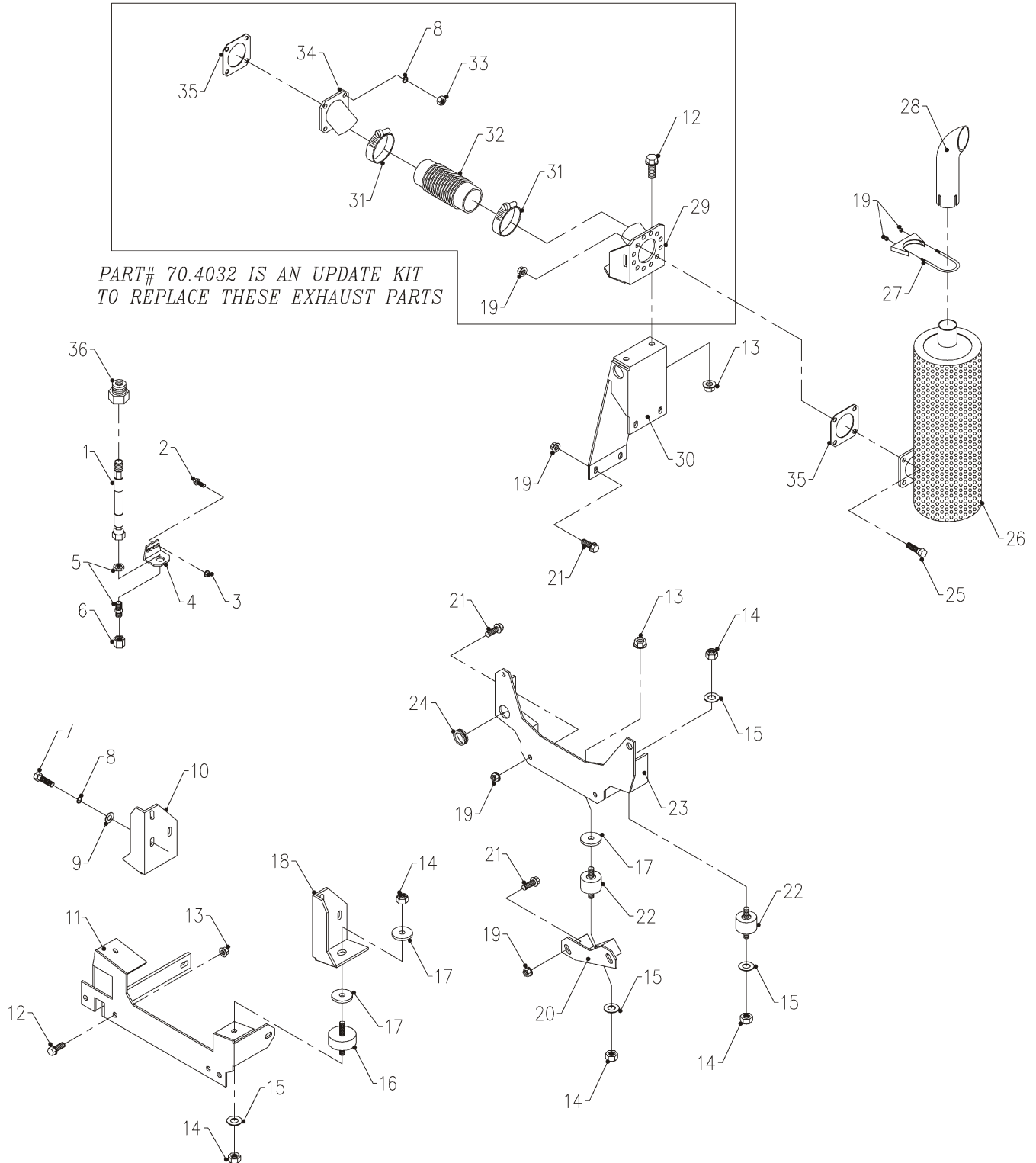
ENGINE/ENGINE DRIVES

VANGUARD DRIVE SHAFT & PTO DRIVE (Serial # 1655 -)

REF.	PART NO.	DESCRIPTION	QTY.
1	99.SF0506	BOLT, SF 5/16-18 USS X 3/4	2
2	99.SF0506	BOLT, SF 5/16-18 USS X 3/4	2
3	64.0929	MOUNT, ELECTRONIC CONTROL BOX	1
4	99.SF0406	BOLT, SF 1/4-20 X 3/4	2
5	99.SF0406	BOLT, SF 1/4-20 X 3/4	4
6	99.SF0404	BOLT, SF 1/4-20 X 1/2	2
7	64.0948	MOUNT, THROTTLE CABLE/DSL	1
8	40.0300	LEVER, THROTTLE BAR/DSL VAN	1
9	99.M0007	MACHINE SCREW M4 X .7 X 12	1
10	13.0162	TRIGGER, IGNITION	1
11	30.0136	CLAMP, LOOM 1/2 ROSEBUD MOUNT	2
12	99.M0009	BOLT, M8 X 1.25 P X 25 MM LONG	9
13	96.05	WASHER, LOCK 5/16	9
14	11.0046	CLAMP, CUSHIONED METAL 1/2"	1
15	87.0191	U-JOINT, 6 R DOUBLE CENTER	1
16	99.A06NFN	LOCKNUT, NYLON 3/8-24 SAE ZP	1
17	41.0041	SPRING, COMP 9/16 X 1-3/8L	1
18	99.J0624NFZ	THREADED ROD, 3/8 SAE X 3"	1
19	93.06	NUT, 3/8-24 SAE	1
20	43.006	ROD END, 3/8 SPHERICAL	1
21	95.06	WASHER, FLAT 3/8 SAE	3
22	90.0610	BOLT, 3/8-16 USS X 1 1/4	1
23	99.SF06	NUT, SF 3/8-16 USS	1
24	37.0018	CLUTCH, ELECTRIC OGURA	1
25	99.B0064	WASHER, 1/4 X 1.75 X .531 HOLE	1
26	13.0139	STUB SHAFT, CLUTCH KUB/VANG	1
27	91.0812	BOLT, 1/2-20 SAE X 1 1/2	1
28	81.B038	BELT, B38	1
29	90.0824	BOLT, 1/2-13 USS X 3	1
30	94.08	WASHER, FLAT 1/2 USS	1
31	86.0040	BUSHING, PTO PULLEY	1
32	55.0030	BEARING, PULLEY 1" X 2"	2
33	85.B0069	BUSHING, 1.03 ID X 1.25 OD X .5	1
34	83.0032	PULLEY, DOUBLE IDLER ASM	1
35	99.A08	LOCKNUT, STOVER 1/2-13 USS	1
36	05.0047	GROMMET, 5/16ID,13/16OD,5/16TK	1
37	85.K0412	KEY, 1/4 X 1-1/2	1
38	90.0614	BOLT, 3/8-16 USS X 1 3/4	1
39	99.A06	LOCKNUT, STOVER 3/8-16 USS	1
40	85.W0305	KEY, WOODRUFF 3/16" X 5/8"	1

ENGINE/ENGINE DRIVES

ILLUSTRATED DRAWING VANGUARD ENGINE MOUNT & EXHAUST (Serial # 1001-1103) (FOR TURBO DIESEL EXHAUST PARTS REFER TO D-19 & 20)



ENGINE/ENGINE DRIVES

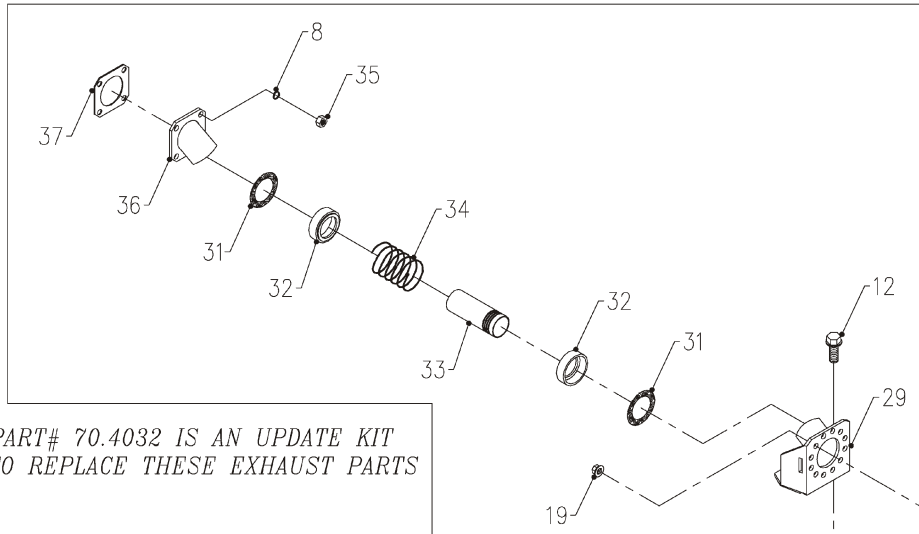
VANGUARD ENGINE MOUNT & EXHAUST (Serial # 1001-1103) (FOR TURBO DIESEL EXHAUST PARTS REFER TO D-19 & 20)

REF.	PART NO.	DESCRIPTION	QTY.
1	22.0027	HOSE, ASM X 8" 3/8 PLOCK	1
2	99.SF0406-1	BOLT, SF 1/4-20 X 3/4 W/RUBBER	2
3	99.SF04	NUT, SF 1/4-20 USS	2
4	64.0918	BRACKET, OIL DRAIN KT	1
5	25.2700-06-06LN	FITTING, BULKHEAD 3/8 W/LOCNUT	1
6	25.304-C-06	FITTING, CAP 3/8 #6 JIC	1
7	99.M0009	BOLT, M8 X 1.25 P X 25 MM LONG	6
8	96.05	WASHER, LOCK 5/16	10
9	95.05	WASHER, FLAT 5/16 SAE	6
10	64.0934	LEG, REAR ENGINE VANG. LEFT KT	1
11	62.0907	CROSS MEMBER, REAR-VANG. KT	1
12	99.SF0606	BOLT, SF 3/8-16 USS X 3/4	7
13	99.SF0606	BOLT, SF 3/8-16 USS X 3/4	8
14	99.A06N	LOCKNUT, NYLON 3/8-16	9
15	95.06	WASHER, FLAT 3/8 SAE	7
16	05.0006	ISOLATOR, 3/8-16 X 2 OD X 3/4	2
17	99.B0076	WASHER, .185 X 13/32ID X 1-5/8	5
18	64.0933	LEG, REAR ENGINE VANG. RT KT	1
19	99.SF05	NUT, SF 5/16-18 USS	13
20	64.0975	MOUNT, LOWER FRONT ISOLATOR	1
21	99.SF0506	BOLT, SF 5/16-18 USS X 3/4	7
22	05.0048	ISOLATOR, 3/8-16 X 1.5 OD X 1	3
23	62.0920	MOUNT, ENGINE-FRT VAN KT 1-1/2	1
24	05.0044	GROMMET, 1 ID, 1-3/8OD, 3/32TK	1
25	90.0508	BOLT, 5/16-18 USS X 1	4
26	13.0171*	MUFFLER, W/HEAT SHIELD&PIPE	1
27	11.0039	CLAMP, EXH. 5/16 X 1 1/2 ASM.	1
28	13.0115	TUBE, EXHAUST PIPE 6-17/32"	1
29	64.1001	MOUNT, MUFFLER/VAN GAS,DSL	1
30	64.0950	SUPPORT, MUFFLER MOUNT-TALL	1
31	11.0059	CLAMP, HOSE 1 - 1-3/4	2
32	13.0169	TUBE, EXHAUST BELLOWS	1
33	99.M0008	NUT, M8 X 1.25 MMP ZP	4
34	64.1003	FLANGE, EXHAUST MOUNT/VAN G,D	1
35	13.0173	GASKET, EXHAUST/MUFFLER VANG	2
36	14.0015	ADAPTER, ENG OIL DRAIN PLUG	1

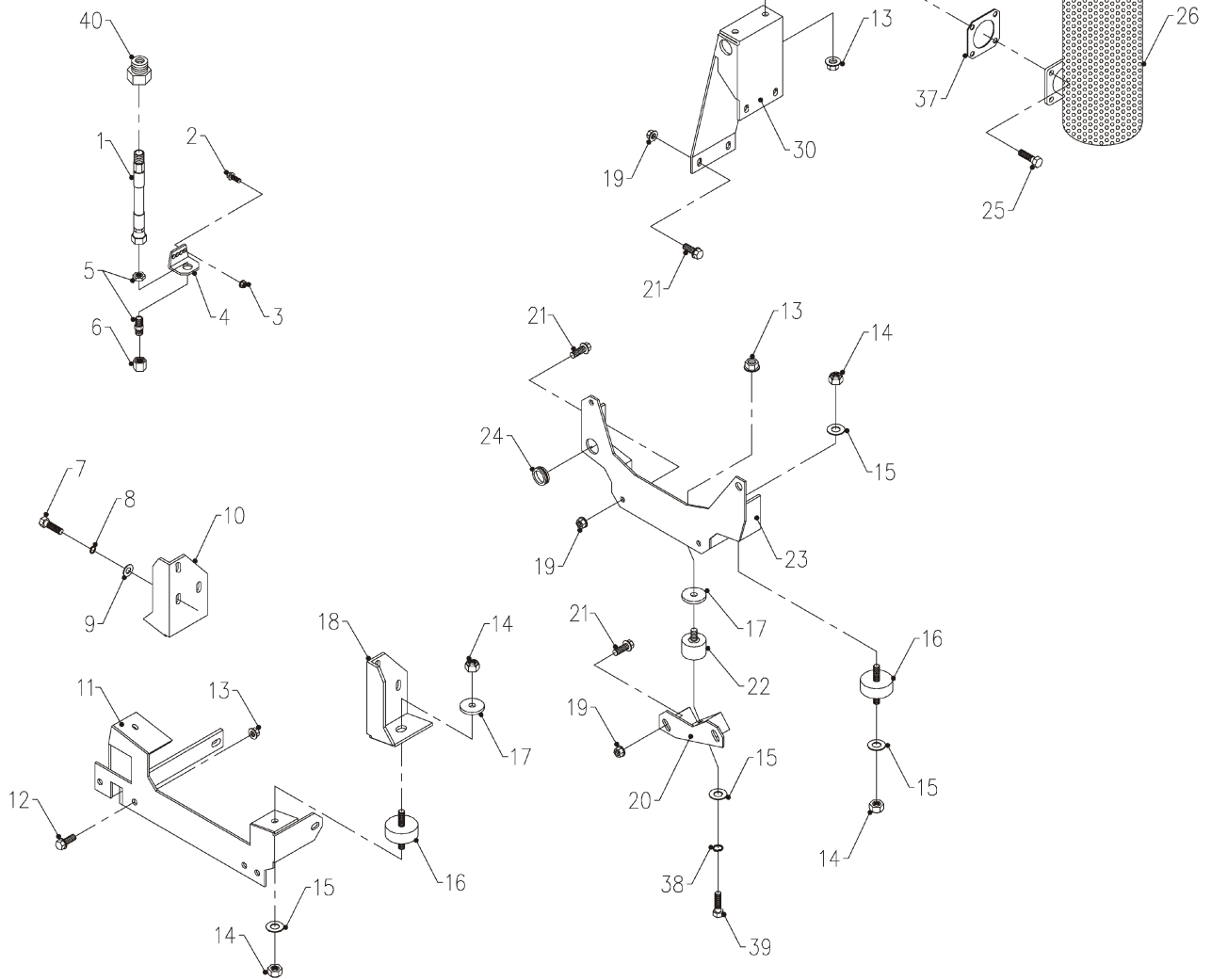
*13.0171 muffler was redesigned with extension built in.

ENGINE/ENGINE DRIVES

ILLUSTRATED DRAWING VANGUARD ENGINE MOUNT & EXHAUST (Serial # 1104-1184) (FOR TURBO DIESEL EXHAUST PARTS REFER TO D-19 & 20)



*PART# 70.4032 IS AN UPDATE KIT
TO REPLACE THESE EXHAUST PARTS*



ENGINE/ENGINE DRIVES

VANGUARD ENGINE MOUNT & EXHAUST (Serial # 1104-1184) (FOR TURBO DIESEL EXHAUST PARTS REFER TO D-19 & 20)

REF.	PART NO.	DESCRIPTION	QTY.
1	22.0027	HOSE, ASM X 8" 3/8 PLOCK	1
2	99.SF0406-1	BOLT, SF 1/4-20 X 3/4 W/RUBBER	2
3	99.SF04	NUT, SF 1/4-20 USS	2
4	64.0918	BRACKET, OIL DRAIN KT	1
5	25.2700-06-06LN	FITTING, BULKHEAD 3/8 W/LOCNUT	1
6	25.304-C-06	FITTING, CAP 3/8 #6 JIC	1
7	99.M0009	BOLT, M8 X 1.25 P X 25 MM LONG	6
8	96.05	WASHER, LOCK 5/16	10
9	95.05	WASHER, FLAT 5/16 SAE	6
10	64.0934	LEG, REAR ENGINE VANG. LEFT KT	1
11	62.0907	CROSS MEMBER, REAR-VANG. KT	1
12	99.SF0606	BOLT, SF 3/8-16 USS X 3/4	7
13	99.SF06	NUT, SF 3/8-16 USS	8
14	99.A06N	LOCKNUT, NYLON 3/8-16	9
15	95.06	WASHER, FLAT 3/8 SAE	7
16	05.0088	ISOLATOR, 3/8-16 X 2.5 OD X 1"	4
17	99.B0076	WASHER, .185 X 13/32ID X 1-5/8	3
18	64.0933	LEG, REAR ENGINE VANG. RT. KT	1
19	99.SF05	NUT, SF 5/16-18 USS	13
20	64.0975	MOUNT, LOWER FRONT ISOLATOR	1
21	99.SF0506	BOLT, SF 5/16-18 USS X 3/4	7
22	05.0059	ISOLATOR, 3/8-16 X 1.5 OD X 1	1
23	62.0936	MOUNT, ENGINE-FRT VAN KT 2-1/2	1
24	05.0044	GROMMET, 1 ID, 1-3/8OD, 3/32TK	1
25	90.0508	BOLT, 5/16-18 USS X 1	4
26	13.0171*	MUFFLER, W/HEAT SHIELD&PIPE	1
27	11.0039	CLAMP, EXH. 5/16 X 1 1/2 ASM.	1
28	13.0115	TUBE, EXHAUST PIPE 6-17/32"	1
29	64.1001	MOUNT, MUFFLER/VAN GAS,DSL	1
30	64.0950	SUPPORT, MUFFLER MOUNT-TALL	1
31	06.0052-6IN	PACKING, 1/4 FIBERGLAS KNITTED X 6"	2
32	14.0018	CONNECTOR, EXHAUST COLLAR	2
33	70.4032	KIT, KT VANG GAS&NAT D EXHAUST	1
34	41.0069	SPRING, EXHAUST HIGH TEMP SS	1
35	99.M0008	NUT, M8 X 1.25 MMP ZP	4
36	64.1003	FLANGE, EXHAUST MOUNT/VAN G,D	1
37	13.0173	GASKET, EXHAUST/MUFFLER VANG	2
38	96.06	WASHER, LOCK 3/8	1
39	90.0606	BOLT, 3/8-16 USS X 3/4	1
40	14.0015	ADAPTER, ENG OIL DRAIN PLUG	1

*13.0171 muffler was redesigned with extension built in.

ENGINE/ENGINE DRIVES

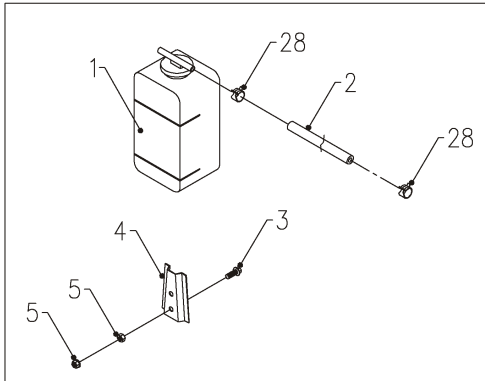
VANGUARD ENGINE MOUNT & EXHAUST (Serial # 1185 -) (ALL TURBO DIESEL EXHAUST PARTS)

REF.	PART NO.	DESCRIPTION	QTY.
1	22.0027	HOSE, ASM X 8" 3/8 PLOCK	1
2	99.SF0406	BOLT, SF 1/4-20 X 3/4	2
3	99.SF04	NUT, SF 1/4-20 USS	2
4	64.0918	BRACKET, OIL DRAIN KT	1
5	25.2700-06-06LN	FITTING, BULKHEAD 3/8 W/LOCNUT	1
6	25.304-C-06	FITTING, CAP 3/8 #6 JIC	1
7	99.M0009	BOLT, M8 X 1.25 P X 25 MM LONG	8
8	96.05	WASHER, LOCK 5/16	12
9	95.05	WASHER, FLAT 5/16 SAE	8
10	64.0934	LEG, REAR ENGINE VANG. LEFT KT	1
11	62.0907	CROSS MEMBER, REAR-VANG. KT	1
12	99.SF0606	BOLT, SF 3/8-16 USS X 3/4	8
13	99.SF06	NUT, SF 3/8-16 USS	11
14	99.A06N	LOCKNUT, NYLON 3/8-16	8
15	95.06	WASHER, FLAT 3/8 SAE	1
16	05.0088	ISOLATOR, 3/8-16 X 2.5 OD X 1"	4
17	99.B0076	WASHER, .185 X 13/32ID X 1-5/8	3
18	64.0933	LEG, REAR ENGINE VANG. RT. KT	1
19	99.SF05	NUT, SF 5/16-18 USS	11
20	64.0975	MOUNT, LOWER FRONT ISOLATOR	1
21	99.SF0506	BOLT, SF 5/16-18 USS X 3/4	7
22	05.0059	ISOLATOR, 3/8-16 X 1.5 OD X 1	1
23	62.0936	MOUNT, ENGINE-FRT VAN KT 2-1/2	1
24	99.SF0608	BOLT, SF 3/8-16 USS X 1	2
25	90.0508	BOLT, 5/16-18 USS X 1	4
26	13.0171	MUFFLER, W/HEAT SHIELD&PIPE	1
27	11.0039	CLAMP, EXH. 5/16 X 1 1/2 ASM.	1
28	13.0115	TUBE, EXHAUST PIPE 6-17/32"	1
29	64.1001	MOUNT, MUFFLER/VAN GAS,DSL	1
30	64.0950	SUPPORT, MUFFLER MOUNT-TALL GAS,DSL	1
31	64.0949	SUPPORT, MUFFLER MOUNT-SHORT	1
32	06.0052-6IN	PACKING, 1/4 FIBERGLAS KNITTED X 6"	2
33	14.0018	CONNECTOR, EXHAUST COLLAR	2
34	14.0022	TUBE, FLOATING EX. 3-3/4 BEAD	1
35	41.0069	SPRING, EXHAUST HIGH TEMP SS	1
36	99.M0008	NUT, M8 X 1.25 MMP ZP	4
37	64.1003	FLANGE, EXHAUST MOUNT/VAN G,D	1
38	64.1039	FLANGE, EXHAUST MOUNT/TURBO	1
39	13.0173	GASKET, EXHAUST/MUFFLER VANG	2
40	96.06	WASHER, LOCK 3/8	1
41	90.0606	BOLT, 3/8-16 USS X 3/4	1
42	64.1038	MOUNT, MUFFLER/TURBO VAN	1
43	32.0022	CABLE, ASM NEG. BAT. BLK 74"	1
44	32.0049	CABLE, FRAME-ENGINE GND STRAP	1
45	99.G0004	WASHER, STAR-EXTERNAL 3/8	1
46	14.0015	ADAPTER, ENG OIL DRAIN PLUG	1

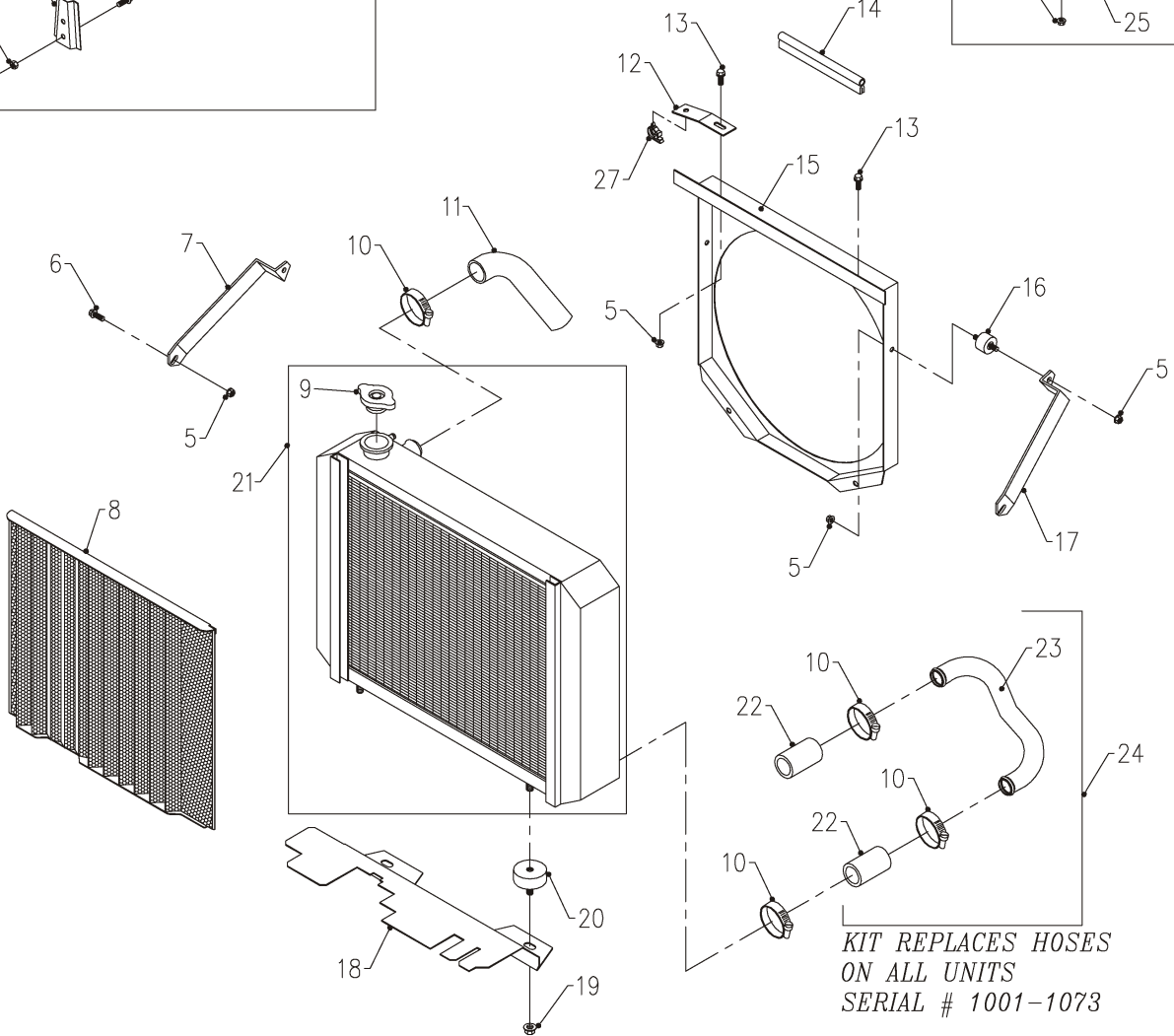
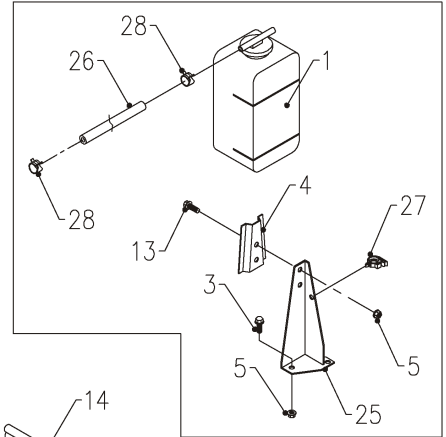
ENGINE/ENGINE DRIVES

ILLUSTRATED DRAWING VANGUARD GAS & NATURAL DIESEL COOLING SYSTEM

SERIAL # 1001-1086



SERIAL # 1087 -



KIT REPLACES HOSES
ON ALL UNITS
SERIAL # 1001-1073

ENGINE/ENGINE DRIVES

VANGUARD GAS & NATURAL DIESEL COOLING SYSTEM

REF.	PART NO.	DESCRIPTION	QTY.
1	47.0187	TANK, COOLANT RECOVERY	1
2	27.A04-11IN	HOSE, NEOP BLACK 1/4 X 7/16 X 11"	1
3	99.SF0406	BOLT, SF 1/4-20 X 3/4	2
4	64.0923	MOUNT, WATER BOTTLE KT	1
5	99.SF04	NUT, SF 1/4-20 USS	10
6	99.SF0404-1	BOLT, SF 1/4-20 X 1/2 W/RUBBER	2
7	64.0931^	BRACE, RADIATOR LEFT-VANG. KT^	1
7	64.1048^^	BRACE, RADIATOR KT^^	1
8	64.1232^	SCREEN, RIBBED RAD 4200 U&V^	1
8	62.1044^^	SCREEN, RIBBED RAD 31GAS/26DSL^^	1
9	47.0204	CAP, RADIATOR VANG. 13#	1
10	11.0052	CLAMP, HOSE SS 13/16 X 1-1/2	6
11	47.0201	HOSE, UPPER RADIATOR KT.	1
12	64.0936	SUPPORT, THROTTLE/CHOKE CABLE	1
13	99.SF0404	BOLT, SF 1/4-20 X 1/2	6
14	06.0043-17IN	TRIM, TRIM SEAL W/BULB X 17"	1
15	60.0813^	SHROUD, RADIATOR VANG 13-1/4^	1
15	60.0866^^	SHROUD, RADIATOR FOR 47.0224^^	1
16	05.0051	ISOLATOR, 1/4-20 X 1/2 X 1	2
17	64.0932^	BRACE, RADIATOR RIGHT-VANG. KT^	1
17	64.1048^^	BRACE, RADIATOR KT^^	1
18	60.0848	SHIELD, RADIATOR DEBRIS	1
19	99.SF06	NUT, SF 3/8-16 USS	2
20	05.0059	ISOLATOR, 3/8-16 X 1.5 OD X 1	2
21	70.4044^	KIT, 26.5/31HP RADIATOR UPDATE^	1
21	47.0224^^	RADIATOR, 3 ROW 1.75" TANKS^^	1
22	47.0212	HOSE, 1" X 3-1/4" LOWER RAD.	2
23	47.0211	TUBE, LOWER RADIATOR 4200 VANG.	1
24	47.0203	KIT, HOSE, LOWER RAD. VANG KT	1
25	64.0999	BRACKET, WATER BOTTLE	1
26	27.A04-36IN	HOSE, NEOP BLACK 1/4 X 7/16 X 36"	1
27	30.0136	CLAMP, LOOM 1/2 ROSEBUD MOUNT	2
28	11.0038	CLAMP, HOSE S/S 7/32 - 5/8	2

^Used with natural diesel engines through serial # UBB1437.

^Used with gas engines through serial # VBB1513.

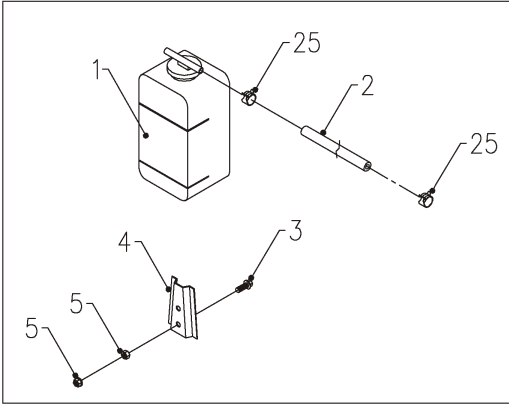
^^Used with natural diesel engines serial # UBB1438 -.

^^Used with gas engines serial # VBB1514 -.

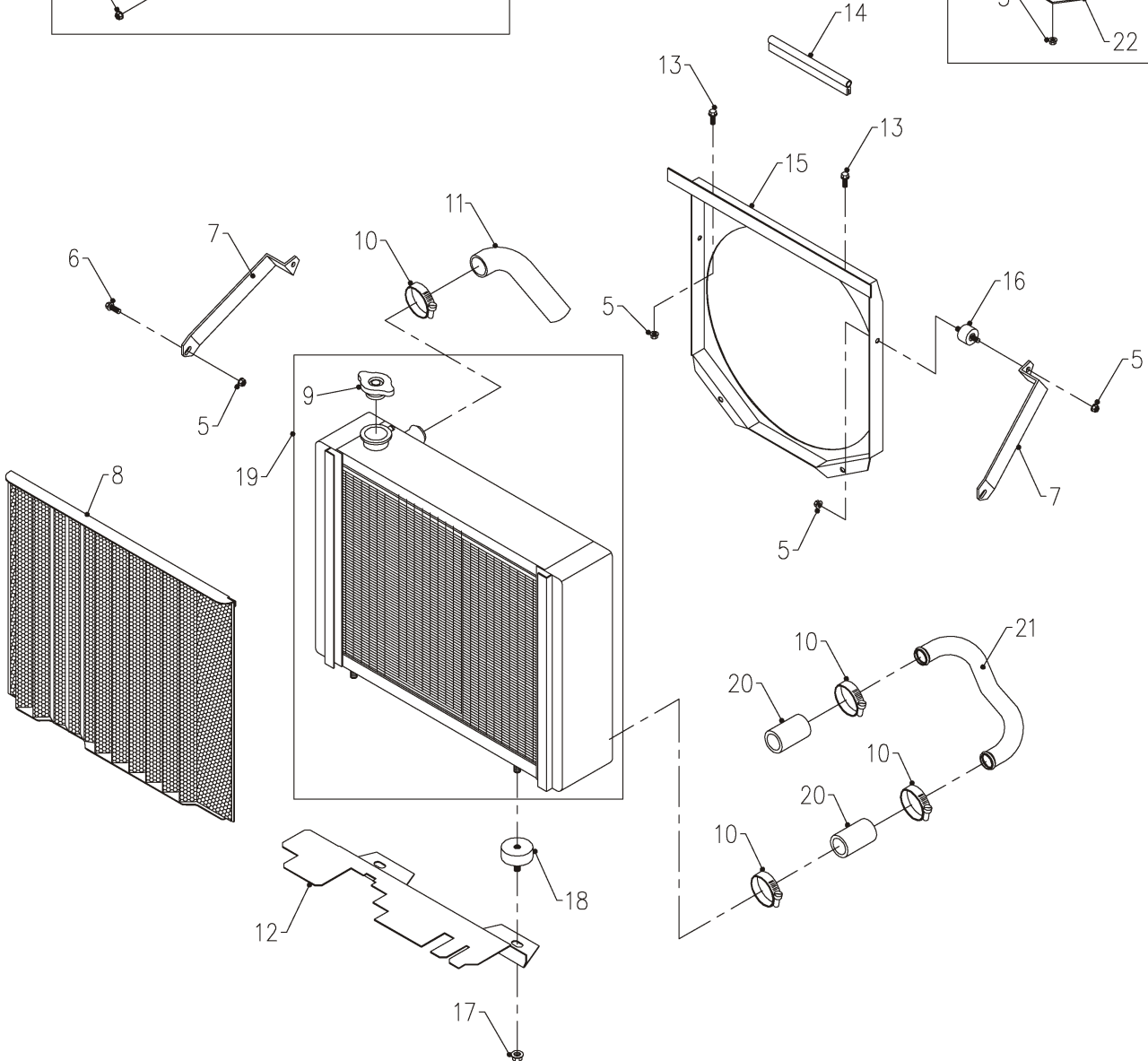
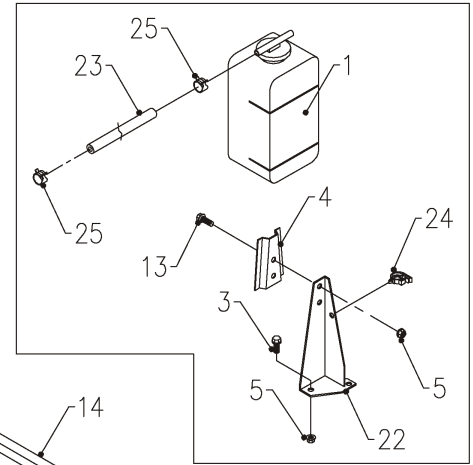
ENGINE/ENGINE DRIVES

ILLUSTRATED DRAWING VANGUARD TURBO DIESEL COOLING SYSTEM

SERIAL # 1001-1086



SERIAL # 1087 -



ENGINE/ENGINE DRIVES

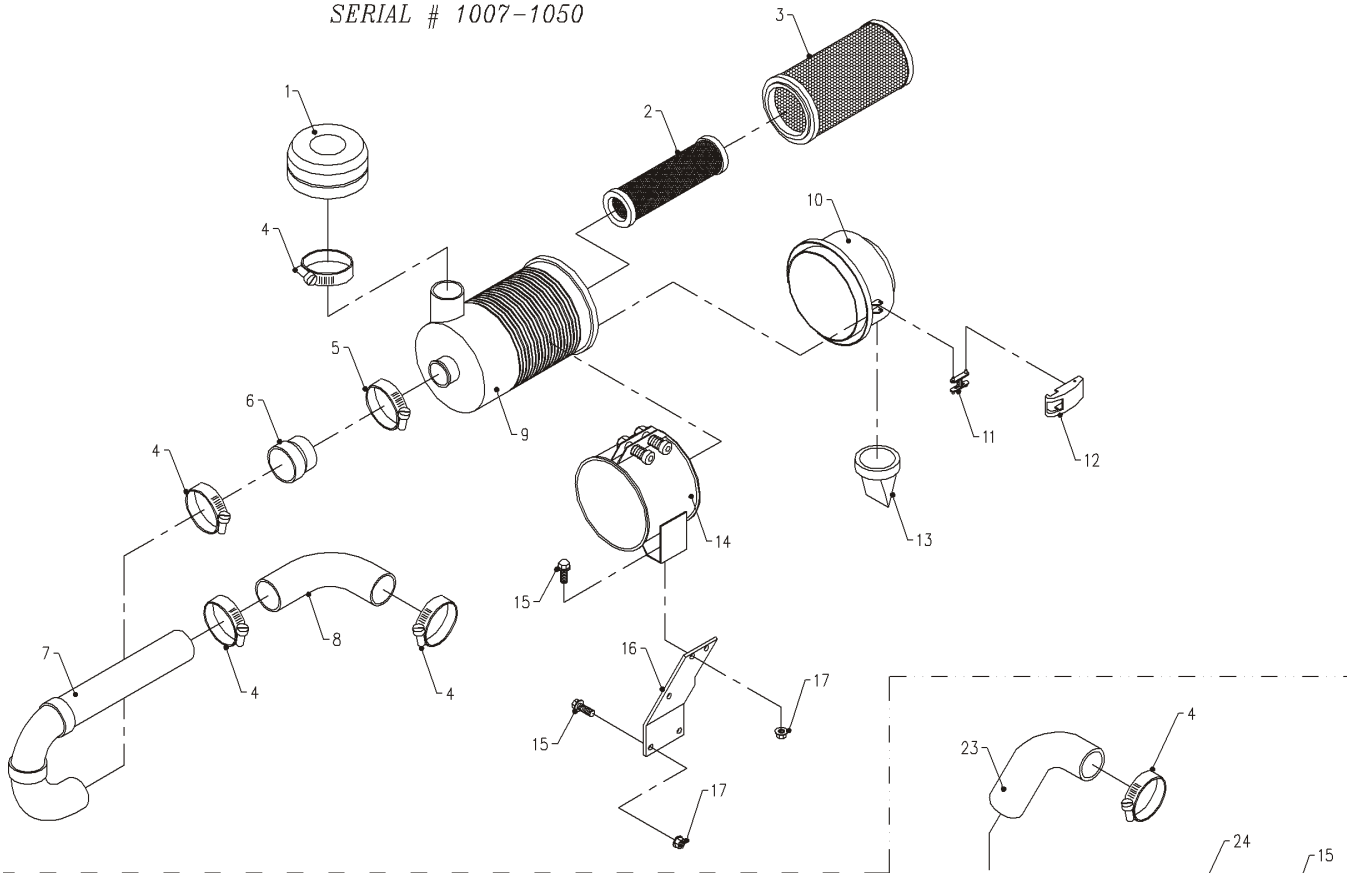
VANGUARD TURBO DIESEL COOLING SYSTEM

REF.	PART NO.	DESCRIPTION	QTY.
1	47.0187	TANK, COOLANT RECOVERY	1
2	27.A04-18IN	HOSE, NEOP BLACK 1/4 X 7/16 X 18"	1
3	99.SF0406	BOLT, SF 1/4-20 X 3/4	2
4	64.0923	MOUNT, WATER BOTTLE KT	1
5	99.SF04	NUT, SF 1/4-20 USS	10
6	99.SF0404-1	BOLT, SF 1/4-20 X 1/2 W/RUBBER	2
7	64.1048	BRACE, RADIATOR KT	2
8	62.1043	SCREEN, RIBBED RADIATOR TURBO	1
9	47.0204	CAP, RADIATOR VANG. 13#	1
10	11.0052	CLAMP, HOSE SS 13/16 X 1-1/2	6
11	47.0218	HOSE, UPPER RADIATOR KT TURBO	1
12	60.0848	SHIELD, RADIATOR DEBRIS	1
13	99.SF0404	BOLT, SF 1/4-20 X 1/2	6
14	06.0043-17IN	TRIM, TRIM SEAL W/BULB X 17"	1
15	60.0847	SHROUD, RADIATOR FOR 47.0217	1
16	05.0051	ISOLATOR, 1/4-20 X 1/2 X 1	2
17	99.SF06	NUT, SF 3/8-16 USS	2
18	05.0059	ISOLATOR, 3/8-16 X 1.5 OD X 1	2
19	47.0217	RADIATOR, TURBO	1
20	47.0212	HOSE, 1" X 3-1/4" LOWER RAD.	2
21	47.0211	TUBE, LOWER RADIATOR 4200 VANG.	1
22	64.0999	BRACKET, WATER BOTTLE	1
23	27.A04-36IN	HOSE, NEOP BLACK 1/4 X 7/16 X 36"	1
24	30.0136	CLAMP, LOOM 1/2 ROSEBUD MOUNT	1
25	11.0038	CLAMP, HOSE S/S 7/32 - 5/8	2

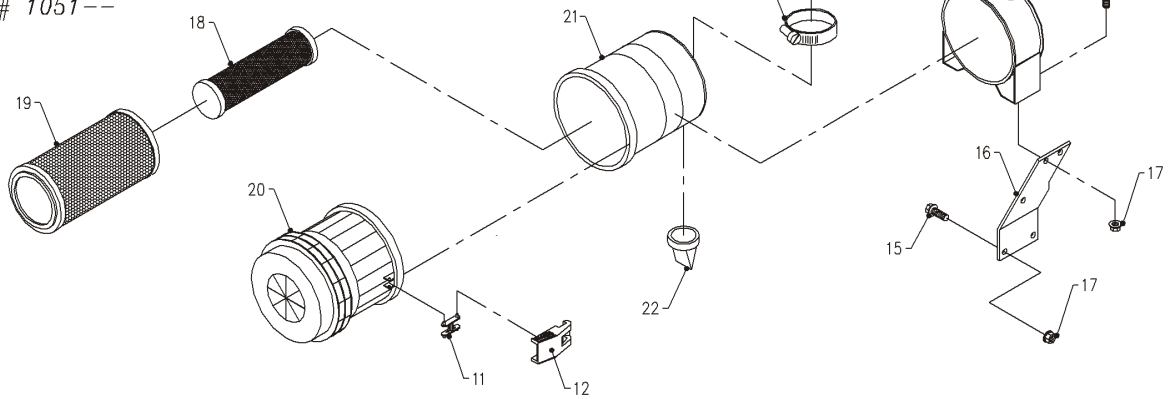
ENGINE/ENGINE DRIVES

ILLUSTRATED DRAWING VANGUARD GAS & NATURAL DIESEL AIR INTAKE

SERIAL # 1007-1050



SERIAL # 1051--



ENGINE/ENGINE DRIVES

VANGUARD GAS & NATURAL DIESEL AIR INTAKE

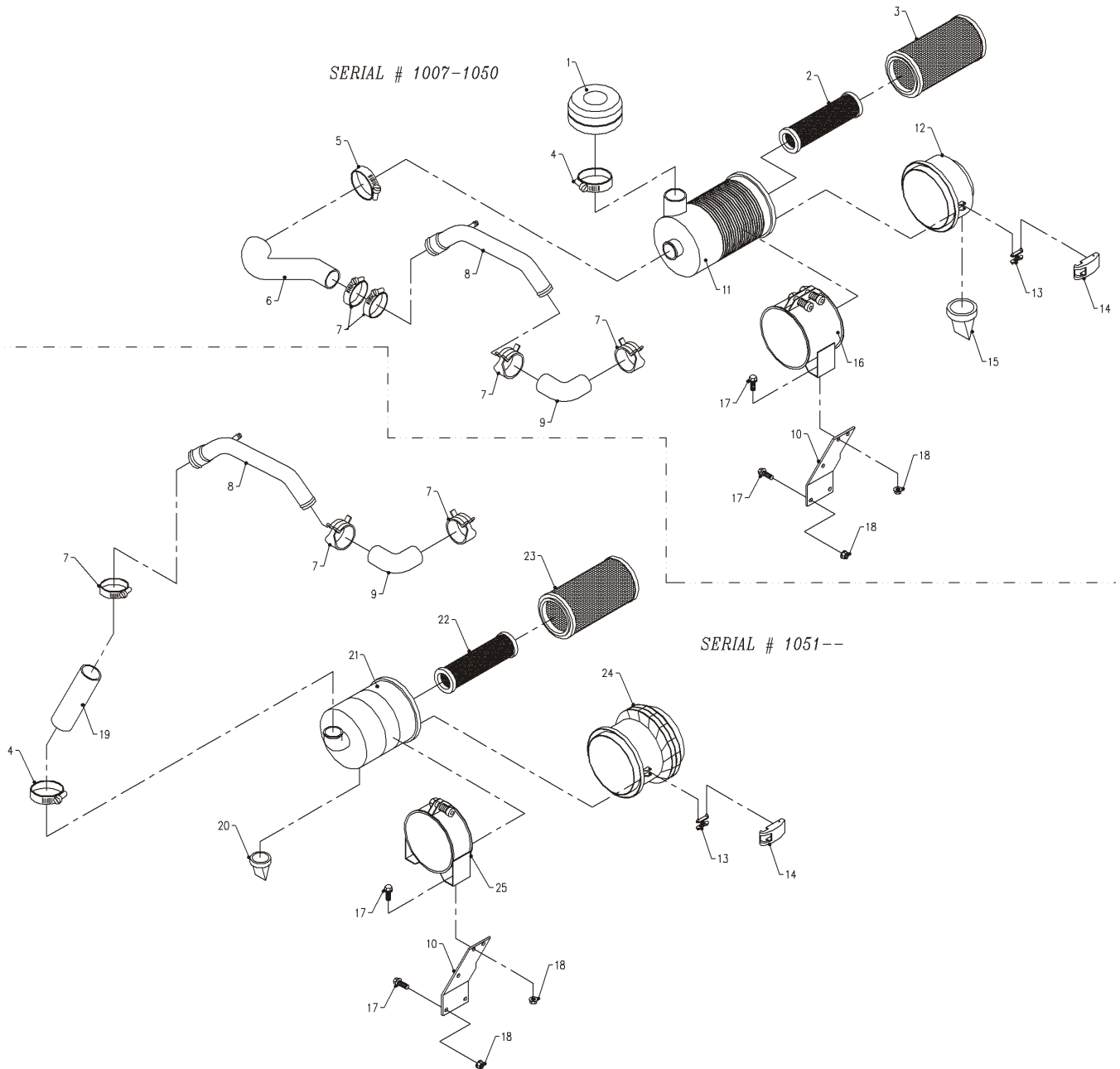
REF.	PART NO.	DESCRIPTION	QTY.
1	13.0149-3*	PRE-CLEANER, ENGINEAIRE,KUBOTA	1
2	13.0149-1*	FILTER, AIR ELEMENT INNER	1
3	13.0149-2*	FILTER, AIR-ELEMENT OUTER	1
4	11.0043	CLAMP, HOSE S/S 1-5/16 - 2-1/4	A/R
5	11.0044	CLAMP, HOSE S/S 1-9/16- 2-1/2	1
6	47.0194	HOSE, AIR INTAKE FILT/TUBE CON	1
7	47.0196	TUBE, AIR INTAKE-VAN GAS/DSL	1
8	47.0195	HOSE, INTAKE TUBE/CARB VAN GAS	1
8	47.0198	HOSE, INTAKE TUBE/MANIFOLD DSL	1
9	13.0149-7*	BODY, FILTER DUAL ELEMENT	1
10	13.0149-5*	CAP, END DUAL ELEMENT	1
11	13.0149-9*^	HINGE, CLAMP	2
12	13.0149-8*^	CLAMP, AIR FILTER	2
13	13.0149-4*	DRAIN, DUCKBILL DUAL ELEMENT	1
14	13.0149-6*	BRACKET, MOUNTING	1
15	99.SF0506	BOLT, SF 5/16-18 USS X 3/4	4
16	64.0930	MOUNT, AIR CLEANER-VANG. KT	1
17	99.SF05	NUT, SF 5/16-18 USS	4
18	13.0182-1^	FILTER, AIR ELEMENT INNER	1
19	13.0182-2^	FILTER, AIR- ELEMENT OUTER	1
20	13.0182-4^	ASM, PRECLEANER & END CAP	1
21	13.0182-3^	BODY, FILTER DUAL ELEMENT	1
22	13.0182-6^	DRAIN, DUCKBILL	1
23	47.0208	HOSE, INTAKE FILTER/CARB GAS	1
23	47.0209	HOSE, INTAKE FILTER/INTAKE DSL	1
24	13.0182-5^	BRACKET, MOUNTING	1

*These parts are included in the air filter assembly (Part # 13.0149).

^These parts are included in the air filter assembly (Part # 13.0182).

ENGINE/ENGINE DRIVES

ILLUSTRATED DRAWING VANGUARD TURBO DIESEL AIR INTAKE



ENGINE/ENGINE DRIVES

VANGUARD TURBO DIESEL AIR INTAKE

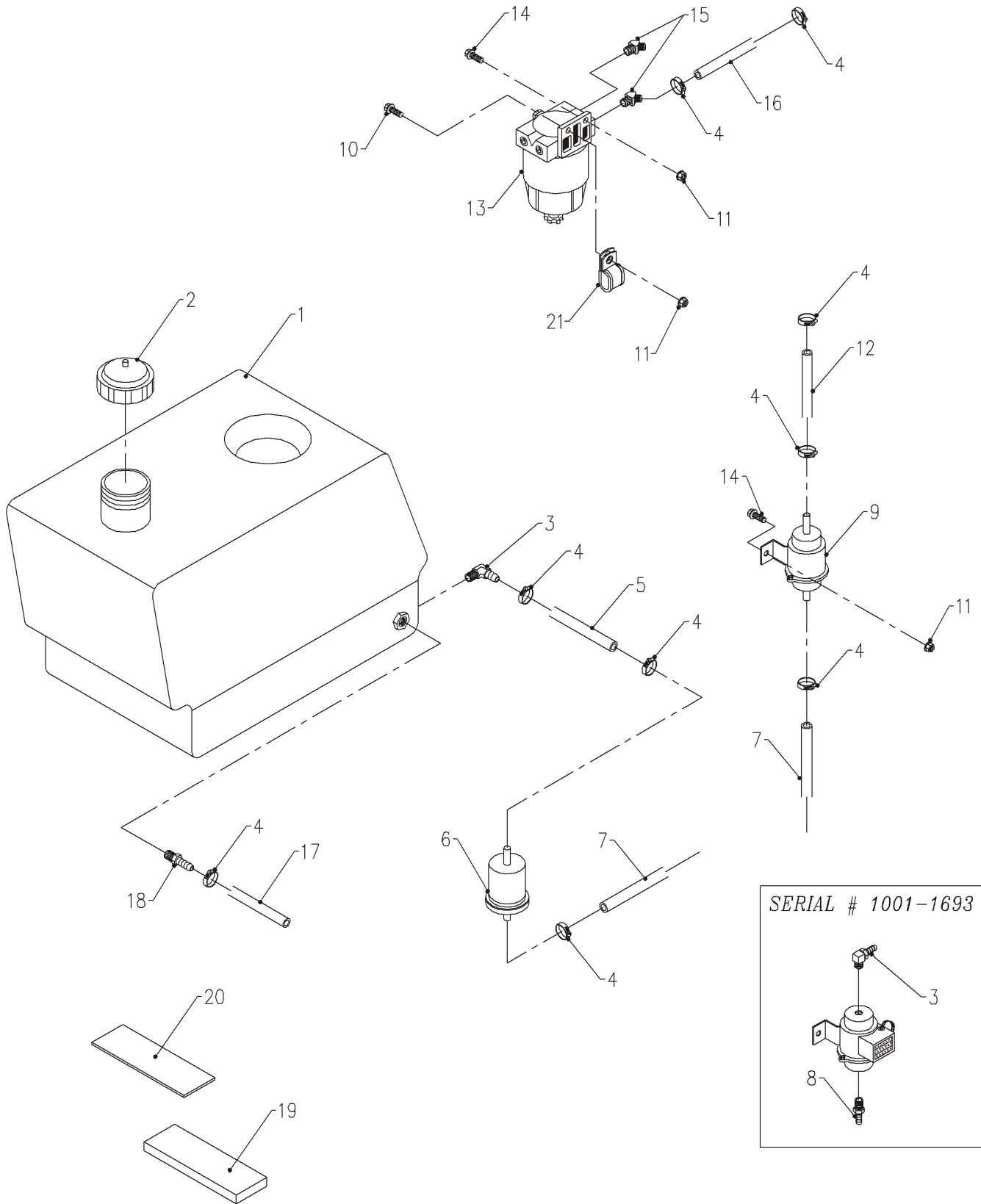
REF.	PART NO.	DESCRIPTION	QTY.
1	13.0149-3*	PRE-CLEANER, ENGINEAIRE,KUBOTA	1
2	13.0149-1*	FILTER, AIR ELEMENT INNER	1
3	13.0149-2*	FILTER, AIR-ELEMENT OUTER	1
4	11.0043	CLAMP, HOSE S/S 1-5/16 - 2-1/4	A/R
5	11.0044	CLAMP, HOSE S/S 1-9/16- 2-1/2	1
6	47.0190	HOSE, AIR INTAKE PIPE/CLEANER	1
7	11.0033	CLAMP, HOSE S/S 1-1/16 - 2	A/R
8	14.0021	TUBE, INTAKE 1.38 TURBO/FILTER.	1
9	47.0191	HOSE, AIR INTAKE TURBO/PIPE	1
10	64.0930	MOUNT, AIR CLEANER-VANG. KT	1
11	13.0149-7*	BODY, FILTER DUAL ELEMENT.	1
12	13.0149-5*	CAP, END DUAL ELEMENT	1
13	13.0149-9*^	HINGE, CLAMP	2
14	13.0149-8*^	CLAMP, AIR FILTER	2
15	13.0149-4*	DRAIN, DUCKBILL DUAL ELEMENT	1
16	13.0149-6*	BRACKET, MOUNTING	1
17	99.SF0506	BOLT, SF 5/16-18 USS X 3/4	4
18	99.SF05	NUT, SF 5/16-18 USS	4
19	14.0023	HOSE, INTAKE FILTER/TUBE TURBO	1
20	13.0182-6^	DRAIN, DUCKBILL	1
21	13.0182-3^	BODY, FILTER DUAL ELEMENT.	1
22	13.0182-1^	FILTER, AIR ELEMENT INNER	1
23	13.0182-2^	FILTER, AIR- ELEMENT OUTER	1
24	13.0182-4^	ASM, PRECLEANER & END CAP	1
25	13.0182-5^	BRACKET, MOUNTING	1

*These parts are included in the air filter assembly (Part # 13.0149).

^These parts are included in the air filter assembly (Part # 13.0182).

ENGINE/ENGINE DRIVES

ILLUSTRATED DRAWING VANGUARD DIESEL FUEL SYSTEM



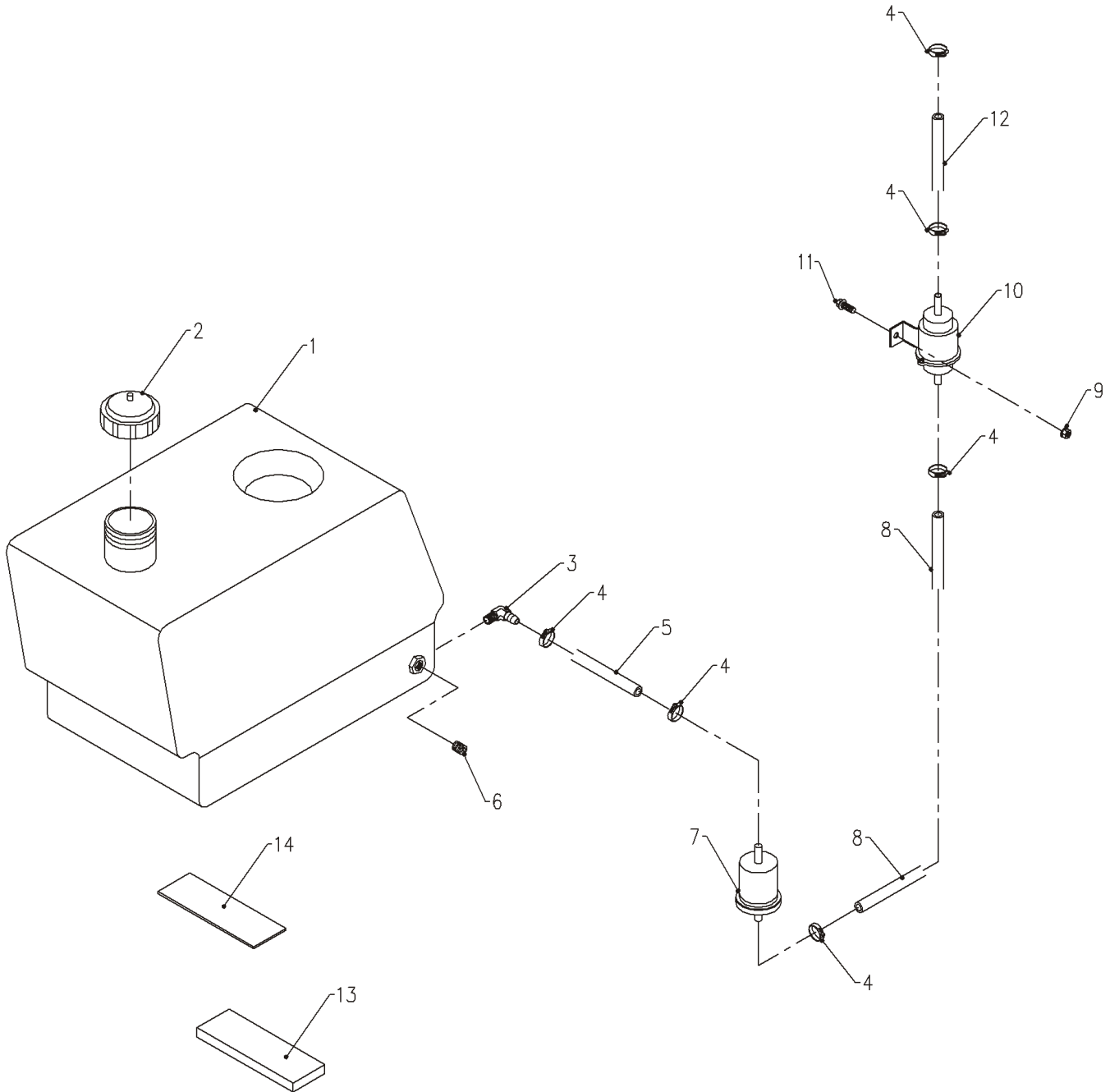
ENGINE/ENGINE DRIVES

VANGUARD DIESEL FUEL SYSTEM

REF.	PART NO.	DESCRIPTION	QTY.
1	47.0124	TANK, FUEL 7 1/4 GAL	1
2	47.0144	CAP, GAS 3-1/2"	1
3	29.BF05MP0290	FITTING B. 5/16 BRB 1/8 NPT 90	2
4	11.0038	CLAMP, HOSE S/S 7/32 - 5/8	10
5	27.F05-18IN	HOSE, FUEL LINE X 5/16 X 18"	1
6	13.0053	FILTER, FUEL - IN LINE 5/16"	1
7	27.F05-40IN	HOSE, FUEL LINE X 5/16 X 40"	1
8	29.BF05MP02	FITTING B. 5/16 BRB 1/8 NPT ST	1
9	13.0058	PUMP, FUEL VANG - W	1
10	99.SF0408	BOLT, SF 1/4 X 1 USS	1
11	99.SF04	NUT, SF 1/4-20 USS	4
12	27.F05-10IN	HOSE, FUEL LINE X 5/16 X 10"	1
13	13.0051	FILTER, FUEL ASSEMBLY (RACOR)	1
	13.0052	FILTER, FUEL ELEMENT	1
	13.0051-1	BOWL, FILTER W/DRAIN & PLUG	1
14	99.SF0406-1	BOLT, SF 1/4-20 X 3/4 W/RUBBER	3
15	29.BF05MP0445	FITTING B. 5/16 BRB 1/4 NPT 45	2
16	27.F05-11.5IN	HOSE, FUEL LINE X 5/16 X 11-1/2"	1
17	27.F04-74IN	HOSE, FUEL LINE X 1/4 X 74"	1
18	29.BF04MP02	FITTING B. 1/4 BARB 1/8 NPT ST	1
19	05.0074	PAD, TANK/FRAME ISOLATOR	1
20	44.0193	ISOLATOR, TANK/FRAME	A/R
21	11.0046	CLAMP, CUSHIONED METAL 1/2"	1

ENGINE/ENGINE DRIVES

ILLUSTRATED DRAWING VANGUARD GAS FUEL SYSTEM



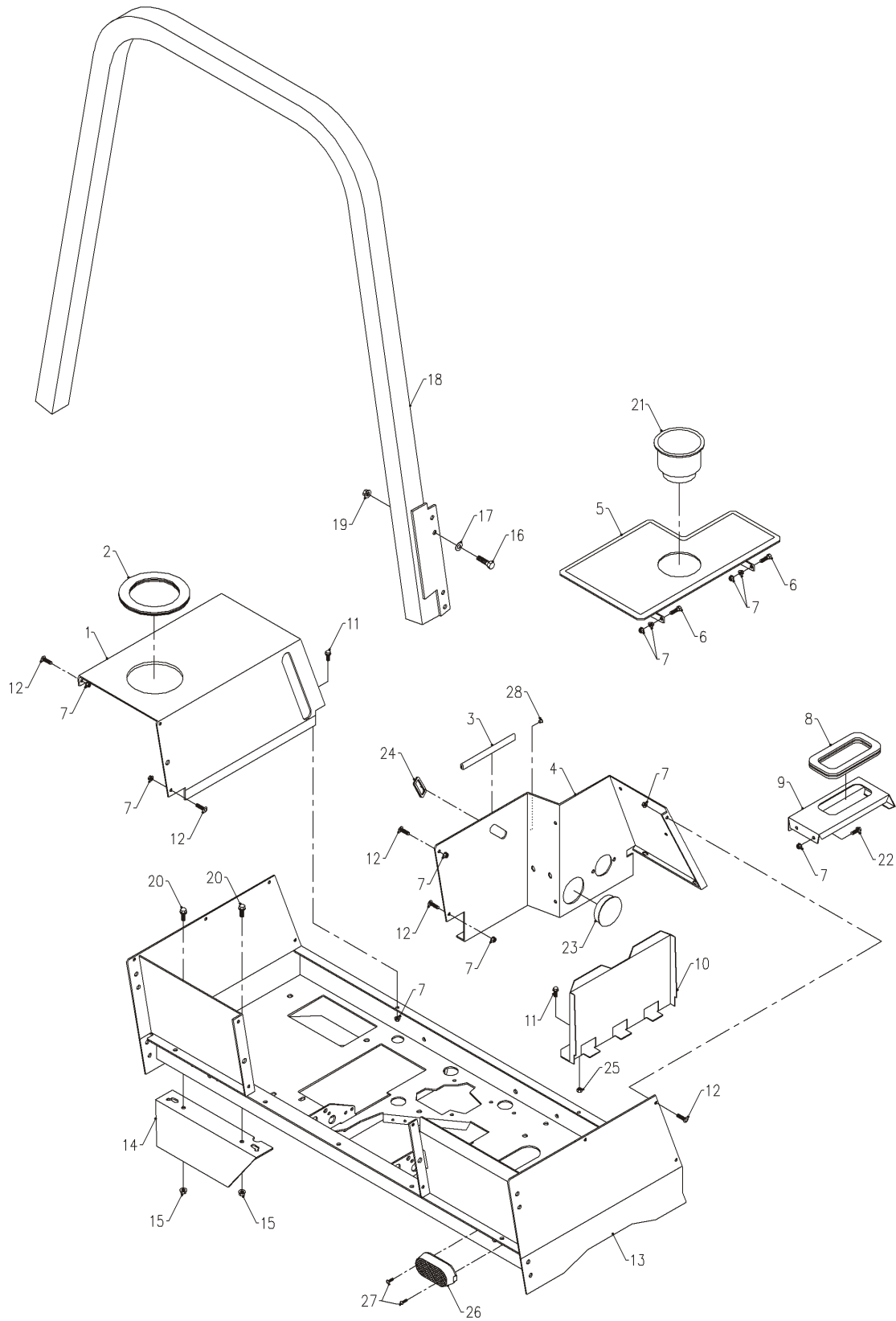
ENGINE/ENGINE DRIVES

VANGUARD GAS FUEL SYSTEM

REF.	PART NO.	DESCRIPTION	QTY.
1	47.0124	TANK, FUEL 7 1/4 GAL	1
2	47.0144	CAP, GAS 3-1/2"	1
3	29.BF04MP0290	FITTING B. 1/4 BRB 1/8 NPT 90	1
4	11.0038	CLAMP, HOSE S/S 7/32 - 5/8	6
5	27.F04-18IN	HOSE, FUEL LINE X 1/4 X 18"	1
6	29.P02G	PIPE, PLUG 1/8 GALV SQ ZP	1
7	13.0134	FILTER, FUEL IN-LINE 1/4 VANG	1
8	27.F04-40IN	HOSE, FUEL LINE X 1/4 X 40"	1
9	99.SF04	NUT, SF 1/4-20 USS	2
10	13.0133	PUMP, FUEL VANG - V	1
11	99.SF0404-1	BOLT, SF 1/4-20 X 1/2 W/RUBBER	2
12	27.F04-23IN	HOSE, FUEL LINE X 1/4 X 23"	1
13	05.0074	PAD, TANK/FRAME ISOLATOR	2
14	44.0193	ISOLATOR, TANK/FRAME	A/R

FRAME, SHEET METAL

ILLUSTRATED DRAWING REAR FRAME, UPPER



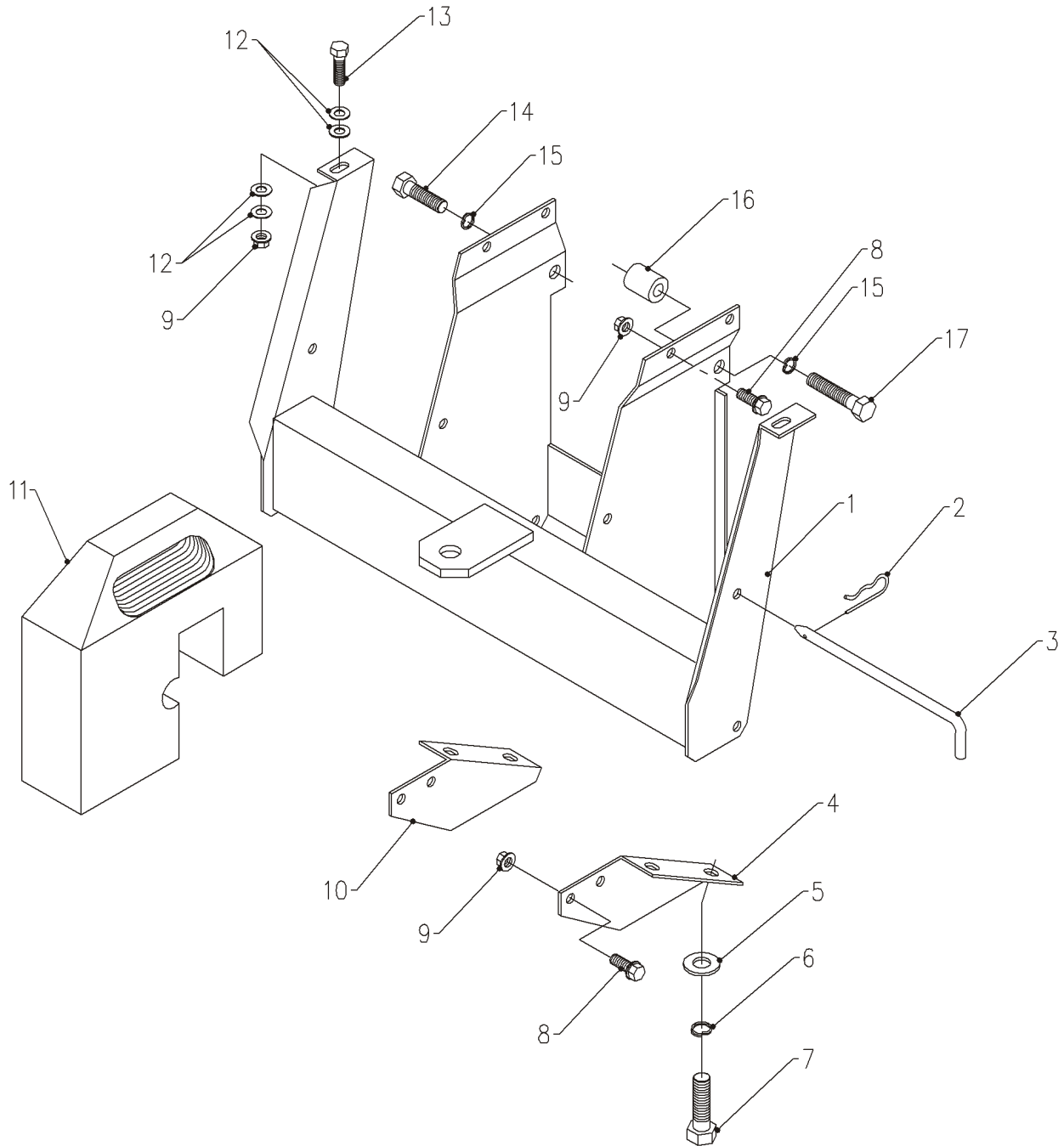
FRAME, SHEET METAL

REAR FRAME, UPPER

REF.	PART NO.	DESCRIPTION	QTY.
1	60.0675	COVER, FUEL TANK	1
2	05.0050	GROMMET,4-3/16ID,5-3/8OD,5/16T	1
3	06.0042-45IN	TRIM, TRIM LOC 1/2 X 1/16 X 45"	1
4	60.0671	PANEL, SIDE TOOLBOX	1
5	64.0940	LID, TOOLBOX BASIC	1
	64.0966	LID, TOOLBOX W/AUX VALVE BODY	1
6	90.0408	BOLT, 1/4-20 USS X 1	2
7	99.SF04	NUT, SF 1/4-20 USS	22
8	05.0049	GROMMET, RECTANGULAR	1
9	60.0667	SHIELD, DIRT F/R LEVER	1
10	64.0743	COMPARTMENT, OWNERS MANUAL	1
11	99.SF0406	BOLT, SF 1/4-20 X 3/4	3
12	99.K0063	BOLT, BUT HD SOCK SS 1/4 X 1/2	8
13	62.0860	FRAME, REAR FENDER WELDMENT	1
14	60.0672	FENDER, REAR FLAP	2
15	99.SF05	NUT, SF 5/16-18 USS	4
16	90.0606	BOLT, 3/8-16 USS X 3/4	8
17	95.06	WASHER, FLAT 3/8 SAE	8
18	62.0772	ROLL BAR, WELDMENT	1
19	99.SF06	NUT, SF 3/8-16 USS	8
20	99.SF0506	BOLT, SF 5/16-18 USS X 3/4	3
21	47.0185	HOLDER, CUP 3.586 OD X3-1/4 DP	1
22	99.SF0404	BOLT, SF 1/4-20 X 1/2	7
23	05.0076	PLUG, 2-1/2" HOLE, BLK PLASTIC	1
24	05.0073	GROMMET, 2 ID, 2-3/4 OD 9/16 T	1
25	92.04	NUT, 1/4-20 USS	2
26	33.0022	LIGHT, TAIL RED-SINGLE BULB	2
	33.0034	LENS, RED REPLACEMENT	2
	33.0038	BULB, LIGHT (ONLY) FOR 33.0022	2
27	99.K0089	SCREW, S/TAP #8-18 X 1/2 ZP SF	4
28	05.0077	PLUG, 1/4" HOLE, NYLON	4

FRAME, SHEET METAL

ILLUSTRATED DRAWING REAR HITCH ASSEMBLY (Serial # 1001-1387)



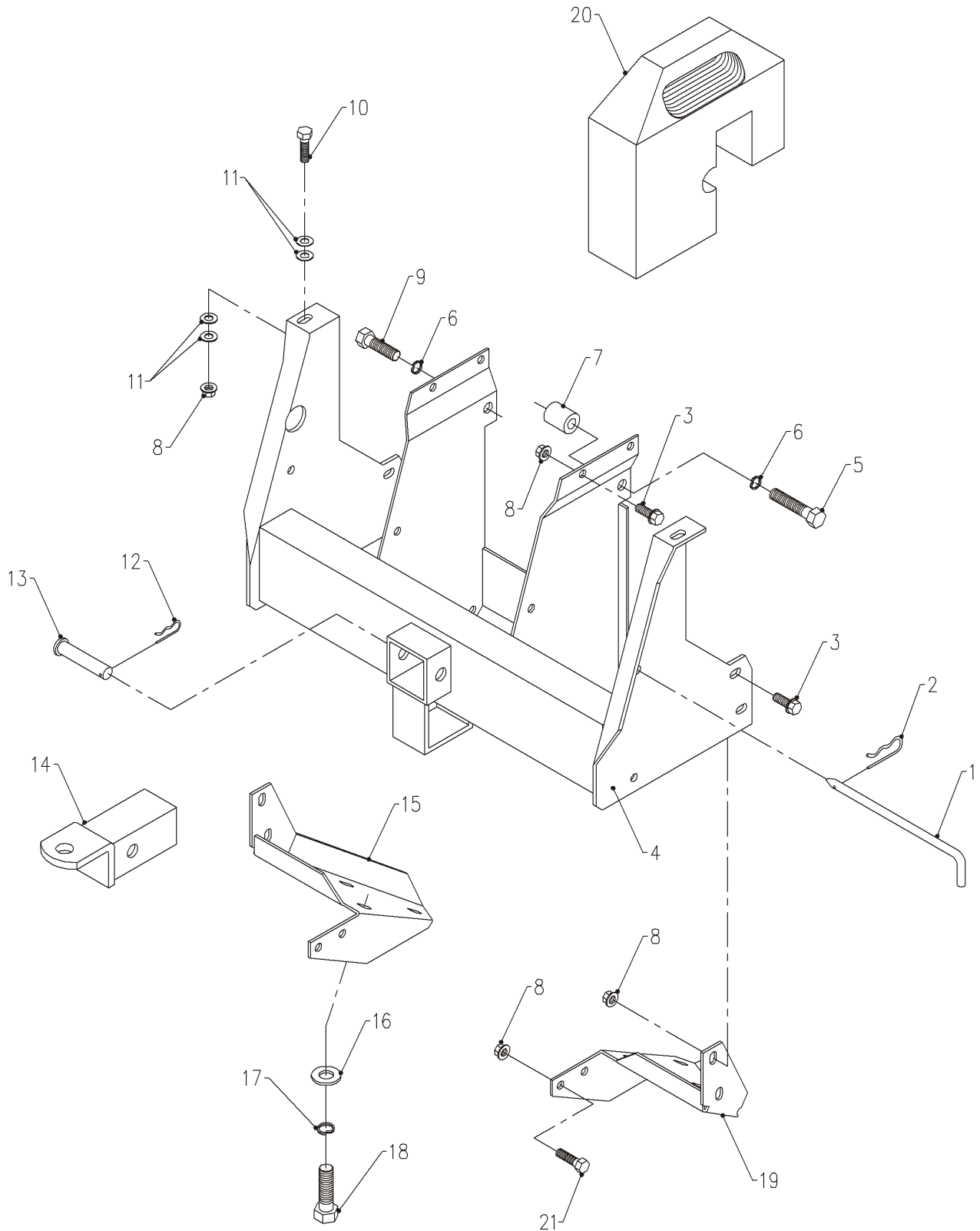
FRAME, SHEET METAL

REAR HITCH ASSEMBLY (Serial # 1001-1387)

REF.	PART NO.	DESCRIPTION	QTY.
1	62.0771	FRAME, WEIGHT BKT/HITCH	1
2	02.HP0416	HAIRPIN, 1/8 X 2	2
3	64.0761	PIN, WEIGHT SECURE 8" USABLE	2
4	64.0685	BRACKET, HITCH FRAME ANCHOR RH	1
5	95.10	WASHER, FLAT 5/8 SAE	6
6	96.10	WASHER, LOCK 5/8	6
7	90.1010	BOLT, 5/8-11 USS X 1 1/4	6
8	99.SF0606	BOLT, SF 3/8-16 USS X 3/4	8
9	99.SF06	NUT, SF 3/8-16 USS	10
10	64.0686	BRACKET, HITCH FRAME ANCHOR LH	1
11	47.0115	WEIGHT, SUITCASE- 42 LBS	4
12	94.06	WASHER, FLAT 3/8 USS	8
13	90.0612	BOLT, 3/8-16 USS X 1 1/2	2
14	90.0810	BOLT, 1/2-13 USS X 1 1/4	1
15	96.08	WASHER, LOCK 1/2	2
16	64.0680	BUSHING, 33/64 X 1 X 1 1/4	1
17	90.0820	BOLT, 1/2-13 USS X 2 1/2	1

FRAME, SHEET METAL

ILLUSTRATED DRAWING REAR HITCH ASSEMBLY (Serial # 1388 -)



FRAME, SHEET METAL

REAR HITCH ASSEMBLY (Serial # 1388 -)

REF.	PART NO.	DESCRIPTION	QTY.
1	64.0761	PIN, WEIGHT SECURE 8" USABLE	2
2	02.HP0416	HAIRPIN, 1/8 X 2	2
3	99.SF0606	BOLT, SF 3/8-16 USS X 3/4	8
4	62.0967	FRAME, WEIGHT BKT/HITCH	1
5	90.0820	BOLT, 1/2-13 USS X 2 1/2	1
6	96.08	WASHER, LOCK 1/2	2
7	64.0680	BUSHING, 33/64 X 1 X 1 1/4	1
8	99.SF06	NUT, SF 3/8-16 USS	14
9	90.0810	BOLT, 1/2-13 USS X 1 1/4	1
10	90.0610	BOLT, 3/8-16 USS X 1 1/4	2
11	94.06	WASHER, FLAT 3/8 USS	8
12	02.HP0420	HAIRPIN, 1/8 X 2 1/2	1
13	03.1024	CLEVIS PIN, 5/8 X 3 OAL	1
14	62.0968	TUBE, RECEIVER HITCH	1
15	64.1066	BRACKET, HITCH FRAME ANCHOR LH	1
16	95.10	WASHER, FLAT 5/8 SAE	6
17	96.10	WASHER, LOCK 5/8	6
18	90.1010	BOLT, 5/8-11 USS X 1 1/4	6
19	64.1065	BRACKET, HITCH FRAME ANCHOR RH	1
20	47.0115	WEIGHT, SUITCASE- 42 LBS	4
21	90.0606	BOLT, 3/8-16 USS X 3/4	4

FRAME, SHEET METAL

SEAT ASSEMBLY

REF.	PART NO.	DESCRIPTION	QTY.
1	47.0112	SEAT, MOLDED HIGH BACK	1
2	47.0114	SLIDE, KIT FOR SEAT 47.0112	1
3	47.0180	SEAT BELT, LAP N/C SWITCH 60"	1
3a.	47.0180-1.	SEAT BELT, 60" LAP BELT RT SID	1
3b.	47.0180-2.	SEAT BELT, BUCKLE W N/C SWTCH.	1
4	99.A07	LOCKNUT, STOVER 7/16-14 USS.	2
5	95.07	WASHER, FLAT 7/16 SAE	5
6	90.0708	BOLT, 7/16-14 USS X 1	1
7	99.SF05	NUT, SF 5/16-18 USS	8
8	99.SF06	NUT, SF 3/8-16 USS	4
9	64.0721	SPACER, SPRING MOUNT	1
10.	41.0057	SPRING, COMP 1.75 OD X 4.25 LG.	3
11.	92.08	NUT, 1/2-13 USS	5
12.	90.0618	BOLT, 3/8-16 USS X 2 1/4	1
13.	05.0053	BOOT, SPRING 1-11/16 ID X 1.	3
14.	90.0610	BOLT, 3/8-16 USS X 1 1/4	2
15.	90.0710	BOLT, 7/16-14 USS X 1 1/4	1
16.	64.0794	BRACKET, SEATBELT	1
17.	99.SF04	NUT, SF 1/4-20 USS	3
18.	99.K0069	BOLT, BUT HD SOCK SS 1/4 X 5/8	1
19a.	62.0861*	PLATE, SEAT HT (Serial # 1001-1544)	1
19b.	62.1001	PLATE, SEAT KT (Serial # 1545 -)	1
20.	05.0044	GROMMET, 1 ID, 1-3/8OD, 3/32TK	1
21.	02.CP0508	COTTER PIN, 5/32 X 1.	1
22.	99.SF0606	BOLT, SF 3/8-16 USS X 3/4	1
23.	64.0955	LATCH, SEAT KT.	1
24.	90.0406	BOLT, 1/4-20 USS X 3/4	1
25.	64.1095	BRACKET, SEAT PLATE HINGE LH.	1
26.	90.0506	BOLT, 5/16-18 USS X 3/4	4
27.	62.1040**	BRACKET, SEAT PROP (Serial # 2217 -)	1
28.	99.E0058	NUT, JAM 1/2-13 USS	2
29.	64.1094	BRACKET, SEAT PLATE HINGE RH.	1
30.	85.B0027	BUSHING, 1/2 ID X 5/8 OD X 5/8	2
31.	90.0816	BOLT, 1/2-13 USS X 2	2

*The old seat plate can be upgraded to the new seat plate and hinge by ordering kit # 70.4043.

**The seat prop can be added to any tractor by ordering kit # 70.4052.

FRAME, SHEET METAL

REAR FRAME, LOWER

REF.	PART NO.	DESCRIPTION	QTY.
1	60.0674	COVER, FLOOR TUNNEL	1
2	99.SF0405-1	BOLT, SF 1/4-20 X 5/8 W/RUBBER	1
3	44.0220	FLEX TREAD, FOOT PLATE	1
4	62.0770	FRAME, LOWER REAR WELDMENT	1
5	60.0670	FENDER, RIGHT REAR	1
6	90.0506	BOLT, 5/16-18 USS X 3/4	6
7	95.05	WASHER, FLAT 5/16 SAE	6
8	99.SF05	NUT, SF 5/16-18 USS	9
9	99.SF0606	BOLT, SF 3/8-16 USS X 3/4	9
10	90.0808	BOLT, 1/2-13 USS X 1	3
11	96.08	WASHER, LOCK 1/2	3
12	99.SF06	NUT, SF 3/8-16 USS	9
13a	60.0666	PLATE, REAR AXLE COVER/SKID (Serial # 1001-2340)	1
13b	60.0912	PLATE, REAR AXLE CVR/SKD NO3PT (Serial # 2341 -)	1
14	60.0669	PANEL, BATTERY LEFT FENDER	1
15	64.0687	CLAMP, BATTERY HOLDDOWN	1
16	99.SF0506	BOLT, SF 5/16-18 USS X 3/4	3
17	99.SF04	NUT, SF 1/4-20 USS	8
18	99.K0063	BOLT, BUT HD SOCK SS 1/4 X 1/2	4
19	64.0938	DIVIDER, TUNNEL KT (Serial # 1001-1654)	1
20	99.SF0406	BOLT, SF 1/4-20 X 3/4	1
21	64.0939	DIVIDER, TUNNEL LEANING KT (Serial # 1001-1654)	1
22	99.E0046	NUT, "U" 1/4-20 EXTRUDED	1
23	99.SF0404	BOLT, SF 1/4-20 X 1/2	4
24	44.0192	PROTECTOR, HOSE	1
25	44.0219	FLEX TREAD, RIGHT FOOT PLATE	1
26	64.1113	BRACKET, TUNNEL HOSE GUARD (Serial # 1655 -)	1
27	44.0210	SLEEVE, HOSE BUNDLING 3 X 15.5 (Serial # 1655 -)	1
28	44.0218	FLEX TREAD, LEFT FOOT PLATE	1

FRAME, SHEET METAL

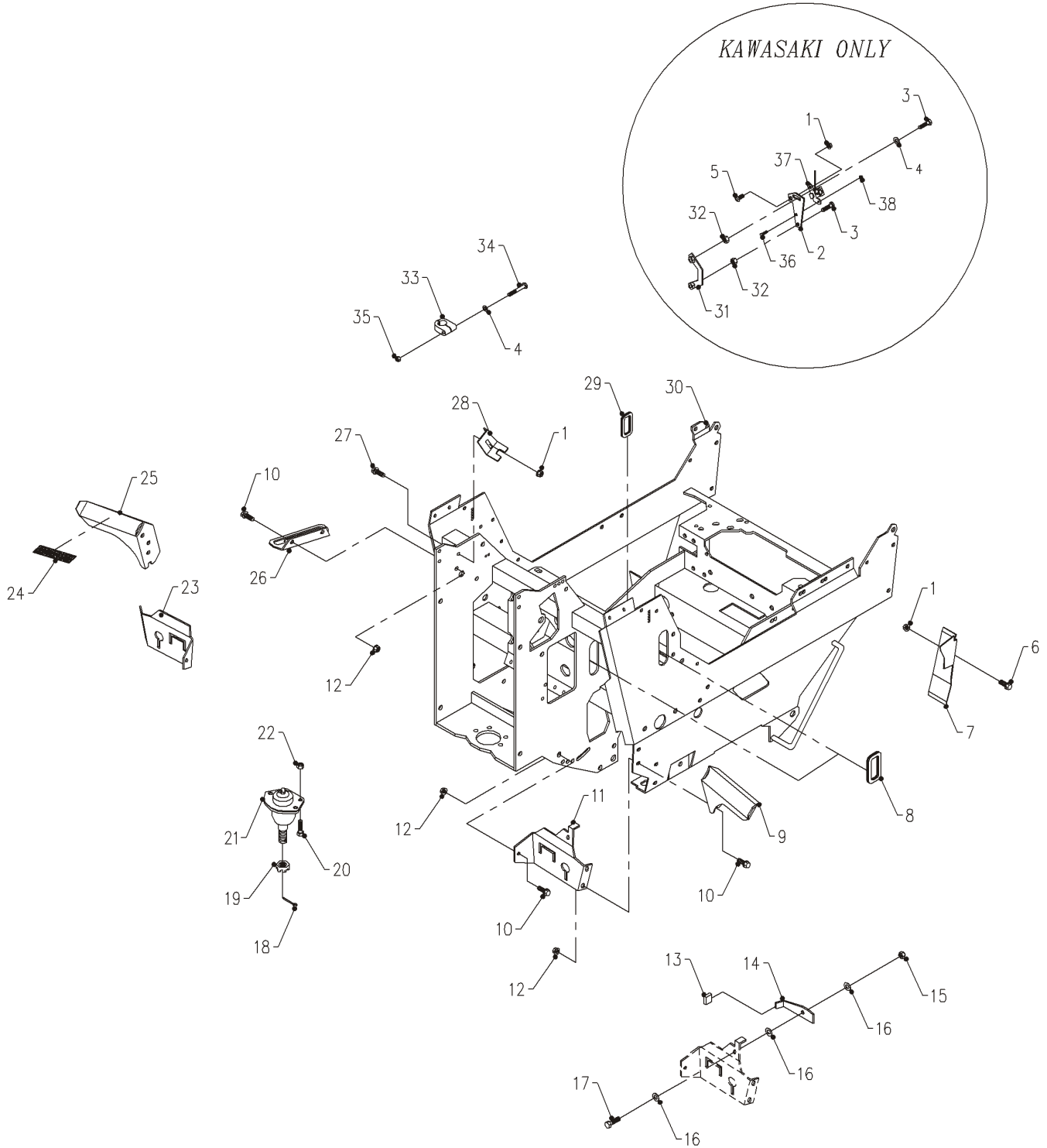
FRONT FRAME (Serial # 1001-1184)

REF.	PART NO.	DESCRIPTION	QTY.
1	99.SF04	NUT, SF 1/4-20 USS	4
2	64.0962	PLATE, TRIGGER MOUNT KAW KT.	1
3	90.0408	BOLT, 1/4-20 USS X 1	2
4	95.04	WASHER, FLAT 1/4 SAE.	2
5	99.K0063	BOLT, BUT HD SOCK SS 1/4 X 1/2	1
6	99.SF0404	BOLT, SF 1/4-20 X 1/2	2
7	60.0812	RETAINER, MAIN HOSE	1
8	05.0073	GROMMET, 2 ID, 2-3/4 OD 9/16 T	2
9	64.0926	FOOT PEG, RIGHT.	1
10	99.SF0506	BOLT, SF 5/16-18 USS X 3/4	8
11	64.0927	PLATE, TRANSFER CH ATTACH, RH.	1
12	99.SF05	NUT, SF 5/16-18 USS	8
13	99.A10NF	LOCKNUT, STOVER 5/8-18 SAE	2
14	62.0903	FRAME, FRONT CONN. LINK ANCHOR	1
15	95.10	WASHER, FLAT 5/8 SAE.	6
16	96.10	WASHER, LOCK 5/8	6
17	90.1010	BOLT, 5/8-11 USS X 1 1/4	6
18	91.1018	BOLT, 5/8-18 SAE X 2 1/4	2
19	64.0708	SKID PLATE, BOTTOM RIGHT	1
20	42.0438	LINK, FRONT/REAR CONNECTOR	1
21	99.SF06	NUT, SF 3/8-16 USS	2
22	62.0902	FRAME, CROSS MEMBER	1
23	99.SF0606	BOLT, SF 3/8-16 USS X 3/4	2
24	99.SF08	NUT, SF 1/2-13 USS	4
25	95.08	WASHER, FLAT 1/2 SAE.	4
26	90.0808	BOLT, 1/2-13 USS X 1	4
27	02.CP0413*	COTTER PIN, 1/8 X 1 5/8	1
28	99.E0057*	NUT, CASTLE 5/8-18 SAE	1
29	99.K0077*	BOLT, 5/16-24 SAE X 1 GRADE 8	4
30	43.101	BALL JOINT, MAIN ARTICULATING	1
31	99.A05NF	LOCKNUT, STOVER 5/16-24 SAE	4
32	64.0928	PLATE, TRANSFER CH ATTACH, LH	1
33	44.0221	FLEX TREAD, FOOT PEG	2
34	64.0925	FOOT PEG, LEFT	1
35	64.0696	BRACKET, SLIDE-HI/LOW SHIFT	1
36	99.SF0405-1	BOLT, SF 1/4-20 X 5/8 W/RUBBER	1
37	64.0917	BRACKET, NEUTRAL SWITCH	1
38	05.0079	GROMMET, 1.6 ID, 2.25 OD, 7/16 T	1
39	64.0709	SKID PLATE, BOTTOM LEFT	1
40	62.0901	FRAME, MAIN FRONT KT	1
41	64.0986	BRACKET, TACH PICKUP MOUNTING	1
42	92.05	NUT, 5/16-18 USS	2
43	99.K0041	MACHINE SCREW, #8-32 X 1/2	1
44	13.0162	TRIGGER, IGNITION.	1
45	99.E0062	NUT, SF#8-32	1

*Supplied with 43.101 ball joint assembly.

FRAME, SHEET METAL

ILLUSTRATED DRAWING FRONT FRAME, UPPER (Serial # 1185 -)



FRAME, SHEET METAL

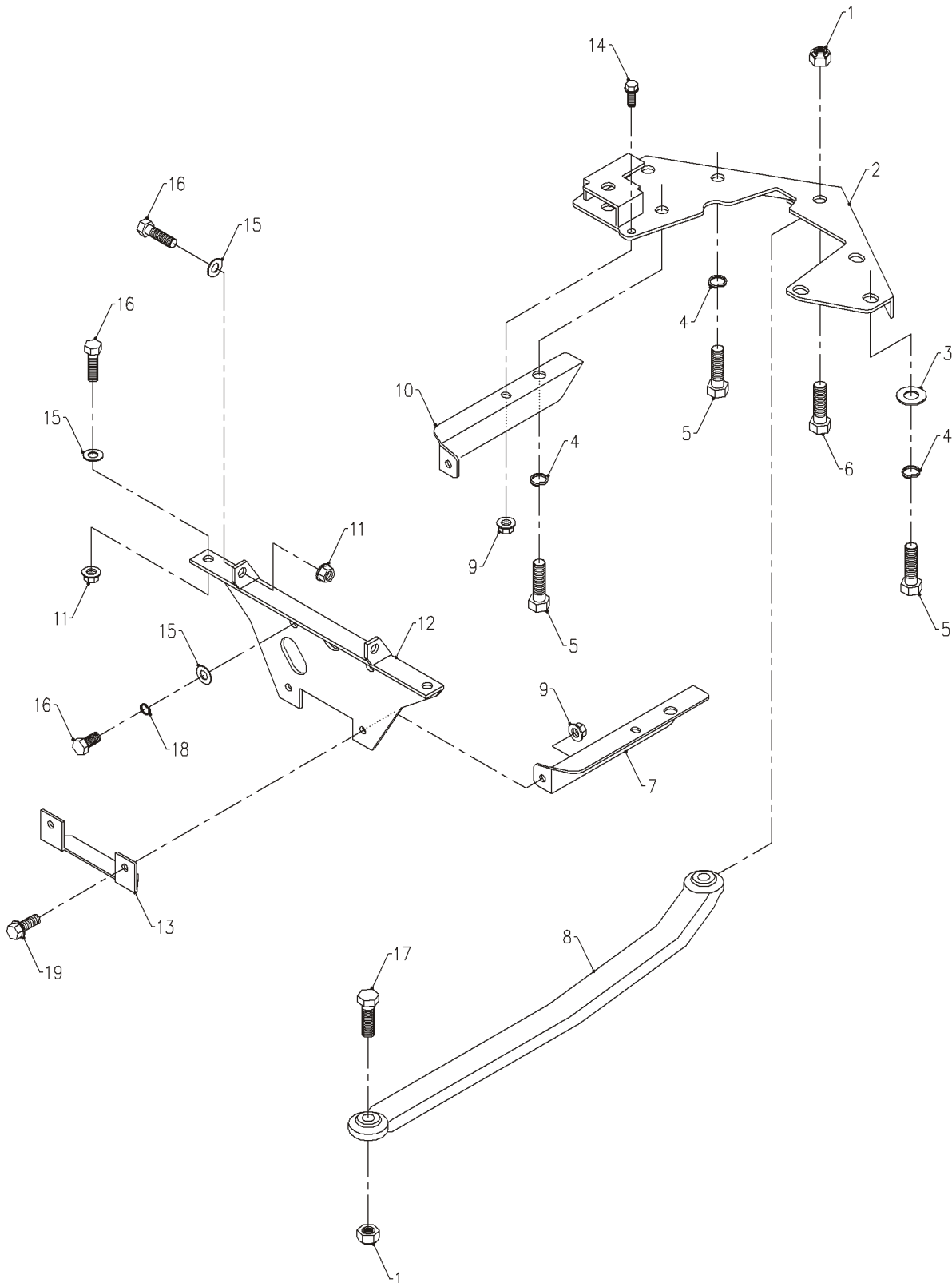
FRONT FRAME, UPPER (Serial # 1185 -)

REF.	PART NO.	DESCRIPTION	QTY.
1	99.SF04	NUT, SF 1/4-20 USS	4
2	64.0962	PLATE, TRIGGER MOUNT KAW KT.	1
3	90.0408	BOLT, 1/4-20 USS X 1	2
4	95.04	WASHER, FLAT 1/4 SAE.	2
5	99.K0063	BOLT, BUT HD SOCK SS 1/4 X 1/2	1
6	99.SF0404	BOLT, SF 1/4-20 X 1/2	2
7	60.0812	RETAINER, MAIN HOSE	1
8	05.0073	GROMMET, 2 ID, 2-3/4 OD 9/16 T	2
9	64.1185	FOOT PEG, RIGHT.	1
10	99.SF0506	BOLT, SF 5/16-18 USS X 3/4	8
11	64.0927	PLATE, TRANSFER CH ATTACH, RH.	1
12	99.SF05	NUT, SF 5/16-18 USS	8
13	06.0044	CAP, PLASTIC 1/8 X 1/2 X 7/8	1
14	64.1042	LOCK, FRONT HITCH	1
15	99.A05	LOCKNUT, STOVER 5/16-18 USS.	1
16	95.05	WASHER, FLAT 5/16 SAE	3
17	90.0506	BOLT, 5/16-18 USS X 3/4	1
18	02.CP0413*	COTTER PIN, 1/8 X 1 5/8	1
19	99.E0057*	NUT, CASTLE 5/8-18 SAE	1
20	99.K0077*	BOLT, 5/16-24 SAE X 1 GRADE 8	4
21	43.101	BALL JOINT, MAIN ARTICULATING	1
22	99.A05NF	LOCKNUT, STOVER 5/16-24 SAE	4
23	64.0928	PLATE, TRANSFER CH ATTACH, LH	1
24	44.0221	FLEX TREAD, FOOT PEG	2
25	64.1186	FOOT PEG, LEFT	1
26	64.0696	BRACKET, SLIDE-HI/LOW SHIFT	1
27	99.SF0406	BOLT, SF 1/4-20 X 3/4	1
28	64.0917	BRACKET, NEUTRAL SWITCH	1
29	05.0079	GROMMET, 1.6 ID, 2.25 OD, 7/16 T	1
30	62.0901	FRAME, MAIN FRONT KT	1
31	64.0986	BRACKET, TACH PICKUP MOUNTING	1
32	92.05	NUT, 5/16-18 USS	2
33	11.0062	CLAMP, HOSE SINGLE CAVITY (Serial # 2361 -)	2
34	90.0414	BOLT, 1/4-20 USS X 1 3/4	2
35	99.A04	LOCKNUT, STOVER 1/4-20 USS	2
36	99.K0041	MACHINE SCREW, #8-32 X 1/2	1
37	13.0162	TRIGGER, IGNITION.	1
38	99.E0062	NUT, SF#8-32	1

*Supplied with 43.101 ball joint assembly.

FRAME, SHEET METAL

ILLUSTRATED DRAWING FRONT FRAME, LOWER (Serial # 1185 -)



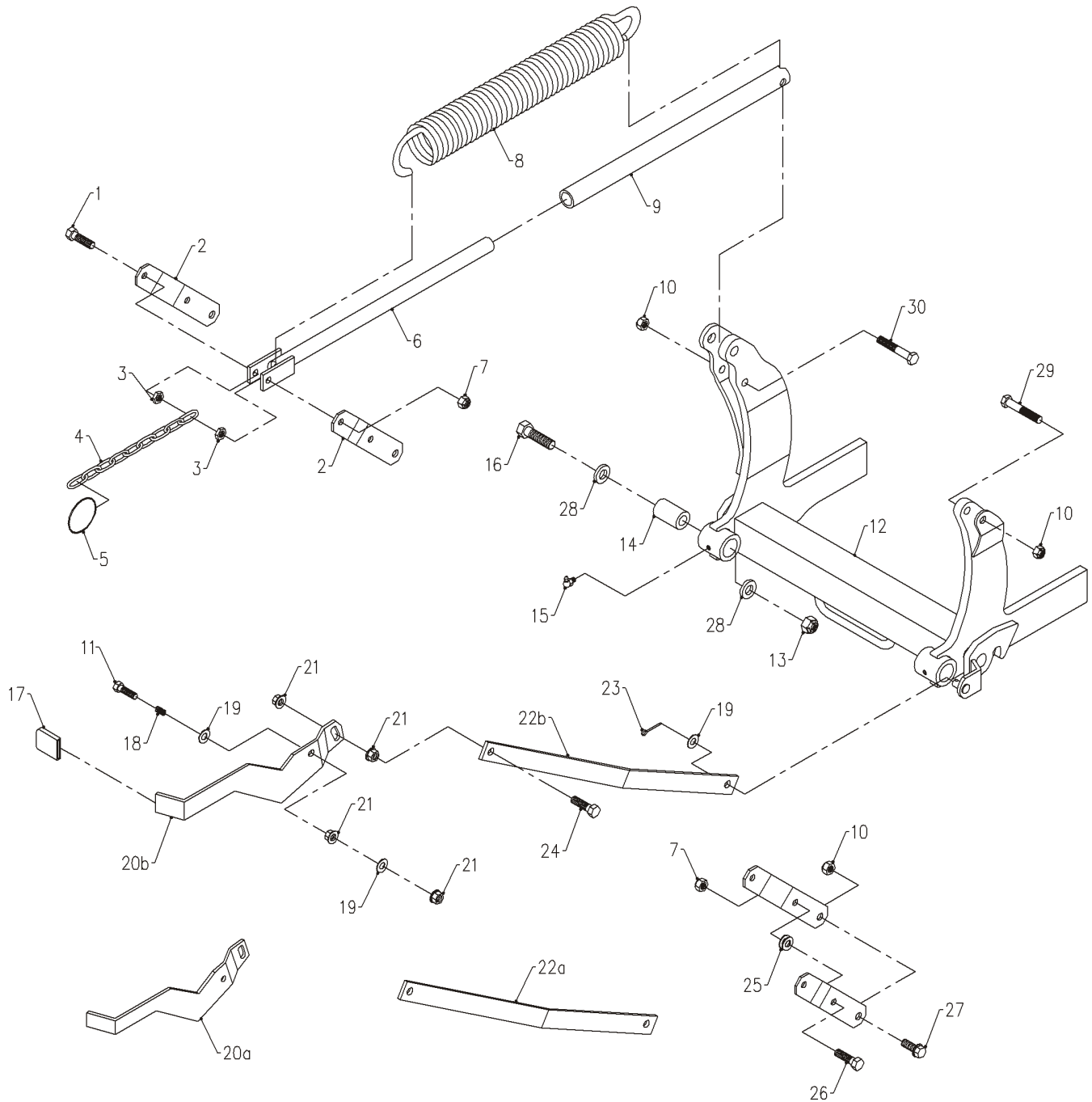
FRAME, SHEET METAL

FRONT FRAME, LOWER (Serial # 1185 -)

REF.	PART NO.	DESCRIPTION	QTY.
1	99.A10NF	LOCKNUT, STOVER 5/8-18 SAE	2
2	62.0903	FRAME, FRONT CONN. LINK ANCHOR	1
3	95.10	WASHER, FLAT 5/8 SAE	3
4	96.10	WASHER, LOCK 5/8	6
5	90.1010	BOLT, 5/8-11 USS X 1 1/4	6
6	91.1018	BOLT, 5/8-18 SAE X 2 1/4	1
7	64.0708	SKID PLATE, BOTTOM RIGHT	1
8	42.0438	LINK, FRONT/REAR CONNECTOR	1
9	99.SF06	NUT, SF 3/8-16 USS	3
10	64.0709	SKID PLATE, BOTTOM LEFT	1
11	99.SF08	NUT, SF 1/2-13 USS	4
12	62.0902	FRAME, CROSS MEMBER	1
13	64.1018	SUPPORT, BELLY BAR	1
14	99.SF0606	BOLT, SF 3/8-16 USS X 3/4	1
15	95.08	WASHER, FLAT 1/2 SAE	6
16	90.0808	BOLT, 1/2-13 USS X 1	6
17	91.1016	BOLT, 5/8-18 SAE X 2	1
18	96.08	WASHER, LOCK 1/2	2
19	99.SF0608	BOLT, SF 3/8-16 USS X 1	2

FRAME, SHEET METAL

ILLUSTRATED DRAWING FRONT HITCH & WEIGHT TRANSFER



FRAME, SHEET METAL

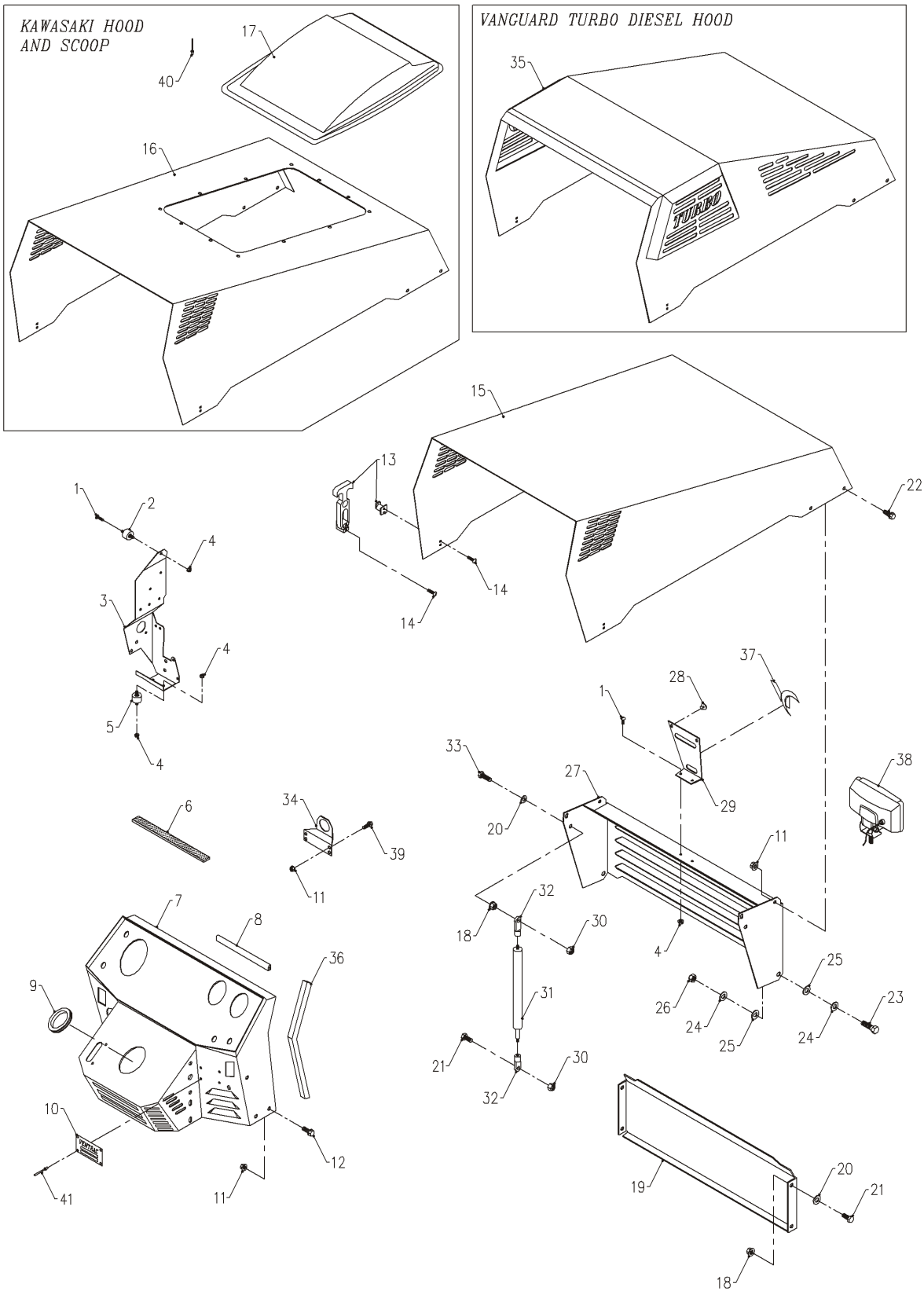
FRONT HITCH & WEIGHT TRANSFER

REF.	PART NO.	DESCRIPTION	QTY.
1	90.0516	BOLT, 5/16-18 USS X 2	2
2	42.0440	LINK, WEIGHT TRANSFER KT	4
3	99.E0037	NUT, JAM 3/8-16 USS	4
4	81.0139	CHAIN, 3/16 X 10 LINKS-9-3/4"	2
5	04.0021	RING, SPLIT 1.640 OD .168W ZP	2
6	42.0436	RODS, INTERNAL WEIGHT TRANSFER	2
7	99.A05	LOCKNUT, STOVER 5/16-18 USS	4
8	41.0068	SPRING, EXT 2-1/4 OD X 14-1/2"	2
9	42.0435	PIPES, WEIGHT TRANSFER KT	2
10	99.A06	LOCKNUT, STOVER 3/8-16 USS	4
11	90.0616	BOLT, 3/8-16 USS X 2	1
12a	70.4065	KIT, FRONT HITCH REPLACEMENT (Serial # 1001-2490)	1
12b	62.1249	FRAME, FRONT HITCH KT (Serial # 2491 -)	1
13	99.A08	LOCKNUT, STOVER 1/2-13 USS	2
14	64.0720	BUSHING, .516 X 1.000 X 1.625	2
15	29.GF0002	GREASE FTG, 1/4 SAE 90	2
16	90.0822	BOLT, 1/2-13 USS X 2 3/4	2
17	06.0051	CAP, 3/16 X 15/16 X 1-3/4 FE	1
18	41.0039	SPRING, COMP. 9/16 OD X 5/8	1
19	95.06	WASHER, FLAT 3/8 SAE	3
20a	40.0297	HANDLE, FRONT HITCH LATCH KT (Serial # 1001-1235)*	1
20b	40.0306	HANDLE, LATCH- FRONT HITCH (Serial # 1236 -)*	1
21	99.SF06	NUT, SF 3/8-16 USS	4
22a	42.0439	LINK, CONNECT. FOR QUICK HITCH (Serial # 1001-1235)*	1
22b	42.0456	LINK, CONNECTING FOR FRT HITCH (Serial # 1236 -)*	1
23	02.CP0506	COTTER PIN, 5/32 X 3/4	1
24	90.0610	BOLT, 3/8-16 USS X 1 1/4	1
25	94.05	WASHER, FLAT 5/16 USS	4
26	90.0508	BOLT, 5/16-18 USS X 1	2
27	99.SF0608	BOLT, SF 3/8-16 USS X 1	2
28	99.B0092	WASHER, 17/32ID X 1"OD X .165	4
29a	90.0614	BOLT, 3/8-16 USS X 1 3/4 (Serial # 1001-2490)	1
29b	90.0618	BOLT, 3/8-16 USS X 2 1/4 (Serial # 2491 -)	1
30a	90.0616	BOLT, 3/8-16 USS X 2 (Serial # 1001-2490)	1
30b	90.0618	BOLT, 3/8-16 USS X 2 1/4 (Serial # 2491 -)	1

*All turbo diesel equipped tractors use part numbers 40.0306 and 42.0456.

FRAME, SHEET METAL

ILLUSTRATED DRAWING HOOD, GRILL, & DASH



FRAME, SHEET METAL

HOOD, GRILL, & DASH

REF.	PART NO.	DESCRIPTION	QTY.
1	99.K0062	MACHINE SCREW, #10-32 X 1/2	9
2	05.0081	ISOLATOR, 10-32 X 1/2 X 5/8	1
3	64.0922	MOUNT, ELECTRICAL PANEL.	1
4	99.E0035	NUT, SF #10-32.	13
5	05.0075	ISOLATOR, 10-32 X 1/2 X 5/8	2
6	06.0045-40IN^	WEATHERSTRIP, 1/8 X 3/4 X 40" (Van. Gas & Natural Diesel)	1
6	06.0045-17.25IN^^	WEATHERSTRIP, 1/8 X 3/4 X 17-1/4" (Turbo Diesel)	1
7	62.0904	DASH, BASIC	1
8	06.0042-48IN	TRIM, TRIM LOC 1/2 X 1/16 X 48"	1
9	05.0080	GROMMET, 2-3/4ID,3-5/8OD,5/16T	1
10.	not available	DECAL, VENTRAC SERIAL NO. PLT.	1
11.	99.SF04	NUT, SF 1/4-20 USS	14
12.	99.SF0405-1	BOLT, SF 1/4-20 X 5/8 W/RUBBER	8
13.	47.0127	LATCH, RUBBER DRAW T-HANDLE	2
14.	99.K0072	MACHINE SCREW, 10-24 X 1/2 ZP	6
15.	60.0811^	HOOD, FOR. TILT VANG.KT (Vanguard Gas & Natural Diesel)	1
15.	60.0867^^	HOOD, KT FOR RADIATOR 47.0224 (Vanguard Gas & Natural Diesel).	1
16.	60.0809	HOOD, FORWARD TILT W/SCOOP KT (Kawasaki).	1
17.	47.0197	SCOOP, HOOD (Kawasaki)	1
18.	99.SF05	NUT, SF 5/16-18 USS	5
19.	60.0804	BUMPER, FRONT	1
20.	95.05	WASHER, FLAT 5/16 SAE	5
21.	90.0506	BOLT, 5/16-18 USS X 3/4	5
22.	99.SF0404-1	BOLT, SF 1/4-20 X 1/2 W/RUBBER	4
23.	90.0608	BOLT, 3/8-16 USS X 1	2
24.	95.06	WASHER, FLAT 3/8 SAE.	4
25.	05.0083	WASHER,PVC.375 ID X.875 X .062	4
26.	99.A06	LOCKNUT, STOVER 3/8-16 USS	2
27.	60.0803	GRILL, FRONT KT4200	1
28.	05.0062	BUMPER, RUBBER SOLID STEM.	2
29.	60.0805	GRILL, FILLER KT	1
30.	99.A05	LOCKNUT, STOVER 5/16-18 USS.	2
31.	47.0184	SHOCK, GAS SPRING .59 DIA 20#	1
32.	47.0103	END FITTING, EYELET - M6 MALE	2
33.	90.0508	BOLT, 5/16-18 USS X 1	1
34.	64.1047	BRACKET, ALARM MOUNT	1
35.	60.0846	HOOD, KT TURBO.	1
36.	06.0055-12IN^^	WEATHERSTRIP, 3/8 X 3/4 X 12" (Van. Gas & Diesel)	2
36.	06.0053-12IN	WEATHERSTRIP, 9/16 X 3/4 X 12" (Turbo Diesel only)	2
37.	00.0210	DECAL, V-DECAL 3D	1
38.	33.0043	LIGHT, HEAD 12V 55W HALOGEN	1
39.	99.SF0404	BOLT, SF 1/4-20 X 1/2	2
40.	04.0003	RIVET, POP 1/8 X 3/8.	12
41.	04.0007	RIVET, POP DOME 1/8 X 1/8 S.S.	4

^Used with Vanguard natural diesel engines through serial # UBB1437.

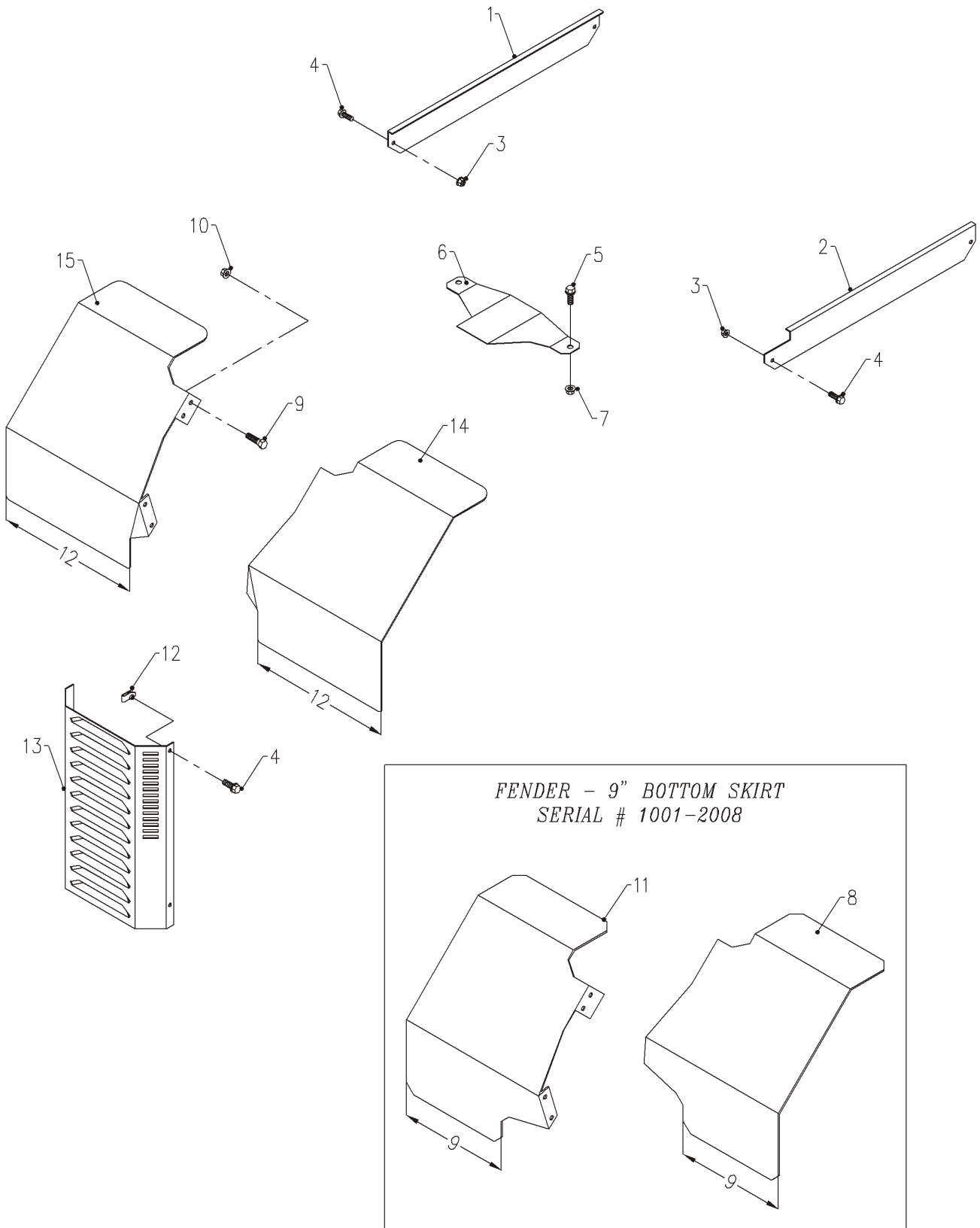
^Used with Vanguard gas engines through serial # VBB1513.

^^Used with Vanguard natural diesel engines serial # UBB1438 -.

^^Used with Vanguard gas engines serial # VBB1514 -.

FRAME, SHEET METAL

ILLUSTRATED DRAWING SHIELDS & FENDERS



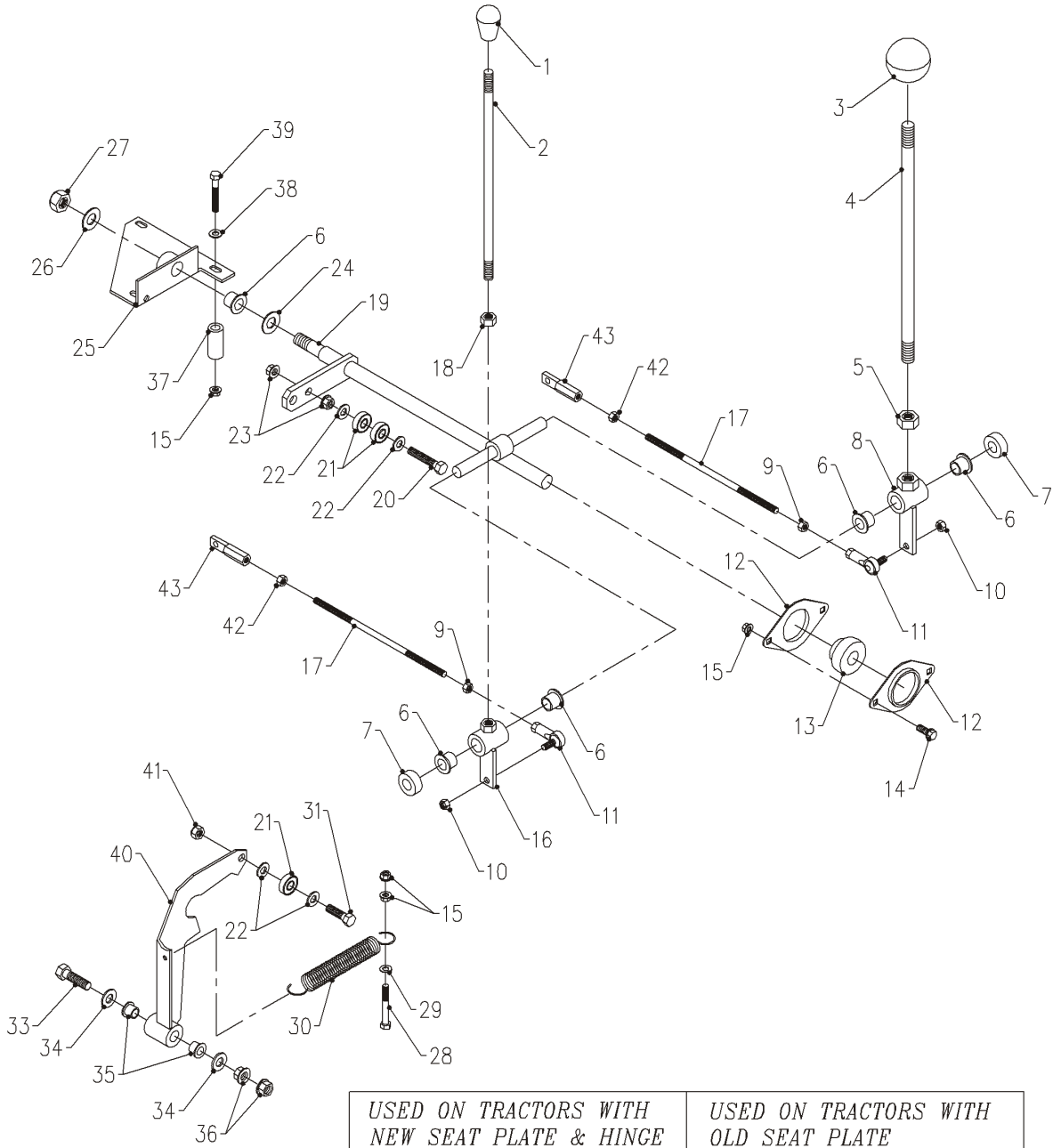
FRAME, SHEET METAL

SHIELDS & FENDERS

REF.	PART NO.	DESCRIPTION	QTY.
1	60.0806	COVER, TRANSFER SPRNG LEFT SID	1
2	60.0807	COVER, TRANSFER SPRG, RT SIDE.	1
3	99.SF04	NUT, SF 1/4-20 USS	4
4	99.SF0405-1	BOLT, SF 1/4-20 X 5/8 W/RUBBER	8
5	99.SF0606	BOLT, SF 3/8-16 USS X 3/4	2
6	60.0820	COVER, DRIVE LINE KAWASAKI	1
7	99.SF06	NUT, SF 3/8-16 USS	2
8	60.0677	FENDER, FRONT RIGHT - WHEEL (Serial # 1001-2008)	1
9	90.0506	BOLT, 5/16-18 USS X 3/4	8
10	99.SF05	NUT, SF 5/16-18 USS	8
11	60.0678	FENDER, FRONT LEFT - WHEEL (Serial # 1001-2008)	1
12	99.E0046	NUT, "U" 1/4-20 EXTRUDED	4
13	60.0808	COVER, PUMP KT.	1
14	60.0891	FENDER, FRONT RIGHT 12" BOTTOM (Serial # 2009 -)	1
15	60.0892	FENDER, FRONT LEFT 12" BOTTOM (Serial # 2009 -)	1

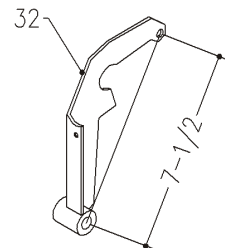
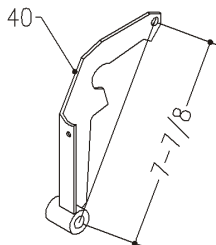
CONTROLS & LINKAGE

ILLUSTRATED DRAWING HAND CONTROLS, REAR



USED ON TRACTORS WITH
NEW SEAT PLATE & HINGE
SERIAL # 1545--

USED ON TRACTORS WITH
OLD SEAT PLATE
SERIAL # 1001-1544



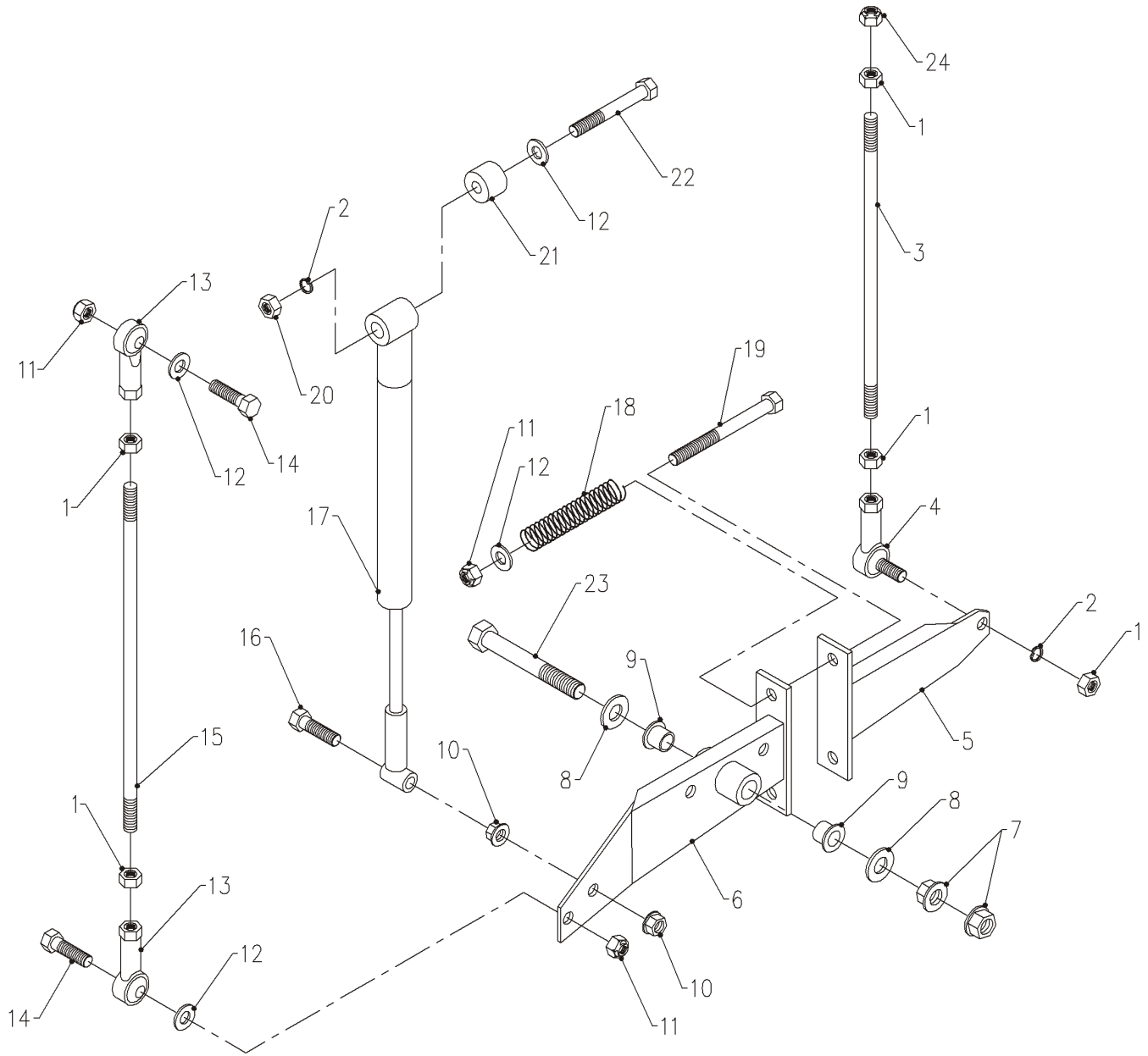
CONTROLS & LINKAGE

HAND CONTROLS, REAR

REF.	PART NO.	DESCRIPTION	QTY.
1	47.0001	KNOB, SM. #80 3/8-16 THREAD	1
2	40.0241	HANDLE, AUX CONTROL YZP	1
3	47.0003	KNOB, ROUND 2" X 1/2-13	1
4	40.0240	HANDLE, F/R CONTROL YZP	1
5	92.08-4	NUT, 1/2-13 YELLOW ZP	1
6	85.B0027	BUSHING, 1/2 ID X 5/8 OD X 5/8	5
7	85.SC08	SET COLLAR, 1/2"	2
8	42.0400	ARM, PIVOT LIFT HYD. VALVE	1
9	93.04	NUT, 1/4-28 SAE	2
10	99.A04NFN	LOCKNUT, NYLON 1/4-28	2
11	43.004S	ROD END, 1/4 SPHERICAL W/STUD	2
12	55.0028	FLANGE, BRG MNT 1.573/1.577 ID	2
13	55.0029	BEARING, SPHERICAL UHMW 5/8 ID	1
14	99.SF0406	BOLT, SF 1/4-20 X 3/4	2
15	99.SF04	NUT, SF 1/4-20 USS	4
16	42.0399	ARM, PIVOT AUX. HYD. VALVE	1
17	42.0472	ROD, THREAD 1/4-28X8"RH/LH YZP	2
18	92.06-4	NUT, 3/8-16 YELLOW ZP	1
19	42.0389	ROD, TORSION F/R ARM	1
20	90.0512	BOLT, 5/16-18 USS X 1 1/2	1
21	55.0022	BEARING, BALL .315 IDX.8661 OD	3
22	95.05	WASHER, FLAT 5/16 SAE	4
23	99.SF05	NUT, SF 5/16-18 USS	2
24	95.08	WASHER, FLAT 1/2 SAE	1
25	64.0684	PLATE, VALVE - F/R ARM ANCHOR	1
26	05.0052	WASHER, PLASTIC	1
27	99.A08	LOCKNUT, STOVER 1/2-13 USS	1
28	90.0410	BOLT, 1/4-20 USS X 1 1/4	1
29	94.04	WASHER, FLAT 1/4 USS	1
30	41.0020	SPRING, 4 1/4-EXT .765 OD	1
31	90.0508	BOLT, 5/16-18 USS X 1	1
32	40.0252	ARM, F/R LEVER LOCK (Serial # 1001-1544)	1
33	90.0620	BOLT, 3/8-16 USS X 2 1/2	1
34	95.06	WASHER, FLAT 3/8 SAE	2
35	85.B0068	BUSHING, 3/8 X 1/2 OD X 5/8 LG	2
36	99.SF06	NUT, SF 3/8-16 USS	2
37	64.0719	SPACER, VALVE PLATE	1
38	95.04	WASHER, FLAT 1/4 SAE	3
39	90.0418	BOLT, 1/4-20 USS X 2 1/4	3
40	40.0317	ARM, F/R LEVER LOCK KT (Serial # 1545 -)	1
41	99.A05	LOCKNUT, STOVER 5/16-18 USS	1
42	99.E0081	NUT, 1/4-28 LH GRADE 8 YZ	2
43	43.004-4	ROD END, 1/4-28LH YZP VAL CTRL	2

CONTROLS & LINKAGE

ILLUSTRATED DRAWING FORWARD/REVERSE ROCKER



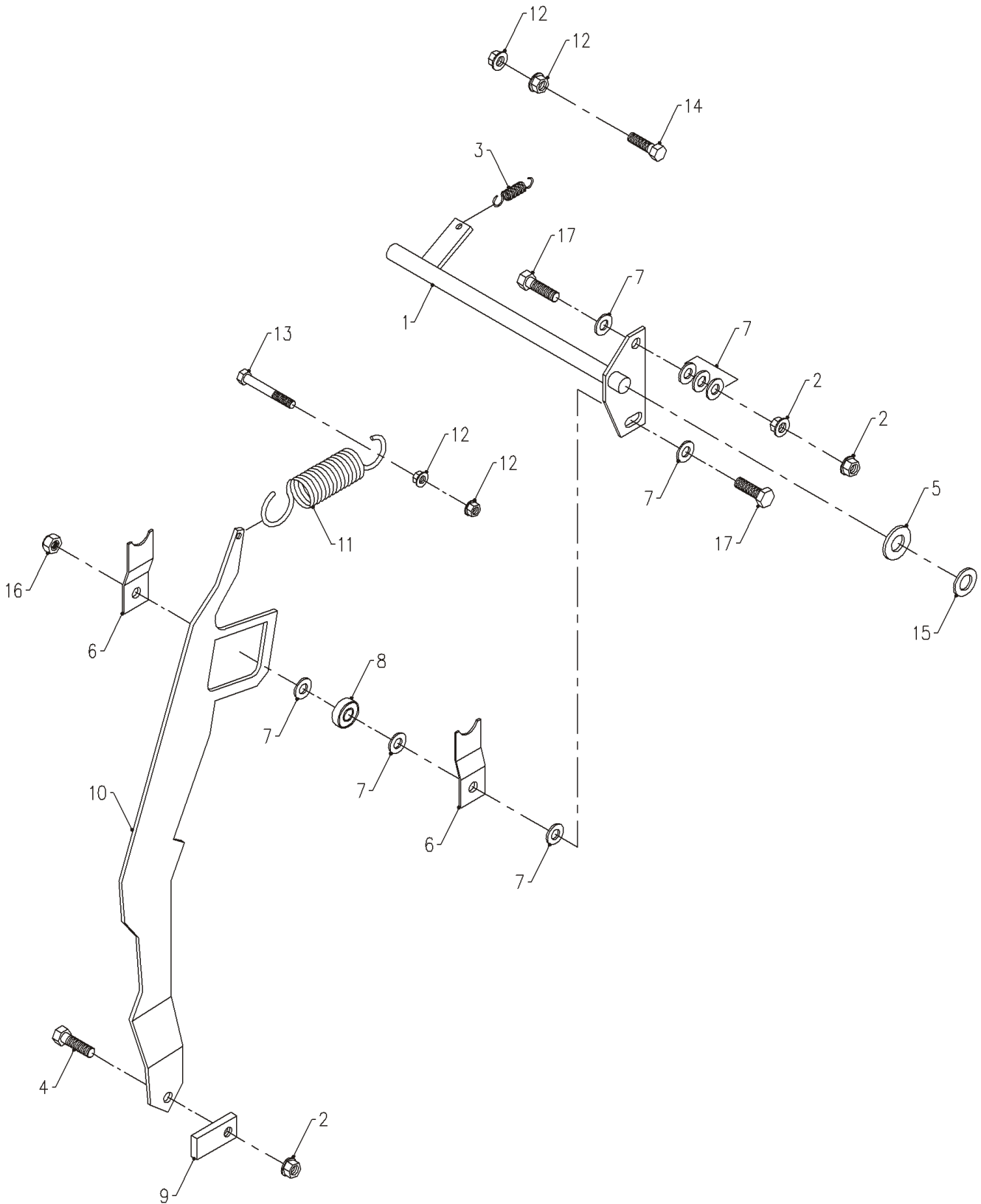
CONTROLS & LINKAGE

FORWARD/REVERSE ROCKER

REF.	PART NO.	DESCRIPTION	QTY.
1	93.06	NUT, 3/8-24 SAE	5
2	96.06	WASHER, LOCK 3/8	2
3	42.0393	LINK, CENTER F/R ROCKER ROD ZP	1
4	43.006S	ROD END, 3/8 SPHERICAL W/STUD	1
5	40.0269	ARM, ROCKER F/R LEVER FRONT PC	1
6	40.0268	ARM, ROCKER F/R LEVER REAR PC	1
7	99.SF08	NUT, SF 1/2-13 USS	2
8	95.08	WASHER, FLAT 1/2 SAE	2
9	85.B0027	BUSHING, 1/2 ID X 5/8 OD X 5/8	2
10	99.SF06	NUT, SF 3/8-16 USS	2
11	99.A06	LOCKNUT, STOVER 3/8-16 USS	4
12	95.06	WASHER, FLAT 3/8 SAE	5
13	43.006	ROD END, 3/8 SPHERICAL	2
14	90.0610	BOLT, 3/8-16 USS X 1 1/4	2
15	42.0392	LINK, REAR F/R ROCKER ROD YZP	1
16	90.0612	BOLT, 3/8-16 USS X 1 1/2	1
17	47.0002	STABILIZER, STEERING DAMP	1
18	41.0063	SPRING, COMP. 3/4 OD X 4" LG	2
19	90.0628	BOLT, 3/8-16 USS X 3 1/2	2
20	92.06	NUT, 3/8-16 USS	1
21	64.0722	BUSHING, F/R / SHOCK MOUNT	1
22	90.0620	BOLT, 3/8-16 USS X 2 1/2	1
23	90.0830	BOLT, 1/2-13 USS X 3-3/4	1
24	99.A06NFN	LOCKNUT, NYLON 3/8-24 SAE ZP	1

CONTROLS & LINKAGE

ILLUSTRATED DRAWING NEUTRAL POSITION ASSEMBLY



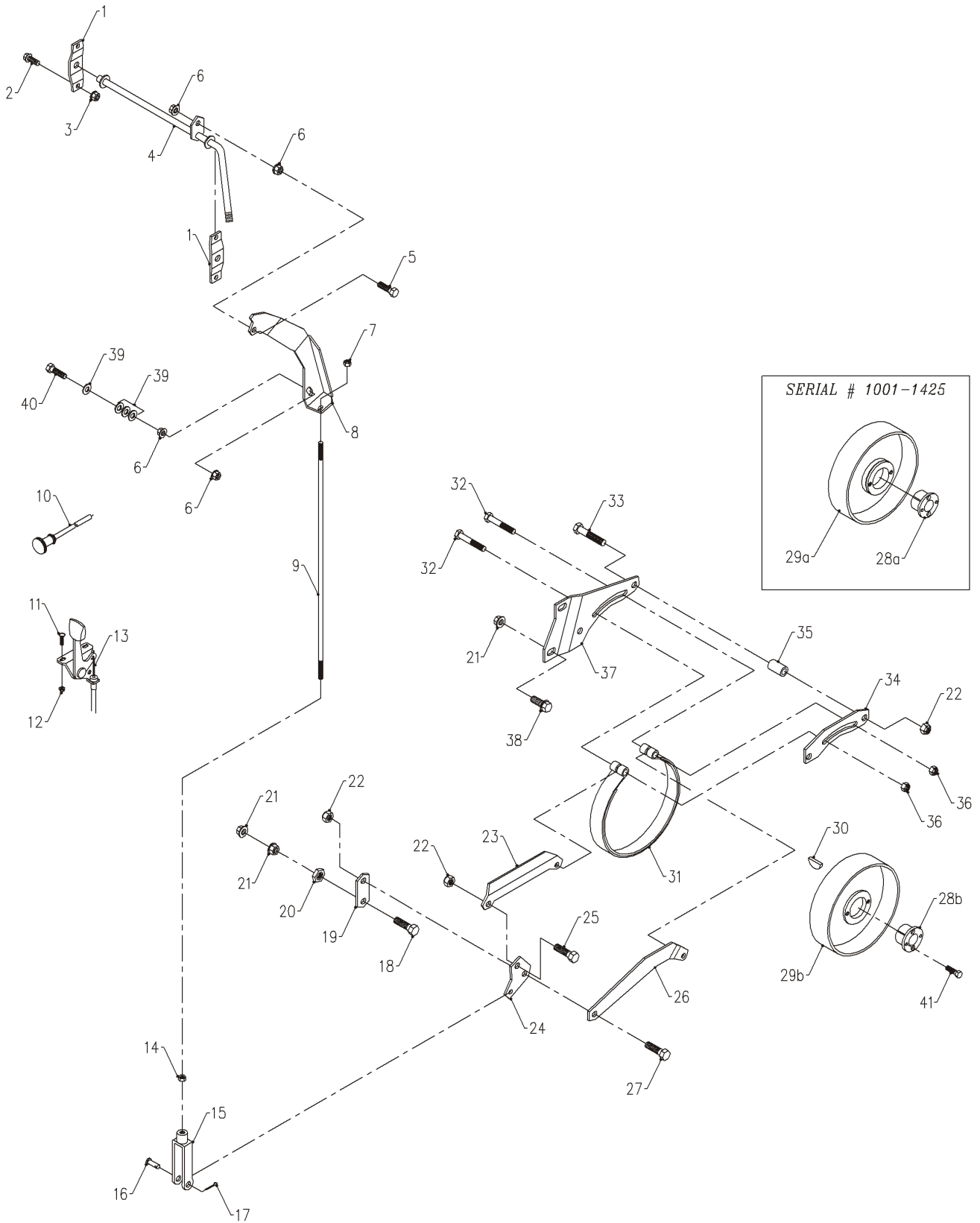
CONTROLS & LINKAGE

NEUTRAL POSITION ASSEMBLY

REF.	PART NO.	DESCRIPTION	QTY.
1	40.0298	ARM, ROCKER-NEUTRAL BRG MNT KT	1
2	99.SF05	NUT, SF 5/16-18 USS	3
3	41.0059	SPRING, EXT. 5/16 OD X 1-1/2	1
4	90.0508	BOLT, 5/16-18 USS X 1	1
5	05.0052	WASHER, PLASTIC	1
6	64.0690	CLIP, ALIGNMENT-NEUTRAL BRG	2
7	95.05	WASHER, FLAT 5/16 SAE	8
8	55.0022	BEARING, BALL .315 IDX.8661 OD	1
9	64.0714	NUT, LOCKING NEUTRAL ADJUSTER	1
10	42.0398	ARM, NEUTRAL	1
11	41.0060	SPRING, EXT. 1" OD X 2-1/2 LG.	1
12	99.SF04	NUT, SF 1/4-20 USS	4
13	90.0410	BOLT, 1/4-20 USS X 1 1/4	1
14	90.0408	BOLT, 1/4-20 USS X 1	1
15	99.B0090	WASHER, MACH 1/2ID 14GA PLATED	1
16	99.A05	LOCKNUT, STOVER 5/16-18 USS.	1
17	90.0510	BOLT, 5/16-18 USS X 1 1/4	2

CONTROLS & LINKAGE

ILLUSTRATED DRAWING PARK BRAKE, THROTTLE, & CHOKE



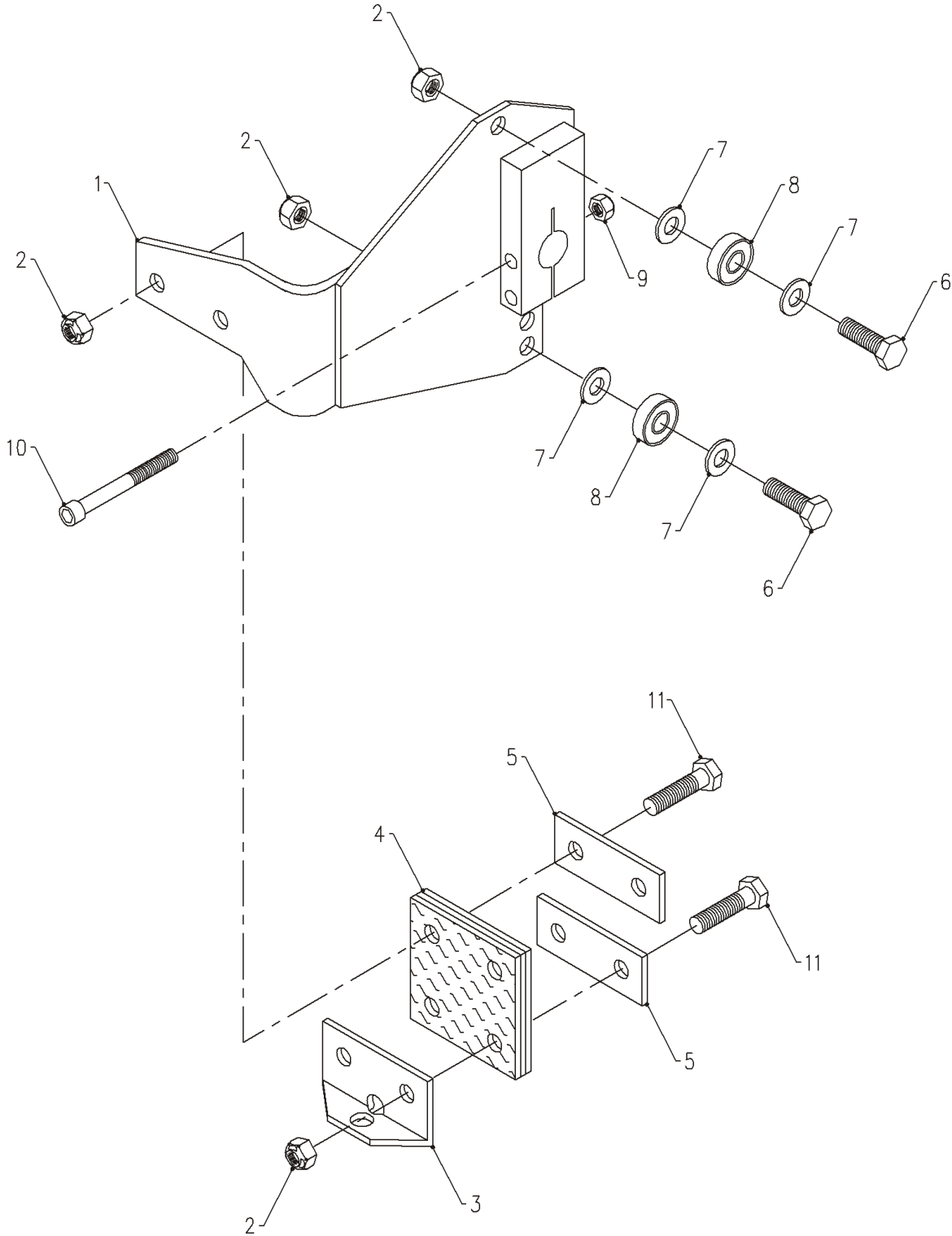
CONTROLS & LINKAGE

PARK BRAKE, THROTTLE, & CHOKE

REF.	PART NO.	DESCRIPTION	QTY.
1	64.0942	PIVOT, PLATE-PARK HANDLE KT.	2
2	99.SF0405-1	BOLT, SF 1/4-20 X 5/8 W/RUBBER	4
3	99.SF04	NUT, SF 1/4-20 USS	4
4	40.0295	HANDLE, PARK BRAKE KT	1
5	90.0508	BOLT, 5/16-18 USS X 1	1
6	99.SF05	NUT, SF 5/16-18 USS	4
7	99.A04NFN	LOCKNUT, NYLON 1/4-28	1
8	42.0444	LINK, BRAKE PULL BAR KT.	1
9	42.0394	LINK, BRAKE.	1
10	47.0121	CABLE, CHOKE 60" LONG, 2" Trav	1
11	99.K0062	MACHINE SCREW, #10-32 X 1/2	2
12	99.E0035	NUT, SF #10-32	2
13	47.0179	CABLE, THROTTLE 40" 1-5/8 TRAV	1
14	93.04	NUT, 1/4-28 SAE	1
15	43.C04-28	CLEVIS END, 1/4-28	1
16	03.040638	CLEVIS PIN, 1/4 X 51/64	1
17	02.CP0306	COTTER PIN, 3/32 X 3/4	1
18	90.0612	BOLT, 3/8-16 USS X 1 1/2	1
19	42.0443	LINK, BRAKE TORQUE KT	1
20	99.E0058	NUT, JAM 1/2-13 USS	1
21	99.SF06	NUT, SF 3/8-16 USS	4
22	99.A06	LOCKNUT, STOVER 3/8-16 USS	4
23	42.0442	LINK, BRAKE PUSH KT	1
24	64.0919	ROCKER, BRAKE KT	1
25	90.0606	BOLT, 3/8-16 USS X 3/4	1
26	42.0441	LINK, BRAKE PULL KT	1
27	90.0608	BOLT, 3/8-16 USS X 1	1
28a	82.0086	BUSHING, 1" G-HUB 3/16 KEY (Serial # 1001-1425)	1
28b	83.H16S-1	BUSHING, 1" SPLIT 3/16" KEY (Serial # 1426 -)	1
29a	50.0045	DRUM, 6" BRAKE -W/TAPER HUB (Serial # 1001-1425)	1
29b	50.0064	DRUM, 6" BRAKE -W/TAPER HUB (Serial # 1426 -)	1
30	85.W0306	KEY, WOODRUFF 3/16" X 3/4"	1
31	53.0076	BAND, BRAKE FOR 6" DRUM	1
32	90.0516	BOLT, 5/16-18 USS X 2	2
33	90.0616	BOLT, 3/8-16 USS X 2	2
34	64.0920	PLATE, BRAKE ANCHOR OUTER	1
35	64.0718	SPACER, BRAKE	2
36	99.A05	LOCKNUT, STOVER 5/16-18 USS	2
37	64.0921	PLATE, BRAKE ANCHOR INNER	1
38	99.SF0606	BOLT, SF 3/8-16 USS X 3/4	2
39	95.05	WASHER, FLAT 5/16 SAE	4
40	90.0510	BOLT, 5/16-18 USS X 1 1/4	1
41	99.K0099	BOLT, 1/4-20 X 1" GRD 8	2

CONTROLS & LINKAGE

ILLUSTRATED DRAWING PUMP CONTROL ARM



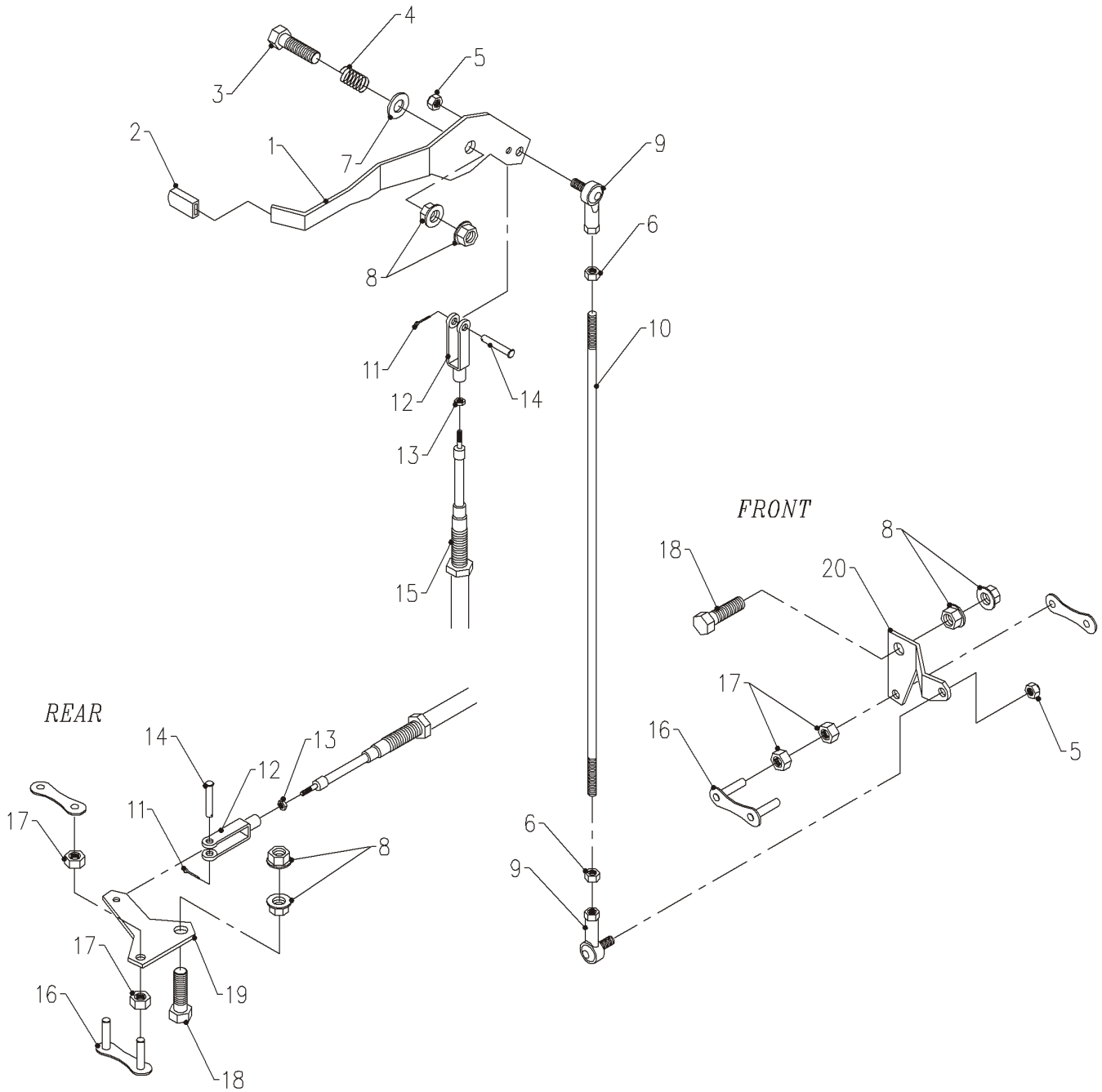
CONTROLS & LINKAGE

PUMP CONTROL ARM

REF.	PART NO.	DESCRIPTION	QTY.
1	40.0253	ARM, CONTROL-SWASH PLATE	1
2	99.A05	LOCKNUT, STOVER 5/16-18 USS.	6
3	64.0764	BRACKET, CONNECTOR	1
4	44.0161	LINK, RUBBER FOR SHIFT LINKAGE	1
5	64.0763	CLAMP, RUBBER CONNECTOR	2
6	90.0508	BOLT, 5/16-18 USS X 1	2
7	95.05	WASHER, FLAT 5/16 SAE	4
8	55.0022	BEARING, BALL .315 IDX.8661 OD	2
9	99.A04NFN	LOCKNUT, NYLON 1/4-28	2
10	99.K0076	BOLT, SHCS 1/4-28 X 2 GRADE 8	2
11	90.0510	BOLT, 5/16-18 USS X 1 1/4	4

CONTROLS & LINKAGE

ILLUSTRATED DRAWING HIGH/LOW SHIFT LINKAGE



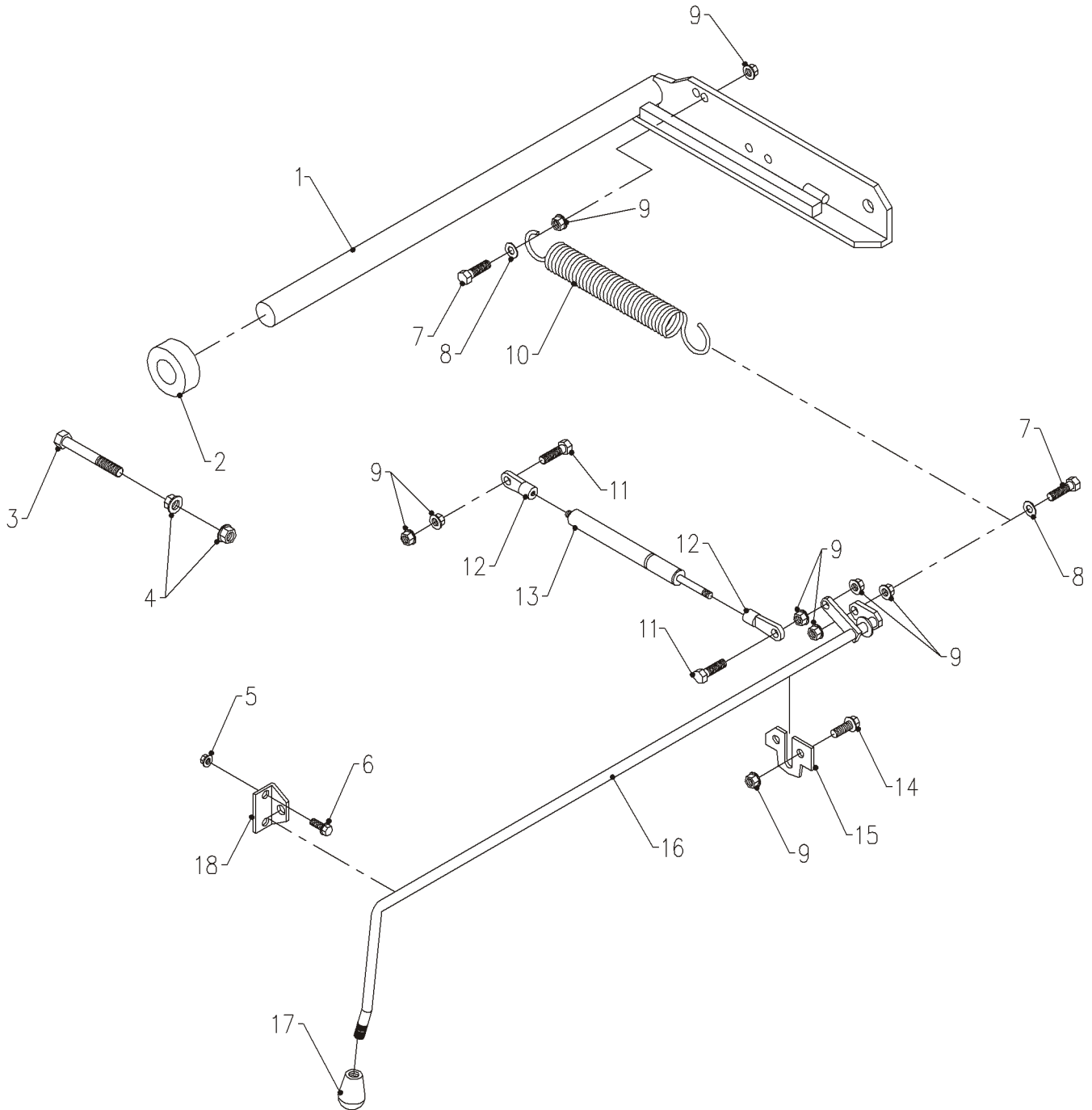
CONTROLS & LINKAGE

HIGH/LOW SHIFT LINKAGE

REF.	PART NO.	DESCRIPTION	QTY.
1	40.0296	HANDLE, HI/LOW SHIFT KT.	1
2	06.0044	CAP, PLASTIC 1/8 X 1/2 X 7/8	1
3	90.0612	BOLT, 3/8-16 USS X 1 1/2	1
4	41.0039	SPRING, COMP. 9/16 OD X 5/8	1
5	99.A04NFN	LOCKNUT, NYLON 1/4-28	2
6	93.04	NUT, 1/4-28 SAE	2
7	95.06	WASHER, FLAT 3/8 SAE	1
8	99.SF06	NUT, SF 3/8-16 USS	6
9	43.004S	ROD END, 1/4 SPHERICAL W/STUD	2
10	42.0437	ROD, HI/LOW TO FRONT AXLE KT.	1
11	02.CP0204	COTTER PIN, 1/16 X 1/2	2
12	43.C10-32-1	CLEVIS END, KIT- #10-32 3/16	2
13	99.E0034	NUT, #10-32	2
14	03.0305	CLEVIS PIN, 3/16 X 5/8 ZP	2
15	47.0122	CABLE, HI-LOW SHIFT HT	1
16	81.0124	LINK, CONN #60 DOUBLE PITCH.	2
17	92.05	NUT, 5/16-18 USS	4
18	90.0610	BOLT, 3/8-16 USS X 1 1/4	2
19	42.0390	ARM, HI/LOW SHIFT ROCKER	1
20	64.0703	PIVOT, PLATE - FRONT SHIFT	1

CONTROLS & LINKAGE

ILLUSTRATED DRAWING BELT TIGHTENER



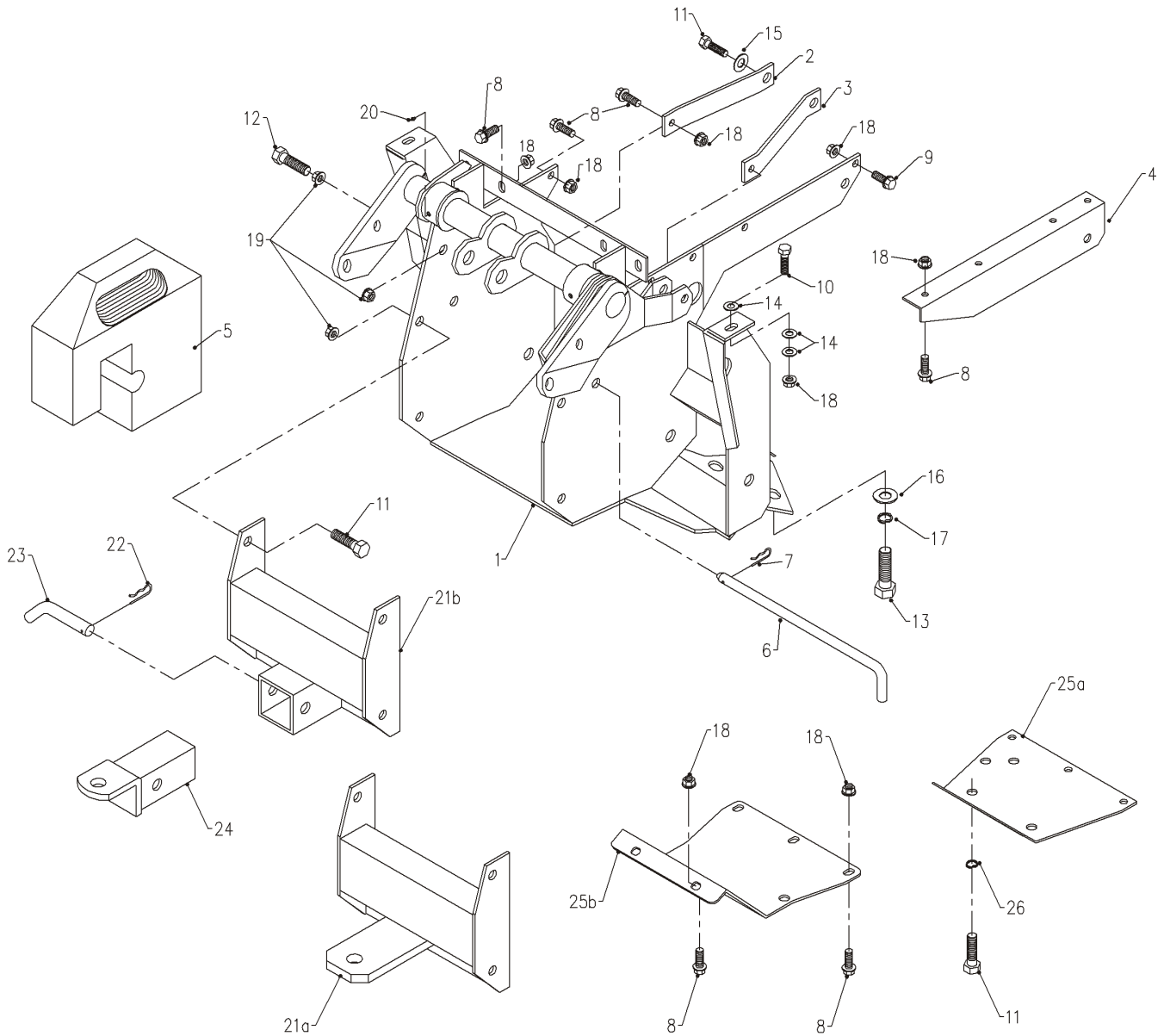
CONTROLS & LINKAGE

BELT TIGHTENER

REF.	PART NO.	DESCRIPTION	QTY.
1	40.0294	ARM, BELT TIGHTENER/DBL PULLEY	1
2	85.SC16-1	SET COLLAR, 1.015"	1
3	90.0620	BOLT, 3/8-16 USS X 2 1/2	1
4	99.SF06	NUT, SF 3/8-16 USS	2
5	99.SF04	NUT, SF 1/4-20 USS	2
6	99.SF0405-1	BOLT, SF 1/4-20 X 5/8 W/RUBBER	2
7	90.0510	BOLT, 5/16-18 USS X 1 1/4	2
8	94.05	WASHER, FLAT 5/16 USS	2
9	99.SF05	NUT, SF 5/16-18 USS	10
10	41.0056	SPRING, EXT 7/8 OD X 8-1/2 LNG	1
11	90.0508	BOLT, 5/16-18 USS X 1	2
12	47.0103	END FITTING, EYELET - M6 MALE	2
13	47.0128	DAMPER, HYDRAULIC .59 50#	1
14	99.SF0506	BOLT, SF 5/16-18 USS X 3/4	2
15	64.0693	BRACKET, FRONT BELT TIGHTENER	1
16	40.0299	LEVER, BELT TIGHTENER KT	1
17	47.0001	KNOB, SM. #80 3/8-16 THREAD	1
18	64.0694	ANCHOR, QUICK HITCH HANDLE-REAR	1

OPTIONS

ILLUSTRATED DRAWING 3 POINT HITCH FRAME



OPTIONS

3 POINT HITCH FRAME

REF.	PART NO.	DESCRIPTION	QTY.
1	62.0791	FRAME, 3-POINT HITCH	1
2	42.0404	LINK, LEFT AXLE TORQUE	1
3	42.0405	LINK, RIGHT AXLE TORQUE	1
4	64.0735	ANCHOR, 3-POINT CYLINDER	1
5	47.0115	WEIGHT, SUITCASE- 42 LBS	3
6	64.0760	PIN, WEIGHT SECURE 11.5 USABLE.	1
7	02.HP0416	HAIRPIN, 1/8 X 2	1
8	99.SF0606	BOLT, SF 3/8-16 USS X 3/4	19
9	99.SF0608	BOLT, SF 3/8-16 USS X 1	2
10	90.0610	BOLT, 3/8-16 USS X 1 1/4	2
11	90.0808	BOLT, 1/2-13 USS X 1	9
12	90.0814	BOLT, 1/2-13 USS X 1 3/4	1
13	90.1010	BOLT, 5/8-11 USS X 1 1/4	6
14	94.06	WASHER, FLAT 3/8 USS	8
15	95.08	WASHER, FLAT 1/2 SAE	2
16	95.10	WASHER, FLAT 5/8 SAE	6
17	96.10	WASHER, LOCK 5/8	6
18	99.SF06	NUT, SF 3/8-16 USS	23
19	99.SF08	NUT, SF 1/2-13 USS	6
20	29.GF0001	GREASE FTG, 1/4 SAE ST	2
21a	62.0885	HITCH BAR, BOLT ON 3 POINT (Standard)	1
21b	62.0978	HITCH BAR, BOLT ON 3PT (Receiver)	1
22	02.HP0524	HAIRPIN, 5/32 X 3"	1
23	03.0014	PIN, HITCH 5/8" X 3" USABLE (includes hairpin)	1
24	62.0968	TUBE, RECEIVER HITCH	1
25a	60.0666	PLATE, REAR AXLE COVER/SKID (Short)	1
25b	60.0913	PLATE, REAR AXLE CVR/SKD W/3PT (Long)	1
26	96.08	WASHER, LOCK 1/2	3

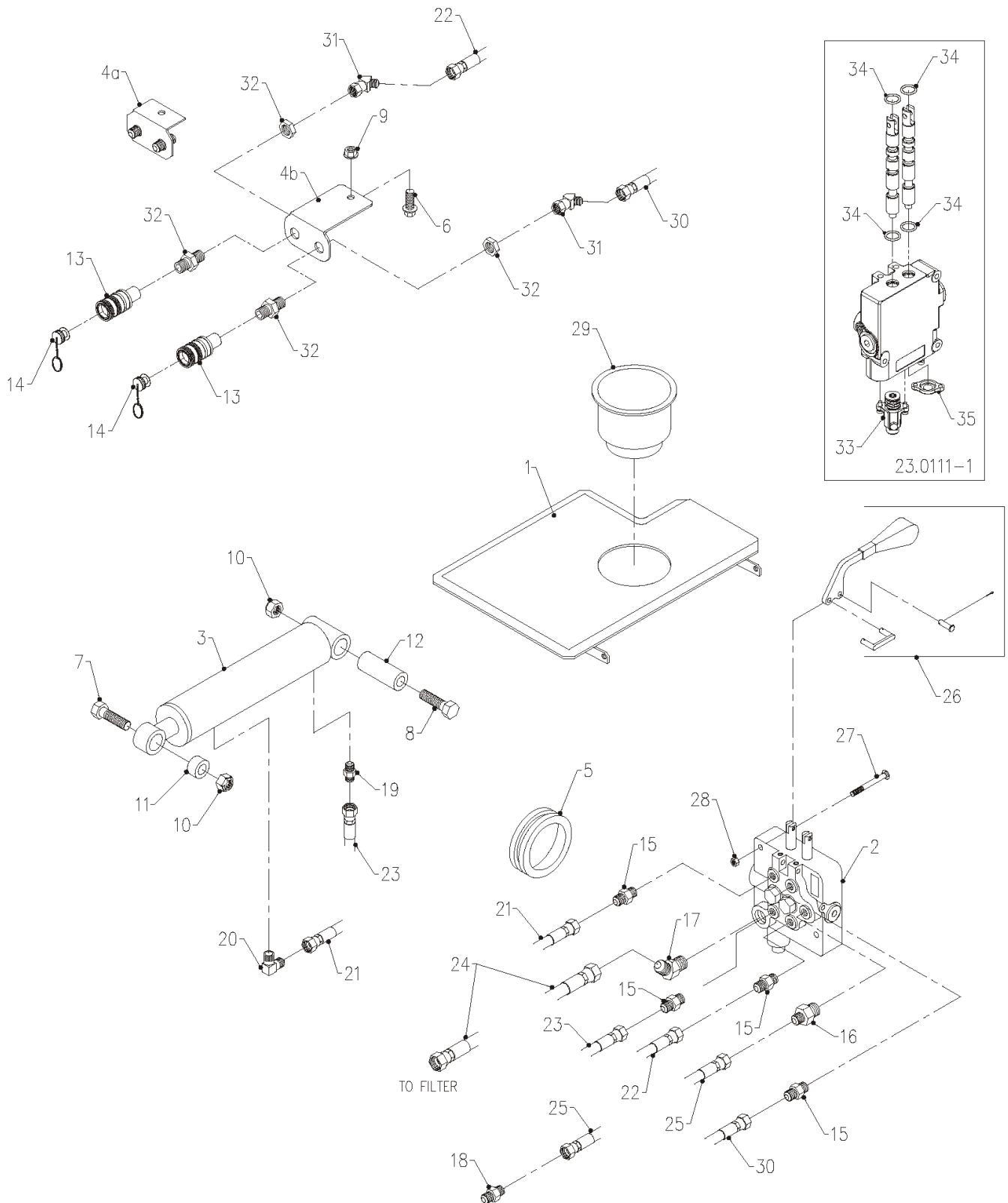
OPTIONS

3 POINT HITCH ARMS

REF.	PART NO.	DESCRIPTION	QTY.
1	62.0792	LIFT ARM, 3-POINT HITCH RIGHT	1
2	62.0793	LIFT ARM, 3-POINT HITCH LEFT	1
3	42.0403	LINK, SWAYBAR 3-POINT MALE	2
4	42.0402	LINK, SWAYBAR 3-POINT FEMALE	2
5	42.0408	LINK, ADJUSTING-CENTER.	2
6	42.0410	LINK, ADJ. YOKE END FOR 42.408.	2
7	42.0409	LINK, ADJ. SWVL END FOR 42.408.	2
8	42.0406	TOP LINK, CAT #1 ADJ.	1
9	03.0004	PIN, TOP LINK CATEGORY 1	1
10	03.0005	PIN, LYNCH	1
11	03.1014	CLEVIS PIN, 5/8 X 1 3/4	2
12	02.CP0508	COTTER PIN, 5/32 X 1.	2
13	03.0001	PIN, SAFETY SNAP 3/8 X 1-3/4	2
14	90.0614	BOLT, 3/8-16 USS X 1 3/4	2
15	90.1018	BOLT, 5/8-11 USS X 2 1/4	2
16	90.1052	BOLT, 5/8-11 USS X 6 1/2	2
17	94.06	WASHER, FLAT 3/8 USS	4
18	95.10	WASHER, FLAT 5/8 SAE	4
19	99.B0061	WASHER, 3/16 X 21/32 X 1 1/32	6
20	64.0759	BUSHING, 3-PT HITCH	2
21	99.A06	LOCKNUT, STOVER 3/8-16 USS	2
22	99.A10	LOCKNUT, STOVER 5/8-11 USS	4
23	47.0136	STRAP, BUNGEE CORD.	1

OPTIONS

ILLUSTRATED DRAWING 3 POINT HITCH HYDRAULICS



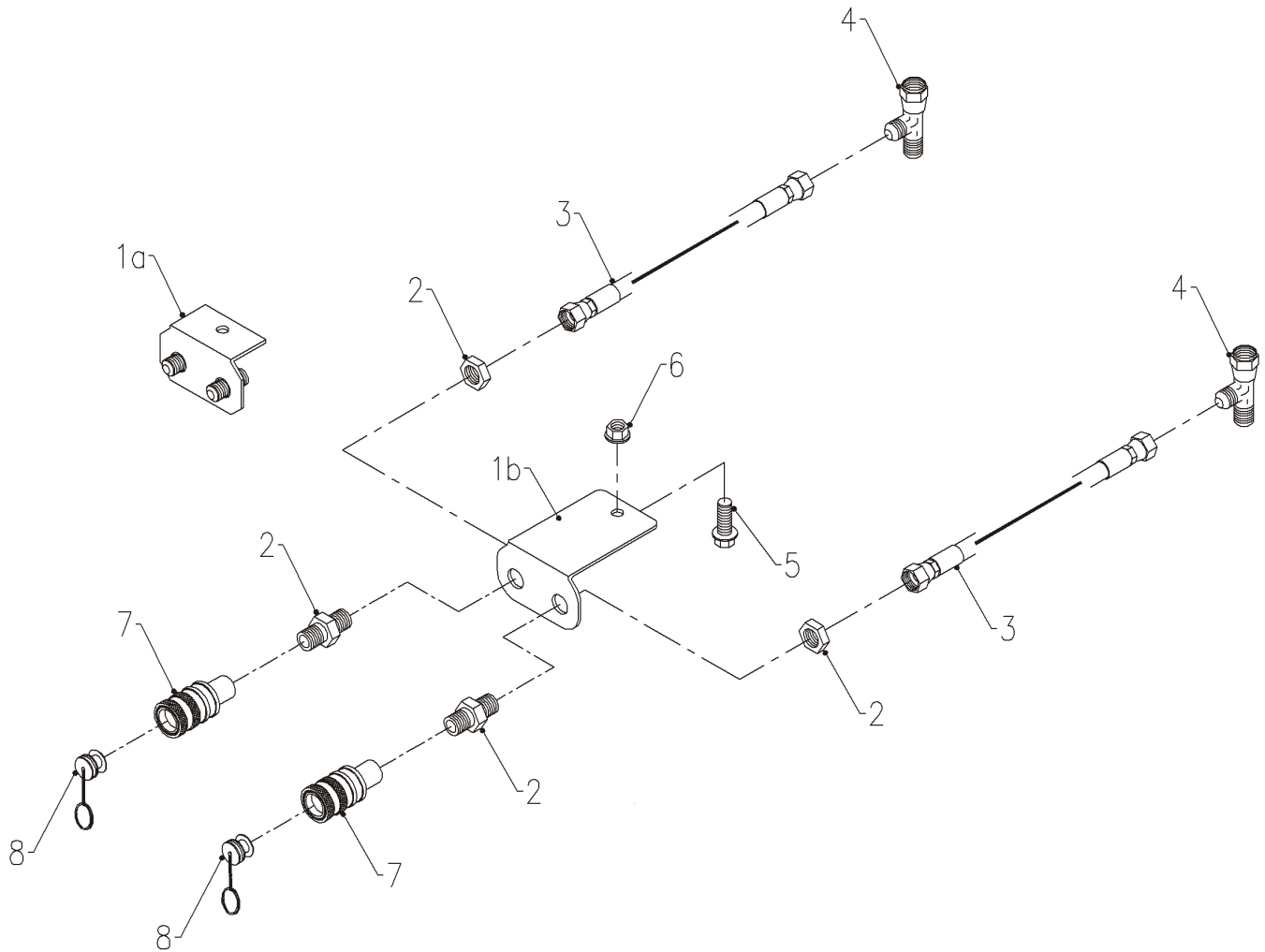
OPTIONS

3 POINT HITCH HYDRAULICS

REF.	PART NO.	DESCRIPTION	QTY.
1	64.0966	LID, TOLLBOX W/AUX VALVE BODY	1
2	23.0111-1	VALVE, HY 2 SPL W/LH FLT,RH SP	1
3	70.4053	KIT, REPLACEMENT, LIFT CYLINDER (Snap Ring End)	1
3	23.0128	CYLINDER, 2" X 8" LIFT	1
4a.	64.0716	BRACKET, QUICK COUPLERS REAR (Welded Fittings)	1
4b.	64.1162	BRACKET, HYD QUICK COUPLER (Bulkhead Fittings)	1
5	05.0056	GROMMET, 2-1/8ID,2-7/8OD,7/16T	1
6	99.SF0506	BOLT, SF 5/16-18 USS X 3/4	1
7	90.0816	BOLT, 1/2-13 USS X 2	1
8	90.0832	BOLT, 1/2-13 USS X 4	1
9	99.SF05	NUT, SF 5/16-18 USS	1
10.	99.A08	LOCKNUT, STOVER 1/2-13 USS	2
11.	64.0749	BUSHING, 33/64 X 1 X 1-1/16	1
12.	64.0675	BUSHING, SWIVEL FRAME SPACER	1
13.	23.0106	COUPLER, HYD. QUICK FEMALE 1/4	2
14.	23.0126	PLUG, NYLON FOR 23.0106	2
15.	25.6400-06-06	FITTING, M CONN 3/8 X 3/8	4
16.	25.6400-06-08	FITTING, M CONN 3/8 X 1/2	1
17.	25.6802-06-08	FITTING, 45 ME 3/8 X 1/2	1
18.	25.2403-06-06	FITTING, UNION 3/8 X 3/8	1
19.	25.2404-06-04	FITTING, M CONN 3/8 X 1/4 (Used with cylinder 3a)	1
19.	25.6400-06-06	FITTING, M CONN 3/8 X 3/8 (Used with cylinder 3b)	1
20.	25.2501-06-04	FITTING, 90 ME 3/8 X 1/4 (Used with cylinder 3a)	1
20.	25.6801-06-06	FITTING, 90 ME 3/8 X 3/8 (Used with cylinder 3b)	1
21.	20.0143	HOSE, ASM X 27" 1/4-1W	1
22.	20.0142	HOSE, ASM X 29" 1/4-1W (Right Side Coupler Bracket)	1
22.	20.0148	HOSE, ASM X 33-1/2" 1/4-1W (Left Side Coupler Bracket)	1
23.	20.0113	HOSE, ASM X 38" 1/4-1W	1
24.	20.0145	HOSE, ASM 3/8X16CPE SAE100R1AT	1
25.	20.0144	HOSE, ASM 3/8X24CPE SAE100R1AT	1
26.	23.0111-5	HANDLE, HYD VALV KIT/23.0111	2
27.	99.K0064	BOLT, BUTTON HEAD 1/4 X 2	2
28.	99.SF04	NUT, SF 1/4-20 USS	2
29.	47.0185	HOLDER, CUP 3.586 OD X3-1/4 DP	1
30.	20.0142	HOSE, ASM X 29" 1/4-1W (Right Side Coupler Bracket)	1
30.	20.0194	HOSE, ASM X 32" 1/4-3000 (Left Side Coupler Bracket)	1
31.	25.6502-06-06	FITTING, 45 MFE 3/8 X 3/8 (Left Side Coupler Bracket)	2
32.	25.2706-04-06LN	FITTING, BULKHEAD W/LOCKNUT (Used with Coupler Bracket 4b)	2
33.	23.0111-7	KIT, SPOOL FLOAT HYD. VALVE	1
34.	26.0027	O-RING, 5/8ID X 13/16OD X 3/32	4
35.	23.0111-8	CAP, VALVE	1

OPTIONS

ILLUSTRATED DRAWING AUXILIARY HYDRAULICS, REAR



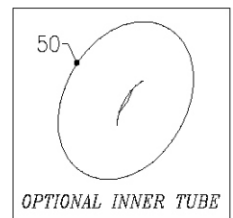
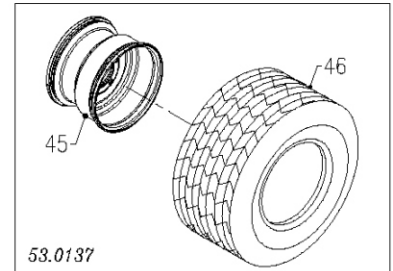
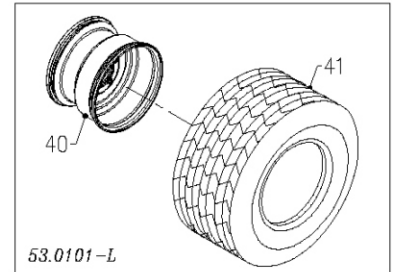
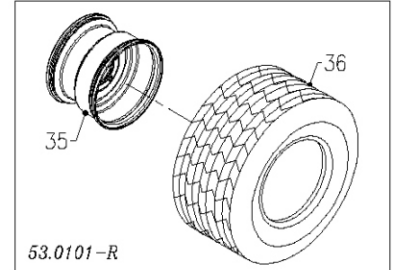
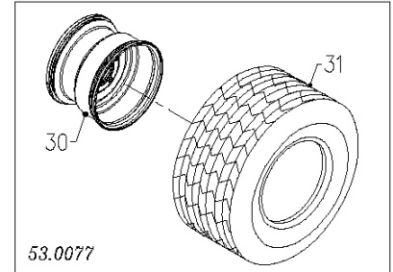
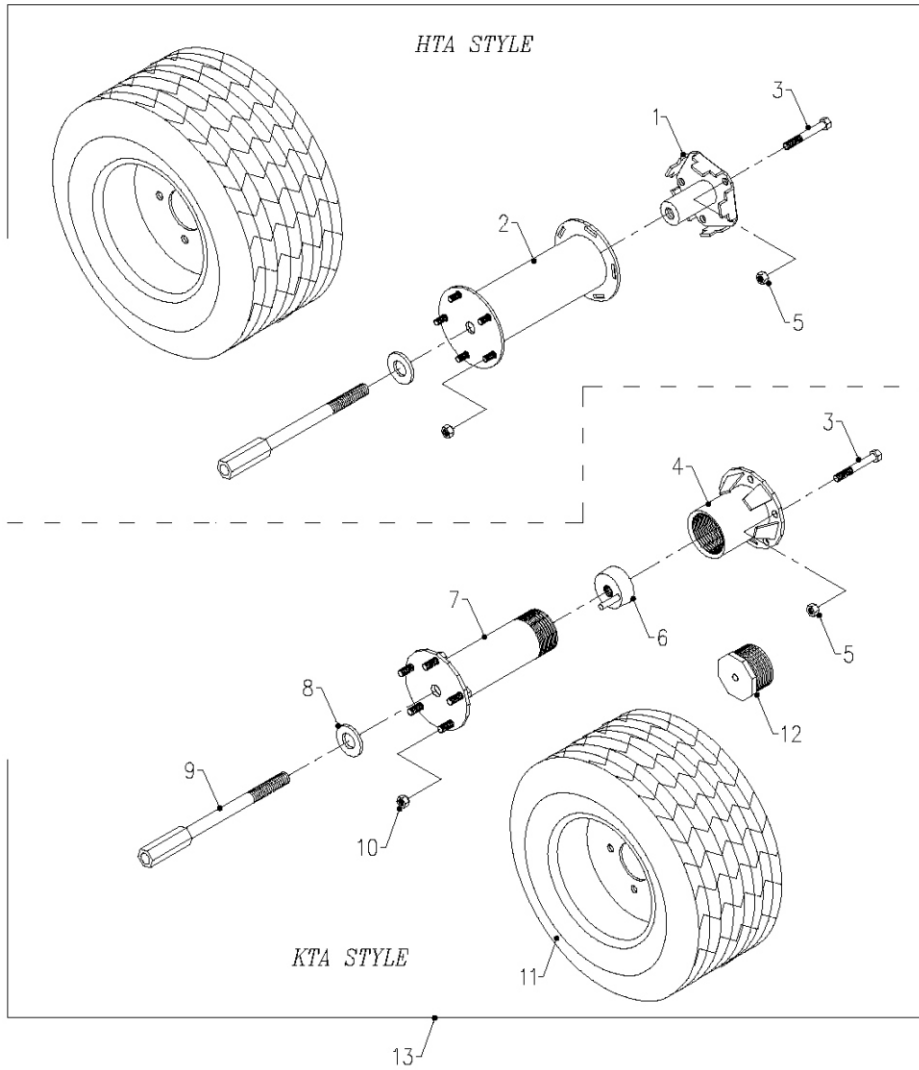
OPTIONS

AUXILIARY HYDRAULICS, REAR

REF.	PART NO.	DESCRIPTION	QTY.
1a.	64.0716.	BRACKET, QUICK COUPLERS REAR (Welded Fittings)	1
1b.	64.1162.	BRACKET, HYD QUICK COUPLER (Bulkhead Fittings)	1
2	25.2706-04-06LN.	FITTING, BULKHEAD W/LOCKNUT (Used with Coupler Bracket 1b)	2
3	20.0149.	HOSE, ASM X 17-1/2" 1/4-1w	2
4	25.6602-6-6-6.	FITTING, TEE SINGLE SWIVEL 3/8	2
5	99.SF0506	BOLT, SF 5/16-18 USS X 3/4	1
6	99.SF0506	BOLT, SF 5/16-18 USS X 3/4	1
7	23.0106.	COUPLER, HYD. QUICK FEMALE 1/4	2
8	23.0126.	PLUG, NYLON FOR 23.0106.	2

OPTIONS

ILLUSTRATED DRAWING DUAL WHEELS



OPTIONS

DUAL WHEELS

REF.	PART NO.	DESCRIPTION	QTY.
1	50.0051	MOUNT, DUAL WHEEL INNER HT	2
2	50.0052	EXTENSION, DUAL WHEEL HT	2
3	91.0726*	BOLT, 7/16-20 SAE X 3-1/4"	10
3	91.0722	BOLT, SAE 7/16-20 SAE 2 3/4"	10
4	50.0062	HUB, DUAL WHEEL KT	2
5	93.07	NUT, 7/16-20 SAE	10
6	50.0063	CONE, DRAW DUAL WHEEL KT	2
7	50.0061	EXTENSION, DUAL WHEEL KT	2
8	94.12	WASHER, FLAT 3/4 USS	2
9	64.0672	DRAWBOLT, DUAL WHEEL HT	2
10.	99.E0044	NUT, LUG 7/16-20 SAE	10
11.	53.0077	WHEEL, ASM 22 X 12 X 8 X 5B	2
11.	53.0101-L	WHEEL, ASM 21 X 11 X 8 X 5B BAR.	1
11.	53.0101-R	WHEEL, ASM 21 X 11 X 8 X 5B BAR.	1
11.	53.0111	WHEEL, ASM 22X11X10X5B	2
12.	05.0093	PLUG, 2-1/2 NPT M, WHT PLASTIC.	2
13.	39.56113	KT, OPT.DUAL WHEELS FIELD TRAX	2
13.	39.56118	KT, OPT.DUAL WHEELS BAR TIRE	2
13.	39.56119	KIT, OPT.DUAL WHEEL TURF MASTR	2
13.	70.4040	KIT, OPT.DUAL WHEELS(NO TIRES)	2
30.	53.0090	RIM, 8 X 8.5, 5 ON 4.5 BC	1
31.	53.0089	TIRE, FIELD 22 X 12 X 8-NO RIM	1
35.	53.0090	RIM, 8 X 8.5, 5 ON 4.5 BC	1
36.	53.0114	TIRE, BAR 21X11X8 NO RIM	1
40.	53.0090	RIM, 8 X 8.5, 5 ON 4.5 BC	1
41.	53.0114	TIRE, BAR 21X11X8 NO RIM	1
45.	53.0113	RIM, 10 X 8 - 5 ON 4.5 BC	1
46.	53.0112	TIRE, TURFMASTR 22X11X10 NO RIM	1
50.	53.0142	TUBE, INNER 22 X 12 X 8	4

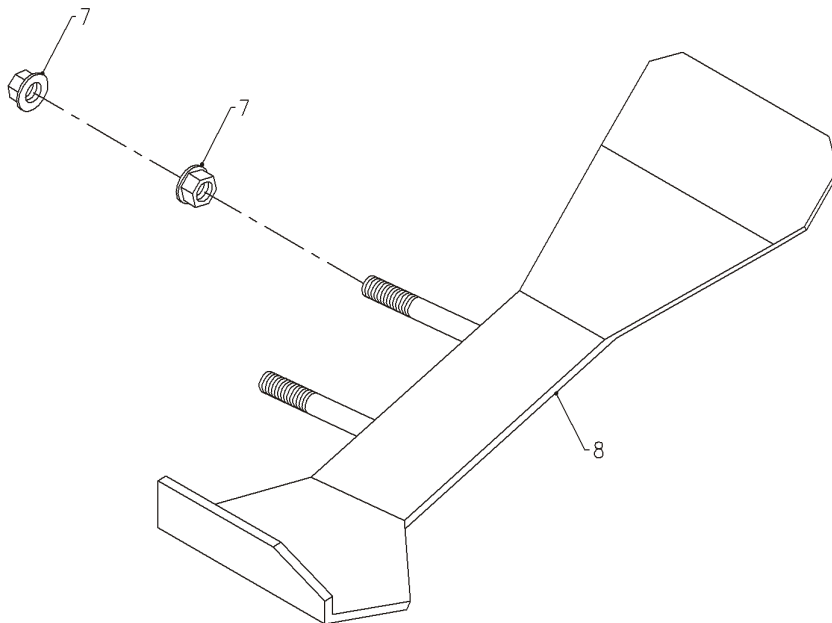
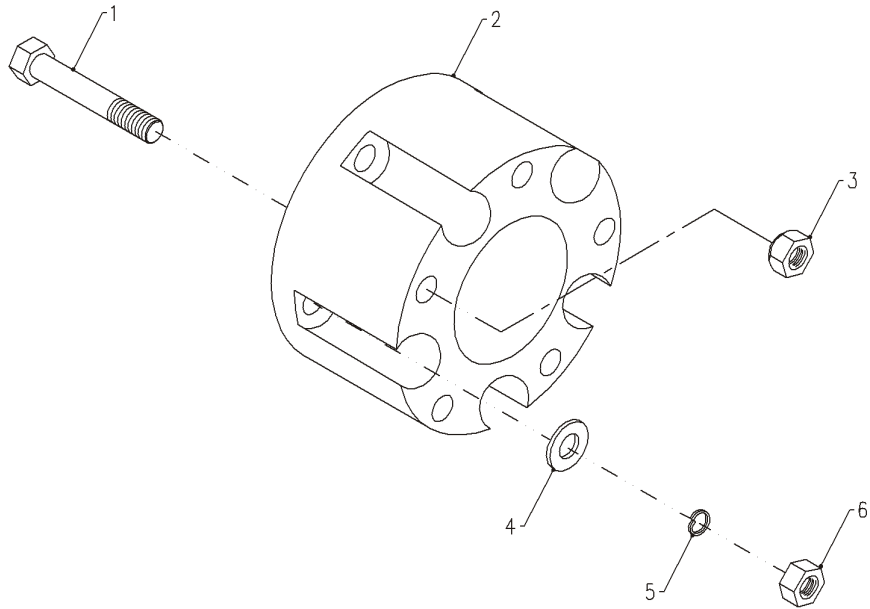
Individual dual wheel component quantities are listed per dual wheel kit. Two dual wheel kits are required per tractor.

*Not included in kit. Must be ordered separately.

OPTIONS

ILLUSTRATED DRAWING FOOT PEDAL & WHEEL EXTENSIONS

WHEEL EXTENSION KIT
70.0103



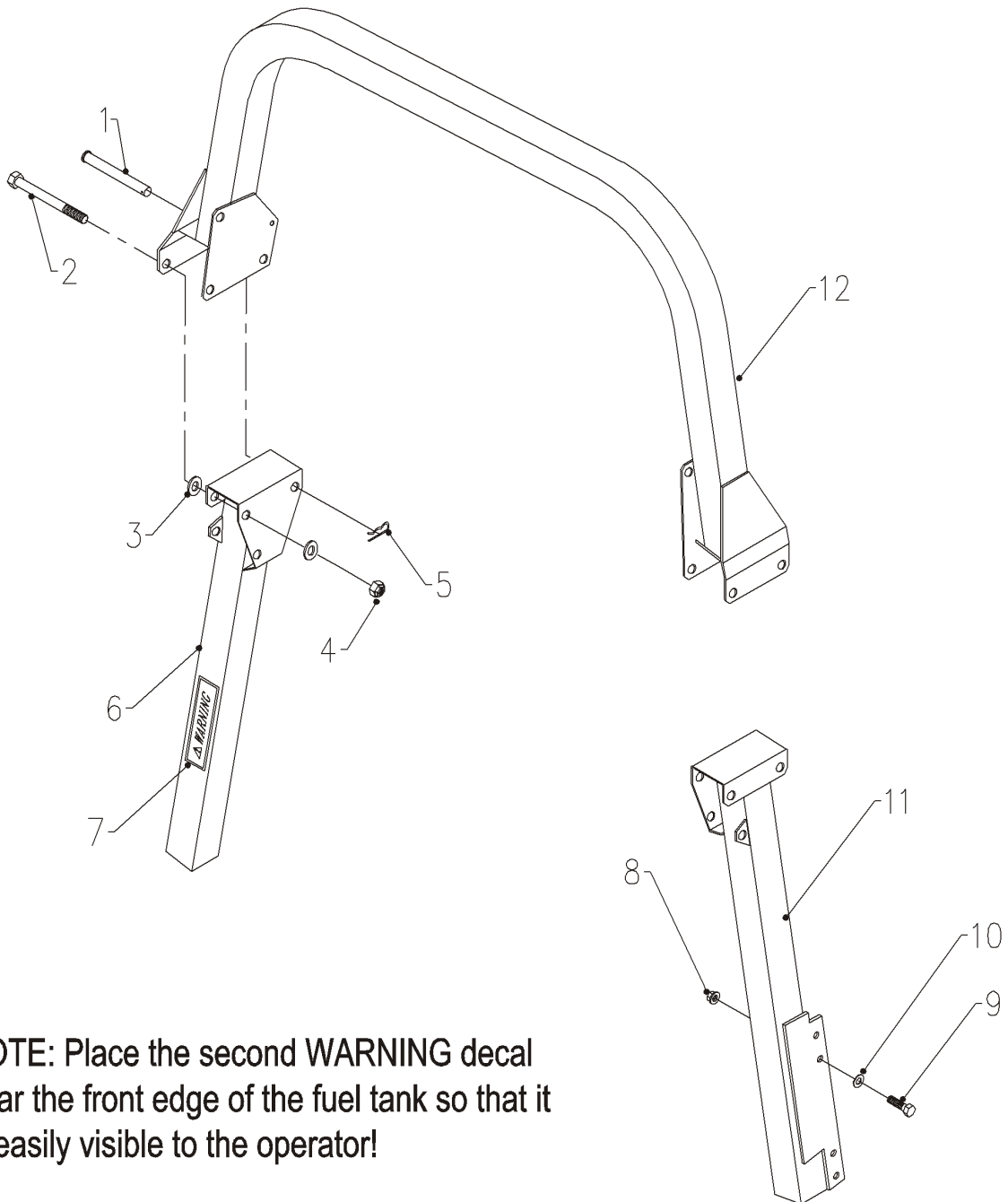
OPTIONS

FOOT PEDAL & WHEEL EXTENSIONS

REF.	PART NO.	DESCRIPTION	QTY.
1	91.0728	BOLT, 7/16-20 SAE X 3-1/2	20
2	53.0104	HUB, WHEEL EXTENSIONS- 3"	4
3	99.E0044	NUT, LUG 7/16-20 SAE	20
4	95.07	WASHER, FLAT 7/16 SAE	20
5	96.07	WASHER, LOCK 7/16	20
6	93.07	NUT, 7/16-20 SAE	20
7	99.SF06	NUT, SF 3/8-16 USS	4
8	62.0794	PEDAL, FOOT—OPTIONAL	1

OPTIONS

ILLUSTRATED DRAWING FOLD DOWN ROLL BAR



NOTE: Place the second WARNING decal near the front edge of the fuel tank so that it is easily visible to the operator!

⚠ WARNING

Improper operation of this machine can cause it to roll over. Use roll bar and seat belt to minimize the possibility of injury or death. For low clearance the roll bar can be folded down. There is no rollover protection in this position!

USE ROLL BAR IN LOCKED, UPRIGHT POSITION AS MUCH AS POSSIBLE!

Contact dealer or factory if you have any questions or concerns.

00.0154

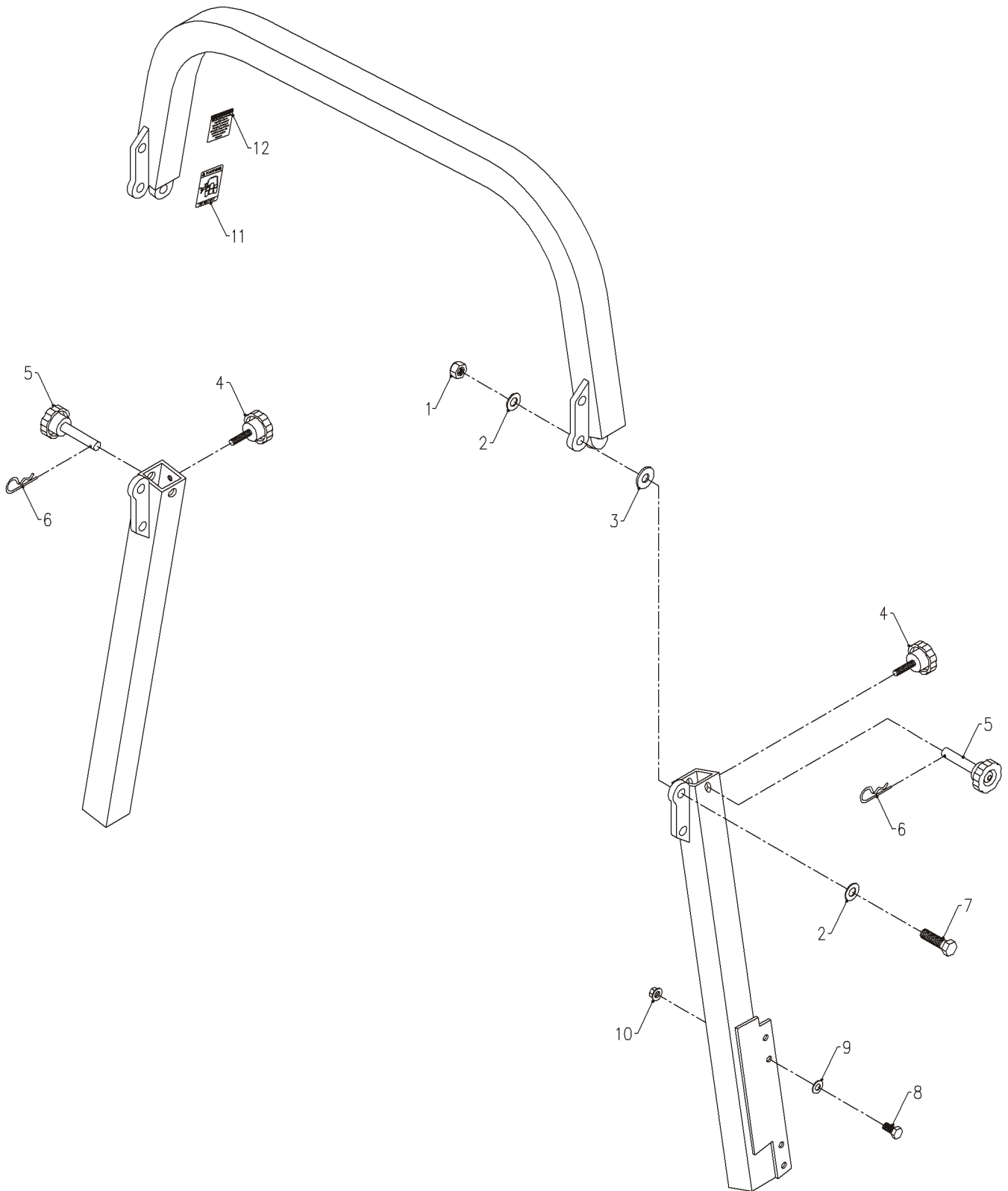
OPTIONS

FOLD DOWN ROLL BAR

REF.	PART NO.	DESCRIPTION	QTY.
1	03.0830	CLEVIS PIN, 1/2 X 4" OAL	2
2	90.0832	BOLT, 1/2-13 USS X 4	2
3	95.08	WASHER, FLAT 1/2 SAE.	4
4	99.A08	LOCKNUT, STOVER 1/2-13 USS	2
5	02.HP0416	HAIRPIN, 1/8 X 2.	2
6	62.0849	ROLL BAR, MOUNT - LH FOLD DN.	1
7	00.0154	DECAL, WARNING FOLD DOWN R BAR	2
8	99.SF06	NUT, SF 3/8-16 USS	8
9	90.0606	BOLT, 3/8-16 USS X 3/4	8
10	95.06	WASHER, FLAT 3/8 SAE.	8
11	62.0848	ROLL BAR, MOUNT - RH FOLD DN.	1
12	62.0847	ROLL BAR, TOP FOLD DN.	1

OPTIONS

ILLUSTRATED DRAWING FOLD DOWN ROPS ROLL BAR



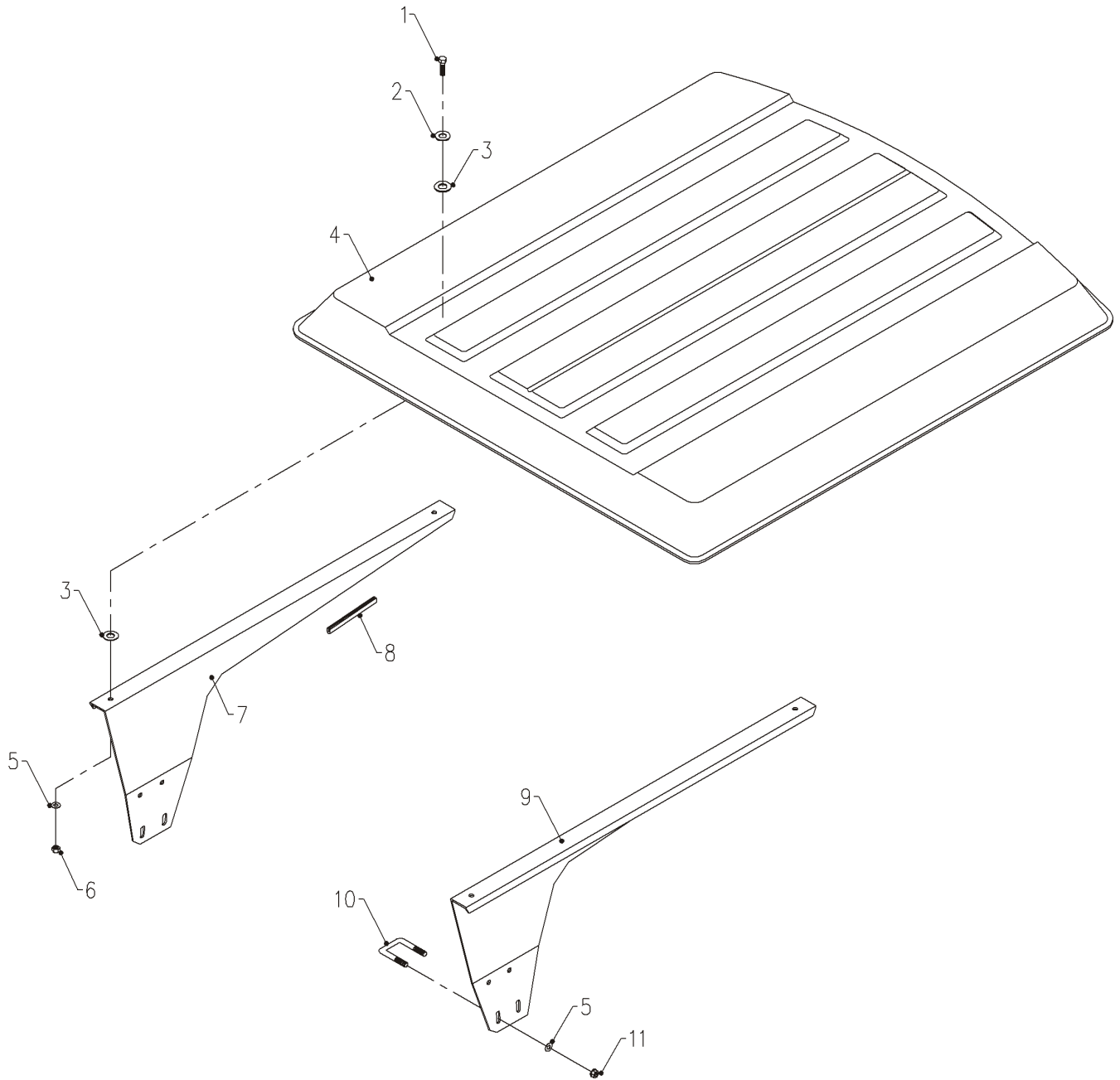
OPTIONS

FOLD DOWN ROPS ROLL BAR

REF.	PART NO.	DESCRIPTION	QTY.
1	99.A08	LOCKNUT, STOVER 1/2-13 USS	2
2	95.08	WASHER, FLAT 1/2 SAE.	4
3	05.0105	WASHER, UHMW	2
4	47.0248	PIN, ASSEMBLY	2
5	47.0247	PIN, PULL	2
6	02.HP0420	HAIRPIN, 1/8 X 2 1/2.	2
7	90.0814	BOLT, 1/2-13 USS X 1 3/4	2
8	90.0606	BOLT, 3/8-16 USS X 3/4	8
9	95.06	WASHER, FLAT 3/8 SAE.	8
10	99.E0082	NUT, LOCKING FLANGE 3/8 - 16	8
11	00.0229	DECAL, WARNING - SEAT BELT	1
12	00.0228	DECAL, WARNING - ALTERATION	1

OPTIONS

ILLUSTRATED DRAWING CANOPY



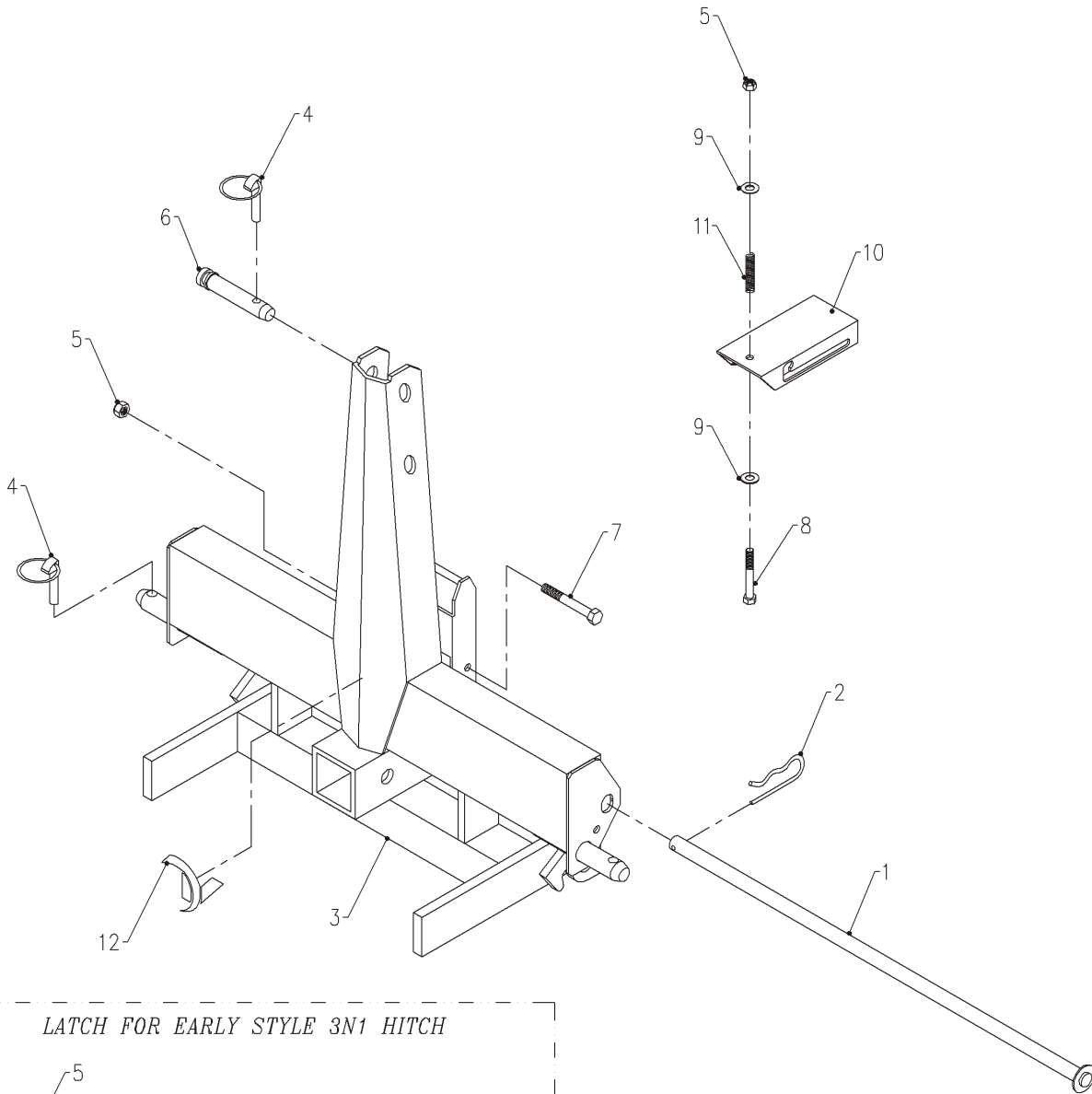
OPTIONS

CANOPY

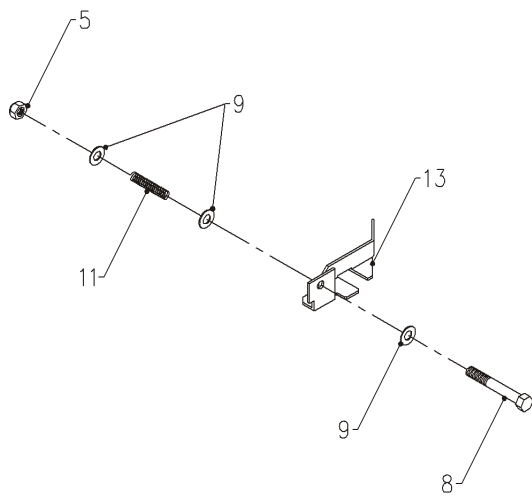
REF.	PART NO.	DESCRIPTION	QTY.
1	90.0614	BOLT, 3/8-16 USS X 1 3/4	4
2	99.b0076	WASHER, .185 X 13/32ID X 1-5/8	4
3	05.0085	WASHER, NEOPRENE	8
4	47.0186	CANOPY, SHELL ONLY, WHITE	1
5	95.06	WASHER, FLAT 3/8 SAE	12
6	99.A06N	LOCKNUT, NYLON 3/8-16	4
7	62.0915	ARM, CANOPY LEFTSIDE	1
8	06.0050-43IN	TRIM, TRIM LOC 1/2 X 3/16 X 43"	2
9	62.0914	ARM, CANOPY RIGHTSIDE	1
10	11.0053	U-BOLT, 3/8-16 2" ID SQ BEND	4
11	99.SF06	NUT, SF 3/8-16 USS	8

OPTIONS

ILLUSTRATED DRAWING 3N1 HITCH



LATCH FOR EARLY STYLE 3N1 HITCH



OPTIONS

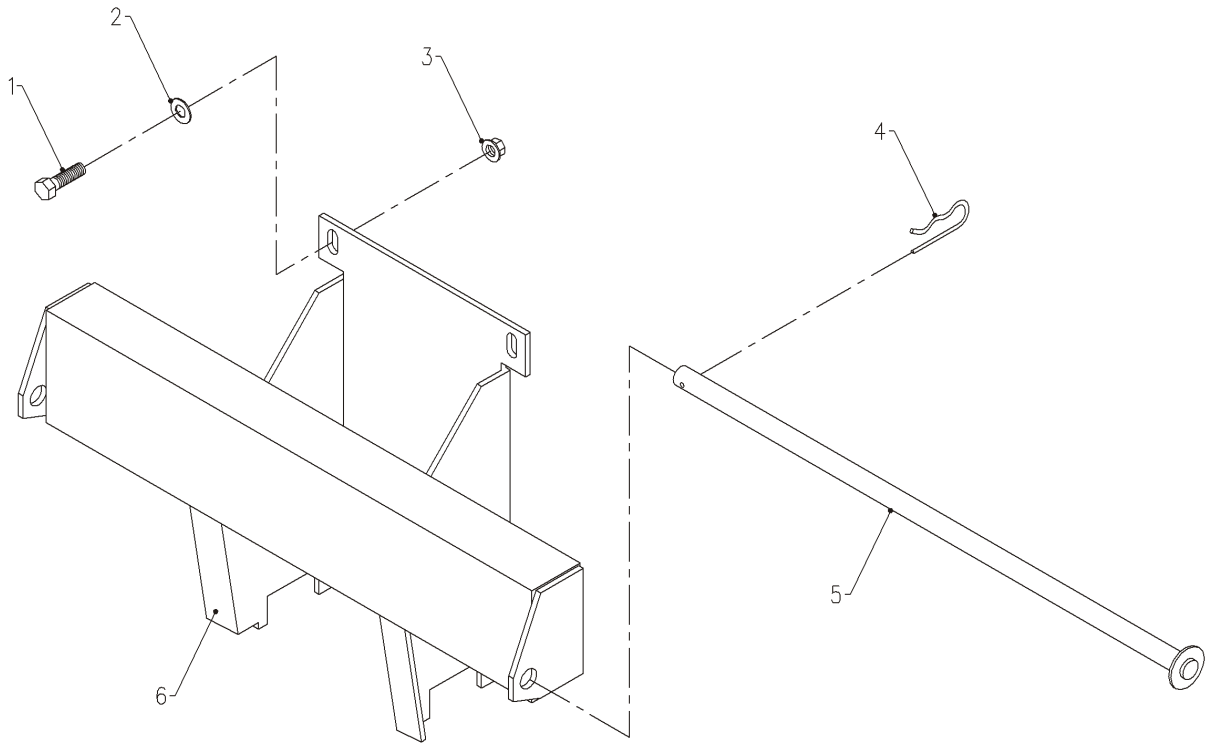
3N1 HITCH

REF.	PART NO.	DESCRIPTION	QTY.
1	64.1017	PIN, WEIGHT SECURE 24-1/8 LONG	1
2	02.HP0420	HAIRPIN, 1/8 X 2 1/2	1
3	62.0925	HITCH, TOW 3PT MAIN WELDMENT	1
4	03.0005	PIN, LYNCH	3
5	99.A05	LOCKNUT, STOVER 5/16-18 USS	2
6	03.0004	PIN, TOP LINK CATEGORY 1	1
7	90.0526	BOLT, 5/16-18 USS X 3-1/4	1
8	90.0524	BOLT, 5/16-18 USS X 3	1
9	95.05	WASHER, FLAT 5/16 SAE	2
10	64.1101	LATCH, HANDLE 3N1 TOW HITCH	1
11	41.0021	SPRING, COMP 1/2 OD X 2-3/4 LG	1
12	00.0192	DECAL, V-DECAL DIE CUT BLUE	1
13	40.0303	LEVER, PTO ATTACHMENT LATCH	1

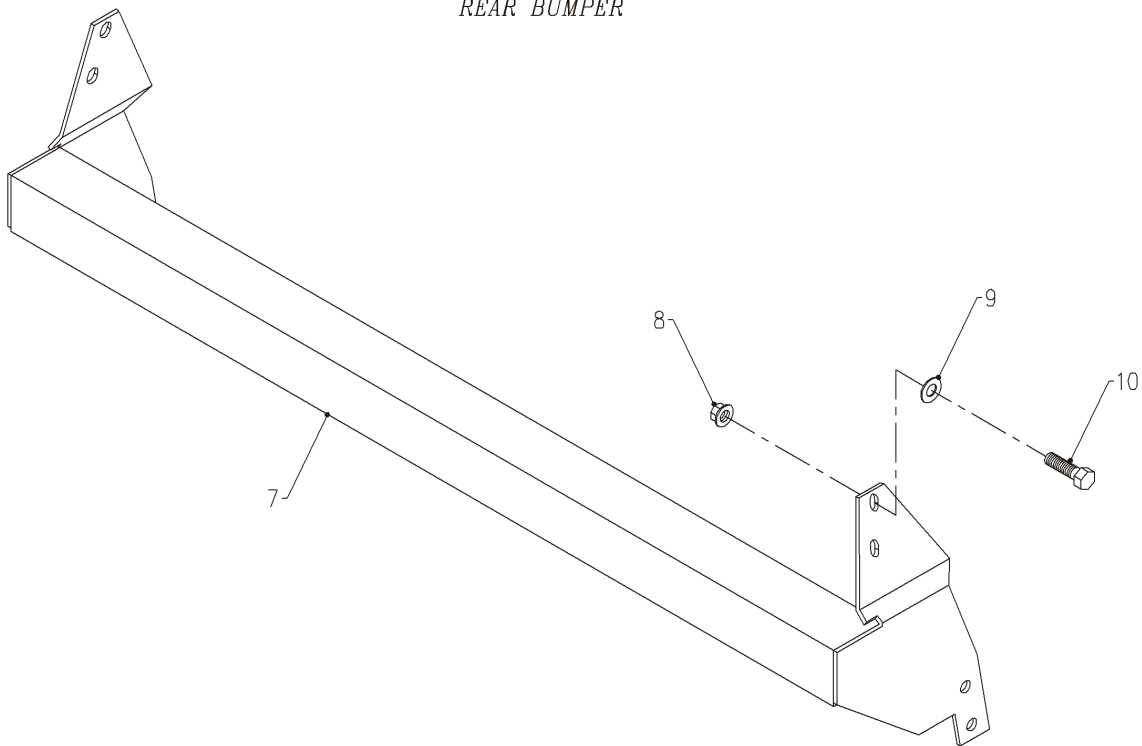
OPTIONS

ILLUSTRATED DRAWING REAR COUNTERWEIGHT BAR & REAR BUMPER

REAR COUNTER WEIGHT BAR



REAR BUMPER



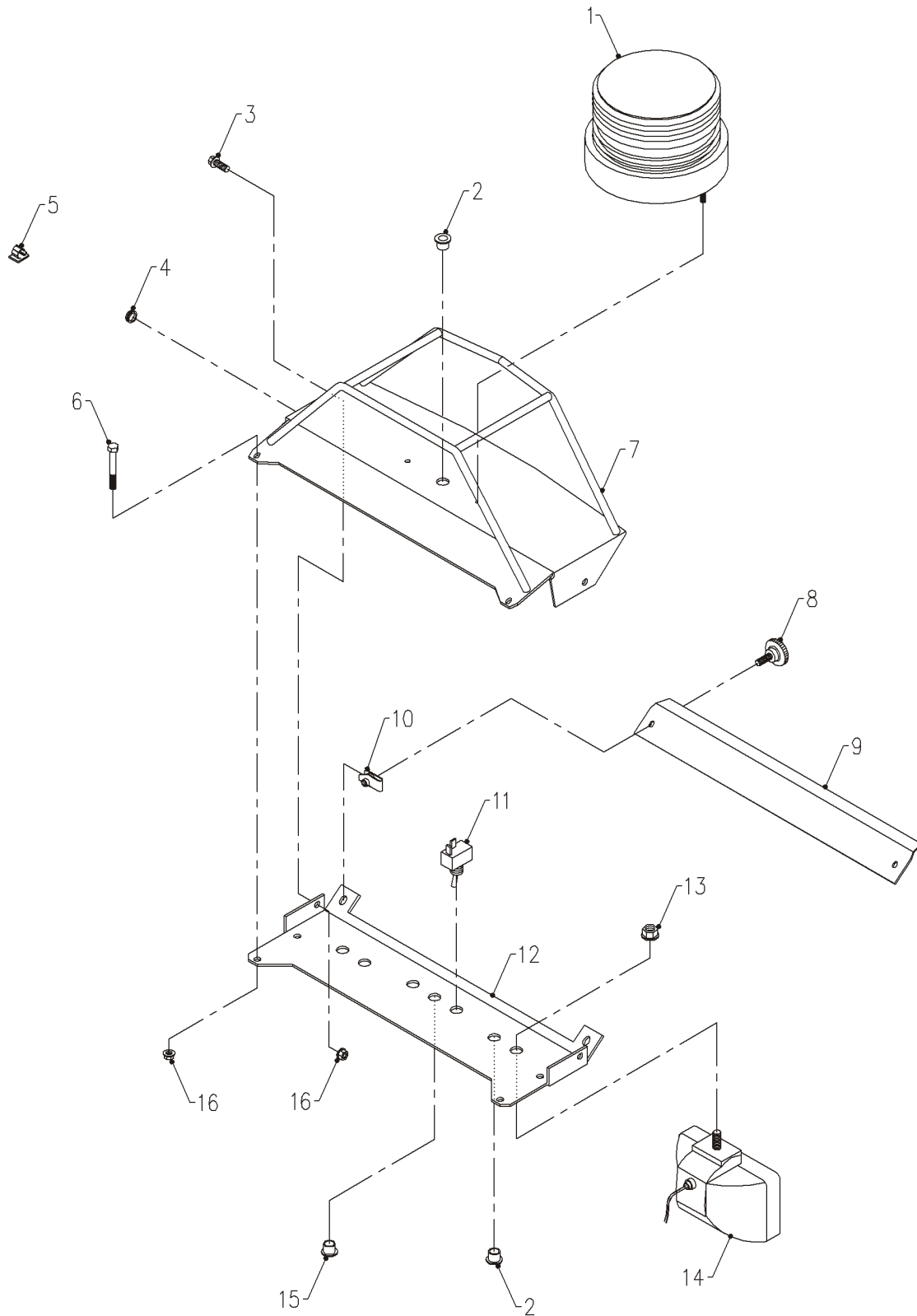
OPTIONS

REAR COUNTERWEIGHT BAR & REAR BUMPER

REF.	PART NO.	DESCRIPTION	QTY.
1	90.0606	BOLT, 3/8-16 USS X 3/4	2
2	95.06	WASHER, FLAT 3/8 SAE	2
3	99.SF06	NUT, SF 3/8-16 USS	2
4	02.HP0420	HAIRPIN, 1/8 X 2 1/2	1
5	64.1040	PIN, WEIGHT SECURE 21 LONG	1
6	62.0955	FRAME, REAR COUNTER WEIGHT	1
7	62.1002	BUMPER, REAR-KT	1
8	99.SF06	NUT, SF 3/8-16 USS	8
9	95.06	WASHER, FLAT 3/8 SAE	8
10	90.0610	BOLT, 3/8-16 USS X 1 1/4	8

OPTIONS

ILLUSTRATED DRAWING LIGHT BAR



OPTIONS

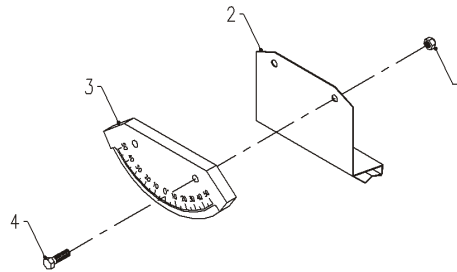
LIGHT BAR

REF.	PART NO.	DESCRIPTION	QTY.
1	33.0036	LIGHT, STROBE 2 JOULE AMBER	1
	33.0041	BULB, LIGHT (ONLY) FOR 33.0036	1
	33.0042	LENS, STROBE-AMBER REPLACEMENT	1
	33.0046	LENS, STROBE-BLUE REPLACEMENT	1
2	05.0072	SNAP BUSHING, 3/8 ID X 1/2 OD	3
3	99.SF0404-1	BOLT, SF 1/4-20 X 1/2 W/RUBBER	2
4	05.0047	GROMMET, 5/16ID,13/16OD,5/16TK	1
5	30.0226	CLAMP, WIRE MT ADH. 3/8 GRAY	6
6	90.0420	BOLT, 1/4-20 USS X 2 1/2	4
7	60.0842	FRAME, LIGHT BAR TOP KT	1
8	47.0167	KNOB, 1/4-20 X 1-1/4 DIA BLK	2
9	60.0844	COVER, LIGHT BAR ACCESS KT.	1
10.	99.E0046	NUT, "U" 1/4-20 EXTRUDED	2
11.	31.0034	SWITCH, TOGGLE ON/OFF SPST	2
12.	60.0843	FRAME, LIGHT BAR BOTTOM KT.	1
13.	99.SF05	NUT, SF 5/16-18 USS	2
14.	33.0043	LIGHT, HEAD 12V 55W HALOGEN	2
	33.0037	BULB, LIGHT(ONLY) FOR 55 WATT.	2
15.	05.0070	PLUG, 1/2" HOLE, NYLON	1
16.	99.SF04	NUT, SF 1/4-20 USS	6
17.	30.0157	BOOT, TOGGLE SWITCH (not shown)	2
18.	30.0152	CONNECTOR, BULLET - 3 WAY STD (not shown).	2
19.	30.0146	TERMINAL, ADAPTER 1/4 PUSH ON (not shown)	1
20.	34.1400-1002.	WIRE, 14 GA 2 WIRE X 78"T (not shown)	1
21.	34.1601-2002.	WIRE, 16 GA X 3" BLACK (not shown)	1
22.	34.1603-1001.	WIRE, 16 GA X 6" RED (not shown)	1
23.	34.1603-1002.	WIRE, 16 GA X 6" RED (not shown)	1

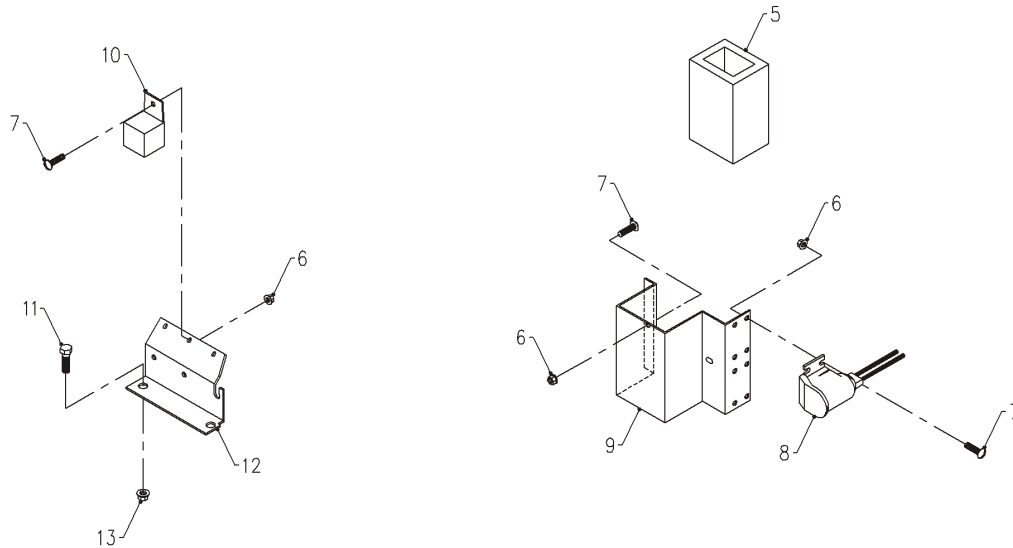
OPTIONS

ILLUSTRATED DRAWING SLOPE GAUGE, 12 VOLT OUTLET, & 12 VOLT FRONT PLUG

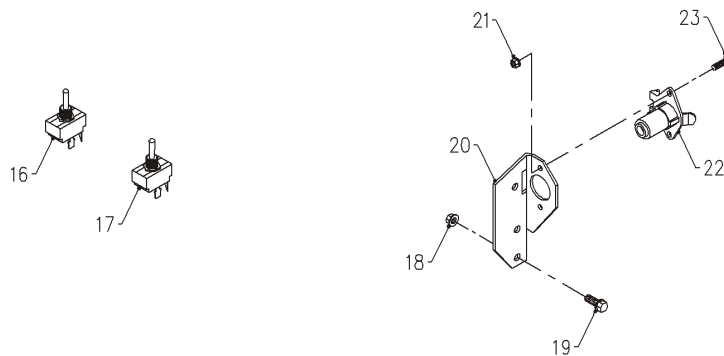
*SLOPE GAUGE KIT
70.0109*



*12 VOLT POWER OUTLET KIT
70.4041*



*FRONT 12 VOLT SWITCH & PLUG KIT
70.4039*



OPTIONS

SLOPE GAUGE, 12 VOLT OUTLET, & 12 VOLT FRONT PLUG

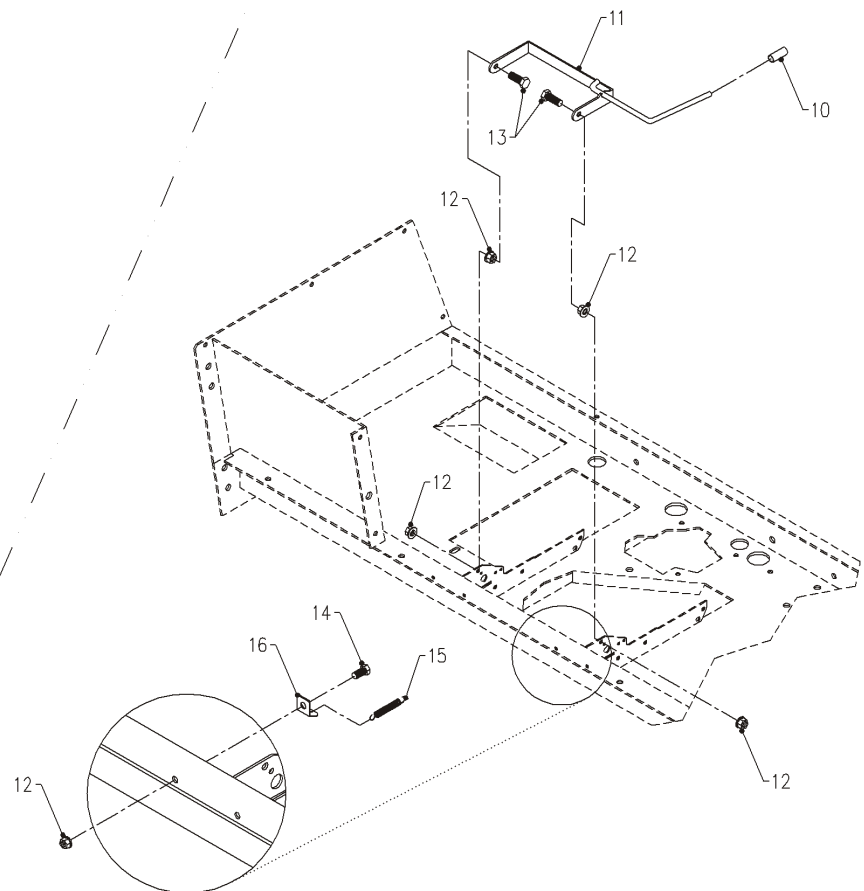
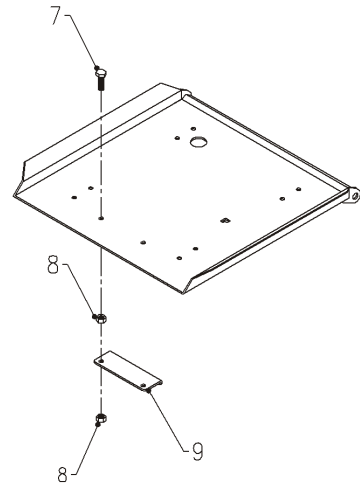
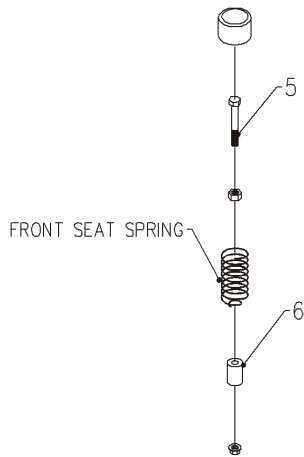
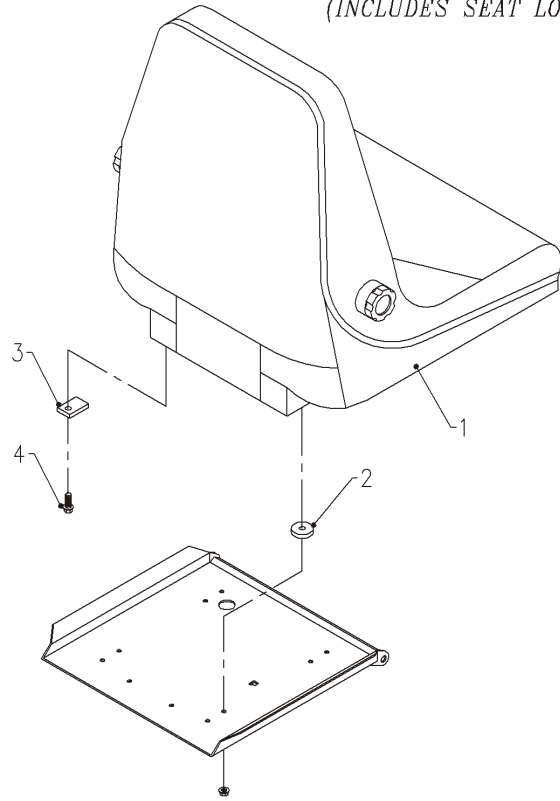
REF.	PART NO.	DESCRIPTION	QTY.
1	99.A04N	LOCKNUT, NYLON 1/4-20	2
2	64.0983	BRACKET, TILT INDICATOR	1
3	35.0105	INDICATOR, SLOPE DEGREE	1
4	90.0408	BOLT, 1/4-20 USS X 1	2
5	06.0056-3.13IN	INSULATION, PIPE 1-5/8 ID X3/8 X 3-1/8"	1
6	99.E0035	NUT, SF #10-32	11
7	99.K0042	MACHINE SCREW, 10-32 X 3/8	11
8	30.0221	OUTLET, 12 VOLT ALL WEATHER	2
9	64.1064	BRACKET, 12V OUTLET HOLDER	1
10	35.0097	RELAY, 12 VOLT 50 AMP	1
11	90.0406	BOLT, 1/4-20 USS X 3/4	2
12	64.0849	BRACKET, RELAY MOUNTING	1
13	99.SF04	NUT, SF 1/4-20 USS	2
14	30.0166	FUSE, 15 AMP ATC BLADE - BLUE (not shown)	1
15	32.0070	KIT, HARNESS 12V PWR OUTLET (not shown)	1
16	31.0034	SWITCH, TOGGLE ON/OFF SPST	1
17	31.0041	SWITCH, TOGGLE DPDT MOOFFMO	1
18	99.SF04	NUT, SF 1/4-20 USS	2
19	99.SF0405-1	BOLT, SF 1/4-20 X 5/8 W/RUBBER	2
20	64.1063	BRACKET, FRONT AUX. ELEC. PLUG	1
21	99.E0035	NUT, SF #10-32	2
22	30.0219	SOCKET, TRAILER 4-PIN FEMALE	1
23	99.K0071	MACHINE SCREW, 10-32 X 5/8	2
24	30.0157	BOOT, TOGGLE SWITCH (not shown)	2
25	30.0166	FUSE, 15 AMP ATC BLADE - BLUE (not shown)	1
26	99.E0049	NUT, WASHER #10-32 (STAR NUT) (not shown)	1
27	32.0079	HARNESS, KT 12V SWITCH & PLUG (not shown)	1

OPTIONS

ILLUSTRATED DRAWING SUSPENSION SEAT & SEAT LOCK

SUSPENSION SEAT
KIT # 47.0231
(INCLUDES SEAT LOCK KIT)

SEAT LOCK ONLY
KIT # 70.4051



OPTIONS

SUSPENSION SEAT & SEAT LOCK

REF.	PART NO.	DESCRIPTION	QTY.
1	47.0233	SEAT, FULL SUSPENSION	1
	47.0231-1	ARMREST, KIT - SUSPENSION SEAT	1
2	05.0069	WASHER, NYLON	4
3	64.1112	STOP, SUSPENSION SEAT	1
4	99.SF0508	BOLT, SF 5/16-18 USS X 1	1
5	90.0624	BOLT, 3/8-16 USS X 3	1
6	64.1142	BUSHING, 7/16 X 7/8 X 1-1/2	1
7	90.0508	BOLT, 5/16-18 USS X 1	2
8	92.05	NUT, 5/16-18 USS	4
9	62.1039	BRACKET, SEAT LOCK	1
10	47.0236	CAP, VINYL 3/8 ID X 1 1/2 LONG	1
11	64.1165	BRACKET, SEAT LOCK LEVER	1
12	99.SF06	NUT, SF 3/8-16 USS	5
13	90.0608	BOLT, 3/8-16 USS X 1	2
14	90.0606	BOLT, 3/8-16 USS X 3/4	1
15	41.0079	SPRING, 7/8 OD X 3 1/2 LG	1
16	62.1038	BRACKET, SPRING ANCHOR	1

Seat lock kit (70.4051) is included with the suspension seat kit (47.0231).