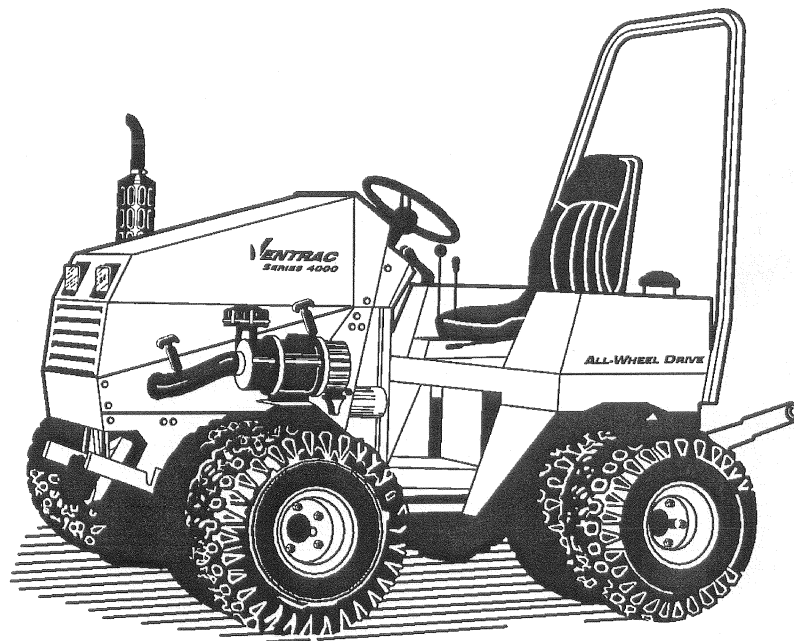




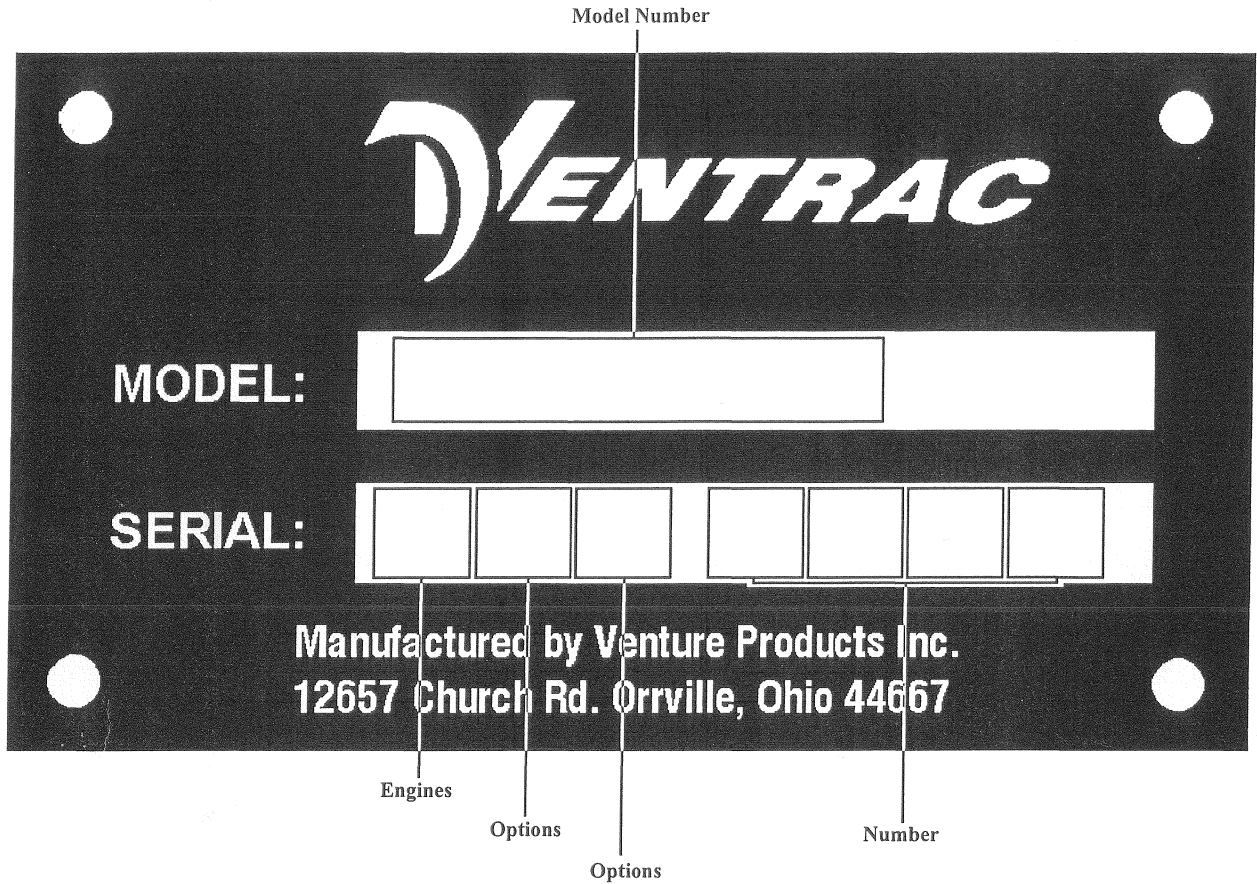
PARTS/ILLUSTRATED
DRAWINGS
MANUAL

VENTRAC
SERIES 4000



VENTRAC ORRVILLE, OHIO

SERIAL NUMBER PLATE



Engines

- R - KUBOTA 25 HP WG750 GAS
- S - KAWASAKI 22 HP GAS
- T - VANGUARD 23.6 HP DM 850 DIESEL
- U - VANGUARD 26.5 HP DM950 DIESEL
- V - VANGUARD 31 HP DM950 GAS

TABLE OF CONTENTS

| | |
|--------------------------------------|---------------------------|
| DECALS | Section A |
| Replacement Decals | A 1 - 2 |
| ELECTRICAL | Section B |
| Kawasaki Wiring | Figure 1 B 1 |
| Kubota Wiring..... | Figure 2 B 2 |
| Vanguard Diesel Wiring..... | Figure 3 B 3 |
| Vanguard Gas Wiring..... | Figure 4 B 4 |
| HYDRAULICS & AXLES | Section C |
| Steering, Lift, & Auxiliary | Figure 5 C 1 - 2 |
| Pump, Oil Cooler, Front Filter | Figure 6 C 3 - 4 |
| Front Transaxle | Figure 7 C 5 - 6 |
| Rear Transaxle & Hydraulics..... | Figure 8 C 7 - 8 |
| Lift Valve, Rear Filter | Figure 8 C 7 - 8 |
| Model 2600 Transaxle..... | Figure 9 C 9 - 10 |
| Model 15 Motor | Figure 10 C 11 - 12 |
| Model 15 Pump..... | Figure 11 C 13 - 14 |
| ENGINE/ENGINE DRIVES | Section D |
| Kawasaki Engine..... | Figure 12 D 1 - 2 |
| Kawasaki Engine..... | Figure 13 D 3 - 4 |
| Kawasaki Cooling & Air..... | Figure 14 D 5 - 6 |
| Kubota Engine..... | Figure 15 D 7 - 8 |
| Kubota Engine..... | Figure 16 D 9 - 10 |
| Kubota Air Intake..... | Figure 17 D 11 - 12 |
| Kubota Cooling System | Figure 18 D 13 - 14 |
| Vanguard Engine..... | Figure 19 D 15 - 16 |
| Vanguard Engine..... | Figure 20 D 17 - 18 |
| Vanguard Air Intake..... | Figure 21 D 19 - 20 |
| Vanguard Cooling System | Figure 22 D 21 - 22 |
| Fuel System..... | Figure 23 D 23 - 24 |

TABLE OF CONTENTS

FRAME, SHEET METAL

Section E

| | | |
|-------------------------|-----------------|-----------|
| Upper Rear Frame | Figure 24 | E 1 - 2 |
| Rear Hitch Frame | Figure 25 | E 3 - 4 |
| Seat Assembly | Figure 26 | E 5 - 6 |
| Lower Rear Frame..... | Figure 27 | E 7 - 8 |
| Front Frame | Figure 28 | E 9 - 10 |
| Front Hitch | Figure 29 | E 11 - 12 |
| Hood, Grill, Dash | Figure 30 | E 13 - 14 |
| Shields, Fenders | Figure 31 | E 15 - 16 |

CONTROLS/LINKAGE

Section F

| | | |
|----------------------------------|-----------------|-----------|
| Hand Controls | Figure 32 | F 1 - 2 |
| Forward/Reverse Rocker..... | Figure 33 | F 3 - 4 |
| Neutral Position Assembly..... | Figure 34 | F 5 - 6 |
| Park Brake, Throttle, Choke..... | Figure 35 | F 7 - 8 |
| Pump Control Arm..... | Figure 36 | F 9 - 10 |
| High/Low Shift Linkage..... | Figure 37 | F 11 - 12 |
| Belt Tightener..... | Figure 38 | F 13 - 14 |

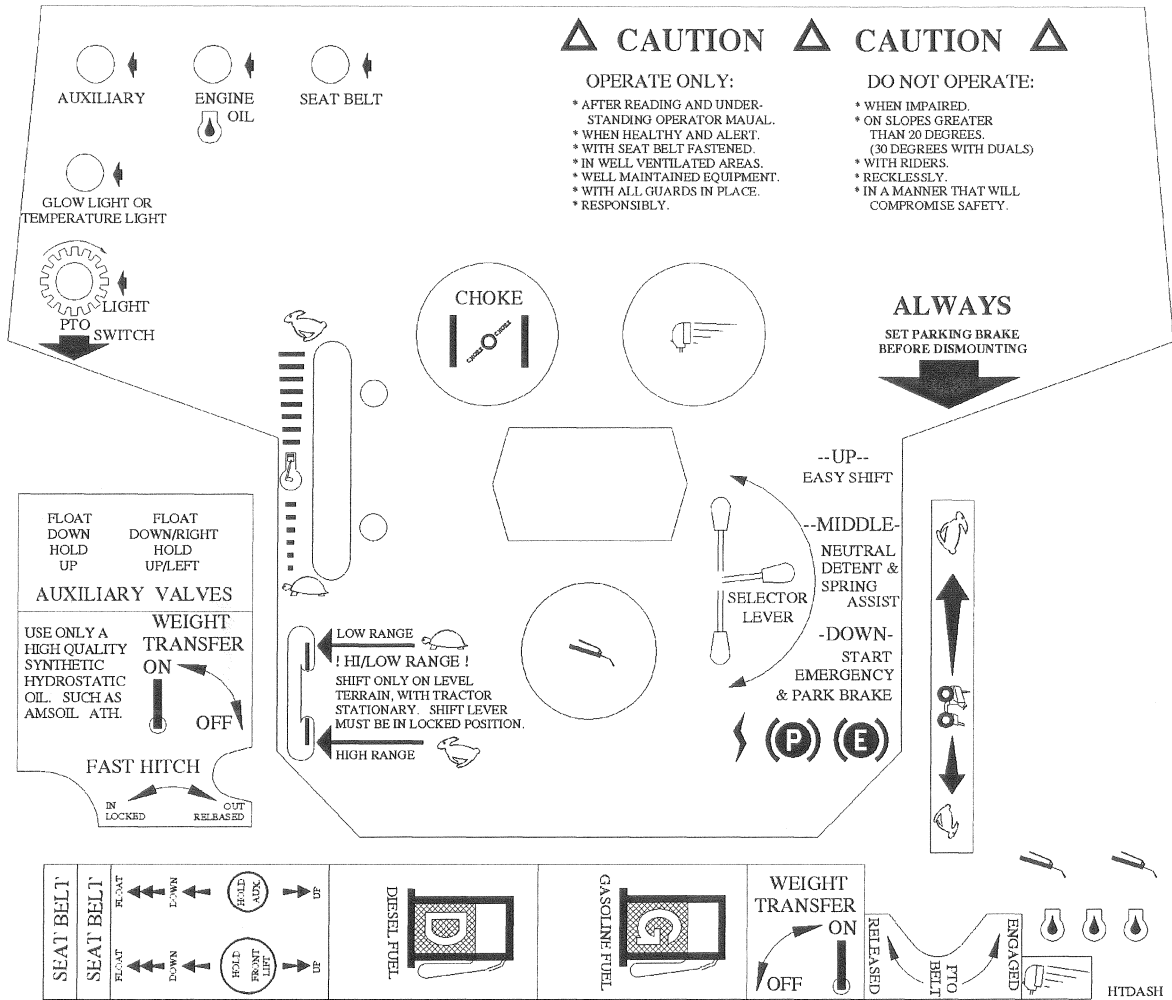
OPTIONS

Section G

| | | |
|----------------------------------|-----------------|-----------|
| 3 Point Hitch Frame | Figure 39 | G 1 - 2 |
| 3 Point Hitch Arms..... | Figure 40 | G 3 - 4 |
| 3 Point Hydraulics | Figure 41 | G 5 - 6 |
| Dual Wheels | Figure 42 | G 7 - 8 |
| Foot Pedal, Front Auxiliary..... | Figure 43 | G 9 - 10 |
| Fold Down Roll Bar | Figure 44 | G 11 - 12 |

PARTS

DECALS



00.0147

! WARNING

To prevent serious injury or death from exploding gases:

- Do not work on batteries without proper instruction and training.
- See operator's manual.

SW500

00.0124

! DANGER

EXPLOSION HAZARD

To prevent an explosion or a fire:

- Do not smoke while refuelling.
- Keep smoking material, sparks and open flames away.

SW501

00.0121

PARTS

DECALS



00.0116

ALL WHEEL DRIVE

00.0138

SERIES 4000

00.0137



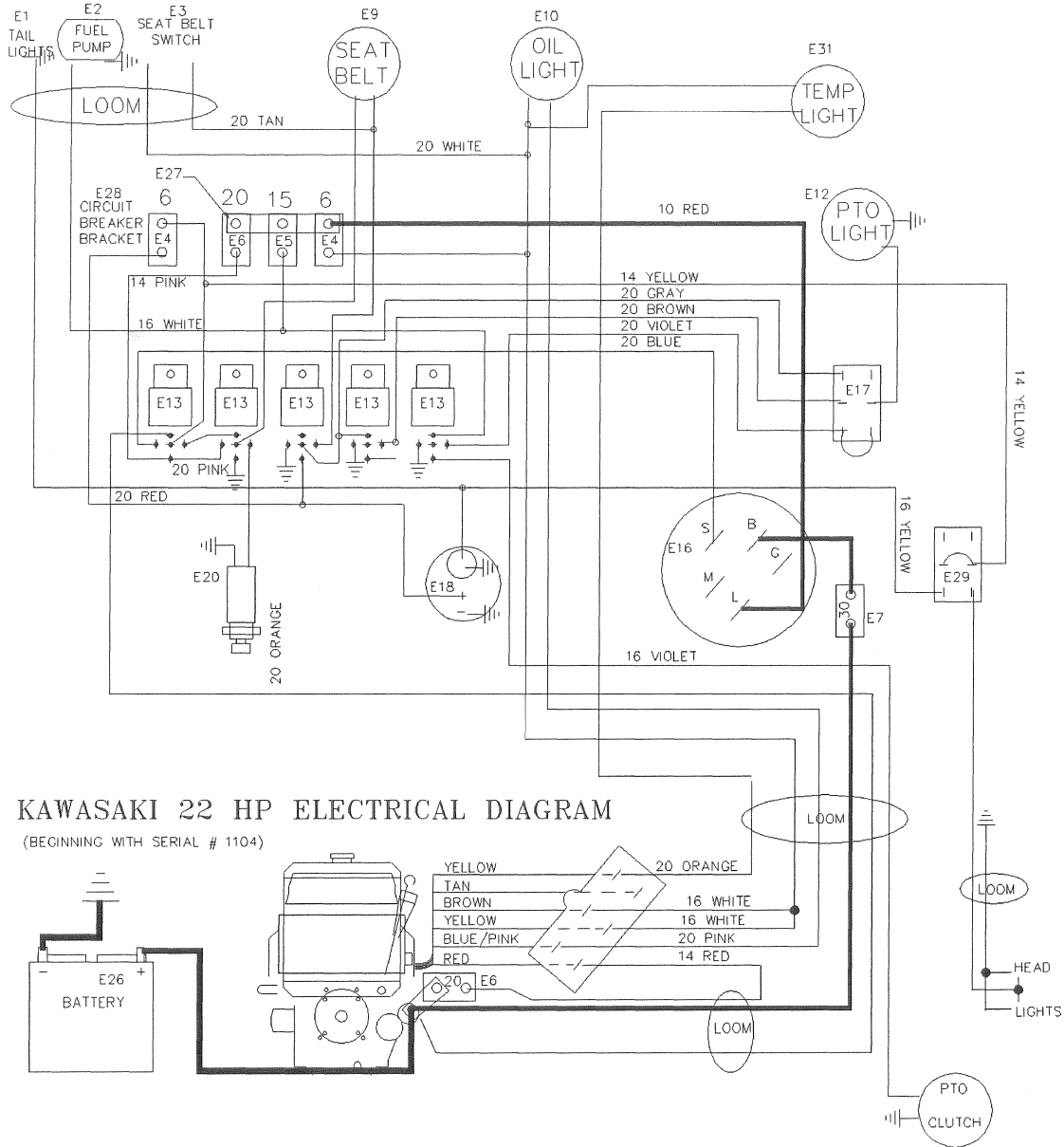
00.0117



00.0128

PARTS

FIGURE 1 KAWASAKI WIRING

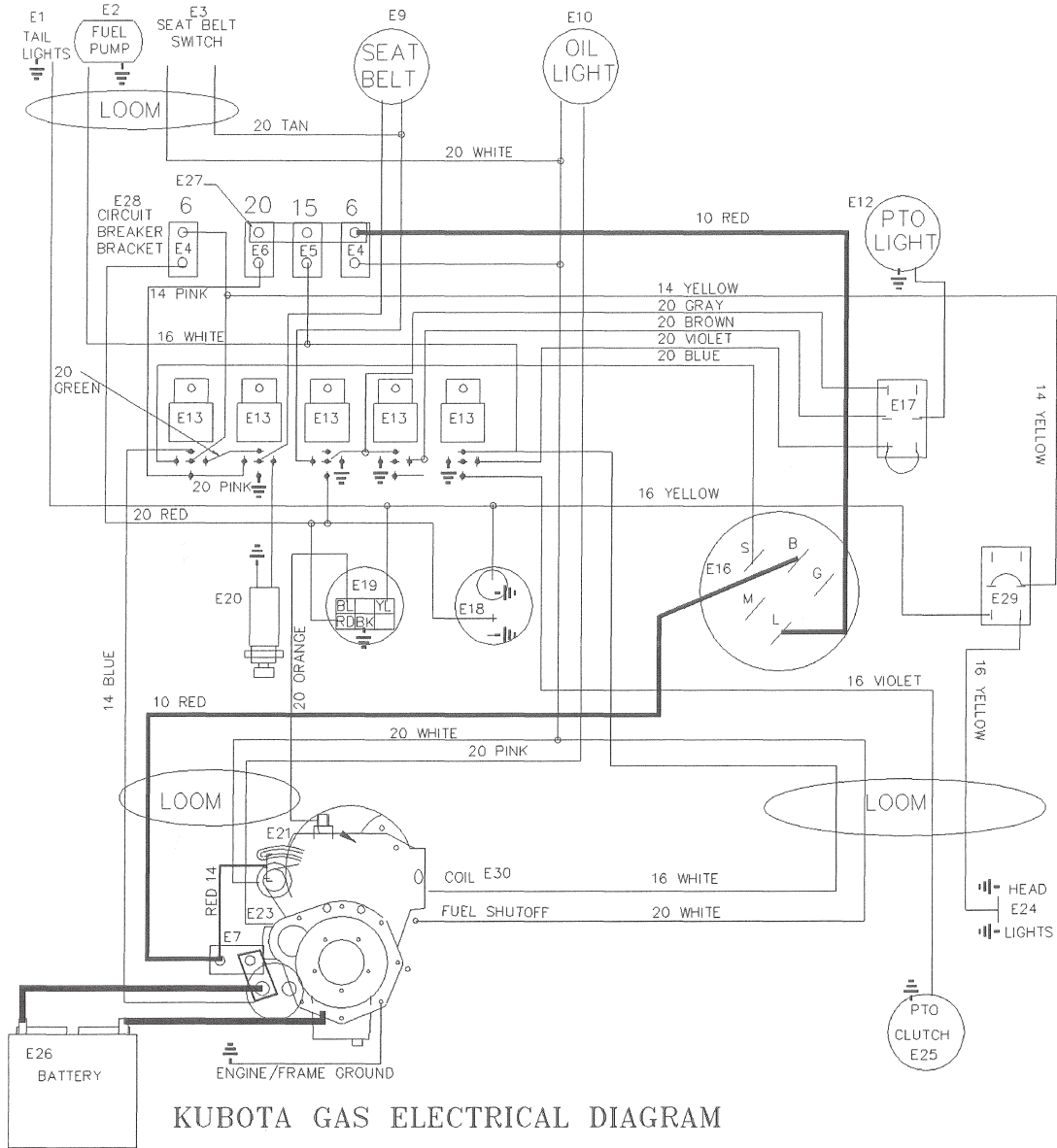


| ITEM | # | PART # | DESCRIPTION |
|------|---|---------|------------------------|
| E1 | 2 | 33.0022 | TAIL LIGHT |
| E2 | 1 | 13.0077 | FUEL PUMP |
| E3 | 1 | 47.0104 | SEAT BELT |
| E4 | 2 | 30.0153 | CIRCUIT BREAKER 6 AMP |
| E5 | 1 | 30.0114 | CIRCUIT BREAKER 15 AMP |
| E6 | 2 | 30.0119 | CIRCUIT BREAKER 20 AMP |
| E7 | 1 | 30.0120 | CIRCUIT BREAKER 30 AMP |
| E8 | | | |
| E9 | 1 | 33.0031 | SEAT BELT LIGHT |
| E10 | 1 | 33.0031 | OIL LIGHT |
| E11 | | | |
| E12 | 1 | 33.0020 | PTO LIGHT |
| E13 | 5 | 35.0089 | 5 POLE RELAY |
| E14 | | | |
| E15 | | | |
| E16 | 1 | 13.0078 | IGN. SWITCH |
| E17 | 1 | 31.0022 | PTO SWITCH |
| E18 | 1 | 35.0087 | VOLT METER |

| ITEM | # | PART # | DESCRIPTION |
|------|---|---------|--------------------------------|
| E19 | | | |
| E20 | 1 | 35.0094 | TEMPERATURE GAUGE |
| E21 | 1 | 31.0031 | NEUTRAL SWITCH |
| E22 | 1 | 13.0075 | TEMP SENDER |
| E23 | 1 | 12.0076 | OIL SENDER |
| E24 | 2 | 33.0021 | HEAD LIGHT |
| E25 | 1 | 37.0018 | PTO CLUTCH |
| E26 | 1 | 33.0030 | BATTERY |
| E27 | 1 | 30.0125 | 3 GANG BUSS BAR |
| E28 | 1 | 30.0124 | 6 GANG CIRCUIT BREAKER BRACKET |
| E29 | 1 | 31.0022 | LIGHT SWITCH |
| E30 | | | |
| E31 | 1 | 33.0031 | TEMPERATURE LIGHT |
| E32 | | | |
| E33 | | | |
| E34 | | | |
| E35 | | | |
| E36 | | | |

PARTS

FIGURE 2 KUBOTA WIRING



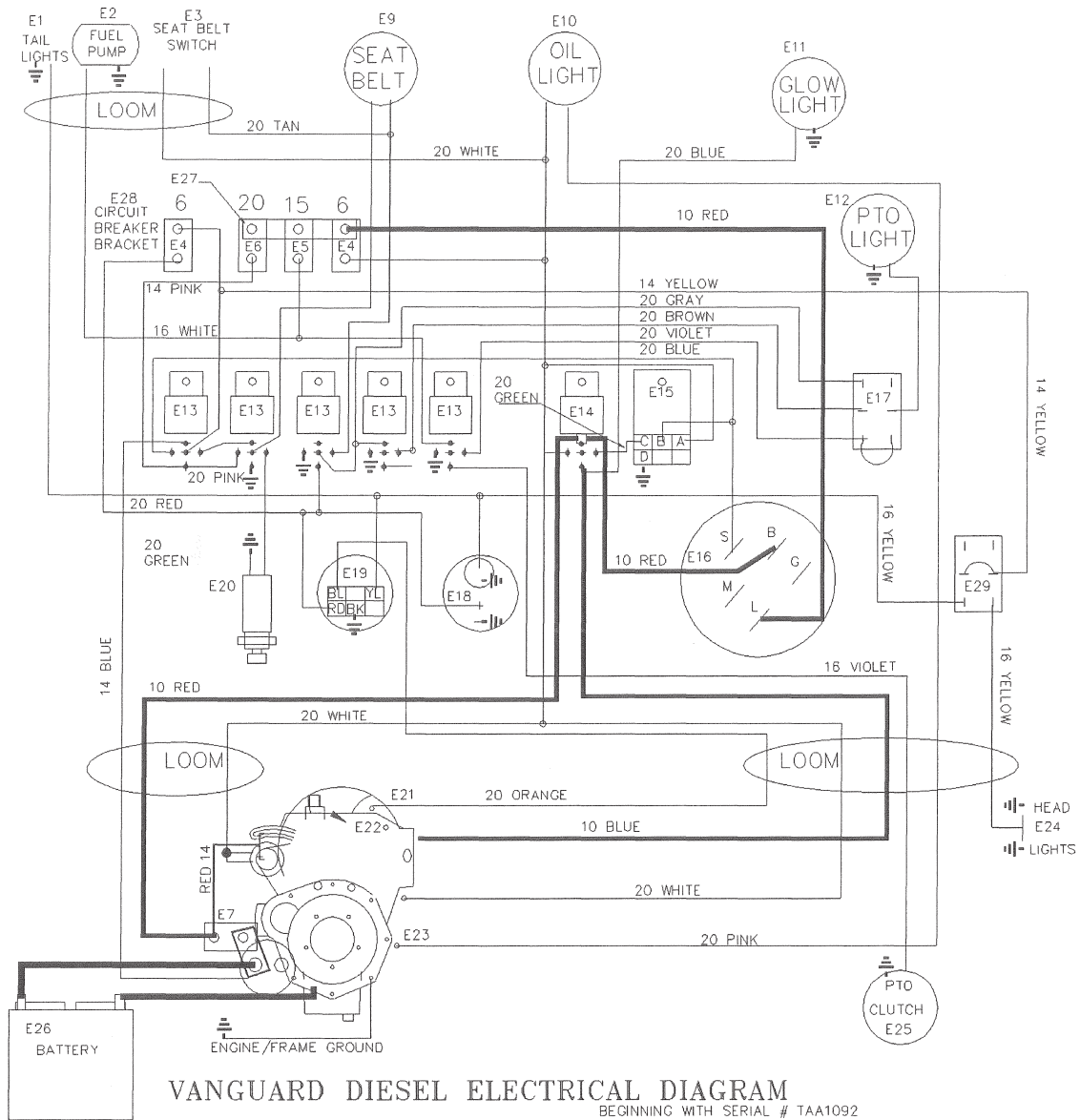
KUBOTA GAS ELECTRICAL DIAGRAM

BEGINNING WITH SERIAL # 1106

| ITEM | # | PART # | DESCRIPTION | ITEM | # | PART # | DESCRIPTION |
|------|---|---------|------------------------|------|---|---------|--------------------------------|
| E1 | 2 | 33.0022 | TAIL LIGHT | E19 | 1 | 35.0094 | TEMPERATURE GAUGE |
| E2 | 1 | 13.0312 | FUEL PUMP | E20 | 1 | 31.0031 | NEUTRAL SWITCH |
| E3 | 1 | 47.0104 | SEAT BELT SWITCH | E21 | 1 | 13.0066 | TEMP SENDER |
| E4 | 2 | 30.0153 | CIRCUIT BREAKER 6 AMP | E22 | 1 | | |
| E5 | 1 | 30.0114 | CIRCUIT BREAKER 15 AMP | E23 | 1 | 13.0070 | OIL SENDER |
| E6 | 1 | 30.0119 | CIRCUIT BREAKER 20 AMP | E24 | 2 | 33.0021 | HEAD LIGHT |
| E7 | 1 | 30.0120 | CIRCUIT BREAKER 30 AMP | E25 | 1 | 37.0018 | PTO CLUTCH |
| E8 | | | | E26 | 1 | 33.0030 | BATTERY |
| E9 | 1 | 33.0031 | SEAT BELT LIGHT | E27 | 1 | 30.0125 | 3 GANG BUSS BAR |
| E10 | 1 | 33.0031 | OIL LIGHT | E28 | 1 | 30.0124 | 6 GANG CIRCUIT BREAKER BRACKET |
| E11 | | | | E29 | 1 | 31.0022 | LIGHT SWITCH |
| E12 | 1 | 33.0020 | PTO LIGHT | E30 | 1 | 33.0021 | COIL |
| E13 | 5 | 35.0089 | 5 POLE RELAY | E31 | | | |
| E14 | | | | E32 | | | |
| E15 | | | | E33 | | | |
| E16 | 1 | 13.0078 | IGN. SWITCH | E34 | | | |
| E17 | 1 | 31.0022 | PTO SWITCH | E35 | | | |
| E18 | 1 | 35.0087 | VOLT METER | E36 | | | |

PARTS

FIGURE 3 VANGUARD DIESEL WIRING

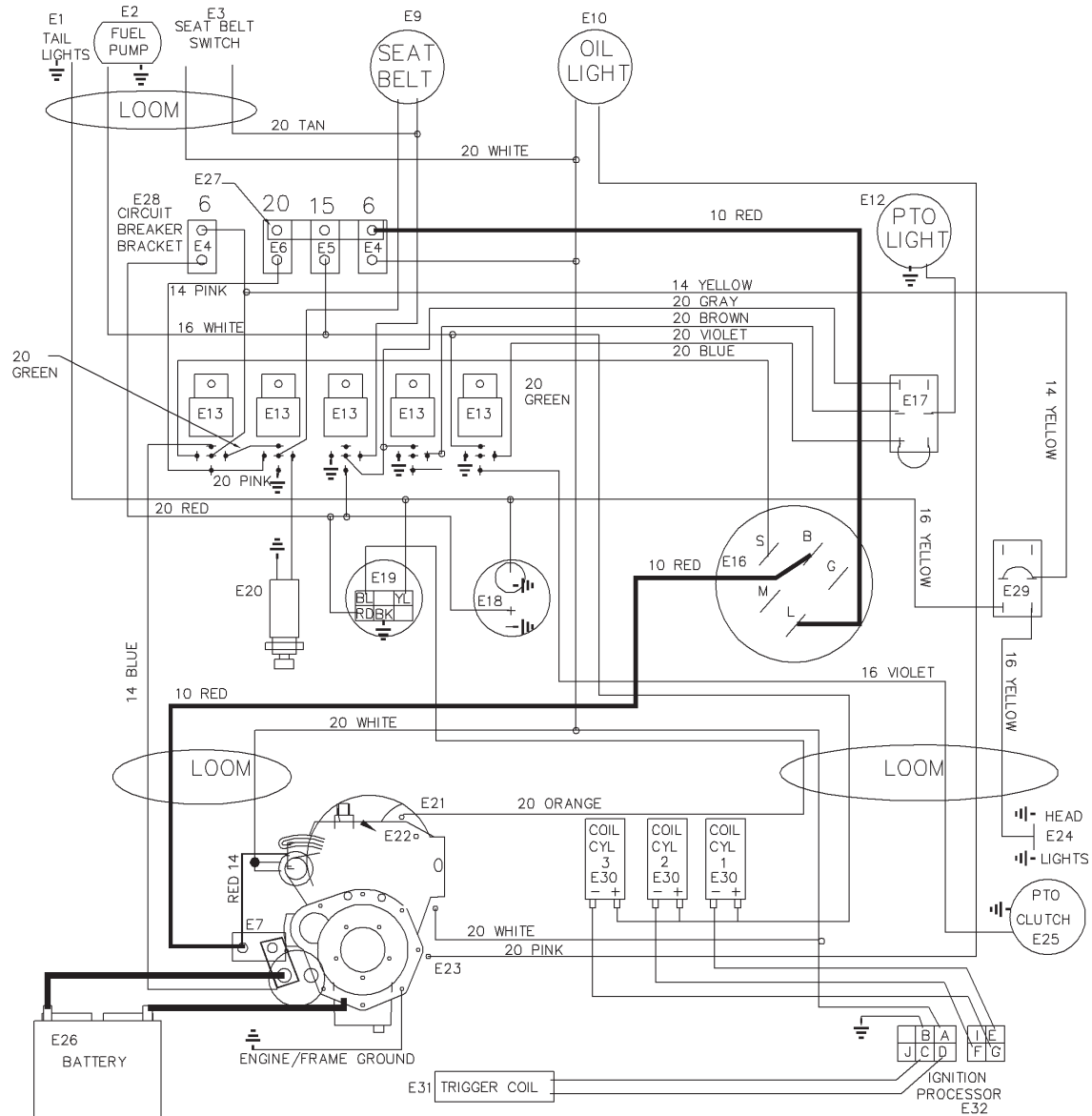


| ITEM # | PART # | DESCRIPTION |
|--------|--------|--------------------------------|
| E1 | 2 | 33.0022 TAIL LIGHT |
| E2 | 1 | 70.4084 FUEL PUMP |
| E3 | 1 | 47.0104 SEAT BELT SWITCH |
| E4 | 2 | 30.0153 CIRCUIT BREAKER 6 AMP |
| E5 | 1 | 30.0114 CIRCUIT BREAKER 15 AMP |
| E6 | 1 | 30.0119 CIRCUIT BREAKER 20 AMP |
| E7 | 1 | 30.0120 CIRCUIT BREAKER 30 AMP |
| E8 | | |
| E9 | 1 | 33.0031 SEAT BELT LIGHT |
| E10 | 1 | 33.0031 OIL LIGHT |
| E11 | 1 | 33.0032 GLOW PLUG LIGHT |
| E12 | 1 | 33.0020 PTO LIGHT |
| E13 | 5 | 35.0089 5 POLE RELAY |
| E14 | 1 | 35.0097 4 POLE RELAY |
| E15 | 1 | 13.0071 GLOW PLUG TIMER |
| E16 | 1 | 13.0062 IGN. SWITCH |
| E17 | 1 | 31.0022 PTO SWITCH |
| E18 | 1 | 35.0087 VOLT METER |

| ITEM # | PART # | DESCRIPTION |
|--------|--------|----------------------------------------|
| E19 | 1 | 35.0094 TEMPERATURE GAUGE |
| E20 | 1 | 31.0031 NEUTRAL SWITCH |
| E21 | 1 | 13.0066 TEMP SENDER |
| E22 | 3 | 13.0067 GLOW PLUGS |
| E23 | 1 | 13.0069 OIL SENDER |
| E24 | 2 | 33.0021 HEAD LIGHT |
| E25 | 1 | 37.0018 PTO CLUTCH |
| E26 | 1 | 33.0030 BATTERY |
| E27 | 1 | 30.0125 3 GANG BUSS BAR |
| E28 | 1 | 30.0124 6 GANG CIRCUIT BREAKER BRACKET |
| E29 | 1 | 31.0022 LIGHT SWITCH |
| E30 | | |
| E31 | | |
| E32 | | |
| E33 | | |
| E34 | | |
| E35 | | |
| E36 | | |

PARTS

FIGURE 4 VANGUARD GAS WIRING



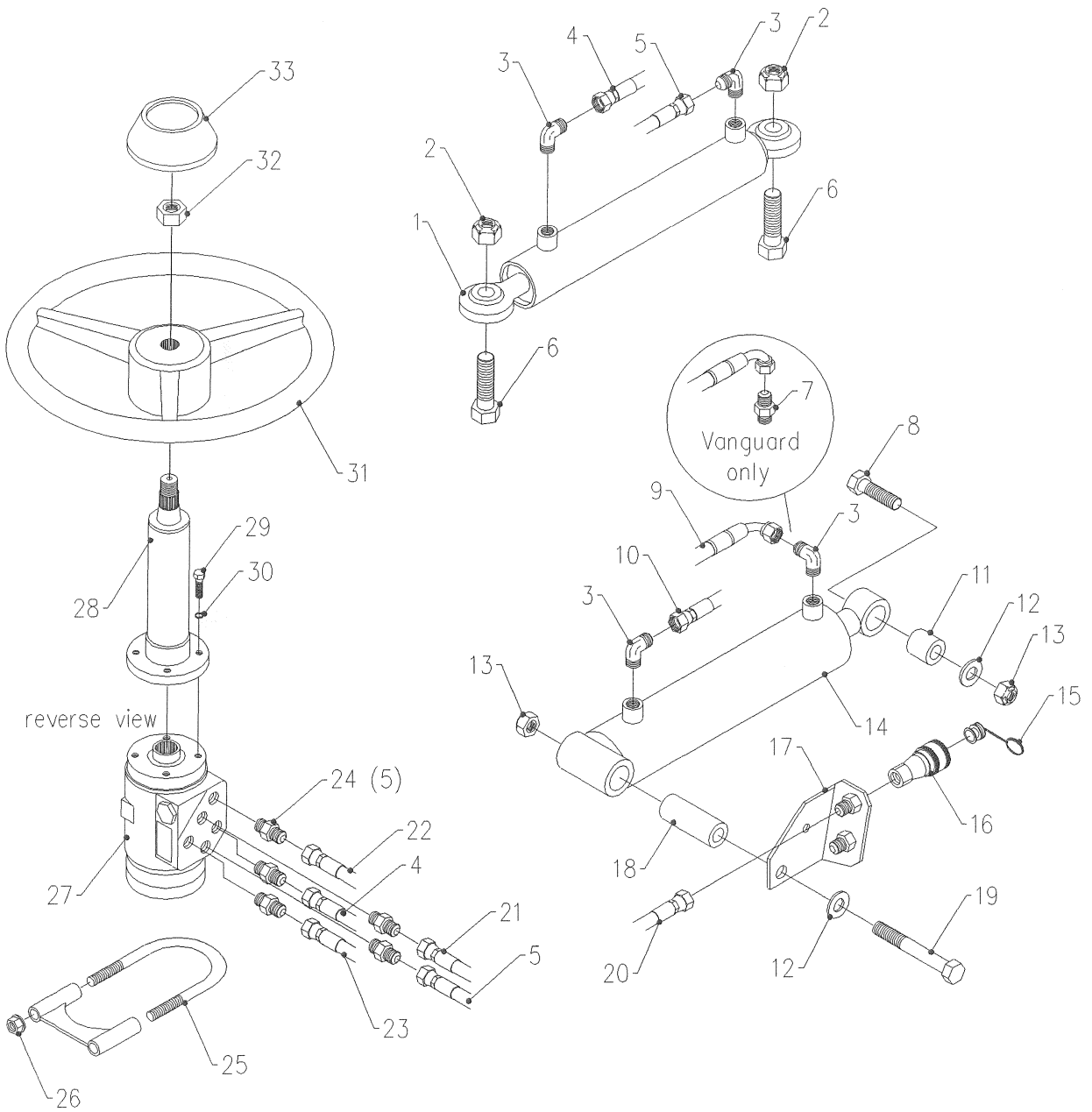
VANGUARD GAS ELECTRICAL DIAGRAM
BEGINNING WITH SERIAL # 1108

| ITEM | # | PART # | DESCRIPTION |
|------|---|---------|------------------------|
| E1 | 2 | 33.0022 | TAIL LIGHT |
| E2 | 1 | 13.0133 | FUEL PUMP |
| E3 | 1 | 47.0104 | SEAT BELT SWITCH |
| E4 | 2 | 30.0153 | CIRCUIT BREAKER 6 AMP |
| E5 | 1 | 30.0114 | CIRCUIT BREAKER 15 AMP |
| E6 | 1 | 30.0119 | CIRCUIT BREAKER 20 AMP |
| E7 | 1 | 30.0120 | CIRCUIT BREAKER 30 AMP |
| E8 | | | |
| E9 | 1 | 33.0031 | SEAT BELT LIGHT |
| E10 | 1 | 33.0031 | OIL LIGHT |
| E11 | 1 | | |
| E12 | 1 | 33.0020 | PTO LIGHT |
| E13 | 5 | 35.0089 | 5 POLE RELAY |
| E14 | 1 | | |
| E15 | 1 | | |
| E16 | 1 | 13.0078 | IGN. SWITCH |
| E17 | 1 | 31.0022 | PTO SWITCH |
| E18 | 1 | 35.0087 | VOLT METER |

| ITEM | # | PART # | DESCRIPTION |
|------|---|-----------|--------------------------------|
| E19 | 1 | 35.0094 | TEMPERATURE GAUGE |
| E20 | 1 | 31.0031 | NEUTRAL SWITCH |
| E21 | 1 | 13.0066 | TEMP SENDER |
| E22 | | | |
| E23 | 1 | 13.0069 | OIL SENDER |
| E24 | 2 | 33.0021 | HEAD LIGHT |
| E25 | 1 | 37.0018 | PTO CLUTCH |
| E26 | 1 | 33.0030 | BATTERY |
| E27 | 1 | 30.0125 | 3 GANG BUSS BAR |
| E28 | 1 | 30.0124 | 6 GANG CIRCUIT BREAKER BRACKET |
| E29 | 1 | 31.0022 | LIGHT SWITCH |
| E30 | 3 | 13.820027 | COIL |
| E31 | 1 | 13.0123 | TRIGGER COIL |
| E32 | 1 | 13.0124 | IGN. PROCESSOR |
| E33 | | | |
| E34 | | | |
| E35 | | | |
| E36 | | | |

PARTS

FIGURE 5 ILLUSTRATED DRAWING STEERING & LIFT



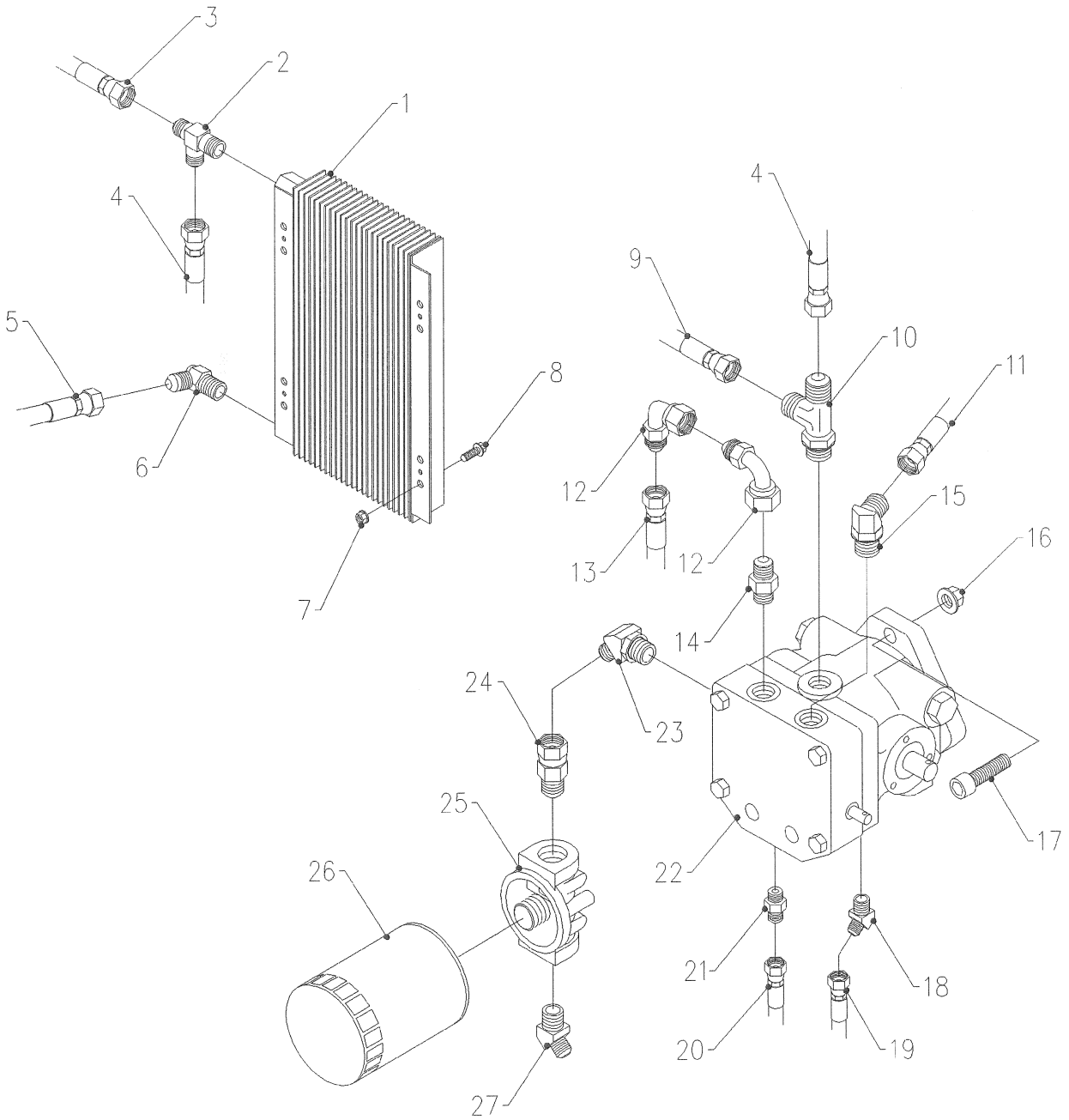
PARTS

FIGURE 5 STEERING & LIFT

| REF. | PART NO. | DESCRIPTION | QTY. |
|------|---------------|------------------------------------|------|
| 1 | 23.0108. | Steering Cylinder. | 1 |
| 2 | 99.A10F | 5/8 SAE Locknut. | 2 |
| 3 | 25.2501-06-04 | Hyd. Fitting 90 deg - 3/8 x 1/4 | 4 |
| 4 | 20.0135. | Hyd. Hose - 1/4 x 48. | 1 |
| 5 | 20.0136. | Hyd. Hose - 1/4 x 36. | 1 |
| 6 | 91.1018. | 5/8 x 2-1/4 SAE Bolt. | 2 |
| 7 | 25.2404-06-04 | Hyd. Fitting Connector - 3/8 x 1/4 | 1 |
| 8 | 90.0818. | 1/2 x 2-1/4 USS Bolt. | 1 |
| 9 | 20.0138. | Hyd. Hose - 1/4 x 60. | 1 |
| 10 | 20.0137. | Hyd. Hose - 1/4 x 60. | 1 |
| 11 | 64.0749. | Cylinder Bushing (front) | 1 |
| 12 | 95.08 | 1/2 SAE Flat Washer. | 2 |
| 13 | 99.A08 | 1/2 USS Locknut. | 2 |
| 14 | 23.0103. | Lift Cylinder | 1 |
| 15 | 23.0107. | Hyd. Coupler Plug | 2 |
| 16 | 23.0106. | Hyd. Coupler. | 2 |
| 17 | 64.0692. | Quick Coupler Bracket. | 1 |
| 18 | 64.0675. | Cylinder Bushing (rear) | 1 |
| 19 | 90.0830. | 1/2 x 3-3/4 USS Bolt. | 1 |
| 20 | 20.0139. | Hyd. Hose - 1/4 x 58. | 2 |
| 21 | 20.0131. | Hyd. Hose - 3/8 x 72. | 1 |
| 22 | 20.0134. | Hyd. Hose - 1/4 x 18. | 1 |
| 23 | 20.0130. | Hyd. Hose - 3/8 x 40. | 1 |
| 24 | 25.6400-06-06 | Hyd. Fitting Connector - 3/8 x 3/8 | 5 |
| 25 | 11.0042. | 3/8 x 2-3/4 USS U-Bolt. | 1 |
| 26 | 99.SF06 | 3/8 USS Flange Nut | 2 |
| 27 | 23.0097. | Steering Valve | 1 |
| 28 | 47.0123. | Steering Column | 1 |
| 29 | 99.M0002. | M6 x 16 x 1 Bolt | 4 |
| 30 | 96.04 | 1/4 Lock Washer. | 4 |
| 31 | 47.0117. | Steering Wheel. | 1 |
| 32 | 99.M0003. | 16MM x 1.5 Nut | 1 |
| 33 | 47.0118. | Steering Wheel Cap | 1 |

PARTS

FIGURE 6
ILLUSTRATED DRAWING
PUMP, OIL COOLER, FRONT FILTER



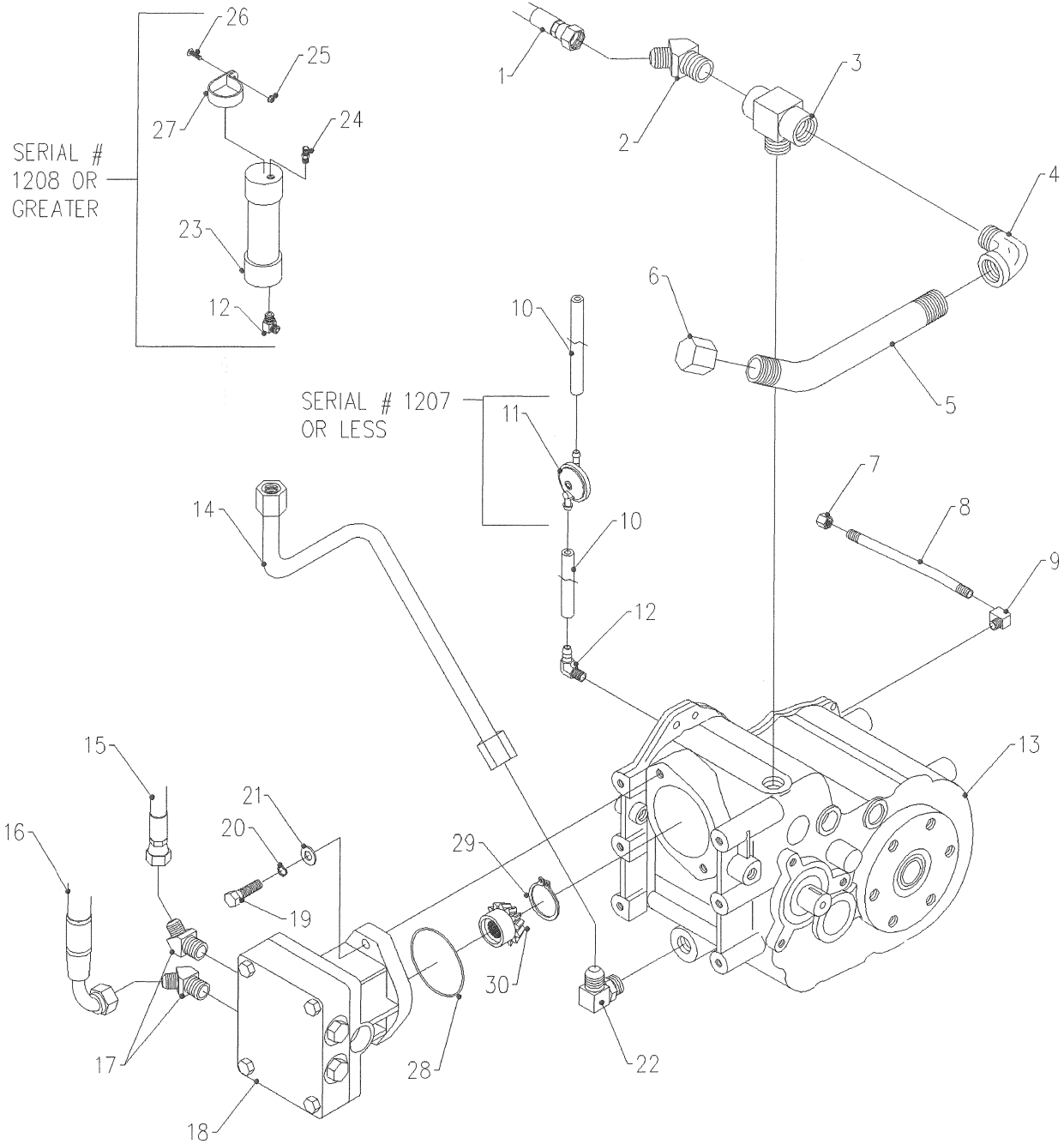
PARTS

FIGURE 6 PUMP, OIL COOLER, FRONT FILTER

| REF. | PART NO. | DESCRIPTION | QTY. |
|------|---------------|---------------------------------------|------|
| 1 | 21.0083. | Oil Cooler | 1 |
| 2 | 25.2605-8-8-8 | Hyd. Fitting Tee - 1/2 x 1/2 x 1/2 | 1 |
| 3 | 22.0018. | Hyd. Hose - 3/8 x 75 | 1 |
| 4 | 22.0015. | Hyd. Hose - 1/2 x 10-1/4 | 1 |
| 5 | 22.0014. | Hyd. Hose - 1/2 x 27 | 1 |
| 6 | 25.2503-08-08 | Hyd. Fitting 45 deg. - 1/2 x 1/2 | 1 |
| 7 | 99.SF04 | 1/4 USS Flange Nut | 4 |
| 8 | 99.SF0404 | 1/4 x 1/2 USS Flange Bolt | 4 |
| 9 | 20.0134. | Hyd. Hose - 1/4 x 18 | 1 |
| 10 | 25.6804-8-8-8 | Hyd. Fitting Tee - 1/2 x 1/2 x 1/2 | 1 |
| 11 | 20.0129. | Hyd. Hose - 1/2 x 31 | 1 |
| 12 | 25.63UA-08-08 | Hyd. Fitting 90 deg. Sweep -1/2 x 1/2 | 2 |
| 13 | 20.0128. | Hyd. Hose - 1/2 x 50 | 1 |
| 14 | 25.6400-08-08 | Hyd. Fitting Connector - 1/2 x 1/2 | 1 |
| 15 | 25.6802-08-08 | Hyd. Fitting 45 deg. - 1/2 x 1/2 | 1 |
| 16 | 99.SF08 | 1/2 USS Flange Nut | 2 |
| 17 | 99.K0039. | 1/2 x 1-1/2 USS Socket Head Bolt. | 2 |
| 18 | 25.6802-06-06 | Hyd. Fitting 45 deg. - 3/8 x 3/8 | 1 |
| 19 | 20.0133. | Hyd. Hose - 3/8 x 40 | 1 |
| 20 | 20.0130. | Hyd. Hose - 3/8 x 40 | 1 |
| 21 | 25.6400-06-06 | Hyd. Fitting Connector - 3/8 x 3/8 | 1 |
| 22 | 21.0080. | Hyd. Pump | 1 |
| 23 | 25.6802-10-10 | Hyd. Fitting 45 deg. - 5/8 x 5/8 | 1 |
| 24 | 25.6505-08-10 | Hyd. Fitting Adapter - 1/2 x 5/8 | 1 |
| 25 | 21.0082. | Filter Head | 1 |
| 26 | 21.0001. | 25 Micron Hyd. Filter | 1 |
| 27 | 25.2503-10-08 | Hyd. Fitting 45 deg. - 5/8 x 1/2 | 1 |

PARTS

FIGURE 7 ILLUSTRATED DRAWING FRONT TRANSAXLE



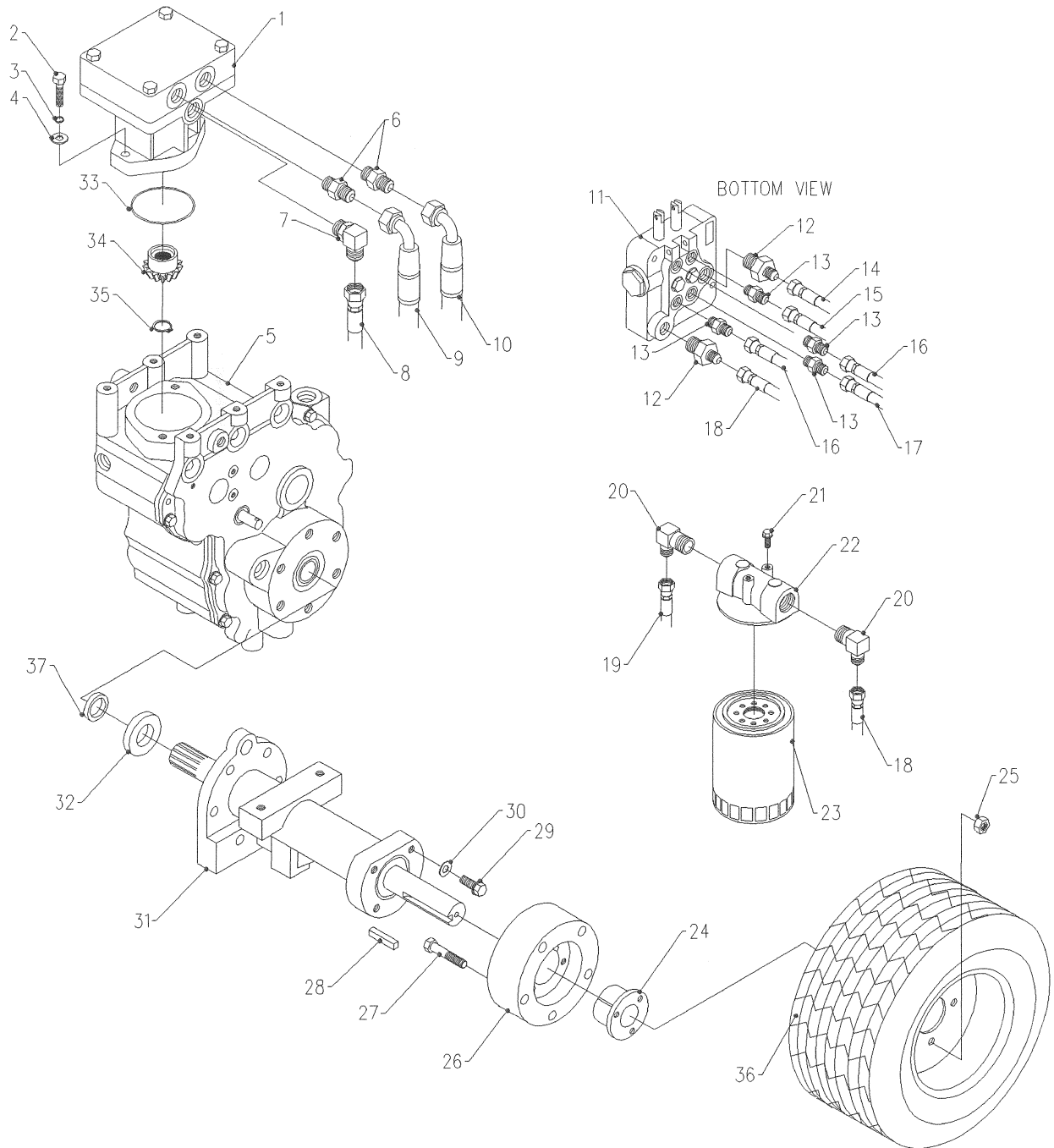
PARTS

FIGURE 7 FRONT TRANSAXLE

| REF. | PART NO. | DESCRIPTION | QTY. |
|------|------------------|----------------------------------------|------|
| 1 | 22.0014. | Hyd. Hose - 1/2 x 27 | 1 |
| 2 | 25.2503-08-12 | Hyd. Fitting 45 deg. - 1/2 x 3/4 | 1 |
| 3 | 25.5604-12-12-12 | Hyd. Fitting Tee - 3/4 x 3/4 x 3/4 | 1 |
| 4 | 29.S9012G | Pipe Fitting 90 deg. Street - 3/4 | 1 |
| 5 | 24.0008. | Transaxle Filler Tube. | 1 |
| 6 | 29.C12H | Pipe Cap - 3/4 NPT | 1 |
| 7 | 29.C02H | Pipe Cap - 1/8 NPT | 1 |
| 8 | 24.0007. | Fluid Level Tube | 1 |
| 9 | 29.S9002B | Brass Pipe Fitting 90 deg. - 1/8 | 1 |
| 10 | 27.A04-31IN | *1/4 Rubber Hose x 31 | 1 |
| 11 | 13.0079. | Air Release Valve | 1 |
| 12 | 29.BF04MP0290 | Brass Pipe Fitting 90 deg. - 1/4 x 1/8 | 2 |
| 13 | 51.0020. | Transaxle. | 1 |
| 14 | 20.0126. | Suction Tube. | 1 |
| 15 | 20.0127. | Hyd. Hose - 1/2 x 62 | 1 |
| 16 | 20.0129. | Hyd. Hose - 1/2 x 31 | 1 |
| 17 | 25.6802-08-08 | Hyd. Fitting 45 deg. - 1/2 x 1/2. | 2 |
| 18 | 21.0081. | Hyd. Motor (Remove Seal). | 1 |
| 19 | 90.0612. | 3/8 x 1-1/2 USS Bolt | 2 |
| 20 | 96.06 | 3/8 Lock Washer | 2 |
| 21 | 95.06 | 3/8 SAE Flat Washer. | 2 |
| 22 | 25.6801-10-10 | Hyd. Fitting 90 deg. - 5/8 x 5/8. | 1 |
| 23 | 47.0177. | Bypass Tube | 1 |
| 24 | 29.BF04MP02 | Brass Pipe Fitting St. -1/8 | 1 |
| 25 | 99.E0035. | 10-32 Flange Nut | 1 |
| 26 | 99.K0080. | 10-32 x 3/4 Machine Screw | 1 |
| 27 | 30.0168. | Nylon Clamp | 1 |
| 28 | 26.0012. | O-Ring | 1 |
| 29 | 04.0015. | Snap Ring - External | 1 |
| 30 | 87.0165. | Bevel Gear | 1 |

PARTS

FIGURE 8 ILLUSTRATED DRAWING REAR TRANSAXLE & HYDRAULICS



PARTS

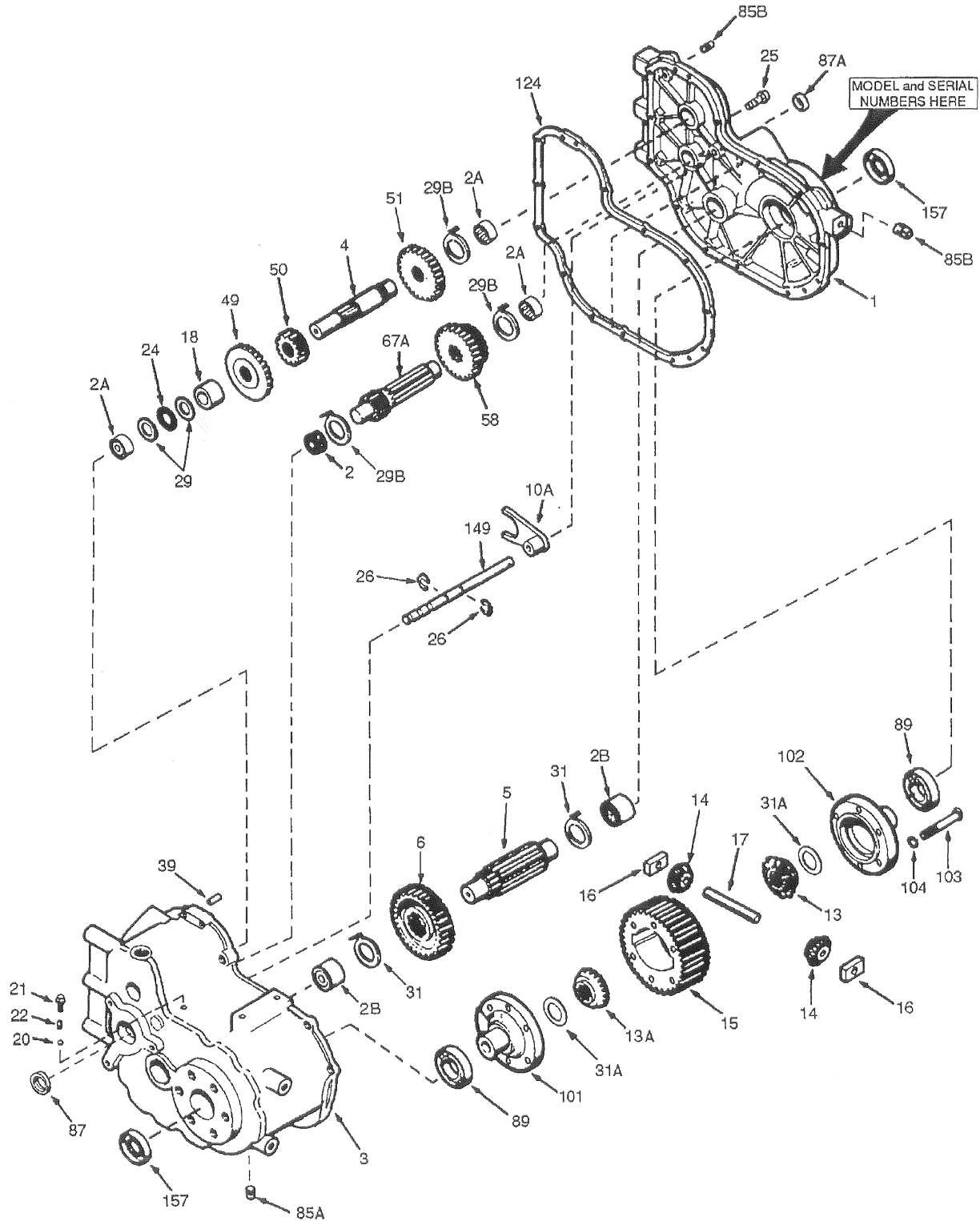
FIGURE 8 REAR TRANSAXLE & HYDRAULICS

| REF. | PART NO. | DESCRIPTION | QTY. |
|------|---------------|------------------------------------|------|
| 1 | 21.0081. | Hydraulic Motor | 1 |
| 2 | 90.0612. | 3/8 x 1-1/2 USS Bolt | 2 |
| 3 | 96.06 | 3/8 Lock Washer | 2 |
| 4 | 95.06 | 3/8 SAE Flat Washer | 2 |
| 5 | 51.0020. | Transaxle. | 1 |
| 6 | 25.6400-08-08 | Hyd. Fitting Connector - 1/2 x 1/2 | 2 |
| 7 | 25.6801-08-08 | Hyd. Fitting 90 deg. - 1/2 x 1/2 | 1 |
| 8 | 22.0018. | Hyd. Hose - 3/8 x 75 | 1 |
| 9 | 20.0127. | Hyd. Hose - 1/2 x 62 | 1 |
| 10 | 20.0128. | Hyd. Hose - 1/2 x 50 | 1 |
| 11 | 23.0109. | *2 Spool Valve with Float. | 1 |
| 12 | 25.6400-06-08 | Hyd. Fitting Connector - 3/8 x 1/2 | 2 |
| 13 | 25.6400-06-06 | Hyd. Fitting Connector - 3/8 x 3/8 | 4 |
| 14 | 20.0131. | Hyd. Hose - 3/8 x 72 | 1 |
| 15 | 20.0137. | Hyd. Hose - 1/4 x 60 | 1 |
| 16 | 20.0139. | Hyd. Hose - 1/4 x 58 | 2 |
| 17 | 20.0138. | Hyd. Hose - 1/4 x 60 | 1 |
| 18 | 20.0132. | Hyd. Hose - 3/8 x 32 | 1 |
| 19 | 20.0133. | Hyd. Hose - 3/8 x 40 | 1 |
| 20 | 25.2501-06-08 | Hyd. Fitting 90 deg - 3/8 x 1/2 | 2 |
| 21 | 99.SF0404 | 1/4 x 1/2 USS Flange Bolt | 2 |
| 22 | 21.0082. | Filter Head | 1 |
| 23 | 21.0078. | 10 Micron Hyd. Filter. | 1 |
| 24 | 83.P130MM | 30MM P1 Bushing | 4 |
| 25 | 99.E0044 | 7/16 SAE Wheel Nut | 20 |
| 26 | 50.0042. | Wheel Hub | 4 |
| 27 | 91.0720. | 7/16 x 2-1/2 SAE Bolt | 20 |
| 28 | 85.K0512. | 5/16 x 1-1/2 Key | 4 |
| 29 | 99.SF0606 | 3/8 x 3/4 USS Flange Bolt. | 16 |
| 30 | 94.06 | 3/8 USS Flat Washer | 16 |
| 31 | 51.0021. | Axle Assembly | 4 |
| 32 | 51.0022. | Axle Spacer | 4 |
| 33 | 26.0012. | O-Ring | 1 |
| 34 | 87.0165. | Bevel Gear | 1 |
| 35 | 04.0015. | Snap Ring - External. | 1 |
| 36 | 53.0077. | Turf Tire | 4 |
| | 53.0087. | Optional Bar Tire | 4 |
| 37 | 89.0049. | Axle Seal. | 2 |

*Float Kit - Part # 23.0111-7

PARTS

FIGURE 9 ILLUSTRATED DRAWING MODEL 2600 TRANSAXLE



PARTS

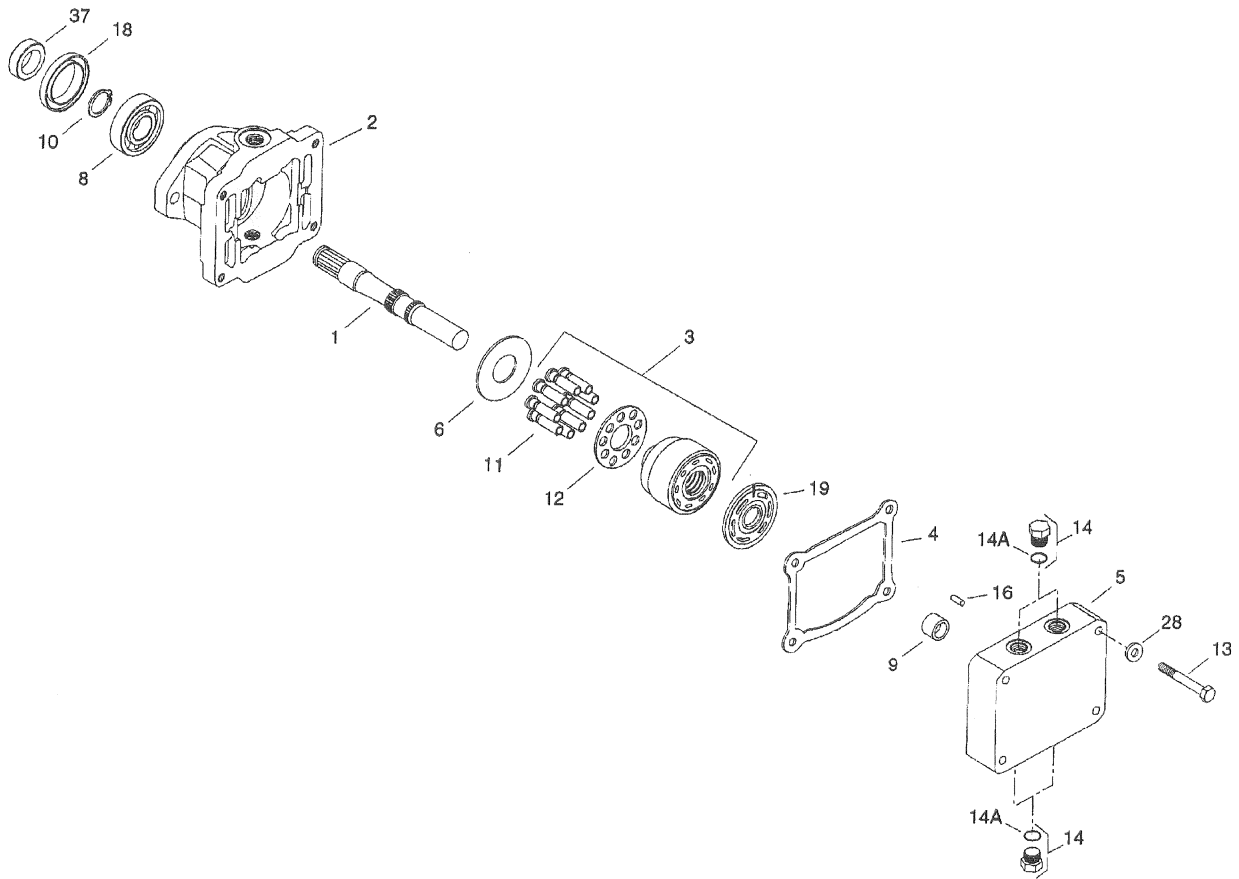
FIGURE 9 MODEL 2600 TRANSAXLE

| REF. | PART NO. | DESCRIPTION | QTY. |
|---------------|-------------------|----------------------------------------------|------|
| 1 | 51.0026 | Transaxle Cover (Includes 2A & 2B) | 1 |
| 2 | 55.0037 | Needle Bearing 1" ID. | 1 |
| 2A | 55.0038 | Needle Bearing 1" ID. | 3 |
| 2B | 55.0041 | Needle Bearing 1-1/4" ID | 2 |
| 3 | 51.0025 | Transaxle Case | 1 |
| 10A | 51.0030 | Shift Fork | 1 |
| <hr/> | | | |
| 13 | 51.0031 | Bevel Gear (16 teeth - steel) | 1 |
| 13A | 51.0031 | Bevel Gear (16 teeth - steel) | 1 |
| 14 | 51.0033 | Bevel Pinion | 2 |
| 29B | 51.0032 | Thrust Washer (1.002 ID x .058 W) | 3 |
| 31A | 51.0028 | Thrust Washer (1.75 ID x .031 W) | 2 |
| 39 | 51.0029 | Dowel Pin (5/16 x 3/4) | 2 |
| <hr/> | | | |
| 87 | 89.0046 | Brake Shaft Seal | 1 |
| 87A | 89.0047 | Shifter Rod Seal | 1 |
| 89 | 55.0039 | Ball Bearing (1.5743 ID) | 1 |
| 124 | 89.0051 | Gasket | 1 |
| 149 | 51.0027 | Shift Rod (High-Low) | 1 |
| 157 | 89.0049 | Axle Seal | 2 |

Listed items are stocked. Check availability of unlisted parts.

PARTS

FIGURE 10
ILLUSTRATED DRAWING
MODEL 15 MOTOR



PARTS

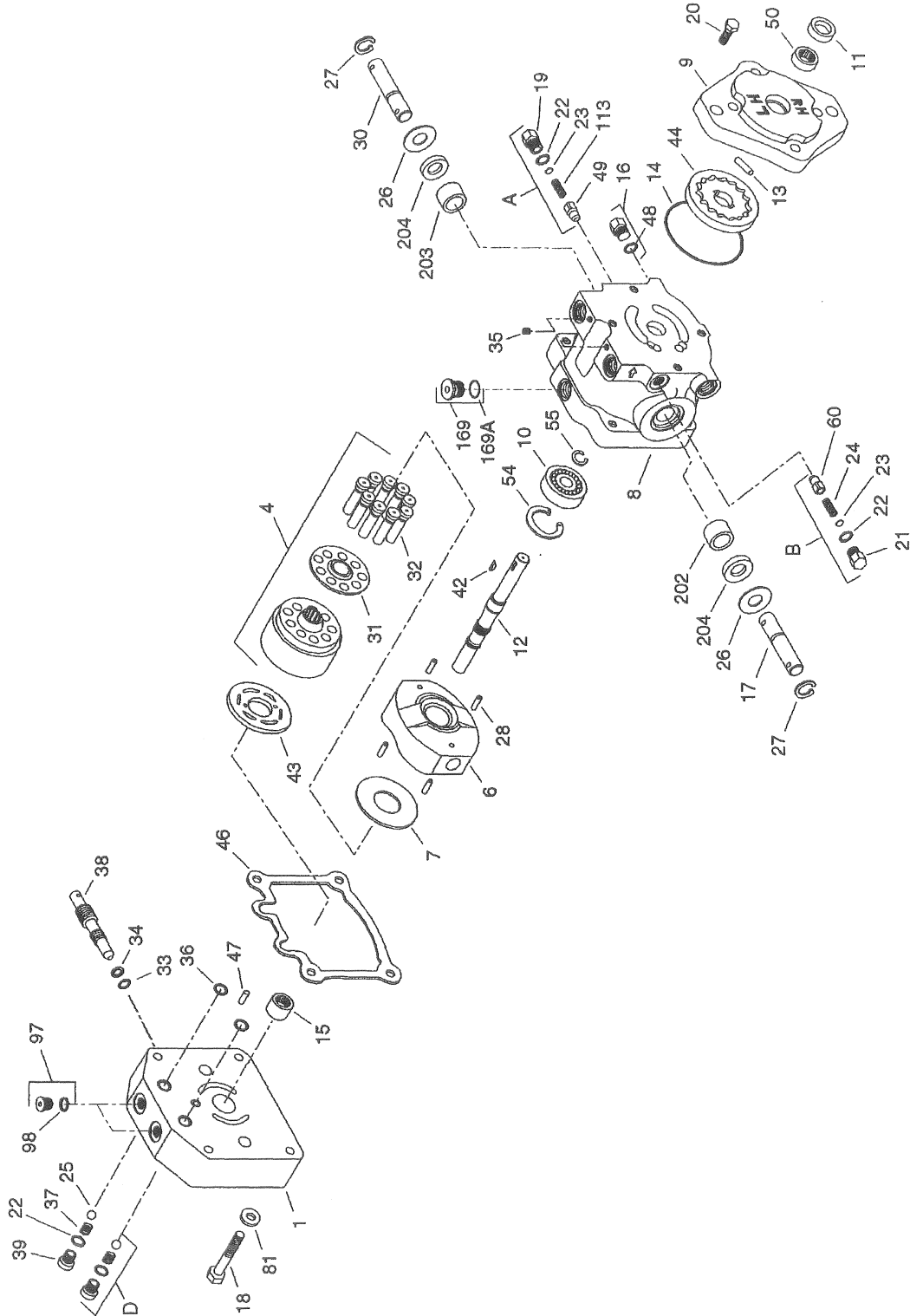
FIGURE 10 MODEL 15 MOTOR

| REF. | PART NO. | DESCRIPTION | QTY. |
|--------------|------------------|------------------------|------|
| 4 | 89.0055. | Gasket | 1 |
| 6 | 21.0019. | Thrust Plate | 1 |
| 9 | 55.0036. | DU Bearing. | 1 |
| 19 | 21.0088. | Valve Plate | 1 |

Listed items are stocked. Check availability of unlisted parts.

PARTS

FIGURE 11 ILLUSTRATED DRAWING MODEL 15 PUMP



Note: Item 8 includes items 202, 203 and 204

PARTS

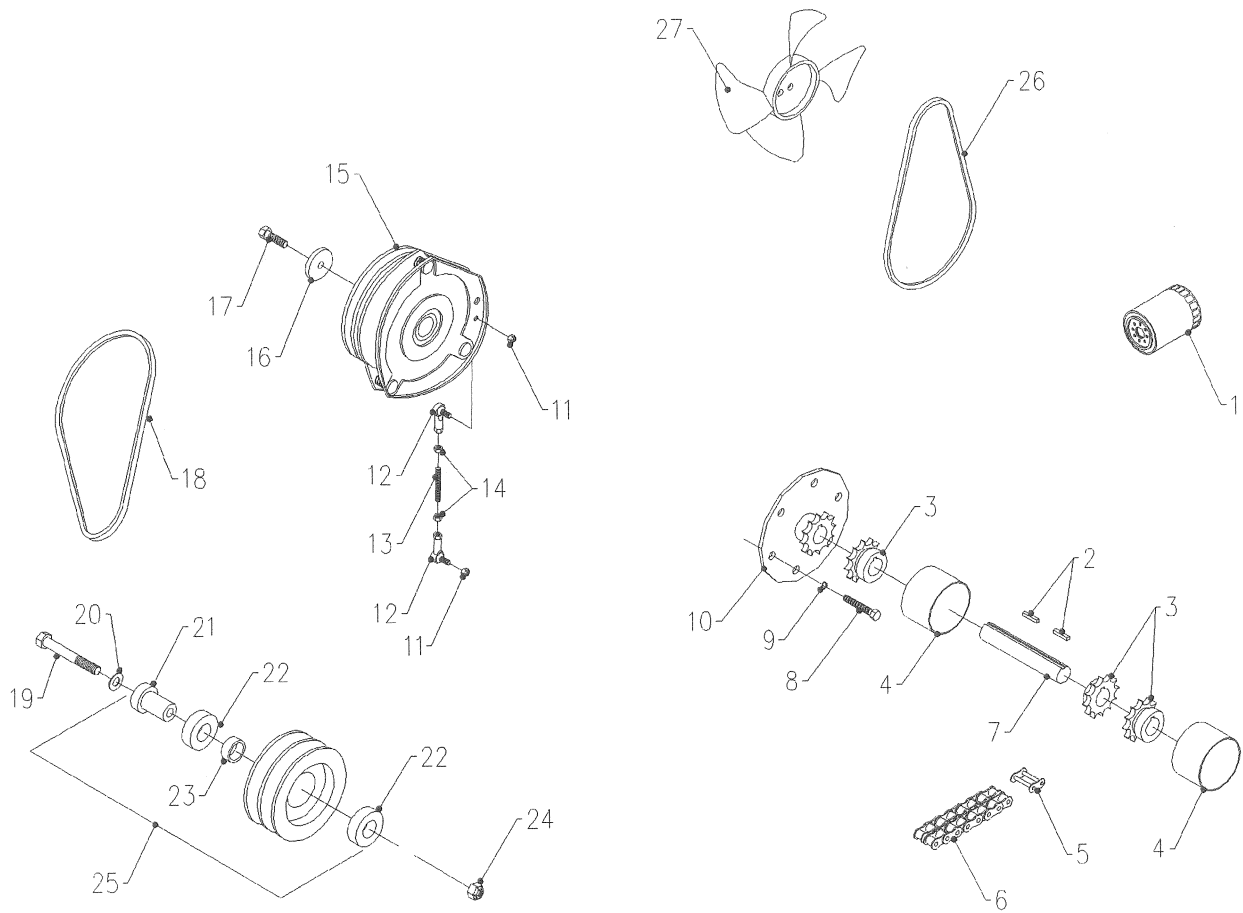
FIGURE 11 MODEL 15 PUMP

| REF. | PART NO. | DESCRIPTION | QTY. |
|---------------|----------------------|---------------------------------|------|
| 4 | 21.0099 | Cylinder Block Kit | 1 |
| 6 | 21.0101 | Swashplate. | 1 |
| 7 | 21.0019 | Thrust Plate | 1 |
| 9 | 21.0031 | Housing - Charge Pump | 1 |
| 10 | 55.0034 | Ball Bearing | 1 |
| 11 | 89.0052 | Lip Seal | 1 |
| 12 | 21.0028 | Pump Shaft | 1 |
| 13 | 21.0073 | 1/8 x 1 Pin | 1 |
| 14 | 26.0008 | O-Ring | 1 |
| 15 | 55.0025 | Roller Bearing | 1 |
| 17 | 21.0075 | Trunnion Shaft | 1 |
| 19 | 21.0089 | Plug - Relief Valve | 1 |
| 22 | 26.0013 | O-Ring | 1 |
| 24 | 21.0087 | Spring - Relief Valve | 1 |
| 26 | 21.0049 | Washer. | 2 |
| 27 | 04.0014 | Retaining Ring | 2 |
| 28 | 02.CP0605C | Pin - Coiled. | 1 |
| 36 | 26.0009 | O-Ring | 2 |
| 42 | 85.W0305 | Woodruff Key. | 1 |
| 43 | 21.0026 | Valve Plate | 1 |
| 44 | 21.0027 | Gerotor Assembly | 1 |
| 46 | 89.0054 | Gasket | 1 |
| 50 | 55.0024 | Needle Bearing | 1 |
| 202 | 85.B0067 | Journal Bearing | 1 |
| 204 | 89.0053 | Lip Seal | 1 |

Listed items are stocked. Check availability of unlisted parts.

PARTS

FIGURE 12
ILLUSTRATED DRAWING
KAWASAKI ENGINE



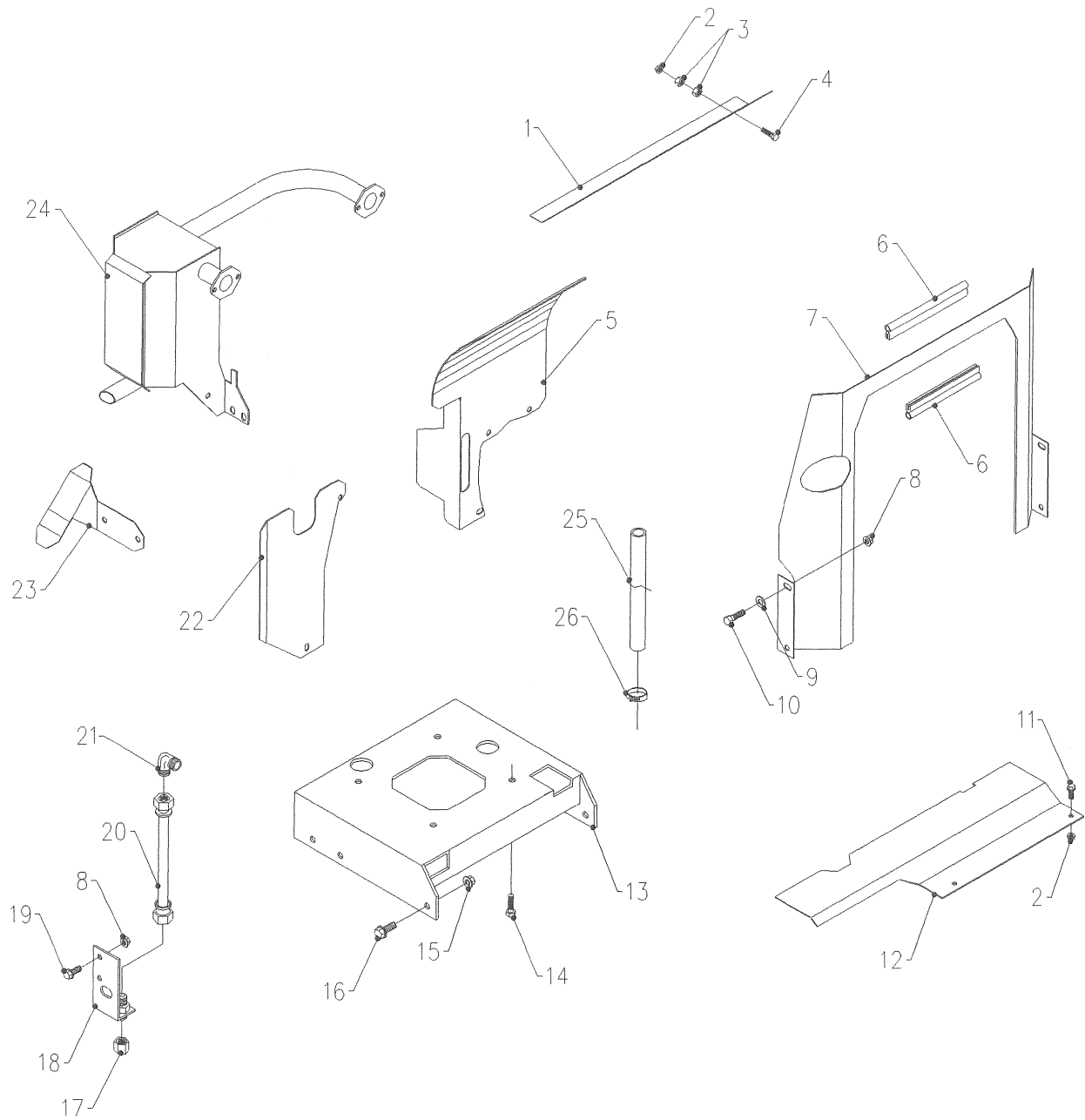
PARTS

FIGURE 12 KAWASAKI ENGINE

| REF. | PART NO. | DESCRIPTION | QTY. |
|------|--------------|-------------------------------------|------|
| 1 | 13.0063. | Engine Oil Filter | 1 |
| 2 | 85.K0310. | 3/16 x 1-1/4 Key | 2 |
| 3 | 87.0174. | Sprocket - Half Coupling | 3 |
| 4 | 47.0157. | Shrink Wrap - 3" OD x 2-1/2 | 2 |
| 5 | 81.0128. | #40-2 Connector Link | 2 |
| 6 | 87.0175. | #40 Double Chain Coupling | 2 |
| 7 | 80.0296. | Coupling Shaft | 1 |
| 8 | 99.M0010. | M8 x 1.25 P x 50 Bolt | 3 |
| 9 | 96.05 | 5/16 Lock Washer | 3 |
| 10 | 82.0091. | Drive Sprocket | 1 |
| 11 | 99.A04NFN. | 1/4 SAE Nylon Locknut | 2 |
| 12 | 43.004S | 1/4 Spherical Studded Rod End | 2 |
| 13 | 99.J0416NFZ. | 1/4 x 2 SAE Threaded Rod | 1 |
| 14 | 93.04 | 1/4 SAE Nut | 2 |
| 15 | 37.0018. | Electric Clutch | 1 |
| 16 | 99.B0065. | Clutch Mounting Washer. | 1 |
| 17 | 99.M0012. | 10MM x 1.5 P x 25 Bolt | 1 |
| 18 | 81.B038 | B38 Belt | 1 |
| 19 | 90.0826. | 1/2 x 3-1/4 USS Bolt | 1 |
| 20 | 94.08 | 1/2 USS Washer | 1 |
| 21 | 86.0040. | Pulley Bushing | 1 |
| 22 | 55.0030. | 1 x 2 Pulley Bearing | 2 |
| 23 | 85.B0069. | 1-1/32 x 1-1/4 x 1/2 Bushing | 1 |
| 24 | 99.A08 | 1/2 USS Locknut | 1 |
| 25 | 83.0032. | Idler Pulley Assembly - complete | 1 |
| 26 | 81.0132. | Fan Belt | 1 |
| 27 | 13.0153. | Fan. | 1 |
| | 13.0144. | Optional Fan (reverse flow for cab) | 1 |
| 28 | 13.0072. | Kawasaki 22 HP Gas | 1 |

PARTS

FIGURE 13
ILLUSTRATED DRAWING
KAWASAKI ENGINE



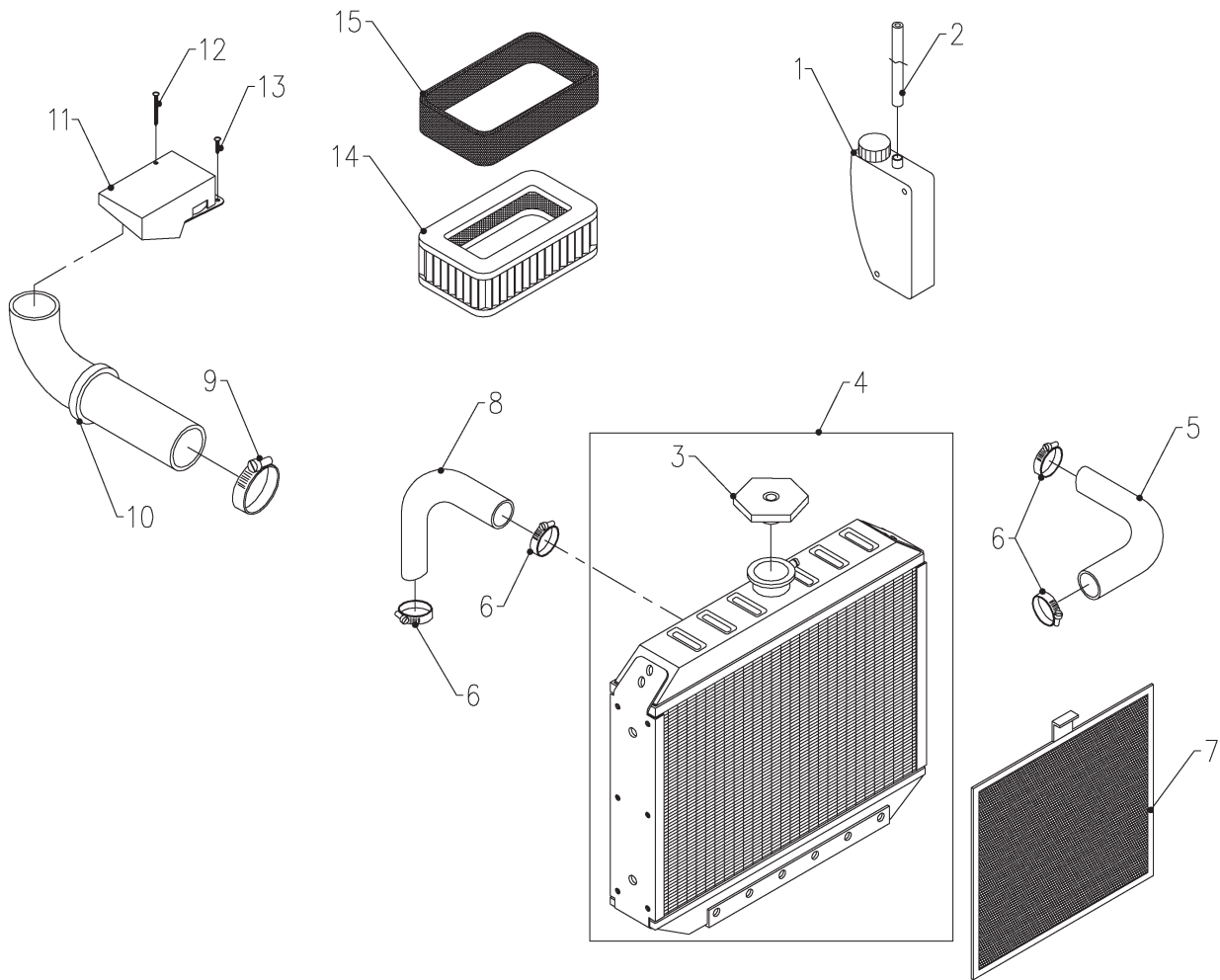
PARTS

FIGURE 13 KAWASAKI ENGINE

| REF. | PART NO. | DESCRIPTION | QTY. |
|------|---------------|--------------------------------------------|------|
| 1 | 60.0719 | Headlight Heat Shield | 1 |
| 2 | 99.SF04 | 1/4 USS Flange Nut | 4 |
| 3 | 92.05 | 5/16 USS Nut | 4 |
| 4 | 90.0408 | 1/4 x 1 USS Bolt | 2 |
| 5 | 60.0702 | Clutch Heat Shield | 1 |
| 6 | 06.0043-44IN | *Trim Loc with Bulb x 44 | 2 |
| 7 | 62.0798 | Radiator Air Wall | 1 |
| 8 | 99.SF05 | 5/16 USS Flange Nut | 6 |
| 9 | 95.05 | 5/16 SAE Flat Washer | 4 |
| 10 | 90.0506 | 5/16 x 3/4 USS Bolt | 4 |
| 11 | 99.SF0404 | 1/4 x 1/2 USS Flange Bolt | 2 |
| 12 | 60.0697 | Air Flow Shield | 1 |
| 13 | 62.0803 | Engine Mount | 1 |
| 14 | 99.M0009 | M8 x 1.25 P x 25 Bolt | 4 |
| 15 | 99.SF06 | 3/8 USS Flange Nut | 6 |
| 16 | 99.SF0606 | 3/8 x 3/4 USS Flange Bolt | 6 |
| 17 | 25.304-C-06 | 3/8 JIC Cap | 1 |
| 18 | 64.0713 | Engine Oil Drain Bracket | 1 |
| 19 | 99.SF0506 | 5/16 x 3/4 USS Flange Bolt | 2 |
| 20 | 22.0019 | Pushlock Hose - 3/8 x 12 | 1 |
| 21 | 25.2501-06-06 | Hyd. Fitting 90 deg. - 3/8 x 3/8 | 1 |
| 22 | 60.0699 | Muffler Heat Shield | 1 |
| 23 | 60.0720 | Starter Heat Shield | 1 |
| 24 | 14.0011 | Muffler | 1 |
| 25 | 27.P08-18IN | *1/2 Pushlock Hose x 18 (oil filter drain) | 1 |
| 26 | 11.0032 | Hose Clamp | 1 |

PARTS

FIGURE 14
ILLUSTRATED DRAWING
KAWASAKI COOLING & AIR



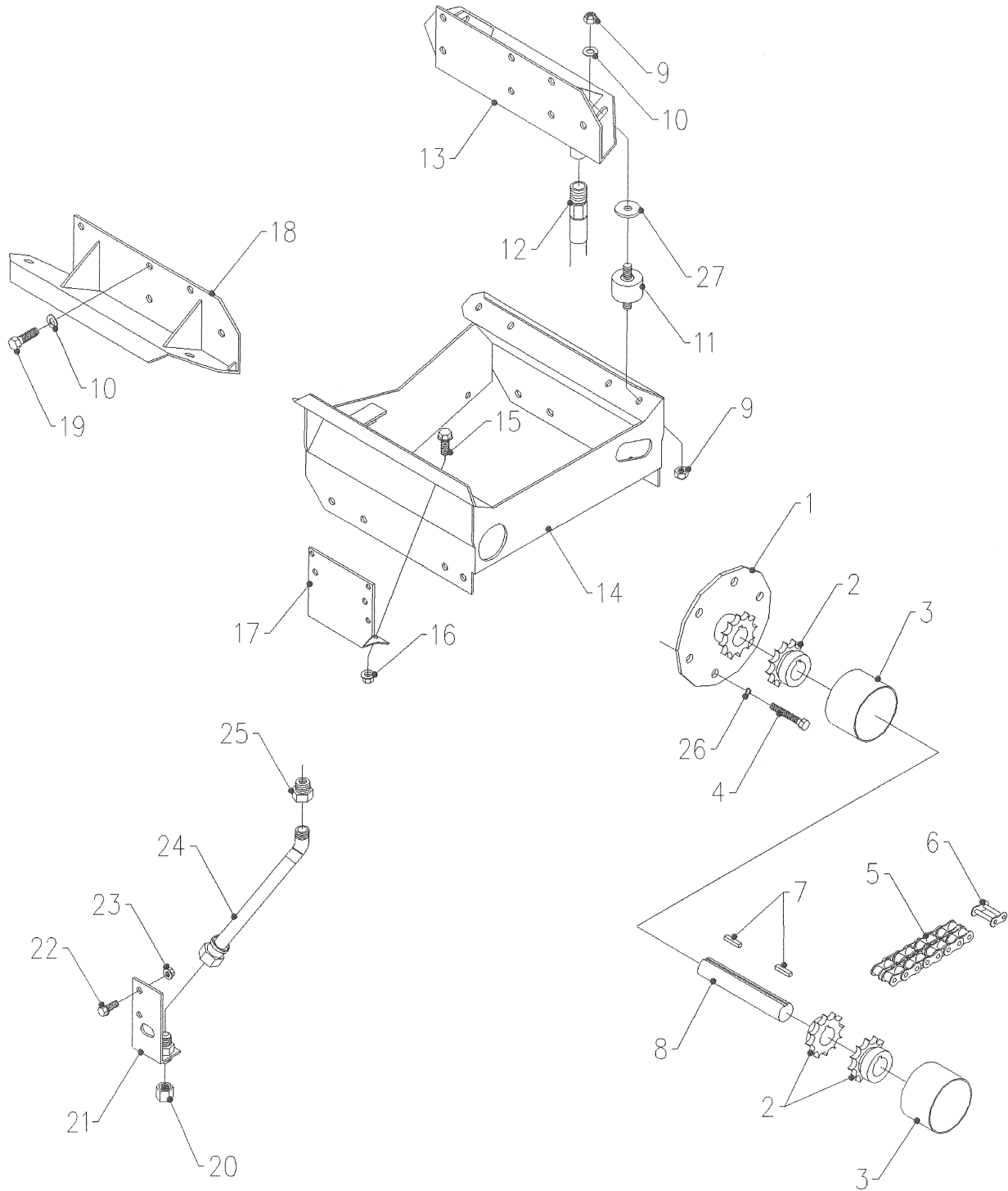
PARTS

FIGURE 14 KAWASAKI COOLING & AIR

| REF. | PART NO. | DESCRIPTION | QTY. |
|------|-------------|----------------------------|------|
| 1 | 47.0134. | Coolant Recovery Bottle | 1 |
| 2 | 27.A04-18IN | *1/4 Rubber Hose x 18. | 1 |
| 3 | 47.0160. | Radiator Cap. | 1 |
| 4 | 47.0159. | Radiator | 1 |
| 5 | 13.0143. | Lower Radiator Hose | 1 |
| 6 | 11.0052. | Hose Clamp | 4 |
| 7 | 47.0161. | Radiator Screen | 1 |
| 8 | 13.0142. | Upper Radiator Hose | 1 |
| 9 | 11.0050. | Hose Clamp | 1 |
| 10 | 14.0013. | Air Intake Tube. | 1 |
| 11 | 14.0012. | Air Intake. | 1 |
| 12 | 99.K0075. | 8-32 x 1-3/4 Machine Screw | 1 |
| 13 | 99.K0074. | 8-32 x 5/8 Machine Screw | 1 |
| 14 | 13.0121. | Air Filter - Paper Element | 1 |
| 15 | 13.0120. | Air Filter - Foam Element | 1 |

PARTS

FIGURE 15
ILLUSTRATED DRAWING
KUBOTA ENGINE



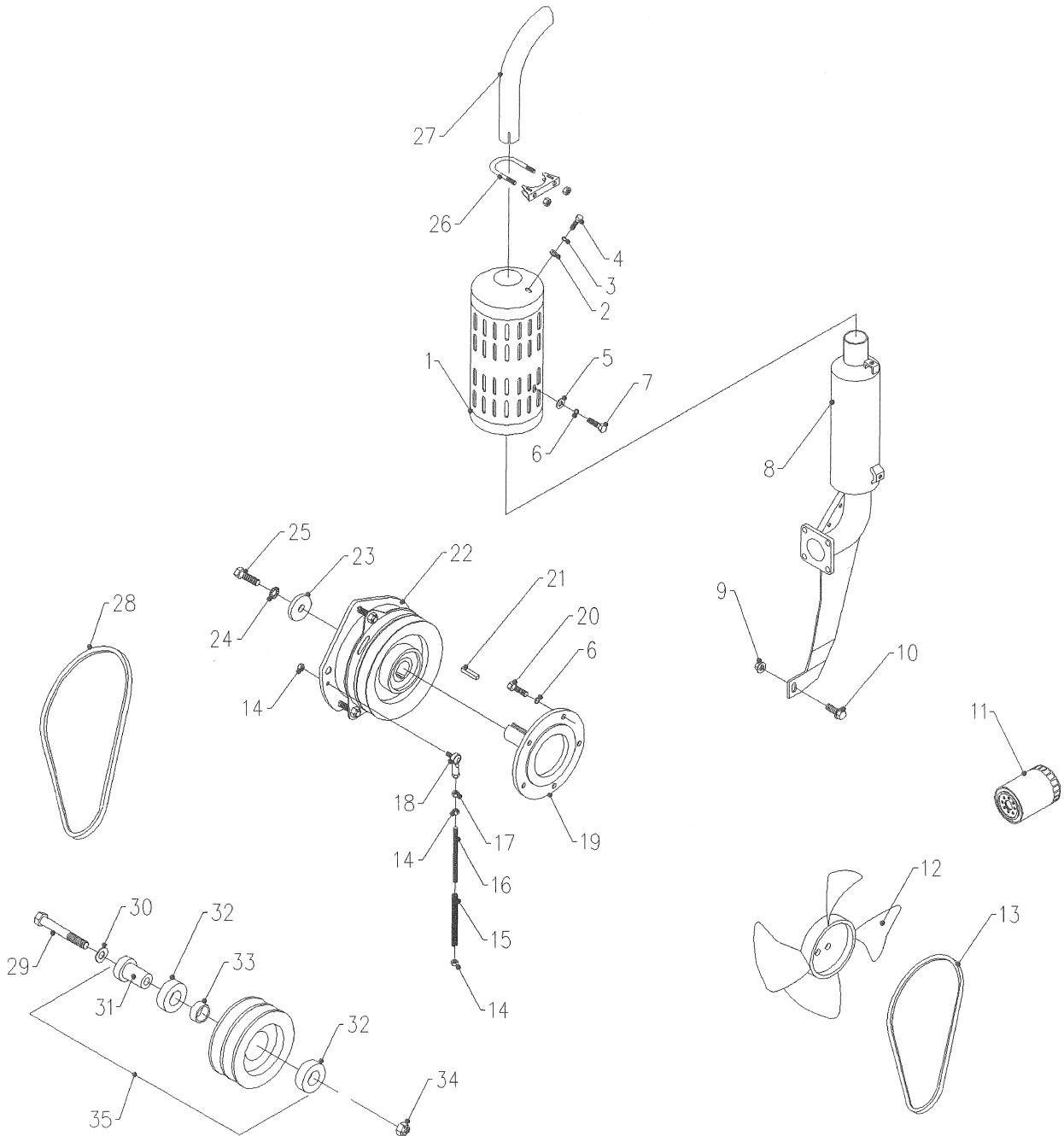
PARTS

FIGURE 15 KUBOTA ENGINE

| REF. | PART NO. | DESCRIPTION | QTY. |
|------|-------------|-------------------------------------------|------|
| 1 | 82.0088. | Drive Sprocket | 1 |
| 2 | 87.0174. | Sprocket - Half Coupling | 3 |
| 3 | 47.0157. | Shrink Wrap - 3" OD x 2-1/2 | 2 |
| 4 | 99.M0005. | 8MM x 1.25 P x 20 Bolt | 3 |
| 5 | 87.0175. | #40 Double Chain Coupling | 2 |
| 6 | 81.0128. | #40-2 Connector Link | 2 |
| 7 | 85.K0310. | 3/16 x 1-1/4 Key | 2 |
| 8 | 80.0297. | Coupling Shaft | 1 |
| 9 | 99.A06N | 3/8 USS Nylon Locknut | 10 |
| 10 | 95.06 | 3/8 USS Washer. | 17 |
| 11 | 05.0048. | Isolator - 3/8 USS x 1-1/2 x 1 | 5 |
| 12 | 22.0017. | Pushlock Hose - 1/2 x 19 | 1 |
| 13 | 62.0782. | Engine Mount (right) | 1 |
| 14 | 62.0786. | Engine Mount Base | 1 |
| 15 | 99.SF0606 | 3/8 x 3/4 USS Flange Bolt | 9 |
| 16 | 99.SF06 | 3/8 USS Flange Nut | 9 |
| 17 | 64.0730. | Coil Mounting Bracket | 1 |
| 18 | 62.0783. | Engine Mount (left). | 1 |
| 19 | 99.M0004. | 10MM x 1.25 P x 20 Bolt | 12 |
| 20 | 25.304-C-06 | 3/8 JIC Cap | 1 |
| 21 | 64.0713. | Engine Oil Drain Bracket. | 1 |
| 22 | 99.SF0506 | 5/16 x 3/4 USS Flange Bolt | 2 |
| 23 | 99.SF05 | 5/16 USS Flange Nut | 2 |
| 24 | 22.0016. | Pushlock Hose - 3/8 x 8-1/4 | 1 |
| 25 | 14.0009. | Adapter - Engine Oil Drain Plug | 1 |
| 26 | 96.05 | 5/16 Lock Washer | 3 |
| 27 | 99.B0069. | 10 ga. X 13/32 x 1-9/32 Washer | 5 |
| 28 | 13.0054. | Kubota WG750 Gas | 1 |

PARTS

FIGURE 16
ILLUSTRATED DRAWING
KUBOTA ENGINE



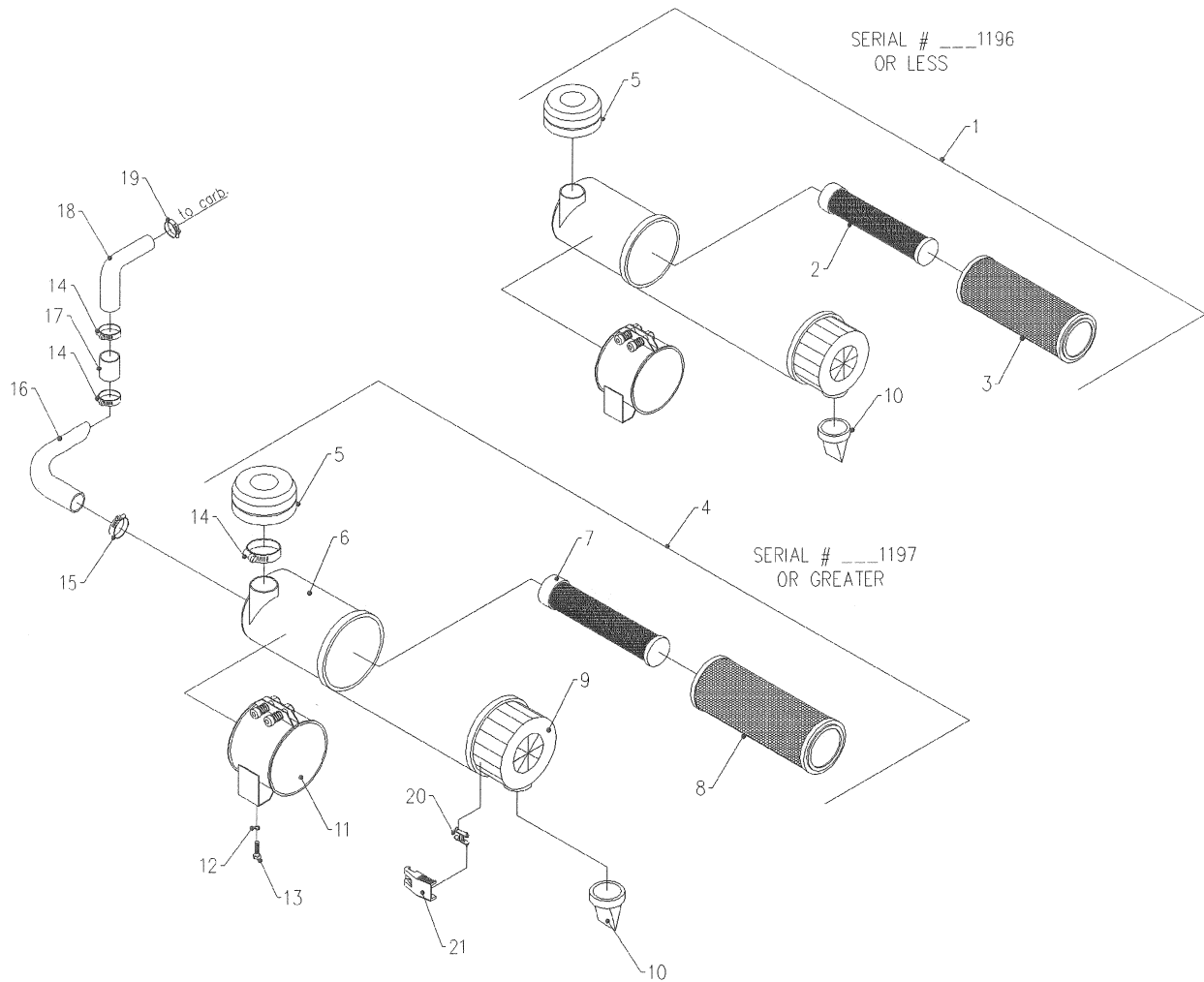
PARTS

FIGURE 16 KUBOTA ENGINE

| REF. | PART NO. | DESCRIPTION | QTY. |
|------|----------------------|-----------------------------------------------|------|
| 1 | 13.0128. | Muffler Shroud | 1 |
| 2 | 95.04 | 1/4 SAE Flat Washer | 3 |
| 3 | 96.04 | 1/4 Lock Washer | 3 |
| 4 | 99.M0006. | 6MM x 1 P x 10 Bolt | 3 |
| 5 | 95.05 | 5/16 SAE Flat Washer | 1 |
| 6 | 96.05 | 5/16 Lock Washer | 6 |
| 7 | 99.M0011. | 7MM x 1 P x 16 Bolt | 1 |
| 8 | 14.0010. | Muffler | 1 |
| 9 | 99.SF06 | 3/8 USS Flange Nut | 1 |
| 10 | 99.SF0606 | 3/8 x 3/4 USS Flange Bolt | 1 |
| 11 | 13.0055. | Engine Oil Filter | 1 |
| 12 | 13.0152. | Fan | 1 |
| | 13.0074. | Optional Fan (reverse flow for cab) | 1 |
| 13 | 81.0130. | Fan Belt | 1 |
| 14 | 99.A04NFN. | 1/4 SAE Nylon Locknut | 3 |
| 15 | 41.0061. | Compression Spring | 1 |
| 16 | 99.J0436NFZ. | 1/4 SAE x 4-1/2 Threaded Rod | 1 |
| 17 | 93.04 | 1/4 SAE Nut | 1 |
| 18 | 43.004S | 1/4 Spherical Studded Rod End | 1 |
| 19 | 13.0139. | Stub Shaft | 1 |
| 20 | 99.M0005. | 8MM x 1.25 P x 20 Bolt | 5 |
| 21 | 85.K0410. | 1/4 x 1-1/4 Key | 1 |
| 22 | 37.0018. | Electric Clutch | 1 |
| 23 | 99.B0064 | Clutch Mounting Washer | 1 |
| 24 | 99.G0009. | 1/2 Star Washer | 1 |
| 25 | 91.0812. | 1/2 x 1-1/2 SAE Bolt | 1 |
| 26 | 11.0039. | 1-1/2 Muffler Clamp | 1 |
| 27 | 13.0115. | Exhaust Extension | 1 |
| 28 | 81.B038 | B38 Belt | 1 |
| 29 | 90.0826. | 1/2 x 3-1/4 USS Bolt | 1 |
| 30 | 94.08 | 1/2 USS Washer | 1 |
| 31 | 86.0040. | Pulley Bushing | 1 |
| 32 | 55.0030. | 1 x 2 Pulley Bearing | 2 |
| 33 | 85.B0069 | 1-1/32 x 1-1/4 x 1/2 Bushing | 1 |
| 34 | 99.A08 | 1/2 USS Locknut | 1 |
| 35 | 83.0032. | Idler Pulley Assembly (complete) | 1 |

PARTS

FIGURE 17 ILLUSTRATED DRAWING KUBOTA AIR INTAKE



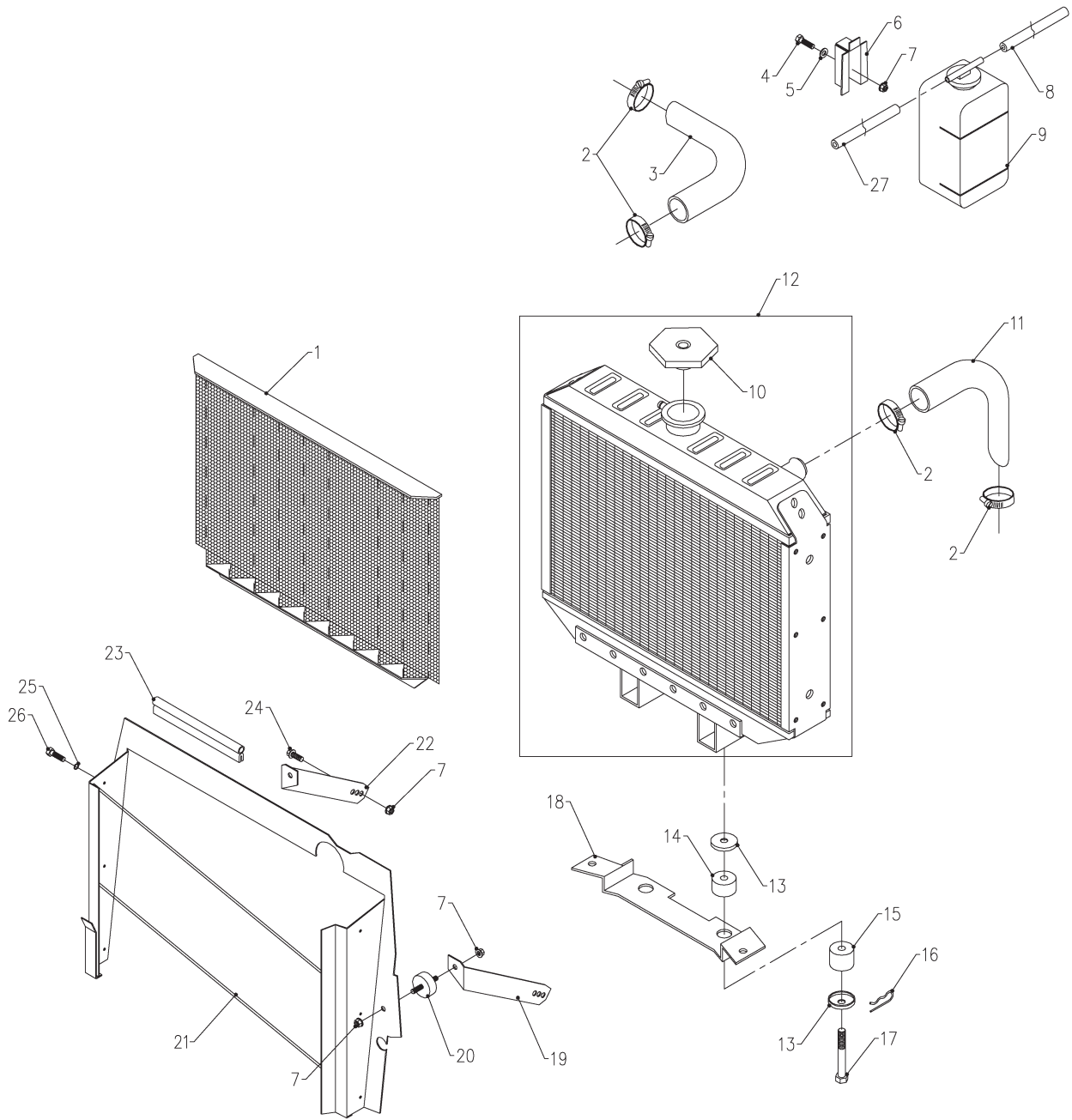
PARTS

FIGURE 17 KUBOTA AIR INTAKE

| REF. | PART NO. | DESCRIPTION | QTY. |
|--------------|---------------------|------------------------------------------|------|
| 1 | 13.0059. | Air Filter Assembly - complete | 1 |
| 2 | 13.0060. | Inner Filter Element | 1 |
| 3 | 13.0061. | Outer Filter Element | 1 |
| 4 | 13.0149. | Air Filter Assembly - complete | 1 |
| 5 | 13.0149-3 | Pre-cleaner. | 1 |
| 6 | 13.0149-7 | Filter Body | 1 |
| 7 | 13.0149-1 | Inner Filter Element | 1 |
| 8 | 13.0149-2 | Outer Filter Element | 1 |
| 9 | 13.0149-5 | Filter Cap. | 1 |
| 10 | 13.0149-4 | Drain Cap | 1 |
| 11 | 13.0149-6 | Filter Mounting Bracket | 1 |
| 12 | 96.05 | 5/16 Lock Washer | 2 |
| 13 | 99.M0005. | 8MM x 1.25 P x 20 Bolt | 2 |
| 14 | 11.0043. | Hose Clamp | 3 |
| 15 | 11.0044. | Hose Clamp | 1 |
| 16 | 47.0162. | Air Intake Hose (lower). | 1 |
| 17 | 64.0742. | Hose Coupling | 1 |
| 18 | 47.0163. | Air Intake Hose (upper) | 1 |
| 19 | 11.0033. | Hose Clamp | 1 |
| 20 | 13.0149-9 | Clamp Hinge | 2 |
| 21 | 13.0149-8 | Clamp | 2 |

PARTS

FIGURE 18 ILLUSTRATED DRAWING KUBOTA COOLING SYSTEM



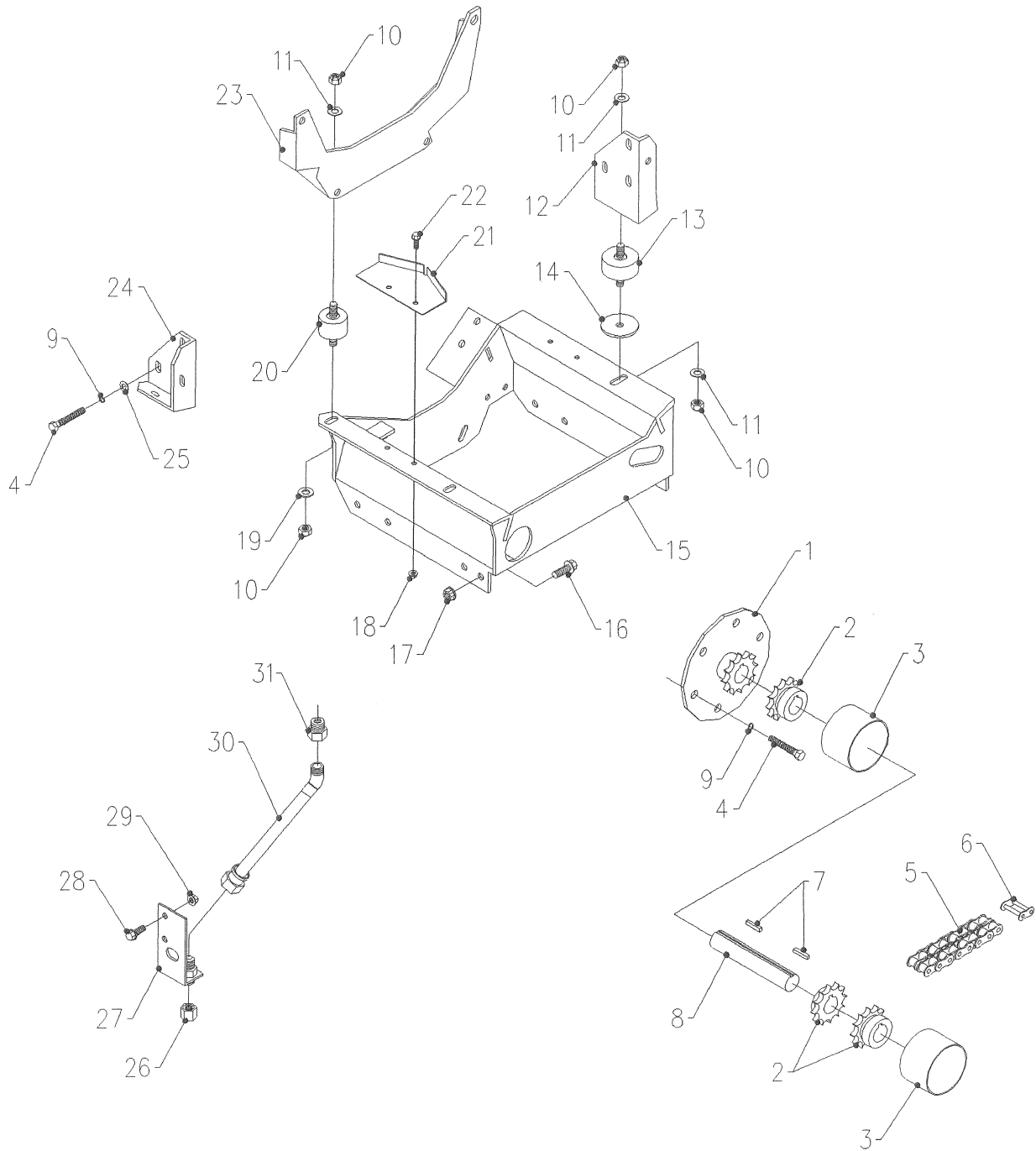
PARTS

FIGURE 18 KUBOTA COOLING SYSTEM

| REF. | PART NO. | DESCRIPTION | QTY. |
|------|--------------|--------------------------------------------|------|
| 1 | 64.0751 | Radiator Screen | 1 |
| 2 | 11.0052 | Hose Clamp | 4 |
| 3 | 13.0107 | Lower Radiator Hose | 1 |
| 4 | 90.0406 | 1/4 x 3/4 USS Bolt | 2 |
| 5 | 95.04 | 1/4 SAE Flat Washer | 2 |
| 6 | 47.0150 | Mounting Bracket - Coolant Recovery Bottle | 1 |
| 7 | 99.SF04 | 1/4 USS Flange Nut | 6 |
| 8 | 27.A04-11IN | *1/4 Rubber Hose x 11 | 1 |
| 9 | 47.0131 | Coolant Recovery Bottle | 1 |
| 10 | 47.0146 | Radiator Cap | 1 |
| 11 | 13.0106 | Upper Radiator Hose | 1 |
| 12 | 47.0129 | Radiator | 1 |
| 13 | 99.B0066 | 3/8 Cupped Washer | 4 |
| 14 | 05.0064 | Isolator - 3/8 x 1-1/4 x 3/4 | 2 |
| 15 | 05.0063 | Isolator - 3/8 x 1-1/4 x 1 | 2 |
| 16 | 02.HP0313 | Hairpin | 2 |
| 17 | 99.K0082 | Radiator Mount Bolt | 2 |
| 18 | 64.0712 | Radiator Mount | 1 |
| 19 | 64.0731 | Radiator Brace (right) | 1 |
| 20 | 05.0051 | Isolator - 1/4 x 1/2 x 1 | 2 |
| 21 | 62.0790 | Radiator Screen Housing | 1 |
| 22 | 64.0732 | Radiator Brace (left) | 1 |
| 23 | 06.0043-35IN | *Trim Loc with Bulb x 35 | 1 |
| 24 | 99.SF0404 | 1/4 x 1/2 USS Flange Bolt | 2 |
| 25 | 96.04 | 1/4 Lock Washer | 4 |
| 26 | 99.M0006 | 6MM x 1 P x 10 Bolt | 4 |
| 27 | 27.A04 | *1/4 Rubber Hose x 38 | 1 |

PARTS

FIGURE 19
ILLUSTRATED DRAWING
VANGUARD ENGINE



PARTS

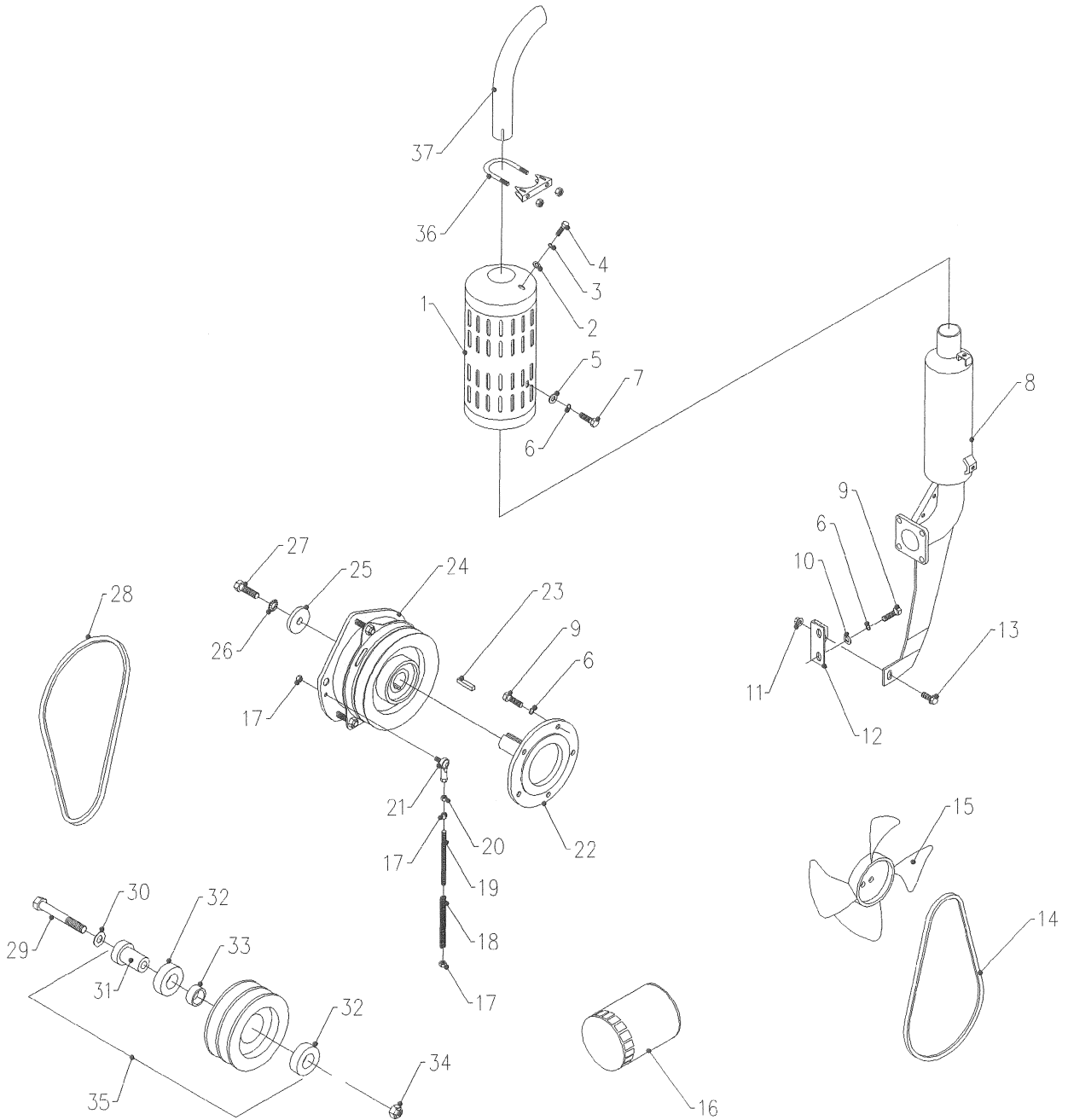
FIGURE 19 VANGUARD ENGINE

| REF. | PART NO. | DESCRIPTION | QTY. |
|------|-------------|---------------------------------|------|
| 1 | 82.0089 | Drive Sprocket | 1 |
| 2 | 87.0174 | Sprocket - Half Coupling | 3 |
| 3 | 47.0157 | Shrink Wrap - 3" OD x 2-1/2 | 2 |
| 4 | 99.M0005 | 8MM x 1.25 P x 20 Bolt | 10 |
| 5 | 87.0175 | #40 Double Chain Coupling | 2 |
| 6 | 81.0128 | #40-2 Connector Link | 2 |
| 7 | 85.K0310 | 3/16 x 1-1/4 Key | 2 |
| 8 | 80.0298 | Coupling Shaft | 1 |
| 9 | 96.05 | 5/16 Lock Washer | 10 |
| 10 | 99.A06N | 3/8 USS Nylon Locknut | 10 |
| 11 | 94.06 | 3/8 USS Washer | 11 |
| 12 | 62.0784 | Engine Mount (right) | 1 |
| 13 | 05.0006 | Isolator - 3/8 USS x 2 x 3/4 | 2 |
| 14 | 99.B0068 | *10 ga x 13/32 x 2-1/16 Washer | 2 |
| 15 | 62.0805 | Engine Mount Base | 1 |
| 16 | 99.SF0606 | 3/8 x 3/4 USS Flange Bolt | 8 |
| 17 | 99.SF06 | 3/8 USS Flange Nut | 8 |
| 18 | 99.SF04 | 1/4 USS Flange Nut | 2 |
| 19 | 95.06 | 3/8 SAE Flat Washer | 3 |
| 20 | 05.0048 | Isolator - 3/8 USS x 1-1/2 x 1 | 3 |
| 21 | 64.0734 | Oil Filter Drip Deflector | 1 |
| 22 | 99.SF0404 | 1/4 x 1/2 USS Flange Bolt | 2 |
| 23 | 62.0804 | Engine Mount (front) | 1 |
| 24 | 62.0785 | Engine Mount (left) | 1 |
| 25 | 94.05 | 5/16 USS Flat Washer | 6 |
| 26 | 25.304-C-06 | 3/8 JIC Cap | 1 |
| 27 | 64.0713 | Engine Oil Drain Bracket | 1 |
| 28 | 99.SF0506 | 5/16 x 3/4 USS Flange Bolt | 2 |
| 29 | 99.SF05 | 5/16 USS Flange Nut | 2 |
| 30 | 22.0016 | Pushlock Hose - 3/8 x 8-1/4 | 1 |
| 31 | 14.0015 | Adapter - Engine Oil Drain Plug | 1 |
| 32 | 13.0056 | Vanguard DM850 Diesel | 1 |
| | 13.0125 | Vanguard DM950 Gas | 1 |
| | 13.0126 | Vanguard DM950 Diesel | 1 |

*Not used on all units. Use as required to align engine.

PARTS

FIGURE 20 ILLUSTRATED DRAWING VANGUARD ENGINE



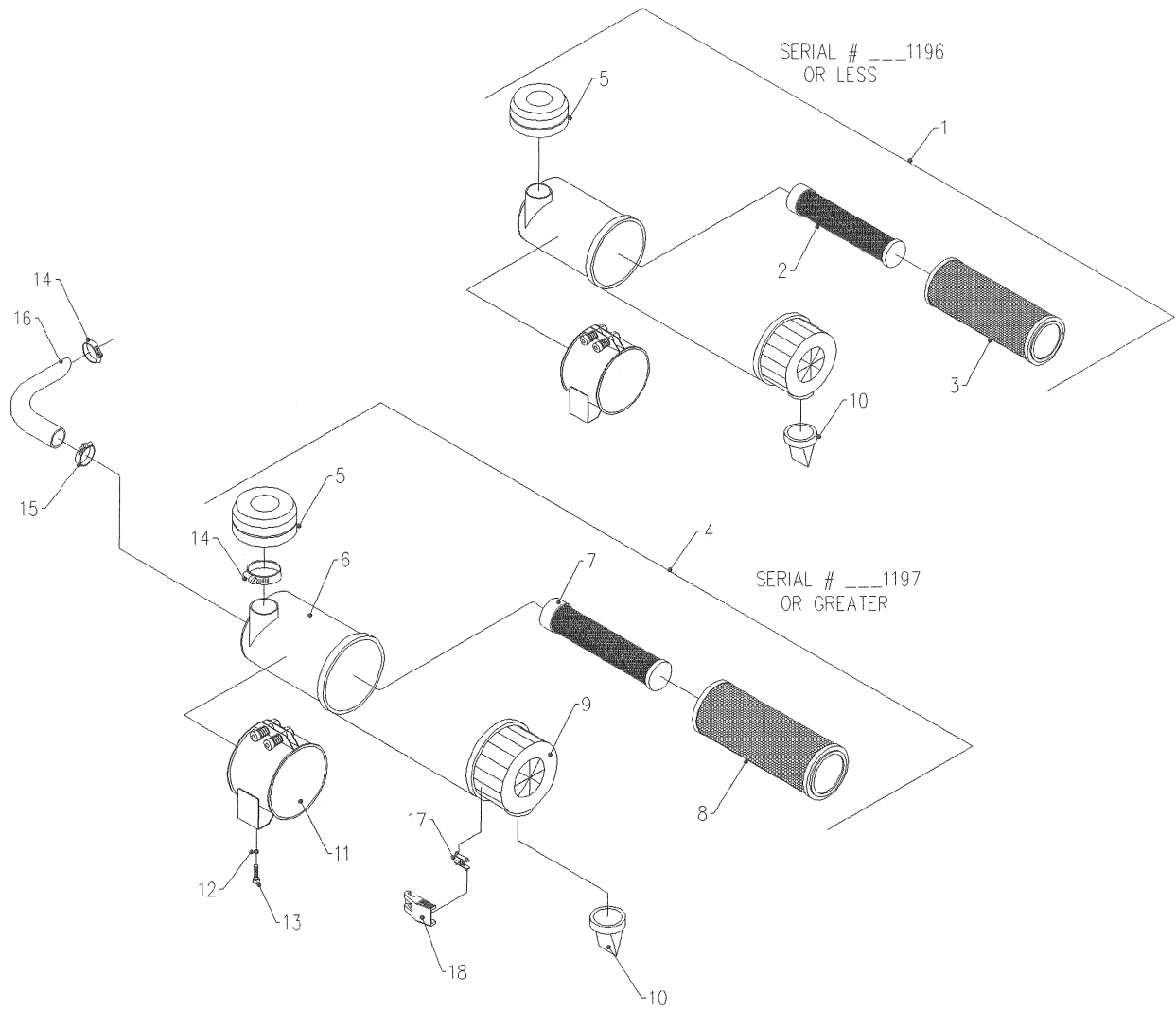
PARTS

FIGURE 20 VANGUARD ENGINE

| REF. | PART NO. | DESCRIPTION | QTY. |
|------|--------------|-------------------------------------|------|
| 1 | 13.0128. | Muffler Shroud | 1 |
| 2 | 95.04 | 1/4 SAE Flat Washer | 3 |
| 3 | 96.04 | 1/4 Lock Washer | 3 |
| 4 | 99.M0006. | 6MM x 1 P x 10 Bolt | 3 |
| 5 | 95.05 | 5/16 SAE Flat Washer | 1 |
| 6 | 96.05 | 5/16 Lock Washer | 8 |
| 7 | 99.M0011. | 7MM x 1 P x 16 Bolt | 1 |
| 8 | 14.0006. | Muffler | 1 |
| 9 | 99.M0005. | 8MM x 1.25 P x 20 Bolt | 7 |
| 10 | 94.06 | 3/8 USS Flat Washer | 2 |
| 11 | 99.SF05 | 5/16 USS Flange Nut | 1 |
| 12 | 64.0762. | Muffler Mounting Bracket | 1 |
| 13 | 99.SF0506 | 5/16 x 3/4 USS Bolt | 1 |
| 14 | 81.0133. | Fan Belt | 1 |
| 15 | 13.0154. | Fan | 1 |
| | 13.0144. | Optional Fan (reverse flow for cab) | 1 |
| 16 | 13.0057. | Engine Oil Filter | 1 |
| 17 | 99.A04NFN. | 1/4 SAE Nylon Locknut | 3 |
| 18 | 41.0061. | Compression Spring | 1 |
| 19 | 99.J0436NFZ. | 1/4 SAE x 4-1/2 Threaded Rod | 1 |
| 20 | 93.04 | 1/4 SAE Nut | 1 |
| 21 | 43.004S | 1/4 Spherical Studded Rod End | 1 |
| 22 | 13.0139. | Stub Shaft | 1 |
| 23 | 85.K0410. | 1/4 x 1-1/4 Key | 1 |
| 24 | 37.0018. | Electric Clutch | 1 |
| 25 | 99.B0064. | Clutch Mounting Washer | 1 |
| 26 | 99.G0009. | 1/2 Star Washer | 1 |
| 27 | 91.0812. | 1/2 x 1-1/2 SAE Bolt | 1 |
| 28 | 81.B038 | B38 Belt | 1 |
| 29 | 90.0826. | 1/2 x 3-1/4 USS Bolt | 1 |
| 30 | 94.08 | 1/2 USS Washer | 1 |
| 31 | 86.0040. | Pulley Bushing | 1 |
| 32 | 55.0030. | 1 x 2 Pulley Bearing | 2 |
| 33 | 85.B0069. | 1-1/32 x 1-1/4 x 1/2 Bushing | 1 |
| 34 | 99.A08 | 1/2 USS Locknut | 1 |
| 35 | 83.0032. | Idler Pulley Assembly - complete | 1 |
| 36 | 11.0039. | 1-1/2 muffler Clamp | 1 |
| 37 | 13.0115. | Exhaust Extension | 1 |

PARTS

FIGURE 21 ILLUSTRATED DRAWING VANGUARD AIR INTAKE



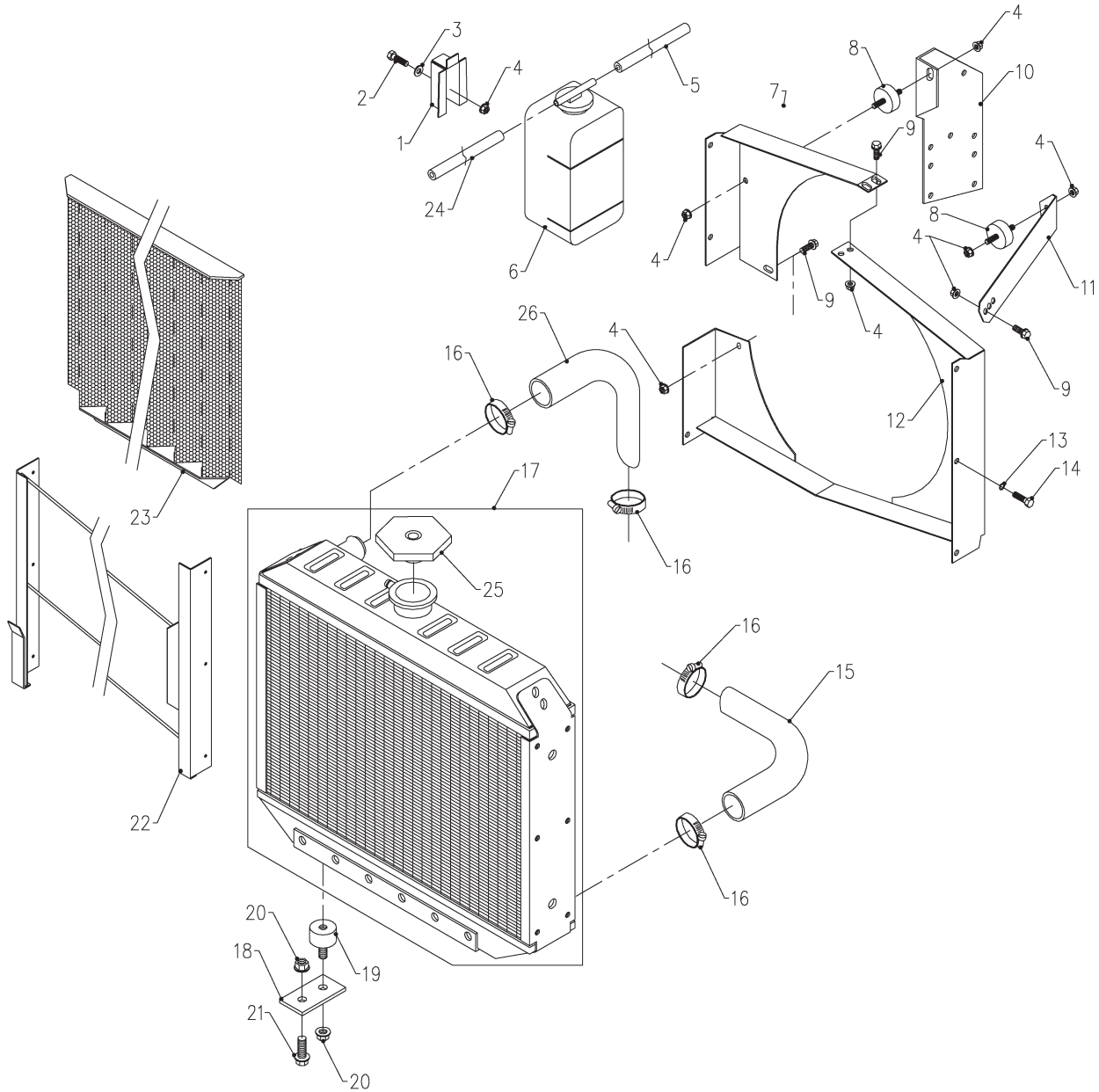
PARTS

FIGURE 21 VANGUARD AIR INTAKE

| REF. | PART NO. | DESCRIPTION | QTY. |
|------|-----------|--------------------------------|------|
| 1 | 13.0059 | Air Filter Assembly - complete | 1 |
| 2 | 13.0060 | Inner Filter Element | 1 |
| 3 | 13.0061 | Outer Filter Element | 1 |
| 4 | 13.0149 | Air Filter Assembly - complete | 1 |
| 5 | 13.0149-3 | Pre-cleaner | 1 |
| 6 | 13.0149-7 | Filter Body | 1 |
| 7 | 13.0149-1 | Inner Filter Element | 1 |
| 8 | 13.0149-2 | Outer Filter Element | 1 |
| 9 | 13.0149-5 | End Cap | 1 |
| 10 | 13.0149-4 | Drain Cap | 1 |
| 11 | 13.0149-6 | Filter Mounting Bracket | 1 |
| 12 | 96.05 | 5/16 Lock Washer | 2 |
| 13 | 99.M0005 | 8MM x 1.25 P x 20 Bolt | 2 |
| 14 | 11.0043 | Hose Clamp | 2 |
| 15 | 11.0044 | Hose Clamp | 1 |
| 16 | 47.0142 | Air Intake Hose | 1 |
| 17 | 13.0149-9 | Clamp Hinge | 2 |
| 18 | 13.0149-8 | Clamp | 2 |

PARTS

FIGURE 22 ILLUSTRATED DRAWING VANGUARD COOLING SYSTEM



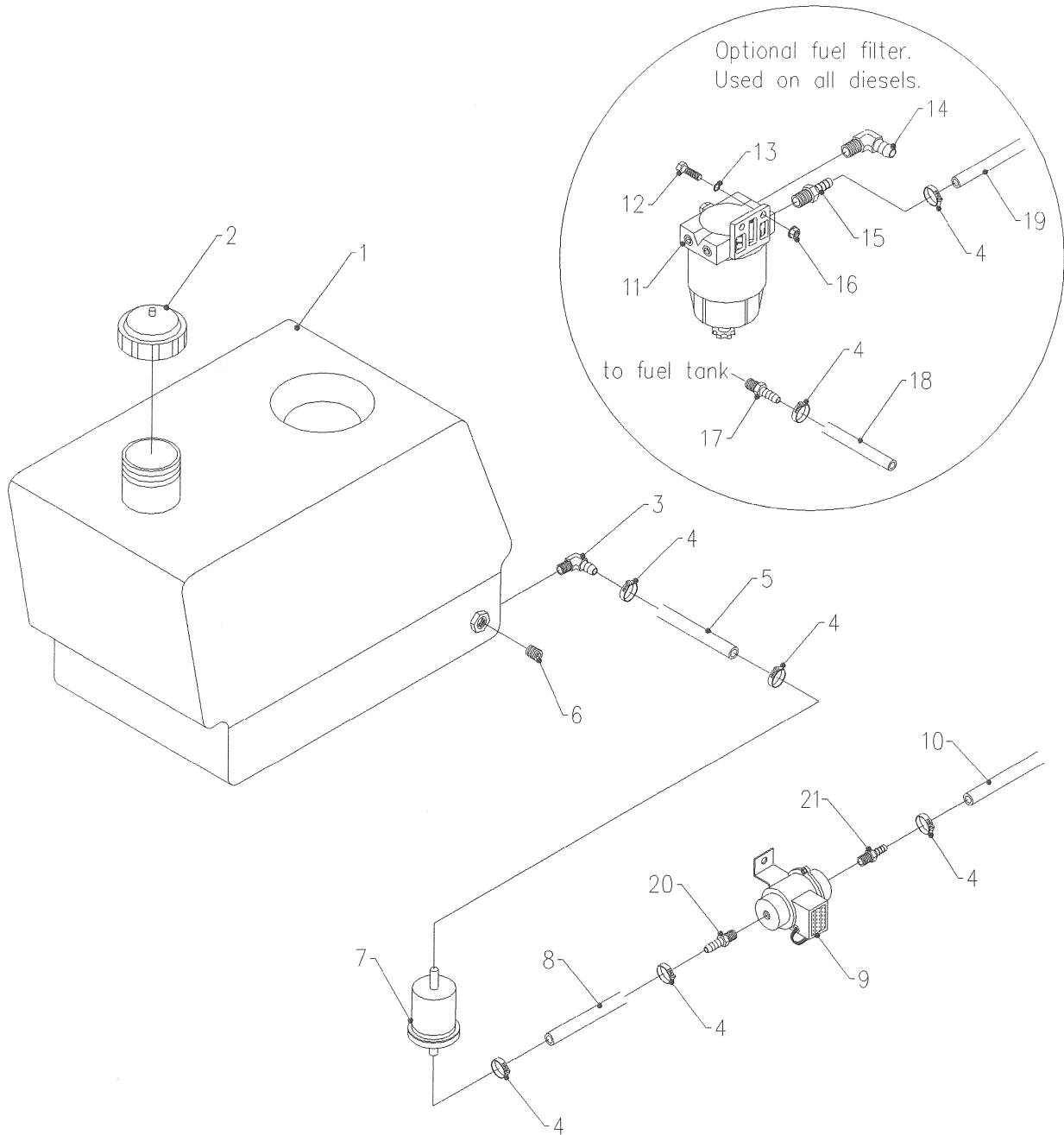
PARTS

FIGURE 22 VANGUARD COOLING SYSTEM

| REF. | PART NO. | DESCRIPTION | QTY. |
|------|-------------|--------------------------------------------|------|
| 1 | 47.0150. | Mounting Bracket - Coolant Recovery Bottle | 1 |
| 2 | 90.0406. | 1/4 x 3/4 USS Bolt | 2 |
| 3 | 95.04 | 1/4 SAE Flat Washer. | 2 |
| 4 | 99.SF04 | 1/4 USS Flange Nut. | 12 |
| 5 | 27.A04 | *1/4 Rubber Hose x 11. | 1 |
| 6 | 47.0131. | Coolant Recovery Bottle. | 1 |
| 7 | 64.0805. | Fan Shroud (upper) | 1 |
| 8 | 05.0051. | Isolator - 1/4 x 1/2 x 1 | 2 |
| 9 | 99.SF0404 | 1/4 x 1/2 USS Flange Bolt | 6 |
| 10 | 64.0792. | Radiator Support (left) | 1 |
| 11 | 64.0732. | Radiator Support (right) | 1 |
| 12 | 64.0804. | Fan Shroud (lower) | 1 |
| 13 | 96.04 | 1/4 Lock Washer | 12 |
| 14 | 90.0404. | 1/4 x 1/2 USS Bolt. | 12 |
| 15 | 14.0014. | Lower Radiator Hose | 1 |
| 16 | 11.0052. | Hose Clamp | 4 |
| 17 | 47.0178. | Radiator | 1 |
| 18 | 64.0825. | Radiator Support. | 2 |
| 19 | 05.0059. | Isolator - 3/8 x 1-1/2 x 1 | 2 |
| 20 | 99.SF06 | 3/8 USS Flange Nut | 4 |
| 21 | 99.SF0606 | 3/8 x 3/4 USS Flange Bolt | 2 |
| 22 | 62.0789. | Radiator Screen Housing | 1 |
| 23 | 64.0767. | Radiator Screen | 1 |
| 24 | 27.A04-38IN | *1/4 Rubber Hose x 38. | 1 |
| 25 | 47.0146. | Radiator Cap. | 1 |
| 26 | 13.0136. | Upper Radiator Hose | 1 |

PARTS

FIGURE 23
ILLUSTRATED DRAWING
FUEL SYSTEM



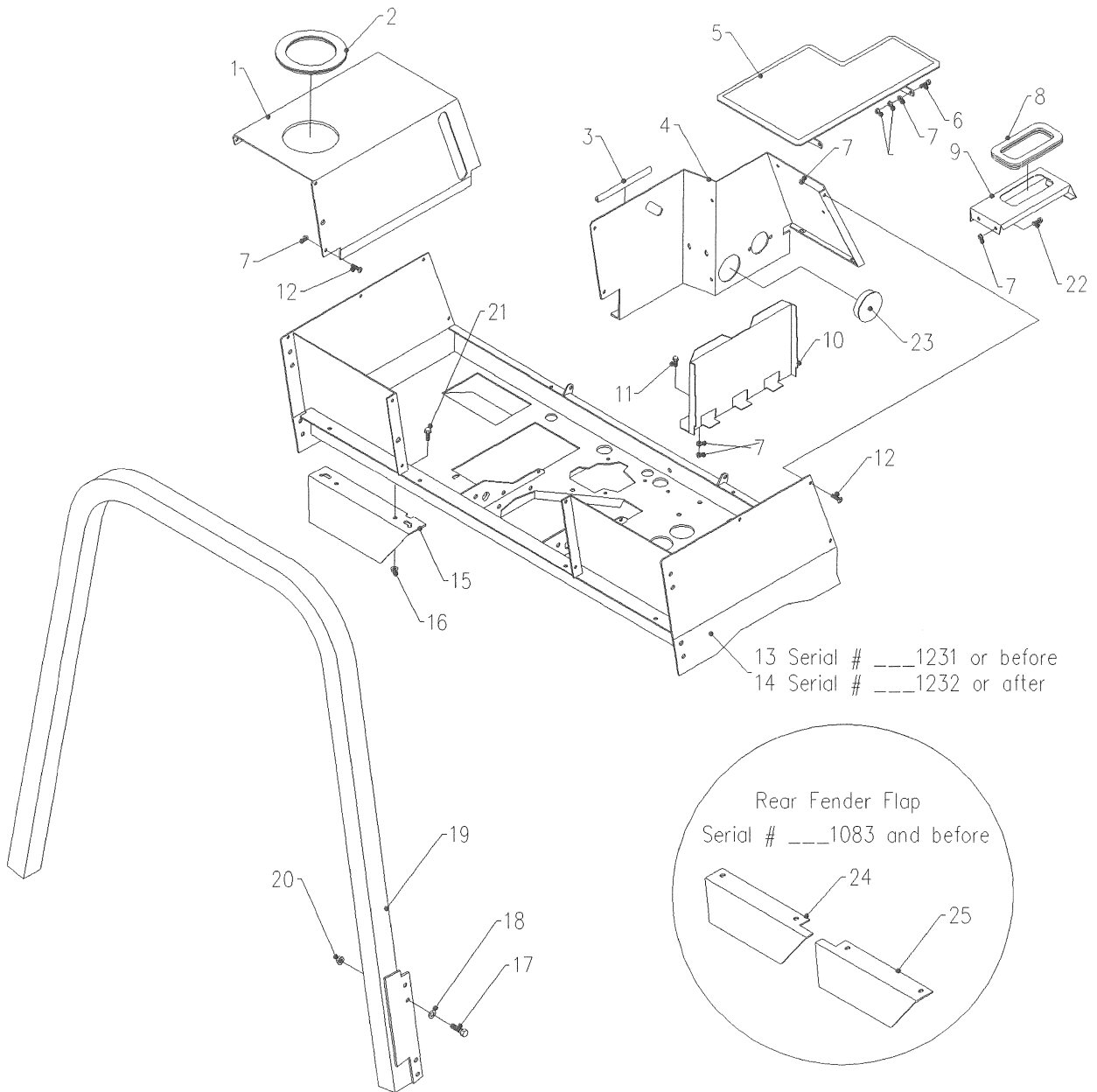
PARTS

FIGURE 23 FUEL SYSTEM

| REF. | PART NO. | DESCRIPTION | QTY. |
|------|---------------|----------------------------------------------------|------|
| 1 | 47.0124 | Fuel Tank | 1 |
| 2 | 47.0144 | Fuel Tank Cap | 1 |
| 3 | 29.BF05MP0290 | Bronze Fitting - 90 deg. | 1 |
| 4 | 11.0038 | Hose Clamp | 5 |
| 5 | 27.F05-18IN | *5/16 Fuel Line x 18 | 1 |
| 6 | 29.P04 | 1/4 Pipe Plug | 1 |
| 7 | 13.0053 | Inline Fuel Filter | 1 |
| 8 | 27.F05-6IN | *5/16 Fuel Line x 6 | 1 |
| 9 | 13.0058 | Fuel Pump | 1 |
| 10 | 27.F05-46IN | *5/16 Fuel Line x 46 (Kawasaki) | 1 |
| 10 | 27.F05-47IN | *5/16 Fuel Line x 47 (Kubota) | 1 |
| 10 | 27.F05-35IN | *5/16 Fuel Line x 35 (Vanguard Diesel) | 1 |
| 10 | 27.F04-47IN | *1/4 Fuel Line x 47 (Vanguard Gas) | 1 |
| 11 | 13.0051 | Fuel Filter/Water Separator | 1 |
| | 13.0052 | Raycor Filter Element | 1 |
| 12 | 90.0408 | 1/4 x 1 USS Bolt | 2 |
| 13 | 95.05 | 1/4 SAE Flat Washer | 2 |
| 14 | 29.BF05MP0490 | Bronze Fitting - 90 deg. | 1 |
| 15 | 29.BF05MP04 | Bronze Fitting - Straight | 1 |
| 16 | 99.SF04 | 1/4 USS Flange Nut | 2 |
| 17 | 29.BF04MP02 | Bronze Fitting - Straight | 1 |
| 18 | 27.F04-72IN | *1/4 Fuel Line x 72 | 1 |
| 19 | 27.F05-23IN | *5/16 Fuel Line x 23 | 1 |
| 20 | 29.BF05MP02 | Bronze Fitting - Straight | 1 |
| 21 | 29.BF05MP02 | Bronze Fitting - Straight (excluding Vanguard gas) | 1 |
| 21 | 29.BF04MP02 | Bronze Fitting - Straight (Vanguard gas only) | 1 |

PARTS

FIGURE 24 ILLUSTRATED DRAWING UPPER REAR FRAME



PARTS

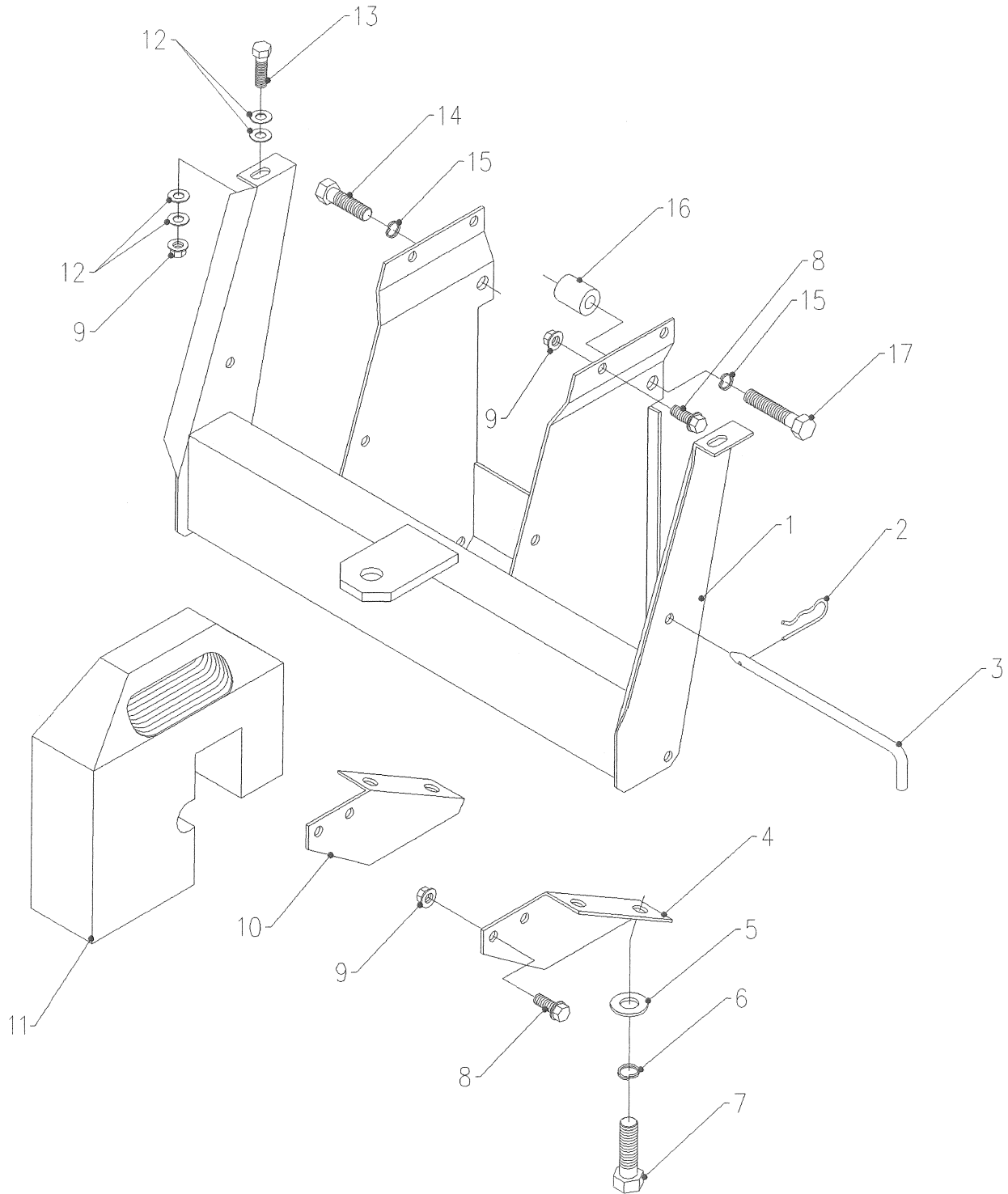
FIGURE 24 UPPER REAR FRAME

| REF. | PART NO. | DESCRIPTION | QTY. |
|------|---------------|------------------------------|------|
| 1 | 60.0675 | Fuel Tank Cover | 1 |
| 2 | 05.0050 | Rubber Grommet | 1 |
| 3 | 06.0042-44IN. | *Trim Loc x 44 | 1 |
| 4 | 60.0671 | Toolbox Panel | 1 |
| 5 | 64.0670 | Toolbox Lid | 1 |
| | 64.0683 | Toolbox Lid (3-point hitch) | 1 |
| 6 | 90.0408 | 1/4 x 1 USS Bolt | 2 |
| 7 | 99.SF04 | 1/4 USS Flange Nut | 28 |
| 8 | 05.0049 | Rubber Grommet | 1 |
| 9 | 60.0667 | Forward/Reverse Lever Shield | 1 |
| 10 | 64.0743 | Owner's Manual Compartment | 1 |
| 11 | 99.SF0406 | 1/4 x 3/4 USS Flange Bolt | 7 |
| 12 | 99.K0063 | 1/4 x 1/2 Button Head Bolt | 11 |
| 13 | 62.0769 | Rear Fender Frame | 1 |
| 14 | 62.0860 | Rear Fender Frame | 1 |
| 15 | 60.0672 | Rear Fender Flap | 2 |
| 16 | 99.SF05 | 5/16 USS Flange Nut | 4 |
| 17 | 90.0606 | 3/8 x 3/4 USS Bolt | 8 |
| 18 | 95.06 | 3/8 SAE Flat Washer | 8 |
| 19 | 62.0772 | Roll Bar | 1 |
| 20 | 99.SF06 | 3/8 USS Flange Nut | 8 |
| 21 | 99.SF0506 | 5/16 x 3/4 USS Flange Bolt | 4 |
| 22 | 99.SF0404 | 1/4 x 1/2 USS Flange Bolt | 3 |
| 23 | 05.0076 | Plastic Plug | 1 |
| 24 | 60.0700 | **Rear Fender Flap (left) | 1 |
| 25 | 60.0701 | **Rear Fender Flap (right) | 1 |

**Used with serial# ___1083 and before.

PARTS

FIGURE 25
ILLUSTRATED DRAWING
REAR HITCH FRAME



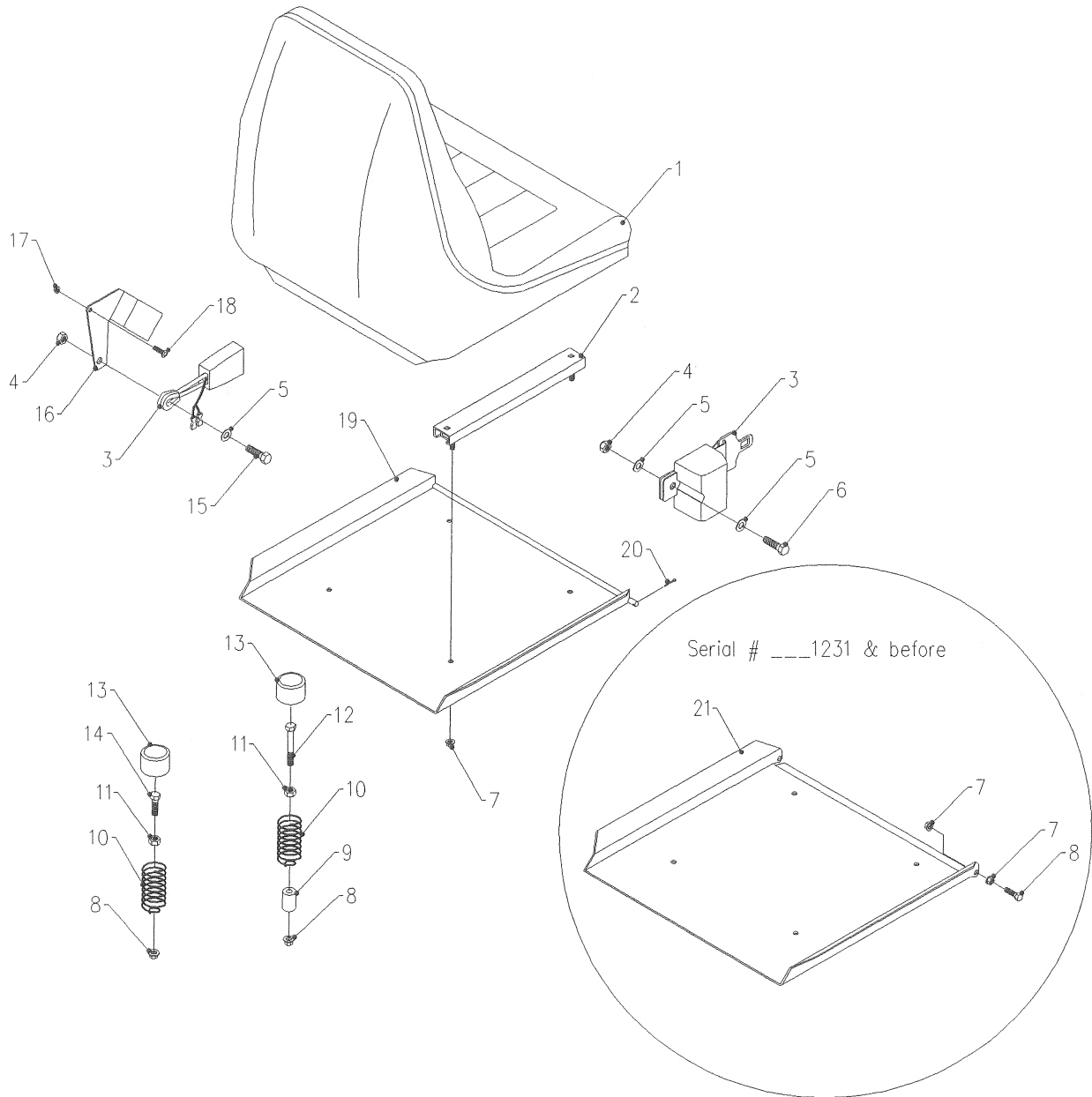
PARTS

FIGURE 25 REAR HITCH FRAME

| REF. | PART NO. | DESCRIPTION | QTY. |
|--------------|---------------------|-------------------------------------|------|
| 1 | 62.0771. | Hitch Frame | 1 |
| 2 | 02.HP0416 | Hairpin | 2 |
| 3 | 64.0761. | Weight Securing Pin | 2 |
| 4 | 64.0685. | Hitch Frame Anchor (right). | 1 |
| 5 | 95.10 | 5/8 SAE Flat Washer. | 4 |
| 6 | 96.10 | 5/8 Lock Washer | 4 |
| 7 | 90.1010. | 5/8 x 1-1/4 USS Bolt | 4 |
| 8 | 99.SF0606 | 3/8 x 3/4 USS Flange Bolt | 8 |
| 9 | 99.SF06 | 3/8 USS Flange Nut | 10 |
| 10 | 64.0686. | Hitch Frame Anchor (left) | 1 |
| 11 | 47.0115. | Rear Weight | 4 |
| 12 | 94.06 | 3/8 USS Flat Washer. | 8 |
| 13 | 90.0612. | 3/8 x 1-1/2 USS Bolt | 2 |
| 14 | 90.0810. | 1/2 x 1-1/4 USS Bolt | 1 |
| 15 | 96.08 | 1/2 Lock Washer | 2 |
| 16 | 64.0680. | 9/16 x 1 x 1-1/4 Bushing | 1 |
| 17 | 90.0820. | 1/2 x 2-1/2 USS Bolt | 1 |

PARTS

FIGURE 26 ILLUSTRATED DRAWING SEAT ASSEMBLY



PARTS

FIGURE 26 SEAT ASSEMBLY

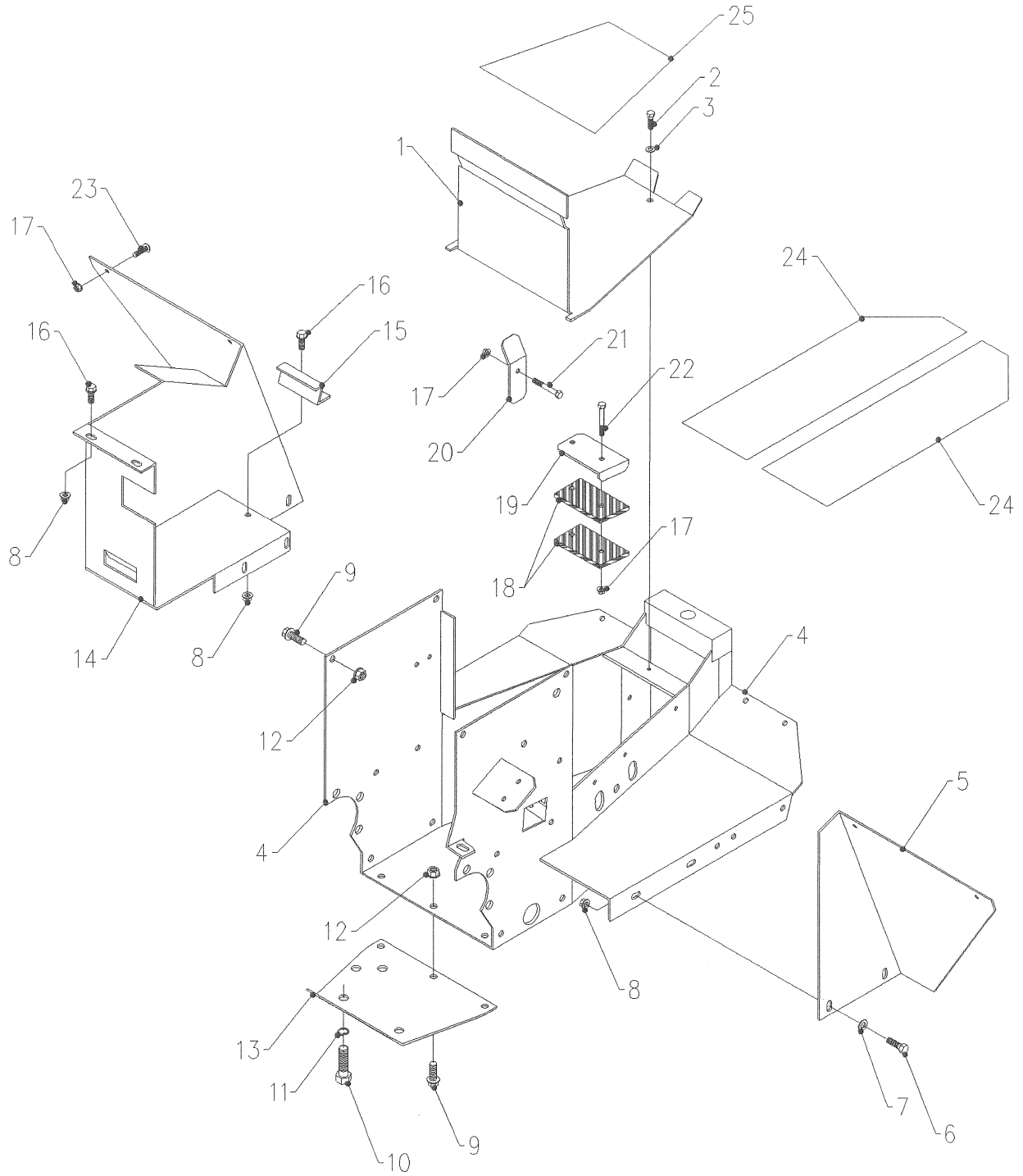
| REF. | PART NO. | DESCRIPTION | QTY. |
|------|-----------|------------------------------------------------|------|
| 1 | 47.0112 | Seat | 1 |
| 2 | 47.0114 | Seat Slide Kit | 1 |
| 3 | 47.0104 | Seat Belt Assembly | 1 |
| 4 | 99.A07 | 7/16 Locknut | 2 |
| 5 | 95.07 | 7/16 SAE Flat Washer | 3 |
| 6 | 90.0708 | 7/16 x 1 USS Bolt | 1 |
| 7 | 99.SF05 | 5/16 USS Flange Nut | *8 |
| 8 | 90.0508 | **5/16 x 1 USS Bolt | 2 |
| 9 | 64.0721 | 7/16 x 7/8 x 1-1/4 Bushing (front spring only) | 1 |
| 10 | 41.0057 | Seat Spring | 3 |
| 11 | 92.07 | 7/16 USS Nut | 3 |
| 12 | 90.0622 | 3/8 x 2-3/4 USS Bolt | 1 |
| 13 | 05.0053 | Spring Boot | 3 |
| 14 | 90.0610 | 3/8 x 1-1/4 USS Bolt | 2 |
| 15 | 90.0710 | 7/16 x 1-1/4 USS Bolt | 1 |
| 16 | 64.0794 | Seat Belt Bracket | 1 |
| 17 | 99.SF04 | 1/4 USS Flange Nut | 1 |
| 18 | 99.K0069 | 1/4 x 5/8 Button Head Bolt | 1 |
| 19 | 62.0861 | Seat Plate | 1 |
| 20 | 02.CP0508 | Cotter Pin | 1 |
| 21 | 60.0668 | **Seat Plate | 1 |

*Units built after serial# ___1231 use only 4 nuts.

**Used with serial# ___1231 and before.

PARTS

FIGURE 27 ILLUSTRATED DRAWING LOWER REAR FRAME



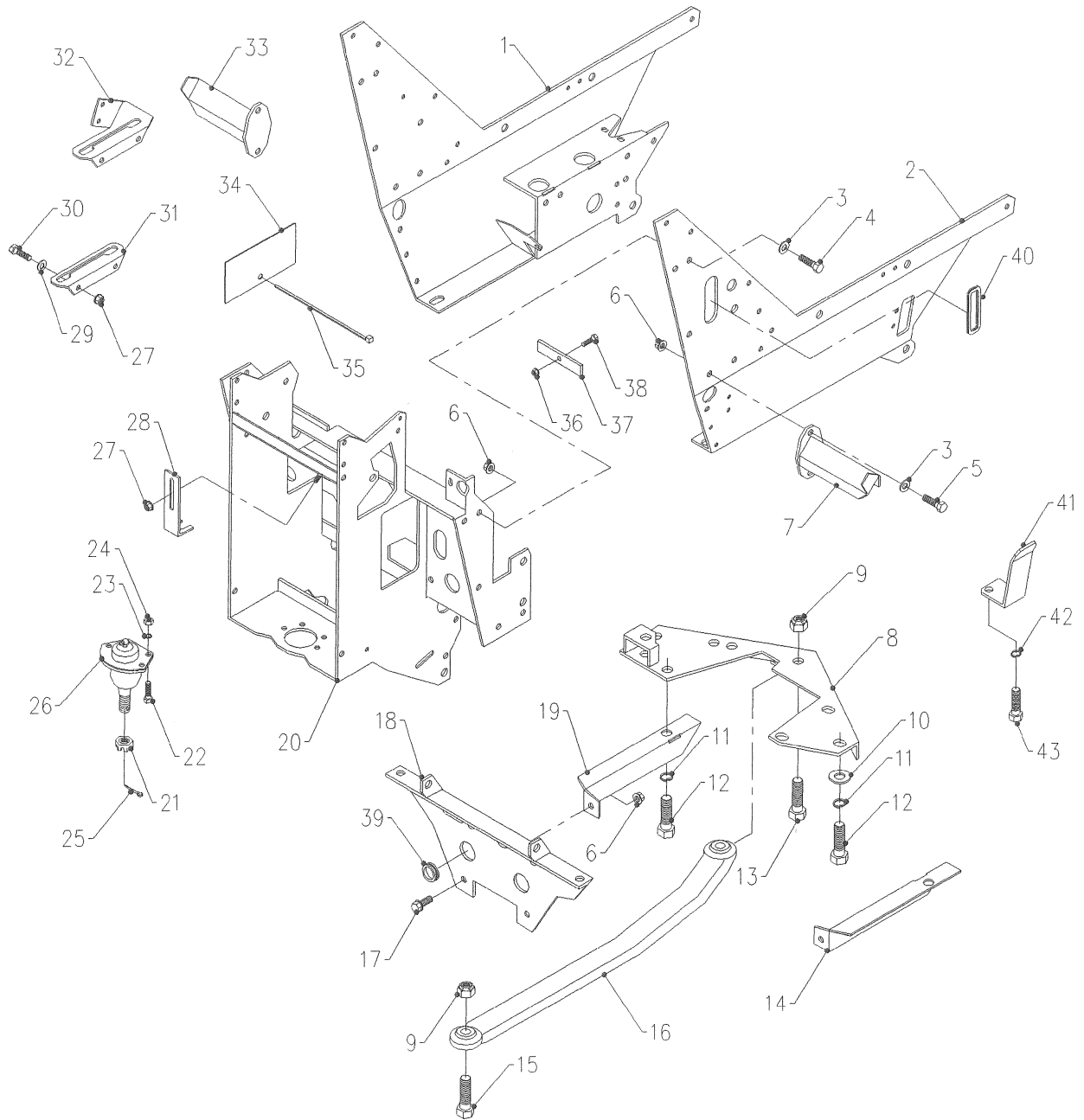
PARTS

FIGURE 27 LOWER REAR FRAME

| REF. | PART NO. | DESCRIPTION | QTY. |
|------|--------------|----------------------------|------|
| 1 | 60.0674 | Floor Tunnel Cover | 1 |
| 2 | 90.0406 | 1/4 x 3/4 USS Bolt | 1 |
| 3 | 95.04 | 1/4 SAE Flat Washer | 1 |
| 4 | 62.0770 | Lower Rear Frame | 1 |
| 5 | 60.0670 | Rear Fender (right) | 1 |
| 6 | 90.0506 | 5/16 x 3/4 USS Bolt | 6 |
| 7 | 95.05 | 5/16 SAE Flat Washer | 6 |
| 8 | 99.SF05 | 5/16 USS Flange Nut | 5 |
| 9 | 99.SF0606 | 3/8 x 3/4 USS Flange Bolt | 7 |
| 10 | 90.0808 | 1/2 x 1 USS Bolt | 3 |
| 11 | 96.08 | 1/2 Lock Washer | 3 |
| 12 | 66.SF06 | 3/8 USS Flange Nut | 7 |
| 13 | 60.0666 | Rear Axle Cover | 1 |
| 14 | 60.0669 | Rear Fender (left) | 1 |
| 15 | 64.0687 | Battery Clamp | 1 |
| 16 | 99.SF0508 | 5/16 x 3/4 USS Flange Bolt | 3 |
| 17 | 99.SF04 | 1/4 USS Flange Nut | 7 |
| 18 | 44.0160 | Rubber Hose Protector | 2 |
| 19 | 64.0725 | Hose Clamp (lower) | 1 |
| 20 | 64.0729 | Hose Clamp (side) | 1 |
| 21 | 90.0416 | 1/4 x 2 USS Bolt | 1 |
| 22 | 90.0412 | 1/4 x 1-1/2 USS Bolt | 2 |
| 23 | 99.K0063 | 1/4 x 1/2 Button Head Bolt | 4 |
| 24 | 56.0055-17IN | *5" Flex Tread x 17 | 2 |
| 25 | 56.0056-9IN | *8" Flex Tread x 9 | 1 |

PARTS

FIGURE 28 ILLUSTRATED DRAWING FRONT FRAME



PARTS

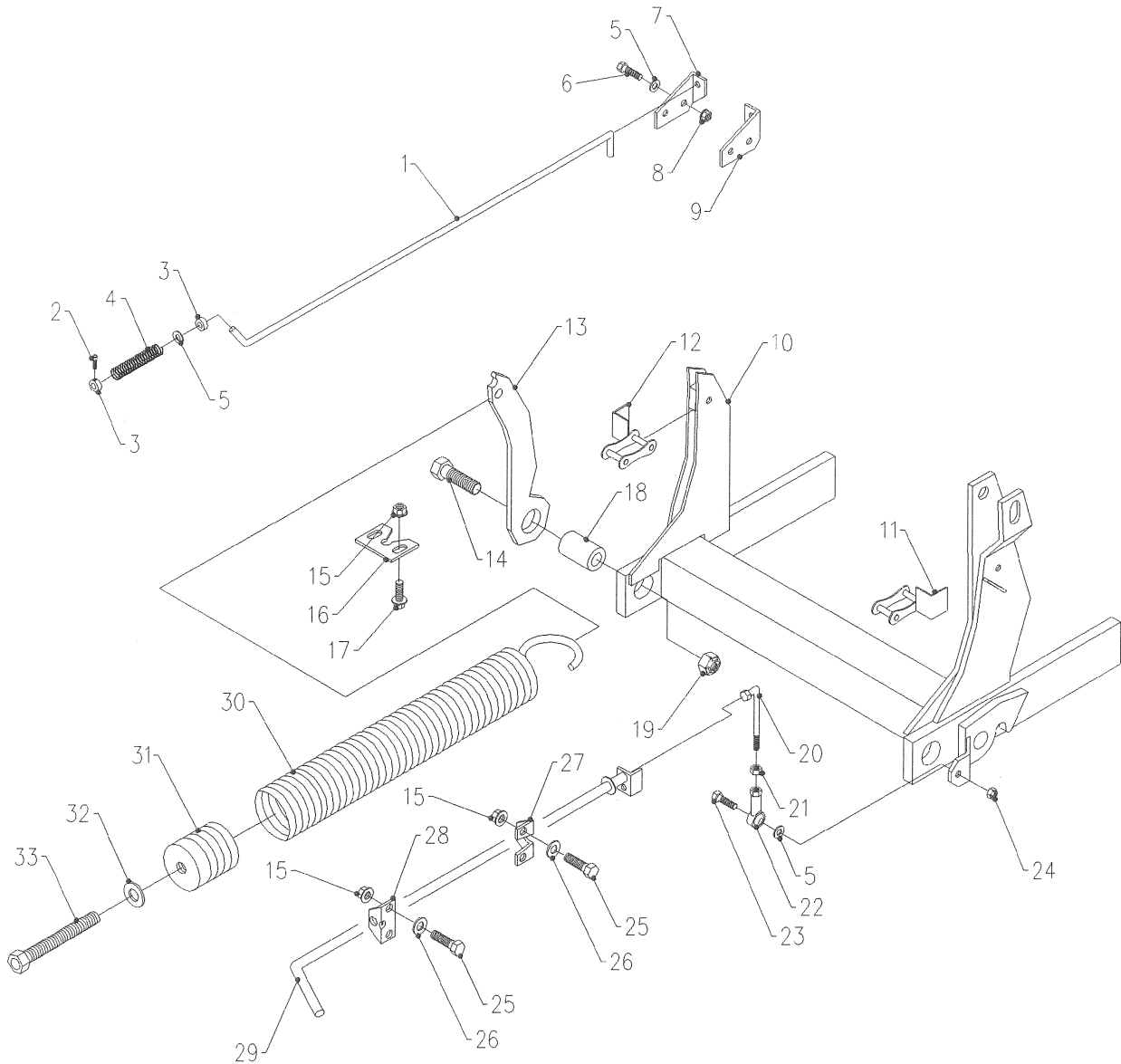
FIGURE 28 FRONT FRAME

| REF. | PART NO. | DESCRIPTION | QTY. |
|------|-----------|-----------------------------|------|
| 1 | 62.0777 | Front Frame (left) | 1 |
| 2 | 62.0778 | Front Frame (right) | 1 |
| 3 | 95.06 | 3/8 SAE Flat Washer | 13 |
| 4 | 90.0606 | 3/8 x 3/4 USS Bolt | 11 |
| 5 | 90.0608 | 3/8 x 1 USS Bolt | 2 |
| 6 | 99.SF06 | 3/8 USS Flange Nut | 15 |
| 7 | 64.0699 | Foot Peg (right) | 1 |
| 8 | 62.0780 | Front Connector Link Anchor | 1 |
| 9 | 99.A10NF | 5/8 SAE Lock Nut | 2 |
| 10 | 95.10 | 5/8 SAE Flat Washer | 3 |
| 11 | 96.10 | 5/8 Lock Washer | 6 |
| 12 | 90.1010 | 5/8 x 1-1/4 USS Bolt | 6 |
| 13 | 91.1018 | 5/8 x 2-1/4 SAE Bolt | 1 |
| 14 | 64.0708 | Skid Plate (right) | 1 |
| 15 | 91.1016 | 5/8 x 2 SAE Bolt | 1 |
| 16 | 42.0396 | Front/Rear Connector Link | 1 |
| 17 | 99.SF0606 | 3/8 x 3/4 USS Flange Bolt | 2 |
| 18 | 62.0779 | Cross Member | 1 |
| 19 | 64.0709 | Skid Plate (left) | 1 |
| 20 | 62.0776 | Center Frame | 1 |
| 21 | 99.E0057 | *5/8 SAE Castle Nut | 1 |
| 22 | 99.K0077 | *5/16 x 1 Grade 8 Bolt | 4 |
| 23 | 96.05 | *5/16 Lock Washer | 4 |
| 24 | 99.E0056 | *5/16 SAE Grade 8 Nut | 4 |
| 25 | 02.CP0413 | *1/8 Cotter Pin | 1 |
| 26 | 43.0101 | Ball Joint Assembly | 1 |
| 27 | 99.SF05 | 5/16 USS Flange Nut | 3 |
| 28 | 64.0698 | Neutral Switch Bracket | 1 |
| 29 | 95.05 | 5/16 SAE Flat Washer | 2 |
| 30 | 90.0506 | 5/16 x 3/4 USS Bolt | 2 |
| 31 | 64.0696 | High/Low Shift Bracket | 1 |
| 32 | 64.0723 | **High/Low Shift Bracket | 1 |
| 33 | 64.0707 | Foot Peg (left) | 1 |
| 34 | 44.0162 | Teflon Hose Protector | 1 |
| 35 | 30.0037 | Tyton Tie | 1 |
| 36 | 99.SF04 | 1/4 USS Flange Nut | 1 |
| 37 | 64.0750 | Hose Retainer | 1 |
| 38 | 90.0410 | 1/4 x 1-1/4 USS Bolt | 1 |
| 39 | 05.0060 | Grommet | 1 |
| 40 | 05.0073 | 3/16 Groove Grommet | 1 |
| 41 | 64.0691 | Front Hose Clip | 1 |
| 42 | 96.08 | 1/2" Lock Washer | 1 |
| 43 | 90.0806 | 1/2-13 x 3/4 Bolt | 1 |

*Supplied with 43.0101 ball joint assembly. **Used on units with fuel filter/water separator. Revised 9/00

PARTS

FIGURE 29 ILLUSTRATED DRAWING FRONT HITCH



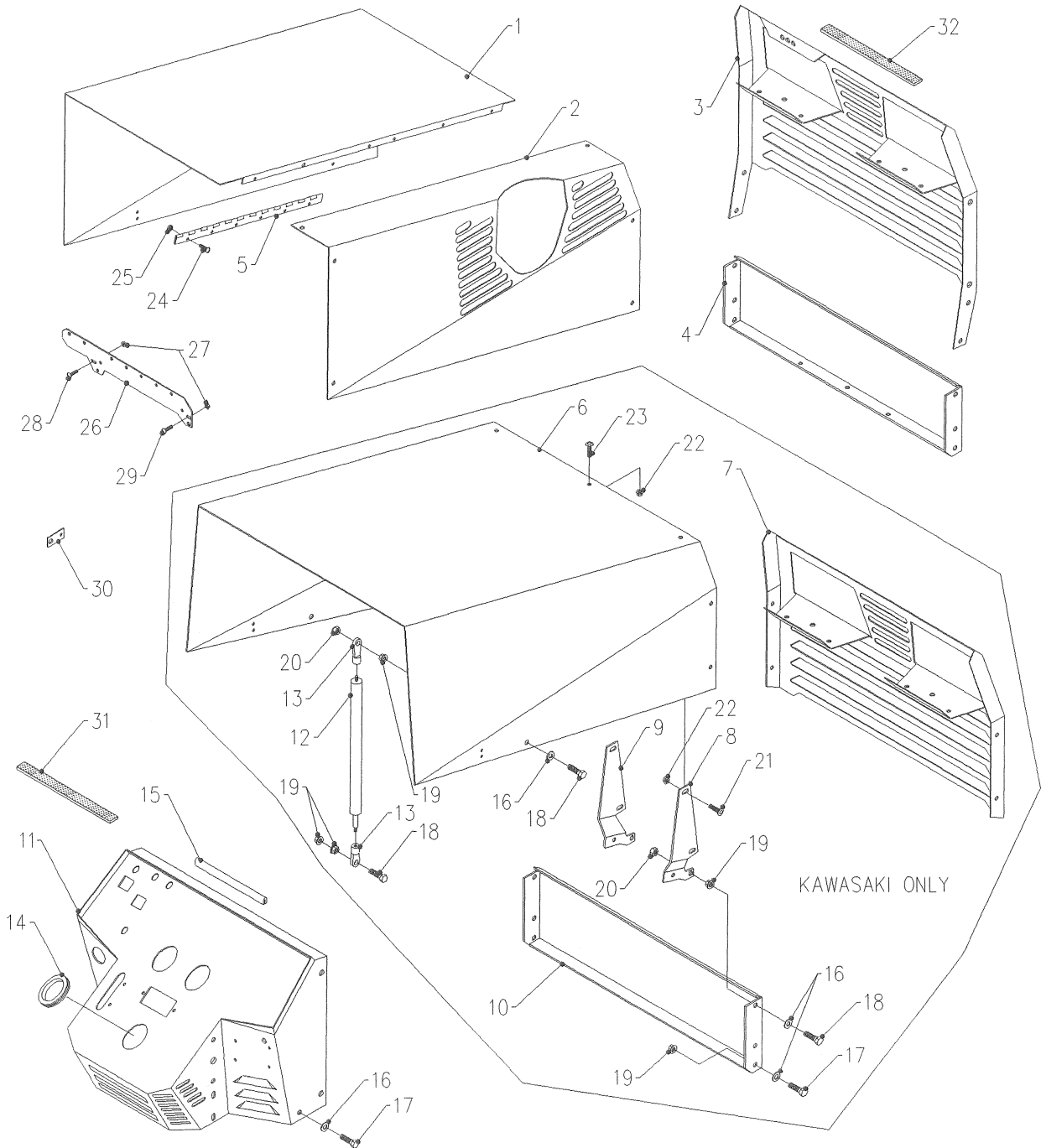
PARTS

FIGURE 29 FRONT HITCH

| REF. | PART NO. | DESCRIPTION | QTY. |
|------|-----------|-------------------------------------|------|
| 1 | 40.0248 | Weight Transfer Control Handle | 2 |
| 2 | 99.K0081 | 10-32 x 5/8 Socket Head Cap Screw | 2 |
| 3 | 85.SC05 | 5/16 Set Collar | 4 |
| 4 | 41.0047 | Compression Spring | 2 |
| 5 | 95.04 | 1/4 SAE Flat Washer | 7 |
| 6 | 90.0406 | 1/4 x 3/4 USS Bolt | 4 |
| 7 | 64.0704 | Transfer Control Rod Anchor (left) | 1 |
| 8 | 99.SF04 | 1/4 USS Flange Nut | 4 |
| 9 | 64.0710 | Transfer Control Rod Anchor (right) | 1 |
| 10 | 62.0788 | Front Hitch Frame | 1 |
| 11 | 64.0727 | Weight Transfer Stop (right) | 1 |
| 12 | 64.0728 | Weight Transfer Stop (left) | 1 |
| 13 | 64.0700 | Front Transfer Spring Mount | 2 |
| 14 | 90.0820 | 1/2 x 2-1/2 USS Bolt | 2 |
| 15 | 99.SF05 | 5/16 USS Flange Nut | 8 |
| 16 | 64.0702 | Transfer Spring Anchor Stop | 2 |
| 17 | 99.SF0506 | 5/16 x 3/4 USS Flange Bolt | 4 |
| 18 | 64.0720 | Front Hitch Spacer | 2 |
| 19 | 99.A08 | 1/2 USS Locknut | 2 |
| 20 | 99.F0037 | J-Bolt | 1 |
| 21 | 93.04 | 1/4 SAE Nut | 1 |
| 22 | 43.004 | 1/4 Spherical Rod End | 1 |
| 23 | 90.0408 | 1/4 x 1 USS Bolt | 1 |
| 24 | 99.A04 | 1/4 USS Locknut | 1 |
| 25 | 90.0506 | 5/16 x 3/4 USS Bolt | 4 |
| 26 | 95.05 | 5/16 SAE Flat Washer | 4 |
| 27 | 64.0695 | Quick Hitch Handle Anchor (front) | 1 |
| 28 | 64.0694 | Quick Hitch Handle Anchor (rear) | 1 |
| 29 | 40.0250 | Hitch Lock Lever | 1 |
| 30 | 41.0055 | Weight Transfer Spring | 2 |
| 31 | 86.0039 | Transfer Spring Plug | 2 |
| 32 | 95.08 | 1/2 SAE Flat Washer | 2 |
| 33 | 99.F0036 | Transfer Spring Bolt | 2 |

PARTS

FIGURE 30 ILLUSTRATED DRAWING HOOD, GRILL, DASH



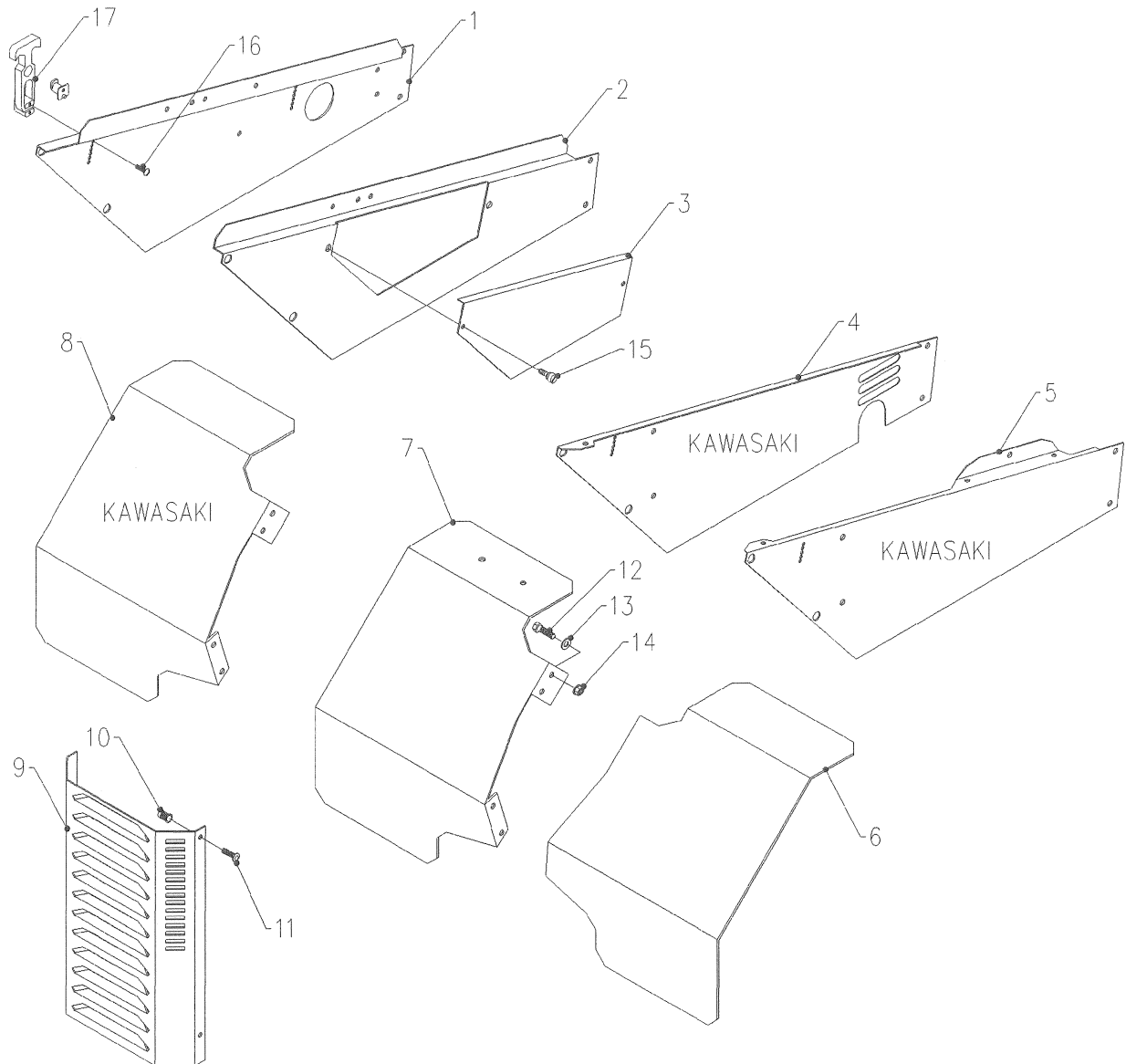
PARTS

FIGURE 30 HOOD, GRILL, DASH

| REF. | PART NO. | DESCRIPTION | QTY. |
|------|--------------|-------------------------------------------|------|
| 1 | 60.0681 | Left Hood Panel | 1 |
| 2 | 60.0684 | Right Hood Panel (Vanguard) | 1 |
| 2 | 60.0683 | Right Hood Panel (Kubota) | 1 |
| 3 | 60.0680 | Front Grill | 1 |
| 4 | 62.0781 | Front Bumper | 1 |
| 5 | 47.0119 | Hood Hinge | 1 |
| 6 | 60.0695 | Hood | 1 |
| 7 | 60.0696 | Front Grill | 1 |
| 8 | 64.0756 | Right Hood Hinge | 1 |
| 9 | 64.0757 | Left Hood Hinge | 1 |
| 10 | 62.0797 | Front Bumper | 1 |
| 11 | 62.0809 | Dash (serial# ___1117 & up, all units) | 1 |
| 11 | 62.0787 | Dash (Kubota, serial # ___1116 & less) | 1 |
| 11 | 62.0799 | Dash (Kawasaki, serial# ___1116 & less) | 1 |
| 12 | 47.0102 | Gas Spring Shock (Kawasaki) | 1 |
| 12 | 47.0125 | Gas Spring Shock (Kubota/Vanguard) | 1 |
| 13 | 47.0103 | M6 Eyelet End Fitting | 2 |
| 14 | 05.0040 | Grommet | 1 |
| 15 | 06.0042-37IN | *Trim Loc x 37 | 1 |
| 16 | 95.05 | 5/16 SAE Flat Washer | 12 |
| 17 | 90.0506 | 5/16 x 3/4 USS Bolt | 10 |
| 18 | 90.0508 | 5/16 x 1 USS Bolt | 4 |
| 19 | 99.SF05 | 5/16 USS Flange Nut | 15 |
| 20 | 99.A05 | 5/16 USS Locknut | 3 |
| 21 | 99.K0069 | 1/4 x 5/8 USS Button Head Bolt | 4 |
| 22 | 99.SF04 | 1/4 USS Flange Nut | 11 |
| 23 | 99.K0063 | 1/4 x 1/2 USS Button Head Bolt | 3 |
| 24 | 99.K0042 | 10-32 x 3/8 Machine Screw | 12 |
| 25 | 99.E0049 | 10-32 Star Nut | 12 |
| 26 | 64.0706 | Circuit Breaker Mounting Plate | 1 |
| 27 | 99.E0035 | 10-32 Flange Nut | 2 |
| 28 | 99.K0062 | 10-32 x 1/2 Machine Screw | 1 |
| 29 | 99.K0047 | 10-32 x 3/4 Machine Screw | 1 |
| 30 | 64.0711 | Single Circuit Breaker Mount | 1 |
| 31 | 06.0045-29IN | *3/4 Weather Strip x 29 (Kubota/Vanguard) | 1 |
| 31 | 06.0045-41IN | *3/4 Weather Strip x 41 (Kawasaki) | 1 |
| 32 | 06.0045-32IN | *3/4 Weather Strip x 32 | 1 |

PARTS

FIGURE 31
ILLUSTRATED DRAWING
SHIELDS, FENDERS



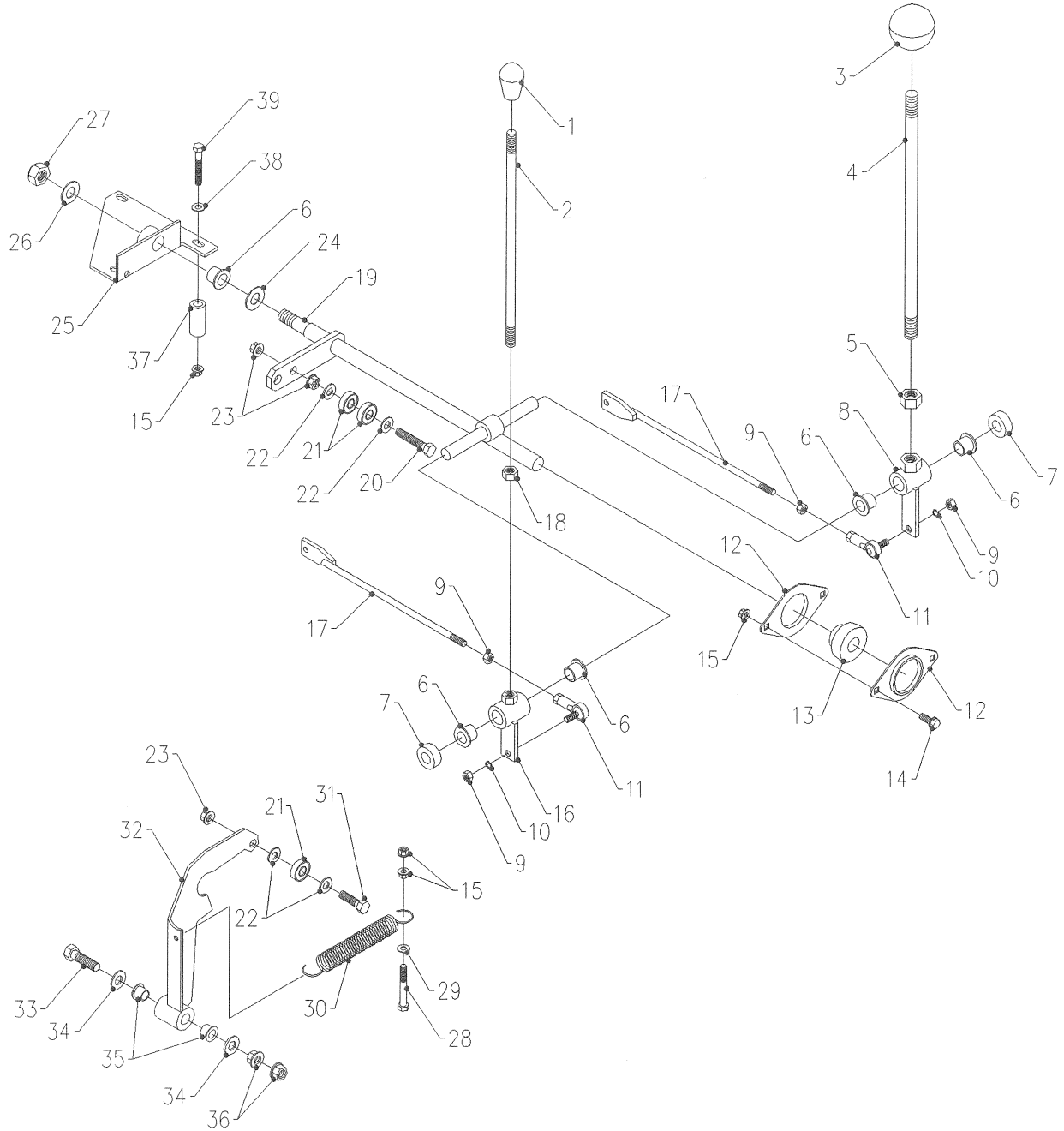
PARTS

FIGURE 31 SHIELDS, FENDERS

| REF. | PART NO. | DESCRIPTION | QTY. |
|------|----------|-------------------------------------------|------|
| 1 | 60.0685 | Left Engine Compartment Panel | 1 |
| 2 | 60.0687 | Right Engine Compartment Panel | 1 |
| 3 | 60.0688 | Access Hole Cover | 1 |
| 4 | 60.0693 | Left Engine Compartment Panel (Kawasaki) | 1 |
| 5 | 60.0694 | Right Engine Compartment Panel (Kawasaki) | 1 |
| 6 | 60.0677 | Front Right Fender | 1 |
| 7 | 60.0689 | Front Left Fender | 1 |
| 8 | 60.0678 | Front Left Fender (Kawasaki) | 1 |
| 9 | 60.0679 | Pump Cover | 1 |
| 10 | 99.E0052 | 1/4 SAE Rivet Nut | 4 |
| 11 | 99.K0069 | 1/4 x 5/8 USS Button Head Bolt | 4 |
| 12 | 90.0506 | 5/16 x 3/4 USS Bolt | 16 |
| 13 | 95.05 | 5/16 SAE Flat Washer | 16 |
| 14 | 99.SF05 | 5/16 USS Flange Nut | 12 |
| 15 | 99.K0070 | Quick Action Bolt | 2 |
| 16 | 99.K0072 | 10-24 x 1/2 Machine Screw | 6 |
| 17 | 47.0127 | T-Handle Rubber Latch | 2 |

PARTS

FIGURE 32 ILLUSTRATED DRAWING HAND CONTROLS



PARTS

FIGURE 32 HAND CONTROLS

| REF. | PART NO. | DESCRIPTION | QTY. |
|------|-----------|------------------------------------|------|
| 1 | 47.0001 | Small Knob | 1 |
| 2 | 40.0241 | Auxiliary Valve Control Handle | 1 |
| 3 | 47.0003 | Large Knob | 1 |
| 4 | 40.0240 | Forward/Reverse Control Handle | 1 |
| 5 | 92.08 | 1/2 USS Nut | 1 |
| 6 | 85.B0027 | 1/2 x 5/8 Nylon Bushing | 5 |
| 7 | 64.0790 | 1/2 Set Collar | 2 |
| 8 | 42.0400 | Pivot Arm (Forward/Reverse Handle) | 1 |
| 9 | 93.04 | 1/4 SAE Nut | 4 |
| 10 | 96.04 | 1/4 Lock Washer | 2 |
| 11 | 43.004S | 1/4 Studded Spherical Rod End | 2 |
| 12 | 55.0028 | Bearing Flange Mount | 2 |
| 13 | 55.0029 | UHMW Spherical Bearing | 1 |
| 14 | 99.SF0406 | 1/4 x 3/4 USS Flange Bolt | 2 |
| 15 | 99.SF04 | 1/4 USS Flange Nut | 5 |
| 16 | 42.0399 | Pivot Arm (Auxiliary Valve Handle) | 1 |
| 17 | 42.0391 | Valve Handle Link | 2 |
| 18 | 92.06 | 3/8 USS Nut | 1 |
| 19 | 42.0389 | Torsion Rod (Forward/Reverse Arm) | 1 |
| 20 | 90.0512 | 5/16 x 1-1/2 USS Bolt | 1 |
| 21 | 55.0022 | Ball Bearing | 3 |
| 22 | 95.05 | 5/16 SAE Flat Washer | 4 |
| 23 | 99.SF05 | 5/16 USS Flange Washer | 3 |
| 24 | 95.08 | 1/2 SAE Flat Washer | 1 |
| 25 | 64.0684 | Valve Plate | 1 |
| 26 | 05.0052 | Plastic Washer | 1 |
| 27 | 99.A08 | 1/2 USS Locknut | 1 |
| 28 | 90.0410 | 1/4 x 1-1/4 USS Bolt | 1 |
| 29 | 94.04 | 1/4 USS Washer | 1 |
| 30 | 41.0020 | Spring | 1 |
| 31 | 90.0508 | 5/16 x 1 USS Bolt | 1 |
| 32 | 40.0252 | Forward/Reverse Lock | 1 |
| 33 | 90.0620 | 3/8 x 2-1/2 USS Bolt | 1 |
| 34 | 95.06 | 3/8 SAE Flat Washer | 2 |
| 35 | 85.B0068 | 3/8 x 1/2 Nylon Bushing | 2 |
| 36 | 99.SF06 | 3/8 USS Flange Nut | 2 |
| 37 | 64.0719 | 3/8 x 5/8 x 1-3/8 Spacer | 1 |
| 38 | 95.04 | 1/4 SAE Flat Washer | 3 |
| 39 | 90.0418 | 1/4 x 2-1/4 USS Bolt | 3 |

PARTS

FIGURE 33 FORWARD/REVERSE ROCKER

| REF. | PART NO. | DESCRIPTION | QTY. |
|------|----------|-------------------------------|------|
| 1 | 93.06 | 3/8 SAE Nut | 6 |
| 2 | 96.06 | 3/8 Lock Washer | 3 |
| 3 | 42.0393 | Rocker Link (front) | 1 |
| 4 | 43.006S | 3/8 Studded Spherical Rod End | 1 |
| 5 | 40.0269 | Rocker Arm (front) | 1 |
| 6 | 40.0268 | Rocker Arm (rear) | 1 |
| 7 | 99.SF08 | 1/2 USS Flange Nut | 2 |
| 8 | 95.08 | 1/2 SAE Flat Washer | 2 |
| 9 | 85.B0027 | 1/2 x 5/8 Nylon Bushing | 2 |
| 10 | 99.SF06 | 3/8 USS Flange Nut | 2 |
| 11 | 99.A06 | 3/8 USS Locknut | 4 |
| 12 | 95.06 | 3/8 SAE Flat Washer | 5 |
| 13 | 43.006 | 3/8 Spherical Rod End | 2 |
| 14 | 90.0610 | 3/8 x 1-1/4 USS Bolt | 2 |
| 15 | 42.0392 | Rocker Link (rear) | 1 |
| 16 | 90.0612 | 3/8 x 1-1/2 USS Bolt | 1 |
| 17 | 47.0002 | Stabilizer | 1 |
| 18 | 41.0063 | Spring | 2 |
| 19 | 90.0628 | 3/8 x 3-1/2 USS Bolt | 2 |
| 20 | 92.06 | 3/8 USS Nut | 1 |
| 21 | 64.0722 | 7/16 x 7/8 x 3/4 Bushing | 1 |
| 22 | 90.0620 | 3/8 x 2-1/2 USS Bolt | 1 |
| 23 | 90.0830 | 1/2 x 3-3/4 USS Bolt | 1 |

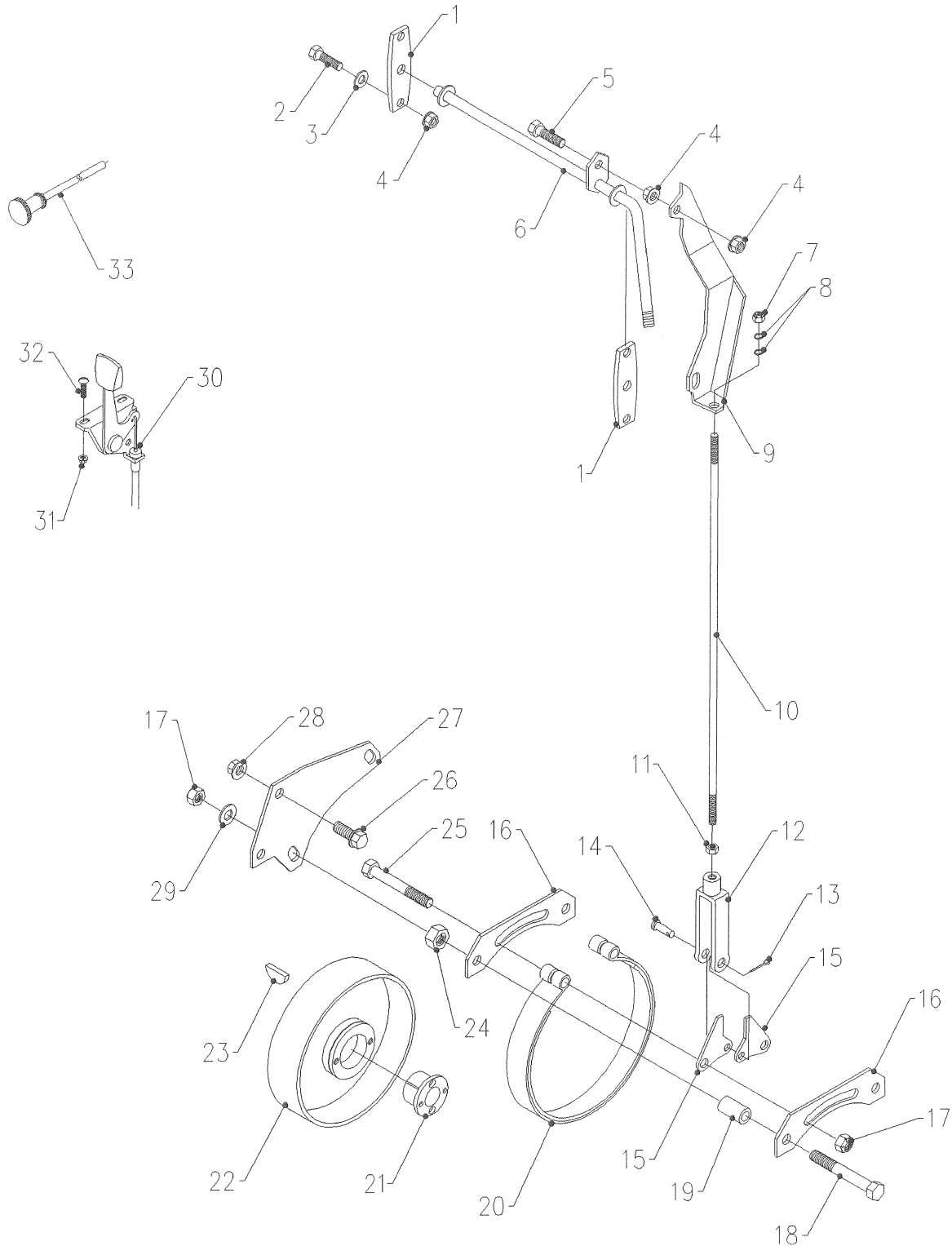
PARTS

FIGURE 34 NEUTRAL POSITION ASSEMBLY

| REF. | PART NO. | DESCRIPTION | QTY. |
|--------------|--------------------|---------------------------------------|------|
| 1 | 40.0247 | Neutral Rocker Arm | 1 |
| 2 | 99.SF05 | 5/16 USS Flange Nut | 4 |
| 3 | 41.0059 | Extension Spring | 1 |
| 4 | 90.0508 | 5/16 x 1 USS Bolt | 3 |
| 5 | 95.08 | 1/2 SAE Flat Washer. | 1 |
| 6 | 64.0690 | Neutral Alignment Clip | 2 |
| 7 | 95.05 | 5/16 SAE Flat Washer | 3 |
| 8 | 55.0022 | Ball Bearing | 1 |
| 9 | 64.0714 | Neutral Adjusting Locknut | 1 |
| 10 | 42.0398 | Neutral Arm | 1 |
| 11 | 41.0060 | Extension Spring | 1 |
| 12 | 99.SF04 | 1/4 USS Flange Nut | 2 |
| 13 | 90.0410 | 1/4 x 1-1/4 USS Bolt | 1 |
| 14 | 64.0790 | 1/2 Set Collar | 1 |
| 15 | 99.B0056 | 14 ga x 1/2 Machinery Washer. | 1 |

PARTS

FIGURE 35
ILLUSTRATED DRAWING
PARK BRAKE, THROTTLE, CHOKE



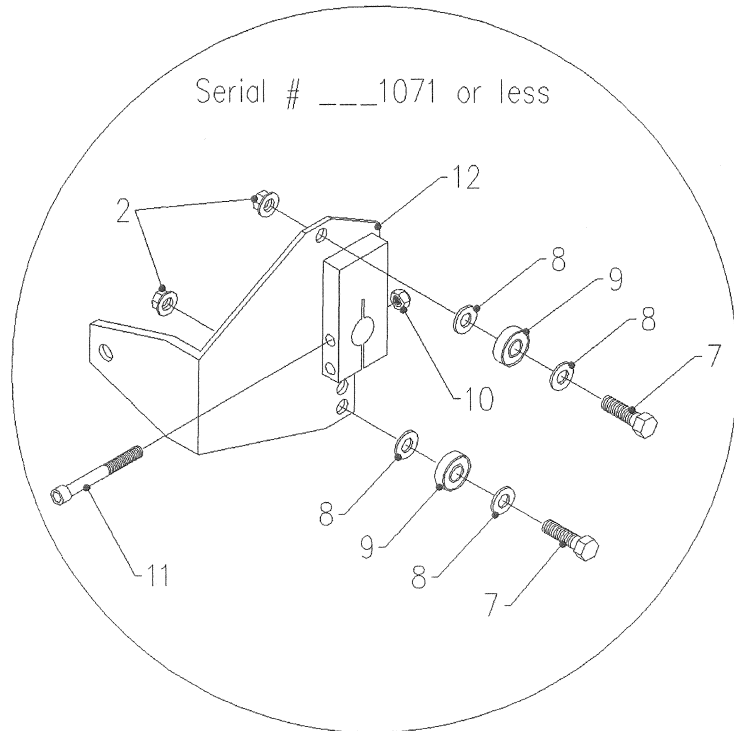
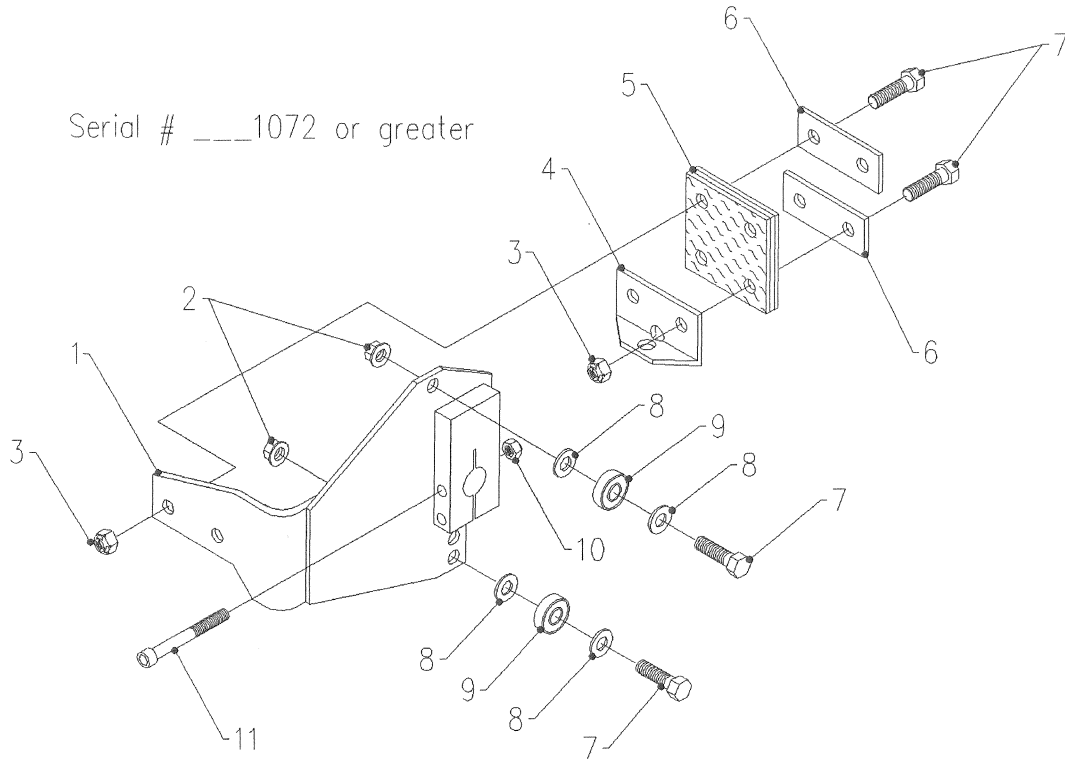
PARTS

FIGURE 35 PARK BRAKE, THROTTLE, CHOKE

| REF. | PART NO. | DESCRIPTION | QTY. |
|------|-----------|------------------------------|------|
| 1 | 64.0701 | Handle Pivot Plate | 2 |
| 2 | 90.0506 | 5/16 x 3/4 USS Bolt | 4 |
| 3 | 95.05 | 5/16 SAE Flat Washer | 4 |
| 4 | 99.SF06 | 5/16 USS Flange Nut | 6 |
| 5 | 90.0508 | 5/16 x 1 USS Bolt | 1 |
| 6 | 40.0245 | Park Brake Handle | 1 |
| 7 | 99.A04NFN | 1/4 SAE Nylon Locknut | 1 |
| 8 | 96.04 | 1/4 Lock Washer | 2 |
| 9 | 42.0397 | Neutral/Brake Connector Link | 1 |
| 10 | 42.0394 | Brake Rod | 1 |
| 11 | 93.04 | 1/4 SAE Nut | 1 |
| 12 | 43.C04-28 | 1/4 SAE Clevis End | 1 |
| 13 | 02.CP0306 | Cotter Pin | 1 |
| 14 | 03.040638 | 1/4 x 51/64 Clevis Pin | 1 |
| 15 | 42.0359 | Brake Finger Link | 2 |
| 16 | 64.0726 | Brake Band Slide | 2 |
| 17 | 99.A06 | 3/8 USS Locknut | 4 |
| 18 | 90.0620 | 3/8 x 2-1/2 USS Bolt | 2 |
| 19 | 64.0718 | Brake Spacer | 2 |
| 20 | 53.0076 | Brake Band | 1 |
| 21 | 82.0086 | 1" G-Hub Bushing | 1 |
| 22 | 50.0045 | Brake Drum | 1 |
| 23 | 85.W0306 | 3/16 x 3/4 Woodruff Key | 1 |
| 24 | 92.08 | 1/2 USS Nut | 2 |
| 25 | 90.0616 | 3/8 x 2 USS Bolt | 2 |
| 26 | 99.SF0606 | 3/8 x 3/4 USS Flange Bolt | 2 |
| 27 | 64.0705 | Brake Anchor Plate | 1 |
| 28 | 99.SF06 | 3/8 USS Flange Nut | 2 |
| 29 | 95.06 | 3/8 SAE Flat Washer | 2 |
| 30 | 47.0164 | Throttle Cable | 1 |
| 31 | 99.E0035 | 10-32 Flange Nut | 2 |
| 32 | 99.K0062 | 10-32 x 1/2 Machine Screw | 2 |
| 33 | 47.0121 | Choke Cable | 1 |

PARTS

FIGURE 36 ILLUSTRATED DRAWING PUMP CONTROL ARM



PARTS

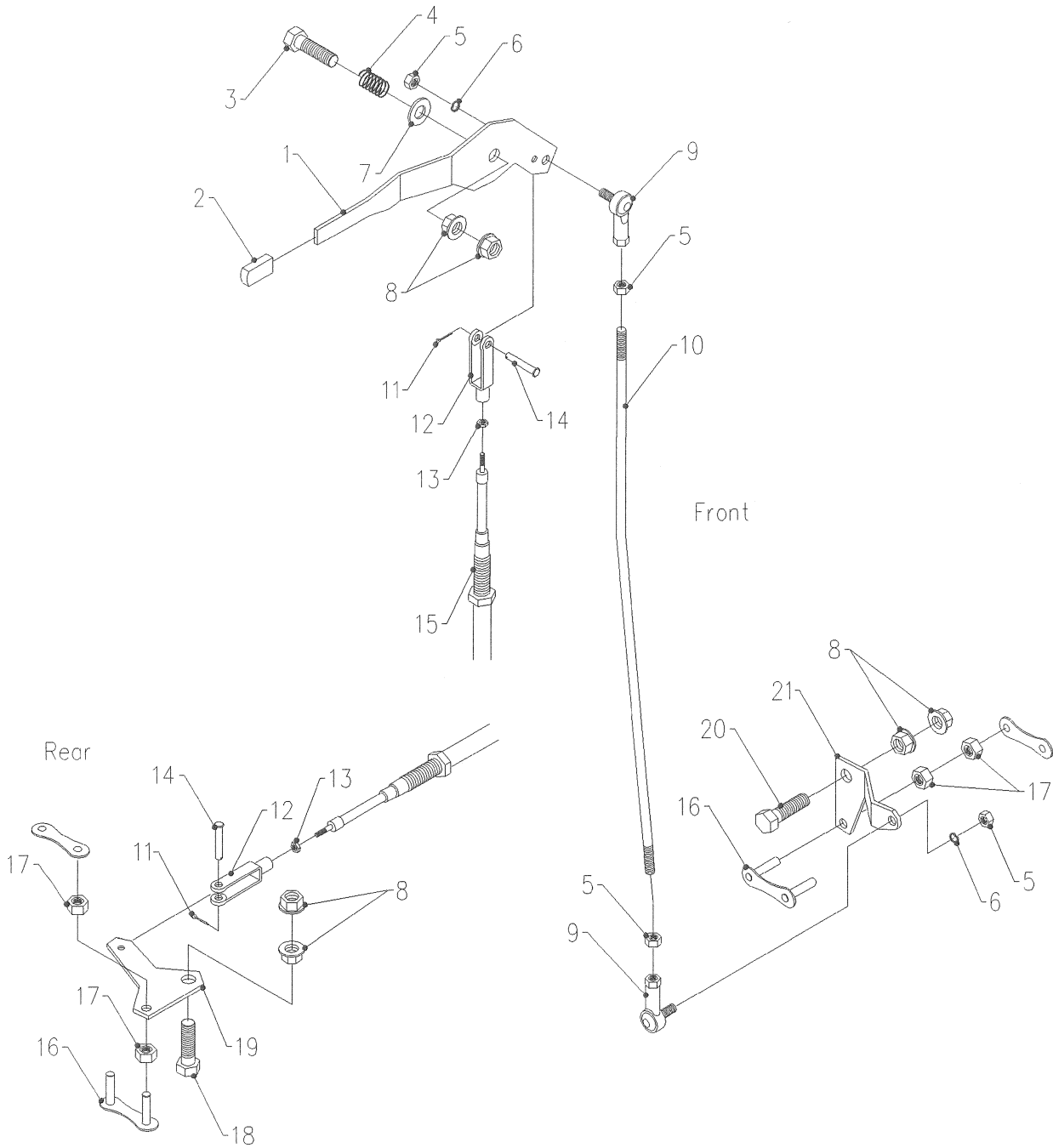
FIGURE 36 PUMP CONTROL ARM

| REF. | PART NO. | DESCRIPTION | QTY. |
|------|------------|--------------------------------------|------|
| 1 | 40.0253. | Control Arm | 1 |
| 2 | 99.SF05 | 5/16 USS Flange Nut | 2 |
| 3 | 99.A05 | 5/16 USS Locknut | 4 |
| 4 | 64.0764. | Connector Bracket | 1 |
| 5 | 44.0161. | Rubber Link | 1 |
| 6 | 64.0763. | Clamp Plate | 2 |
| 7 | 90.0508. | 5/16 x 1 USS Bolt | 6 |
| 8 | 95.05 | 5/16 SAE Flat Washer | 4 |
| 9 | 55.0022. | Ball Bearing | 2 |
| 10 | 99.A04NFN. | 1/4 SAE Nylon Locknut | 2 |
| 11 | 99.K0076 | 1/4 x 2 SAE Grade 8 Socket Head Bolt | 2 |
| 12 | 40.0246. | *Control Arm | 1 |

*Serial #___1071 or before

PARTS

FIGURE 37 ILLUSTRATED DRAWING HIGH/LOW SHIFT LINKAGE



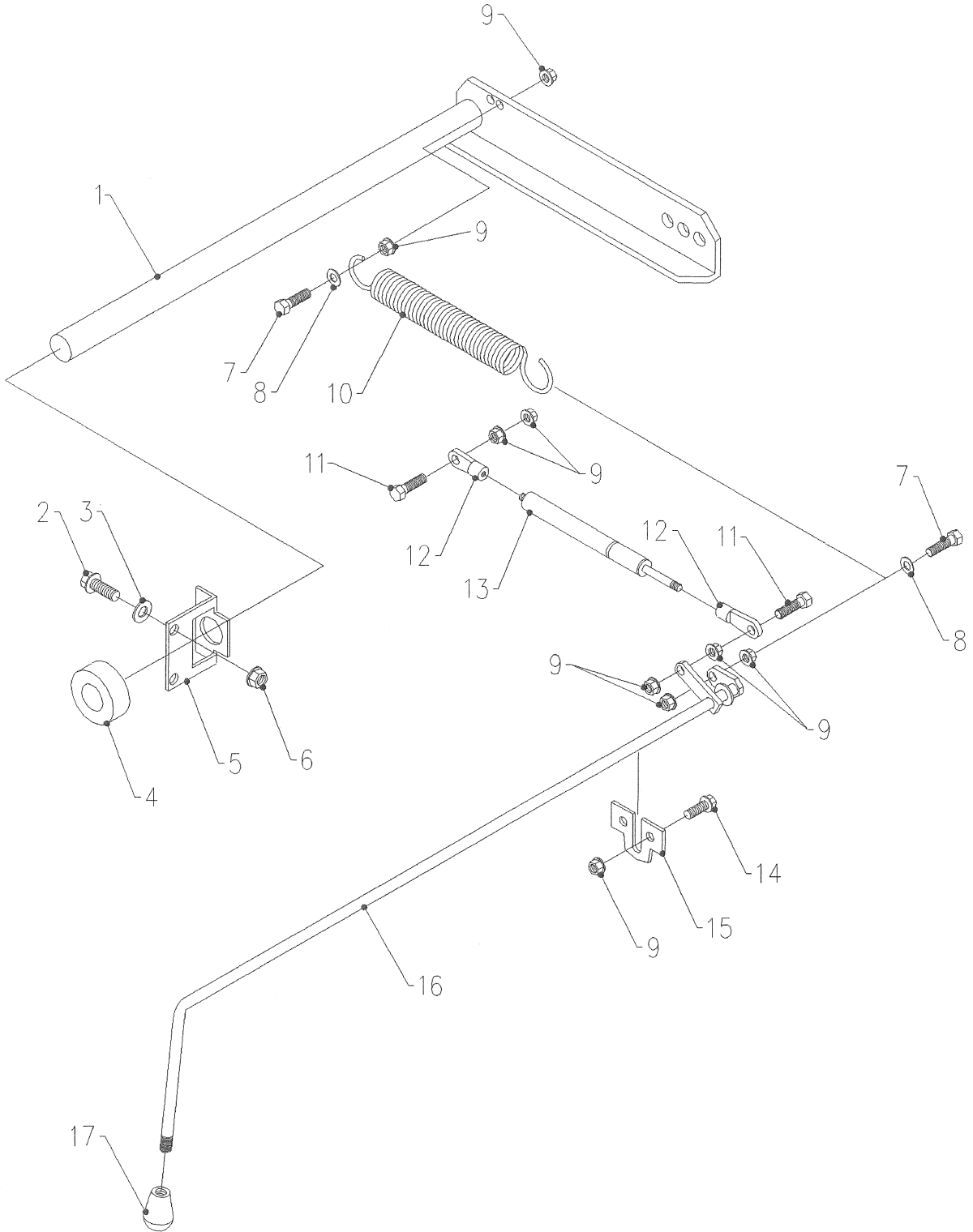
PARTS

FIGURE 37 HIGH/LOW SHIFT LINKAGE

| REF. | PART NO. | DESCRIPTION | QTY. |
|------|-----------|---------------------------------|------|
| 1 | 40.0249 | Shift Handle | 1 |
| 2 | 06.0044 | Plastic Cap | 1 |
| 3 | 90.0614 | 3/8 x 1-3/4 USS Bolt | 1 |
| 4 | 41.0039 | Compression Spring | 1 |
| 5 | 93.04 | 1/4 SAE Nut | 4 |
| 6 | 96.04 | 1/4 Lock Washer | 2 |
| 7 | 95.06 | 3/8 SAE Flat Washer | 1 |
| 8 | 99.SF06 | 3/8 USS Flange Nut | 6 |
| 9 | 43.004S | 1/4 Spherical Studded Rod End | 2 |
| 10 | 42.0395 | Linkage Rod | 1 |
| 11 | 02.CP0204 | 1/16 x 1/2 Cotter Pin | 2 |
| 12 | 43.C10-32 | 10-32 Clevis End | 2 |
| 13 | 99.E0034 | 10-32 Nut | 2 |
| 14 | 03.0305 | 3/16 x 5/8 Clevis Pin | 2 |
| 15 | 47.0122 | Shift Cable | 1 |
| 16 | 81.0124 | #60 Double Pitch Connector Link | 2 |
| 17 | 92.05 | 5/16 USS Nut | 4 |
| 18 | 90.0610 | 3/8 x 1-1/4 USS Bolt | 1 |
| 19 | 42.0390 | Rocker Arm | 1 |
| 20 | 90.0608 | 3/8 x 1 USS Bolt | 1 |
| 21 | 64.0703 | Pivot Plate | 1 |

PARTS

FIGURE 38
ILLUSTRATED DRAWING
BELT TIGHTENER



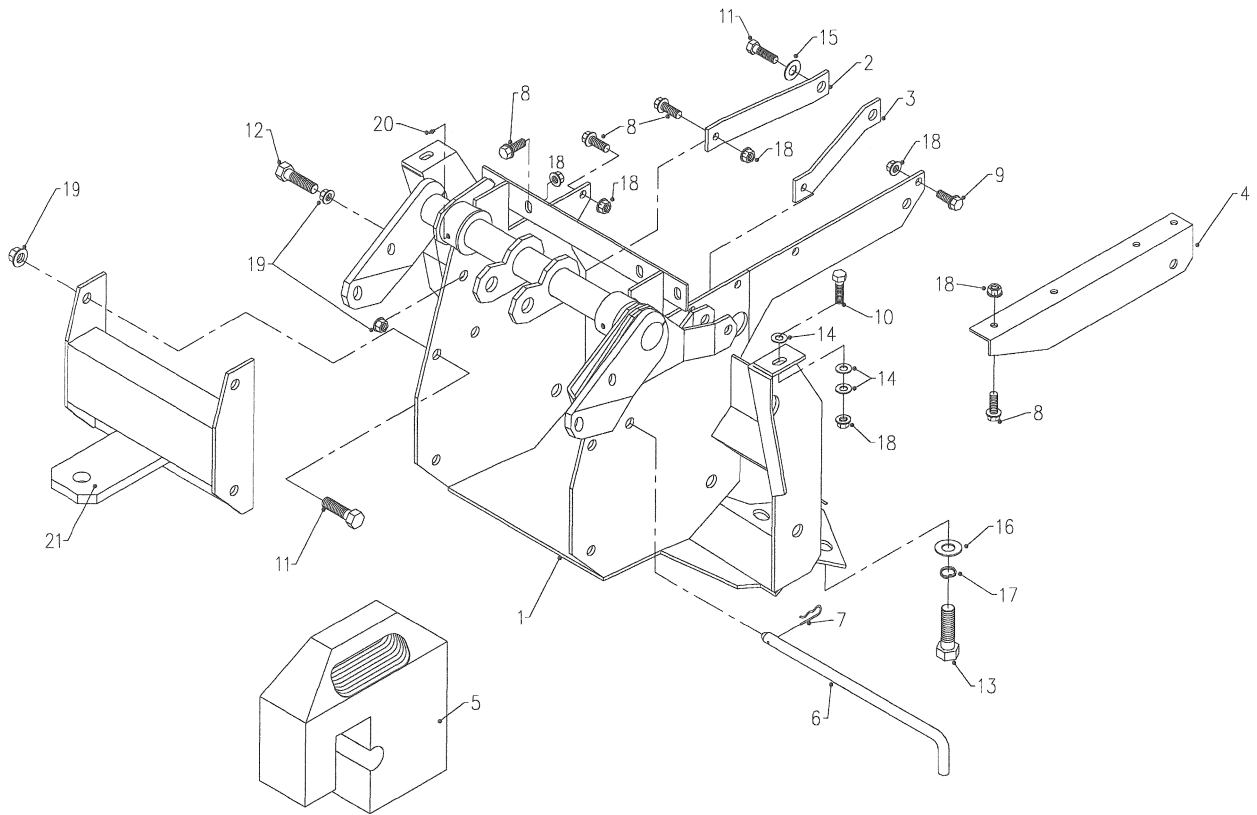
PARTS

FIGURE 38 BELT TIGHTENER

| REF. | PART NO. | DESCRIPTION | QTY. |
|------|-----------|------------------------------|------|
| 1 | 42.0401 | Belt Tightener Arm | 1 |
| 2 | 99.SF0606 | 3/8 x 3/4 USS Flange Bolt | 2 |
| 3 | 95.06 | 3/8 SAE Flat Washer | 2 |
| 4 | 64.0789 | 1" Set Collar | 1 |
| 5 | 64.0697 | Belt Tightener Anchor (rear) | 1 |
| 6 | 99.SF06 | 3/8 USS Flange nut | 2 |
| 7 | 90.0510 | 5/16 x 1-1/4 USS Bolt | 2 |
| 8 | 94.05 | 5/16 USS Flat Washer | 2 |
| 9 | 99.SF05 | 5/16 USS Flange Nut | 10 |
| 10 | 41.0056 | Extension Spring | 1 |
| 11 | 90.0508 | 5/16 x 1 USS Bolt | 2 |
| 12 | 47.0103 | M6 Eyelet End Fitting | 2 |
| 13 | 47.0128 | Hydraulic Damper | 1 |
| 14 | 99.SF0506 | 5/16 x 3/4 USS Flange Bolt | 2 |
| 15 | 64.0693 | Belt Tightener Lever Bracket | 1 |
| 16 | 40.0251 | Belt Tightener Lever | 1 |
| 17 | 47.0001 | Knob | 1 |

PARTS

FIGURE 39
ILLUSTRATED DRAWING
3 POINT HITCH FRAME



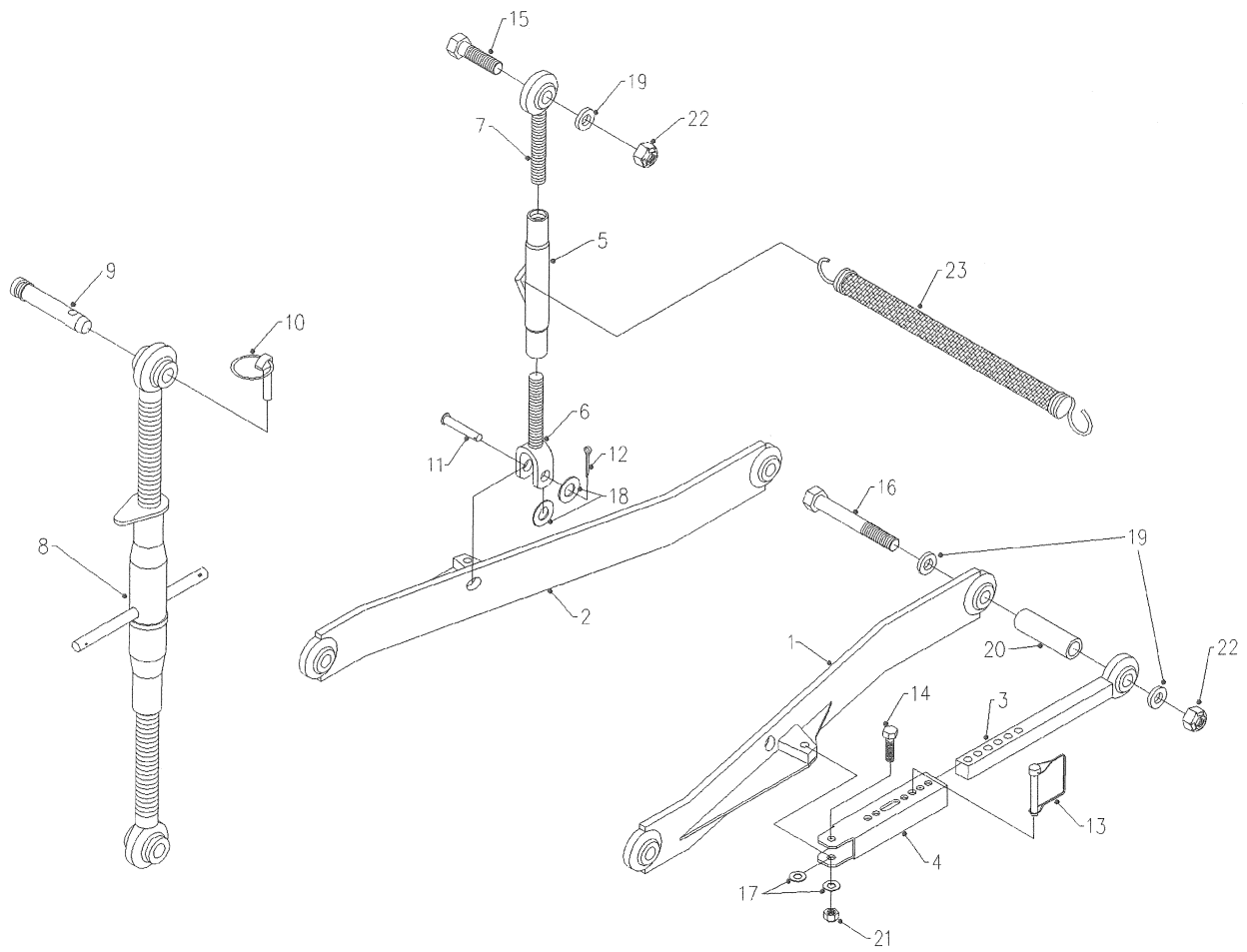
PARTS

FIGURE 39 3 POINT HITCH FRAME

| REF. | PART NO. | DESCRIPTION | QTY. |
|--------------|---------------------|-------------------------------------|------|
| 1 | 62.0791 | 3 Point Hitch Frame | 1 |
| 2 | 42.0404 | Left Axle Torque Link | 1 |
| 3 | 42.0405 | Right Axle Torque Link | 1 |
| 4 | 64.0735 | 3 Point Cylinder Anchor | 1 |
| 5 | 47.0115 | Weight | 3 |
| 6 | 64.0760 | Weight Secure Pin | 1 |
| 7 | 02.HP0416 | 1/8 x 2 Hairpin | 1 |
| 8 | 99.SF0606 | 3/8 x 3/4 USS Flange Bolt | 14 |
| 9 | 99.SF0608 | 3/8 x 1 USS Flange Bolt | 2 |
| 10 | 90.0614 | 3/8 x 1-3/4 USS Bolt | 2 |
| 11 | 90.0808 | 1/2 x 1 USS Bolt | 6 |
| 12 | 90.0814 | 1/2 x 1-3/4 USS Bolt | 1 |
| 13 | 90.1010 | 5/8 x 1-1/4 USS Bolt | 6 |
| 14 | 94.06 | 3/8 USS Flat Washer | 6 |
| 15 | 95.08 | 1/2 SAE Flat Washer | 2 |
| 16 | 95.10 | 5/8 SAE Flat Washer | 6 |
| 17 | 96.10 | 5/8 Lock Washer | 6 |
| 18 | 99.SF06 | 3/8 USS Flange Nut | 18 |
| 19 | 99.SF08 | 1/2 USS Flange Nut | 6 |
| 20 | 29.GF0001 | 1/4 SAE Grease Fitting | 2 |
| 21 | 62.0885 | Hitch Bar | 1 |

PARTS

FIGURE 40 ILLUSTRATED DRAWING 3 POINT HITCH ARMS



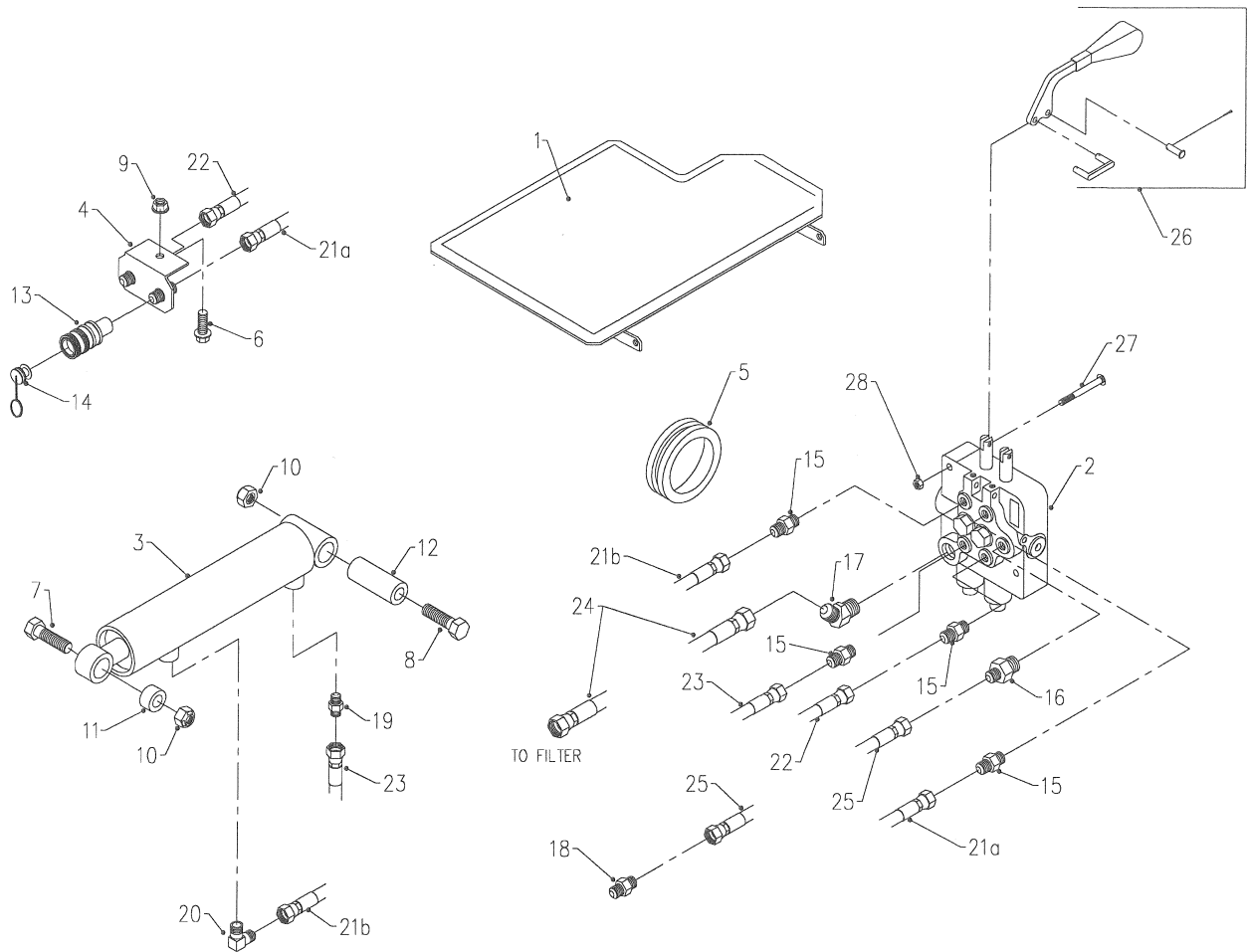
PARTS

FIGURE 40 3 POINT HITCH ARMS

| REF. | PART NO. | DESCRIPTION | QTY. |
|--------------|---------------------|---------------------------------|------|
| 1 | 62.0792 | Right Lift Arm | 1 |
| 2 | 62.0793 | Left Lift Arm | 1 |
| 3 | 42.0403 | Male Swaybar Link | 2 |
| 4 | 42.0402 | Female Swaybar Link | 2 |
| 5 | 42.0408 | Adjusting Link | 2 |
| 6 | 42.0410 | Adjusting Link Yoke | 2 |
| 7 | 42.0409 | Adjusting Link Swivel | 2 |
| 8 | 42.0406 | Adjusting Top Link | 1 |
| 9 | 03.0004 | Top Link Pin | 1 |
| 10 | 03.0005 | Lynch Pin. | 1 |
| 11 | 03.1014 | Clevis Pin | 2 |
| 12 | 02.CP0512 | Cotter Pin | 2 |
| 13 | 03.0001 | Safety Snap Pin | 2 |
| 14 | 90.0614 | 3/8 x 1-3/4 USS Bolt | 2 |
| 15 | 90.1018 | 5/8 x 2-1/4 USS Bolt | 2 |
| 16 | 90.1052 | 5/8 x 6-1/2 USS Bolt | 2 |
| 17 | 94.06 | 3/8 USS Flat Washer. | 4 |
| 18 | 95.10 | 5/8 SAE Flat Washer. | 4 |
| 19 | 99.B0061 | 21/32 Washer | 6 |
| 20 | 64.0759 | Bushing | 2 |
| 21 | 99.A06 | 3/8 USS Lock Nut | 2 |
| 22 | 99.A10 | 5/8 USS Lock Nut | 4 |
| 23 | 47.0136 | Bungee Cord | 1 |

PARTS

FIGURE 41 ILLUSTRATED DRAWING 3 POINT HYDRAULICS



REVISED 03-04-02

PARTS

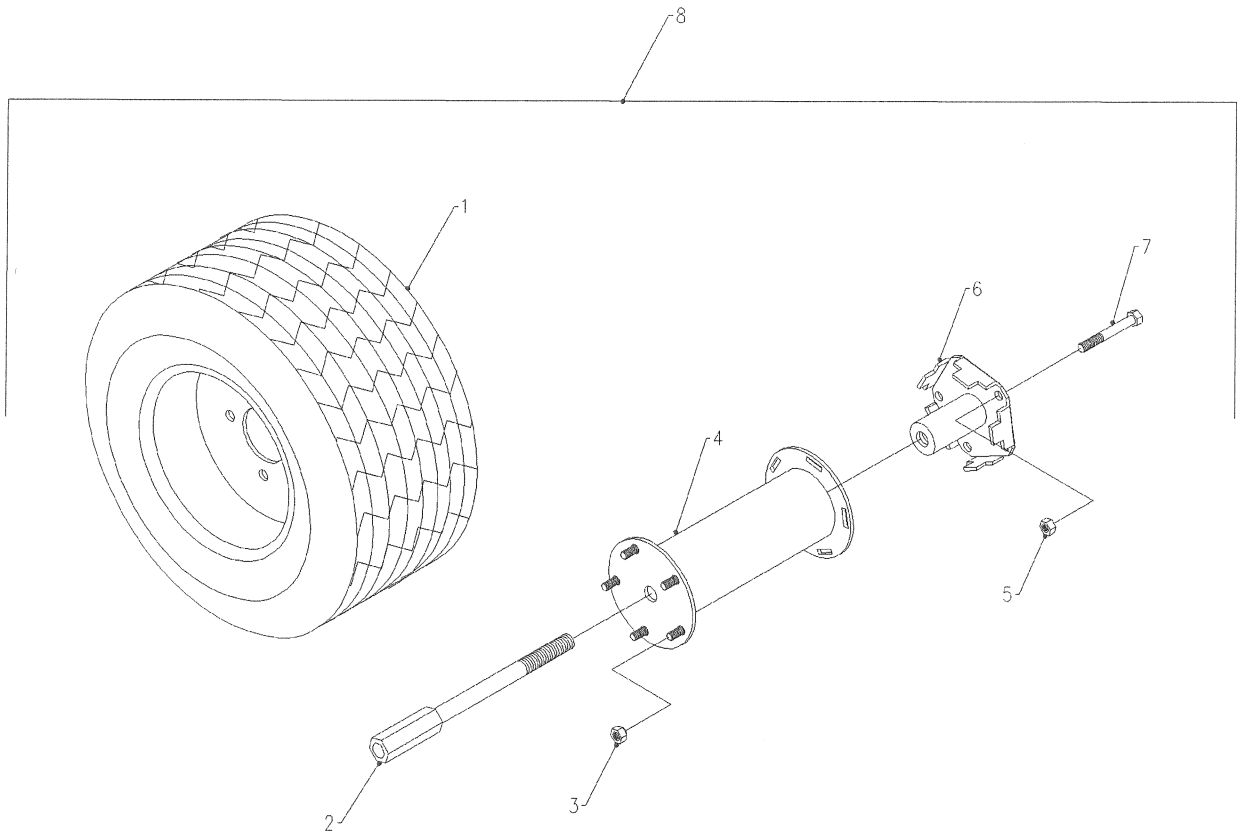
FIGURE 41 3 POINT HYDRAULICS

| REF. | PART NO. | DESCRIPTION | QTY. |
|------|---------------|------------------------------------|------|
| 1 | 64.0683 | Toolbox Lid | 1 |
| 2 | 23.0095 | 2 Spool Valve | 1 |
| 3 | 23.0103 | Hydraulic Cylinder | 1 |
| 4 | 64.0716 | Quick Coupler Bracket | 1 |
| 5 | 05.0056 | Rubber Grommet | 1 |
| 6 | 99.SF0506 | 5/16 x 3/4 Flange Bolt | 1 |
| 7 | 90.0814 | 1/2 x 1-3/4 USS Bolt | 1 |
| 8 | 90.0832 | 1/2 x 4 USS Bolt | 1 |
| 9 | 99.SF05 | 5/16 USS Flange Nut | 1 |
| 10 | 99.A08 | 1/2 USS Lock Nut | 2 |
| 11 | 64.0749 | Cylinder Spacer Bushing | 1 |
| 12 | 64.0675 | Swivel Frame Spacer Bushing | 1 |
| 13 | 23.0106 | Female Quick Coupler | 2 |
| 14 | 23.0107 | Quick Coupler Plug | 2 |
| 15 | 25.6400-06-06 | Hyd. Fitting Connector - 3/8 x 3/8 | 4 |
| 16 | 25.6400-06-08 | Hyd. Fitting Connector - 3/8 x 1/2 | 1 |
| 17 | 25.6802-06-08 | Hyd. Fitting, 45 deg. - 3/8 x 1/2 | 1 |
| 18 | 25.2403-06-06 | Hyd. Fitting Union - 3/8 x 3/8 | 1 |
| 19 | 25.2404-06-04 | Hyd. Fitting Connector - 3/8 x 1/4 | 1 |
| 20 | 25.2501-06-04 | Hyd. Fitting, 90 deg. - 3/8 x 1/4 | 1 |
| 21a | 20.0143 | Hyd. Hose - 1/4 x 27 | 1 |
| 21b | 20.0143 | Hyd. Hose - 1/4 x 27 | 1 |
| 22 | 20.0142 | Hyd. Hose - 1/4 x 29 | 1 |
| 23 | 20.0113 | Hyd. Hose - 1/4 x 38 | 1 |
| 24 | 20.0145 | Hyd. Hose - 3/8 x 16 | 1 |
| 25 | 20.0144 | Hyd. Hose - 3/8 x 24 | 1 |
| 26 | 23.0111-5 | Valve Handle Kit | 2 |
| 27 | 99.K0064 | 1/4-20 x 2 Button Head Bolt | 2 |
| 28 | 99.SF04 | 1/4-20 Flange Nut | 2 |

REVISED 03-04-02

PARTS

FIGURE 42
ILLUSTRATED DRAWING
DUAL WHEELS



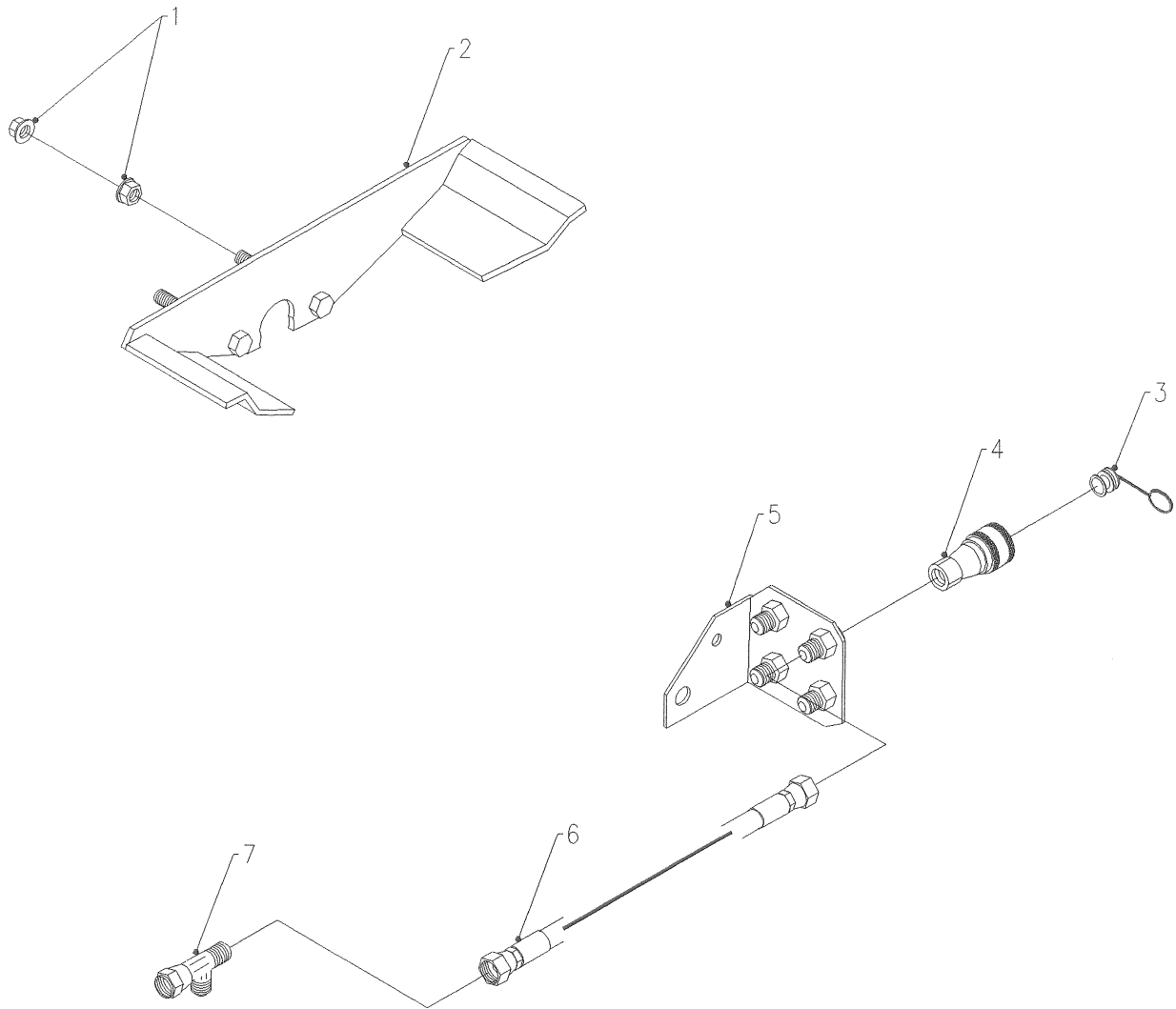
PARTS

FIGURE 42 DUAL WHEELS

| REF. | PART NO. | DESCRIPTION | QTY. |
|-------------|--------------------|--------------------------------|------|
| 1 | 53.0077 | Turf Tire | 1 |
| | 53.0087 | Optional Bar Tire | 1 |
| 2 | 64.0672 | Dual Wheel Drawbar | 1 |
| 3 | 99.E0044 | 7/16 SAE Lug Nut | 5 |
| 4 | 50.0052 | Dual Wheel Extension | 1 |
| 5 | 93.07 | 7/16 SAE Nut | 5 |
| 6 | 50.0051 | Inner Wheel Mount | 1 |
| 7 | 91.0724 | 7/16 x 3 SAE Bolt | 5 |
| 8 | 39.56100 | Dual Wheel Kit | 2 |

PARTS

FIGURE 43
ILLUSTRATED DRAWING
FOOT PEDAL, FRONT AUXILIARY



PARTS

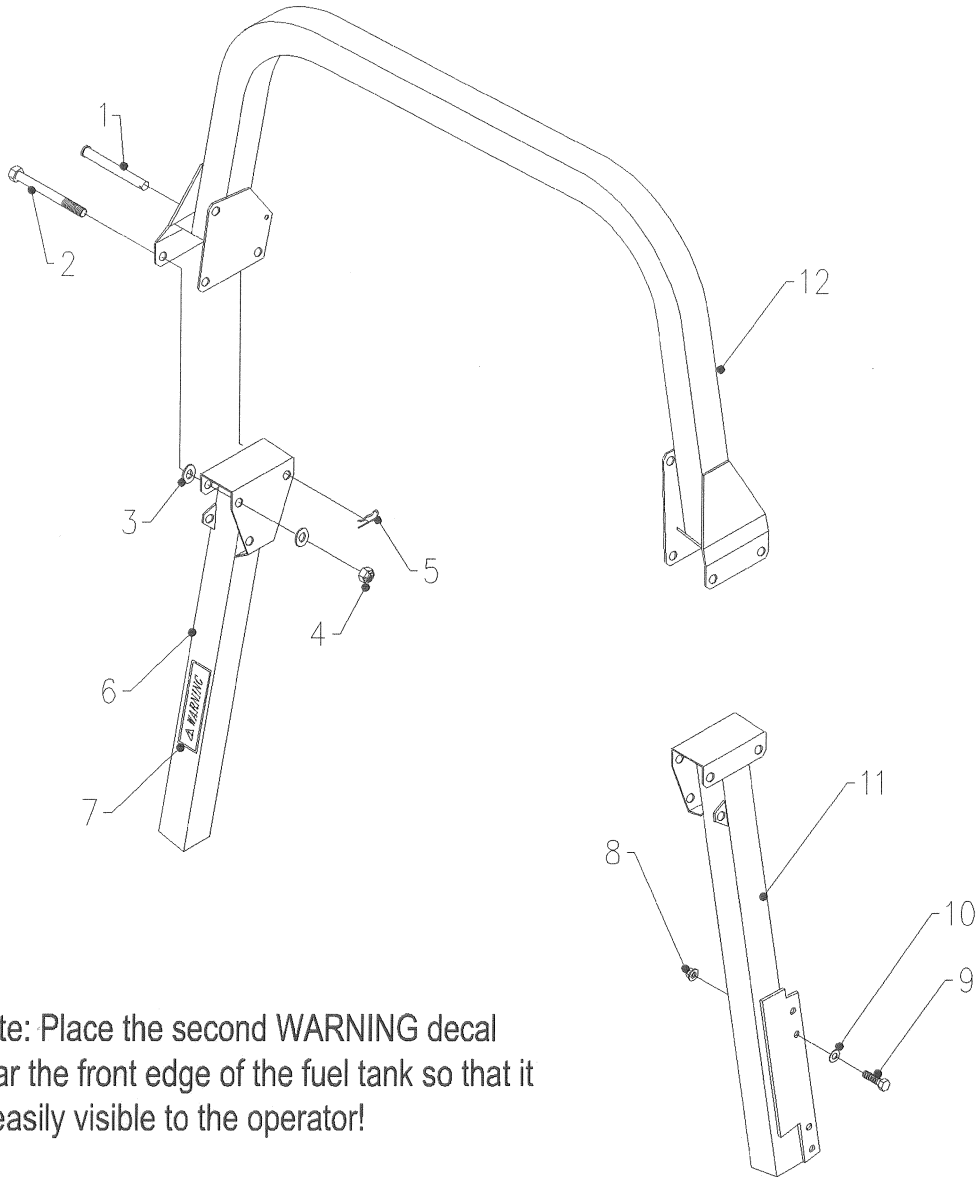
FIGURE 43 FOOT PEDAL

FRONT AUXILIARY

| REF. | PART NO. | DESCRIPTION | QTY. |
|-------------|-------------------------|-------------------------------------------------|------|
| 1 | 99.SF06 | 3/8 USS Flange Nut | 4 |
| 2 | 62.0794. | Foot Pedal | 1 |
| 3 | 23.0107. | Quick Coupler Plug | 2 |
| 4 | 23.0106. | Female Quick Coupler | 2 |
| 5 | 64.0717. | 4 Unit Coupler Bracket. | 1 |
| 6 | 20.0146. | Hyd. Hose - 1/4 x 72 | 2 |
| 7 | 25.6602-6-6-6 | Hyd. Fitting, Tee, Single Swivel - 3/8. | 2 |

PARTS

FIGURE 44
ILLUSTRATED DRAWING
FOLD DOWN ROLL BAR



Note: Place the second WARNING decal near the front edge of the fuel tank so that it is easily visible to the operator!

⚠ WARNING

Improper operation of this machine can cause it to roll over. Use roll bar and seat belt to minimize the possibility of injury or death. For low clearance the roll bar can be folded down.

There is no rollover protection in this position!

USE ROLL BAR IN LOCKED, UPRIGHT POSITION AS MUCH AS POSSIBLE!

Contact dealer or factory if you have any questions or concerns.

00.0154

PARTS

FIGURE 44 FOLD DOWN ROLL BAR

| REF. | PART NO. | DESCRIPTION | QTY. |
|--------------|---------------------|--------------------------------|------|
| 1 | 03.0830 | 1/2 x 4 Clevis Pin | 2 |
| 2 | 90.0832 | 1/2 x 4 USS Bolt | 2 |
| 3 | 95.08 | 1/2 SAE Flat Washer | 4 |
| 4 | 99.A08 | 1/2 USS Locknut | 2 |
| 5 | 02.HP0416 | 1/8 x 2 Hairpin | 2 |
| 6 | 62.0849 | Left Roll Bar Leg | 1 |
| 7 | 00.0154 | Warning Decal | 2 |
| 8 | 99.SF06 | 3/8 USS Flange Nut | 8 |
| 9 | 90.0606 | 3/8 x 3/4 USS Bolt | 8 |
| 10 | 95.06 | 3/8 SAE Flat Washer | 8 |
| 11 | 62.0848 | Right Roll Bar Leg | 1 |
| 12 | 62.0847 | Top Roll Bar Section | 1 |



LIMITED WARRANTY – VENTRAC TURF EQUIPMENT

Venture Products, Inc. (shall be referred to as *V.P.I.*) warrants on the terms and conditions herein, that it will repair, replace, or adjust any part manufactured by *Venture Products Inc.* and found by *Venture Products Inc* to be defective in material and / or workmanship.

Effective September 1st 2004, *Ventrac* warranty on Tractors & Attachments for **Residential use only** is limited to **Three (3) years** from original purchase date. *Ventrac* Tractors & Attachments used **Commercially or for any income producing purpose** is limited to **Two (2) years** from original purchase date. *Ventrac* ET200 turbine blower (turbine only) is limited to **Two (2) years** from original purchase date. *Ventrac* HG150 generator is limited to **One (1) year** from original purchase date. *Ventrac* Tractors & Attachments used for **Rental** is limited to **180 days** from original purchase date. (NOTE: All accessories such as: 3-point hitch, foot pedal, dual wheel kit, etc. will be covered under the above warranty periods as they would apply provided they are installed by an Authorized *Ventrac* Dealer.) This warranty may be transferred and will carry the remainder of the warranty starting from the Original Purchase/Registration date with the dealership and/or *V.P.I.* In the event that product/s originally registered as **(3) year Residential use** are to be transferred to a commercial user the warranty would change to the remainder of **(2) year Commercial use** starting from the Original Purchase/Registration date with the dealership and/or *V.P.I.*

If this warranty covers a consumer product as defined by the Magnusson-Moss warranty act, no warranties, express or implied, (including, but not limited to, the warranty of merchantability or fitness for a particular purpose) shall extend beyond the applicable time period stated in bold face type above.

If this warranty covers a product used commercially or for any income producing purpose, the foregoing warranties are in lieu of all other warranties and no representations, guarantees or warranties, express or implied, (including, but not limited to, a warranty of merchantability or fitness for a particular purpose), are made by *V.P.I.* in connection with the manufacture or sale of its products.

The engine warranty is covered by its respective engine manufacturer. Please refer to the engine manufacturer's warranty statement that is included in the owner's manual. *V.P.I.* does not handle warranty adjustments on engines. Engine warranties should be referred to the nearest authorized service outlet of the engine manufacturer.

The *Ventrac* turf equipment, including any defective parts, must be returned to an Authorized *Ventrac* Dealer within the warranty period. The warranty shall extend to the cost to repair or replace (as determined by *V.P.I.*) the defective part. **The expense of pickup and delivery of equipment, service call drive time or any transportation expense incurred for warranty repair is the sole responsibility of the owner and is not covered under warranty by *Ventrac* and/or *V.P.I.*** *V.P.I.*'s responsibility in respect to claims is limited to making the required repairs or replacements, and no claim of breach of warranty shall be cause for cancellation or rescission of the contract of sale of any *Ventrac* equipment. Proof of purchase may be required by the dealer to substantiate any warranty claim. Only warranty work performed and submitted by an Authorized *Ventrac* Dealer may be eligible for warranty credit.

This warranty extends only to *Ventrac* turf equipment operated under normal conditions and properly serviced and maintained. The warranty expressly does **NOT** cover: (a) any defects, damage or deterioration due to normal use, wear and tear, or exposure; (b) normal maintenance services, such as cleaning, lubrication, oil change; (c) replacement of service items, such as oil, lubricants, spark plugs, belts, rubber hoses or other items subject to normal service replacement; (d) damage or defects arising out of, or relating to abuse, misuse, neglect, alteration, negligence or accident; (e) repair or replacement arising from



LIMITED WARRANTY – VENTRAC TURF EQUIPMENT

operation of, or use of the turf equipment which is not in accordance with operating instructions as specified in the operator's manual or other operational instructions provided by *V.P.I.*; (f) repair or replacement arising as a result of any operation from Ventrac turf equipment that has been altered or modified so as to, in the determination of *V.P.I.*, adversely affect the operation, performance or durability of the equipment or that has altered, modified or affected the turf equipment so as to change the intended use of the product; (g) repair or replacement necessitated by the use of parts, accessories or supplies, including gasoline, oil or lubricants, incompatible with the turf equipment or other than as recommended in the operator's manual or other operational instructions provided by *V.P.I.*; (h) repairs or replacements resulting from parts or accessories which have adversely affected the operation, performance or durability of the turf equipment; or (i) damage or defects due to or arising out of repair of *Ventrac* turf equipment by person or persons other than an authorized *Ventrac* service dealer or the installation of parts other than genuine *Ventrac* parts or *Ventrac* recommended parts.

The sole liability of *V.P.I.* with respect to this warranty shall be repair and replacement as set forth herein. *V.P.I.* shall have no liability for any other cost, loss, or damage. In particular *V.P.I.* shall have no liability or responsibility for: (i) expenses relating to gasoline, oil, lubricants; (ii) loss, cost or expense relating to transportation or delivery of turf equipment from the location of owner or location where used by owner to or from any Authorized *Ventrac* Dealer; (iii) travel time, overtime, after hours time or other extraordinary repair charges or charge relating to repairs or replacements outside of normal business hours at the place of business of an Authorized *Ventrac* Dealer; (iv) rental of like or similar replacement equipment during the period of any warranty repair or replacement work; (v) any telephone or telegram charges; (vi) loss or damage to person or property other than that covered by the terms of this warranty; (vii) any claims for lost revenue, lost profit or additional cost or expense incurred as a result of a claim of breach of warranty; or (viii) attorney's fees.

The remedies of buyer set forth herein are exclusive and are in lieu of all other remedies. The liability of *V.P.I.*, whether in contract, tort, under any warranty, or otherwise, shall not extend beyond its obligation as set forth herein. *V.P.I.* shall not be liable for cost of removal or installation nor shall *V.P.I.* be responsible for any direct, indirect, special or consequential damages of any nature. In no event shall *V.P.I.* be liable for any sum in excess of the price received for the goods for which liability is claimed.

There are no representations or warranties which have been authorized to the buyer of the turf equipment other than set forth in this warranty. Any and all statements or representations made by any seller of this equipment, including those set forth in any sales literature or made orally by any sales representative, are superseded by the terms of this warranty. Any affirmation of fact or promise made by *V.P.I.* or any of its representatives to the buyer which relates to the goods that are the subject to this warranty shall not be regarded as part of the basis of the bargain and shall not be deemed to create any express warranty that such goods shall conform to the affirmation or promise.

No employee, distributor, or representative is authorized to change the foregoing warranties in any way or grant any other warranty on behalf of *V.P.I.*

Some states do not allow limitations on how long an implied warranty lasts or allow the exclusion on limitation of incidental or consequential damages, so the above limitation or exclusion may not apply to you.

This warranty gives you specific legal rights, and you may also have other rights which vary from state to state.

This warranty applies to all *Ventrac* turf equipment sold in the United States and Canada.

Ventrac Engine & Component Warranties

| VENDOR | VENTRAC PRODUCT | VENDOR WARRANTY | WARRANTY PROCEDURE |
|----------------------------------------------------------------------|------------------------------------------|---------------------------------------------------------------------------------------------------------------------------------|--------------------------------------------------------------------------------|
| Kawasaki (Engines) | 3000 Series 4200, 4100 Series | Two (2) years | Claim processed by a Kawasaki authorized servicing dealer to Kawasaki |
| Vanguard (Engines) | 4200, 4100 Series | Two (2) years 3 rd year on major parts only (See engine owner's manual) | Claim processed by a Vanguard authorized servicing dealer to local distributor |
| Peerless Gear & Machine Division of Tecumseh (Transaxles) | 4200, 4100 Series | Two (2) years for consumer application One (1) year for commercial application | Claim processed by an authorized Tecumseh servicing dealer to Tecumseh |
| Sauer-Danfoss (Hydraulic pumps & motors) | 4200, 4100 Series | Three (3) years for consumer *3 rd year prorated Two (2) year for commercial *2 nd year prorated | Venture Products processes warranty claim |
| Sauer-Danfoss (Steering & Control Valves) | 3000 Series 4200, 4100 Series | Three (3) years for consumer *3 rd year prorated Two (2) year for commercial *2 nd year prorated | Venture Products processes warranty claim |
| Hydro-Gear (Transaxles) | 3000 Series | Two (2) years for consumer application One (1) year for commercial application | Venture Products processes warranty claim |
| Titan Tire | 3000 Series 4200, 4100 Series | Three (3) years; prorated after first year for original owner only | Claims processed by Titan Tire authorized dealer |
| Carlisle Tire | 4200, 4100 Series | Two (2) years for original owner | Claim processed by Carlisle Tire authorized dealer |

*3rd year prorated for consumer application – 50% of parts & labor

*2nd year prorated for commercial application – 50% of parts & labor

Contacts for locating local authorized dealer for the following:

Briggs & Stratton Corp.

PO Box 702
Milwaukee, WI 53201
800-444-7774

Kawasaki Motors Corp.

Grand Rapids, MI 49512
(800) 433-5640

Tecumseh/Peerless Products Corp

Engine and Gear Service Division
Grafton, WI 53024
800-558-5402

Carlisle Tire Corp.

23 Windham Boulevard
Aiken, SC 29805
800-260-7959 Warranty

Titan Tire Corp

2345 E. Market St.
Des Moines, IA 50317
800-872-2327 Warranty