



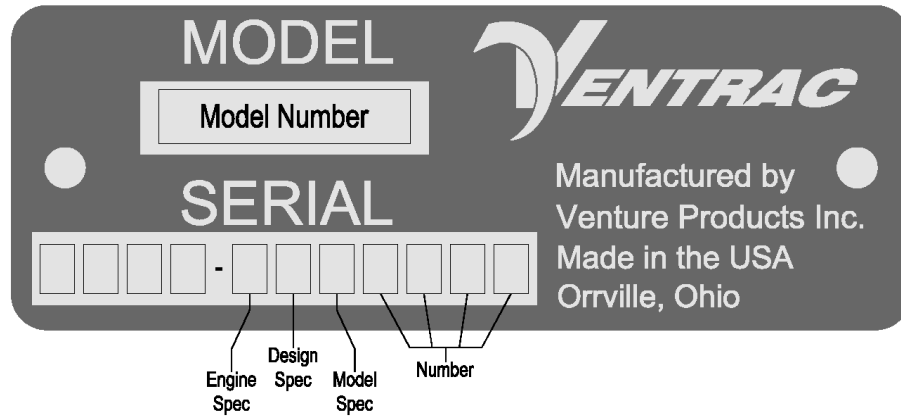
NORTH AMERICAN PARTS MANUAL

Ventrac LE3100



Revised 01/24/20
09.20007 Rev. 08

SERIAL NUMBER DESCRIPTION



ENGINE

L 21 HP VANGUARD GAS

TABLE OF CONTENTS

ELECTRICAL	PAGE 4
WIRING DIAGRAM	4
HYDRAULICS	PAGE 6
HYDRAULIC DIAGRAM.....	6
HYDRAULIC STEERING & FILTER.....	8
HYDRAULIC LIFT & VALVE	10
ENGINE	PAGE 12
ENGINE.....	12
ENGINE MOUNT	14
ENGINE DRIVE	16
FUEL SYSTEM.....	18
AXLES & DRIVES	PAGE 20
FRONT AXLE.....	20
REAR AXLE	22
AXLE MOUNT & TIRES	24
BELT & PULLEY DIAGRAM	26
CENTER SHAFT ASSEMBLY	28
AXLE DRIVE.....	30
PTO DRIVE.....	32
FRAMES & DASH	PAGE 34
REAR FRAME	34
FRONT FRAME	36
FRONT HITCH.....	38
HIGHBACK SEAT	40
DASH.....	42
STEERING COLUMN	44
HOOD.....	46
CONTROLS & LINKAGE	PAGE 48
SDLA CONTROLS	48
FOOT PEDAL	50
PARK BRAKE	52
OPTIONS	PAGE 54
SUSPENSION SEAT.....	54
WEIGHT TRANSFER.....	56
STEERING COLUMN TILT	58
12V SWITCH KIT, REAR WEIGHT BRACKET KIT.....	60
ROLL CAGE KIT # 70.3015.....	62

ELECTRICAL

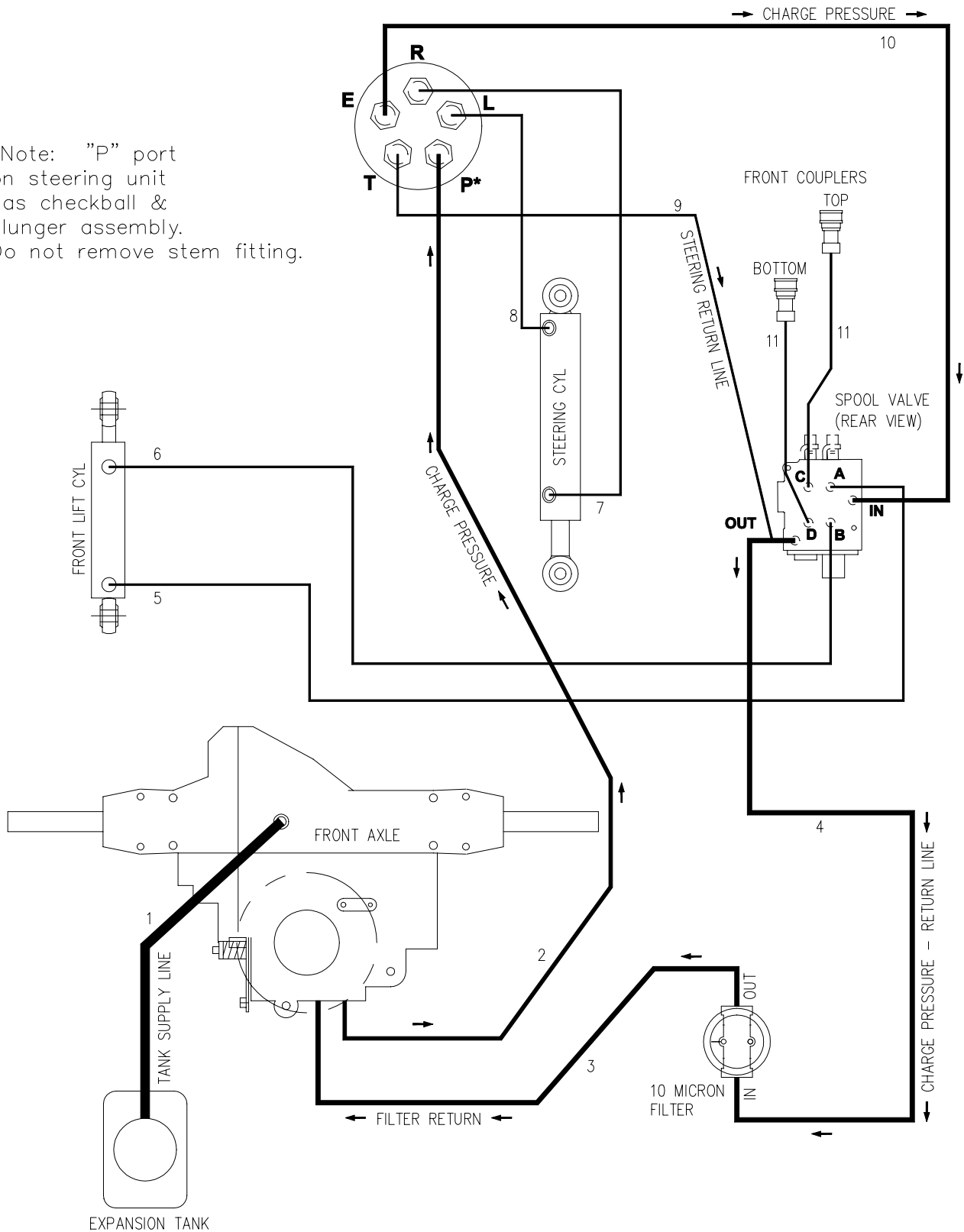
WIRING DIAGRAM

REF.	PART NO.	DESCRIPTION	QTY.
1	32.0082	.HARNESS, WIRE - LE3100	1
2	35.0104	.GAUGE, HR/TACH ROUND DIGITAL (Serial # 1001-1056)	1
2	35.0111	.GAUGE, HR/TACH ROUND DIGITAL (Serial # 1057-)	1
	35.0113	.SENDING UNIT, TACHOMETER 99" (Serial # 1057-)	1
3	33.0031	.LIGHT, RED	1
4	35.0101	.GAUGE, VOLTMETER 12 VOLT	1
5	13.690233	.SWITCH, OIL PRESSURE	1
6	33.0030	.BATTERY, 450 CCA	1
7	32.0081	.CABLE, ASM POS BATTERY 43"	1
8	32.0065	.CABLE, ASM NEG BATTERY 19" 4GA	1
9	30.0197	.FUSE, 30 AMP ATC BLADE - GREEN	1
10	13.0078	.SWITCH, IGNITION DELTA	1
11	30.0185	.FUSE PANEL, 8 CIRCUIT ATC BLADE	1
12	35.0103	.RELAY, 50 AMP 5 POLE	3
13	31.0036	.SWITCH, CONTOUR ON-OFF DPST	1
14	33.0043	.LIGHT, HEAD 12V 55W HALOGEN	1
15	33.0045	.LIGHT, SEALED MARKER RED	2
16	31.0044	.SWITCH, PUSH BUTTON - NEUTRAL	1
17	31.0043	.SWITCH, PTO - PUSH/PULL	1
18	31.0033	.SWITCH, SEAT 2" ROUND GRAY	1
19	37.0048	.CLUTCH/BRAKE, ELECTRIC OGURA	1
20	13.808726	.STARTER	1
21	13.691185	.REGULATOR	1
22	32.0084	.HARNESS, WIRE - LE31/3200 12 V	1
23	30.0219	.SOCKET, TRAILER 4-PIN FEMALE	1
24	31.0034	.SWITCH, TOGGLE ON/OFF SPST	1
25	31.0041	.SWITCH, TOGGLE DPDT MOOFFMO	1
26	30.0221	.OUTLET, 12 VOLT ALL WEATHER	1

HYDRAULICS

ILLUSTRATED DRAWING HYDRAULIC DIAGRAM TOP VIEW SHOWN UNLESS NOTED

*Note: "P" port on steering unit has checkball & plunger assembly. Do not remove stem fitting.



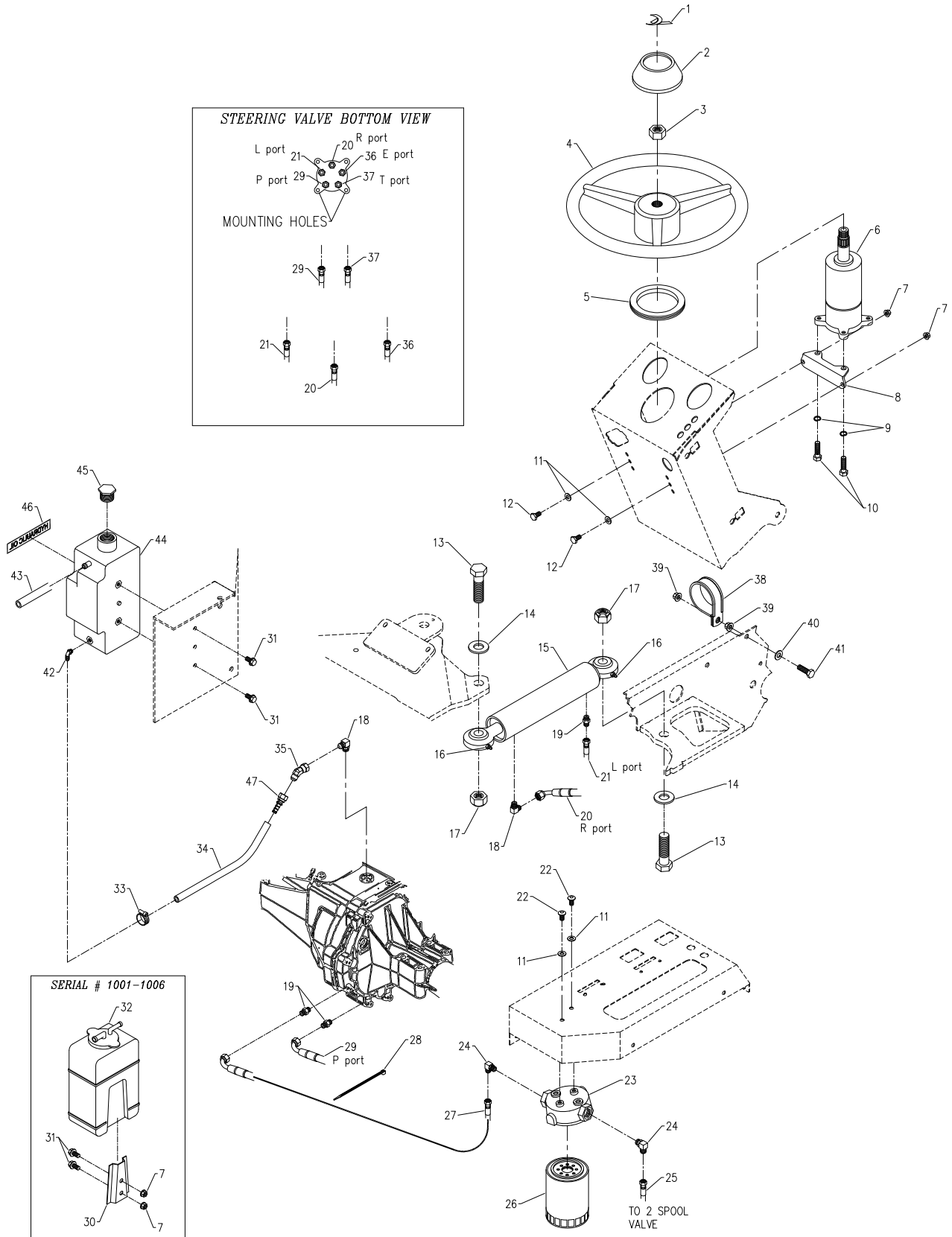
HYDRAULICS

HYDRAULIC DIAGRAM

REF.	PART NO.	DESCRIPTION	QTY.
1	27.P06-50IN	.HOSE, PUSHLOCK X 3/8 /FT X 50"	1
2	20.0242	.HOSE, ASM C 3/8 X 61" - 2500	1
3	20.0245	.HOSE, ASM C 3/8 X 29" - 2500	1
4	20.0244	.HOSE, ASM C 3/8 X 15" - 2500	1
5	20.0248	.HOSE, ASM C 1/4 X 27" - 2750	1
6	20.0212	.HOSE, ASM C 1/4 X 23"-2750	1
7	20.0247	.HOSE, ASM C 1/4 X 41" - 2750	1
8	20.0246	.HOSE, ASM C 1/4 X 31" - 2750	1
9	20.0213	.HOSE, ASM C 1/4 X 46"-2750	1
10	20.0243	.HOSE, ASM C 3/8 X 50" - 2500	1
11	20.0249	.HOSE, ASM C 1/4 X 13" - 2750	2

HYDRAULICS

ILLUSTRATED DRAWING HYDRAULIC STEERING & FILTER



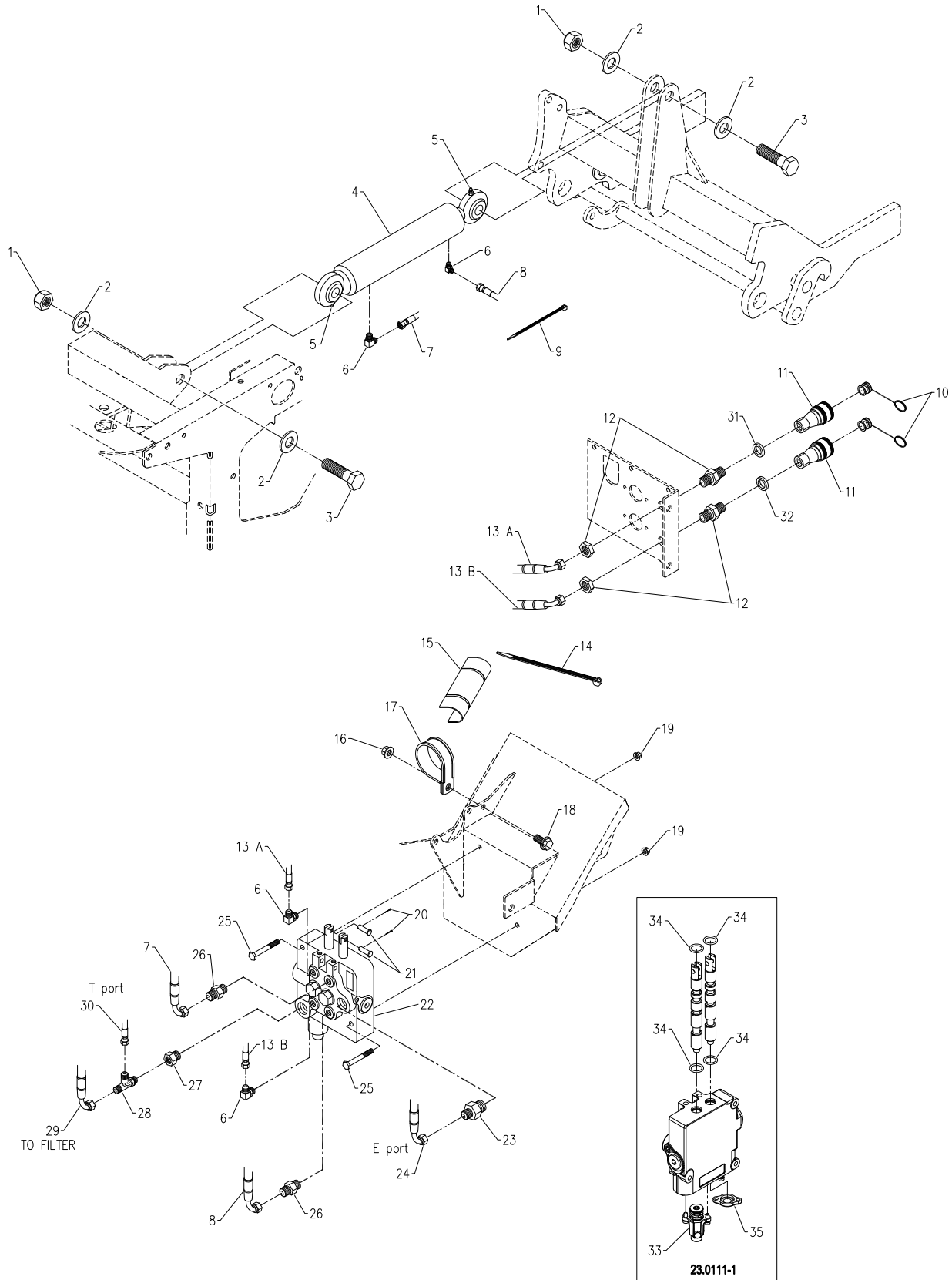
HYDRAULICS

HYDRAULIC STEERING & FILTER

REF.	PART NO.	DESCRIPTION	QTY.
1	00.0207	.DECAL, VENTRAC DOME	1
2	47.0118	.CAP, STEERING WHEEL	1
3	99.E0011	.NUT, JAM 5/8 SAE	1
4	47.0117	.STEERING WHEEL, 16MM X 40T	1
5	05.0080	.GROMMET, 2-3/4ID,3-5/8OD,5/16T	1
6	23.0113	.VALVE, STEERING-DANFOSS 100CC	1
6	89.0095	.KIT, SEAL 23.0113 STEER VALVE	1
7	99.SF04	.NUT, SF 1/4-20 USS	4
8	64.1262	.BRACKET, STEERING VALVE MOUNT	1
9	96.05	.WASHER, LOCK 5/16	2
10	99.M0009	.BOLT, M8 X 1.25 P X 25 MM LONG	2
11	95.04	.WASHER, FLAT 1/4 SAE	4
12	90.0404	.BOLT, 1/4-20 USS X 1/2	2
13	90.1018	.BOLT, 5/8-11 USS X 2 1/4	2
14	95.10	.WASHER, FLAT 5/8 SAE	2
15	23.0129	.CYLINDER, 1-1/2" X 8" STEERING	1
16	29.GF0001	.GREASE FTG, 1/4 SAE ST	2
17	99.A10	.LOCKNUT, STOVER 5/8-11 USS	2
18	25.6801-06-06	.FITTING, 90 ME 3/8 X 3/8	2
19	25.6400-06-06	.FITTING, M CONN 3/8 X 3/8	3
20	20.0247	.HOSE, ASM C 1/4 X 41 - 2750	1
21	20.0246	.HOSE, ASM C 1/4 X 31 - 2750	1
22	99.K0063	.BOLT, BUT HD SOCK SS 1/4 X 1/2	2
23	21.0115	.FILTER, HEAD 3/4" PORT SAE-8	1
24	25.6801-06-08	.FITTING, 90 ME 3/8 X 1/2	2
25	20.0244	.HOSE, ASM C 3/8 X 15 - 2500	1
26	21.0078	.FILTER, HYDRAULIC 10 MICRON	1
27	20.0245	.HOSE, ASM C 3/8 X 29 - 2500	1
28	30.0037	.TYTON TIE, #50 .18 X 8 BLACK	1
29	20.0242	.HOSE, ASM C 3/8 X 61 - 2500	1
30	64.0923	.MOUNT, WATER BOTTLE KT (Serial # 1001-1006)	1
31	99.SF0404	.BOLT, SF 1/4-20 X 1/2	2
32	47.0187	.TANK, PLASTIC COOLANT/HYD OIL (Serial # 1001-1006)	1
33	11.0038	.CLAMP, HOSE S/S 7/32 - 5/8	1
34	27.P06-50IN	.HOSE, PUSHLOCK X 3/8 /FT X 50"	1
35	25.6502-06-06	.FITTING, 45 MFE 3/8 X 3/8	1
36	20.0243	.HOSE, ASM C 3/8 X 50 - 2500	1
37	20.0213	.HOSE, ASM C 1/4 X 46"-2750	1
38	11.0065	.CLAMP, CUSHIONED METAL 2"	1
39	99.SF05	.NUT, SF 5/16-18 USS	2
40	95.05	.WASHER, FLAT 5/16 SAE	1
41	90.0508	.BOLT, 5/16-18 USS X 1	1
42	29.BF06MP0290-1	.FITTING, B. 3/8 BRB 1/8 NPT 90 (Serial # 1007 -)	1
43	27.T06-2-20IN	.TUBE, PVC CLEAR 3/8 OD X 1/4 ID X 20" (Serial # 1007 -)	1
44	47.0258	.TANK, COOLANT/HYDRAULIC OIL (Serial # 1007 -)	1
45	05.0108	.PLUG, 3/4" NPT M, WHITE (Serial # 1007 -)	1
46	00.0148	.DECAL, HYD. OIL 3-7/16 X 3/4 (Serial # 1007 -)	1
47	27.P06FS06	.HOSE END, #6 F JIC 3/8 P.LOCK	1

HYDRAULICS

ILLUSTRATED DRAWING HYDRAULIC LIFT & VALVE



HYDRAULICS

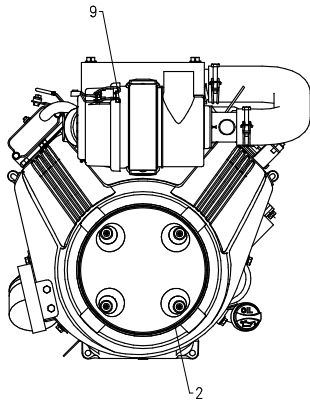
HYDRAULIC LIFT & VALVE

REF.	PART NO.	DESCRIPTION	QTY.
1	99.A10	.LOCKNUT, STOVER 5/8-11 USS	2
2	95.10	.WASHER, FLAT 5/8 SAE	4
3	90.1018	.BOLT, 5/8-11 USS X 2 1/4	2
4	23.0130	.CYLINDER, 1-1/2" X 5"	1
5	29.GF0001	.GREASE FTG, 1/4 SAE ST	2
6	25.6801-06-06	.FITTING, 90 ME 3/8 X 3/8	4
7	20.0248	.HOSE, ASM C 1/4 X 27 - 2750	1
8	20.0212	.HOSE, ASM C 1/4 X 23"-2750	1
9	30.0037	.TYTON TIE, #50 .18 X 8 BLACK	1
10	23.0126	.PLUG, NYLON FOR 23.0106	2
11	23.0106	.COUPLER, HYD. QUICK FEMALE 1/4	2
12	25.2706-04-06LN	.FITTING, BULKHEAD W/LOCKNUT	2
13	20.0149	.HOSE, ASM X 17-1/2" 1/4-1W	2
14	30.0204	.TYTON TIE, #50 .190 X 12"	3
15	44.0224	.SLEEVE, HOSE PROTECTOR 6"	1
16	99.SF06	.NUT, SF 3/8-16 USS	1
17	11.0065	.CLAMP, CUSHIONED METAL 2"	1
18	99.SF0606	.BOLT, SF 3/8-16 USS X 3/4	1
19	99.SF04	.NUT, SF 1/4-20 USS	2
20	02.CP0204	.COTTER PIN, 1/16 X 1/2	2
21	03.0406	.CLEVIS PIN, 1/4 X 3/4	2
22	23.0111-1*	.VALVE, HY 2 SPL W/LH FLT,RH SP	1
23	25.6400-06-08	.FITTING, M CONN 3/8 X 1/2	1
24	20.0243	.HOSE, ASM C 3/8 X 50 - 2500	1
25	90.0416	.BOLT, 1/4-20 USS X 2	2
26	25.6400-06-06	.FITTING, M CONN 3/8 X 3/8	2
27	25.6410-08-06	.FITTING, M/F O-RING 1/2 X 3/8	1
28	25.6804-6-6-6	.FITTING, M TEE 3/8 X 3/8 X 3/8	1
29	20.0244	.HOSE, ASM C 3/8 X 15 - 2500	1
30	20.0213	.HOSE, ASM C 1/4 X 46"-2750	1
31	05.0117	.WASHER, .544ID X .817 X.14 YEL	1
32	05.0116	.WASHER, .544ID X .817 X.14 RED	1
33	23.0111-7	.KIT, SPOOL FLOAT HYD. VALVE	1
34	26.0027	.O-RING, 5/8ID X 13/16OD X 3/32	4
35	23.0111-8	.CAP, VALVE	1

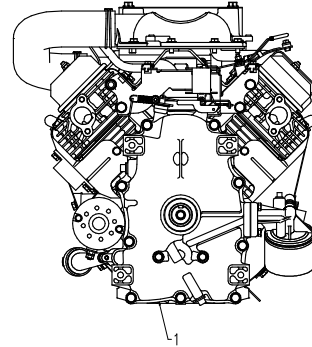
ENGINE

ILLUSTRATED DRAWING ENGINE

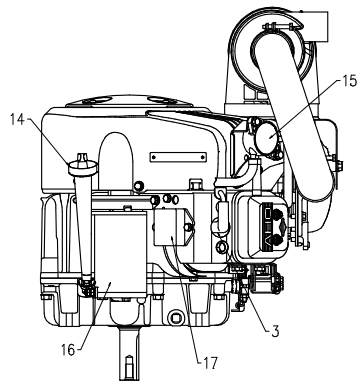
TOP VIEW



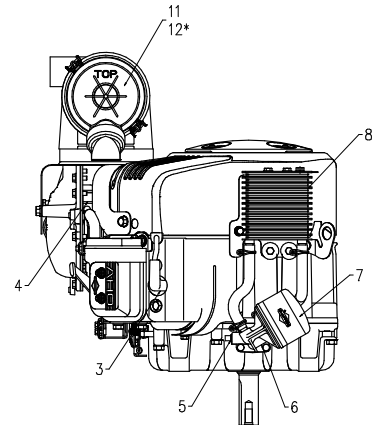
BOTTOM VIEW



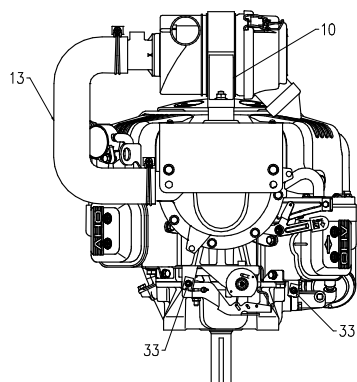
LEFT VIEW



RIGHT VIEW



REAR VIEW



ENGINE

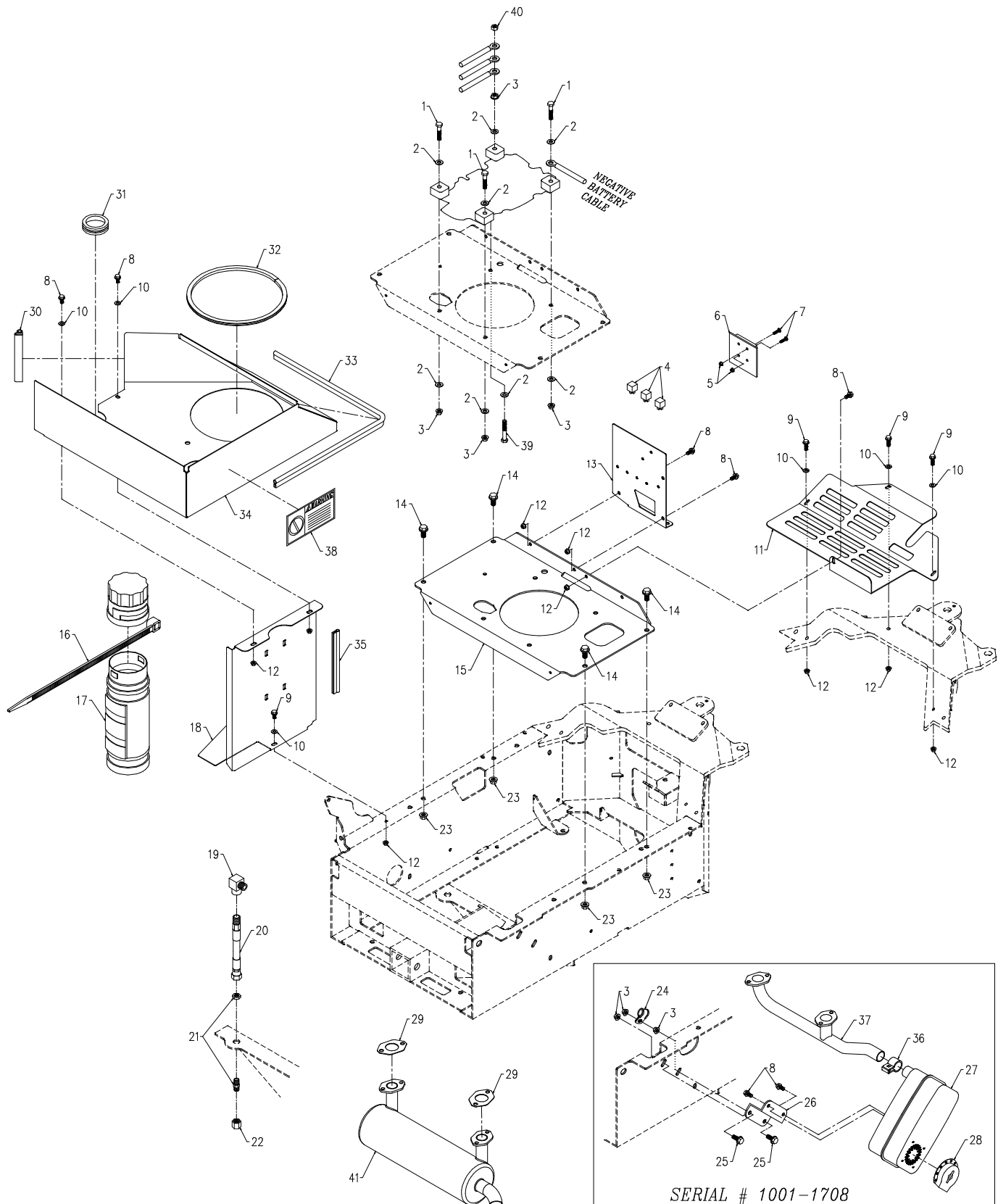
ENGINE

REF.	PART NO.	DESCRIPTION	QTY.
1	13.0212	.ENGINE, VANGUARD 21HP GAS.	1
2	13.841440	.SCREEN, ROTATING.	1
3	13.491055S	.PLUG, SPARK.	2
4	13.841412	.CARBURETOR.	1
5	13.690233	.SWITCH, OIL PRESSURE NC	1
6	13.808537	.ADAPTER, OIL FILTER	1
7	13.842921	.FILTER, OIL.	1
8	13.808657	.COOLER, OIL	1
9	13.0228	.AIR CLEANER, COMPLETE ASM.	1
10	13.0219	.CLAMP, AIR FILTER.	1
11	13.0226	.FILTER, AIR OUTER ELEMENT	1
12	13.0227*	.FILTER, AIR - INNER ELEMENT.	1
13	13.842445	.HOSE, AIR INTAKE	1
14	13.692101	.DIPSTICK, OIL	1
15	13.808656	.PUMP, MECHANICAL	1
16	13.808726	.STARTER	1
17	13.841170	.REGULATOR	1
18	13.492341	.ARMATURE.	1
19	13.841178	.ALTERNATOR, 20/50 AMP.	1
20	13.692069	.SPRING, GOVERNOR IDLE	1
21	13.692071	.SPRING, GOVERNOR.	1
22	13.825418	.STARTER, SOLENOID.	1
23	13.805101S	.SEAL, OIL MAGNETO SIDE	1
24	13.805049S	.SEAL, OIL PTO SIDE.	1
25	13.842261	.KIT, CARBURETOR	1
26	13.842658	.GASKET SET	1
27	13.842622	.GASKET, HEAD	1
28	13.842659	.GASKET, VALVE SET.	1
29	13.806039S	.GASKET, VALVE COVER.	1
30	13.842589	.GASKET, CRANKCASE.	1
31	13.808648	.COVER, ROCKER	1
32	13.692319	.DIODE HARNESS	1
33	45.0050	.CLAMP, CABLE CONDUIT (Serial # 2231-).	2

* Optional inner element.

ENGINE

ILLUSTRATED DRAWING ENGINE MOUNT



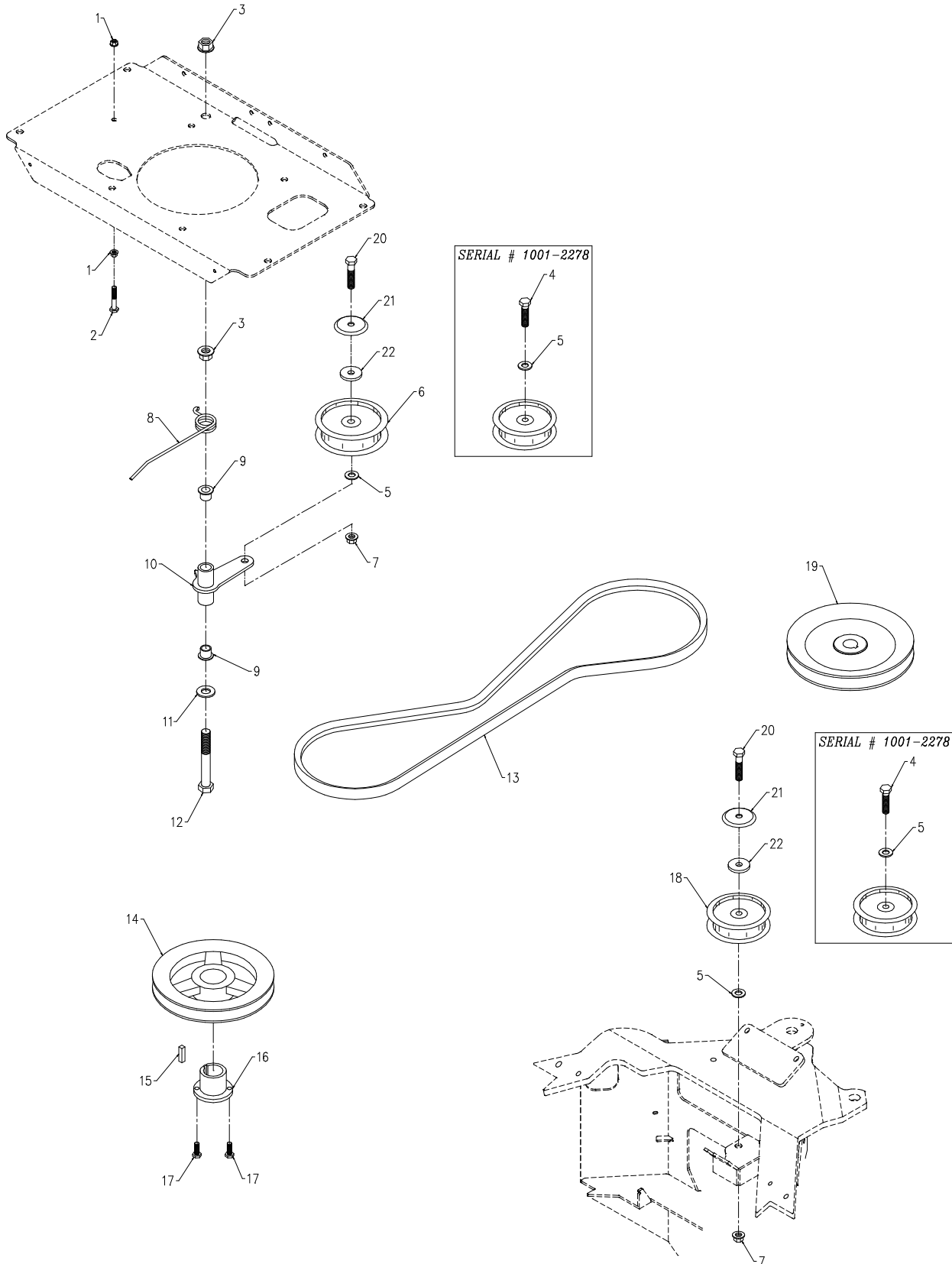
ENGINE

ENGINE MOUNT

REF.	PART NO.	DESCRIPTION	QTY.
1	90.0512	.BOLT, 5/16-18 USS X 1 1/2	3
2	95.05	.WASHER, FLAT 5/16 SAE	8
3	99.SF05	.NUT, SF 5/16-18 USS	6
4	35.0103	.RELAY, 50 AMP 5 POLE	3
5	99.E0035	.NUT, SF #10-32	2
6	30.0185	.FUSE PANEL, 8 CIRCUIT ATC BLAD	1
7	99.K0059	.MACHINE SCREW, #10-32 X 1	2
8	99.SF0404	.BOLT, SF 1/4-20 X 1/2	7
9	99.SF0406	.BOLT, SF 1/4-20 X 3/4	4
10	95.04	.WASHER, FLAT 1/4 SAE	6
11	62.1276	.SHIELD, ENGINE DRIVE BELT	1
12	99.SF04	.NUT, SF 1/4-20 USS	8
13	62.1268	.PANEL, ELECTRICAL	1
14	99.SF0606	.BOLT, SF 3/8-16 USS X 3/4	4
15	62.1267	.MOUNT, ENGINE PLATE	1
16	30.0103	.TYTON TIE, #250 .5 X 20 BLACK	2
17	47.0243	.TUBE, MANUAL HOLDER - BLACK	1
18	60.1007	.SHIELD, AIR INTAKE - SIDE	1
19	25.5502-06-04	.FITTING, 90 MFE 3/8 X 1/4	1
20	22.0043	.HOSE, ASM X 10" 3/8 PLOCK	1
21	25.2700-06-06LN	.FITTING, BULKHEAD 3/8 W/LOCNUT	1
22	25.304-C-06	.FITTING, CAP 3/8 #6 JIC	1
23	99.SF06	.NUT, SF 3/8-16 USS	4
24	11.0046	.CLAMP, CUSHIONED METAL 1/2" (Serial # 1001-1708)	1
25	99.SF0506	.BOLT, SF 5/16-18 USS X 3/4	2
26	64.1294	.MOUNT, MUFFLER (Serial # 1001-1708)	1
27	13.498984S	.MUFFLER, EXHAUST FOR 13.0212 (Serial # 1001-1708)	1
28	13.0222	.DEFLECTOR, EXHAUST # 13.0213 (Serial # 1001-1708)	1
29	13.806425	.GASKET, EXHAUST	2
30	06.0049-5.5IN	.TRIM, TRIM SEAL W/BULB X 5-1/2"	1
31	05.0073	.GROMMET, 2 ID, 2-3/4 OD 9/16 T	1
32	06.0049-27IN	.TRIM, TRIM SEAL W/BULB X 27"	1
33	06.0043-52.25IN	.TRIM, TRIM SEAL W/BULB X 52-1/4"	1
34	60.1006	.SHIELD, AIR INTAKE - TOP	1
35	06.0043-12.75IN	.TRIM, TRIM SEAL W/BULB X 12-3/4"	1
36	13.691956	.CLAMP, MUFFLER (Serial # 1001-1708)	1
37	13.808916	.MANIFOLD, EXHASUT PIPE (Serial # 1001-1708)	1
38	00.0124	.DECAL, WARNING BATTERY - GASES (Serial # 1001-2278)	1
39	90.0516	.BOLT, 5/16-18 USS X 2	1
40	92.05	.NUT, 5/16-18 USS	1
41	13.0236	.MUFFLER, VANGUARD 21HP (Serial # 1709-)	1

ENGINE

ILLUSTRATED DRAWING ENGINE DRIVE



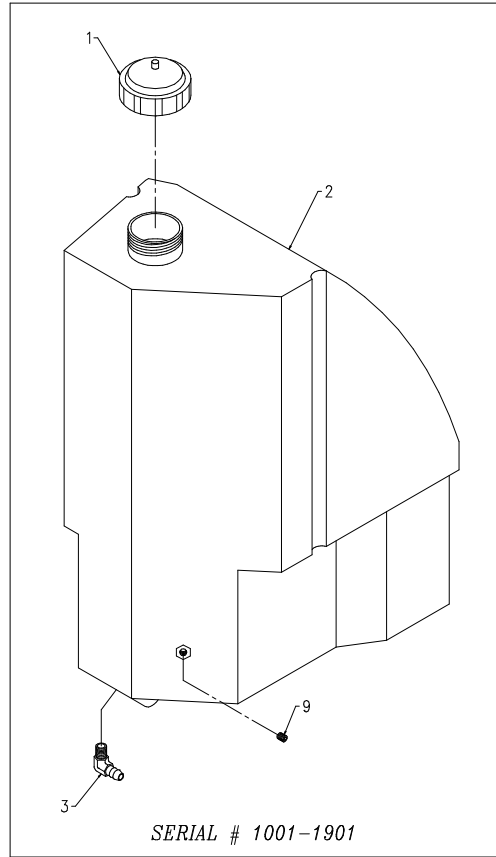
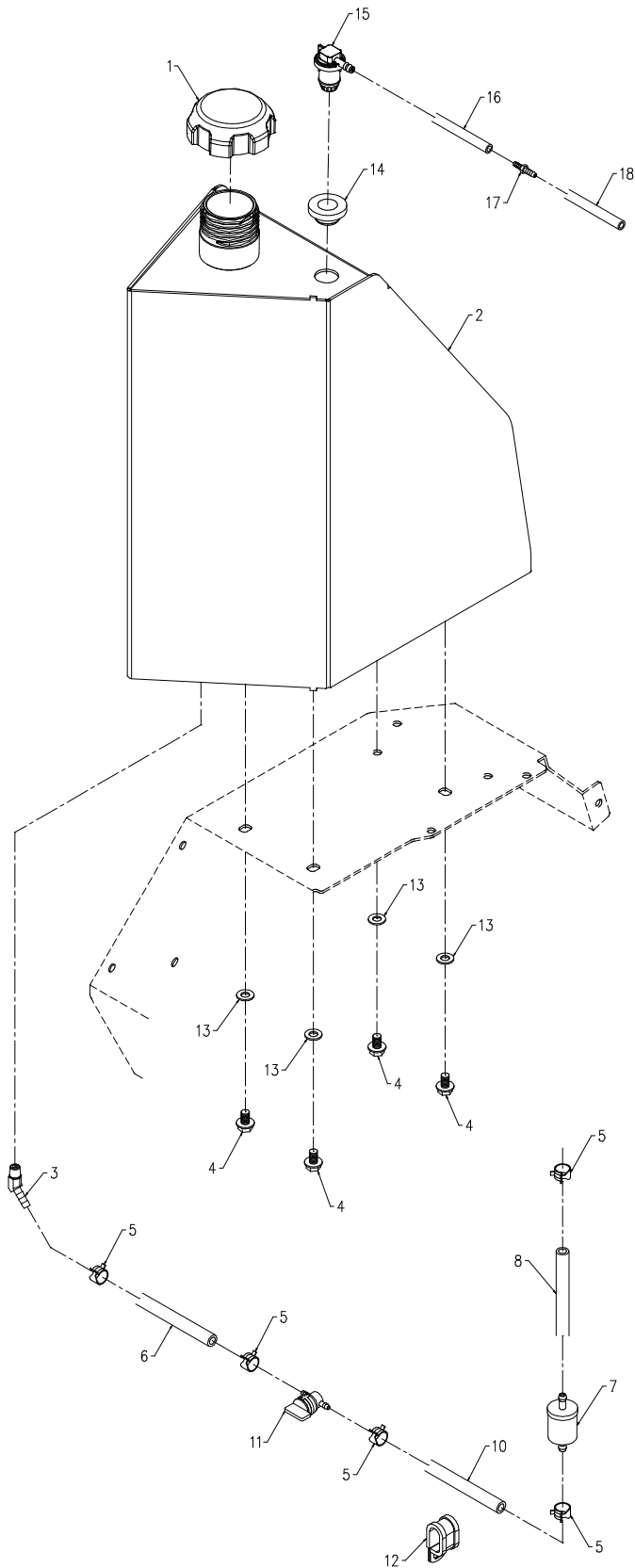
ENGINE

ENGINE DRIVE

REF.	PART NO.	DESCRIPTION	QTY.
1	99.SF04	.NUT, SF 1/4-20 USS	2
2	90.0412	.BOLT, 1/4-20 USS X 1 1/2	1
3	99.SF08	.NUT, SF 1/2-13 USS	2
4	90.0612	.BOLT, 3/8-16 USS X 1 1/2 (Serial # 1001-2278)	2
5	95.06	.WASHER, FLAT 3/8 SAE	4
6	83.0037	.PULLEY, IDLER FLAT 4" X 3/8	1
7	99.SF06	.NUT, SF 3/8-16 USS	2
8	41.0084	.SPRING, TORSION LH 1-3/16 IDX7	1
9	85.B0027	.BUSHING, 1/2 ID X 5/8 OD X 5/8	2
10	40.0347	.IDLER ARM, DRIVE BELT ENGINE	1
11	95.08	.WASHER, FLAT 1/2 SAE	1
12	90.0830	.BOLT, 1/2-13 USS X 3-3/4	1
13	81.B065	.BELT, B65	1
14	83.BK70H	.PULLEY, 7" H-BUSH	1
15	85.K0408	.KEY, 1/4 X 1	1
16	83.H18	.BUSHING, 1 1/8" H	1
17	90.0406	.BOLT, 1/4-20 USS X 3/4	2
18	83.0013	.PULLEY, IDLER FLAT 3/8 X 3 1/2	1
19	83.0052	.PULLEY, 7-13/16 25 MM STR BORE	1
20	90.0614	.BOLT, 3/8-16 USS X 1 3/4 (Serial # 2279-)	2
21	60.1056	.COVER, PULLEY (Serial # 2279-)	2
22	99.G0014	.WASHER, 3/8 USS FW .165 THK (Serial # 2279-)	2

ENGINE

ILLUSTRATED DRAWING FUEL SYSTEM



ENGINE

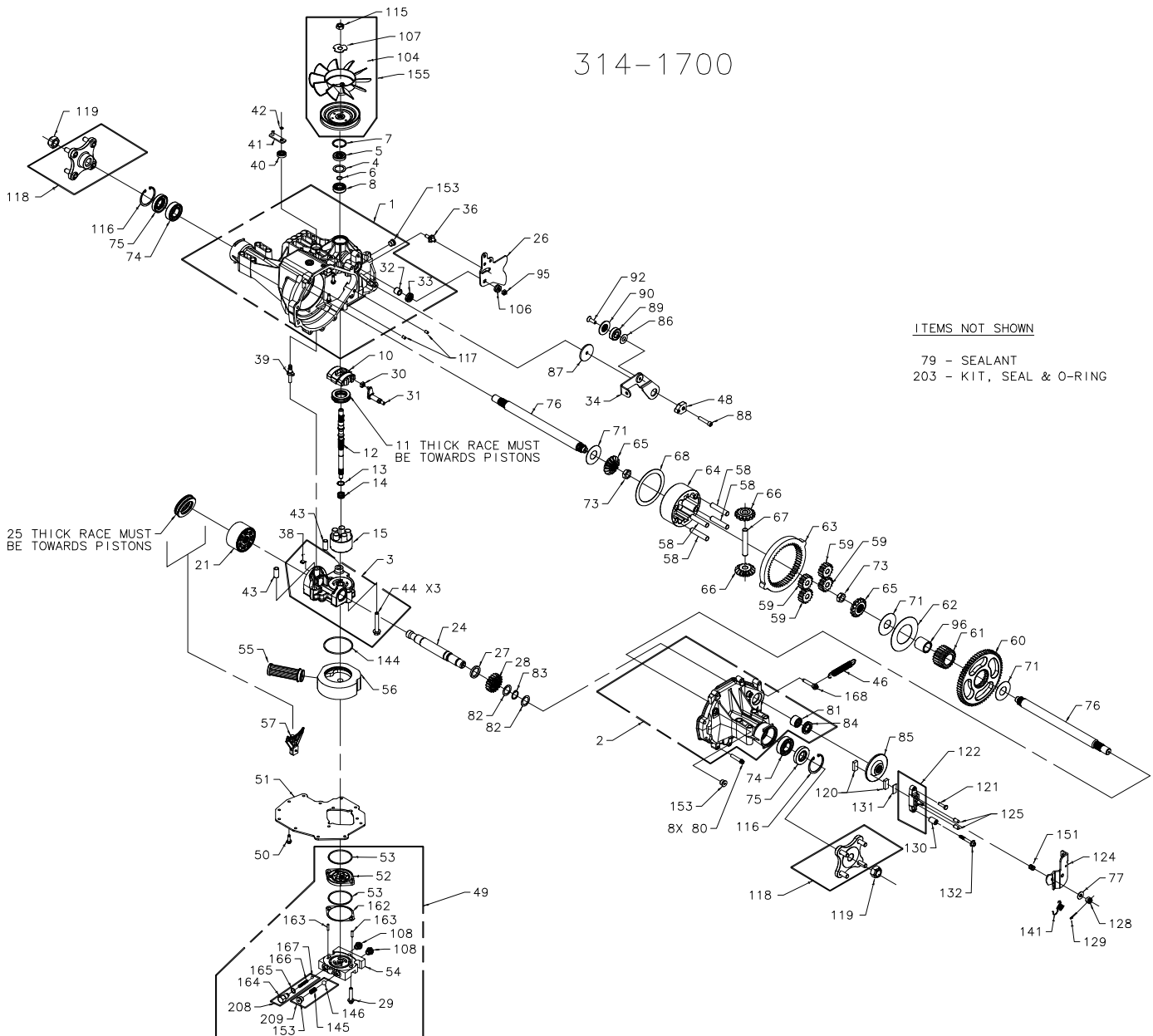
FUEL SYSTEM

REF.	PART NO.	DESCRIPTION	QTY.
1	47.0148	CAP, GAS 2-1/4" HOODED VENT (Serial # 1001-1901)	1
1	47.0310	CAP, 2-1/4" UNVENTED GAS (Serial # 1902-)	1
2	47.0266	TANK, FUEL 6 GAL LE31/3200 (Serial # 1001-1901)	1
2	47.0303	TANK, FUEL STEEL LE3100 (Serial # 1902-)	1
3	29.BF04MP0290-1	FITTING B. 1/4 BRB 1/8 NPT 90 (Serial # 1001-1901)	1
3	29.BF04MP0245-1	FITTING, 1/4 BARB X 1/8 MP 45 (Serial # 1902-)	1
4	99.SF0504	BOLT, SF 5/16-18USS X 1/2	4
5	11.0049	CLAMP, HOSE-BAND 1/2 OD HOSE	5
6	27.F04-1-24IN.	HOSE, FUEL LINE 1/4" LOW PERM X 24" (Serial # 1001-1042)	1
6	27.F04-1-20IN.	HOSE, FUEL LINE 1/4" LOW PERM X 20" (Serial # 1043 -)	1
7	13.691035	FILTER, FUEL	1
8	27.F04-1-6IN.	HOSE, FUEL LINE 1/4" LOW PERM X 6"	1
9	29.P02-1	PIPE, PLUG 1/8 HEX SOCKET ZP (Serial # 1001-1901)	1
10	27.F04-1-4IN.	HOSE, FUEL LINE 1/4" LOW PERM X 4" (Serial # 1043 -)	1
11	47.0265	VALVE, FUEL SHUT-OFF (Serial # 1043 -)	1
12	11.0046	CLAMP, CUSHIONED METAL 1/2"	1
13	95.05	WASHER, FLAT 5/16 SAE (Serial # 1902-)	4
14	05.0128	GROMMET, FOR 29.0094 (Serial # 1902-)	1
15	29.0094	VENT, FUEL TANK BREATHER (Serial # 1902-)	1
16	27.F03-14IN	HOSE, FUEL LINE X 3/16 X 14" (Serial # 1902-)	1
17	29.BF03BF03	FITTING, 3/16 BARB COUPLING (Serial # 1902-)	1
18	27.F03-10IN	HOSE, FUEL LINE X 3/16 X 10" (Serial # 1902-)	1

AXLES & DRIVES

ILLUSTRATED DRAWING FRONT AXLE

314-1700



AXLES & DRIVES

FRONT AXLE

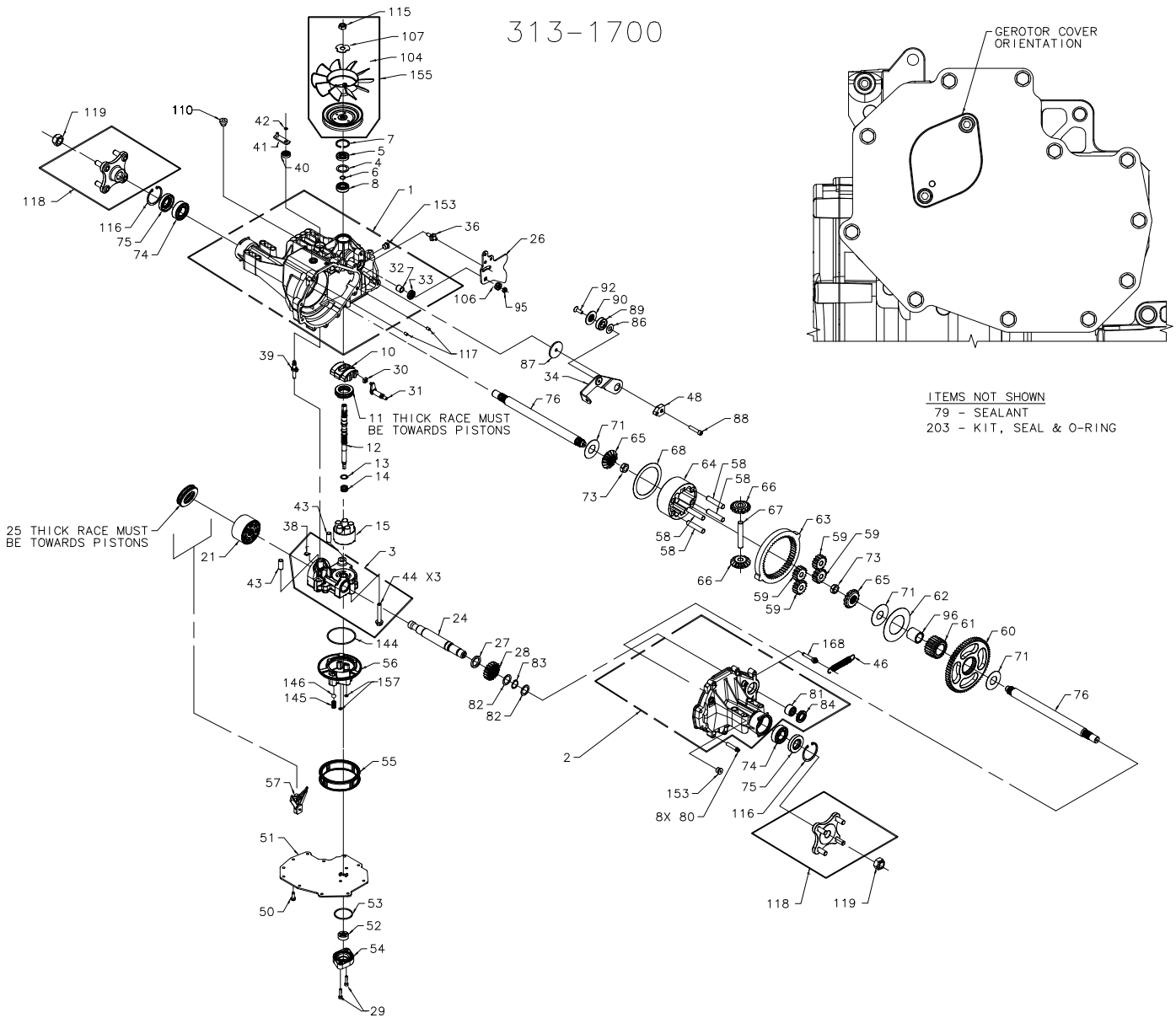
REF.	PART NO.	DESCRIPTION	QTY.
4	51.0079	.SPACER, .98 X 1.37 X .04	1
6	04.0038	.RING SET, 59 EXT WIRE	1
12	51.0077	.SHAFT, INPUT AUX	1
13	51.0078	.WASHER, THRUST .59 X .79 X .04	1
38	51.0035	.PLATE, BYPASS	1
41	51.0036	.ARM, BYPASS	1
44	51.0037	.SCREW, 3/8-24 X 2.5	3
49	51.0054	.KIT, MANIFOLD AUXILIARY	1
51	51.0080	.PLATE, AUX COVER	1
53	26.0022	.O-RING, .103 X 2.425	2
55	51.0057	.FILTER, FRONT TRANSAXLE LT3000	1
56	51.0083	.MANIFOLD, CHARGE	1
74	55.0056	.BEARING, 1" X 52MM X 15MM	2
75	89.0068	.SEAL, LIP 25MM X 52MM X 10MM	2
76	51.0039	.SHAFT, AXLE	2
79	51.0040	.SEALANT	1
80	51.0041	.SCREW, TORX HEAD 5/16-18	8
84	89.0070	.SEAL, LIP .875 X 1.38 X .25	1
85	53.0147	.DISC, BRAKE	1
104	51.0043	.FAN (Serial # 1001-1924)	1
104	51.0066	.FAN, LH TRANSAXLES (Serial # 1925-)	1
118	51.0046	.HUB ASSEMBLY	2
119	99.A12NF	.LOCKNUT, STOVER 3/4-16 SAE	2
120	53.0145	.PAD, BRAKE DISC	2
131	53.0146	.PLATE, BRAKE DISC PAD	1
153	51.0068	.PLUG, 9/16-18 METAL	3
155	51.0048	.KIT, FAN/PULLEY ASSEMBLY (Serial # 1001-1924)	1
155	51.0067	.KIT, FAN/PULLEY (Serial # 1925-)	1
162	51.0052	.SHIM	1
166	51.0081	.SPRING, RELIEF HYDROGEAR	1
203	51.0049	.KIT, SEAL	1
210	51.0061	.TRANSAXLE, FRONT HIGH SPEED	1

Listed items are stocked. Check availability of unlisted parts.

AXLES & DRIVES

ILLUSTRATED DRAWING REAR AXLE

313-1700



AXLES & DRIVES

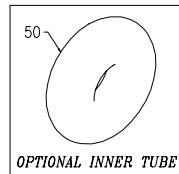
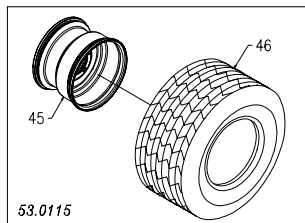
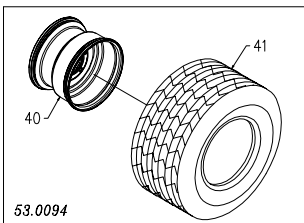
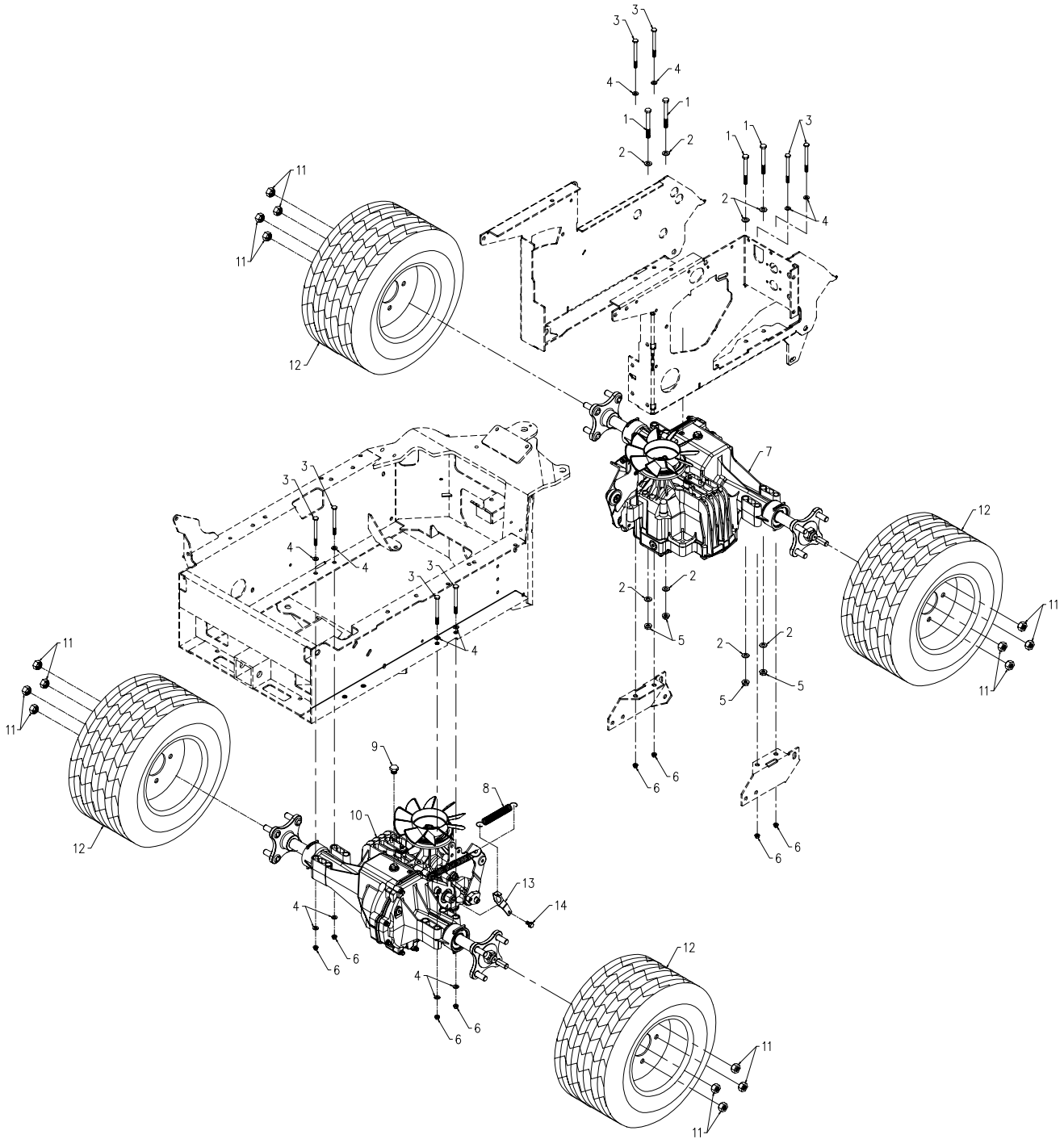
REAR AXLE

REF.	PART NO.	DESCRIPTION	QTY.
4	51.0079	.SPACER, .98 X 1.37 X .04	1
6	04.0038	.RING SET, 59 EXT WIRE	1
12	51.0076	.SHAFT, INPUT	1
13	51.0078	.WASHER, THRUST .59 X .79 X .04	1
24	51.0034	.SHAFT, MOTOR	1
38	51.0035	.PLATE, BYPASS	1
41	51.0036	.ARM, BYPASS	1
44	51.0037	.SCREW, 3/8-24 X 2.5	3
55	51.0038	.FILTER, REAR TRANSAXLE LT3000	1
74	55.0056	.BEARING, 1" X 52MM X 15MM	2
75	89.0068	.SEAL, LIP 25MM X 52MM X 10MM	2
76	51.0039	.SHAFT, AXLE	2
79	51.0040	.SEALANT	1
80	51.0041	.SCREW, TORX HEAD 5/16-18	8
84	89.0070	.SEAL, LIP .875 X 1.38 X .25	1
104	51.0043	.FAN (Serial # 1001-1924)	1
104	51.0066	.FAN, LH TRANSAXLES (Serial # 1925-)	1
110	25.6408-06-SP	.FITTING, O-RING PLUG 3/8 DRILL	1
118	51.0046	.HUB ASSEMBLY	2
119	99.A12NF	.LOCKNUT, STOVER 3/4-16 SAE	2
153	51.0068	.PLUG, 9/16-18 METAL	2
155	51.0048	.KIT, FAN/PULLEY ASSEMBLY (Serial # 1001-1924)	1
155	51.0067	.KIT, FAN/PULLEY (Serial # 1925-)	1
203	51.0049	.KIT, SEAL	1
210	51.0060	.TRANSAXLE, REAR HIGH SPEED	1

Listed items are stocked. Check availability of unlisted parts.

AXLES & DRIVES

ILLUSTRATED DRAWING AXLE MOUNT & TIRES



AXLES & DRIVES

AXLE MOUNT & TIRES

REF.	PART NO.	DESCRIPTION	QTY.
1	90.0524	.BOLT, 5/16-18 USS X 3	4
2	95.05	.WASHER, FLAT 5/16 SAE	8
3	90.0424	.BOLT, 1/4-20 USS X 3	8
4	95.04	.WASHER, FLAT 1/4 SAE	12
5	99.SF05	.NUT, SF 5/16-18 USS	4
6	99.SF04	.NUT, SF 1/4-20 USS	8
7	51.0061	.TRANSAXLE, FRONT 3000	1
8	41.0064	.SPRING, EXT 3/4 X 3-1/2 OALG	1
9	25.6408-06-SP	.FITTING, O-RING PLUG 3/8 DRILL	1
10	51.0060	.TRANSAXLE, REAR 3000	1
11	99.E0001	.NUT, LUG 1/2-20 SAE	16
12	53.0094	.WHEEL, ASM 18 X 10.50 X 10 4B	4
12	53.0115	.WHEEL, ASM 18X11X10 KNOB RH/LH	4
13	64.1434	.BRACKET, SPRING RETAINER	1
14	99.SF0404	.BOLT, SF 1/4-20 X 1/2	1
40	53.0106	.RIM, 10 X 8.5 4-BOLT LT	1
41	53.0117	.TIRE, LT STD 18X10.5X10 NO RIM	1
45	53.0106	.RIM, 10 X 8.5 4-BOLT LT	1
46	53.0116	.TIRE, KNOB 18X11X10 RH/LH	1
50	53.0143	.TUBE, INNER 18 X 11 X 10	4

*53.0094 is the standard wheel assembly.

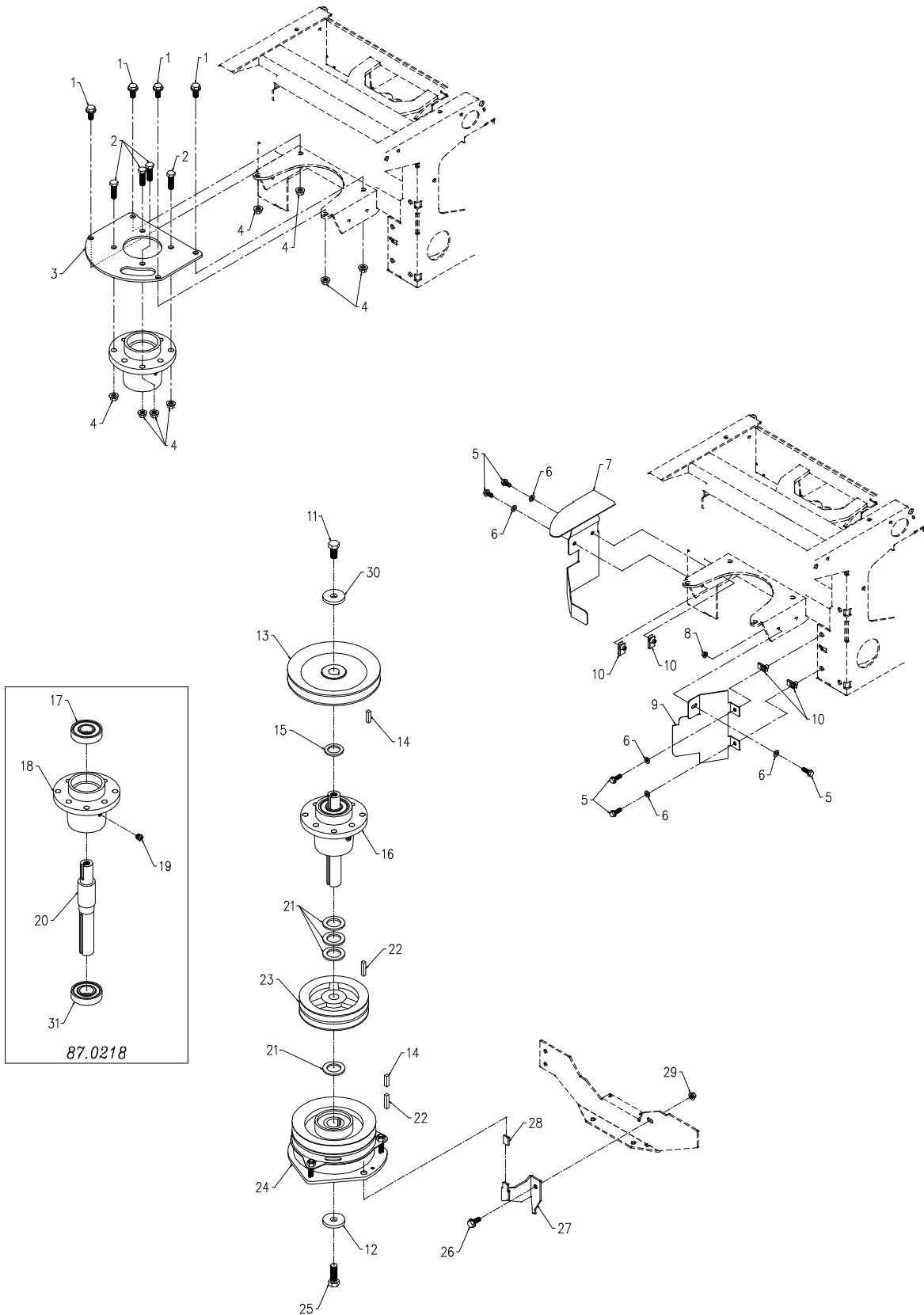
AXLES & DRIVES

BELT & PULLEY DIAGRAM

REF.	PART NO.	DESCRIPTION	QTY.
1	81.B065	.BELT, B65	1
2	81.A041	.BELT, A41	2
3	81.B089	.BELT, B89	1
4	83.0052	.PULLEY, 7-13/16 25 MM STR BORE	1
5	83.BK70H	.PULLEY, 7" H-BUSH	1
6	83.0037	.PULLEY, IDLER FLAT 4" X 3/8	3
7	83.0013	.PULLEY, IDLER FLAT 3/8 X 3 1/2	2
8	83.2AK5618	.PULLEY, 2AK 5.45" 1-1/8 BORE	1
9	51.0048	.KIT, FAN/PULLEY ASSEMBLY	2
10	37.0048	.CLUTCH/BRAKE, ELECTRIC OGURA	1
11	83.0038	.PULLEY, V-IDLER 4-1/4 X 3/8 ID	1
12	83.0039	.PULLEY, IDLER 2 GROOVE ASM	1

AXLES & DRIVES

ILLUSTRATED DRAWING CENTER SHAFT ASSEMBLY



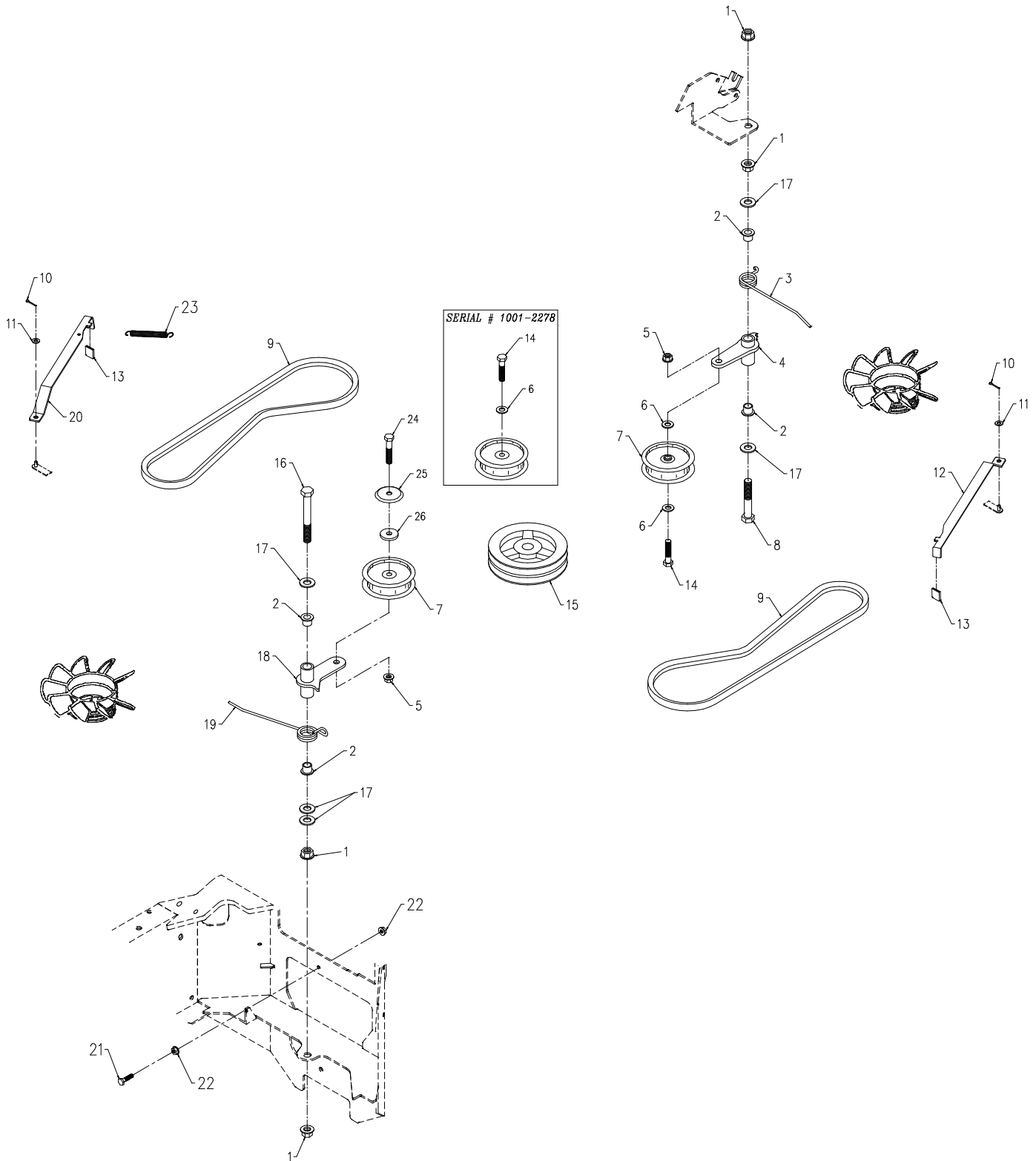
AXLES & DRIVES

CENTER SHAFT ASSEMBLY

REF.	PART NO.	DESCRIPTION	QTY.
1	99.SF0606	.BOLT, SF 3/8-16 USS X 3/4	4
2	90.0610	.BOLT, 3/8-16 USS X 1 1/4	4
3	64.1263	.PLATE, CENTER HUB MOUNTING	1
4	99.SF06	.NUT, SF 3/8-16 USS	8
5	99.SF0406	.BOLT, SF 1/4-20 X 3/4	5
6	95.04	.WASHER, FLAT 1/4 SAE	5
7	60.0988	.SHIELD, VERTICAL SHAFT LEFT	1
8	99.SF04	.NUT, SF 1/4-20 USS	1
9	60.0989	.SHIELD, VERTICAL SHAFT RIGHT	1
10	99.E0046	.NUT, "U" 1/4-20 EXTRUDED	4
11	91.0808	.BOLT, 1/2-20 SAE X 1	1
12	99.B0064	.WASHER, 1/4 X 1.75 X .531 HOLE	1
13	83.0052	.PULLEY, 7-13/16 25 MM STR BORE	1
14	85.K0408	.KEY, 1/4 X 1	2
15	99.B0013	.WASHER, MACH 1" ID 14 GA	1
16	87.0218	.SPINDLE, ASM LE CENTER SHAFT	1
17	55.0057	.BEARING, BALL X2 SIDED SHEILD	1
18	87.0209-1	.SPINDLE, HOUSING	1
19	29.GF0017	.RELIEF FITTING	1
20	87.0218-2	.SHAFT, LE CENTER SPINDLE	1
21	99.B0059	.WASHER, MACH 1 1/8 X 10 GA	4
22	85.K0410	.KEY, 1/4 X 1 1/4	2
23	83.2AK5618	.PULLEY, 2AK 5.45" 1-1/8 BORE	1
24	37.0048	.CLUTCH/BRAKE, ELECTRIC OGURA	1
25	91.0812	.BOLT, 1/2-20 SAE X 1 1/2	1
26	99.SF0506	.BOLT, SF 5/16-18 USS X 3/4	1
27	64.1265	.TORQUE ARM, CLUTCH	1
28	06.0044	.CAP, PLASTIC 1/8 X 1/2 X 7/8	1
29	99.SF05	.NUT, SF 5/16-18 USS	1
30	99.B0095	.WASHER, .531 IDX1.75 OD 3/16TK	1
31	55.0070	.BEARING, 30MM X 62MM X 16MM	1

AXLES & DRIVES

ILLUSTRATED DRAWING AXLE DRIVE



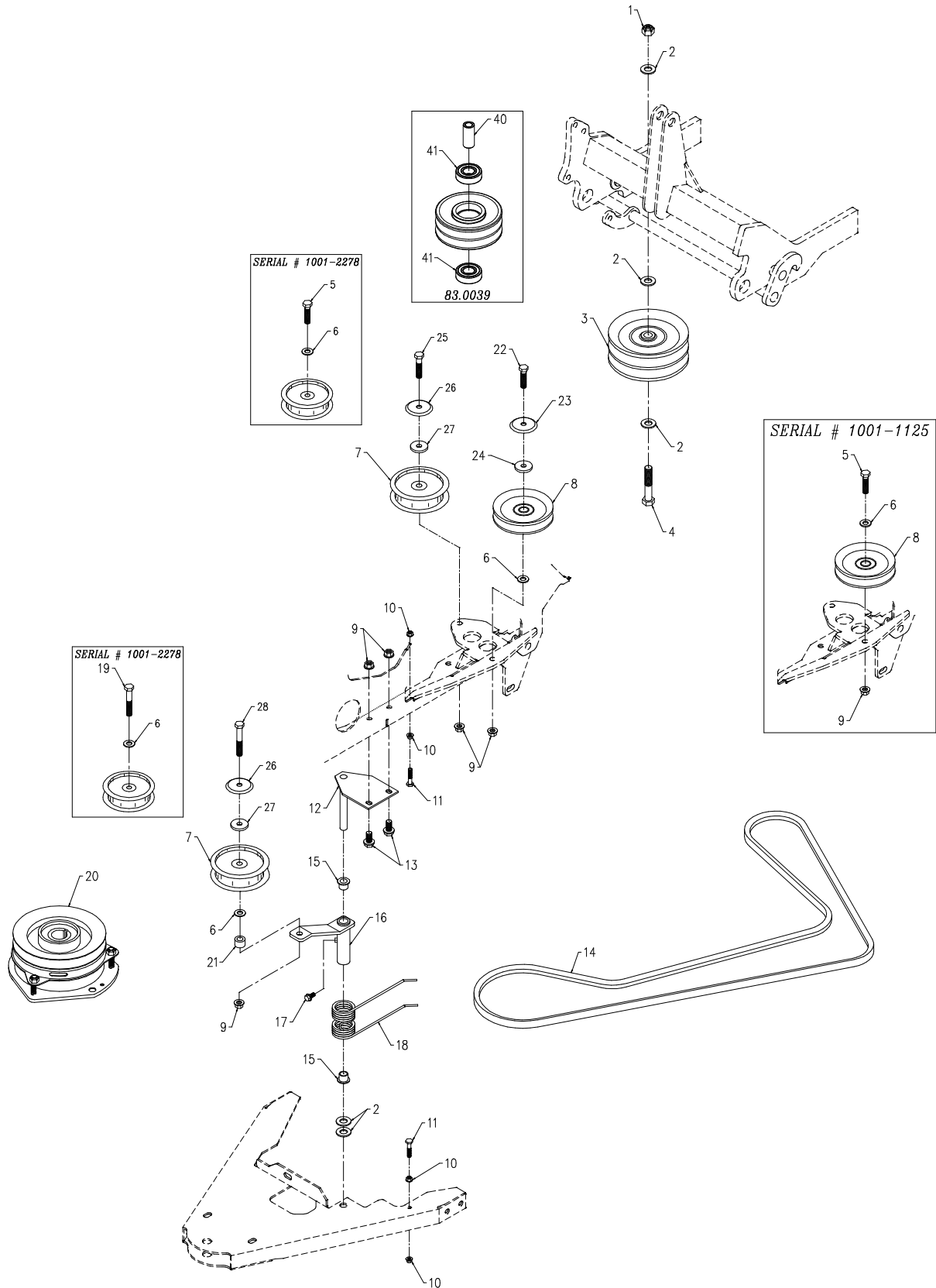
AXLES & DRIVES

AXLE DRIVE

REF.	PART NO.	DESCRIPTION	QTY.
1	99.SF08	.NUT, SF 1/2-13 USS	4
2	85.B0027	.BUSHING, 1/2 ID X 5/8 OD X 5/8	4
3	41.0083	.SPRING, TORSION RH 1-3/16 IDX7	1
4	40.0342	.IDLER, DRIVE BELT FRONT AXLE (Serial # 1001-1066)	1
4	40.0356	.IDLER ARM, DRIVE BLT FRNT AXLE (Serial # 1067-)	1
5	99.SF06	.NUT, SF 3/8-16 USS	2
6	95.06	.WASHER, FLAT 3/8 SAE	3
7	83.0013	.PULLEY, IDLER FLAT 3/8 X 3 1/2	2
8	90.0828	.BOLT, 1/2-13 USS X 3 1/2 (Serial # 1001-1066)	1
8	90.0824	.BOLT, 1/2-13 USS X 3 (Serial # 1067-)	1
9	81.A041	.BELT, A41	2
10	02.CP0306	.COTTER PIN, 3/32 X 3/4	2
11	95.04	.WASHER, FLAT 1/4 SAE	2
12	42.0510	.LINKAGE, FRONT AXLE NEUTRAL	1
13	06.0044	.CAP, PLASTIC 1/8 X 1/2 X 7/8	2
14	90.0614	.BOLT, 3/8-16 USS X 1 3/4	2
15	83.2AK5618	.PULLEY, 2AK 5.45" 1-1/8 BORE	1
16	90.0832	.BOLT, 1/2-13 USS X 4	1
17	95.08	.WASHER, FLAT 1/2 SAE	5
18	40.0345	.IDLER ARM, DRIVE BELT REAR AXL	1
19	41.0084	.SPRING, TORSION LH 1-3/16 IDX7	1
20	42.0511	.LINKAGE, REAR AXLE NEUTRAL	1
21	90.0408	.BOLT, 1/4-20 USS X 1	1
22	99.SF04	.NUT, SF 1/4-20 USS	2
23	41.0086	.SPRING, EXT 3/8" OD X 4" LONG	1
24	90.0616	.BOLT, 3/8-16 USS X 2 (Serial # 2279-)	1
25	60.1056	.COVER, PULLEY (SERIAL # 2279-)	1
26	99.G0014	.WASHER, 3/8 USS FW .165 THK (SERIAL # 2279-)	1

AXLES & DRIVES

ILLUSTRATED DRAWING PTO DRIVE



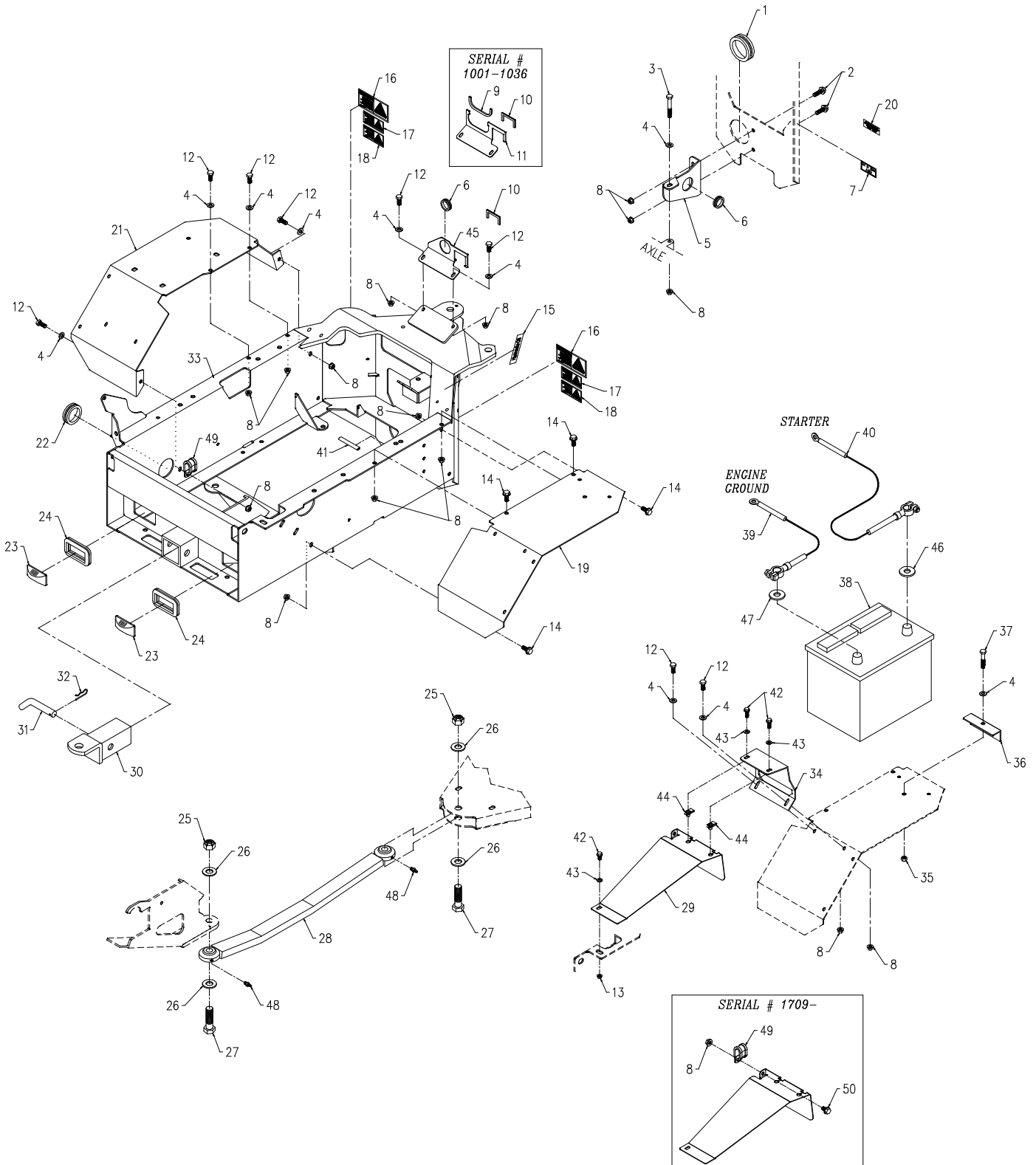
AXLES & DRIVES

PTO DRIVE

REF.	PART NO.	DESCRIPTION	QTY.
1	99.A08	.LOCKNUT, STOVER 1/2-13 USS	1
2	95.08	.WASHER, FLAT 1/2 SAE	5
3	83.0039	.PULLEY, IDLER 2 GROOVE ASM.	1
4	90.0822	.BOLT, 1/2-13 USS X 2 3/4	1
5	90.0612	.BOLT, 3/8-16 USS X 1 1/2 (Serial # 1001-2278)	1
6	95.06	.WASHER, FLAT 3/8 SAE	4
7	83.0037	.PULLEY, IDLER FLAT 4" X 3/8	2
8	83.0038	.PULLEY, V-IDLER 4-1/4 X 3/8 ID	1
9	99.SF06	.NUT, SF 3/8-16 USS	5
10	99.SF04	.NUT, SF 1/4-20 USS	4
11	90.0410	.BOLT, 1/4-20 USS X 1 1/4	2
12	64.0820	.ANCHOR, PLATE-PTO IDLER	1
13	99.SF0606	.BOLT, SF 3/8-16 USS X 3/4	2
14	81.B089	.BELT, B89	1
15	85.B0027	.BUSHING, 1/2 ID X 5/8 OD X 5/8	2
16	40.0274	.IDLER ARM, PTO	1
17	99.SF0404	.BOLT, SF 1/4-20 X 1/2	1
18	41.0065	.SPRING, DOUBLE TORSION BLACK	1
19	90.0618	.BOLT, 3/8-16 USS X 2 1/4 (Serial # 1001-2278)	1
20	37.0048	.CLUTCH/BRAKE, ELECTRIC OGURA	1
21	64.0892	.SPACER, IDLER PULLEY	1
22	90.0614	.BOLT, 3/8-16 USS X 1-3/4 (Serial # 1126-)	1
23	60.1056	.COVER, PULLEY (Serial # 1126-)	1
24	99.G0014	.WASHER, 3/8 USS FW .165 THK (Serial # 1126-)	1
25	90.0614	.BOLT, 3/8-16 USS X 1 3/4 (Serial # 2279-)	1
26	60.1056	.COVER, PULLEY (Serial # 2279-)	2
27	99.G0014	.WASHER, 3/8 USS FW .165 THK (Serial # 2279-)	2
28	90.0620	.BOLT, 3/8-16 USS X 2 1/2 (Serial # 2279-)	1
40	85.B0074	.BUSHING, DRIVE PULLEY	1
41	55.0042	.BEARING, BALL 20 MM X 47 MM	2

FRAMES & DASH

ILLUSTRATED DRAWING REAR FRAME



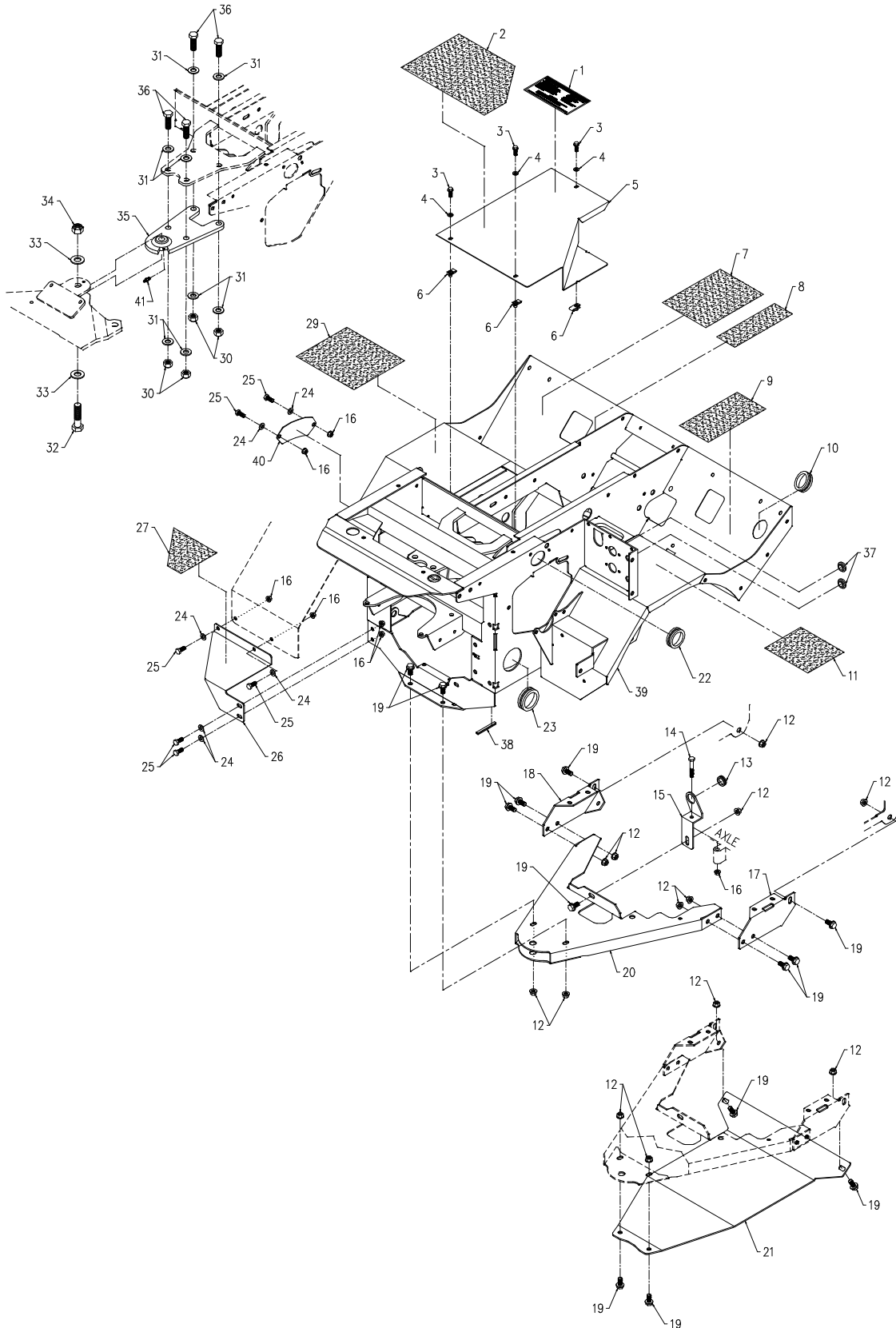
FRAMES & DASH

REAR FRAME

REF.	PART NO.	DESCRIPTION	QTY.
1	05.0056	.GROMMET, 2-1/8ID,2-7/8OD,7/16T	1
2	99.SF0508	.BOLT, SF 5/16-18 USS X 1	2
3	90.0518	.BOLT, 5/16-18 USS X 2 1/4	1
4	95.05	.WASHER, FLAT 5/16 SAE	10
5	62.1273	.MOUNT, TRANSAXLE REAR	1
6	05.0035	.GROMMET, 1 ID,1 3/4 OD,7/16THK	1
7	00.0100	.DECAL, MADE IN USA	1
8	99.SF05	.NUT, SF 5/16-18 USS	14
9	06.0057-4IN	.TRIM, EDGE GUARD 5/16" BLACK X 4" (Serial # 1001-1036)	1
10	06.0057-3IN	.TRIM, EDGE GUARD 5/16" BLACK X 3"	1
11	60.0986	.COVER, CENTER PIVOT (Serial # 1001-1036)	1
12	90.0506	.BOLT, 5/16-18 USS X 3/4	8
13	99.SF04	.NUT, SF 1/4-20 USS	1
14	99.SF0506	.BOLT, SF 5/16-18 USS X 3/4	4
15	00.0148	.DECAL, HYD. OIL 3-7/16 X 3/4	1
16	00.0220	.DECAL, GENERAL SAFETY	2
17	00.0216	.DECAL, WARNING MOVING PARTS	2
18	00.0218	.DECAL, WARNING PINCH POINT	2
19	60.0976	.FENDER, REAR RIGHT	1
20	00.0200	.DECAL, US PATENT	1
21	60.0975	.FENDER, REAR LEFT	1
22	05.0040	.GROMMET,1 1/2ID,2-3/8OD,3/32T	1
23	33.0045	.LIGHT, SEALED MARKER RED	2
24	05.0104	.GROMMET, MARKER LIGHT	2
25	99.A10	.LOCKNUT, STOVER 5/8-11 USS	2
26	95.10	.WASHER, FLAT 5/8 SAE	4
27	90.1018	.BOLT, 5/8-11 USS X 2 1/4	2
28	42.0513	.LINK, FRONT/REAR CONNECTOR (Serial # 1001-1130)	1
28	42.0546	.LINK, FRONT/REAR CONNECTOR (Serial # 1131-)	1
29	60.1008	.SHIELD, EXHAUST (Serial # 1001-1708)	1
29	60.1090	.SHIELD, HEAT (Serial # 1709-)	1
30	62.0968	.TUBE, RECEIVER HITCH	1
31	03.0014	.PIN, HITCH 5/8" X 3" USABLE	1
32	02.HP0524	.HAIRPIN, 5/32 X 3"	1
33	62.1266	.FRAME, REAR	1
34	64.1293	.CLAMP, BATTERY	1
35	99.A05	.LOCKNUT, STOVER 5/16-18 USS	1
36	64.1292	.CLAMP, BATTERY	1
37	90.0514	.BOLT, 5/16-18 USS X 1 3/4	1
38	33.0030	.BATTERY, HARRIS	1
39	32.0065	.CABLE, ASM NEG BATTERY 19" 4GA	1
40	32.0081	.CABLE, ASM POS BATTERY 43"	1
41	06.0050-4IN	.TRIM, TRIM LOC 1/2 X 3/16 X 4"	1
42	99.SF0406	.BOLT, SF 1/4-20 X 3/4	3
43	95.04	.WASHER, FLAT 1/4 SAE	3
44	99.E0046	.NUT, "U" 1/4-20 EXTRUDED	2
45	60.1016	.COVER, CENTER PIVOT (Serial # 1037 -)	1
46	05.0121	.WASHER, ANTI CORROSION RED	1
47	05.0122	.WASHER, ANTI CORROSION BLACK	1
48	29.GF0001	.GREASE FTG, 1/4 SAE ST (Serial # 1131-)	2
49	11.0046	.CLAMP, CUSHIONED METAL 1/2"	2
50	99.SF0504	.BOLT, SF 5/16-18 USS X 1/2" (Serial # 1709-)	1

FRAMES & DASH

ILLUSTRATED DRAWING FRONT FRAME



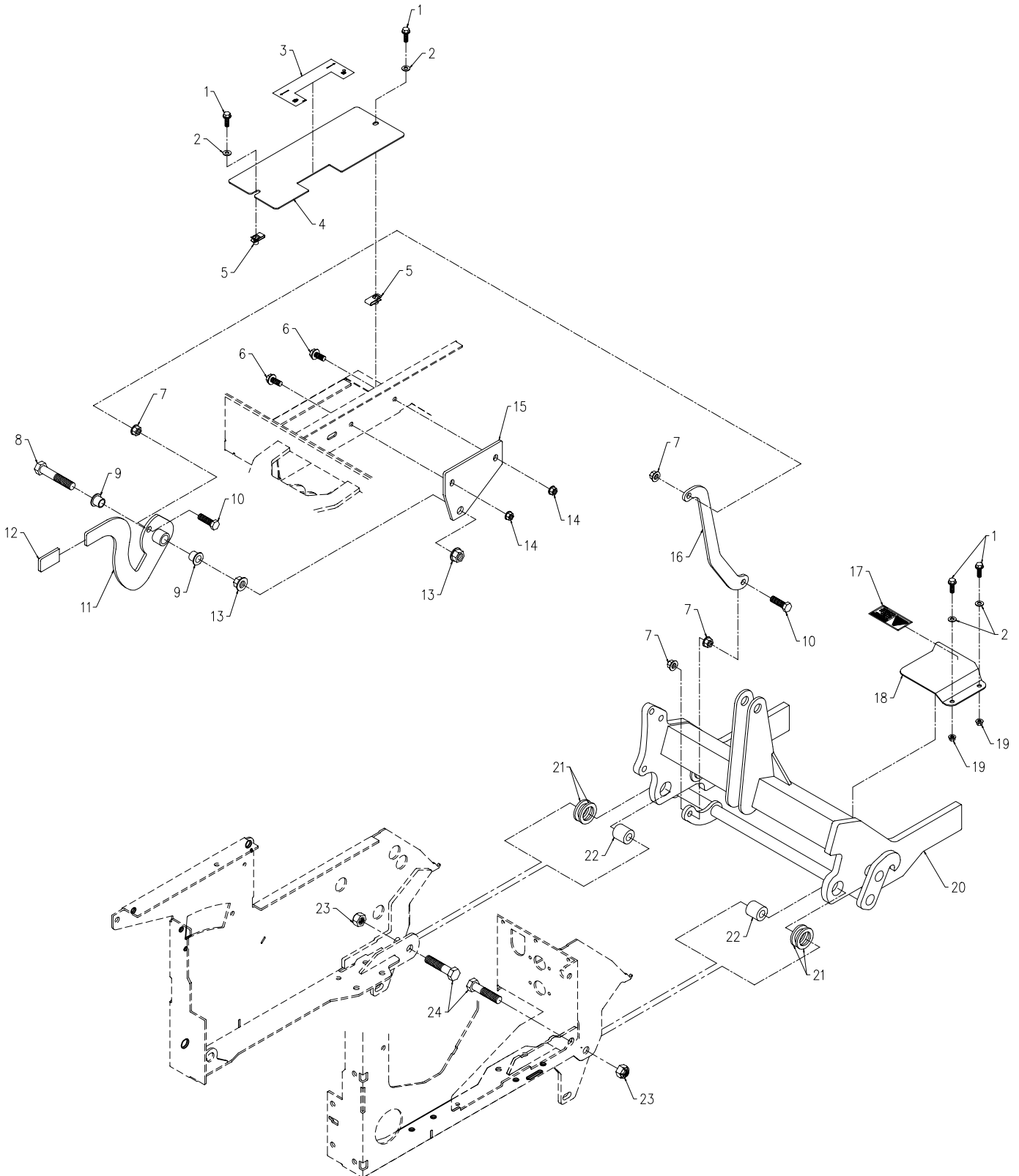
FRAMES & DASH

FRONT FRAME

REF.	PART NO.	DESCRIPTION	QTY.
1	00.0243	.DECAL, WARNING OPERATOR SAFETY	1
2	44.0238	.FLEX TREAD, TUNNEL ACCESS COVR	1
3	99.SF0406	.BOLT, SF 1/4-20 X 3/4	3
4	99.SF04	.NUT, SF 1/4-20 USS	3
5	60.0968	.COVER, TUNNEL ACCESS	1
6	99.E0046	.NUT, "U" 1/4-20 EXTRUDED	3
7	44.0236	.FLEX TREAD, LEFT FOOT PLATE	1
8	44.0235	.FLEX TREAD, LEFT FOOT PLATE	1
9	44.0234	.FLEX TREAD, RIGHT FOOT PLATE	1
10	05.0071	.GROMMET,1-3/4ID,2-3/4OD,7/16T	1
11	44.0232	.FLEX TREAD, RIGHT FENDER	1
12	99.SF06	.NUT, SF 3/8-16 USS	13
13	05.0045	.GROMMET, 3/4ID,1 3/8OD,1/2THK	1
14	90.0516	.BOLT, 5/16-18 USS X 2	1
15	64.1266	.SUPPORT, FRONT AXLE TORQUE ARM	1
16	99.SF05	.NUT, SF 5/16-18 USS	7
17	64.1268	.ANCHOR, LEFT FRONT SKID PLATE	1
18	64.1267	.ANCHOR, RIGHT FRONT SKID PLATE	1
19	99.SF0606	.BOLT, SF 3/8-16 USS X 3/4	13
20	64.1258	.PLATE, BELLY BAR ANCHOR	1
21	64.1270	.PLATE, SKID	1
22	05.0036	.GROMMET, 1 1/2ID,2 1/8OD,9/16T	1
23	05.0056	.GROMMET, 2-1/8ID,2-7/8OD,7/16T	1
24	95.05	.WASHER, FLAT 5/16 SAE	6
25	90.0506	.BOLT, 5/16-18 USS X 3/4	6
26	64.1275	.BRACKET, FOOT STEP	1
27	44.0233	.FLEX TREAD, FOOT STEP	1
29	44.0237	.FLEX TREAD, LEFT FENDER	1
30	99.A08	.LOCKNUT, STOVER 1/2-13 USS	4
31	95.08	.WASHER, FLAT 1/2 SAE	8
32	90.1020	.BOLT, 5/8-11 USS X 2 1/2	1
33	95.10	.WASHER, FLAT 5/8 SAE	2
34	99.A10	.LOCKNUT, STOVER 5/8-11 USS	1
35	64.1749	.PIVOT, CENTER MAIN	1
36	90.0812	.BOLT, 1/2-13 USS X 1 1/2	4
37	05.0109	.PLUG, 1" HOLE BLK PLASTIC	2
38	06.0050-4IN	.TRIM, TRIM LOC 1/2 X 3/16 X 4"	1
39	62.1258	.FRAME, FRONT	1
40	60.0985	.PLATE, WEIGHT TRANSFER COVER	1
41	29.GF0001	.GREASE FTG, 1/4 SAE ST	1

FRAMES & DASH

ILLUSTRATED DRAWING FRONT HITCH



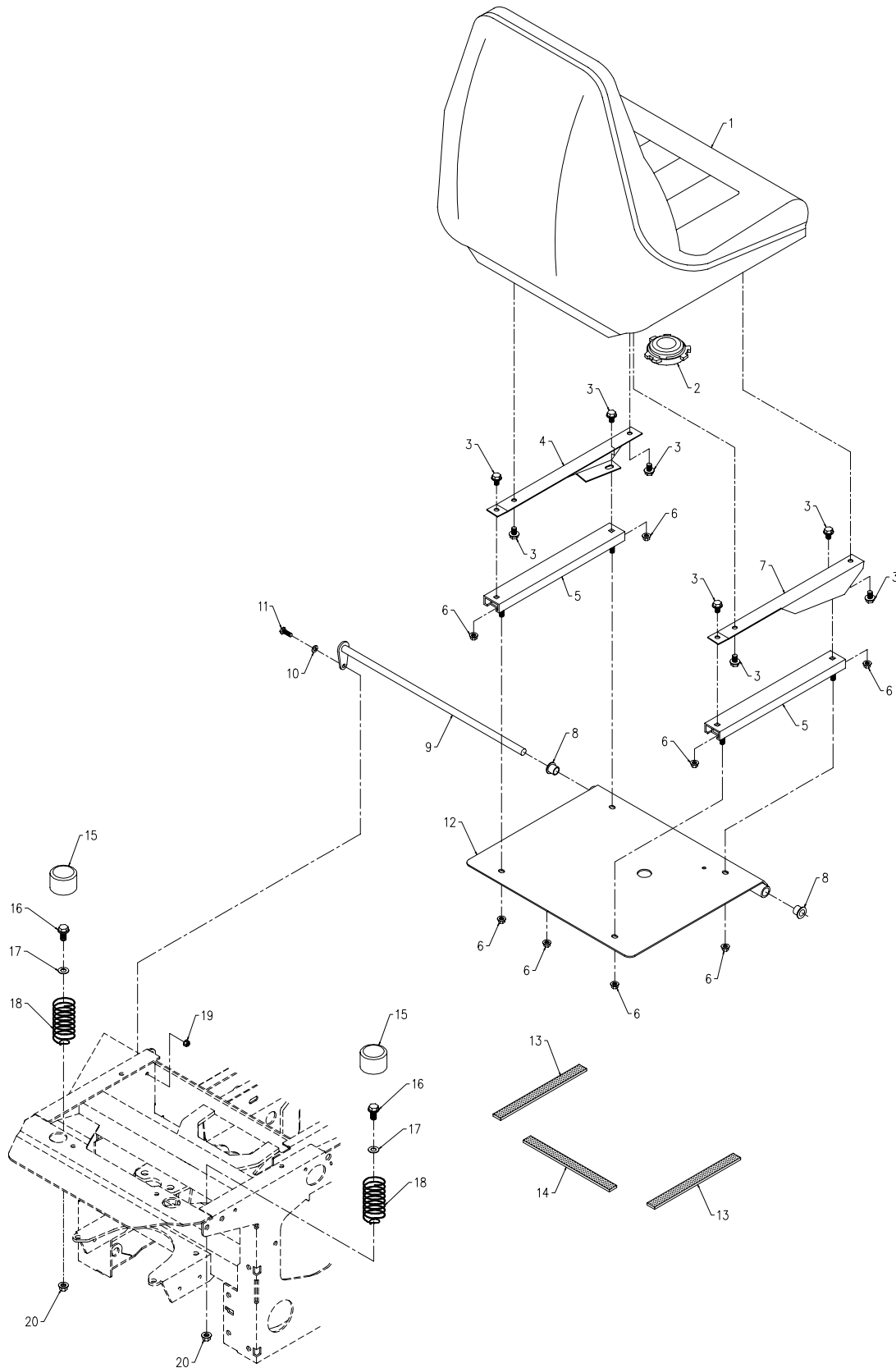
FRAMES & DASH

FRONT HITCH

REF.	PART NO.	DESCRIPTION	QTY.
1	99.SF0406	.BOLT, SF 1/4-20 X 3/4	4
2	95.04	.WASHER, FLAT 1/4 SAE	4
3	00.0233-5	.DECAL, HITCH RELEASE LEVER	1
4	60.0969	.COVER, WEIGHT TRANSFER ACCESS	1
5	99.E0046	.NUT, "U" 1/4-20 EXTRUDED	2
6	99.SF0506	.BOLT, SF 5/16-18 USS X 3/4	2
7	99.SF06	.NUT, SF 3/8-16 USS	4
8	90.0822	.BOLT, 1/2-13 USS X 2 3/4	1
9	85.B0027	.BUSHING, 1/2 ID X 5/8 OD X 5/8	2
10	90.0610	.BOLT, 3/8-16 USS X 1 1/4	2
11	40.0340	.LEVER, FRONT LATCH	1
12	06.0051	.CAP, 3/16 X 15/16 X 1-3/4 FE	1
13	99.SF08	.NUT, SF 1/2-13 USS	2
14	99.SF05	.NUT, SF 5/16-18 USS	2
15	64.1300	.MOUNT, HANDLE RELEASE LEVER	1
16	42.0512	.LINK, FRONT LATCH	1
17	00.0216	.DECAL, WARNING MOVING PARTS	1
18	60.0973	.SHIELD, BELT	1
19	99.SF04	.NUT, SF 1/4-20 USS	2
20	62.1259	.HITCH, FRONT	1
21	99.B0093	.WASHER, 1" ID X 1-1/2" OD 10GA	4
22	64.0807	.BUSHING, .516 X 1.000 X 1.000	2
23	99.A08	.LOCKNUT, STOVER 1/2-13 USS	2
24	90.0818	.BOLT, 1/2-13 USS X 2 1/4	2

FRAMES & DASH

ILLUSTRATED DRAWING HIGHBACK SEAT



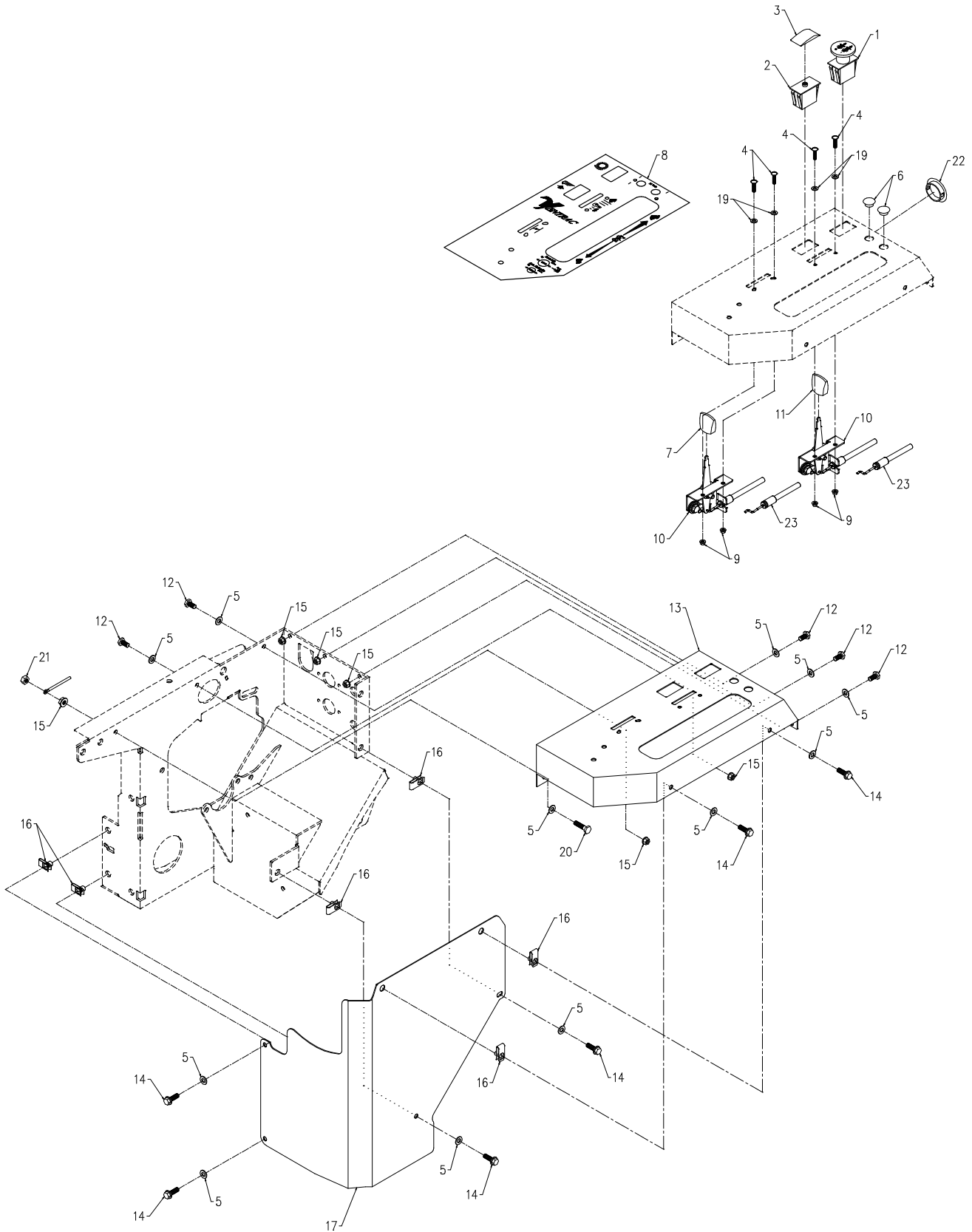
FRAMES & DASH

HIGHBACK SEAT

REF.	PART NO.	DESCRIPTION	QTY.
1	47.0112	.SEAT, MOLDED HIGH BACK	1
	47.0113	.ARMREST, KIT - STANDARD SEAT	1
2	31.0033	.SWITCH, SEAT 2" ROUND GRAY	1
3	99.SF0504	.BOLT, SF 5/16-18USS X 1/2	8
4	64.0770	.RISER, SEAT-LEFT LT	1
5	47.0114	.SLIDE, KIT FOR SEAT 47.0112	1
6	99.SF05	.NUT, SF 5/16-18 USS	8
7	64.0771	.RISER, SEAT-RIGHT LT	1
8	85.B0027	.BUSHING, 1/2 ID X 5/8 OD X 5/8	2
9	64.1259	.PIN, SEAT PIVOT	1
10	90.0406	.BOLT, 1/4-20 USS X 3/4	1
11	95.04	.WASHER, FLAT 1/4 SAE	1
12	62.1264	.PLATE, SEAT	1
13	06.0045-12IN	.WEATHERSTRIP, 1/8 X 3/4 X 12"	2
14	06.0045-16.5IN	.WEATHERSTRIP, 1/8 X 3/4 X 16 1/2"	1
15	05.0053	.BOOT, SPRING 1-11/16 ID X 1	2
16	99.SF0606	.BOLT, SF 3/8-16 USS X 3/4	2
17	94.06	.WASHER, FLAT 3/8 USS	2
18	41.0057	.SPRING, COMP 1.75 OD X 4.25 LG	2
19	99.SF04	.NUT, SF 1/4-20 USS	1
20	99.SF06	.NUT, SF 3/8-16 USS	2

FRAMES & DASH

ILLUSTRATED DRAWING DASH



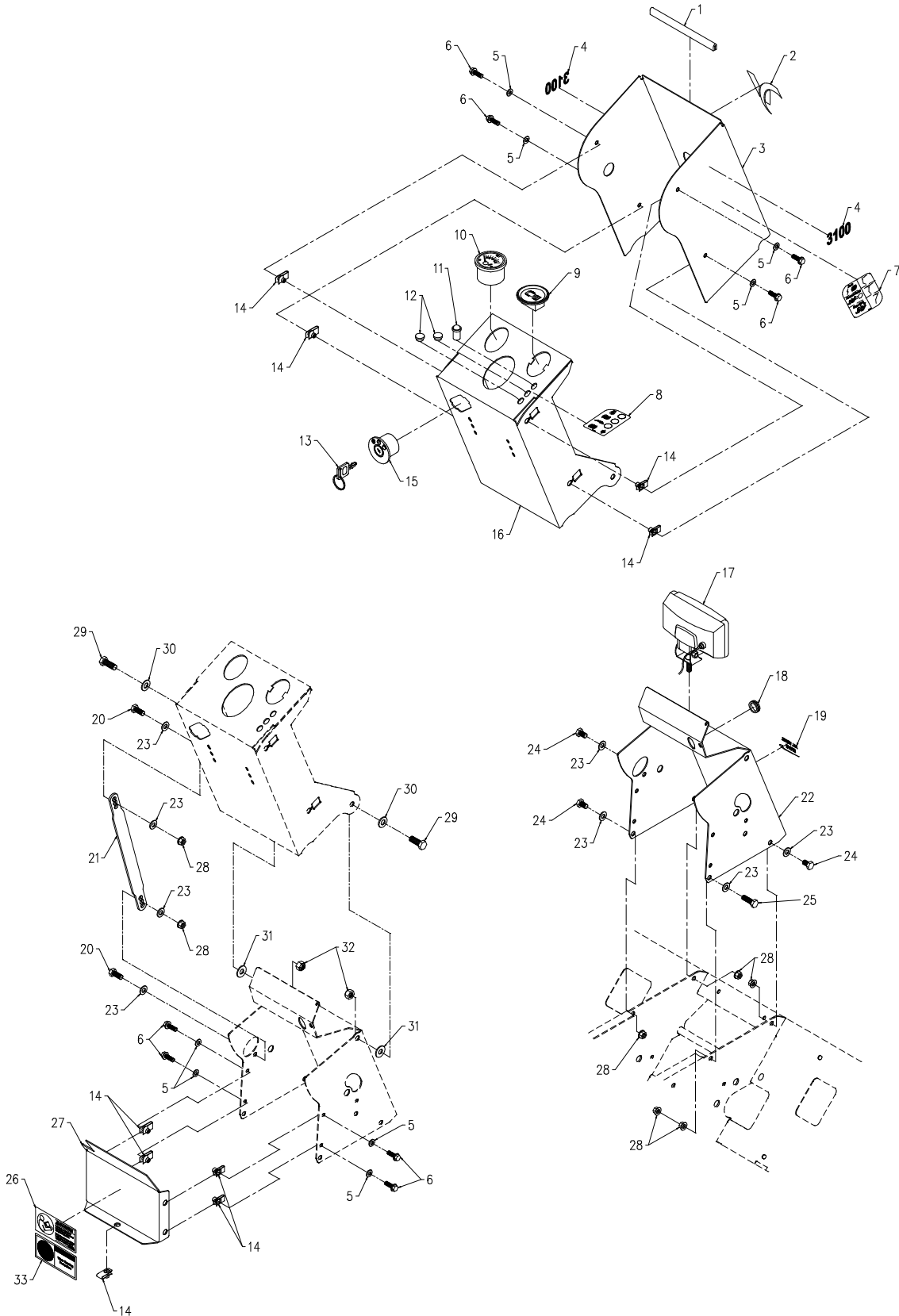
FRAMES & DASH

DASH

REF.	PART NO.	DESCRIPTION	QTY.
1	31.0043	SWITCH, PTO - PUSH/PULL	1
2	31.0036	SWITCH, CONTOUR ON-OFF DPST	1
3	31.0037	ROCKER, SWITCH SOFT/BLK/NO LEN	1
4	99.K0062	MACHINE SCREW, #10-32 X 1/2	4
5	95.04	WASHER, FLAT 1/4 SAE	12
6	05.0070	PLUG, 1/2" HOLE, NYLON	2
7	47.0246	KNOB, RED	1
8	00.0232	DECAL, MAIN CONTROL PANEL	1
9	99.E0035	NUT, SF #10-32	4
10	47.0255	CABLE, CHOKE/THROTTLE 74" (Serial # 1001-2230)	2
10	47.0338	CABLE, THROTTLE/CHOKE (Serial # 2231-)	2
11	47.0245	KNOB, BLACK	1
12	90.0404	BOLT, 1/4-20 USS X 1/2	5
13	62.1261	PANEL, DASH (Serial # 1001-1140)	1
13	60.1066	PANEL, DASH (Serial # 1141-)	1
14	99.SF0406	BOLT, SF 1/4-20 X 3/4	6
15	99.SF04	NUT, SF 1/4-20 USS	6
16	99.E0046	NUT, "U" 1/4-20 EXTRUDED	6
17	60.0967	COVER, HYDRAULIC ACCESS	1
19	99.B0051	WASHER, FLAT #10	4
20	90.0408	BOLT, 1/4-20 USS X 1	1
21	92.04	NUT, 1/4-20 USS	1
22	05.0091	PLUG, 1-1/4" HOLE, BLK PLASTIC	1
23	47.0339	CABLE, PUSH/PULL W/O HANDLE (Serial # 2231-)	2

FRAMES & DASH

ILLUSTRATED DRAWING STEERING COLUMN



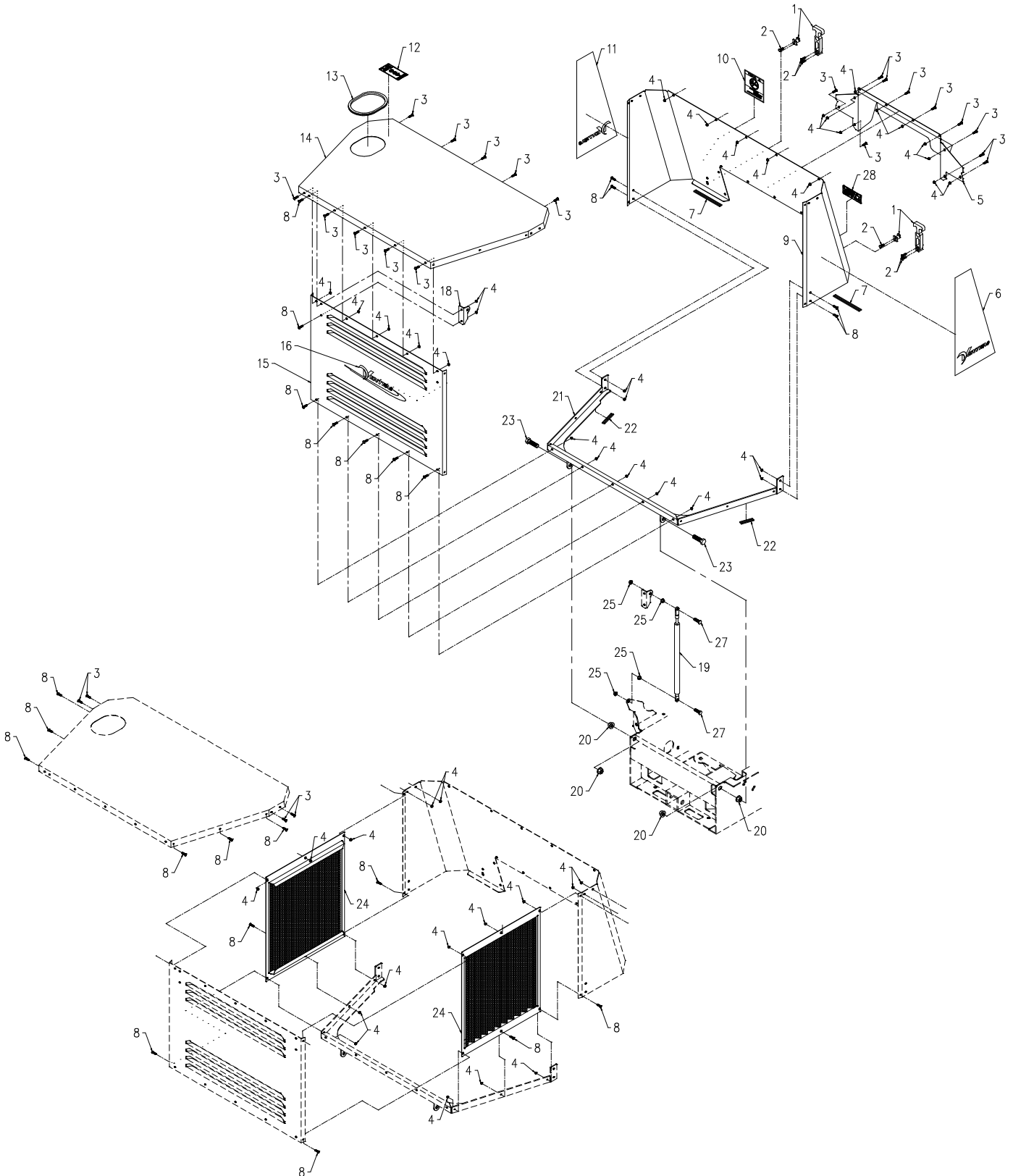
FRAMES & DASH

STEERING COLUMN

REF.	PART NO.	DESCRIPTION	QTY.
1	06.0042-45.25IN	.TRIM, TRIM LOC 1/2 X 1/16 X 45 1/4"	1
2	00.0192	.DECAL, V-DECAL DIE CUT BLUE	1
3	60.0965	.COVER, STEERING COLUMN	1
4	00.0240	.DECAL, 3100 RED W/WHITE TRIM	2
5	95.04	.WASHER, FLAT 1/4 SAE	8
6	99.SF0406	.BOLT, SF 1/4-20 X 3/4	8
7	00.0233-1	.DECAL, SELECTOR LEVER	1
8	00.0233-2	.DECAL, DASH INDICATOR LIGHT	1
9	35.0104	.GAUGE, HR/TACH ROUND DIGITAL (Serial # 1001-1056)	1
9	35.0111	.GAUGE, HR/TACH ROUND DIGITAL (Serial # 1057-)	1
	35.0113	.SENDING UNIT, TACHOMETER 99" (Serial # 1057-)	1
10	35.0101	.GAUGE, VOLTMETER 12 VOLT	1
11	33.0031	.LIGHT, RED	1
12	05.0070	.PLUG, 1/2" HOLE, NYLON	2
13	13.0080	.KEY, IGNITION DELTA	1
14	99.E0046	.NUT, "U" 1/4-20 EXTRUDED	9
15	13.0078	.SWITCH, IGNITION DELTA	1
16	62.1275	.COLUMN, 3100 STEERING TILT	1
17	33.0043	.LIGHT, HEAD 12V 55W HALOGEN	1
	33.0037	.BULB, LIGHT(ONLY) FOR 55 WATT	1
18	05.0045	.GROMMET, 3/4ID,1 3/8OD,1/2THK	1
19	00.0190	.DECAL, ALL WHEEL DRIVE-ORBITAL	1
20	90.0506	.BOLT, 5/16-18 USS X 3/4	2
21	42.0509	.LINKAGE, TILT	1
22	62.1263	.COLUMN, STEERING BASE	1
23	95.05	.WASHER, FLAT 5/16 SAE	8
24	90.0504	.BOLT, 5/16-18 USS X 1/2	3
25	90.0508	.BOLT, 5/16-18 USS X 1	1
26	00.0217	.DECAL, WARNING READ OWNERS MAN	1
27	60.0970	.COVER, STEERING COLUMN BASE	1
28	99.SF05	.NUT, SF 5/16-18 USS	7
29	90.0608	.BOLT, 3/8-16 USS X 1	2
30	95.06	.WASHER, FLAT 3/8 SAE	2
31	05.0083	.WASHER,PVC.375 ID X.875 X .062	2
32	99.A06	.LOCKNUT, STOVER 3/8-16 USS	2
33	00.0291	.DECAL, WARNING HEARING PPE (Serial # 1808-)	1

FRAMES & DASH

ILLUSTRATED DRAWING HOOD



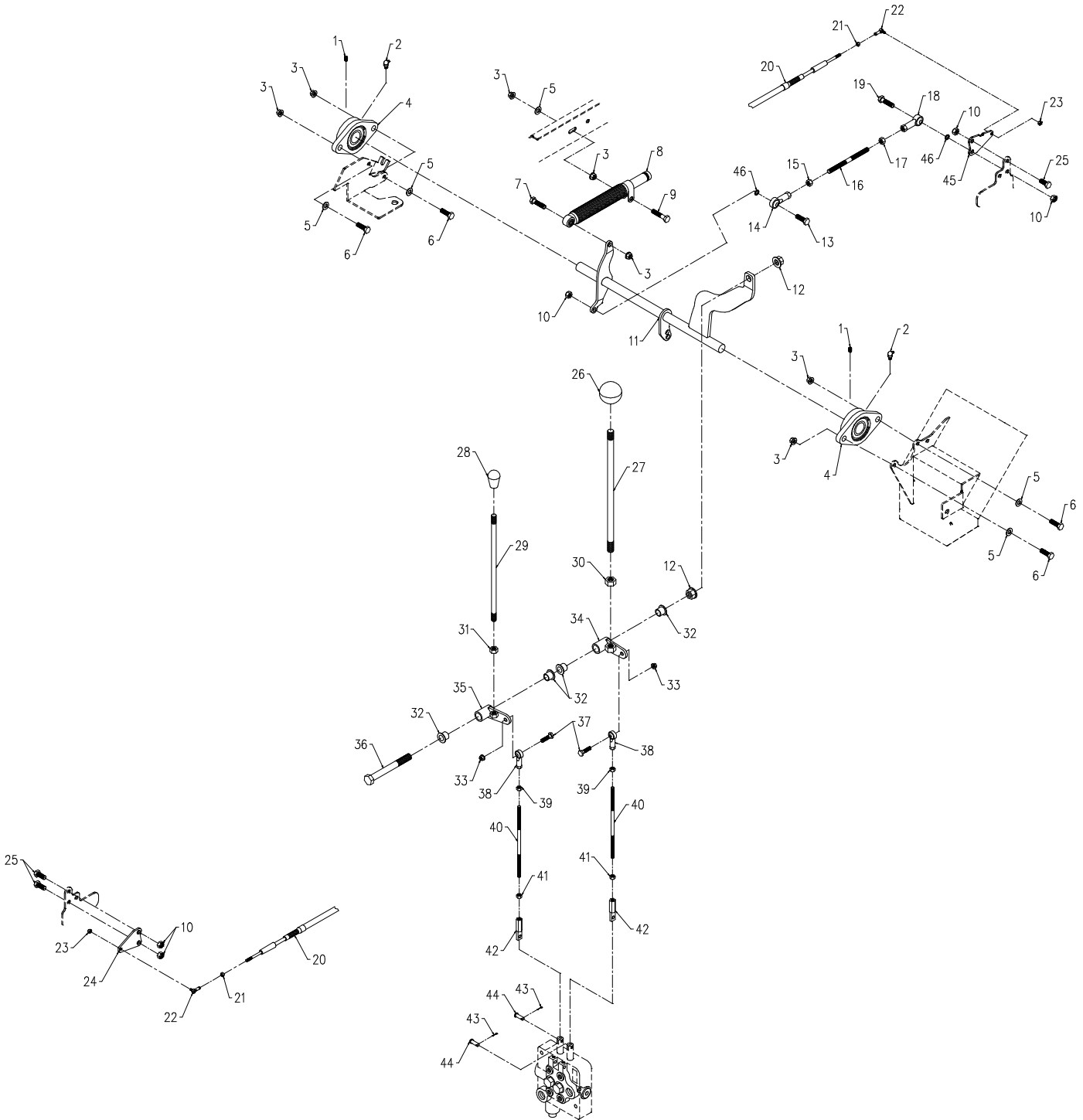
FRAMES & DASH

HOOD

REF.	PART NO.	DESCRIPTION	QTY.
1	47.0127	.LATCH, RUBBER DRAW T-HANDLE	2
2	99.K0072	.MACHINE SCREW, 10-24 X 1/2 ZP	6
3	99.K0042	.MACHINE SCREW, 10-32 X 3/8	24
4	99.E0035	.NUT, SF #10-32	47
5	60.0974	.COVER, HOOD FRONT	1
6	00.0237	.DECAL, LE HOOD - RIGHT SIDE	1
7	06.0045-6.5IN	.WEATHERSTRIP, 1/8 X 3/4 X 6 1/2"	2
8	99.K0062	.MACHINE SCREW, #10-32 X 1/2	23
9	60.0979	.HOOD, FRONT SIDE	1
10	00.0121	.DECAL, DANGER EXPLOSION HAZARD (Serial # 1001-2278)	1
11	00.0238	.DECAL, LE HOOD - LEFT SIDE	1
12	00.0332	.DECAL, GASOLINE ONLY	1
13	06.0049-16.63IN	.TRIM, TRIM SEAL W/BULB X 16 5/8"	1
14	60.0980	.HOOD, TOP SIDE	1
15	60.0978	.GRILL, REAR	1
16	00.0189	.DECAL, VENTRAC ORBITAL	1
18	64.1276	.BRACKET, GAS DAMPER	1
19	47.0275	.DAMPER, HYDRAULIC 18"	1
20	99.SF08	.NUT, SF 1/2-13 USS	4
21	64.1277	.BRACKET, HOOD SUPPORT	1
22	06.0045-3IN	.WEATHERSTRIP, 1/8 X 3/4 X 3"	2
23	90.0814	.BOLT, 1/2-13 USS X 1 3/4	2
24	64.1279	.SCREEN, REAR HOOD SIDE	2
25	99.SF05	.NUT, SF 5/16-18 USS	4
27	90.0508	.BOLT, 5/16-18 USS X 1	2
28	00.0345	.DECAL, DANGER BATTERY (Serial # 2279-)	1

CONTROLS & LINKAGE

ILLUSTRATED DRAWING SDLA CONTROLS



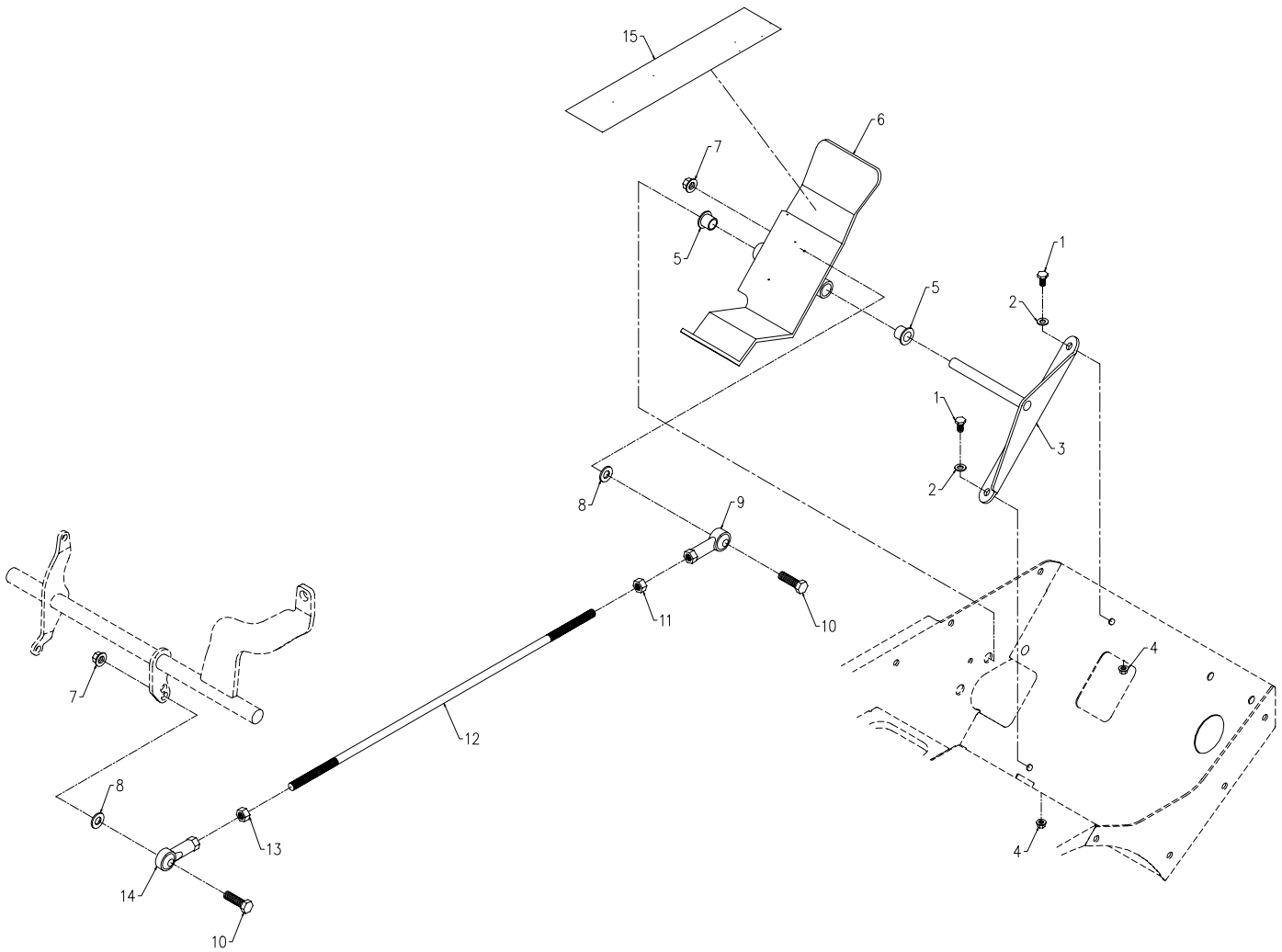
CONTROLS & LINKAGE

SDLA CONTROLS

REF.	PART NO.	DESCRIPTION	QTY.
1	85.SS14	.SET SCREW, 1/4-28 X 1/4"	2
2	29.GF0002	.GREASE FTG, 1/4 SAE 90.	2
3	99.SF05	.NUT, SF 5/16-18 USS	7
4	55.FB16012-1	.BEARING, FLANGE BLOCK 3/4"	2
5	95.05	.WASHER, FLAT 5/16 SAE	5
6	90.0508	.BOLT, 5/16-18 USS X 1	4
7	90.0510	.BOLT, 5/16-18 USS X 1 1/4.	1
8	47.0242	.DAMPER, 2.625 STROKE GAS SHOCK.	1
9	90.0512	.BOLT, 5/16-18 USS X 1 1/2.	1
10	99.A05NFN	.LOCKNUT, NYLON 5/16-24 SAE ZP	5
11	42.0505	.LINKAGE, FORWARD/REVERSE.	1
12	99.SF08	.NUT, SF 1/2-13 USS	2
13	91.0508	.BOLT, 5/16-24 SAE X 1	1
14	43.005L	.ROD END, 5/16 SPHERICAL (LH).	1
15	99.E0084	.NUT, 5/16-24 LEFT HAND ZP	1
16	42.0518	.ROD, THREAD 5/16-24 X4.5"LH/RH	1
17	93.05	.NUT, 5/16-24 SAE	1
18	43.005	.ROD END, 5/16 SPHERICAL	1
19	91.0510	.BOLT, 5/16-24 SAE X 1-1/4.	1
20	47.0253	.CABLE, CONTROL - REAR AXLE LE (Serial # 1001-2230)	1
20	47.0337	.CABLE, CONTROL PUSH-PULL (Serial # 2231-)	1
21	99.E0034	.NUT, #10-32	2
22	43.10-32S	.ROD END,10/32 SPHERICAL W/STUD	2
23	99.A1032N	.LOCKNUT, NYLON 10-32 STAINLESS	2
24	60.0971	.PLATE, AXLE CABLE MOUNT	1
25	91.0506	.BOLT, 5/16-24 SAE X 3/4	3
26	47.0003	.KNOB, ROUND 2" X 1/2-13	1
27	40.0240	.HANDLE, F/R CONTROL YZP	1
28	47.0001	.KNOB, SM. #80 3/8-16 THREAD	1
29	40.0241	.HANDLE, AUX CONTROL YZP	1
30	92.08-4	.NUT, 1/2-13 YELLOW ZP	1
31	92.06-4	.NUT, 3/8-16 YELLOW ZP	1
32	85.B0027	.BUSHING, 1/2 ID X 5/8 OD X 5/8	4
33	99.SF04	.NUT, SF 1/4-20 USS	2
34	42.0503	.ARM, PIVOT SDLA LIFT	1
35	42.0504	.ARM, PIVOT SDLA AUX.	1
36	90.0836	.BOLT, 1/2-13 USS X 4 1/2	1
37	90.0408	.BOLT, 1/4-20 USS X 1	2
38	43.004	.ROD END, 1/4 SPHERICAL	2
39	93.04	.NUT, 1/4-28 SAE	2
40	42.0515	.ROD, THREAD 1/4-28 X 7" LH/RH.	2
41	99.E0081	.NUT, 1/4-28 LH GRADE 8 YZ	2
42	43.004-4	.ROD END, 1/4-28LH YZP VAL CTRL	2
43	02.CP0204	.COTTER PIN, 1/16 X 1/2	2
44	03.0406	.CLEVIS PIN, 1/4 X 3/4	2
45	60.0971	.PLATE, AXLE CABLE MOUNT (Serial # 1001-1712)	1
45	64.1536	.PLATE, FRONT AXLE CABLE MOUNT (Serial # 1713-)	1
46	99.B0102	.WASHER, .313ID X .438OD X .062	2

CONTROLS & LINKAGE

ILLUSTRATED DRAWING FOOT PEDAL



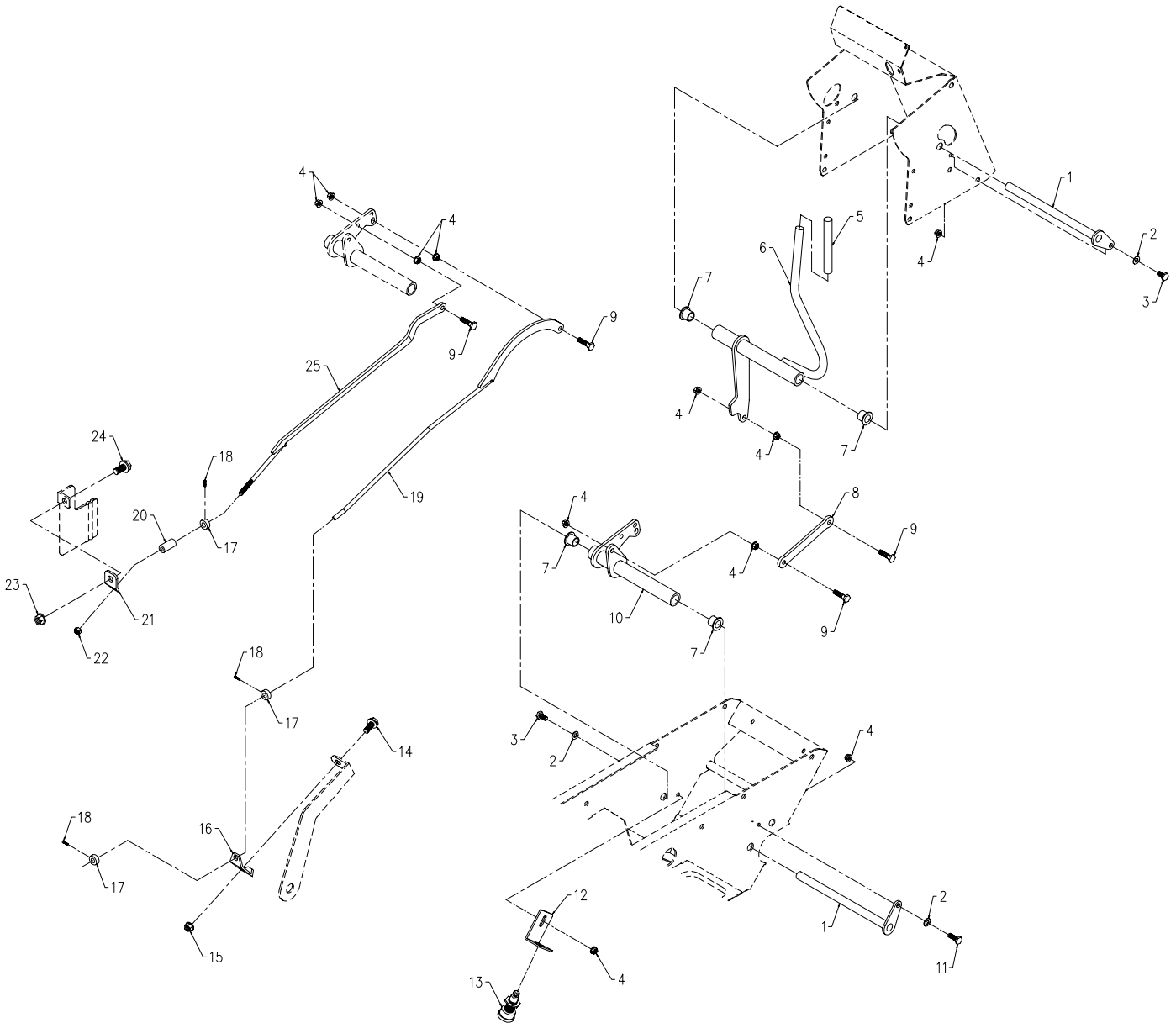
CONTROLS & LINKAGE

FOOT PEDAL

REF.	PART NO.	DESCRIPTION	QTY.
1	90.0404	.BOLT, 1/4-20 USS X 1/2	2
2	95.04	.WASHER, FLAT 1/4 SAE	2
3	42.0506	.PIVOT, FOOT PEDAL	1
4	99.SF04	.NUT, SF 1/4-20 USS	2
5	85.B0027	.BUSHING, 1/2 ID X 5/8 OD X 5/8	2
6	62.1260	.PEDAL, FOOT	1
7	99.SF06	.NUT, SF 3/8-16 USS	2
8	95.06	.WASHER, FLAT 3/8 SAE	2
9	43.006L	.ROD END, 3/8 SPHERICAL LH THRD	1
10	90.0610	.BOLT, 3/8-16 USS X 1 1/4	2
11	99.E0083	.NUT, JAM 3/8-24 SAE LH ZP	1
12	42.0516	.ROD, THREAD 3/8-24X20.25 LH/RH	1
13	93.06	.NUT, 3/8-24 SAE	1
14	43.006	.ROD END, 3/8 SPHERICAL	1
15	44.0275	.FLEX TREAD, FOOT PEDAL	1

CONTROLS & LINKAGE

ILLUSTRATED DRAWING PARK BRAKE



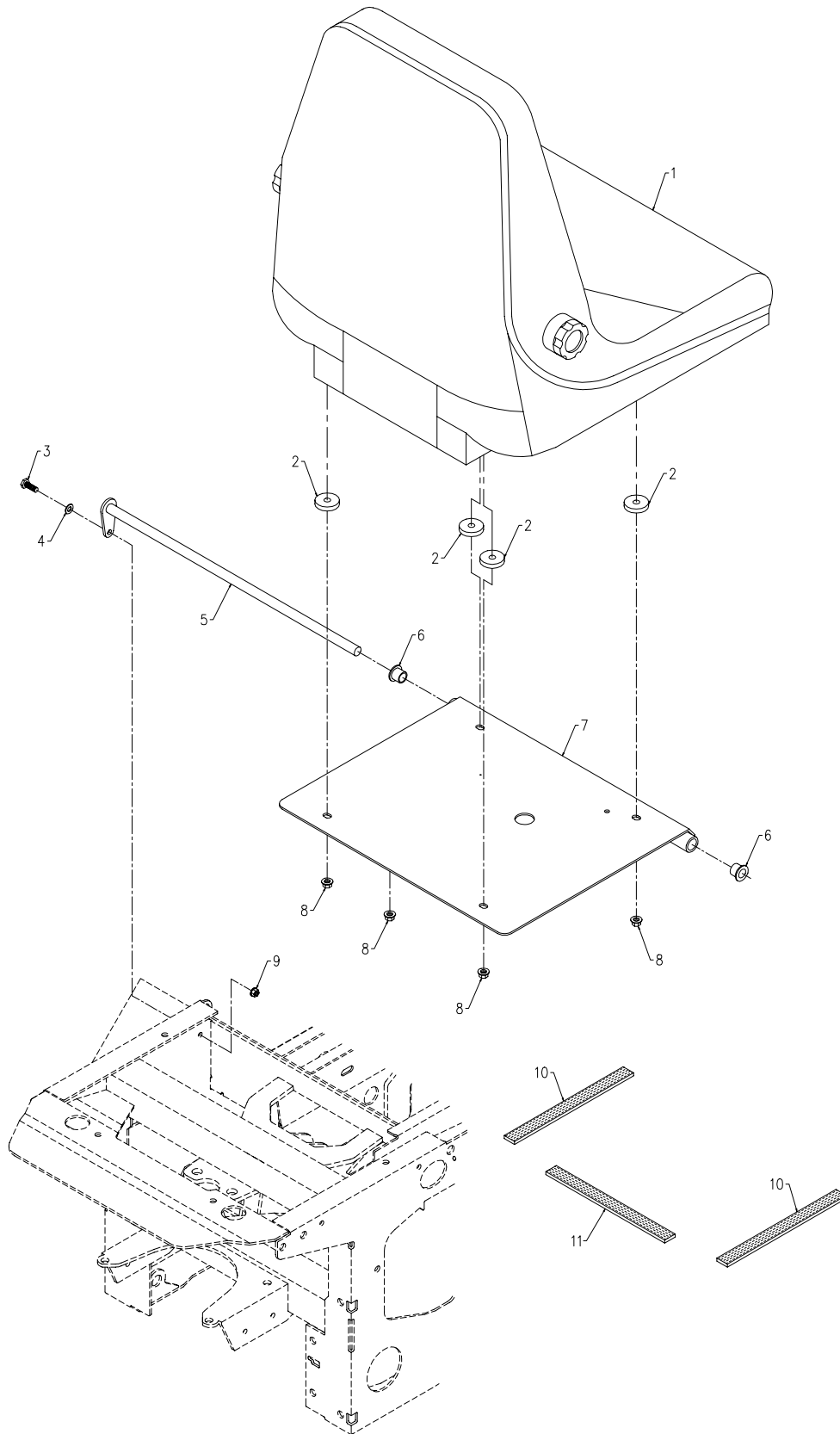
CONTROLS & LINKAGE

PARK BRAKE

REF.	PART NO.	DESCRIPTION	QTY.
1	64.1260	.PIN, PIVOT	2
2	95.04	.WASHER, FLAT 1/4 SAE	3
3	90.0404	.BOLT, 1/4-20 USS X 1/2	2
4	99.SF04	.NUT, SF 1/4-20 USS	11
5	06.0059	.CAP, VINYL 1/2" X 4" LONG	1
6	40.0344	.HANDLE, PARK/CRUISE SELECTOR	1
7	85.B0027	.BUSHING, 1/2 ID X 5/8 OD X 5/8	4
8	42.0508	.LINKAGE, MASTER LOCK OUT	1
9	90.0408	.BOLT, 1/4-20 USS X 1	4
10	64.1257	.ROCKER, MASTER LOCK OUT	1
11	90.0406	.BOLT, 1/4-20 USS X 3/4	1
12	64.1264	.PLATE, NEUTRAL SWITCH MOUNT	1
13	31.0044	.SWITCH, PUSH BUTTON - NEUTRAL	1
14	99.SF0506	.BOLT, SF 5/16-18 USS X 3/4	1
15	99.SF05	.NUT, SF 5/16-18 USS	1
16	64.0782	.EXTENSION, NEUTRAL ARM	1
17	85.SC05	.SET COLLAR, 5/16"	3
18	99.K0073	.BOLT, SHCS 10-32 X 1/2 ZP	3
19	42.0501	.LINK, NEUTRAL	1
20	05.0065	.SPACER, 1/4 ID X 1/2 OD X 1 LG	1
21	64.0781	.EXTENSION, BRAKE LEVER	1
22	99.A04NFN	.LOCKNUT, NYLON 1/4-28	1
23	99.SF06	.NUT, SF 3/8-16 USS	1
24	99.SF0606	.BOLT, SF 3/8-16 USS X 3/4	1
25	42.0502	.LINK, BRAKE	1

OPTIONS

ILLUSTRATED DRAWING SUSPENSION SEAT



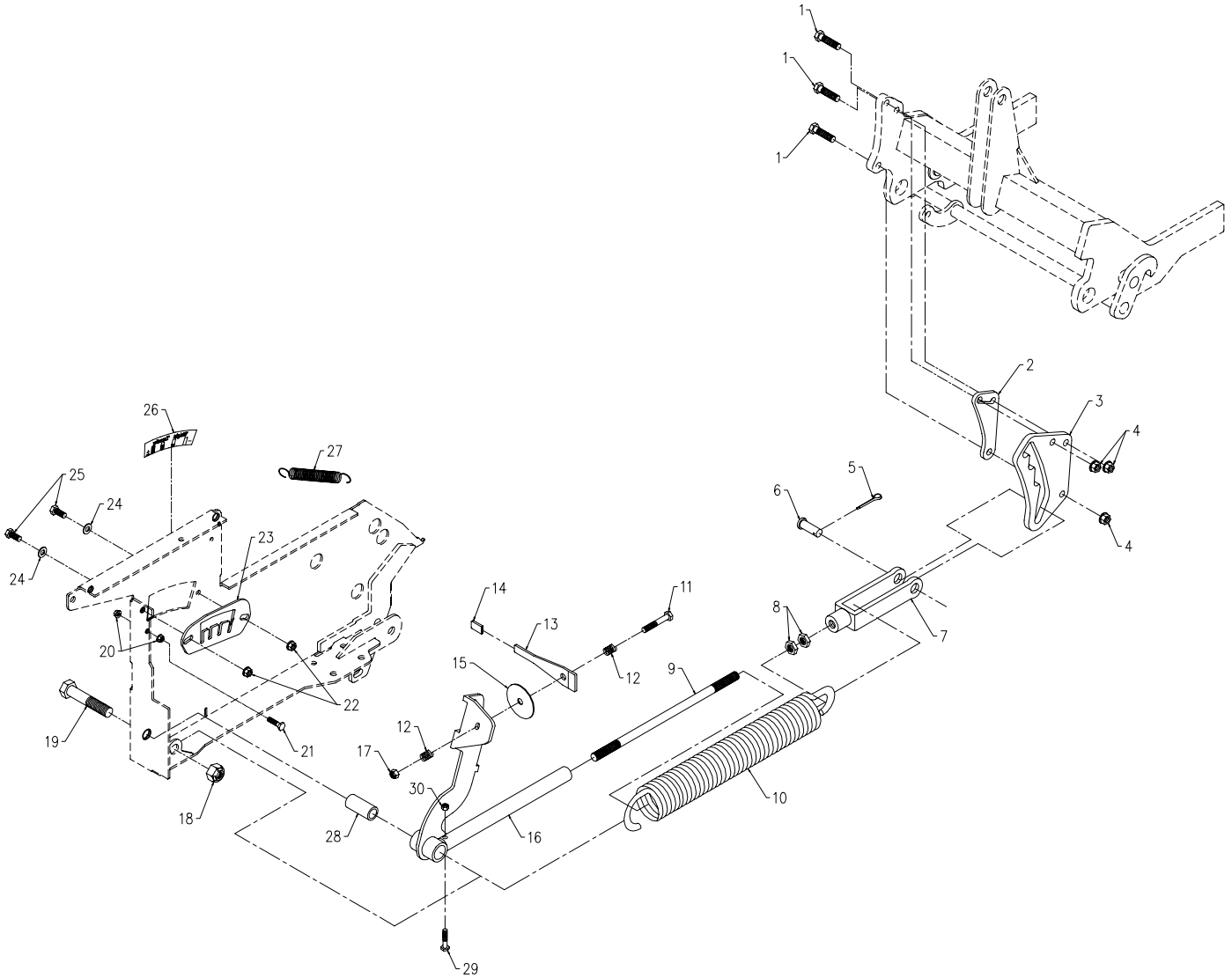
OPTIONS

SUSPENSION SEAT

REF.	PART NO.	DESCRIPTION	QTY.
1	47.0233	.SEAT, FULL SUSPENSION	1
	47.0231-1	.ARMREST, KIT - SUSPENSION SEAT	1
	47.0231-2	.KIT, SLIDE FOR SEAT	1
2	05.0069	.WASHER, NYLON	4
3	90.0406	.BOLT, 1/4-20 USS X 3/4	1
4	95.04	.WASHER, FLAT 1/4 SAE	1
5	64.1259	.PIN, SEAT PIVOT	1
6	85.B0027	.BUSHING, 1/2 ID X 5/8 OD X 5/8	2
7	62.1264	.PLATE, SEAT	1
8	99.SF05	.NUT, SF 5/16-18 USS	4
9	99.SF04	.NUT, SF 1/4-20 USS	1
10	06.0045-12IN	.WEATHERSTRIP, 1/8 X 3/4 X 12"	2
11	06.0045-16.5IN	.WEATHERSTRIP, 1/8 X 3/4 X 16 1/2"	1

OPTIONS

ILLUSTRATED DRAWING WEIGHT TRANSFER



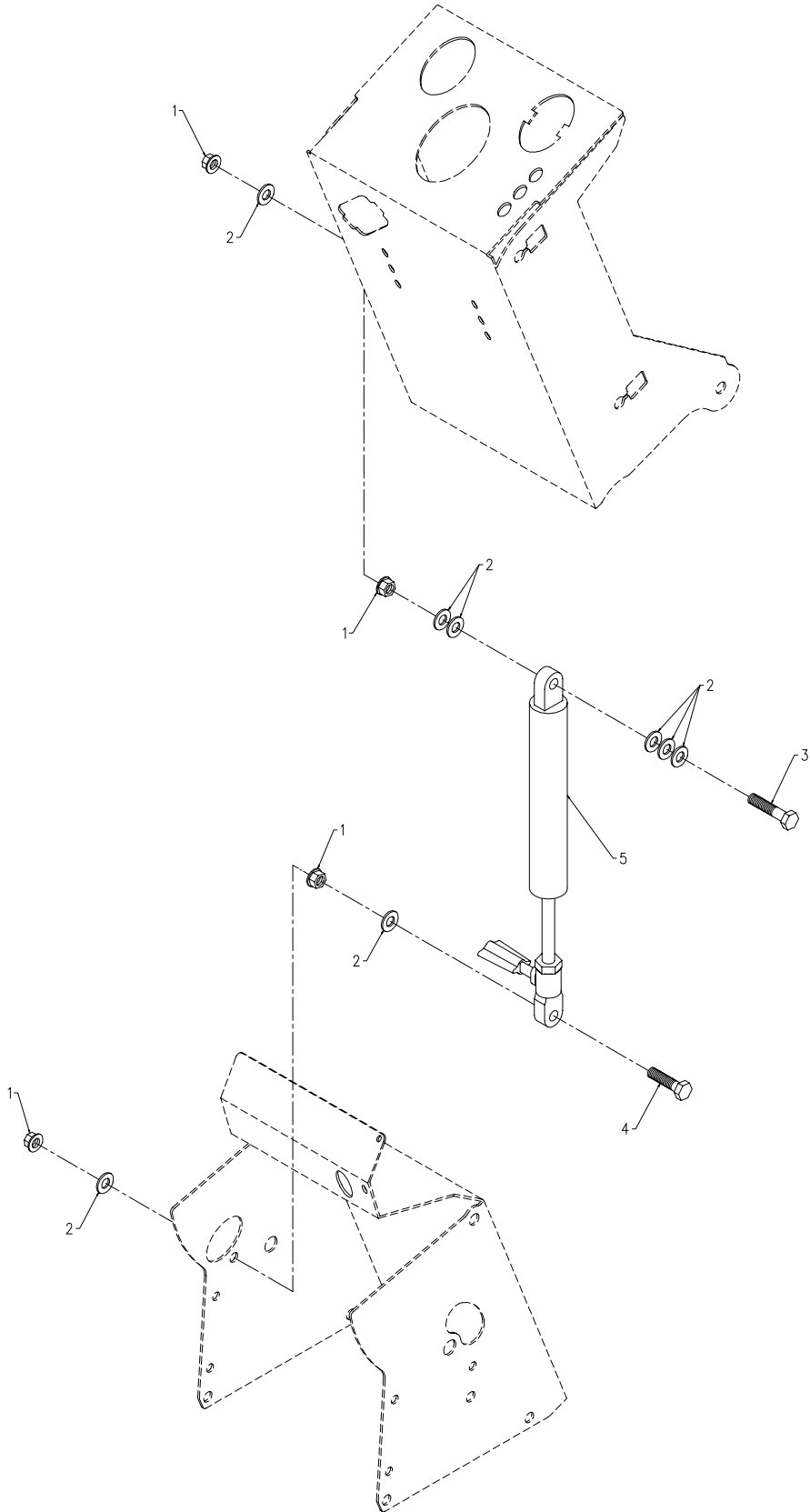
OPTIONS

WEIGHT TRANSFER

REF.	PART NO.	DESCRIPTION	QTY.
1	90.0612	.BOLT, 3/8-16 USS X 1 1/2	3
2	64.1272	.SPACER, WEIGHT TRANSFER STOP	1
3	64.1271	.PLATE, WEIGHT TRANSFER STOP	1
4	99.SF06	.NUT, SF 3/8-16 USS	3
5	02.CP0408	.COTTER PIN, 1/8 X 1	1
6	03.0812	.CLEVIS PIN, 1/2 X 1-1/2	1
7	43.C08-1R	.CLEVIS END, 1/2-20 RH THREAD	1
8	99.E0079	.NUT, JAM 1/2-20 RH YELLOW ZP	2
9	42.0517	.ROD, THREAD 1/2-20 X 12" LH/RH	1
10	41.0080	.SPRING, WEIGHT TRANSFER	1
11	90.0516	.BOLT, 5/16-18 USS X 2	1
12	41.0039	.SPRING, COMP. 9/16 OD X 5/8	2
13	40.0343	.LEVER, WEIGHT TRANSFER	1
14	06.0044	.CAP, PLASTIC 1/8 X 1/2 X 7/8	1
15	05.0002	.WASHER, FRIC. 2 1/4 X 13/32	1
16	40.0341	.ARM, WEIGHT TRANSFER	1
17	99.A05	.LOCKNUT, STOVER 5/16-18 USS	1
18	99.A10	.LOCKNUT, STOVER 5/8-11 USS	1
19	90.1026	.BOLT, 5/8-11 USS X 3 1/4	1
20	99.SF04	.NUT, SF 1/4-20 USS	2
21	90.0408	.BOLT, 1/4-20 USS X 1	1
22	99.SF05	.NUT, SF 5/16-18 USS	2
23	60.0972	.PLATE, WEIGHT TRANSFR SELECTOR	1
24	95.05	.WASHER, FLAT 5/16 SAE	2
25	90.0506	.BOLT, 5/16-18 USS X 3/4	2
26	00.0235-1	.DECAL, WEIGHT TRANSFER	1
27	41.0086	.SPRING, EXT 3/8" OD X 4" LONG	1
28	64.1269	.BUSHING, .635 IDX7/8 OD X1-7/8	1
29	90.0410	.BOLT, 1/4-20 USS X 1 1/4	1
30	99.A04	.LOCKNUT, STOVER 1/4-20 USS	1

OPTIONS

ILLUSTRATED DRAWING STEERING COLUMN TILT



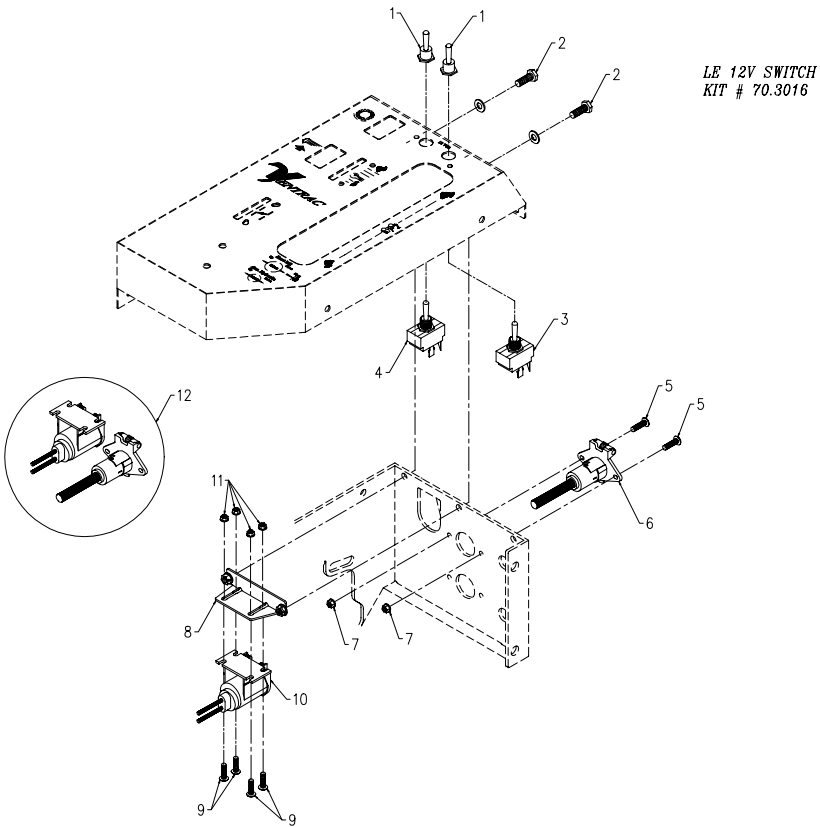
OPTIONS

STEERING COLUMN TILT

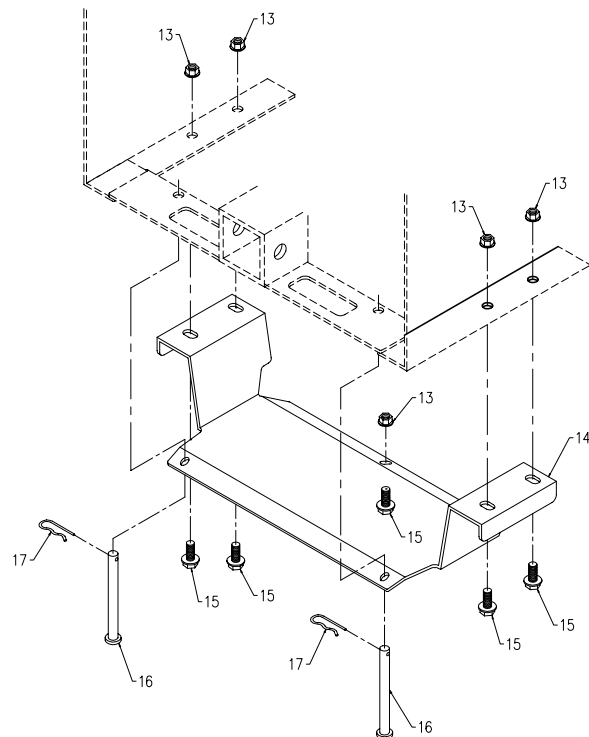
REF.	PART NO.	DESCRIPTION	QTY.
1	99.SF05	.NUT, SF 5/16-18 USS	4
2	95.05	.WASHER, FLAT 5/16 SAE	8
3	90.0512	.BOLT, 5/16-18 USS X 1 1/2	1
4	90.0510	.BOLT, 5/16-18 USS X 1 1/4	1
5	47.0250	.SHOCK, GAS BLOC-O-LIFT LOCKING	1

OPTIONS

ILLUSTRATED DRAWING 12V SWITCH KIT, REAR WEIGHT BRACKET KIT



LE REAR WEIGHT BRACKET
KIT # 70.3017



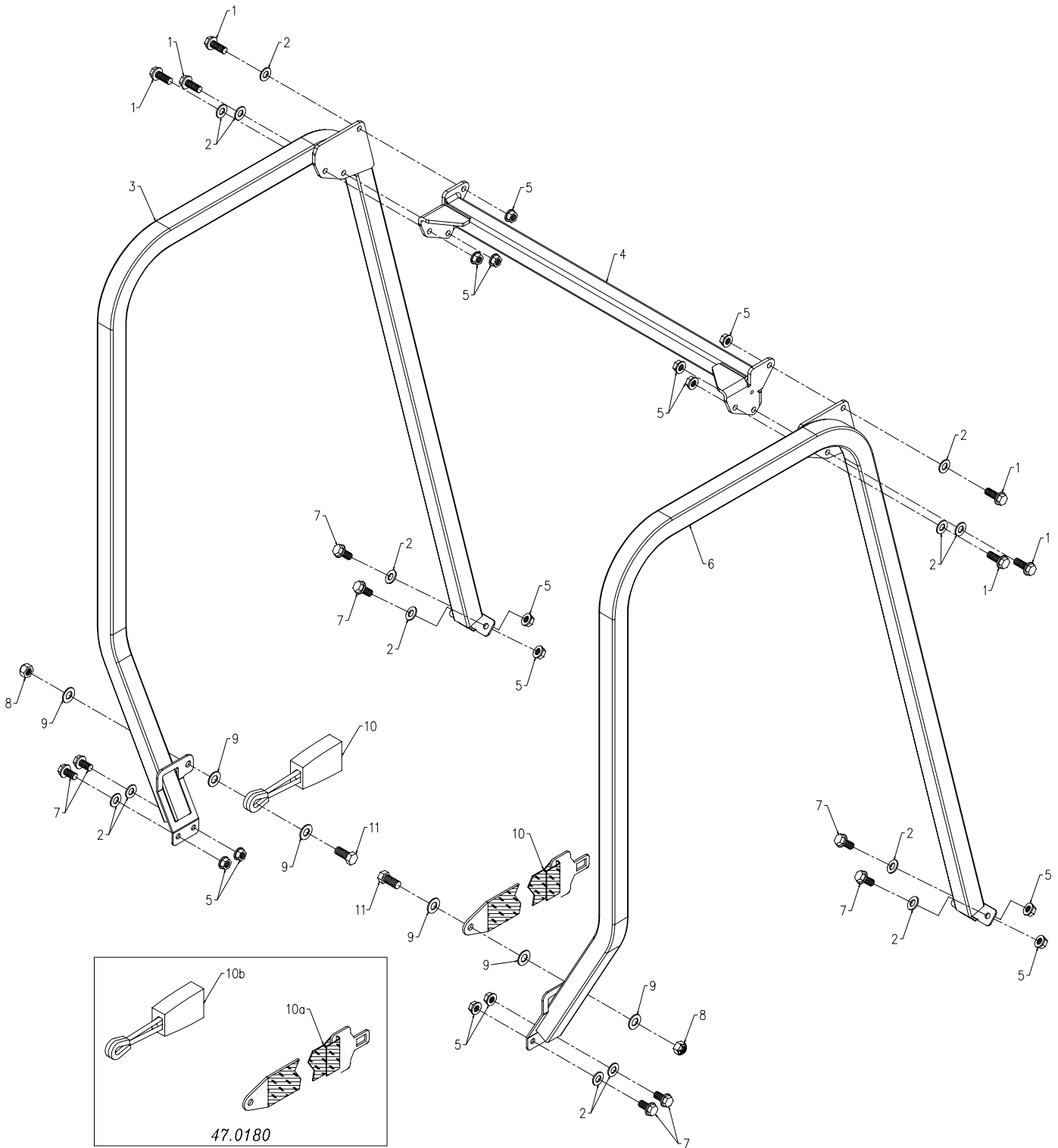
OPTIONS

12V SWITCH KIT, REAR WEIGHT BRACKET KIT

REF.	PART NO.	DESCRIPTION	QTY.
1	30.0157	.BOOT, TOGGLE SWITCH	2
2	90.0406	.BOLT, 1/4-20 USS X 3/4	2
3	31.0034	.SWITCH, TOGGLE ON/OFF SPST	1
4	31.0041	.SWITCH, TOGGLE DPDT MOOFFMO	1
5	99.K0062	.MACHINE SCREW, #10-32 X 1/2	2
6	30.0219	.SOCKET, TRAILER 4-PIN FEMALE	1
7	99.E0035	.NUT, SF #10-32	2
8	64.1295	.BRACKET, 12 VOLT ELECTRICAL	1
9	99.K0041	.MACHINE SCREW, #8-32 X 1/2	4
10	30.0221	.OUTLET, 12 VOLT ALL WEATHER	1
11	99.E0062	.NUT, SF#8-32	4
12	32.0084	.HARNESS, WIRE - LE31/3200 12 V	1
13	99.SF05	.NUT, SF 5/16-18 USS	5
14	64.1290	.BRACKET, WEIGHT BAR	1
15	99.SF0506	.BOLT, SF 5/16-18 USS X 3/4	5
16	03.0632	.CLEVIS PIN, 3/8 X 4	2
17	02.HP0416	.HAIRPIN, 1/8 X 2	2

OPTIONS

ILLUSTRATED DRAWING ROLL CAGE KIT # 70.3015



OPTIONS

ROLL CAGE KIT # 70.3015

REF.	PART NO.	DESCRIPTION	QTY.
1	99.SF0608	.BOLT, SF 3/8-16 USS X 1	6
2	95.06	.WASHER, FLAT 3/8 SAE	14
3	64.1274	.ROLLBAR, LEFT SIDE LE	1
4	64.1303	.BRACE, FRONT CROSSMEMBER LE	1
5	99.SF06	.NUT, SF 3/8-16 USS	14
6	64.1273	.ROLLBAR, RIGHT SIDE LE	1
7	99.SF0606	.BOLT, SF 3/8-16 USS X 3/4	8
8	99.A07	.LOCKNUT, STOVER 7/16-14 USS	2
9	95.07	.WASHER, FLAT 7/16 SAE	6
10	47.0180	.SEAT BELT, LAP N/C SWITCH 60"	1
10A	47.0180-1	.SEAT BELT, 60" LAP BELT RT SID	1
10B	47.0180-2	.SEAT BELT, BUCKLE W N/C SWTCH	1
11	90.0708	.BOLT, 7/16-14 USS X 1	2