



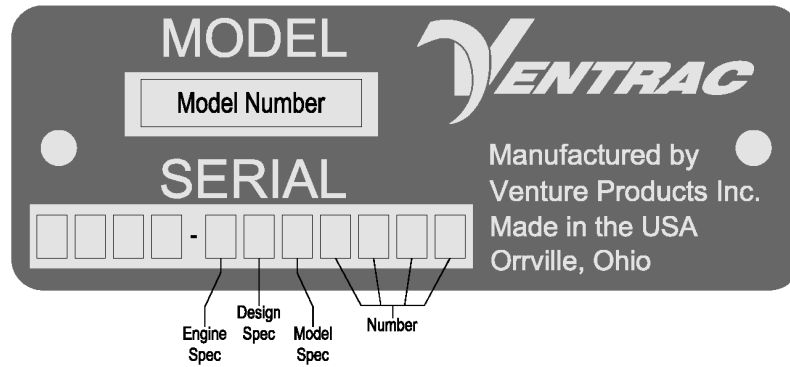
NORTH AMERICAN PARTS MANUAL

Ventrac LE3200



Revised 01/24/20
09.20008 Rev. 08

SERIAL NUMBER DESCRIPTION



ENGINE

T 23.6 HP VANGUARD DIESEL

TABLE OF CONTENTS

ELECTRICAL	PAGE 4
WIRING DIAGRAM	4
HYDRAULICS	PAGE 6
HYDRAULIC DIAGRAM.....	6
HYDRAULIC STEERING & FILTER.....	8
HYDRAULIC LIFT & VALVE	10
ENGINE	PAGE 12
ENGINE.....	12
ENGINE MOUNT	14
ENGINE DRIVE	16
AIR INTAKE & EXHAUST	18
COOLING SYSTEM	20
FUEL SYSTEM	22
AXLES & DRIVES	PAGE 24
FRONT AXLE.....	24
REAR AXLE	26
AXLE MOUNT & TIRES	28
BELT & PULLEY DIAGRAM	30
CENTER SHAFT ASSEMBLY	32
AXLE DRIVE.....	34
PTO DRIVE.....	36
FRAMES & DASH	PAGE 38
REAR FRAME	38
FRONT FRAME	40
FRONT HITCH.....	42
WEIGHT TRANSFER.....	44
HIGHBACK SEAT	46
SUSPENSION SEAT	48
DASH.....	50
STEERING COLUMN	52
HOOD	54
CONTROLS & LINKAGE	PAGE 56
SDLA CONTROLS	56
FOOT PEDAL	58
PARK BRAKE	60
OPTIONS	PAGE 62
12V SWITCH KIT, REAR WEIGHT BRACKET KIT.....	62
ROLL CAGE KIT # 70.3015.....	64

ELECTRICAL

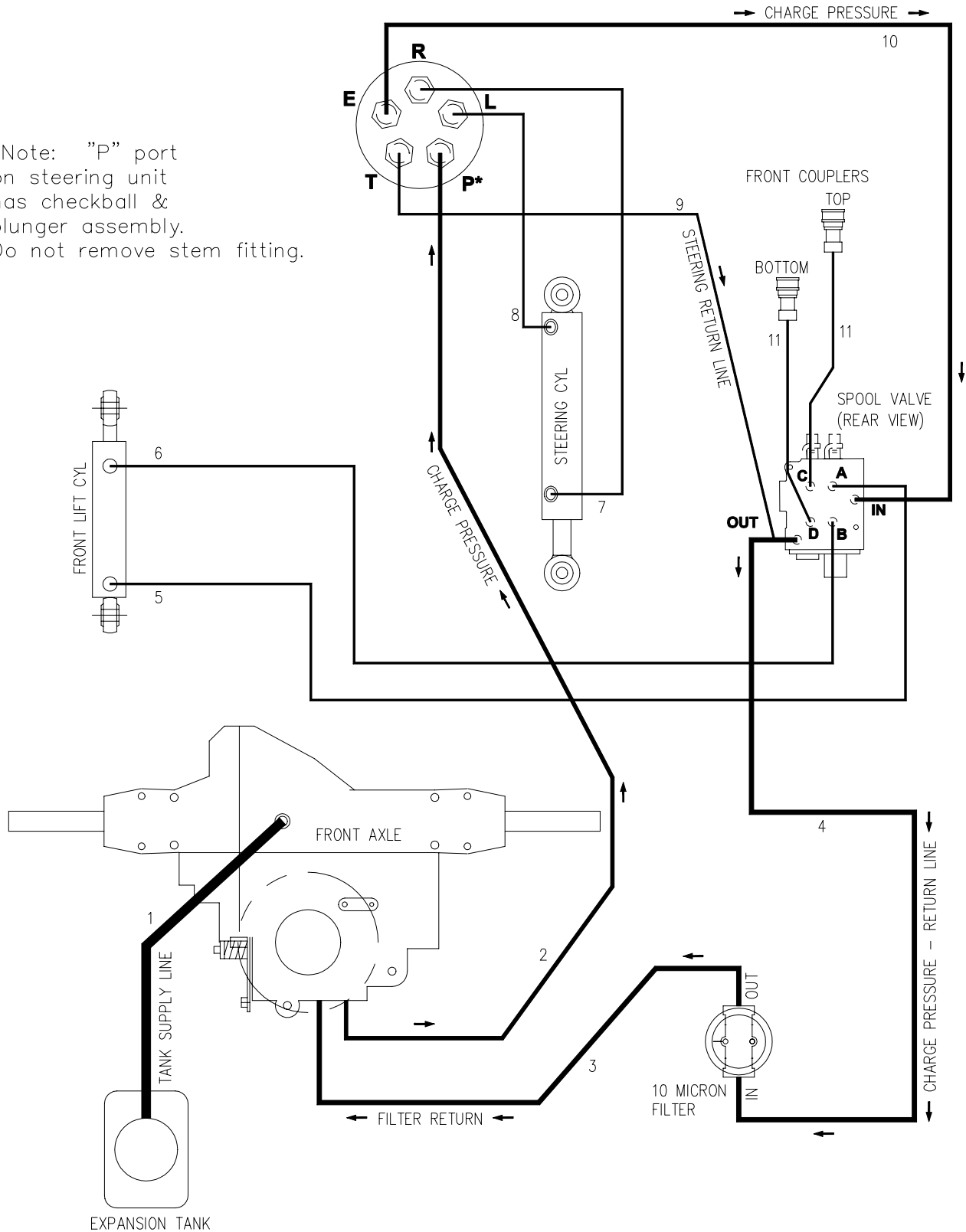
WIRING DIAGRAM

REF.	PART NO.	DESCRIPTION	QTY.
1	32.0083	.HARNESS, WIRE - LE3200 (NOT SHOWN)	1
2	13.0167	.ALTERNATOR, VANGUARD	1
	13.825388	.REGULATOR, 40 AMP	1
3	13.825000	.SWITCH, OIL PRESSURE	1
4	33.0031	.LIGHT, RED	1
5	33.0032	.LIGHT, BLUE	1
6	33.0020	.LIGHT, AMBER	1
7	13.820347	.SENSOR, FUEL FILTER	1
8	35.0101	.GAUGE, VOLTMETER 12 VOLT	1
9	35.0100	.GAUGE, TEMP 250 DEGREE 2" DIA	1
10	13.0075	.SENDING UNIT, TEMP 250 DEG	1
11	35.0107	.ALARM, HIGH TEMP	1
12	13.820208	.SWITCH, WATER TEMP	1
13	35.0110	.GAUGE, HOUR/TACH DGTL 72" LEAD (Serial # 1001-1389)	1
13	35.0114	.GAUGE, HOUR/TACH DGTL 27" LEAD (Serial # 1390-)	1
14	47.0276	.MAGNET, TACH SENSOR	1
15	13.825700	.STARTER, 1.2 KW	1
16	33.0030	.BATTERY, 450 CCA	1
17	32.0081	.CABLE, ASM POS BATTERY 43"	1
18	32.0065	.CABLE, ASM NEG BATTERY 19" 4GA	1
19	30.0188	.FUSE, 40 AMP ATC BLADE - AMBER	1
20	13.0078	.SWITCH, IGNITION DELTA	1
21	30.0185	.FUSE PANEL, 8 CIRCUT ATC BLADE	1
22	35.0103	.RELAY, 50 AMP 5 POLE	4
23	13.0071	.TIMER, GLOW PLUG-VANGUARD	1
24	31.0036	.SWITCH, CONTOUR ON-OFF DPST	1
25	33.0043	.LIGHT, HEAD 12V 55W HALOGEN	1
26	33.0045	.LIGHT, SEALED MARKER RED	2
27	31.0044	.SWITCH, PUSH BUTTON - NEUTRAL	1
28	31.0043	.SWITCH, PTO - PUSH/PULL	1
29	31.0033	.SWITCH, SEAT 2" ROUND GRAY	1
30	37.0048	.CLUTCH/BRAKE, ELECTRIC OGURA	1
31	32.0084	.HARNESS, WIRE - LE31/3200 12 V (NOT SHOWN)	1
32	30.0219	.SOCKET, TRAILER 4-PIN FEMALE	1
33	31.0034	.SWITCH, TOGGLE ON/OFF SPST	1
34	31.0041	.SWITCH, TOGGLE DPDT MOOFFMO	1
35	30.0221	.OUTLET, 12 VOLT ALL WEATHER	1

HYDRAULICS

ILLUSTRATED DRAWING HYDRAULIC DIAGRAM TOP VIEW SHOWN UNLESS NOTED

*Note: "P" port on steering unit has checkball & plunger assembly. Do not remove stem fitting.



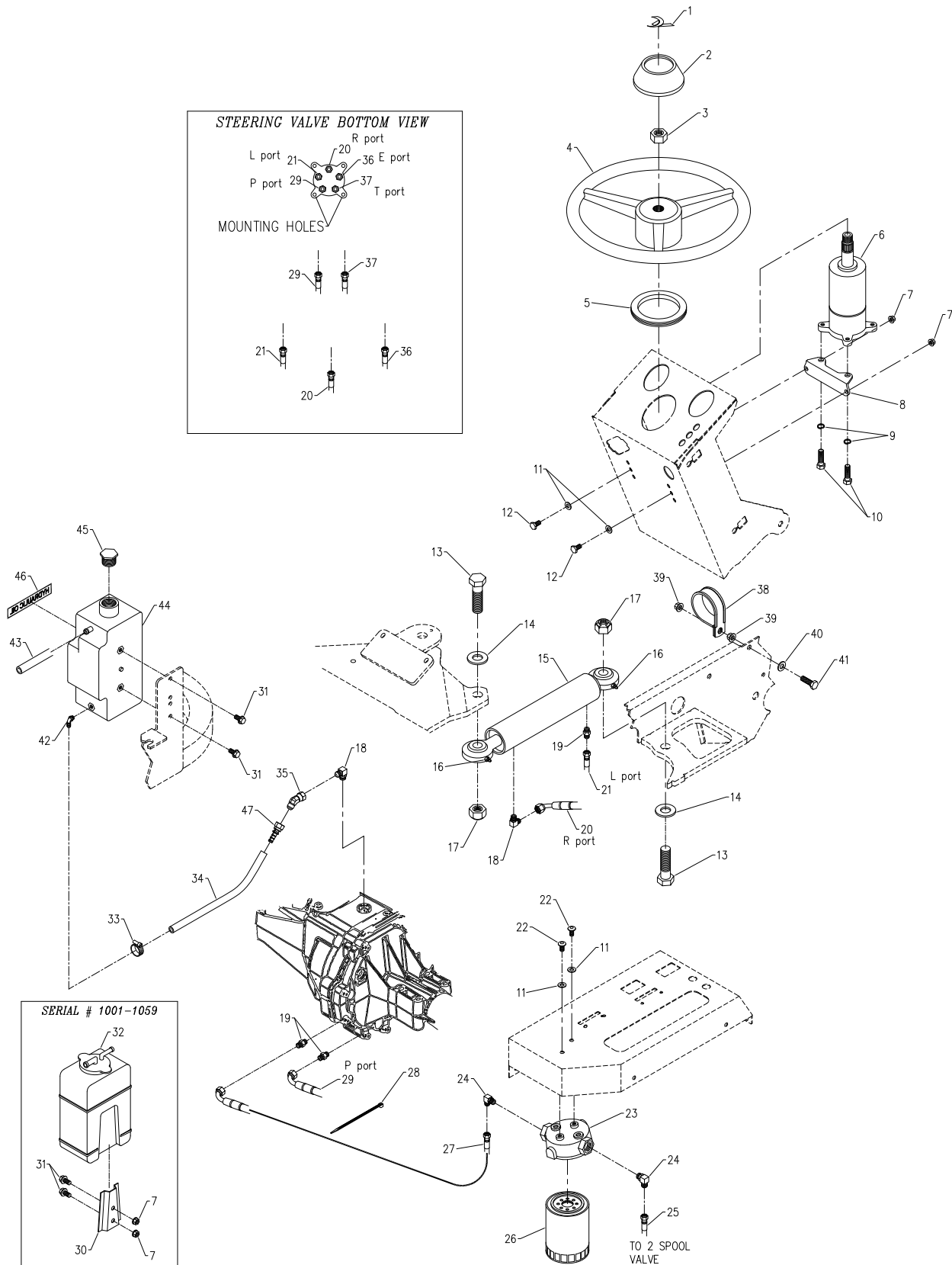
HYDRAULICS

HYDRAULIC DIAGRAM

REF.	PART NO.	DESCRIPTION	QTY.
1	27.P06-50IN	.HOSE, PUSHLOCK X 3/8 /FT X 50"	1
2	20.0242	.HOSE, ASM C 3/8 X 61" - 2500	1
3	20.0245	.HOSE, ASM C 3/8 X 29" - 2500	1
4	20.0244	.HOSE, ASM C 3/8 X 15" - 2500	1
5	20.0248	.HOSE, ASM C 1/4 X 27" - 2750	1
6	20.0212	.HOSE, ASM C 1/4 X 23"-2750	1
7	20.0247	.HOSE, ASM C 1/4 X 41" - 2750	1
8	20.0246	.HOSE, ASM C 1/4 X 31" - 2750	1
9	20.0213	.HOSE, ASM C 1/4 X 46"-2750	1
10	20.0243	.HOSE, ASM C 3/8 X 50" - 2500	1
11	20.0249	.HOSE, ASM C 1/4 X 13" - 2750	2

HYDRAULICS

ILLUSTRATED DRAWING HYDRAULIC STEERING & FILTER



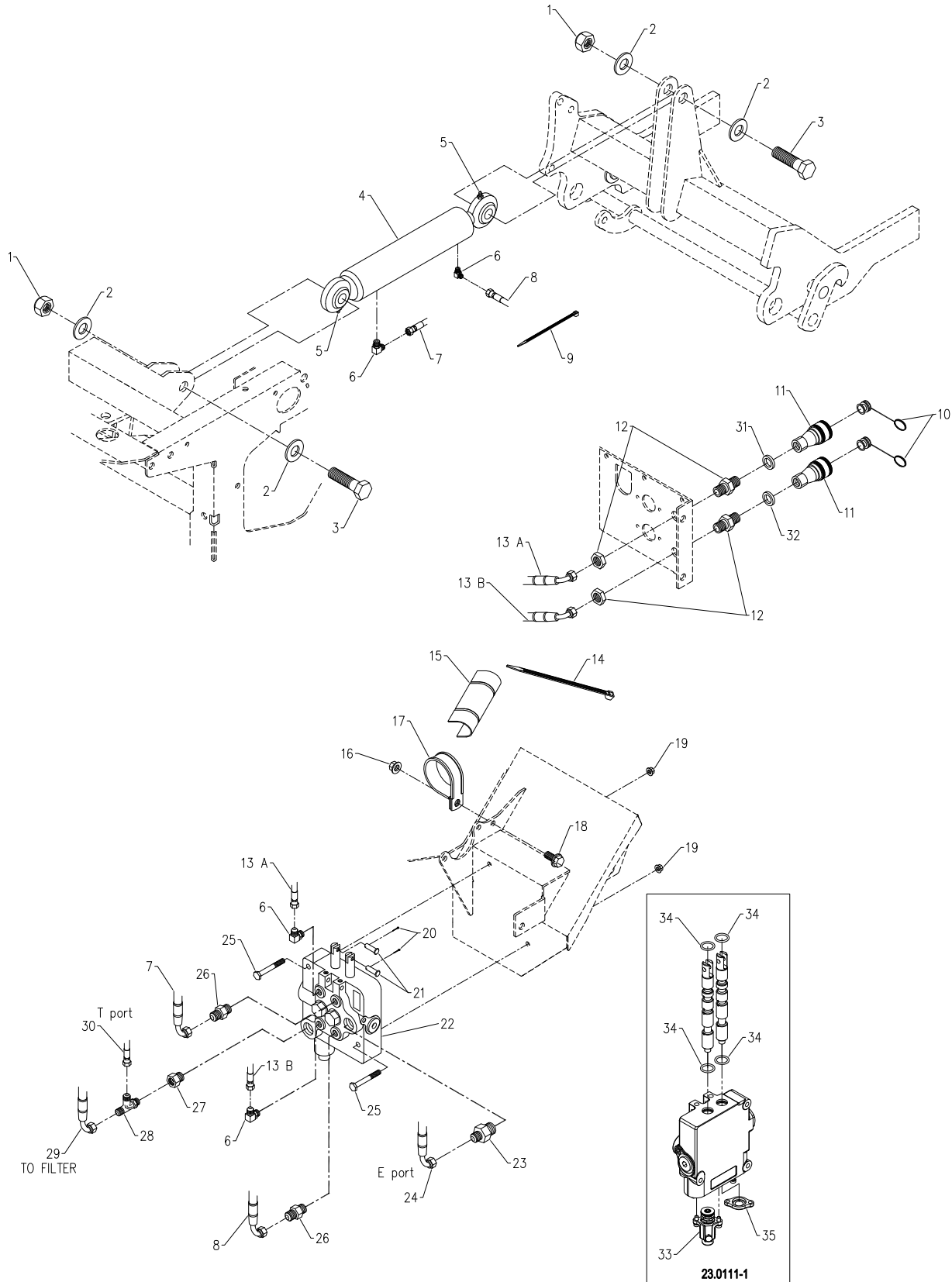
HYDRAULICS

HYDRAULIC STEERING & FILTER

REF.	PART NO.	DESCRIPTION	QTY.
1	00.0207	.DECAL, VENTRAC DOME	1
2	47.0118	.CAP, STEERING WHEEL	1
3	99.E0011	.NUT, JAM 5/8 SAE	1
4	47.0117	.STEERING WHEEL, 16MM X 40T	1
5	05.0080	.GROMMET, 2-3/4ID,3-5/8OD,5/16T	1
6	23.0113	.VALVE, STEERING-DANFOSS 100CC	1
6	89.0095	.KIT, SEAL 23.0113 STEER VALVE	1
7	99.SF04	.NUT, SF 1/4-20 USS	4
8	64.1262	.BRACKET, STEERING VALVE MOUNT	1
9	96.05	.WASHER, LOCK 5/16	2
10	99.M0009	.BOLT, M8 X 1.25 P X 25 MM LONG	2
11	95.04	.WASHER, FLAT 1/4 SAE	4
12	90.0404	.BOLT, 1/4-20 USS X 1/2	2
13	90.1018	.BOLT, 5/8-11 USS X 2 1/4	2
14	95.10	.WASHER, FLAT 5/8 SAE	2
15	23.0129	.CYLINDER, 1-1/2" X 8" STEERING	1
16	29.GF0001	.GREASE FTG, 1/4 SAE ST	2
17	99.A10	.LOCKNUT, STOVER 5/8-11 USS	2
18	25.6801-06-06	.FITTING, 90 ME 3/8 X 3/8	2
19	25.6400-06-06	.FITTING, M CONN 3/8 X 3/8	3
20	20.0247	.HOSE, ASM C 1/4 X 41 - 2750	1
21	20.0246	.HOSE, ASM C 1/4 X 31 - 2750	1
22	99.K0063	.BOLT, BUT HD SOCK SS 1/4 X 1/2	2
23	21.0115	.FILTER, HEAD 3/4" PORT SAE-8	1
24	25.6801-06-08	.FITTING, 90 ME 3/8 X 1/2	2
25	20.0244	.HOSE, ASM C 3/8 X 15 - 2500	1
26	21.0078	.FILTER, HYDRAULIC 10 MICRON	1
27	20.0245	.HOSE, ASM C 3/8 X 29 - 2500	1
28	30.0037	.TYTON TIE, #50 .18 X 8 BLACK	1
29	20.0242	.HOSE, ASM C 3/8 X 61 - 2500	1
30	64.0923	.MOUNT, WATER BOTTLE KT (Serial # 1001-1059)	1
31	99.SF0404	.BOLT, SF 1/4-20 X 1/2	2
32	47.0187	.TANK, PLASTIC COOLANT/HYD OIL (Serial # 1001-1059)	1
33	11.0038	.CLAMP, HOSE S/S 7/32 - 5/8	1
34	27.P06-50IN	.HOSE, PUSHLOCK X 3/8 /FT X 50"	1
35	25.6502-06-06	.FITTING, 45 MFE 3/8 X 3/8	1
36	20.0243	.HOSE, ASM C 3/8 X 50 - 2500	1
37	20.0213	.HOSE, ASM C 1/4 X 46"-2750	1
38	11.0065	.CLAMP, CUSHIONED METAL 2"	1
39	99.SF05	.NUT, SF 5/16-18 USS	2
40	95.05	.WASHER, FLAT 5/16 SAE	1
41	90.0508	.BOLT, 5/16-18 USS X 1	1
42	29.BF06MP0290-1	.FITTING, B. 3/8 BRB 1/8 NPT 90 (Serial # 1060-)	1
43	27.T06-2-20IN	.TUBE, PVC CLEAR 3/8 OD X 1/4 ID X 20" (Serial # 1060-)	1
44	47.0258	.TANK, COOLANT/HYDRAULIC OIL (Serial # 1060-)	1
45	05.0108	.PLUG, 3/4" NPT M, WHITE (Serial # 1060-)	1
46	00.0148	.DECAL, HYD. OIL 3-7/16 X 3/4 (Serial # 1060-)	1
47	27.P06FS06	.HOSE END, #6 F JIC 3/8 P.LOCK	1

HYDRAULICS

ILLUSTRATED DRAWING HYDRAULIC LIFT & VALVE



HYDRAULICS

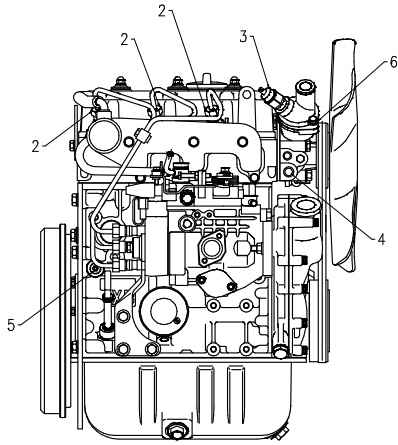
HYDRAULIC LIFT & VALVE

REF.	PART NO.	DESCRIPTION	QTY.
1	99.A10	.LOCKNUT, STOVER 5/8-11 USS	2
2	95.10	.WASHER, FLAT 5/8 SAE	4
3	90.1018	.BOLT, 5/8-11 USS X 2 1/4	2
4	23.0130	.CYLINDER, 1-1/2" X 5"	1
5	29.GF0001	.GREASE FTG, 1/4 SAE ST	2
6	25.6801-06-06	.FITTING, 90 ME 3/8 X 3/8	4
7	20.0248	.HOSE, ASM C 1/4 X 27 - 2750	1
8	20.0212	.HOSE, ASM C 1/4 X 23"-2750	1
9	30.0037	.TYTON TIE, #50 .18 X 8 BLACK	1
10	23.0126	.PLUG, NYLON FOR 23.0106	2
11	23.0106	.COUPLER, HYD. QUICK FEMALE 1/4	2
12	25.2706-04-06LN	.FITTING, BULKHEAD W/LOCKNUT	2
13	20.0249	.HOSE, ASM C 1/4 X 13 - 2750	2
14	30.0204	.TYTON TIE, #50 .190 X 12"	3
15	44.0224	.SLEEVE, HOSE PROTECTOR 6"	1
16	99.SF06	.NUT, SF 3/8-16 USS	1
17	11.0065	.CLAMP, CUSHIONED METAL 2"	1
18	99.SF0606	.BOLT, SF 3/8-16 USS X 3/4	1
19	99.SF04	.NUT, SF 1/4-20 USS	2
20	02.CP0204	.COTTER PIN, 1/16 X 1/2	2
21	03.0406	.CLEVIS PIN, 1/4 X 3/4	2
22	23.0111-1	.VALVE, HY 2 SPL W/LH FLT,RH SP	1
23	25.6400-06-08	.FITTING, M CONN 3/8 X 1/2	1
24	20.0243	.HOSE, ASM C 3/8 X 50 - 2500	1
25	90.0416	.BOLT, 1/4-20 USS X 2	2
26	25.6400-06-06	.FITTING, M CONN 3/8 X 3/8	2
27	25.6410-08-06	.FITTING, M/F O-RING 1/2 X 3/8	1
28	25.6804-6-6-6	.FITTING, M TEE 3/8 X 3/8 X 3/8	1
29	20.0244	.HOSE, ASM C 3/8 X 15 - 2500	1
30	20.0213	.HOSE, ASM C 1/4 X 46"-2750	1
31	05.0117	.WASHER, .544ID X .817 X.14 YEL	1
32	05.0116	.WASHER, .544ID X .817 X.14 RED	1
33	23.0111-7	.KIT, SPOOL FLOAT HYD. VALVE	1
34	26.0027	.O-RING, 5/8ID X 13/16OD X 3/32	4
35	23.0111-8	.CAP, VALVE	1

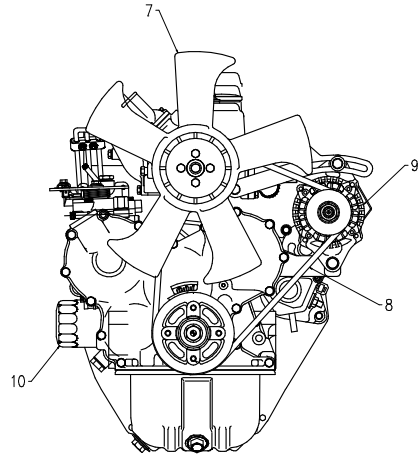
ENGINE

ILLUSTRATED DRAWING ENGINE

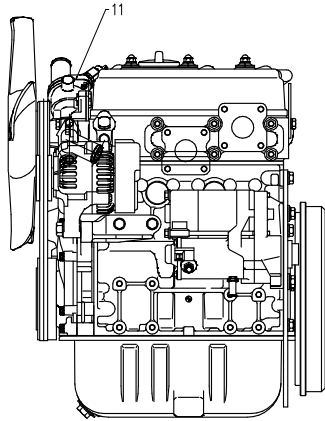
LEFT SIDE VIEW



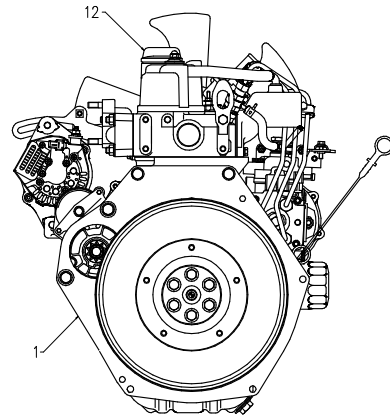
REAR VIEW



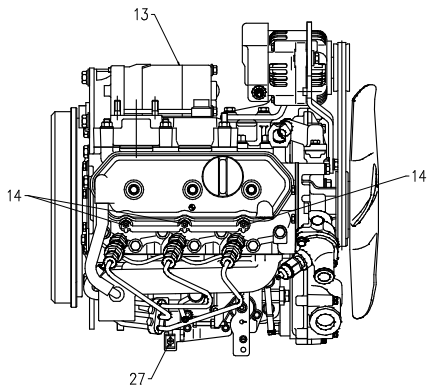
RIGHT SIDE VIEW



FRONT VIEW



TOP VIEW



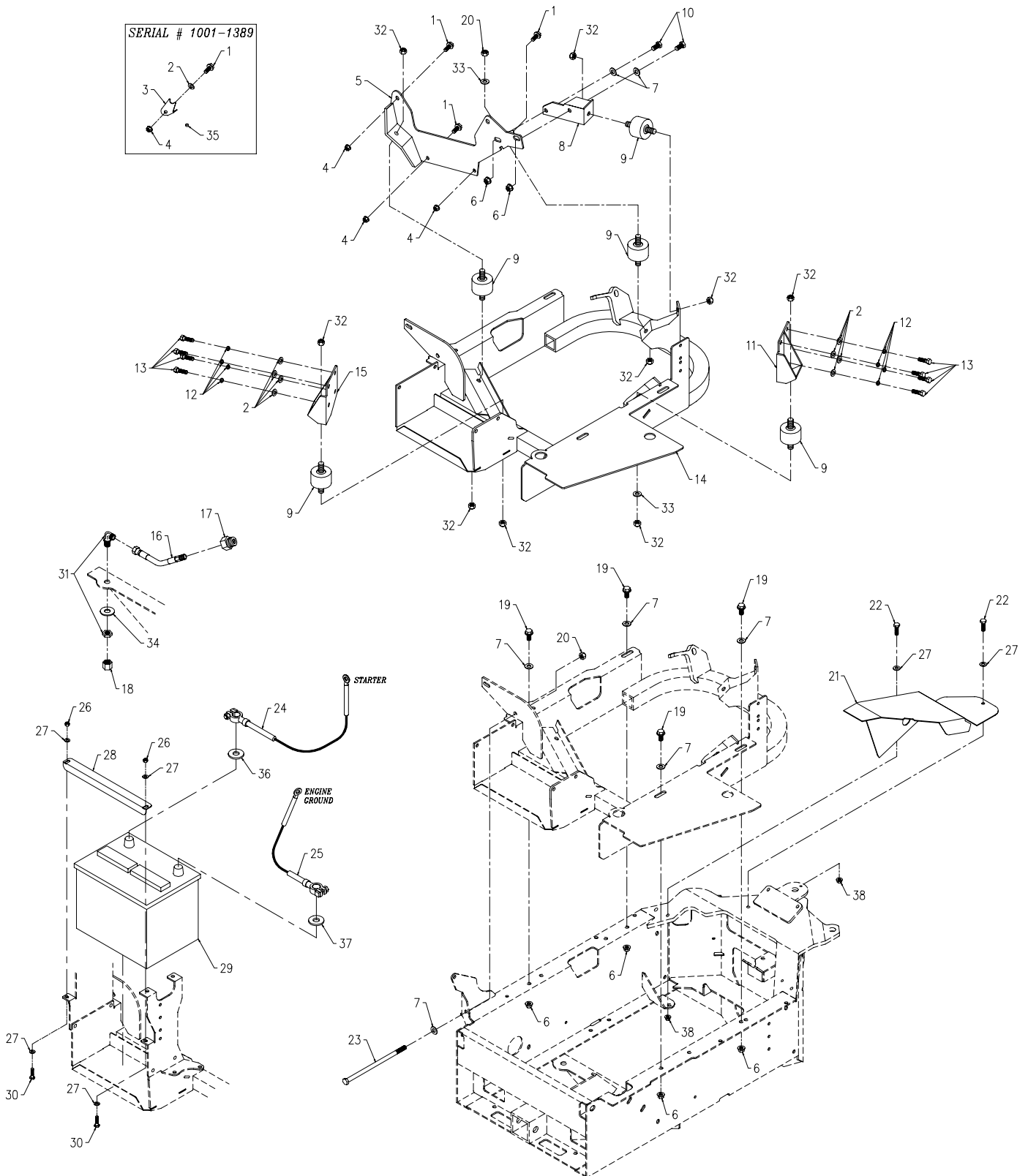
ENGINE

ENGINE

REF.	PART NO.	DESCRIPTION	QTY.
1	13.0056	ENGINE, VANG 23.6 HP LIQ COOL	1
2	13.825178	.INJECTOR.	3
3	13.820208	.SWITCH, WATER TEMP	1
4	13.0075	.SENDING UNIT, TEMP 250 DEG.	1
5	13.825000	.SWITCH, OIL PRESSURE.	1
6	13.0160	.THERMOSTAT, & GASKET VANGUARD	1
7	13.0154	.FAN, VANGUARD LARGE 12-1/2"	1
8	81.0133	.BELT, FAN VANG GAS & DIESEL	1
9	13.0167	.ALTERNATOR, VANGUARD	1
	13.825388	.REGULATOR, 40 AMP	1
10	13.0057	.FILTER, ENGINE OIL-VANGUARD.	1
11	13.825265	.PUMP, WATER	1
12	13.0165	.CAP, OIL FILL VANGUARD	1
13	13.825700	.STARTER, 1.2 KW	1
	13.825406	.STARTER, BENDIX 1.2 KW	1
14	13.0067	.GLOW PLUG, VANGUARD DIESEL.	3
15	13.821073	.SEAL, OIL PTO DIESEL.	1
16	13.821071	.SEAL, MAG OIL	1
17	13.821069	.PLUG, CAMSHAFT.	1
18	13.820137	.GASKET, SUMP	1
19	13.820093	.GASKET, THERMOSTAT	1
20	13.825315	.GASKET, OVERHAUL SET	1
21	13.820620	.GASKET, HEAD	1
22	13.825316	.GASKET, VALVE COVER SET	1
23	13.820150	.GASKET, VALVE COVER.	1
24	13.820293	.MANUAL, ENGINE 23.6 DIESEL	1
25	13.0164	.MANIFOLD, EXHAUST KIT 950D	1
26	30.0321	.INSULATOR, ALTERNATOR POST	1
27	45.0050	.CLAMP, CABLE CONDUIT (Serial # 1001-2230).	1
27	45.0052	.CLAMP, 3/16 CABLE CONDUIT (Serial # 2231-).	1

ENGINE

ILLUSTRATED DRAWING ENGINE MOUNT



ENGINE

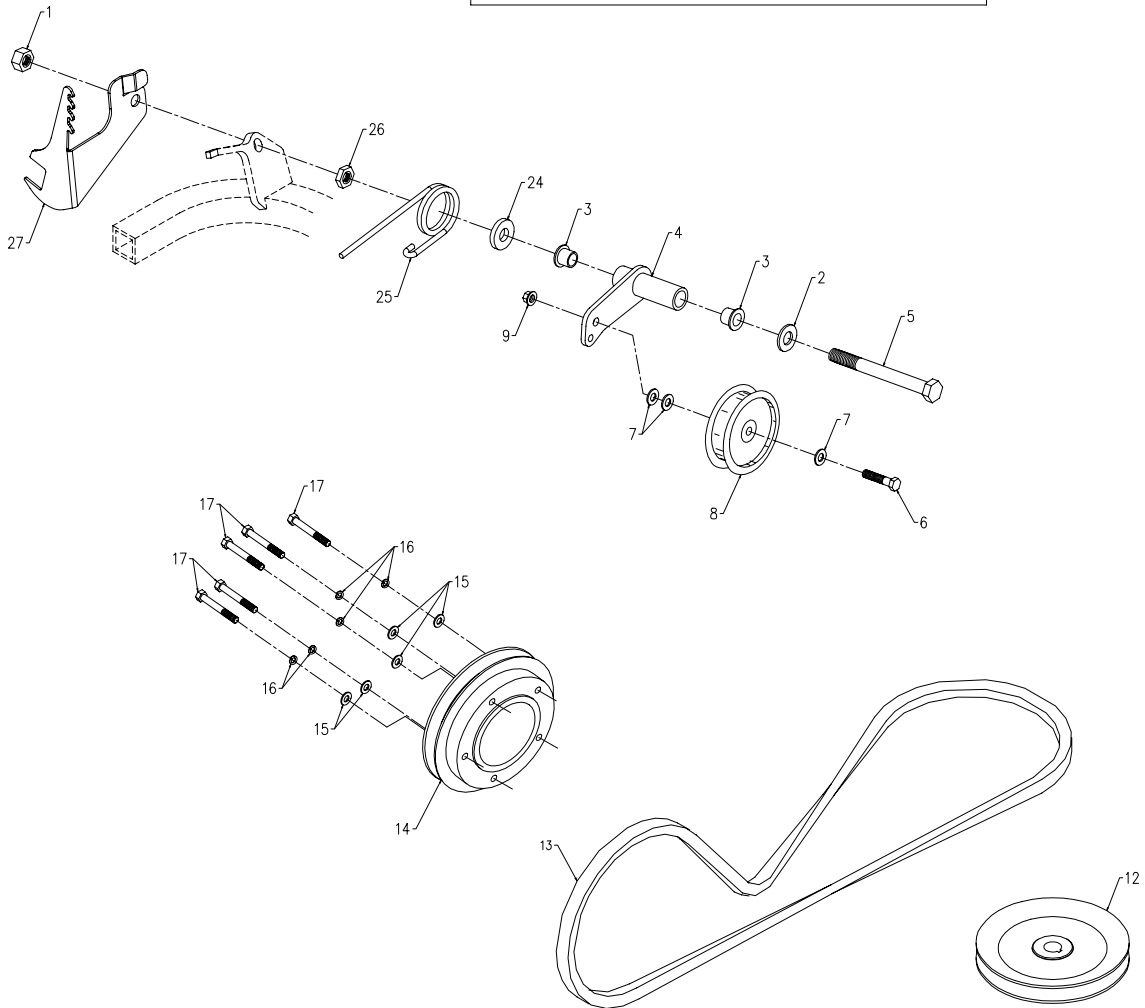
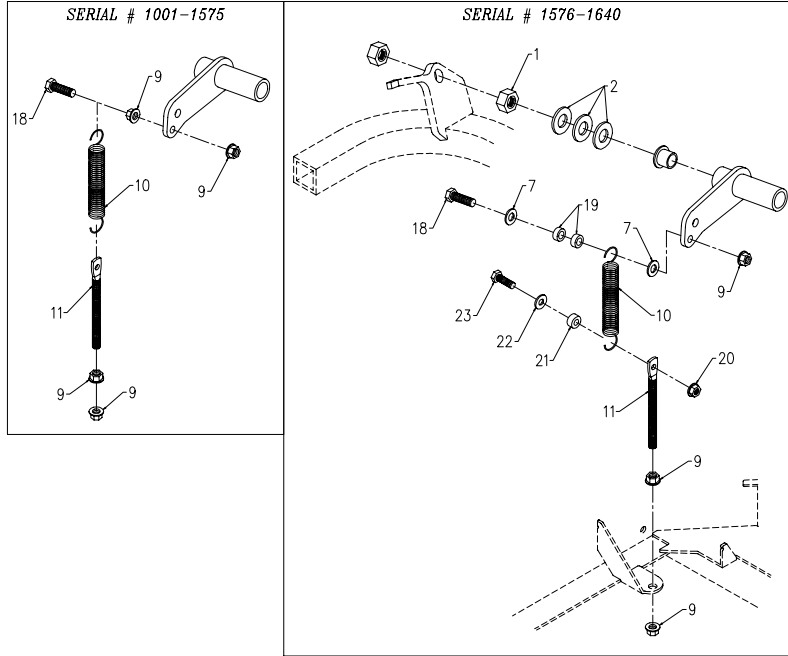
ENGINE MOUNT

REF.	PART NO.	DESCRIPTION	QTY.
1	99.SF0506	.BOLT, SF 5/16-18 USS X 3/4	3
2	95.05	.WASHER, FLAT 5/16 SAE	8
3	64.1305	.BRACKET, TACH PICK UP (Serial # 1001-1389)*	1
4	99.SF05	.NUT, SF 5/16-18 USS	3
5	62.1270	.MOUNT, ENGINE ISOLATOR	1
6	99.SF06	.NUT, SF 3/8-16 USS	6
7	95.06	.WASHER, FLAT 3/8 SAE	7
8	62.1269	.MOUNT, ENGINE ISOLATOR	1
9	05.0048	.ISOLATOR, 3/8-16 X 1.5 OD X 1	5
10	90.0606	.BOLT, 3/8-16 USS X 3/4	2
11	62.1272	.MOUNT, ENGINE MOUNT	1
12	96.05	.WASHER, LOCK 5/16	8
13	99.M0005	.BOLT, M8 X 1.25 X 20	8
14	62.1265	.FRAME, ENGINE 23.6 DIESEL	1
15	62.1271	.MOUNT, ENGINE MOUNT	1
16	22.0027	.HOSE, ASM X 8" 3/8 PLOCK	1
17	14.0015	.ADAPTER, ENG OIL DRAIN PLUG	1
18	25.304-C-06	.FITTING, CAP 3/8 #6 JIC	1
19	99.SF0606	.BOLT, SF 3/8-16 USS X 3/4	4
20	99.A06	.LOCKNUT, STOVER 3/8-16 USS	2
21	60.0987	.COVER, ENGINE DRIVE BELT	1
22	90.0508	.BOLT, 5/16-18 USS X 1	2
23	90.0664	.BOLT, 3/8-16 USS X 8	1
24	32.0081	.CABLE, ASM POS BATTERY 43"	1
25	32.0065	.CABLE, ASM NEG BATTERY 19" 4GA	1
26	99.A04	.LOCKNUT, STOVER 1/4-20 USS	2
27	95.04	.WASHER, FLAT 1/4 SAE	6
28	64.1291	.CLAMP, BATTERY	1
29	33.0030	.BATTERY, HARRIS	1
30	90.0408	.BOLT, 1/4-20 USS X 1	2
31	25.2701-06-06LN	.FITTING, BULKHEAD 3/8 W/LN 90	1
32	99.A06N	.LOCKNUT, NYLON 3/8-16	9
33	94.06	.WASHER, FLAT 3/8 USS	2
34	94.08	.WASHER, FLAT 1/2 USS	1
35	47.0276	.MAGNET, TACH SENSOR	1
36	05.0121	.WASHER, ANTI CORROSION RED	1
37	05.0122	.WASHER, ANTI CORROSION BLACK	1
38	99.SF04	.NUT, SRF 1/4-20 USS	2

*Tach pick up bracket location changed for serial number 1390-. See page 33 for new bracket.

ENGINE

ILLUSTRATED DRAWING ENGINE DRIVE



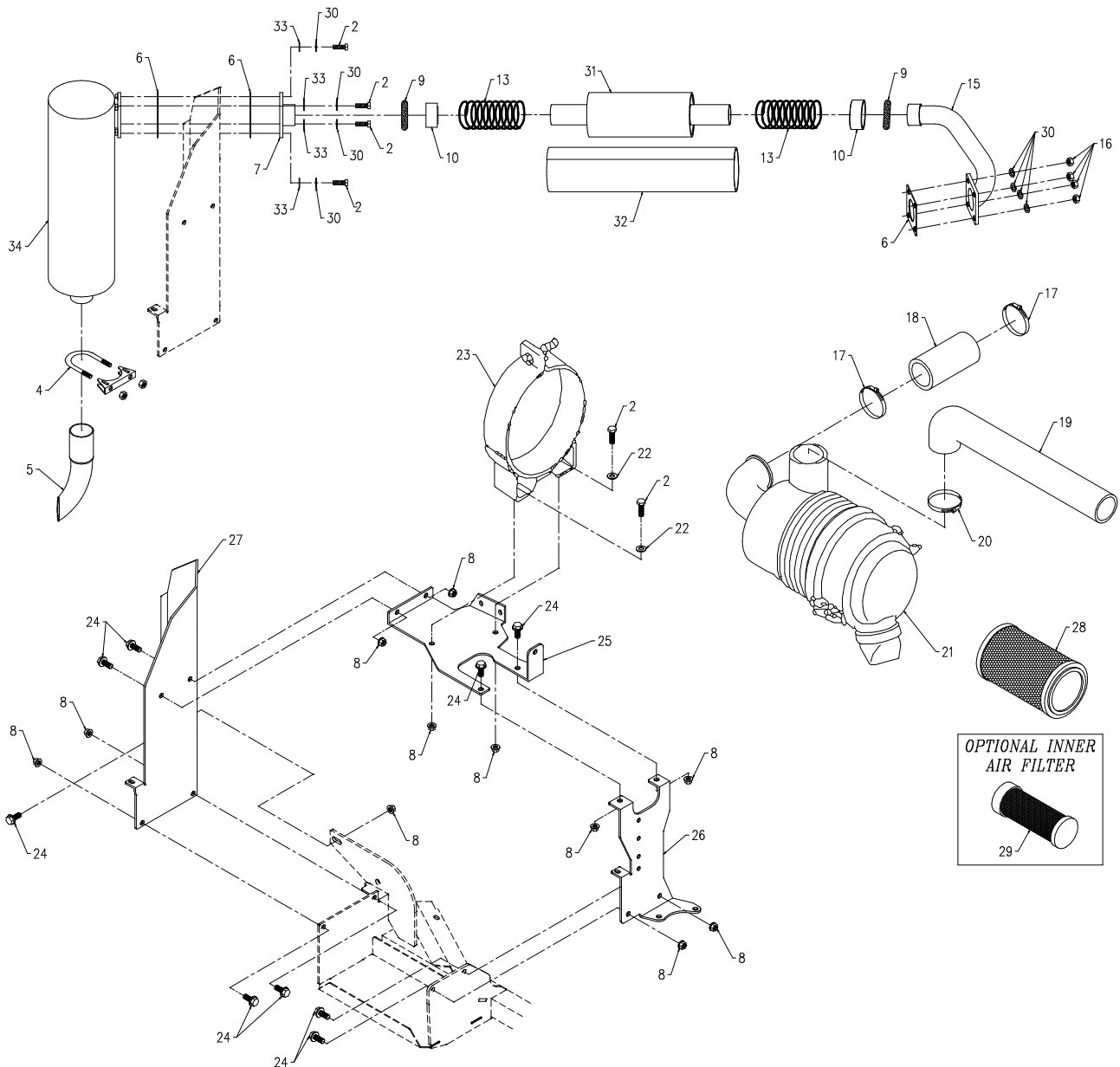
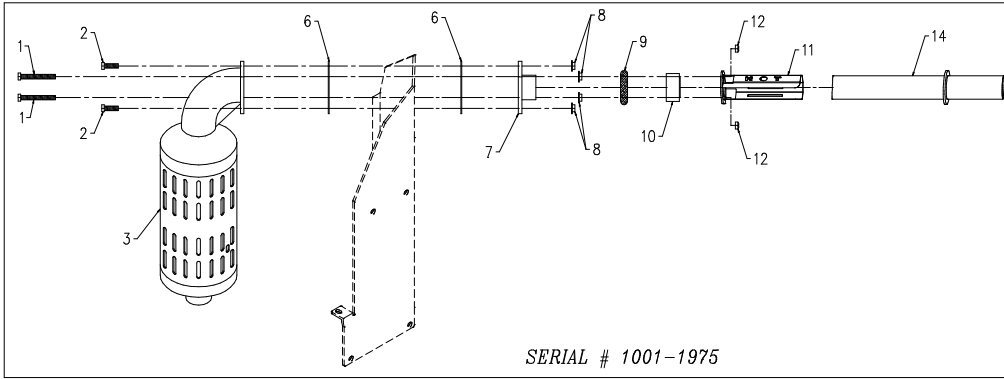
ENGINE

ENGINE DRIVE

REF.	PART NO.	DESCRIPTION	QTY.
1	92.10	.NUT, 5/8-11 USS	1
2	95.10	.WASHER, FLAT 5/8 SAE	1
3	85.B0065	.BUSHING, 5/8 ID X 13/16 OD	2
4	40.0346	.IDLER ARM, DRIVE BELT ENGINE	1
5	90.1048	.BOLT, 5/8-11 USS X 6	1
6	90.0614	.BOLT, 3/8-16 USS X 1 3/4	1
7	95.06	.WASHER, FLAT 3/8 SAE	2
8	83.0037	.PULLEY, IDLER FLAT 4" X 3/8	1
9	99.SF06	.NUT, SF 3/8-16 USS	1
10	41.0048	.SPRING, EXT. 1 OD X 6 (Serial # 1001-1640)	1
11	99.K0094	.BOLT, HANGER 3/8-16 X 4-1/4 (Serial # 1001-1640)	1
12	83.0052	.PULLEY, 7-13/16 25 MM STR BORE	1
13	81.B062	.BELT, B62	1
14	83.0053	.PULLEY, 7-1/2", 4.171 BORE	1
15	95.05	.WASHER, FLAT 5/16 SAE	5
16	96.05	.WASHER, LOCK 5/16	5
17	99.M0018	.BOLT, M8 X 1.25 X 60MM	5
18	90.0610	.BOLT, 3/8-16 USS X 1 1/4 (Serial # 1001-1640)	1
19	64.0602	.BUSHING, 3/8 X 5/8 X .265 (Serial # 1576-1640)	2
20	99.SF05	.NUT, SF 5/16-18 USS (Serial # 1576-1640)	1
21	85.SC05	.SET COLLAR, 5/16" (Serial # 1576-1640)	1
22	94.04	.WASHER, FLAT 1/4 USS (Serial # 1576-1640)	1
23	90.0508	.BOLT, 5/16-18 USS X 1 (Serial # 1576-1640)	1
24	99.B0101	.WASHER, .656IDX 1.500D X 1/4T (Serial # 1640-)	1
25	41.0100	.SPRING, TORSION 1-5/8 X 6-1/2 (Serial # 1640-)	1
26	99.E0076	.NUT, JAM 5/8-11 USS (Serial # 1640-)	1
27	64.1512	.BRACKET, SPRING MOUNT (Serial # 1640-)	1

ENGINE

ILLUSTRATED DRAWING AIR INTAKE & EXHAUST



ENGINE

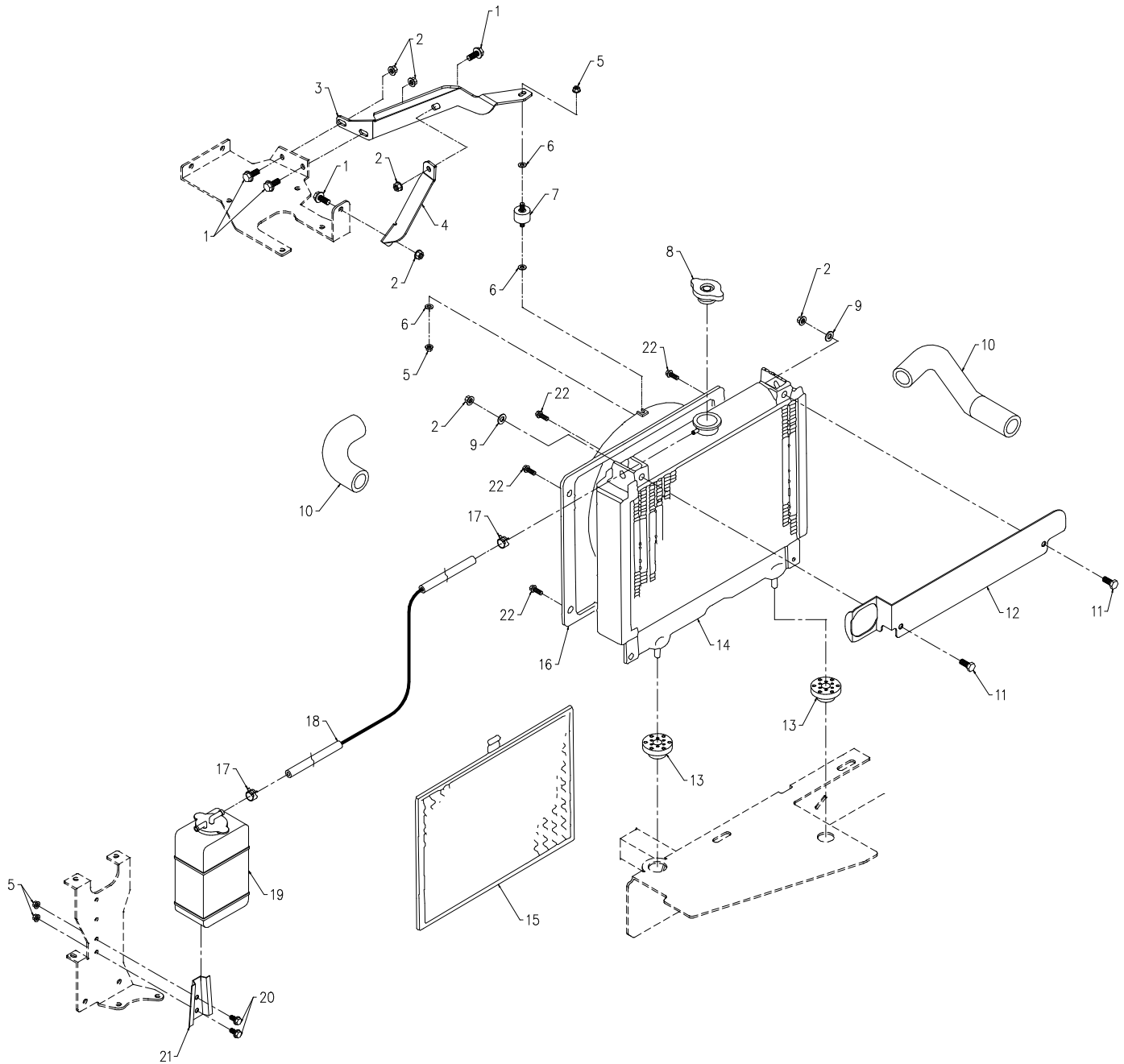
AIR INTAKE & EXHAUST

REF.	PART NO.	DESCRIPTION	QTY.
1	90.0520-2	.BOLT, 5/16-18 X 2-1/2 ALL THRD (Serial # 1001-1975)	2
2	90.0508	.BOLT, 5/16-18 USS X 1	6
3	13.0217	.MUFFLER, EXHAUST FOR 13.0056 (Serial # 1001-1975)	1
4	11.0039	.CLAMP, EXH. 5/16 X 1 1/2 ASM.	1
5	13.0223	.TUBE, EXHAUST PIPE 7-5/8	1
6	13.0173	.GASKET, EXHAUST/MUFFLER VANG	3
7	64.1296	.EXHAUST, MUFFLER TUBE	1
8	99.SF05	.NUT, SF 5/16-18 USS	15
9	06.0052-6IN	.PACKING, 1/4 FIBERGLAS KNITTED X 6"	2
10	14.0018	.CONNECTOR, EXHAUST COLLAR	2
11	60.1049	.SHIELD, EXHAUST LE3200 (Serial # 1001-1975)	1
12	99.A05	.LOCKNUT, STOVER 5/16-18 USS (Serial # 1001-1975)	2
13	41.0069	.SPRING, EXHAUST HIGH TEMP SS (Serial # 1001-1975)	1
13	41.0069	.SPRING, EXHAUST HIGH TEMP SS (Serial # 1976-)	2
14	13.0224	.TUBE, FLOATING EXHAUST (Serial # 1001-1975)	1
15	64.1301	.EXHAUST, MANIFOLD TUBE	1
16	13.0166	.LOCKNUT, EXHAUST 8 MM	4
17	11.0044	.CLAMP, HOSE S/S 1-9/16- 2-1/2	2
18	13.0225	.HOSE, AIR FILTER OUTLET	1
19	14.0027	.HOSE, AIR FILTER INLET	1
20	11.0043	.CLAMP, HOSE S/S 1-5/16 - 2-1/4	1
21	13.0218	.FILTER, AIR	1
22	95.05	.WASHER, FLAT 5/16 SAE	2
23	13.0219	.CLAMP, AIR FILTER	1
24	99.SF0506	.BOLT, SF 5/16-18 USS X 3/4	9
25	64.1284	.BRACKET, AIR FILTER	1
26	64.1287	.BRACKET, FUEL FILTER	1
27	64.1278	.MOUNT, MUFFLER	1
28	13.0226	.FILTER, AIR OUTER ELEMENT	1
29	13.0227**	.FILTER, AIR - INNER ELEMENT**	1
30	96.05	.WASHER, LOCK 5/16	8
31	13.0237	.MUFFLER, 3200 CROSSTUBE EX (Serial # 1976-)	1
32	44.0299	.INSULATION, 3" DIA EXH, 11" L (Serial # 1976-)	1
33	95.05	.WASHER, FLAT 5/16 SAE (Serial # 1976-)	4
34	13.0235	.MUFFLER, 3200 EX. CONDITIONER (Serial # 1976-)	1

** Optional inner element.

ENGINE

ILLUSTRATED DRAWING COOLING SYSTEM



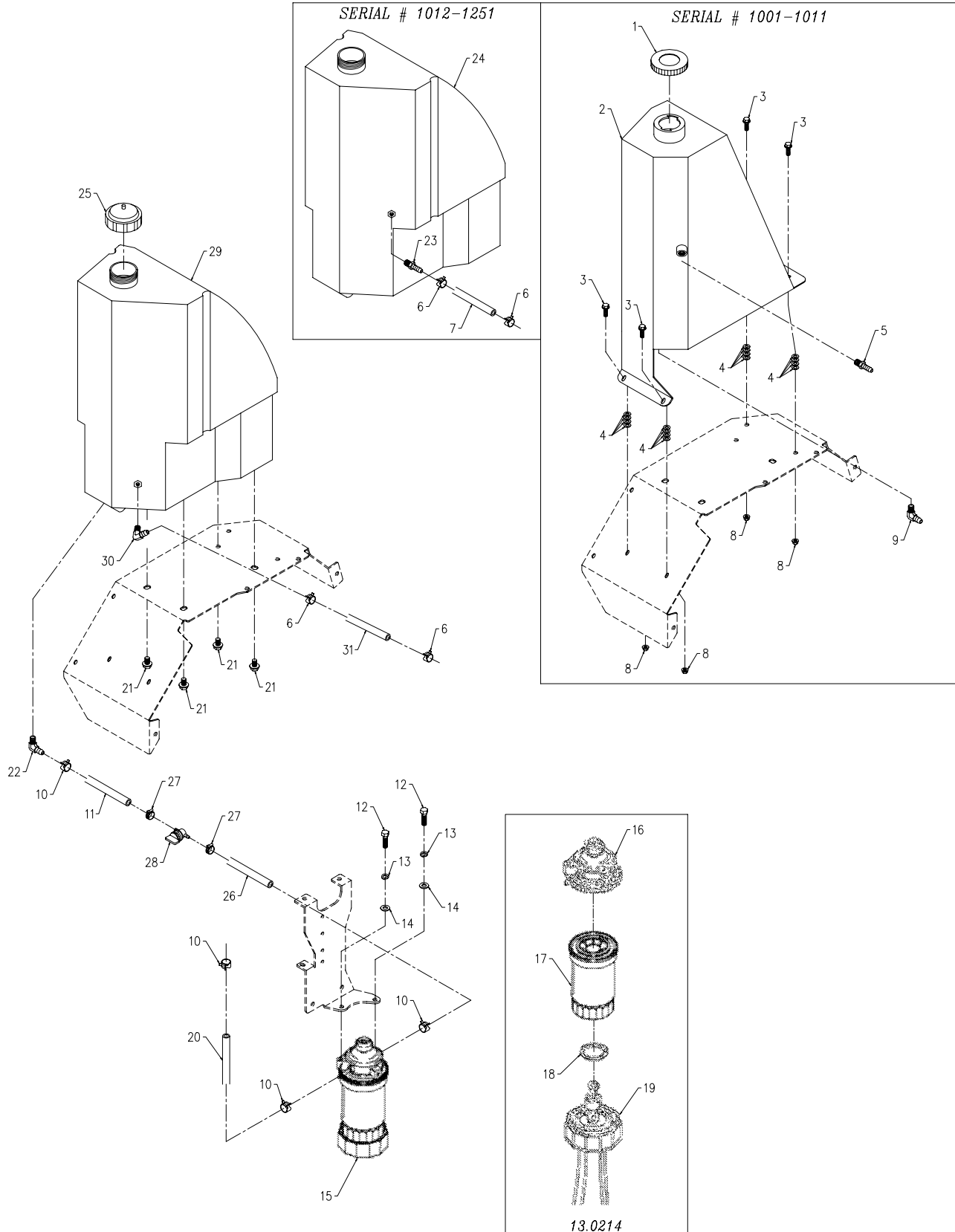
ENGINE

COOLING SYSTEM

REF.	PART NO.	DESCRIPTION	QTY.
1	99.SF0506	.BOLT, SF 5/16-18 USS X 3/4	4
2	99.SF05	.NUT, SF 5/16-18 USS	6
3	64.1289	.BRACKET, RADIATOR BRACE (Serial # 1001-1959)	1
3	64.1657	.BRACKET, RADIATOR BRACE (Serial # 1960-)	1
4	64.1288	.BRACKET, RADIATOR SUPPORT (Serial # 1001-1959)	1
4	64.1656	.BRACKET, RADIATOR SUPPORT (Serial # 1960-)	1
5	99.SF04	.NUT, SF 1/4-20 USS	4
6	94.04	.WASHER, FLAT 1/4 USS	3
7	05.0051	.ISOLATOR, 1/4-20 X 1/2 X 1	1
8	47.0204	.CAP, RADIATOR VANG. 13#	1
9	95.05	.WASHER, FLAT 5/16 SAE	2
10	13.0216	.HOSE, RADIATOR 47.0251 UP&LOW	1
11	90.0506	.BOLT, 5/16-18 USS X 3/4	2
12	64.1302	.BRACKET, AIR CLEANER HOSE	1
13	05.0107	.ISOLATOR, 9/16 ID X 1-29/32 OD	2
14	47.0251	.RADIATOR, VANGUARD 23.6HP	1
15	47.0252	.SCREEN, RADIATOR FOR 47.0251	1
16	13.0215	.SHROUD, RADIATOR 47.0251	1
17	11.0049	.CLAMP, HOSE-BAND 1/2 OD HOSE	2
18	27.A04-15IN	.HOSE, NEOP BLACK 1/4 X 7/16 X 15"	1
19	47.0187	.TANK, COOLANT RECOVERY	1
20	99.SF0404	.BOLT, SF 1/4-20 X 1/2	2
21	64.0923	.MOUNT, WATER BOTTLE KT	1
22	99.M0002	.BOLT, M6 X 1.00 X 16 ZP	4

ENGINE

ILLUSTRATED DRAWING FUEL SYSTEM



ENGINE

FUEL SYSTEM

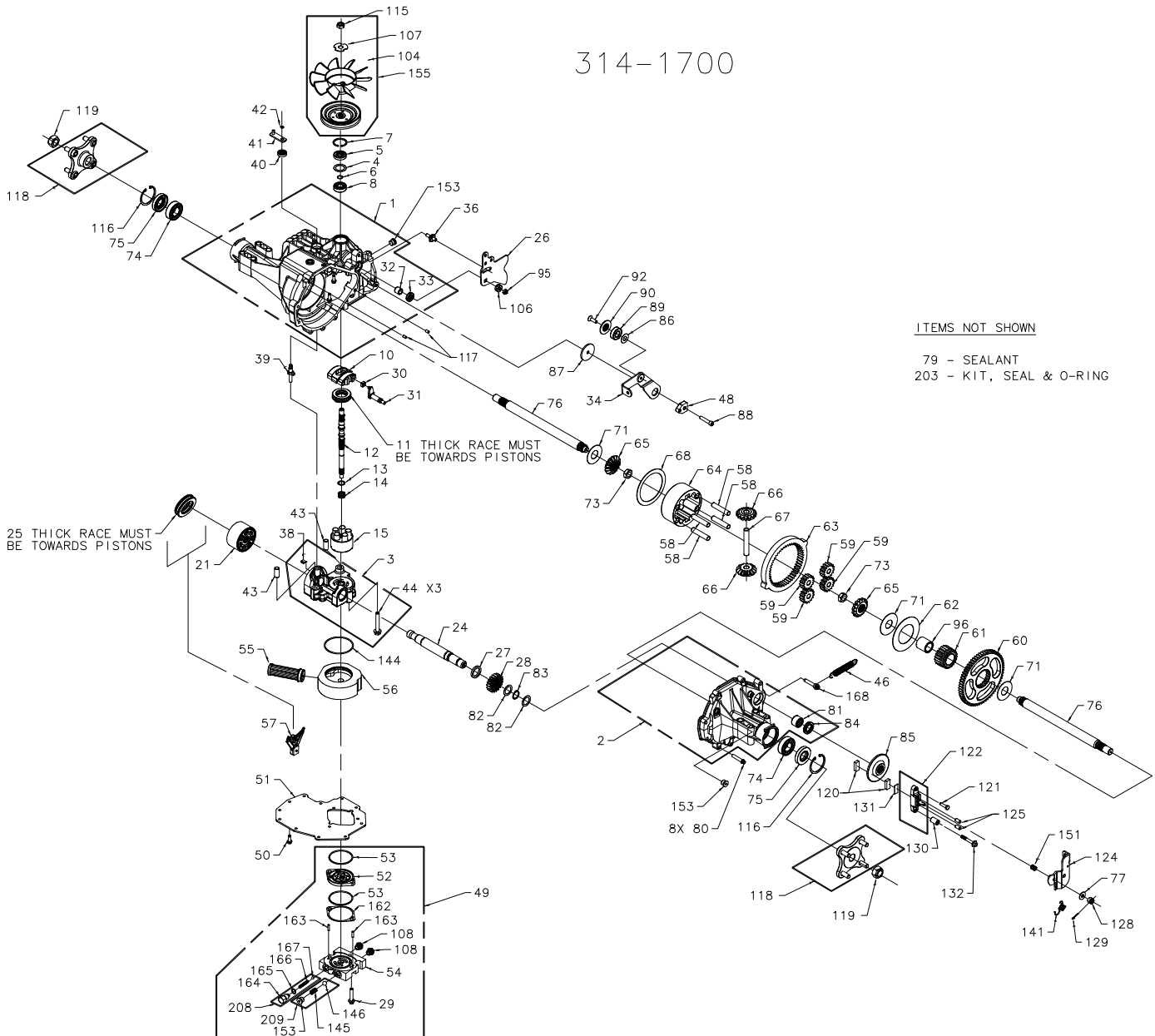
REF.	PART NO.	DESCRIPTION	QTY.
1	47.0256	.CAP, FILL 2" VENTED (Serial # 1001-1011)	1
2	64.1297	.TANK, FUEL (Serial # 1001-1011)	1
3	99.SF0406	.BOLT, SF 1/4-20 X 3/4	4
4	94.04	.WASHER, FLAT 1/4 USS	16*
5	29.BF04MP04	.FITTING B. 1/4 BARB 1/4 NPT ST (Serial # 1001-1011)	1
6	11.0049	.CLAMP, HOSE-BAND 1/2 OD HOSE	2
7	27.F04-10.5IN	.HOSE, FUEL LINE X 1/4 /FT X 10-1/2" (Serial # 1001-1251)	1
8	99.SF04	.NUT, SF 1/4-20 USS (Serial # 1001-1011)	4
9	29.BF05MP0490	.FITTING B. 5/16 BRB 1/4 NPT 90 (Serial # 1001-1011)	1
10	11.0048	.CLAMP, HOSE-BAND 9/16 OD HOSE	4
11	27.F05-27IN	.HOSE, FUEL LINE X 5/16 /FT X 27" (Serial # 1001-1227)	1
11	27.F05-4IN	.HOSE, FUEL LINE X 5/16 /FT X 4" (Serial # 1228-)	1
12	99.M0005	.BOLT, M8 X 1.25 X 20	2
13	96.05	.WASHER, LOCK 5/16	2
14	95.05	.WASHER, FLAT 5/16 SAE	2
15	13.0214	.PUMP, FUEL WITH FILTER	1
16	13.820344	.FILTER, FUEL COVER	1
17	13.820311	.FILTER, FUEL MAIN	1
18	13.820348	.SEAL- ORING FUEL FILTER SENSOR	1
19	13.820347	.SENSOR, FUEL FILTER	1
20	27.F05-30IN	.HOSE, FUEL LINE X 5/16 /FT X 30"	1
21	99.SF0504	.BOLT, SF 5/16-18USS X 1/2	4
22	29.BF05MP0290-1	.FITTING B. 5/16 BRB 1/8 NPT 90 (Serial # 1012-)	1
23	29.BF04MP02-1	.FITTING B. 1/4 BARB 1/8 NPT ST (Serial # 1012-1251)	1
24	47.0257	.TANK, FUEL 5 GAL LE31/3200 (Serial # 1012-1251)	1
25	47.0148	.CAP, GAS 2-1/4" HOODED VENT (Serial # 1012-)	1
26	27.F05-23IN	.HOSE, FUEL LINE X 5/16 /FT X 23" (Serial # 1228-)	1
27	11.0038	.CLAMP, HOSE S/S 7/32 - 5/8 (Serial # 1228-)	2
28	47.0265	.VALVE, FUEL SHUT-OFF (Serial # 1228-)	1
29	47.0266	.TANK, FUEL 6 GAL LE31/3200 (Serial # 1252-)	1
30	29.BF04MP0290-1	.FITTING B. 1/4 BRB 1/8 NPT 90 (Serial # 1252-)	1
31	27.F04-14.5IN	.HOSE, FUEL LINE X 1/4 /FT X 14-1/2" (Serial # 1252-)	1

*As required

AXLES & DRIVES

ILLUSTRATED DRAWING FRONT AXLE

314-1700



AXLES & DRIVES

FRONT AXLE

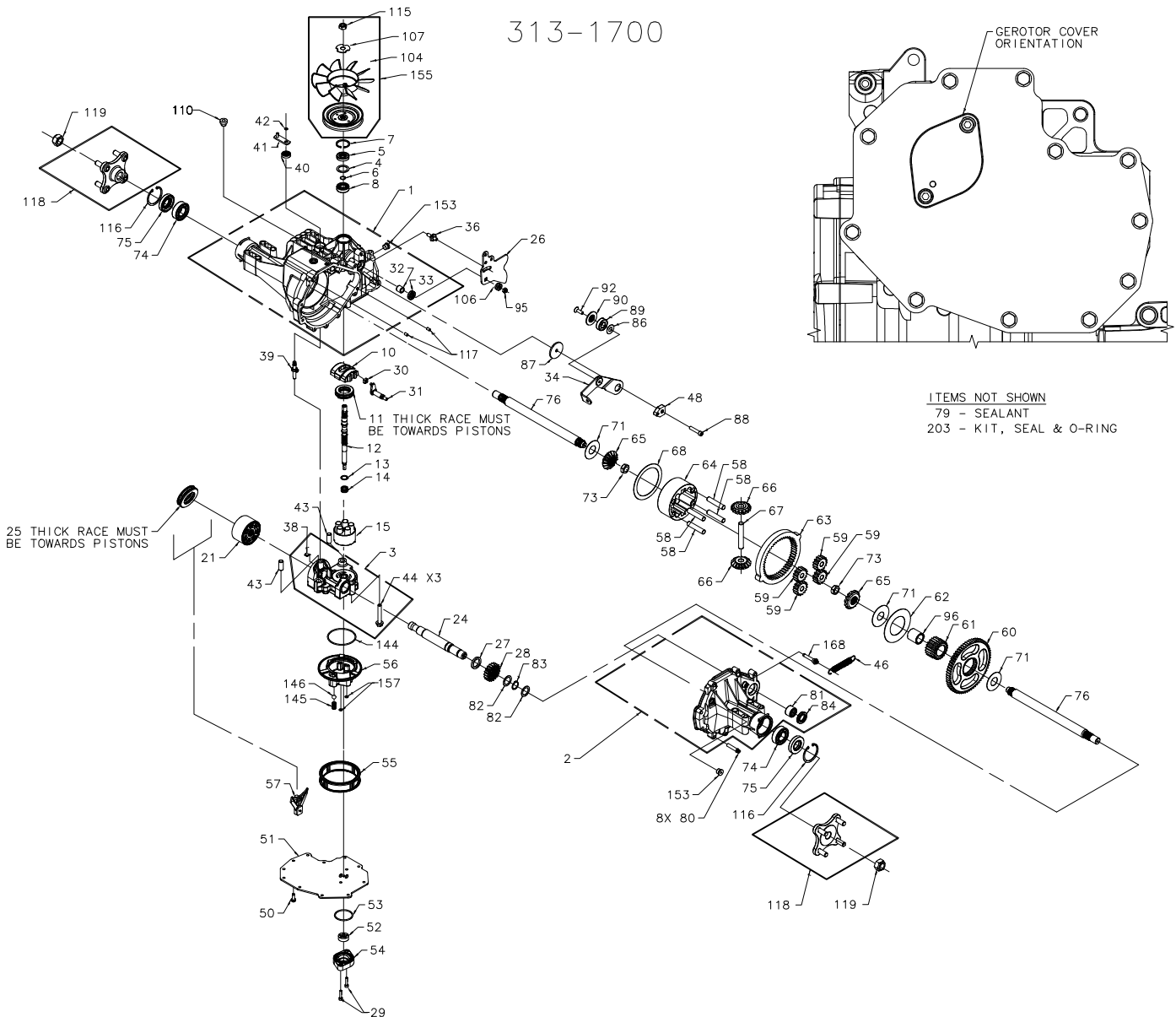
REF.	PART NO.	DESCRIPTION	QTY.
4	51.0079	.SPACER, .98 X 1.37 X .04	1
6	04.0038	.RING SET, 59 EXT WIRE	1
12	51.0077	.SHAFT, INPUT AUX	1
13	51.0078	.WASHER, THRUST .59 X .79 X .04	1
38	51.0035	.PLATE, BYPASS	1
41	51.0036	.ARM, BYPASS	1
44	51.0037	.SCREW, 3/8-24 X 2.5	3
49	51.0054	.KIT, MANIFOLD AUXILIARY	1
51	51.0080	.PLATE, AUX COVER	1
53	26.0022	.O-RING, .103 X 2.425	2
55	51.0057	.FILTER, FRONT TRANSAXLE LT3000	1
56	51.0083	.MANIFOLD, CHARGE	1
74	55.0056	.BEARING, 1" X 52MM X 15MM	2
75	89.0068	.SEAL, LIP 25MM X 52MM X 10MM	2
76	51.0039	.SHAFT, AXLE	2
79	51.0040	.SEALANT	1
80	51.0041	.SCREW, TORX HEAD 5/16-18	8
84	89.0070	.SEAL, LIP .875 X 1.38 X .25	1
85	53.0147	.DISC, BRAKE	1
104	51.0043	.FAN (Serial # 1001-1924)	1
104	51.0066	.FAN, LH TRANSAXLES (Serial # 1925-)	1
118	51.0046	.HUB ASSEMBLY	2
119	99.A12NF	.LOCKNUT, STOVER 3/4-16 SAE	2
120	53.0145	.PAD, BRAKE DISC	2
131	53.0146	.PLATE, BRAKE DISC PAD	1
153	51.0068	.PLUG, 9/16-18 METAL	3
155	51.0048	.KIT, FAN/PULLEY ASSEMBLY (Serial # 1001-1924)	1
155	51.0067	.KIT, FAN/PULLEY(Serial # 1925-)	1
162	51.0052	.SHIM	1
166	51.0081	.SPRING, RELIEF HYDROGEAR	1
203	51.0049	.KIT, SEAL	1
210	51.0061	.TRANSAXLE, FRONT HIGH SPEED	1

Listed items are stocked. Check availability of unlisted parts.

AXLES & DRIVES

ILLUSTRATED DRAWING REAR AXLE

313-1700



AXLES & DRIVES

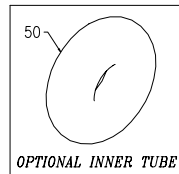
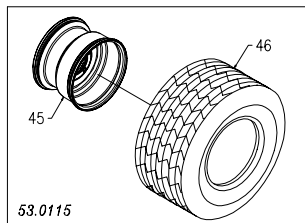
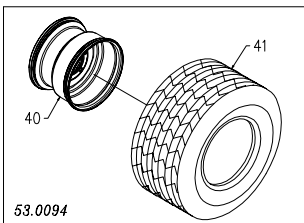
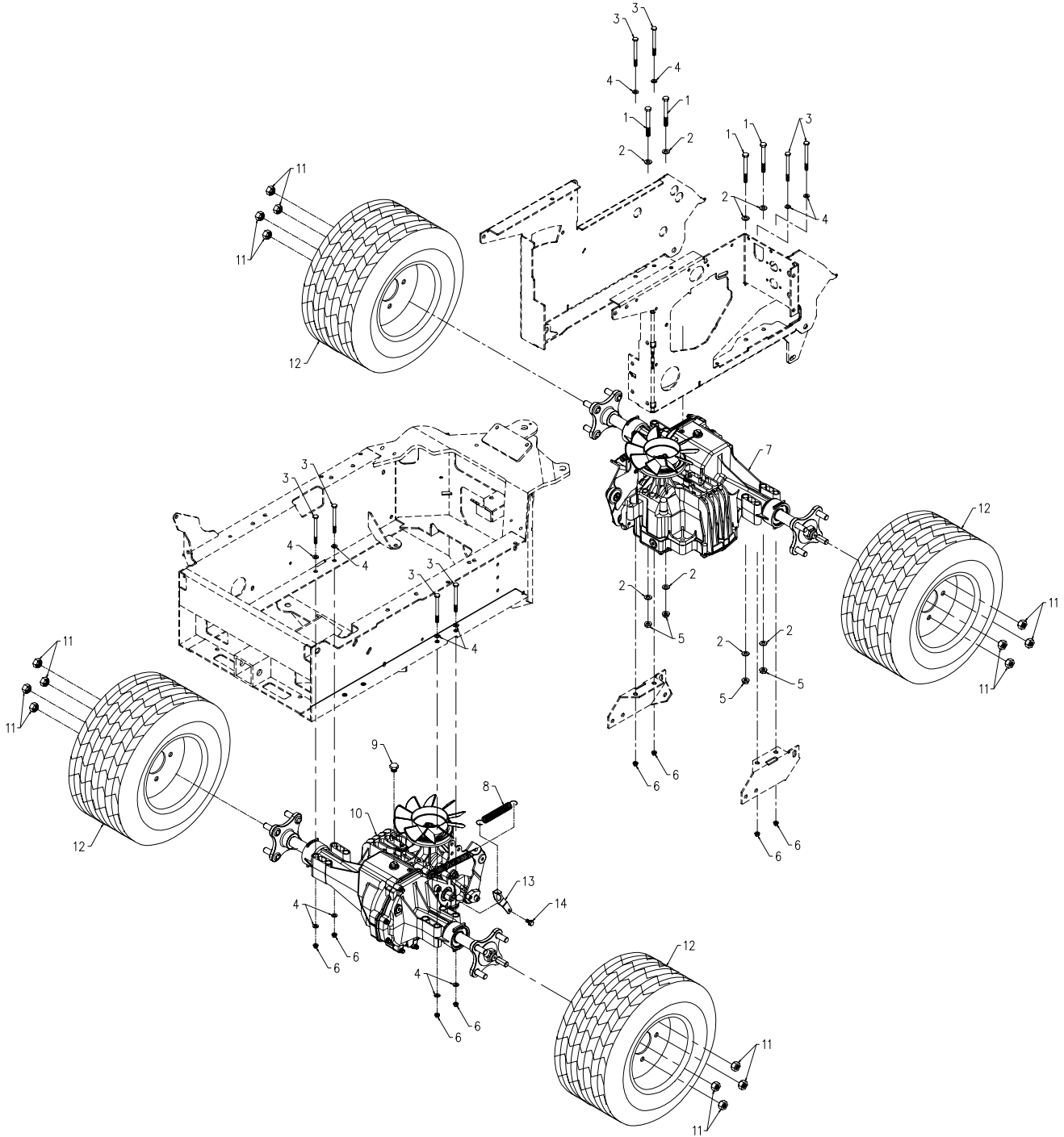
REAR AXLE

REF.	PART NO.	DESCRIPTION	QTY.
4	51.0079	.SPACER, .98 X 1.37 X .04	1
6	04.0038	.RING SET, 59 EXT WIRE	1
12	51.0076	.SHAFT, INPUT	1
13	51.0078	.WASHER, THRUST .59 X .79 X .04	1
24	51.0034	.SHAFT, MOTOR	1
38	51.0035	.PLATE, BYPASS	1
41	51.0036	.ARM, BYPASS	1
44	51.0037	.SCREW, 3/8-24 X 2.5	3
55	51.0038	.FILTER, REAR TRANSAXLE LT3000	1
74	55.0056	.BEARING, 1" X 52MM X 15MM	2
75	89.0068	.SEAL, LIP 25MM X 52MM X 10MM	2
76	51.0039	.SHAFT, AXLE	2
79	51.0040	.SEALANT	1
80	51.0041	.SCREW, TORX HEAD 5/16-18	8
84	89.0070	.SEAL, LIP .875 X 1.38 X .25	1
104	51.0043	.FAN (Serial # 1001-1924)	1
104	51.0066	.FAN, LH TRANSAXLES (Serial # 1925-)	1
110	25.6408-06-SP	.FITTING, O-RING PLUG 3/8 DRILL	1
118	51.0046	.HUB ASSEMBLY	2
119	99.A12NF	.LOCKNUT, STOVER 3/4-16 SAE	2
153	51.0068	.PLUG, 9/16-18 METAL	2
155	51.0048	.KIT, FAN/PULLEY ASSEMBLY (Serial # 1001-1924)	1
155	51.0067	.KIT, FAN/PULLEY (Serial # 1925-)	1
203	51.0049	.KIT, SEAL	1
210	51.0060	.TRANSAXLE, REAR HIGH SPEED	1

Listed items are stocked. Check availability of unlisted parts.

AXLES & DRIVES

ILLUSTRATED DRAWING AXLE MOUNT & TIRES



AXLES & DRIVES

AXLE MOUNT & TIRES

REF.	PART NO.	DESCRIPTION	QTY.
1	90.0524	.BOLT, 5/16-18 USS X 3	4
2	95.05	.WASHER, FLAT 5/16 SAE	8
3	90.0424	.BOLT, 1/4-20 USS X 3	8
4	95.04	.WASHER, FLAT 1/4 SAE	12
5	99.SF05	.NUT, SF 5/16-18 USS	4
6	99.SF04	.NUT, SF 1/4-20 USS	8
7	51.0061	.TRANSAXLE, FRONT 3000	1
8	41.0064	.SPRING, EXT 3/4 X 3-1/2 OALG	1
9	25.6408-06-SP	.FITTING, O-RING PLUG 3/8 DRILL	1
10	51.0060	.TRANSAXLE, REAR 3000	1
11	99.E0001	.NUT, LUG 1/2-20 SAE	16
12	53.0094*	.WHEEL, ASM 18 X 10.50 X 10 4B	4
12	53.0115	.WHEEL, ASM 18X11X10 KNOB RH/LH	4
13	64.1434	.BRACKET, SPRING RETAINER	1
14	99.SF0404	.BOLT, SF 1/4-20 X 1/2	1
40	53.0106	.RIM, 10 X 8.5 4-BOLT LT	1
41	53.0117	.TIRE, LT STD 18X10.5X10 NO RIM	1
45	53.0106	.RIM, 10 X 8.5 4-BOLT LT	1
46	53.0116	.TIRE, KNOB 18X11X10 RH/LH	1
50	53.0143	.TUBE, INNER 18 X 11 X 10	4

*53.0094 is the standard wheel assembly.

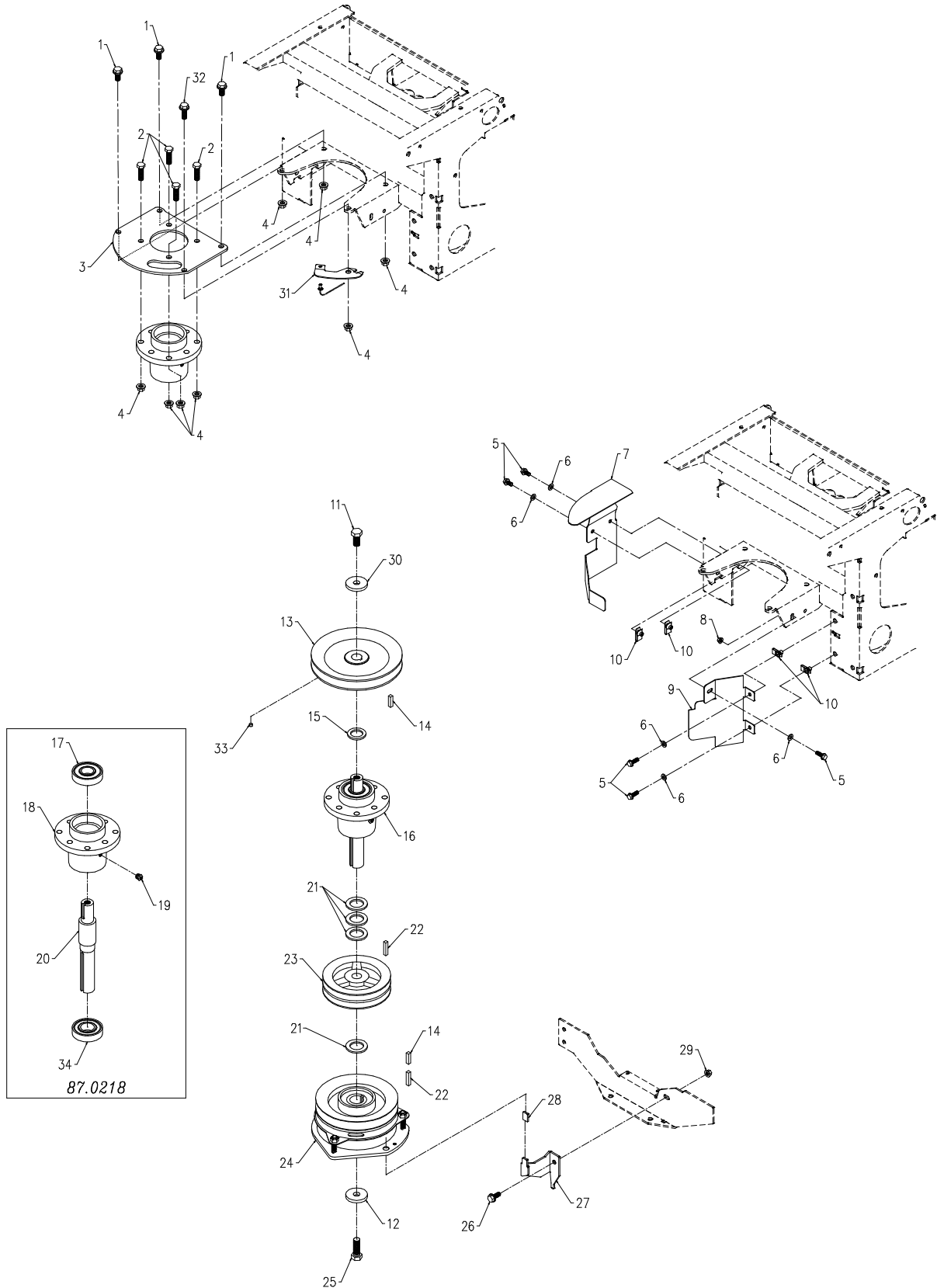
AXLES & DRIVES

BELT & PULLEY DIAGRAM

REF.	PART NO.	DESCRIPTION	QTY.
1	81.B062	.BELT, B62	1
2	81.A041	.BELT, A41	2
3	81.B089	.BELT, B89	1
4	83.0052	.PULLEY, 7-13/16 25 MM STR BORE	1
5	83.0053	.PULLEY, 7-1/2", 4.171 BORE	1
6	83.0037	.PULLEY, IDLER FLAT 4" X 3/8	3
7	83.2AK5618	.PULLEY, 2AK 5.45" 1-1/8 BORE	1
8	83.0013	.PULLEY, IDLER FLAT 3/8 X 3 1/2	2
9	51.0048	.KIT, FAN/PULLEY ASSEMBLY	2
10	37.0048	.CLUTCH/BRAKE, ELECTRIC OGURA	1
11	83.0038	.PULLEY, V-IDLER 4-1/4 X 3/8 ID	1
12	83.0039	.PULLEY, IDLER 2 GROOVE ASM	1

AXLES & DRIVES

ILLUSTRATED DRAWING CENTER SHAFT ASSEMBLY



AXLES & DRIVES

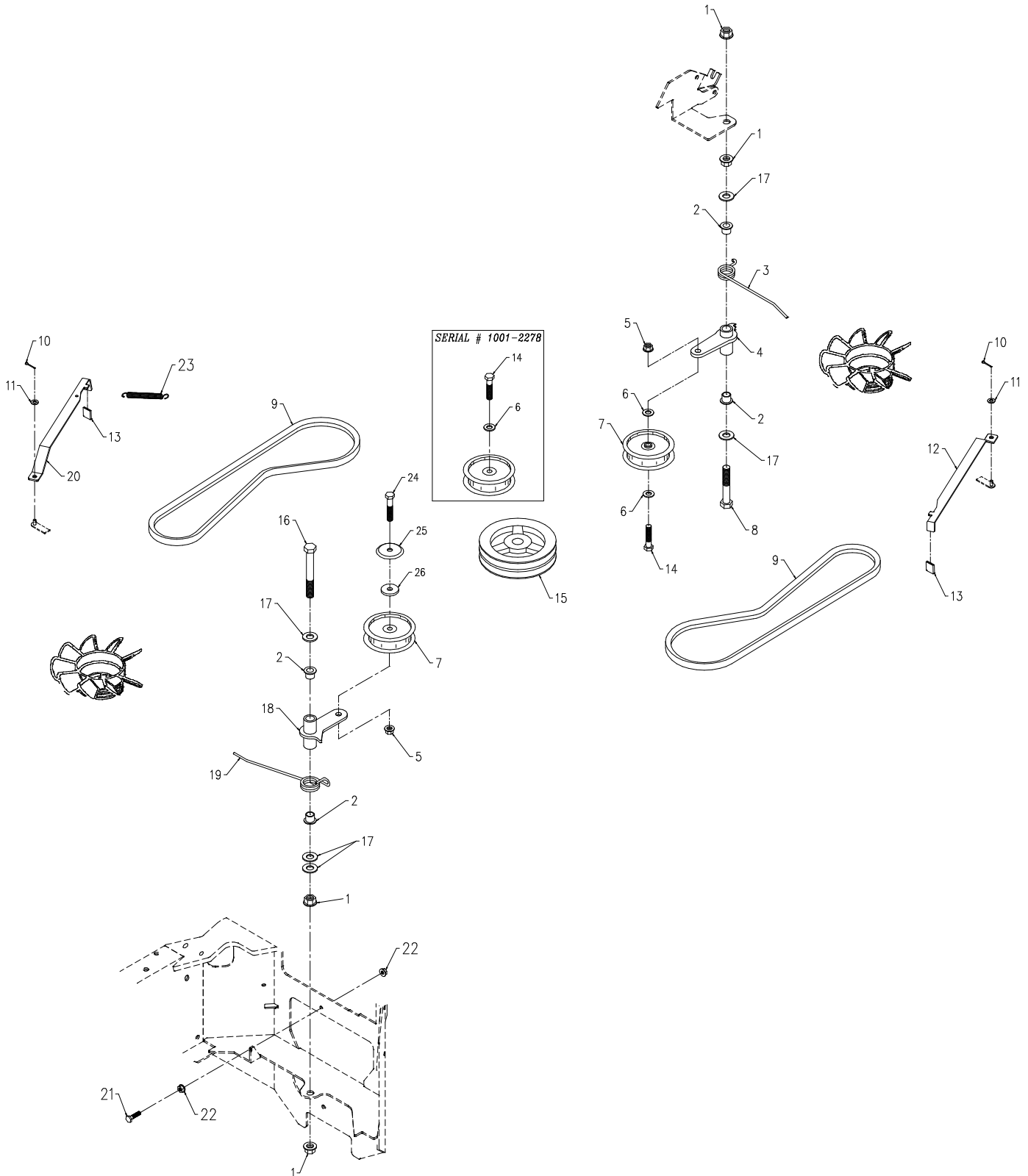
CENTER SHAFT ASSEMBLY

REF.	PART NO.	DESCRIPTION	QTY.
1	99.SF0606	.BOLT, SF 3/8-16 USS X 3/4	3
2	90.0610	.BOLT, 3/8-16 USS X 1 1/4	4
3	64.1263	.PLATE, CENTER HUB MOUNTING	1
4	99.SF06	.NUT, SF 3/8-16 USS	8
5	99.SF0406	.BOLT, SF 1/4-20 X 3/4	5
6	95.04	.WASHER, FLAT 1/4 SAE	5
7	60.0988	.SHIELD, VERTICAL SHAFT LEFT	1
8	99.SF04	.NUT, SF 1/4-20 USS	1
9	60.0989	.SHIELD, VERTICAL SHAFT RIGHT	1
10	99.E0046	.NUT, "U" 1/4-20 EXTRUDED	4
11	91.0808	.BOLT, 1/2-20 SAE X 1	1
12	99.B0064	.WASHER, 1/4 X 1.75 X .531 HOLE	1
13	83.0052	.PULLEY, 7-13/16 25 MM STR BORE	1
14	85.K0408	.KEY, 1/4 X 1	2
15	99.B0013	.WASHER, MACH 1" ID 14 GA	1
16	87.0218	.SPINDLE, ASM LE CENTER SHAFT	1
17	55.0057	.BEARING, BALL X2 SIDED SHEILD	1
18	87.0209-1	.SPINDLE, HOUSING	1
19	29.GF0017	.RELIEF FITTING	1
20	87.0218-2	.SHAFT, LE CENTER SPINDLE	1
21	99.B0059	.WASHER, MACH 1 1/8 X 10 GA	4
22	85.K0410	.KEY, 1/4 X 1 1/4	2
23	83.2AK5618	.PULLEY, 2AK 5.45" 1-1/8 BORE	1
24	37.0048	.CLUTCH/BRAKE, ELECTRIC OGURA	1
25	91.0812	.BOLT, 1/2-20 SAE X 1 1/2	1
26	99.SF0506	.BOLT, SF 5/16-18 USS X 3/4	1
27	64.1265	.TORQUE ARM, CLUTCH	1
28	06.0044	.CAP, PLASTIC 1/8 X 1/2 X 7/8	1
29	99.SF05	.NUT, SF 5/16-18 USS	1
30	99.B0095	.WASHER, .531 IDX1.75 OD 3/16TK	1
31	64.1431	.MOUNT, TACH PICK-UP (Serial # 1390-)*	1
32	99.SF0608	.BOLT, SF 3/8-16 USS X 1	1
33	47.0276	.MAGNET, TACH SENSOR	1
34	55.0070	.BEARING, 30MM X 62MM X 16MM	1

*Prior to serial number 1390, the tach pick up bracket was located at the engine. See page 15 for tach pick up bracket for serial number 1001-1389.

AXLES & DRIVES

ILLUSTRATED DRAWING AXLE DRIVE



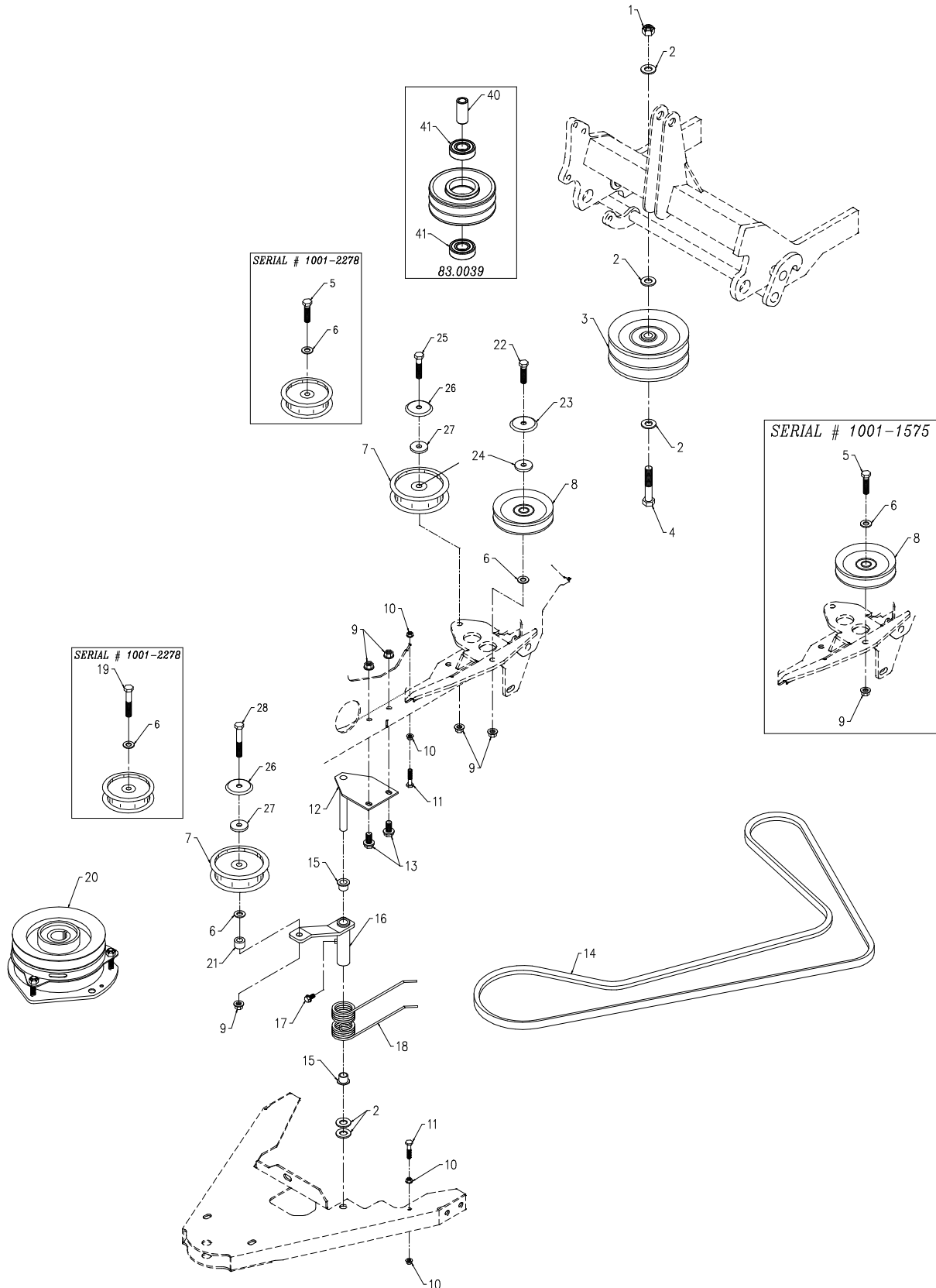
AXLES & DRIVES

AXLE DRIVE

REF.	PART NO.	DESCRIPTION	QTY.
1	99.SF08	.NUT, SF 1/2-13 USS	4
2	85.B0027	.BUSHING, 1/2 ID X 5/8 OD X 5/8	4
3	41.0083	.SPRING, TORSION RH 1-3/16 IDX7	1
4	40.0342	.IDLER, DRIVE BELT FRONT AXLE (Serial # 1001-1371)	1
4	40.0356	.IDLER ARM, DRIVE BLT FRNT AXLE (Serial # 1372-)	1
5	99.SF06	.NUT, SF 3/8-16 USS	2
6	95.06	.WASHER, FLAT 3/8 SAE	3
7	83.0013	.PULLEY, IDLER FLAT 3/8 X 3 1/2	2
8	90.0828	.BOLT, 1/2-13 USS X 3 1/2 (Serial # 1001-1371)	1
8	90.0824	.BOLT, 1/2-13 USS X 3 (Serial # 1372-)	1
9	81.A041	.BELT, A41	2
10	02.CP0306	.COTTER PIN, 3/32 X 3/4	2
11	95.04	.WASHER, FLAT 1/4 SAE	2
12	42.0510	.LINKAGE, FRONT AXLE NEUTRAL	1
13	06.0044	.CAP, PLASTIC 1/8 X 1/2 X 7/8	2
14	90.0614	.BOLT, 3/8-16 USS X 1 3/4	2
15	83.2AK5618	.PULLEY, 2AK 5.45" 1-1/8 BORE	1
16	90.0832	.BOLT, 1/2-13 USS X 4	1
17	95.08	.WASHER, FLAT 1/2 SAE	5
18	40.0345	.IDLER ARM, DRIVE BELT REAR AXL	1
19	41.0084	.SPRING, TORSION LH 1-3/16 IDX7	1
20	42.0511	.LINKAGE, REAR AXLE NEUTRAL	1
21	90.0408	.BOLT, 1/4-20 USS X 1	1
22	99.SF04	.NUT, SF 1/4-20 USS	2
23	41.0086	.SPRING, EXT 3/8" OD X 4" LONG	1
24	90.0616	.BOLT, 3/8-16 USS X 2 (Serial # 2279-)	1
25	60.1056	.COVER, PULLEY (Serial # 2279-)	1
26	99.G0014	.WASHER, 3/8 USS FW .165 THK (SERIAL # 2279-)	1

AXLES & DRIVES

ILLUSTRATED DRAWING PTO DRIVE



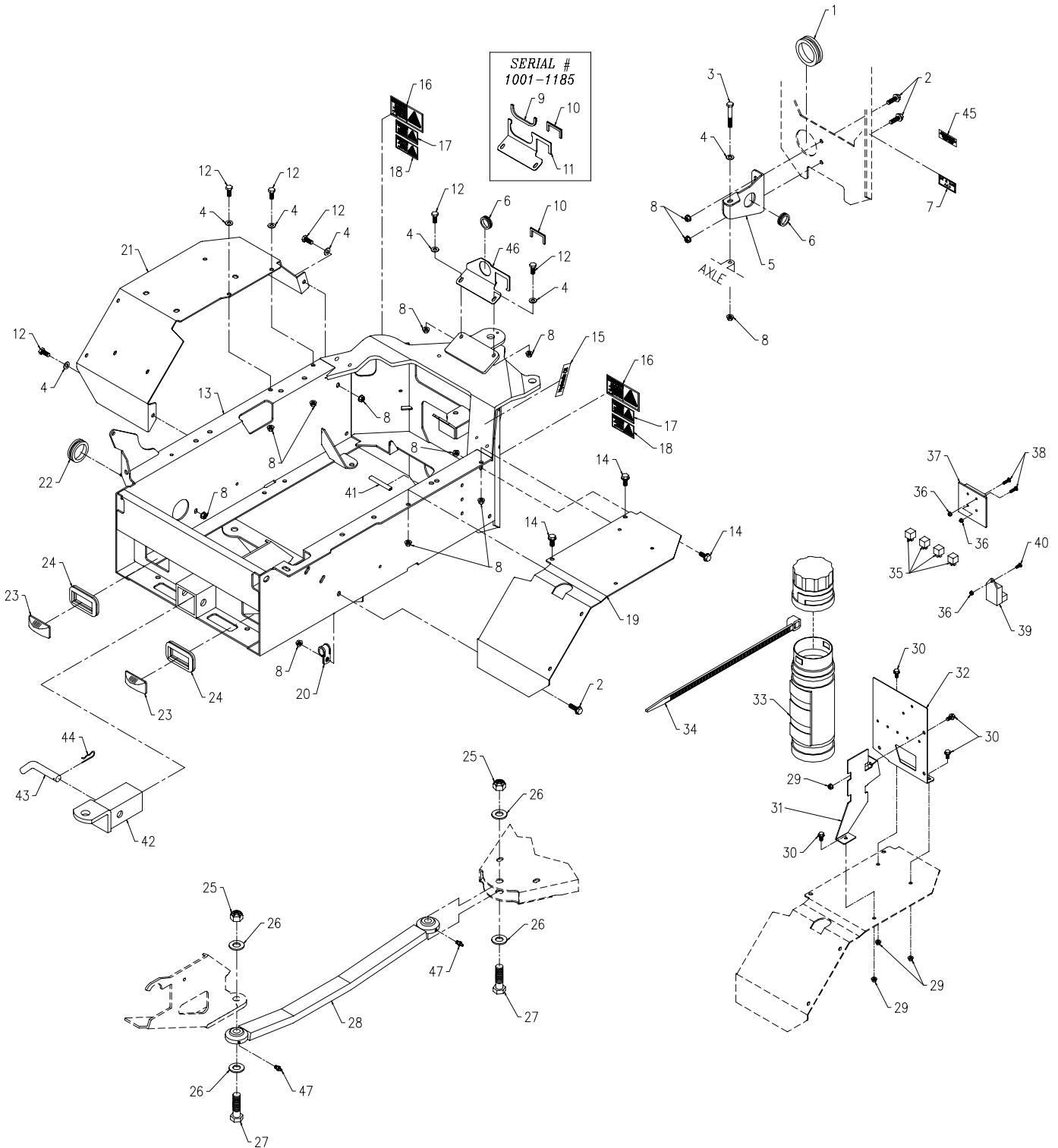
AXLES & DRIVES

PTO DRIVE

REF.	PART NO.	DESCRIPTION	QTY.
1	99.A08	.LOCKNUT, STOVER 1/2-13 USS	1
2	95.08	.WASHER, FLAT 1/2 SAE	5
3	83.0039	.PULLEY, IDLER 2 GROOVE ASM.	1
4	90.0822	.BOLT, 1/2-13 USS X 2 3/4	1
5	90.0612	.BOLT, 3/8-16 USS X 1 1/2 (Serial # 1001-2278)	1
6	95.06	.WASHER, FLAT 3/8 SAE	4
7	83.0037	.PULLEY, IDLER FLAT 4" X 3/8	2
8	83.0038	.PULLEY, V-IDLER 4-1/4 X 3/8 ID	1
9	99.SF06	.NUT, SF 3/8-16 USS	5
10	99.SF04	.NUT, SF 1/4-20 USS	4
11	90.0410	.BOLT, 1/4-20 USS X 1 1/4	2
12	64.0820	.ANCHOR, PLATE-PTO IDLER	1
13	99.SF0606	.BOLT, SF 3/8-16 USS X 3/4	2
14	81.B089	.BELT, B89	1
15	85.B0027	.BUSHING, 1/2 ID X 5/8 OD X 5/8	2
16	40.0274	.IDLER ARM, PTO	1
17	99.SF0404	.BOLT, SF 1/4-20 X 1/2	1
18	41.0065	.SPRING, DOUBLE TORSION BLACK	1
19	90.0618	.BOLT, 3/8-16 USS X 2 1/4 (Serial # 1001-2278)	1
20	37.0048	.CLUTCH/BRAKE, ELECTRIC OGURA	1
21	64.0892	.SPACER, IDLER PULLEY	1
22	90.0614	.BOLT, 3/8-16 USS X 1-3/4 (Serial # 1576-)	1
23	60.1056	.COVER, PULLEY (Serial # 1576-)	1
24	99.G0014	.WASHER, 3/8 USS FW .165 THK (Serial # 1576-)	1
25	90.0614	.BOLT, 3/8-16 USS X 1 3/4 (Serial # 2279-)	1
26	60.1056	.COVER, PULLEY (Serial # 2279-)	2
27	99.G0014	.WASHER, 3/8 USS FW .165 THK (Serial # 2279-)	2
28	90.0620	.BOLT, 3/8-16 USS X 2 1/2 (Serial # 2279-)	1
40	85.B0074	.BUSHING, DRIVE PULLEY	1
41	55.0042	.BEARING, BALL 20 MM X 47 MM	2

FRAMES & DASH

ILLUSTRATED DRAWING REAR FRAME



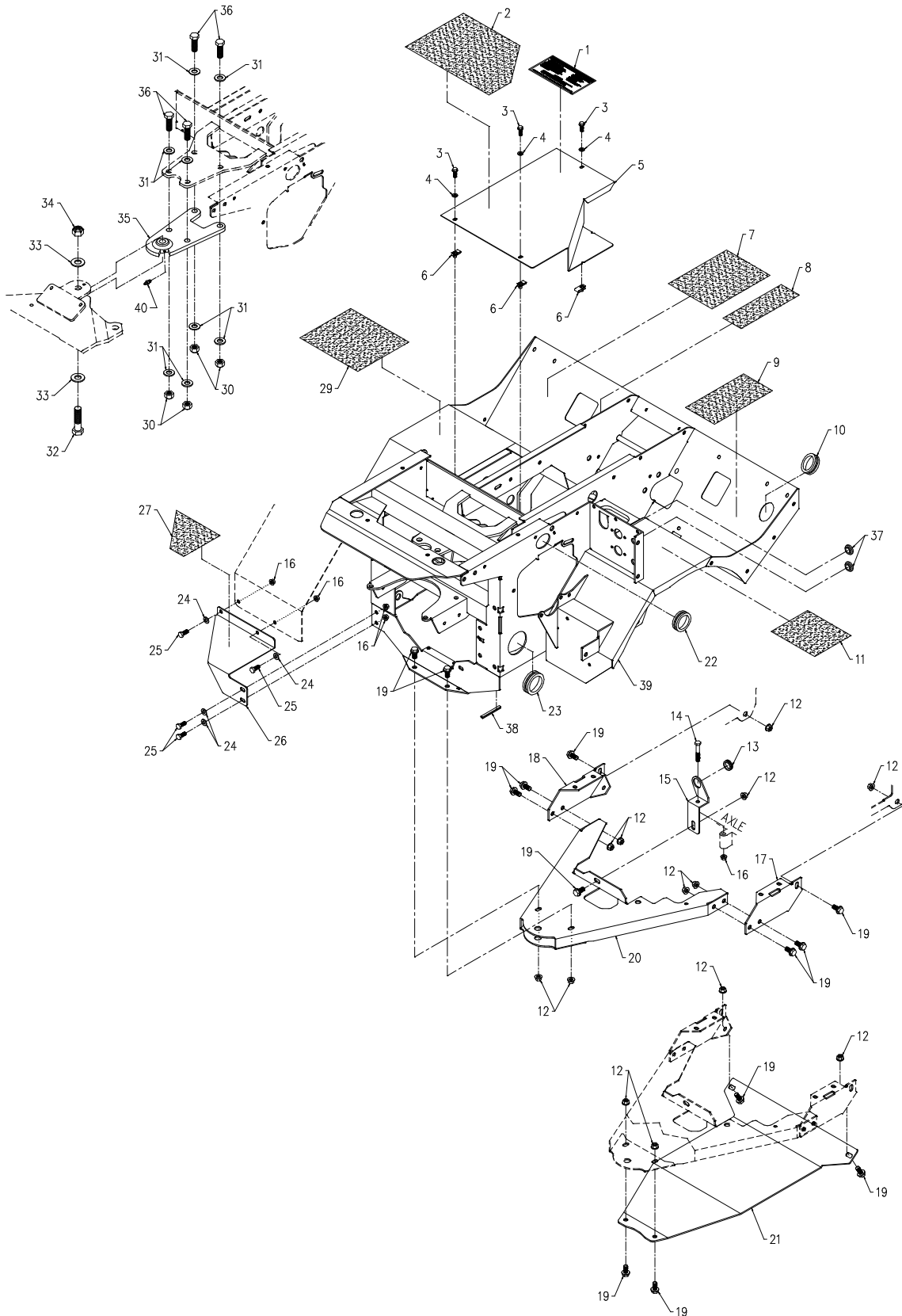
FRAMES & DASH

REAR FRAME

REF.	PART NO.	DESCRIPTION	QTY.
1	05.0056	.GROMMET, 2-1/8ID,2-7/8OD,7/16T	1
2	99.SF0508	.BOLT, SF 5/16-18 USS X 1	3
3	90.0518	.BOLT, 5/16-18 USS X 2 1/4	1
4	95.05	.WASHER, FLAT 5/16 SAE	7
5	62.1273	.MOUNT, TRANSAXLE REAR	1
6	05.0044	.GROMMET, 1 ID, 1-3/4OD, 3/8THK	2
7	00.0100	.DECAL, MADE IN USA	1
8	99.SF05	.NUT, SF 5/16-18 USS	13
9	06.0057-4IN	.TRIM, EDGE GUARD 5/16" BLACK X 4" (Serial # 1001-1185)	1
10	06.0057-3IN	.TRIM, EDGE GUARD 5/16" BLACK X 3"	1
11	60.0986	.COVER, CENTER PIVOT (Serial # 1001-1185)	1
12	90.0506	.BOLT, 5/16-18 USS X 3/4	6
13	62.1266	.FRAME, REAR	1
14	99.SF0506	.BOLT, SF 5/16-18 USS X 3/4	3
15	00.0148	.DECAL, HYD. OIL 3-7/16 X 3/4	1
16	00.0220	.DECAL, GENERAL SAFETY	2
17	00.0216	.DECAL, WARNING MOVING PARTS	2
18	00.0218	.DECAL, WARNING PINCH POINT	2
19	60.0977	.FENDER, REAR RIGHT	1
20	11.0046	.CLAMP, CUSHIONED METAL 1/2"	1
21	60.0975	.FENDER, REAR LEFT	1
22	05.0040	.GROMMET,1 1/2ID,2-3/8OD,3/32T	1
23	33.0045	.LIGHT, SEALED MARKER RED	2
24	05.0104	.GROMMET, MARKER LIGHT	2
25	99.A10	.LOCKNUT, STOVER 5/8-11 USS	2
26	95.10	.WASHER, FLAT 5/8 SAE	4
27	90.1018	.BOLT, 5/8-11 USS X 2 1/4	2
28	42.0513	.LINK, FRONT/REAR CONNECTOR (Serial # 1001-1588)	1
28	42.0546	.LINK, FRONT/REAR CONNECTOR (Serial # 1589-)	1
29	99.SF04	.NUT, SF 1/4-20 USS	4
30	99.SF0404	.BOLT, SF 1/4-20 X 1/2	4
31	64.1298	.BRACKET, MANUAL HOLDER	1
32	62.1268	.PANEL, ELECTRICAL	1
33	47.0243	.TUBE, MANUAL HOLDER - BLACK	1
34	30.0103	.TYTON TIE, #250 .5 X 20 BLACK	2
35	35.0103	.RELAY, 50 AMP 5 POLE	4
36	99.E0035	.NUT, SF #10-32	3
37	30.0185	.FUSE PANEL, 8 CIRCUIT ATC BLAD	1
38	99.K0059	.MACHINE SCREW, #10-32 X 1	2
39	13.0071	.TIMER, GLOW PLUG-VANGUARD	1
40	99.K0042	.MACHINE SCREW, 10-32 X 3/8	1
41	06.0050-4IN	.TRIM, TRIM LOC 1/2 X 3/16 X 4"	1
42	62.0968	.TUBE, RECEIVER HITCH	1
43	03.0014	.PIN, HITCH 5/8" X 3" USABLE	1
44	02.HP0524	.HAIRPIN, 5/32 X 3"	1
45	00.0200	.DECAL, US PATENT	1
46	60.1016	.COVER, CENTER PIVOT (Serial # 1186-)	1
47	29.GF0001	.GREASE FTG, 1/4 SAE ST (Serial # 1589-)	2

FRAMES & DASH

ILLUSTRATED DRAWING FRONT FRAME



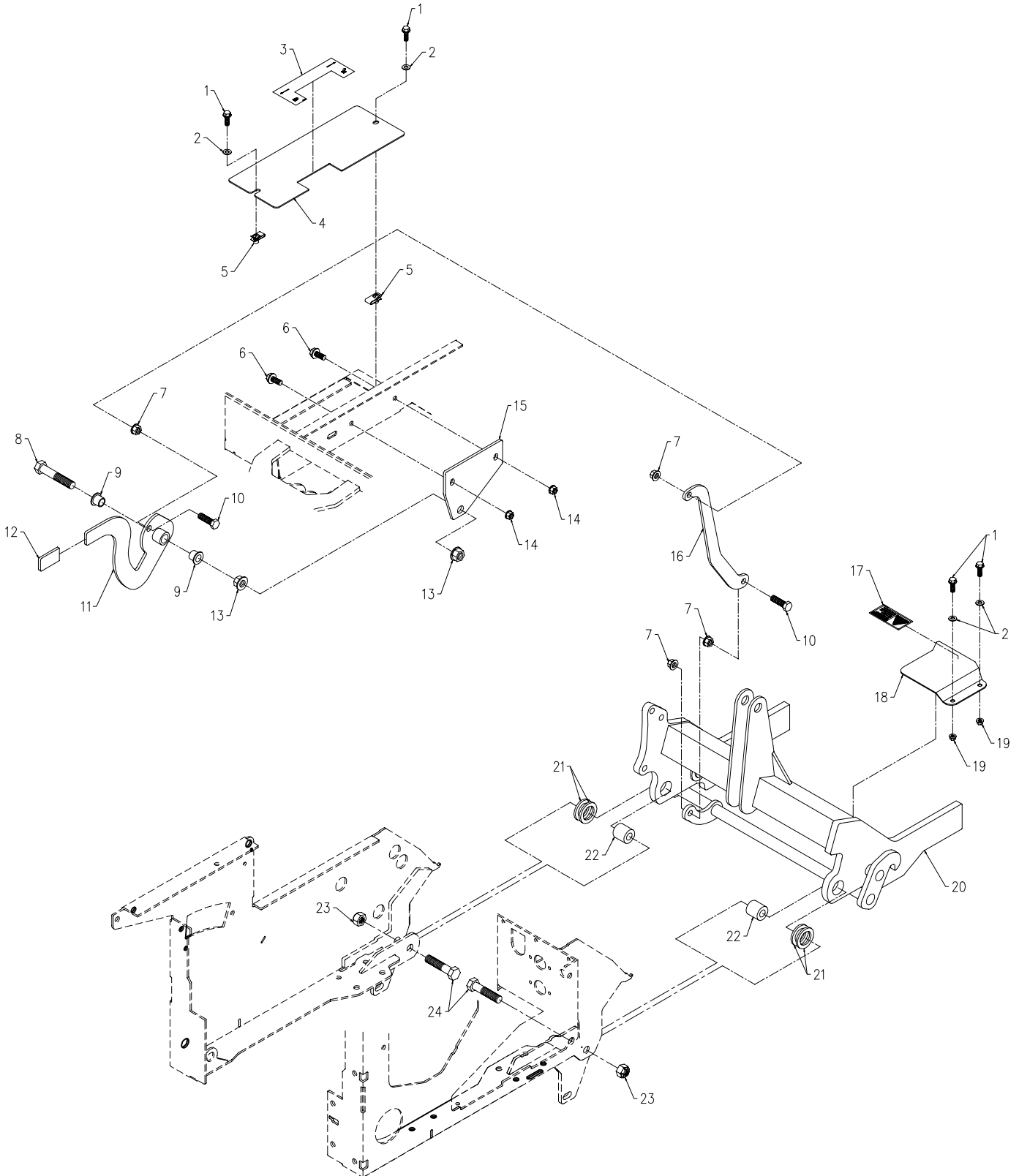
FRAMES & DASH

FRONT FRAME

REF.	PART NO.	DESCRIPTION	QTY.
1	00.0243	.DECAL, WARNING OPERATOR SAFETY	1
2	44.0238	.FLEX TREAD, TUNNEL ACCESS COVR.	1
3	99.SF0406	.BOLT, SF 1/4-20 X 3/4	3
4	99.SF04	.NUT, SF 1/4-20 USS	3
5	60.0968	.COVER, TUNNEL ACCESS	1
6	99.E0046	.NUT, "U" 1/4-20 EXTRUDED	3
7	44.0236	.FLEX TREAD, LEFT FOOT PLATE	1
8	44.0235	.FLEX TREAD, LEFT FOOT PLATE	1
9	44.0234	.FLEX TREAD, RIGHT FOOT PLATE	1
10	05.0071	.GROMMET,1-3/4ID,2-3/4OD,7/16T	1
11	44.0232	.FLEX TREAD, RIGHT FENDER	1
12	99.SF06	.NUT, SF 3/8-16 USS	13
13	05.0045	.GROMMET, 3/4ID,1 3/8OD,1/2THK	1
14	90.0516	.BOLT, 5/16-18 USS X 2	1
15	64.1266	.SUPPORT, FRONT AXLE TORQUE ARM	1
16	99.SF05	.NUT, SF 5/16-18 USS	5
17	64.1268	.ANCHOR, RIGHT FRONT SKID PLATE	1
18	64.1267	.ANCHOR, LEFT FRONT SKID PLATE	1
19	99.SF0606	.BOLT, SF 3/8-16 USS X 3/4	13
20	64.1258	.PLATE, BELLY BAR ANCHOR	1
21	64.1270	.PLATE, SKID	1
22	05.0036	.GROMMET, 1 1/2ID,2 1/8OD,9/16T	1
23	05.0056	.GROMMET, 2-1/8ID,2-7/8OD,7/16T	1
24	95.05	.WASHER, FLAT 5/16 SAE	4
25	90.0506	.BOLT, 5/16-18 USS X 3/4	4
26	64.1275	.BRACKET, FOOT STEP	1
27	44.0233	.FLEX TREAD, FOOT STEP	1
29	44.0237	.FLEX TREAD, LEFT FENDER	1
30	99.A08	.LOCKNUT, STOVER 1/2-13 USS	4
31	95.08	.WASHER, FLAT 1/2 SAE	8
32	90.1020	.BOLT, 5/8-11 USS X 2 1/2	1
33	95.10	.WASHER, FLAT 5/8 SAE	2
34	99.A10	.LOCKNUT, STOVER 5/8-11 USS	1
35	64.1749	.PIVOT, CENTER MAIN	1
36	90.0812	.BOLT, 1/2-13 USS X 1 1/2	4
37	05.0109	.PLUG, 1" HOLE BLK PLASTIC	2
38	06.0050-4IN	.TRIM, TRIM LOC 1/2 X 3/16 X 4"	1
39	62.1258	.FRAME, FRONT	1
40	29.GF0001	.GREASE FTG, 1/4 SAE ST	1

FRAMES & DASH

ILLUSTRATED DRAWING FRONT HITCH



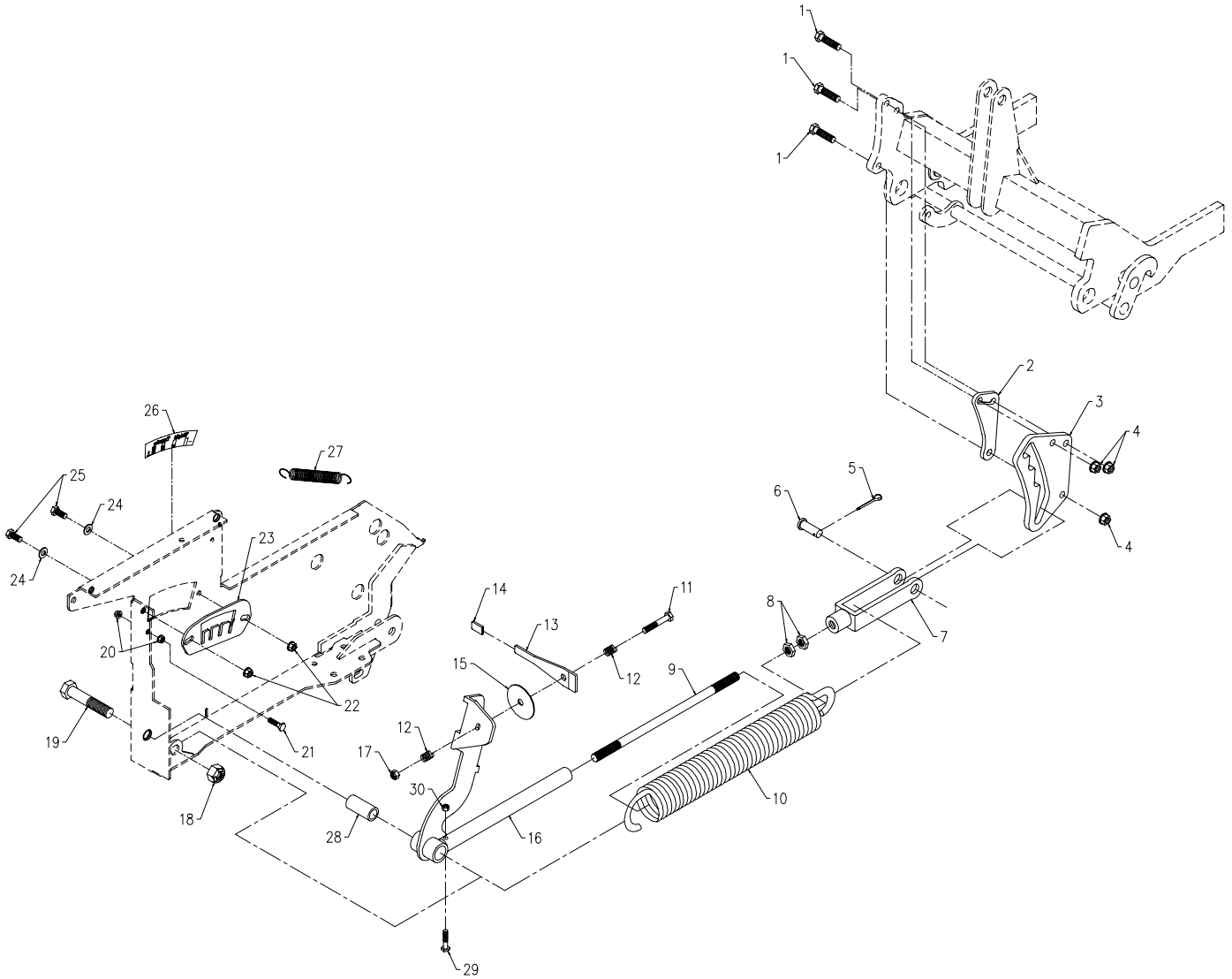
FRAMES & DASH

FRONT HITCH

REF.	PART NO.	DESCRIPTION	QTY.
1	99.SF0406	.BOLT, SF 1/4-20 X 3/4	4
2	95.04	.WASHER, FLAT 1/4 SAE	4
3	00.0233-5	.DECAL, HITCH RELEASE LEVER	1
4	60.0969	.COVER, WEIGHT TRANSFER ACCESS	1
5	99.E0046	.NUT, "U" 1/4-20 EXTRUDED	2
6	99.SF0506	.BOLT, SF 5/16-18 USS X 3/4	2
7	99.SF06	.NUT, SF 3/8-16 USS	4
8	90.0822	.BOLT, 1/2-13 USS X 2 3/4	1
9	85.B0027	.BUSHING, 1/2 ID X 5/8 OD X 5/8	2
10	90.0610	.BOLT, 3/8-16 USS X 1 1/4	2
11	40.0340	.LEVER, FRONT LATCH	1
12	06.0051	.CAP, 3/16 X 15/16 X 1-3/4 FE	1
13	99.SF08	.NUT, SF 1/2-13 USS	2
14	99.SF05	.NUT, SF 5/16-18 USS	2
15	64.1300	.MOUNT, HANDLE RELEASE LEVER	1
16	42.0512	.LINK, FRONT LATCH	1
17	00.0216	.DECAL, WARNING MOVING PARTS	1
18	60.0973	.SHIELD, BELT	1
19	99.SF04	.NUT, SF 1/4-20 USS	2
20	62.1259	.HITCH, FRONT	1
21	99.B0093	.WASHER, 1" ID X 1-1/2" OD 10GA	4
22	64.0807	.BUSHING, .516 X 1.000 X 1.000	2
23	99.A08	.LOCKNUT, STOVER 1/2-13 USS	2
24	90.0818	.BOLT, 1/2-13 USS X 2 1/4	2

FRAMES & DASH

ILLUSTRATED DRAWING WEIGHT TRANSFER



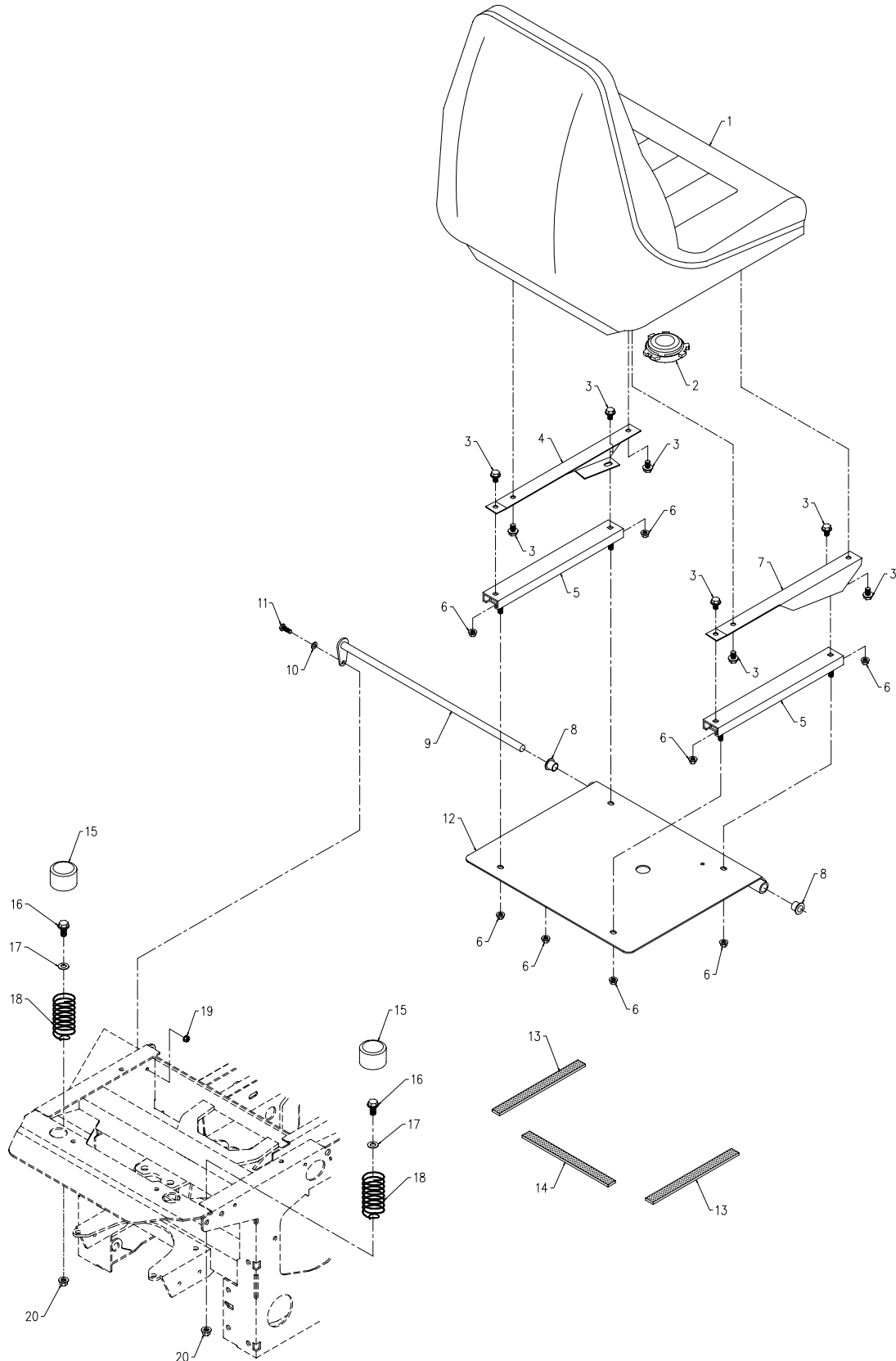
FRAMES & DASH

WEIGHT TRANSFER

REF.	PART NO.	DESCRIPTION	QTY.
1	90.0612	.BOLT, 3/8-16 USS X 1 1/2.	3
2	64.1272	.SPACER, WEIGHT TRANSFER STOP.	1
3	64.1271	.PLATE, WEIGHT TRANSFER STOP	1
4	99.SF06	.NUT, SF 3/8-16 USS	3
5	02.CP0408	.COTTER PIN, 1/8 X 1.	1
6	03.0812	.CLEVIS PIN, 1/2 X 1-1/2.	1
7	43.C08-1R	.CLEVIS END, 1/2-20 RH THREAD	1
8	99.E0079	.NUT, JAM 1/2-20 RH YELLOW ZP.	2
9	42.0517	.ROD, THREAD 1/2-20 X 12" LH/RH.	1
10	41.0080	.SPRING, WEIGHT TRANSFER.	1
11	90.0516	.BOLT, 5/16-18 USS X 2.	1
12	41.0039	.SPRING, COMP. 9/16 OD X 5/8.	2
13	40.0343	.LEVER, WEIGHT TRANSFER.	1
14	06.0044	.CAP, PLASTIC 1/8 X 1/2 X 7/8	1
15	05.0002	.WASHER, FRIC. 2 1/4 X 13/32.	1
16	40.0341	.ARM, WEIGHT TRANSFER.	1
17	99.A05	.LOCKNUT, STOVER 5/16-18 USS	1
18	99.A10	.LOCKNUT, STOVER 5/8-11 USS.	1
19	90.1026	.BOLT, 5/8-11 USS X 3 1/4.	1
20	99.SF04	.NUT, SF 1/4-20 USS	2
21	90.0408	.BOLT, 1/4-20 USS X 1.	1
22	99.SF05	.NUT, SF 5/16-18 USS	2
23	60.0972	.PLATE, WEIGHT TRANSFR SELECTOR.	1
24	95.05	.WASHER, FLAT 5/16 SAE	2
25	90.0506	.BOLT, 5/16-18 USS X 3/4	2
26	00.0235-1	.DECAL, WEIGHT TRANSFER.	1
27	41.0086	.SPRING, EXT 3/8" OD X 4" LONG	1
28	64.1269	.BUSHING, .635 IDX7/8 OD X1-7/8.	1
29	90.0410	.BOLT, 1/4-20 USS X 1 1/4.	1
30	99.A04	.LOCKNUT, STOVER 1/4-20 USS	1

FRAMES & DASH

ILLUSTRATED DRAWING HIGHBACK SEAT



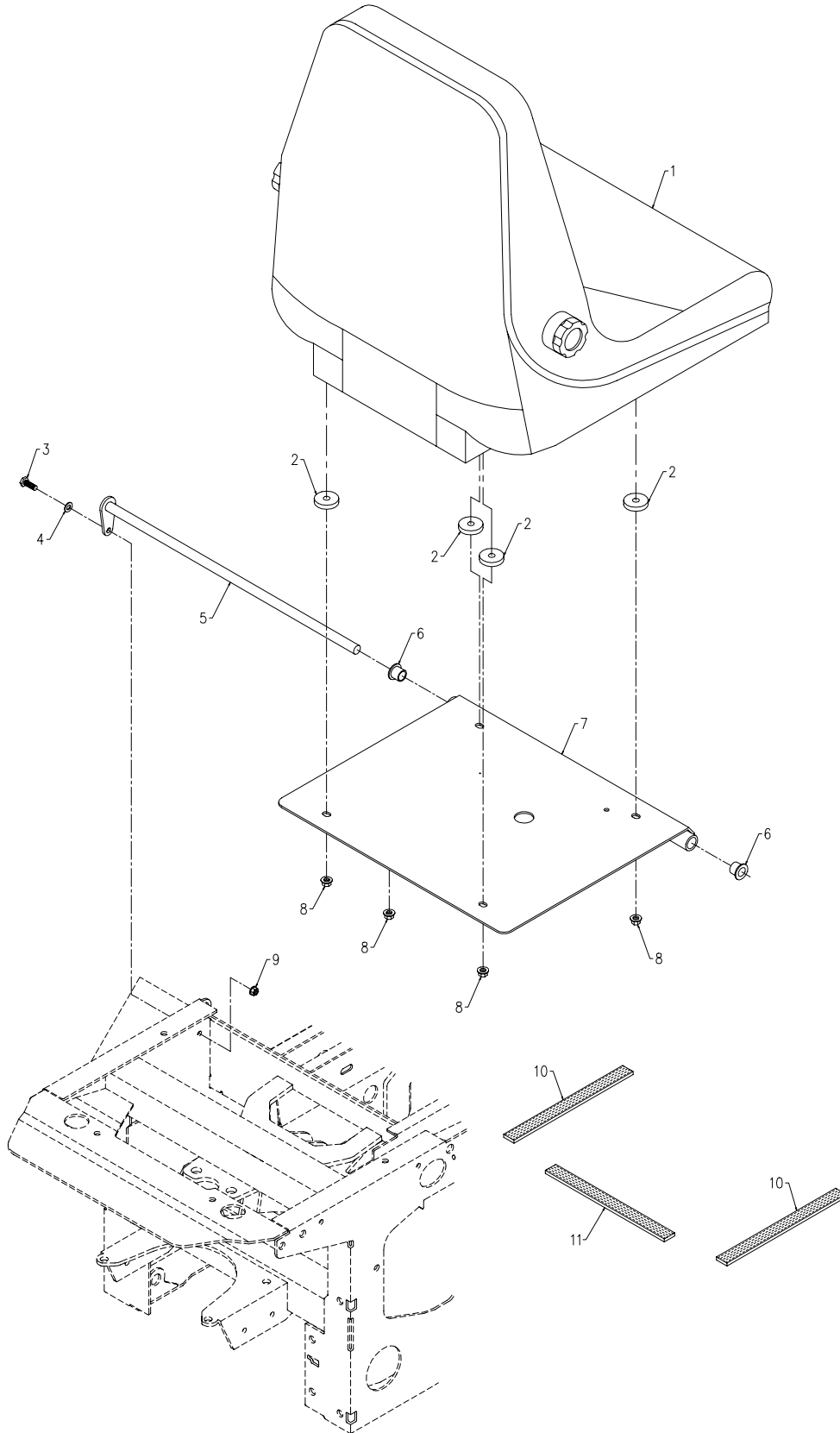
FRAMES & DASH

HIGHBACK SEAT

REF.	PART NO.	DESCRIPTION	QTY.
1	47.0112	.SEAT, MOLDED HIGH BACK	1
	47.0113	.ARMREST, KIT - STANDARD SEAT	1
2	31.0033	.SWITCH, SEAT 2" ROUND GRAY	1
3	99.SF0504	.BOLT, SF 5/16-18USS X 1/2	8
4	64.0770	.RISER, SEAT-LEFT LT	1
5	47.0114	.SLIDE, KIT FOR SEAT 47.0112	1
6	99.SF05	.NUT, SF 5/16-18 USS	8
7	64.0771	.RISER, SEAT-RIGHT LT	1
8	85.B0027	.BUSHING, 1/2 ID X 5/8 OD X 5/8	2
9	64.1259	.PIN, SEAT PIVOT	1
10	90.0406	.BOLT, 1/4-20 USS X 3/4	1
11	95.04	.WASHER, FLAT 1/4 SAE	1
12	62.1264	.PLATE, SEAT	1
13	06.0045-12IN	.WEATHERSTRIP, 1/8 X 3/4 X 12"	2
14	06.0045-16.5IN	.WEATHERSTRIP, 1/8 X 3/4 X 16 1/2"	1
15	05.0053	.BOOT, SPRING 1-11/16 ID X 1	2
16	99.SF0606	.BOLT, SF 3/8-16 USS X 3/4	2
17	94.06	.WASHER, FLAT 3/8 USS	2
18	41.0057	.SPRING, COMP 1.75 OD X 4.25 LG	2
19	99.SF04	.NUT, SF 1/4-20 USS	1
20	99.SF06	.NUT, SF 3/8-16 USS	2

FRAMES & DASH

ILLUSTRATED DRAWING SUSPENSION SEAT



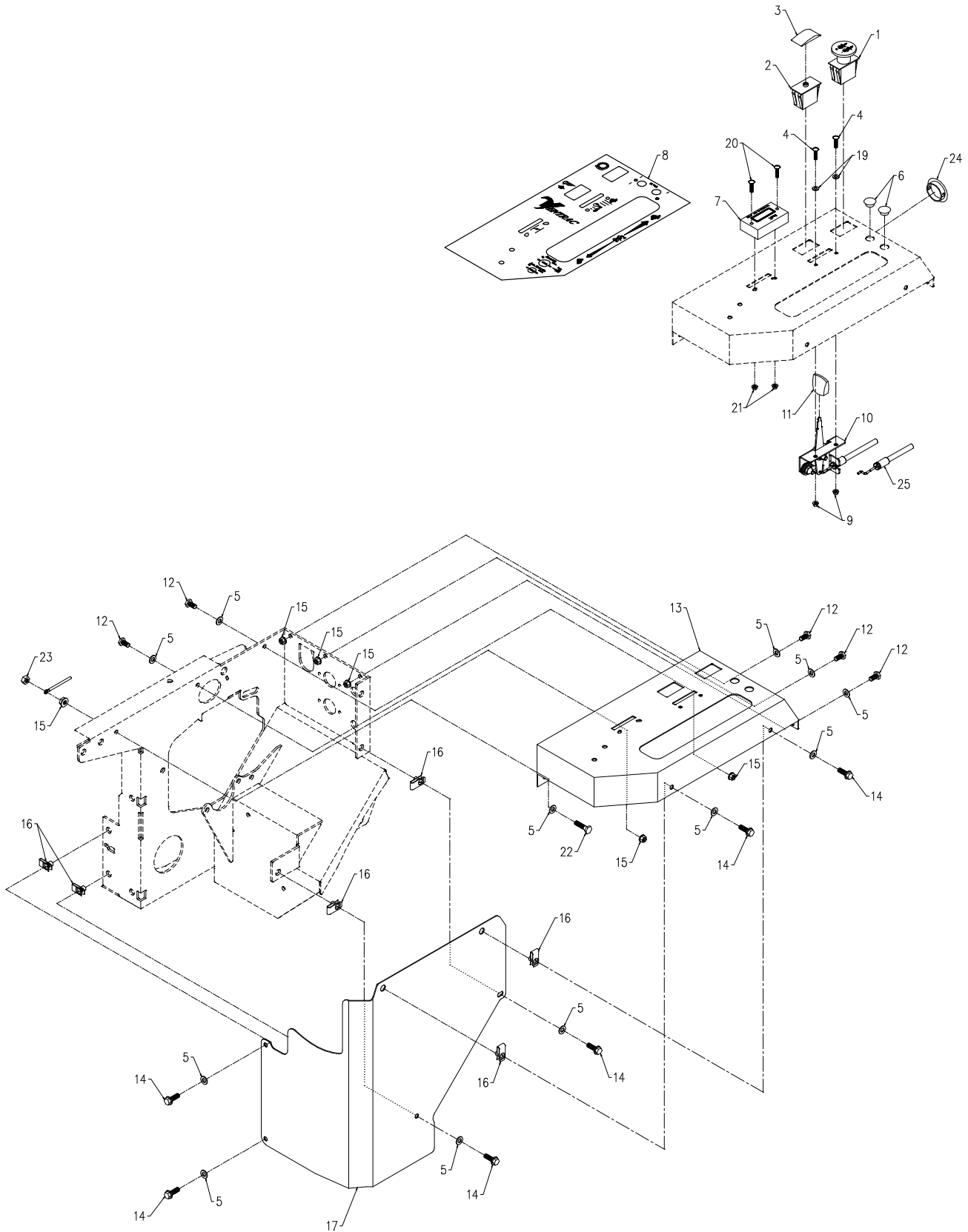
FRAMES & DASH

SUSPENSION SEAT

REF.	PART NO.	DESCRIPTION	QTY.
1	47.0233	.SEAT, FULL SUSPENSION	1
	47.0231-1	.ARMREST, KIT - SUSPENSION SEAT	1
	47.0231-2	.KIT, SLIDE FOR SEAT	1
2	05.0069	.WASHER, NYLON	4
3	90.0406	.BOLT, 1/4-20 USS X 3/4	1
4	95.04	.WASHER, FLAT 1/4 SAE	1
5	64.1259	.PIN, SEAT PIVOT	1
6	85.B0027	.BUSHING, 1/2 ID X 5/8 OD X 5/8	2
7	62.1264	.PLATE, SEAT	1
8	99.SF05	.NUT, SF 5/16-18 USS	4
9	99.SF04	.NUT, SF 1/4-20 USS	1
10	06.0045-12IN	.WEATHERSTRIP, 1/8 X 3/4 X 12"	2
11	06.0045-16.5IN	.WEATHERSTRIP, 1/8 X 3/4 X 16 1/2"	1

FRAMES & DASH

ILLUSTRATED DRAWING DASH



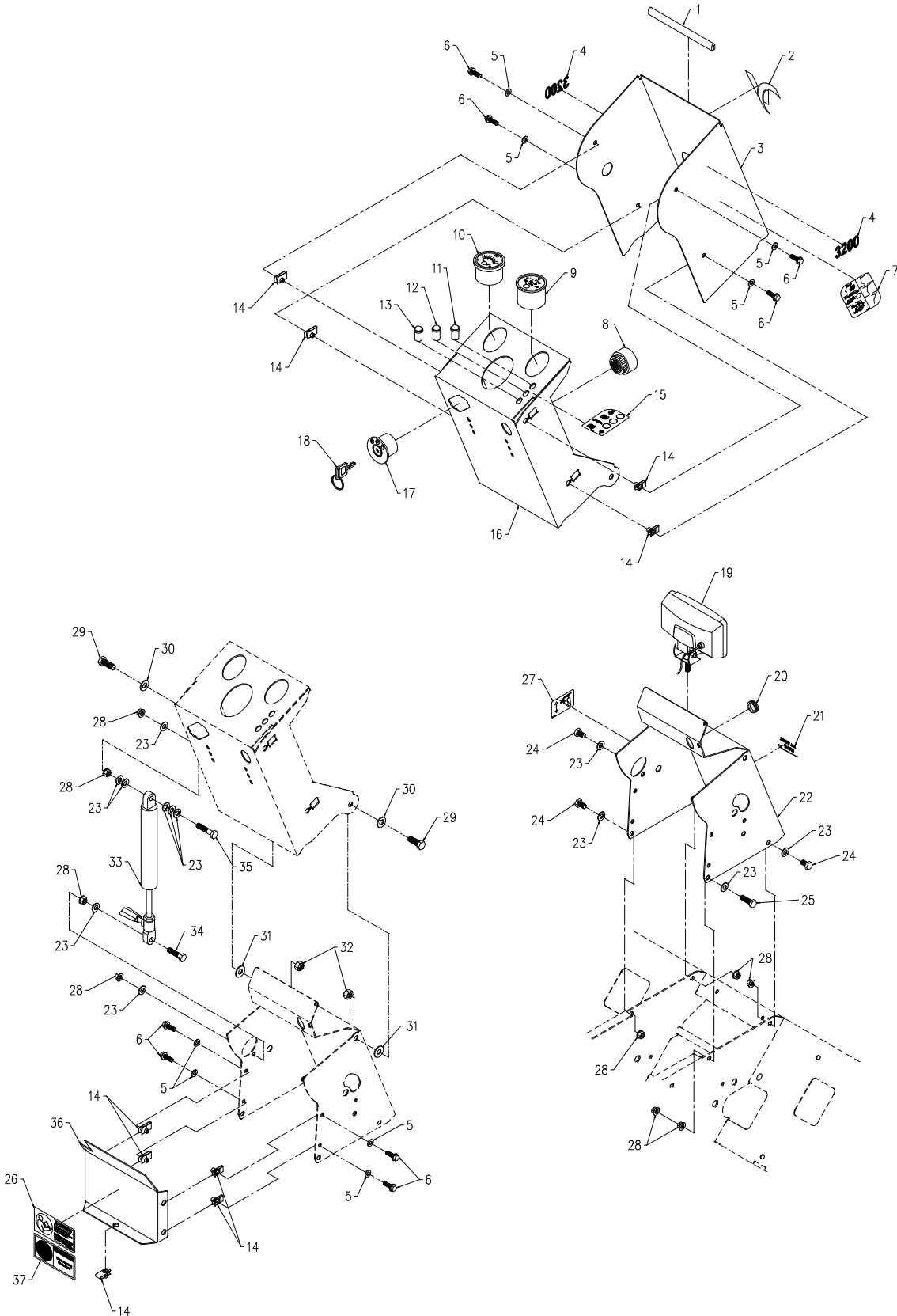
FRAMES & DASH

DASH

REF.	PART NO.	DESCRIPTION	QTY.
1	31.0043	.SWITCH, PTO - PUSH/PULL	1
2	31.0036	.SWITCH, CONTOUR ON-OFF DPST	1
3	31.0037	.ROCKER, SWITCH SOFT/BLK/NO LEN	1
4	99.K0062	.MACHINE SCREW, #10-32 X 1/2	2
5	95.04	.WASHER, FLAT 1/4 SAE	12
6	05.0070	.PLUG, 1/2" HOLE, NYLON	2
7	35.0110	.GAUGE, HOUR/TACH DGTL 72" LEAD (Serial # 1001-1389)	1
7	35.0114	.GAUGE, HOUR/TACH DGTL 24" LEAD (Serial # 1390-)	1
8	00.0232	.DECAL, MAIN CONTROL PANEL	1
9	99.E0035	.NUT, SF #10-32	2
10	47.0244	.CABLE, THROTTLE 60" 1-5/8 TRAV (Serial # 1001-2230)	1
10	47.0338	.CABLE, THROTTLE/CHOKE (Serial # 2231)	1
11	47.0245	.KNOB, BLACK	1
12	90.0404	.BOLT, 1/4-20 USS X 1/2	5
13	62.1261	.PANEL, DASH (Serial # 1001-1611)	1
13	60.1066	.PANEL, DASH (Serial # 1612-)	1
14	99.SF0406	.BOLT, SF 1/4-20 X 3/4	6
15	99.SF04	.NUT, SF 1/4-20 USS	6
16	99.E0046	.NUT, "U" 1/4-20 EXTRUDED	6
17	60.0967	.COVER, HYDRAULIC ACCESS	1
19	99.B0051	.WASHER, FLAT #10	2
20	99.K0101	.MACHINE SCREW, #6-32 X 3/8	2
21	99.E0085	.LOCKNUT, NYLON #6-32	2
22	90.0408	.BOLT, 1/4-20 USS X 1	1
23	92.04	.NUT, 1/4-20 USS	1
24	05.0091	.PLUG, 1-1/4" HOLE, BLK PLASTIC	1
25	47.0339	.CABLE, PUSH/PULL W/O HANDLE (Serial # 2231)	1

FRAMES & DASH

ILLUSTRATED DRAWING STEERING COLUMN



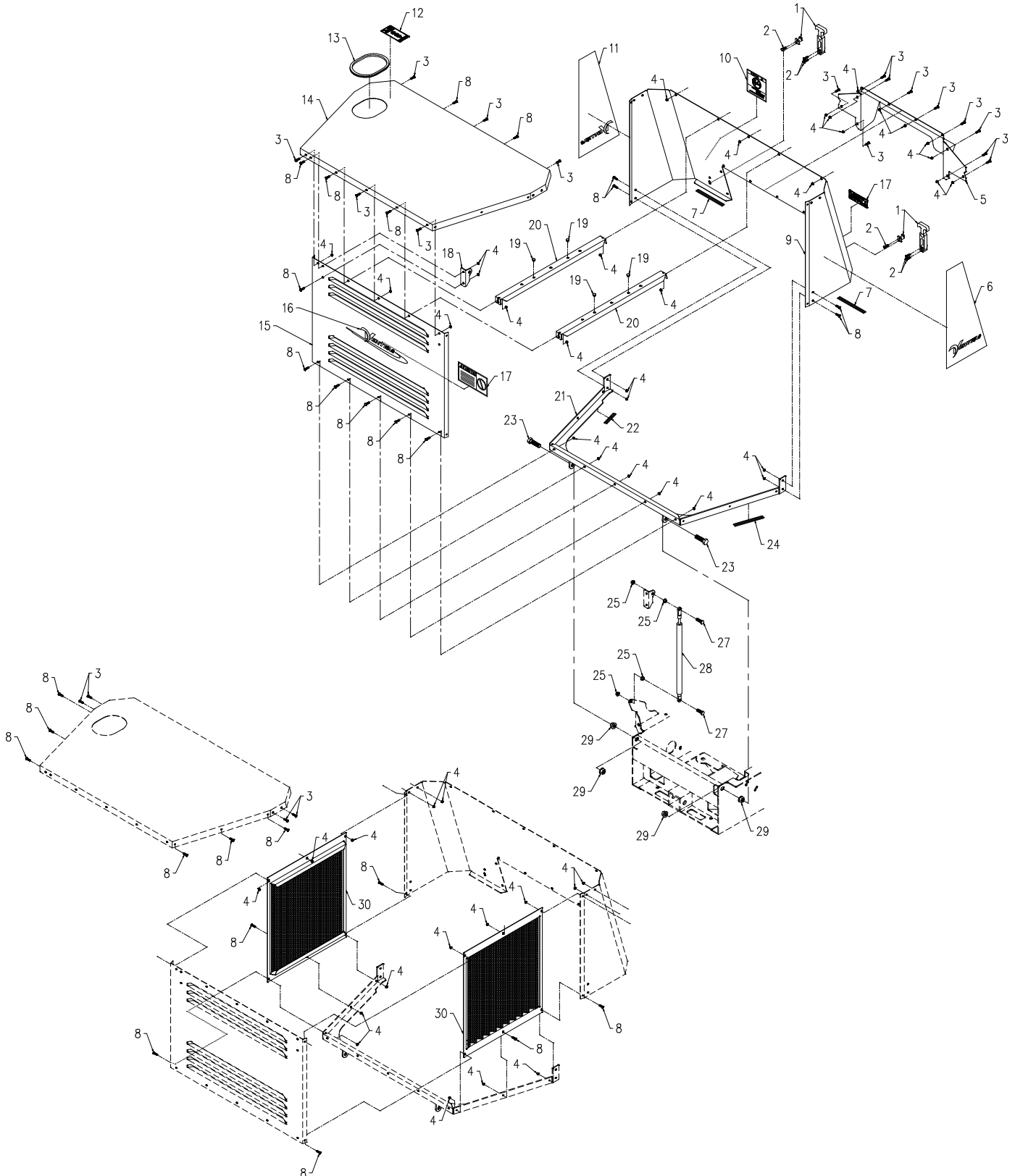
FRAMES & DASH

STEERING COLUMN

REF.	PART NO.	DESCRIPTION	QTY.
1	06.0042-45.25IN	.TRIM, TRIM LOC 1/2 X 1/16 X 45 1/4"	1
2	00.0192	.DECAL, V-DECAL DIE CUT BLUE	1
3	60.0965	.COVER, STEERING COLUMN	1
4	00.0239	.DECAL, 3200 BLUE W/WHITE TRIM	2
5	95.04	.WASHER, FLAT 1/4 SAE	8
6	99.SF0406	.BOLT, SF 1/4-20 X 3/4	8
7	00.0233-1	.DECAL, SELECTOR LEVER	1
8	35.0107	.ALARM, HIGH TEMP.	1
9	35.0100	.GAUGE, TEMP 250 DEGREE 2" DIA	1
10	35.0101	.GAUGE, VOLTMETER 12 VOLT	1
11	33.0031	.LIGHT, RED	1
12	33.0020	.LIGHT, AMBER	1
13	33.0032	.LIGHT, BLUE	1
14	99.E0046	.NUT, "U" 1/4-20 EXTRUDED	9
15	00.0233-2	.DECAL, DASH INDICATOR LIGHT	1
16	62.1262	.COLUMN, 3200 STEERING TILT	1
17	13.0078	.SWITCH, IGNITION DELTA	1
18	13.0080	.KEY, IGNITION DELTA	1
19	33.0043	.LIGHT, HEAD 12V 55W HALOGEN	1
	33.0037	.BULB, LIGHT(ONLY) FOR 55 WATT	1
20	05.0045	.GROMMET, 3/4ID,1 3/8OD,1/2THK	1
21	00.0190	.DECAL, ALL WHEEL DRIVE-ORBITAL	1
22	62.1263	.COLUMN, STEERING BASE	1
23	95.05	.WASHER, FLAT 5/16 SAE	12
24	90.0504	.BOLT, 5/16-18 USS X 1/2	3
25	90.0508	.BOLT, 5/16-18 USS X 1	1
26	00.0217	.DECAL, WARNING READ OWNERS MAN	1
27	00.0235-2	.DECAL, TILT STEERING	1
28	99.SF05	.NUT, SF 5/16-18 USS	9
29	90.0608	.BOLT, 3/8-16 USS X 1	2
30	95.06	.WASHER, FLAT 3/8 SAE	2
31	05.0083	.WASHER,PVC.375 ID X.875 X .062	2
32	99.A06	.LOCKNUT, STOVER 3/8-16 USS	2
33	47.0250	.SHOCK, GAS BLOC-O-LIFT LOCKING	1
34	90.0510	.BOLT, 5/16-18 USS X 1 1/4	1
35	90.0512	.BOLT, 5/16-18 USS X 1 1/2	1
36	60.0970	.COVER, STEERING COLUMN BASE	1
37	00.0291	.DECAL, WARNING HEARING PPE (Serial # 1808-)	1

FRAMES & DASH

ILLUSTRATED DRAWING HOOD



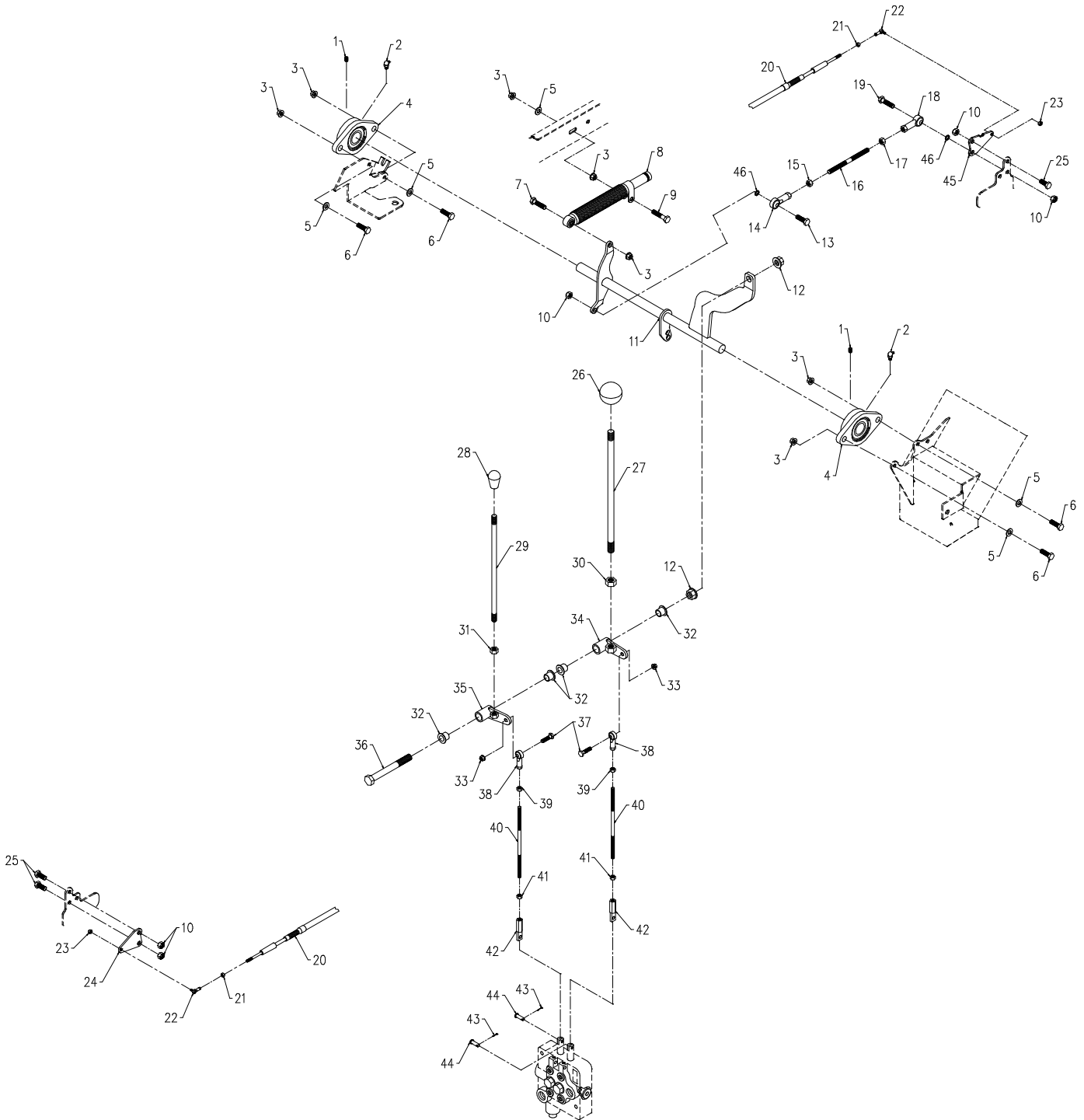
FRAMES & DASH

HOOD

REF.	PART NO.	DESCRIPTION	QTY.
1	47.0127	.LATCH, RUBBER DRAW T-HANDLE	2
2	99.K0072	.MACHINE SCREW, 10-24 X 1/2 ZP	6
3	99.K0042	.MACHINE SCREW, 10-32 X 3/8	20
4	99.E0035	.NUT, SF #10-32	47
5	60.0974	.COVER, HOOD FRONT	1
6	00.0237	.DECAL, LE HOOD - RIGHT SIDE	1
7	06.0045-6.5IN	.WEATHERSTRIP, 1/8 X 3/4 X 6 1/2"	2
8	99.K0062	.MACHINE SCREW, #10-32 X 1/2	27
9	60.0979	.HOOD, FRONT SIDE	1
10	00.0121	.DECAL, DANGER EXPLOSION HAZARD (Serial # 1001-2278)	1
11	00.0238	.DECAL, LE HOOD - LEFT SIDE	1
12	00.0333	.DECAL, DIESEL ONLY	1
13	06.0049-16.63IN	.TRIM, TRIM SEAL W/BULB X 16 5/8"	1
14	60.0980	.HOOD, TOP SIDE	1
15	60.0978	.GRILL, REAR	1
16	00.0189	.DECAL, VENTRAC ORBITAL	1
17	00.0124	.DECAL, WARNING BATTERY - GASES (Serial # 1001-2278)	1
17	00.0345	.DECAL, DANGER BATTERY (Serial # 2279-)	1
18	64.1276	.BRACKET, GAS DAMPER	1
19	05.0062	.BUMPER, RUBBER SOLID STEM	4
20	64.1304	.BRACKET, UPPER HOOD SUPPORT	2
21	64.1277	.BRACKET, HOOD SUPPORT	1
22	06.0045-3IN	.WEATHERSTRIP, 1/8 X 3/4 X 3"	1
23	90.0814	.BOLT, 1/2-13 USS X 1 3/4	2
24	06.0045-14IN	.WEATHERSTRIP, 1/8 X 3/4 X 14"	1
25	99.SF05	.NUT, SF 5/16-18 USS	4
27	90.0508	.BOLT, 5/16-18 USS X 1	2
28	47.0275	.DAMPER, HYDRAULIC 18"	1
29	99.SF08	.NUT, SF 1/2-13 USS	4
30	64.1279	.SCREEN, REAR HOOD SIDE	2

CONTROLS & LINKAGE

ILLUSTRATED DRAWING SDLA CONTROLS



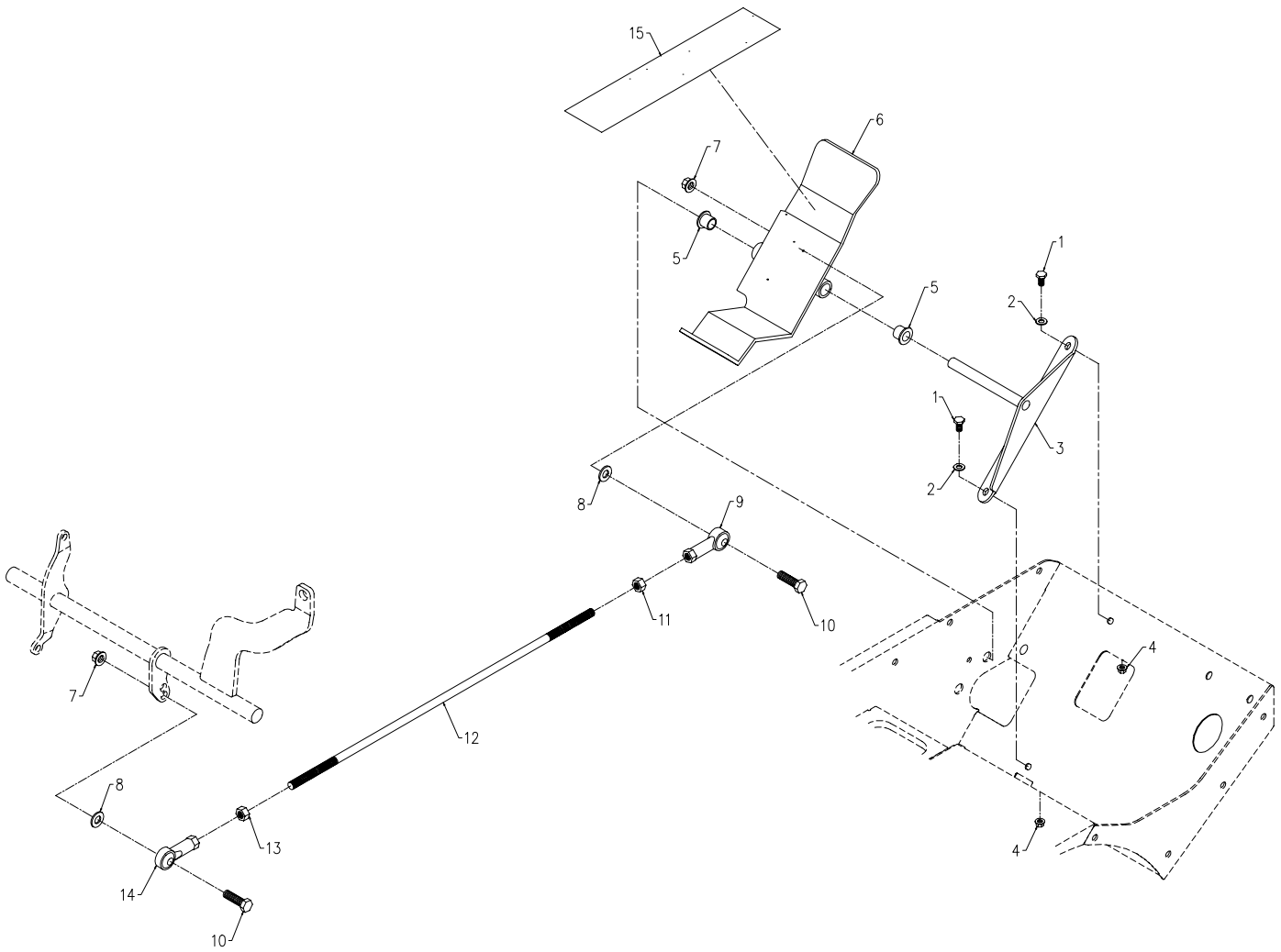
CONTROLS & LINKAGE

SDLA CONTROLS

REF.	PART NO.	DESCRIPTION	QTY.
1	85.SS14	.SET SCREW, 1/4-28 X 1/4"	2
2	29.GF0002	.GREASE FTG, 1/4 SAE 90°	2
3	99.SF05	.NUT, SF 5/16-18 USS	7
4	55.FB16012-1	.BEARING, FLANGE BLOCK 3/4"	2
5	95.05	.WASHER, FLAT 5/16 SAE	5
6	90.0508	.BOLT, 5/16-18 USS X 1	4
7	90.0510	.BOLT, 5/16-18 USS X 1 1/4	1
8	47.0242	.DAMPER, 2.625 STROKE GAS SHOCK	1
9	90.0512	.BOLT, 5/16-18 USS X 1 1/2	1
10	99.A05NFN	.LOCKNUT, NYLON 5/16-24 SAE ZP	5
11	42.0505	.LINKAGE, FORWARD/REVERSE	1
12	99.SF08	.NUT, SF 1/2-13 USS	2
13	91.0508	.BOLT, 5/16-24 SAE X 1	1
14	43.005L	.ROD END, 5/16 SPHERICAL (LH)	1
15	99.E0084	.NUT, 5/16-24 LEFT HAND ZP	1
16	42.0518	.ROD, THREAD 5/16-24 X4.5"LH/RH	1
17	93.05	.NUT, 5/16-24 SAE	1
18	43.005	.ROD END, 5/16 SPHERICAL	1
19	91.0510	.BOLT, 5/16-24 SAE X 1-1/4	1
20	47.0253	.CABLE, CONTROL - REAR AXLE LE (Serial # 1001-2230)	1
20	47.0337	.CABLE, CONTROL PUSH-PULL (Serial # 2231)	1
21	99.E0034	.NUT, #10-32	2
22	43.10-32S	.ROD END, 10/32 SPHERICAL W/STUD	2
23	99.A1032N	.LOCKNUT, NYLON 10-32 STAINLESS	2
24	60.0971	.PLATE, AXLE CABLE MOUNT	1
25	91.0506	.BOLT, 5/16-24 SAE X 3/4	3
26	47.0003	.KNOB, ROUND 2" X 1/2-13	1
27	40.0240	.HANDLE, F/R CONTROL YZP	1
28	47.0001	.KNOB, SM. #80 3/8-16 THREAD	1
29	40.0241	.HANDLE, AUX CONTROL YZP	1
30	92.08-4	.NUT, 1/2-13 YELLOW ZP	1
31	92.06-4	.NUT, 3/8-16 YELLOW ZP	1
32	85.B0027	.BUSHING, 1/2 ID X 5/8 OD X 5/8	4
33	99.SF04	.NUT, SF 1/4-20 USS	2
34	42.0503	.ARM, PIVOT SDLA LIFT	1
35	42.0504	.ARM, PIVOT SDLA AUX	1
36	90.0836	.BOLT, 1/2-13 USS X 4 1/2	1
37	90.0408	.BOLT, 1/4-20 USS X 1	2
38	43.004	.ROD END, 1/4 SPHERICAL	2
39	93.04	.NUT, 1/4-28 SAE	2
40	42.0515	.ROD, THREAD 1/4-28 X 7" LH/RH	2
41	99.E0081	.NUT, 1/4-28 LH GRADE 8 YZ	2
42	43.004-4	.ROD END, 1/4-28LH YZP VAL CTRL	2
43	02.CP0204	.COTTER PIN, 1/16 X 1/2	2
44	03.0406	.CLEVIS PIN, 1/4 X 3/4	2
45	60.0971	.PLATE, AXLE CABLE MOUNT (Serial # 1001-1712)	1
45	64.1536	.PLATE, FRONT AXLE CABLE MOUNT (Serial # 1713-)	1
46	99.B0102	.WASHER, .313ID X .438OD X .062	2

CONTROLS & LINKAGE

ILLUSTRATED DRAWING FOOT PEDAL



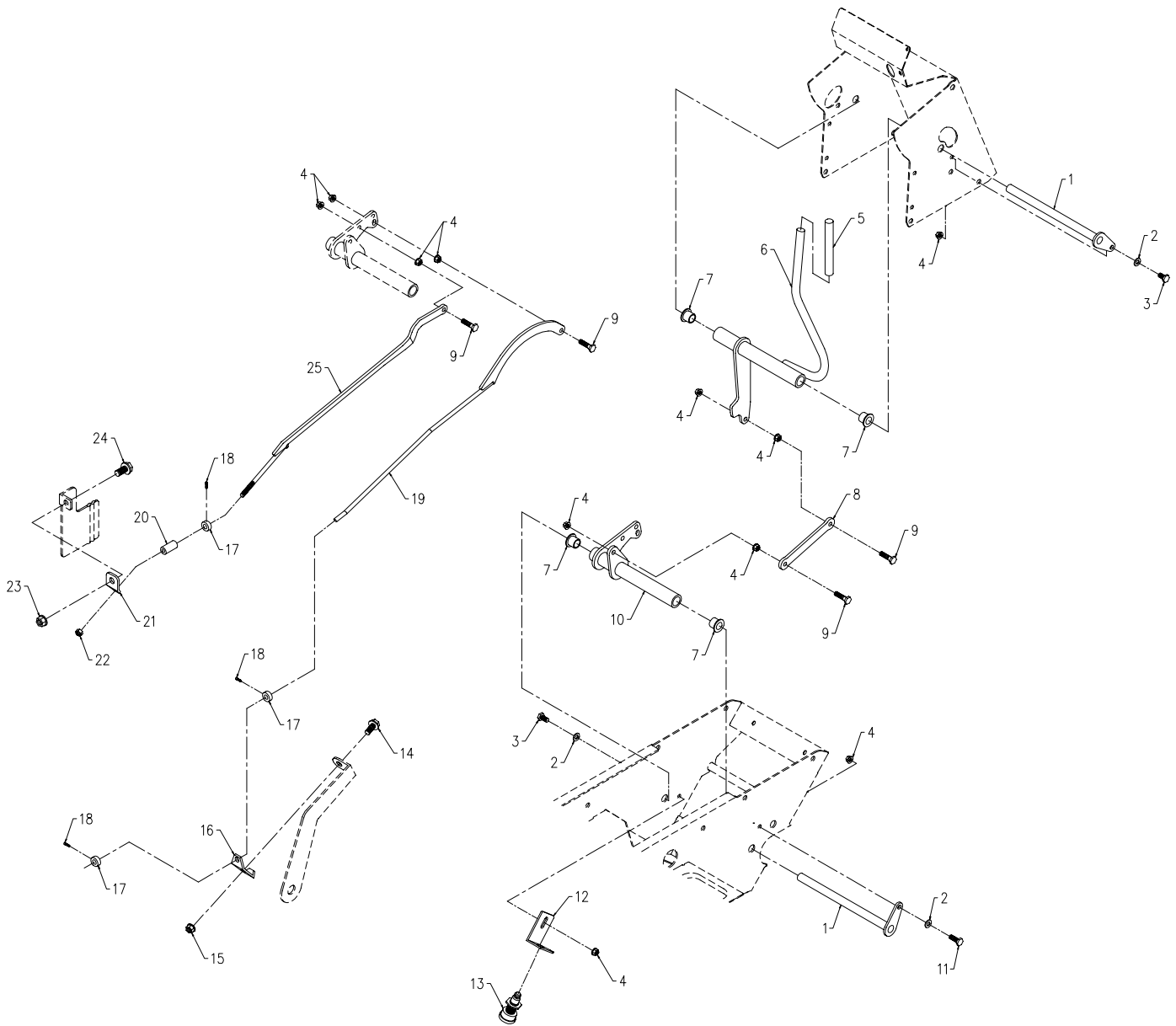
CONTROLS & LINKAGE

FOOT PEDAL

REF.	PART NO.	DESCRIPTION	QTY.
1	90.0404	.BOLT, 1/4-20 USS X 1/2	2
2	95.04	.WASHER, FLAT 1/4 SAE	2
3	42.0506	.PIVOT, FOOT PEDAL	1
4	99.SF04	.NUT, SF 1/4-20 USS	2
5	85.B0027	.BUSHING, 1/2 ID X 5/8 OD X 5/8	2
6	62.1260	.PEDAL, FOOT	1
7	99.SF06	.NUT, SF 3/8-16 USS	2
8	95.06	.WASHER, FLAT 3/8 SAE	2
9	43.006L	.ROD END, 3/8 SPHERICAL LH THRD	1
10	90.0610	.BOLT, 3/8-16 USS X 1 1/4	2
11	99.E0083	.NUT, JAM 3/8-24 SAE LH ZP	1
12	42.0516	.ROD, THREAD 3/8-24X20.25 LH/RH	1
13	93.06	.NUT, 3/8-24 SAE	1
14	43.006	.ROD END, 3/8 SPHERICAL	1
15	44.0275	.FLEX TREAD, FOOT PEDAL	1

CONTROLS & LINKAGE

ILLUSTRATED DRAWING PARK BRAKE



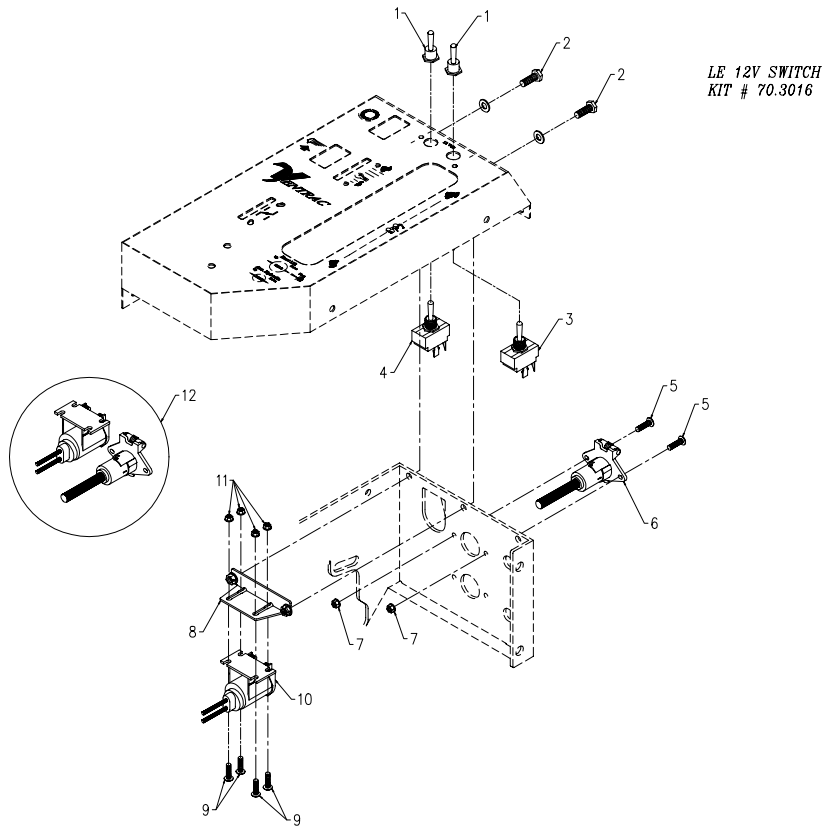
CONTROLS & LINKAGE

PARK BRAKE

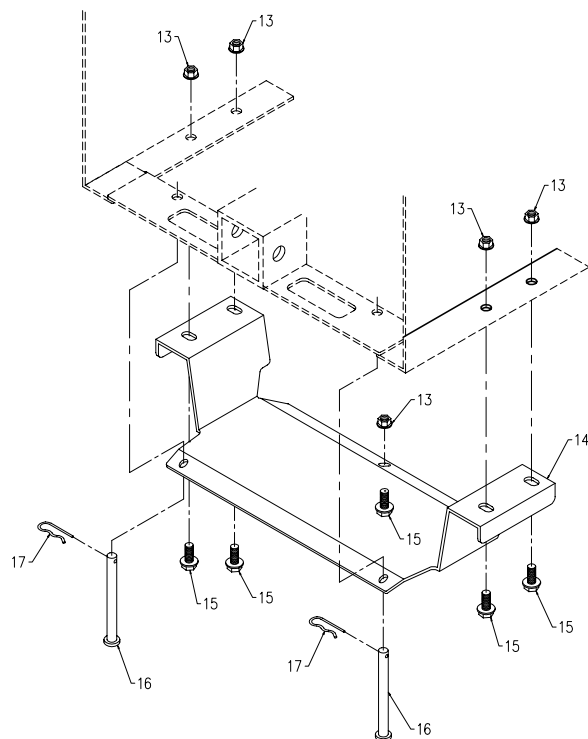
REF.	PART NO.	DESCRIPTION	QTY.
1	64.1260	.PIN, PIVOT	2
2	95.04	.WASHER, FLAT 1/4 SAE	3
3	90.0404	.BOLT, 1/4-20 USS X 1/2	2
4	99.SF04	.NUT, SF 1/4-20 USS	11
5	06.0059	.CAP, VINYL 1/2" X 4" LONG	1
6	40.0344	.HANDLE, PARK/CRUISE SELECTOR	1
7	85.B0027	.BUSHING, 1/2 ID X 5/8 OD X 5/8	4
8	42.0508	.LINKAGE, MASTER LOCK OUT	1
9	90.0408	.BOLT, 1/4-20 USS X 1	4
10	64.1257	.ROCKER, MASTER LOCK OUT	1
11	90.0406	.BOLT, 1/4-20 USS X 3/4	1
12	64.1264	.PLATE, NEUTRAL SWITCH MOUNT	1
13	31.0044	.SWITCH, PUSH BUTTON - NEUTRAL	1
14	99.SF0506	.BOLT, SF 5/16-18 USS X 3/4	1
15	99.SF05	.NUT, SF 5/16-18 USS	1
16	64.0782	.EXTENSION, NEUTRAL ARM	1
17	85.SC05	.SET COLLAR, 5/16"	3
18	99.K0073	.BOLT, SHCS 10-32 X 1/2 ZP	3
19	42.0501	.LINK, NEUTRAL	1
20	05.0065	.SPACER, 1/4 ID X 1/2 OD X 1 LG	1
21	64.0781	.EXTENSION, BRAKE LEVER	1
22	99.A04NFN	.LOCKNUT, NYLON 1/4-28	1
23	99.SF06	.NUT, SF 3/8-16 USS	1
24	99.SF0606	.BOLT, SF 3/8-16 USS X 3/4	1
25	42.0502	.LINK, BRAKE	1

OPTIONS

ILLUSTRATED DRAWING 12V SWITCH KIT, REAR WEIGHT BRACKET KIT



LE REAR WEIGHT BRACKET
KIT # 70.3017



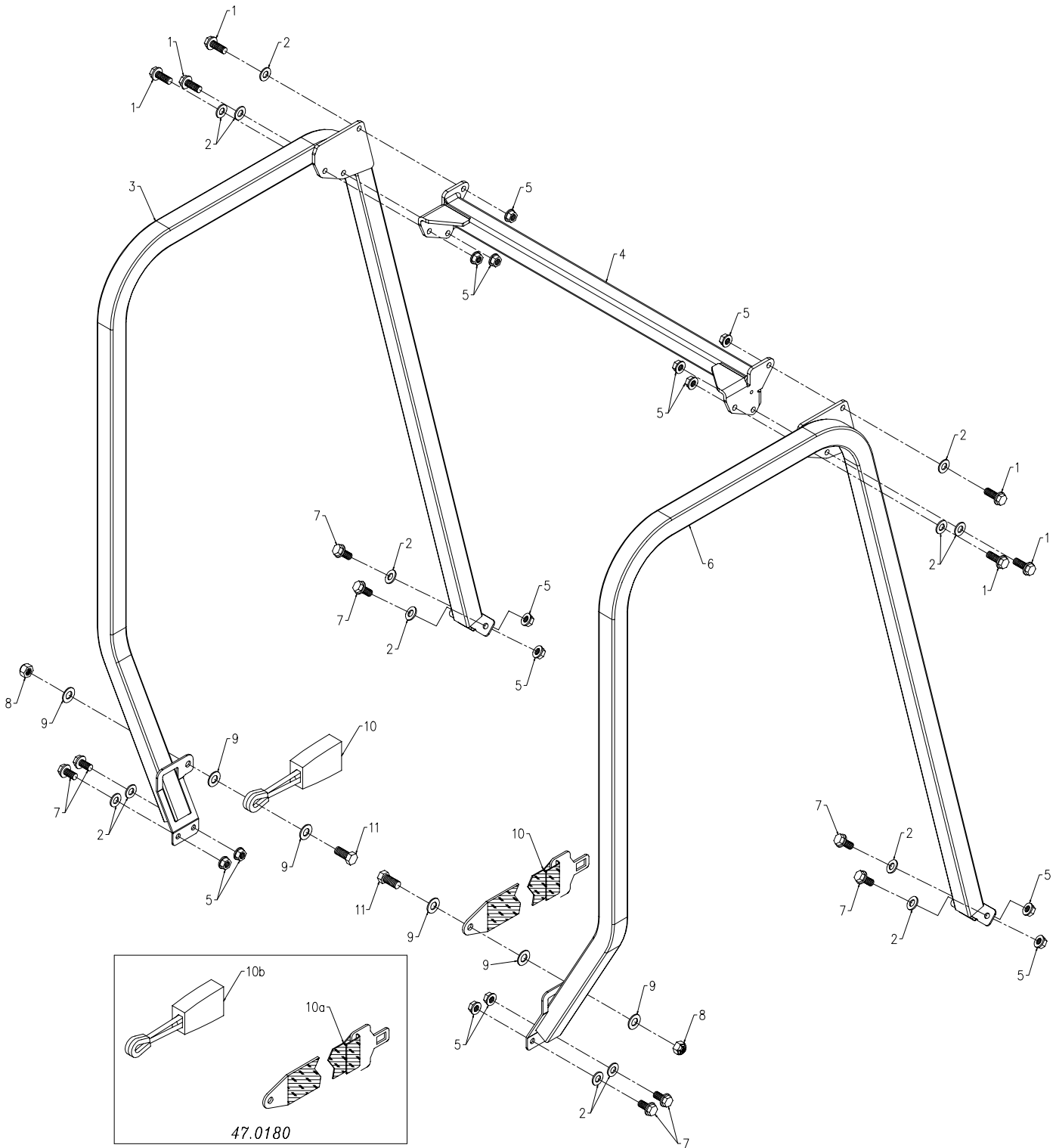
OPTIONS

12V SWITCH KIT, REAR WEIGHT BRACKET KIT

REF.	PART NO.	DESCRIPTION	QTY.
1	30.0157	.BOOT, TOGGLE SWITCH	2
2	90.0406	.BOLT, 1/4-20 USS X 3/4	2
3	31.0034	.SWITCH, TOGGLE ON/OFF SPST	1
4	31.0041	.SWITCH, TOGGLE DPDT MOOFFMO	1
5	99.K0062	.MACHINE SCREW, #10-32 X 1/2	2
6	30.0219	.SOCKET, TRAILER 4-PIN FEMALE	1
7	99.E0035	.NUT, SF #10-32	2
8	64.1295	.BRACKET, 12 VOLT ELECTRICAL	1
9	99.K0041	.MACHINE SCREW, #8-32 X 1/2	4
10	30.0221	.OUTLET, 12 VOLT ALL WEATHER	1
11	99.E0062	.NUT, SF#8-32	4
12	32.0084	.HARNESS, WIRE - LE31/3200 12 V	1
13	99.SF05	.NUT, SF 5/16-18 USS	5
14	64.1290	.BRACKET, WEIGHT BAR	1
15	99.SF0506	.BOLT, SF 5/16-18 USS X 3/4	5
16	03.0632	.CLEVIS PIN, 3/8 X 4	2
17	02.HP0416	.HAIRPIN, 1/8 X 2	2

OPTIONS

ILLUSTRATED DRAWING ROLL CAGE KIT # 70.3015



OPTIONS

ROLL CAGE KIT # 70.3015

REF.	PART NO.	DESCRIPTION	QTY.
1	99.SF0608	.BOLT, SF 3/8-16 USS X 1	6
2	95.06	.WASHER, FLAT 3/8 SAE	14
3	64.1274	.ROLLBAR, LEFT SIDE LE	1
4	64.1303	.BRACE, FRONT CROSSMEMBER LE	1
5	99.SF06	.NUT, SF 3/8-16 USS	14
6	64.1273	.ROLLBAR, RIGHT SIDE LE	1
7	99.SF0606	.BOLT, SF 3/8-16 USS X 3/4	8
8	99.A07	.LOCKNUT, STOVER 7/16-14 USS	2
9	95.07	.WASHER, FLAT 7/16 SAE	6
10	47.0180	.SEAT BELT, LAP N/C SWITCH 60"	1
10A	47.0180-1	.SEAT BELT, 60" LAP BELT RT SID	1
10B	47.0180-2	.SEAT BELT, BUCKLE W N/C SWTCH	1
11	90.0708	.BOLT, 7/16-14 USS X 1	2