



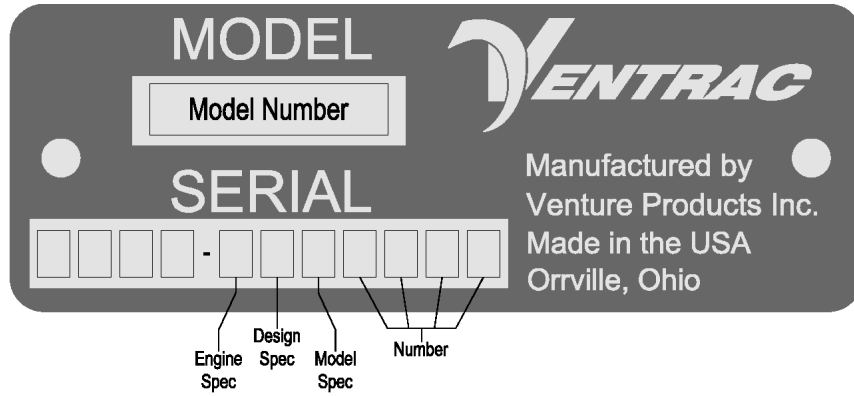
PARTS MANUAL

Ventrac RT7200



Revised 02/03/20
09.20009 Rev. 03

SERIAL NUMBER DESCRIPTION



ENGINE

W VANGUARD 31 HP 950DT TURBO DIESEL

TABLE OF CONTENTS

ELECTRICAL	PAGE 5
WIRING DIAGRAM	5
ELECTRICAL PANEL & DASH C ONTROLS	6
HYDRAULICS	PAGE 8
HYDRAULIC DIAGRAM.....	8
HYDRAULIC STEERING, LIFT, & AUXILIARY	10
HYDRAULIC DRIVE.....	12
HYDRAULIC FILTER & TANK	14
MODEL 15 PUMP	16
ENGINE	PAGE 18
VANGUARD ENGINE	18
ENGINE MOUNT	20
PUMP & PTO DRIVES	22
COOLING SYSTEM	24
AIR INTAKE & EXHAUST	26
FUEL SYSTEM	28
FRAMES & COVERS	PAGE 30
MAIN FRAME	30
FRONT FRAME	32
FRONT FENDERS	34
DASH.....	36
HOOD.....	38
SEAT & ROLL BAR.....	40
STEERING COLUMN	42
FRONT HITCH.....	44
REAR AXLE & TIRES.....	46
CONTROLS & LINKAGE	PAGE 48
SDLA & FOOT PEDAL	48
PUMP CONTROL LINKAGE	50
PARKING BRAKE & NEUTRAL ROD LINKAGE.....	52
DRUM BRAKES & TIRES.....	54
WEIGHT TRANSFER.....	56
OPTIONS	PAGE 58
12 VOLT ACCESSORY OPTION.....	58

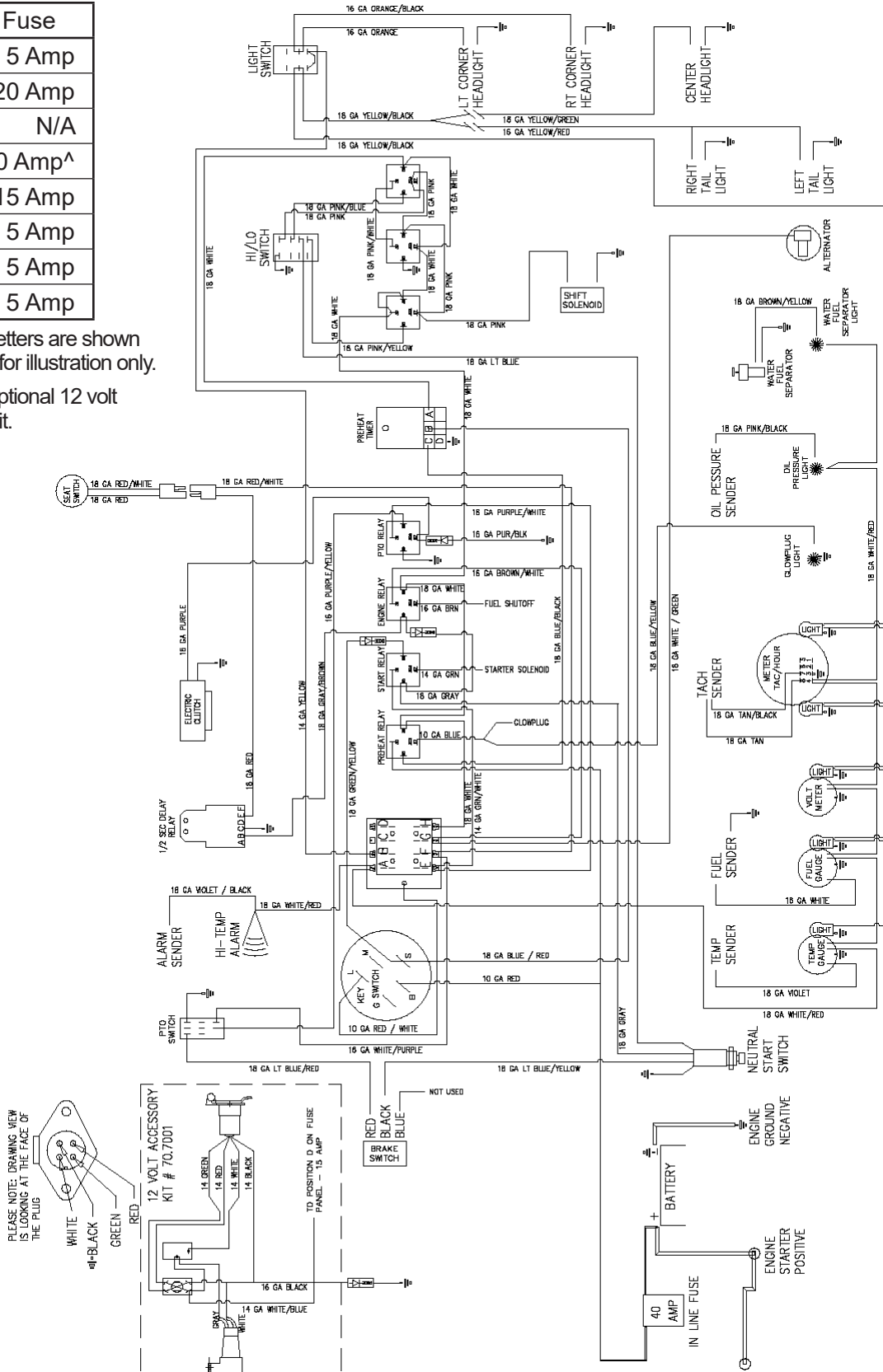
ELECTRICAL

ILLUSTRATED DRAWING WIRING DIAGRAM

Ref.*	Fuse
A	5 Amp
B	20 Amp
C	N/A
D	20 Amp [^]
E	15 Amp
F	5 Amp
G	5 Amp
H	5 Amp

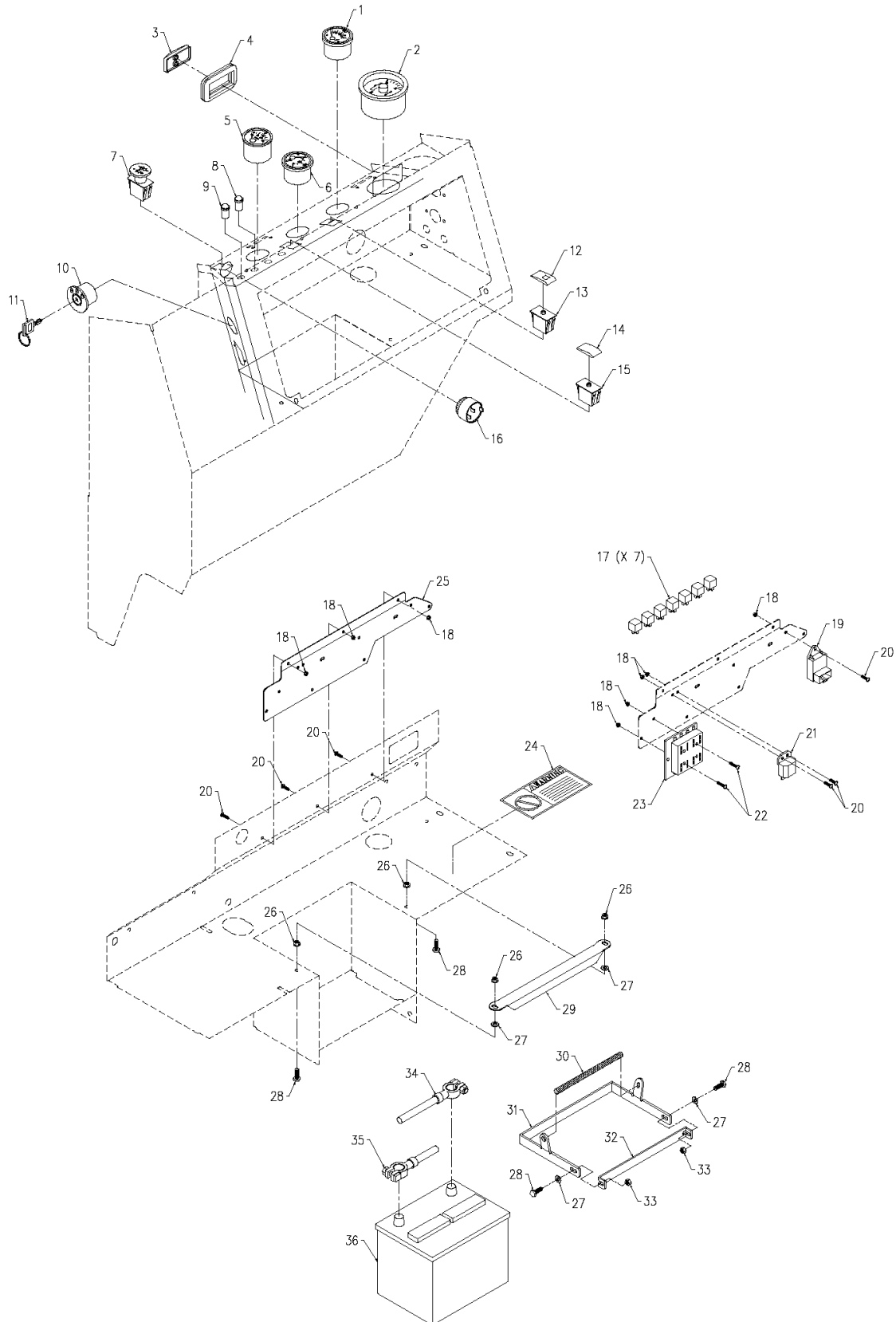
* Reference letters are shown on diagram for illustration only.

[^] Used with optional 12 volt accessory kit.



ELECTRICAL

ILLUSTRATED DRAWING ELECTRICAL PANEL & DASH CONTROLS



ELECTRICAL

ELECTRICAL PANEL & DASH CONTROLS

REF.	PART NO.	DESCRIPTION	QTY.
1	35.0101	.GAUGE, VOLTMETER 12 VOLT	1
2	35.0102	.TACHOMETER, WITH HOUR METER	1
3	33.0045	.LIGHT, SEALED MARKER RED	1
4	05.0104	.GROMMET, MARKER LIGHT	1
5	35.0100	.GAUGE, TEMP 250 DEGREE 2" DIA	1
6	35.0108	.GAUGE, FUEL	1
7	31.0043	.SWITCH, PTO - PUSH/PULL	1
8	33.0020	.LIGHT, AMBER	1
9	33.0032	.LIGHT, BLUE	1
10	13.0078	.SWITCH, IGNITION DELTA	1
11	13.0080	.KEY, IGNITION DELTA	1
12	31.0038	.ROCKER, SWITCH SOFT/BK/AMB LEN	1
13	31.0046	.SWITCH, ROCKER FOR HI/LO SHIFT	1
14	31.0037	.ROCKER, SWITCH SOFT/BLK/NO LEN	1
15	31.0035	.SWITCH, CONTOUR OFF-ON-ON	1
16	35.0107	.ALARM, HIGH TEMP.	1
17	35.0103	.RELAY, 50 AMP 5 POLE	7
18	99.E0035	.NUT, SF #10-32	8
19	13.0071	.TIMER, GLOW PLUG-VANGUARD	1
20	99.K0062	.MACHINE SCREW, #10-32 X 1/2	6
21	35.0106	.TIME DELAY, .5 SECOND	1
22	99.K0059	.MACHINE SCREW, #10-32 X 1	2
23	30.0185	.FUSE PANEL, 8 CIRCUIT ATC BLADE	1
24	00.0124	.DECAL, WARNING BATTERY - GASES	1
25	60.0938	.PANEL, ELECTRICAL MOUNT	1
26	99.SF04	.NUT, SF 1/4-20 USS	4
27	95.04	.WASHER, FLAT 1/4 SAE	4
28	90.0406	.BOLT, 1/4-20 USS X 3/4	4
29	64.1211	.BRACKET, BATTERY TIE DOWN	1
30	57.0086-16IN	.ROPE, 1/4" DIA POLYESTER X 16"	1
31	64.1313	.BRACKET, BATTERY LIFTING CLAMP	1
32	64.1314	.BRACKET, BATTERY LIFTING STRAP	1
33	99.A04	.LOCKNUT, STOVER 1/4-20 USS	2
34	32.0086	.CABLE, BAT. NEG WITH TERM CAP	1
35	32.0081	.CABLE, ASM POS BATTERY 43"	1
36	33.0030	.BATTERY, 450 CCA	1
37	32.0085	.HARNESS, WIRE - RT7200 31TD	1

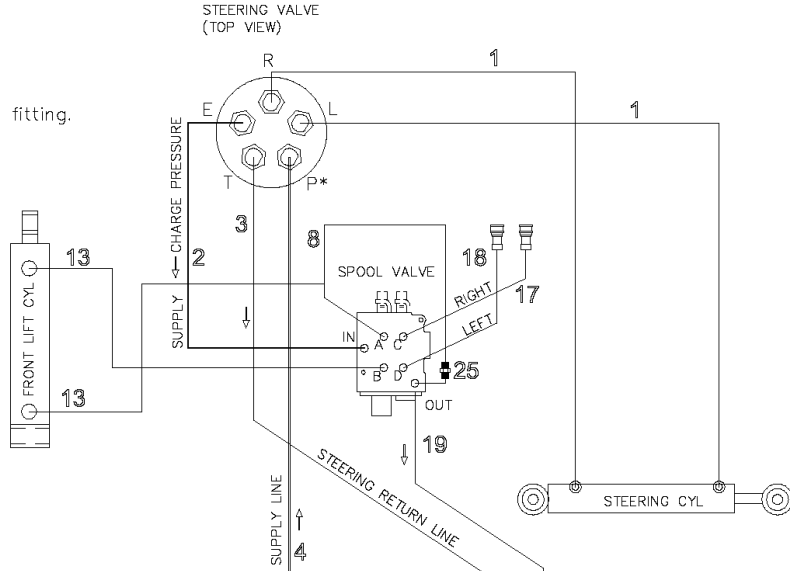
HYDRAULICS

ILLUSTRATED DRAWING HYDRAULIC DIAGRAM

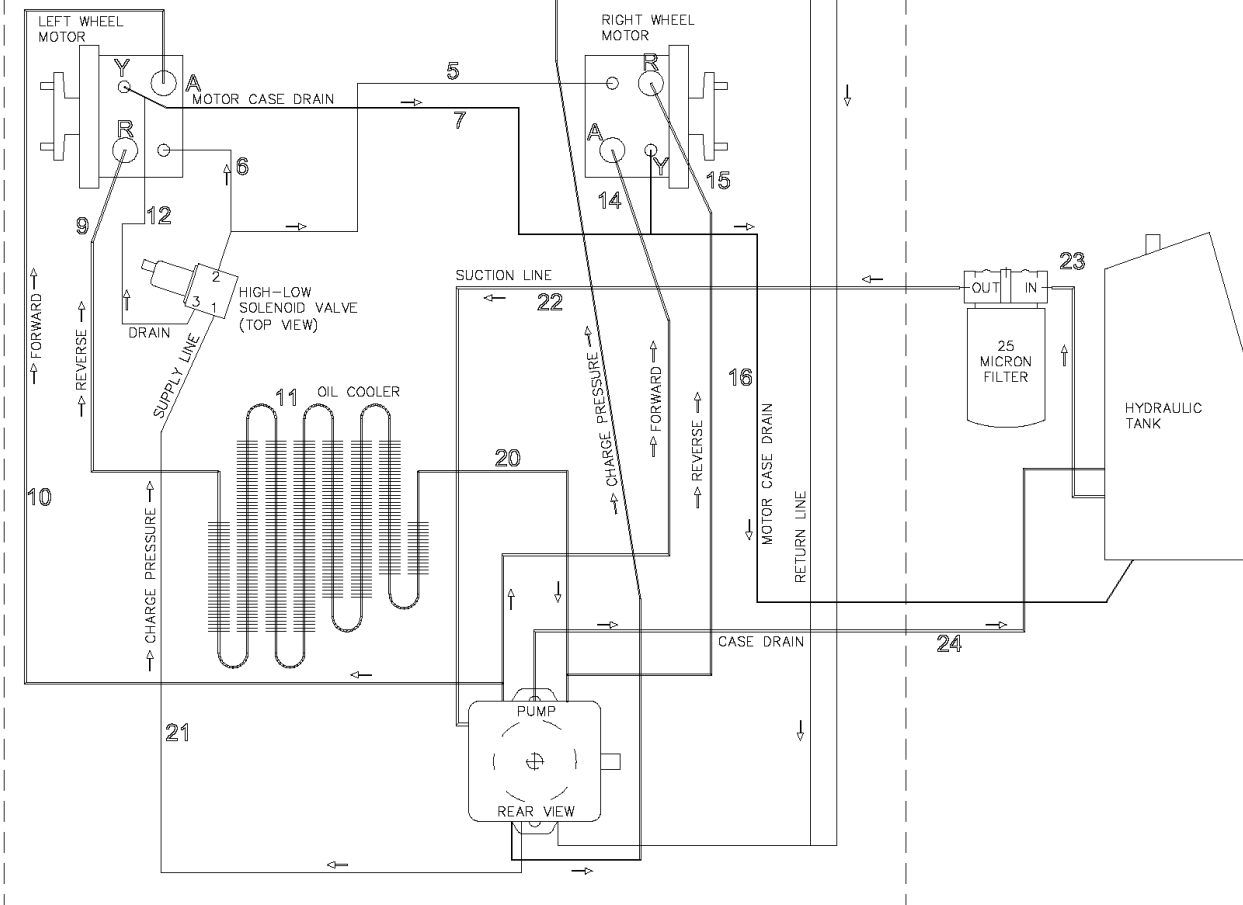
ALL VIEWS ARE FROM REAR OF TRACTOR, OR AS NOTED

OPEN LOOP IMPLEMENT CIRCUIT

*Note: "P" port on steering unit has checkball & plunger assembly. Do not remove stem fitting.



CLOSED LOOP DRIVE CIRCUIT



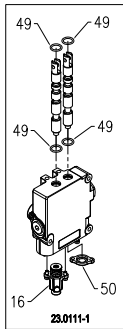
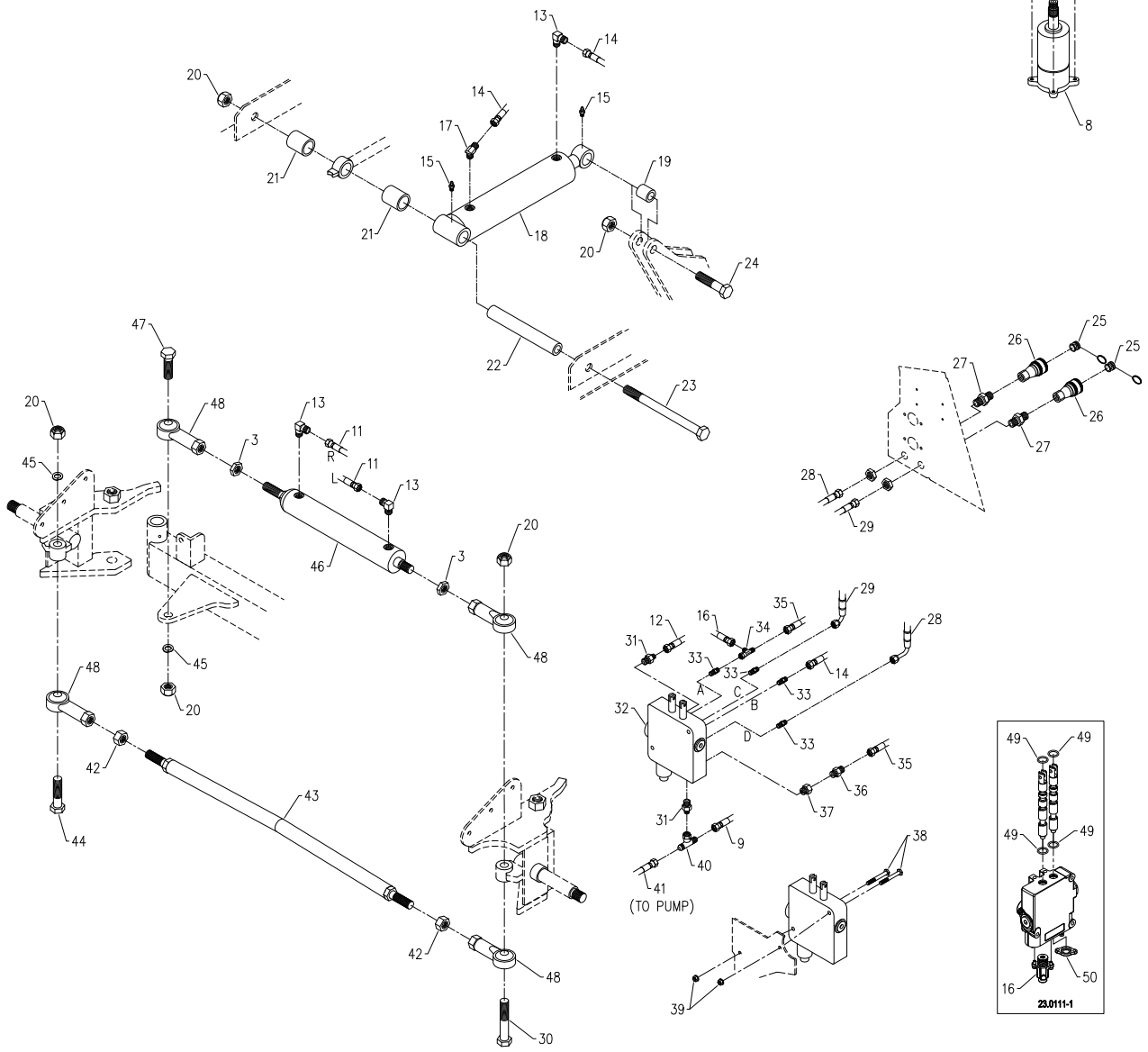
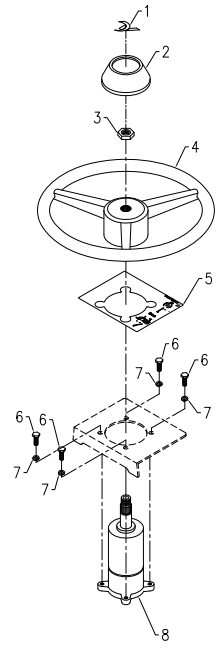
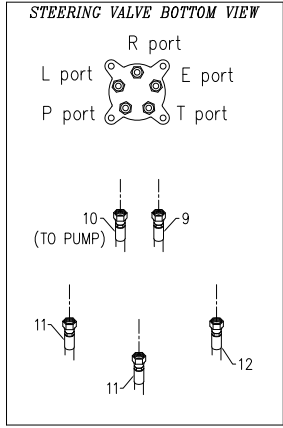
HYDRAULICS

HYDRAULIC DIAGRAM

REF.	PART NO.	DESCRIPTION	QTY.
1	20.0231	.HOSE, ASM C 1/4 X 112" -2750	2
2	20.0257	.HOSE,ASM 3/8X55 CPE SAE100R1AT.	1
3	20.0230	.HOSE, ASM C 1/4 X 60"-2750	1
4	20.0236	.HOSE, ASM 3/8X109CPESAE100R1AT	1
5	20.0228	.HOSE, ASM C 1/4 X 28" - 2750	1
6	20.0227	.HOSE, ASM C 1/4 X 11" - 2750.	1
7	20.0235	.HOSE, ASM C 3/8 X 42" - 2500	1
8	20.0150	.HOSE, ASM X 11-1/2" 1/4-1W.	1
9	20.0250	.STEEL TUBE, 1/2 OD X .065 W.	1
10	20.0251	.STEEL TUBE, 1/2 OD X .065 W.	1
11	20.0238	.TUBE, OIL COOLING HI PRESSURE	1
12	20.0259	.HOSE, ASM C 1/4 X 20" 2750	1
13	20.0158	.HOSE, ASM X 13-1/2" 1/4-1W	2
14	20.0252	.STEEL TUBE, 1/2 OD X .065 W.	1
15	20.0253	.STEEL TUBE, 1/2 OD X .065 W.	1
16	20.0234	.HOSE, ASM C 3/8 X 37" - 2500	1
17	20.0233	.HOSE, ASM C 1/4X17-1/2" 2750	1
18	20.0232	.HOSE, ASM C 1/4 X 19" - 2750	1
19	20.0173	.HOSE, ASM X 42" 1/4-1 W.	1
20	20.0240	.STEEL TUBE, 1/2 OD X .065 W.	1
21	20.0229	.HOSE, ASM C 1/4 X 39" - 2750	1
22	20.0256	.STEEL TUBE, 3/4 OD X .049 W.	1
23	20.0255	.STEEL TUBE, 3/4 OD X .049 W.	1
24	20.0254	.STEEL TUBE, 1/2 OD X .049 W.	1
25	23.0143	.VALVE, CHECK - 100 PSI	1

HYDRAULICS

ILLUSTRATED DRAWING HYDRAULIC STEERING, LIFT, & AUXILIARY



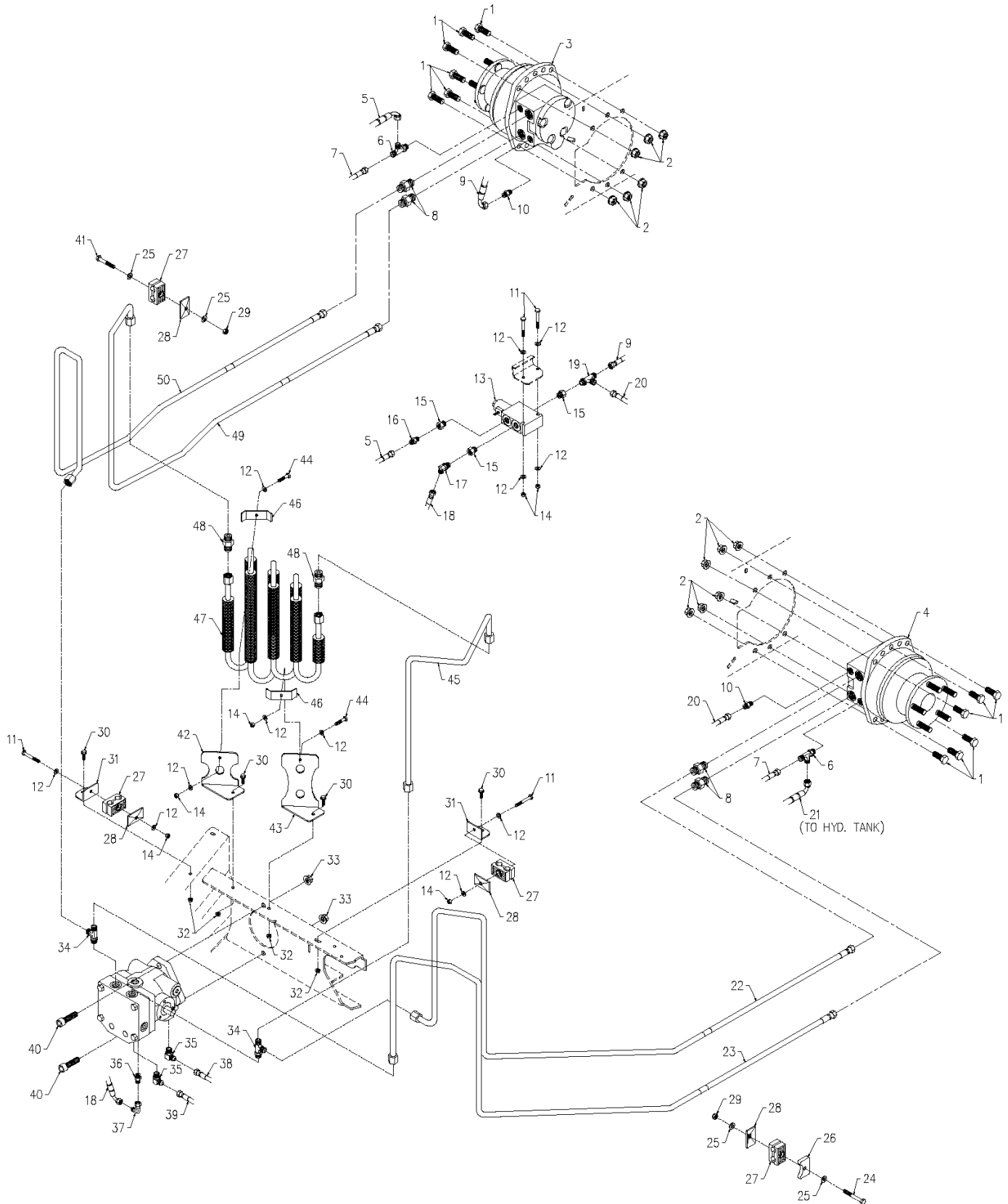
HYDRAULICS

HYDRAULIC STEERING, LIFT, & AUXILIARY

REF.	PART NO.	DESCRIPTION	QTY.
1	00.0207	.DECAL, VENTRAC DOME	1
2	47.0118	.CAP, STEERING WHEEL	1
3	99.E0011	.NUT, JAM 5/8 SAE	3
4	47.0117	.STEERING WHEEL, 16MM X 40T	1
5	00.0244-3	.DECAL, STEERING COLUMN/PARK	1
6	99.M0009	.BOLT, M8 X 1.25 P X 25 MM LONG	4
7	96.05	.WASHER, LOCK 5/16	4
8	23.0113	.VALVE, STEERING-DANFOSS 100CC	1
8	89.0095	.KIT, SEAL 23.0113 STEER VALVE	1
9	20.0230	.HOSE, ASM C 1/4 X 60"-2750	1
10	20.0236	.HOSE, ASM 3/8X109CPESAE100R1AT	1
11	20.0231	.HOSE, ASM C 1/4 X 112"-2750	2
12	20.0257	.HOSE,ASM 3/8X55 CPE SAE100R1AT	1
13	25.6801-06-06	.FITTING, 90 ME 3/8 X 3/8	3
14	20.0158	.HOSE, ASM X 13-1/2" 1/4-1W	2
15	29.GF0001	.GREASE FTG, 1/4 SAE ST	2
16	23.0111-7	.KIT, SPOOL FLOAT FOR 23.0111	1
17	25.6802-06-06	.FITTING, 45 ME 3/8 X 3/8	1
18	23.0128	.CYLINDER, 2" X 8" LIFT	1
19	64.1229	.BUSHING, LIFT CYLINDER SHORT	1
20	99.A10	.LOCKNUT, STOVER 5/8-11 USS	5
21	64.1230	.BUSHING, WEIGHT TRANS SPACER	2
22	64.1228	.BUSHING, LIFT CYLINDER LONG	1
23	90.1064	.BOLT, 5/8-11 USS X 8	1
24	90.1022	.BOLT, 5/8-11 USS X 2 3/4	1
25	23.0126	.PLUG, NYLON FOR 23.0106	2
26	23.0106	.COUPLER, HYD. QUICK FEMALE 1/4	2
27	25.2706-04-06LN	.FITTING, BULKHEAD W/LOCKNUT	2
28	20.0232	.HOSE, ASM C 1/4 X 19" - 2750	1
29	20.0233	.HOSE, ASM C 1/4X17-1/2" 2750	1
30	90.1028	.BOLT, 5/8-11 USS X 3 1/2	1
31	25.6400-06-08	.FITTING, M CONN 3/8 X 1/2	2
32	23.0111-1	.VALVE, HY 2 SPL W/LH FLT,RH SP	1
33	25.6400-06-06	.FITTING, M CONN 3/8 X 3/8	4
34	25.6602-6-6-6	.FITTING, TEE SINGLE SWIVEL 3/8	1
35	20.0150	.HOSE, ASM X 11-1/2" 1/4-1W	1
36	23.0143	.VALVE, CHECK - 100 PSI	1
37	25.6410-08-06	.FITTING, M/F O-RING 1/2 X 3/8	1
38	90.0416	.BOLT, 1/4-20 USS X 2	2
39	99.SF04	.NUT, SF 1/4-20 USS	2
40	25.6600-6-6-6	.FITTING, 3/8 SWIVEL TEE	1
41	20.0173	.HOSE, ASM X 42" 1/4-1 W	1
42	93.10	.NUT, 5/8-18 SAE	2
43	42.0486	.LINK, STEERING WHEEL CONNECT	1
44	90.1020	.BOLT, 5/8-11 USS X 2 1/2	1
45	96.10	.WASHER, LOCK 5/8	2
46	23.0140	.CYLINDER, 1-1/2 X 8 STEERING	1
47	90.1016	.BOLT, 5/8-11 USS X 2	1
48	43.010	.ROD END, 5/8 SPHERICAL	4
49	26.0027	.O-RING 5/8ID X 13/16OD X 3/32	4
50	23.0111-8	.CAP, VALVE	1

HYDRAULICS

ILLUSTRATED DRAWING HYDRAULIC DRIVE



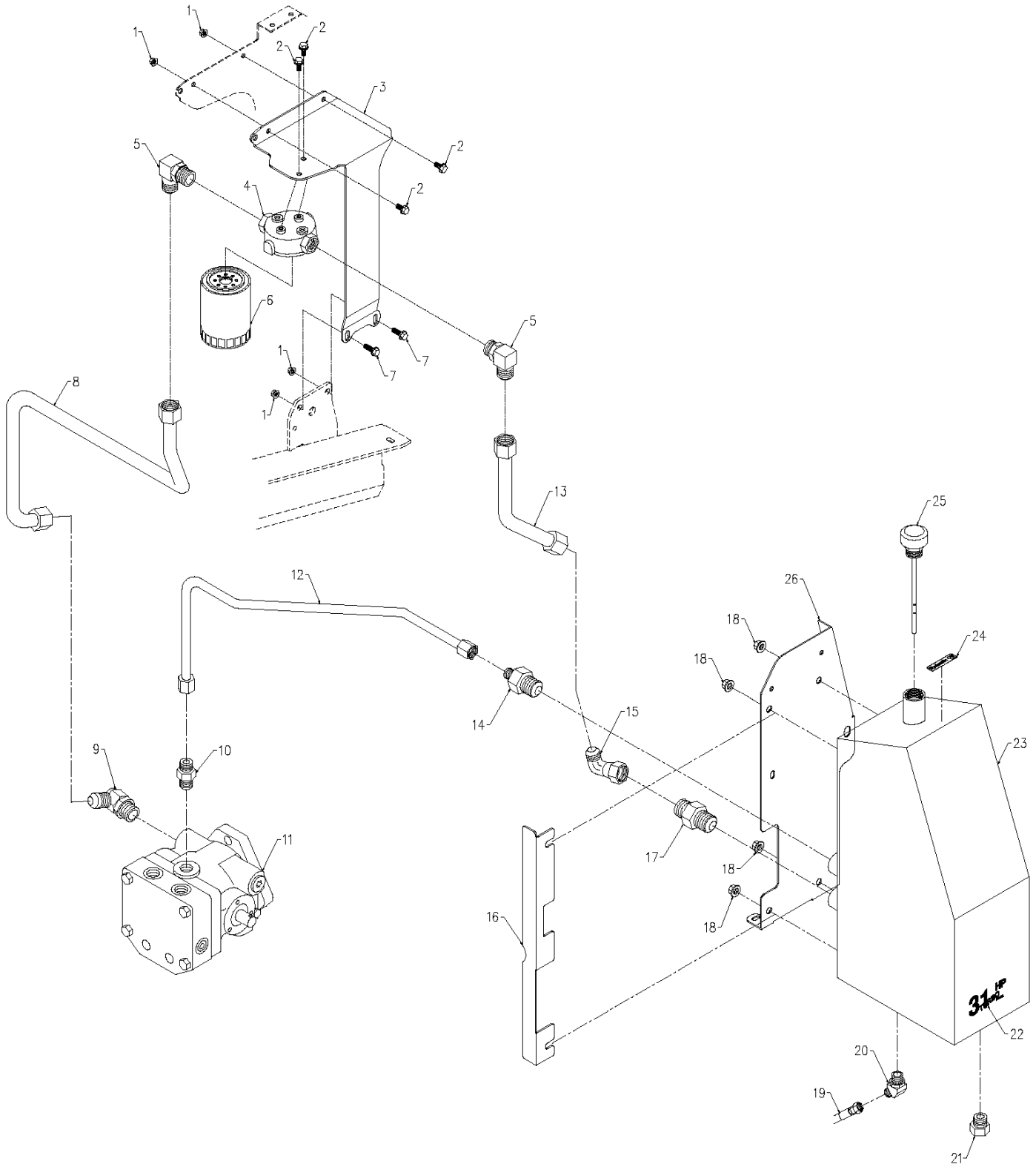
HYDRAULICS

HYDRAULIC DRIVE

REF.	PART NO.	DESCRIPTION	QTY.
1	90.0810	.BOLT, 1/2-13 USS X 1 1/4	12
2	99.SF08	.NUT, SF 1/2-13 USS	12
3	21.0112	.MOTOR, WHEEL LEFT HYDRAULIC	1
	26.0041	.O-RING, AS568A -152 VITON	1
	26.0042	.O-RING, AS568A -121 VITON	1
4	21.0111	.MOTOR, WHEEL RIGHT HYDRAULIC	1
	26.0041	.O-RING, AS568A -152 VITON	1
	26.0042	.O-RING, AS568A -121 VITON	1
5	20.0259	.HOSE, ASM C 1/4 X 20" 2750	1
6	25.6804-6-6-6	.FITTING, M TEE 3/8 X 3/8 X 3/8	2
7	20.0235	.HOSE, ASM C 3/8 X 42" - 2500	1
8	25.4315-08-10	.FITTING, -8 MORFS X -10 MORB	4
9	20.0227	.HOSE, ASM C 1/4 X 11" - 2750	1
10	25.6400-04-06	.FITTING, M CONN 1/4 X 3/8	2
11	90.0416	.BOLT, 1/4-20 USS X 2	4
12	95.04	.WASHER, FLAT 1/4 SAE	12
13	23.0141	.VALVE, SOLENOID 12 V HI-LOW	1
14	99.A04	.LOCKNUT, STOVER 1/4-20 USS	6
15	25.6410-08-04	.FITTING, M/F O-RING 1/2 X 1/4	3
16	25.6400-06-04	.FITTING, M CONN 3/8 X 1/4	1
17	25.6802-04-04	.FITTING, 45 MFE 1/4 X 1/4	1
18	20.0229	.HOSE, ASM C 1/4 X 39" - 2750	1
19	25.6804-4-4-4	.FITTING, M TEE 1/4 X 1/4 X 1/4	1
20	20.0228	.HOSE, ASM C 1/4 X 28" - 2750	1
21	20.0234	.HOSE, ASM C 3/8 X 37" - 2500	1
22	20.0253	.STEEL TUBE, 1/2 OD X .065 W	1
23	20.0252	.STEEL TUBE, 1/2 OD X .065 W	1
24	90.0520	.BOLT, 5/16-18 USS X 2 1/2	1
25	95.05	.WASHER, FLAT 5/16 SAE	4
26	64.1343	.SPACER, CLAMP HYD TUBE SUPPORT	1
27	44.0228	.CLAMP, HYD TUBE SUPPORT 1/2"	4
28	44.0229	.CLAMP, HYD TUBE SPRT 1/2" CAP	4
29	99.A05	.LOCKNUT, STOVER 5/16-18 USS	2
30	99.SF0406	.BOLT, SF 1/4-20 X 3/4	4
31	64.1224	.BRACE, HYDRAULIC HOSE	2
32	99.SF04	.NUT, SF 1/4-20 USS	4
33	99.SF08	.NUT, SF 1/2-13 USS	2
34	25.FF6804-8-8-8	.FITTING, 8MORFSX-8MORFSX-8MORB	2
35	25.6801-06-06	.FITTING, 90 ME 3/8 X 3/8	2
36	24.0016	.FITTING, STR REDUCED LNGTH HEX	1
37	25.6500-04-04	.FITTING, 90 MFE 1/4 X 1/4	1
38	20.0173	.HOSE, ASM X 42" 1/4-1 W	1
39	20.0236	.HOSE, ASM 3/8X109CPESAE100R1AT	1
40	99.K0039	.BOLT, SHCS 1/2 X 1 1/2	2
41	90.0516	.BOLT, 5/16-18 USS X 2	1
42	64.1325	.MOUNT, OIL COOLER - OUTER	1
43	64.1323	.MOUNT, OIL COOLER - CENTER	1
44	90.0410	.BOLT, 1/4-20 USS X 1 1/4	2
45	20.0240	.STEEL TUBE, 1/2 OD X .065 W	1
46	64.1340	.CLAMP, DRIVE CIRCUIT OIL COOLR	2
47	20.0238	.TUBE, OIL COOLING HI PRESSURE	1
48	25.FF2403-08-08	.FITTING, -8MORFS X -8MORFS	2
49	20.0250	.STEEL TUBE, 1/2 OD X .065 W	1
50	20.0251	.STEEL TUBE, 1/2 OD X .065 W	1

HYDRAULICS

ILLUSTRATED DRAWING HYDRAULIC FILTER & TANK



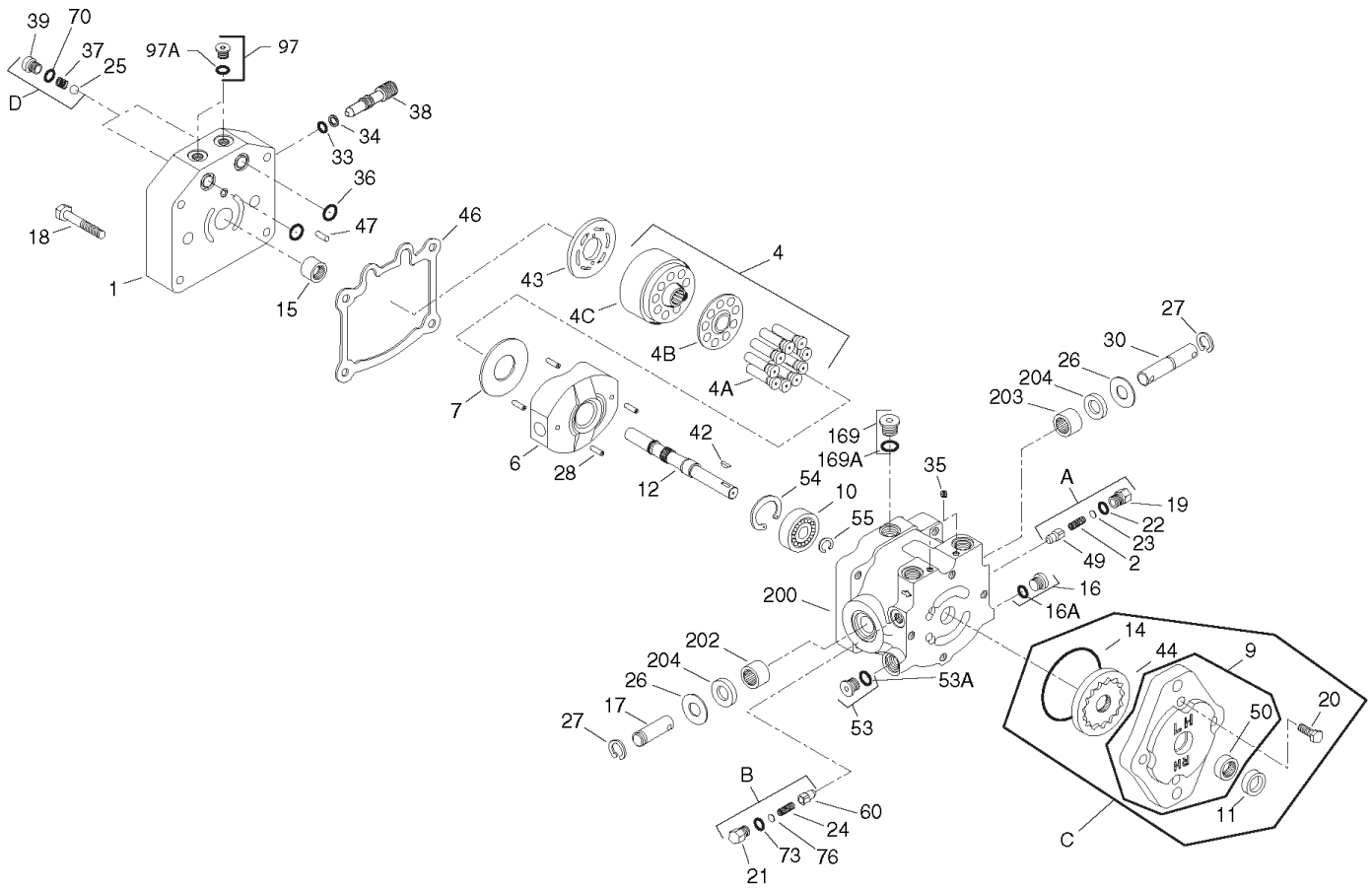
HYDRAULICS

HYDRAULIC FILTER & TANK

REF.	PART NO.	DESCRIPTION	QTY.
1	99.SF04	.NUT, SF 1/4-20 USS	4
2	99.SF0404	.BOLT, SF 1/4-20 X 1/2	4
3	64.1212	.BRACKET, OIL FILTER MOUNT	1
4	21.0116	.FILTER, HEAD -12FORB PORT	1
5	25.6801-12-12	.FITTING, 90 ME 3/4 X 3/4	2
6	21.0001	.FILTER, HYDRAULIC ZINGA AE25	1
7	99.SF0406	.BOLT, SF 1/4-20 X 3/4	2
8	20.0256	.STEEL TUBE, 3/4 OD X .049 W	1
9	24.0015	.FITTING, 90 DRILLED TO 19/32	1
10	25.6400-08-08	.FITTING, M CONN 1/2 X 1/2	1
11	21.0080	.PUMP, HYD. SUNDSTRAND	1
12	20.0254	.STEEL TUBE, 1/2 OD X .049 W	1
13	20.0255	.STEEL TUBE, 3/4 OD X .049 W	1
14	25.6400-08-12	.FITTING, -8MJIC X -12MORB	1
15	25.6500-12-12	.FITTING, 90 MFE 3/4 X 3/4	1
16	64.1332	.BRACKET, RIGHT HOOD REST	1
17	25.6400-12-12	.FITTING, M CONN 3/4 X 3/4	1
18	99.SF06	.NUT, SF 3/8-16 USS	4
19	20.0234	.HOSE, ASM C 3/8 X 37" - 2500	1
20	25.6802-06-06	.FITTING, 45 ME 3/8 X 3/8	1
21	25.6408-06	.FITTING, O-RING PLUG 3/8	1
22	00.0169	.DECAL, 31 HP TURBO DIESEL	1
23	64.1206	.TANK, HYDRAULIC OIL	1
24	00.0245-5	.DECAL, HYDRAULIC OIL	1
25	23.0127	.DIP STICK, ASM 6-3/4" KH/LT	1
26	60.0946	.PANEL, ENGINE COMPARTMNT RIGHT	1

HYDRAULICS

ILLUSTRATED DRAWING MODEL 15 PUMP



Note: Item 200 includes items 202, 203 and 204

HYDRAULICS

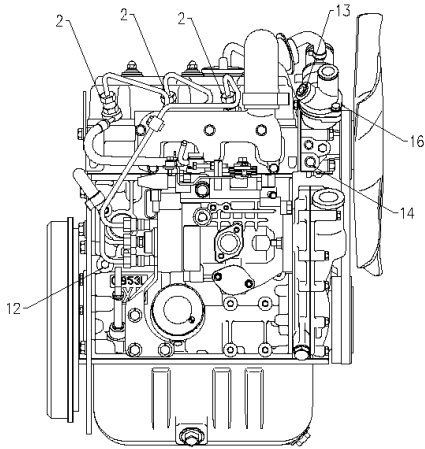
MODEL 15 PUMP

REF.	PART NO.	DESCRIPTION	QTY.
1	NOT STOCKED	CAP, END	3
2	21.0078	SPRING, IMPLEMENT RELIEF	1
4	21.0099	KIT, CYL BLOCK SUNDSTRAND	1
4A	21.0099-1	PISTON, CYLINDER BLOCK	9
4B	21.0099-2	RETAINER, PISTON CYLINDER BLCK	1
4C	NOT STOCKED	BLOCK, CYLINDER	1
6	21.0101	SWASHPLATE, SUNDSTRAND	1
7	21.0019	PLATE, THRUST SUNDSTRAND	1
9	21.0033	HOUSING, CHARGE PUMP	1
10	55.0034	BEARING, BALL SUNDSTRAND	1
11	89.0052-1	SEAL, 3/4 SFT X 1 1/4 VITON	1
12	21.0028	SHAFT, PUMP 15 PV	1
14	26.0008	O-RING, .103 X 3.487 SERIES 15	1
15	55.0025	BEARING, ROLLER .6875 X .937	1
16	NOT STOCKED	PLUG	1
16A	26.0032	O-RING, FOR #16 PLUG	1
17	21.0076	SHAFT, TRUNNION SUNDSTRAND	1
18	NOT STOCKED	SCREW	4
19	21.0089	PLUG, RELIEF VALVE SUNDSTRAND	1
20	NOT STOCKED	SCREW	4
21	NOT STOCKED	PLUG	1
22	26.0013	O-RING, .072 X .414 SUNDSTRAND	1
23	21.0093	SHIM, .020 X 5/16 OD, HI-PRESS	1
23	21.0094	SHIM, .010 X 5/16 OD, HI-PRESS	1
23	21.0106	SHIM, .005 X 5/16 OD, HI-PRESS	1
24	41.0091	SPRING, COMP 1/4"OD X 1" LG	1
25	NOT STOCKED	BALL	2
26	21.0049	WASHER, .699 X 1.375 X .059	2
27	04.0014	SNAP RING, EXT. 11/16 SFT	2
28	02.CP0605C	ROLL PIN, 3/16 X 5/8 COILED	4
30	21.0075	SHAFT, TRUNNION-CTRL-SERIES 15	1
33	26.0025	O-RING, -.012 FOR MORF-06 VITON	1
34	NOT STOCKED	RING, BACKUP	1
35	NOT STOCKED	PLUG, PIPE	2
36	26.0009	O-RING, .070 X .489 ID 90D	2
37	NOT STOCKED	SPRING	2
38	NOT STOCKED	VALVE, BYPASS	1
39	NOT STOCKED	PLUG	2
42	85.W0305	KEY, WOODRUFF 3/16" X 5/8"	1
43	21.0026	PLATE, VALVE (LH) PUMP	1
44	21.0027	GEROTOR, ASM PUMP	1
46	89.0054	GASKET, PUMP SUNDSTR.SERIES 15	1
47	NOT STOCKED	PIN	1
49	NOT STOCKED	CONE, CHARGE RELIEF	1
50	55.0024	BEARING, NEEDLE 3/4X1 SERIES15	1
53	NOT STOCKED	PLUG	1
53A	26.0032	O-RING, FOR #16 PLUG	1
54	NOT STOCKED	RING, RETAINING	1
55	NOT STOCKED	RING, RETAINING	1
60	NOT STOCKED	CONE, CHARGE RELIEF	1
70	26.0013	O-RING, .072 X .414 SUNDSTRAND	2
73	26.0013	O-RING, .072 X .414 SUNDSTRAND	1
76	21.0093	SHIM, .020 X 5/16 OD, HI-PRESS	1
76	21.0094	SHIM, .010 X 5/16 OD, HI-PRESS	1
76	21.0106	SHIM, .005 X 5/16 OD, HI-PRESS	1
97	NOT STOCKED	PLUG	2
97A	26.0035	O-RING, .904 FOR MORB-04 VITON	2
169	NOT STOCKED	PLUG	1
169A	26.0033	O-RING, FOR #169 PLUG	1
200	NOT STOCKED	ASSEMBLY, HOUSING	1
202	85.B0067	BUSHING, BEARING JOURNAL	1
203	85.B0067	BUSHING, BEARING JOURNAL	1
204	89.0053-1	SEAL, .687 SFT X 1.19 VITON	2
A	NOT STOCKED	KIT, IMPLEMENT RELIEF	1
B	NOT STOCKED	KIT, CHARGE RELIEF	1
C	NOT STOCKED	KIT, CHARGE PUMP	1
D	NOT STOCKED	KIT, CHECK VALVE	1

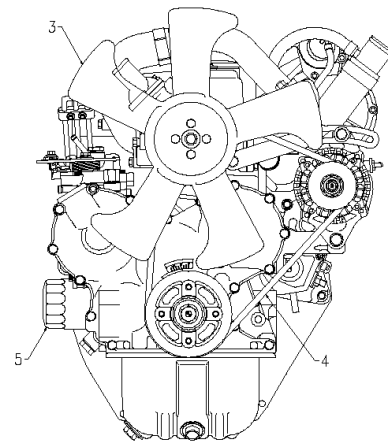
Check for availability of non stocked parts.

ENGINE

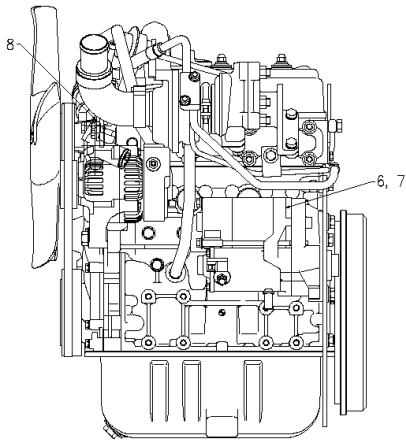
ILLUSTRATED DRAWING VANGUARD ENGINE



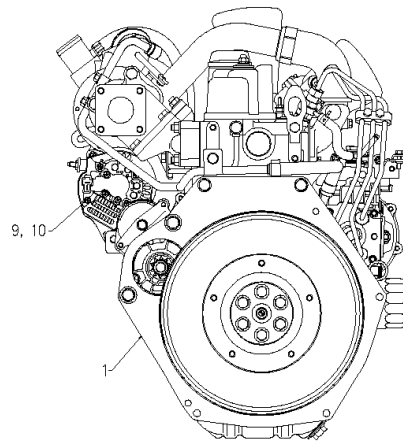
LEFT SIDE VIEW



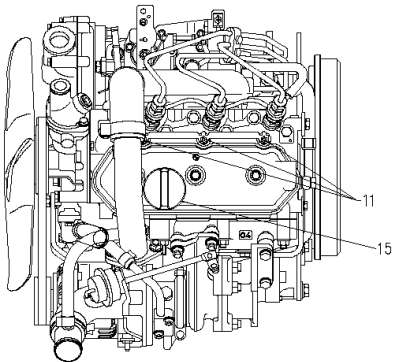
REAR VIEW



RIGHT SIDE VIEW



FRONT VIEW



TOP VIEW

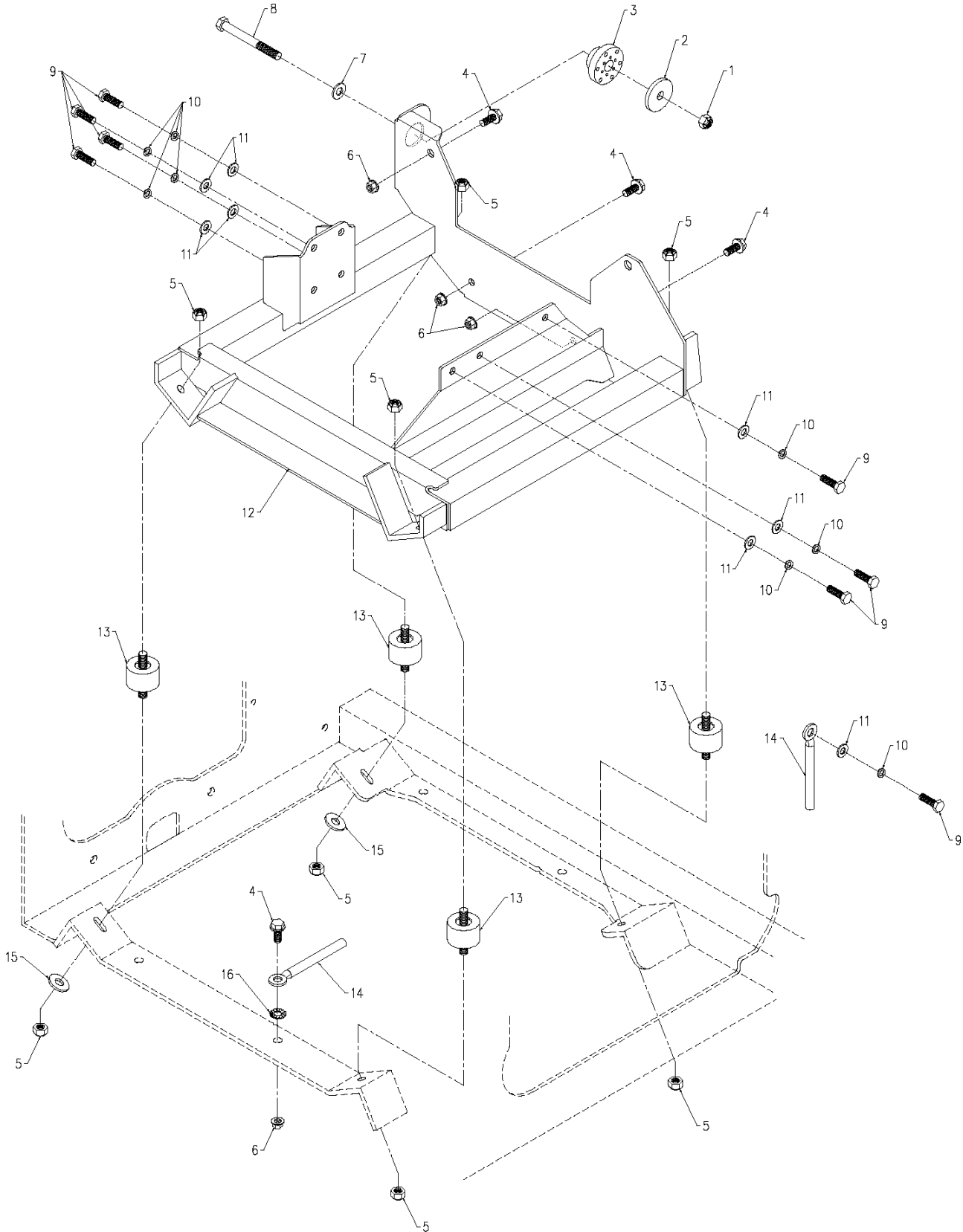
ENGINE

VANGUARD ENGINE

REF.	PART NO.	DESCRIPTION	QTY.
1	13.0168	ENGINE, VANG TURBO 31HP DSL	1
2	13.825178	INJECTOR	3
3	13.0194	FAN, VANG TURBO DIESEL	1
4	81.0133	BELT, FAN VANG GAS & DIESEL	1
5	13.0057	FILTER, ENGINE OIL-VANGUARD	1
6	13.825700	STARTER, 1.2 KW	1
7	13.825406	STARTER, BENDIX 1.2 KW	1
8	13.825522	PUMP, WATER	1
9	13.825524	ALTERNATOR, 40 AMP	1
10	13.825388	REGULATOR, 40 AMP	1
11	13.0067	GLOW PLUG, VANGUARD DIESEL	3
12	13.821135	SWITCH, OIL PRESSURE	1
13	13.820208	SWITCH, WATER TEMP	1
14	13.0075	SENDING UNIT, TEMP 250 DEG	1
15	13.0165	CAP, OIL FILL VANGUARD	1
16	13.0160	THERMOSTAT, & GASKET VANGUARD	1
17	13.821073	SEAL, OIL PTO DIESEL	1
18	13.821071	SEAL, MAG OIL	1
19	13.821069	PLUG, CAMSHAFT	1
20	13.825527	GASKET SET	1
21	13.820930	GASKET, HEAD	1
22	13.825528	GASKET, VALVE SET	1
23	13.820150	GASKET, VALVE COVER	1
24	13.820137	GASKET, SUMP	1
25	13.820817	GASKET, EXHAUST MANIFOLD	1
26	13.820967	GASKET, TURBO TO EXHAUST MANIFO	1
27	13.820093	GASKET, THERMOSTAT	1

ENGINE

ILLUSTRATED DRAWING ENGINE MOUNT



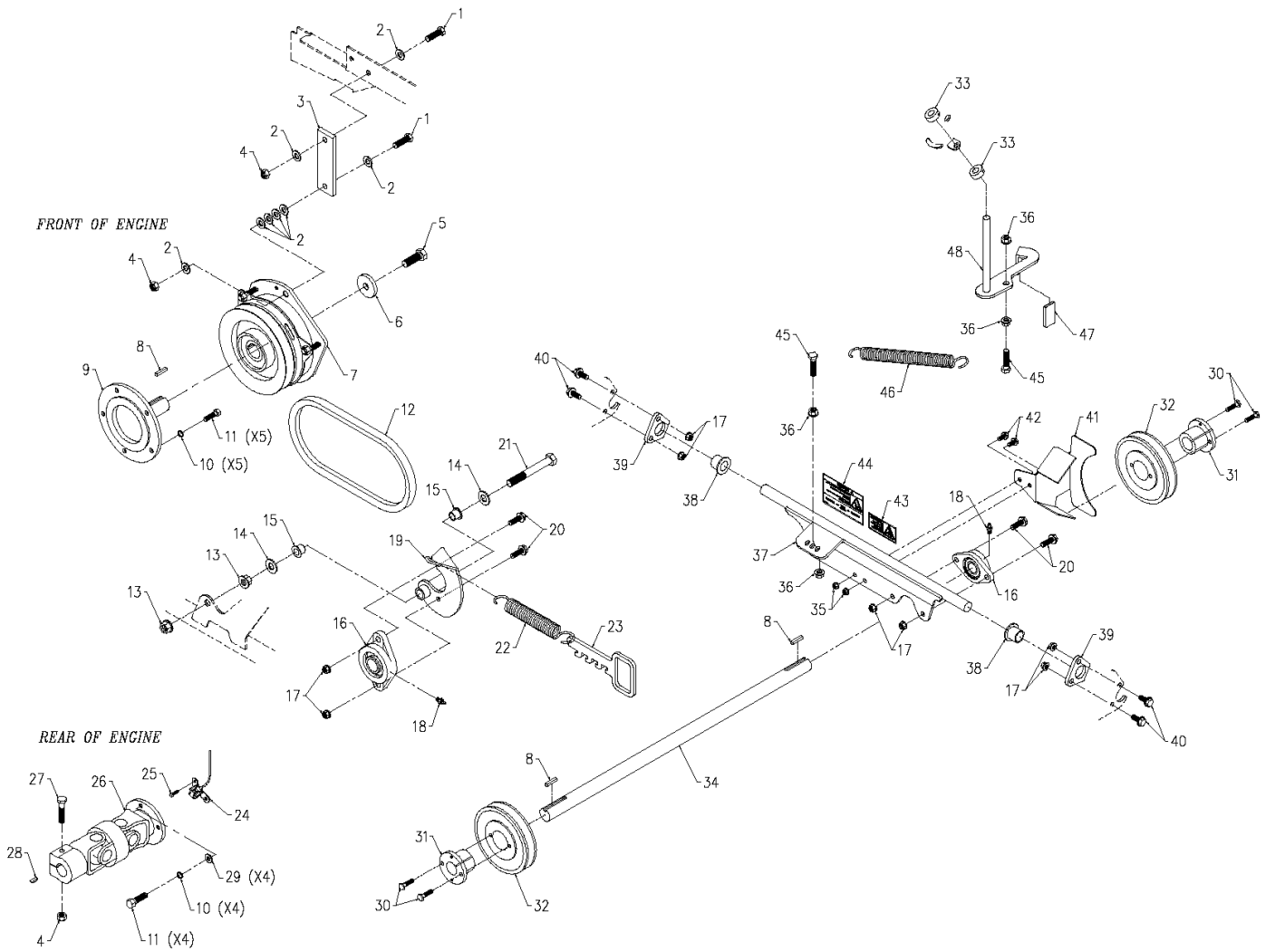
ENGINE

ENGINE MOUNT

REF.	PART NO.	DESCRIPTION	QTY.
1	99.A06	.LOCKNUT, STOVER 3/8-16 USS	1
2	99.B0076	.WASHER, .185 X 13/32ID X 1-5/8	1
3	05.0107	.ISOLATOR, 9/16 ID X 1-29/32 OD	1
4	99.SF0506	.BOLT, SF 5/16-18 USS X 3/4	4
5	99.A06N	.LOCKNUT, NYLON 3/8-16	8
6	99.SF05	.NUT, SF 5/16-18 USS	4
7	95.06	.WASHER, FLAT 3/8 SAE	1
8	90.0628	.BOLT, 3/8-16 USS X 3 1/2	1
9	99.M0009	.BOLT, M8 X 1.25 P X 25 MM LONG	8
10	96.05	.WASHER, LOCK 5/16	8
11	95.05	.WASHER, FLAT 5/16 SAE	8
12	62.1277	.MOUNT, ENGINE FRAME 3LC	1
13	05.0048	.ISOLATOR, 3/8-16 X 1.5 OD X 1	4
14	32.0087	.CABLE, FRAME-ENGINE GRND STRAP	1
15	94.06	.WASHER, FLAT 3/8 USS	2
16	99.G0004	.WASHER, STAR-EXTERNAL 3/8	1

ENGINE

ILLUSTRATED DRAWING PUMP & PTO DRIVES



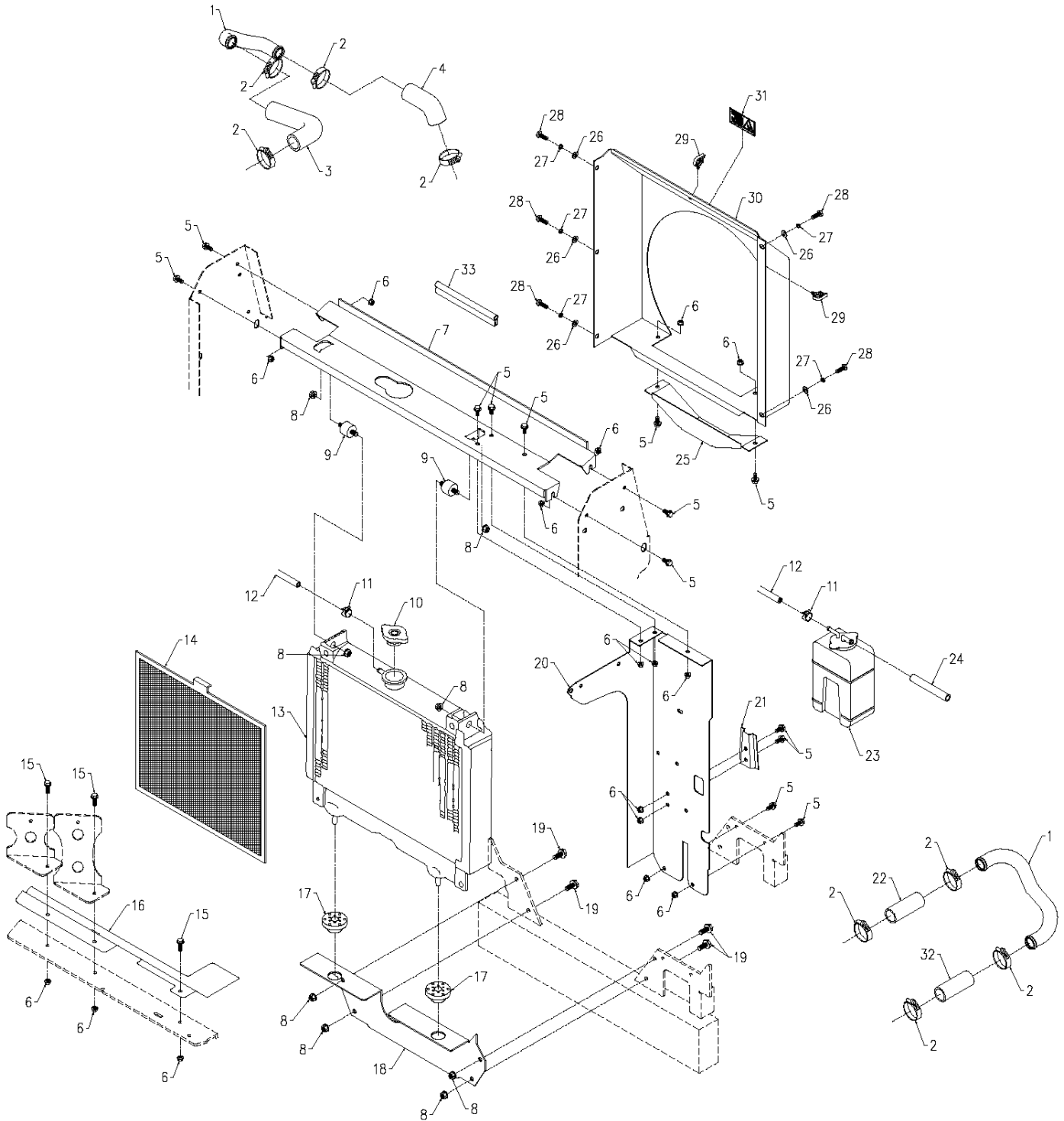
ENGINE

PUMP & PTO DRIVES

REF.	PART NO.	DESCRIPTION	QTY.
1	90.0610	.BOLT, 3/8-16 USS X 1 1/4	2
2	95.06	.WASHER, FLAT 3/8 SAE	8
3	44.0239	.STRAP, RUBBER CLUTCH TORQ ARM	1
4	99.A06	.LOCKNUT, STOVER 3/8-16 USS	3
5	91.0812	.BOLT, 1/2-20 SAE X 1 1/2	1
6	99.B0064	.WASHER, 1/4 X 1.75 X .531 HOLE	1
7	37.0018	.CLUTCH, ELECTRIC OGURA	1
8	85.K0412	.KEY, 1/4 X 1-1/2	3
9	13.0139	.STUB SHAFT, CLUTCH KUB/VANG	1
10	96.05	.WASHER, LOCK 5/16	9
11	99.M0005	.BOLT, M8 X 1.25 X 20	9
12	81.B031	.BELT, B31	1
13	99.SF08	.NUT, SF 1/2-13 USS	2
14	95.08	.WASHER, FLAT 1/2 SAE	2
15	85.B0027	.BUSHING, 1/2 ID X 5/8 OD X 5/8	2
16	55.FB16016-1	.BEARING, FLANGE BLOCK 1"	2
17	99.SF05	.NUT, SF 5/16-18 USS	8
18	29.GF0001	.GREASE FTG, 1/4 SAE ST	2
19	42.0493	.PIVOT, PTO BELT TIGHTENER	1
20	99.SF0508	.BOLT, SF 5/16-18 USS X 1	4
21	90.0832	.BOLT, 1/2-13 USS X 4	1
22	41.0048	.SPRING, EXT. 1 OD X 6	1
23	64.1324	.HANDLE, PTO BELT TIGHTENER	1
24	13.0162	.TRIGGER, IGNITION	1
25	99.M0007	.MACHINE SCREW M4 X .7 X 12	1
26	87.0191	.U-JOINT, 6 R DOUBLE CENTER	1
27	90.0614	.BOLT, 3/8-16 USS X 1 3/4	1
28	85.W0305	.KEY, WOODRUFF 3/16" X 5/8"	1
29	95.05	.WASHER, FLAT 5/16 SAE	4
30	90.0408	.BOLT, 1/4-20 USS X 1	4
31	83.H16S	.BUSHING, 1" SPLIT 1/4" KEY	2
32	83.BK55H	.PULLEY, 5.5" H-BUSHING	2
33	85.SC08-1	.SET COLLAR, .515"	2
34	80.0365	.SHAFT, PTO	1
35	99.SF04	.NUT, SF 1/4-20 USS	2
36	99.SF06	.NUT, SF 3/8-16 USS	4
37	64.1200	.BRACKET, FRONT BEARING MOUNT	1
38	85.B0077	.BUSHING, 3/4 ID X 1" OD X 3/4	2
39	64.1225	.BRACKET, FRONT PTO MOUNT	2
40	99.SF0506	.BOLT, SF 5/16-18 USS X 3/4	4
41	60.0952	.SHIELD, FRONT DOUBLE PULLEY	1
42	99.SF0404	.BOLT, SF 1/4-20 X 1/2	2
43	00.0218	.DECAL, WARNING PINCH POINT	1
44	00.0248	.DECAL, DANGER W/PTO TENSIONER	1
45	90.0612	.BOLT, 3/8-16 USS X 1 1/2	2
46	41.0056	.SPRING, EXT 7/8 OD X 8-1/2 LNG	1
47	06.0051	.CAP, 3/16 X 15/16 X 1-3/4 FE	1
48	40.0328	.ARM, BELT TIGHTENER	1

ENGINE

ILLUSTRATED DRAWING COOLING SYSTEM



ENGINE

COOLING SYSTEM

REF.	PART NO.	DESCRIPTION	QTY.
1	47.0211	.TUBE, LOWER RADIATOR 4200 VANG	2
2	11.0052	.CLAMP, HOSE SS 13/16 X 1-1/2	8
3	13.0229	.HOSE, UPPER RADIATOR; RAD SIDE	1
4	13.0230	.HOSE, UPPER RADIATOR; ENG SIDE	1
5	99.SF0404	.BOLT, SF 1/4-20 X 1/2	13
6	99.SF04	.NUT, SF 1/4-20 USS	16
7	64.1318	.SHIELD, RADIATOR TOP	1
8	99.SF05	.NUT, SF 5/16-18 USS	8
9	05.0111	.BUMPER, RUBBER 5/16 STUD 1"DIA	2
10	47.0204	.CAP, RADIATOR VANG. 13#	1
11	11.0049	.CLAMP, HOSE-BAND 1/2 OD HOSE	2
12	27.A04-32IN	.HOSE, NEOP BLACK 1/4 X 7/16 X 32"	1
13	47.0260	.RADIATOR, VANGUARD 31TD FOR RT	1
14	47.0261	.SCREEN, RADIATOR FOR 47.0260	1
15	99.SF0406	.BOLT, SF 1/4-20 X 3/4	3
16	64.1319	.SHIELD, RADIATOR DEBRIS	1
17	05.0107	.ISOLATOR, 9/16 ID X 1-29/32 OD	2
18	64.1316	.MOUNT, RADIATOR BASE	1
19	99.SF0506	.BOLT, SF 5/16-18 USS X 3/4	4
20	60.0945	.PANEL, FIRE WALL	1
21	64.0923	.MOUNT, WATER BOTTLE KT	1
22	27.R16-3.5IN	.HOSE, RADIATOR X 1" X 3-1/2"	1
23	47.0187	.TANK, PLASTIC COOLANT/HYD OIL	1
24	27.T06-2-16IN	.TUBE, PVC CLEAR 3/8 OD X 1/4 ID X 16"	1
25	60.0991	.SHROUD, LOWER RAD FAN	1
26	95.04	.WASHER, FLAT 1/4 SAE	5
27	96.04	.WASHER, LOCK 1/4	5
28	99.M0016	.BOLT, M6 X 1.00 X 12 ZP	5
29	30.0137	.CLAMP, LOOM 5/8 ROSEBUD MOUNT	2
30	60.0992	.SHROUD, RADIATOR FAN	1
31	00.0216	.DECAL, WARNING MOVING PARTS	1
32	27.R16-7IN	.HOSE, RADIATOR X 1" X 7"	1
33	06.0043-28.25IN	.TRIM, 7/16" BULB SEAL TOP 1/16T X 28-1/4"	1

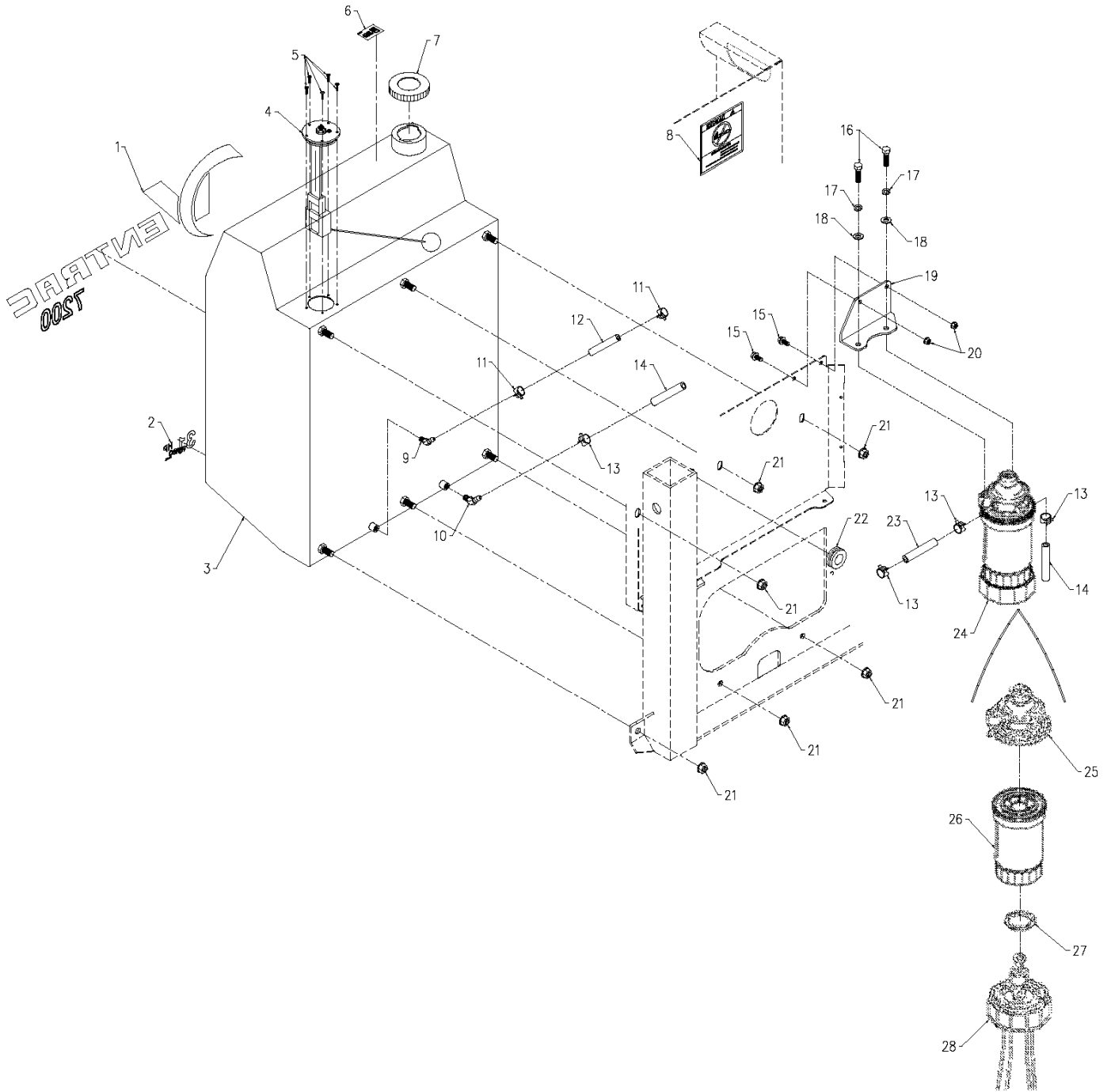
ENGINE

AIR INTAKE & EXHAUST

REF.	PART NO.	DESCRIPTION	QTY.
1	13.0061	.FILTER, AIR-ELEMENT INNER.	1
2	13.0060	.FILTER, AIR-ELEMENT OUTER	1
3	90.0508	.BOLT, 5/16-18 USS X 1	2
4	95.05	.WASHER, FLAT 5/16 SAE	2
5	13.0231	.CLAMP, AIR FILTER 5" PLASTIC	1
6	13.809670	.CLEANER, AIR ASM.	1
7	99.A05	.LOCKNUT, STOVER 5/16-18 USS	2
8	11.0043	.CLAMP, HOSE S/S 1-5/16 - 2-1/4.	2
9	14.0029	.HOSE, AIR CLEANER OUTLET	1
10	05.0056	.GROMMET, 2-1/8ID,2-7/8OD,7/16T	1
11	14.0028	.TUBE, AIR INTAKE RT TURBO.	1
12	99.M0008	.NUT, M8 X 1.25 MMP ZP	4
13	96.05	.WASHER, LOCK 5/16.	4
14	64.1331	.FLANGE, EXHAUST MOUNT RT7200TD.	1
15	13.0173	.GASKET, EXHAUST/MUFFLER VANG	2
16	06.0052-6IN	.PACKING, 1/4 FIBERGLAS KNITTED X 6"	3
17	14.0022	.TUBE, FLOATING EX. 3-3/4 BEAD	1
18	14.0018	.CONNECTOR, EXHAUST COLLAR.	2
19	41.0069	.SPRING, EXHAUST HIGH TEMP SS	1
20	99.SF06	.NUT, SF 3/8-16 USS	4
21	99.SF0606	.BOLT, SF 3/8-16 USS X 3/4	4
22	99.SF05	.NUT, SF 5/16-18 USS	4
23	13.0171	.MUFFLER, W/HEAT SHIELD&PIPE	1
24	99.SF0506	.BOLT, SF 5/16-18 USS X 3/4	4
25	64.1315	.MOUNT, MUFFLER RT 31TD	1

ENGINE

ILLUSTRATED DRAWING FUEL SYSTEM



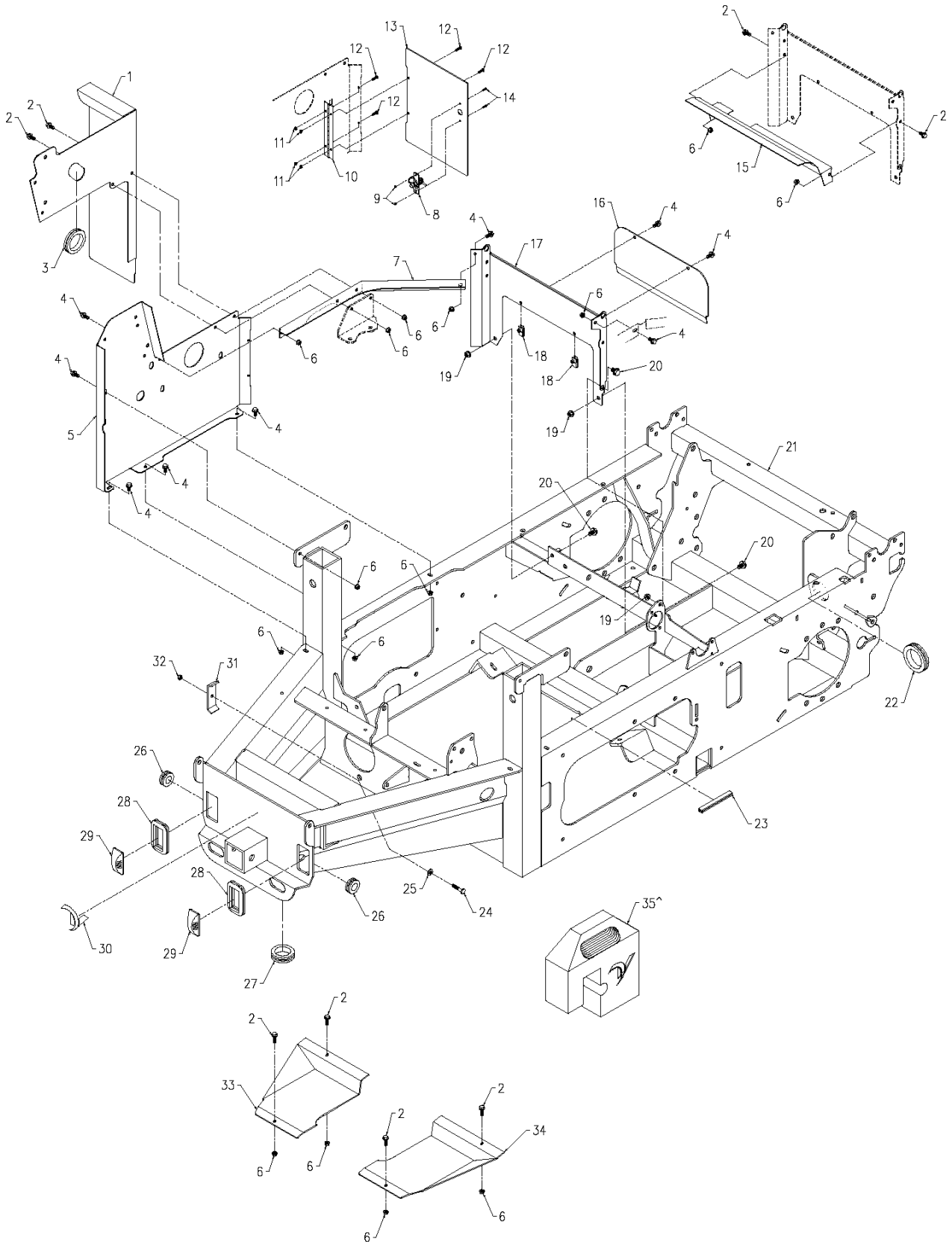
ENGINE

FUEL SYSTEM

REF.	PART NO.	DESCRIPTION	QTY.
1	00.0247	.DECAL, VENTRAC 7200 BLUE	1
2	00.0169	.DECAL, 31 HP TURBO DIESEL	1
3	64.1205	.TANK, FUEL	1
4	35.0109	.FUEL, SENDING UNIT	1
5	99.K0041	.MACHINE SCREW, #8-32 X 1/2	5
6	00.0245-3	.DECAL, DIESEL ONLY	1
7	47.0256	.CAP, FILL 2" VENTED	1
8	00.0121	.DECAL, DANGER EXPLOSION HAZARD	1
9	29.BF04MP0445	.FITTING B. 1/4 BARB 1/4 NPT 45	1
10	29.BF05MP0445	.FITTING B. 5/16 BRB 1/4 NPT 45	1
11	11.0049	.CLAMP, HOSE-BAND 1/2 OD HOSE	2
12	27.F04-24IN	.HOSE, FUEL LINE X 1/4 X 24"	1
13	11.0048	.CLAMP, HOSE-BAND 9/16 OD HOSE	4
14	27.F05-21IN	.HOSE, FUEL LINE X 5/16 X 21"	1
15	99.SF0406	.BOLT, SF 1/4-20 X 3/4	2
16	99.M0005	.BOLT, M8 X 1.25 X 20	2
17	96.05	.WASHER, LOCK 5/16	2
18	95.05	.WASHER, FLAT 5/16 SAE	2
19	64.1213	.BRACKET, FUEL FILTER MOUNT	1
20	99.SF04	.NUT, SF 1/4-20 USS	2
21	99.SF06	.NUT, SF 3/8-16 USS	6
22	05.0045	.GROMMET, 3/4ID, 1 3/8OD, 1/2THK	1
23	27.F05-14IN	.HOSE, FUEL LINE X 5/16 X 14"	1
24	13.0214	.PUMP, FUEL WITH FILTER	1
25	13.820344	.FILTER, FUEL COVER	1
26	13.820311	.FILTER, FUEL MAIN	1
27	13.820348	.SEAL- ORING FUEL FILTER SENSOR	1
28	13.820347	.SENSOR, FUEL FILTER	1

FRAMES & COVERS

ILLUSTRATED DRAWING MAIN FRAME



FRAMES & COVERS

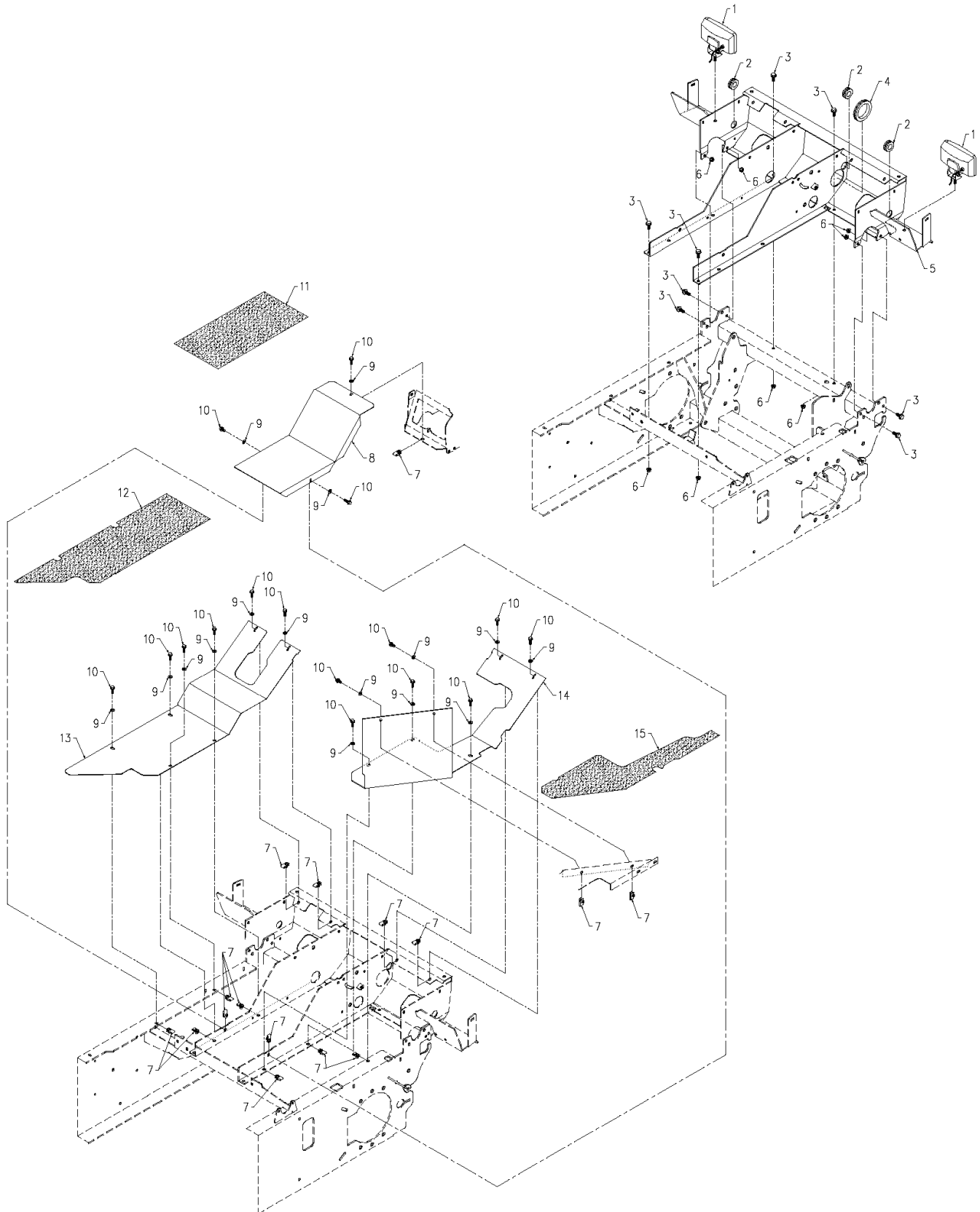
MAIN FRAME

REF.	PART NO.	DESCRIPTION	QTY.
1	40.0334	.HANDLE, EXIT	1
2	99.SF0406	.BOLT, SF 1/4-20 X 3/4	8
3	05.0071	.GROMMET,1-3/4ID,2-3/4OD,7/16T	1
4	99.SF0404	.BOLT, SF 1/4-20 X 1/2	9
5	60.0947	.PANEL, ENGINE COMPARTMENT LEFT	1
6	99.SF04	.NUT, SF 1/4-20 USS	15
7	60.0954	.BRACE, ENGINE COMPARTMENT LEFT	1
8	47.0263	.LATCH, SPRING-CAM HANDLE	1
9	99.E0085	.LOCKNUT, NYLON #6-32	2
10	47.0153	.HINGE, HOOD 6" STAINLESS	1
11	99.A1032N	.LOCKNUT, NYLON 10-32 STAINLESS	4
12	99.K0042	.MACHINE SCREW, 10-32 X 3/8	4
13	60.0928	.PANEL, ENGINE ACCESS DOOR	1
14	99.K0101	.MACHINE SCREW, #6-32 X 3/8	2
15	60.0951	.SHIELD, AIR DEFLECTOR	1
16	60.0930	.PANEL, ENGINE ACCESS	1
17	60.0948	.PANEL, ENGINE COMPARTMENT FRNT	1
18	99.E0046	.NUT, "U" 1/4-20 EXTRUDED	2
19	99.SF05	.NUT, SF 5/16-18 USS	3
20	99.SF0504	.BOLT, SF 5/16-18USS X 1/2	3
21	62.1056	.FRAME, MAIN	1
22	05.0073	.GROMMET, 2 ID, 2-3/4 OD 9/16 T	1
23	06.0042-4IN	.TRIM, TRIM LOC 1/2 X 1/16 X 4"	1
24	90.0410	.BOLT, 1/4-20 USS X 1 1/4	1
25	95.04	.WASHER, FLAT 1/4 SAE	1
26	05.0045	.GROMMET, 3/4ID,1 3/8OD,1/2THK	2
27	05.0036	.GROMMET, 1 1/2ID,2 1/8OD,9/16T	1
28	05.0104	.GROMMET, MARKER LIGHT	2
29	33.0045	.LIGHT, SEALED MARKER RED	2
30	00.0192	.DECAL, V-DECAL DIE CUT BLUE	1
31	64.1223	.CLAMP, HOSE	1
32	99.A04	.LOCKNUT, STOVER 1/4-20 USS	1
33	60.0933	.COVER, LEFT SIDE PUMP	1
34	60.0932	.COVER, RIGHT SIDE PUMP	1
35^	47.0115	.WEIGHT, SUITCASE- 42 LBS^	3

^Optional item; must be purchased separately.

FRAMES & COVERS

ILLUSTRATED DRAWING FRONT FRAME



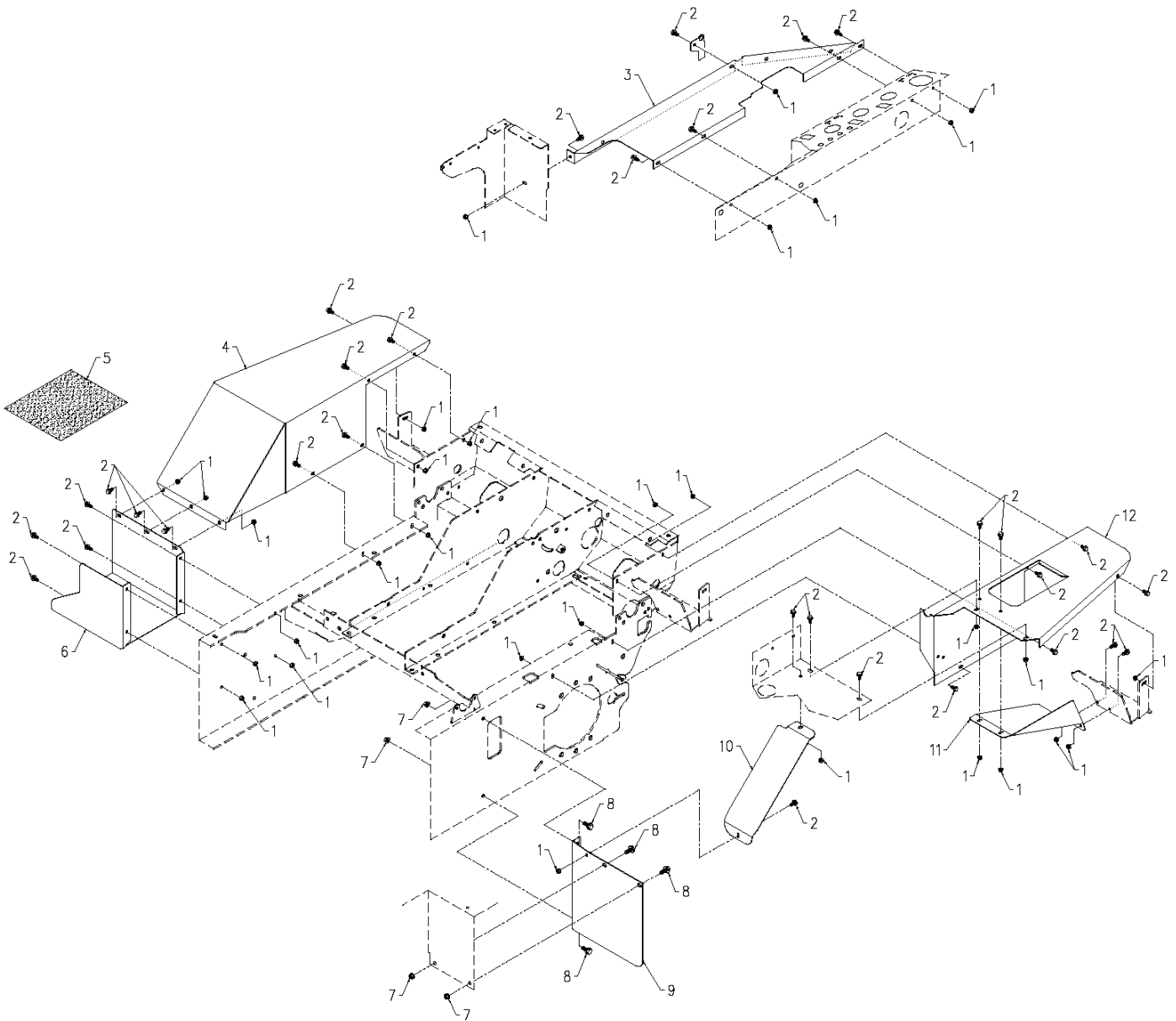
FRAMES & COVERS

FRONT FRAME

REF.	PART NO.	DESCRIPTION	QTY.
1	33.0043	.LIGHT, HEAD 12V 55W HALOGEN	2
	33.0037	.BULB, LIGHT(ONLY) FOR 55 WATT	2
2	05.0045	.GROMMET, 3/4ID,1 3/8OD,1/2THK	3
3	99.SF0506	.BOLT, SF 5/16-18 USS X 3/4	8
4	05.0056	.GROMMET, 2-1/8ID,2-7/8OD,7/16T	1
5	62.1057	.FRAME, FRONT BUMPER	1
6	99.SF05	.NUT, SF 5/16-18 USS	8
7	99.E0046	.NUT, "U" 1/4-20 EXTRUDED	16
8	60.0931	.PANEL, CENTER FLOOR	1
9	95.04	.WASHER, FLAT 1/4 SAE	16
10	99.SF0406	.BOLT, SF 1/4-20 X 3/4	16
11	44.0243	.FLEX TREAD, CENTER FOOTPLATE	1
12	44.0242	.FLEX TREAD, LEFT FOOTPLATE	1
13	60.0936	.PANEL, LEFT FLOOR	1
14	60.0935	.PANEL, RIGHT FLOOR	1
15	44.0241	.FLEX TREAD, RIGHT FOOTPLATE	1

FRAMES & COVERS

ILLUSTRATED DRAWING FRONT FENDERS



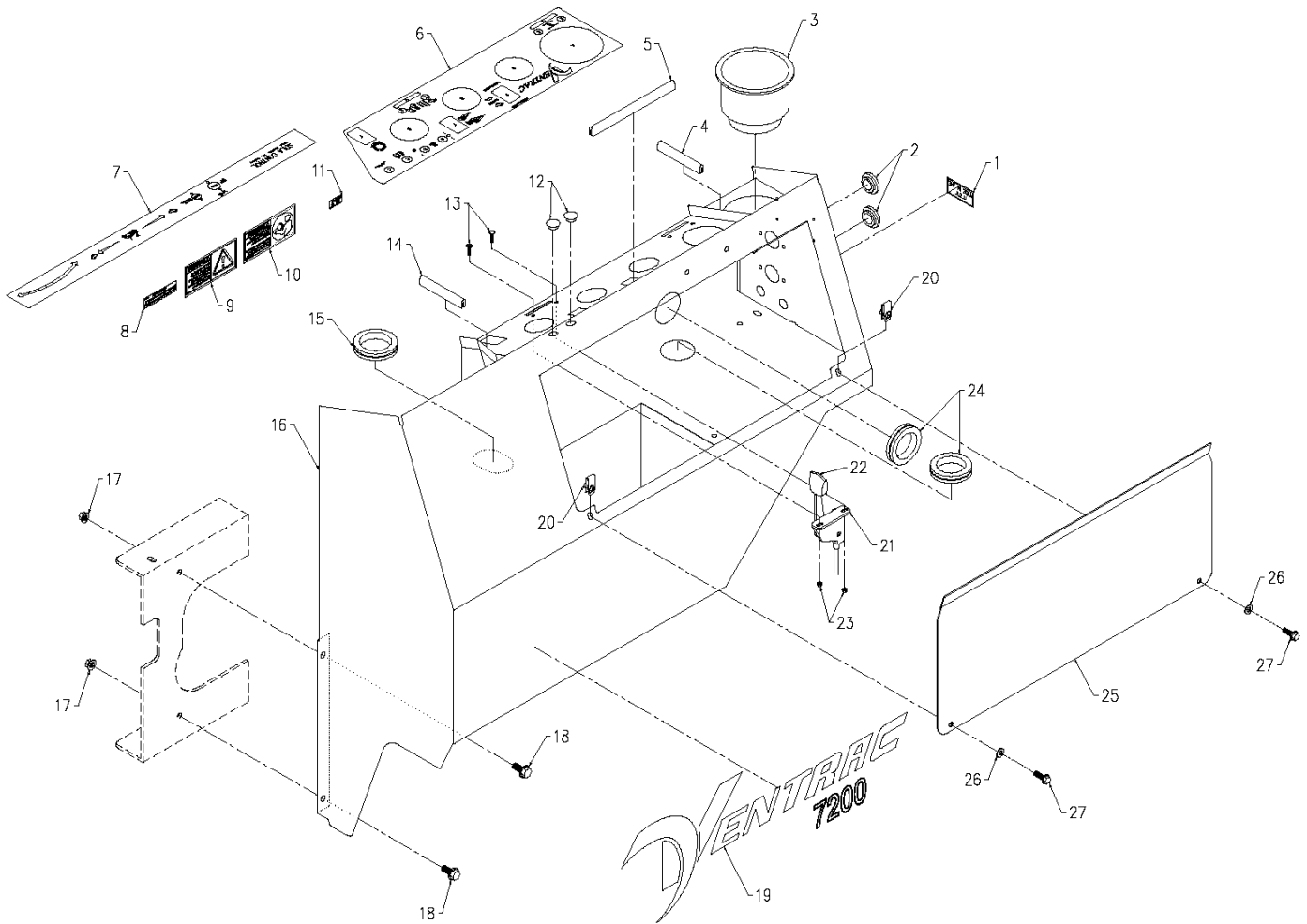
FRAMES & COVERS

FRONT FENDERS

REF.	PART NO.	DESCRIPTION	QTY.
1	99.SF04	.NUT, SF 1/4-20 USS	31
2	99.SF0404	.BOLT, SF 1/4-20 X 1/2	31
3	60.0950	.PANEL, SDLA/ENGINE -RIGHT SIDE	1
4	60.0926	.FENDER, LEFT FRONT	1
5	44.0244	.FLEX TREAD, SIDE STEP	1
6	64.1210	.PANEL, FOOT STEP	1
7	99.SF05	.NUT, SF 5/16-18 USS	4
8	99.SF0506	.BOLT, SF 5/16-18 USS X 3/4	4
9	60.0939	.PANEL, ELECTRICAL SUPPORT	1
10	60.0927	.SHIELD, RIGHT FENDER WELL	1
11	64.1218	.GUARD, AUX HOSE PAN	1
12	60.0925	.FENDER, RIGHT FRONT	1

FRAMES & COVERS

ILLUSTRATED DRAWING DASH



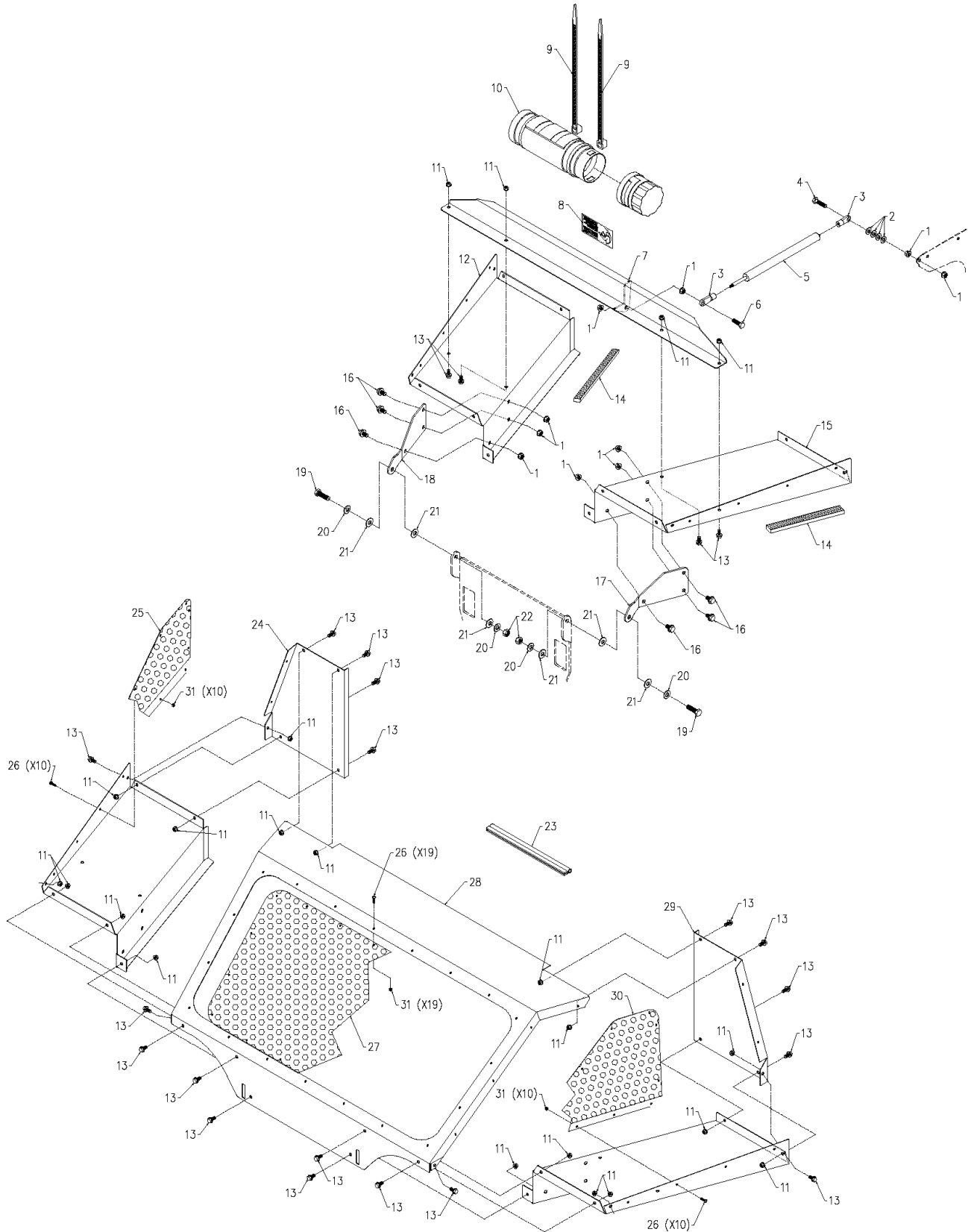
FRAMES & COVERS

DASH

REF.	PART NO.	DESCRIPTION	QTY.
1	00.0100	.DECAL, MADE IN USA	1
2	05.0109	.PLUG, 1" HOLE BLK PLASTIC	2
3	47.0185	.HOLDER, CUP 3.586 OD X3-1/4 DP	1
4	06.0042-5.25IN	.TRIM, TRIM LOC 1/2 X 1/16 X 5-1/4"	1
5	06.0042-43.25IN	.TRIM, TRIM LOC 1/2 X 1/16 X 43-1/4"	1
6	00.0244-1	.DECAL, CONTROL PANEL RT	1
7	00.0244-2	.DECAL, S.D.L.A. CONTROL - RT	1
8	00.0245-8	.DECAL, WARNING MAX OPERTE TEMP	1
9	00.0220	.DECAL, GENERAL SAFETY	1
10	00.0217	.DECAL, WARNING READ OWNERS MAN	1
11	00.0245-4	.DECAL, ENGINE OIL WARNING	1
12	05.0070	.PLUG, 1/2" HOLE, NYLON	2
13	99.K0062	.MACHINE SCREW, #10-32 X 1/2	2
14	06.0042-5.5IN	.TRIM, TRIM LOC 1/2 X 1/16 X 5-1/2"	1
15	05.0071	.GROMMET,1-3/4ID,2-3/4OD,7/16T (SERIAL # 1005-1010)	1
15	05.0056	.GROMMET, 2-1/8ID,2-7/8OD,7/16T (SERIAL # 1011 -)	1
16	62.1060	.PANEL, DASH	1
17	99.SF05	.NUT, SF 5/16-18 USS	2
18	99.SF0506	.BOLT, SF 5/16-18 USS X 3/4	2
19	00.0247	.DECAL, VENTRAC 7200 BLUE	1
20	99.E0046	.NUT, "U" 1/4-20 EXTRUDED	2
21	47.0244	.CABLE, THROTTLE 60" 1-5/8 TRAV	1
22	47.0245	.KNOB, BLACK	1
23	99.E0035	.NUT, SF #10-32	2
24	05.0079	.GROMMET,1.6 ID, 2.25 OD,7/16 T	2
25	60.0929	.PANEL, ELECTRICAL ACCESS	1
26	95.04	.WASHER, FLAT 1/4 SAE	2
27	99.SF0406	.BOLT, SF 1/4-20 X 3/4	2

FRAMES & COVERS

ILLUSTRATED DRAWING HOOD



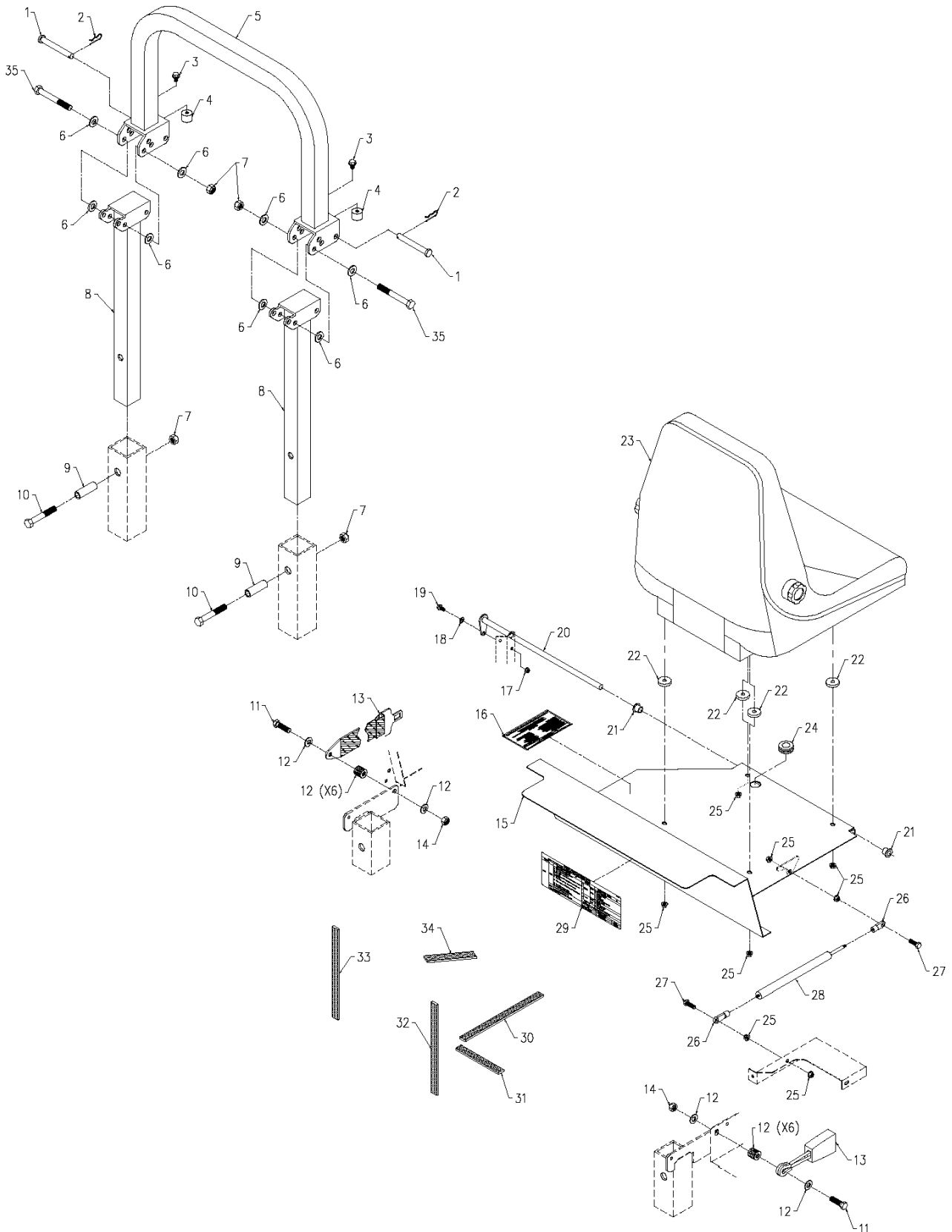
FRAMES & COVERS

HOOD

REF.	PART NO.	DESCRIPTION	QTY.
1	99.SF05	.NUT, SF 5/16-18 USS	10
2	95.05	.WASHER, FLAT 5/16 SAE	4
3	47.0103	.END FITTING, EYELET - M6 MALE	2
4	90.0510	.BOLT, 5/16-18 USS X 1 1/4	1
5	47.0102	.SHOCK, GAS SPRING .75 DIA 20#	1
6	90.0508	.BOLT, 5/16-18 USS X 1	1
7	64.1201	.BRACKET, COWLING CROSS MEMBER	1
8	00.0217	.DECAL, WARNING READ OWNERS MAN	1
9	30.0103	.TYTON TIE, #250 .5 X 20 BLACK	2
10	47.0243	.TUBE, MANUAL HOLDER - BLACK	1
11	99.SF04	.NUT, SF 1/4-20 USS	22
12	60.0941	.PANEL, BOTTOM LEFT HOOD	1
13	99.SF0404	.BOLT, SF 1/4-20 X 1/2	22
14	06.0055-19IN	.WEATHERSTRIP, 3/8 X 3/4 X 19"	2
15	60.0940	.PANEL, BOTTOM RIGHT HOOD	1
16	99.SF0504	.BOLT, SF 5/16-18USS X 1/2	6
17	64.1226	.HINGE, RIGHT REAR HOOD	1
18	64.1227	.HINGE, LEFT REAR HOOD	1
19	90.0610	.BOLT, 3/8-16 USS X 1 1/4	2
20	95.06	.WASHER, FLAT 3/8 SAE	4
21	05.0083	.WASHER,PVC.375 ID X.875 X .062	6
22	99.A06	.LOCKNUT, STOVER 3/8-16 USS	2
23	06.0043-60IN	.TRIM, 7/16" BULB SEAL TOP 1/16T X 60"	1
24	60.0944	.PANEL, FRONT LEFT SIDE HOOD	1
25	64.1209	.SCREEN, LEFT SIDE	1
26	99.K0062	.MACHINE SCREW, #10-32 X 1/2	39
27	64.1207	.SCREEN, TOP HOOD	1
28	60.0942	.PANEL, REAR HOOD	1
29	60.0943	.PANEL, FRONT RIGHT SIDE HOOD	1
30	64.1208	.SCREEN, RIGHT SIDE	1
31	99.E0035	.NUT, SF #10-32	39

FRAMES & COVERS

ILLUSTRATED DRAWING SEAT & ROLL BAR



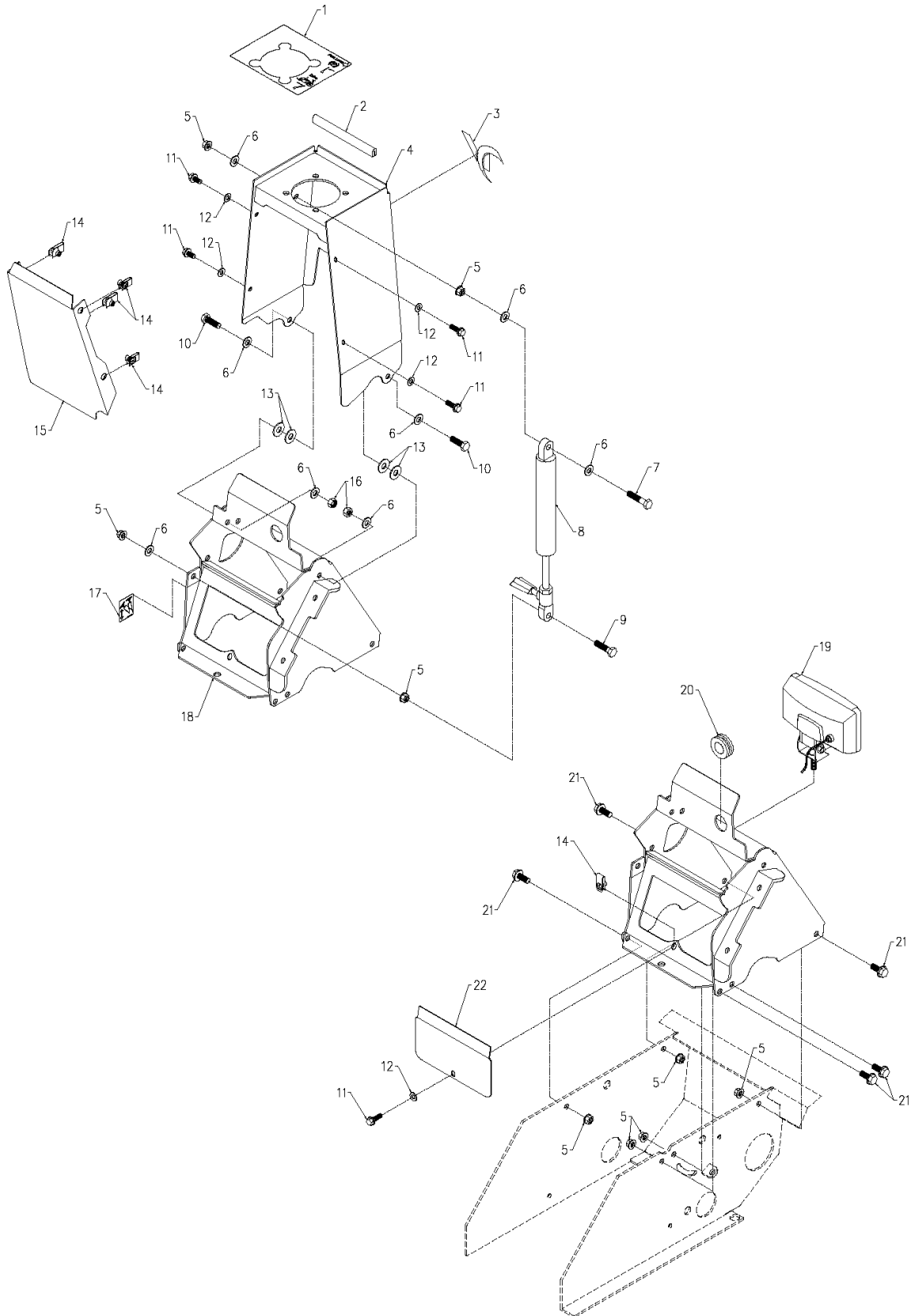
FRAMES & COVERS

SEAT & ROLL BAR

REF.	PART NO.	DESCRIPTION	QTY.
1	03.0830	.CLEVIS PIN, 1/2 X 4" OAL	2
2	02.HP0416	.HAIRPIN, 1/8 X 2	2
3	99.SF0504	.BOLT, SF 5/16-18USS X 1/2	2
4	05.0110	.BUMPER, RUBBER 1" DIA	2
5	64.1333	.ROLL BAR, FOLD-DOWN TOP RT7000	1
6	95.08	.WASHER, FLAT 1/2 SAE	8
7	99.A08	.LOCKNUT, STOVER 1/2-13 USS	4
8	64.1341	.ROLL BAR, FOLD-DOWN BOTTOM RT	2
9	64.1220	.MOUNT, ROLL BAR	2
10	90.0826	.BOLT, 1/2-13 USS X 3 1/4	2
11	90.0712	.BOLT, 7/16-14 USS X 1 1/2	2
12	95.07	.WASHER, FLAT 7/16 SAE	16
13	47.0264	.SEAT BELT, LAP 75"	1
14	99.A07	.LOCKNUT, STOVER 7/16-14 USS	2
15	62.1061	.PLATE, SEAT	1
16	00.0243	.DECAL, WARNING OPERATOR SAFETY	1
17	99.SF04	.NUT, SF 1/4-20 USS	1
18	95.04	.WASHER, FLAT 1/4 SAE	1
19	99.SF0404	.BOLT, SF 1/4-20 X 1/2	1
20	80.0364	.SHAFT, SEAT PIVOT	1
21	85.B0027	.BUSHING, 1/2 ID X 5/8 OD X 5/8	2
22	05.0069	.WASHER, NYLON	4
23	47.0233	.SEAT, FULL SUSPENSION	1
	47.0231-1	.ARMREST, KIT - SUSPENSION SEAT	1
	47.0231-2	.KIT, SLIDE FOR SEAT 47.0231	1
24	05.0045	.GROMMET, 3/4ID, 1 3/8OD, 1/2THK	1
25	99.SF05	.NUT, SF 5/16-18 USS	8
26	47.0103	.END FITTING, EYELET - M6 MALE	2
27	90.0508	.BOLT, 5/16-18 USS X 1	2
28	47.0102	.SHOCK, GAS SPRING .75 DIA 20#	1
29	00.0249	.DECAL, SERVICE REF CHART	1
30	06.0047-16.5IN	.WEATHERSTRIP, 3/16 X 3/4 X 16-1/2"	1
31	06.0047-6IN	.WEATHERSTRIP, 3/16 X 3/4 X 6"	1
32	06.0047-7.75IN	.WEATHERSTRIP, 3/16 X 3/4 X 7-3/4"	1
33	06.0047-19.5IN	.WEATHERSTRIP, 3/16 X 3/4 X 19-1/2"	1
34	06.0047-9IN	.WEATHERSTRIP, 3/16 X 3/4 X 9"	1
35	90.0832	.BOLT, 1/2-13 USS X 4	2

FRAMES & COVERS

ILLUSTRATED DRAWING STEERING COLUMN



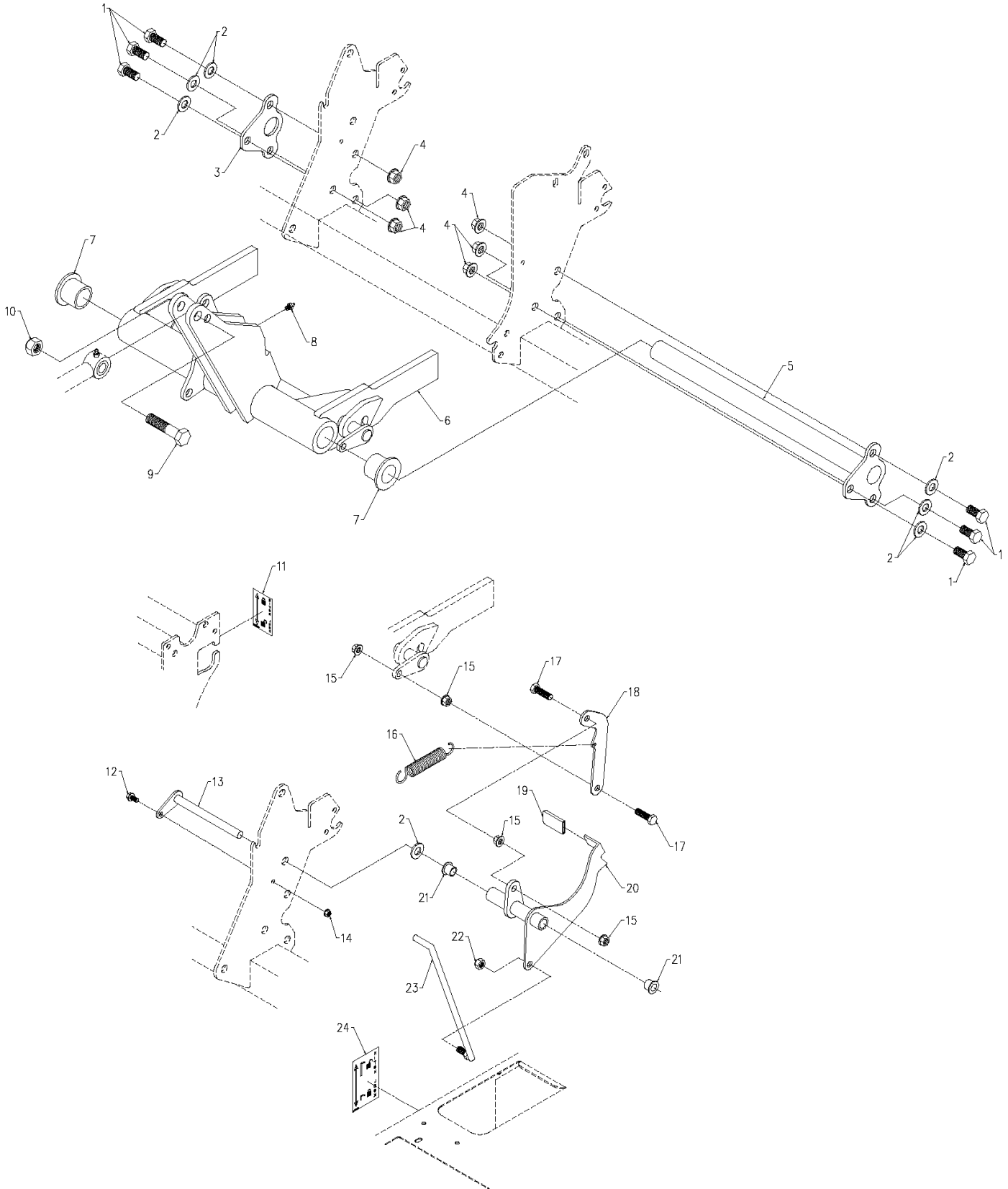
FRAMES & COVERS

STEERING COLUMN

REF.	PART NO.	DESCRIPTION	QTY.
1	00.0244-3	.DECAL, STEERING COLUMN/PARK	1
2	06.0042-15.63IN	.TRIM, TRIM LOC 1/2 X 1/16 X 15-5/8"	1
3	00.0192	.DECAL, V-DECAL DIE CUT BLUE	1
4	62.1059	.COLUMN, STEERING TILT	1
5	99.SF05	.NUT, SF 5/16-18 USS	9
6	95.05	.WASHER, FLAT 5/16 SAE	8
7	90.0512	.BOLT, 5/16-18 USS X 1 1/2	1
8	47.0250	.SHOCK, GAS BLOC-O-LIFT LOCKING	1
9	90.0510	.BOLT, 5/16-18 USS X 1 1/4	1
10	90.0508	.BOLT, 5/16-18 USS X 1	2
11	99.SF0406	.BOLT, SF 1/4-20 X 3/4	5
12	95.04	.WASHER, FLAT 1/4 SAE	5
13	05.0083	.WASHER,PVC.375 ID X.875 X .062	4
14	99.E0046	.NUT, "U" 1/4-20 EXTRUDED	5
15	60.0937	.COVER, STEERING COLUMN	1
16	99.A05	.LOCKNUT, STOVER 5/16-18 USS	2
17	00.0245-6	.DECAL, STEERING TILT	1
18	62.1058	.COLUMN, STEERING BASE	1
19	33.0043	.LIGHT, HEAD 12V 55W HALOGEN	1
	33.0037	.BULB, LIGHT(ONLY) FOR 55 WATT	1
20	05.0045	.GROMMET, 3/4ID,1 3/8OD,1/2THK	1
21	99.SF0506	.BOLT, SF 5/16-18 USS X 3/4	5
22	60.0934	.PANEL, STEERING COLUMN ACCESS	1

FRAMES & COVERS

ILLUSTRATED DRAWING FRONT HITCH



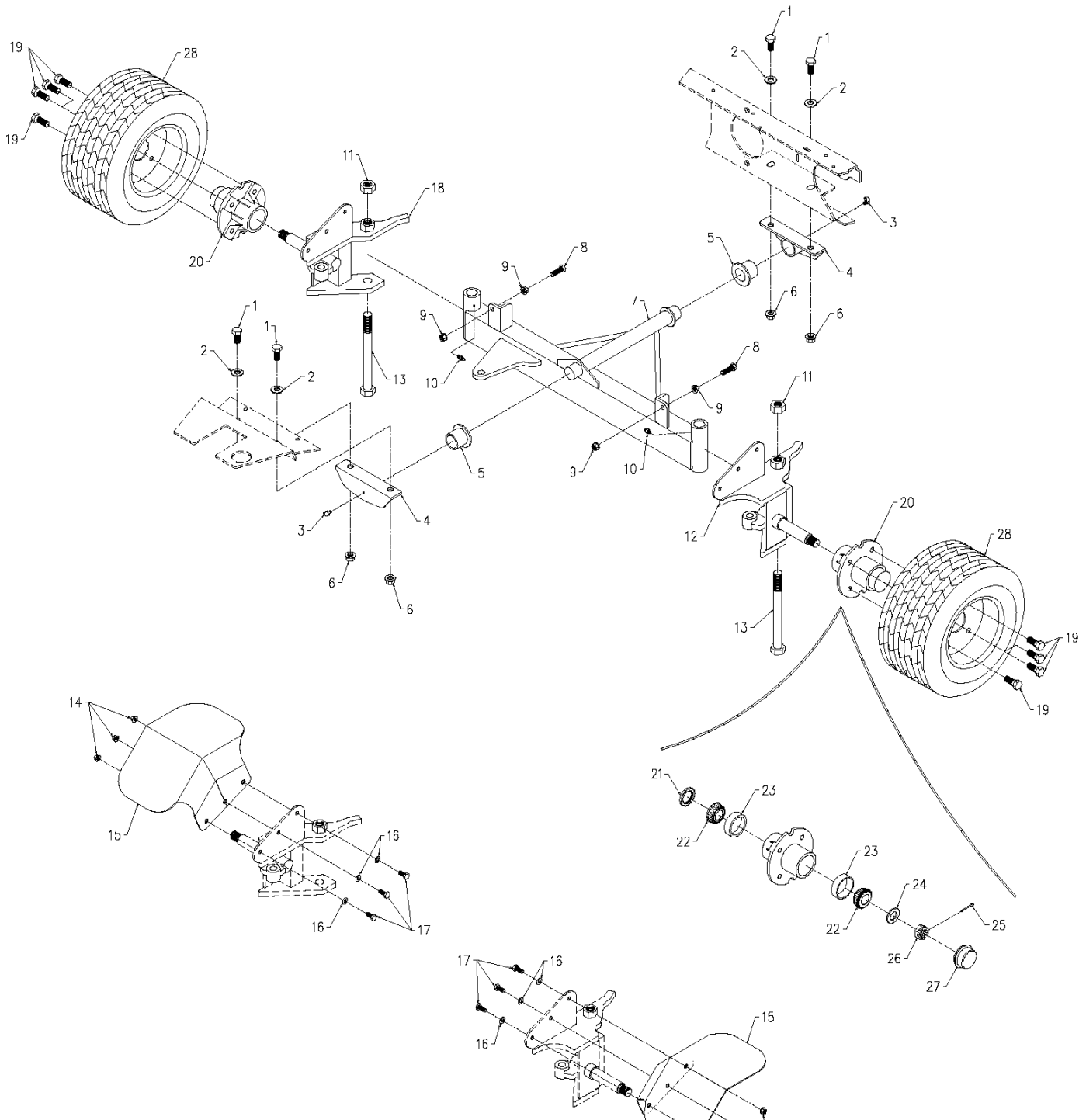
FRAMES & COVERS

FRONT HITCH

REF.	PART NO.	DESCRIPTION	QTY.
1	90.0808	.BOLT, 1/2-13 USS X 1	6
2	95.08	.WASHER, FLAT 1/2 SAE	7
3	64.1317	.BRACKET, SHAFT FRONT LIFT	1
4	99.SF08	.NUT, SF 1/2-13 USS	6
5	80.0359	.SHAFT, FRONT LIFT PIVOT	1
6	62.1066	.FRAME, FRONT HITCH	1
7	85.B0060	.BUSHING, 1 1/4 ID X 1 1/2 OD 1	2
8	29.GF0001	.GREASE FTG, 1/4 SAE ST	1
9	90.1022	.BOLT, 5/8-11 USS X 2 3/4	1
10	99.A10	.LOCKNUT, STOVER 5/8-11 USS	1
11	00.0245-1	.DECAL, HITCH LOCK - FRONT	1
12	99.SF0406	.BOLT, SF 1/4-20 X 3/4	1
13	80.0361	.SHAFT, FOOT PEDAL PIVOT SHAFT	1
14	99.SF04	.NUT, SF 1/4-20 USS	1
15	99.SF06	.NUT, SF 3/8-16 USS	4
16	41.0020	.SPRING, 4 1/4-EXT .765 OD	1
17	90.0610	.BOLT, 3/8-16 USS X 1 1/4	2
18	42.0496	.LINK, FRONT LATCH	1
19	06.0051	.CAP, 3/16 X 15/16 X 1-3/4 FE	1
20	40.0330	.LEVER, FRONT LATCH	1
21	85.B0027	.BUSHING, 1/2 ID X 5/8 OD X 5/8	2
22	99.A06	.LOCKNUT, STOVER 3/8-16 USS	1
23	42.0485	.ROD, FRONT LATCH	1
24	00.0245-2	.DECAL, HITCH LOCK - CENTER	1

FRAMES & COVERS

ILLUSTRATED DRAWING REAR AXLE & TIRES



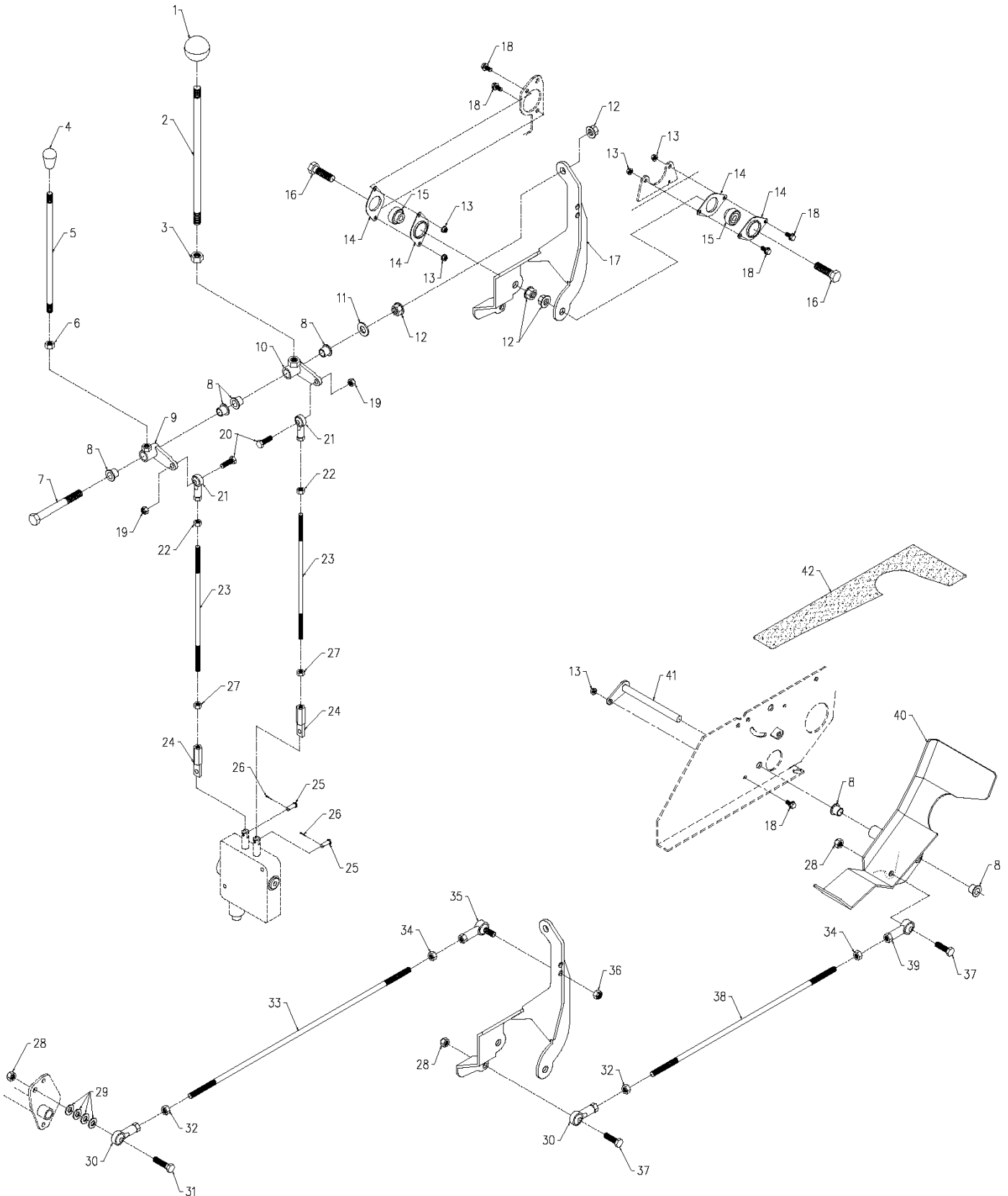
FRAMES & COVERS

REAR AXLE & TIRES

REF.	PART NO.	DESCRIPTION	QTY.
1	90.0808	.BOLT, 1/2-13 USS X 1	4
2	95.08	.WASHER, FLAT 1/2 SAE	4
3	29.GF0002	.GREASE FTG, 1/4 SAE 90	2
4	64.1204	.BRACKET, REAR AXLE	2
5	85.B0060	.BUSHING, 1 1/4 ID X 1 1/2 OD 1	2
6	99.SF08	.NUT, SF 1/2-13 USS	4
7	62.1062	.FRAME, REAR AXLE	1
8	90.0610	.BOLT, 3/8-16 USS X 1 1/4	2
9	99.SF06	.NUT, SF 3/8-16 USS	4
10	29.GF0001	.GREASE FTG, 1/4 SAE ST	2
11	92.12	.NUT, 3/4-10 USS	2
12	50.0173	.SPINDLE, RIGHT REAR ASM	1
13	90.1264	.BOLT, 3/4-10 USS X 8	2
14	99.SF05	.NUT, SF 5/16-18 USS	6
15	60.0924	.FENDER, REAR	2
16	94.05	.WASHER, FLAT 5/16 USS	6
17	90.0506	.BOLT, 5/16-18 USS X 3/4	6
18	50.0174	.SPINDLE, LEFT REAR ASM	1
19	99.K0005	.LUGBOLT, 1/2" X 1-1/4	8
20	53.0125	.HUB, ASM 4 BOLT FOR 1-1/4 SHFT	2
21	89.0077	.SEAL, LIP	1
22	55.0067	.BEARING, ROLLER	2
23	55.0068	.RACE, BEARING	2
24	95.12	.WASHER, FLAT 3/4 SAE	1
25	02.CP0612	.COTTER PIN, 3/16 X 1 1/2	1
26	99.E0086	.NUT, CASTLE 3/4-16 SAE	1
27	53.0132	.DUST CAP, FITS 53.0125	1
28	53.0121	.WHEEL, ASM 18X9.5-8 4BOLT TURF	2
28	53.0130	.TIRE, TURF MASTER 18 X 9.5-8	2
28	53.0129	.RIM, 4 BOLT FOR ASM 53.0121	2

CONTROLS & LINKAGE

ILLUSTRATED DRAWING SDLA & FOOT PEDAL



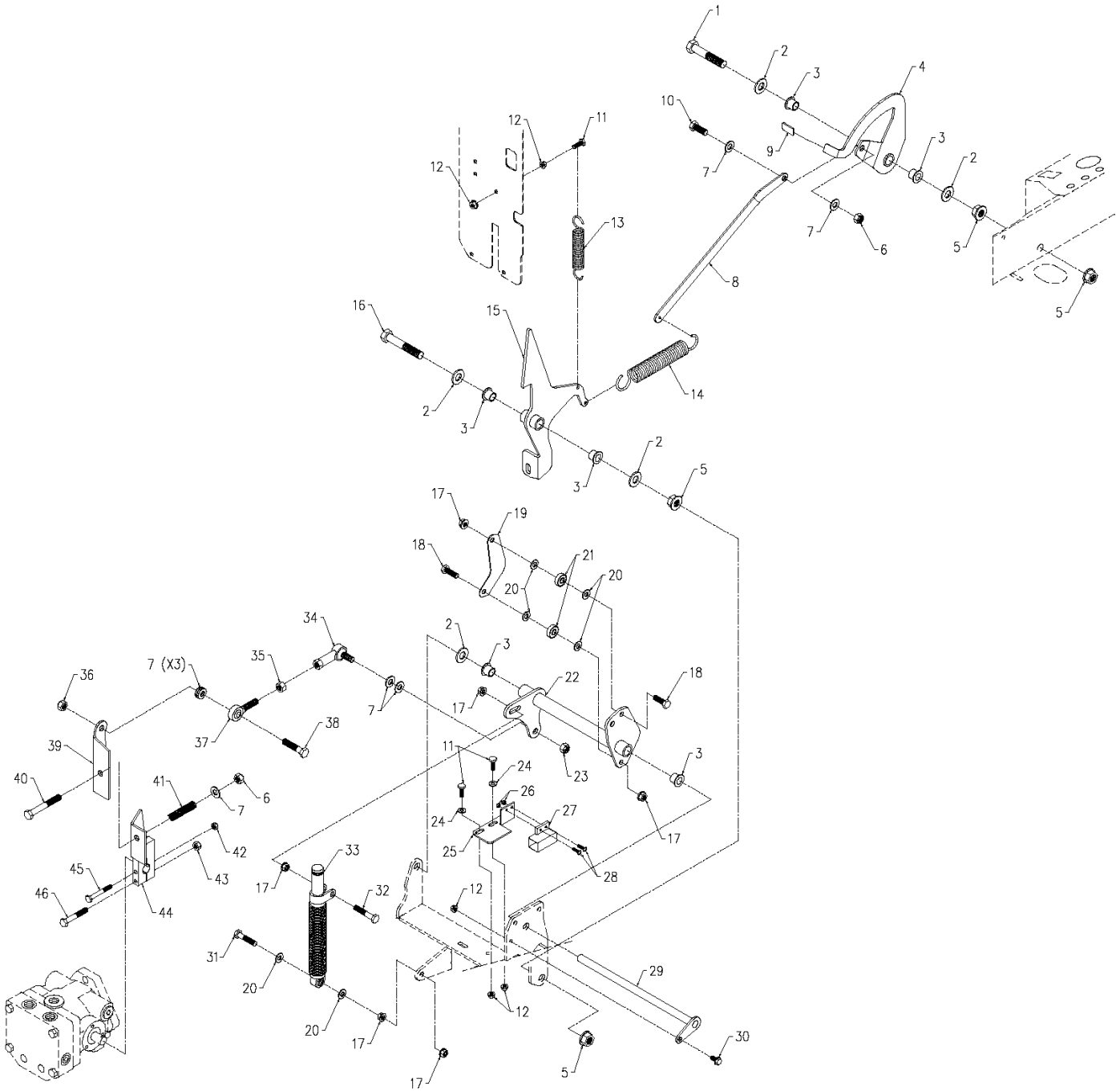
CONTROLS & LINKAGE

SDLA & FOOT PEDAL

REF.	PART NO.	DESCRIPTION	QTY.
1	47.0003	.KNOB, ROUND 2" X 1/2-13	1
2	40.0240	.HANDLE, F/R CONTROL YZP	1
3	92.08-4	.NUT, 1/2-13 YELLOW ZP	1
4	47.0001	.KNOB, SM. #80 3/8-16 THREAD	1
5	40.0241	.HANDLE, AUX CONTROL YZP	1
6	92.06-4	.NUT, 3/8-16 YELLOW ZP	1
7	90.0836	.BOLT, 1/2-13 USS X 4 1/2	1
8	85.B0027	.BUSHING, 1/2 ID X 5/8 OD X 5/8	6
9	42.0481	.ARM, PIVOT LIFT AUX HYD. VALVE	1
10	42.0480	.ARM, PIVOT LIFT HYD. VALVE	1
11	95.08	.WASHER, FLAT 1/2 SAE	1
12	99.SF08	.NUT, SF 1/2-13 USS	4
13	99.SF04	.NUT, SF 1/4-20 USS	5
14	55.0028	.FLANGE, BRG MNT 1.573/1.577 ID	4
15	55.B22012	.INSERT, BEARING 1/2"	2
16	90.0814	.BOLT, 1/2-13 USS X 1 3/4	2
17	42.0479	.LINKAGE, SDLA LEVER	1
18	99.SF0404	.BOLT, SF 1/4-20 X 1/2	5
19	99.A05	.LOCKNUT, STOVER 5/16-18 USS	2
20	90.0508	.BOLT, 5/16-18 USS X 1	2
21	43.005	.ROD END, 5/16 SPHERICAL	2
22	93.05	.NUT, 5/16-24 SAE	2
23	42.0474	.ROD, THRD 5/16-24X11"RH/LH YZP	2
24	43.005-1	.ROD END, 5/16-24LH YZP VAL CTR	2
25	03.0406	.CLEVIS PIN, 1/4 X 3/4	2
26	02.CP0204	.COTTER PIN, 1/16 X 1/2	2
27	99.E0084	.NUT, 5/16-24 LEFT HAND ZP	2
28	99.A06	.LOCKNUT, STOVER 3/8-16 USS	3
29	95.06	.WASHER, FLAT 3/8 SAE	4
30	43.006L	.ROD END, 3/8 SPHERICAL LH THRD	2
31	90.0612	.BOLT, 3/8-16 USS X 1 1/2	1
32	99.E0083	.NUT, JAM 3/8-24 SAE LH ZP	2
33	42.0478	.ROD, THRD 3/8-24 X 28.5" RH/LH	1
34	93.06	.NUT, 3/8-24 SAE	2
35	43.006S	.ROD END, 3/8 SPHERICAL W/STUD	1
36	99.A06NFN	.LOCKNUT, NYLON 3/8-24 SAE ZP	1
37	90.0610	.BOLT, 3/8-16 USS X 1 1/4	2
38	42.0477	.ROD, THRD 3/8-24X18.75" RH/LH	1
39	43.006	.ROD END, 3/8 SPHERICAL	1
40	62.1065	.PEDAL, FOOT	1
41	80.0361	.SHAFT, FOOT PEDAL PIVOT SHAFT	1
42	44.0240	.FLEX TREAD, FOOTPEDAL	1

CONTROLS & LINKAGE

ILLUSTRATED DRAWING PUMP CONTROL LINKAGE



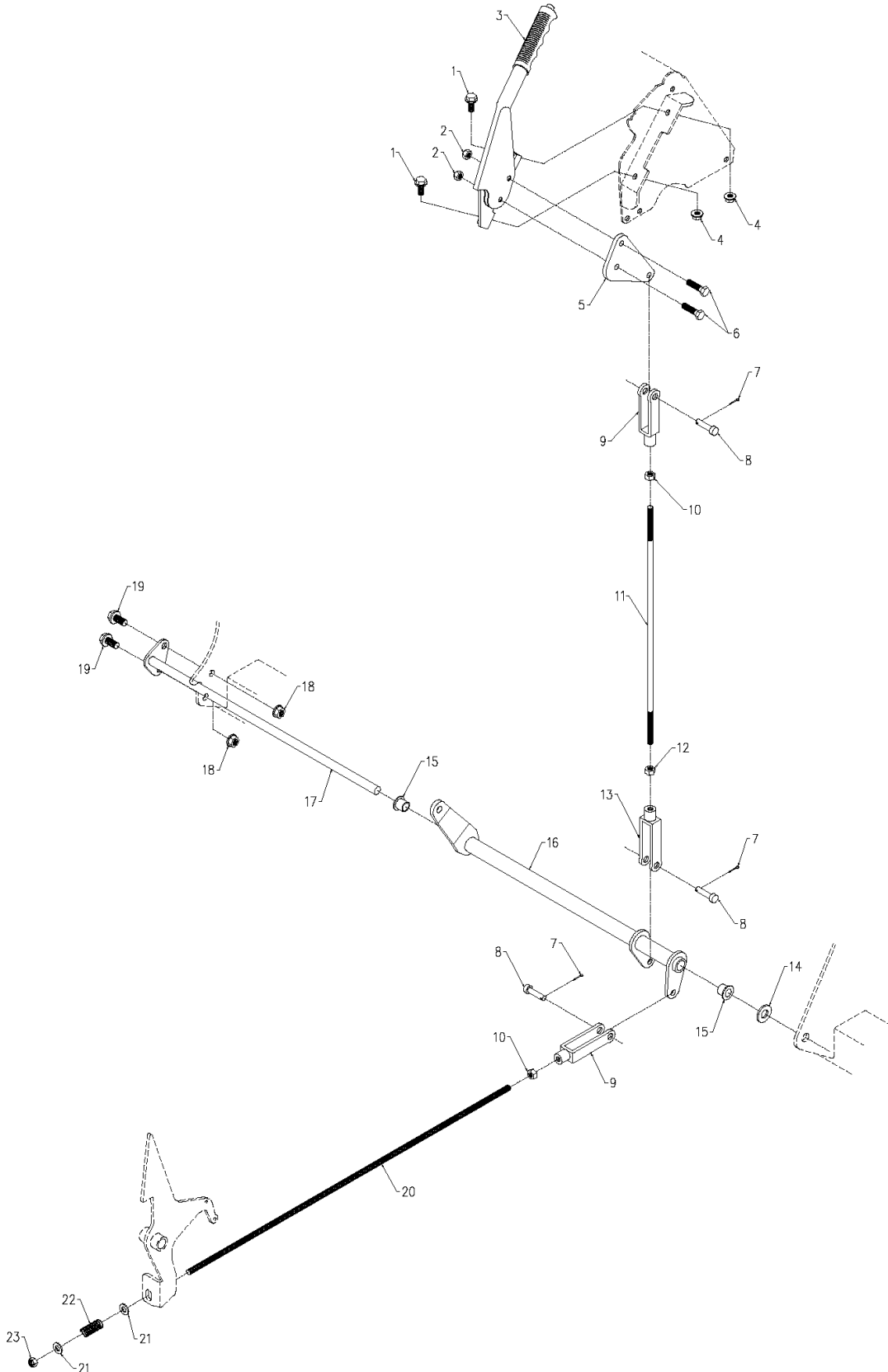
CONTROLS & LINKAGE

PUMP CONTROL LINKAGE

REF.	PART NO.	DESCRIPTION	QTY.
1	90.0822	.BOLT, 1/2-13 USS X 2 3/4	1
2	95.08	.WASHER, FLAT 1/2 SAE	5
3	85.B0027	.BUSHING, 1/2 ID X 5/8 OD X 5/8	6
4	40.0331	.LEVER, RETURN TO NEUTRAL	1
5	99.SF08	.NUT, SF 1/2-13 USS	4
6	99.A06	.LOCKNUT, STOVER 3/8-16 USS	2
7	95.06	.WASHER, FLAT 3/8 SAE	8
8	42.0497	.LINK, SPRING ASSIST	1
9	06.0044	.CAP, PLASTIC 1/8 X 1/2 X 7/8	1
10	90.0608	.BOLT, 3/8-16 USS X 1	1
11	90.0406	.BOLT, 1/4-20 USS X 3/4	3
12	99.SF04	.NUT, SF 1/4-20 USS	5
13	41.0020	.SPRING, 4 1/4-EXT .765 OD	1
14	41.0044	.SPRING, EXT. 1 OD X 6 1/2 VT	1
15	42.0492	.PIVOT, NETURAL BAR	1
16	90.0824	.BOLT, 1/2-13 USS X 3	1
17	99.SF05	.NUT, SF 5/16-18 USS	6
18	90.0508	.BOLT, 5/16-18 USS X 1	2
19	60.0953	.SHIELD, CONTROL ROCKER BEARING	1
20	95.05	.WASHER, FLAT 5/16 SAE	6
21	55.0022	.BEARING, BALL .315 IDX.8661 OD	2
22	42.0483	.ROCKER, PUMP CONTROL	1
23	99.A06NFN	.LOCKNUT, NYLON 3/8-24 SAE ZP	1
24	95.04	.WASHER, FLAT 1/4 SAE	2
25	64.1215	.BRACKET, NETURAL SWITCH	1
26	99.A1032N	.LOCKNUT, NYLON 10-32 STAINLESS	2
27	31.0047	.SWITCH, NEUTRAL	1
28	99.K0047	.MACHINE SCREW, #10-32 X 3/4	2
29	80.0363	.SHAFT, PUMP ROCKER	1
30	99.SF0404	.BOLT, SF 1/4-20 X 1/2	1
31	90.0512	.BOLT, 5/16-18 USS X 1 1/2	1
32	90.0514	.BOLT, 5/16-18 USS X 1 3/4	1
33	47.0242	.DAMPER, 2.625 STROKE GAS SHOCK	1
34	43.006S	.ROD END, 3/8 SPHERICAL W/STUD	1
35	93.06	.NUT, 3/8-24 SAE	1
36	99.A06N	.LOCKNUT, NYLON 3/8-16	1
37	43.006M	.ROD END, 3/8 SPHERICAL	1
38	90.0614	.BOLT, 3/8-16 USS X 1 3/4	1
39	64.1221	.BRACKET, TRUNION CONTROL	1
40	90.0622	.BOLT, 3/8-16 USS X 2 3/4	1
41	41.0089	.SPRING, COMP .415 ID X 2.25 LG	1
42	99.A04N	.LOCKNUT, NYLON 1/4-20	1
43	99.A05	.LOCKNUT, STOVER 5/16-18 USS	1
44	40.0329	.ARM, TRUNION SHAFT	1
45	90.0416	.BOLT, 1/4-20 USS X 2	1
46	90.0516	.BOLT, 5/16-18 USS X 2	1

CONTROLS & LINKAGE

ILLUSTRATED DRAWING PARKING BRAKE & NEUTRAL ROD LINKAGE



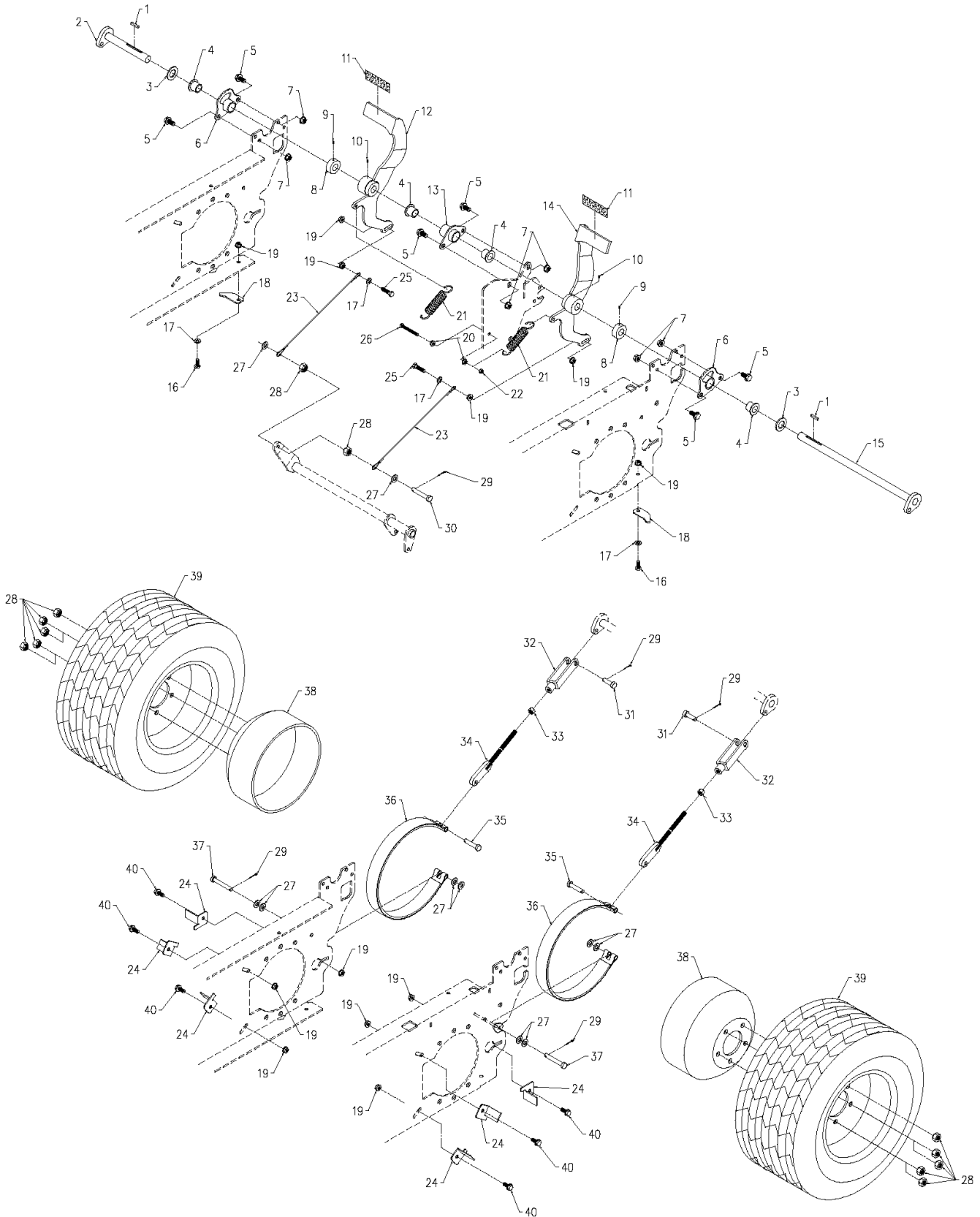
CONTROLS & LINKAGE

PARKING BRAKE & NEUTRAL ROD LINKAGE

REF.	PART NO.	DESCRIPTION	QTY.
1	99.SF0506	.BOLT, SF 5/16-18 USS X 3/4	2
2	99.A05	.LOCKNUT, STOVER 5/16-18 USS	2
3	47.0262	.HANDLE, PARKING BRAKE	1
4	99.SF05	.NUT, SF 5/16-18 USS	2
5	64.1320	.BRACKET, BRAKE LEVER EXT STRAP	1
6	90.0510	.BOLT, 5/16-18 USS X 1 1/4	2
7	02.CP0306	.COTTER PIN, 3/32 X 3/4	3
8	03.0508	.CLEVIS PIN, 5/16 X 1 ZP	3
9	43.C05-1R	.CLEVIS END, 5/16-24 RH YZP	2
10	93.05	.NUT, 5/16-24 SAE	2
11	42.0475	.ROD, THRD 5/16-24X16.5" RH/LH	1
12	99.E0084	.NUT, 5/16-24 LEFT HAND ZP	1
13	43.C05-1L	.CLEVIS END, 5/16-24 LH YZP	1
14	95.08	.WASHER, FLAT 1/2 SAE	1
15	85.B0027	.BUSHING, 1/2 ID X 5/8 OD X 5/8	2
16	42.0484	.PIVOT, BRAKE CONTROL	1
17	80.0360	.SHAFT, BRACKE CONTROL PIVOT	1
18	99.SF06	.NUT, SF 3/8-16 USS	2
19	99.SF0606	.BOLT, SF 3/8-16 USS X 3/4	2
20	42.0490	.ROD, NEUTRAL	1
21	95.05	.WASHER, FLAT 5/16 SAE	2
22	41.0041	.SPRING, COMP 9/16 X 1-3/8L	1
23	99.A05NFN	.LOCKNUT, NYLON 5/16-24 SAE ZP	1

CONTROLS & LINKAGE

ILLUSTRATED DRAWING DRUM BRAKES & TIRES



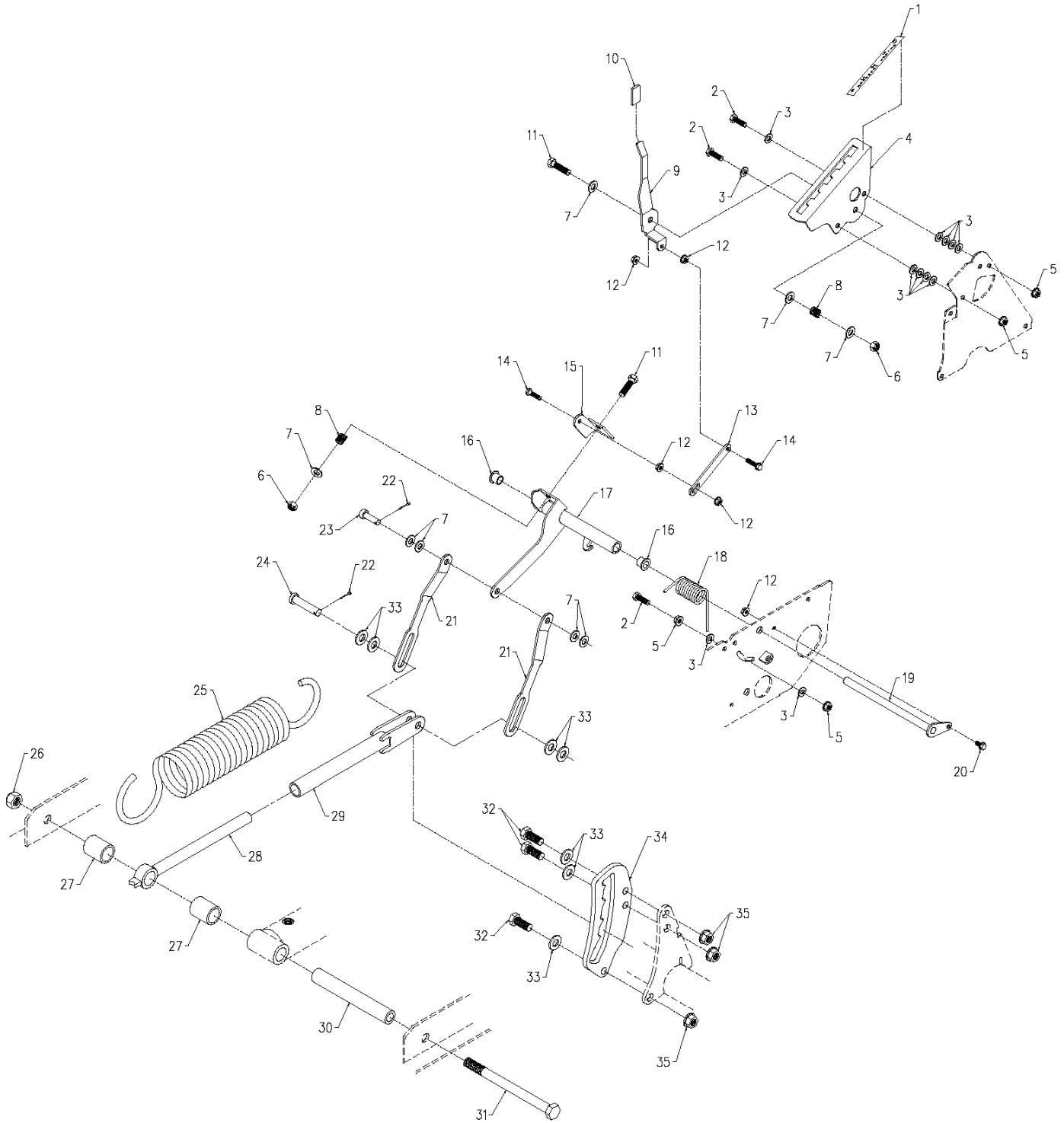
CONTROLS & LINKAGE

DRUM BRAKES & TIRES

REF.	PART NO.	DESCRIPTION	QTY.
1	85.K0310	.KEY, 3/16 X 1 1/4	2
2	80.0358	.SHAFT, LEFT BRAKE	1
3	95.12	.WASHER, FLAT 3/4 SAE	2
4	85.B0077	.BUSHING, 3/4 ID X 1" OD X 3/4	4
5	99.SF0606	.BOLT, SF 3/8-16 USS X 3/4	6
6	64.1202	.BRACKET, BRAKE SHAFT MOUNT	2
7	99.SF06	.NUT, SF 3/8-16 USS	6
8	85.SC12-1	.SET COLLAR, .765"	2
9	85.SS18	.SET SCREW, 5/16-18 X 3/8	2
10	85.SS19	.SET SCREW, 1/4-20 X 1/4"	2
11	44.0245	.FLEX TREAD, BRAKE PEDAL	2
12	62.1064	.PEDAL, LEFT BRAKE	1
13	64.1203	.BRACKET, BRAKE SHAFT MID MOUNT	1
14	62.1063	.PEDAL, RIGHT BRAKE	1
15	80.0357	.SHAFT, RIGHT BRAKE	1
16	90.0506	.BOLT, 5/16-18 USS X 3/4	2
17	95.05	.WASHER, FLAT 5/16 SAE	4
18	64.1219	.RETAINER, BOTTOM BRAKE BAND	2
19	99.SF05	.NUT, SF 5/16-18 USS	12
20	99.SF04	.NUT, SF 1/4-20 USS	2
21	41.0079	.SPRING, 7/8 OD X 3 1/2 LG	2
22	99.A04	.LOCKNUT, STOVER 1/4-20 USS	1
23	45.0046	.CABLE, 1/8 X 12" W/EYELETS	2
24	64.1231	.RETAINER, BRAKE BAND	6
25	90.0510	.BOLT, 5/16-18 USS X 1 1/4	2
26	99.K0064	.BOLT, BUTTON HEAD 1/4 X 2	1
27	95.06	.WASHER, FLAT 3/8 SAE	10
28	99.E0001	.NUT, LUG 1/2-20 SAE	12
29	02.CP0406	.COTTER PIN, 1/8 X 3/4	5
30	03.0618	.CLEVIS PIN, 3/8 X 2-1/4 ZP	1
31	03.0610	.CLEVIS PIN, 3/8 X 1 1/4 ZP	2
32	43.C06	.CLEVIS END, 3/8-24 RH YZP	2
33	93.06	.NUT, 3/8-24 SAE	2
34	42.0495	.ROD, BRAKE ADJUSTER	2
35	03.0614	.CLEVIS PIN, 3/8 X 1-3/4 ZP	2
36	53.0124	.BAND, BRAKE 10-1/4" ID X 1-1/2	2
37	03.0620	.CLEVIS PIN, 3/8 X 2-1/2 ZP	2
38	50.0175	.DRUM, BRAKE	2
39	53.0120	.WHEEL, ASM 24X12-12 5BOLT TURF	2
	53.0131	.TIRE, TURF MASTER 24 X 12 - 12	2
	53.0127	.RIM, 5 BOLT W/NEG OFFSET	2
39	53.0126	.WHEEL, ASM 25X10.5 5BOLT TRAIL	2
	53.0128	.TIRE, ALL TRAIL 25 X 10.5-12	2
40	99.SF0506	.BOLT, SF 5/16-18 USS X 3/4	6

CONTROLS & LINKAGE

ILLUSTRATED DRAWING WEIGHT TRANSFER



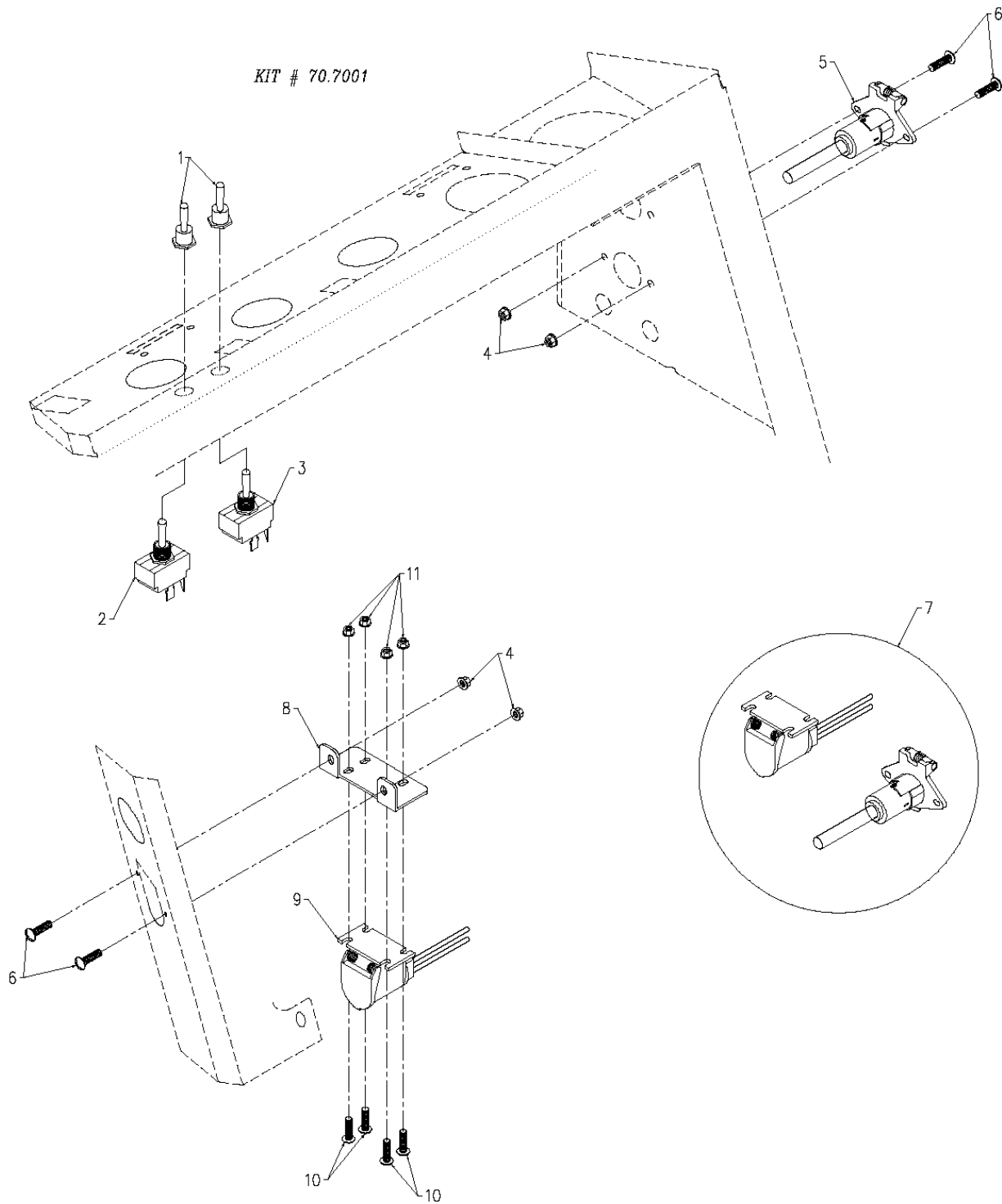
CONTROLS & LINKAGE

WEIGHT TRANSFER

REF.	PART NO.	DESCRIPTION	QTY.
1	00.0244-4	.DECAL, WEIGHT TRANSFER RT.	1
2	90.0508	.BOLT, 5/16-18 USS X 1	3
3	95.05	.WASHER, FLAT 5/16 SAE	12
4	64.1216	.BRACKET, WEIGHT TRANS POSITION	1
5	99.SF05	.NUT, SF 5/16-18 USS	4
6	99.A06N	.LOCKNUT, NYLON 3/8-16	2
7	95.06	.WASHER, FLAT 3/8 SAE	8
8	41.0039	.SPRING, COMP. 9/16 OD X 5/8	1
9	40.0333	.LEVER, WEIGHT TRANSFER	1
10	06.0044	.CAP, PLASTIC 1/8 X 1/2 X 7/8	1
11	90.0612	.BOLT, 3/8-16 USS X 1 1/2	2
12	99.SF04	.NUT, SF 1/4-20 USS	5
13	64.1322	.BRACKET, WEIGHT TRANS LINK	1
14	99.SF0408	.BOLT, SF 1/4 X 1 USS	2
15	64.1321	.BRACKET, WT TRANS CONTROL LINK	1
16	85.B0027	.BUSHING, 1/2 ID X 5/8 OD X 5/8	2
17	42.0494	.PIVOT, WEIGHT TRANSFER CONTROL	1
18	41.0088	.SPRING, TORSION LH 1"ID X 3	1
19	80.0362	.SHAFT, WEIGHT TRANSFER	1
20	99.SF0404	.BOLT, SF 1/4-20 X 1/2	1
21	64.1217	.BRACKET, WEIGHT TRANSFER	2
22	02.CP0406	.COTTER PIN, 1/8 X 3/4	2
23	03.0610	.CLEVIS PIN, 3/8 X 1 1/4 ZP	1
24	03.0818	.CLEVIS PIN, 1/2 X 2-1/4 ZP	1
25	41.0087	.SPRING, WEIGHT TRANSFER 15"	1
26	99.A10	.LOCKNUT, STOVER 5/8-11 USS	1
27	64.1230	.BUSHING, WEIGHT TRANS SPACER	2
28	42.0482	.ROD, INNER WEIGHT TRANSFER	1
29	42.0491	.PIPE, OUTER WEIGHT TRANSFER	1
30	64.1228	.BUSHING, LIFT CYLINDER LONG	1
31	90.1064	.BOLT, 5/8-11 USS X 8	1
32	90.0810	.BOLT, 1/2-13 USS X 1 1/4	3
33	95.08	.WASHER, FLAT 1/2 SAE	7
34	64.1327	.BRACKET, WEIGHT TRANS CATCH	1
35	99.SF08	.NUT, SF 1/2-13 USS	3

OPTIONS

ILLUSTRATED DRAWING 12 VOLT ACCESSORY OPTION



OPTIONS

12 VOLT ACCESSORY OPTION

REF.	PART NO.	DESCRIPTION	QTY.
1	30.0157	.BOOT, TOGGLE SWITCH	2
2	31.0034	.SWITCH, TOGGLE ON/OFF SPST	1
3	31.0041	.SWITCH, TOGGLE DPDT MOOFFMO	1
4	99.E0035	.NUT, SF #10-32	4
5	30.0219	.SOCKET, TRAILER 4-PIN FEMALE	1
6	99.K0062	.MACHINE SCREW, #10-32 X 1/2	4
7	32.0088	.HARNESS, WIRE - R7200 12 V	1
8	64.1344	.BRACKET, 12V PWR OUTLET - RT	1
9	30.0221	.OUTLET, 12 VOLT ALL WEATHER	1
10	99.K0041	.MACHINE SCREW, #8-32 X 1/2	4
11	99.E0062	.NUT, SF#8-32	4