



## EUROPEAN PARTS MANUAL

**Ventrac**  
**3100**  
**Serial # LAH1153-**

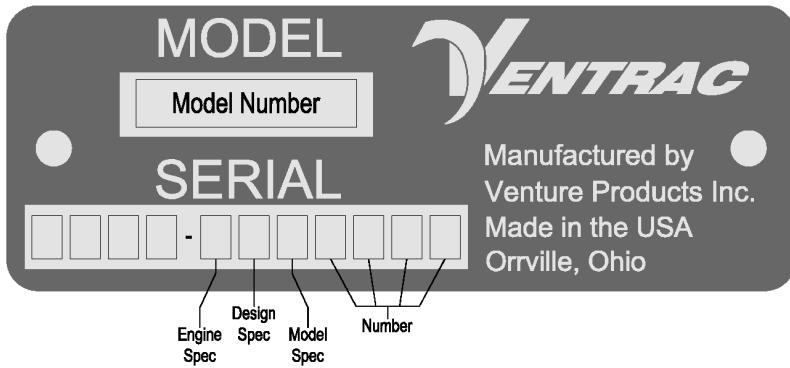


Revised 01/24/20  
09.20010 Rev. 08



500 Venture Drive  
PO Box 148  
Orrville Oh 44667  
www.ventrac.com

### Serial Number Description



ENGINE

L M38 VANGUARD GAS

### Notes

- If any component requires replacement, use only original Ventrac replacement parts.
- When ordering new components, be sure to order all required safety decals. All current safety decals must be affixed to the replacement components prior to installation of the component.

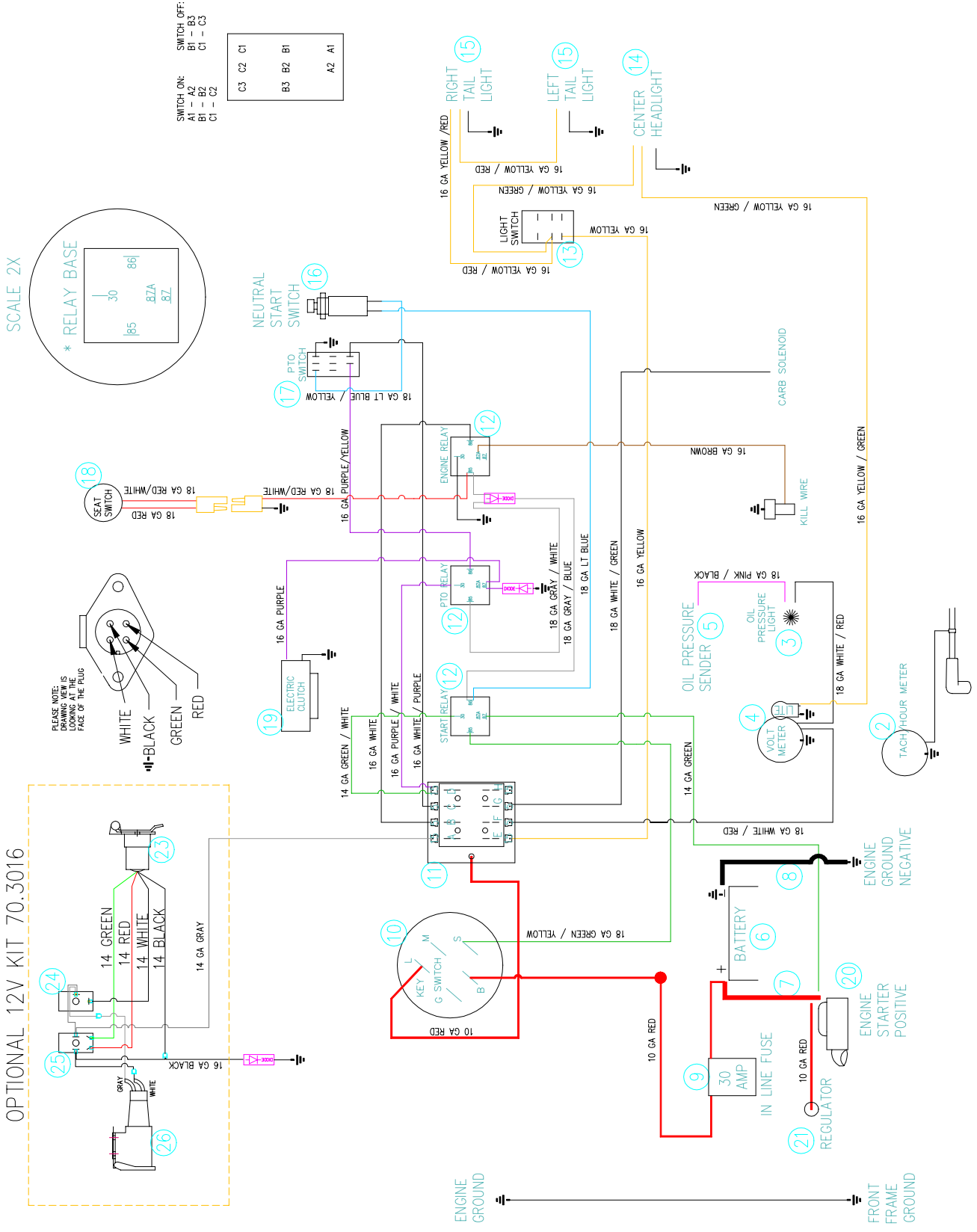
# TABLE OF CONTENTS

---

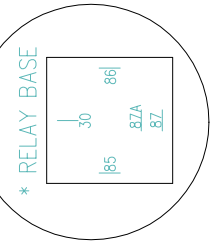
<b>ELECTRICAL</b>	<b>PAGE 4</b>
Wiring Diagram .....	4
<b>HYDRAULICS</b>	<b>PAGE 6</b>
Hydraulic Diagram.....	6
Hydraulic Steering & Filter .....	8
Hydraulic Lift & Valve .....	10
<b>ENGINE</b>	<b>PAGE 12</b>
Engine .....	12
Engine Mount.....	14
Engine Drive.....	16
Fuel System .....	18
<b>AXLES, WHEELS, &amp; DRIVES</b>	<b>PAGE 20</b>
Front Axle .....	20
Rear Axle.....	22
Axle Mount & Tires .....	24
Belt & Pulley Diagram .....	26
Center Shaft Assembly.....	28
Axle Drive.....	30
PTO Drive .....	32
<b>FRAMES, DASH, &amp; HOOD</b>	<b>PAGE 34</b>
Rear Frame .....	34
Front Frame .....	36
Front Hitch.....	38
Highback Seat.....	40
Dash.....	42
Steering Column .....	44
Hood.....	46
Sound Insulation .....	48
<b>CONTROLS &amp; LINKAGE</b>	<b>PAGE 50</b>
SDLA Controls.....	50
Foot Pedal.....	52
Park Brake .....	54
<b>OPTIONS</b>	<b>PAGE 56</b>
Suspension Seat.....	56
Weight Transfer.....	58
Steering Column Tilt.....	60
12V Switch Kit, Rear Weight Bracket Kit.....	62
70.3015 Roll Cage Kit .....	64

# ELECTRICAL

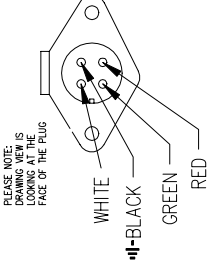
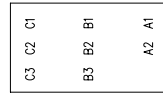
## ILLUSTRATED DRAWING Wiring Diagram



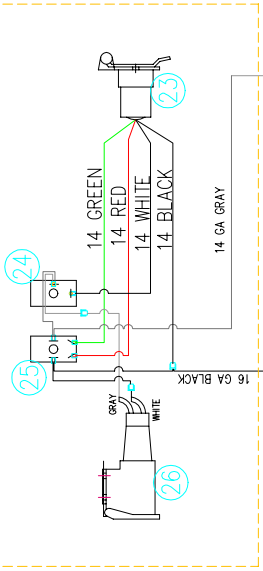
SCALE 2X



SWITCH ON:  
A1 - A2  
B1 - B2  
C1 - C2



OPTIONAL 12V KIT 70.3016



# ELECTRICAL

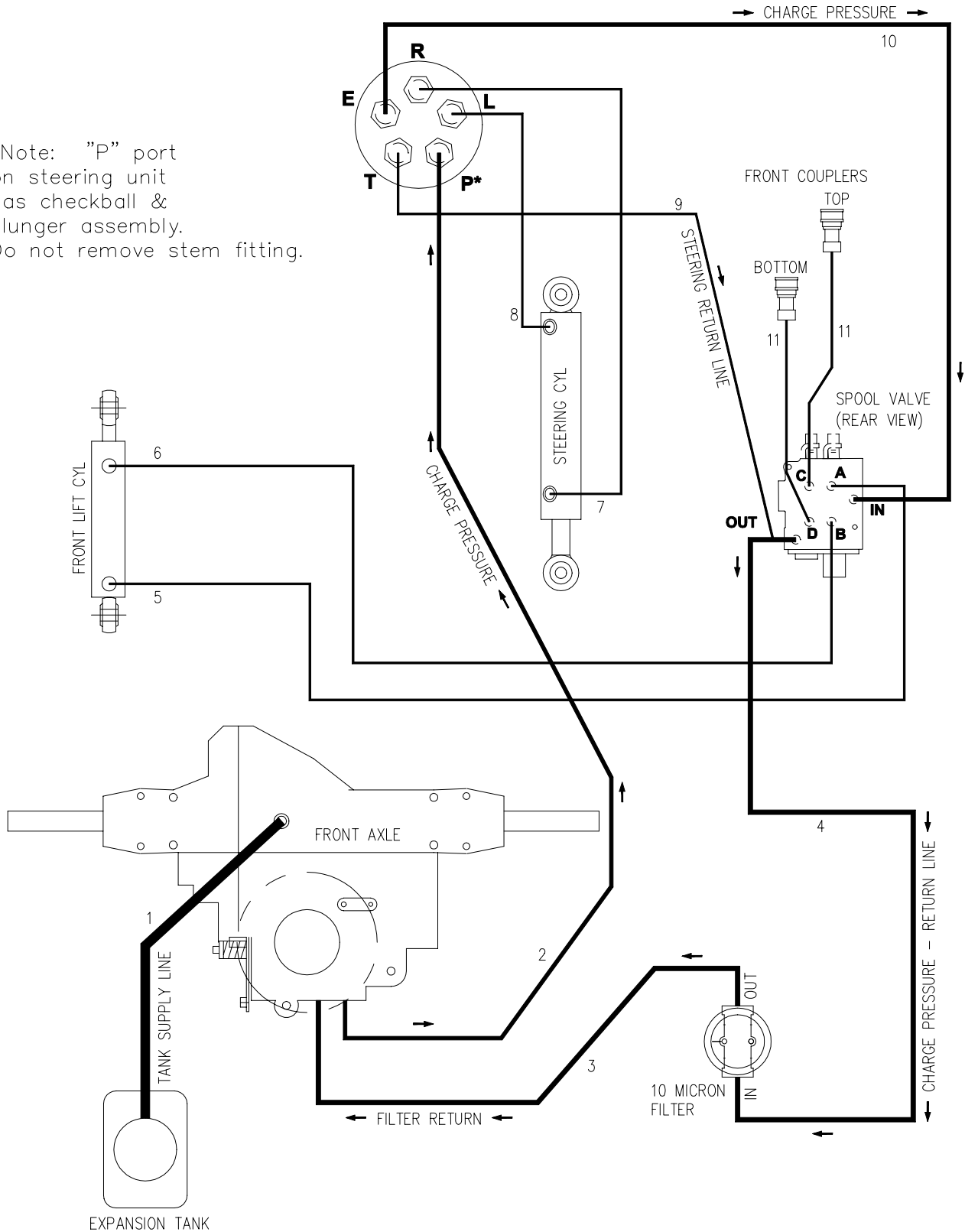
## Wiring Diagram

REF.	PART NO.	DESCRIPTION	QTY.
1	32.0082	.HARNESS, WIRE - LE3100	1
2	35.0111	.GAUGE, HR/TACH ROUND DIGITAL	1
	35.0113	.SENDING UNIT, TACHOMETER 99"	1
3	33.0031	.LIGHT, RED	1
4	35.0101	.GAUGE, VOLTMETER 12 VOLT	1
5	13.690233	.SWITCH, OIL PRESSURE NC	1
6	33.0030	.BATTERY, 450 CCA	1
7	32.0081	.CABLE, ASM POS BATTERY 43"	1
8	32.0065	.CABLE, ASM NEG BATTERY 19" 4GA	1
9	30.0197	.FUSE, 30 AMP ATC BLADE - GREEN	1
10	13.0078	.SWITCH, IGNITION DELTA	1
11	30.0185	.FUSE PANEL, 8 CIRCUIT ATC BLADE	1
12	35.0103	.RELAY, 50 AMP 5 POLE	3
13	31.0036	.SWITCH, CONTOUR ON-OFF DPST	1
14	33.0043	.LIGHT, HEAD 12V 55W HALOGEN	1
15	33.0045	.LIGHT, SEALED MARKER RED	2
16	31.0044	.SWITCH, PUSH BUTTON - NEUTRAL	1
17	31.0043	.SWITCH, PTO - PUSH/PULL	1
18	31.0033	.SWITCH, SEAT 2" ROUND GRAY	1
19	37.0048	.CLUTCH/BRAKE, ELECTRIC OGURA	1
20	13.808726	.STARTER	1
21	13.691185	.REGULATOR	1
22	32.0084	.HARNESS, WIRE - LE31/3200 12 V	1
23	30.0219	.SOCKET, TRAILER 4-PIN FEMALE	1
24	31.0034	.SWITCH, TOGGLE ON/OFF SPST	1
25	31.0041	.SWITCH, TOGGLE DPDT MOOFFMO	1
26	30.0221	.OUTLET, 12 VOLT ALL WEATHER	1

# HYDRAULICS

## ILLUSTRATED DRAWING Hydraulic Diagram TOP VIEW SHOWN UNLESS NOTED

\*Note: "P" port on steering unit has checkball & plunger assembly. Do not remove stem fitting.



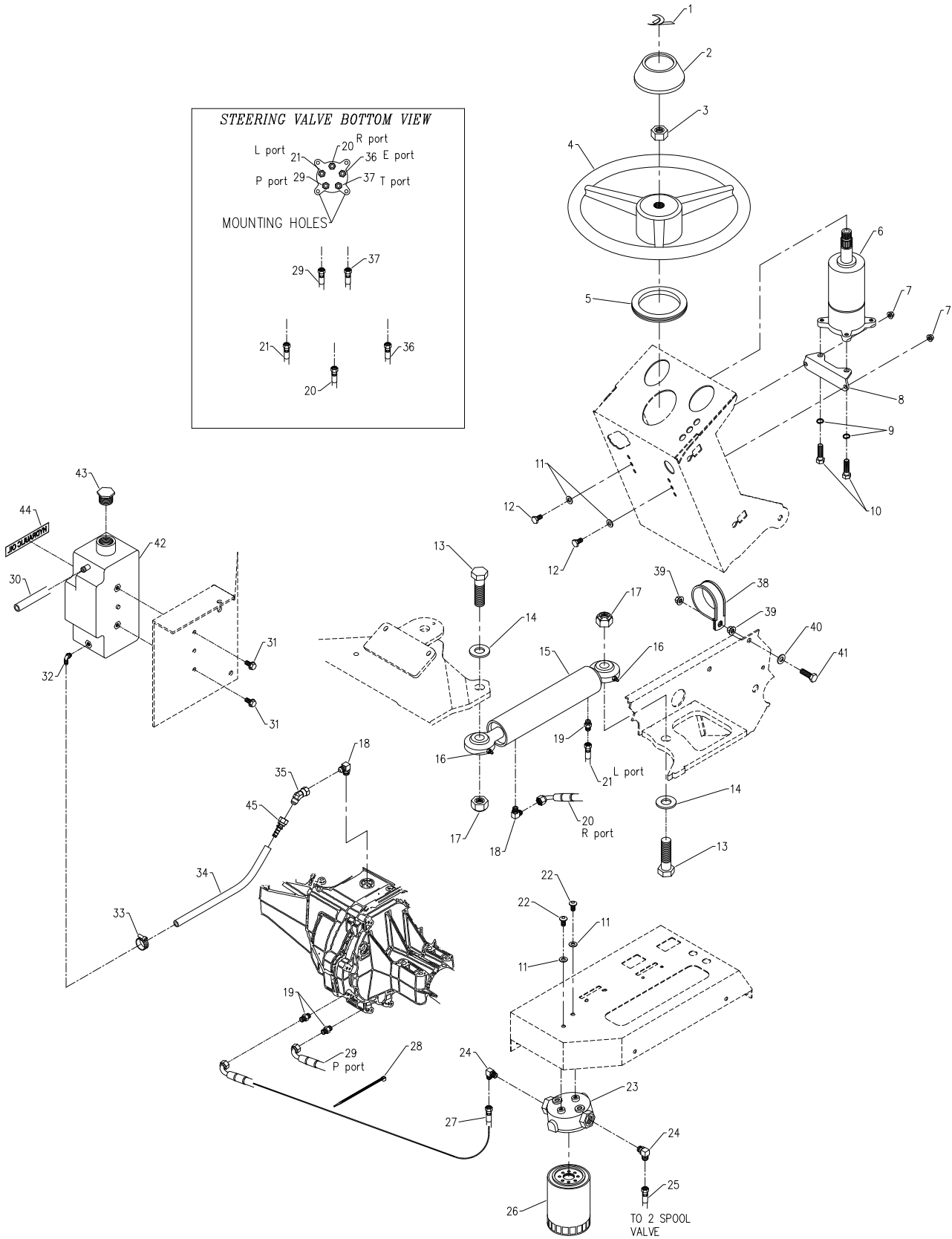
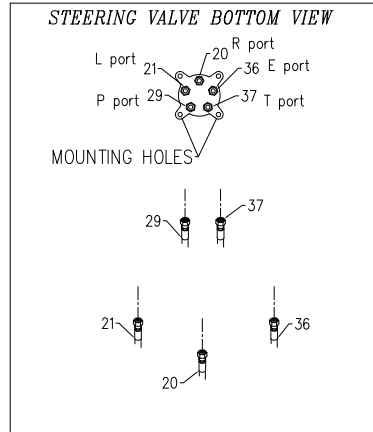
# HYDRAULICS

## Hydraulic Diagram

REF.	PART NO.	DESCRIPTION	QTY.
1	27.P06-50IN	.HOSE, PUSHLOCK X 3/8 /FT X 50"	1
2	20.0242	.HOSE, ASM C 3/8 X 61" - 2500	1
3	20.0245	.HOSE, ASM C 3/8 X 29" - 2500	1
4	20.0244	.HOSE, ASM C 3/8 X 15" - 2500	1
5	20.0248	.HOSE, ASM C 1/4 X 27" - 2750	1
6	20.0212	.HOSE, ASM C 1/4 X 23"-2750	1
7	20.0247	.HOSE, ASM C 1/4 X 41" - 2750	1
8	20.0246	.HOSE, ASM C 1/4 X 31" - 2750	1
9	20.0213	.HOSE, ASM C 1/4 X 46"-2750	1
10	20.0243	.HOSE, ASM C 3/8 X 50" - 2500	1
11	20.0249	.HOSE, ASM C 1/4 X 13" - 2750	2

# HYDRAULICS

## ILLUSTRATED DRAWING Hydraulic Steering & Filter





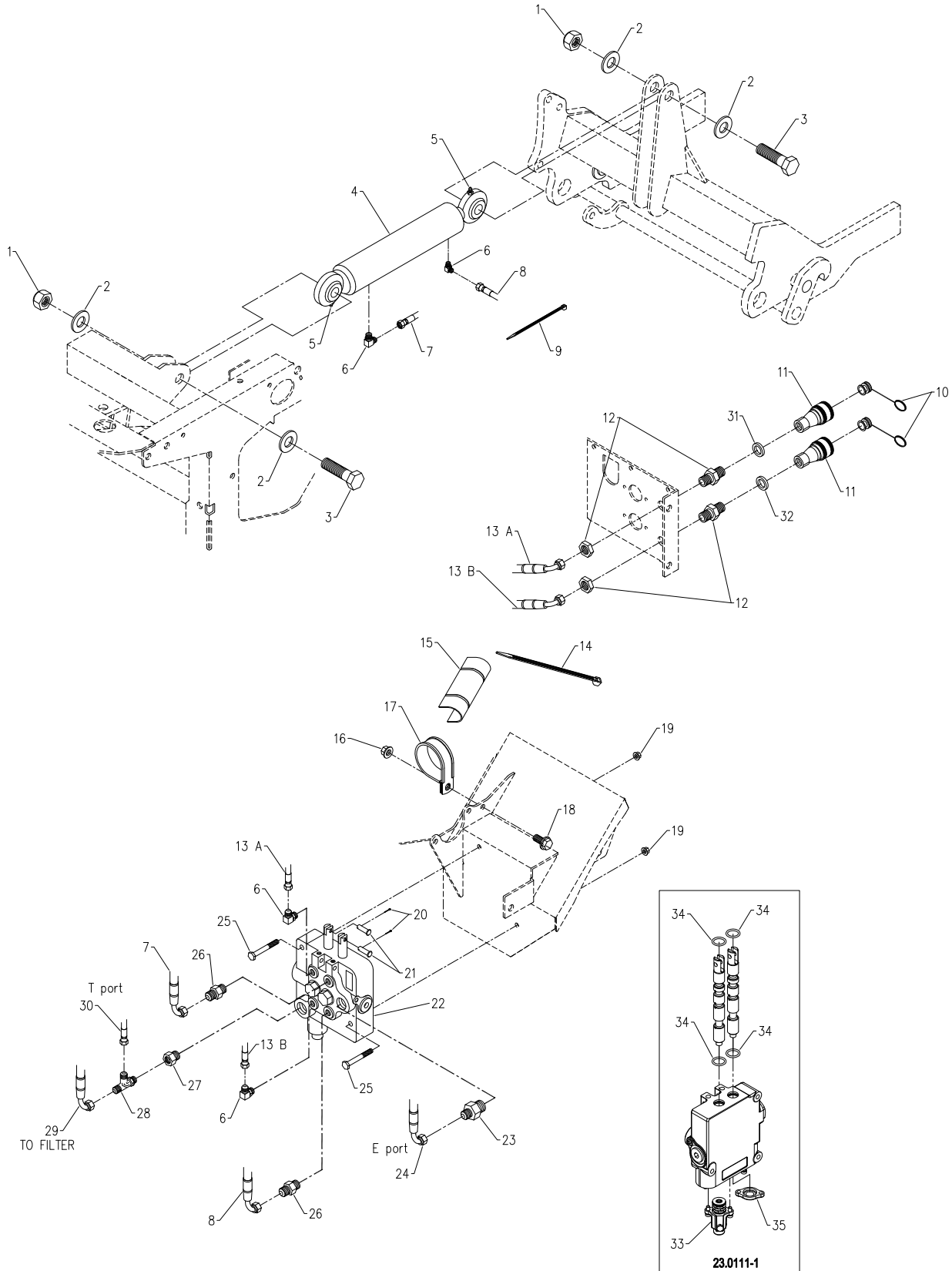
# HYDRAULICS

## Hydraulic Steering & Filter

REF.	PART NO.	DESCRIPTION	QTY.
1	00.0207	.DECAL, VENTRAC DOME	1
2	47.0118	.CAP, STEERING WHEEL	1
3	99.E0011	.NUT, JAM 5/8 SAE	1
4	47.0117	.STEERING WHEEL, 16MM X 40T	1
5	05.0080	.GROMMET, 2-3/4ID,3-5/8OD,5/16T	1
6	23.0113	.VALVE, STEERING-DANFOSS 100CC	1
6	89.0095	.KIT, SEAL 23.0113 STEER VALVE	1
7	99.SF04	.NUT, SF 1/4-20 USS	4
8	64.1262	.BRACKET, STEERING VALVE MOUNT	1
9	96.05	.WASHER, LOCK 5/16	2
10	99.M0009	.BOLT, M8 X 1.25 P X 25 MM LONG	2
11	95.04	.WASHER, FLAT 1/4 SAE	4
12	90.0404	.BOLT, 1/4-20 USS X 1/2	2
13	90.1018	.BOLT, 5/8-11 USS X 2 1/4	2
14	95.10	.WASHER, FLAT 5/8 SAE	2
15	23.0129	.CYLINDER, 1-1/2" X 8" STEERING	1
16	29.GF0001	.GREASE FTG, 1/4 SAE ST	2
17	99.A10	.LOCKNUT, STOVER 5/8-11 USS	2
18	25.6801-06-06	.FITTING, 90 ME 3/8 X 3/8	2
19	25.6400-06-06	.FITTING, M CONN 3/8 X 3/8	3
20	20.0247	.HOSE, ASM C 1/4 X 41 - 2750	1
21	20.0246	.HOSE, ASM C 1/4 X 31 - 2750	1
22	99.K0063	.BOLT, BUT HD SOCK SS 1/4 X 1/2	2
23	21.0115	.FILTER, HEAD 3/4" PORT SAE-8	1
24	25.6801-06-08	.FITTING, 90 ME 3/8 X 1/2	2
25	20.0244	.HOSE, ASM C 3/8 X 15 - 2500	1
26	21.0078	.FILTER, HYDRAULIC 10 MICRON	1
27	20.0245	.HOSE, ASM C 3/8 X 29 - 2500	1
28	30.0037	.TYTON TIE, #50 .18 X 8 BLACK	1
29	20.0242	.HOSE, ASM C 3/8 X 61 - 2500	1
30	27.T06-2-20IN	.TUBE, PVC CLEAR 3/8 OD X 1/4 ID X 20"	1
31	99.SF0404	.BOLT, SF 1/4-20 X 1/2	2
32	29.BF06MP0290-1	.FITTING, B. 3/8 BRB 1/8 NPT 90	1
33	11.0038	.CLAMP, HOSE S/S 7/32 - 5/8	1
34	27.P06-50IN	.HOSE, PUSHLOCK X 3/8 /FT X 50"	1
35	25.6502-06-06	.FITTING, 45 MFE 3/8 X 3/8	1
36	20.0243	.HOSE, ASM C 3/8 X 50 - 2500	1
37	20.0213	.HOSE, ASM C 1/4 X 46"-2750	1
38	11.0065	.CLAMP, CUSHIONED METAL 2"	1
39	99.SF05	.NUT, SF 5/16-18 USS	2
40	95.05	.WASHER, FLAT 5/16 SAE	1
41	90.0508	.BOLT, 5/16-18 USS X 1	1
42	47.0258	.TANK, COOLANT/HYDRAULIC OIL	1
43	05.0108	.PLUG, 3/4" NPT M, WHITE	1
44	00.0148	.DECAL, HYD. OIL 3-7/16 X 3/4	1
45	27.P06FS06	.HOSE END, #6 F JIC 3/8 P.LOCK	1

# HYDRAULICS

## ILLUSTRATED DRAWING Hydraulic Lift & Valve



# HYDRAULICS

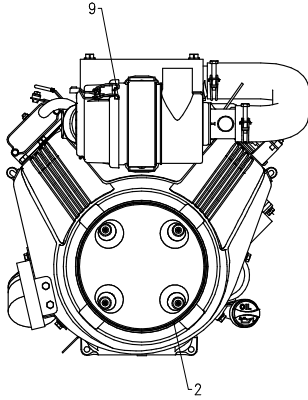
## Hydraulic Lift & Valve

REF.	PART NO.	DESCRIPTION	QTY.
1	99.A10	.LOCKNUT, STOVER 5/8-11 USS	2
2	95.10	.WASHER, FLAT 5/8 SAE	4
3	90.1018	.BOLT, 5/8-11 USS X 2 1/4	2
4	23.0130	.CYLINDER, 1-1/2" X 5"	1
5	29.GF0001	.GREASE FTG, 1/4 SAE ST	2
6	25.6801-06-06	.FITTING, 90 ME 3/8 X 3/8	4
7	20.0248	.HOSE, ASM C 1/4 X 27 - 2750	1
8	20.0212	.HOSE, ASM C 1/4 X 23"-2750	1
9	30.0037	.TYTON TIE, #50 .18 X 8 BLACK	1
10	23.0126	.PLUG, NYLON FOR 23.0106	2
11	23.0106	.COUPLER, HYD. QUICK FEMALE 1/4	2
12	25.2706-04-06LN	.FITTING, BULKHEAD W/LOCKNUT	2
13	20.0149	.HOSE, ASM X 17-1/2" 1/4-1W	2
14	30.0204	.TYTON TIE, #50 .190 X 12"	3
15	44.0224	.SLEEVE, HOSE PROTECTOR 6"	1
16	99.SF06	.NUT, SF 3/8-16 USS	1
17	11.0065	.CLAMP, CUSHIONED METAL 2"	1
18	99.SF0606	.BOLT, SF 3/8-16 USS X 3/4	1
19	99.SF04	.NUT, SF 1/4-20 USS	2
20	02.CP0204	.COTTER PIN, 1/16 X 1/2	2
21	03.0406	.CLEVIS PIN, 1/4 X 3/4	2
22	23.0111-1*	.VALVE, HY 2 SPL W/LH FLT,RH SP	1
23	25.6400-06-08	.FITTING, M CONN 3/8 X 1/2	1
24	20.0243	.HOSE, ASM C 3/8 X 50 - 2500	1
25	90.0416	.BOLT, 1/4-20 USS X 2	2
26	25.6400-06-06	.FITTING, M CONN 3/8 X 3/8	2
27	25.6410-08-06	.FITTING, M/F O-RING 1/2 X 3/8	1
28	25.6804-6-6-6	.FITTING, M TEE 3/8 X 3/8 X 3/8	1
29	20.0244	.HOSE, ASM C 3/8 X 15 - 2500	1
30	20.0213	.HOSE, ASM C 1/4 X 46"-2750	1
31	05.0117	.WASHER, .544ID X .817 X.14 YEL	1
32	05.0116	.WASHER, .544ID X .817 X.14 RED	1
33	23.0111-7	.KIT, SPOOL FLOAT HYD. VALVE	1
34	26.0027	.O-RING, 5/8ID X 13/16OD X 3/32	4
35	23.0111-8	.CAP, VALVE	1

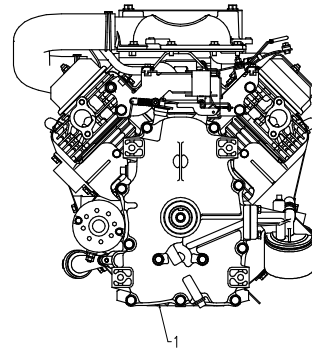
# ENGINE

## ILLUSTRATED DRAWING Engine

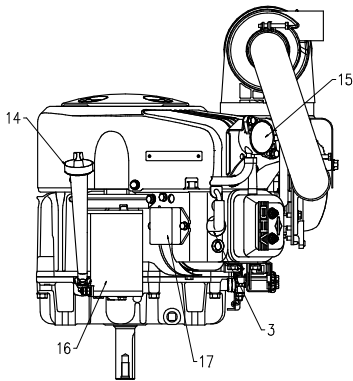
TOP VIEW



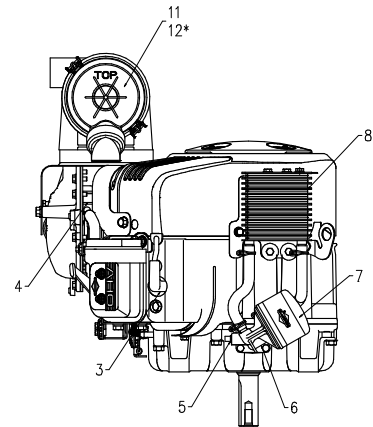
BOTTOM VIEW



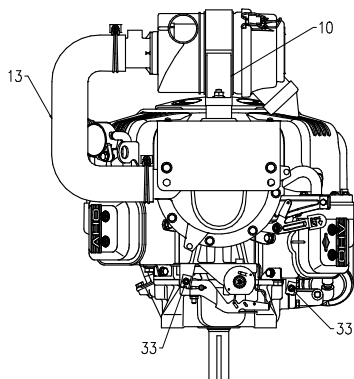
LEFT VIEW



RIGHT VIEW



REAR VIEW



# ENGINE

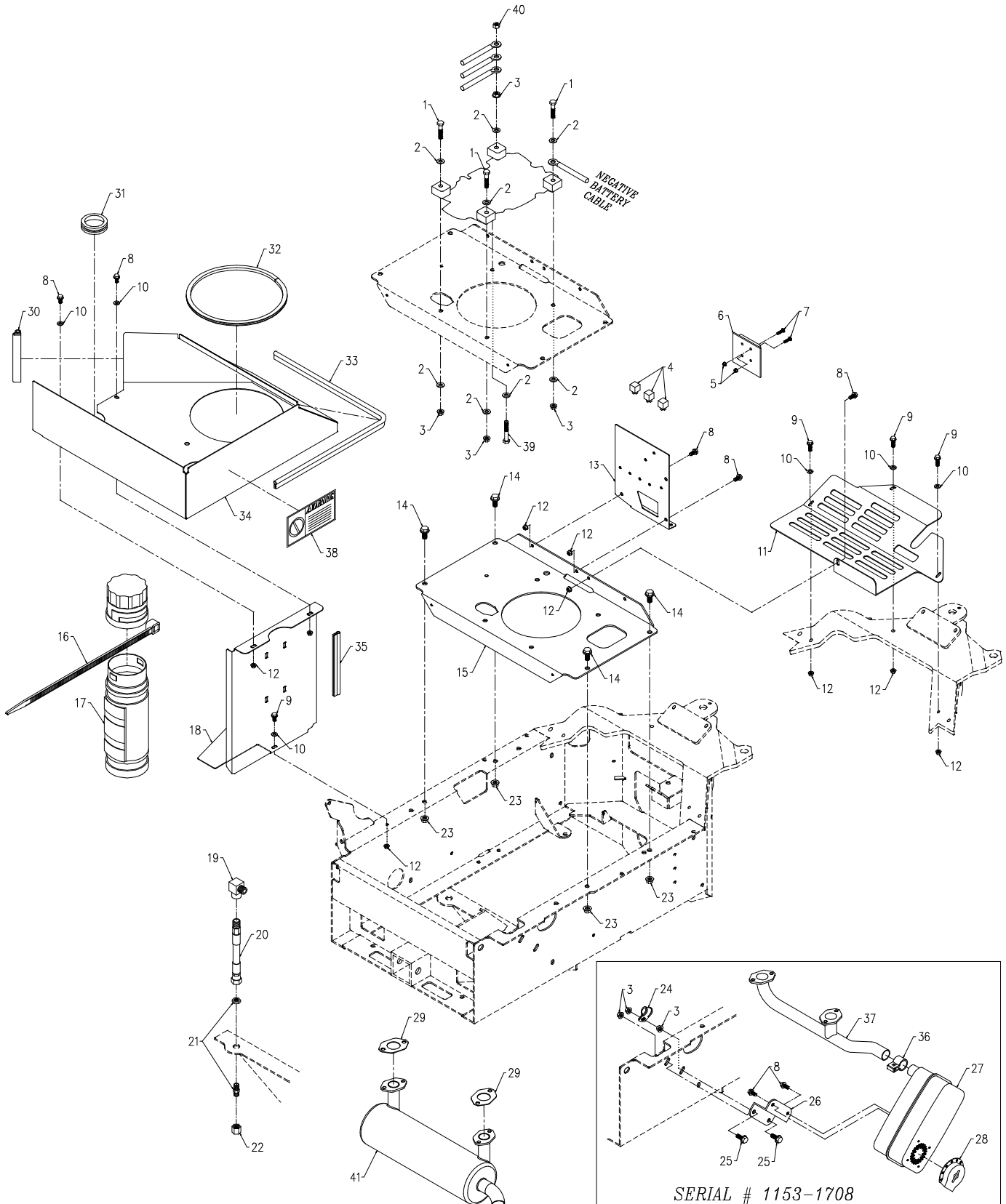
## Engine

REF.	PART NO.	DESCRIPTION	QTY.
1	13.0212	ENGINE, VANGUARD 21HP GAS	1
2	13.841440	SCREEN, ROTATING	1
3	13.491055S	PLUG, SPARK	2
4	13.841412	CARBURETOR	1
5	13.690233	SWITCH, OIL PRESSURE NC	1
6	13.808537	ADAPTER, OIL FILTER	1
7	13.842921	FILTER, OIL	1
8	13.808657	COOLER, OIL	1
9	13.0228	AIR CLEANER, COMPLETE ASM.	1
10	13.0219	CLAMP, AIR FILTER	1
11	13.0226	FILTER, AIR OUTER ELEMENT	1
12	13.0227*	FILTER, AIR - INNER ELEMENT	1
13	13.842445	HOSE, AIR INTAKE	1
14	13.692101	DIPSTICK, OIL	1
15	13.808656	PUMP, MECHANICAL	1
16	13.808726	STARTER	1
17	13.841170	REGULATOR	1
18	13.492341	ARMATURE	1
19	13.841178	ALTERNATOR, 20/50 AMP	1
20	13.692069	SPRING, GOVERNOR IDLE	1
21	13.692071	SPRING, GOVERNOR	1
22	13.825418	STARTER, SOLENOID	1
23	13.805101S	SEAL, OIL MAGNETO SIDE	1
24	13.805049S	SEAL, OIL PTO SIDE	1
25	13.842261	KIT, CARBURETOR	1
26	13.842658	GASKET SET	1
27	13.842622	GASKET, HEAD	1
28	13.842659	GASKET, VALVE SET	1
29	13.806039S	GASKET, VALVE COVER	1
30	13.842589	GASKET, CRANKCASE	1
31	13.808648	COVER, ROCKER	1
32	13.692319	DIODE HARNESS	1
33	45.0050	CLAMP, CABLE CONDUIT (Serial # 2231-)	2

\* Optional inner element.

# ENGINE

## ILLUSTRATED DRAWING Engine Mount



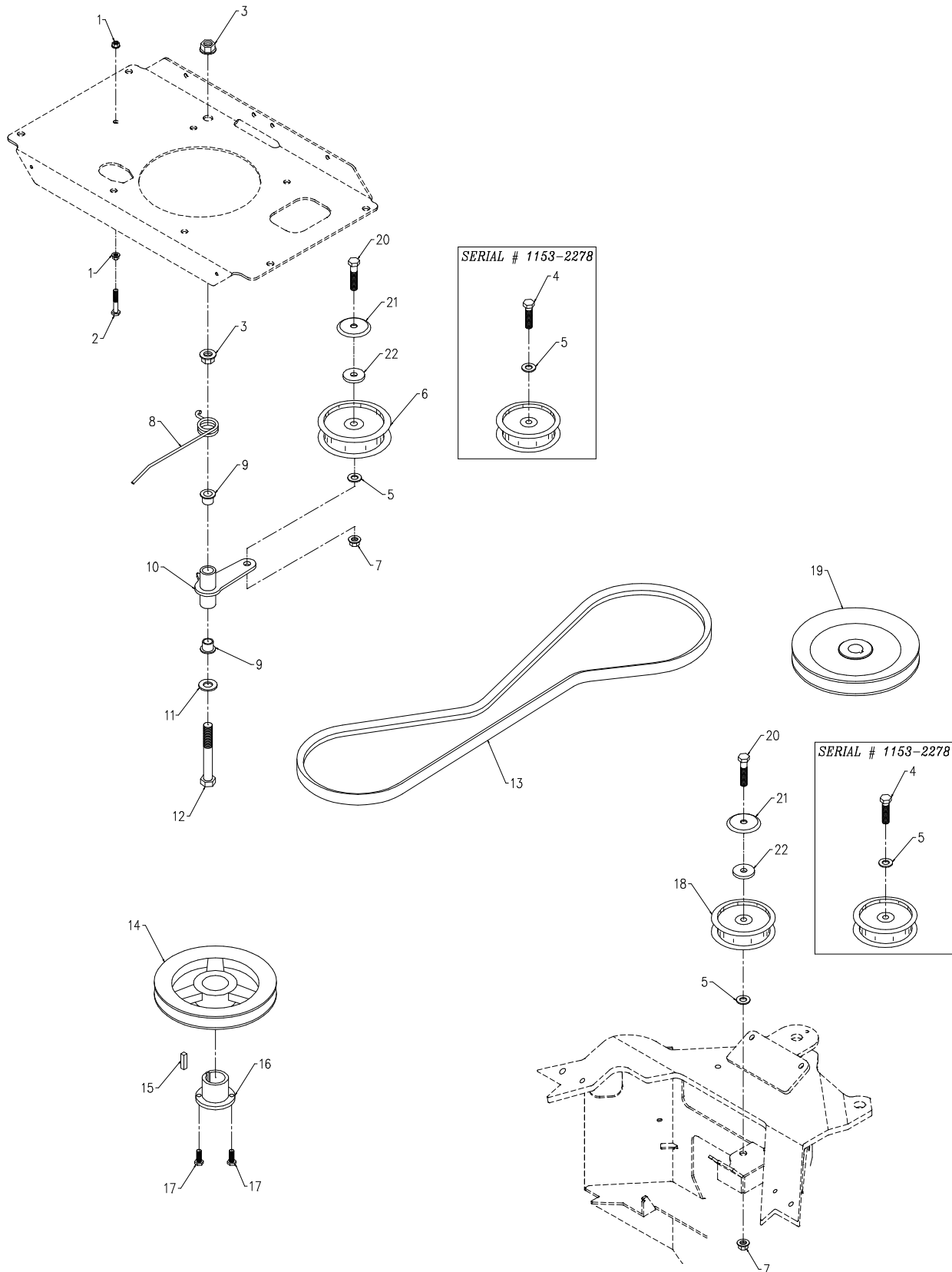
# ENGINE

## Engine Mount

REF.	PART NO.	DESCRIPTION	QTY.
1	90.0512	.BOLT, 5/16-18 USS X 1 1/2	3
2	95.05	.WASHER, FLAT 5/16 SAE	8
3	99.SF05	.NUT, SF 5/16-18 USS	6
4	35.0103	.RELAY, 50 AMP 5 POLE	3
5	99.E0035	.NUT, SF #10-32	2
6	30.0185	.FUSE PANEL, 8 CIRCUIT ATC BLAD	1
7	99.K0059	.MACHINE SCREW, #10-32 X 1	2
8	99.SF0404	.BOLT, SF 1/4-20 X 1/2	7
9	99.SF0406	.BOLT, SF 1/4-20 X 3/4	4
10	95.04	.WASHER, FLAT 1/4 SAE	6
11	62.1276	.SHIELD, ENGINE DRIVE BELT	1
12	99.SF04	.NUT, SF 1/4-20 USS	8
13	62.1268	.PANEL, ELECTRICAL	1
14	99.SF0606	.BOLT, SF 3/8-16 USS X 3/4	4
15	62.1267	.MOUNT, ENGINE PLATE	1
16	30.0103	.TYTON TIE, #250 .5 X 20 BLACK	2
17	47.0243	.TUBE, MANUAL HOLDER - BLACK	1
18	60.1007	.SHIELD, AIR INTAKE - SIDE	1
19	25.5502-06-04	.FITTING, 90 MFE 3/8 X 1/4	1
20	22.0043	.HOSE, ASM X 10" 3/8 PLOCK	1
21	25.2700-06-06LN	.FITTING, BULKHEAD 3/8 W/LOCNUT	1
22	25.304-C-06	.FITTING, CAP 3/8 #6 JIC	1
23	99.SF06	.NUT, SF 3/8-16 USS	4
24	11.0046	.CLAMP, CUSHIONED METAL 1/2" (Serial # 1153-1708)	1
25	99.SF0506	.BOLT, SF 5/16-18 USS X 3/4	2
26	64.1294	.MOUNT, MUFFLER (Serial # 1153-1708)	1
27	13.498984S	.MUFFLER, EXHAUST FOR 13.0212 (Serial # 1153-1708)	1
28	13.0222	.DEFLECTOR, EXHAUST # 13.0213 (Serial # 1153-1708)	1
29	13.806425	.GASKET, EXHAUST	2
30	06.0049-3.75IN	.TRIM, TRIM SEAL W/BULB X 3-3/4"	1
31	05.0073	.GROMMET, 2 ID, 2-3/4 OD 9/16 T	1
32	06.0049-27IN	.TRIM, TRIM SEAL W/BULB X 27"	1
33	06.0043-54.75IN	.TRIM, TRIM SEAL W/BULB X 54-3/4"	1
34	60.1089	.SHIELD, TOP AIR INTAKE	1
35	06.0043-12.75IN	.TRIM, TRIM SEAL W/BULB X 12-3/4"	1
36	13.691956	.CLAMP, MUFFLER (Serial # 1153-1708)	1
37	13.808916	.MANIFOLD, EXHASUT PIPE (Serial # 1153-1708)	1
38	00.0124	.DECAL, WARNING BATTERY - GASES (Serial # 1153-2278)	1
39	90.0516	.BOLT, 5/16-18 USS X 2	1
40	92.05	.NUT, 5/16-18 USS	1
41	13.0236	.MUFFLER, VANGUARD 21HP (Serial # 1709-)	1

# ENGINE

## ILLUSTRATED DRAWING Engine Drive





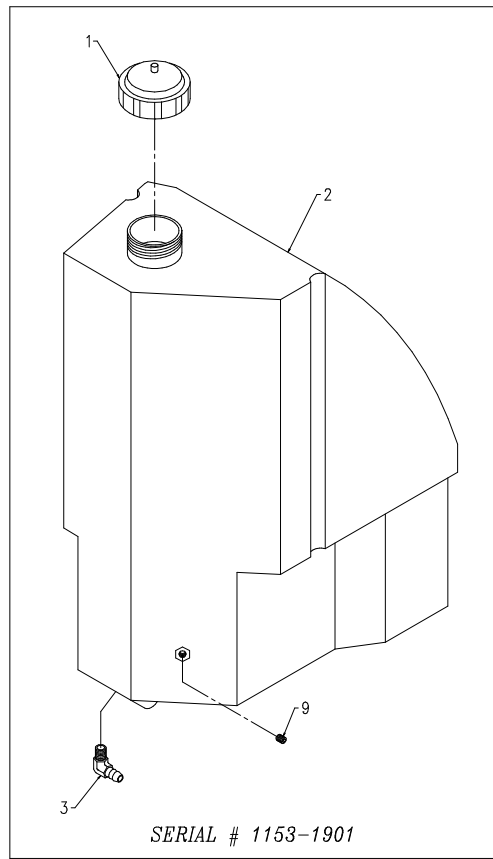
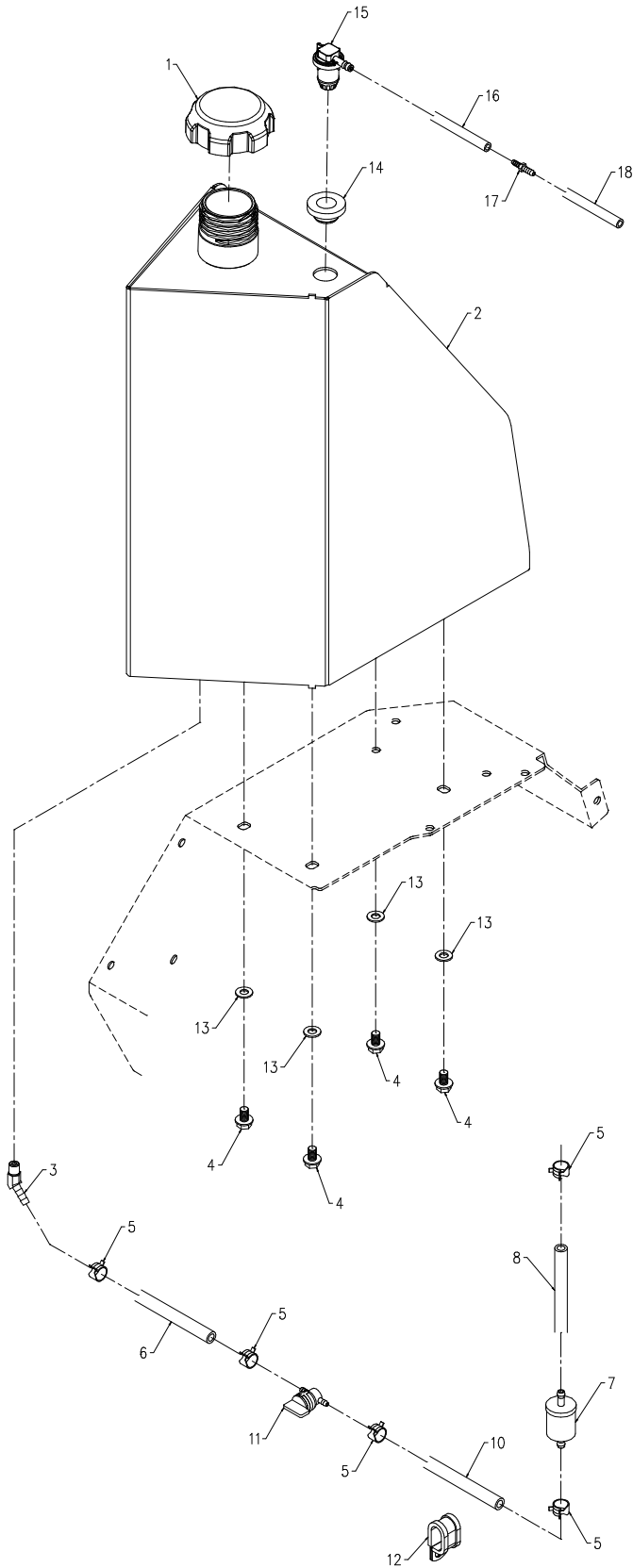
# ENGINE

## Engine Drive

REF.	PART NO.	DESCRIPTION	QTY.
1	99.SF04	.NUT, SF 1/4-20 USS	2
2	90.0412	.BOLT, 1/4-20 USS X 1 1/2	1
3	99.SF08	.NUT, SF 1/2-13 USS	2
4	90.0612	.BOLT, 3/8-16 USS X 1 1/2 (Serial # 1153-2278)	2
5	95.06	.WASHER, FLAT 3/8 SAE	4
6	83.0037	.PULLEY, IDLER FLAT 4" X 3/8	1
7	99.SF06	.NUT, SF 3/8-16 USS	2
8	41.0084	.SPRING, TORSION LH 1-3/16 IDX7	1
9	85.B0027	.BUSHING, 1/2 ID X 5/8 OD X 5/8	2
10	40.0347	.IDLER ARM, DRIVE BELT ENGINE	1
11	95.08	.WASHER, FLAT 1/2 SAE	1
12	90.0830	.BOLT, 1/2-13 USS X 3-3/4	1
13	81.B065	.BELT, B65	1
14	83.BK70H	.PULLEY, 7" H-BUSH	1
15	85.K0408	.KEY, 1/4 X 1	1
16	83.H18	.BUSHING, 1 1/8" H	1
17	90.0406	.BOLT, 1/4-20 USS X 3/4	2
18	83.0013	.PULLEY, IDLER FLAT 3/8 X 3 1/2	1
19	83.0052	.PULLEY, 7-13/16 25 MM STR BORE	1
20	90.0614	.BOLT, 3/8-16 USS X 1 3/4 (Serial # 2279-)	2
21	60.1056	.COVER, PULLEY (Serial # 2279-)	2
22	99.G0014	.WASHER, 3/8 USS FW .165 THK (Serial # 2279-)	2

# ENGINE

## ILLUSTRATED DRAWING Fuel System



# ENGINE

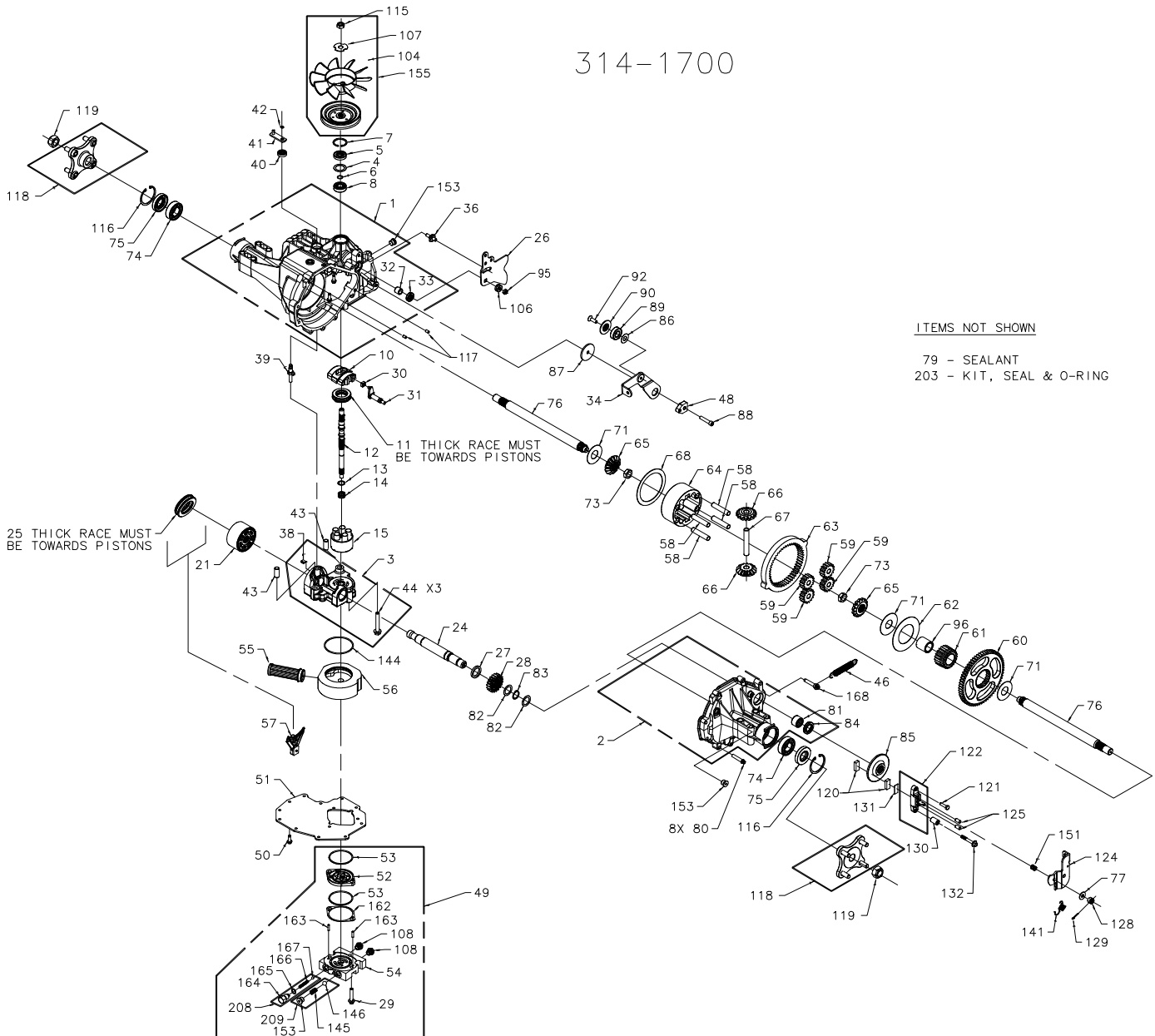
## Fuel System

REF.	PART NO.	DESCRIPTION	QTY.
1	47.0148	.CAP, GAS 2-1/4" HOODED VENT (Serial # 1153-1901)	1
1	47.0310	.CAP, 2-1/4" UNVENTED GAS (Serial # 1902-)	1
2	47.0266	.TANK, FUEL 6 GAL LE31/3200 (Serial # 1153-1901)	1
2	47.0303	.TANK, FUEL STEEL LE3100 (Serial # 1902-)	1
3	29.BF04MP0290-1	.FITTING B. 1/4 BRB 1/8 NPT 90 (Serial # 1153-1901)	1
3	29.BF04MP0245-1	.FITTING, 1/4 BARB X 1/8 MP 45 (Serial # 1902-)	1
4	99.SF0504	.BOLT, SF 5/16-18USS X 1/2	4
5	11.0049	.CLAMP, HOSE-BAND 1/2 OD HOSE	5
6	27.F04-1-20IN	.HOSE, FUEL LINE 1/4" LOW PERM X 20"	1
7	13.691035	.FILTER, FUEL	1
8	27.F04-1-6IN	.HOSE, FUEL LINE 1/4" LOW PERM X 6"	1
9	29.P02-1	.PIPE, PLUG 1/8 HEX SOCKET ZP (Serial # 1153-1901)	1
10	27.F04-1-4IN	.HOSE, FUEL LINE 1/4" LOW PERM X 4"	1
11	47.0265	.VALVE, FUEL SHUT-OFF	1
12	11.0046	.CLAMP, CUSHIONED METAL 1/2"	1
13	95.05	.WASHER, FLAT 5/16 SAE (Serial # 1902-)	4
14	05.0128	.GROMMET, FOR 29.0094 (Serial # 1902-)	1
15	29.0094	.VENT, FUEL TANK BREATHER (Serial # 1902-)	1
16	27.F03-14IN	.HOSE, FUEL LINE X 3/16 X 14" (Serial # 1902-)	1
17	29.BF03BF03	.FITTING, 3/16 BARB COUPLING (Serial # 1902-)	1
18	27.F03-10IN	.HOSE, FUEL LINE X 3/16 X 10" (Serial # 1902-)	1

# AXLES, WHEELS, & DRIVES

## ILLUSTRATED DRAWING Front Axle

314-1700



ITEMS NOT SHOWN

79 - SEALANT  
203 - KIT, SEAL & O-RING

# AXLES, WHEELS, & DRIVES

## Front Axle

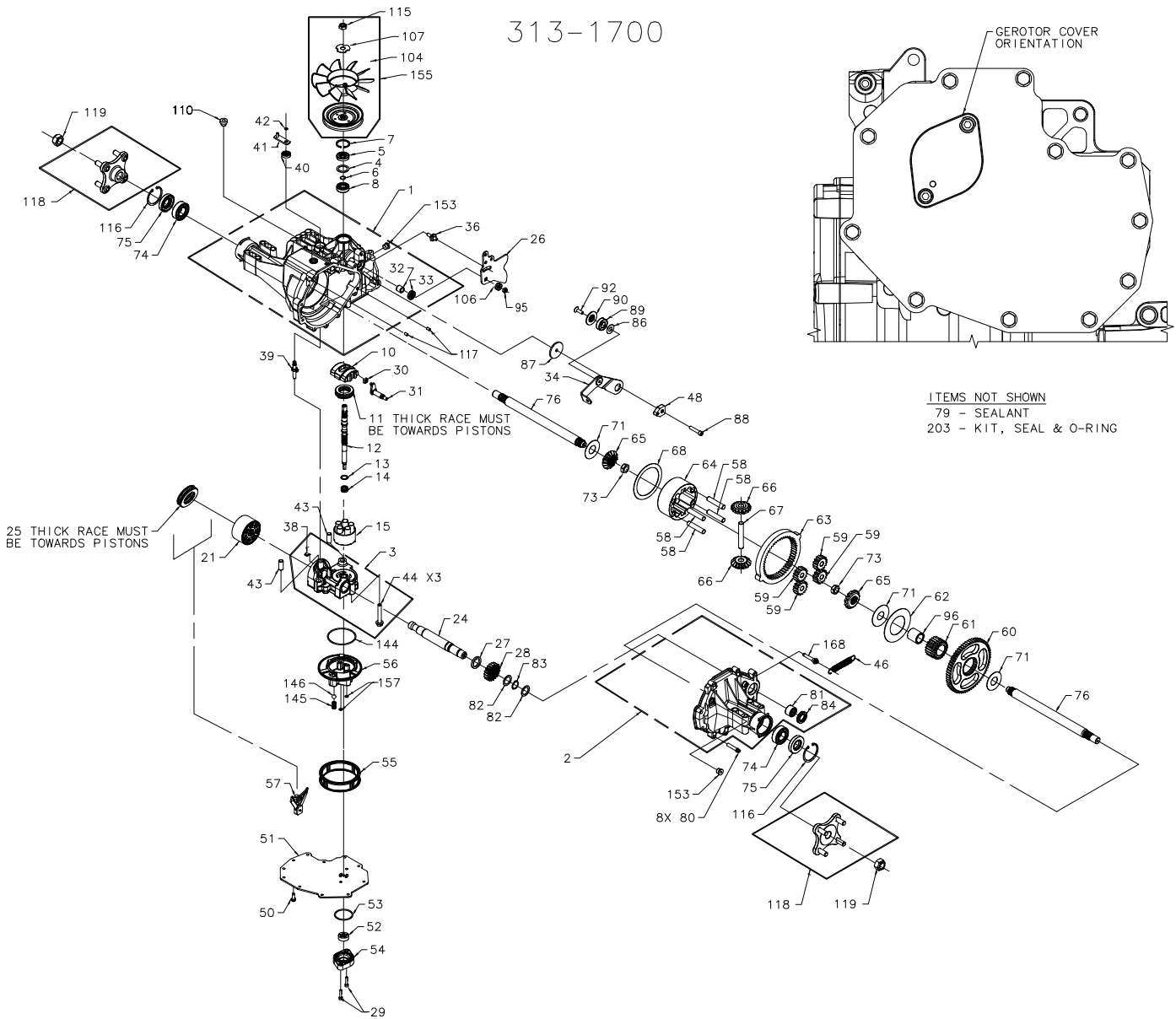
REF.	PART NO.	DESCRIPTION	QTY.
4	51.0079	.SPACER, .98 X 1.37 X .04	1
6	04.0038	.RING SET, 59 EXT WIRE	1
12	51.0077	.SHAFT, INPUT AUX	1
13	51.0078	.WASHER, THRUST .59 X .79 X .04	1
38	51.0035	.PLATE, BYPASS	1
41	51.0036	.ARM, BYPASS	1
44	51.0037	.SCREW, 3/8-24 X 2.5	3
49	51.0054	.KIT, MANIFOLD AUXILIARY	1
51	51.0080	.PLATE, AUX COVER	1
53	26.0022	.O-RING, .103 X 2.425	2
55	51.0057	.FILTER, FRONT TRANSAXLE LT3000	1
56	51.0083	.MANIFOLD, CHARGE	1
74	55.0056	.BEARING, 1" X 52MM X 15MM	2
75	89.0068	.SEAL, LIP 25MM X 52MM X 10MM	2
76	51.0039	.SHAFT, AXLE	2
79	51.0040	.SEALANT	1
80	51.0041	.SCREW, TORX HEAD 5/16-18	8
84	89.0070	.SEAL, LIP .875 X 1.38 X .25	1
85	53.0147	.DISC, BRAKE	1
104	51.0043	.FAN (Serial # 1001-1924)	1
104	51.0066	.FAN, LH TRANSAXLES (Serial # 1925-)	1
118	51.0046	.HUB ASSEMBLY	2
119	99.A12NF	.LOCKNUT, STOVER 3/4-16 SAE	2
120	53.0145	.PAD, BRAKE DISC	2
131	53.0146	.PLATE, BRAKE DISC PAD	1
153	51.0068	.PLUG, 9/16-18 METAL	3
155	51.0048	.KIT, FAN/PULLEY ASSEMBLY (Serial # 1001-1924)	1
155	51.0067	.KIT, FAN/PULLEY (Serial # 1925-)	1
162	51.0052	.SHIM	1
166	51.0081	.SPRING, RELIEF HYDROGEAR	1
203	51.0049	.KIT, SEAL	1
210	51.0061	.TRANSAXLE, FRONT HIGH SPEED	1

Listed items are stocked. Check availability of unlisted parts.

# AXLES, WHEELS, & DRIVES

## ILLUSTRATED DRAWING Rear Axle

313-1700



# AXLES, WHEELS, & DRIVES

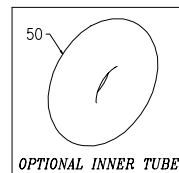
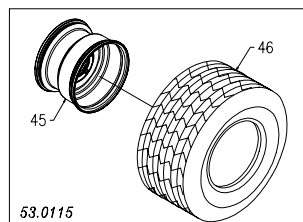
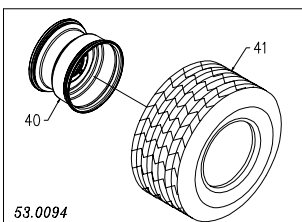
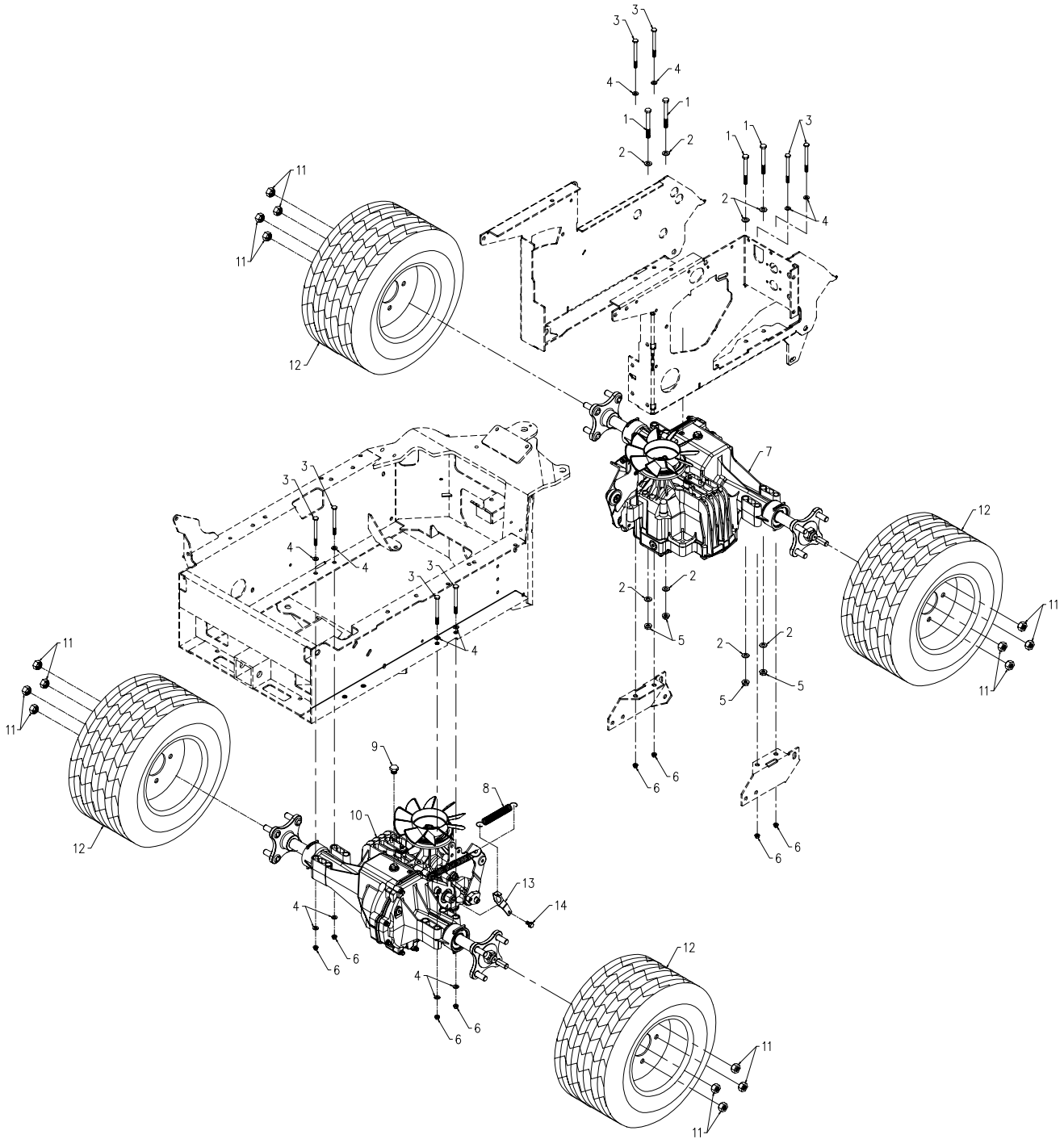
## Rear Axle

REF.	PART NO.	DESCRIPTION	QTY.
4	51.0079	.SPACER, .98 X 1.37 X .04	1
6	04.0038	.RING SET, 59 EXT WIRE	1
12	51.0076	.SHAFT, INPUT	1
13	51.0078	.WASHER, THRUST .59 X .79 X .04	1
24	51.0034	.SHAFT, MOTOR	1
38	51.0035	.PLATE, BYPASS	1
41	51.0036	.ARM, BYPASS	1
44	51.0037	.SCREW, 3/8-24 X 2.5	3
55	51.0038	.FILTER, REAR TRANSAXLE LT3000	1
74	55.0056	.BEARING, 1" X 52MM X 15MM	2
75	89.0068	.SEAL, LIP 25MM X 52MM X 10MM	2
76	51.0039	.SHAFT, AXLE	2
79	51.0040	.SEALANT	1
80	51.0041	.SCREW, TORX HEAD 5/16-18	8
84	89.0070	.SEAL, LIP .875 X 1.38 X .25	1
104	51.0043	.FAN (Serial # 1001-1924)	1
104	51.0066	.FAN, LH TRANSAXLES (Serial # 1925-)	1
110	25.6408-06-SP	.FITTING, O-RING PLUG 3/8 DRILL	1
118	51.0046	.HUB ASSEMBLY	2
119	99.A12NF	.LOCKNUT, STOVER 3/4-16 SAE	2
153	51.0068	.PLUG, 9/16-18 METAL	2
155	51.0048	.KIT, FAN/PULLEY ASSEMBLY (Serial # 1001-1924)	1
155	51.0067	.KIT, FAN/PULLEY(Serial # 1925-)	1
203	51.0049	.KIT, SEAL	1
210	51.0060	.TRANSAXLE, REAR HIGH SPEED	1

Listed items are stocked. Check availability of unlisted parts.

# AXLES, WHEELS, & DRIVES

## ILLUSTRATED DRAWING Axle Mount & Tires





# AXLES, WHEELS, & DRIVES

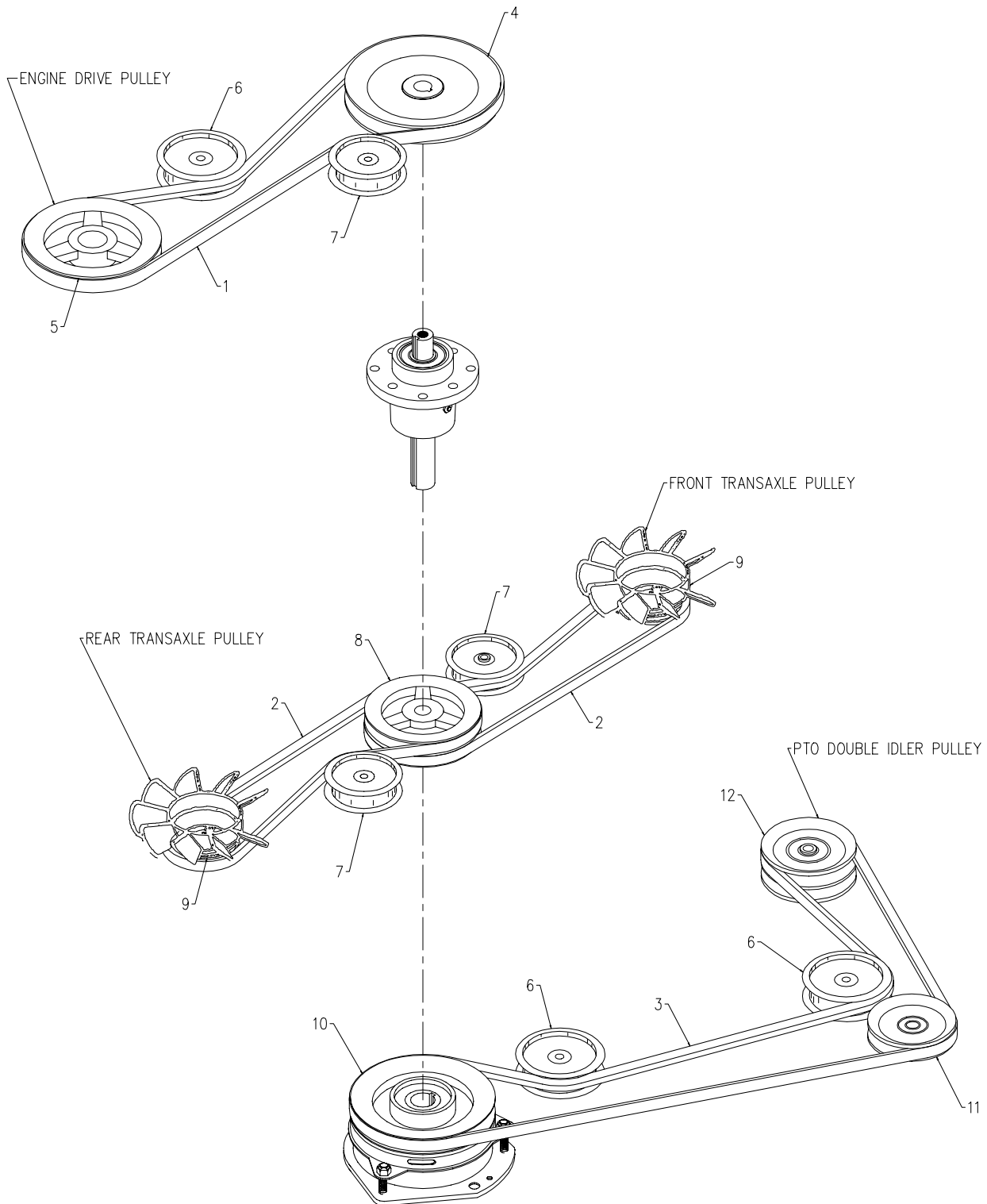
## Axle Mount & Tires

REF.	PART NO.	DESCRIPTION	QTY.
1	90.0524	.BOLT, 5/16-18 USS X 3	4
2	95.05	.WASHER, FLAT 5/16 SAE	8
3	90.0424	.BOLT, 1/4-20 USS X 3	8
4	95.04	.WASHER, FLAT 1/4 SAE	12
5	99.SF05	.NUT, SF 5/16-18 USS	4
6	99.SF04	.NUT, SF 1/4-20 USS	8
7	51.0061	.TRANSAXLE, FRONT 3000	1
8	41.0064	.SPRING, EXT 3/4 X 3-1/2 OA LG	1
9	25.6408-06-SP	.FITTING, O-RING PLUG 3/8 DRILL	1
10	51.0060	.TRANSAXLE, REAR 3000	1
11	99.E0001	.NUT, LUG 1/2-20 SAE	16
12	53.0094*	.WHEEL, ASM 18 X 10.50 X 10 4B	4
12	53.0115	.WHEEL, ASM 18X11X10 KNOB RH/LH	4
13	64.1434	.BRACKET, SPRING RETAINER	1
14	99.SF0404	.BOLT, SF 1/4-20 X 1/2	1
40	53.0106	.RIM, 10 X 8.5 4-BOLT LT	1
41	53.0117	.TIRE, LT STD 18X10.5X10 NO RIM	1
45	53.0106	.RIM, 10 X 8.5 4-BOLT LT	1
46	53.0116	.TIRE, KNOB 18X11X10 RH/LH	1
50	53.0143	.TUBE, INNER 18 X 11 X 10	4

\*53.0094 is the standard wheel assembly.

# AXLES, WHEELS, & DRIVES

## ILLUSTRATED DRAWING Belt & Pulley Diagram



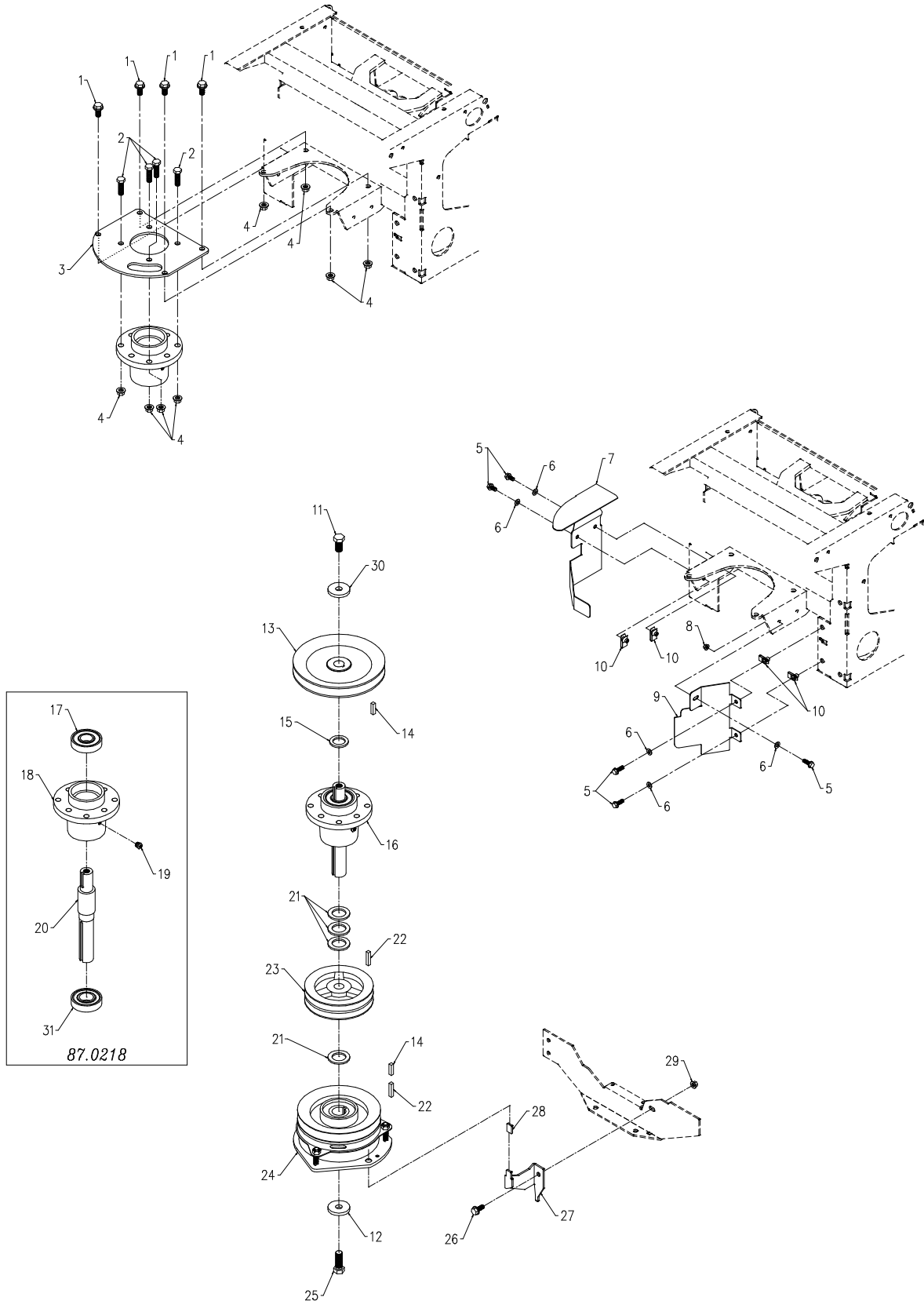
# AXLES, WHEELS, & DRIVES

## Belt & Pulley Diagram

REF.	PART NO.	DESCRIPTION	QTY.
1	81.B065	.BELT, B65	1
2	81.A041	.BELT, A41	2
3	81.B089	.BELT, B89	1
4	83.0052	.PULLEY, 7-13/16 25 MM STR BORE	1
5	83.BK70H	.PULLEY, 7" H-BUSH	1
6	83.0037	.PULLEY, IDLER FLAT 4" X 3/8	3
7	83.0013	.PULLEY, IDLER FLAT 3/8 X 3 1/2	2
8	83.2AK5618	.PULLEY, 2AK 5.45" 1-1/8 BORE	1
9	51.0048	.KIT, FAN/PULLEY ASSEMBLY	2
10	37.0048	.CLUTCH/BRAKE, ELECTRIC OGURA	1
11	83.0038	.PULLEY, V-IDLER 4-1/4 X 3/8 ID	1
12	83.0039	.PULLEY, IDLER 2 GROOVE ASM	1

# AXLES, WHEELS, & DRIVES

## ILLUSTRATED DRAWING Center Shaft Assembly



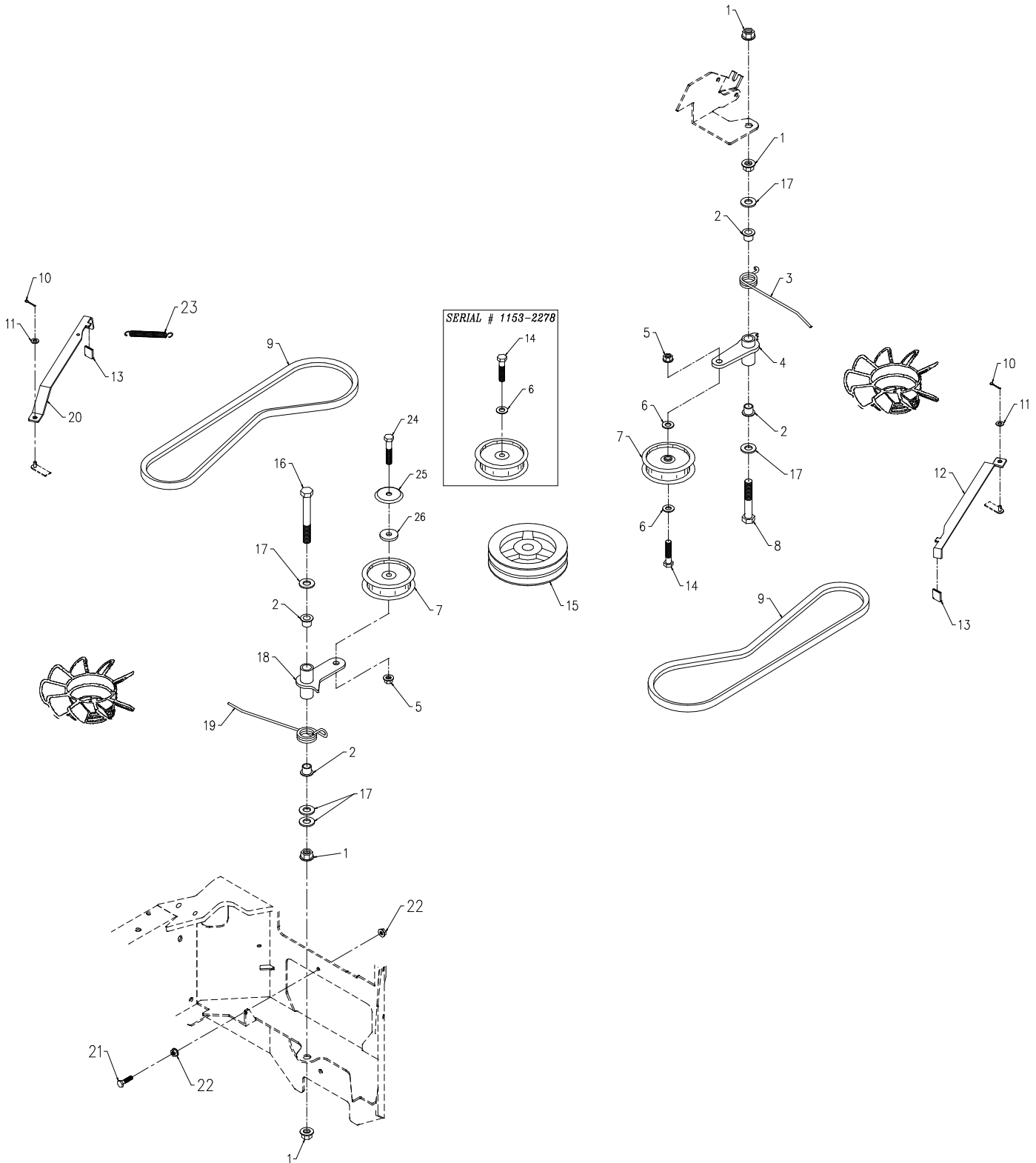
# AXLES, WHEELS, & DRIVES

## Center Shaft Assembly

REF.	PART NO.	DESCRIPTION	QTY.
1	99.SF0606	.BOLT, SF 3/8-16 USS X 3/4	4
2	90.0610	.BOLT, 3/8-16 USS X 1 1/4	4
3	64.1263	.PLATE, CENTER HUB MOUNTING	1
4	99.SF06	.NUT, SF 3/8-16 USS	8
5	99.SF0406	.BOLT, SF 1/4-20 X 3/4	5
6	95.04	.WASHER, FLAT 1/4 SAE	5
7	60.0988	.SHIELD, VERTICAL SHAFT LEFT	1
8	99.SF04	.NUT, SF 1/4-20 USS	1
9	60.0989	.SHIELD, VERTICAL SHAFT RIGHT	1
10	99.E0046	.NUT, "U" 1/4-20 EXTRUDED	4
11	91.0808	.BOLT, 1/2-20 SAE X 1	1
12	99.B0064	.WASHER, 1/4 X 1.75 X .531 HOLE	1
13	83.0052	.PULLEY, 7-13/16 25 MM STR BORE	1
14	85.K0408	.KEY, 1/4 X 1	2
15	99.B0013	.WASHER, MACH 1" ID 14 GA	1
16	87.0218	.SPINDLE, ASM LE CENTER SHAFT	1
17	55.0057	.BEARING, BALL 25 MM X 62 MM	1
18	87.0209-1	.SPINDLE, HOUSING	1
19	29.GF0017	.RELIEF FITTING	1
20	87.0218-2	.SHAFT, LE CENTER SPINDLE	1
21	99.B0059	.WASHER, MACH 1 1/8 X 10 GA	4
22	85.K0410	.KEY, 1/4 X 1 1/4	2
23	83.2AK5618	.PULLEY, 2AK 5.45" 1-1/8 BORE	1
24	37.0048	.CLUTCH/BRAKE, ELECTRIC OGURA	1
25	91.0812	.BOLT, 1/2-20 SAE X 1 1/2	1
26	99.SF0506	.BOLT, SF 5/16-18 USS X 3/4	1
27	64.1265	.TORQUE ARM, CLUTCH	1
28	06.0044	.CAP, PLASTIC 1/8 X 1/2 X 7/8	1
29	99.SF05	.NUT, SF 5/16-18 USS	1
30	99.B0095	.WASHER, .531 IDX1.75 OD 3/16TK	1
31	55.0070	.BEARING, 30MM X 62MM X 16MM	1

# AXLES, WHEELS, & DRIVES

## ILLUSTRATED DRAWING Axle Drive



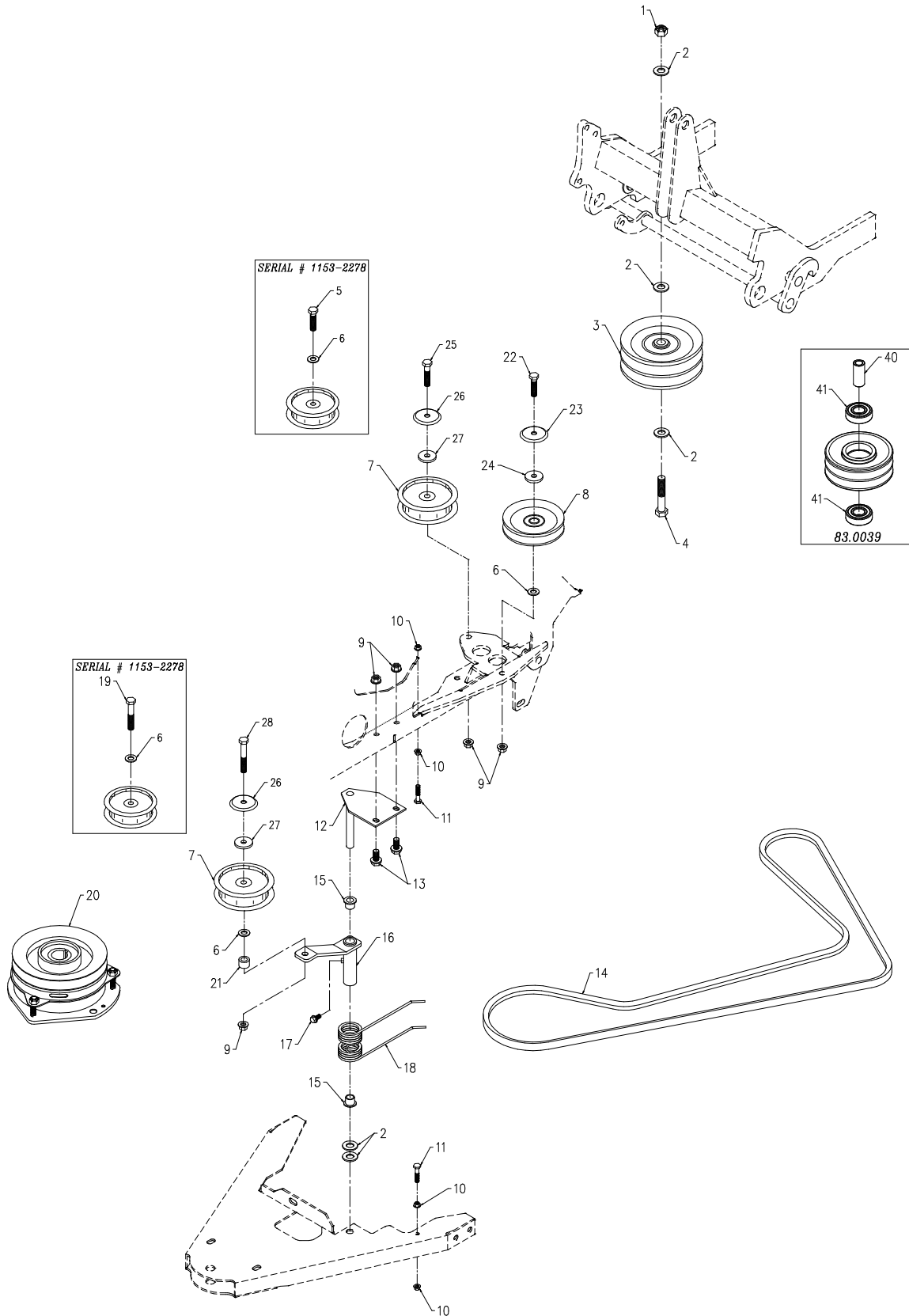
# AXLES, WHEELS, & DRIVES

## Axle Drive

REF.	PART NO.	DESCRIPTION	QTY.
1	99.SF08	.NUT, SF 1/2-13 USS	4
2	85.B0027	.BUSHING, 1/2 ID X 5/8 OD X 5/8	4
3	41.0083	.SPRING, TORSION RH 1-3/16 IDX7	1
4	40.0356	.IDLER ARM, DRIVE BLT FRNT AXLE	1
5	99.SF06	.NUT, SF 3/8-16 USS	2
6	95.06	.WASHER, FLAT 3/8 SAE	3
7	83.0013	.PULLEY, IDLER FLAT 3/8 X 3 1/2	2
8	90.0824	.BOLT, 1/2-13 USS X 3	1
9	81.A041	.BELT, A41	2
10	02.CP0306	.COTTER PIN, 3/32 X 3/4	2
11	95.04	.WASHER, FLAT 1/4 SAE	2
12	42.0510	.LINKAGE, FRONT AXLE NEUTRAL	1
13	06.0044	.CAP, PLASTIC 1/8 X 1/2 X 7/8	2
14	90.0614	.BOLT, 3/8-16 USS X 1 3/4	2
15	83.2AK5618	.PULLEY, 2AK 5.45" 1-1/8 BORE	1
16	90.0832	.BOLT, 1/2-13 USS X 4	1
17	95.08	.WASHER, FLAT 1/2 SAE	5
18	40.0345	.IDLER ARM, DRIVE BELT REAR AXL	1
19	41.0084	.SPRING, TORSION LH 1-3/16 IDX7	1
20	42.0511	.LINKAGE, REAR AXLE NEUTRAL	1
21	90.0408	.BOLT, 1/4-20 USS X 1	1
22	99.SF04	.NUT, SF 1/4-20 USS	2
23	41.0086	.SPRING, EXT 3/8" OD X 4" LONG	1
24	90.0616	.BOLT, 3/8-16 USS X 2 (Serial # 2279-)	1
25	60.1056	.COVER, PULLEY (Serial # 2279-)	1
26	99.G0014	.WASHER, 3/8 USS FW .165 THK (Serial # 2279-)	1

# AXLES, WHEELS, & DRIVES

## ILLUSTRATED DRAWING PTO Drive





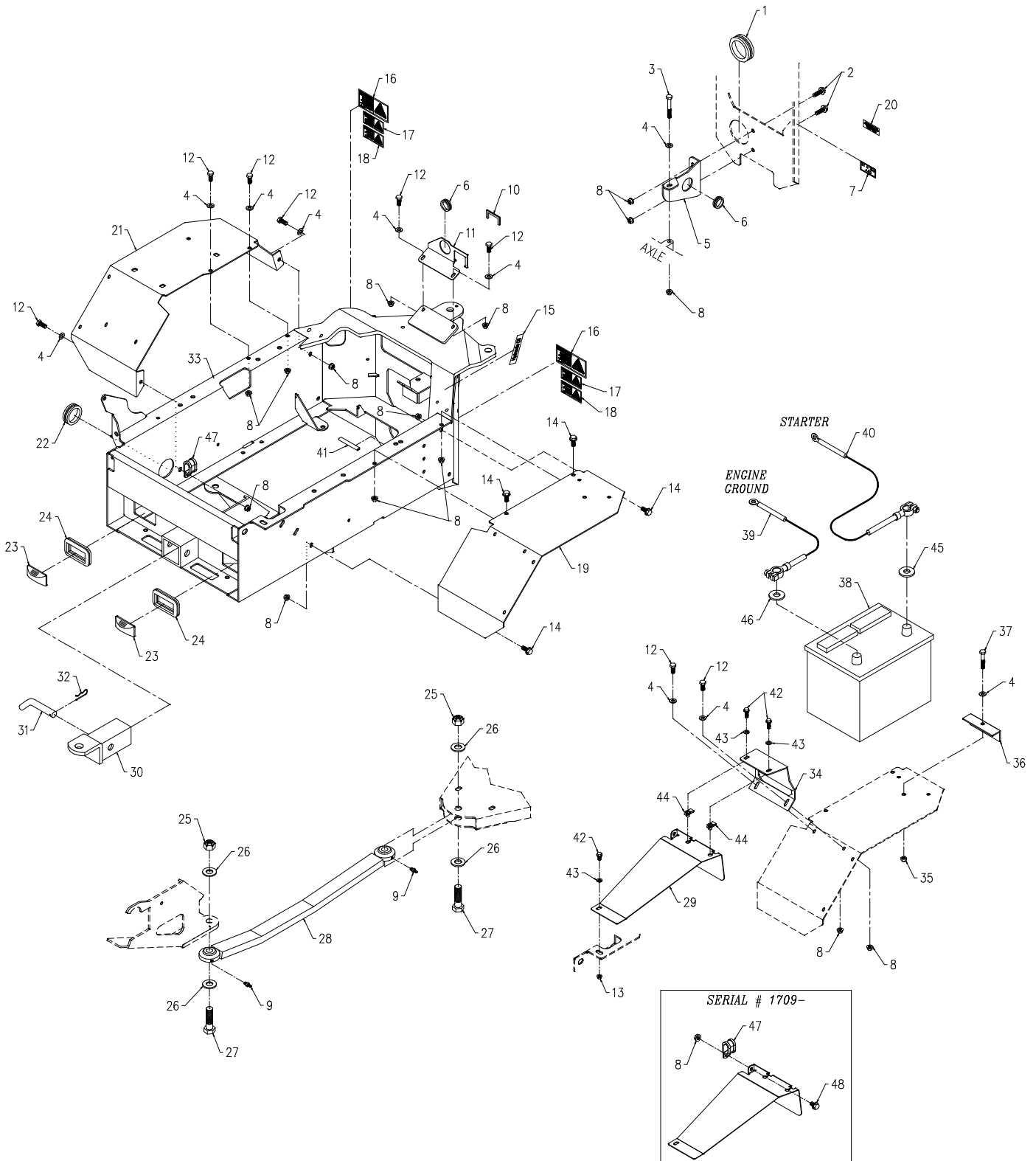
# AXLES, WHEELS, & DRIVES

## PTO Drive

REF.	PART NO.	DESCRIPTION	QTY.
1	99.A08	.LOCKNUT, STOVER 1/2-13 USS	1
2	95.08	.WASHER, FLAT 1/2 SAE	5
3	83.0039	.PULLEY, IDLER 2 GROOVE ASM.	1
4	90.0822	.BOLT, 1/2-13 USS X 2 3/4	1
5	90.0612	.BOLT, 3/8-16 USS X 1 1/2 (Serial # 1153-2278)	1
6	95.06	.WASHER, FLAT 3/8 SAE	4
7	83.0037	.PULLEY, IDLER FLAT 4" X 3/8	2
8	83.0038	.PULLEY, V-IDLER 4-1/4 X 3/8 ID	1
9	99.SF06	.NUT, SF 3/8-16 USS	5
10	99.SF04	.NUT, SF 1/4-20 USS	4
11	90.0410	.BOLT, 1/4-20 USS X 1 1/4	2
12	64.0820	.ANCHOR, PLATE-PTO IDLER	1
13	99.SF0606	.BOLT, SF 3/8-16 USS X 3/4	2
14	81.B089	.BELT, B89	1
15	85.B0027	.BUSHING, 1/2 ID X 5/8 OD X 5/8	2
16	40.0274	.IDLER ARM, PTO	1
17	99.SF0404	.BOLT, SF 1/4-20 X 1/2	1
18	41.0065	.SPRING, DOUBLE TORSION BLACK	1
19	90.0618	.BOLT, 3/8-16 USS X 2 1/4 (Serial # 1153-2278)	1
20	37.0048	.CLUTCH/BRAKE, ELECTRIC OGURA	1
21	64.0892	.SPACER, IDLER PULLEY	1
22	90.0614	.BOLT, 3/8-16 USS X 1-3/4	1
23	60.1056	.COVER, PULLEY	1
24	99.G0014	.WASHER, 3/8 USS FW .165 THK	1
25	90.0614	.BOLT, 3/8-16 USS X 1 3/4 (Serial # 2279-)	1
26	60.1056	.COVER, PULLEY (Serial # 2279-)	2
27	99.G0014	.WASHER, 3/8 USS FW .165 THK (Serial # 2279-)	2
28	90.0620	.BOLT, 3/8-16 USS X 2 1/2 (Serial # 2279-)	1
40	85.B0074	.BUSHING, DRIVE PULLEY	1
41	55.0042	.BEARING, BALL 20 MM X 47 MM	2

# FRAMES, DASH, & HOOD

## ILLUSTRATED DRAWING Rear Frame



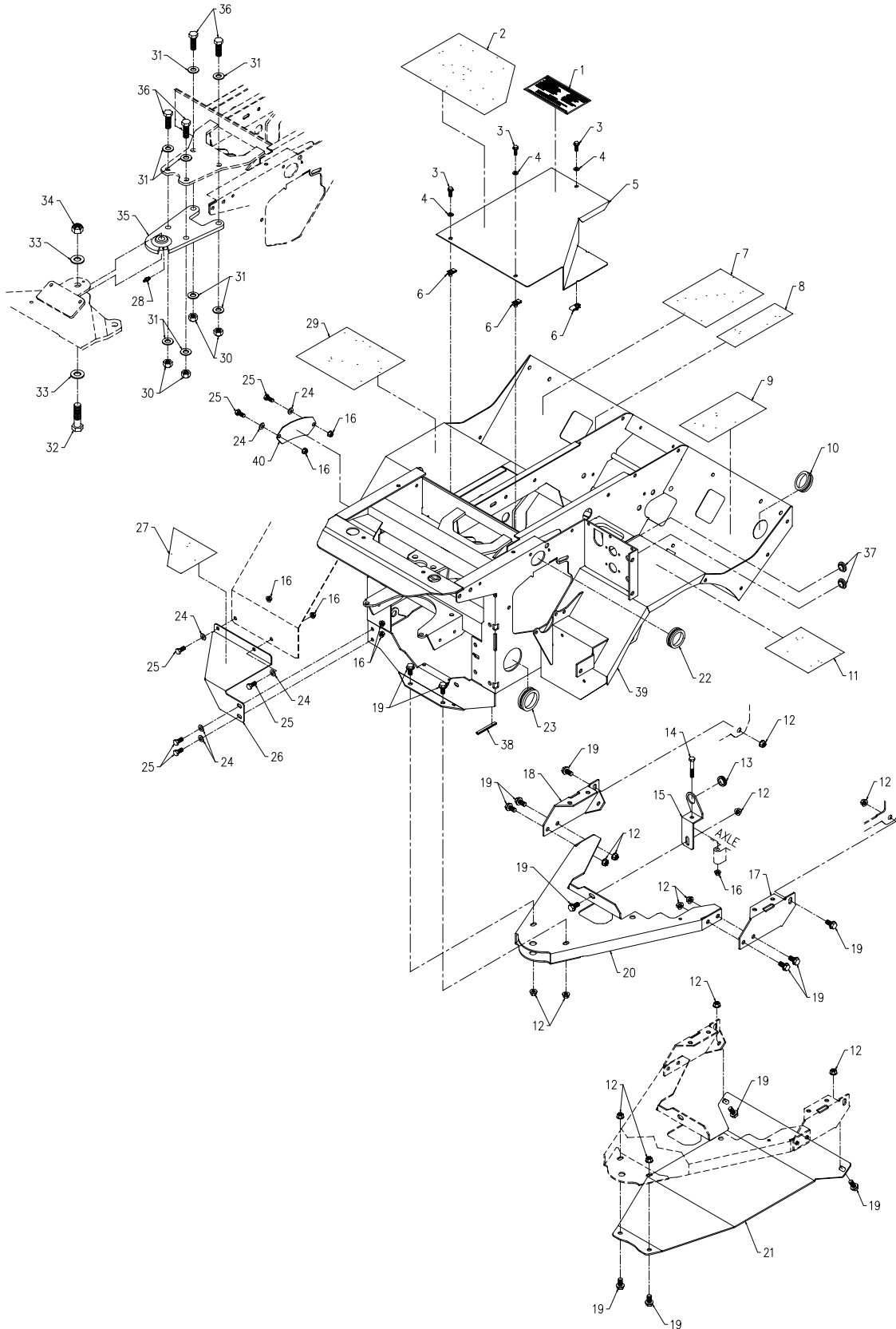
# FRAMES, DASH, & HOOD

## Rear Frame

REF.	PART NO.	DESCRIPTION	QTY.
1	05.0056	.GROMMET, 2-1/8ID,2-7/8OD,7/16T	1
2	99.SF0508	.BOLT, SF 5/16-18 USS X 1	2
3	90.0518	.BOLT, 5/16-18 USS X 2 1/4	1
4	95.05	.WASHER, FLAT 5/16 SAE	10
5	62.1273	.MOUNT, TRANSAXLE REAR	1
6	05.0035	.GROMMET, 1 ID,1 3/4 OD,7/16THK	1
7	00.0100	.DECAL, MADE IN USA	1
8	99.SF05	.NUT, SF 5/16-18 USS	13
9	29.GF0001	.GREASE FTG, 1/4 SAE ST	1
10	06.0057-3IN	.TRIM, EDGE GUARD 5/16" BLACK X 3"	1
11	60.1016	.COVER, CENTER PIVOT	1
12	90.0506	.BOLT, 5/16-18 USS X 3/4	8
13	99.SF04	.NUT, SF 1/4-20 USS	1
14	99.SF0506	.BOLT, SF 5/16-18 USS X 3/4	4
15	00.0148	.DECAL, HYD. OIL 3-7/16 X 3/4	1
16	00.0220	.DECAL, GENERAL SAFETY	2
17	00.0216	.DECAL, WARNING MOVING PARTS	2
18	00.0218	.DECAL, WARNING PINCH POINT	2
19	60.0976	.FENDER, REAR RIGHT	1
20	00.0200	.DECAL, US PATENT	1
21	60.0975	.FENDER, REAR LEFT	1
22	05.0040	.GROMMET,1 1/2ID,2-3/8OD,3/32T	1
23	33.0045	.LIGHT, SEALED MARKER RED	2
24	05.0104	.GROMMET, MARKER LIGHT	2
25	99.A10	.LOCKNUT, STOVER 5/8-11 USS	2
26	95.10	.WASHER, FLAT 5/8 SAE	4
27	90.1018	.BOLT, 5/8-11 USS X 2 1/4	2
28	42.0546	.LINK, FRONT/REAR CONNECTOR	1
29	60.1008	.SHIELD, EXHAUST (Serial # 1153-1708)	1
29	60.1090	.SHIELD, HEAT (Serial # 1709-)	1
30	62.0968	.TUBE, RECEIVER HITCH	1
31	03.0014	.PIN, HITCH 5/8" X 3" USABLE	1
32	02.HP0524	.HAIRPIN, 5/32 X 3"	1
33	62.1266	.FRAME, REAR	1
34	64.1293	.CLAMP, BATTERY	1
35	99.A05	.LOCKNUT, STOVER 5/16-18 USS	1
36	64.1292	.CLAMP, BATTERY	1
37	90.0514	.BOLT, 5/16-18 USS X 1 3/4	1
38	33.0030	.BATTERY, HARRIS	1
39	32.0065	.CABLE, ASM NEG BATTERY 19" 4GA	1
40	32.0081	.CABLE, ASM POS BATTERY 43"	1
41	06.0050-4IN	.TRIM, TRIM LOC 1/2 X 3/16 X 4"	1
42	99.SF0406	.BOLT, SF 1/4-20 X 3/4	3
43	95.04	.WASHER, FLAT 1/4 SAE	3
44	99.E0046	.NUT, "U" 1/4-20 EXTRUDED	2
45	05.0121	.WASHER, ANTI CORROSION RED	1
46	05.0122	.WASHER, ANTI CORROSION BLACK	1
47	11.0046	.CLAMP, CUSHIONED METAL 1/2"	2
48	99.SF0504	.BOLT, SF 5/16-18 USS X 1/2 (Serial # 1709-)	1

# FRAMES, DASH, & HOOD

## ILLUSTRATED DRAWING Front Frame



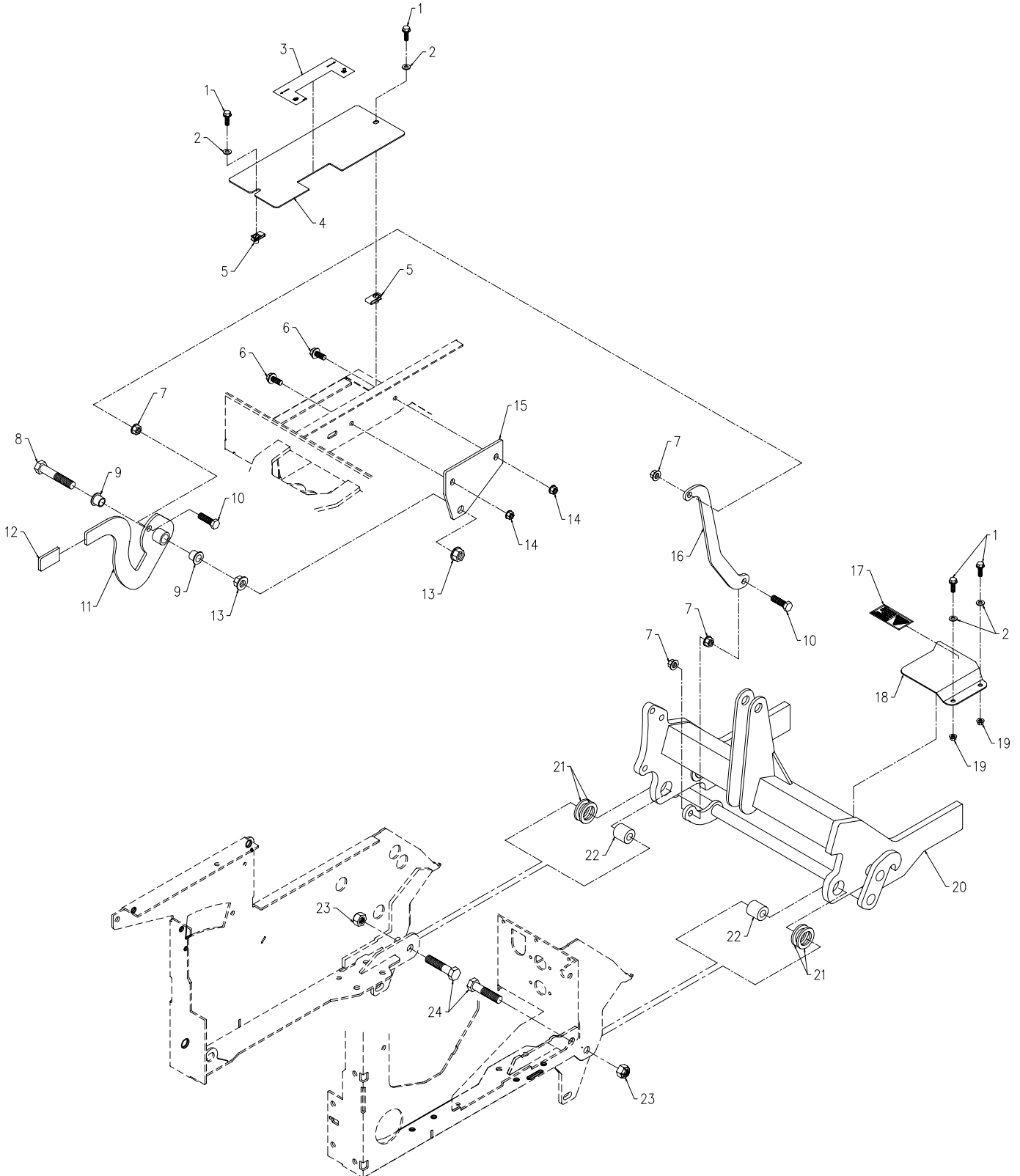
# FRAMES, DASH, & HOOD

## Front Frame

REF.	PART NO.	DESCRIPTION	QTY.
1	00.0243	.DECAL, WARNING OPERATOR SAFETY	1
2	44.0238	.FLEX TREAD, TUNNEL ACCESS COVR.	1
3	99.SF0406	.BOLT, SF 1/4-20 X 3/4	3
4	99.SF04	.NUT, SF 1/4-20 USS	3
5	60.0968	.COVER, TUNNEL ACCESS	1
6	99.E0046	.NUT, "U" 1/4-20 EXTRUDED	3
7	44.0236	.FLEX TREAD, LEFT FOOT PLATE	1
8	44.0235	.FLEX TREAD, LEFT FOOT PLATE	1
9	44.0234	.FLEX TREAD, RIGHT FOOT PLATE	1
10	05.0071	.GROMMET,1-3/4ID,2-3/4OD,7/16T	1
11	44.0232	.FLEX TREAD, RIGHT FENDER	1
12	99.SF06	.NUT, SF 3/8-16 USS	13
13	05.0045	.GROMMET, 3/4ID,1 3/8OD,1/2THK	1
14	90.0516	.BOLT, 5/16-18 USS X 2	1
15	64.1266	.SUPPORT, FRONT AXLE TORQUE ARM	1
16	99.SF05	.NUT, SF 5/16-18 USS	7
17	64.1268	.ANCHOR, LEFT FRONT SKID PLATE	1
18	64.1267	.ANCHOR, RIGHT FRONT SKID PLATE	1
19	99.SF0606	.BOLT, SF 3/8-16 USS X 3/4	13
20	64.1258	.PLATE, BELLY BAR ANCHOR	1
21	64.1270	.PLATE, SKID	1
22	05.0036	.GROMMET, 1 1/2ID,2 1/8OD,9/16T	1
23	05.0056	.GROMMET, 2-1/8ID,2-7/8OD,7/16T	1
24	95.05	.WASHER, FLAT 5/16 SAE	6
25	90.0506	.BOLT, 5/16-18 USS X 3/4	6
26	64.1275	.BRACKET, FOOT STEP	1
27	44.0233	.FLEX TREAD, FOOT STEP	1
28	29.GF0001	.GREASE FTG, 1/4 SAE ST	1
29	44.0237	.FLEX TREAD, LEFT FENDER	1
30	99.A08	.LOCKNUT, STOVER 1/2-13 USS	4
31	95.08	.WASHER, FLAT 1/2 SAE	8
32	90.1020	.BOLT, 5/8-11 USS X 2 1/2	1
33	95.10	.WASHER, FLAT 5/8 SAE	2
34	99.A10	.LOCKNUT, STOVER 5/8-11 USS	1
35	64.1749	.PIVOT, CENTER MAIN	1
36	90.0812	.BOLT, 1/2-13 USS X 1 1/2	4
37	05.0109	.PLUG, 1" HOLE BLK PLASTIC	2
38	06.0050-4IN	.TRIM, TRIM LOC 1/2 X 3/16 X 4"	1
39	62.1258	.FRAME, FRONT	1
40	60.0985	.PLATE, WEIGHT TRANSFER COVER	1

# FRAMES, DASH, & HOOD

## ILLUSTRATED DRAWING Front Hitch



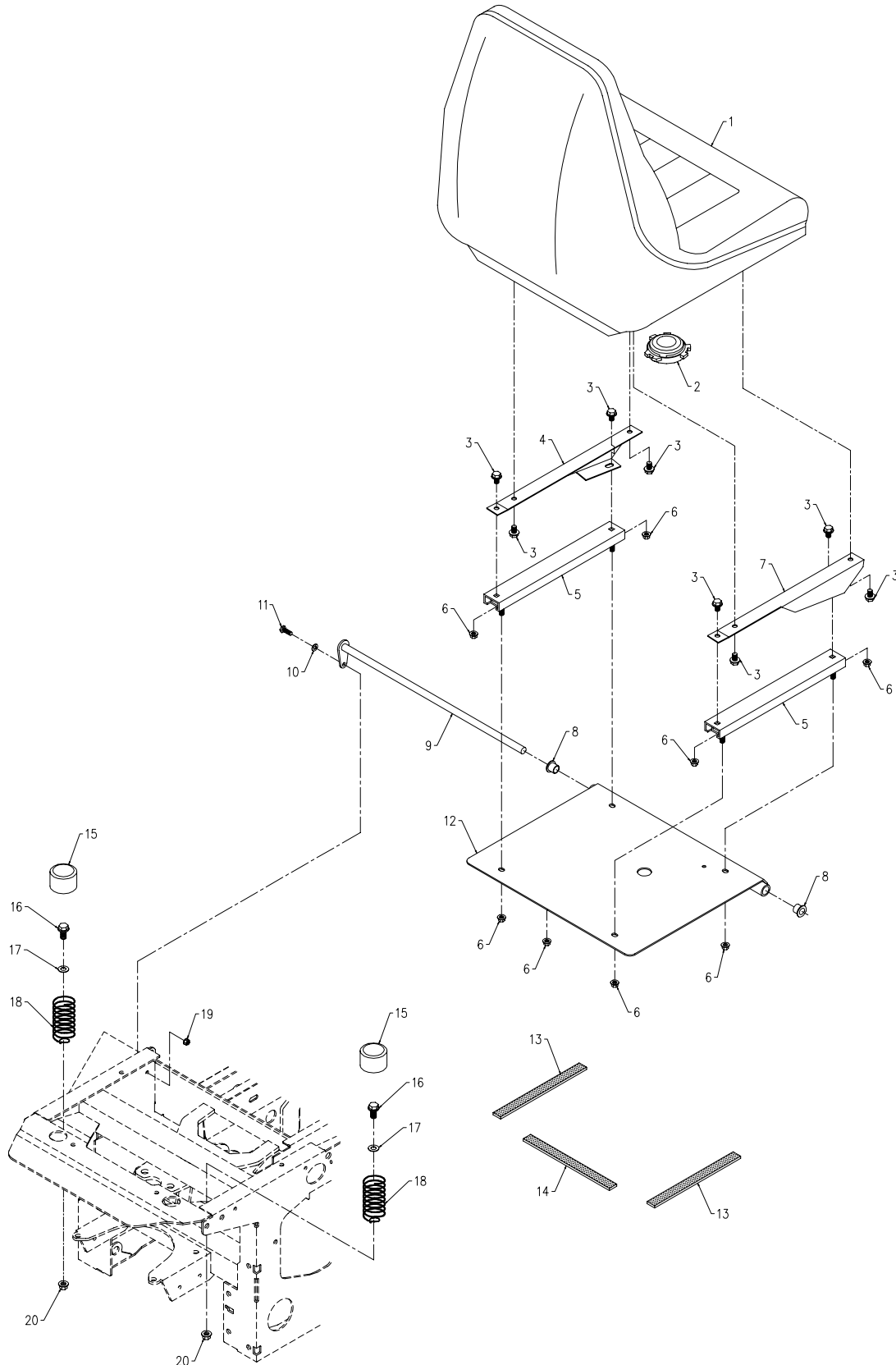
# FRAMES, DASH, & HOOD

## Front Hitch

REF.	PART NO.	DESCRIPTION	QTY.
1	99.SF0406	.BOLT, SF 1/4-20 X 3/4	4
2	95.04	.WASHER, FLAT 1/4 SAE	4
3	00.0233-5	.DECAL, HITCH RELEASE LEVER	1
4	60.0969	.COVER, WEIGHT TRANSFER ACCESS	1
5	99.E0046	.NUT, "U" 1/4-20 EXTRUDED	2
6	99.SF0506	.BOLT, SF 5/16-18 USS X 3/4	2
7	99.SF06	.NUT, SF 3/8-16 USS	4
8	90.0822	.BOLT, 1/2-13 USS X 2 3/4	1
9	85.B0027	.BUSHING, 1/2 ID X 5/8 OD X 5/8	2
10	90.0610	.BOLT, 3/8-16 USS X 1 1/4	2
11	40.0340	.LEVER, FRONT LATCH	1
12	06.0051	.CAP, 3/16 X 15/16 X 1-3/4 FE	1
13	99.SF08	.NUT, SF 1/2-13 USS	2
14	99.SF05	.NUT, SF 5/16-18 USS	2
15	64.1300	.MOUNT, HANDLE RELEASE LEVER	1
16	42.0512	.LINK, FRONT LATCH	1
17	00.0216	.DECAL, WARNING MOVING PARTS	1
18	60.0973	.SHIELD, BELT	1
19	99.SF04	.NUT, SF 1/4-20 USS	2
20	62.1259	.HITCH, FRONT	1
21	99.B0093	.WASHER, 1" ID X 1-1/2" OD 10GA	4
22	64.0807	.BUSHING, .516 X 1.000 X 1.000	2
23	99.A08	.LOCKNUT, STOVER 1/2-13 USS	2
24	90.0818	.BOLT, 1/2-13 USS X 2 1/4	2

# FRAMES, DASH, & HOOD

## ILLUSTRATED DRAWING Highback Seat





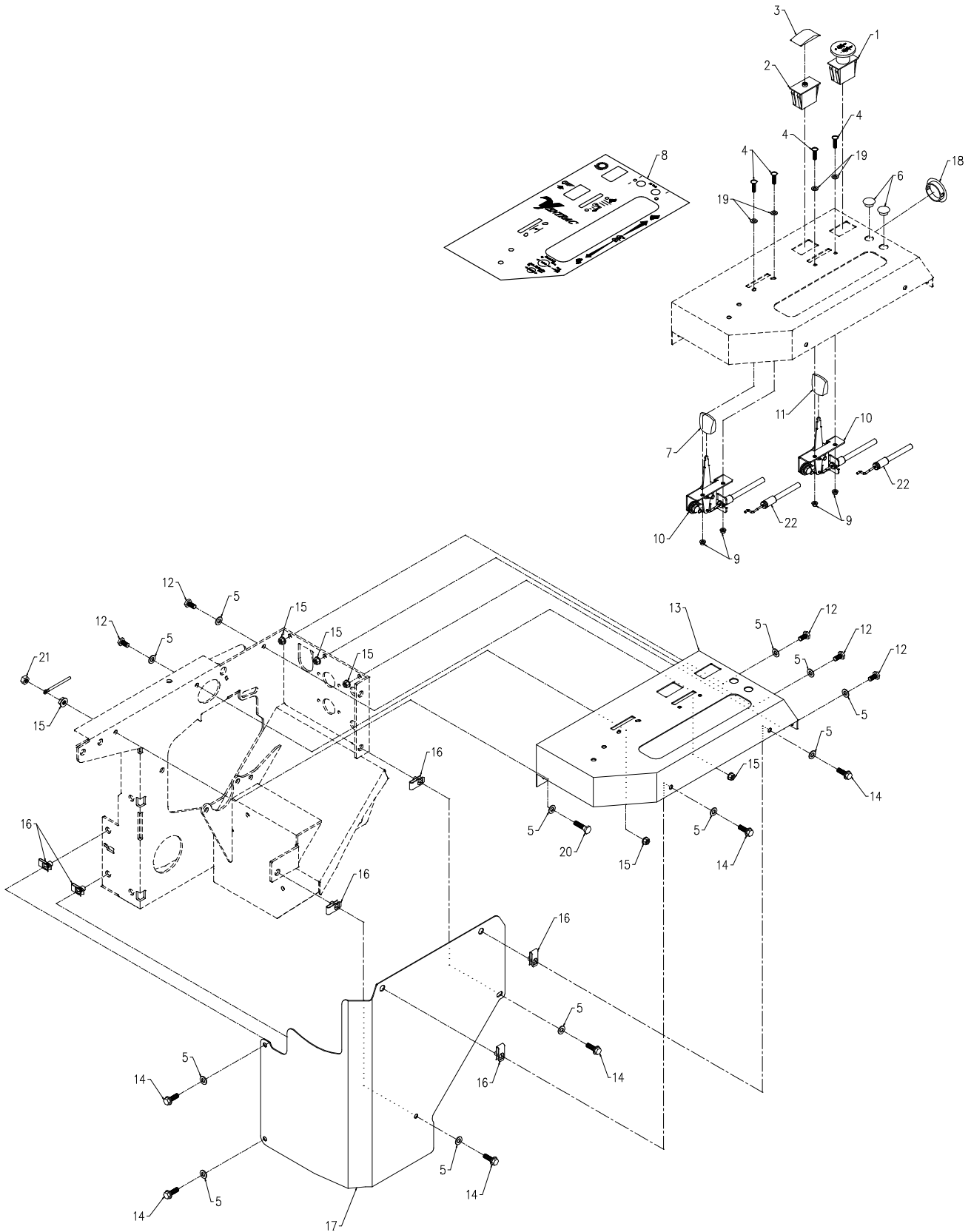
# FRAMES, DASH, & HOOD

## Highback Seat

REF.	PART NO.	DESCRIPTION	QTY.
1	47.0112	.SEAT, MOLDED HIGH BACK	1
	47.0113	.ARMREST, KIT - STANDARD SEAT	1
2	31.0033	.SWITCH, SEAT 2" ROUND GRAY	1
3	99.SF0504	.BOLT, SF 5/16-18USS X 1/2	8
4	64.0770	.RISER, SEAT-LEFT LT	1
5	47.0114	.SLIDE, KIT FOR SEAT 47.0112	1
6	99.SF05	.NUT, SF 5/16-18 USS	8
7	64.0771	.RISER, SEAT-RIGHT LT	1
8	85.B0027	.BUSHING, 1/2 ID X 5/8 OD X 5/8	2
9	64.1259	.PIN, SEAT PIVOT	1
10	90.0406	.BOLT, 1/4-20 USS X 3/4	1
11	95.04	.WASHER, FLAT 1/4 SAE	1
12	62.1264	.PLATE, SEAT	1
13	06.0045-12IN	.WEATHERSTRIP, 1/8 X 3/4 X 12"	2
14	06.0045-16.5IN	.WEATHERSTRIP, 1/8 X 3/4 X 16 1/2"	1
15	05.0053	.BOOT, SPRING 1-11/16 ID X 1	2
16	99.SF0606	.BOLT, SF 3/8-16 USS X 3/4	2
17	94.06	.WASHER, FLAT 3/8 USS	2
18	41.0057	.SPRING, COMP 1.75 OD X 4.25 LG	2
19	99.SF04	.NUT, SF 1/4-20 USS	1
20	99.SF06	.NUT, SF 3/8-16 USS	2

# FRAMES, DASH, & HOOD

## ILLUSTRATED DRAWING Dash



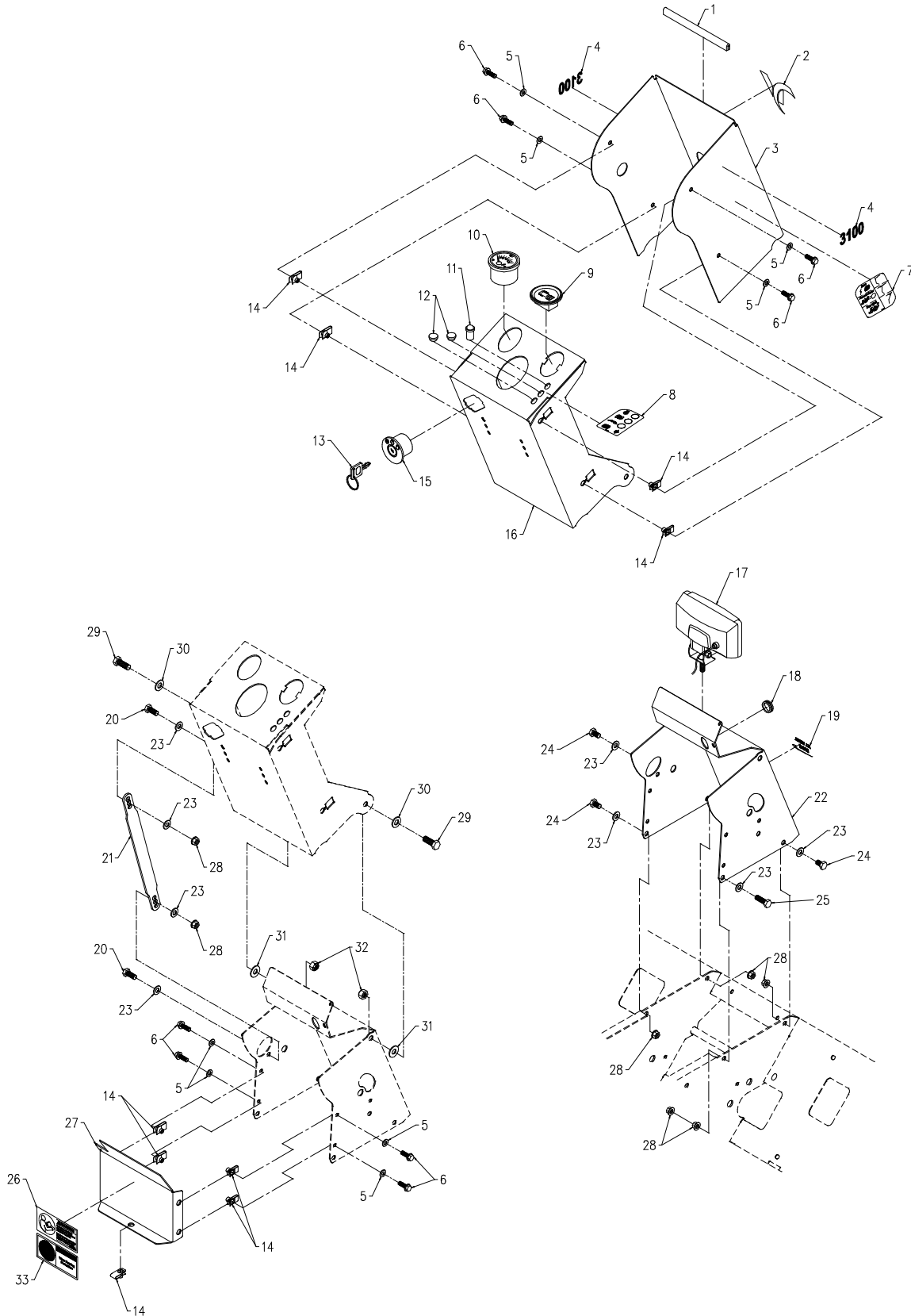
# FRAMES, DASH, & HOOD

## Dash

REF.	PART NO.	DESCRIPTION	QTY.
1	31.0043	.SWITCH, PTO - PUSH/PULL	1
2	31.0036	.SWITCH, CONTOUR ON-OFF DPST	1
3	31.0037	.ROCKER, SWITCH SOFT/BLK/NO LEN	1
4	99.K0062	.MACHINE SCREW, #10-32 X 1/2	4
5	95.04	.WASHER, FLAT 1/4 SAE	12
6	05.0070	.PLUG, 1/2" HOLE, NYLON	2
7	47.0246	.KNOB, RED	1
8	00.0232	.DECAL, MAIN CONTROL PANEL	1
9	99.E0035	.NUT, SF #10-32	4
10	47.0255	.CABLE, CHOKE/THROTTLE 74" (Serial # 1153-2230)	2
10	47.0338	.CABLE, THROTTLE/CHOKE (Serial # 2231-)	2
11	47.0245	.KNOB, BLACK	1
12	90.0404	.BOLT, 1/4-20 USS X 1/2	5
13	60.1066	.PANEL, DASH	1
14	99.SF0406	.BOLT, SF 1/4-20 X 3/4	6
15	99.SF04	.NUT, SF 1/4-20 USS	6
16	99.E0046	.NUT, "U" 1/4-20 EXTRUDED	6
17	60.0967	.COVER, HYDRAULIC ACCESS	1
18	05.0091	.PLUG, 1-1/4" HOLE, BLK PLASTIC	1
19	99.B0051	.WASHER, FLAT #10	4
20	90.0408	.BOLT, 1/4-20 USS X 1	1
21	92.04	.NUT, 1/4-20 USS	1
22	47.0339	.CABLE, PUSH/PULL W/O HANDLE (Serial # 2231-)	2

# FRAMES, DASH, & HOOD

## ILLUSTRATED DRAWING Steering Column



# FRAMES, DASH, & HOOD

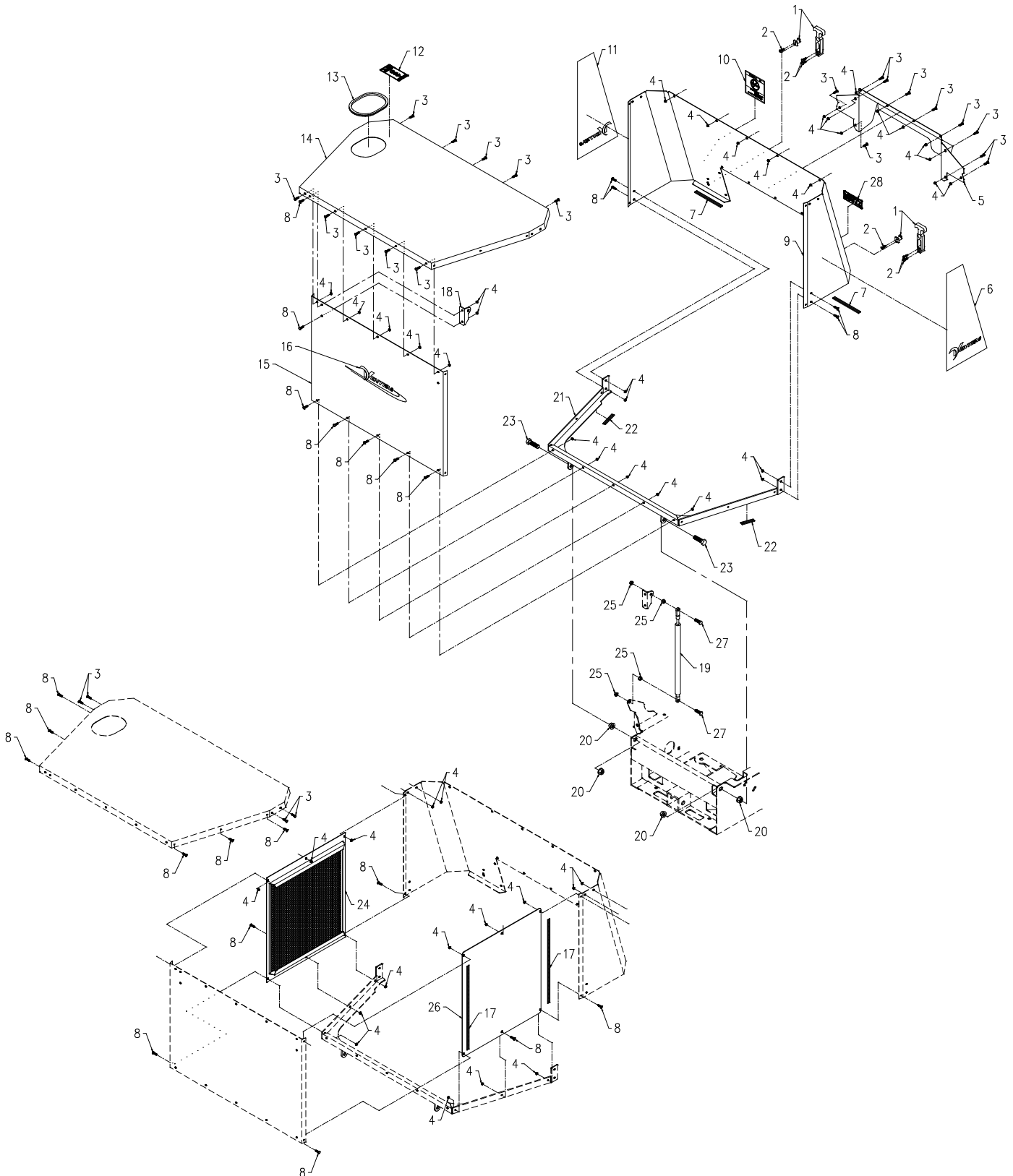
## Steering Column

REF.	PART NO.	DESCRIPTION	QTY.
1	06.0042-45.25IN	.TRIM, TRIM LOC 1/2 X 1/16 X 45 1/4"	1
2	00.0192	.DECAL, V-DECAL DIE CUT BLUE	1
3	60.0965	.COVER, STEERING COLUMN	1
4	00.0240	.DECAL, 3100 RED W/WHITE TRIM	2
5	95.04	.WASHER, FLAT 1/4 SAE	8
6	99.SF0406	.BOLT, SF 1/4-20 X 3/4	8
7	00.0233-1	.DECAL, SELECTOR LEVER	1
8	00.0233-2	.DECAL, DASH INDICATOR LIGHT	1
9	35.0111	.GAUGE, HR/TACH ROUND DIGITAL	1
	35.0113	.SENDING UNIT, TACHOMETER 99"	1
10	35.0101	.GAUGE, VOLTMETER 12 VOLT	1
11	33.0031	.LIGHT, RED	1
12	05.0070	.PLUG, 1/2" HOLE, NYLON	2
13	13.0080	.KEY, IGNITION DELTA	1
14	99.E0046	.NUT, "U" 1/4-20 EXTRUDED	9
15	13.0078	.SWITCH, IGNITION DELTA	1
16	62.1275	.COLUMN, 3100 STEERING TILT	1
17	33.0043	.LIGHT, HEAD 12V 55W HALOGEN	1
	33.0037	.BULB, LIGHT(ONLY) FOR 55 WATT	1
18	05.0045	.GROMMET, 3/4ID, 1 3/8OD, 1/2THK	1
19	00.0190	.DECAL, ALL WHEEL DRIVE-ORBITAL	1
20	90.0506	.BOLT, 5/16-18 USS X 3/4	2
21	42.0509	.LINKAGE, TILT	1
22	62.1263	.COLUMN, STEERING BASE	1
23	95.05	.WASHER, FLAT 5/16 SAE	8
24	90.0504	.BOLT, 5/16-18 USS X 1/2	3
25	90.0508	.BOLT, 5/16-18 USS X 1	1
26	00.0217	.DECAL, WARNING READ OWNERS MAN	1
27	60.0970	.COVER, STEERING COLUMN BASE	1
28	99.SF05	.NUT, SF 5/16-18 USS	7
29	90.0608	.BOLT, 3/8-16 USS X 1	2
30	95.06	.WASHER, FLAT 3/8 SAE	2
31	05.0083	.WASHER,PVC.375 ID X.875 X .062	2
32	99.A06	.LOCKNUT, STOVER 3/8-16 USS	2
33	00.0291	.DECAL, WARNING HEARING PPE (Serial # 1808-)	1

# FRAMES, DASH, & HOOD

## ILLUSTRATED DRAWING

### Hood



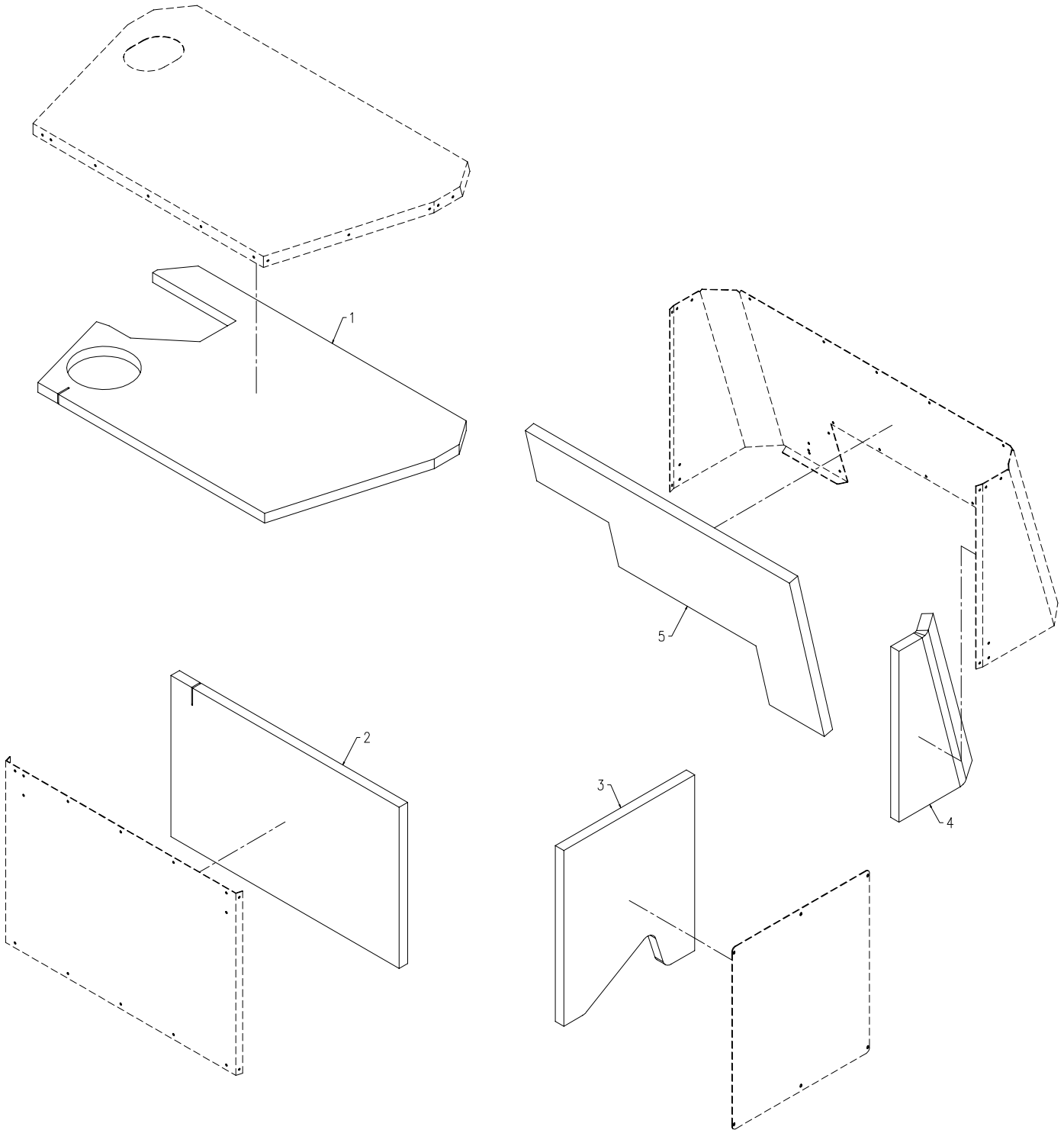
# FRAMES, DASH, & HOOD

## Hood

REF.	PART NO.	DESCRIPTION	QTY.
1	47.0127	.LATCH, RUBBER DRAW T-HANDLE	2
2	99.K0072	.MACHINE SCREW, 10-24 X 1/2 ZP	6
3	99.K0042	.MACHINE SCREW, 10-32 X 3/8	24
4	99.E0035	.NUT, SF #10-32	47
5	60.0974	.COVER, HOOD FRONT	1
6	00.0237	.DECAL, LE HOOD - RIGHT SIDE	1
7	06.0045-6.5IN	.WEATHERSTRIP, 1/8 X 3/4 X 6 1/2"	2
8	99.K0062	.MACHINE SCREW, #10-32 X 1/2	23
9	60.0979	.HOOD, FRONT SIDE	1
10	00.0121	.DECAL, DANGER EXPLOSION HAZARD (Serial # 1153-2278)	1
11	00.0238	.DECAL, LE HOOD - LEFT SIDE	1
12	00.0332	.DECAL, GASOLINE ONLY	1
13	06.0049-16.63IN	.TRIM, TRIM SEAL W/BULB X 16 5/8"	1
14	60.0980	.HOOD, TOP SIDE	1
15	60.1075	.PANEL, HOOD REAR	1
16	00.0189	.DECAL, VENTRAC ORBITAL	1
17	06.0071-17IN	.VELCRO, LOOP 1/2" BLACK X 17"	2
18	64.1276	.BRACKET, GAS DAMPER	1
19	47.0275	.DAMPER, HYDRAULIC 18"	1
20	99.SF08	.NUT, SF 1/2-13 USS	4
21	64.1277	.BRACKET, HOOD SUPPORT	1
22	06.0045-3IN	.WEATHERSTRIP, 1/8 X 3/4 X 3"	2
23	90.0814	.BOLT, 1/2-13 USS X 1 3/4	2
24	64.1279	.SCREEN, REAR HOOD SIDE	1
25	99.SF05	.NUT, SF 5/16-18 USS	4
26	60.1088	.PANEL, HOOD RIGHT SIDE	1
27	90.0508	.BOLT, 5/16-18 USS X 1	2
28	00.0345	.DECAL, DANGER BATTERY (Serial # 2279-)	1

# FRAMES, DASH, & HOOD

## ILLUSTRATED DRAWING Sound Insulation





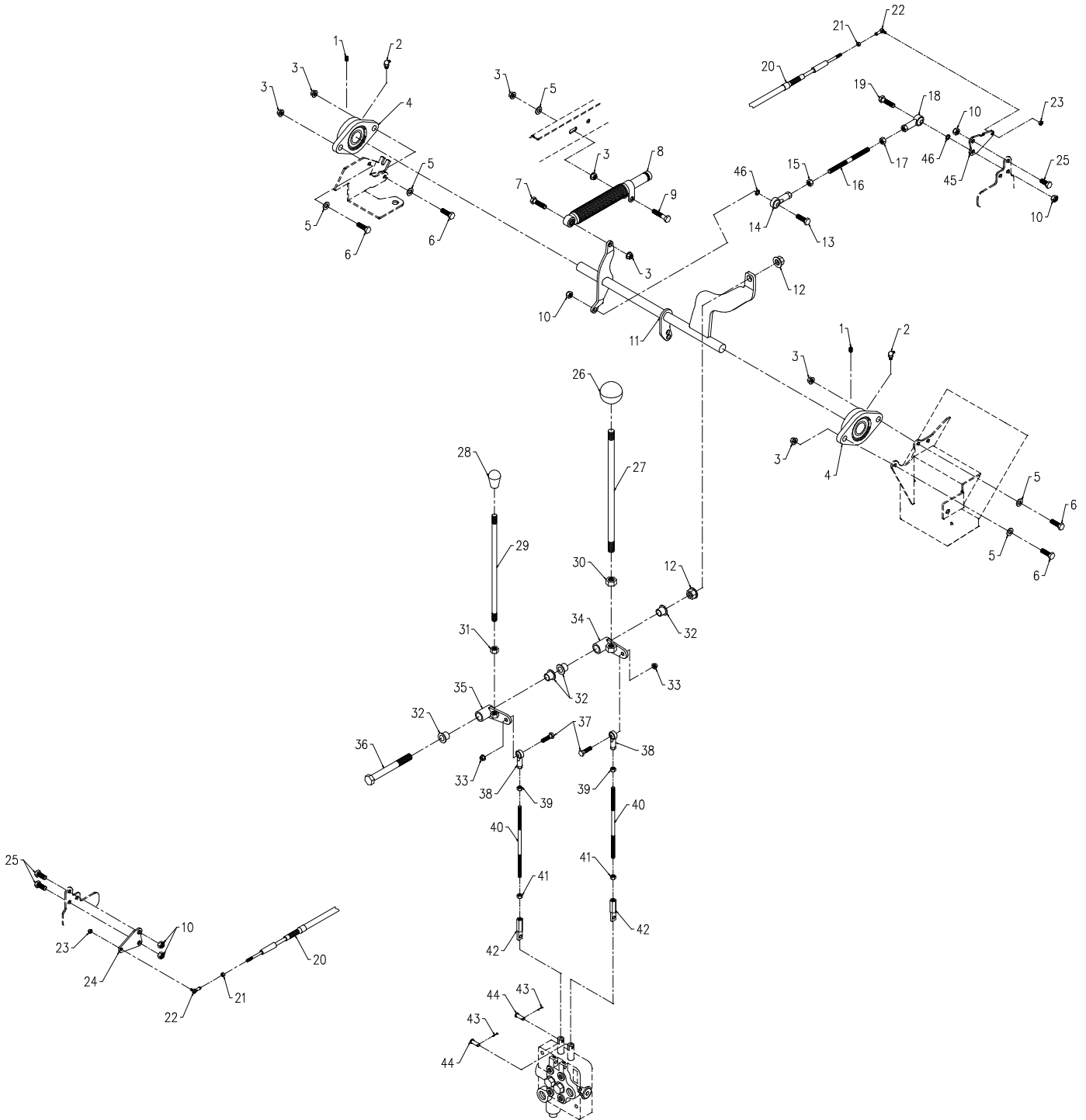
# FRAMES, DASH, & HOOD

## Sound Insulation

REF.	PART NO.	DESCRIPTION	QTY.
1	44.0282	.INSULATION, HOOD TOP	1
2	44.0281	.INSULATION, HOOD REAR	1
3	44.0290	.INSULATION, HOOD RIGHT PANEL	1
4	44.0284	.INSULATION, HOOD RIGHT	1
5	44.0283	.INSULATION, HOOD FRONT	1

# CONTROLS & LINKAGE

## ILLUSTRATED DRAWING SDLA Controls



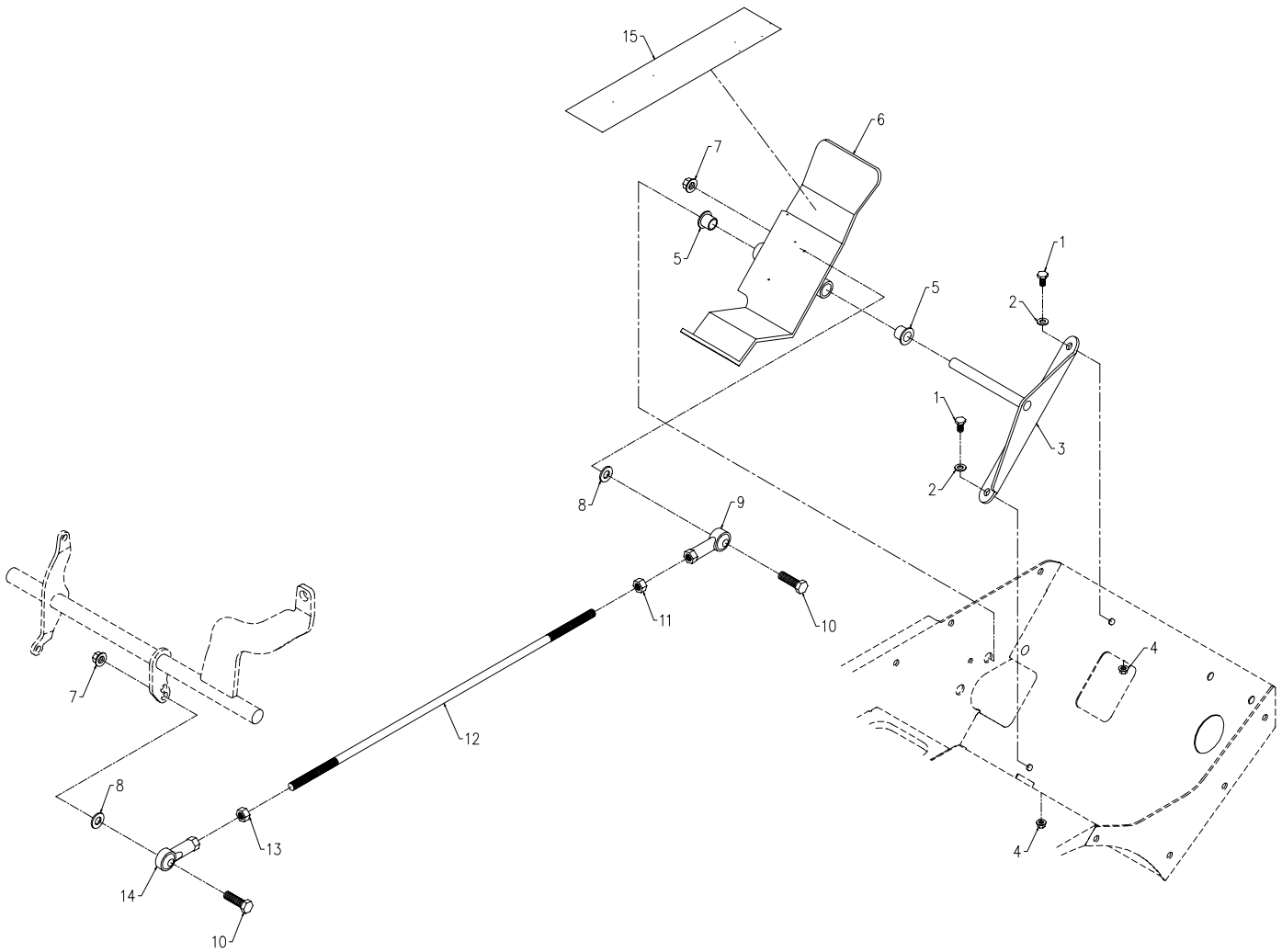
# CONTROLS & LINKAGE

## SDLA Controls

REF.	PART NO.	DESCRIPTION	QTY.
1	85.SS14	.SET SCREW, 1/4-28 X 1/4"	2
2	29.GF0002	.GREASE FTG, 1/4 SAE 90.	2
3	99.SF05	.NUT, SF 5/16-18 USS	7
4	55.FB16012-1	.BEARING, FLANGE BLOCK 3/4"	2
5	95.05	.WASHER, FLAT 5/16 SAE	5
6	90.0508	.BOLT, 5/16-18 USS X 1	4
7	90.0510	.BOLT, 5/16-18 USS X 1 1/4	1
8	47.0242	.DAMPER, 2.625 STROKE GAS SHOCK	1
9	90.0512	.BOLT, 5/16-18 USS X 1 1/2	1
10	99.A05NFN	.LOCKNUT, NYLON 5/16-24 SAE ZP	5
11	42.0505	.LINKAGE, FORWARD/REVERSE	1
12	99.SF08	.NUT, SF 1/2-13 USS	2
13	91.0508	.BOLT, 5/16-24 SAE X 1	1
14	43.005L	.ROD END, 5/16 SPHERICAL (LH)	1
15	99.E0084	.NUT, 5/16-24 LEFT HAND ZP	1
16	42.0518	.ROD, THREAD 5/16-24 X4.5"LH/RH	1
17	93.05	.NUT, 5/16-24 SAE	1
18	43.005	.ROD END, 5/16 SPHERICAL	1
19	91.0510	.BOLT, 5/16-24 SAE X 1-1/4	1
20	47.0253	.CABLE, CONTROL - REAR AXLE LE	1
20	47.0337	.CABLE, CONTROL PUSH-PULL (Serial # 1153-2230)	1
21	99.E0034	.NUT, #10-32	2
22	43.10-32S	.ROD END,10/32 SPHERICAL W/STUD	2
23	99.A1032N	.LOCKNUT, NYLON 10-32 STAINLESS	2
24	60.0971	.PLATE, AXLE CABLE MOUNT	1
25	91.0506	.BOLT, 5/16-24 SAE X 3/4	3
26	47.0003	.KNOB, ROUND 2" X 1/2-13	1
27	40.0240	.HANDLE, F/R CONTROL YZP	1
28	47.0001	.KNOB, SM. #80 3/8-16 THREAD	1
29	40.0241	.HANDLE, AUX CONTROL YZP	1
30	92.08-4	.NUT, 1/2-13 YELLOW ZP	1
31	92.06-4	.NUT, 3/8-16 YELLOW ZP	1
32	85.B0027	.BUSHING, 1/2 ID X 5/8 OD X 5/8	4
33	99.SF04	.NUT, SF 1/4-20 USS	2
34	42.0503	.ARM, PIVOT SDLA LIFT	1
35	42.0504	.ARM, PIVOT SDLA AUX	1
36	90.0836	.BOLT, 1/2-13 USS X 4 1/2	1
37	90.0408	.BOLT, 1/4-20 USS X 1	2
38	43.004	.ROD END, 1/4 SPHERICAL	2
39	93.04	.NUT, 1/4-28 SAE	2
40	42.0515	.ROD, THREAD 1/4-28 X 7" LH/RH	2
41	99.E0081	.NUT, 1/4-28 LH GRADE 8 YZ	2
42	43.004-4	.ROD END, 1/4-28LH YZP VAL CTRL	2
43	02.CP0204	.COTTER PIN, 1/16 X 1/2	2
44	03.0406	.CLEVIS PIN, 1/4 X 3/4	2
45	60.0971	.PLATE, AXLE CABLE MOUNT (Serial # 1153-1712)	1
45	64.1536	.PLATE, FRONT AXLE CABLE MOUNT (Serial # 1713-)	1
46	99.B0102	.WASHER, .313ID X .438OD X .062	2

# CONTROLS & LINKAGE

## ILLUSTRATED DRAWING Foot Pedal



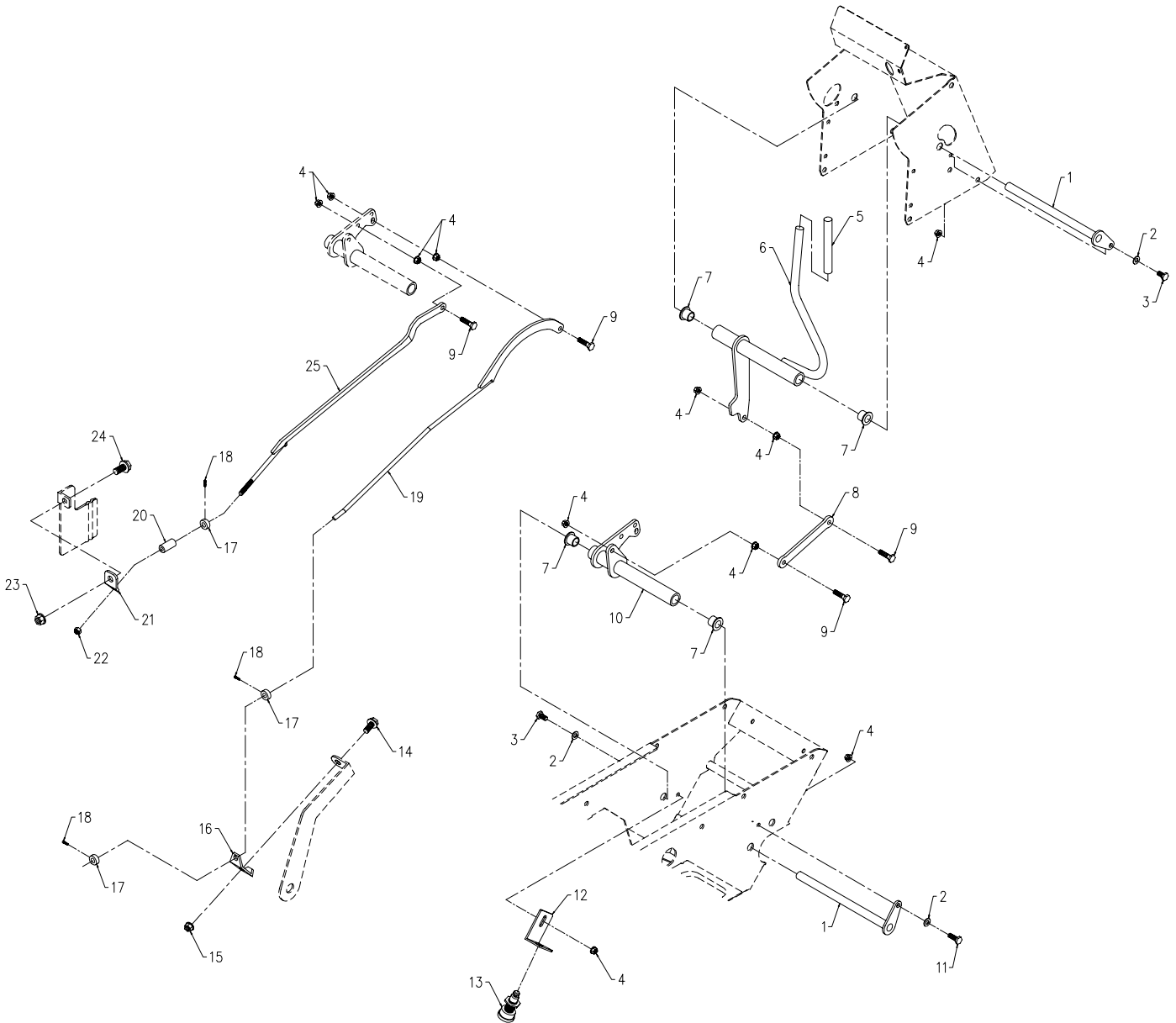
# CONTROLS & LINKAGE

## Foot Pedal

REF.	PART NO.	DESCRIPTION	QTY.
1	90.0404	.BOLT, 1/4-20 USS X 1/2	2
2	95.04	.WASHER, FLAT 1/4 SAE	2
3	42.0506	.PIVOT, FOOT PEDAL	1
4	99.SF04	.NUT, SF 1/4-20 USS	2
5	85.B0027	.BUSHING, 1/2 ID X 5/8 OD X 5/8	2
6	62.1260	.PEDAL, FOOT	1
7	99.SF06	.NUT, SF 3/8-16 USS	2
8	95.06	.WASHER, FLAT 3/8 SAE	2
9	43.006L	.ROD END, 3/8 SPHERICAL LH THRD	1
10	90.0610	.BOLT, 3/8-16 USS X 1 1/4	2
11	99.E0083	.NUT, JAM 3/8-24 SAE LH ZP	1
12	42.0516	.ROD, THREAD 3/8-24X20.25 LH/RH	1
13	93.06	.NUT, 3/8-24 SAE	1
14	43.006	.ROD END, 3/8 SPHERICAL	1
15	44.0275	.FLEX TREAD, FOOT PEDAL	1

# CONTROLS & LINKAGE

## ILLUSTRATED DRAWING Park Brake



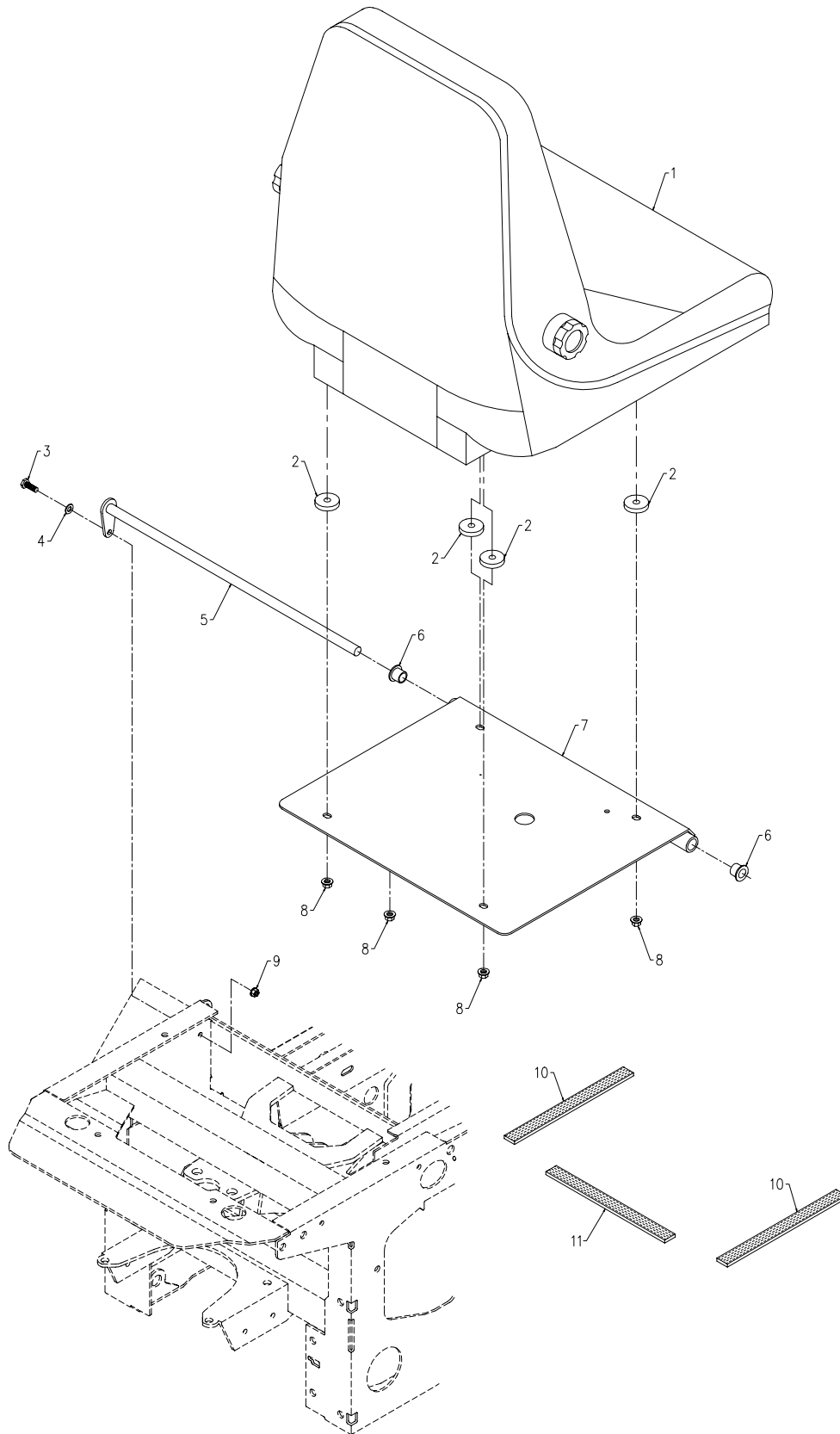
# CONTROLS & LINKAGE

## Park Brake

REF.	PART NO.	DESCRIPTION	QTY.
1	64.1260	.PIN, PIVOT	2
2	95.04	.WASHER, FLAT 1/4 SAE	3
3	90.0404	.BOLT, 1/4-20 USS X 1/2	2
4	99.SF04	.NUT, SF 1/4-20 USS	11
5	06.0059	.CAP, VINYL 1/2" X 4" LONG	1
6	40.0344	.HANDLE, PARK/CRUISE SELECTOR	1
7	85.B0027	.BUSHING, 1/2 ID X 5/8 OD X 5/8	4
8	42.0508	.LINKAGE, MASTER LOCK OUT	1
9	90.0408	.BOLT, 1/4-20 USS X 1	4
10	64.1257	.ROCKER, MASTER LOCK OUT	1
11	90.0406	.BOLT, 1/4-20 USS X 3/4	1
12	64.1264	.PLATE, NEUTRAL SWITCH MOUNT	1
13	31.0044	.SWITCH, PUSH BUTTON - NEUTRAL	1
14	99.SF0506	.BOLT, SF 5/16-18 USS X 3/4	1
15	99.SF05	.NUT, SF 5/16-18 USS	1
16	64.0782	.EXTENSION, NEUTRAL ARM	1
17	85.SC05	.SET COLLAR, 5/16"	3
18	99.K0073	.BOLT, SHCS 10-32 X 1/2 ZP	3
19	42.0501	.LINK, NEUTRAL	1
20	05.0065	.SPACER, 1/4 ID X 1/2 OD X 1 LG	1
21	64.0781	.EXTENSION, BRAKE LEVER	1
22	99.A04NFN	.LOCKNUT, NYLON 1/4-28	1
23	99.SF06	.NUT, SF 3/8-16 USS	1
24	99.SF0606	.BOLT, SF 3/8-16 USS X 3/4	1
25	42.0502	.LINK, BRAKE	1

# OPTIONS

## ILLUSTRATED DRAWING Suspension Seat





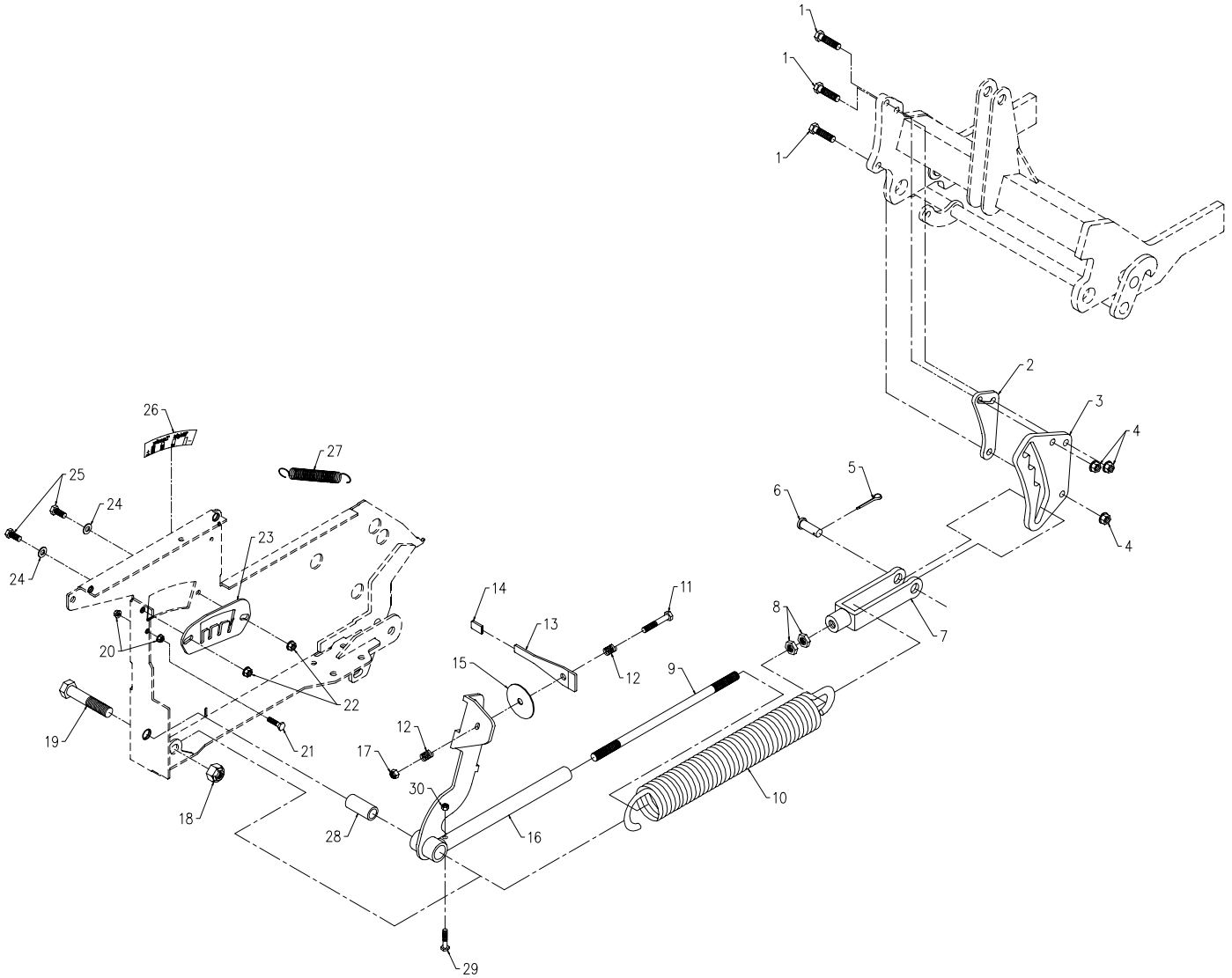
# OPTIONS

## Suspension Seat

REF.	PART NO.	DESCRIPTION	QTY.
1	47.0233	.SEAT, FULL SUSPENSION	1
	47.0231-1	.ARMREST, KIT - SUSPENSION SEAT	1
	47.0231-2	.KIT, SLIDE FOR SEAT	1
2	05.0069	.WASHER, NYLON	4
3	90.0406	.BOLT, 1/4-20 USS X 3/4	1
4	95.04	.WASHER, FLAT 1/4 SAE	1
5	64.1259	.PIN, SEAT PIVOT	1
6	85.B0027	.BUSHING, 1/2 ID X 5/8 OD X 5/8	2
7	62.1264	.PLATE, SEAT	1
8	99.SF05	.NUT, SF 5/16-18 USS	4
9	99.SF04	.NUT, SF 1/4-20 USS	1
10	06.0045-12IN	.WEATHERSTRIP, 1/8 X 3/4 X 12"	2
11	06.0045-16.5IN	.WEATHERSTRIP, 1/8 X 3/4 X 16 1/2"	1

# OPTIONS

## ILLUSTRATED DRAWING Weight Transfer



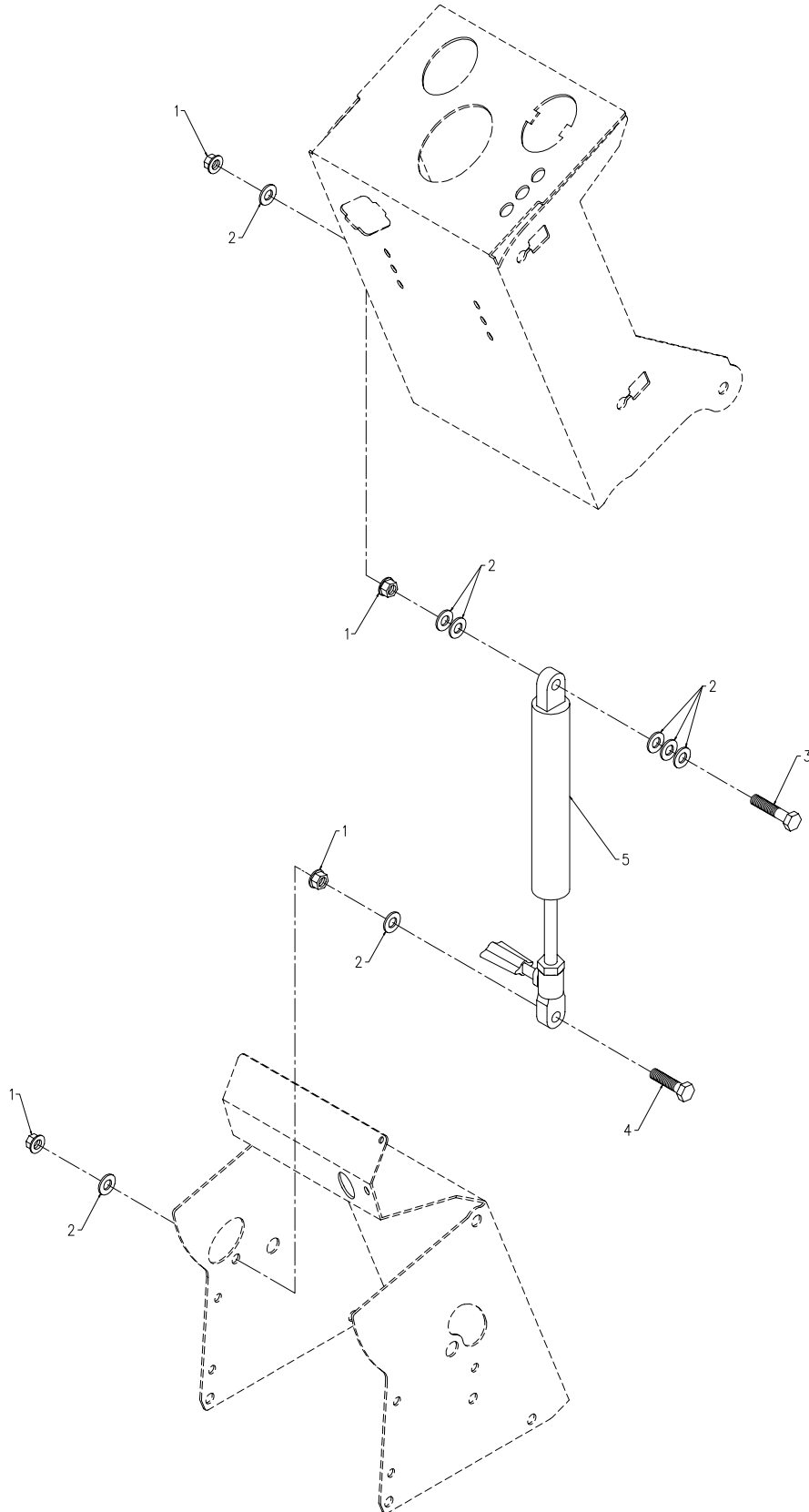
# OPTIONS

## Weight Transfer

REF.	PART NO.	DESCRIPTION	QTY.
1	90.0612	.BOLT, 3/8-16 USS X 1 1/2.	3
2	64.1272	.SPACER, WEIGHT TRANSFER STOP.	1
3	64.1271	.PLATE, WEIGHT TRANSFER STOP	1
4	99.SF06	.NUT, SF 3/8-16 USS	3
5	02.CP0408	.COTTER PIN, 1/8 X 1.	1
6	03.0812	.CLEVIS PIN, 1/2 X 1-1/2.	1
7	43.C08-1R	.CLEVIS END, 1/2-20 RH THREAD	1
8	99.E0079	.NUT, JAM 1/2-20 RH YELLOW ZP.	2
9	42.0517	.ROD, THREAD 1/2-20 X 12" LH/RH.	1
10	41.0080	.SPRING, WEIGHT TRANSFER.	1
11	90.0516	.BOLT, 5/16-18 USS X 2.	1
12	41.0039	.SPRING, COMP. 9/16 OD X 5/8.	2
13	40.0343	.LEVER, WEIGHT TRANSFER.	1
14	06.0044	.CAP, PLASTIC 1/8 X 1/2 X 7/8	1
15	05.0002	.WASHER, FRIC. 2 1/4 X 13/32.	1
16	40.0341	.ARM, WEIGHT TRANSFER.	1
17	99.A05	.LOCKNUT, STOVER 5/16-18 USS	1
18	99.A10	.LOCKNUT, STOVER 5/8-11 USS.	1
19	90.1026	.BOLT, 5/8-11 USS X 3 1/4.	1
20	99.SF04	.NUT, SF 1/4-20 USS	2
21	90.0408	.BOLT, 1/4-20 USS X 1.	1
22	99.SF05	.NUT, SF 5/16-18 USS	2
23	60.0972	.PLATE, WEIGHT TRANSFR SELECTOR.	1
24	95.05	.WASHER, FLAT 5/16 SAE	2
25	90.0506	.BOLT, 5/16-18 USS X 3/4	2
26	00.0235-1	.DECAL, WEIGHT TRANSFER.	1
27	41.0086	.SPRING, EXT 3/8" OD X 4" LONG	1
28	64.1269	.BUSHING, .635 IDX7/8 OD X1-7/8.	1
29	90.0410	.BOLT, 1/4-20 USS X 1 1/4.	1
30	99.A04	.LOCKNUT, STOVER 1/4-20 USS	1

# OPTIONS

## ILLUSTRATED DRAWING Steering Column Tilt



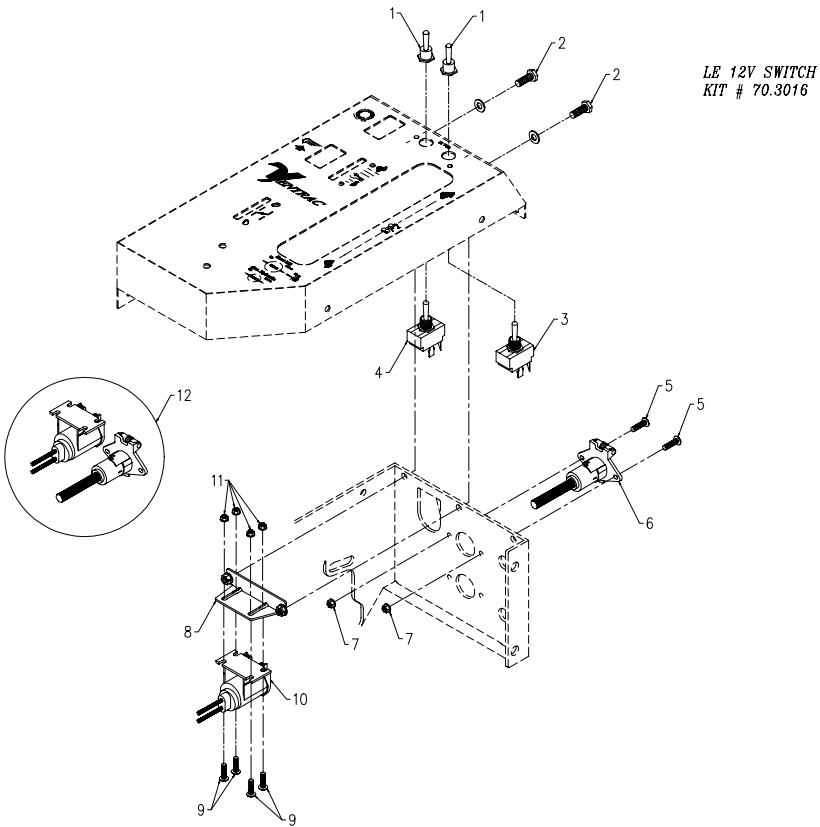
# OPTIONS

## Steering Column Tilt

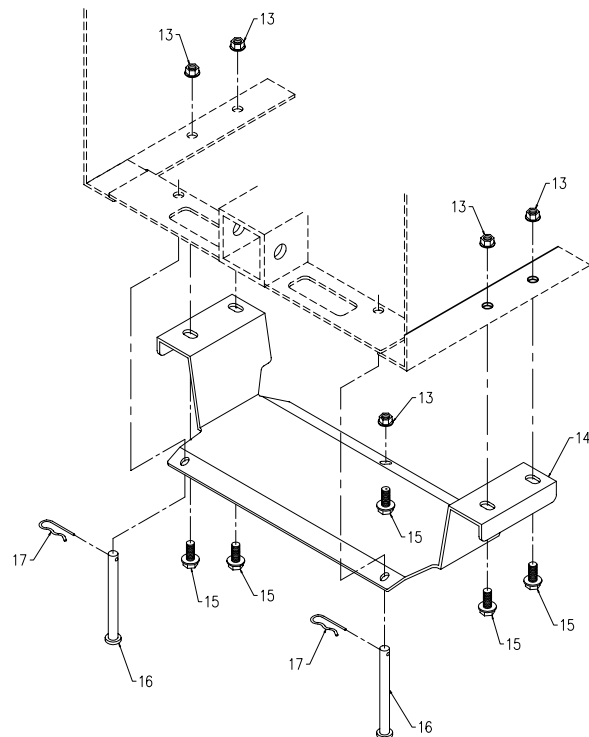
REF.	PART NO.	DESCRIPTION	QTY.
1	99.SF05	.NUT, SF 5/16-18 USS	4
2	95.05	.WASHER, FLAT 5/16 SAE	8
3	90.0512	.BOLT, 5/16-18 USS X 1 1/2	1
4	90.0510	.BOLT, 5/16-18 USS X 1 1/4	1
5	47.0250	.SHOCK, GAS BLOC-O-LIFT LOCKING	1

# OPTIONS

## ILLUSTRATED DRAWING 12V Switch Kit, Rear Weight Bracket Kit



LE REAR WEIGHT BRACKET  
KIT # 70.3017



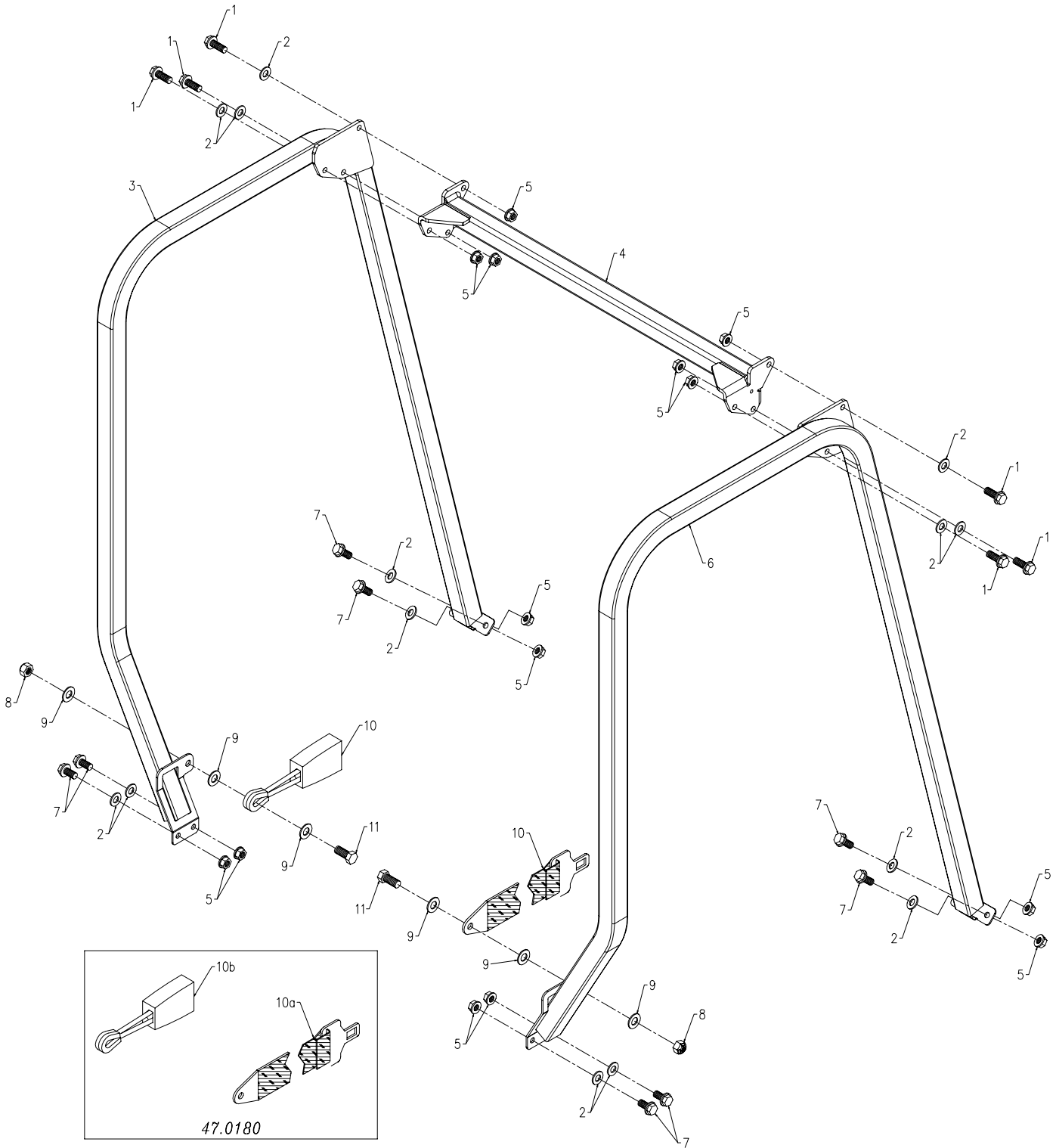
# OPTIONS

## 12V Switch Kit, Rear Weight Bracket Kit

REF.	PART NO.	DESCRIPTION	QTY.
1	30.0157	.BOOT, TOGGLE SWITCH	2
2	90.0406	.BOLT, 1/4-20 USS X 3/4	2
3	31.0034	.SWITCH, TOGGLE ON/OFF SPST	1
4	31.0041	.SWITCH, TOGGLE DPDT MOOFFMO	1
5	99.K0062	.MACHINE SCREW, #10-32 X 1/2	2
6	30.0219	.SOCKET, TRAILER 4-PIN FEMALE	1
7	99.E0035	.NUT, SF #10-32	2
8	64.1295	.BRACKET, 12 VOLT ELECTRICAL	1
9	99.K0041	.MACHINE SCREW, #8-32 X 1/2	4
10	30.0221	.OUTLET, 12 VOLT ALL WEATHER	1
11	99.E0062	.NUT, SF#8-32	4
12	32.0084	.HARNESS, WIRE - LE31/3200 12 V	1
13	99.SF05	.NUT, SF 5/16-18 USS	5
14	64.1290	.BRACKET, WEIGHT BAR	1
15	99.SF0506	.BOLT, SF 5/16-18 USS X 3/4	5
16	03.0632	.CLEVIS PIN, 3/8 X 4	2
17	02.HP0416	.HAIRPIN, 1/8 X 2	2

# OPTIONS

## ILLUSTRATED DRAWING 70.3015 Roll Cage Kit





# OPTIONS

## 70.3015 Roll Cage Kit

REF.	PART NO.	DESCRIPTION	QTY.
1	99.SF0608	.BOLT, SF 3/8-16 USS X 1	6
2	95.06	.WASHER, FLAT 3/8 SAE	14
3	64.1274	.ROLLBAR, LEFT SIDE LE	1
4	64.1303	.BRACE, FRONT CROSSMEMBER LE	1
5	99.SF06	.NUT, SF 3/8-16 USS	14
6	64.1273	.ROLLBAR, RIGHT SIDE LE	1
7	99.SF0606	.BOLT, SF 3/8-16 USS X 3/4	8
8	99.A07	.LOCKNUT, STOVER 7/16-14 USS	2
9	95.07	.WASHER, FLAT 7/16 SAE	6
10	47.0180	.SEAT BELT, LAP N/C SWITCH 60"	1
10A	47.0180-1	.SEAT BELT, 60" LAP BELT RT SID	1
10B	47.0180-2	.SEAT BELT, BUCKLE W N/C SWTCH	1
11	90.0708	.BOLT, 7/16-14 USS X 1	2