



EUROPEAN PARTS MANUAL

Ventrac
3200
Serial # TAG1613-

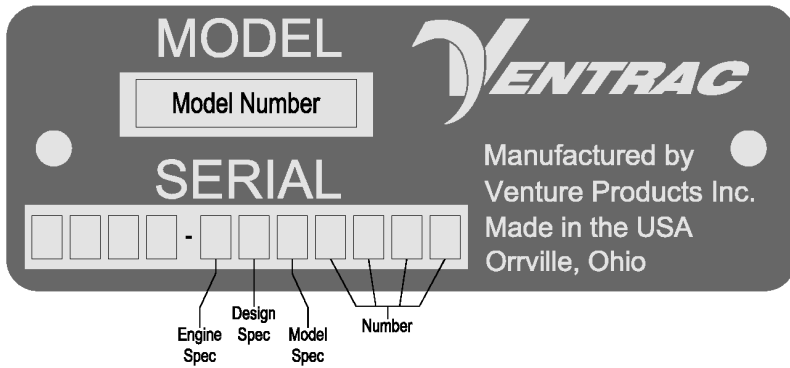


Revised 01/24/20
09.20011 Rev. 08



500 Venture Drive
PO Box 148
Orrville Oh 44667
www.ventrac.com

Serial Number Description



ENGINE

T DM850D VANGUARD DIESEL

Notes

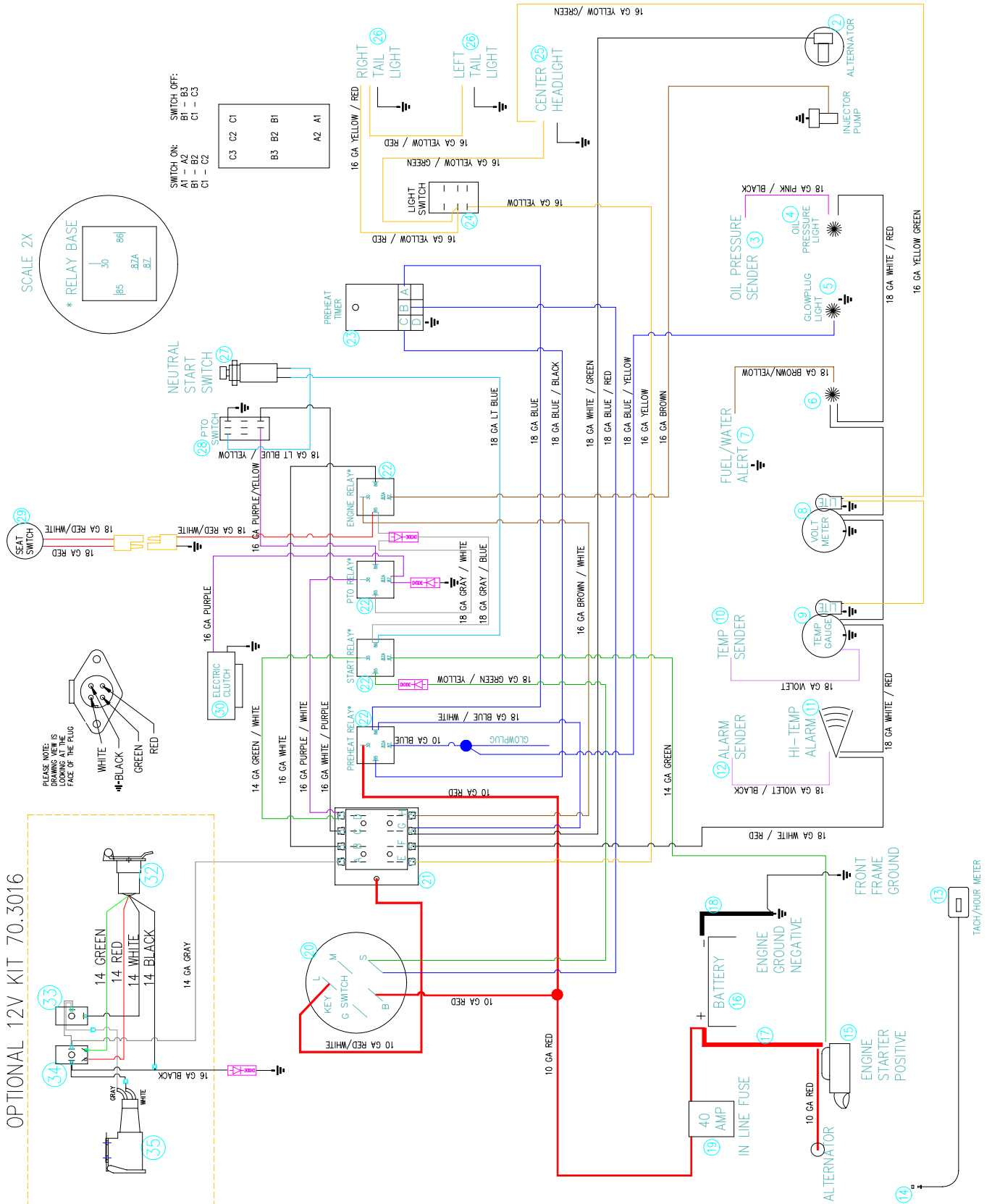
- If any component requires replacement, use only original Ventrac replacement parts.
- When ordering new components, be sure to order all required safety decals. All current safety decals must be affixed to the replacement components prior to installation of the component.

TABLE OF CONTENTS

ELECTRICAL	PAGE 4
Wiring Diagram	4
HYDRAULICS	PAGE 6
Hydraulic Diagram.....	6
Hydraulic Steering & Filter	8
Hydraulic Lift & Valve	10
ENGINE	PAGE 12
Engine	12
Engine Mount.....	14
Engine Drive.....	16
Air Intake & Exhaust.....	18
Cooling System	20
Fuel System	22
AXLES, WHEELS, & DRIVES	PAGE 24
Front Axle	24
Rear Axle.....	26
Axle Mount & Tires	28
Belt & Pulley Diagram	30
Center Shaft Assembly.....	32
Axle Drive.....	34
PTO Drive	36
FRAMES & HITCH	PAGE 38
Rear Frame	38
Front Frame	40
Front Hitch.....	42
Weight Transfer.....	44
SEATS	PAGE 46
Highback Seat.....	46
Suspension Seat.....	48
DASH & HOOD	PAGE 50
Dash.....	50
Steering Column	52
Hood.....	54
Bottom Shields & Insulation	56
CONTROLS & LINKAGE	PAGE 58
SDLA Controls.....	58
Foot Pedal.....	60
Park Brake	62
OPTIONS	PAGE 64
12V Switch Kit, Rear Weight Bracket Kit.....	64
Roll Cage Kit # 70.3015	66

ELECTRICAL

ILLUSTRATED DRAWING Wiring Diagram



ELECTRICAL

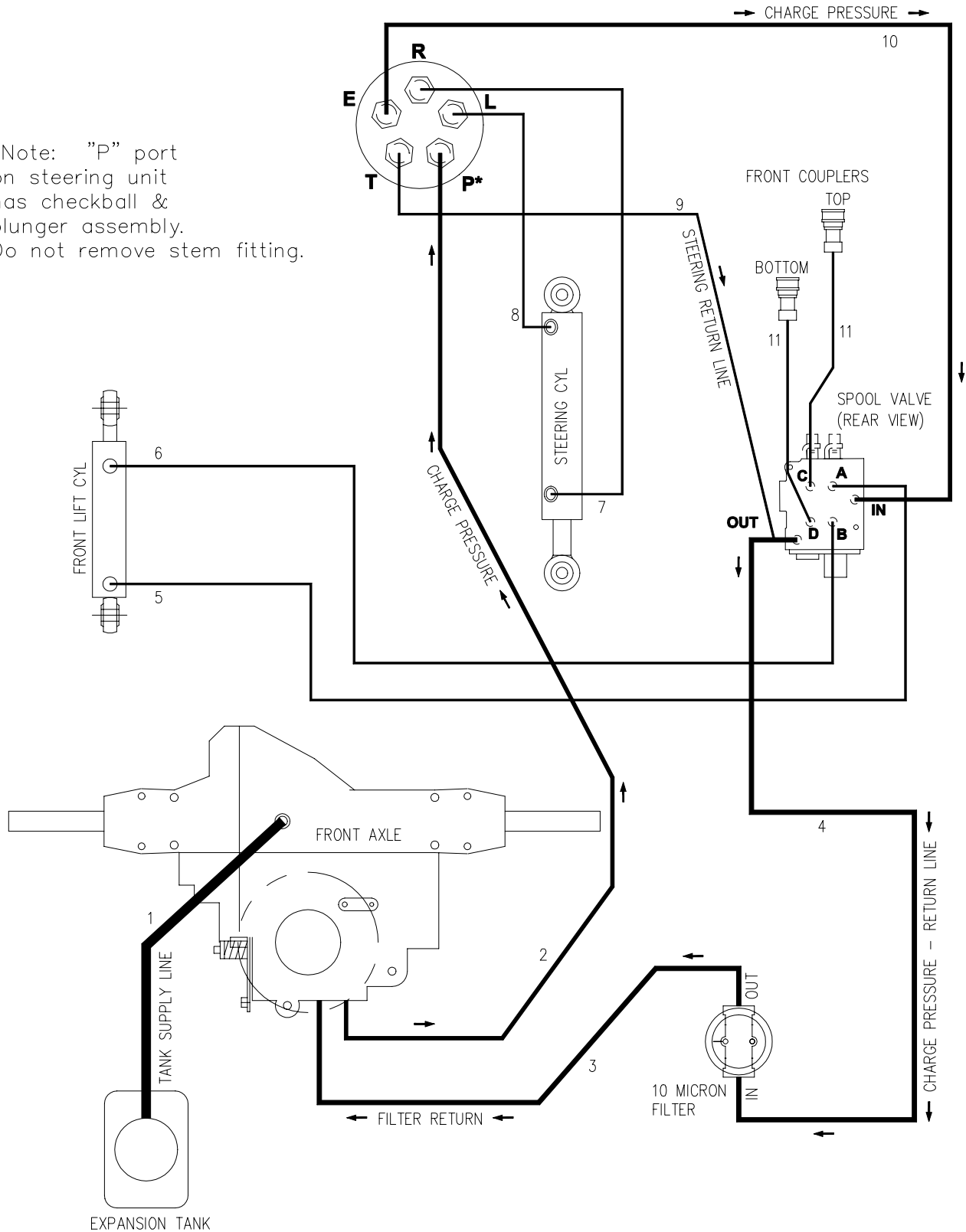
Wiring Diagram

REF.	PART NO.	DESCRIPTION	QTY.
1	32.0083	.HARNESS, WIRE - LE3200 (NOT SHOWN)	1
2	13.0167	.ALTERNATOR, VANGUARD	1
	13.825388	.REGULATOR, 40 AMP	1
3	13.825000	.SWITCH, OIL PRESSURE	1
4	33.0031	.LIGHT, RED	1
5	33.0032	.LIGHT, BLUE	1
6	33.0020	.LIGHT, AMBER	1
7	13.820347	.SENSOR, FUEL FILTER	1
8	35.0101	.GAUGE, VOLTMETER 12 VOLT	1
9	35.0100	.GAUGE, TEMP 250 DEGREE 2" DIA	1
10	13.0075	.SENDING UNIT, TEMP 250 DEG	1
11	35.0107	.ALARM, HIGH TEMP	1
12	13.820208	.SWITCH, WATER TEMP	1
13	35.0114	.GAUGE, HOUR/TACH DGTL 27" LEAD	1
14	47.0276	.MAGNET, TACH SENSOR	1
15	13.825700	.STARTER, 1.2 KW	1
16	33.0030	.BATTERY, 450 CCA	1
17	32.0081	.CABLE, ASM POS BATTERY 43"	1
18	32.0065	.CABLE, ASM NEG BATTERY 19" 4GA	1
19	30.0188	.FUSE, 40 AMP ATC BLADE - AMBER	1
20	13.0078	.SWITCH, IGNITION DELTA	1
21	30.0185	.FUSE PANEL, 8 CIRCUIT ATC BLADE	1
22	35.0103	.RELAY, 50 AMP 5 POLE	4
23	13.0071	.TIMER, GLOW PLUG-VANGUARD	1
24	31.0036	.SWITCH, CONTOUR ON-OFF DPST	1
25	33.0043	.LIGHT, HEAD 12V 55W HALOGEN	1
26	33.0045	.LIGHT, SEALED MARKER RED	2
27	31.0044	.SWITCH, PUSH BUTTON - NEUTRAL	1
28	31.0043	.SWITCH, PTO - PUSH/PULL	1
29	31.0033	.SWITCH, SEAT 2" ROUND GRAY	1
30	37.0048	.CLUTCH/BRAKE, ELECTRIC OGURA	1
31	32.0084	.HARNESS, WIRE - LE31/3200 12 V (NOT SHOWN)	1
32	30.0219	.SOCKET, TRAILER 4-PIN FEMALE	1
33	31.0034	.SWITCH, TOGGLE ON/OFF SPST	1
34	31.0041	.SWITCH, TOGGLE DPDT MOOFFMO	1
35	30.0221	.OUTLET, 12 VOLT ALL WEATHER	1

HYDRAULICS

ILLUSTRATED DRAWING Hydraulic Diagram TOP VIEW SHOWN UNLESS NOTED

*Note: "P" port on steering unit has checkball & plunger assembly. Do not remove stem fitting.



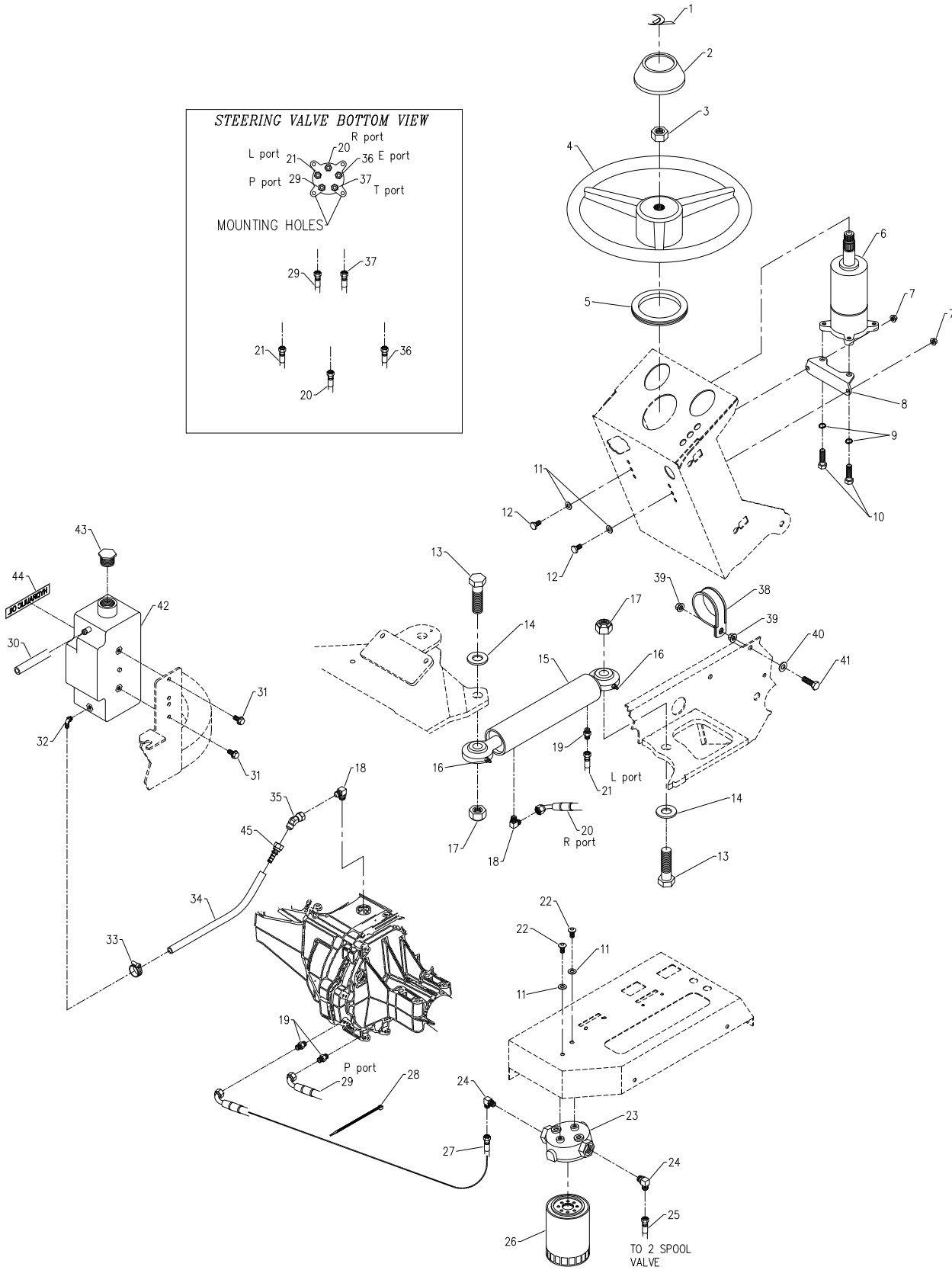
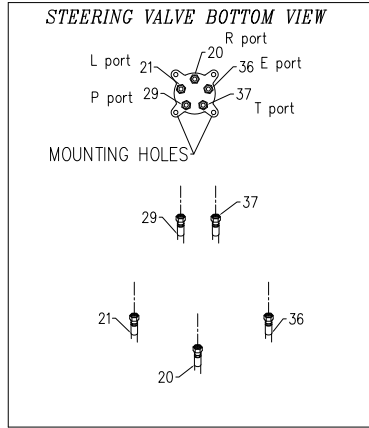
HYDRAULICS

Hydraulic Diagram

REF.	PART NO.	DESCRIPTION	QTY.
1	27.P06-50IN	.HOSE, PUSHLOCK X 3/8 /FT X 50"	1
2	20.0242	.HOSE, ASM C 3/8 X 61" - 2500	1
3	20.0245	.HOSE, ASM C 3/8 X 29" - 2500	1
4	20.0244	.HOSE, ASM C 3/8 X 15" - 2500	1
5	20.0248	.HOSE, ASM C 1/4 X 27" - 2750	1
6	20.0212	.HOSE, ASM C 1/4 X 23"-2750	1
7	20.0247	.HOSE, ASM C 1/4 X 41" - 2750	1
8	20.0246	.HOSE, ASM C 1/4 X 31" - 2750	1
9	20.0213	.HOSE, ASM C 1/4 X 46"-2750	1
10	20.0243	.HOSE, ASM C 3/8 X 50" - 2500	1
11	20.0249	.HOSE, ASM C 1/4 X 13" - 2750	2

HYDRAULICS

ILLUSTRATED DRAWING Hydraulic Steering & Filter



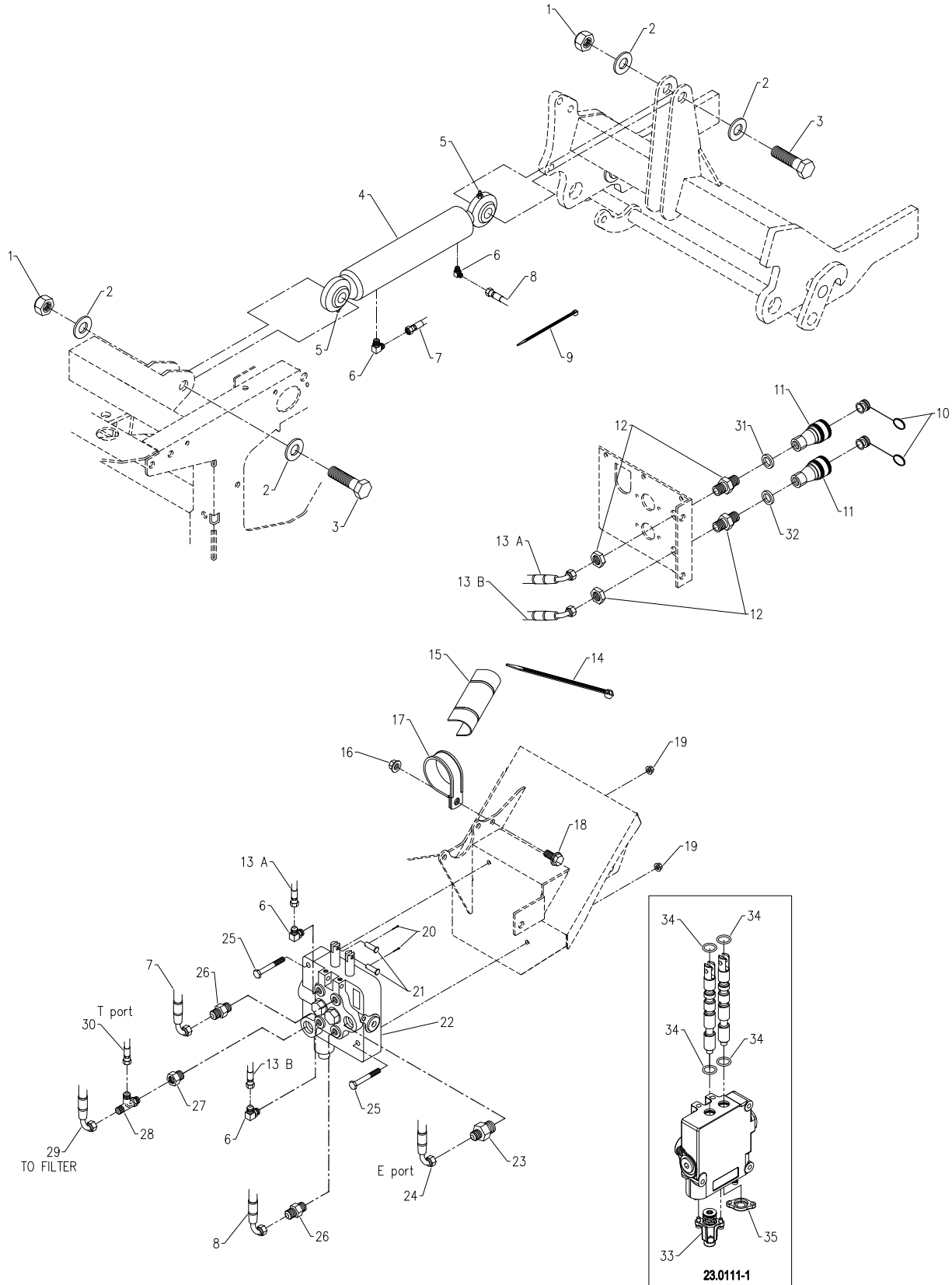
HYDRAULICS

Hydraulic Steering & Filter

REF.	PART NO.	DESCRIPTION	QTY.
1	00.0207	.DECAL, VENTRAC DOME	1
2	47.0118	.CAP, STEERING WHEEL	1
3	99.E0011	.NUT, JAM 5/8 SAE	1
4	47.0117	.STEERING WHEEL, 16MM X 40T	1
5	05.0080	.GROMMET, 2-3/4ID,3-5/8OD,5/16T	1
6	23.0113	.VALVE, STEERING-DANFOSS 100CC	1
6	89.0095	.KIT, SEAL 23.0113 STEER VALVE	1
7	99.SF04	.NUT, SF 1/4-20 USS	2
8	64.1262	.BRACKET, STEERING VALVE MOUNT	1
9	96.05	.WASHER, LOCK 5/16	2
10	99.M0009	.BOLT, M8 X 1.25 P X 25 MM LONG	2
11	95.04	.WASHER, FLAT 1/4 SAE	4
12	90.0404	.BOLT, 1/4-20 USS X 1/2	2
13	90.1018	.BOLT, 5/8-11 USS X 2 1/4	2
14	95.10	.WASHER, FLAT 5/8 SAE	2
15	23.0129	.CYLINDER, 1-1/2" X 8" STEERING	1
16	29.GF0001	.GREASE FTG, 1/4 SAE ST	2
17	99.A10	.LOCKNUT, STOVER 5/8-11 USS	2
18	25.6801-06-06	.FITTING, 90 ME 3/8 X 3/8	2
19	25.6400-06-06	.FITTING, M CONN 3/8 X 3/8	3
20	20.0247	.HOSE, ASM C 1/4 X 41 - 2750	1
21	20.0246	.HOSE, ASM C 1/4 X 31 - 2750	1
22	99.K0063	.BOLT, BUT HD SOCK SS 1/4 X 1/2	2
23	21.0115	.FILTER, HEAD 3/4" PORT SAE-8	1
24	25.6801-06-08	.FITTING, 90 ME 3/8 X 1/2	2
25	20.0244	.HOSE, ASM C 3/8 X 15 - 2500	1
26	21.0078	.FILTER, HYDRAULIC 10 MICRON	1
27	20.0245	.HOSE, ASM C 3/8 X 29 - 2500	1
28	30.0037	.TYTON TIE, #50 .18 X 8 BLACK	1
29	20.0242	.HOSE, ASM C 3/8 X 61 - 2500	1
30	27.T06-2-20IN	.TUBE, PVC CLEAR 3/8 OD X 1/4 ID X 20"	1
31	99.SF0404	.BOLT, SF 1/4-20 X 1/2	2
32	29.BF06MP0290-1	.FITTING, B. 3/8 BRB 1/8 NPT 90	1
33	11.0038	.CLAMP, HOSE S/S 7/32 - 5/8	1
34	27.P06-50IN	.HOSE, PUSHLOCK X 3/8 /FT X 50"	1
35	25.6502-06-06	.FITTING, 45 MFE 3/8 X 3/8	1
36	20.0243	.HOSE, ASM C 3/8 X 50 - 2500	1
37	20.0213	.HOSE, ASM C 1/4 X 46"-2750	1
38	11.0065	.CLAMP, CUSHIONED METAL 2"	1
39	99.SF05	.NUT, SF 5/16-18 USS	2
40	95.05	.WASHER, FLAT 5/16 SAE	1
41	90.0508	.BOLT, 5/16-18 USS X 1	1
42	47.0258	.TANK, COOLANT/HYDRAULIC OIL	1
43	05.0108	.PLUG, 3/4" NPT M, WHITE	1
44	00.0148	.DECAL, HYD. OIL 3-7/16 X 3/4	1
45	27.P06FS06	.HOSE END, #6 F JIC 3/8 P.LOCK	1

HYDRAULICS

ILLUSTRATED DRAWING Hydraulic Lift & Valve



HYDRAULICS

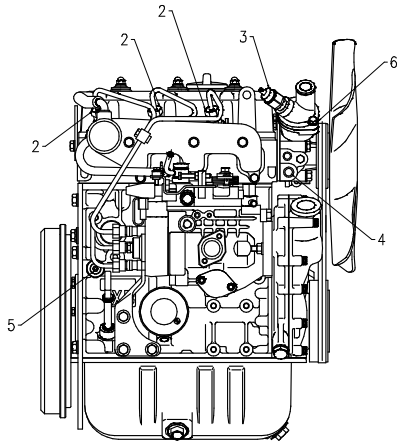
Hydraulic Lift & Valve

REF.	PART NO.	DESCRIPTION	QTY.
1	99.A10	.LOCKNUT, STOVER 5/8-11 USS	2
2	95.10	.WASHER, FLAT 5/8 SAE	4
3	90.1018	.BOLT, 5/8-11 USS X 2 1/4	2
4	23.0130	.CYLINDER, 1-1/2" X 5"	1
5	29.GF0001	.GREASE FTG, 1/4 SAE ST	2
6	25.6801-06-06	.FITTING, 90 ME 3/8 X 3/8	4
7	20.0248	.HOSE, ASM C 1/4 X 27 - 2750	1
8	20.0212	.HOSE, ASM C 1/4 X 23"-2750	1
9	30.0037	.TYTON TIE, #50 .18 X 8 BLACK	1
10	23.0126	.PLUG, NYLON FOR 23.0106	2
11	23.0106	.COUPLER, HYD. QUICK FEMALE 1/4	2
12	25.2706-04-06LN	.FITTING, BULKHEAD W/LOCKNUT	2
13	20.0249	.HOSE, ASM C 1/4 X 13 - 2750	2
14	30.0204	.TYTON TIE, #50 .190 X 12"	3
15	44.0224	.SLEEVE, HOSE PROTECTOR 6"	1
16	99.SF06	.NUT, SF 3/8-16 USS	1
17	11.0065	.CLAMP, CUSHIONED METAL 2"	1
18	99.SF0606	.BOLT, SF 3/8-16 USS X 3/4	1
19	99.SF04	.NUT, SF 1/4-20 USS	2
20	02.CP0204	.COTTER PIN, 1/16 X 1/2	2
21	03.0406	.CLEVIS PIN, 1/4 X 3/4	2
22	23.0111-1	.VALVE, HY 2 SPL W/LH FLT,RH SP	1
23	25.6400-06-08	.FITTING, M CONN 3/8 X 1/2	1
24	20.0243	.HOSE, ASM C 3/8 X 50 - 2500	1
25	90.0416	.BOLT, 1/4-20 USS X 2	2
26	25.6400-06-06	.FITTING, M CONN 3/8 X 3/8	2
27	25.6410-08-06	.FITTING, M/F O-RING 1/2 X 3/8	1
28	25.6804-6-6-6	.FITTING, M TEE 3/8 X 3/8 X 3/8	1
29	20.0244	.HOSE, ASM C 3/8 X 15 - 2500	1
30	20.0213	.HOSE, ASM C 1/4 X 46"-2750	1
31	05.0117	.WASHER, .544ID X .817 X.14 YEL	1
32	05.0116	.WASHER, .544ID X .817 X.14 RED	1
33	23.0111-7	.KIT, SPOOL FLOAT HYD. VALVE	1
34	26.0027	.O-RING, 5/8ID X 13/16OD X 3/32	4
35	23.0111-8	.CAP, VALVE	1

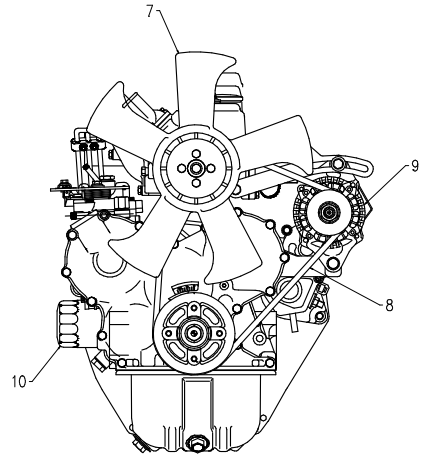
ENGINE

ILLUSTRATED DRAWING Engine

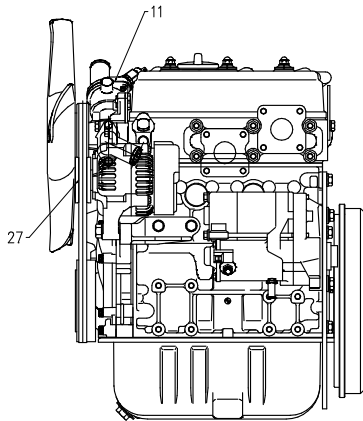
LEFT SIDE VIEW



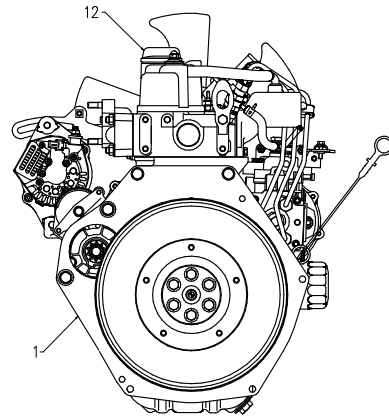
REAR VIEW



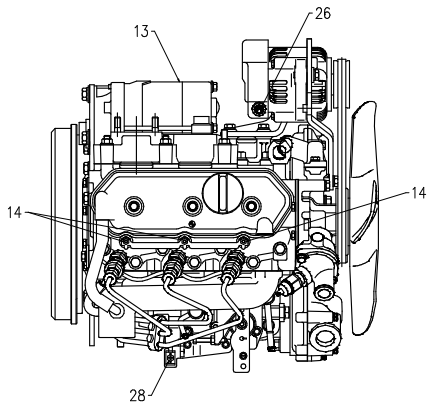
RIGHT SIDE VIEW



FRONT VIEW



TOP VIEW



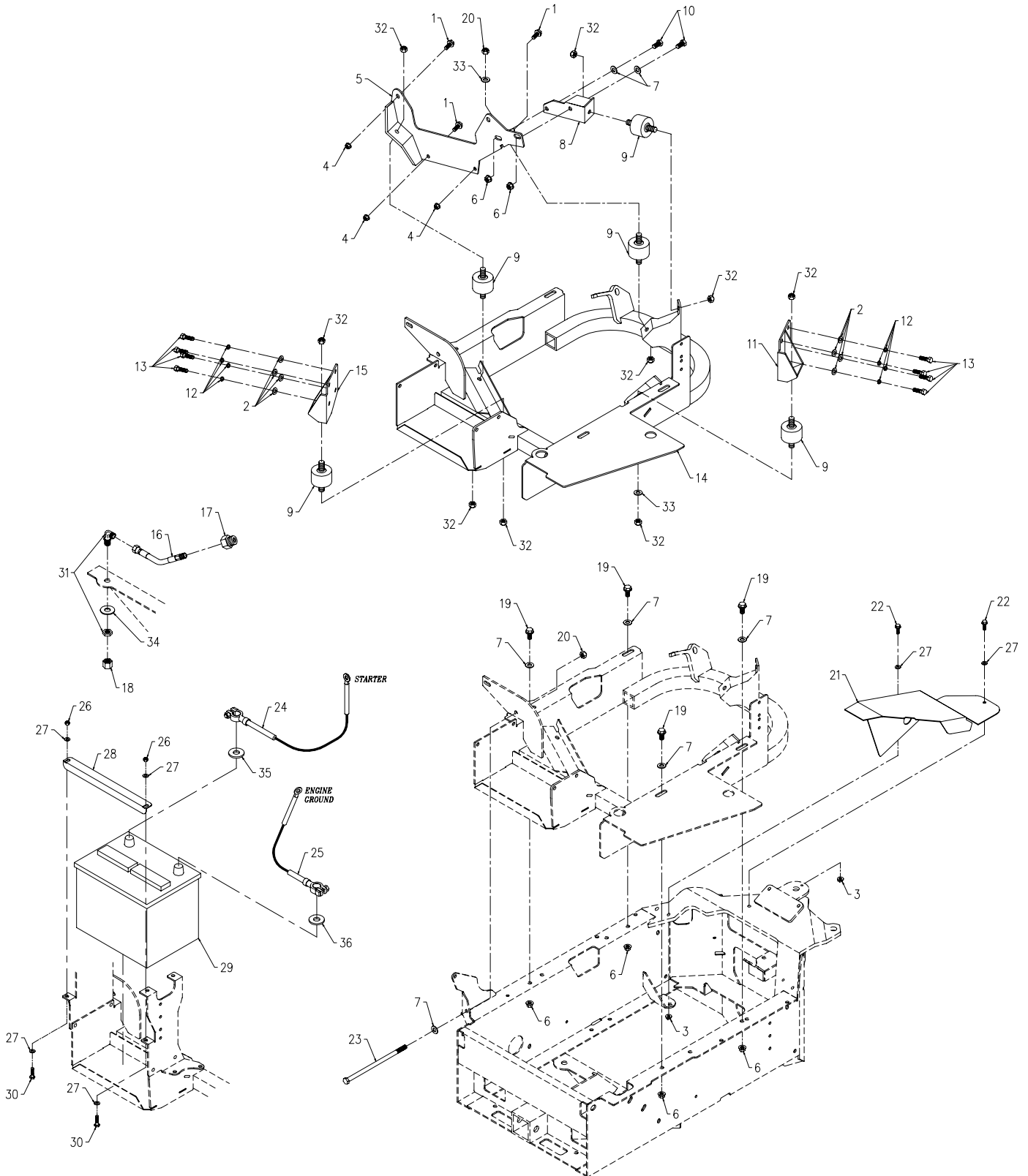
ENGINE

Engine

REF.	PART NO.	DESCRIPTION	QTY.
1	13.0056	.ENGINE, VANG 23.6 HP LIQ COOL	1
2	13.825178	.INJECTOR	3
3	13.820208	.SWITCH, WATER TEMP	1
4	13.0075	.SENDING UNIT, TEMP 250 DEG	1
5	13.825000	.SWITCH, OIL PRESSURE	1
6	13.0160	.THERMOSTAT, & GASKET VANGUARD	1
7	13.0154	.FAN, VANGUARD LARGE 12-1/2"	1
8	81.0133	.BELT, FAN VANG GAS & DIESEL	1
9	13.0167	.ALTERNATOR, VANGUARD	1
	13.825388	.REGULATOR, 40 AMP	1
10	13.0057	.FILTER, ENGINE OIL-VANGUARD	1
11	13.825265	.PUMP, WATER	1
12	13.0165	.CAP, OIL FILL VANGUARD	1
13	13.825700	.STARTER, 1.2 KW	1
	13.825406	.STARTER, BENDIX 1.2 KW	1
14	13.0067	.GLOW PLUG, VANGUARD DIESEL	3
15	13.821073	.SEAL, OIL PTO DIESEL	1
16	13.821071	.SEAL, MAG OIL	1
17	13.821069	.PLUG, CAMSHAFT	1
18	13.820137	.GASKET, SUMP	1
19	13.820093	.GASKET, THERMOSTAT	1
20	13.825315	.GASKET, OVERHAUL SET	1
21	13.820620	.GASKET, HEAD	1
22	13.825316	.GASKET, VALVE COVER SET	1
23	13.820150	.GASKET, VALVE COVER	1
24	13.820293	.MANUAL, ENGINE 23.6 DIESEL	1
25	13.0164	.MANIFOLD, EXHAUST KIT 950D	1
26	30.0321	.INSULATOR, ALTERNATOR POST	1
27	82.0093	.PULLEY, WATER PUMP	1
28	45.0050	.CLAMP, CABLE CONDUIT (Serial # 1613-2230)	1
28	45.0052	.CLAMP, 3/16 CABLE CONDUIT (Serial # 2231-)	1

ENGINE

ILLUSTRATED DRAWING Engine Mount



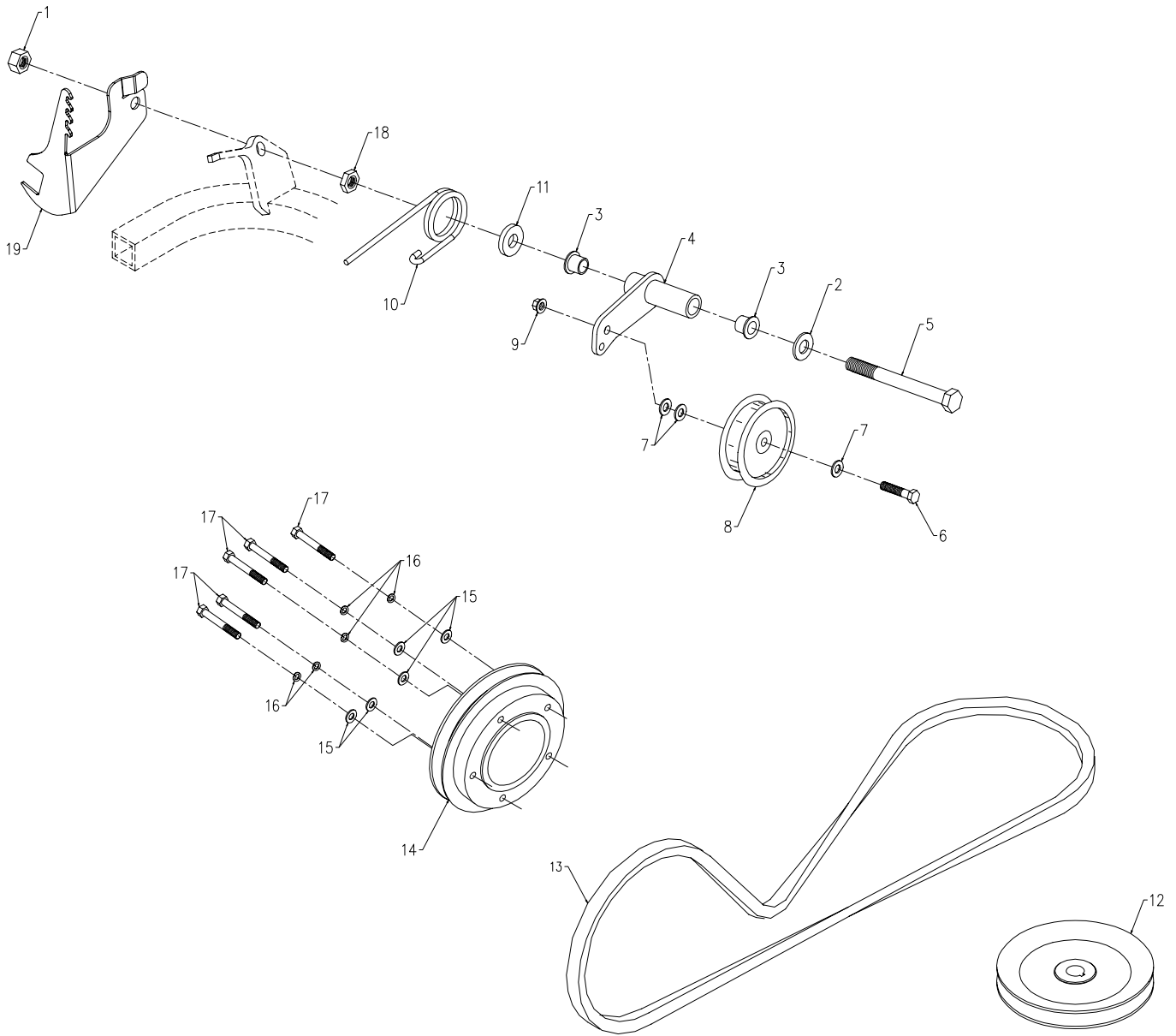
ENGINE

Engine Mount

REF.	PART NO.	DESCRIPTION	QTY.
1	99.SF0506	.BOLT, SF 5/16-18 USS X 3/4	3
2	95.05	.WASHER, FLAT 5/16 SAE	8
3	99.SF04	.NUT, SRF 1/4-20 USS	2
4	99.SF05	.NUT, SF 5/16-18 USS	3
5	62.1270	.MOUNT, ENGINE ISOLATOR	1
6	99.SF06	.NUT, SF 3/8-16 USS	6
7	95.06	.WASHER, FLAT 3/8 SAE	7
8	62.1269	.MOUNT, ENGINE ISOLATOR	1
9	05.0048	.ISOLATOR, 3/8-16 X 1.5 OD X 1	5
10	90.0606	.BOLT, 3/8-16 USS X 3/4	2
11	62.1272	.MOUNT, ENGINE MOUNT	1
12	96.05	.WASHER, LOCK 5/16	8
13	99.M0005	.BOLT, M8 X 1.25 X 20	8
14	62.1265	.FRAME, ENGINE 23.6 DIESEL	1
15	62.1271	.MOUNT, ENGINE MOUNT	1
16	22.0027	.HOSE, ASM X 8" 3/8 PLOCK	1
17	14.0015	.ADAPTER, ENG OIL DRAIN PLUG	1
18	25.304-C-06	.FITTING, CAP 3/8 #6 JIC	1
19	99.SF0606	.BOLT, SF 3/8-16 USS X 3/4	4
20	99.A06	.LOCKNUT, STOVER 3/8-16 USS	2
21	60.0987	.COVER, ENGINE DRIVE BELT	1
22	99.SF0406	.BOLT, SRF 1/4-20 X 3/4	2
23	90.0664	.BOLT, 3/8-16 USS X 8	1
24	32.0081	.CABLE, ASM POS BATTERY 43"	1
25	32.0065	.CABLE, ASM NEG BATTERY 19" 4GA	1
26	99.A04	.LOCKNUT, STOVER 1/4-20 USS	2
27	95.04	.WASHER, FLAT 1/4 SAE	6
28	64.1291	.CLAMP, BATTERY	1
29	33.0030	.BATTERY, HARRIS	1
30	90.0408	.BOLT, 1/4-20 USS X 1	2
31	25.2701-06-06LN	.FITTING, BULKHEAD 3/8 W/LN 90	1
32	99.A06N	.LOCKNUT, NYLON 3/8-16	9
33	94.06	.WASHER, FLAT 3/8 USS	2
34	94.08	.WASHER, FLAT 1/2 USS	1
35	05.0121	.WASHER, ANTI CORROSION RED	1
36	05.0122	.WASHER, ANTI CORROSION BLACK	1

ENGINE

ILLUSTRATED DRAWING Engine Drive



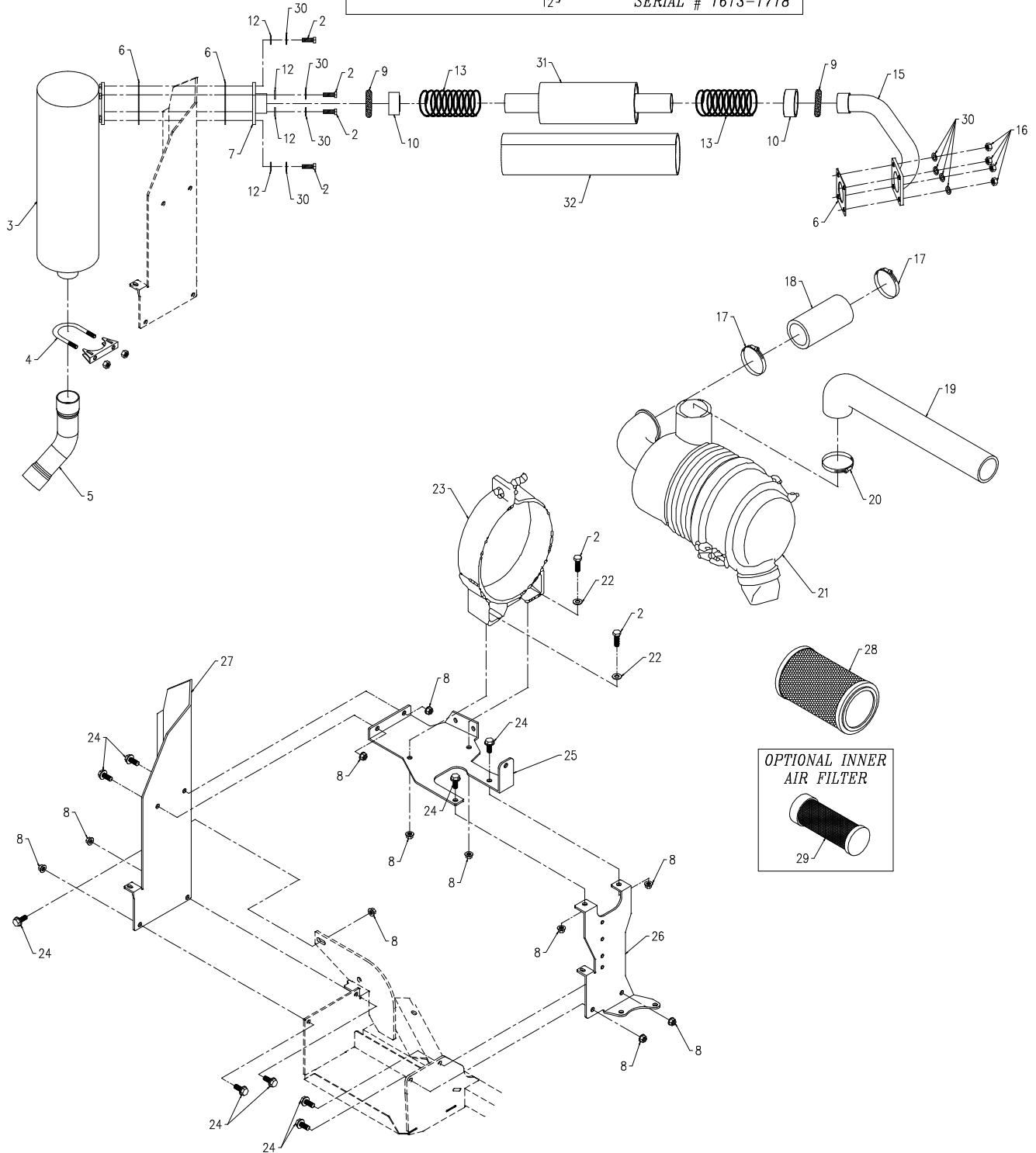
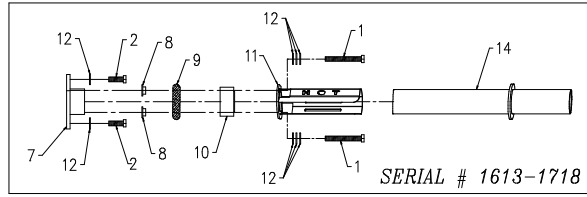
ENGINE

Engine Drive

REF.	PART NO.	DESCRIPTION	QTY.
1	92.10	NUT, 5/8-11 USS	1
2	95.10	WASHER, FLAT 5/8 SAE	1
3	85.B0065	BUSHING, 5/8 ID X 13/16 OD	2
4	40.0346	IDLER ARM, DRIVE BELT ENGINE	1
5	90.1048	BOLT, 5/8-11 USS X 6	1
6	90.0614	BOLT, 3/8-16 USS X 1 3/4	1
7	95.06	WASHER, FLAT 3/8 SAE	3
8	83.0037	PULLEY, IDLER FLAT 4" X 3/8	1
9	99.SF06	NUT, SF 3/8-16 USS	1
10	41.0100	SPRING, TORSION 1-5/8 X 6-1/2	1
11	99.B0101	WASHER, .6561DX 1.500D X 1/4T	1
12	83.0052	PULLEY, 7-13/16 25 MM STR BORE	1
13	81.B062	BELT, B62	1
14	83.0053	PULLEY, 7-1/2", 4.171 BORE	1
15	95.05	WASHER, FLAT 5/16 SAE	5
16	96.05	WASHER, LOCK 5/16	5
17	99.M0018	BOLT, M8 X 1.25 X 60MM	5
18	99.E0076	NUT, JAM 5/8-11 USS	1
19	64.1512	BRACKET, SPRING MOUNT	2

ENGINE

ILLUSTRATED DRAWING Air Intake & Exhaust



ENGINE

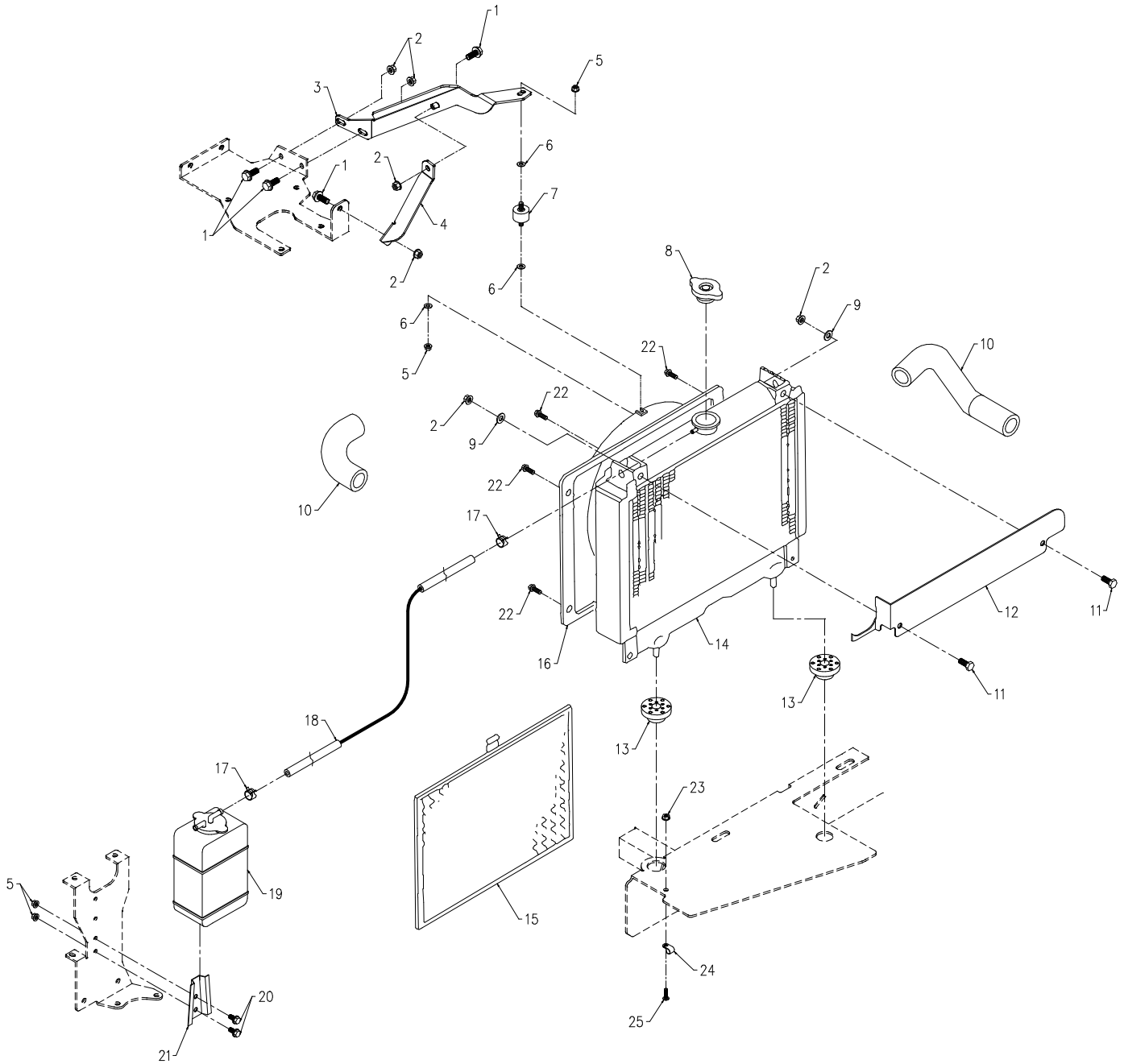
Air Intake & Exhaust

REF.	PART NO.	DESCRIPTION	QTY.
1	90.0520-2	.BOLT, 5/16-18 X 2-1/2 ALL THRD (Serial # 1613-1718)	2
2	90.0508	.BOLT, 5/16-18 USS X 1	6
3	13.0235	.MUFFLER, 3200 EX. CONDITIONER	1
4	11.0039	.CLAMP, EXH. 5/16 X 1 1/2 ASM.	1
5	13.0223	.TUBE, EXHAUST PIPE 7-5/8 (Serial # 1613-1718)	1
5	13.0238	.SILENCER, EXHAUST 1-1/2 ID (Serial # 1719-)	1
6	13.0173	.GASKET, EXHAUST/MUFFLER VANG	3
7	64.1296	.EXHAUST, MUFFLER TUBE	1
8	99.SF05	.NUT, SF 5/16-18 USS	11
9	06.0052-6IN	.PACKING, 1/4 FIBERGLAS KNITTED X 6"	2
10	14.0018	.CONNECTOR, EXHAUST COLLAR	2
11	60.1049	.SHIELD, EXHAUST LE3200 (Serial # 1613-1718)	1
12	95.05	.WASHER, FLAT 5/16 SAE	4
13	41.0069	.SPRING, EXHAUST HIGH TEMP SS	2
14	13.0224	.TUBE, FLOATING EXHAUST (Serial # 1613-1718)	1
15	64.1301	.EXHAUST, MANIFOLD TUBE	1
16	13.0166	.LOCKNUT, EXHAUST 8 MM	4
17	11.0044	.CLAMP, HOSE S/S 1-9/16- 2-1/2	2
18	13.0225	.HOSE, AIR FILTER OUTLET	1
19	14.0027	.HOSE, AIR FILTER INLET	1
20	11.0043	.CLAMP, HOSE S/S 1-5/16 - 2-1/4	1
21	13.0218	.FILTER, AIR	1
22	95.05	.WASHER, FLAT 5/16 SAE	2
23	13.0219	.CLAMP, AIR FILTER	1
24	99.SF0506	.BOLT, SF 5/16-18 USS X 3/4	9
25	64.1284	.BRACKET, AIR FILTER	1
26	64.1287	.BRACKET, FUEL FILTER	1
27	64.1278	.MOUNT, MUFFLER	1
28	13.0226	.FILTER, AIR OUTER ELEMENT	1
29	13.0227**	.FILTER, AIR - INNER ELEMENT**	1
30	96.05	.WASHER, LOCK 5/16	8
31	13.0237	.MUFFLER, 3200 CROSSTUBE EX (Serial # 1719-)	1
32	44.0299	.INSULATION, 3" DIA EXH, 11" L (Serial # 1719-)	1

** Optional inner element.

ENGINE

ILLUSTRATED DRAWING Cooling System



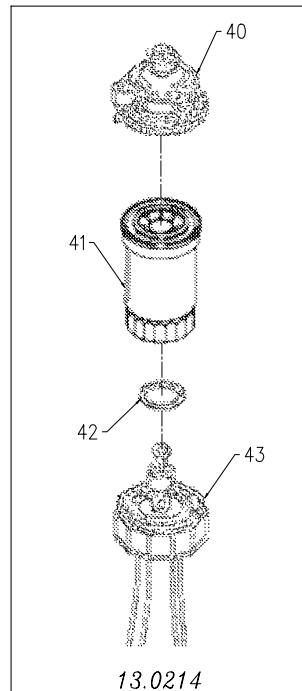
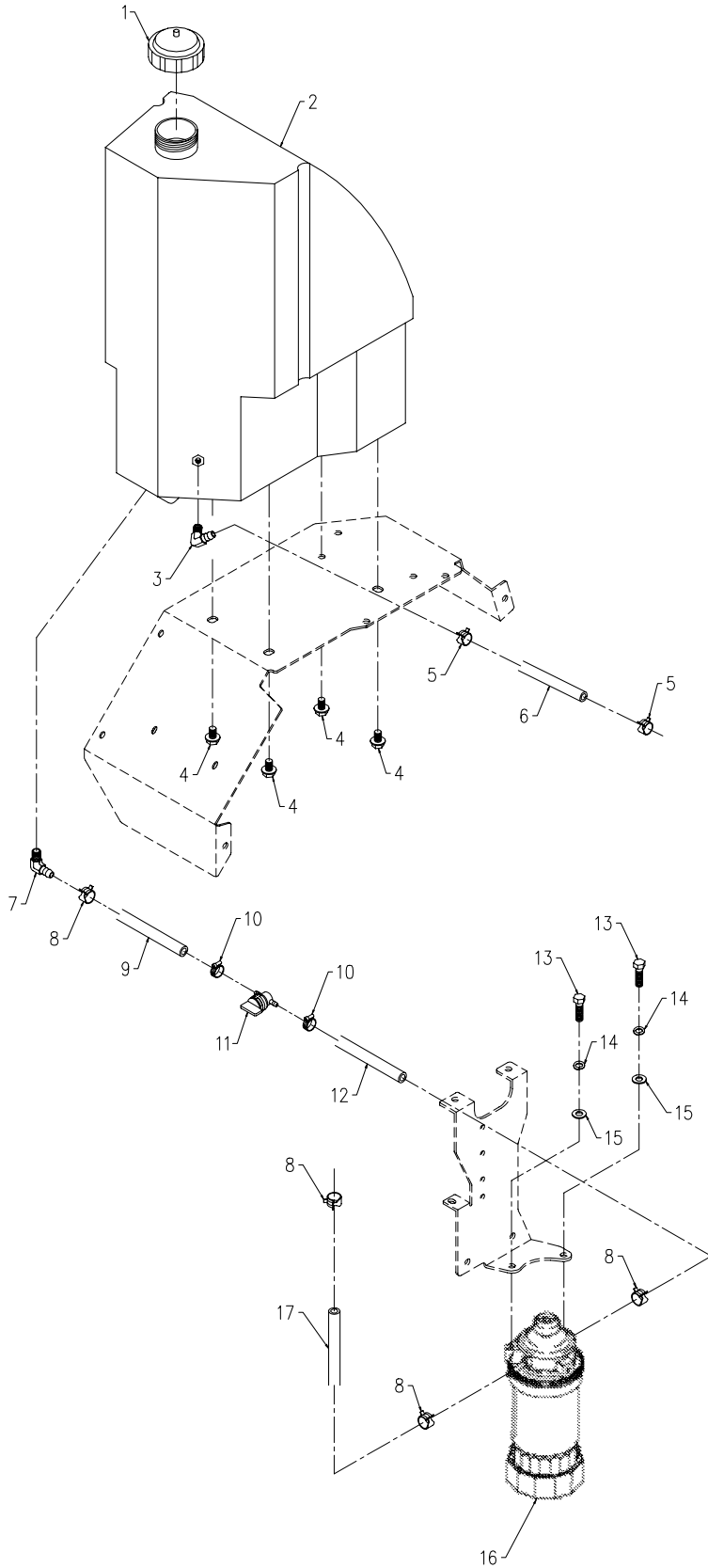
ENGINE

Cooling System

REF.	PART NO.	DESCRIPTION	QTY.
1	99.SF0506	.BOLT, SF 5/16-18 USS X 3/4	4
2	99.SF05	.NUT, SF 5/16-18 USS	6
3	64.1289	.BRACKET, RADIATOR BRACE (Serial # 1613-1959)	1
3	64.1657	.BRACKET, RADIATOR BRACE (Serial # 1960-)	1
4	64.1288	.BRACKET, RADIATOR SUPPORT (Serial # 1613-1959)	1
4	64.1656	.BRACKET, RADIATOR SUPPORT (Serial # 1960-)	1
5	99.SF04	.NUT, SF 1/4-20 USS	4
6	94.04	.WASHER, FLAT 1/4 USS	3
7	05.0051	.ISOLATOR, 1/4-20 X 1/2 X 1	1
8	47.0204	.CAP, RADIATOR VANG. 13#	1
9	95.05	.WASHER, FLAT 5/16 SAE	2
10	13.0216	.HOSE, RADIATOR 47.0251 UP&LOW	1
11	90.0506	.BOLT, 5/16-18 USS X 3/4	2
12	64.1302	.BRACKET, AIR CLEANER HOSE	1
13	05.0107	.ISOLATOR, 9/16 ID X 1-29/32 OD	2
14	47.0251	.RADIATOR, VANGUARD 23.6HP	1
15	47.0252	.SCREEN, RADIATOR FOR 47.0251	1
16	13.0215	.SHROUD, RADIATOR 47.0251	1
17	11.0049	.CLAMP, HOSE-BAND 1/2 OD HOSE	2
18	27.A04-15IN	.HOSE, NEOP BLACK 1/4 X 7/16 X 15"	1
19	47.0187	.TANK, COOLANT RECOVERY	1
20	99.SF0404	.BOLT, SF 1/4-20 X 1/2	2
21	64.0923	.MOUNT, WATER BOTTLE KT	1
22	99.M0002	.BOLT, M6 X 1.00 X 16 ZP	4
23	99.E0035	.NUT, SRF #10-32	1
24	30.0140	.CLAMP, WIRE MT 3/8 NYLON BLK	1
25	99.K0062	.MACHINE SCREW, #10-32 X 1/2	1

ENGINE

ILLUSTRATED DRAWING Fuel System



ENGINE

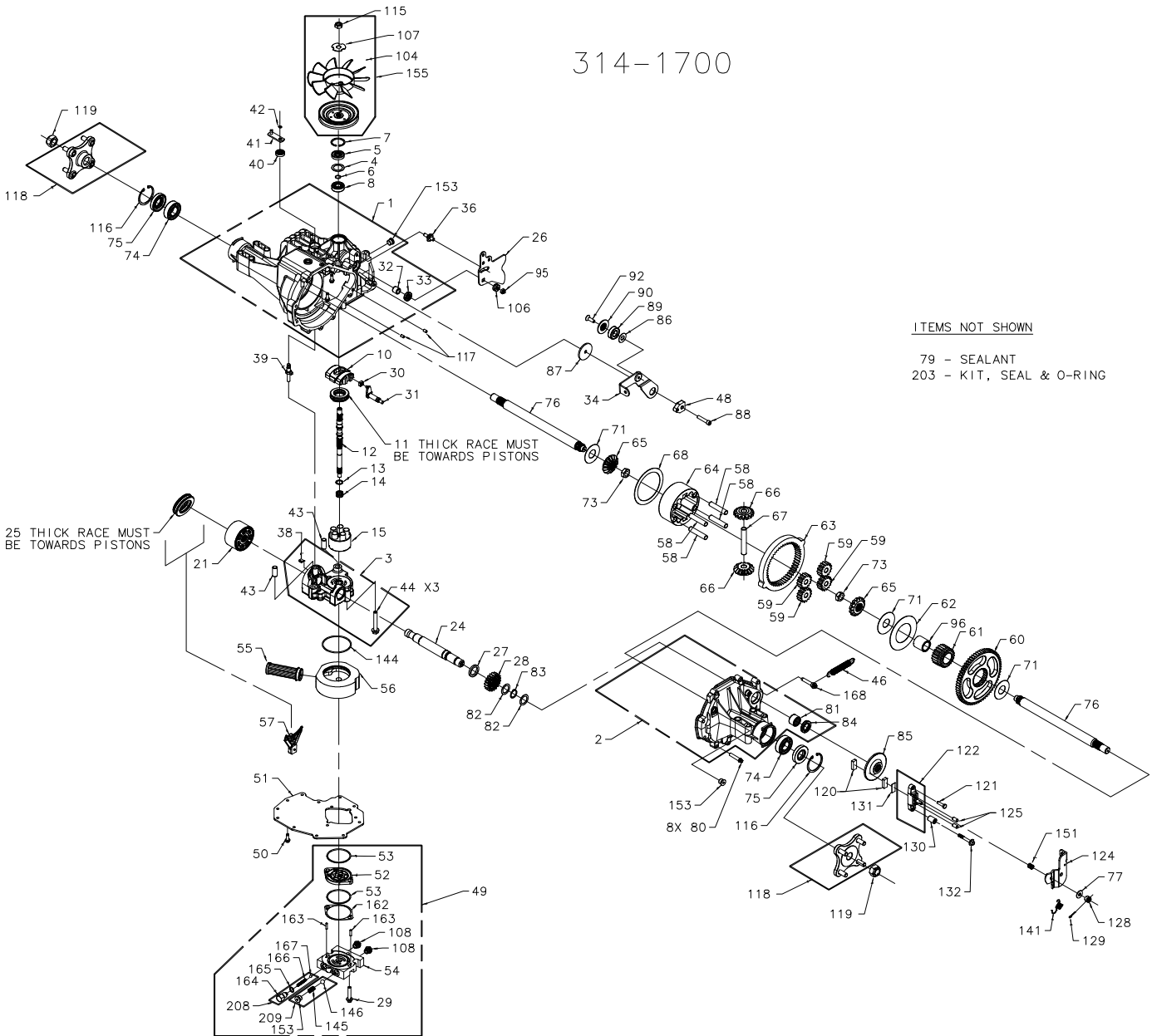
Fuel System

REF.	PART NO.	DESCRIPTION	QTY.
1	47.0148	.CAP, GAS 2-1/4" HOODED VENT	1
2	47.0266	.TANK, FUEL 6 GAL LE31/3200	1
3	29.BF04MP0290-1	.FITTING B. 1/4 BRB 1/8 NPT 90	1
4	99.SF0504	.BOLT, SRF 5/16-18USS X 1/2	4
5	11.0049	.CLAMP, HOSE-BAND 1/4X1/2 HOSE	2
6	27.F04-14.5IN	.HOSE, FUEL LINE X 1/4 /FT X 14-1/2"	1
7	29.BF05MP0290-1	.FITTING B. 5/16 BRB 1/8 NPT 90	1
8	11.0048	.CLAMP, HOSEBAND 5/16X9/16 HOSE.	4
9	27.F05-4IN	.HOSE, FUEL LINE X 5/16 /FT X 4"	1
10	11.0038	.CLAMP, HOSE S/S 7/32 - 5/8	2
11	47.0265	.VALVE, FUEL SHUT-OFF	1
12	27.F05-23IN	.HOSE, FUEL LINE X 5/16 /FT X 23"	1
13	99.M0005	.BOLT, M8 X 1.25 X 20	2
14	96.05	.WASHER, LOCK 5/16	2
15	95.05	.WASHER, FLAT 5/16 SAE	2
16	13.0214	.PUMP, FUEL WITH FILTER	1
17	27.F05-30IN	.HOSE, FUEL LINE X 5/16 /FT X 30"	2
40	13.820344	.FILTER, FUEL COVER	1
41	13.820311	.FILTER, FUEL MAIN.	1
42	13.820348	.SEAL- ORING FUEL FILTER SENSOR	1
43	13.820347	.SENSOR, FUEL FILTER	1

AXLES, WHEELS, & DRIVES

ILLUSTRATED DRAWING Front Axle

314-1700



AXLES, WHEELS, & DRIVES

Front Axle

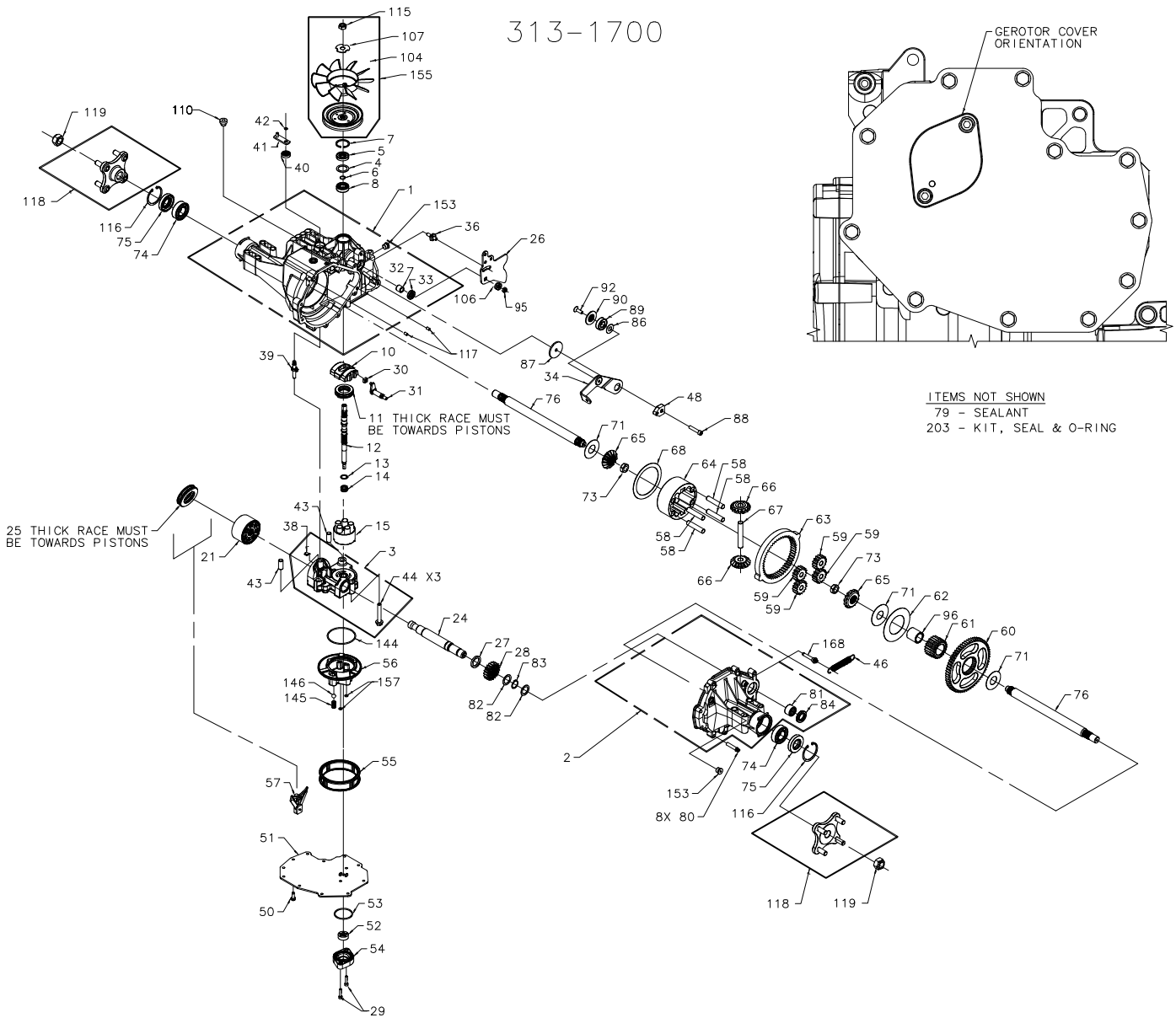
REF.	PART NO.	DESCRIPTION	QTY.
4	51.0079	.SPACER, .98 X 1.37 X .04	1
6	04.0038	.RING SET, 59 EXT WIRE	1
12	51.0077	.SHAFT, INPUT AUX	1
13	51.0078	.WASHER, THRUST .59 X .79 X .04	1
38	51.0035	.PLATE, BYPASS	1
41	51.0036	.ARM, BYPASS	1
44	51.0037	.SCREW, 3/8-24 X 2.5	3
49	51.0054	.KIT, MANIFOLD AUXILIARY	1
51	51.0080	.PLATE, AUX COVER	1
53	26.0022	.O-RING, .103 X 2.425	2
55	51.0057	.FILTER, FRONT TRANSAXLE LT3000	1
56	51.0083	.MANIFOLD, CHARGE	1
74	55.0056	.BEARING, 1" X 52MM X 15MM	2
75	89.0068	.SEAL, LIP 25MM X 52MM X 10MM	2
76	51.0039	.SHAFT, AXLE	2
79	51.0040	.SEALANT	1
80	51.0041	.SCREW, TORX HEAD 5/16-18	8
84	89.0070	.SEAL, LIP .875 X 1.38 X .25	1
85	53.0147	.DISC, BRAKE	1
104	51.0043	.FAN (Serial # 1001-1924)	1
104	51.0066	.FAN, LH TRANSAXLES (Serial # 1925-)	1
118	51.0046	.HUB ASSEMBLY	2
119	99.A12NF	.LOCKNUT, STOVER 3/4-16 SAE	2
120	53.0145	.PAD, BRAKE DISC	2
131	53.0146	.PLATE, BRAKE DISC PAD	1
153	51.0068	.PLUG, 9/16-18 METAL	3
155	51.0048	.KIT, FAN/PULLEY ASSEMBLY (Serial # 1001-1924)	1
155	51.0067	.KIT, FAN/PULLEY (Serial # 1925-)	1
162	51.0052	.SHIM	1
166	51.0081	.SPRING, RELIEF HYDROGEAR	1
203	51.0049	.KIT, SEAL	1
210	51.0061	.TRANSAXLE, FRONT HIGH SPEED	1

Listed items are stocked. Check availability of unlisted parts.

AXLES, WHEELS, & DRIVES

ILLUSTRATED DRAWING Rear Axle

313-1700



AXLES, WHEELS, & DRIVES

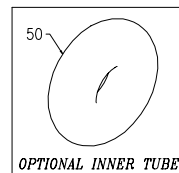
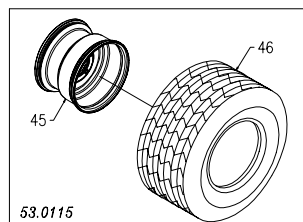
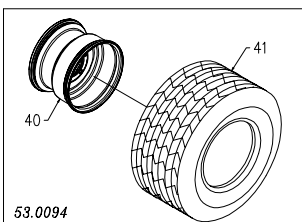
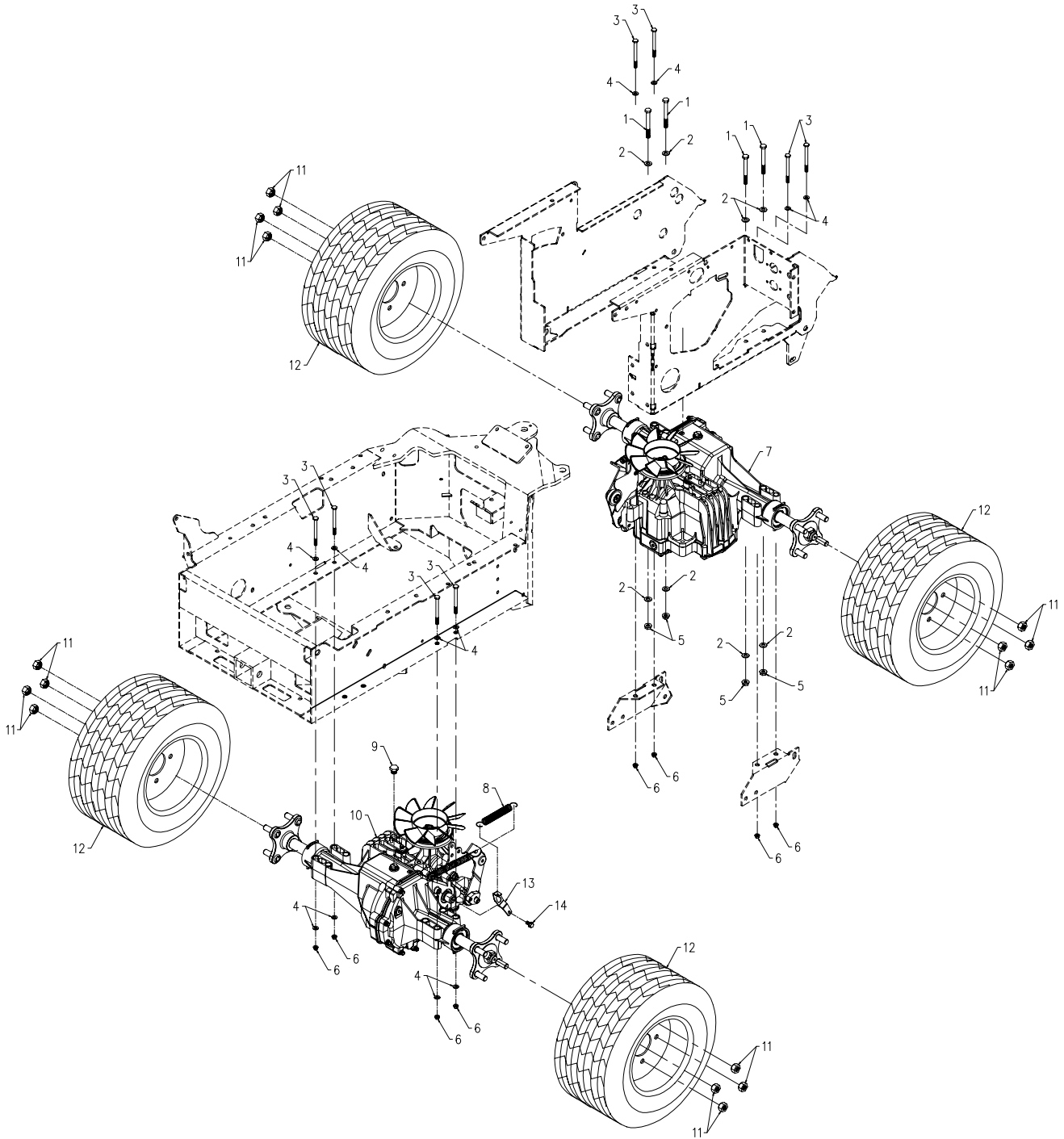
Rear Axle

REF.	PART NO.	DESCRIPTION	QTY.
4	51.0079	.SPACER, .98 X 1.37 X .04	1
6	04.0038	.RING SET, 59 EXT WIRE	1
12	51.0076	.SHAFT, INPUT	1
13	51.0078	.WASHER, THRUST .59 X .79 X .04	1
24	51.0034	.SHAFT, MOTOR	1
38	51.0035	.PLATE, BYPASS	1
41	51.0036	.ARM, BYPASS	1
44	51.0037	.SCREW, 3/8-24 X 2.5	3
55	51.0038	.FILTER, REAR TRANSAXLE LT3000	1
74	55.0056	.BEARING, 1" X 52MM X 15MM	2
75	89.0068	.SEAL, LIP 25MM X 52MM X 10MM	2
76	51.0039	.SHAFT, AXLE	2
79	51.0040	.SEALANT	1
80	51.0041	.SCREW, TORX HEAD 5/16-18	8
84	89.0070	.SEAL, LIP .875 X 1.38 X .25	1
104	51.0043	.FAN (Serial # 1001-1924)	1
104	51.0066	.FAN, LH TRANSAXLES (Serial # 1925-)	1
110	25.6408-06-SP	.FITTING, O-RING PLUG 3/8 DRILL	1
118	51.0046	.HUB ASSEMBLY	2
119	99.A12NF	.LOCKNUT, STOVER 3/4-16 SAE	2
153	51.0068	.PLUG, 9/16-18 METAL	2
155	51.0048	.KIT, FAN/PULLEY ASSEMBLY (Serial # 1001-1924)	1
155	51.0067	.KIT, FAN/PULLEY (Serial # 1925-)	1
203	51.0049	.KIT, SEAL	1
210	51.0060	.TRANSAXLE, REAR HIGH SPEED	1

Listed items are stocked. Check availability of unlisted parts.

AXLES, WHEELS, & DRIVES

ILLUSTRATED DRAWING Axle Mount & Tires



AXLES, WHEELS, & DRIVES

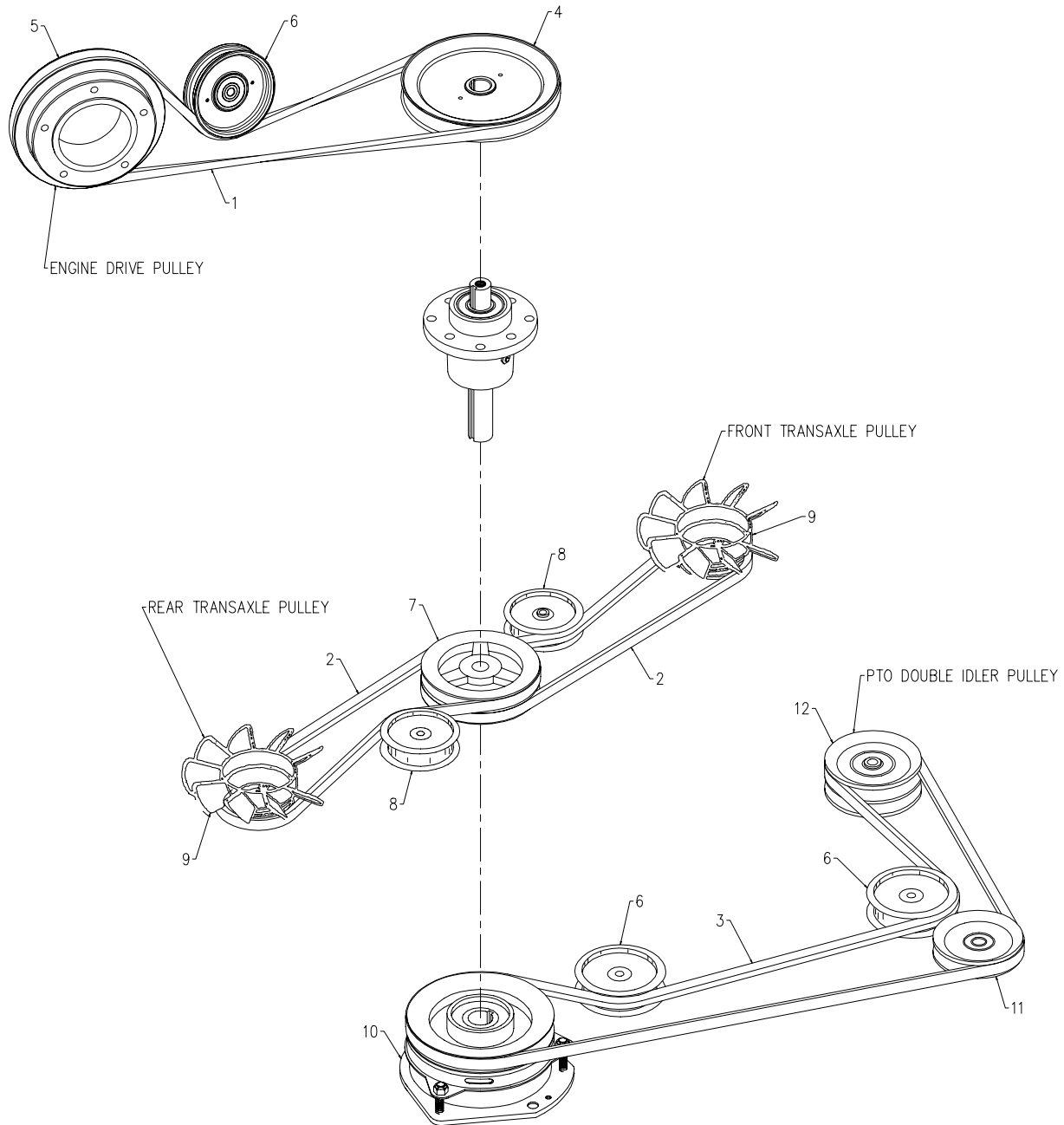
Axle Mount & Tires

REF.	PART NO.	DESCRIPTION	QTY.
1	90.0524	.BOLT, 5/16-18 USS X 3	4
2	95.05	.WASHER, FLAT 5/16 SAE	8
3	90.0424	.BOLT, 1/4-20 USS X 3	8
4	95.04	.WASHER, FLAT 1/4 SAE	12
5	99.SF05	.NUT, SF 5/16-18 USS	4
6	99.SF04	.NUT, SF 1/4-20 USS	8
7	51.0061	.TRANSAXLE, FRONT 3000	1
8	41.0064	.SPRING, EXT 3/4 X 3-1/2 OA LG	1
9	25.6408-06-SP	.FITTING, O-RING PLUG 3/8 DRILL	1
10	51.0060	.TRANSAXLE, REAR 3000	1
11	99.E0001	.NUT, LUG 1/2-20 SAE	16
12	53.0094*	.WHEEL, ASM 18 X 10.50 X 10 4B	4
12	53.0115	.WHEEL, ASM 18X11X10 KNOB RH/LH	4
13	64.1434	.BRACKET, SPRING RETAINER	1
14	99.SF0404	.BOLT, SF 1/4-20 X 1/2	1
40	53.0106	.RIM, 10 X 8.5 4-BOLT LT	1
41	53.0117	.TIRE, LT STD 18X10.5X10 NO RIM	1
45	53.0106	.RIM, 10 X 8.5 4-BOLT LT	1
46	53.0116	.TIRE, KNOB 18X11X10 RH/LH	1
50	53.0143	.TUBE, INNER 18 X 11 X 10	4

*53.0094 is the standard wheel assembly.

AXLES, WHEELS, & DRIVES

ILLUSTRATED DRAWING Belt & Pulley Diagram



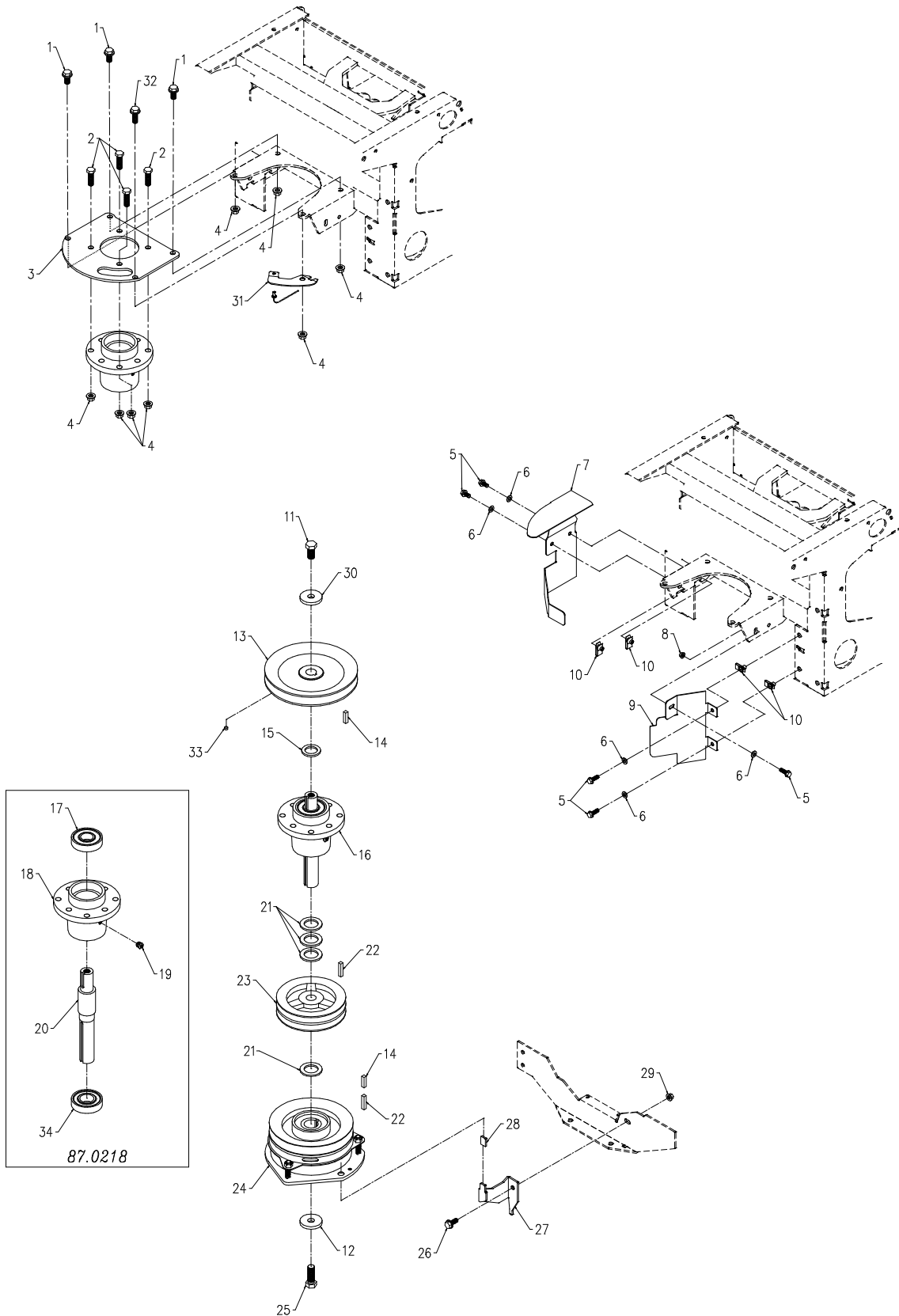
AXLES, WHEELS, & DRIVES

Belt & Pulley Diagram

REF.	PART NO.	DESCRIPTION	QTY.
1	81.B062	.BELT, B62	1
2	81.A041	.BELT, A41	2
3	81.B089	.BELT, B89	1
4	83.0052	.PULLEY, 7-13/16 25 MM STR BORE	1
5	83.0053	.PULLEY, 7-1/2", 4.171 BORE	1
6	83.0037	.PULLEY, IDLER FLAT 4" X 3/8	3
7	83.2AK5618	.PULLEY, 2AK 5.45" 1-1/8 BORE	1
8	83.0013	.PULLEY, IDLER FLAT 3/8 X 3 1/2	2
9	51.0048	.KIT, FAN/PULLEY ASSEMBLY	2
10	37.0048	.CLUTCH/BRAKE, ELECTRIC OGURA	1
11	83.0038	.PULLEY, V-IDLER 4-1/4 X 3/8 ID	1
12	83.0039	.PULLEY, IDLER 2 GROOVE ASM	1

AXLES, WHEELS, & DRIVES

ILLUSTRATED DRAWING Center Shaft Assembly



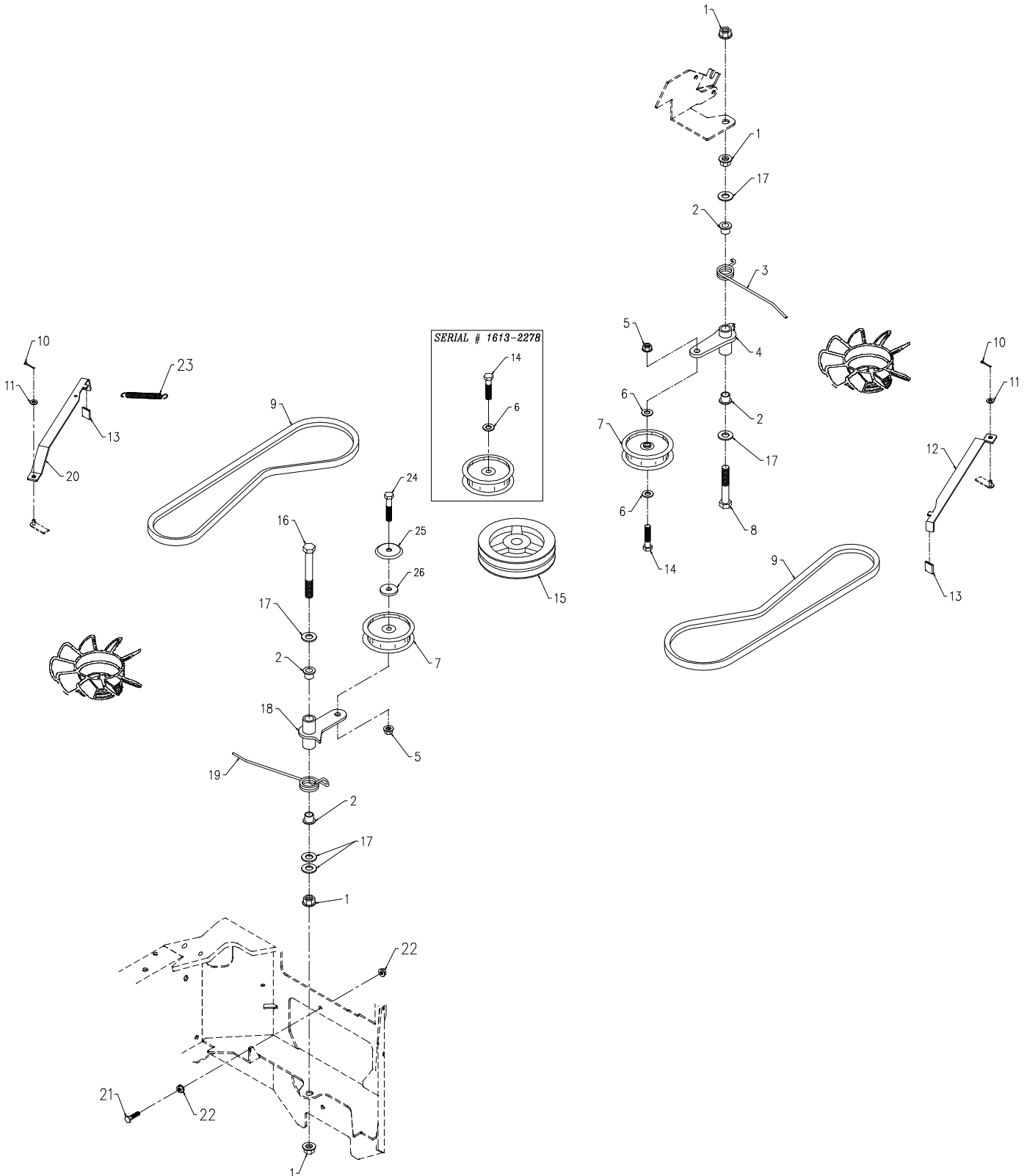
AXLES, WHEELS, & DRIVES

Center Shaft Assembly

REF.	PART NO.	DESCRIPTION	QTY.
1	99.SF0606	.BOLT, SF 3/8-16 USS X 3/4	3
2	90.0610	.BOLT, 3/8-16 USS X 1 1/4	4
3	64.1263	.PLATE, CENTER HUB MOUNTING	1
4	99.SF06	.NUT, SF 3/8-16 USS	8
5	99.SF0406	.BOLT, SF 1/4-20 X 3/4	5
6	95.04	.WASHER, FLAT 1/4 SAE	5
7	60.0988	.SHIELD, VERTICAL SHAFT LEFT	1
8	99.SF04	.NUT, SF 1/4-20 USS	1
9	60.0989	.SHIELD, VERTICAL SHAFT RIGHT	1
10	99.E0046	.NUT, "U" 1/4-20 EXTRUDED	4
11	91.0808	.BOLT, 1/2-20 SAE X 1	1
12	99.B0064	.WASHER, 1/4 X 1.75 X .531 HOLE	1
13	83.0052	.PULLEY, 7-13/16 25 MM STR BORE	1
14	85.K0408	.KEY, 1/4 X 1	2
15	99.B0013	.WASHER, MACH 1" ID 14 GA	1
16	87.0218	.SPINDLE, ASM LE CENTER SHAFT	1
17	55.0057	.BEARING, BALL X2 SIDED SHEILD	1
18	87.0209-1	.SPINDLE, HOUSING	1
19	29.GF0017	.RELIEF FITTING	1
20	87.0218-2	.SHAFT, LE CENTER SPINDLE	1
21	99.B0059	.WASHER, MACH 1 1/8 X 10 GA	4
22	85.K0410	.KEY, 1/4 X 1 1/4	2
23	83.2AK5618	.PULLEY, 2AK 5.45" 1-1/8 BORE	1
24	37.0048	.CLUTCH/BRAKE, ELECTRIC OGURA	1
25	91.0812	.BOLT, 1/2-20 SAE X 1 1/2	1
26	99.SF0506	.BOLT, SF 5/16-18 USS X 3/4	1
27	64.1265	.TORQUE ARM, CLUTCH	1
28	06.0044	.CAP, PLASTIC 1/8 X 1/2 X 7/8	1
29	99.SF05	.NUT, SF 5/16-18 USS	1
30	99.B0095	.WASHER, .531 IDX1.75 OD 3/16TK	1
31	64.1431	.MOUNT, TACH PICK-UP	1
32	99.SF0608	.BOLT, SF 3/8-16 USS X 1	1
33	47.0276	.MAGNET, TACH SENSOR	1
34	55.0070	.BEARING, 30MM X 62MM X 16MM	1

AXLES, WHEELS, & DRIVES

ILLUSTRATED DRAWING Axle Drive



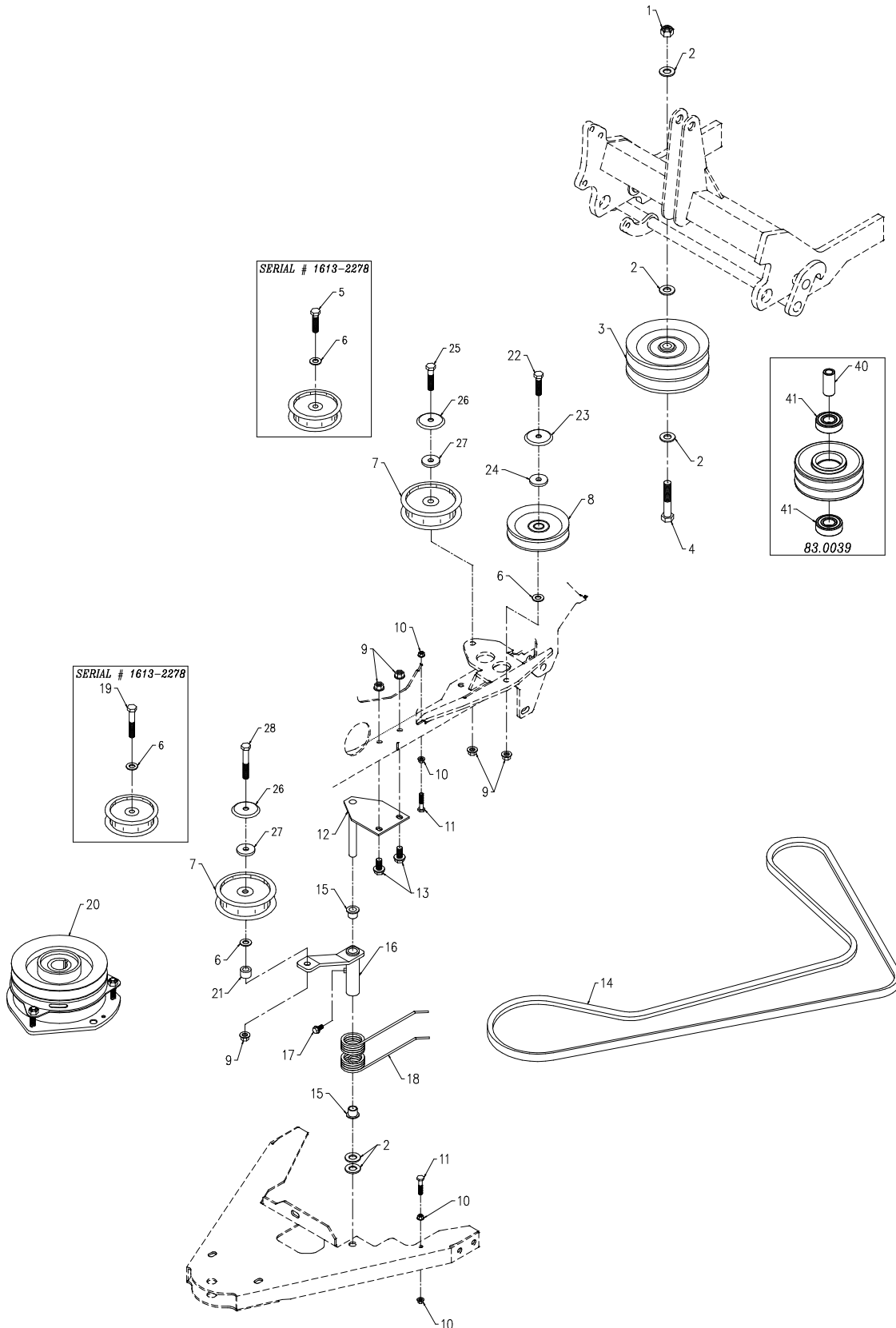
AXLES, WHEELS, & DRIVES

Axle Drive

REF.	PART NO.	DESCRIPTION	QTY.
1	99.SF08	.NUT, SF 1/2-13 USS	4
2	85.B0027	.BUSHING, 1/2 ID X 5/8 OD X 5/8	4
3	41.0083	.SPRING, TORSION RH 1-3/16 IDX7	1
4	40.0356	.IDLER ARM, DRIVE BLT FRNT AXLE	1
5	99.SF06	.NUT, SF 3/8-16 USS	2
6	95.06	.WASHER, FLAT 3/8 SAE	3
7	83.0013	.PULLEY, IDLER FLAT 3/8 X 3 1/2	2
8	90.0824	.BOLT, 1/2-13 USS X 3	1
9	81.A041	.BELT, A41	2
10	02.CP0306	.COTTER PIN, 3/32 X 3/4	2
11	95.04	.WASHER, FLAT 1/4 SAE	2
12	42.0510	.LINKAGE, FRONT AXLE NEUTRAL	1
13	06.0044	.CAP, PLASTIC 1/8 X 1/2 X 7/8	2
14	90.0614	.BOLT, 3/8-16 USS X 1 3/4	2
15	83.2AK5618	.PULLEY, 2AK 5.45" 1-1/8 BORE	1
16	90.0832	.BOLT, 1/2-13 USS X 4	1
17	95.08	.WASHER, FLAT 1/2 SAE	5
18	40.0345	.IDLER ARM, DRIVE BELT REAR AXL	1
19	41.0084	.SPRING, TORSION LH 1-3/16 IDX7	1
20	42.0511	.LINKAGE, REAR AXLE NEUTRAL	1
21	90.0408	.BOLT, 1/4-20 USS X 1	1
22	99.SF04	.NUT, SF 1/4-20 USS	2
23	41.0086	.SPRING, EXT 3/8" OD X 4" LONG	1
24	90.0616	.BOLT, 3/8-16 USS X 2 (Serial # 2279-)	1
25	60.1056	.COVER, PULLEY (Serial # 2279-)	1
26	99.G0014	.WASHER, 3/8 USS FW .165 THK (SERIAL # 2279-)	1

AXLES, WHEELS, & DRIVES

ILLUSTRATED DRAWING PTO Drive



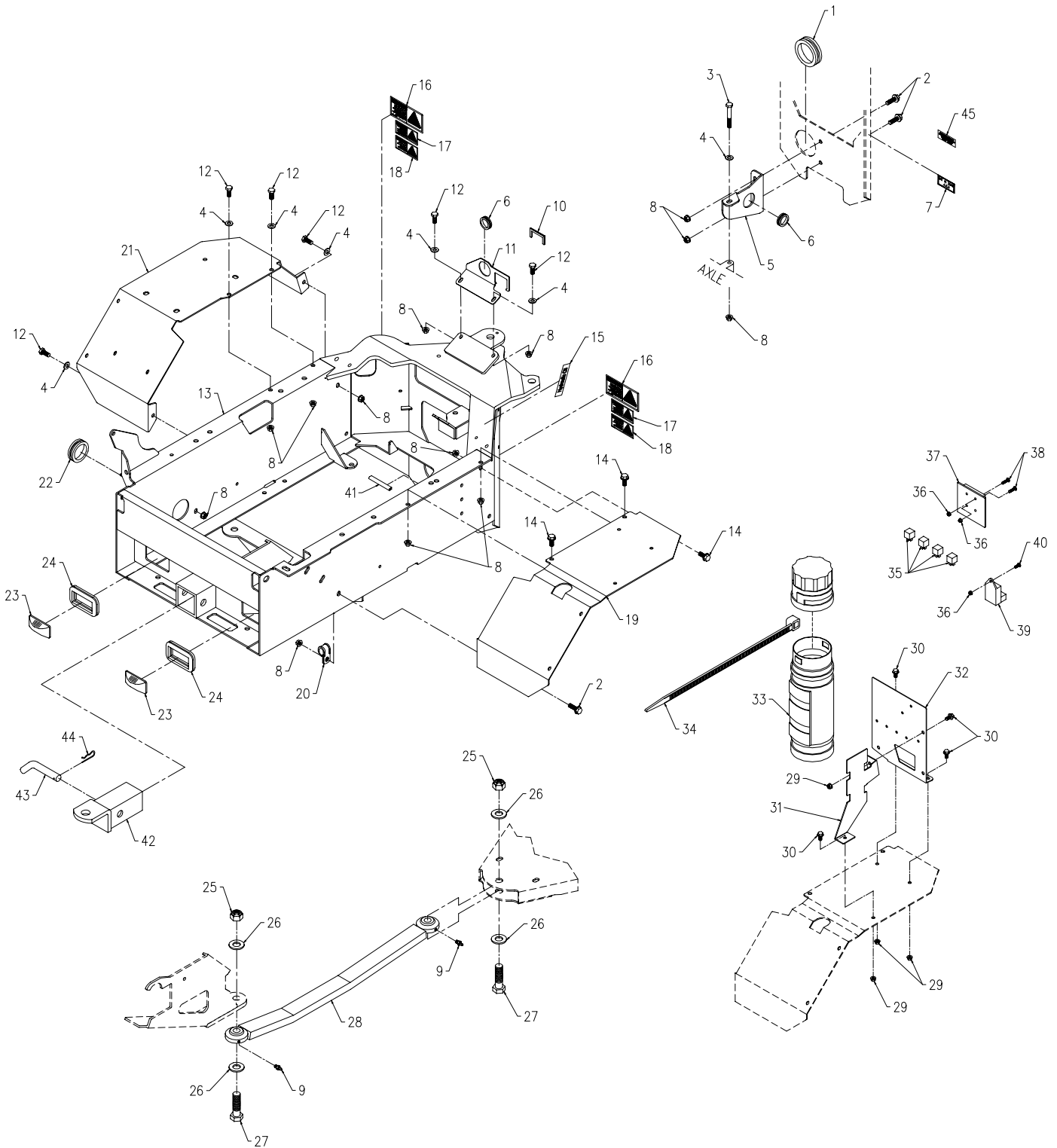
AXLES, WHEELS, & DRIVES

PTO Drive

REF.	PART NO.	DESCRIPTION	QTY.
1	99.A08	.LOCKNUT, STOVER 1/2-13 USS	1
2	95.08	.WASHER, FLAT 1/2 SAE	5
3	83.0039	.PULLEY, IDLER 2 GROOVE ASM.	1
4	90.0822	.BOLT, 1/2-13 USS X 2 3/4	1
5	90.0612	.BOLT, 3/8-16 USS X 1 1/2 (Serial # 1613-2278)	1
6	95.06	.WASHER, FLAT 3/8 SAE	4
7	83.0037	.PULLEY, IDLER FLAT 4" X 3/8	2
8	83.0038	.PULLEY, V-IDLER 4-1/4 X 3/8 ID	1
9	99.SF06	.NUT, SF 3/8-16 USS	5
10	99.SF04	.NUT, SF 1/4-20 USS	4
11	90.0410	.BOLT, 1/4-20 USS X 1 1/4	2
12	64.0820	.ANCHOR, PLATE-PTO IDLER	1
13	99.SF0606	.BOLT, SF 3/8-16 USS X 3/4	2
14	81.B089	.BELT, B89	1
15	85.B0027	.BUSHING, 1/2 ID X 5/8 OD X 5/8	2
16	40.0274	.IDLER ARM, PTO	1
17	99.SF0404	.BOLT, SF 1/4-20 X 1/2	1
18	41.0065	.SPRING, DOUBLE TORSION BLACK	1
19	90.0618	.BOLT, 3/8-16 USS X 2 1/4 (Serial # 1613-2278)	1
20	37.0048	.CLUTCH/BRAKE, ELECTRIC OGURA	1
21	64.0892	.SPACER, IDLER PULLEY	1
22	90.0614	.BOLT, 3/8-16 USS X 1-3/4	1
23	60.1056	.COVER, PULLEY	1
24	99.G0014	.WASHER, 3/8 USS FW .165 THK	1
25	90.0614	.BOLT, 3/8-16 USS X 1 3/4 (Serial # 2279-)	1
26	60.1056	.COVER, PULLEY (Serial # 2279-)	2
27	99.G0014	.WASHER, 3/8 USS FW .165 THK (Serial # 2279-)	2
28	90.0620	.BOLT, 3/8-16 USS X 2 1/2 (Serial # 2279-)	1
40	85.B0074	.BUSHING, DRIVE PULLEY	1
41	55.0042	.BEARING, BALL 20 MM X 47 MM	2

FRAMES & HITCH

ILLUSTRATED DRAWING Rear Frame



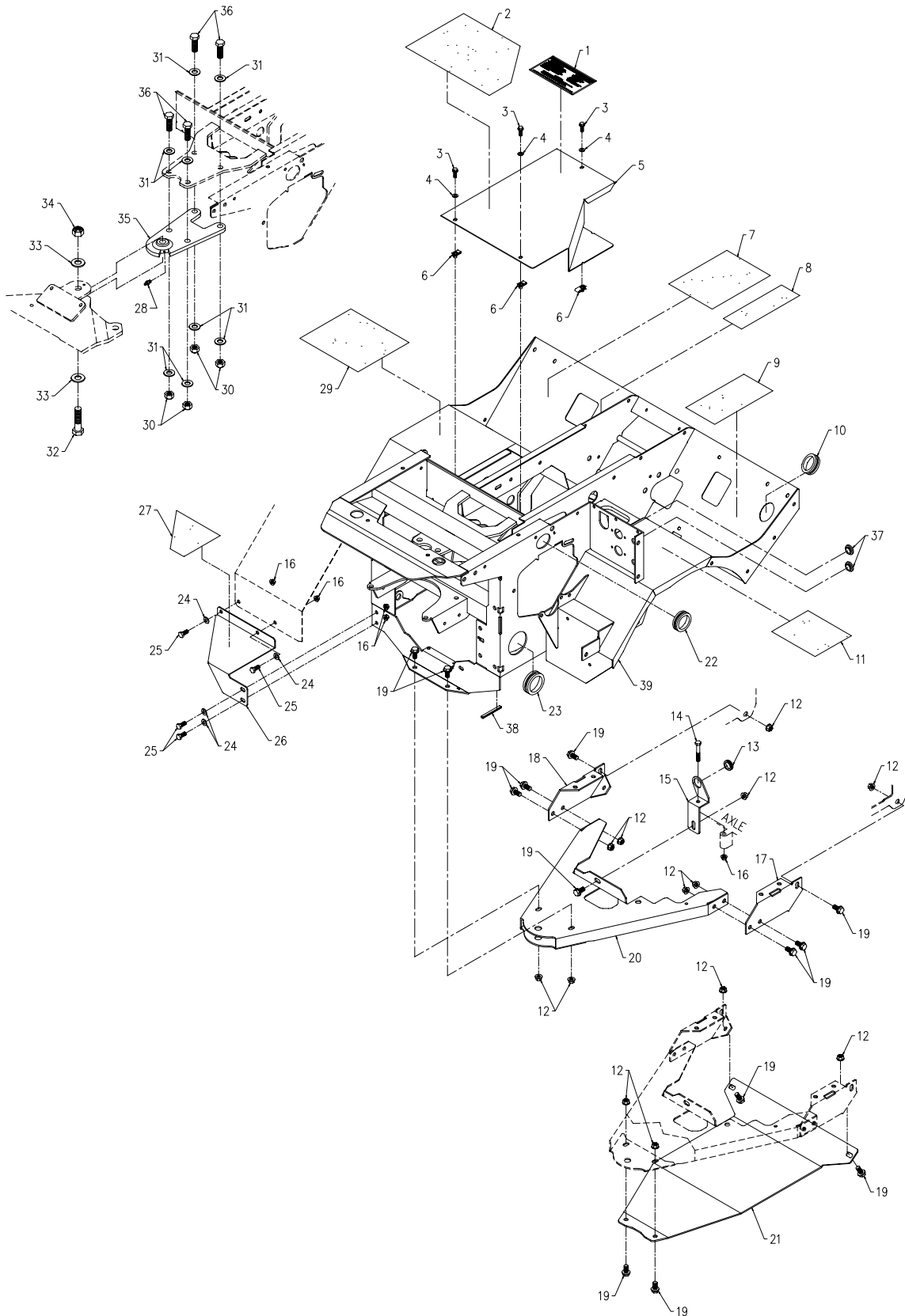
FRAMES & HITCH

Rear Frame

REF.	PART NO.	DESCRIPTION	QTY.
1	05.0056	.GROMMET, 2-1/8ID,2-7/8OD,7/16T	1
2	99.SF0508	.BOLT, SF 5/16-18 USS X 1	3
3	90.0518	.BOLT, 5/16-18 USS X 2 1/4	1
4	95.05	.WASHER, FLAT 5/16 SAE	7
5	62.1273	.MOUNT, TRANSAXLE REAR	1
6	05.0044	.GROMMET, 1 ID, 1-3/4OD, 3/8THK	2
7	00.0100	.DECAL, MADE IN USA	1
8	99.SF05	.NUT, SF 5/16-18 USS	13
9	29.GF0001	.GREASE FTG, 1/4 SAE ST	2
10	06.0057-3IN	.TRIM, EDGE GUARD 5/16" BLACK X 3"	1
11	60.1016	.COVER, CENTER PIVOT	1
12	90.0506	.BOLT, 5/16-18 USS X 3/4	6
13	62.1266	.FRAME, REAR	1
14	99.SF0506	.BOLT, SF 5/16-18 USS X 3/4	3
15	00.0148	.DECAL, HYD. OIL 3-7/16 X 3/4	1
16	00.0220	.DECAL, GENERAL SAFETY	2
17	00.0216	.DECAL, WARNING MOVING PARTS	2
18	00.0218	.DECAL, WARNING PINCH POINT	2
19	60.0977	.FENDER, REAR RIGHT	1
20	11.0046	.CLAMP, CUSHIONED METAL 1/2"	1
21	60.0975	.FENDER, REAR LEFT	1
22	05.0040	.GROMMET,1 1/2ID,2-3/8OD,3/32T	1
23	33.0045	.LIGHT, SEALED MARKER RED	2
24	05.0104	.GROMMET, MARKER LIGHT	2
25	99.A10	.LOCKNUT, STOVER 5/8-11 USS	2
26	95.10	.WASHER, FLAT 5/8 SAE	4
27	90.1018	.BOLT, 5/8-11 USS X 2 1/4	2
28	42.0546	.LINK, FRONT/REAR CONNECTOR	1
29	99.SF04	.NUT, SF 1/4-20 USS	4
30	99.SF0404	.BOLT, SF 1/4-20 X 1/2	4
31	64.1298	.BRACKET, MANUAL HOLDER	1
32	62.1268	.PANEL, ELECTRICAL	1
33	47.0243	.TUBE, MANUAL HOLDER - BLACK	1
34	30.0103	.TYTON TIE, #250 .5 X 20 BLACK	2
35	35.0103	.RELAY, 50 AMP 5 POLE	4
36	99.E0035	.NUT, SF #10-32	3
37	30.0185	.FUSE PANEL, 8 CIRCUIT ATC BLAD	1
38	99.K0059	.MACHINE SCREW, #10-32 X 1	2
39	13.0071	.TIMER, GLOW PLUG-VANGUARD	1
40	99.K0042	.MACHINE SCREW, 10-32 X 3/8	1
41	06.0050-4IN	.TRIM, TRIM LOC 1/2 X 3/16 X 4"	1
42	62.0968	.TUBE, RECEIVER HITCH	1
43	03.0014	.PIN, HITCH 5/8" X 3" USABLE	1
44	02.HP0524	.HAIRPIN, 5/32 X 3"	1
45	00.0200	.DECAL, US PATENT	1

FRAMES & HITCH

ILLUSTRATED DRAWING Front Frame



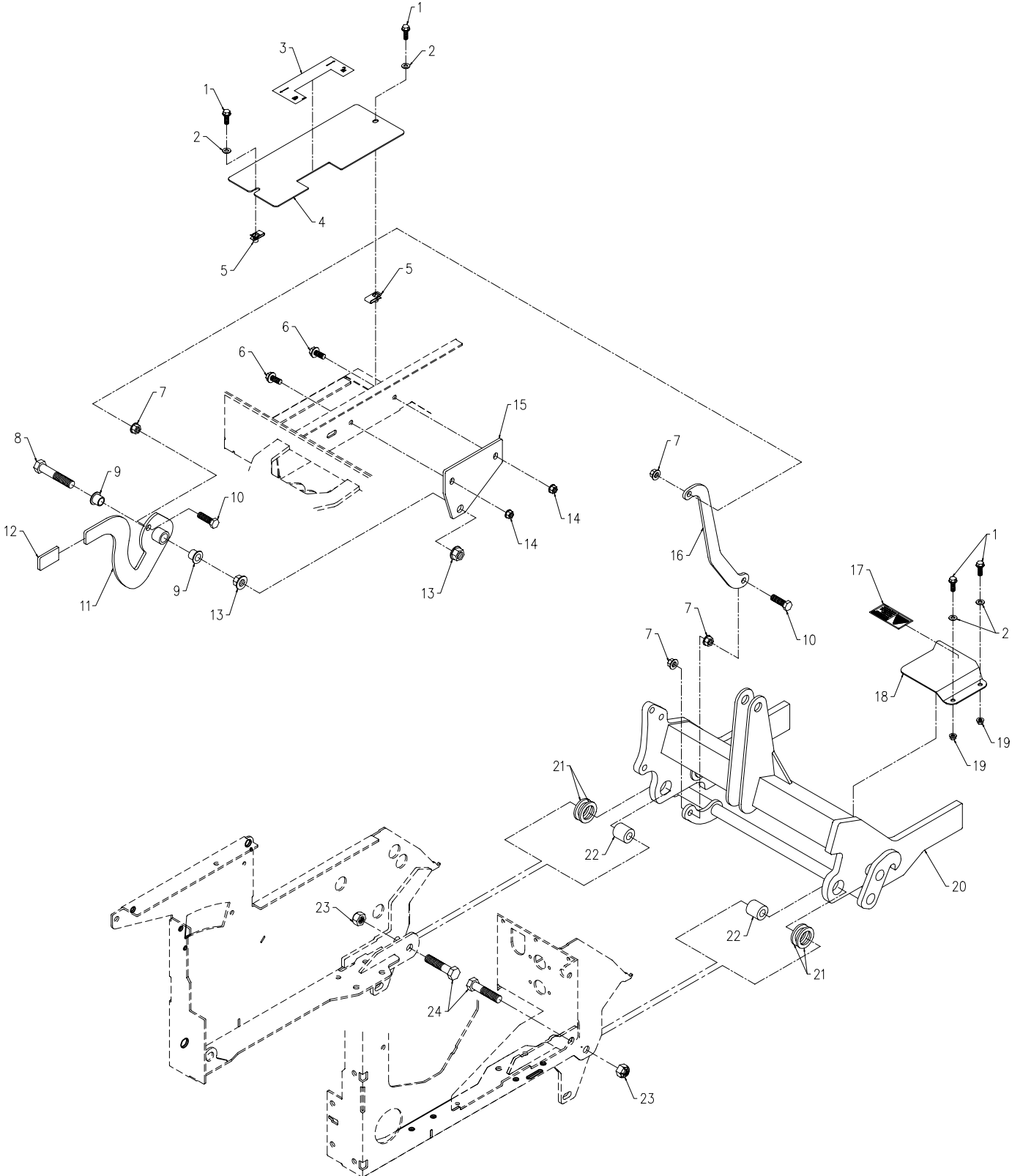
FRAMES & HITCH

Front Frame

REF.	PART NO.	DESCRIPTION	QTY.
1	00.0243	.DECAL, WARNING OPERATOR SAFETY	1
2	44.0238	.FLEX TREAD, TUNNEL ACCESS COVR.	1
3	99.SF0406	.BOLT, SF 1/4-20 X 3/4	3
4	99.SF04	.NUT, SF 1/4-20 USS	3
5	60.0968	.COVER, TUNNEL ACCESS	1
6	99.E0046	.NUT, "U" 1/4-20 EXTRUDED	3
7	44.0236	.FLEX TREAD, LEFT FOOT PLATE	1
8	44.0235	.FLEX TREAD, LEFT FOOT PLATE	1
9	44.0234	.FLEX TREAD, RIGHT FOOT PLATE	1
10	05.0071	.GROMMET,1-3/4ID,2-3/4OD,7/16T	1
11	44.0232	.FLEX TREAD, RIGHT FENDER	1
12	99.SF06	.NUT, SF 3/8-16 USS	13
13	05.0045	.GROMMET, 3/4ID,1 3/8OD,1/2THK	1
14	90.0516	.BOLT, 5/16-18 USS X 2	1
15	64.1266	.SUPPORT, FRONT AXLE TORQUE ARM	1
16	99.SF05	.NUT, SF 5/16-18 USS	5
17	64.1268	.ANCHOR, RIGHT FRONT SKID PLATE	1
18	64.1267	.ANCHOR, LEFT FRONT SKID PLATE	1
19	99.SF0606	.BOLT, SF 3/8-16 USS X 3/4	13
20	64.1258	.PLATE, BELLY BAR ANCHOR	1
21	64.1270	.PLATE, SKID	1
22	05.0036	.GROMMET, 1 1/2ID,2 1/8OD,9/16T	1
23	05.0056	.GROMMET, 2-1/8ID,2-7/8OD,7/16T	1
24	95.05	.WASHER, FLAT 5/16 SAE	4
25	90.0506	.BOLT, 5/16-18 USS X 3/4	4
26	64.1275	.BRACKET, FOOT STEP	1
27	44.0233	.FLEX TREAD, FOOT STEP	1
28	29.GF0001	.GREASE FTG, 1/4 SAE ST	1
29	44.0237	.FLEX TREAD, LEFT FENDER	1
30	99.A08	.LOCKNUT, STOVER 1/2-13 USS	4
31	95.08	.WASHER, FLAT 1/2 SAE	8
32	90.1020	.BOLT, 5/8-11 USS X 2 1/2	1
33	95.10	.WASHER, FLAT 5/8 SAE	2
34	99.A10	.LOCKNUT, STOVER 5/8-11 USS	1
35	64.1749	.PIVOT, CENTER MAIN	1
36	90.0812	.BOLT, 1/2-13 USS X 1 1/2	4
37	05.0109	.PLUG, 1" HOLE BLK PLASTIC	2
38	06.0050-4IN	.TRIM, TRIM LOC 1/2 X 3/16 X 4"	1
39	62.1258	.FRAME, FRONT	1

FRAMES & HITCH

ILLUSTRATED DRAWING Front Hitch



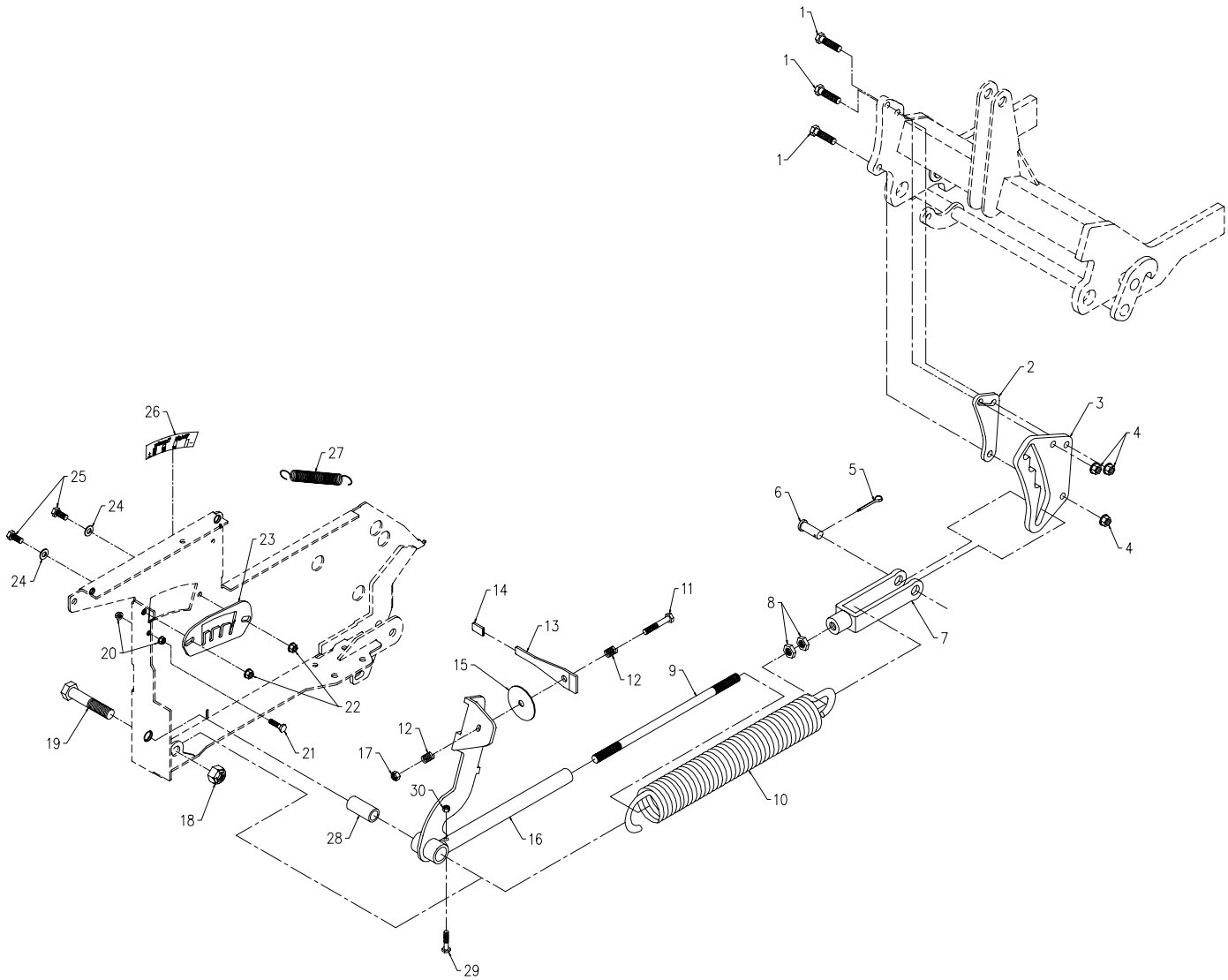
FRAMES & HITCH

Front Hitch

REF.	PART NO.	DESCRIPTION	QTY.
1	99.SF0406	.BOLT, SF 1/4-20 X 3/4	4
2	95.04	.WASHER, FLAT 1/4 SAE	4
3	00.0233-5	.DECAL, HITCH RELEASE LEVER	1
4	60.0969	.COVER, WEIGHT TRANSFER ACCESS	1
5	99.E0046	.NUT, "U" 1/4-20 EXTRUDED	2
6	99.SF0506	.BOLT, SF 5/16-18 USS X 3/4	2
7	99.SF06	.NUT, SF 3/8-16 USS	4
8	90.0822	.BOLT, 1/2-13 USS X 2 3/4	1
9	85.B0027	.BUSHING, 1/2 ID X 5/8 OD X 5/8	2
10	90.0610	.BOLT, 3/8-16 USS X 1 1/4	2
11	40.0340	.LEVER, FRONT LATCH	1
12	06.0051	.CAP, 3/16 X 15/16 X 1-3/4 FE	1
13	99.SF08	.NUT, SF 1/2-13 USS	2
14	99.SF05	.NUT, SF 5/16-18 USS	2
15	64.1300	.MOUNT, HANDLE RELEASE LEVER	1
16	42.0512	.LINK, FRONT LATCH	1
17	00.0216	.DECAL, WARNING MOVING PARTS	1
18	60.0973	.SHIELD, BELT	1
19	99.SF04	.NUT, SF 1/4-20 USS	2
20	62.1259	.HITCH, FRONT	1
21	99.B0093	.WASHER, 1" ID X 1-1/2" OD 10GA	4
22	64.0807	.BUSHING, .516 X 1.000 X 1.000	2
23	99.A08	.LOCKNUT, STOVER 1/2-13 USS	2
24	90.0818	.BOLT, 1/2-13 USS X 2 1/4	2

FRAMES & HITCH

ILLUSTRATED DRAWING Weight Transfer



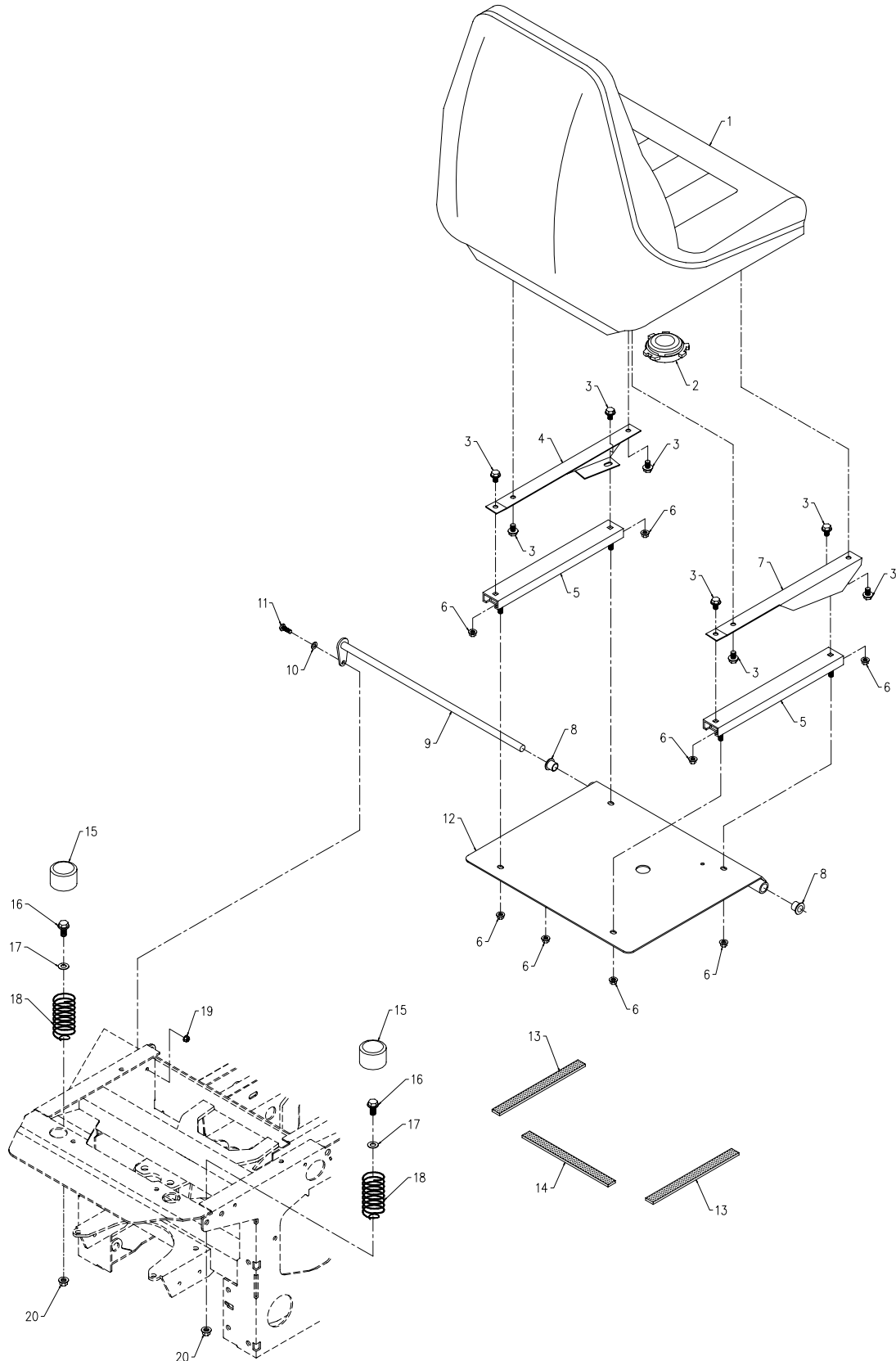
FRAMES & HITCH

Weight Transfer

REF.	PART NO.	DESCRIPTION	QTY.
1	90.0612	.BOLT, 3/8-16 USS X 1 1/2.	3
2	64.1272	.SPACER, WEIGHT TRANSFER STOP.	1
3	64.1271	.PLATE, WEIGHT TRANSFER STOP	1
4	99.SF06	.NUT, SF 3/8-16 USS	3
5	02.CP0408	.COTTER PIN, 1/8 X 1.	1
6	03.0812	.CLEVIS PIN, 1/2 X 1-1/2.	1
7	43.C08-1R	.CLEVIS END, 1/2-20 RH THREAD	1
8	99.E0079	.NUT, JAM 1/2-20 RH YELLOW ZP.	2
9	42.0517	.ROD, THREAD 1/2-20 X 12" LH/RH.	1
10	41.0080	.SPRING, WEIGHT TRANSFER.	1
11	90.0516	.BOLT, 5/16-18 USS X 2.	1
12	41.0039	.SPRING, COMP. 9/16 OD X 5/8.	2
13	40.0343	.LEVER, WEIGHT TRANSFER.	1
14	06.0044	.CAP, PLASTIC 1/8 X 1/2 X 7/8	1
15	05.0002	.WASHER, FRIC. 2 1/4 X 13/32.	1
16	40.0341	.ARM, WEIGHT TRANSFER.	1
17	99.A05	.LOCKNUT, STOVER 5/16-18 USS	1
18	99.A10	.LOCKNUT, STOVER 5/8-11 USS.	1
19	90.1026	.BOLT, 5/8-11 USS X 3 1/4.	1
20	99.SF04	.NUT, SF 1/4-20 USS	2
21	90.0408	.BOLT, 1/4-20 USS X 1.	1
22	99.SF05	.NUT, SF 5/16-18 USS	2
23	60.0972	.PLATE, WEIGHT TRANSFR SELECTOR.	1
24	95.05	.WASHER, FLAT 5/16 SAE	2
25	90.0506	.BOLT, 5/16-18 USS X 3/4	2
26	00.0235-1	.DECAL, WEIGHT TRANSFER.	1
27	41.0086	.SPRING, EXT 3/8" OD X 4" LONG	1
28	64.1269	.BUSHING, .635 IDX7/8 OD X1-7/8.	1
29	90.0410	.BOLT, 1/4-20 USS X 1 1/4.	1
30	99.A04	.LOCKNUT, STOVER 1/4-20 USS	1

SEATS

ILLUSTRATED DRAWING Highback Seat



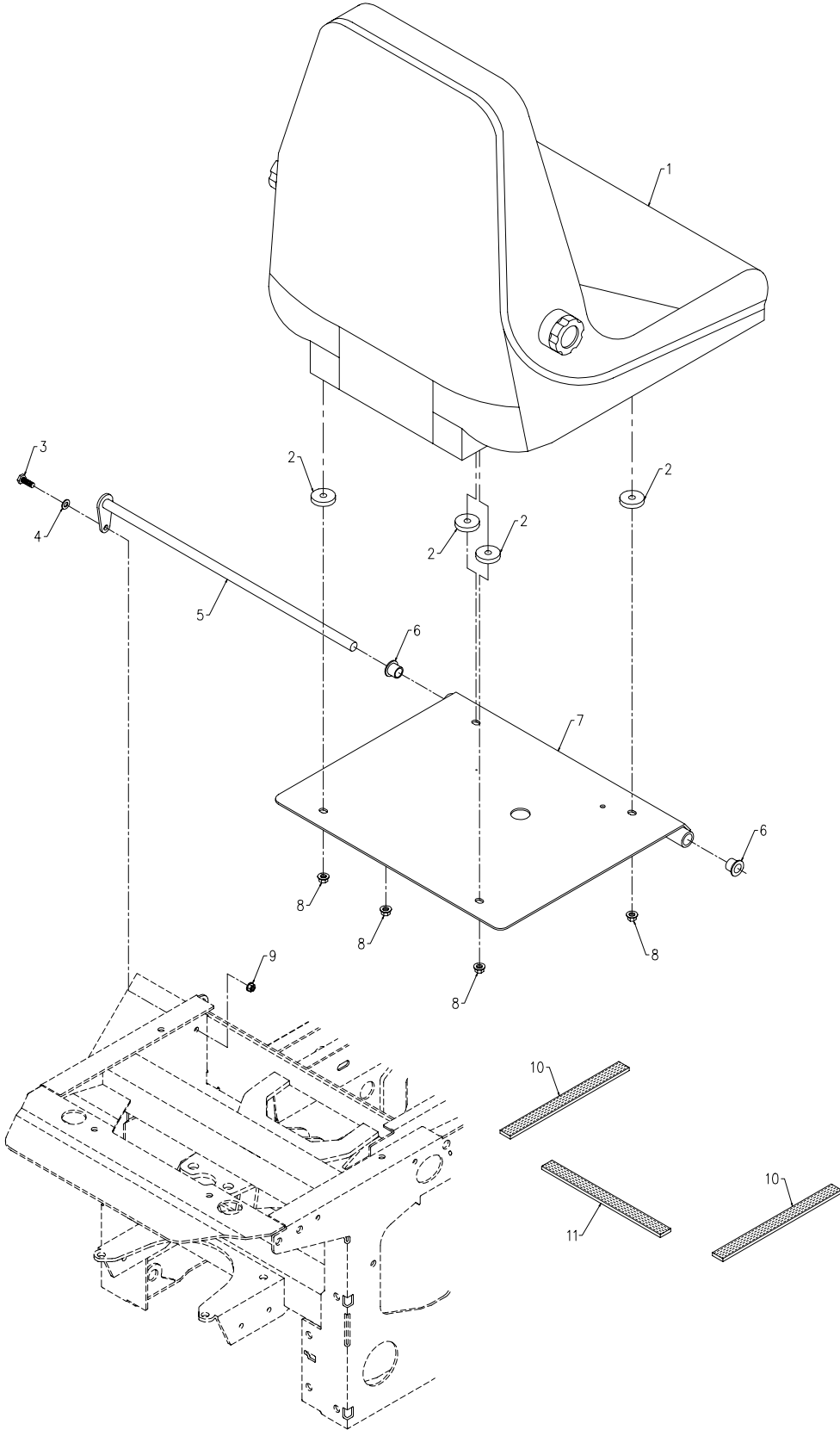
SEATS

Highback Seat

REF.	PART NO.	DESCRIPTION	QTY.
1	47.0112	.SEAT, MOLDED HIGH BACK	1
	47.0113	.ARMREST, KIT - STANDARD SEAT	1
2	31.0033	.SWITCH, SEAT 2" ROUND GRAY	1
3	99.SF0504	.BOLT, SF 5/16-18USS X 1/2	8
4	64.0770	.RISER, SEAT-LEFT LT	1
5	47.0114	.SLIDE, KIT FOR SEAT 47.0112	1
6	99.SF05	.NUT, SF 5/16-18 USS	8
7	64.0771	.RISER, SEAT-RIGHT LT	1
8	85.B0027	.BUSHING, 1/2 ID X 5/8 OD X 5/8	2
9	64.1259	.PIN, SEAT PIVOT	1
10	90.0406	.BOLT, 1/4-20 USS X 3/4	1
11	95.04	.WASHER, FLAT 1/4 SAE	1
12	62.1264	.PLATE, SEAT	1
13	06.0045-12IN	.WEATHERSTRIP, 1/8 X 3/4 X 12"	2
14	06.0045-16.5IN	.WEATHERSTRIP, 1/8 X 3/4 X 16 1/2"	1
15	05.0053	.BOOT, SPRING 1-11/16 ID X 1	2
16	99.SF0606	.BOLT, SF 3/8-16 USS X 3/4	2
17	94.06	.WASHER, FLAT 3/8 USS	2
18	41.0057	.SPRING, COMP 1.75 OD X 4.25 LG	2
19	99.SF04	.NUT, SF 1/4-20 USS	1
20	99.SF06	.NUT, SF 3/8-16 USS	2

SEATS

ILLUSTRATED DRAWING Suspension Seat



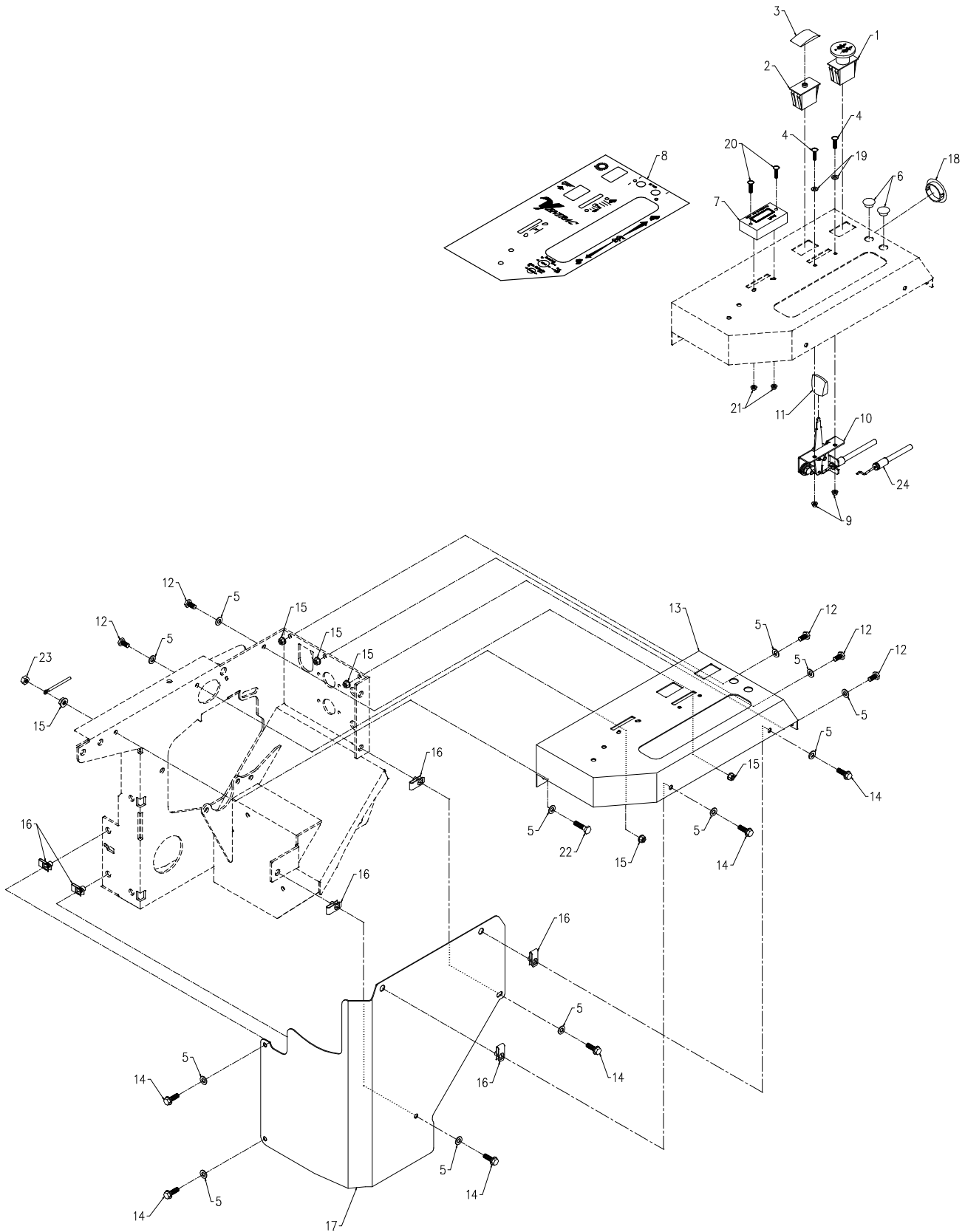
SEATS

Suspension Seat

REF.	PART NO.	DESCRIPTION	QTY.
1	47.0233	.SEAT, FULL SUSPENSION	1
	47.0231-1	.ARMREST, KIT - SUSPENSION SEAT	1
	47.0231-2	.KIT, SLIDE FOR SEAT	1
2	05.0069	.WASHER, NYLON	4
3	90.0406	.BOLT, 1/4-20 USS X 3/4	1
4	95.04	.WASHER, FLAT 1/4 SAE	1
5	64.1259	.PIN, SEAT PIVOT	1
6	85.B0027	.BUSHING, 1/2 ID X 5/8 OD X 5/8	2
7	62.1264	.PLATE, SEAT	1
8	99.SF05	.NUT, SF 5/16-18 USS	4
9	99.SF04	.NUT, SF 1/4-20 USS	1
10	06.0045-12IN	.WEATHERSTRIP, 1/8 X 3/4 X 12"	2
11	06.0045-16.5IN	.WEATHERSTRIP, 1/8 X 3/4 X 16 1/2"	1

DASH & HOOD

ILLUSTRATED DRAWING Dash



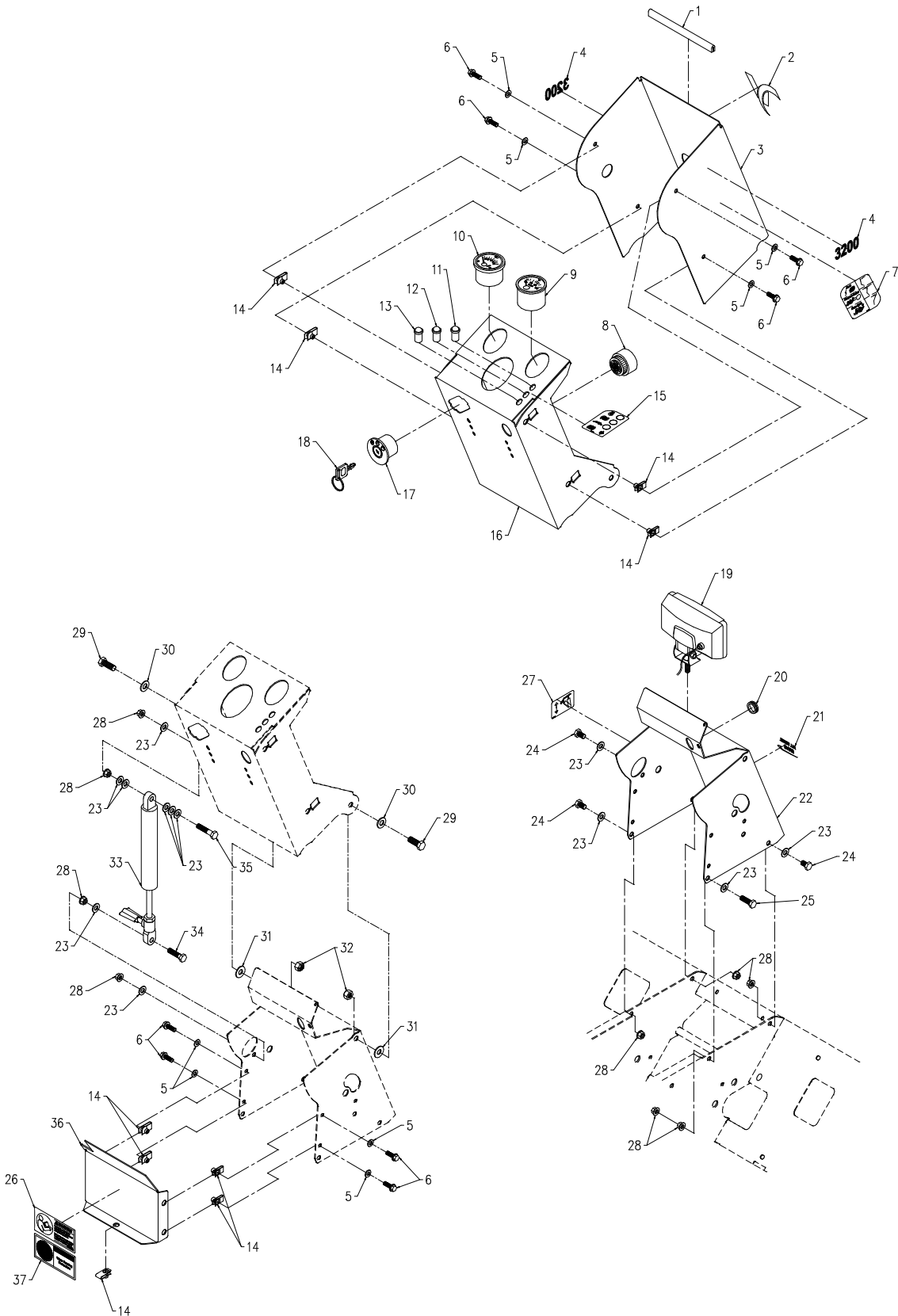
DASH & HOOD

Dash

REF.	PART NO.	DESCRIPTION	QTY.
1	31.0043	.SWITCH, PTO - PUSH/PULL	1
2	31.0036	.SWITCH, CONTOUR ON-OFF DPST	1
3	31.0037	.ROCKER, SWITCH SOFT/BLK/NO LEN	1
4	99.K0062	.MACHINE SCREW, #10-32 X 1/2	2
5	95.04	.WASHER, FLAT 1/4 SAE	12
6	05.0070	.PLUG, 1/2" HOLE, NYLON	2
7	35.0114	.GAUGE, HOUR/TACH DGTL 24" LEAD	1
8	00.0232	.DECAL, MAIN CONTROL PANEL	1
9	99.E0035	.NUT, SF #10-32	2
10	47.0244	.CABLE, THROTTLE 60" 1-5/8 TRAV (Serial # 1613-2230)	1
10	47.0338	.CABLE, THROTTLE/CHOKE (Serial # 2231-)	1
11	47.0245	.KNOB, BLACK	1
12	90.0404	.BOLT, 1/4-20 USS X 1/2	5
13	60.1066	.PANEL, DASH	1
14	99.SF0406	.BOLT, SF 1/4-20 X 3/4	6
15	99.SF04	.NUT, SF 1/4-20 USS	6
16	99.E0046	.NUT, "U" 1/4-20 EXTRUDED	6
17	60.0967	.COVER, HYDRAULIC ACCESS	1
18	05.0091	.PLUG, 1-1/4" HOLE, BLK PLASTIC	1
19	99.B0051	.WASHER, FLAT #10	2
20	99.K0101	.MACHINE SCREW, #6-32 X 3/8	2
21	99.E0085	.LOCKNUT, NYLON #6-32	2
22	90.0408	.BOLT, 1/4-20 USS X 1	1
23	92.04	.NUT, 1/4-20 USS	1
24	47.0339	.CABLE, PUSH/PULL W/O HANDLE (Serial # 2231-)	1

DASH & HOOD

ILLUSTRATED DRAWING Steering Column



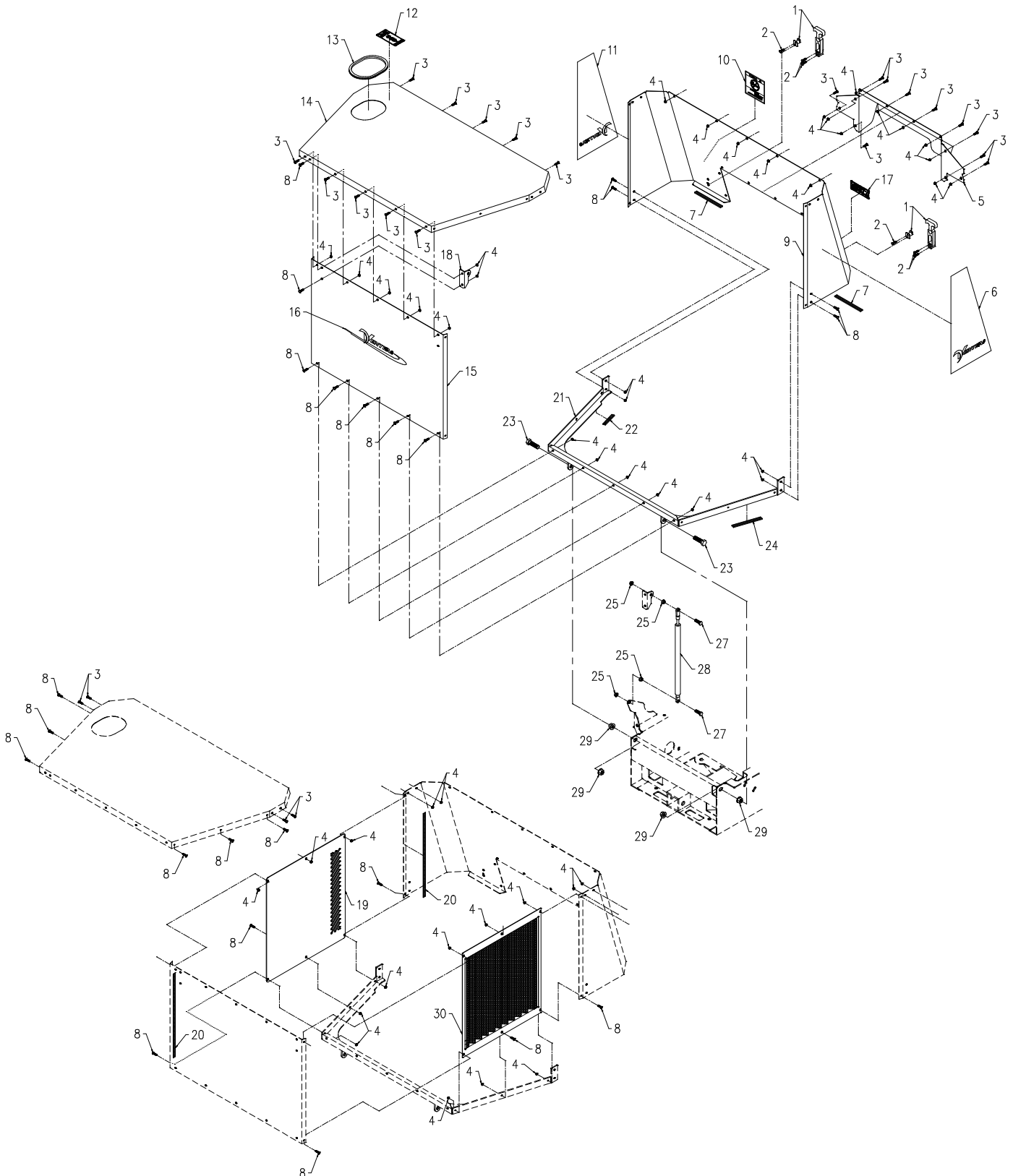
DASH & HOOD

Steering Column

REF.	PART NO.	DESCRIPTION	QTY.
1	06.0042-45.25IN	.TRIM, TRIM LOC 1/2 X 1/16 X 45 1/4"	1
2	00.0192	.DECAL, V-DECAL DIE CUT BLUE	1
3	60.0965	.COVER, STEERING COLUMN	1
4	00.0239	.DECAL, 3200 BLUE W/WHITE TRIM	2
5	95.04	.WASHER, FLAT 1/4 SAE	8
6	99.SF0406	.BOLT, SF 1/4-20 X 3/4	8
7	00.0233-1	.DECAL, SELECTOR LEVER	1
8	35.0107	.ALARM, HIGH TEMP.	1
9	35.0100	.GAUGE, TEMP 250 DEGREE 2" DIA	1
10	35.0101	.GAUGE, VOLTMETER 12 VOLT	1
11	33.0031	.LIGHT, RED	1
12	33.0020	.LIGHT, AMBER	1
13	33.0032	.LIGHT, BLUE	1
14	99.E0046	.NUT, "U" 1/4-20 EXTRUDED	9
15	00.0233-2	.DECAL, DASH INDICATOR LIGHT	1
16	62.1262	.COLUMN, 3200 STEERING TILT	1
17	13.0078	.SWITCH, IGNITION DELTA	1
18	13.0080	.KEY, IGNITION DELTA	1
19	33.0043	.LIGHT, HEAD 12V 55W HALOGEN	1
	33.0037	.BULB, LIGHT(ONLY) FOR 55 WATT	1
20	05.0045	.GROMMET, 3/4ID,1 3/8OD,1/2THK	1
21	00.0190	.DECAL, ALL WHEEL DRIVE-ORBITAL	1
22	62.1263	.COLUMN, STEERING BASE	1
23	95.05	.WASHER, FLAT 5/16 SAE	12
24	90.0504	.BOLT, 5/16-18 USS X 1/2	3
25	90.0508	.BOLT, 5/16-18 USS X 1	1
26	00.0217	.DECAL, WARNING READ OWNERS MAN	1
27	00.0235-2	.DECAL, TILT STEERING	1
28	99.SF05	.NUT, SF 5/16-18 USS	9
29	90.0608	.BOLT, 3/8-16 USS X 1	2
30	95.06	.WASHER, FLAT 3/8 SAE	2
31	05.0083	.WASHER,PVC.375 ID X.875 X .062	2
32	99.A06	.LOCKNUT, STOVER 3/8-16 USS	2
33	47.0250	.SHOCK, GAS BLOC-O-LIFT LOCKING	1
34	90.0510	.BOLT, 5/16-18 USS X 1 1/4	1
35	90.0512	.BOLT, 5/16-18 USS X 1 1/2	1
36	60.0970	.COVER, STEERING COLUMN BASE	1
37	00.0291	.DECAL, WARNING HEARING PPE (Serial # 1808-)	1

DASH & HOOD

ILLUSTRATED DRAWING Hood



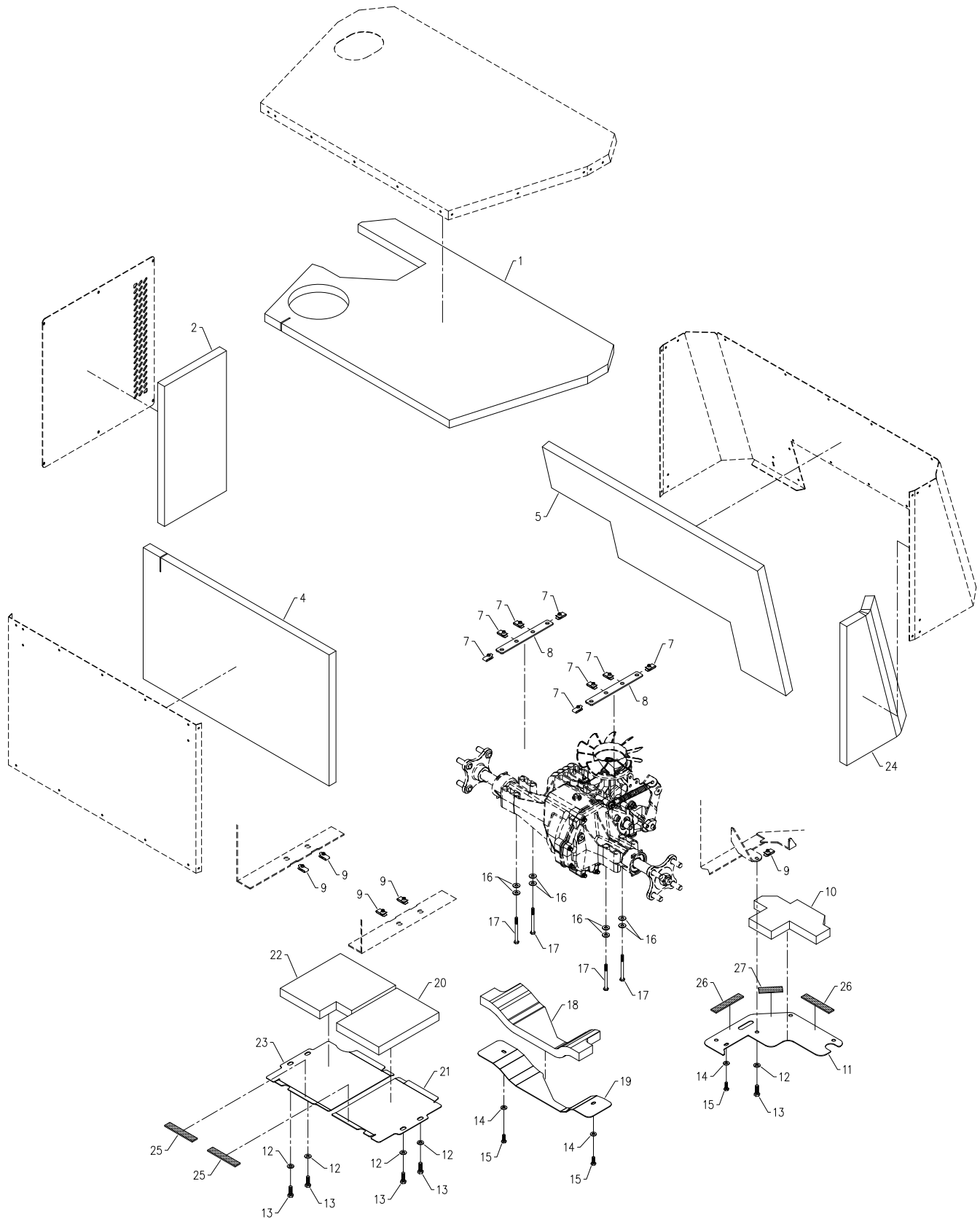
DASH & HOOD

Hood

REF.	PART NO.	DESCRIPTION	QTY.
1	47.0127	.LATCH, RUBBER DRAW T-HANDLE	2
2	99.K0072	.MACHINE SCREW, 10-24 X 1/2 ZP	6
3	99.K0042	.MACHINE SCREW, 10-32 X 3/8	24
4	99.E0035	.NUT, SF #10-32	47
5	60.0974	.COVER, HOOD FRONT	1
6	00.0237	.DECAL, LE HOOD - RIGHT SIDE	1
7	06.0045-6.5IN	.WEATHERSTRIP, 1/8 X 3/4 X 6 1/2"	2
8	99.K0062	.MACHINE SCREW, #10-32 X 1/2	23
9	60.0979	.HOOD, FRONT SIDE	1
10	00.0121	.DECAL, DANGER EXPLOSION HAZARD (Serial # 1613-2278)	1
11	00.0238	.DECAL, LE HOOD - LEFT SIDE	1
12	00.0333	.DECAL, DIESEL ONLY	1
13	06.0049-16.63IN	.TRIM, TRIM SEAL W/BULB X 16 5/8"	1
14	60.0980	.HOOD, TOP SIDE	1
15	60.1075	.PANEL, HOOD REAR	1
16	00.0189	.DECAL, VENTRAC ORBITAL	1
17	00.0124	.DECAL, WARNING BATTERY - GASES (Serial # 1613-2278)	1
17	00.0345	.DECAL, DANGER BATTERY (Serial # 2279-)	1
18	64.1276	.BRACKET, GAS DAMPER	1
19	60.1070	.PANEL, HOOD LEFT SIDE	1
20	06.0071-17IN	.VELCRO, LOOP 1/2" BLACK X 17"	2
21	64.1277	.BRACKET, HOOD SUPPORT	1
22	06.0045-3IN	.WEATHERSTRIP, 1/8 X 3/4 X 3"	1
23	90.0814	.BOLT, 1/2-13 USS X 1 3/4	2
24	06.0045-14IN	.WEATHERSTRIP, 1/8 X 3/4 X 14"	1
25	99.SF05	.NUT, SF 5/16-18 USS	4
27	90.0508	.BOLT, 5/16-18 USS X 1	2
28	47.0275	.DAMPER, HYDRAULIC 18"	1
29	99.SF08	.NUT, SF 1/2-13 USS	4
30	64.1279	.SCREEN, REAR HOOD SIDE	1

DASH & HOOD

ILLUSTRATED DRAWING Bottom Shields & Insulation



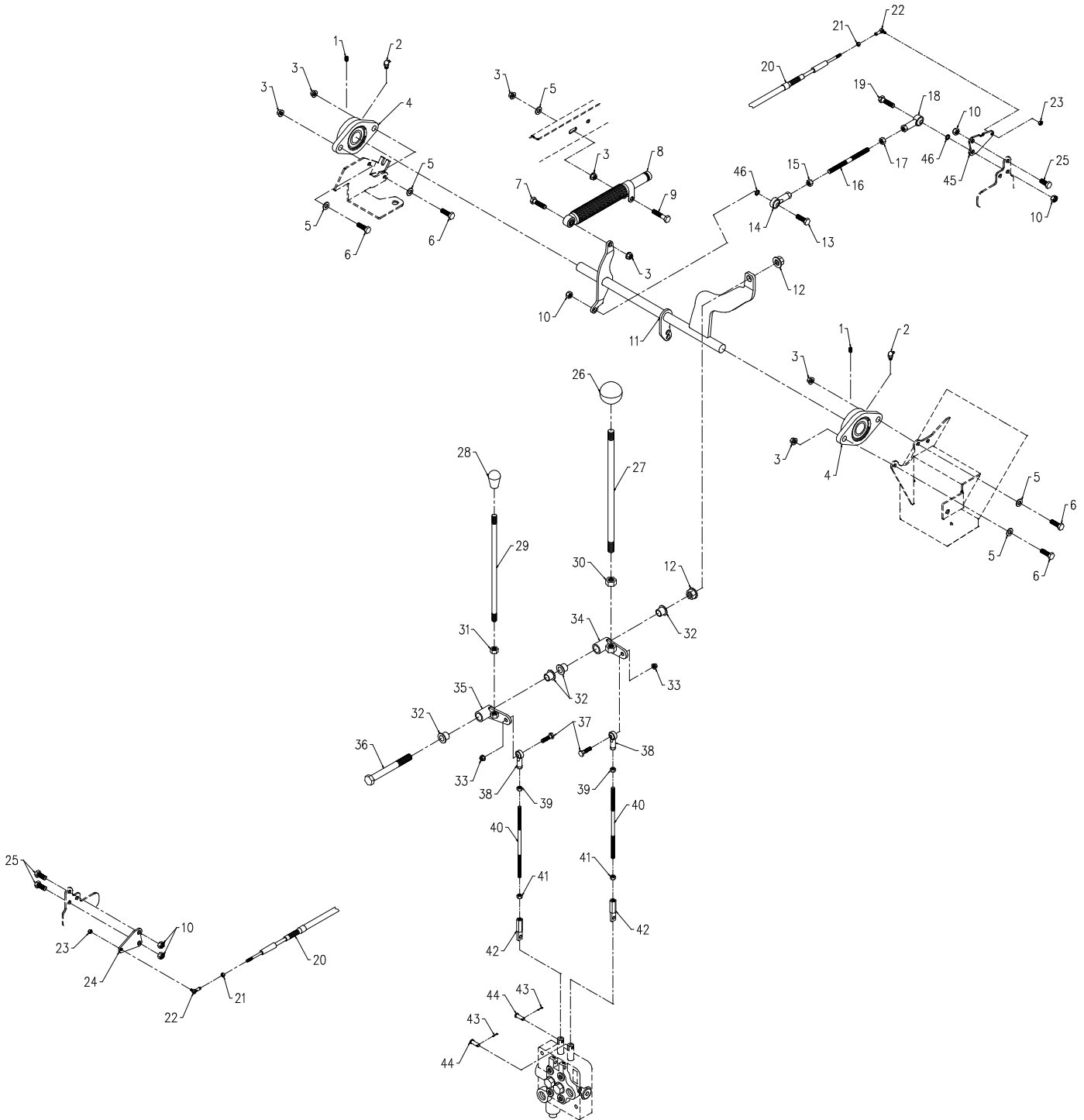
DASH & HOOD

Bottom Shields & Insulation

REF.	PART NO.	DESCRIPTION	QTY.
1	44.0282	.INSULATION, HOOD TOP	1
2	44.0285	.INSULATION, HOOD LEFT	1
4	44.0281	.INSULATION, HOOD REAR	1
5	44.0283	.INSULATION, HOOD FRONT	1
7	99.E0046	.NUT, "U" 1/4-20 EXTRUDED	8
8	64.1519	.MOUNT, FRAME COVER	2
9	99.E0099	.NUT, "U" 5/16-18 EXTRUDED	5
10	44.0288	.INSULATION, FRAME FRONT LEFT	1
11	60.1071	.COVER, FRAME FRONT LEFT	1
12	95.05	.WASHER, FLAT 5/16 SAE	5
13	90.0508	.BOLT, 5/16-18 USS X 1	5
14	95.04	.WASHER, FLAT 1/4 SAE	3
15	90.0406	.BOLT, 1/4-20 USS X 3/4	3
16	94.04	.WASHER, FLAT 1/4 USS	8
17	90.0424	.BOLT, 1/4-20 USS X 3	4
18	44.0289	.INSULATION, FRAME CENTER	1
19	60.1074	.COVER, FRAME CENTER	1
20	44.0287	.INSULATION, FRAME REAR RIGHT	1
21	60.1073	.COVER, FRAME REAR RIGHT	1
22	44.0286	.INSULATION, FRAME REAR LEFT	1
23	60.1072	.COVER, FRAME REAR LEFT	1
24	44.0284	.INSULATION, HOOD RIGHT	1
25	06.0045-5.5IN	.WEATHERSTRIP, 1/8 X 3/4 X 5-1/2"	2
26	06.0045-6IN	.WEATHERSTRIP, 1/8 X 3/4 X 6"	2
27	06.0045-3.5IN	.WEATHERSTRIP, 1/8 X 3/4 X 3-1/2"	1

CONTROLS & LINKAGE

ILLUSTRATED DRAWING SDLA Controls



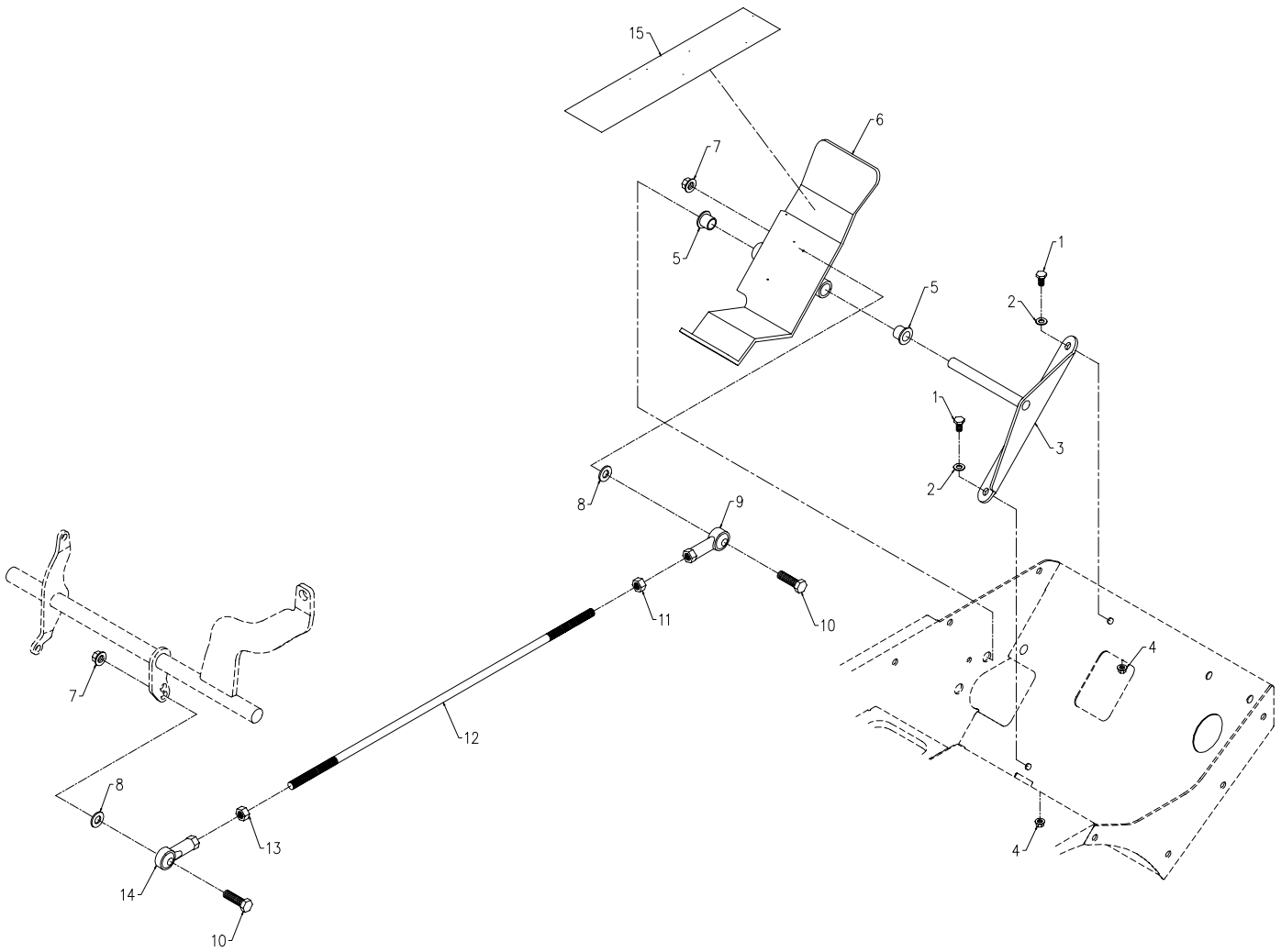
CONTROLS & LINKAGE

SDLA Controls

REF.	PART NO.	DESCRIPTION	QTY.
1	85.SS14	.SET SCREW, 1/4-28 X 1/4".	2
2	29.GF0002	.GREASE FTG, 1/4 SAE 90°	2
3	99.SF05	.NUT, SF 5/16-18 USS	7
4	55.FB16012-1	.BEARING, FLANGE BLOCK 3/4"	2
5	95.05	.WASHER, FLAT 5/16 SAE	5
6	90.0508	.BOLT, 5/16-18 USS X 1	4
7	90.0510	.BOLT, 5/16-18 USS X 1 1/4	1
8	47.0242	.DAMPER, 2.625 STROKE GAS SHOCK	1
9	90.0512	.BOLT, 5/16-18 USS X 1 1/2	1
10	99.A05NFN	.LOCKNUT, NYLON 5/16-24 SAE ZP	5
11	42.0505	.LINKAGE, FORWARD/REVERSE	1
12	99.SF08	.NUT, SF 1/2-13 USS	2
13	91.0508	.BOLT, 5/16-24 SAE X 1	1
14	43.005L	.ROD END, 5/16 SPHERICAL (LH)	1
15	99.E0084	.NUT, 5/16-24 LEFT HAND ZP	1
16	42.0518	.ROD, THREAD 5/16-24 X4.5"LH/RH	1
17	93.05	.NUT, 5/16-24 SAE	1
18	43.005	.ROD END, 5/16 SPHERICAL	1
19	91.0510	.BOLT, 5/16-24 SAE X 1-1/4	1
20	47.0253	.CABLE, CONTROL - REAR AXLE LE (Serial # 1613-2230)	1
20	47.0337	.CABLE, CONTROL PUSH-PULL (Serial # 2231-)	1
21	99.E0034	.NUT, #10-32	2
22	43.10-32S	.ROD END,10/32 SPHERICAL W/STUD	2
23	99.A1032N	.LOCKNUT, NYLON 10-32 STAINLESS	2
24	60.0971	.PLATE, AXLE CABLE MOUNT	1
25	91.0506	.BOLT, 5/16-24 SAE X 3/4	3
26	47.0003	.KNOB, ROUND 2" X 1/2-13	1
27	40.0240	.HANDLE, F/R CONTROL YZP	1
28	47.0001	.KNOB, SM. #80 3/8-16 THREAD	1
29	40.0241	.HANDLE, AUX CONTROL YZP	1
30	92.08-4	.NUT, 1/2-13 YELLOW ZP	1
31	92.06-4	.NUT, 3/8-16 YELLOW ZP	1
32	85.B0027	.BUSHING, 1/2 ID X 5/8 OD X 5/8	4
33	99.SF04	.NUT, SF 1/4-20 USS	2
34	42.0503	.ARM, PIVOT SDLA LIFT	1
35	42.0504	.ARM, PIVOT SDLA AUX	1
36	90.0836	.BOLT, 1/2-13 USS X 4 1/2	1
37	90.0408	.BOLT, 1/4-20 USS X 1	2
38	43.004	.ROD END, 1/4 SPHERICAL	2
39	93.04	.NUT, 1/4-28 SAE	2
40	42.0515	.ROD, THREAD 1/4-28 X 7" LH/RH	2
41	99.E0081	.NUT, 1/4-28 LH GRADE 8 YZ	2
42	43.004-4	.ROD END, 1/4-28LH YZP VAL CTRL	2
43	02.CP0204	.COTTER PIN, 1/16 X 1/2	2
44	03.0406	.CLEVIS PIN, 1/4 X 3/4	2
45	60.0971	.PLATE, AXLE CABLE MOUNT (Serial # 1613-1712)	1
45	64.1536	.PLATE, FRONT AXLE CABLE MOUNT (Serial # 1713-)	1
46	99.B0102	.WASHER, .313ID X .438OD X .062	2

CONTROLS & LINKAGE

ILLUSTRATED DRAWING Foot Pedal



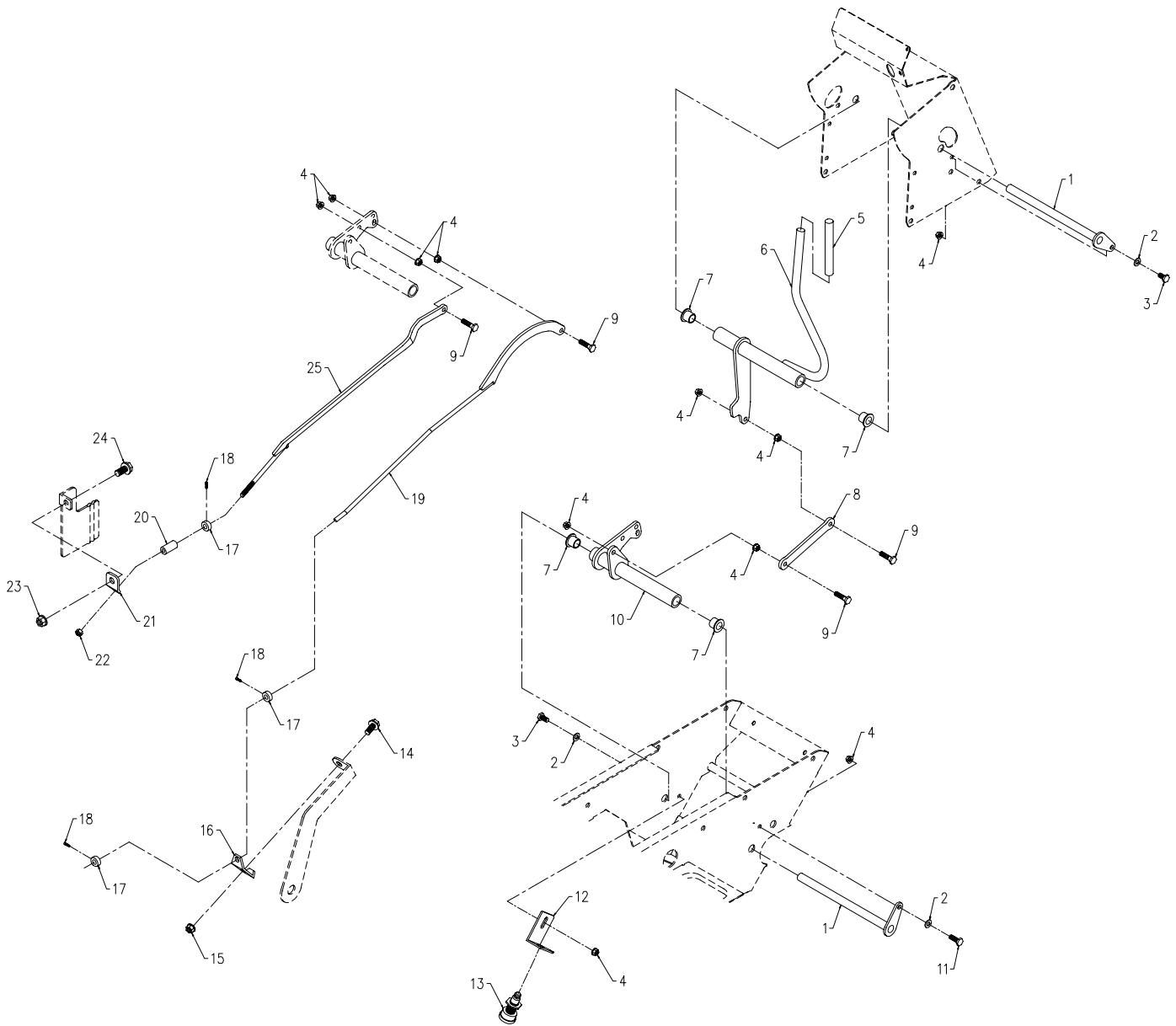
CONTROLS & LINKAGE

Foot Pedal

REF.	PART NO.	DESCRIPTION	QTY.
1	90.0404	.BOLT, 1/4-20 USS X 1/2	2
2	95.04	.WASHER, FLAT 1/4 SAE	2
3	42.0506	.PIVOT, FOOT PEDAL	1
4	99.SF04	.NUT, SF 1/4-20 USS	2
5	85.B0027	.BUSHING, 1/2 ID X 5/8 OD X 5/8	2
6	62.1260	.PEDAL, FOOT	1
7	99.SF06	.NUT, SF 3/8-16 USS	2
8	95.06	.WASHER, FLAT 3/8 SAE	2
9	43.006L	.ROD END, 3/8 SPHERICAL LH THRD	1
10	90.0610	.BOLT, 3/8-16 USS X 1 1/4	2
11	99.E0083	.NUT, JAM 3/8-24 SAE LH ZP	1
12	42.0516	.ROD, THREAD 3/8-24X20.25 LH/RH	1
13	93.06	.NUT, 3/8-24 SAE	1
14	43.006	.ROD END, 3/8 SPHERICAL	1
15	44.0275	.FLEX TREAD, FOOT PEDAL	1

CONTROLS & LINKAGE

ILLUSTRATED DRAWING Park Brake



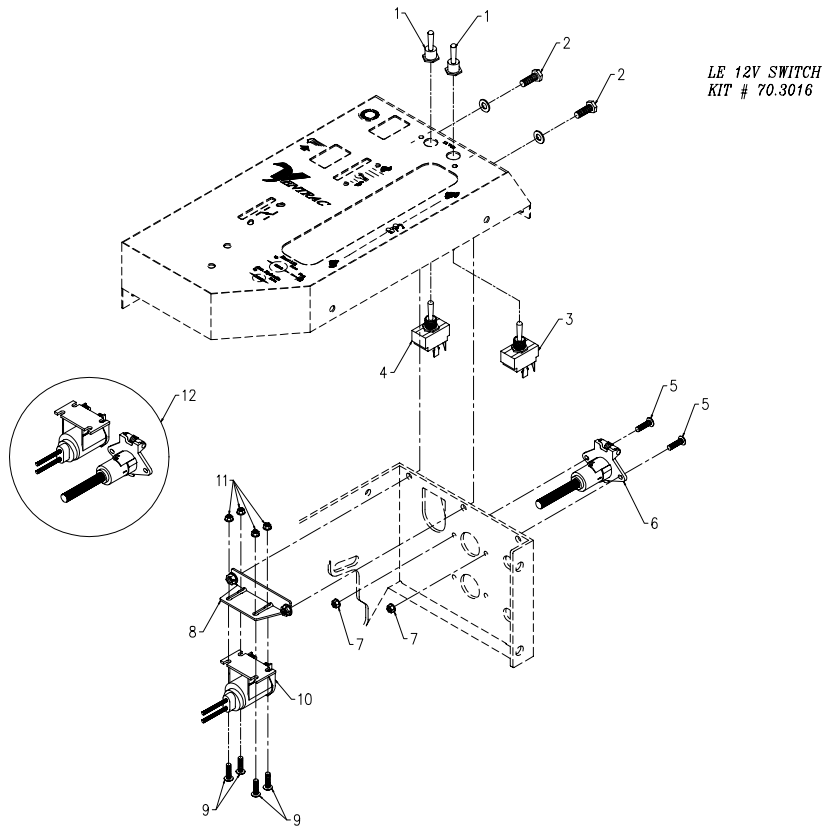
CONTROLS & LINKAGE

Park Brake

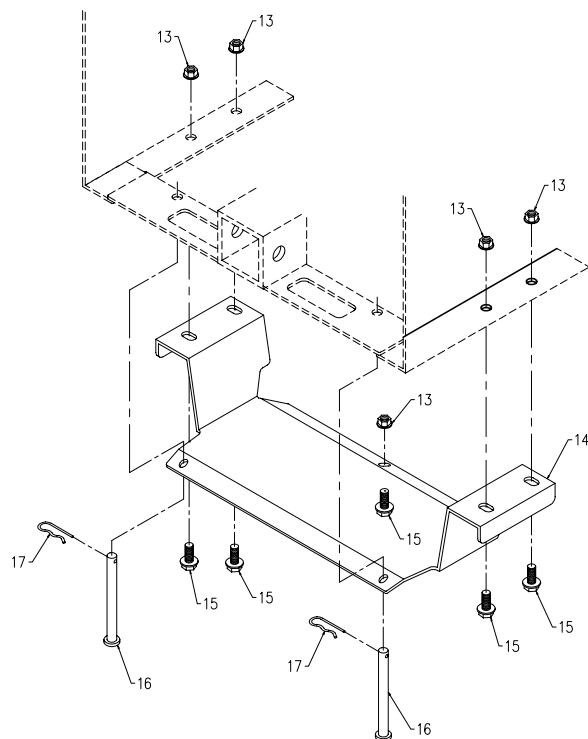
REF.	PART NO.	DESCRIPTION	QTY.
1	64.1260	.PIN, PIVOT	2
2	95.04	.WASHER, FLAT 1/4 SAE	3
3	90.0404	.BOLT, 1/4-20 USS X 1/2	2
4	99.SF04	.NUT, SF 1/4-20 USS	11
5	06.0059	.CAP, VINYL 1/2" X 4" LONG	1
6	40.0344	.HANDLE, PARK/CRUISE SELECTOR	1
7	85.B0027	.BUSHING, 1/2 ID X 5/8 OD X 5/8	4
8	42.0508	.LINKAGE, MASTER LOCK OUT	1
9	90.0408	.BOLT, 1/4-20 USS X 1	4
10	64.1257	.ROCKER, MASTER LOCK OUT	1
11	90.0406	.BOLT, 1/4-20 USS X 3/4	1
12	64.1264	.PLATE, NEUTRAL SWITCH MOUNT	1
13	31.0044	.SWITCH, PUSH BUTTON - NEUTRAL	1
14	99.SF0506	.BOLT, SF 5/16-18 USS X 3/4	1
15	99.SF05	.NUT, SF 5/16-18 USS	1
16	64.0782	.EXTENSION, NEUTRAL ARM	1
17	85.SC05	.SET COLLAR, 5/16"	3
18	99.K0073	.BOLT, SHCS 10-32 X 1/2 ZP	3
19	42.0501	.LINK, NEUTRAL	1
20	05.0065	.SPACER, 1/4 ID X 1/2 OD X 1 LG	1
21	64.0781	.EXTENSION, BRAKE LEVER	1
22	99.A04NFN	.LOCKNUT, NYLON 1/4-28	1
23	99.SF06	.NUT, SF 3/8-16 USS	1
24	99.SF0606	.BOLT, SF 3/8-16 USS X 3/4	1
25	42.0502	.LINK, BRAKE	1

OPTIONS

ILLUSTRATED DRAWING 12V Switch Kit, Rear Weight Bracket Kit



LE REAR WEIGHT BRACKET
KIT # 70.3017



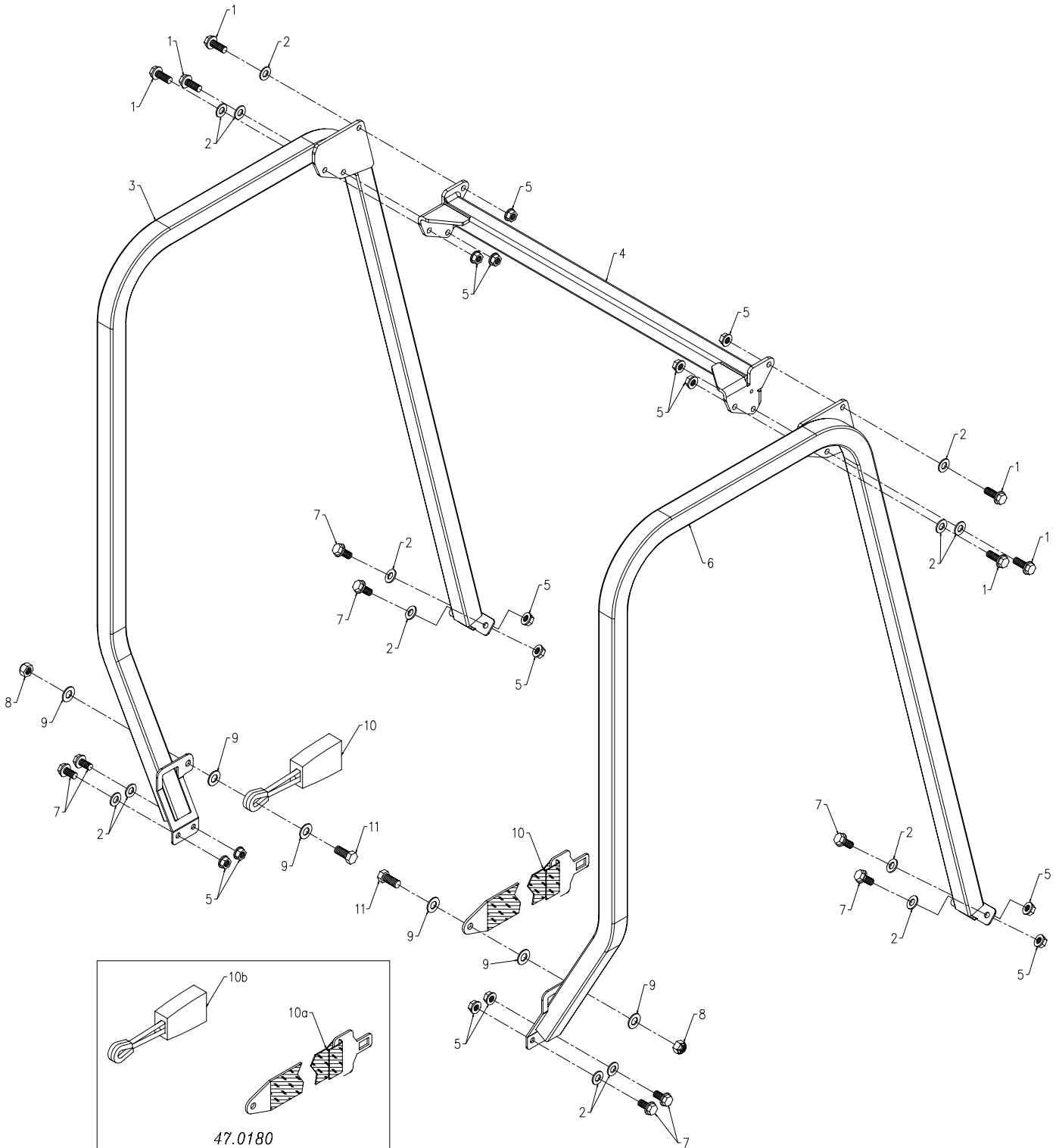
OPTIONS

12V Switch Kit, Rear Weight Bracket Kit

REF.	PART NO.	DESCRIPTION	QTY.
1	30.0157	.BOOT, TOGGLE SWITCH	2
2	90.0406	.BOLT, 1/4-20 USS X 3/4	2
3	31.0034	.SWITCH, TOGGLE ON/OFF SPST	1
4	31.0041	.SWITCH, TOGGLE DPDT MOOFFMO	1
5	99.K0062	.MACHINE SCREW, #10-32 X 1/2	2
6	30.0219	.SOCKET, TRAILER 4-PIN FEMALE	1
7	99.E0035	.NUT, SF #10-32	2
8	64.1295	.BRACKET, 12 VOLT ELECTRICAL	1
9	99.K0041	.MACHINE SCREW, #8-32 X 1/2	4
10	30.0221	.OUTLET, 12 VOLT ALL WEATHER	1
11	99.E0062	.NUT, SF#8-32	4
12	32.0084	.HARNESS, WIRE - LE31/3200 12 V	1
13	99.SF05	.NUT, SF 5/16-18 USS	5
14	64.1290	.BRACKET, WEIGHT BAR	1
15	99.SF0506	.BOLT, SF 5/16-18 USS X 3/4	5
16	03.0632	.CLEVIS PIN, 3/8 X 4	2
17	02.HP0416	.HAIRPIN, 1/8 X 2	2

OPTIONS

ILLUSTRATED DRAWING Roll Cage Kit # 70.3015



OPTIONS

Roll Cage Kit # 70.3015

REF.	PART NO.	DESCRIPTION	QTY.
1	99.SF0608	.BOLT, SF 3/8-16 USS X 1	6
2	95.06	.WASHER, FLAT 3/8 SAE	14
3	64.1274	.ROLLBAR, LEFT SIDE LE	1
4	64.1303	.BRACE, FRONT CROSSMEMBER LE	1
5	99.SF06	.NUT, SF 3/8-16 USS	14
6	64.1273	.ROLLBAR, RIGHT SIDE LE	1
7	99.SF0606	.BOLT, SF 3/8-16 USS X 3/4	8
8	99.A07	.LOCKNUT, STOVER 7/16-14 USS	2
9	95.07	.WASHER, FLAT 7/16 SAE	6
10	47.0180	.SEAT BELT, LAP N/C SWITCH 60"	1
10A	47.0180-1	.SEAT BELT, 60" LAP BELT RT SID	1
10B	47.0180-2	.SEAT BELT, BUCKLE W N/C SWTCH	1
11	90.0708	.BOLT, 7/16-14 USS X 1	2