

2100C

Serial Number 2100C-BP01231 --



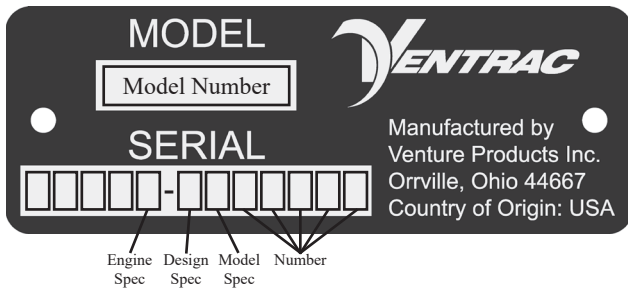


500 Venture Drive
Orrville Oh 44667
www.ventrac.com



Visit ventrac.com/manuals for the latest version of this operator's manual.

A downloadable parts manual is also available.



ENGINE

C KAWASAKI 18.5 HP FS600V GAS AC



Serial Number Description

Notes

- If any component requires replacement, use only original Ventrac replacement parts.
- When ordering new components, be sure to order all required safety decals. All current safety decals must be affixed to the replacement components prior to installation of the component.

TABLE OF CONTENTS

ELECTRICAL	PAGE 5
Wiring Diagram Reference Key.....	5
Main Power.....	6
Fuse Block Functions.....	7
Operation Interlock System & PTO.....	8
Work Lights & Tail Lights.....	9
Strobe Lights.....	10
Horn / Backup Alarm.....	11
Brine System.....	12
Drop Spreader.....	13
12 Volt Front.....	14
12 Volt Actuator (Broom & Snowblower).....	15
Wiring Diagram - Optional 30.0219 4-Pin Female Socket & 30.0218 4-Pin Male Plug.....	17
Battery, Power Cables, & Ground Cables.....	18
Fuse Panel & Time Delay.....	20
HYDRAULICS	PAGE 22
Hydraulic Diagram.....	22
O-Ring Chart.....	24
Fitting Chart.....	24
Hydraulic Oil Tank, Pump Assembly, & Main Hydraulic Filter.....	26
Hydraulic Drive Circuit.....	28
Hydraulic Auxiliary Circuit.....	30
Front Hitch Hydraulic Lift.....	32
Auxiliary Hydraulic Quick Couplers.....	34
Hydraulic Oil Cooler & Fan.....	36
Tandem Hydraulic Pump (21.0131).....	38
Upper Hydraulic Pump w/Auxiliary Pump.....	40
Lower Hydraulic Pump.....	42
Hydraulic Auxiliary Valve (23.0174).....	44
ENGINE & PUMP DRIVE	PAGE 46
Engine & Cover.....	46
Engine Mount, Throttle Cable, & Choke Cable.....	48
Fuel System.....	50
Pump Drive From Engine.....	52
FRAMES, COVERS, & WHEELS	PAGE 54
Main Frame & Front Hitch.....	54
Accessory Mount / Shield Frame & Main Frame Side Covers.....	56
Fenders.....	58
Upper Frame & Posts.....	60
Operator Platform & Cushion.....	62
Dash Mount & Grab Bars.....	64
Dash Decals, Switches, & Headlights.....	66
Right Door.....	68
Left Door.....	70
Front & Rear Upper Frame Covers.....	72
Engine Covers.....	74
Wheels & Wheel Motor Mounts - Left Side.....	76
Wheels & Wheel Motor Mounts - Right Side.....	78

TABLE OF CONTENTS

CONTROLS & LINKAGE	PAGE 80
Drive Control Handles	80
Drive Control Pump Links	82
Hydraulic Control Lever & Auxiliary Valve Links.....	84
Parking Brake & Brake Switch	86
Neutral Lock	88
Operator Presence (Platform) Switch	90
OPTIONS	PAGE 92
Clutch Mount, Shields, & Switch (70.6003 PTO Kit)	92
Drive Belt & Pulleys (70.6003 PTO Kit).....	94
70.6004 Weight Transfer Kit.....	96
70.6005 Rear Work Light Kit.....	98
70.6006 12V Front Kit	100
70.6007 Strobe Light Kit.....	102
70.6010 Storage Basket Kit	104
70.6012 Tail Light Kit.....	106
70.6013 Horn Kit	108
70.6014 Backup Alarm Kit.....	110
70.6008 Dual Front Hydraulic Auxiliary	112

ELECTRICAL

Wiring Diagram Reference Key

INDEX

Sheet #	WIRING CIRCUIT
1	INDEX/REFERENCE PAGE
2	MAIN POWER
3	BASIC FUSE BLOCK FUNCTIONS
4	OPERATION INTERLOCK SYSTEM
5	WORK LIGHTS
6	STROBE LIGHTS
7	HORN / BACKUP ALARM
8	BRINE SYSTEM
9	DROP SPREADER
10	12V FRONT
11	

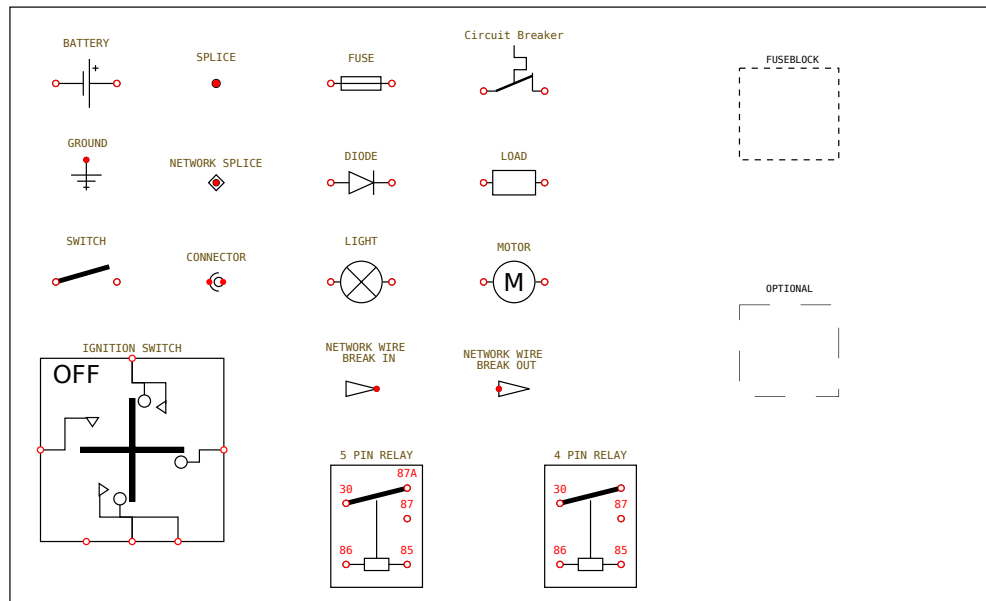
WIRE COLOR NAMING CONVENTION

CODE	COLOR	CIRCUIT COLOR DESCRIPTION
BLK	BLACK	GROUND
BRN	BROWN	ENGINE RUN / STOP
GRN	GREEN	START / SPEED / DIRECTIONAL
GRY	GRAY	12V AUX / HORN
LBLU	LIGHT BLUE	INTERLOCK
LGRN	LIGHT GREEN	12V AUX
PNK	PINK	ALARM
PUR	PURPLE	PTO
RED	RED	KEYED POWER
TAN	TAN	TACH SIGNAL
WHT	WHITE	DIRECT POWER (DIRECT TO THE BATTERY)
YEL	YELLOW	LIGHTS / DIRECTIONALS

HARNESS SECTION IDENTIFIER

WIRE CODE	HARNESS P	DESCRIPTION
A	32.0198	HARNESS, WIRE NT MAIN
B	32.0187	HARNESS, WIRE NT PTO
C	32.0186	HARNESS, WIRE NT 12V FRONT
D	32.0189	HARNESS, WIRE NT BRINE SYSTEM
F	32.0200	HARNESS, WIRE NT HORN
G	32.0201	HARNESS, WIRE NT BACKUP ALARM
H	32.0202	HARNESS, WIRE NA130 DROP SPREADER

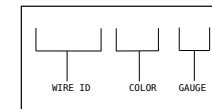
COMPONENT KEY



COMPONENT DESCRIPTION

COMPONENT	DESCRIPTION
SWITCH	INDICATES A SWITCH, INCLUDING SPST, SPDT, & DPDT
CONNECTOR	ALL WIRES CONNECT TO A CONNECTOR
LIGHT	ANY LIGHT, INCLUDING LED
DIODE	ALLOWS CURRENT TO FLOW ONE DIRECTION ONLY
MOTOR	AN ELECTRIC 12V DC MOTOR
CIRCUIT BREAKER	THIS IS A RESETTING FUSE
GROUND	INDICATES GROUND OR A GROUND SPLICE
SPLICE	WHERE MULTIPLE WIRES ARE JOINED TOGETHER
NETWORK SPLICE	SHOWS THE SAME SPLICE REPRESENTED ON MULTIPLE PAGES
NETWORK WIRE BREAK OUT	INDICATES THAT THE WIRE RUNS TO ANOTHER PAGE AND GIVES LOCATION
NETWORK WIRE BREAK IN	INDICATES THAT THE WIRE COMES FROM ANOTHER PAGE AND GIVES LOCATION
LOAD	INDICATES A COMPONENT THAT IS NOT A MOTOR. E.G. PTO CLUTCH, SOLENOID VALVES
RELAY	USES LOW CURRENT SIGNAL TO SWITCH HIGH CURRENT SOURCE
FUSEBLOCK	REPRESENTS A FUSE BLOCK OR RELAY BLOCK
OPTIONAL	INDICATES AN OPTIONAL ITEM. SOMETHING THAT DOES NOT COME STANDARD

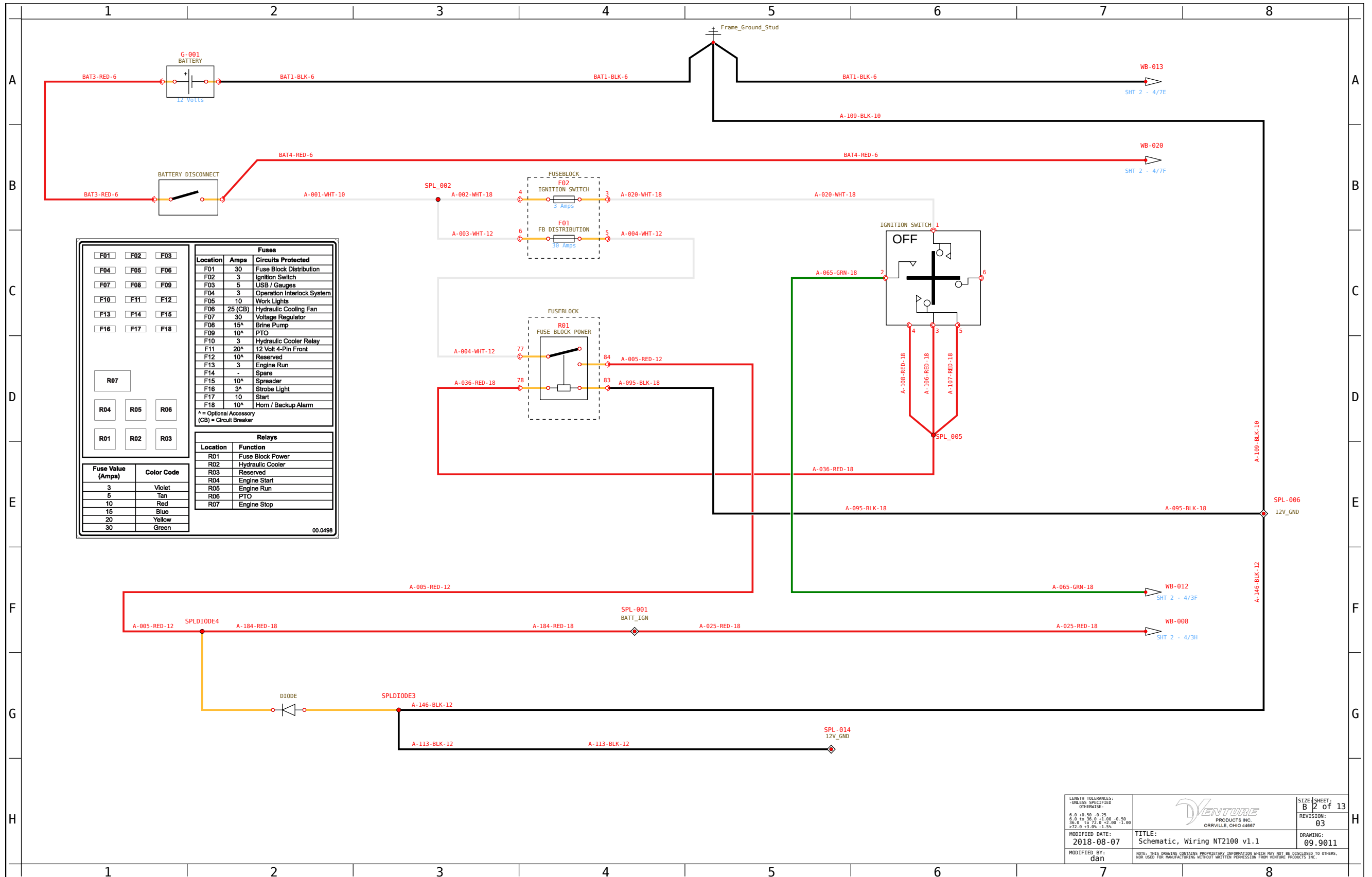
SCHEMATIC WIRE IDENTIFICATION



 VENTURE PRODUCTS INC. ORRVILLE, OHIO 44667	SIZE: SHEET: B 1 of 11
	REVISION: 02
TITLE: Schematic, Wiring NT2100 v1.1	DRAWING: 09.9011
<small>NOTE: THIS DRAWING CONTAINS PROPRIETARY INFORMATION WHICH MAY NOT BE DISCLOSED TO OTHERS, NOR USED FOR MANUFACTURING WITHOUT WRITTEN PERMISSION FROM VENTURE PRODUCTS, INC.</small>	

ELECTRICAL

Main Power



Fuses		
Location	Amps	Circuits Protected
F01	30	Fuse Block Distribution
F02	3	Ignition Switch
F03	5	USB / Gauges
F04	3	Operation Interlock System
F05	10	Work Lights
F06	25 (CB)	Hydraulic Cooling Fan
F07	30	Voltage Regulator
F08	15*	Brine Pump
F09	10*	PTO
F10	3	Hydraulic Cooler Relay
F11	20*	12 Volt 4-Pin Front
F12	10*	Reserved
F13	3	Engine Run
F14	-	Spare
F15	10*	Spreader
F16	3*	Strobe Light
F17	10	Start
F18	10*	Horn / Backup Alarm

Relays	
Location	Function
R01	Fuse Block Power
R02	Hydraulic Cooler
R03	Reserved
R04	Engine Start
R05	Engine Run
R06	PTO
R07	Engine Stop

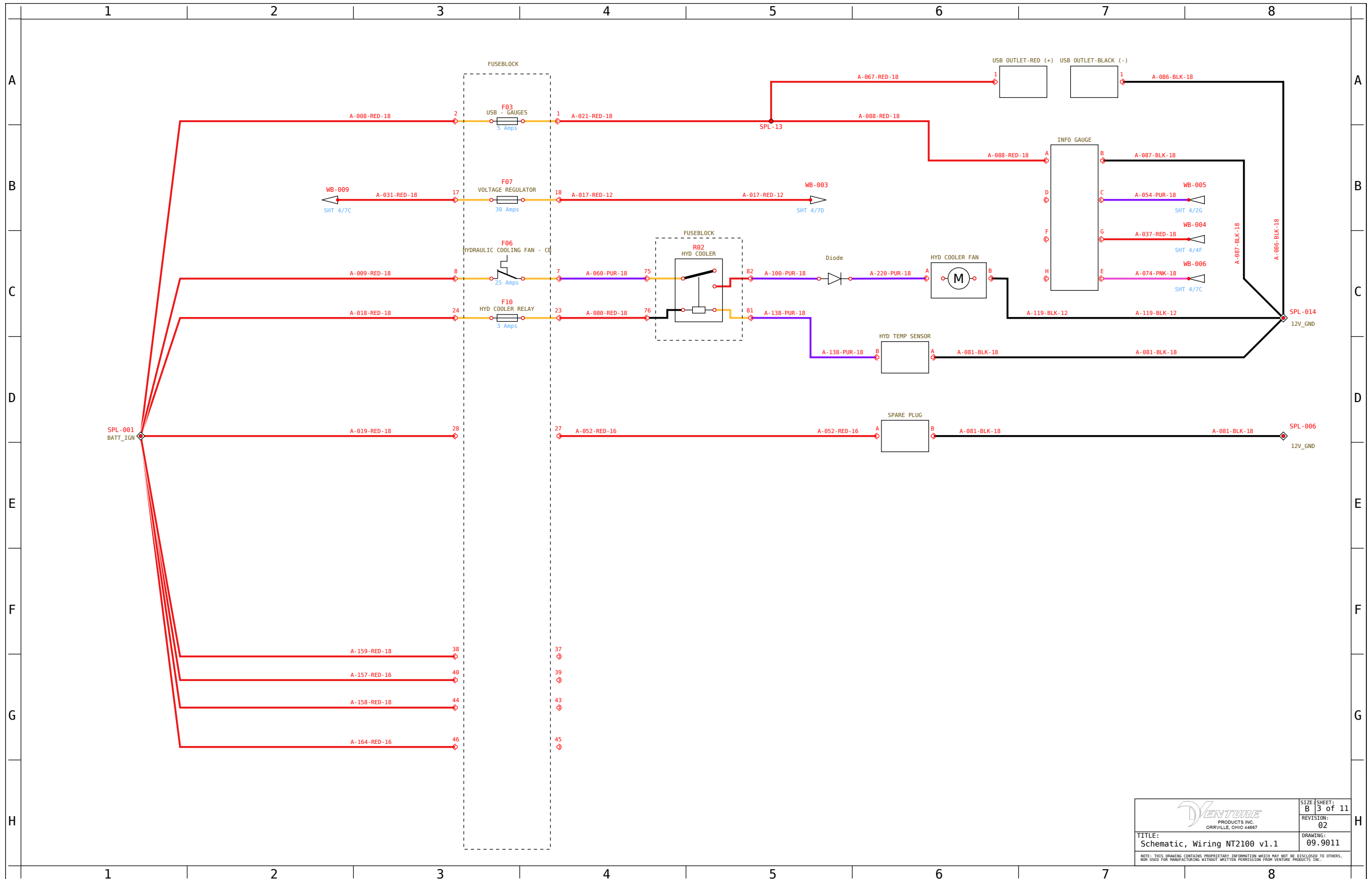
Fuse Value (Amps)	Color Code
3	Violet
5	Tan
10	Red
15	Blue
20	Yellow
30	Green

00.0498

LENGTH TOLERANCES: -UNLESS SPECIFIED OTHERWISE- 6.0 +0.50 -0.25 8.0 +0.38 -0.10 -0.50 38.0 +0.32 -0.25 -0.10 -22.0 +3.00 -1.50	VENTURE PRODUCTS INC. ORRVILLE, OHIO 44687	SIZE SHEET: B 2 of 13 REVISION: 03 DRAWING: 09.9011
MODIFIED DATE: 2018-08-07 MODIFIED BY: dan	TITLE: Schematic, Wiring NT2100 v1.1	NOTE: THIS DRAWING CONTAINS PROPRIETARY INFORMATION WHICH MAY NOT BE DISCLOSED TO OTHERS. NOR USED FOR MANUFACTURING WITHOUT WRITTEN PERMISSION FROM VENTURE PRODUCTS INC.

ELECTRICAL

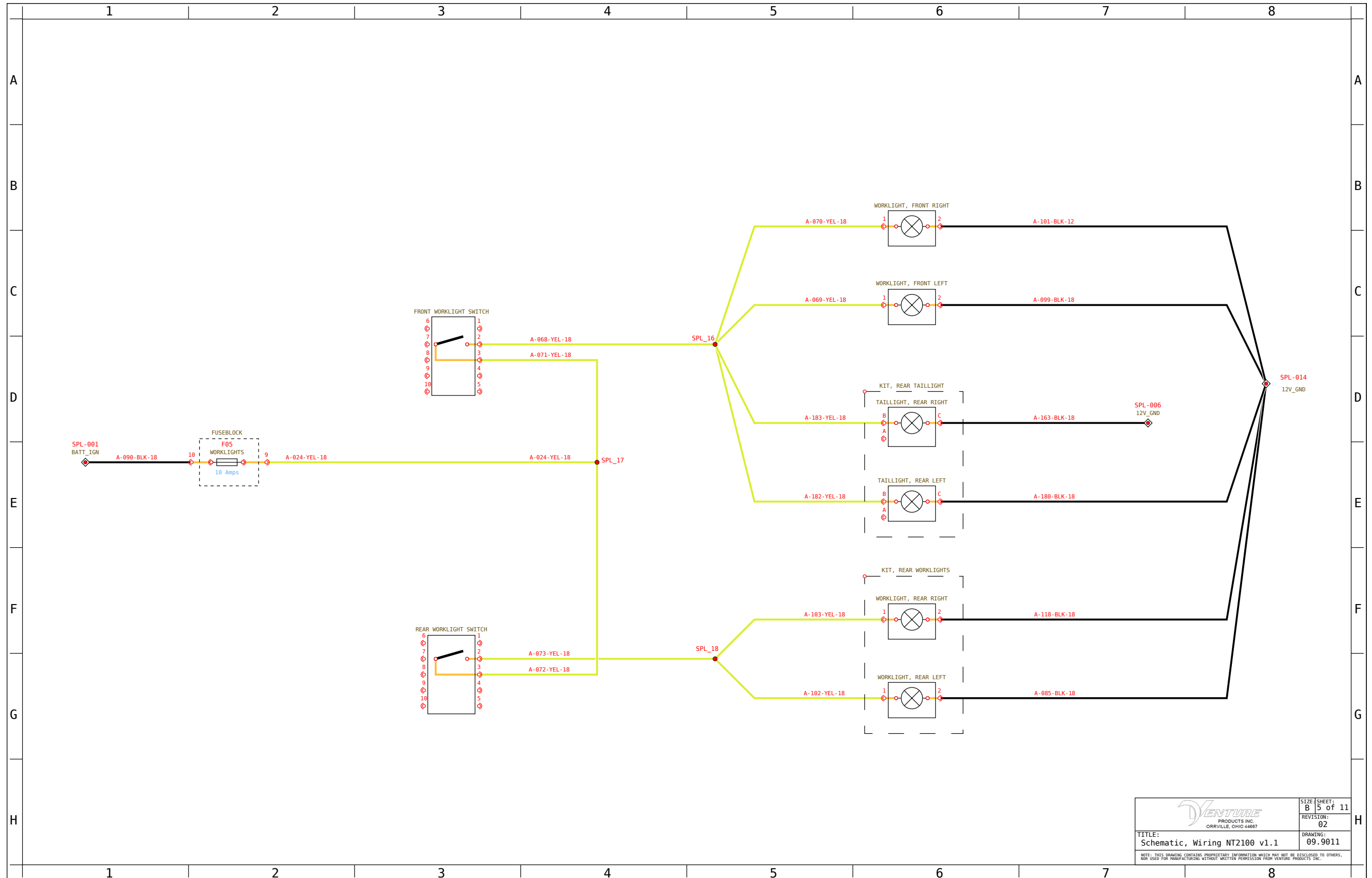
Fuse Block Functions



 VENTURE PRODUCTS INC. ORRVILLE, OHIO 44667	SIZE SHEET: B 3 of 11
	REVISION: 02
TITLE: Schematic, Wiring NT2100 v1.1	DRAWING: 09.9011
<small>NOTE: THIS DRAWING CONTAINS PROPRIETARY INFORMATION WHICH MAY NOT BE DISCLOSED TO OTHERS. NOT FOR MANUFACTURING WITHOUT WRITTEN PERMISSION FROM VENTURE PRODUCTS INC.</small>	

ELECTRICAL

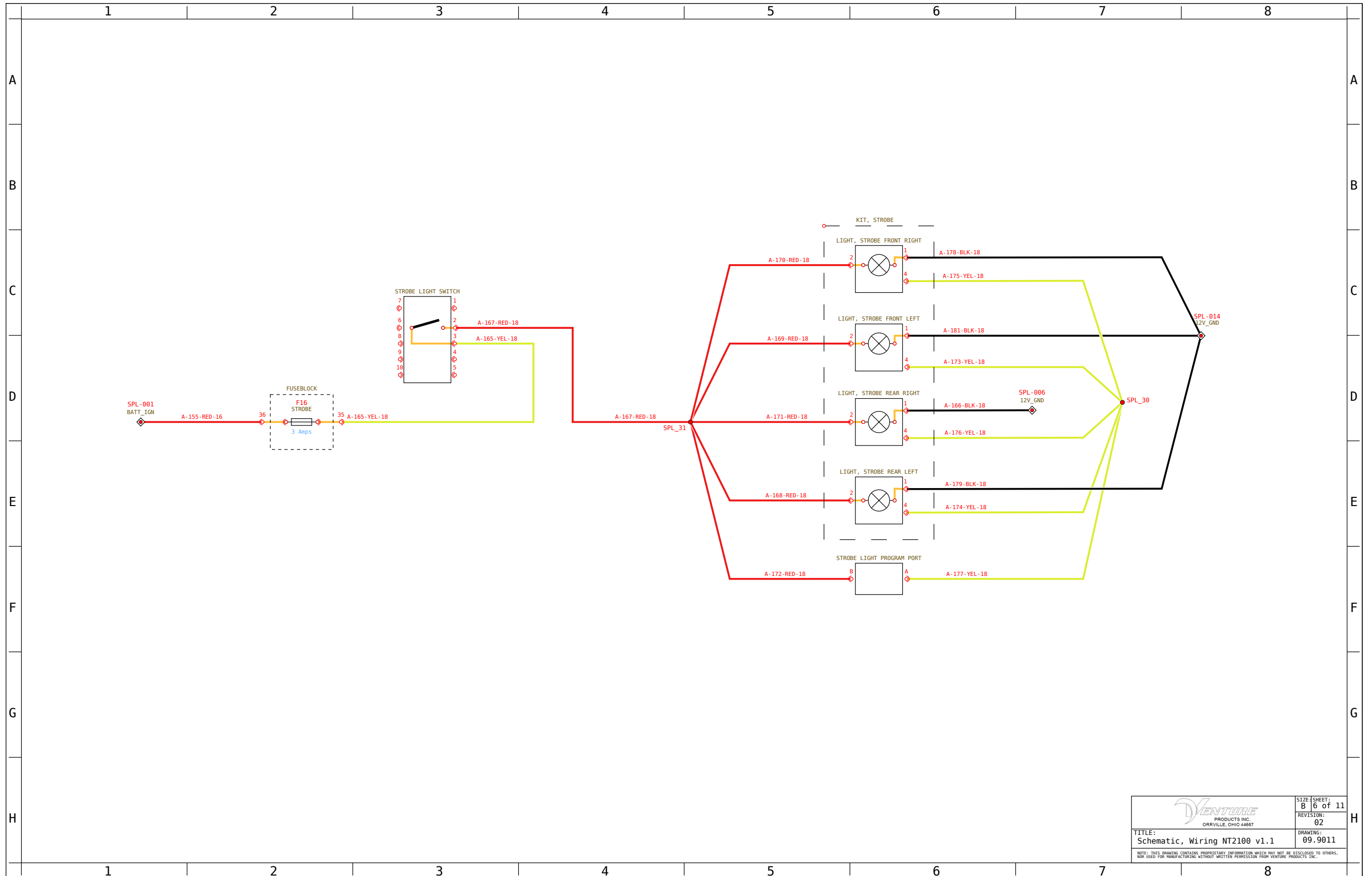
Work Lights & Tail Lights



 VENTURE PRODUCTS INC. ORRVILLE, OHIO 44667	SIZE SHEET: B 5 of 11
	REVISION: 02
TITLE: Schematic, Wiring NT2100 v1.1	DRAWING: 09.9011
<small>NOTE: THIS DRAWING CONTAINS PROPRIETARY INFORMATION WHICH MAY NOT BE DISCLOSED TO OTHERS, NOR USED FOR MANUFACTURING WITHOUT WRITTEN PERMISSION FROM VENTURE PRODUCTS, INC.</small>	

ELECTRICAL

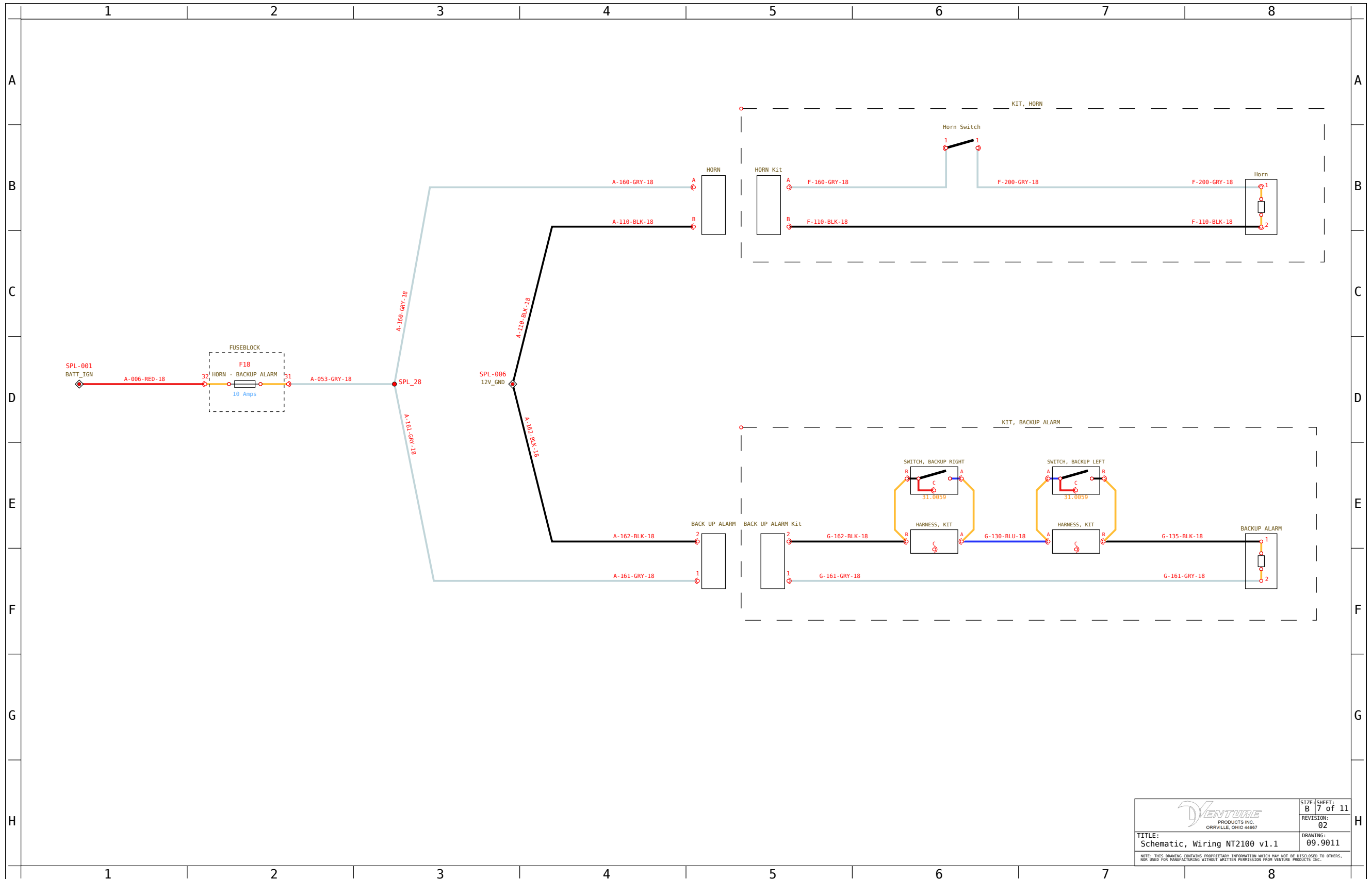
Strobe Lights



 VENTURE PRODUCTS INC. ORRVILLE, OHIO 44667	SIZE SHEET: B 6 of 11
	REVISION: 02
TITLE: Schematic, Wiring NT2100 v1.1	DRAWING: 09.9011
<small>NOTE: THIS DRAWING CONTAINS PROPRIETARY INFORMATION WHICH MAY NOT BE DISCLOSED TO OTHERS, NOR USED FOR MANUFACTURING WITHOUT WRITTEN PERMISSION FROM VENTURE PRODUCTS INC.</small>	

ELECTRICAL

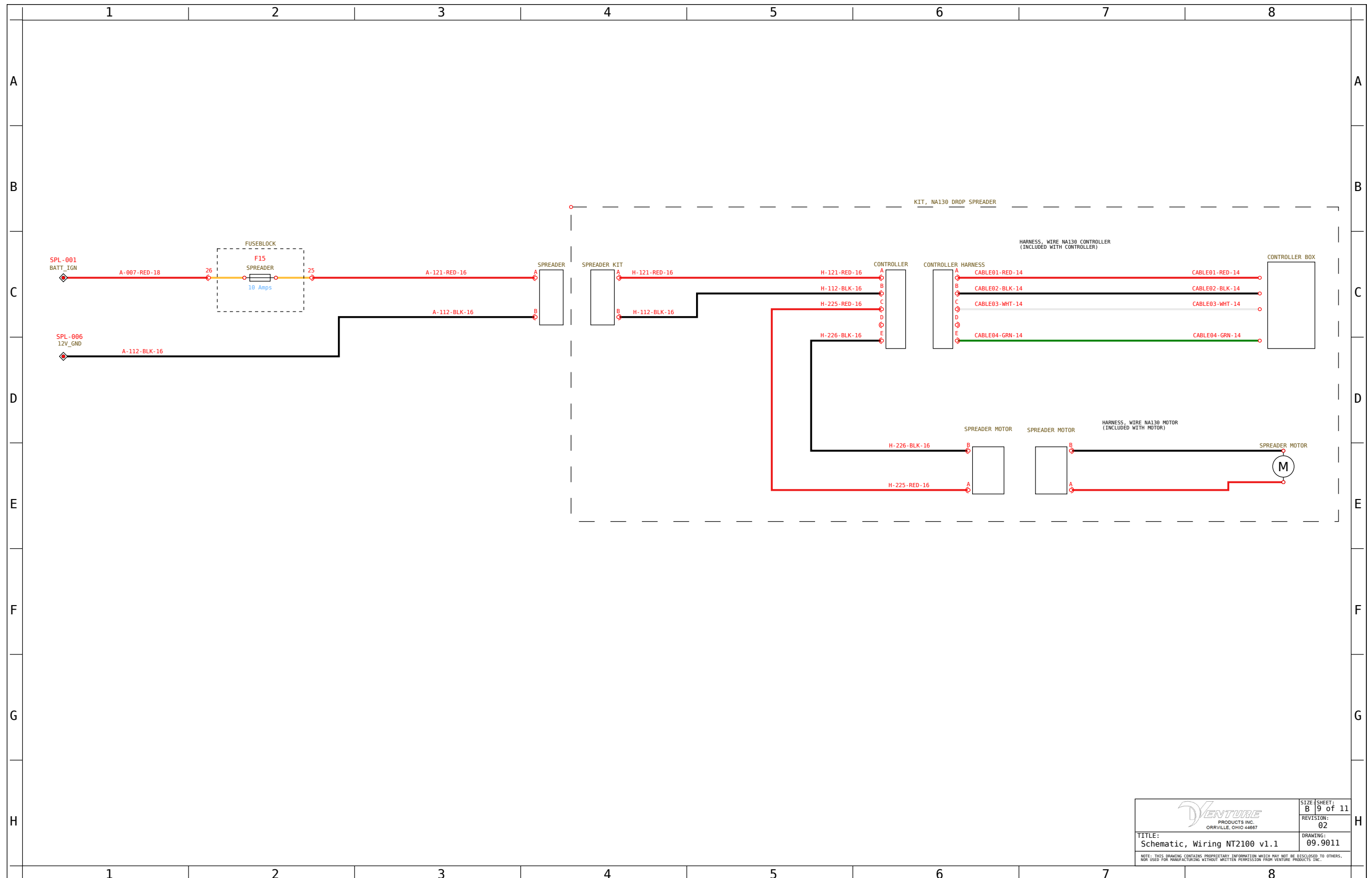
Horn / Backup Alarm



 VENTURE PRODUCTS INC. ORRVILLE, OHIO 44667	SIZE SHEET: B 7 of 11
	REVISION: 02
TITLE: Schematic, Wiring NT2100 v1.1	DRAWING: 09.9011
<small>NOTE: THIS DRAWING CONTAINS PROPRIETARY INFORMATION WHICH MAY NOT BE DISCLOSED TO OTHERS, NOR USED FOR MANUFACTURING WITHOUT WRITTEN PERMISSION FROM VENTURE PRODUCTS INC.</small>	

ELECTRICAL

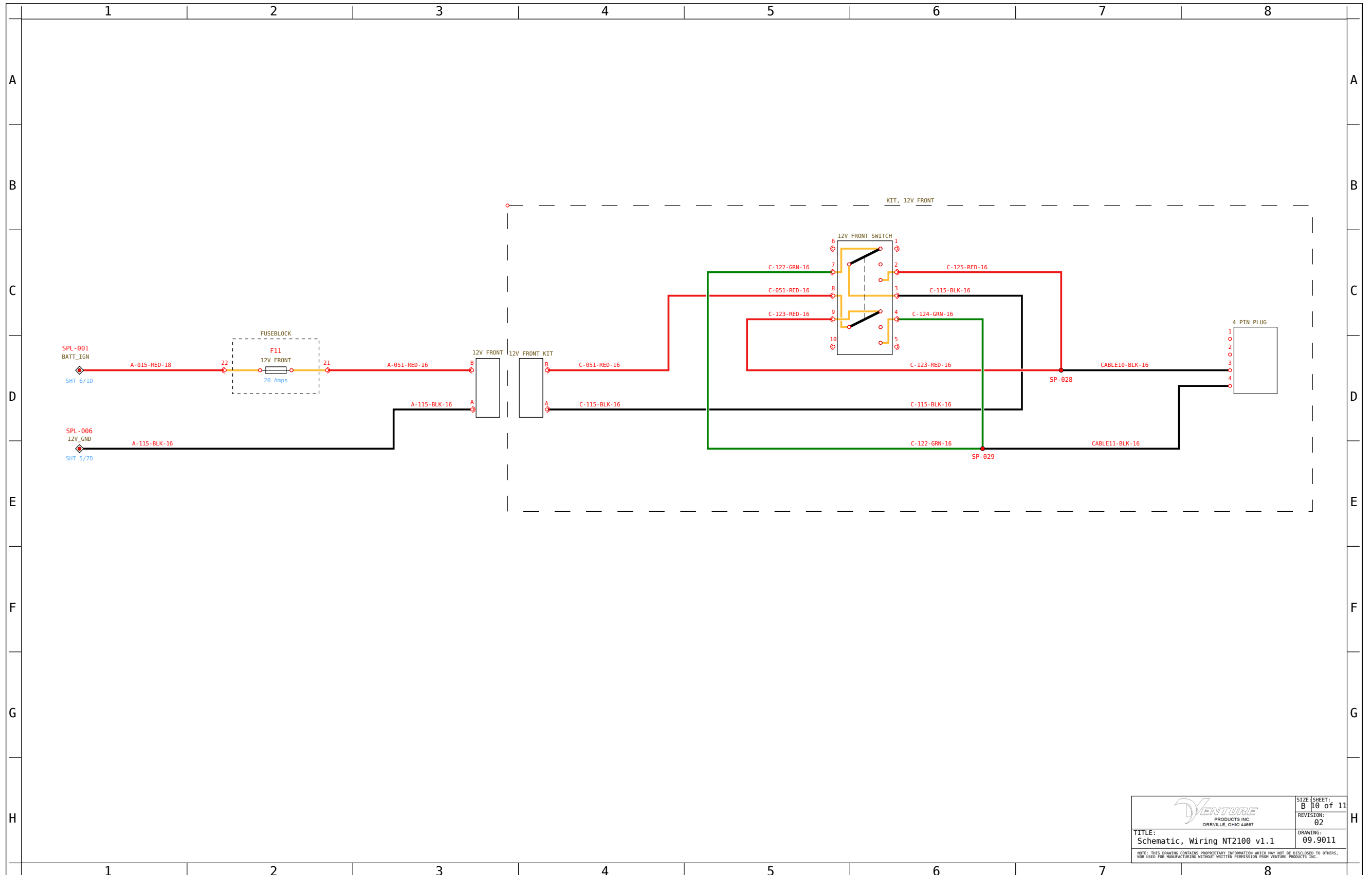
Drop Spreader




 VENTURE PRODUCTS INC. ORRVILLE, OHIO 44667	SIZE SHEET: B 9 of 11
	REVISION: 02
TITLE: Schematic, Wiring NT2100 v1.1	DRAWING: 09.9011
<small>NOTE: THIS DRAWING CONTAINS PROPRIETARY INFORMATION WHICH MAY NOT BE DISCLOSED TO OTHERS, NOR USED FOR MANUFACTURING WITHOUT WRITTEN PERMISSION FROM VENTURE PRODUCTS INC.</small>	

ELECTRICAL

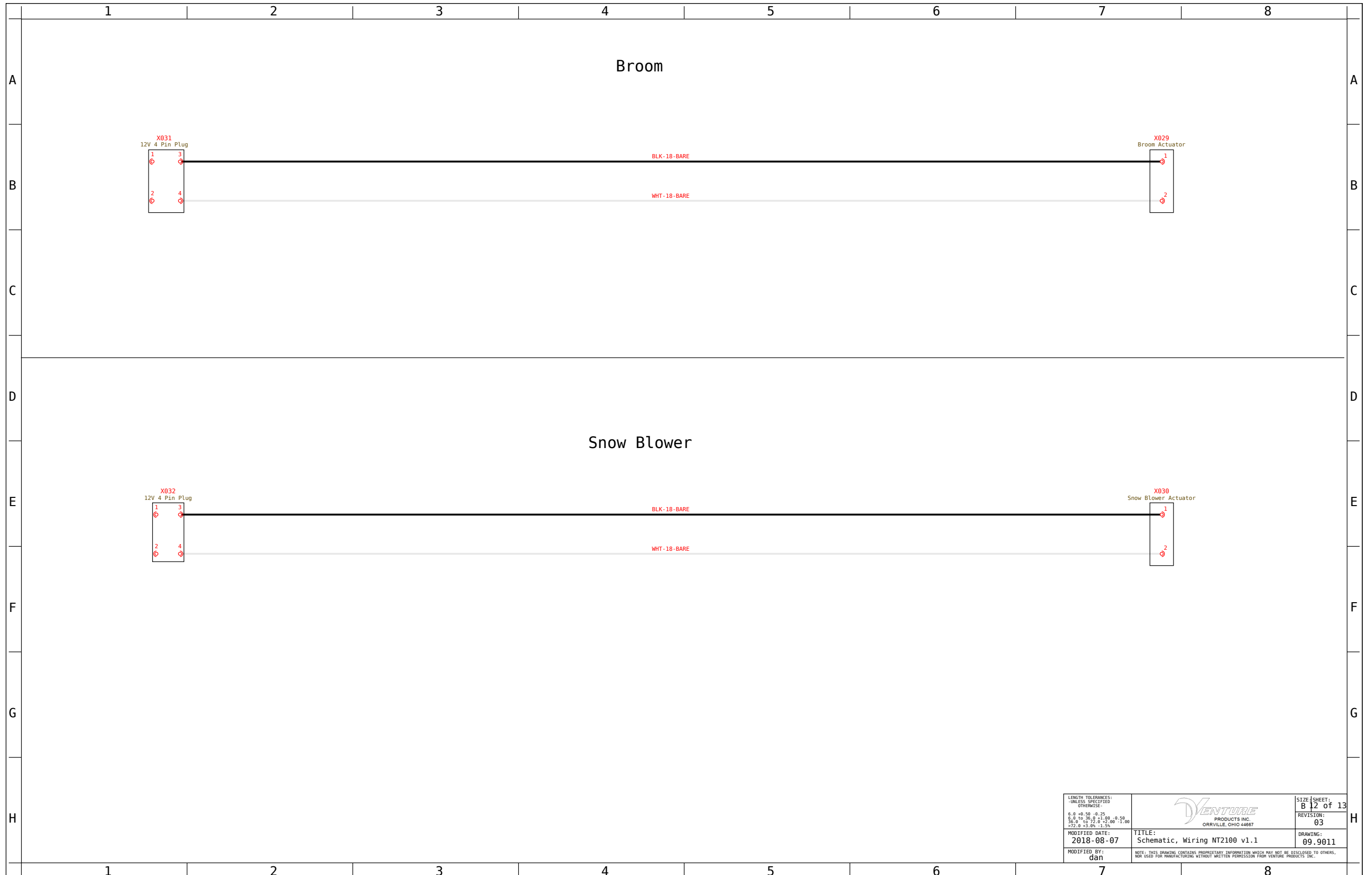
12 Volt Front



 VENTURE PRODUCTS INC. ORRVILLE, OHIO 44667	SIZE SHEET:
	B 10 of 11
TITLE:	REVISION:
Schematic, Wiring NT2100 v1.1	02
DRAWING:	
	09.9011
<small>NOTE: THIS DRAWING CONTAINS PROPRIETARY INFORMATION WHICH MAY NOT BE DISCLOSED TO OTHERS. NOR USED FOR MANUFACTURING WITHOUT WRITTEN PERMISSION FROM VENTURE PRODUCTS INC.</small>	

ELECTRICAL

12 Volt Actuator (Broom & Snowblower)



<small>LENGTH TOLERANCES: UNLESS SPECIFIED OTHERWISE: 6.0 +0.50 -0.25 6.0 to 25.0 +1.00 -0.50 25.0 to 50.0 +2.00 -1.00 50.0 to 75.0 +3.00 -1.50</small>	 <small>ORRVILLE, OHIO 44667</small>	<small>SIZE SHEET: B 12 of 13</small>
<small>MODIFIED DATE: 2018-08-07</small>	<small>TITLE: Schematic, Wiring NT2100 v1.1</small>	<small>REVISION: 03</small>
<small>MODIFIED BY: dan</small>	<small>NOTE: THIS DRAWING CONTAINS PROPRIETARY INFORMATION WHICH MAY NOT BE DISCLOSED TO OTHERS. NOT TO BE USED FOR MANUFACTURING WITHOUT WRITTEN PERMISSION FROM VENTURE PRODUCTS INC.</small>	<small>DRAWING: 09.9011</small>

Blank Page

ELECTRICAL

Wiring Diagram - Optional 30.0219 4-Pin Female Socket & 30.0218 4-Pin Male Plug

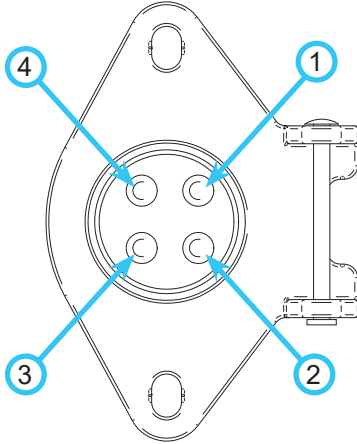


Attention

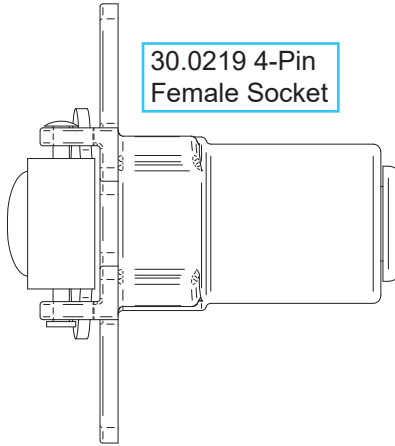
This connector (4-pin socket) is designed for use with Ventrac original equipment only. This connector (4-pin socket) is rated for 20 amp maximum current draw. Engine alternator and/or battery capacity determine allowable continuous draw.

30.0219 4-pin female socket is used in the 70.6006 12 Volt Front Kit.

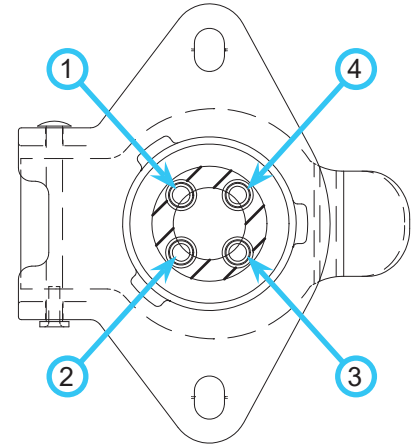
Front View of Socket
Without Cover



30.0219 4-Pin
Female Socket



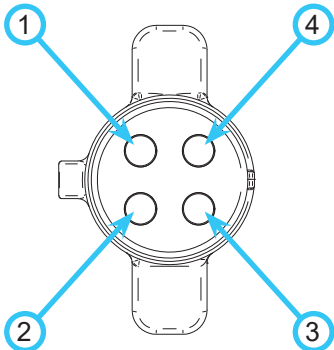
Rear View of Socket



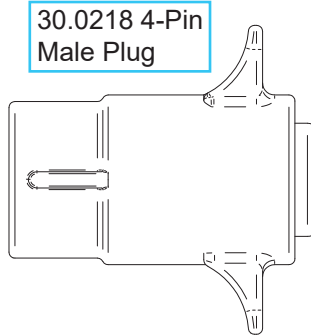
Terminal Position	Wire Color	Function
1	-	-
2	-	-
3	Green	Positive/Negative (Momentary Switched Reversing)
4	Red	Positive/Negative (Momentary Switched Reversing)

30.0218 4-pin plug is used on attachments to connect to the 30.0219 socket on the power unit.

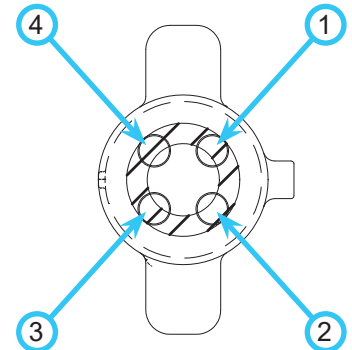
Front View of Plug



30.0218 4-Pin
Male Plug



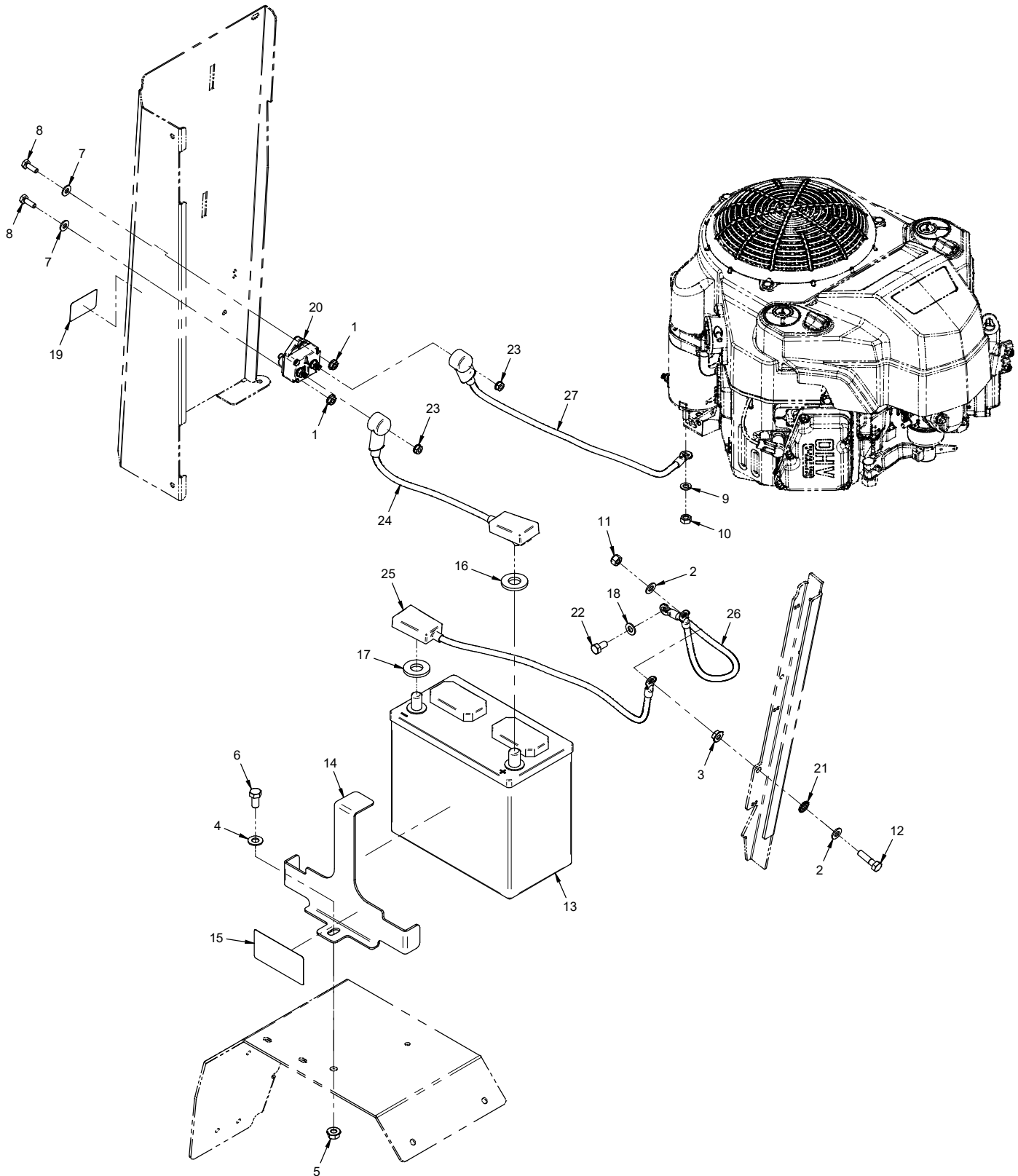
Rear View of Plug



Terminal Position	Wire Color	Function
1	-	-
2	-	-
3	Black	Positive/Negative (Momentary Switched Reversing)
4	White	Positive/Negative (Momentary Switched Reversing)

ELECTRICAL

ILLUSTRATED DRAWING Battery, Power Cables, & Ground Cables



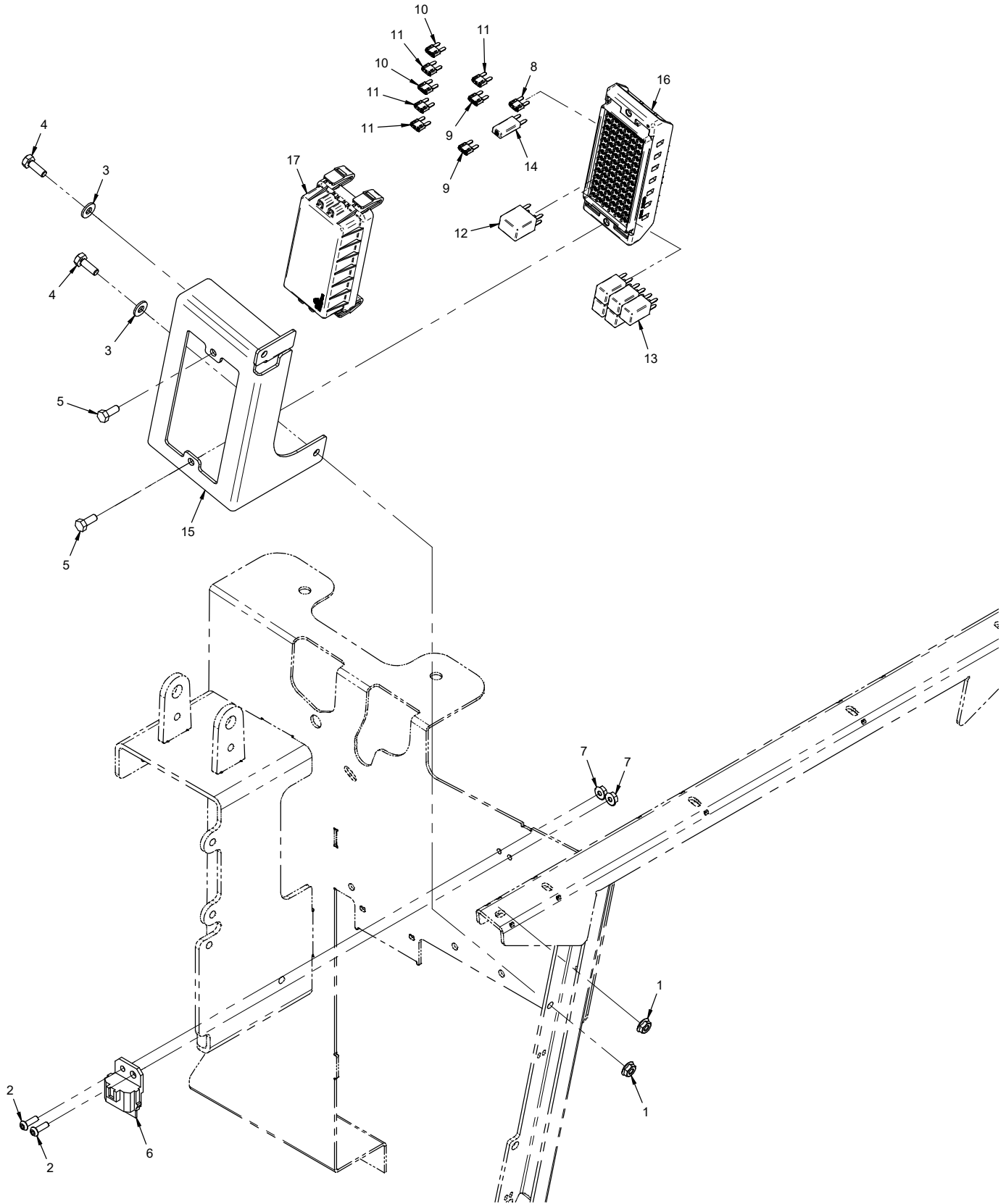
ELECTRICAL

Battery, Power Cables, & Ground Cables

REF.	PART NO.	DESCRIPTION	QTY.
1	99.SF04-3	.Nut, SRF 1/4-20 USS Stainless	2
2	95.05-3	.Washer, Flat 5/16 SAE SS	2
3	99.SF05-3	.Nut, SRF 5/16-18 USS Stainless	1
4	95.06-3	.Washer, Flat 3/8 SAE SS	1
5	99.SF06-3	.Nut, SRF 3/8-16 USS Stainless	1
6	90.0606-3	.Bolt, 3/8-16 USS x 3/4SS	1
7	95.04-3	.Washer, Flat 1/4 SAE SS	2
8	90.0406-3	.Bolt, 1/4-20 USS x 3/4 SS	2
9	96.05	.Washer, Lock 5/16	1
10	99.M0008	.Nut, M8 x 1.25MM ZP	1
11	99.A05N-3	.Locknut, Nylon 5/16-18 SS	1
12	90.0510-3	.Bolt, 5/16-18 USS x 1-1/4 SS	1
13	33.0060	.Battery, Group 51R	1
14	NT-1685	.Bracket, Battery Mount	1
15	00.0366	.Decal, Warning Battery	1
16	05.0121	.Washer, Anti Corrosion Red	1
17	05.0122	.Washer, Anti Corrosion Black	1
18	95.05	.Washer, Flat 5/16 SAE	1
19	00.0447	.Decal, Battery Disconnect	1
20	30.0501	.Breaker, Circuit 150A	1
21	99.G0003	.Washer, Star-External 5/16	1
22	99.M0014	.Bolt, M8 x 1.25 x 16mm	1
23	99.E0127	.Nut, 1/4-28 Ext. Tooth Lock Washer	2
24	32.0190	.Cable, Asm Pos 6Ga	1
25	32.0191	.Cable, Asm Neg 6Ga	1
26	32.0192	.Cable, Asm Neg 6Ga	1
27	32.0193	.Cable, Asm Pos 6Ga	1

ELECTRICAL

ILLUSTRATED DRAWING Fuse Panel & Time Delay



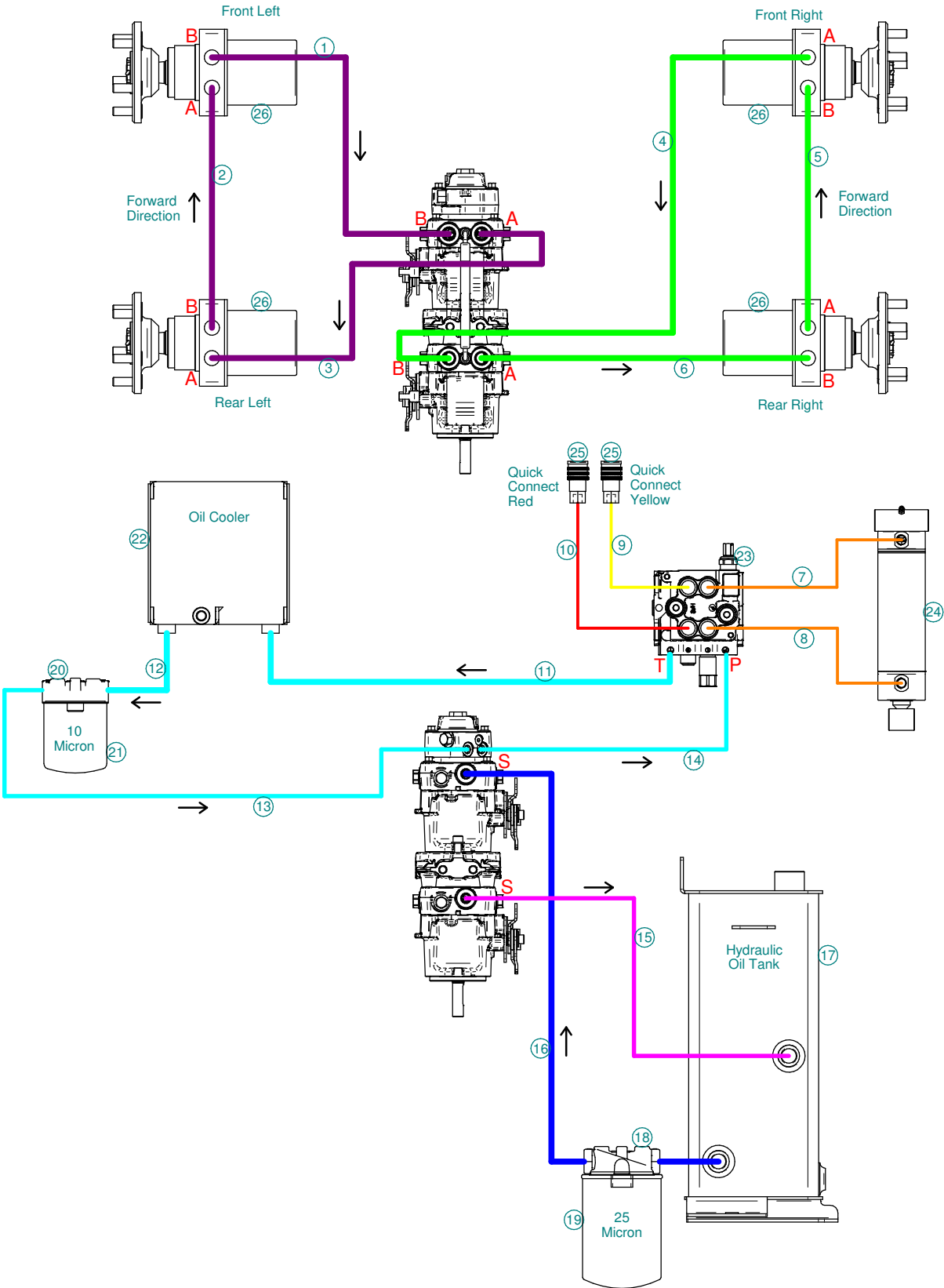
ELECTRICAL

Fuse Panel & Time Delay

REF.	PART NO.	DESCRIPTION	QTY.
1	99.SF04-3	.Nut, SRF 1/4-20 USS Stainless	2
2	99.K0149	.Machine Screw, BSCS #10-32 X 5/8 SS	2
3	95.04-3	.Washer, Flat 1/4 SAE SS	2
4	90.0406-3	.Bolt, 1/4-20 USS x 3/4 SS	2
5	99.M0038	.Bolt, M6 X 1.0 X 16MM SS	2
6	35.0106	.Time Delay, .5 Second	1
7	99.E0125	.Nut, SRF #10-32 Stainless	2
8	30.0332	.Fuse, 5 Amp Mini Tan	1
9	30.0333	.Fuse, 10 Amp Mini Red	2
10	30.0337	.Fuse, 30 Amp Mini Green	2
11	30.0531	.Fuse, 3 Amp Mini Violet	4
12	35.0117	.Relay, 12v 35/20 Amp 280 Micro	1
13	35.0158	.Relay, 12V 20 Amp 280 Ultra Micro	5
14	30.0429	.Breaker, Circuit 25 Amp Mini	1
15	NT-1620	.Bracket, Fuse Panel Mount	1
16	30.0502	.Fuse Panel, 84 Pos Mini	1
17	30.0504	.Cover, Fuse Panel NT2100	1

HYDRAULICS

ILLUSTRATED DRAWING Hydraulic Diagram



HYDRAULICS

Hydraulic Diagram

REF.	PART NO.	DESCRIPTION	QTY.
1	20.0324	.Hose, 1/2x48.50 SAE 100R17AR.	1
2	20.0326	.Hose, 1/2x37.50 SAE 100R17AR.	1
3	20.0323	.Hose, 1/2x30.00 SAE 100R17AR.	1
4	20.0327	.Hose, 1/2x46.50 SAE 100R17AR.	1
5	20.0325	.Hose, 1/2x32.50 SAE 100R17AR.	1
6	20.0328	.Hose, 1/2x32.50 SAE 100R17AR.	1
7	20.0331	.Hose, 1/4x62.00 SAE 100R17AR.	1
8	20.0330	.Hose, 1/4x57.00 SAE 100R17AR.	1
9	20.0333	.Hose, 1/4x47.00 SAE 100R17AR.	1
10	20.0332	.Hose, 1/4x44.00 SAE 100R17AR.	1
11	22.0074	.Hose, 1/2x42.00 SAE J1402	1
12	22.0075	.Hose, 1/2x39.50 SAE J1402	1
13	20.0336	.Hose, 3/8x9.00 SAE 100R17AR.	1
14	20.0329	.Hose, 3/8x23.00 SAE 100R17AR.	1
15	20.0334	.Hose, 3/8x13.00 SAE 100R17AR.	1
16	20.0335	.Hose, Formed - Suct. Filter To Pump	1
17	NT-6100	.Tank, Hydraulic Oil	1
18	21.0115	.Filter, Head 08 SAE Port	1
19	21.0122	.Filter, Hyd. 25 Micron Syn.	1
20	21.0123	.Filter, Head 06 ORB	1
21	21.0124	.Filter, Hyd. 10 Micron Cel.	1
22	21.0121	.Cooler, Hydraulic	1
23	23.0174	.Valve, HYD 2 SPL w/Float	1
24	23.0173	.Cylinder, 2-1/2" x 6"	1
25	23.0177	.Coupler, Female Flat Face Quick 1/4	2
26	21.0130	.Motor, Wheel Parker (Serial # 01001-03172)	4
26	21.0156	.Motor, Wheel Parker (Serial # 03173-)	4

HYDRAULICS

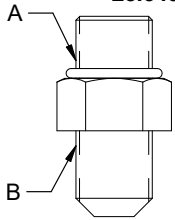
O-Ring Chart

Straight Thread O-Ring Boss - O-Ring Replacement Part Numbers						
SAE Fitting Size	Thread Size	VPI Part #	ID	OD	Width	AS568A Dash #
-04	7/16-20	26.0035	0.351"	0.495"	0.072"	904
-06	9/16-18	26.0036	0.468"	0.624"	0.078"	906
-08	3/4-16	26.0037	0.644"	0.818"	0.087"	908
-10	7/8-14	26.0038	0.755"	0.949"	0.097"	910
-12	1-1/16-12	26.0039	0.924"	1.156"	0.116"	912
-16	1-5/16-12	26.0043	1.171"	1.403"	0.116"	916

O-Ring Face Seal Hose - O-Ring Replacement Part Numbers						
SAE Fitting Size	Thread Size	VPI Part #	ID	OD	Width	AS568A Dash #
-04	9/16-18	26.0044	0.301"	0.441"	0.070"	011
-06	11/16-16	26.0025	0.364"	0.504"	0.070"	012
-08	13/16-16	26.0009	0.489"	0.629"	0.070"	014
-10	1-14	26.0023	0.614"	0.754"	0.070"	016
-12	1-3/16-12	26.0045	0.739"	0.879"	0.070"	018
-16	1-7/16-12	26.0046	0.926"	1.066"	0.070"	021

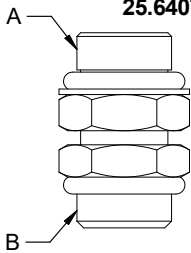
Fitting Chart

25.6400-(xx)-(xx) Fitting



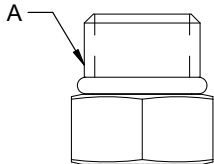
Fitting End A		O-Ring		Fitting End B		O-Ring	
SAE Fitting Size	Thread Size	AS568A Dash #	VPI Part #	SAE Fitting Size	Thread Size	AS568A Dash #	VPI Part #
-04	7/16-20	904	26.0035	-04	7/16-20	-	-
-06	9/16-18	906	26.0036	-06	9/16-18	-	-
-08	3/4-16	908	26.0037	-08	3/4-16	-	-
-10	7/8-14	910	26.0038	-10	7/8-14	-	-
-12	1-1/16-12	912	26.0039	-12	1-1/16-12	-	-
-16	1-5/16-12	916	26.0043	-16	1-5/16-12	-	-

25.6407-(xx)-(xx) Fitting



Fitting End A		O-Ring		Fitting End B		O-Ring	
SAE Fitting Size	Thread Size	AS568A Dash #	VPI Part #	SAE Fitting Size	Thread Size	AS568A Dash #	VPI Part #
-04	7/16-20	904	26.0035	-04	7/16-20	904	26.0035
-06	9/16-18	906	26.0036	-06	9/16-18	906	26.0036
-08	3/4-16	908	26.0037	-08	3/4-16	908	26.0037
-10	7/8-14	910	26.0038	-10	7/8-14	910	26.0038
-12	1-1/16-12	912	26.0039	-12	1-1/16-12	912	26.0039
-16	1-5/16-12	916	26.0043	-16	1-5/16-12	916	26.0043

25.6408-(xx) Plug

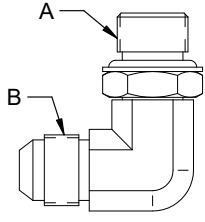


Fitting End A		O-Ring	
SAE Fitting Size	Thread Size	AS568A Dash #	VPI Part #
-04	7/16-20	904	26.0035
-06	9/16-18	906	26.0036
-08	3/4-16	908	26.0037
-10	7/8-14	910	26.0038
-12	1-1/16-12	912	26.0039
-16	1-5/16-12	916	26.0043

HYDRAULICS

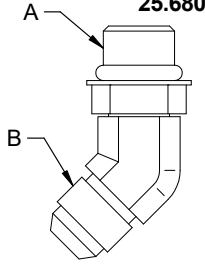
Fitting Chart

25.6801-(xx)-(xx) Fitting



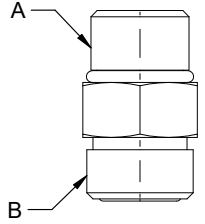
Fitting End A		O-Ring		Fitting End B		O-Ring	
SAE Fitting Size	Thread Size	AS568A Dash #	VPI Part #	SAE Fitting Size	Thread Size	AS586A Dash #	VPI Part #
-04	7/16-20	904	26.0035	-04	7/16-20	-	-
-06	9/16-18	906	26.0036	-06	9/16-18	-	-
-08	3/4-16	908	26.0037	-08	3/4-16	-	-
-10	7/8-14	910	26.0038	-10	7/8-14	-	-
-12	1-1/16-12	912	26.0039	-12	1-1/16-12	-	-
-16	1-5/16-12	916	26.0043	-16	1-5/16-12	-	-

25.6802-(xx)-(xx) Fitting



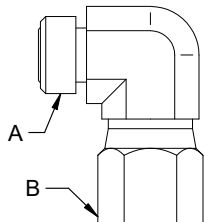
Fitting End A		O-Ring		Fitting End B		O-Ring	
SAE Fitting Size	Thread Size	AS568A Dash #	VPI Part #	SAE Fitting Size	Thread Size	AS586A Dash #	VPI Part #
-04	7/16-20	904	26.0035	-04	7/16-20	-	-
-06	9/16-18	906	26.0036	-06	9/16-18	-	-
-08	3/4-16	908	26.0037	-08	3/4-16	-	-
-10	7/8-14	910	26.0038	-10	7/8-14	-	-
-12	1-1/16-12	912	26.0039	-12	1-1/16-12	-	-
-16	1-5/16-12	916	26.0043	-16	1-5/16-12	-	-

25.FF6400-(xx)-(xx) Fitting



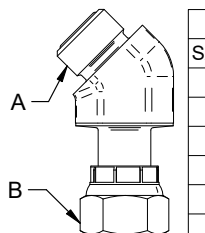
Fitting End A		O-Ring		Fitting End B		O-Ring	
SAE Fitting Size	Thread Size	AS568A Dash #	VPI Part #	SAE Fitting Size	Thread Size	AS586A Dash #	VPI Part #
-04	7/16-20	904	26.0035	-04	9/16-18	011	26.0044
-06	9/16-18	906	26.0036	-06	11/16-16	012	26.0025
-08	3/4-16	908	26.0037	-08	13/16-16	014	26.0009
-10	7/8-14	910	26.0038	-10	1-14	016	26.0023
-12	1-1/16-12	912	26.0039	-12	1-3/16-12	018	26.0045
-16	1-5/16-12	916	26.0043	-16	1-7/16-12	021	26.0046

25.FF6500-(xx)-(xx) Fitting



Fitting End A		O-Ring		Fitting End B		O-Ring	
SAE Fitting Size	Thread Size	AS568A Dash #	VPI Part #	SAE Fitting Size	Thread Size	AS586A Dash #	VPI Part #
-04	9/16-18	011	26.0044	-04	9/16-18	-	-
-06	11/16-16	012	26.0025	-06	11/16-16	-	-
-08	13/16-16	014	26.0009	-08	13/16-16	-	-
-10	1-14	016	26.0023	-10	1-14	-	-
-12	1-3/16-12	018	26.0045	-12	1-3/16-12	-	-
-16	1-7/16-12	021	26.0046	-16	1-7/16-12	-	-

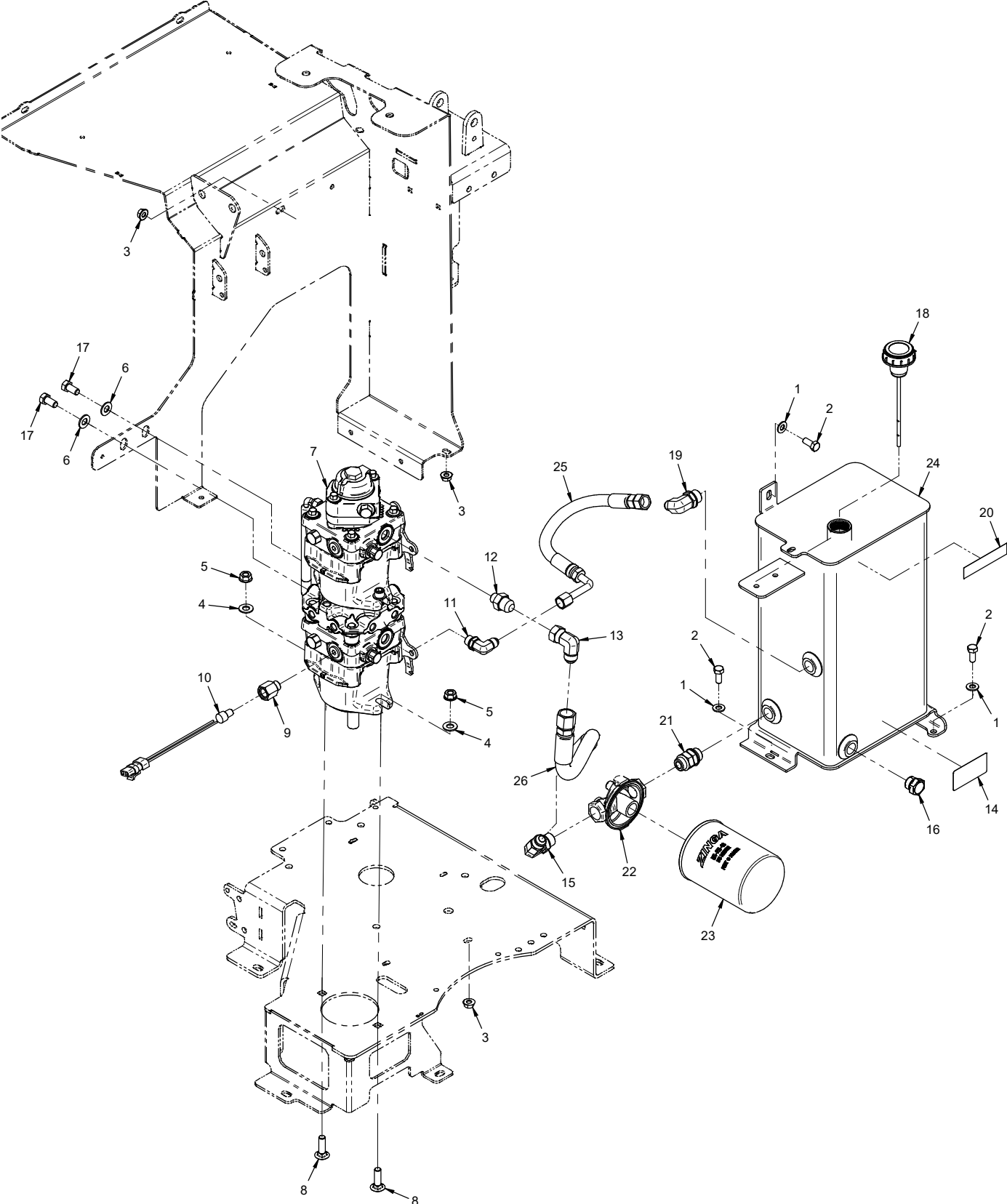
25.FF6502-(xx)-(xx) Fitting



Fitting End A		O-Ring		Fitting End B		O-Ring	
SAE Fitting Size	Thread Size	AS568A Dash #	VPI Part #	SAE Fitting Size	Thread Size	AS586A Dash #	VPI Part #
-04	9/16-18	011	26.0044	-04	9/16-18	-	-
-06	11/16-16	012	26.0025	-06	11/16-16	-	-
-08	13/16-16	014	26.0009	-08	13/16-16	-	-
-10	1-14	016	26.0023	-10	1-14	-	-
-12	1-3/16-12	018	26.0045	-12	1-3/16-12	-	-
-16	1-7/16-12	021	26.0046	-16	1-7/16-12	-	-

HYDRAULICS

ILLUSTRATED DRAWING Hydraulic Oil Tank, Pump Assembly, & Main Hydraulic Filter



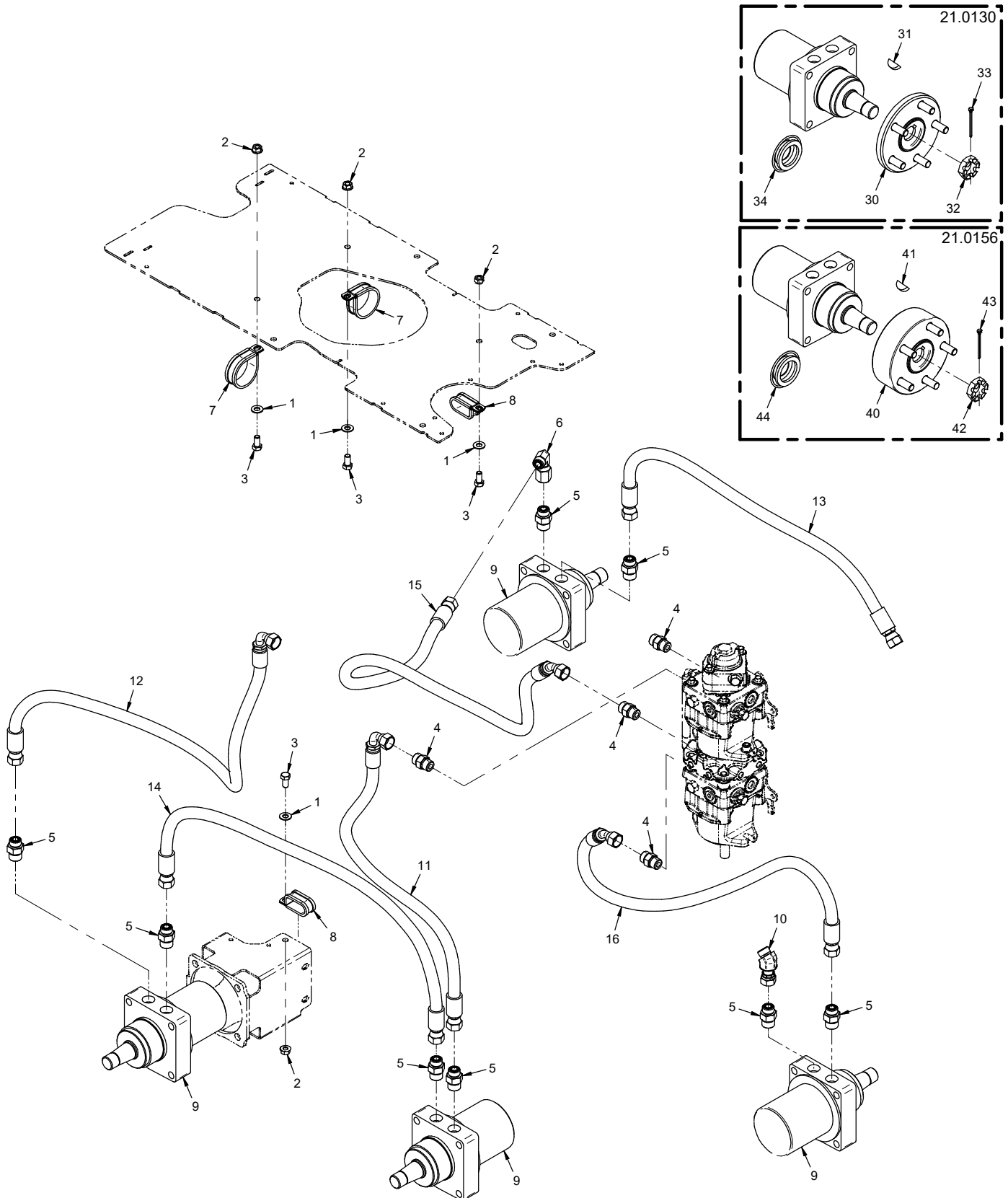
HYDRAULICS

Hydraulic Oil Tank, Pump Assembly, & Main Hydraulic Filter

REF.	PART NO.	DESCRIPTION	QTY.
1	95.05-3	.Washer, Flat 5/16 SAE SS	3
2	90.0506-3	.Bolt, 5/16-18 USS x 3/4 SS	3
3	99.SF05-3	.Nut, SRF 5/16-18 USS Stainless	3
4	95.06-3	.Washer, Flat 3/8 SAE SS	2
5	99.SF06-3	.Nut, SRF 3/8-16 USS Stainless	2
6	95.06	.Washer, Flat 3/8 SAE	2
7	21.0131	.Pump, Hydrogear Tandem Asm	1
8	97.0610-3	.Bolt, Carriage 3/8-16 x 1-1/4 SS	2
9	24.0018	.Fitting, Str 06MORB x 06FORB Drilled .391"	1
10	13.0326	.Switch, Temp -06 SAE ORB	1
11	25.6801-06-06-CP	.Fitting, 90 ME 3/8 x 3/8	1
12	25.6400-08-06-CP	.Fitting, M Conn 1/2 x 3/8	1
13	25.6500-08-08-CP	.Fitting, 90 MFE 1/2 x 1/2	1
14	00.0374	.Decal, Hot Surface	1
15	25.6801-08-08-CP	.Fitting, 90 ME 1/2 x 1/2	1
16	25.6408-08-CP	.Fitting, Plug 8MB	1
17	90.0606	.Bolt, 3/8-16 USS x 3/4	2
18	23.0175	.Dip Stick, Asm 5-1/4"	1
19	25.6801-06-08-CP	.Fitting, 90 ME 3/8 X 1/2	1
20	00.0148	.Decal, Hyd. Oil 3-7/16 x 3/4	1
21	25.6407-08-08-CP	.Fitting, M. Adapter -08 X -08	1
22	21.0115	.Filter, Head 08 SAE Port	1
23	21.0122	.Filter, Hyd. 25 Micron Syn	1
24	NT-6100	.Tank, Hydraulic Oil	1
25	20.0334	.Hose, 3/8x13.00 SAE 100R17AR	1
26	20.0335	.Hose, Formed - Suct. Filter To Pump	1

HYDRAULICS

ILLUSTRATED DRAWING Hydraulic Drive Circuit



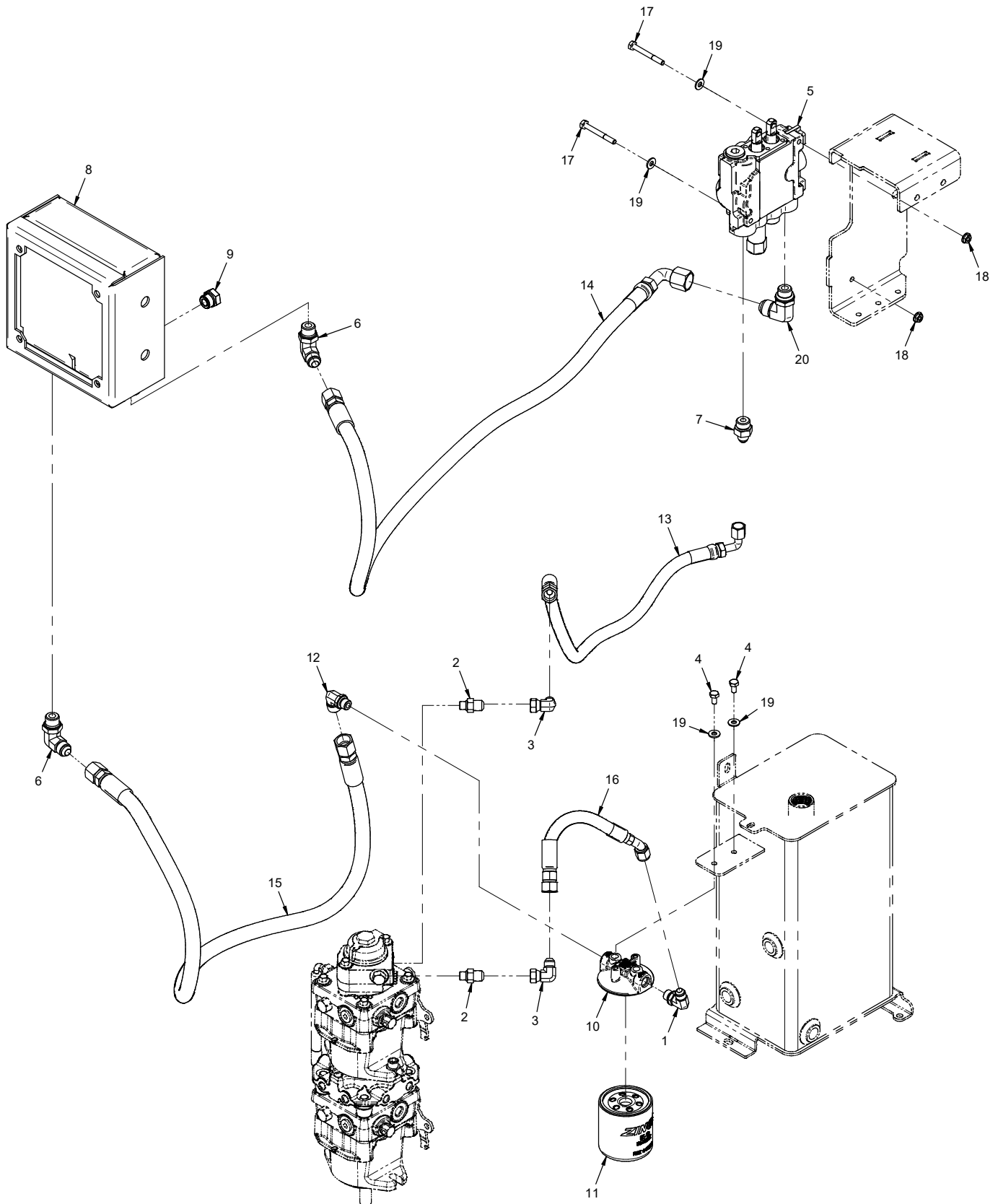
HYDRAULICS

Hydraulic Drive Circuit

REF.	PART NO.	DESCRIPTION	QTY.
1	95.06-3	.Washer, Flat 3/8 SAE SS	4
2	99.SF06-3	.Nut, SRF 3/8-16 USS Stainless	4
3	90.0606-3	.Bolt, 3/8-16 USS x 3/4SS	4
4	25.FF6400-08-08-CP	.Fitting, Connector 8MFF x 8MB	4
5	25.FF6400-08-10-CP	.Fitting, Connector 8MFF x 10MB	8
6	25.FF6500-08-08-CP	.Fitting, 90 Elbow 8MFF x 8FSX	1
7	11.0065	.Clamp, Cushioned 2"	2
8	11.0071	.Clamp, Cushioned 3/4" 2-Tube	2
9	21.0130	.Motor, Wheel Parker (Serial # 01001-03172)	4
9	21.0156	.Motor, Wheel Parker (Serial # 03173-)	4
10	25.FF6502-08-08-CP	.Fitting, 45 Elbow 8MFF x 8FFS	1
11	20.0323	.Hose, 1/2x30.00 SAE 100R17AR	1
12	20.0324	.Hose, 1/2x48.50 SAE 100R17AR	1
13	20.0325	.Hose, 1/2x32.50 SAE 100R17AR	1
14	20.0326	.Hose, 1/2x37.50 SAE 100R17AR	1
15	20.0327	.Hose, 1/2x46.50 SAE 100R17AR	1
16	20.0328	.Hose, 1/2x32.50 SAE 100R17AR	1
30	53.0181	.Hub, Wheel 5 Bolt 1-1/4" Taper Bore	1
31	85.W0508	.Key, Woodruff 5/16 x 1	1
32	99.E0069	.Nut, Castle 1"-20 UNEF	1
33	02.CP0516	.Cotter Pin, 5/32 x 2	1
34	89.0105	.Kit, Seal Parker TJ Series Wheel Motor	1
40	53.0220	.Hub, Cast Wheel 5 Bolt 1-1/4" Taper Bore	1
41	85.W0508	.Key, Woodruff 5/16 x 1	1
42	99.E0069	.Nut, Castle 1"-20 UNEF	1
43	02.CP0516	.Cotter Pin, 5/32 x 2	1
44	89.0105	.Kit, Seal Parker TJ Series Wheel Motor	1

HYDRAULICS

ILLUSTRATED DRAWING Hydraulic Auxiliary Circuit



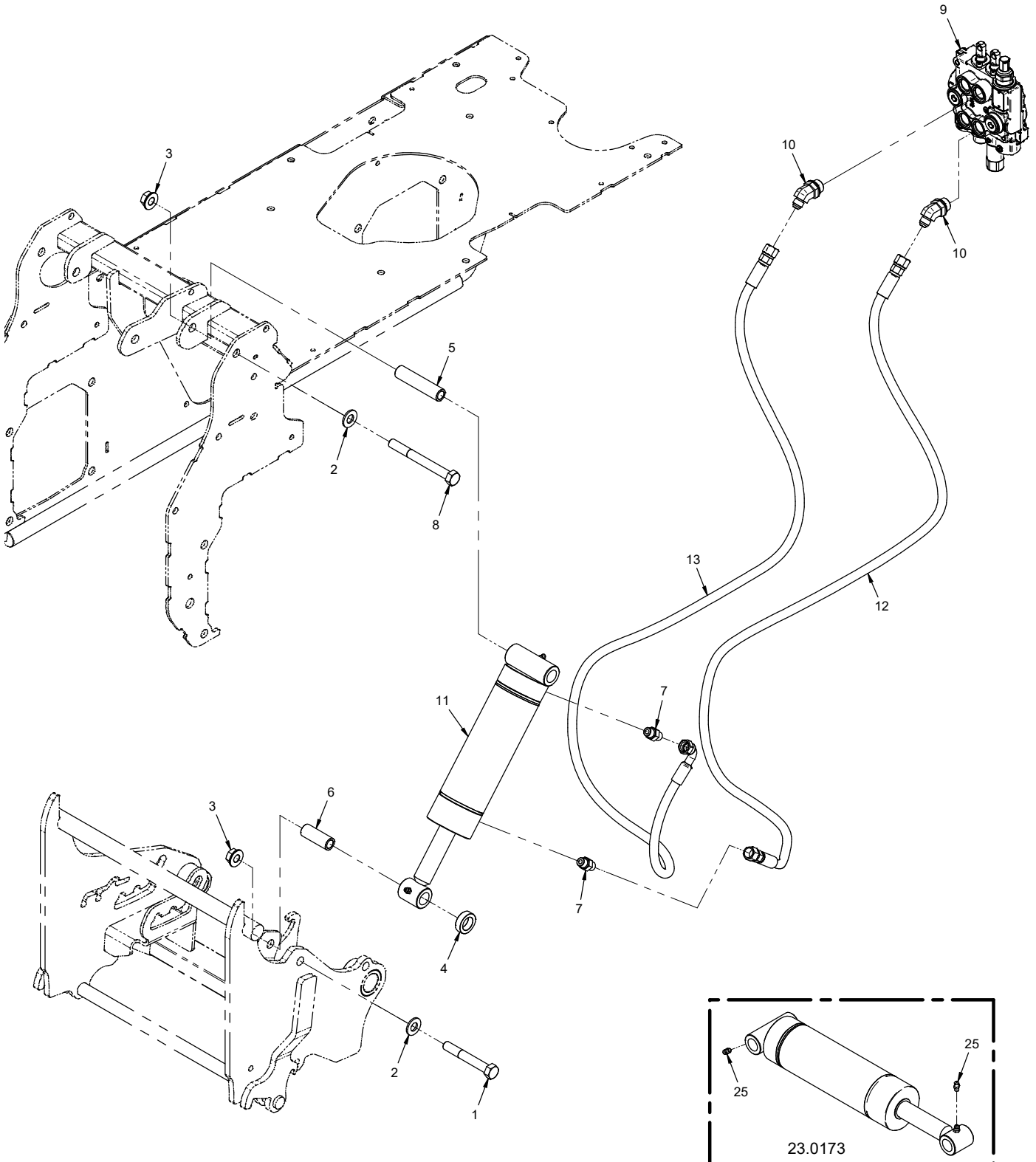
HYDRAULICS

Hydraulic Auxiliary Circuit

REF.	PART NO.	DESCRIPTION	QTY.
1	25.6801-06-06-CP	.Fitting, 90 ME 3/8 x 3/8	1
2	25.6400-06-04-CP	.Fitting, M Conn 3/8 X 1/4	2
3	25.6500-06-06-CP	.Fitting, 90 MFE 3/8 x 3/8	2
4	90.0404-3	.Bolt, 1/4-20 USS x 1/2 SS	2
5	23.0174	.Valve, Hyd 2 Spl w/Float	1
6	25.6801-08-08-CP	.Fitting, 90 ME 1/2 x 1/2	2
7	25.6400-06-08-CP	.Fitting, M Conn 3/8 x 1/2	1
8	21.0121	.Cooler, Hydraulic	1
9	25.6408-08-CP	.Fitting, Plug 8MB	1
10	21.0123	.Filter, Head 06 ORB	1
11	21.0124	.Filter, Hyd. 10 Micron Cel.	1
12	25.6801-08-06-CP	.Fitting, 90 ME 1/2 x 3/8	1
13	20.0329	.Hose, 3/8x23.00 SAE 100R17AR	1
14	22.0074	.Hose, 1/2 x 42.00 SAE J1402	1
15	22.0075	.Hose, 1/2 x 39.50 SAE J1402	1
16	20.0336	.Hose, 3/8x9.00 SAE 100R17AR	1
17	90.0418-3	.Bolt, 1/4-20 USS x 2-1/4 SS	2
18	99.SF04-3	.Nut, SRF 1/4-20 USS Stainless	2
19	95.04-3	.Washer, Flat 1/4 SAE SS	4
20	25.6801-10-08-CP	.Fitting, 90 ME 5/8 x 1/2	1

HYDRAULICS

ILLUSTRATED DRAWING Front Hitch Hydraulic Lift



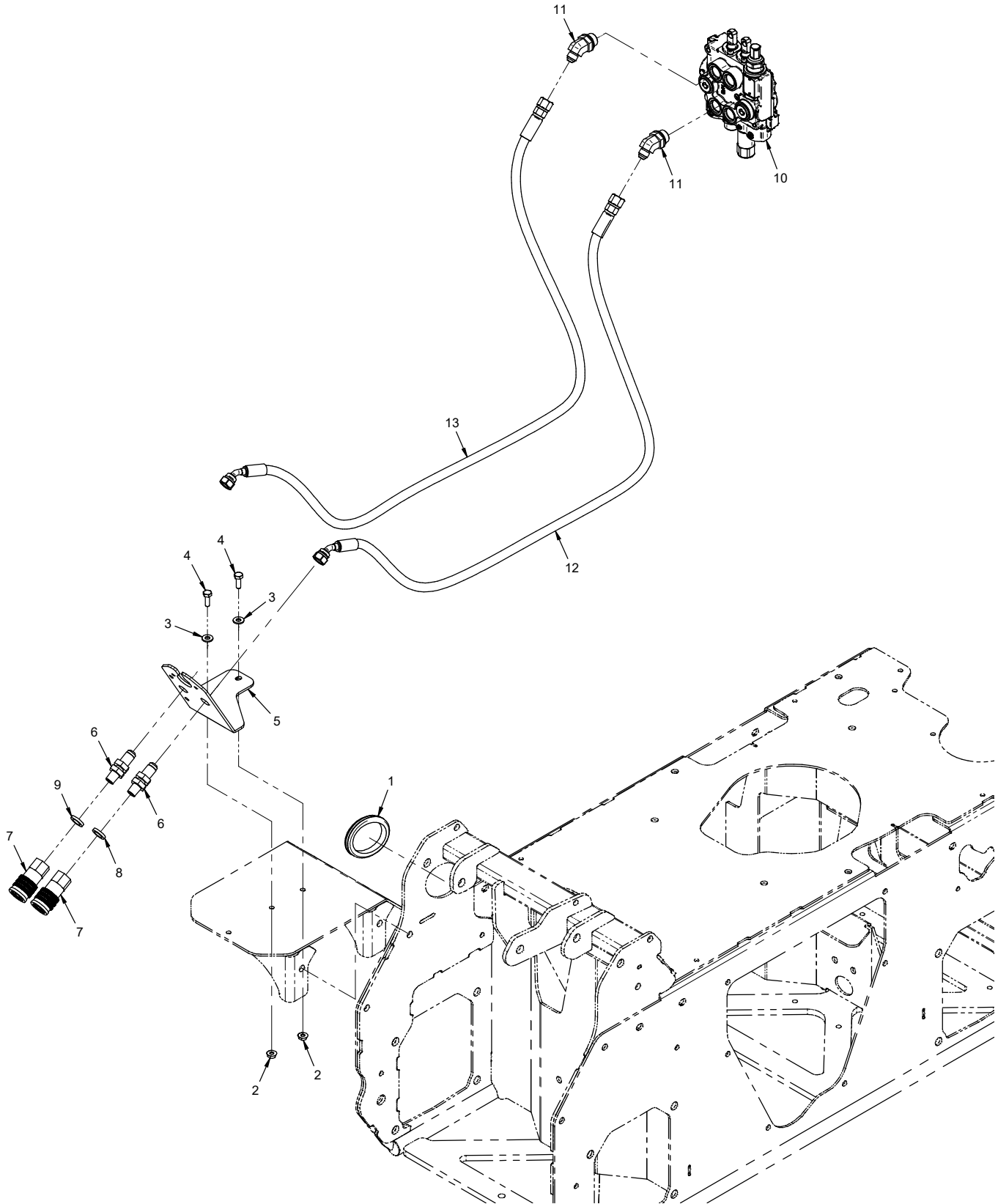
HYDRAULICS

Front Hitch Hydraulic Lift

REF.	PART NO.	DESCRIPTION	QTY.
1	90.0828	.Bolt, Hex 1/2-13 UNC x 3-1/2	1
2	95.08	.Washer, Flat 1/2 SAE	2
3	99.E0103	.Nut, Locking Flange 1/2-13	2
4	NT-1114	.Spacer, Lower Cylinder Mount	1
5	NT-1670	.Bushing, Lift Cylinder Upper	1
6	NT-1113	.Bushing, Lift Cylinder Lower	1
7	25.6400-06-06-CP	.Fitting, M Conn 3/8 X 3/8	2
8	90.0838	.Bolt, Hex 1/2-13 x 4-3/4	1
9	23.0174	.Valve, Hyd 2 Spl w/Float	1
10	25.6802-06-08-CP	.Fitting, 45 ME 3/8 x 1/2	2
11	23.0173	.Cylinder, 2-1/2" x 6"	1
12	20.0330	.Hose, 1/4x57.00 SAE 100R17AR	1
13	20.0331	.Hose, 1/4x62.00 SAE 100R17AR	1
25	29.GF0001	.Grease Ftg, 1/4 SAE ST	2

HYDRAULICS

ILLUSTRATED DRAWING Auxiliary Hydraulic Quick Couplers



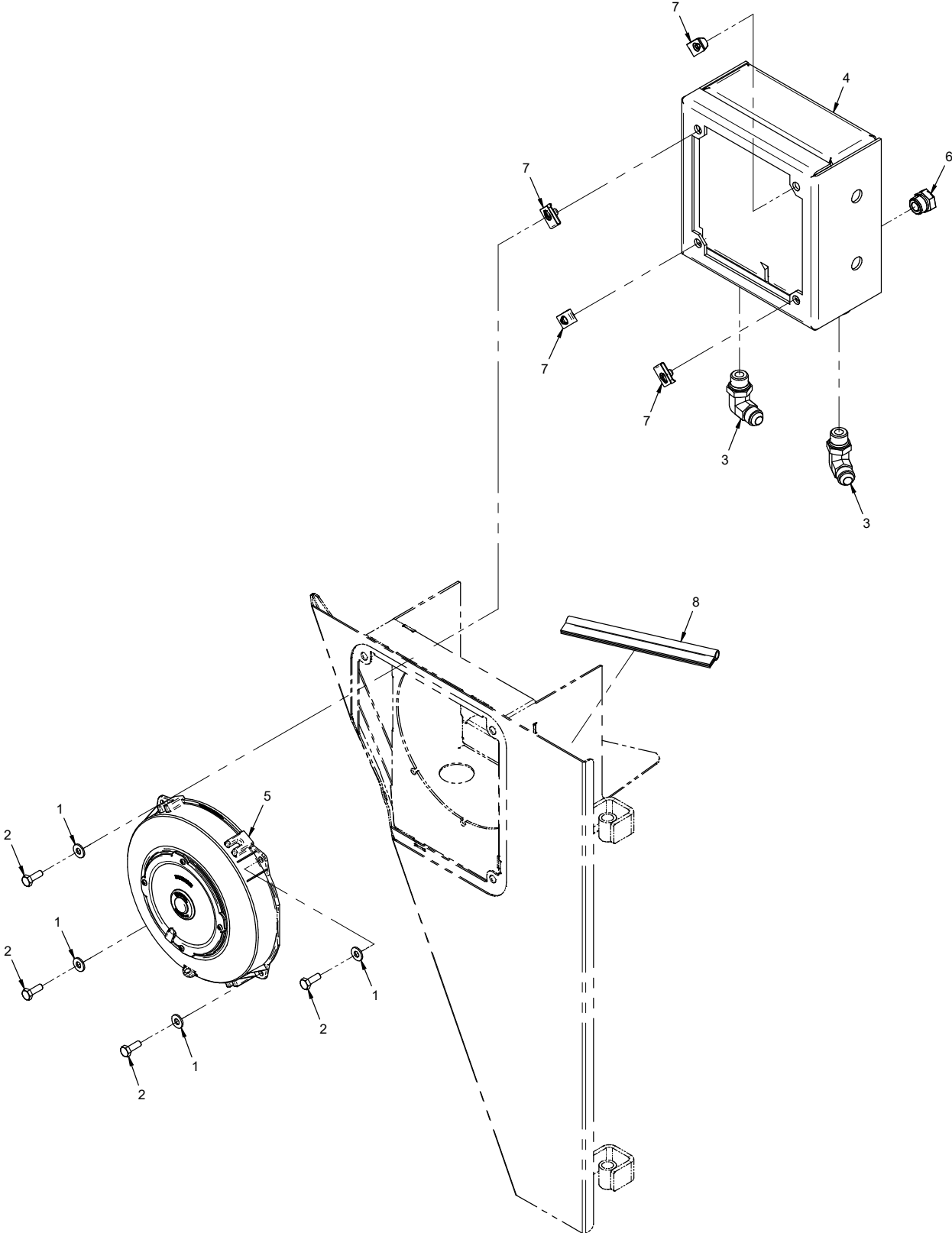
HYDRAULICS

Auxiliary Hydraulic Quick Couplers

REF.	PART NO.	DESCRIPTION	QTY.
1	05.0148	.Grommet, 2-1/2ID, 3-1/8OD, 3/8T	1
2	99.SF04-3	.Nut, SRF 1/4-20 USS Stainless	2
3	95.04-3	.Washer, Flat 1/4 SAE SS	2
4	90.0406-3	.Bolt, 1/4-20 USS x 3/4 SS	2
5	NT-1122	.Bracket, Aux Hyd Coupler	1
6	25.2706-04-06LN	.Fitting, Bulkhead W/ Locknut	2
7	23.0177	.Coupler, Female Flat Face Quick 1/4	2
8	05.0116	.Washer, .544 ID x .817 x .14 Red	1
9	05.0117	.Washer, .544 ID x .817 x .14 Yel	1
10	23.0174	.Valve, Hyd 2 Spl w/Float	1
11	25.6802-06-08-CP	.Fitting, 45 ME 3/8 x 1/2	2
12	20.0332	.Hose, 1/4x44.00 SAE 100R17AR	1
13	20.0333	.Hose, 1/4x47.00 SAE 100R17AR	1

HYDRAULICS

ILLUSTRATED DRAWING Hydraulic Oil Cooler & Fan



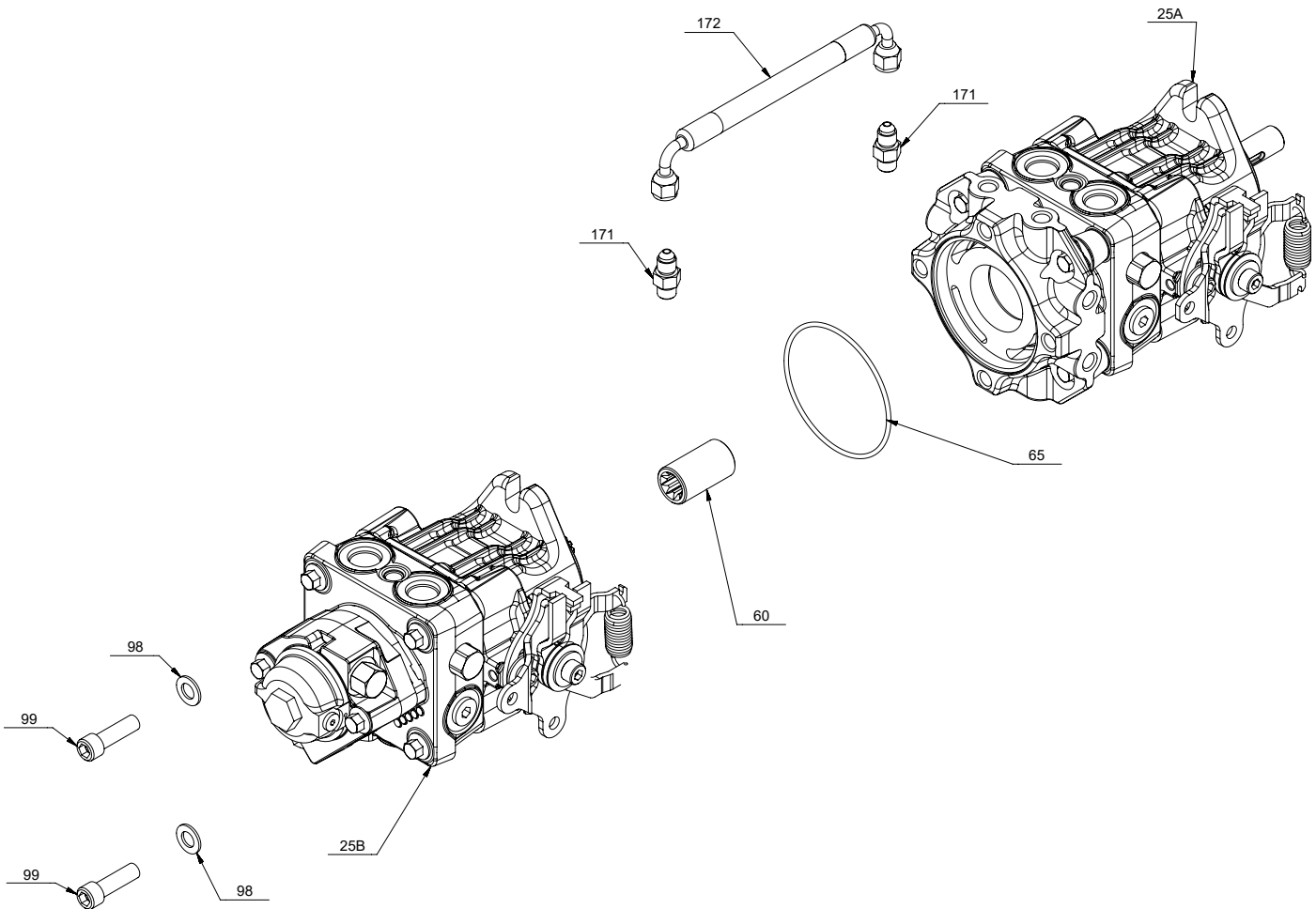
HYDRAULICS

Hydraulic Oil Cooler & Fan

REF.	PART NO.	DESCRIPTION	QTY.
1	95.04-3	.Washer, Flat 1/4 SAE SS	4
2	90.0406-3	.Bolt, 1/4-20 USS x 3/4 SS	4
3	25.6801-08-08-CP	.Fitting, 90 ME 1/2 x 1/2	2
4	21.0121	.Cooler, Hydraulic	1
5	37.0068	.Fan, 12V Electric Pusher 7.5"	1
6	25.6408-08-CP	.Fitting, Plug 8MB	1
7	99.E0046	.Nut, "U" 1/4-20 Extruded	4
8	06.0043-7IN	.Trim, 7/16" Bulb Seal Top 1/16T x 7"	1

HYDRAULICS

ILLUSTRATED DRAWING Tandem Hydraulic Pump (21.0131)



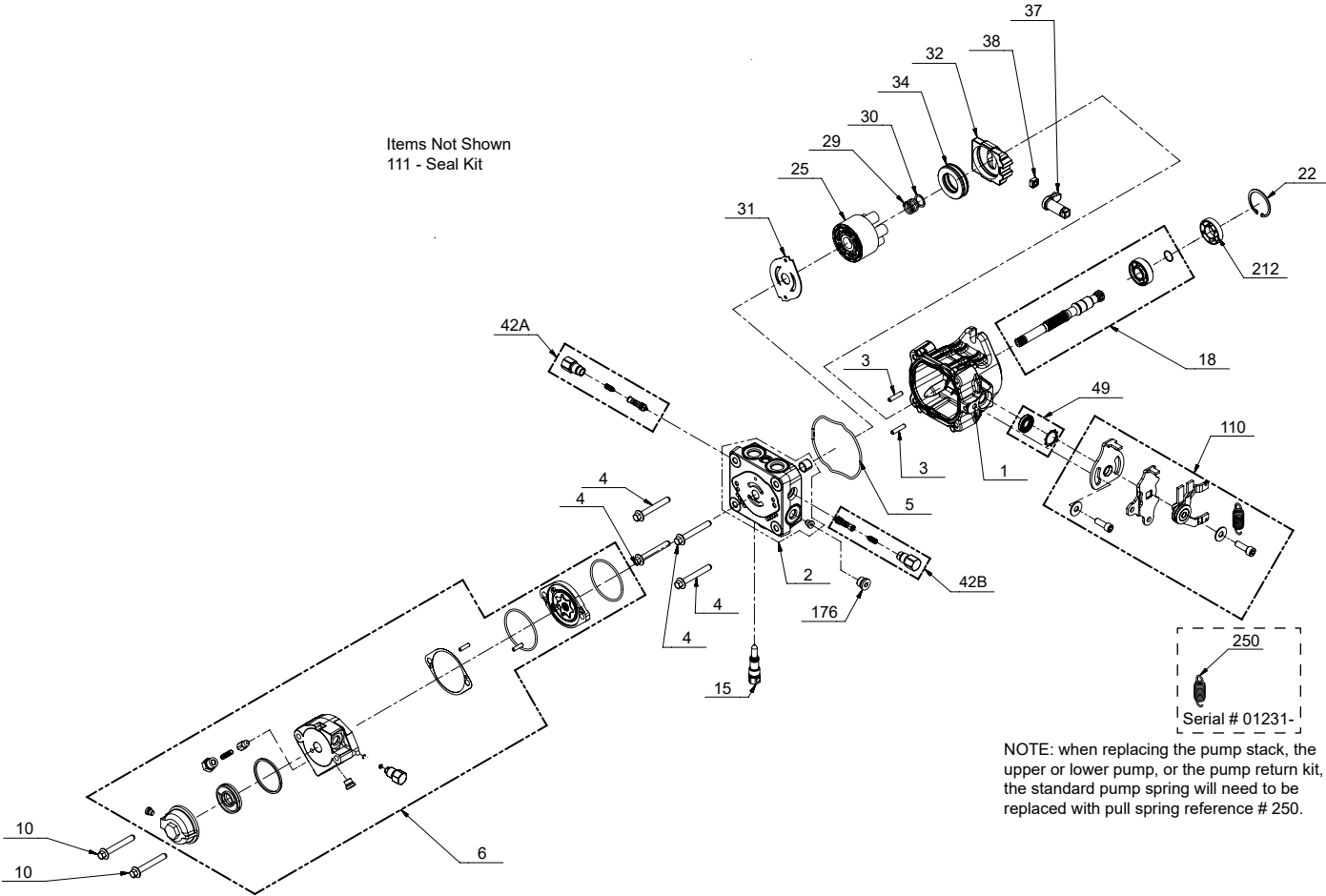
HYDRAULICS

Tandem Hydraulic Pump (21.0131)

REF.	PART NO.	DESCRIPTION	QTY.
25A	N/A	.Pump, Lower	1
25B	N/A	.Pump, Upper w/Auxiliary Pump	1
60	87.0246	.Coupling, Tandem Pump	1
65	26.0049	.O-Ring, .103 x 3.237 ID	1
98	99.B0132	.Washer, .406 ID x .734 OD x .063	2
99	99.K0161	.Bolt, SHCS 3/8-16 x 1-1/4	2
171	25.6400-04-04	.Fitting, M Conn 1/4 x 1/4	2
172	20.0362	.Hose, Asm. Tandem Pump	1

HYDRAULICS

ILLUSTRATED DRAWING Upper Hydraulic Pump w/Auxiliary Pump



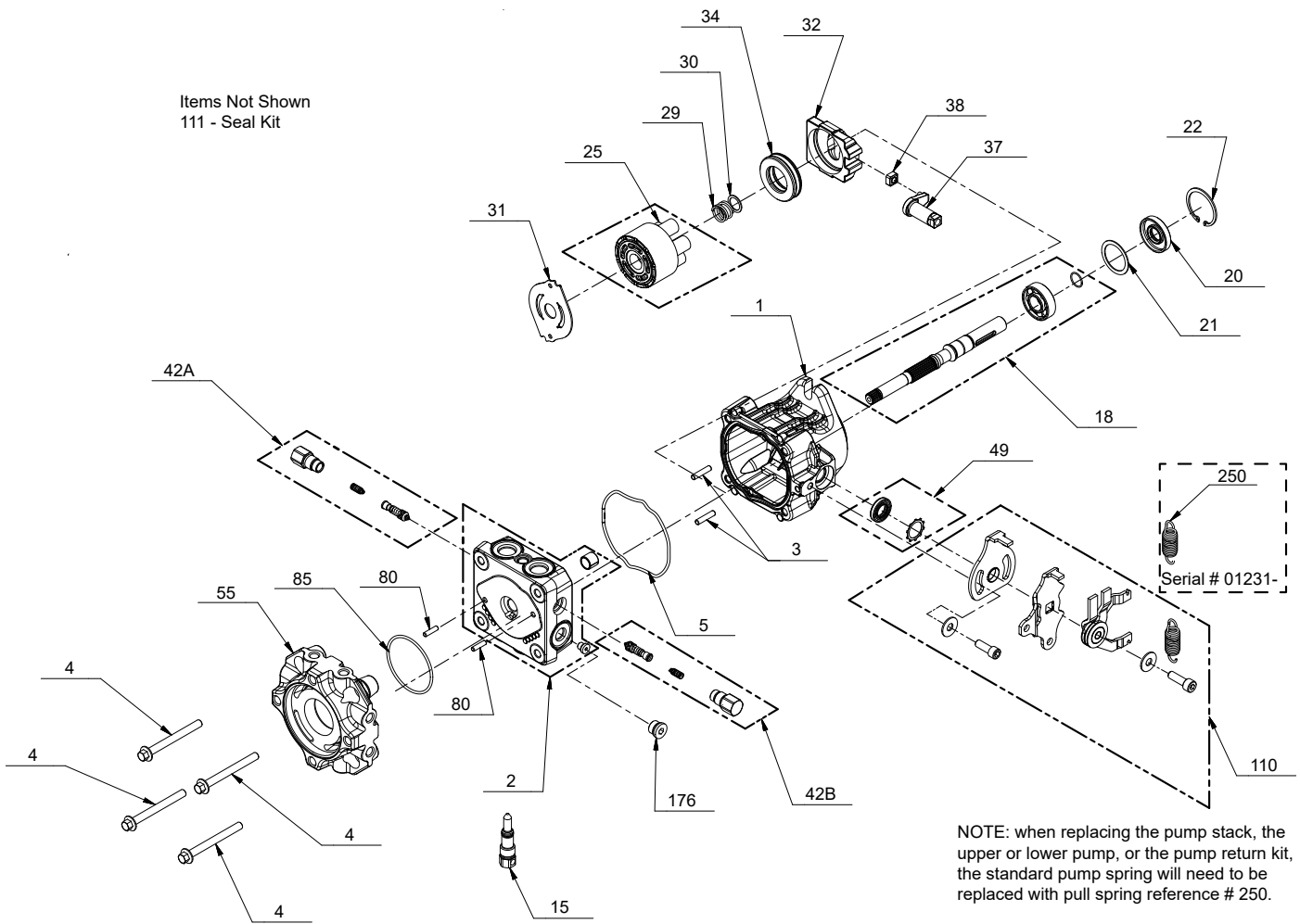
HYDRAULICS

Upper Hydraulic Pump w/Auxiliary Pump

REF.	PART NO.	DESCRIPTION	QTY.
1	21.0131-01	.Kit, Housing	1
2	21.0131-02	.Kit, Endcap - Aux Charge	1
3	03.0029	.Pin, Dowel 7/32 x 1	2
4	21.0131-03	.Bolt, Hex Flange	4
5	26.0050	.O-Ring, Pump Housing	1
6	21.0131-04	.Kit, Auxiliary Pump	1
10	21.0131-03	.Bolt, Hex Flange	2
15	21.0131-05	.Kit, Bypass Valve	1
18	21.0131-06	.Kit, Pump Shaft Aux	1
22	04.0044	.Retaining Ring, Int. Pump Housing	1
25	21.0131-07	.Kit, Cylinder Block 10cc	1
29	41.0117	.Spring, Block Hydrogear	1
30	51.0078	.Washer, Thrust .59 x .79 x .04	1
31	21.0131-08	.Valve Plate, 10cc	1
32	21.0131-09	.Swashplate, Variable	1
34	55.0107	.Bearing, Thrust	1
37	21.0131-10	.Arm, Trunnion Sq Taper	1
38	21.0131-11	.Guide, Slot	1
42A	21.0131-12	.Kit, Shock Valve 200 Bar (.024 Orifice)	1
42B	21.0131-12	.Kit, Shock Valve 200 Bar (.024 Orifice)	1
49	21.0131-13	.Kit, Trunnion Seal Retainer	1
110	21.0131-14	.Kit, Rtn. Std Scissor, Std Spring	1
111	89.0079	.Kit, Seal Hydrogear Pump	1
176	25.6408-H-08	.Fitting, -08 MB x Hollow Allen	1
212	21.0131-15	.Spacer, Upper Pump	1
250	41.0126	.Spring, Ext. 0.75" OD x 2" Lg	1

HYDRAULICS

ILLUSTRATED DRAWING Lower Hydraulic Pump



HYDRAULICS

Lower Hydraulic Pump

REF.	PART NO.	DESCRIPTION	QTY.
1	21.0131-01	.Kit, Housing	1
2	21.0131-16	.Kit, Endcap Tandem	1
3	03.0029	.Pin, Dowel 7/32 x 1	2
4	21.0131-17	.Bolt, Flange M8 x 1.25 x 80MM	4
5	26.0050	.O-Ring, Pump Housing	1
15	21.0131-05	.Kit, Bypass Valve	1
18	21.0131-18	.Kit, Pump Drive Shaft 5/8" Keyed	1
20	89.0106	.Seal, Lip	1
21	99.B0133	.Washer, Flat 1.23 x 1.57 x .04	1
22	04.0044	.Retaining Ring, Int. Pump Housing	1
25	21.0131-07	.Kit, Cylinder Block 10cc	1
29	41.0117	.Spring, Block Hydrogear	1
30	51.0078	.Washer, Thrust .59 x .79 x .04	1
31	21.0131-08	.Valve Plate, 10cc	1
32	21.0131-09	.Swashplate, Variable	1
34	55.0107	.Bearing, Thrust	1
37	21.0131-10	.Arm, Trunnion Sq Taper	1
38	21.0131-11	.Guide, Slot	1
42A	21.0131-12	.Kit, Shock Valve 200 Bar (.024 Orifice)	1
42B	21.0131-12	.Kit, Shock Valve 200 Bar (.024 Orifice)	1
49	21.0131-13	.Kit, Trunnion Seal Retainer	1
55	21.0131-19	.Plate, Adapter Gearpump	1
80	03.0030	.Pin, Straight Hydrogear	2
85	26.0051	.O-Ring, -144, 2.487 x .103	1
110	21.0131-14	.Kit, Rtn. Std Scissor, Std Spring	1
111	89.0079	.Kit, Seal Hydrogear Pump	1
176	25.6408-H-08	.Fitting, -08 MB x Hollow Allen	1
250	41.0126	.Spring, Ext. 0.75" OD x 2" Lg	1

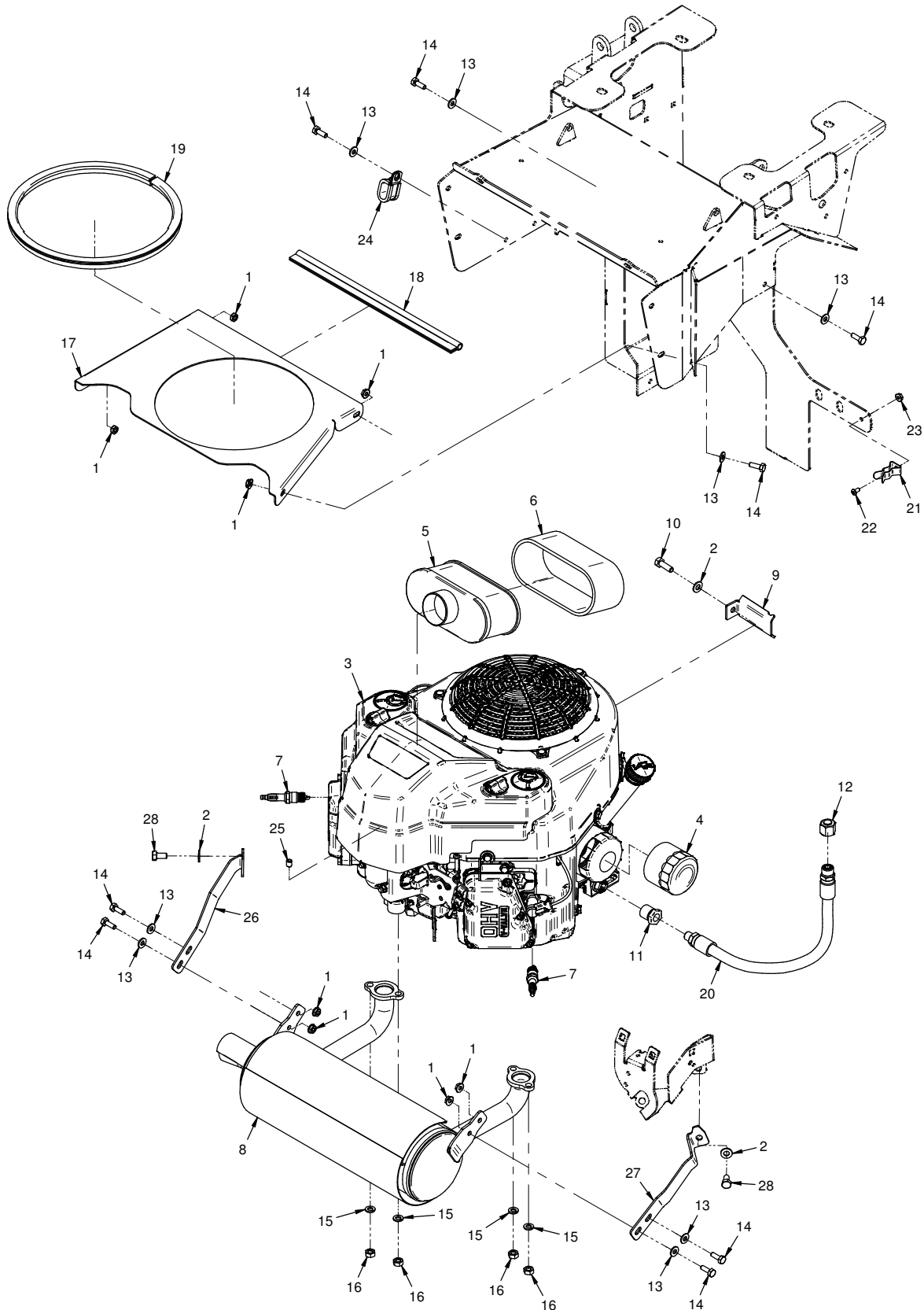
HYDRAULICS

Hydraulic Auxiliary Valve (23.0174)

REF.	PART NO.	DESCRIPTION	QTY.
1	23.0174-9	.Plug, Plastic For Float Spool	1
2	23.0174-1	.Spool, 'Z' for 23.0174 Valve	1
3	23.0174-2	.Spool, 'A' for 23.0174 Valve	1
4	23.0174-5	.O-Ring, Spool	3
5	23.0174-11	.Spacer, Lower	2
6	23.0174-10	.Washer, Flanged	1
7	23.0174-4	.Positioner, 'A' Spool	1
8	23.0174-3	.Plug, OVC	1
9	23.0174-8	.Valve, Check	1
10	23.0174-6	.Retainer, 'A' Spool	1
11	23.0174-7	.Kit, Spool Float Aux. Valve	1
12	23.0174-12	.Retainer, 'Z' Spool	1
13	23.0174-13	.Spacer, 'Z' Spool with O-Rings	1
14	23.0174-14	.Kit, Valve Rebuild	1

ENGINE & PUMP DRIVE

ILLUSTRATED DRAWING Engine & Cover



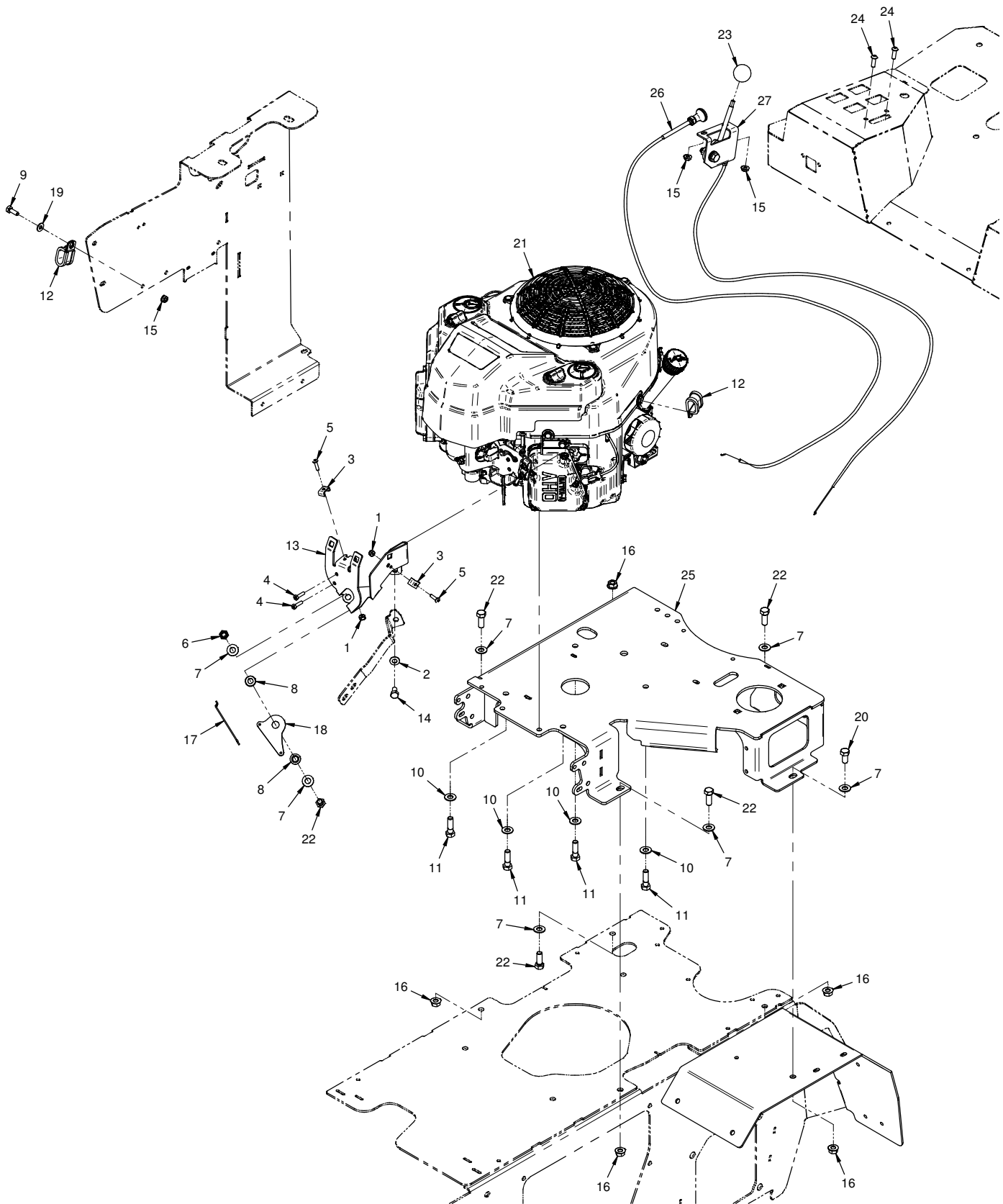
ENGINE & PUMP DRIVE

Engine & Cover

REF.	PART NO.	DESCRIPTION	QTY.
1	99.SF04-3	.Nut, SRF 1/4-20 USS Stainless	8
2	95.05-3	.Washer, Flat 5/16 SAE SS	3
3	13.0322	.Engine, Kawasaki 18.5hp Gas AC	1
4	13.0328	.Filter, Engine Oil Kawasaki	1
5	13.0329	.Filter, Air Element Inner	1
6	13.0330	.Filter, Air Precleaner	1
7	13.0284	.Plug, Spark	2
8	13.0321	.Muffler, Kawasaki FS600V (Serial # 01231-02186)	1
8	13.0338	.Muffler, Kawasaki FS600V (Serial # 02187 -)	1
9	NT-1760	.Bracket, Hose Retainer	1
10	99.M0009	.Bolt, M8 X 1.25 P X 25MM	1
11	14.0053	.Adapter, M20 - 2.5 x 1/4 FNPT	1
12	25.FF304-C-06-CP	.Fitting, Cap -06 ORFS	1
13	95.04-3	.Washer, Flat 1/4 SAE SS	8
14	90.0406-3	.Bolt, 1/4-20 USS x 3/4 SS	8
15	96.05	.Washer, Lock 5/16	4
16	99.M0008	.Nut, M8 x 1.25MM ZP	4
17	NT-1510	.Cover, Engine Air Intake	1
18	06.0043-13.5IN	.Trim, 7/16" Bulb Seal Top 1/16T x 13-1/2"	1
19	06.0049-30IN	.Trim, 7/16" Bulb Seal Side 1/16T x 30"	1
20	22.0072	.Hose, 3/8x18.00 Plk 250PSI EVA	1
21	47.0446	.Clip, SS Tool Holder 5/8 - 7/8 Dia	1
22	99.K0162	.Machine Screw, #10-32 x 3/8 SS	1
23	99.E0125	.Nut, SRF #10-32 Stainless	1
24	11.0046	.Clamp, Cushioned 1/2" 2-Tube	1
25	13.92063-7156	.Jet, Main FS600V #102	1
25	13.92063-7046	.Jet, Main FS600V #100 (3000-6000 ft)	1
25	13.92063-7047	.Jet, Main FS600V #98 (6000 ft & Higher)	1
26	NT-1891	.Brace, Muffler Mount Right FS600V (Serial # 02187 -)	1
27	NT-1890	.Brace, Muffler Mount Left FS600V (Serial # 02187 -)	1
28	99.M0014	.Bolt, M8 x 1.25 x 16mm	2

ENGINE & PUMP DRIVE

ILLUSTRATED DRAWING Engine Mount, Throttle Cable, & Choke Cable



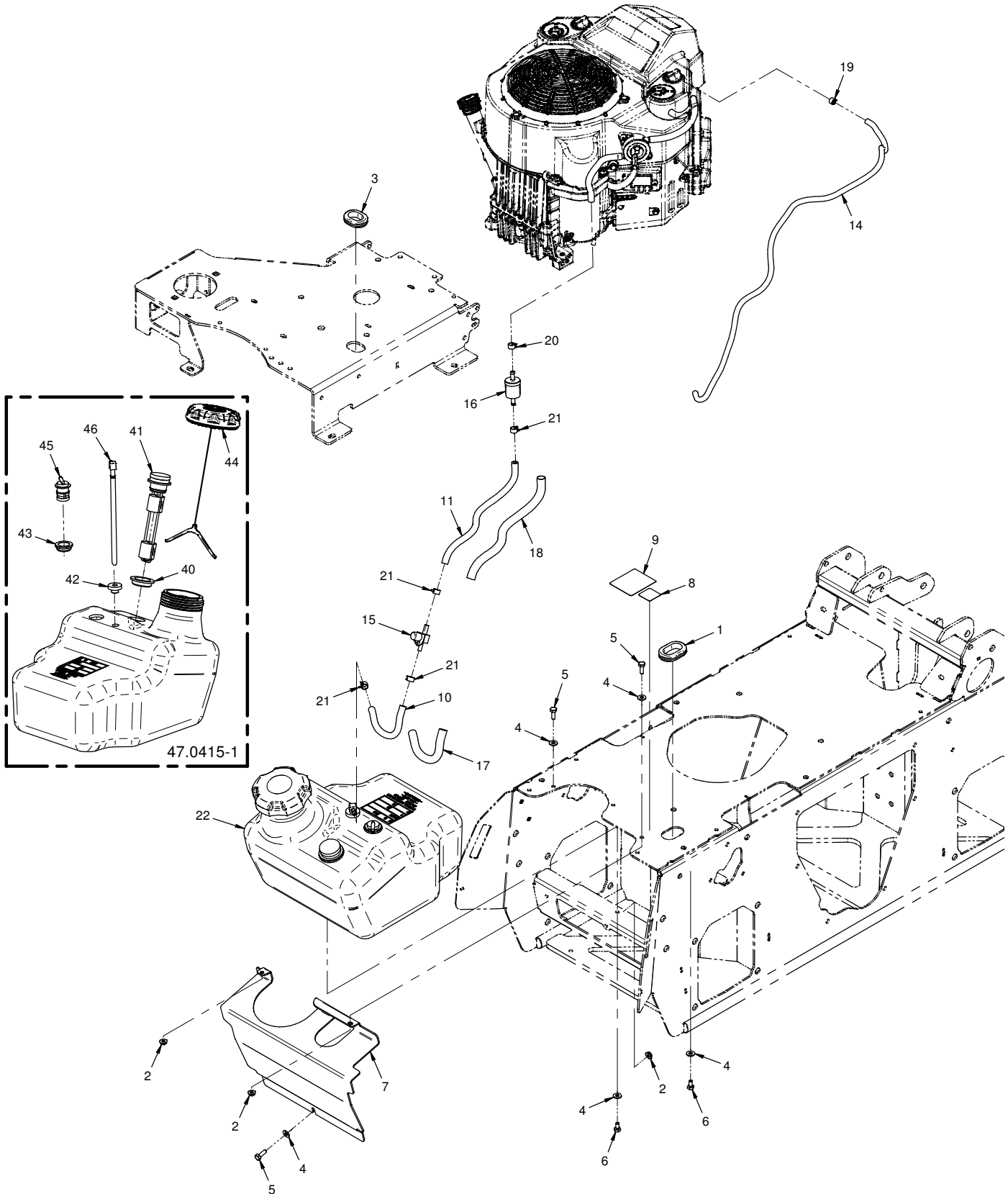
ENGINE & PUMP DRIVE

Engine Mount, Throttle Cable, & Choke Cable

REF.	PART NO.	DESCRIPTION	QTY.
1	99.A1032N	.Locknut, Nylon 10-32 Stainless	2
2	95.05-3	.Washer, Flat 5/16 SAE SS	1
3	13.921707001	.Clamp, Cable	2
4	13.921502182	.Bolt, M5 x 18	2
5	99.K0163	.Machine Screw, #10-32 x 3/4 SS	2
6	99.A06N-3	.Locknut, Nylon 3/8-16 SS	1
7	95.06-3	.Washer, Flat 3/8 SAE SS	7
8	05.0054	.Washer, Teflon Shoulder	2
9	90.0406-3	.Bolt, 1/4-20 USS x 3/4 SS	1
10	95.06	.Washer, Flat 3/8 SAE	4
11	90.0610	.Bolt, 3/8-16 USS x 1-1/4	4
12	11.0046	.Clamp, Cushioned 1/2" 2-Tube	2
13	NT-1186	.Mount, NT Throttle Pivot	1
14	99.M0014	.Bolt, M8 x 1.25 x 16mm	1
15	99.SF04-3	.Nut, SRF 1/4-20 USS Stainless	3
16	99.SF06-3	.Nut, SRF 3/8-16 USS Stainless	5
17	47.0447	.Wire, Throttle Plate Link	1
18	NT-1184	.Lever, NT Throttle Pivot	1
19	95.04-3	.Washer, Flat 1/4 SAE SS	1
20	90.0606-3	.Bolt, 3/8-16 USS x 3/4SS	1
21	13.0322	.Engine, Kawasaki 18.5hp Gas AC	1
22	90.0608-3	.Bolt, 3/8-16 USS x 1 SS	5
23	47.0424	.Knob, 1-1/4 Dia x 1/4-20 Thread	1
24	99.0406-3	.Bolt, 1/4-20 x 3/4 BSCS SS	2
25	NT-6137	.Frame, Engine Mount	1
26	47.0445	.Cable, Choke NT	1
27	47.0444	.Cable, Throttle Asm	1

ENGINE & PUMP DRIVE

ILLUSTRATED DRAWING Fuel System



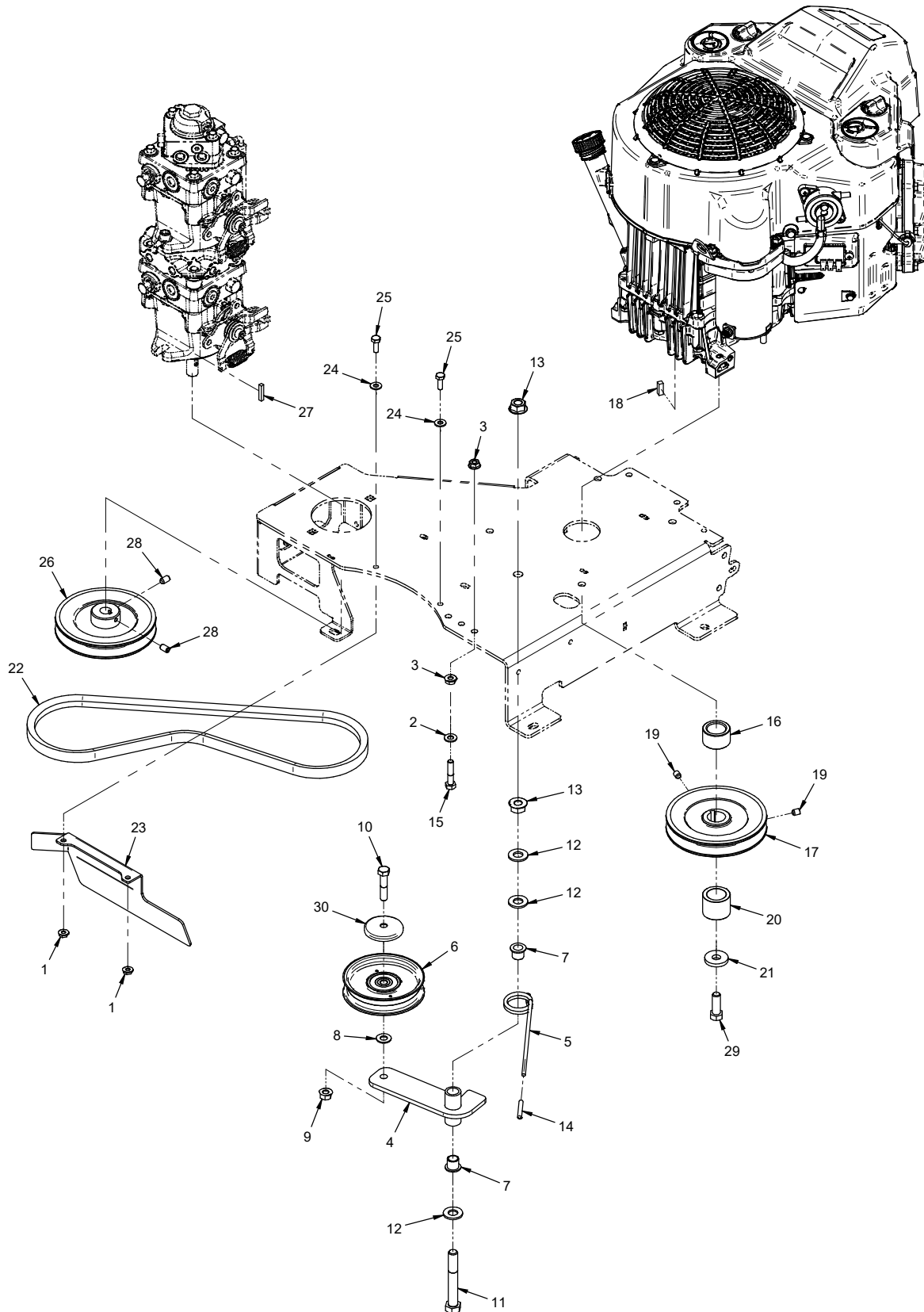
ENGINE & PUMP DRIVE

Fuel System

REF.	PART NO.	DESCRIPTION	QTY.
1	05.0178	.Grommet, 1-1/2 ID, 2-1/8 OD, 1/2" Thk	1
2	99.SF04-3	.Nut, SRF 1/4-20 USS Stainless	3
3	05.0060	.Grommet, 1-1/8 ID, 1-3/4 OD	1
4	95.04-3	.Washer, Flat 1/4 SAE SS	5
5	90.0406-3	.Bolt, 1/4-20 USS x 3/4 SS	3
6	90.0404-3	.Bolt, 1/4-20 USS x 1/2 SS	2
7	NT-1714	.Cover, Fuel Tank	1
8	00.0334	.Decal, Fuel On/Off	1
9	00.0457	.Decal, Gasoline Only	1
10	27.F04-1-8IN	.Hose, Fuel Line 1/4" Low Perm x 8"	1
11	27.F04-1-12IN	.Hose, Fuel Line 1/4" Low Perm x 12"	1
14	27.F03-43IN	.Hose, Fuel Line x 3/16 x 43"	1
15	47.0327	.Valve, Fuel Shut Off 1/4"	1
16	13.0131	.Filter, Fuel In-Line 1/4"	1
17	56.0070-6IN	.Sleeve, Aluminum Reflective 5/8" Dia x 6"	1
18	56.0070-10IN	.Sleeve, Aluminum Reflective 5/8" Dia x 10"	1
19	11.0073	.Clamp, Hose Band 7/16" OD Hose	1
20	11.0049	.Clamp, Hose Band 1/2" OD Hose	1
21	11.0049	.Clamp, Hose Band 1/2" OD Hose	4
22	47.0415-1	.Tank, Asm 2100 Gas	1
40	05.0174	.Grommet, Fuel Gauge	1
41	35.0154	.Gauge, Fuel NT	1
42	05.0133	.Grommet, Tank Fitting	1
43	05.0162	.Grommet, Fuel Vent Valve	1
44	47.0484	.Cap, Fuel 3-1/2" One-Way Vented, EPA	1
45	29.0100	.Valve, Fuel Vent	1
46	29.0104	.Fitting, Tank 1/4" Withdraw	1

ENGINE & PUMP DRIVE

ILLUSTRATED DRAWING Pump Drive From Engine



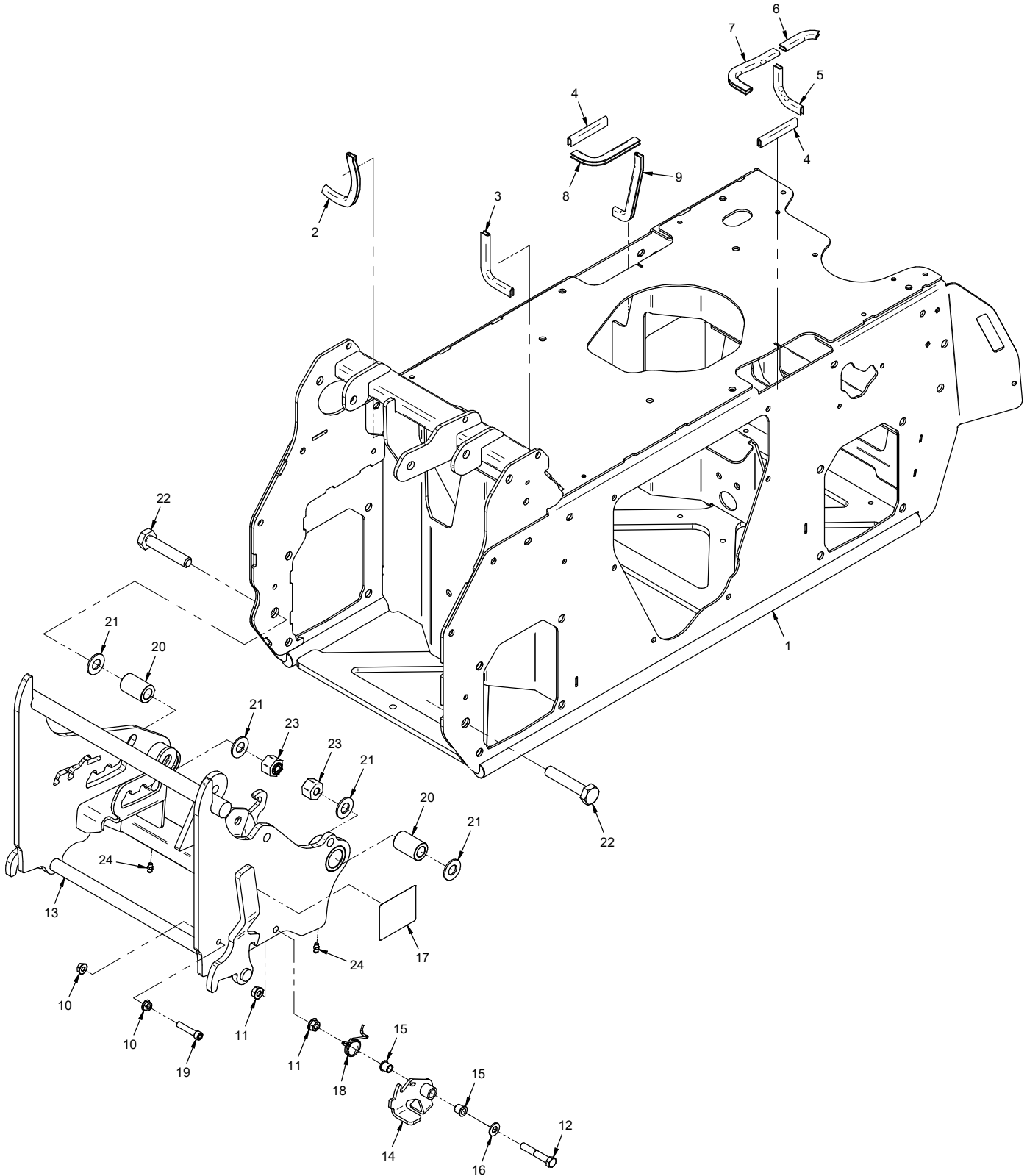
ENGINE & PUMP DRIVE

Pump Drive From Engine

REF.	PART NO.	DESCRIPTION	QTY.
1	99.SF04-3	.Nut, SRF 1/4-20 USS Stainless	2
2	95.05-3	.Washer, Flat 5/16 SAE SS	1
3	99.SF05-3	.Nut, SRF 5/16-18 USS Stainless	2
4	NT-6691	.Arm, Pump Belt Idler	1
5	41.0084	.Spring, Torsion LH 1-3/16 IDX7	1
6	83.0037	.Pulley, Idler Flat 4" X 3/8	1
7	85.B0027	.Bushing, 1/2 ID X 5/8 OD X 5/8	2
8	95.06-3	.Washer, Flat 3/8 SAE SS	1
9	99.SF06-3	.Nut, SRF 3/8-16 USS Stainless	1
10	90.0614-3	.Bolt, 3/8-16 USS x 1-3/4 SS	1
11	90.0828	.Bolt, Hex 1/2-13 UNC x 3-1/2	1
12	95.08	.Washer, Flat 1/2 SAE	3
13	99.SF08	.Nut, SRF 1/2-13 USS	2
14	06.0086	.Cap, Vinyl 3/16" ID x 1-1/2"	1
15	90.0512	.Bolt, Hex 5/16-18 UNC x 1-1/2"	1
16	NT-1749	.Spacer, Pump Drive Pulley	1
17	83.BK5516	.Pulley, 5.5" 1" Bore	1
18	85.K0406	.Key, 1/4 X 3/4	1
19	85.SS18	.Set Screw, 5/16-18 x 3/8	2
20	NT-1120	.Bushing, Pulley Spacer Lower	1
21	99.B0063	.Washer, 3/16 X 15/32 X 1-9/32	1
22	81.0164	.Belt, B41 Custom	1
23	NT-1713	.Cover, Pump Belt Drive	1
24	95.04-3	.Washer, Flat 1/4 SAE SS	2
25	90.0406-3	.Bolt, 1/4-20 USS x 3/4 SS	2
26	83.BK5510	.Pulley, 5.5" 5/8" Bore	1
27	85.K0308	.Key, 3/16 X 1	1
28	85.SS16	.Set Screw, 5/16-18 x 1/2	2
29	91.0710	.Bolt, 7/16-20 SAE x 1 1/4	1
30	60.1056	.Cover, Pulley	1

FRAMES, COVERS, & WHEELS

ILLUSTRATED DRAWING Main Frame & Front Hitch



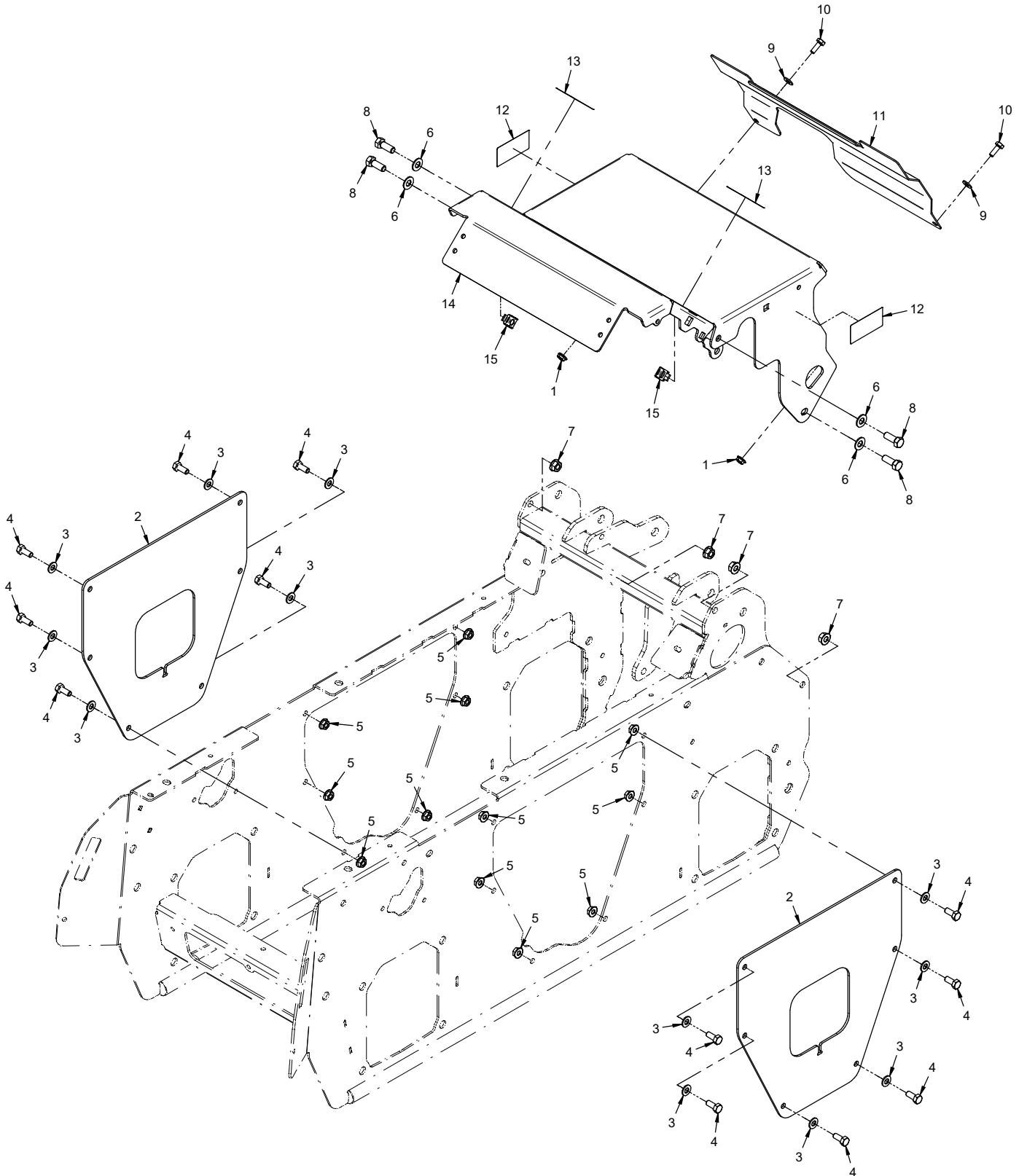
FRAMES, COVERS, & WHEELS

Main Frame & Front Hitch

REF.	PART NO.	DESCRIPTION	QTY.
1	NT-6110	.Frame, Main 2100	1
2	06.0050-5IN	.Trim, Trim Loc 1/2 x 3/16 x 5"	1
3	06.0050-5IN	.Trim, Trim Loc 1/2 x 3/16 x 5"	1
4	06.0050-3IN	.Trim, Trim Loc 1/2 x 3/16 x 3"	2
5	06.0050-3.5IN	.Trim, Trim Loc 1/2 x 3/16 x 3-1/2"	1
6	06.0050-2.5IN	.Trim, Trim Loc 1/2 x 3/16 x 2-1/2"	1
7	06.0050-5.25IN	.Trim, Trim Loc 1/2 x 3/16 x 5-1/4"	1
8	06.0050-4.75IN	.Trim, Trim Loc 1/2 x 3/16 x 4-3/4"	1
9	06.0050-5IN	.Trim, Trim Loc 1/2 x 3/16 x 5"	1
10	99.SF05-3	.Nut, SRF 5/16-18 USS Stainless	2
11	99.SF06-3	.Nut, SRF 3/8-16 USS Stainless	2
12	90.0618-3	.Bolt, 3/8-16 USS x 2-1/4 SS	1
13	NT-6601	.Frame, Front Hitch	1
14	NT-6602	.Latch, Hitch Engage	1
15	85.B0068	.Bushing, 3/8 X 1/2 OD X 1/2 LG	2
16	95.06-3	.Washer, Flat 3/8 SAE SS	1
17	00.0439	.Decal, Front Hitch Lock	1
18	41.0122	.Spring, Torsion RH SS	1
19	99.K0150	.Bolt, SHCS 5/16-18 X 1-1/2 SS	1
20	64.1609	.Bushing, Front Hitch Pivot	2
21	95.10	.Washer, Flat 5/8 SAE	4
22	99.K0121	.Bolt, 5/8-11 X 3-1/4 Grd A325	2
23	99.E0095	.Locknut, 5/8-11 Heavy Nylon	2
24	29.GF0001	.Grease Ftg, 1/4 SAE ST	2

FRAMES, COVERS, & WHEELS

ILLUSTRATED DRAWING Accessory Mount / Shield Frame & Main Frame Side Covers



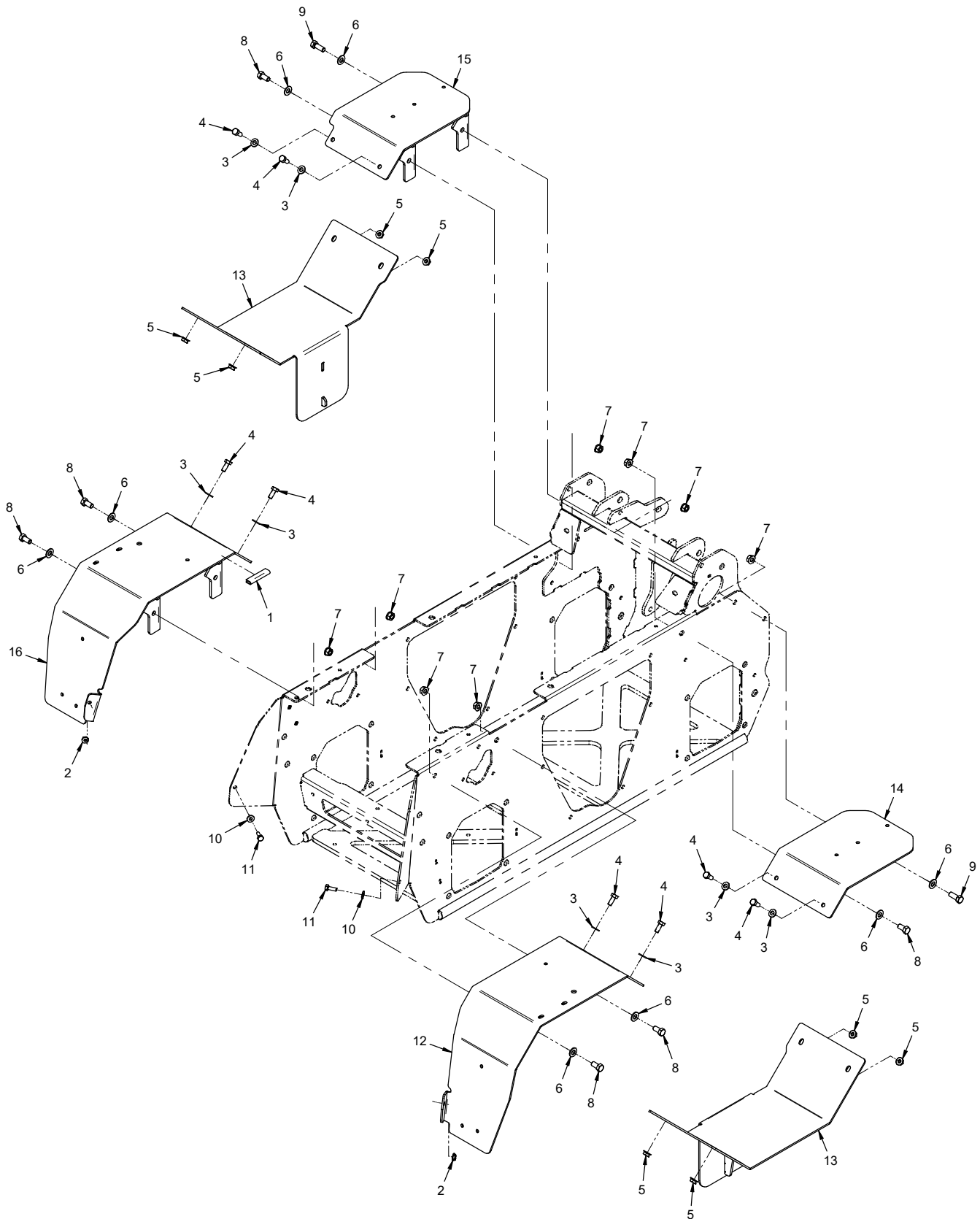
FRAMES, COVERS, & WHEELS

Accessory Mount / Shield Frame & Main Frame Side Covers

REF.	PART NO.	DESCRIPTION	QTY.
1	99.SF04-3	.Nut, SRF 1/4-20 USS Stainless	2
2	NT-1622	.Cover, Main Frame Side	2
3	95.05-3	.Washer, Flat 5/16 SAE SS	12
4	90.0506-3	.Bolt, 5/16-18 USS x 3/4 SS	12
5	99.SF05-3	.Nut, SRF 5/16-18 USS Stainless	12
6	95.06-3	.Washer, Flat 3/8 SAE SS	4
7	99.SF06-3	.Nut, SRF 3/8-16 USS Stainless	4
8	90.0608-3	.Bolt, 3/8-16 USS x 1 SS	4
9	95.04-3	.Washer, Flat 1/4 SAE SS	2
10	90.0406-3	.Bolt, 1/4-20 USS x 3/4 SS	2
11	NT-1675	.Cover, PTO Drive	1
12	00.0218	.Decal, Warning Pinch Point	2
13	00.0374	.Decal, Hot Surface	2
14	NT-6640	.Frame, Accessory Mount / Shield	1
15	99.E0149	.Nut, Cage 5/16-18 (.127 - .162")	2

FRAMES, COVERS, & WHEELS

ILLUSTRATED DRAWING Fenders



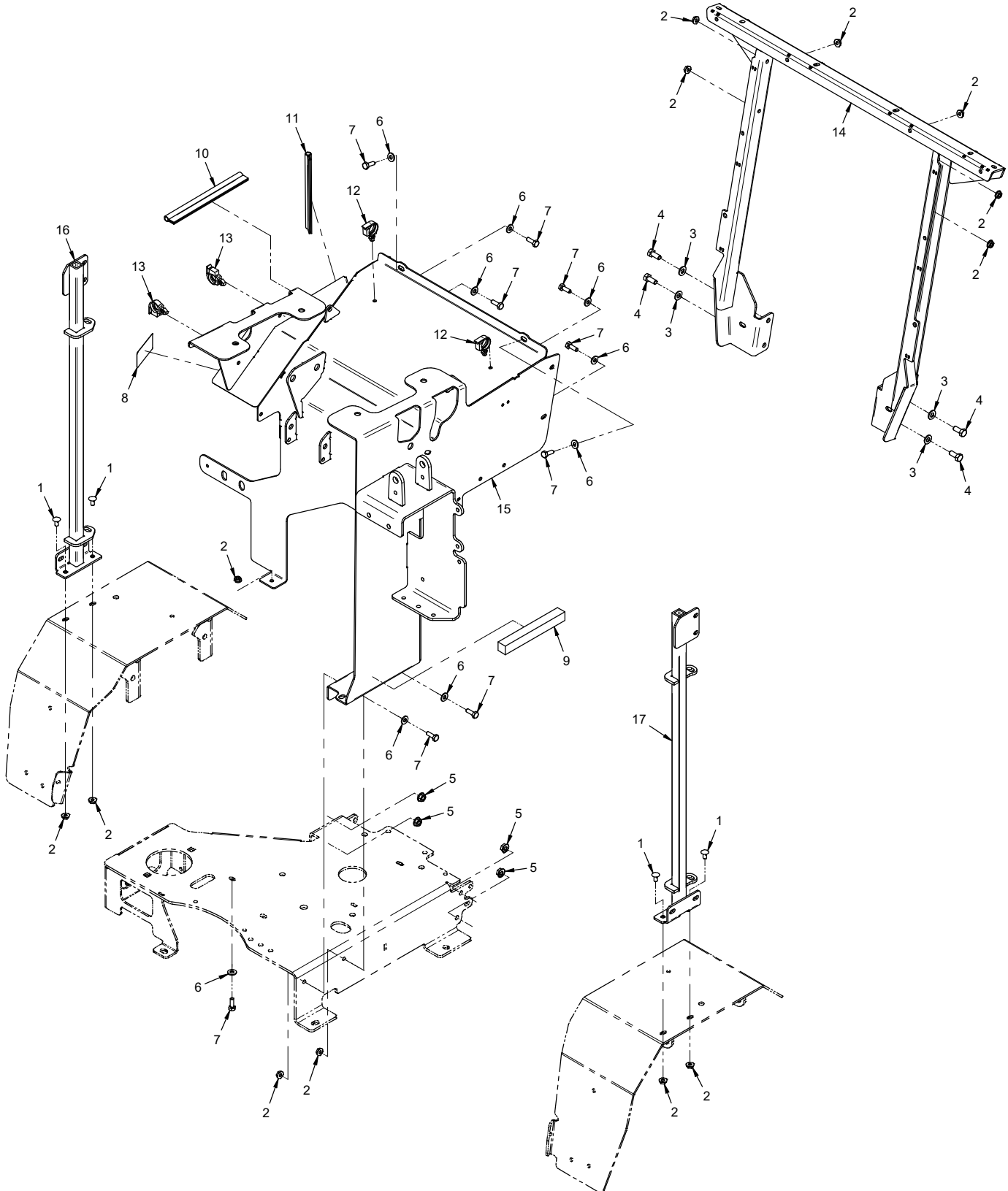
FRAMES, COVERS, & WHEELS

Fenders

REF.	PART NO.	DESCRIPTION	QTY.
1	06.0050-2.25IN	.Trim, Trim Loc 1/2 x 3/16 x 2-1/4"	1
2	99.SF04-3	.Nut, SRF 1/4-20 USS Stainless	2
3	95.05-3	.Washer, Flat 5/16 SAE SS	8
4	90.0506-3	.Bolt, 5/16-18 USS x 3/4 SS	8
5	99.SF05-3	.Nut, SRF 5/16-18 USS Stainless	8
6	95.06-3	.Washer, Flat 3/8 SAE SS	8
7	99.SF06-3	.Nut, SRF 3/8-16 USS Stainless	8
8	90.0606-3	.Bolt, 3/8-16 USS x 3/4SS	6
9	90.0608-3	.Bolt, 3/8-16 USS x 1 SS	2
10	95.04-3	.Washer, Flat 1/4 SAE SS	2
11	90.0406-3	.Bolt, 1/4-20 USS x 3/4 SS	2
12	NT-6682	.Fender, Right Rear	1
13	NT-6681	.Platform, Fender Center	2
14	NT-6272	.Fender, Right Front	1
15	NT-6273	.Fender, Left Front	1
16	NT-6274	.Fender, Left Rear	1

FRAMES, COVERS, & WHEELS

ILLUSTRATED DRAWING Upper Frame & Posts



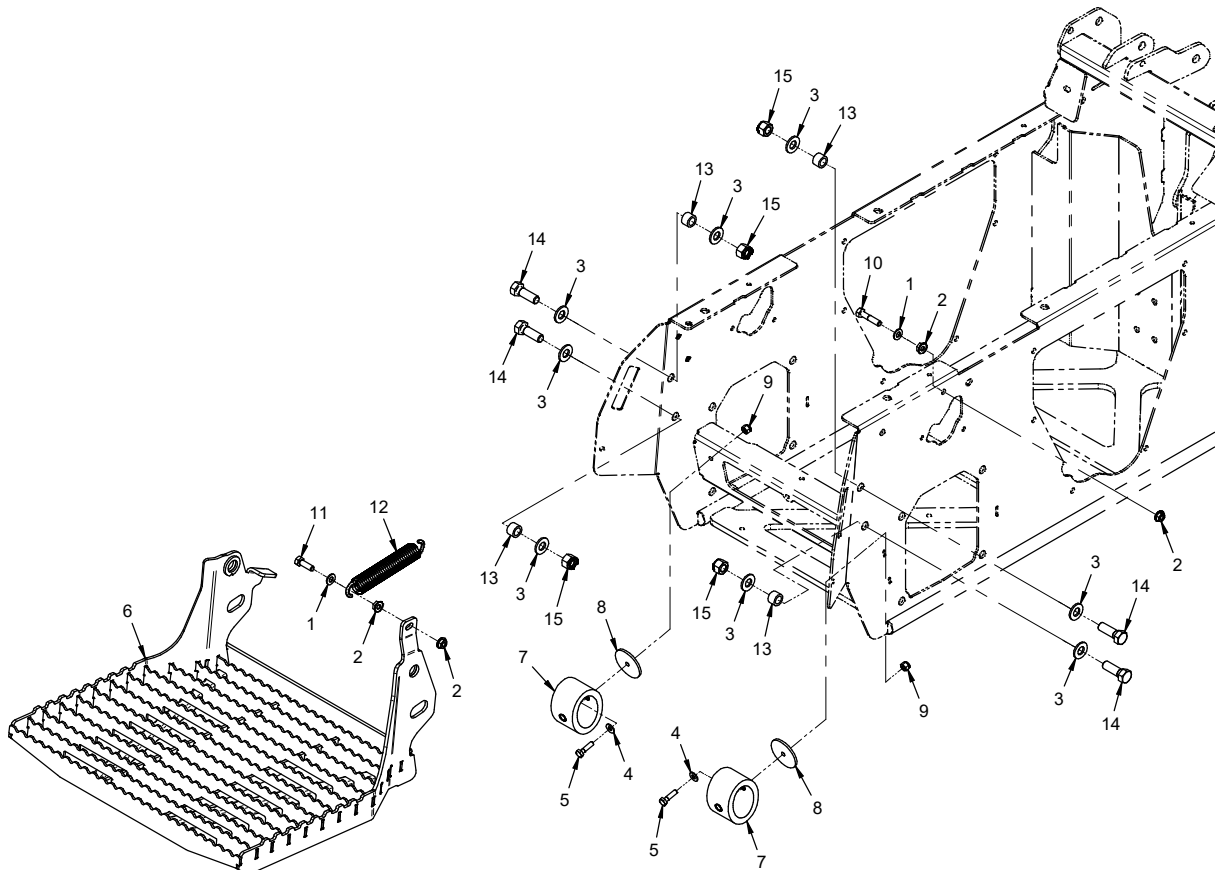
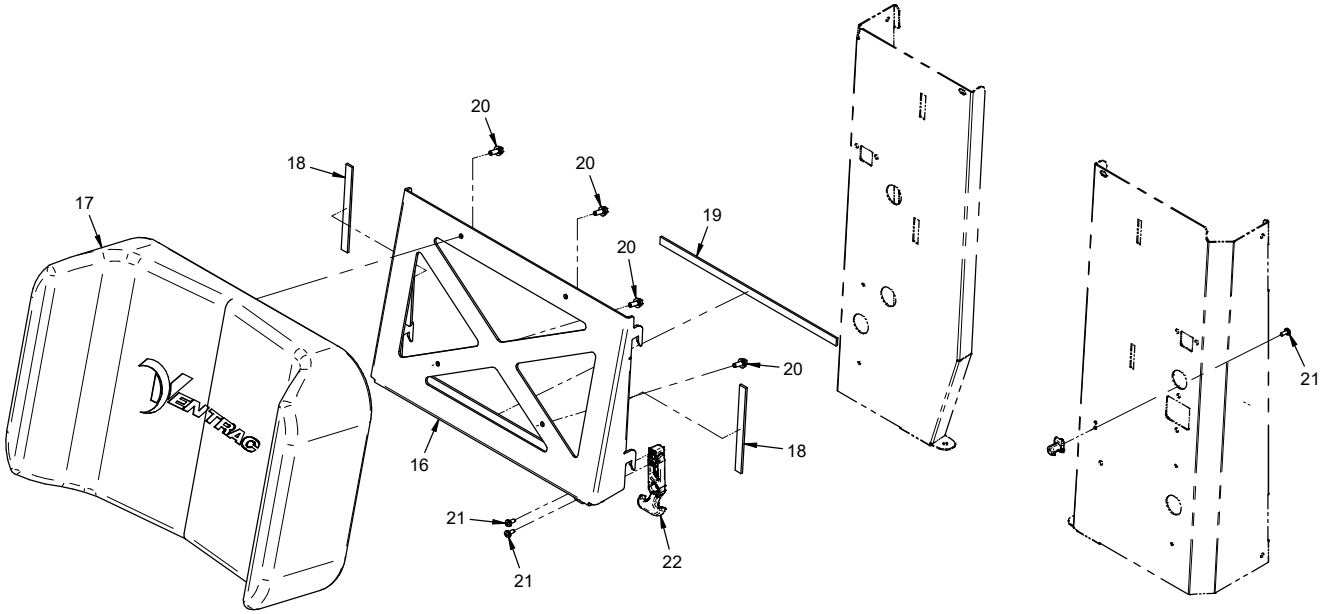
FRAMES, COVERS, & WHEELS

Upper Frame & Posts

REF.	PART NO.	DESCRIPTION	QTY.
1	97.0404-3	.Bolt, Carriage 1/4-20 X 1/2 SS	4
2	99.SF04-3	.Nut, SRF 1/4-20 USS Stainless	13
3	95.05-3	.Washer, Flat 5/16 SAE SS	4
4	90.0506-3	.Bolt, 5/16-18 USS x 3/4 SS	4
5	99.SF05-3	.Nut, SRF 5/16-18 USS Stainless	4
6	95.04-3	.Washer, Flat 1/4 SAE SS	9
7	90.0406-3	.Bolt, 1/4-20 USS x 3/4 SS	9
8	00.0374	.Decal, Hot Surface	1
9	06.0081-6IN	.Weatherstrip, 3/4 X 3/4 Foam x 6"	1
10	06.0043-7.5IN	.Trim, 7/16" Bulb Seal Top 1/16T x 7-1/2"	1
11	06.0043-6.5IN	.Trim, 7/16" Bulb Seal Top 1/16T x 6-1/2"	1
12	30.0138	.Clamp, Loom 3/4 Rosebud Mount (Serial 01231-03538)	2
12	30.0576	.Clamp, Loom 1" Rosebud Mount (Serial 03539-)	2
13	30.0136	.Clamp, Loom 1/2 Rosebud Mount	2
14	NT-6535	.Frame, Front Tower Post	1
15	NT-6537	.Frame, Main Tower	1
16	NT-6549	.Post, Left Rear Tower	1
17	NT-6550	.Post, Right Rear Tower	1

FRAMES, COVERS, & WHEELS

ILLUSTRATED DRAWING Operator Platform & Cushion



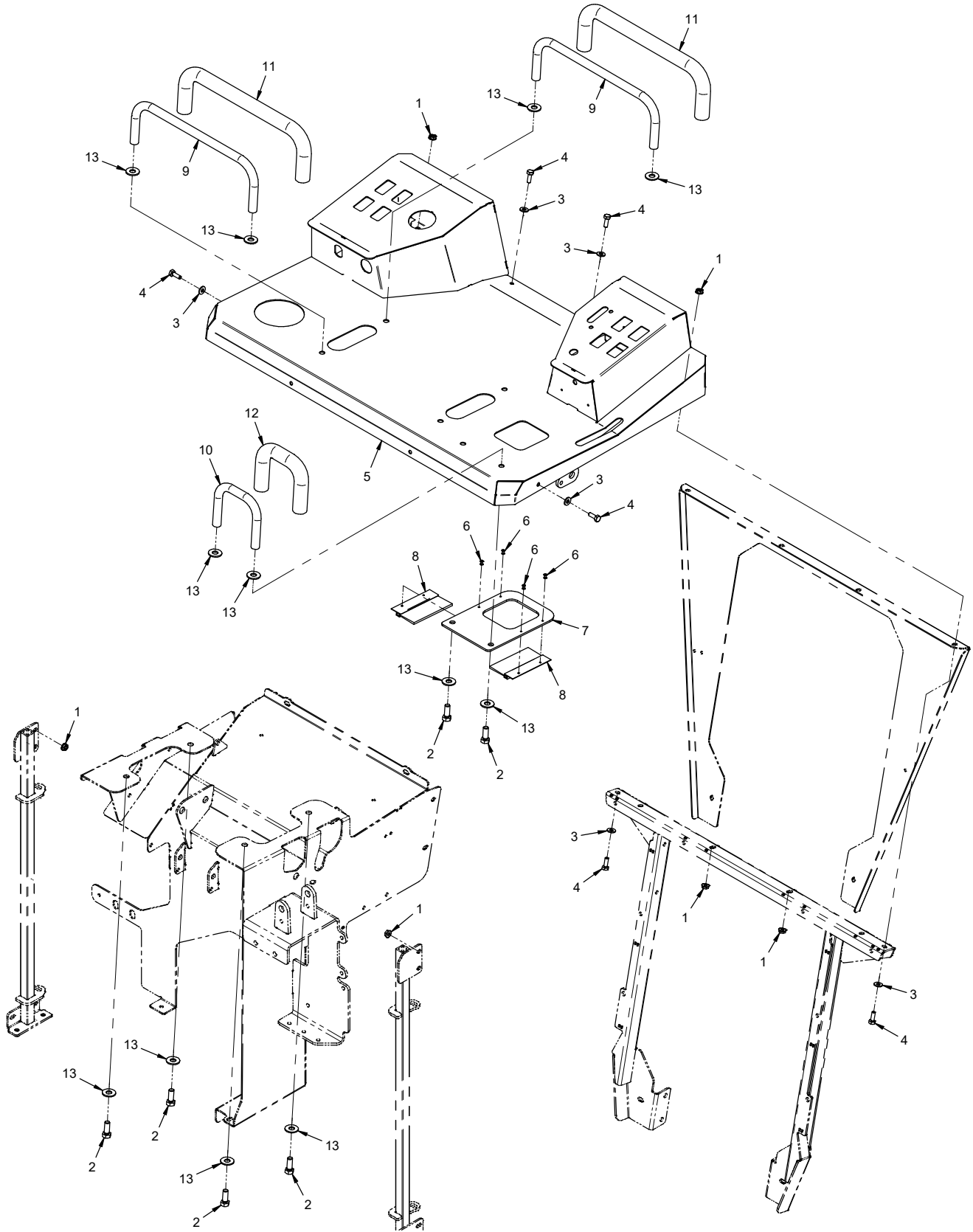
FRAMES, COVERS, & WHEELS

Operator Platform & Cushion

REF.	PART NO.	DESCRIPTION	QTY.
1	95.05-3	.Washer, Flat 5/16 SAE SS	2
2	99.SF05-3	.Nut, SRF 5/16-18 USS Stainless	4
3	95.08	.Washer, Flat 1/2 SAE	8
4	95.04-3	.Washer, Flat 1/4 SAE SS	2
5	90.0408-3	.Bolt, 1/4-20 USS x 1 SS	2
6	NT-6487	.Frame, Operator Platform	1
7	05.0169	.Bumper, Elastomer 1300 Lbs PF	2
8	NT-1472	.Spacer, Platform Spring	2
9	99.A04N-3	.Locknut, Nylon 1/4-20 USS SS	2
10	90.0512-3	.Bolt, 5/16-18 USS x 1-1/2 SS	1
11	90.0508-3	.Bolt, 5/16-18 USS x 1 SS	1
12	41.0048	.Spring, Ext. 1 OD X 6	1
13	NT-1516	.Bushing, Operator Platform Pivot	4
14	90.0812	.Bolt, 1/2-13 USS x 1-1/2	4
15	99.A08N	.Locknut, Nylon 1/2-13 USS	4
16	NT-1005	.Plate, Cushion Mount	1
17	47.0416	.Cushion, Operator	1
18	06.0071-6IN	.Velcro, Loop 1/2" Black x 6"	2
19	06.0071-14.75IN	.Velcro, Loop 1/2" Black x 14-3/4"	1
20	99.SF0405-1	.Bolt, SMF 1/4-20 X 5/8	4
21	99.K0148	.Machine Screw, #10-24 X 1/2 SS	3
22	47.0127	.Latch, Rubber Draw T-Handle	1

FRAMES, COVERS, & WHEELS

ILLUSTRATED DRAWING Dash Mount & Grab Bars



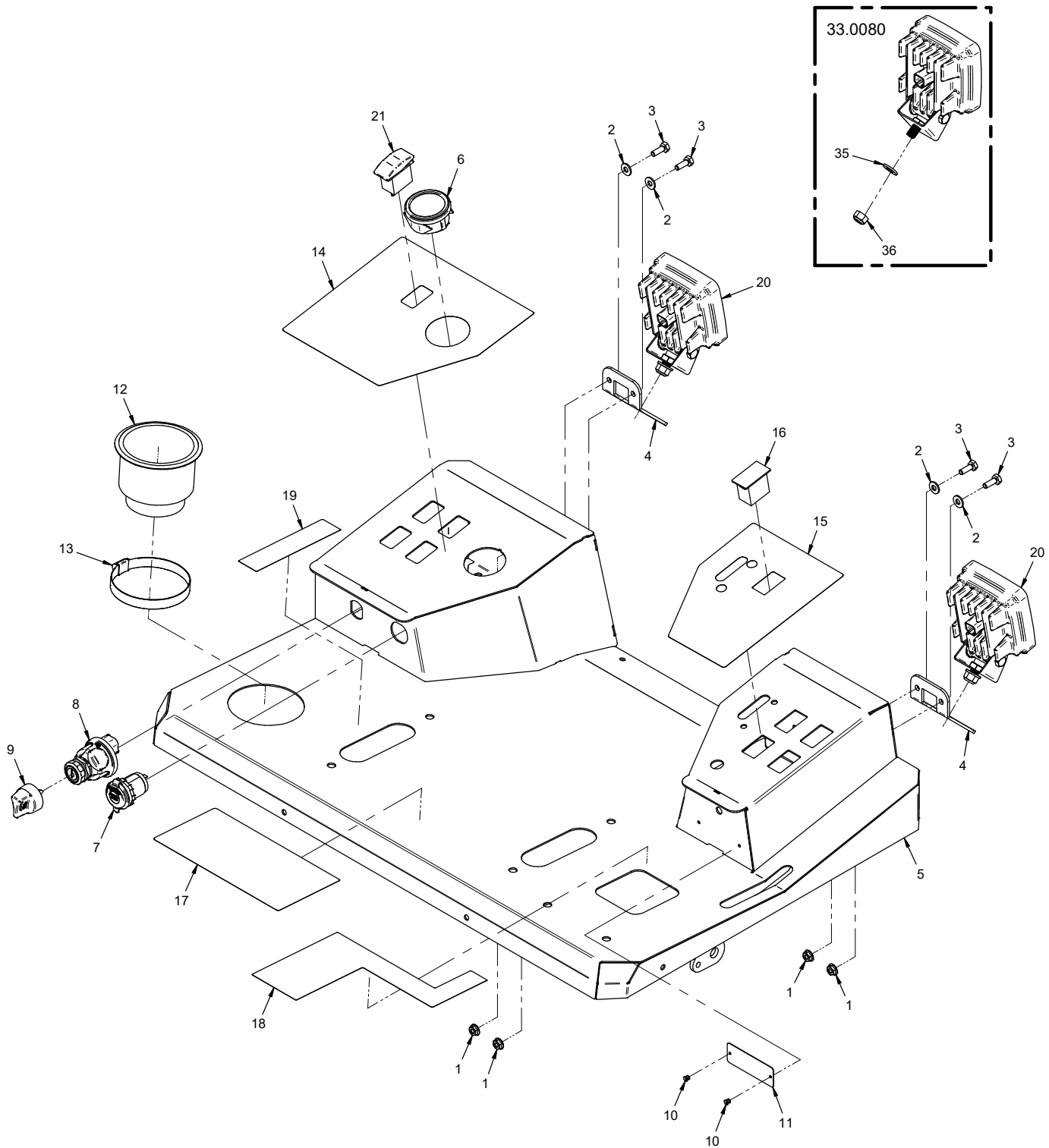
FRAMES, COVERS, & WHEELS

Dash Mount & Grab Bars

REF.	PART NO.	DESCRIPTION	QTY.
1	99.SF04-3	.Nut, SRF 1/4-20 USS Stainless	6
2	90.0608-3	.Bolt, 3/8-16 USS x 1 SS	6
3	95.04-3	.Washer, Flat 1/4 SAE SS	6
4	90.0406-3	.Bolt, 1/4-20 USS x 3/4 SS	6
5	NT-6441	.Frame, Dash Panel	1
6	04.0029	.Rivet, Pop 1/8" X 1/4" SS	4
7	NT-1471	.Mount, Brush Aux. Handle	1
8	79.0114	.Brush, Joystick Cover	2
9	NT-1369	.Grab Bar, Drive Controls	2
10	NT-1367	.Grab Bar, Aux Controls	1
11	44.0392	.Grip, Foam - 20"	2
12	44.0393	.Grip, Foam - 12"	1
13	94.06-3	.Washer, Flat 3/8 USS Stainless	12

FRAMES, COVERS, & WHEELS

ILLUSTRATED DRAWING Dash Decals, Switches, & Headlights



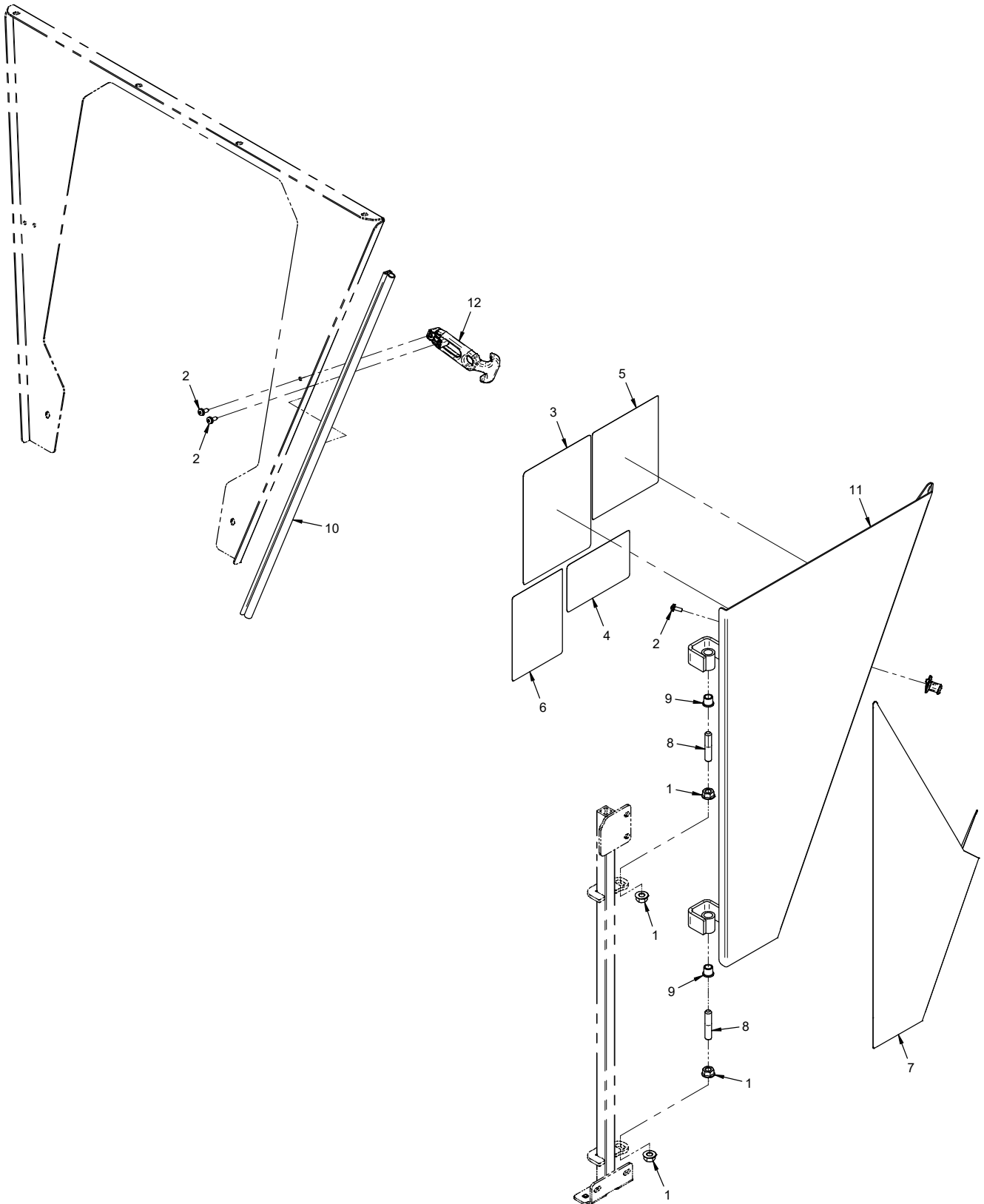
FRAMES, COVERS, & WHEELS

Dash Decals, Switches, & Headlights

REF.	PART NO.	DESCRIPTION	QTY.
1	99.SF04-3	.Nut, SRF 1/4-20 USS Stainless	4
2	95.04-3	.Washer, Flat 1/4 SAE SS	4
3	90.0406-3	.Bolt, 1/4-20 USS x 3/4 SS	4
4	NT-1514	.Mount, Work Light	2
5	NT-6441	.Frame, Dash Panel	1
6	35.0152	.Gauge, Cluster Hour	1
7	30.0480	.Receptacle, USB Dual	1
8	13.0323	.Switch, Ignition IP67	1
9	13.0324	.Key, Ignition w/Boot (Set of 2)	1
10	04.0007	.Rivet, Pop 1/8 X 1/8 SS	2
11	N/A	.Plate, Ventrac Serial Number	1
12	47.0185	.Holder, Cup 3.586 OD x 3-1/4 DP	1
13	11.0077	.Clamp, Hose 3-1/16 To 4"	1
14	00.0435	.Decal, Left Switch Panel	1
15	00.0489	.Decal, Right Switch Panel	1
16	05.0131	.Plug, Switch Otto K5	1
17	00.0437	.Decal, Warning Operator Safety	1
18	00.0438	.Decal, Right Controls	1
19	00.0450	.Decal, Left Control Lever	1
20	33.0080	.Light, LED Flood	2
21	31.0053	.Switch, Rocker On/Off	1
35	99.M0054	.Washer, Flat M10 SS	1
36	99.M0058	.Locknut, Nylon M10 x 1.5 SS	1

FRAMES, COVERS, & WHEELS

ILLUSTRATED DRAWING Right Door



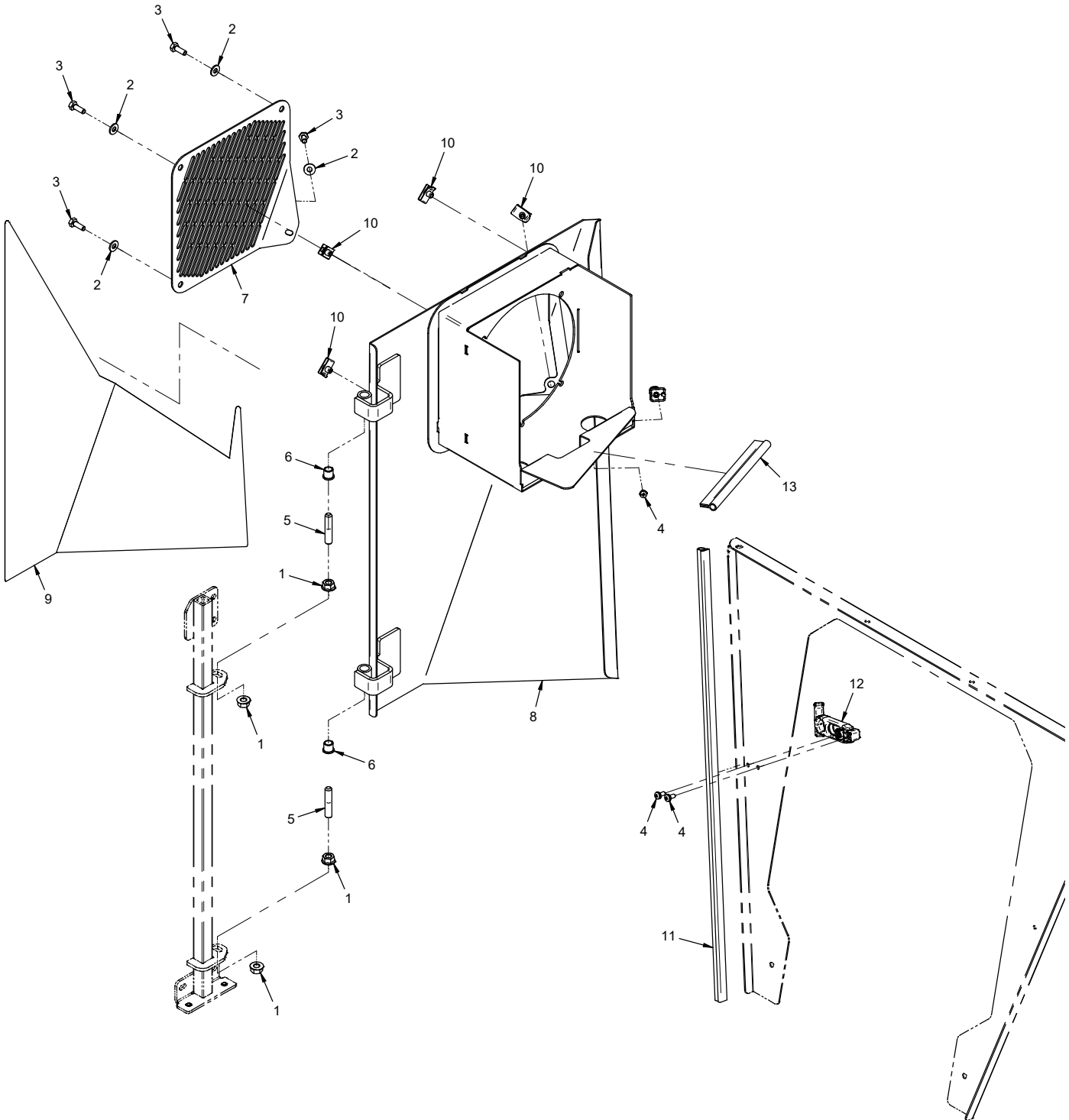
FRAMES, COVERS, & WHEELS

Right Door

REF.	PART NO.	DESCRIPTION	QTY.
1	99.SF06-3	.Nut, SRF 3/8-16 USS Stainless	4
2	99.K0148	.Machine Screw, #10-24 X 1/2 SS.	3
3	00.0449	.Decal, Maintenance	1
4	00.0448	.Decal, Quick Reference	1
5	00.0498	.Decal, Fuse Panel NT2100	1
6	00.0385	.Decal, Maintenance Eng Oil.	1
7	00.0442	.Decal, NT Right Door	1
8	99.F0043	.Pin, Hinge 3/8-16 X 1-7/8 Ss	2
9	85.B0068	.Bushing, 3/8 X 1/2 OD X 1/2 LG.	2
10	06.0049-25.5IN	.Trim, 7/16" Bulb Seal Side 1/16T x 25-1/2"	1
11	NT-6542	.Door, Tower Access Right.	1
12	47.0127	.Latch, Rubber Draw T-Handle	2

FRAMES, COVERS, & WHEELS

ILLUSTRATED DRAWING Left Door



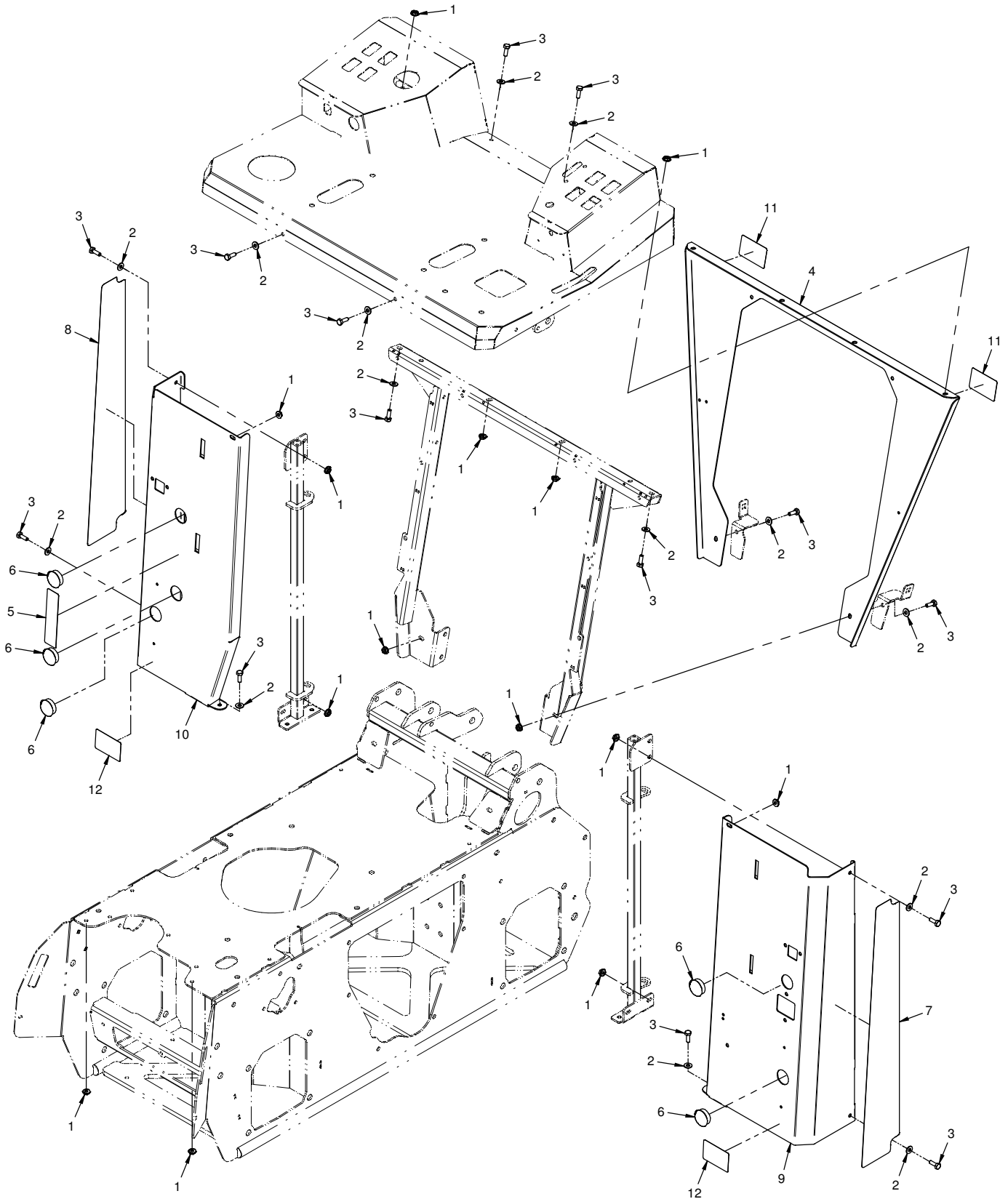
FRAMES, COVERS, & WHEELS

Left Door

REF.	PART NO.	DESCRIPTION	QTY.
1	99.SF06-3	.Nut, SRF 3/8-16 USS Stainless	4
2	95.04-3	.Washer, Flat 1/4 SAE SS	4
3	90.0406-3	.Bolt, 1/4-20 USS x 3/4 SS	4
4	99.K0148	.Machine Screw, #10-24 X 1/2 SS	3
5	99.F0043	.Pin, Hinge 3/8-16 X 1-7/8 SS	2
6	85.B0068	.Bushing, 3/8 X 1/2 OD X 1/2 LG.	2
7	NT-1540	.Cover, Hyd. Cooling Fan	1
8	NT-6541	.Door, Tower Access Left	1
9	00.0440	.Decal, NT Left Door	1
10	99.E0046	.Nut, "U" 1/4-20 Extruded	4
11	06.0049-25.5IN	.Trim, 7/16" Bulb Seal Side 1/16T x 25-1/2"	1
12	47.0127	.Latch, Rubber Draw T-Handle	1
13	06.0043-7IN	.Trim, 7/16" Bulb Seal Top x 7"	1

FRAMES, COVERS, & WHEELS

ILLUSTRATED DRAWING Front & Rear Upper Frame Covers



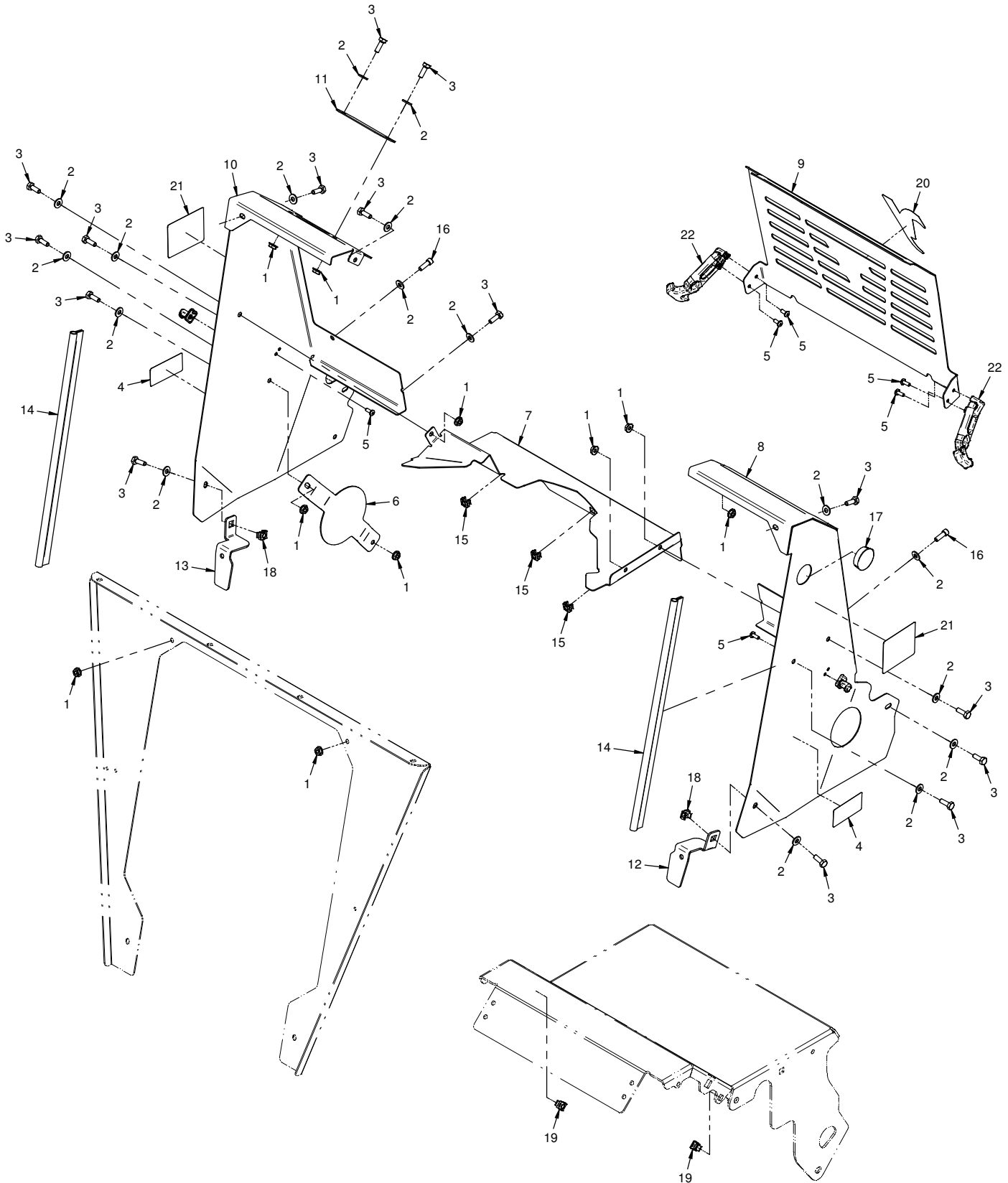
FRAMES, COVERS, & WHEELS

Front & Rear Upper Frame Covers

REF.	PART NO.	DESCRIPTION	QTY.
1	99.SF04-3	.Nut, SRF 1/4-20 USS Stainless	14
2	95.04-3	.Washer, Flat 1/4 SAE SS	14
3	90.0406-3	.Bolt, 1/4-20 USS x 3/4 SS	14
4	NT-1493	.Cover, Front Tower	1
5	00.0452	.Decal, Neutral	1
6	05.0091	.Plug, 1-1/4" Hole, Blk Plastic	5
7	00.0443	.Decal, NT Right Tower	1
8	00.0441	.Decal, NT Left Tower	1
9	NT-6103	.Cover, Right Rear Tower	1
10	NT-6104	.Cover, Left Rear Tower	1
11	47.0110	.Reflector, Amber 1 3/4 x 2 3/4	2
12	47.0109	.Reflector, Red 1 3/4 x 2 3/4	2

FRAMES, COVERS, & WHEELS

ILLUSTRATED DRAWING Engine Covers



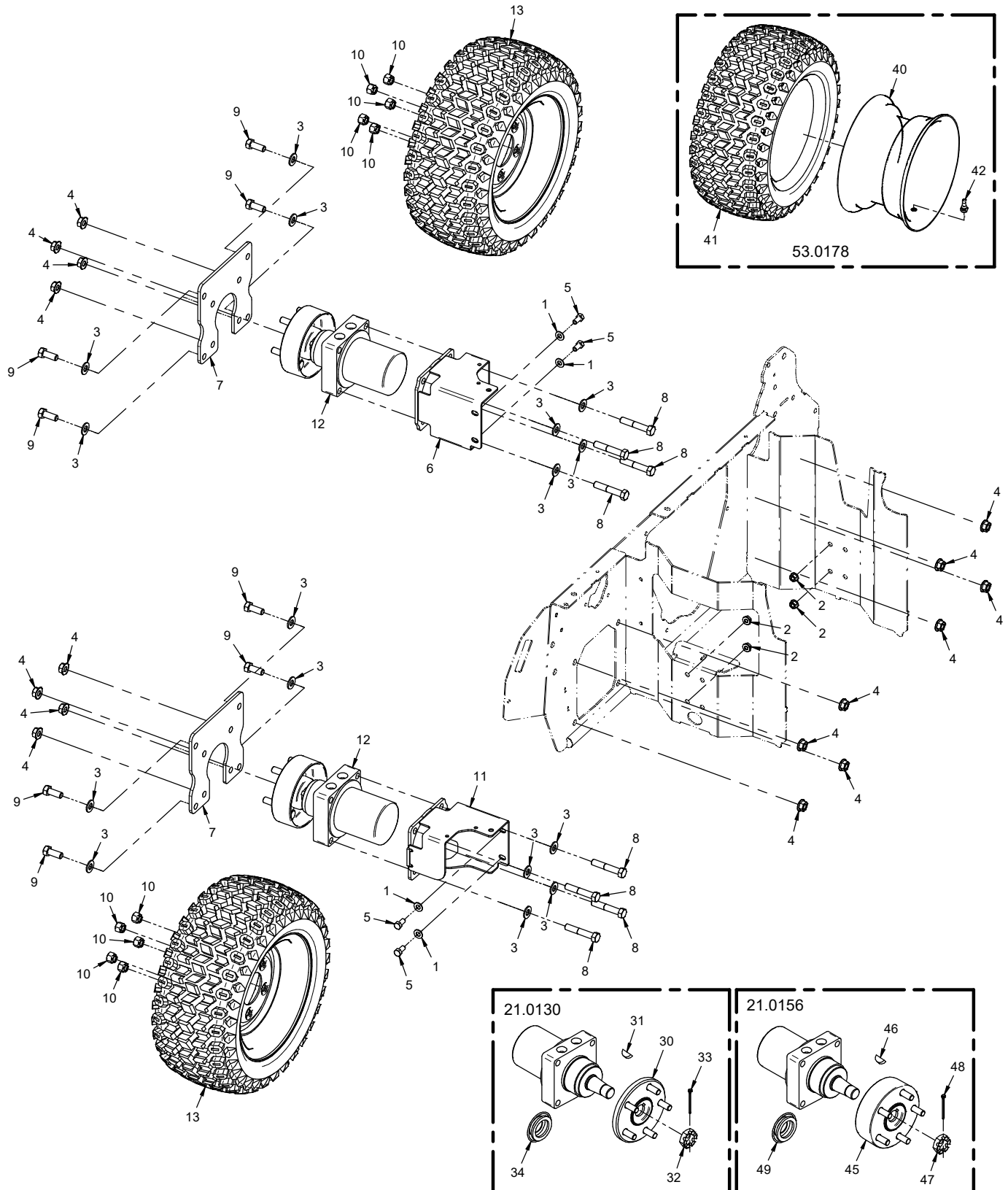
FRAMES, COVERS, & WHEELS

Engine Covers

REF.	PART NO.	DESCRIPTION	QTY.
1	99.SF04-3	.Nut, SRF 1/4-20 USS Stainless	10
2	95.04-3	.Washer, Flat 1/4 SAE SS	17
3	90.0406-3	.Bolt, 1/4-20 USS x 3/4 SS	15
4	00.0374	.Decal, Hot Surface	2
5	99.K0148	.Machine Screw, #10-24 X 1/2 SS.	6
6	NT-1893	.Shield, Left End Muffler Heat	1
7	NT-1859	.Plate, Airflow Divider	1
8	NT-1850	.Cover, Engine Front Right	1
9	NT-1854	.Panel, Front Access	1
10	NT-1851	.Cover, Engine Front Left	1
11	NT-1879	.Plate, Top Cover	1
12	NT-1852	.Mount, Engine Cover Lower Right	1
13	NT-1853	.Mount, Engine Cover Lower Left	1
14	06.0043-22.25IN	.Trim, 7/16" Bulb Seal Top 1/16T x 22-1/4"	2
15	99.E0145	.Nut, Cage 1/4-20 (.025-.063")	3
16	99.K0172	.Bolt, SHCS 1/4-20 x 3/4" SS	2
17	05.0187	.Plug, 1-3/8" Hole, Snap In	1
18	99.E0146	.Nut, Cage 1/4-20 (.093 - .126")	2
19	99.E0147	.Nut, Cage 1/4-20 (.125 - .156")	2
20	00.0192	.Decal, V-Decal Die Cut Blue.	1
21	00.0566	.Decal, Caution Air Temp	2
22	47.0127	.Latch, Rubber Draw T-Handle	2

FRAMES, COVERS, & WHEELS

ILLUSTRATED DRAWING Wheels & Wheel Motor Mounts - Left Side



FRAMES, COVERS, & WHEELS

Wheels & Wheel Motor Mounts - Left Side

REF.	PART NO.	DESCRIPTION	QTY.
1	95.06-3	.Washer, Flat 3/8 SAE SS	4
2	99.SF06-3	.Nut, SRF 3/8-16 USS Stainless	4
3	95.08	.Washer, Flat 1/2 SAE	16
4	99.SF08	.Nut, SRF 1/2-13 USS	16
5	90.0606-3	.Bolt, 3/8-16 USS x 3/4SS	4
6	NT-6236	.Cover, Wheel Motor LF, RR	1
7	NT-1235	.Mount, Wheel Motor	2
8	90.0822	.Bolt, 1/2-13 USS x 2-3/4	8
9	90.0810	.Bolt, 1/2-13 USS x 1-1/4	8
10	99.E0001	.Nut, Lug 1/2-20 SAE	10
11	NT-6251	.Cover, Wheel Motor RF, LR	1
12	21.0130	.Motor, Wheel Parker (Serial # 01001-03172)	2
12	21.0156	.Motor, Wheel Parker (Serial # 03173-)	2
13	53.0178	.Wheel, Asm 18 x 8.5-10	2
30	53.0181	.Hub, Wheel 5 Bolt 1-1/4" Taper Bore	1
31	85.W0508	.Key, Woodruff 5/16 x 1	1
32	99.E0069	.Nut, Castle 1"-20 UNEF	1
33	02.CP0516	.Cotter Pin, 5/32 x 2	1
34	89.0105	.Kit, Seal Parker TJ Series Wheel Motor	1
40	53.0200	.Rim, 10.0 x 6.00 5 Bolt	1
41	53.0199	.Tire, 18 x 8.5-10	1
42	53.0139	.Valve Stem	1
45	53.0220	.Hub, Cast Wheel 5 Bolt 1-1/4" Taper Bore	1
46	85.W0508	.Key, Woodruff 5/16 x 1	1
47	99.E0069	.Nut, Castle 1"-20 UNEF	1
48	02.CP0516	.Cotter Pin, 5/32 x 2	1
49	89.0105	.Kit, Seal Parker TJ Series Wheel Motor	1

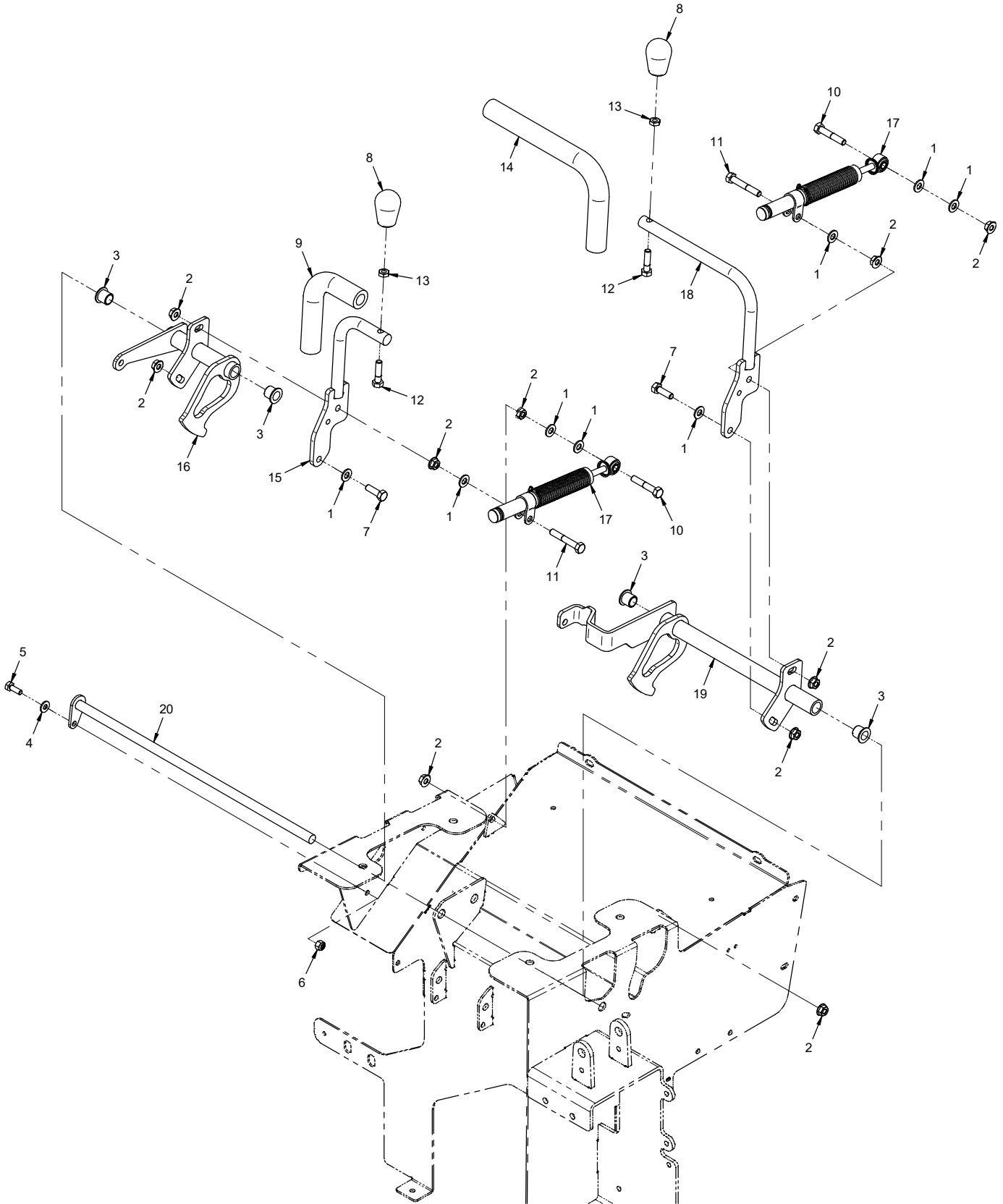
FRAMES, COVERS, & WHEELS

Wheels & Wheel Motor Mounts - Right Side

REF.	PART NO.	DESCRIPTION	QTY.
1	95.06-3	.Washer, Flat 3/8 SAE SS	4
2	99.SF06-3	.Nut, SRF 3/8-16 USS Stainless	4
3	95.08	.Washer, Flat 1/2 SAE	16
4	99.SF08	.Nut, SRF 1/2-13 USS	16
5	90.0606-3	.Bolt, 3/8-16 USS x 3/4SS	4
6	NT-6236	.Cover, Wheel Motor LF, RR	1
7	NT-1235	.Mount, Wheel Motor	2
8	90.0822	.Bolt, 1/2-13 USS x 2-3/4	8
9	90.0810	.Bolt, 1/2-13 USS x 1-1/4	8
10	99.E0001	.Nut, Lug 1/2-20 SAE	10
11	NT-6251	.Cover, Wheel Motor RF, LR	1
12	21.0130	.Motor, Wheel Parker (Serial # 01001-03172)	2
12	21.0156	.Motor, Wheel Parker (Serial # 03173-)	2
13	53.0178	.Wheel, Asm 18 x 8.5-10	2
30	53.0181	.Hub, Wheel 5 Bolt 1-1/4" Taper Bore	1
31	85.W0508	.Key, Woodruff 5/16 x 1	1
32	99.E0069	.Nut, Castle 1"-20 UNEF	1
33	02.CP0516	.Cotter Pin, 5/32 x 2	1
34	89.0105	.Kit, Seal Parker TJ Series Wheel Motor	1
40	53.0200	.Rim, 10.0 x 6.00 5 Bolt	1
41	53.0199	.Tire, 18 x 8.5-10	1
42	53.0139	.Valve Stem	1
45	53.0220	.Hub, Cast Wheel 5 Bolt 1-1/4" Taper Bore	1
46	85.W0508	.Key, Woodruff 5/16 x 1	1
47	99.E0069	.Nut, Castle 1"-20 UNEF	1
48	02.CP0516	.Cotter Pin, 5/32 x 2	1
49	89.0105	.Kit, Seal Parker TJ Series Wheel Motor	1

CONTROLS & LINKAGE

ILLUSTRATED DRAWING Drive Control Handles



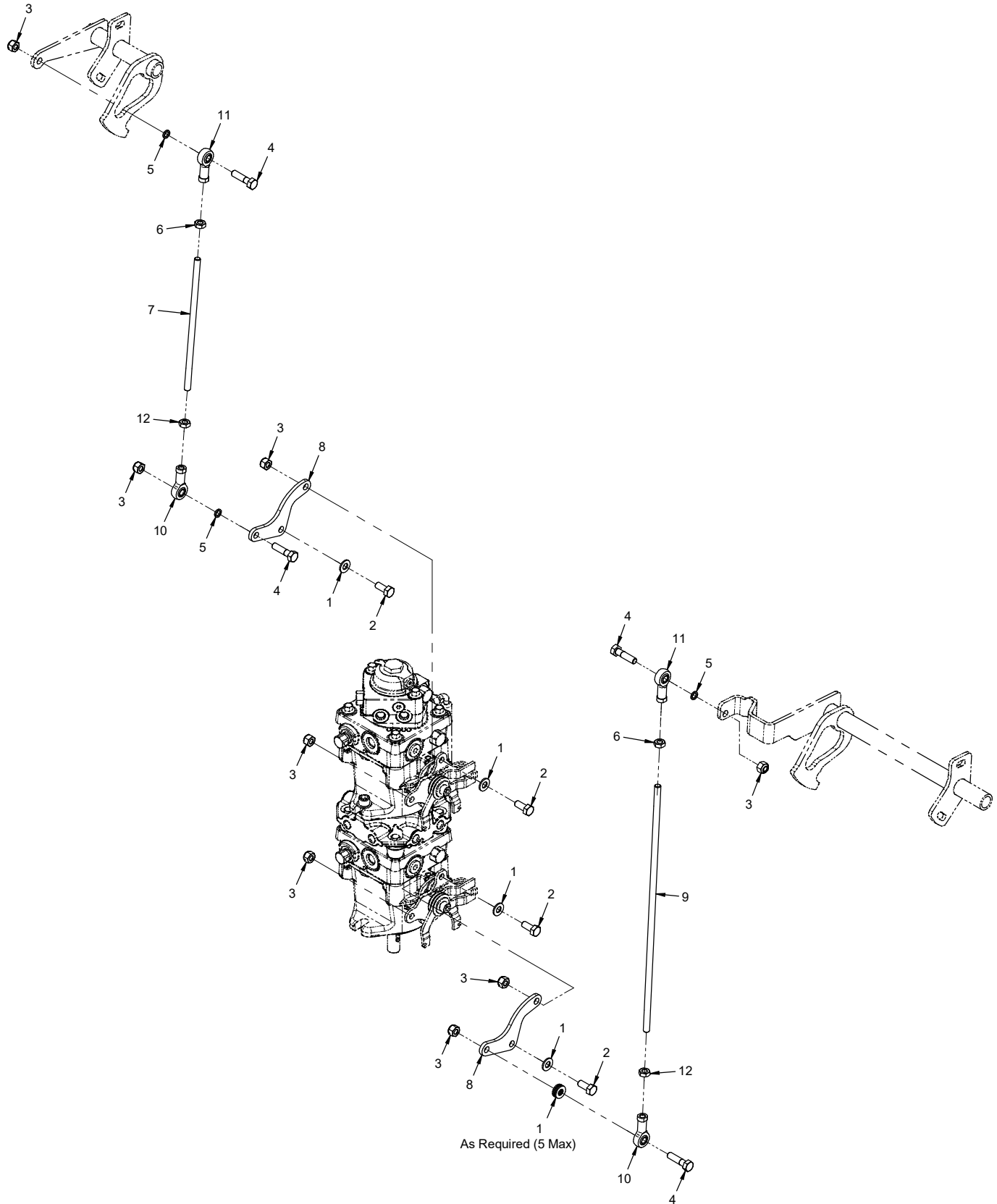
CONTROLS & LINKAGE

Drive Control Handles

REF.	PART NO.	DESCRIPTION	QTY.
1	95.05-3	.Washer, Flat 5/16 SAE SS	8
2	99.SF05-3	.Nut, SRF 5/16-18 USS Stainless	10
3	85.B0027	.Bushing, 1/2 ID X 5/8 OD X 5/8	4
4	95.04-3	.Washer, Flat 1/4 SAE SS	1
5	90.0406-3	.Bolt, 1/4-20 USS x 3/4 SS	1
6	99.A04N-3	.Locknut, Nylon 1/4-20 USS SS	1
7	90.0508-3	.Bolt, 5/16-18 USS x 1 SS	2
8	47.0423	.Knob, Sm. #80 5/16-18 Thread	2
9	44.0394	.Grip, Foam - 9"	1
10	90.0514-3	.Bolt, 5/16-18 USS x 1-3/4 SS	2
11	90.0516-3	.Bolt, 5/16-18 USS x 2 SS	2
12	90.0510-3	.Bolt, 5/16-18 USS x 1-1/4 SS	2
13	99.E0124	.Nut, Jam 5/16-18 Stainless	2
14	44.0395	.Grip, Foam - 14"	1
15	NT-6117	.Lever, Drive Control Left	1
16	NT-6115	.Arm, Drive Control Left	1
17	47.0242	.Damper, 2.625 Stroke Gas Shock	2
18	NT-6118	.Lever, Drive Control Right	1
19	NT-6116	.Arm, Drive Control Right	1
20	NT-6201	.Pin, Drive Control Arm Pivot	1

CONTROLS & LINKAGE

ILLUSTRATED DRAWING Drive Control Pump Links



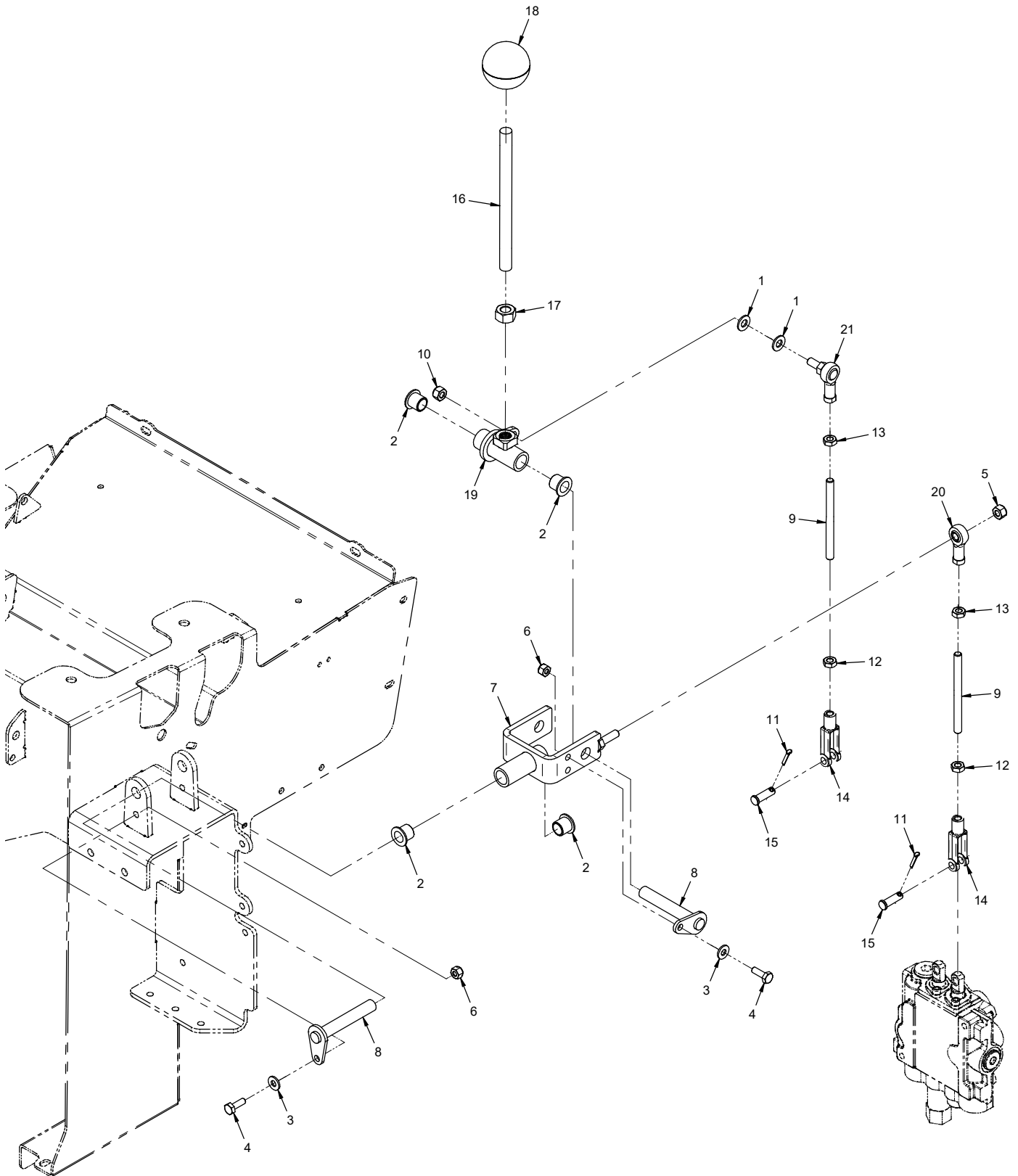
CONTROLS & LINKAGE

Drive Control Pump Links

REF.	PART NO.	DESCRIPTION	QTY.
1	95.05-3	.Washer, Flat 5/16 SAE SS	8
2	90.0506-3	.Bolt, 5/16-18 USS x 3/4 SS	4
3	99.A05N-3	.Locknut, Nylon 5/16-18 SS	8
4	90.0510-3	.Bolt, 5/16-18 USS x 1-1/4 SS	4
5	99.B0102	.Washer, .313ID x .438OD x .062	3
6	99.E0129	.Nut, Jam 5/16-24 LH ZP	2
7	42.0593	.Rod, Thread 5/16-24 X 7-3/4 RH/LH	1
8	NT-1494	.Arm, Pump Control	2
9	42.0594	.Rod, Thread 5/16-24 X 14-3/4RH/LH	1
10	43.005	.Rod End, 5/16 Spherical	2
11	43.005L	.Rod End, 5/16 Spherical (LH)	2
12	99.E0128	.Nut, Jam 5/16-24 ZP	2

CONTROLS & LINKAGE

ILLUSTRATED DRAWING Hydraulic Control Lever & Auxiliary Valve Links



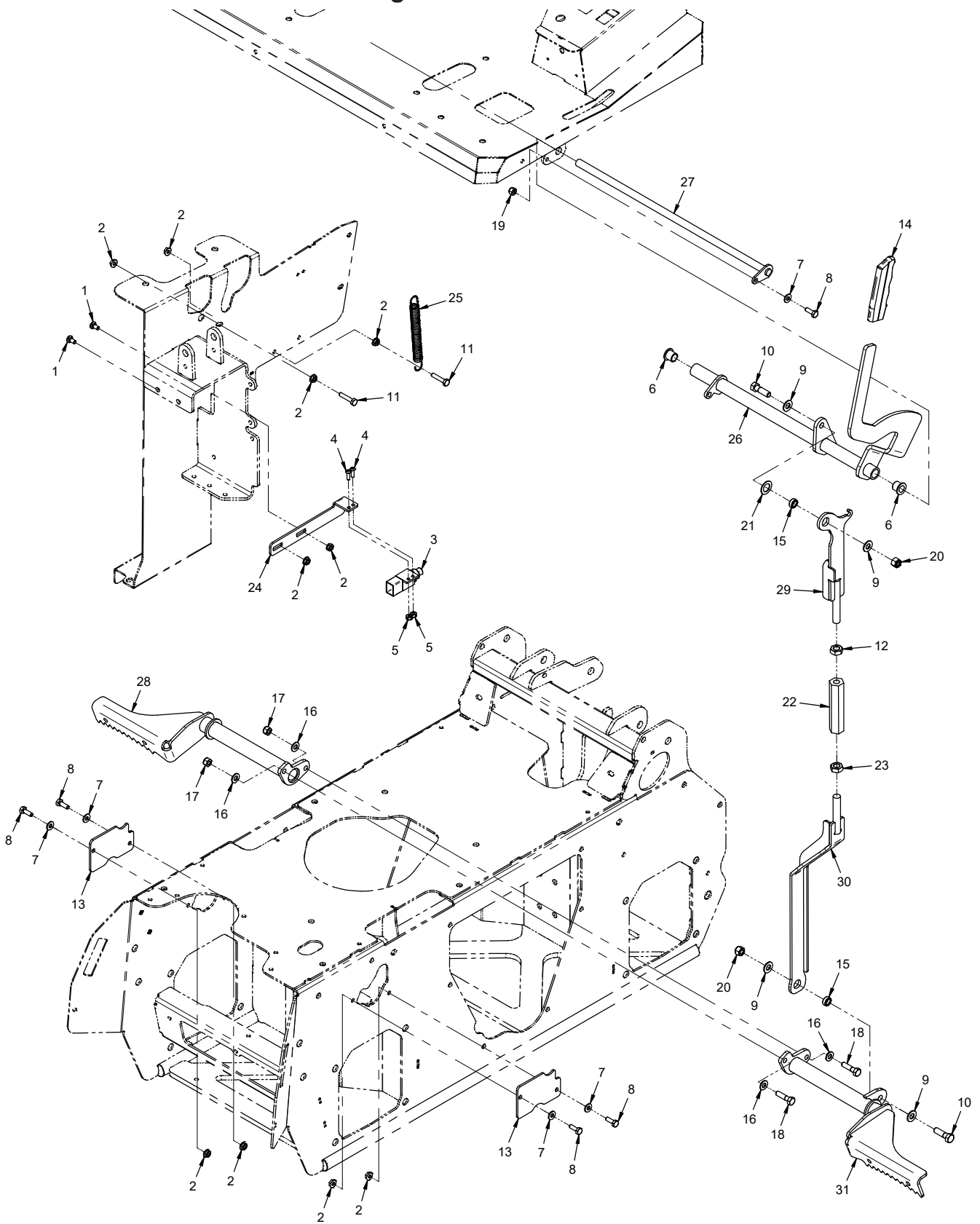
CONTROLS & LINKAGE

Hydraulic Control Lever & Auxiliary Valve Links

REF.	PART NO.	DESCRIPTION	QTY.
1	95.05-3	.Washer, Flat 5/16 SAE SS	2
2	85.B0027	.Bushing, 1/2 ID X 5/8 OD X 5/8	4
3	95.04-3	.Washer, Flat 1/4 SAE SS	2
4	90.0406-3	.Bolt, 1/4-20 USS x 3/4 SS	2
5	99.A05N	.Locknut, Nylon 5/16-18 USS	1
6	99.A04N-3	.Locknut, Nylon 1/4-20 USS SS	2
7	NT-6106	.Pivot, Auxiliary Hydraulic	1
8	NT-6547	.Pin, Hyd. Lift Pivot	2
9	42.0592	.Rod, Thread 5/16-24 X 4 RH/LH	2
10	99.A05NFN	.Locknut, Nylon 5/16-24 SAE ZP	1
11	02.CP0406	.Cotter Pin, 1/8 X 3/4	2
12	99.E0128	.Nut, Jam 5/16-24 ZP	2
13	99.E0129	.Nut, Jam 5/16-24 LH ZP	2
14	43.C05-1R	.Clevis End, 5/16-24 RH ZP	2
15	03.0508	.Clevis Pin, 5/16 X 1 ZP	2
16	40.0411	.Handle, Aux Control ZP	1
17	92.08	.Nut, 1/2-13 USS	1
18	47.0003	.Knob, Round 2" x 1/2-13	1
19	NT-6105	.Pivot, Hydraulic Lift	1
20	43.005L	.Rod End, 5/16 Spherical (LH)	1
21	43.005SL	.Rod End, 5/16 Spher. LH w/Stud	1

CONTROLS & LINKAGE

ILLUSTRATED DRAWING Parking Brake & Brake Switch



CONTROLS & LINKAGE

Parking Brake & Brake Switch

REF.	PART NO.	DESCRIPTION	QTY.
1	97.0404-3	.Bolt, Carriage 1/4-20 X 1/2 SS	2
2	99.SF04-3	.Nut, SRF 1/4-20 USS Stainless	10
3	31.0072	.Switch, Plunger Sealed	1
4	99.K0149	.Machine Screw, BSCS #10-32 X 5/8 SS	2
5	99.A1032N	.Locknut, Nylon 10-32 Stainless	2
6	85.B0027	.Bushing, 1/2 ID X 5/8 OD X 5/8	2
7	95.04-3	.Washer, Flat 1/4 SAE SS	5
8	90.0406-3	.Bolt, 1/4-20 USS x 3/4 SS	5
9	95.06	.Washer, Flat 3/8 SAE	4
10	90.0610	.Bolt, 3/8-16 USS x 1-1/4	2
11	90.0410-3	.Bolt, 1/4-20 USS x 1-1/4 SS	2
12	99.E0058	.Nut, Jam 1/2-13 USS	1
13	NT-1739	.Flange, Parking Brake Pivot	2
14	47.0086	.Grip, Slip-On Handle - Black	1
15	64.0602	.Bushing, 3/8 x 5/8 x .265	2
16	95.05	.Washer, Flat 5/16 SAE	4
17	99.A05N	.Locknut, Nylon 5/16-18 USS	2
18	90.0510	.Bolt, 5/16-18 USS x 1-1/4"	2
19	99.A04N-3	.Locknut, Nylon 1/4-20 USS SS	1
20	99.A06N	.Locknut, Nylon 3/8-16	2
21	99.B0055	.Washer, Mach 5/8X 1 X 18Ga	1
22	99.E0132	.Nut, Sleeve 1/2-13 USS RH/LH	1
23	99.E0131	.Nut, Jam 1/2-13 USS LH	1
24	NT-1724	.Bracket, Parking Brake Switch	1
25	41.0064	.Spring, Ext. 3/4 x 3-1/2 OA Lg	1
26	NT-6114	.Handle, Parking Brake	1
27	NT-6119	.Pin, Brake Handle Pivot	1
28	NT-6109	.Arm, Parking Brake Left	1
29	NT-6120	.Link, Parking Brake Upper	1
30	NT-6121	.Link, Parking Brake Lower	1
31	NT-6101	.Arm, Parking Brake Right	1

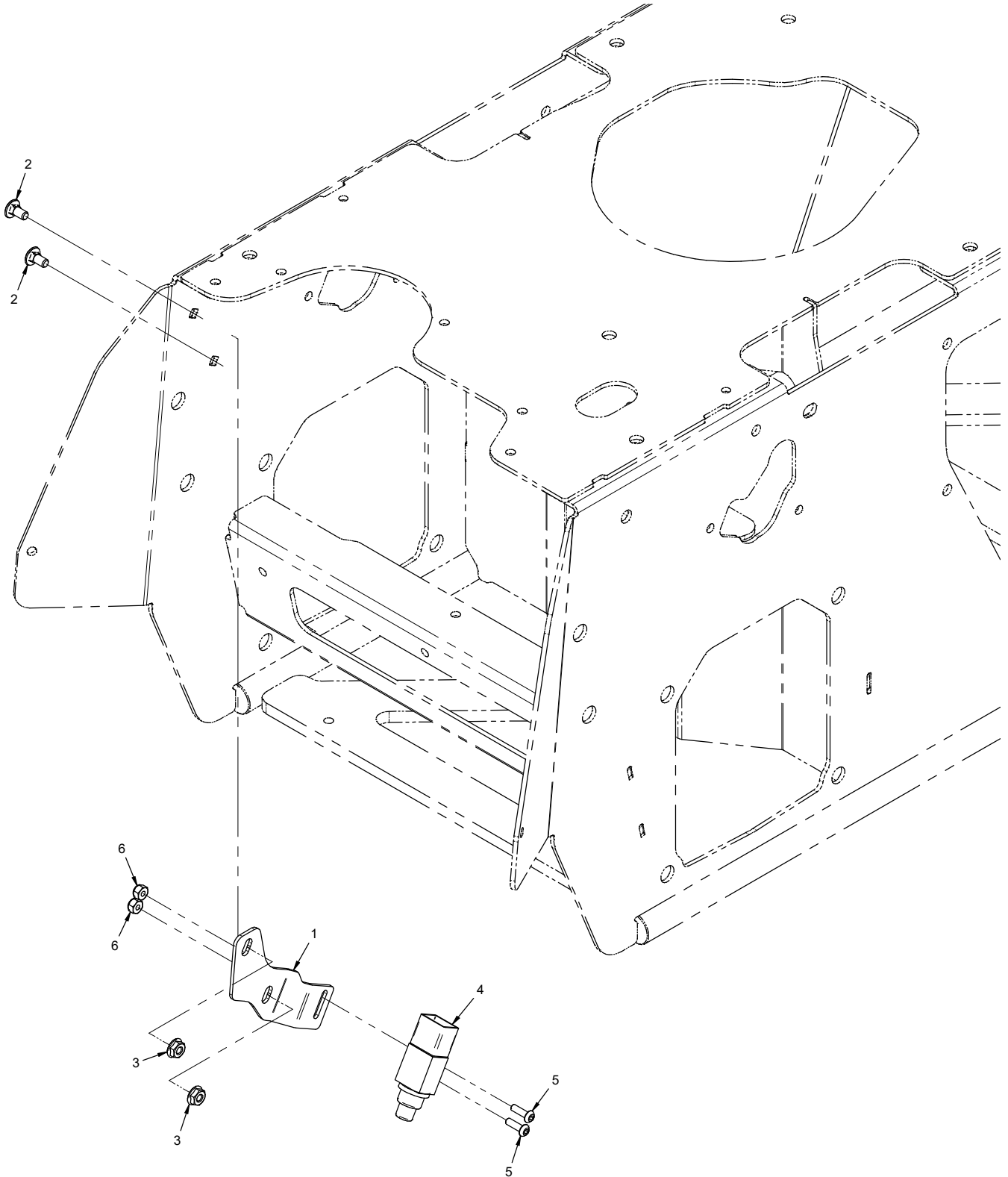
CONTROLS & LINKAGE

Neutral Lock

REF.	PART NO.	DESCRIPTION	QTY.
1	99.SF05-3	.Nut, SRF 5/16-18 USS Stainless	4
2	95.04-3	.Washer, Flat 1/4 SAE SS	1
3	90.0406-3	.Bolt, 1/4-20 USS x 3/4 SS	1
4	85.B0068	.Bushing, 3/8 X 1/2 OD X 1/2 LG.	2
5	99.A04N-3	.Locknut, Nylon 1/4-20 USS SS	1
6	90.0508-3	.Bolt, 5/16-18 USS x 1 SS	4
7	99.E0129	.Nut, Jam 5/16-24 LH ZP	1
8	99.E0128	.Nut, Jam 5/16-24 ZP	1
9	55.0022	.Bearing, Ball .315 ID X .8661 OD	2
10	99.B0102	.Washer, .313ID x .438OD x .062	4
11	42.0596	.Rod, Thread 5/16-24 x 1-3/4 RH/LH	1
12	NT-6112	.Rocker, Neutral Engagement	1
13	NT-6113	.Pin, Neutral Rocker Pivot	1
14	43.005	.Rod End, 5/16 Spherical	1
15	43.005L	.Rod End, 5/16 Spherical (LH)	1

CONTROLS & LINKAGE

ILLUSTRATED DRAWING Operator Presence (Platform) Switch



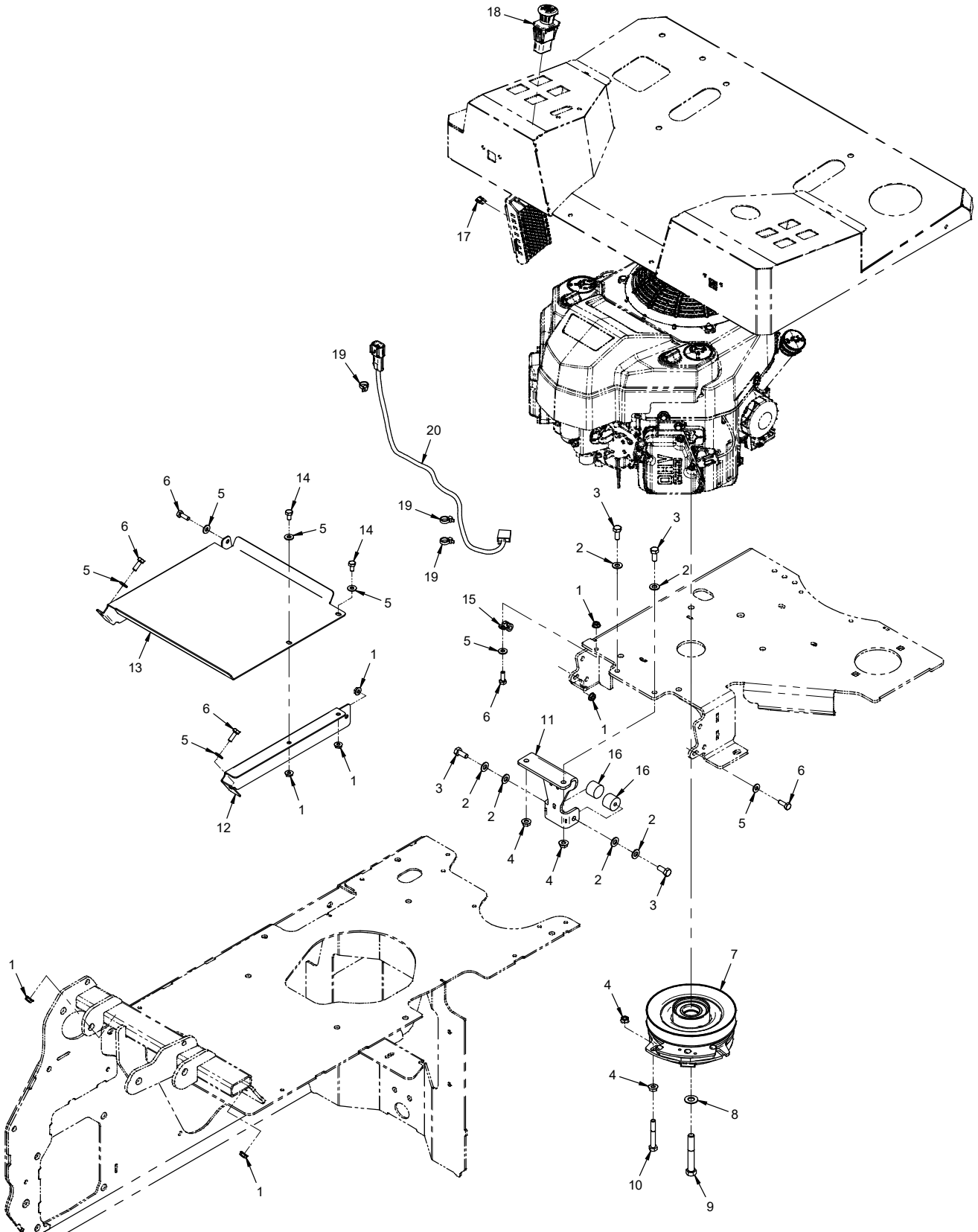
CONTROLS & LINKAGE

Operator Presence (Platform) Switch

REF.	PART NO.	DESCRIPTION	QTY.
1	NT-1688	.Bracket, Platform Switch	1
2	97.0404-3	.Bolt, Carriage 1/4-20 X 1/2 SS	2
3	99.SF04-3	.Nut, SRF 1/4-20 USS Stainless	2
4	31.0072	.Switch, Plunger Sealed	1
5	99.K0149	.Machine Screw, BSCS #10-32 X 5/8 SS	2
6	99.A1032N	.Locknut, Nylon 10-32 Stainless	2

OPTIONS

ILLUSTRATED DRAWING Clutch Mount, Shields, & Switch (70.6003 PTO Kit)



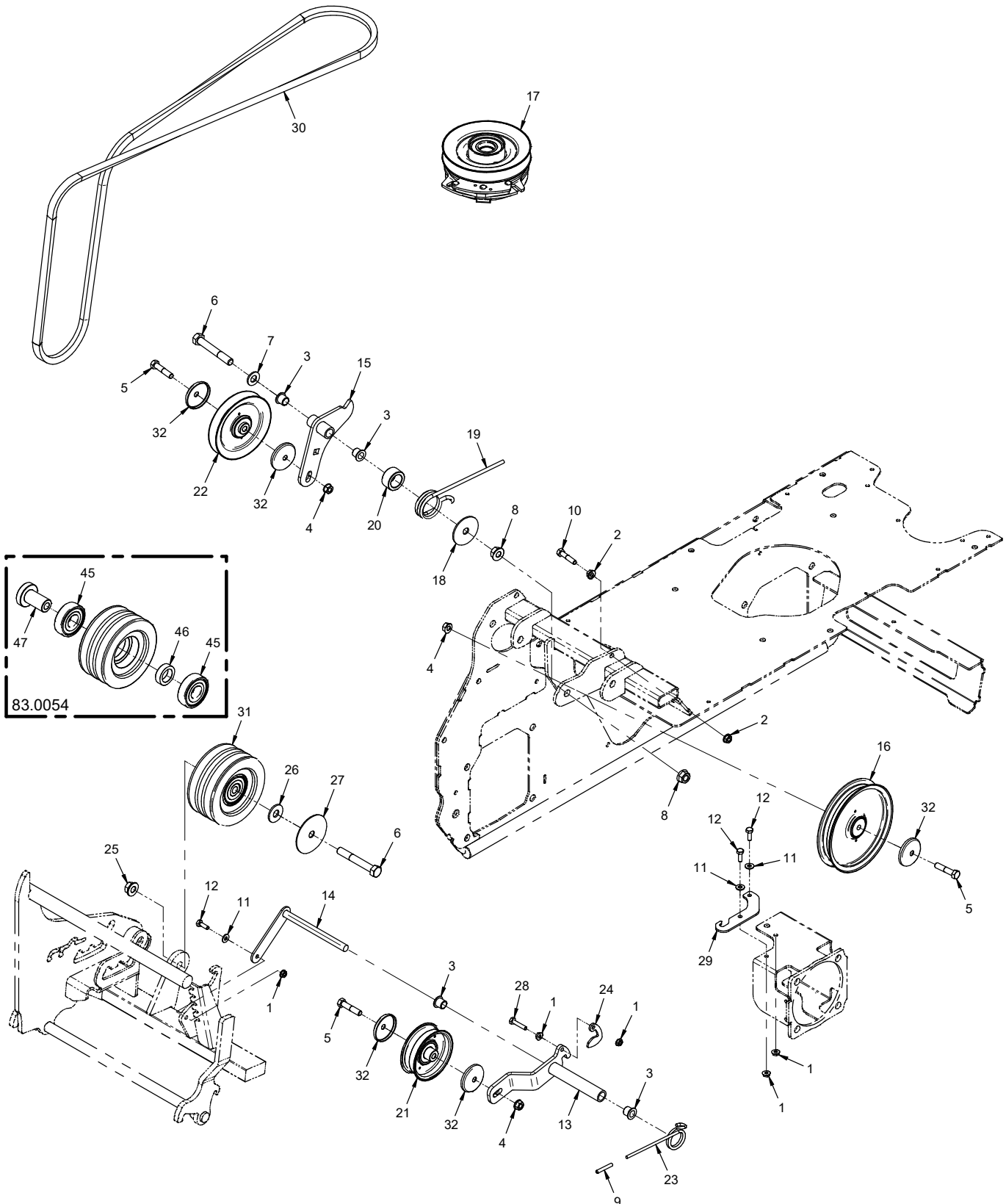
OPTIONS

Clutch Mount, Shields, & Switch (70.6003 PTO Kit)

REF.	PART NO.	DESCRIPTION	QTY.
1	99.SF04-3	.Nut, SRF 1/4-20 USS Stainless	7
2	95.05-3	.Washer, Flat 5/16 SAE SS	6
3	90.0506-3	.Bolt, 5/16-18 USS x 3/4 SS	4
4	99.SF05-3	.Nut, SRF 5/16-18 USS Stainless	4
5	95.04-3	.Washer, Flat 1/4 SAE SS	7
6	90.0406-3	.Bolt, 1/4-20 USS x 3/4 SS	5
7	37.0065	.Clutch, Elec. PTO	1
8	95.07	.Washer, Flat 7/16 SAE	1
9	91.0724	.Bolt, 7/16-20 SAE x 3	1
10	90.0518-3	.Bolt, 5/16-18 USS x 2-1/4" SS	1
11	NT-1636	.Bracket, Clutch Torque	1
12	NT-1217	.Mount, Belt Drive Cover	1
13	NT-1164	.Cover, Belt Drive	1
14	90.0404-3	.Bolt, 1/4-20 USS x 1/2 SS	2
15	11.0058	.Clamp, Cushioned 3/8"	1
16	05.0110	.Bumper, Neoprene 1" Dia	2
17	30.0333	.Fuse, 10 Amp Mini Red	1
18	31.0071	.Switch, PTO-Push/Pull Sealed	1
19	30.0037	.Tyton Tie, #50 .18 x 8 Black	3
20	32.0187	.Harness, Wire NT PTO	1

OPTIONS

ILLUSTRATED DRAWING Drive Belt & Pulleys (70.6003 PTO Kit)



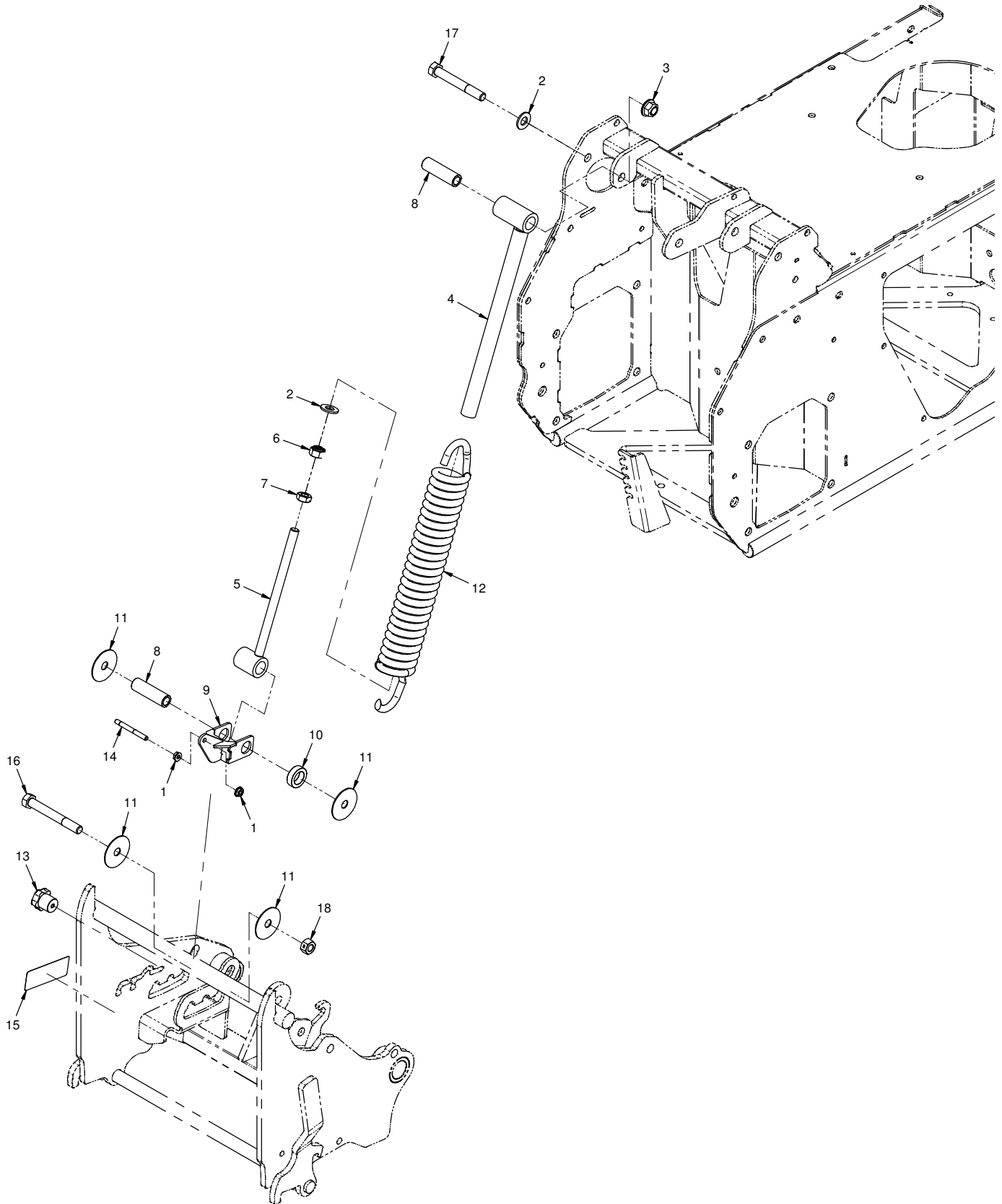
OPTIONS

Drive Belt & Pulleys (70.6003 PTO Kit)

REF.	PART NO.	DESCRIPTION	QTY.
1	99.SF04-3	.Nut, SRF 1/4-20 USS Stainless	5
2	99.SF05-3	.Nut, SRF 5/16-18 USS Stainless	2
3	85.B0027	.Bushing, 1/2 ID X 5/8 OD X 5/8	4
4	99.SF06-3	.Nut, SRF 3/8-16 USS Stainless	3
5	90.0614-3	.Bolt, 3/8-16 USS x 1-3/4 SS	3
6	90.0828	.Bolt, 1/2-13 USS x 3 1/2	2
7	95.08	.Washer, Flat 1/2 SAE	1
8	99.SF08	.Nut, SRF 1/2-13 USS	2
9	06.0086	.Cap, Vinyl 3/16" ID x 1-1/2"	1
10	90.0512-3	.Bolt, 5/16-18 USS x 1-1/2 SS	1
11	95.04-3	.Washer, Flat 1/4 SAE SS	3
12	90.0406-3	.Bolt, 1/4-20 USS x 3/4 SS	3
13	NT-6706	.Arm, Attachment Belt Tensioner	1
14	NT-6107	.Pin, Tensioner Arm Pivot	1
15	NT-6692	.Arm, PTO Drive Belt Tensioner	1
16	83.0070	.Pulley, Idler Flat 6" x 3/8"	1
17	37.0065	.Clutch, Elec. PTO	1
18	99.B0121	.Washer, .510 ID x 2-1/4 OD x 12 ga.	1
19	41.0100	.Spring, Torsion 1-5/8 x 6-1/2	1
20	64.1976	.Bushing, 1ID X 1.5OD X .750L	1
21	83.0013	.Pulley, Idler Flat 3/8 X 3 1/2	1
22	83.0031	.Pulley, V-Idler 5-1/16 x 3/8id	1
23	41.0083-1	.Spring, Torsion RH 1-3/16x5.18	1
24	NT-1218	.Plate, Spring Retainer	1
25	99.E0103	.Nut, Locking Flange 1/2-13	1
26	94.08	.Washer, Flat 1/2 USS	1
27	60.1279	.Cover, Pulley	1
28	90.0410-3	.Bolt, 1/4-20 USS x 1-1/4 SS	1
29	NT-1107	.Plate, Spring Catch	1
30	81.0167	.Belt, B86 Custom	1
31	83.0054	.Pulley, Idler 2 Groove Asm	1
32	60.1056	.Cover, Pulley	5
45	55.0064	.Bearing, Ball 25 MM x 62 MM	2
46	85.B0085	.Bushing, Bearing Spacer	1
47	85.B0084	.Bushing, Drive Pulley	1

OPTIONS

ILLUSTRATED DRAWING 70.6004 Weight Transfer Kit



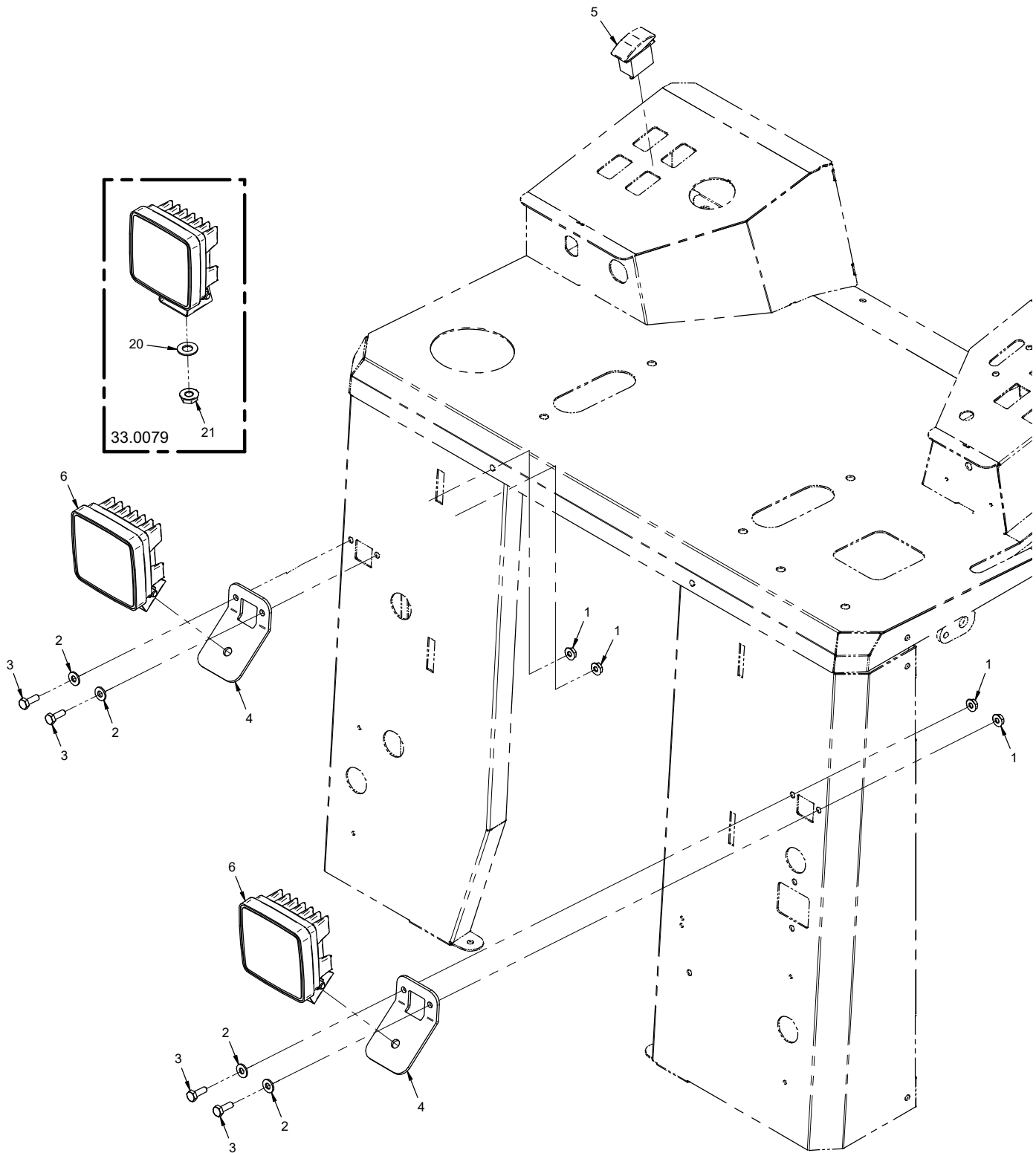
OPTIONS

70.6004 Weight Transfer Kit

REF.	PART NO.	DESCRIPTION	QTY.
1	99.SF04-3	.Nut, SRF 1/4-20 USS Stainless	2
2	95.08	.Washer, Flat 1/2 SAE	2
3	99.E0103	.Nut, Locking Flange 1/2-13	1
4	NT-6707	.Arm, Weight Transfer Upper	1
5	NT-6703	.Arm, Weight Transfer Lower	1
6	99.A08S	.Locknut, 1/2-13 Steel Insert Gr5	1
7	99.E0058	.Nut, Jam 1/2-13 USS	1
8	NT-1671	.Bushing, Weight Transfer Arm	2
9	NT-6205	.Lever, Wt Transfer Selector	1
10	NT-1114	.Spacer, Lower Cylinder Mount	1
11	99.B0123	.Washer, Fender 1/2" x 2" SS	4
12	41.0109	.Spring, Ext 2-1/2 OD X 15.2"Lg	1
13	47.0438	.Knob, 5 Lobe 1/4-20 Black PP	1
14	42.0595	.Rod, 1/4-20 x 2-1/2 OAL, Stainless	1
15	00.0446	.Decal, Weight Transfer	1
16	90.0832	.Bolt, 1/2-13 USS x 4	1
17	90.0830	.Bolt, 1/2-13 USS x 3-3/4	1
18	99.A08C	.Locknut, Center 1/2-13	1

OPTIONS

ILLUSTRATED DRAWING 70.6005 Rear Work Light Kit



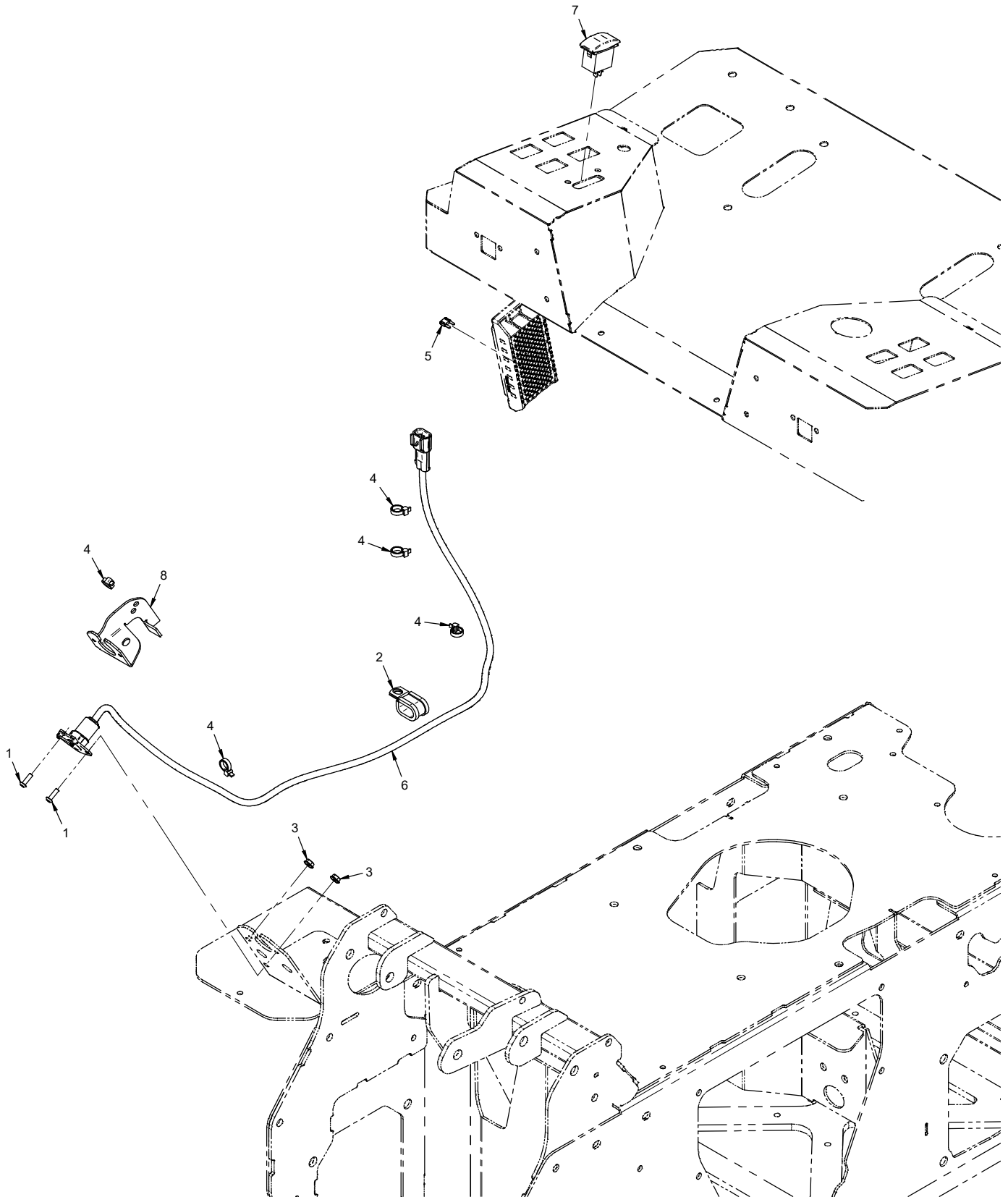
OPTIONS

70.6005 Rear Work Light Kit

REF.	PART NO.	DESCRIPTION	QTY.
1	99.SF04-3	.Nut, SRF 1/4-20 USS Stainless	4
2	95.04-3	.Washer, Flat 1/4 SAE SS	4
3	90.0406-3	.Bolt, 1/4-20 USS x 3/4 SS	4
4	NT-1514	.Mount, Work Light	2
5	31.0053	.Switch, Rocker On/Off	2
6	33.0079	.Light, LED Wide Flood	2
20	95.07	.Washer, Flat 7/16 SAE	1
21	99.M0021	.Nut, SMF M10 x 1.5mm	1

OPTIONS

ILLUSTRATED DRAWING 70.6006 12V Front Kit



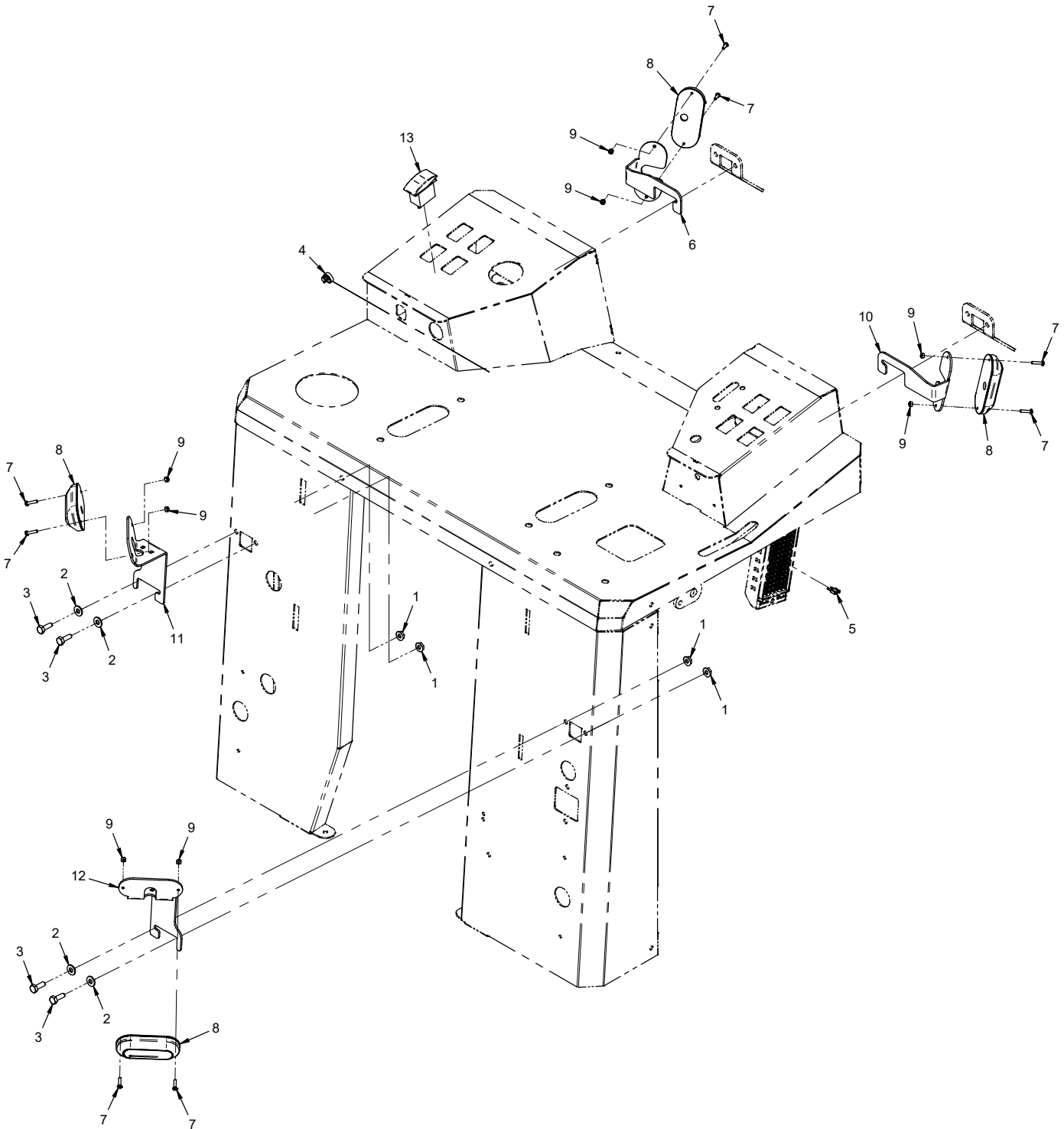
OPTIONS

70.6006 12V Front Kit

REF.	PART NO.	DESCRIPTION	QTY.
1	99.K0149	.Machine Screw, BSCS #10-32 X 5/8 SS	2
2	11.0046	.Clamp, Cushioned 1/2" 2-Tube	1
3	99.E0125	.Nut, SRF #10-32 Stainless	2
4	30.0037	.Tyton Tie, #50 .18 x 8 Black	5
5	30.0335	.Fuse, 20 Amp Mini Yellow	1
6	32.0186	.Harness, Wire NT 12V Front	1
7	31.0056	.Switch, Rocker (On)/Off/(On)	1
8	NT-1204	.Bracket, 12v With Dual Aux	1

OPTIONS

ILLUSTRATED DRAWING 70.6007 Strobe Light Kit



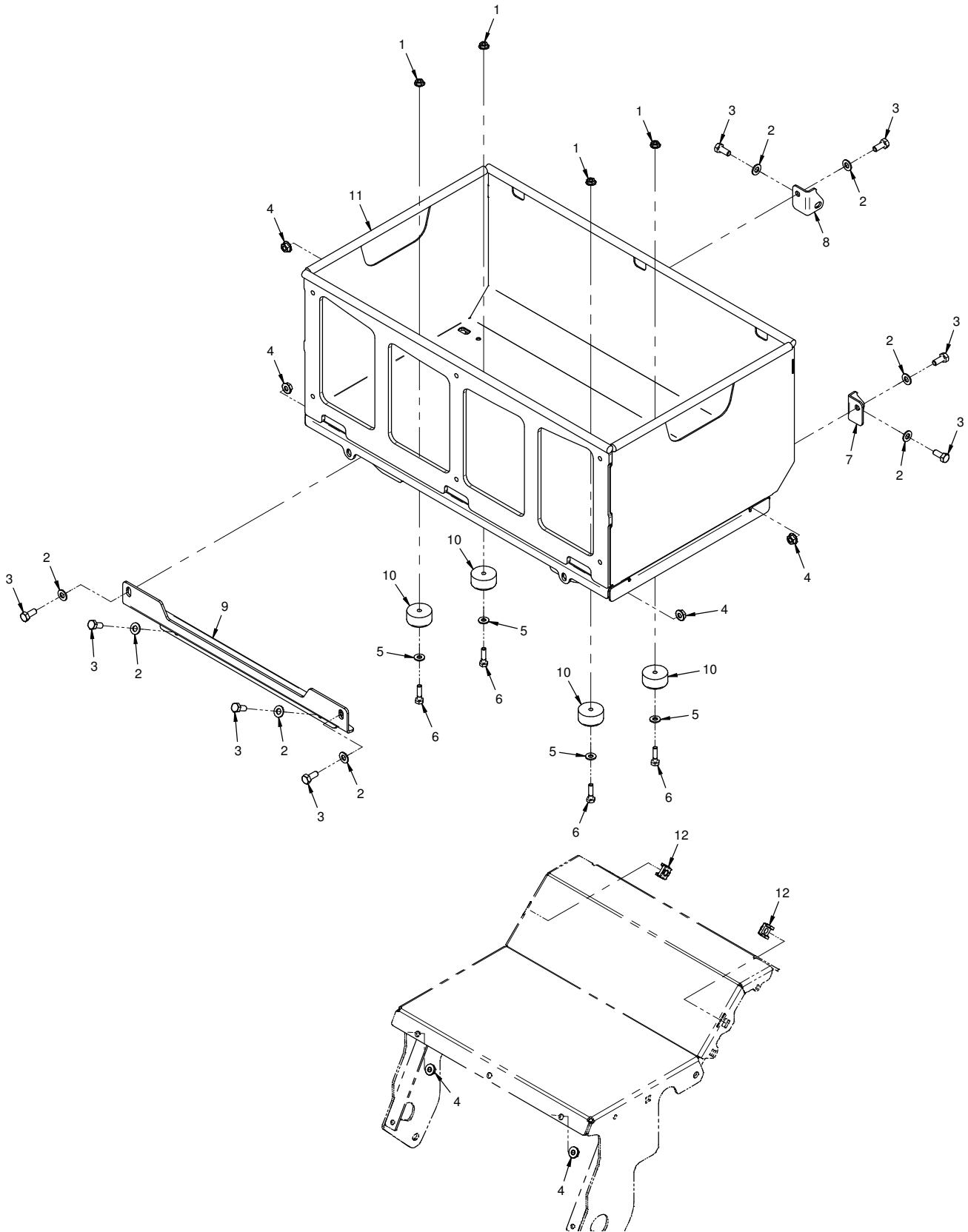
OPTIONS

70.6007 Strobe Light Kit

REF.	PART NO.	DESCRIPTION	QTY.
1	99.SF04-3	.Nut, SRF 1/4-20 USS Stainless	4
2	95.04-3	.Washer, Flat 1/4 SAE SS	4
3	90.0406-3	.Bolt, 1/4-20 USS x 3/4 SS	4
4	30.0037	.Tyton Tie, #50 .18 x 8 Black	8
5	30.0531	.Fuse, 3 Amp Mini Violet	1
6	NT-1551	.Mount, Left Front Strobe Light	1
7	99.K0166	.Machine Screw, #6-32 X 5/8 SS	8
8	33.0082	.Light, Strobe Amber Low Profile	4
9	99.E0118	.Locknut, Nylon #6-32 SS	8
10	NT-1559	.Mount, Right Front Strobe Light	1
11	NT-1550	.Mount, Left Rear Strobe Light	1
12	NT-1554	.Mount, Right Rear Strobe Light	1
13	31.0053	.Switch, Rocker On/Off	1

OPTIONS

ILLUSTRATED DRAWING 70.6010 Storage Basket Kit



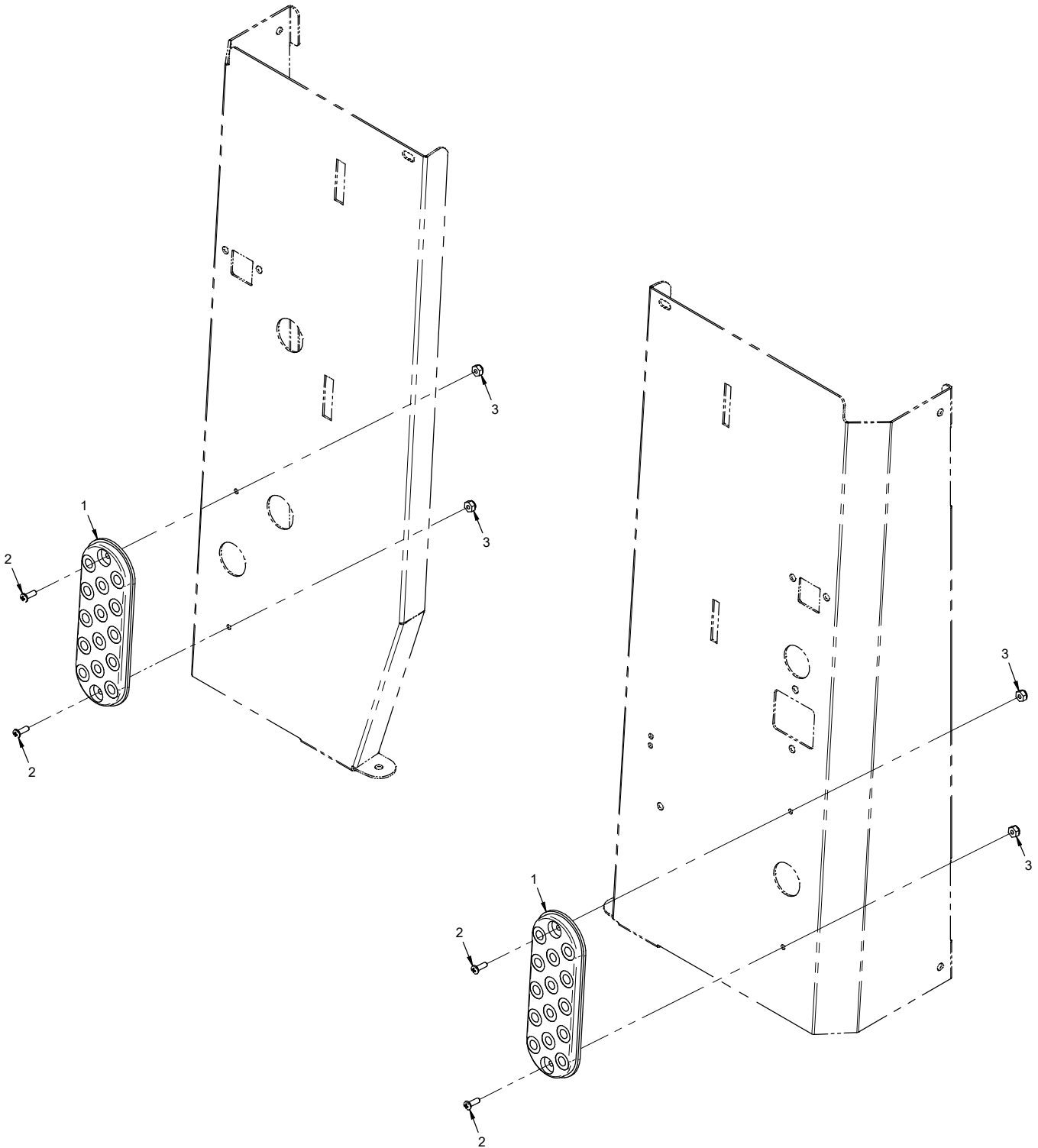
OPTIONS

70.6010 Storage Basket Kit

REF.	PART NO.	DESCRIPTION	QTY.
1	99.SF04-3	.Nut, SRF 1/4-20 USS Stainless	4
2	95.05-3	.Washer, Flat 5/16 SAE SS	8
3	90.0506-3	.Bolt, 5/16-18 USS x 3/4 SS	8
4	99.SF05-3	.Nut, SRF 5/16-18 USS Stainless	6
5	95.04-3	.Washer, Flat 1/4 SAE SS	4
6	90.0408-3	.Bolt, 1/4-20 USS x 1 SS	4
7	NT-1815	.Bracket, Basket Mount Left	1
8	NT-1816	.Bracket, Basket Mount Right	1
9	NT-1220	.Bracket, Basket Mount Front	1
10	05.0095	.Bumper, Rubber Cylindrical	4
11	NT-6725	.Basket, Storage	1
12	99.E0149	.Nut, Cage 5/16-18 (.127 - .162")	2

OPTIONS

ILLUSTRATED DRAWING 70.6012 Tail Light Kit



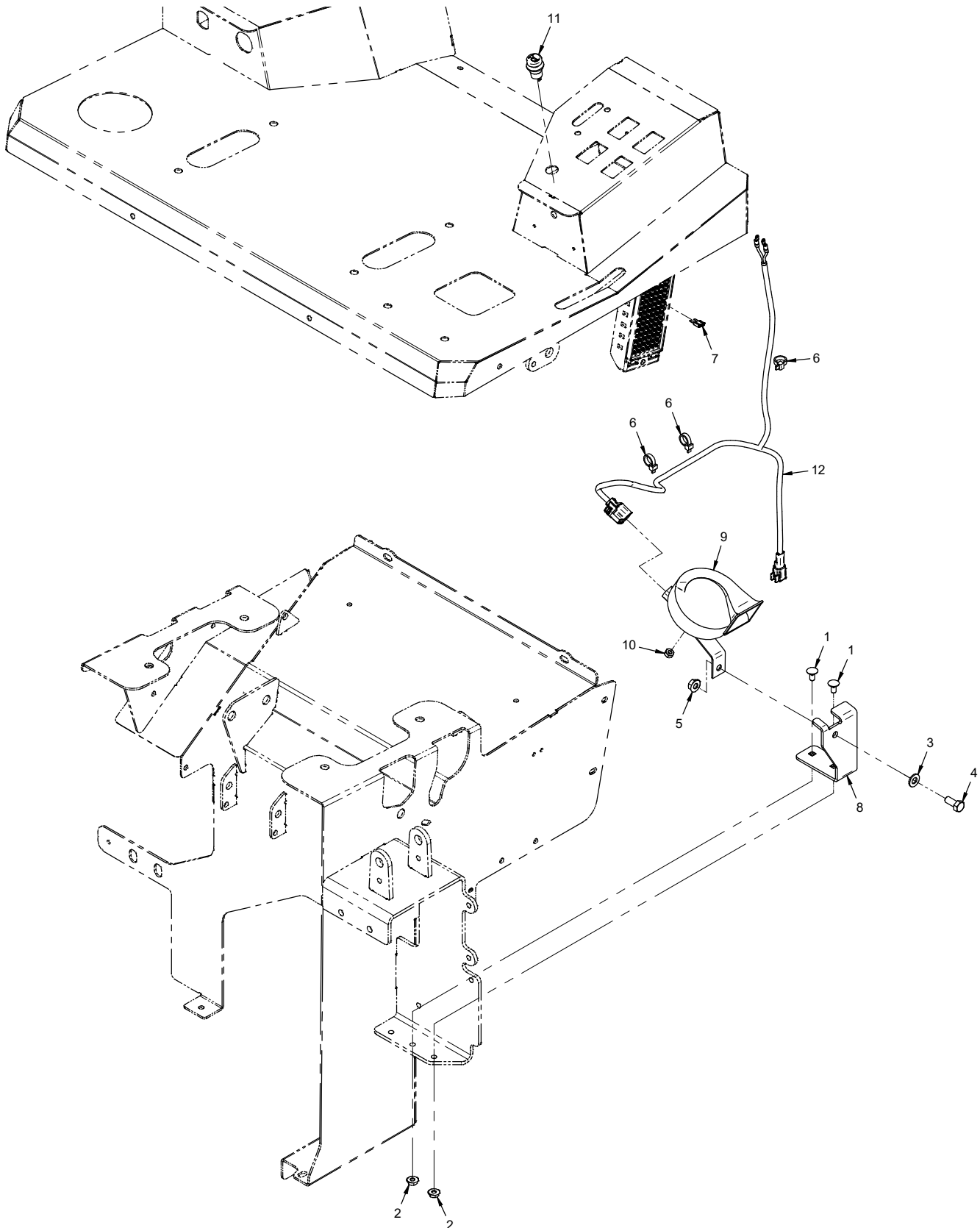
OPTIONS

70.6012 Tail Light Kit

REF.	PART NO.	DESCRIPTION	QTY.
1	33.0078	.Light, LED Stop/Tail/Turn Red	2
2	99.K0167	.Machine Screw, #8-32 X 1/2 SS	4
3	99.E0133	.Locknut, Nylon #8-32 SS	4

OPTIONS

ILLUSTRATED DRAWING 70.6013 Horn Kit



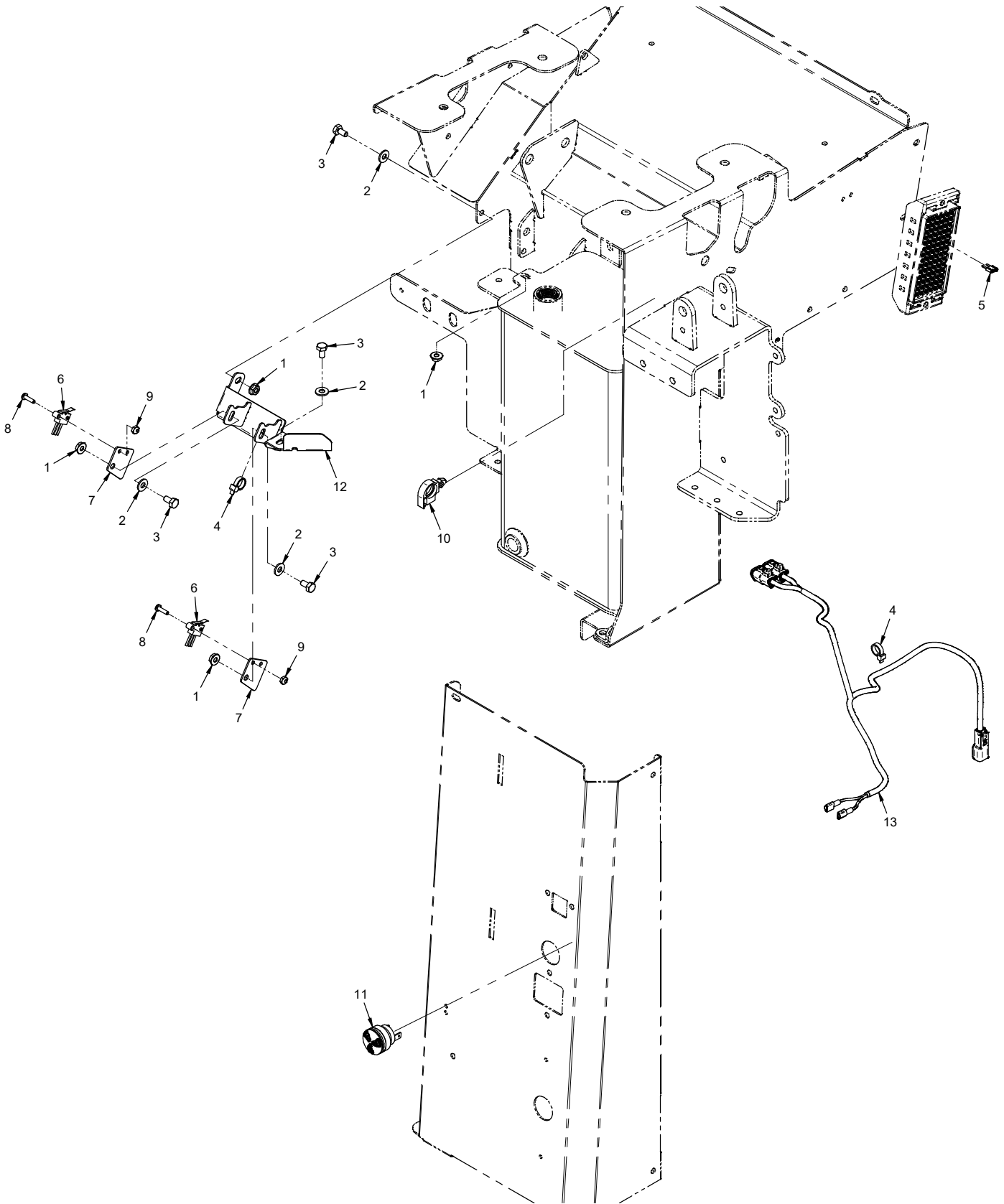
OPTIONS

70.6013 Horn Kit

REF.	PART NO.	DESCRIPTION	QTY.
1	97.0404-3	.Bolt, Carriage 1/4-20 X 1/2 SS	2
2	99.SF04-3	.Nut, SRF 1/4-20 USS Stainless	2
3	95.05-3	.Washer, Flat 5/16 SAE SS	1
4	90.0506-3	.Bolt, 5/16-18 USS x 3/4 SS	1
5	99.SF05-3	.Nut, SRF 5/16-18 USS Stainless	1
6	30.0037	.Tyton Tie, #50 .18 x 8 Black	3
7	30.0333	.Fuse, 10 Amp Mini Red	1
8	NT-1190	.Mount, Horn	1
9	33.0081	.Horn, Low Tone	1
10	99.M0031	.Nut, M6 X 1.00	1
11	31.0057	.Switch, Horn	1
12	32.0200	.Harness, Wire NT Horn	1

OPTIONS

ILLUSTRATED DRAWING 70.6014 Backup Alarm Kit



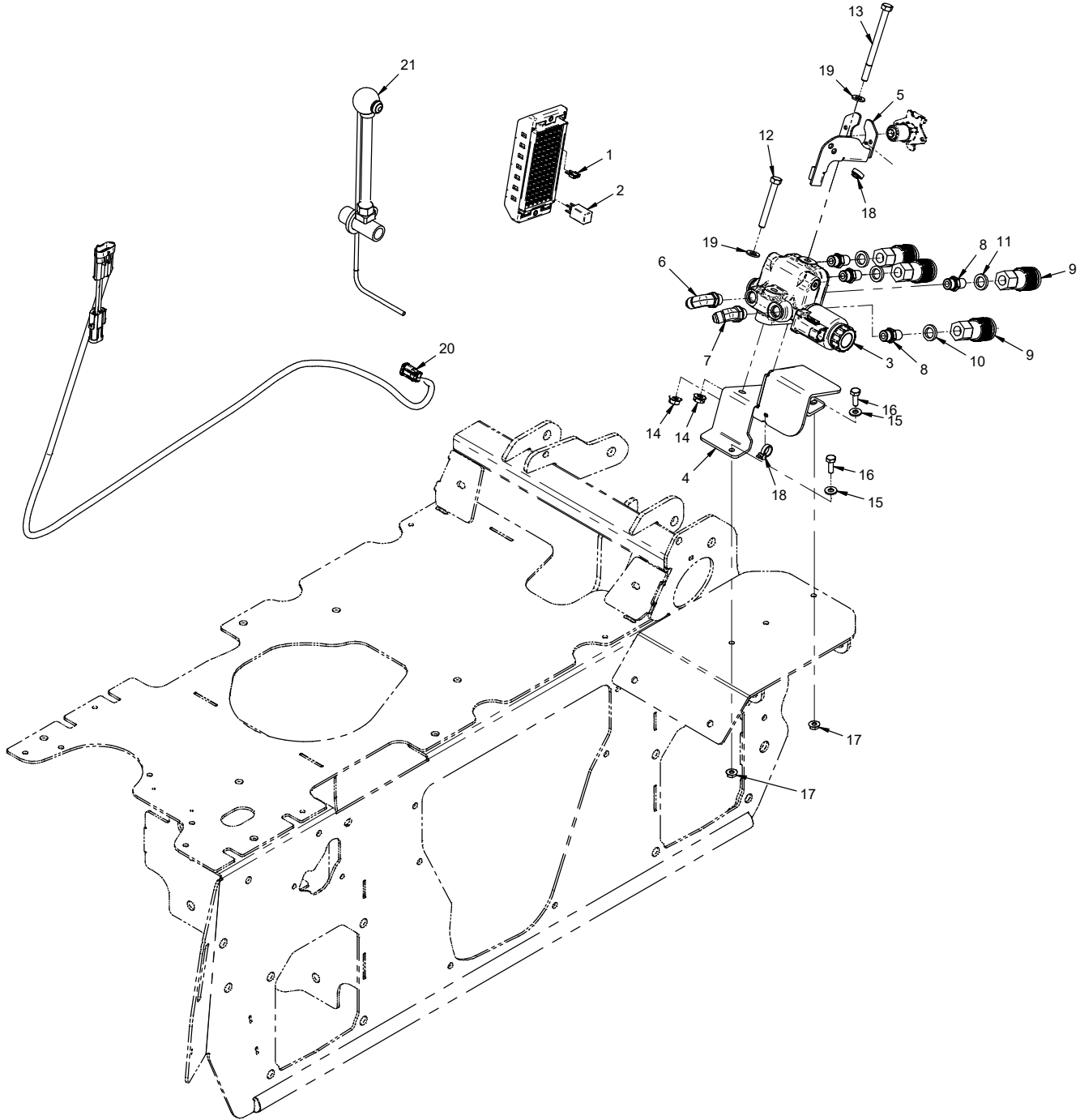
OPTIONS

70.6014 Backup Alarm Kit

REF.	PART NO.	DESCRIPTION	QTY.
1	99.SF04-3	.Nut, SRF 1/4-20 USS Stainless	4
2	95.04-3	.Washer, Flat 1/4 SAE SS	4
3	90.0404-3	.Bolt, 1/4-20 USS x 1/2 SS	4
4	30.0037	.Tyton Tie, #50 .18 x 8 Black	6
5	30.0333	.Fuse, 10 Amp Mini Red	1
6	31.0059	.Switch, Micro W/3 Pos Connector	2
7	NT-1109	.Plate, Mount Microswitch	2
8	99.K0133	.Machine Screw, #8-32 X 5/8	2
9	99.E0104	.Nut, Jam #8-32 Nylon Lock	2
10	30.0137	.Clamp, Loom 5/8 Rosebud Mount	1
11	35.0125	.Alarm, Audible Pulse Panel Mt	1
12	NT-6122	.Mount, Backup Alarm Switch	1
13	32.0201	.Harness, Wire NT Backup Alarm	1

TITLE

ILLUSTRATED DRAWING 70.6008 Dual Front Hydraulic Auxiliary



TITLE

70.6008 Dual Front Hydraulic Auxiliary

REF.	PART NO.	DESCRIPTION	QTY.
1	30.0333	.Fuse, 10 Amp Mini Red	1
2	35.0158	.Relay, 12V 20 Amp 280 Ultra Micro	1
3	23.0196	.Valve, Diverter	1
4	NT-1203	.Bracket, Dual Valve Hydac	1
5	NT-1204	.Bracket, 12v With Dual Aux	1
6	25.6801-06-06	.Fitting, 90 ME 3/8 x 3/8	1
7	25.6802-06-06	.Fitting, 45 ME 3/8 x 3/8	1
8	25.6401-06-04	.Fitting, M Adpt 3/8 x 1/4	2
9	23.0177	.Coupler, Female Flat Face Quick 1/4	2
10	05.0156	.Washer, .544 ID x .817 x .14 Nat	1
11	05.0157	.Washer, .544 ID x .817 x .14 Blk	1
12	90.0520-23	.Bolt, 5/16-18 USS x 2-1/2" SS Full	1
13	90.0532	.Bolt, Hex 5/16-18 UNC x 4"	1
14	99.SF05-3	.Nut, SRF 5/16-18 USS Stainless	2
15	95.04-3	.Washer, Flat 1/4 SAE SS	2
16	90.0406-3	.Bolt, 1/4-20 USS x 3/4 SS	2
17	99.SF04-3	.Nut, SRF 1/4-20 USS Stainless	2
18	30.0037	.Tyton Tie, #50 .18 x 8 Black	8
19	95.05-3	.Washer, Flat 5/16 SAE SS	2
20	32.0218	.Harness, Wire Dual Hydraulic	1
21	47.0336	.Handle, Grip w/Switch	1