

# NV360

V-Blade





500 Venture Drive  
Orrville Oh 44667  
www.ventrac.com

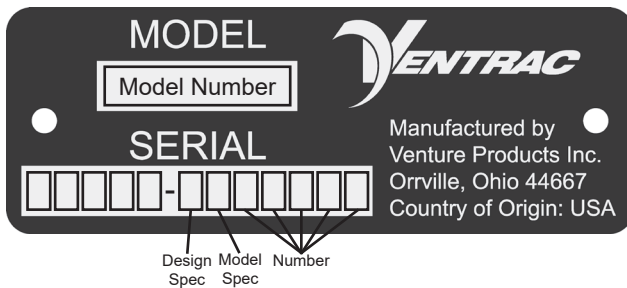
View all manuals



Visit [ventrac.com/manuals](http://ventrac.com/manuals) for the latest version of this parts manual.

A downloadable operator's manual is also available.

### Serial Number Description



Serial Plate Location



### Notes

- If any component requires replacement, use only original Ventrac replacement parts.
- When ordering new components, be sure to order all required safety decals. All current safety decals must be affixed to the replacement components prior to installation of the component.

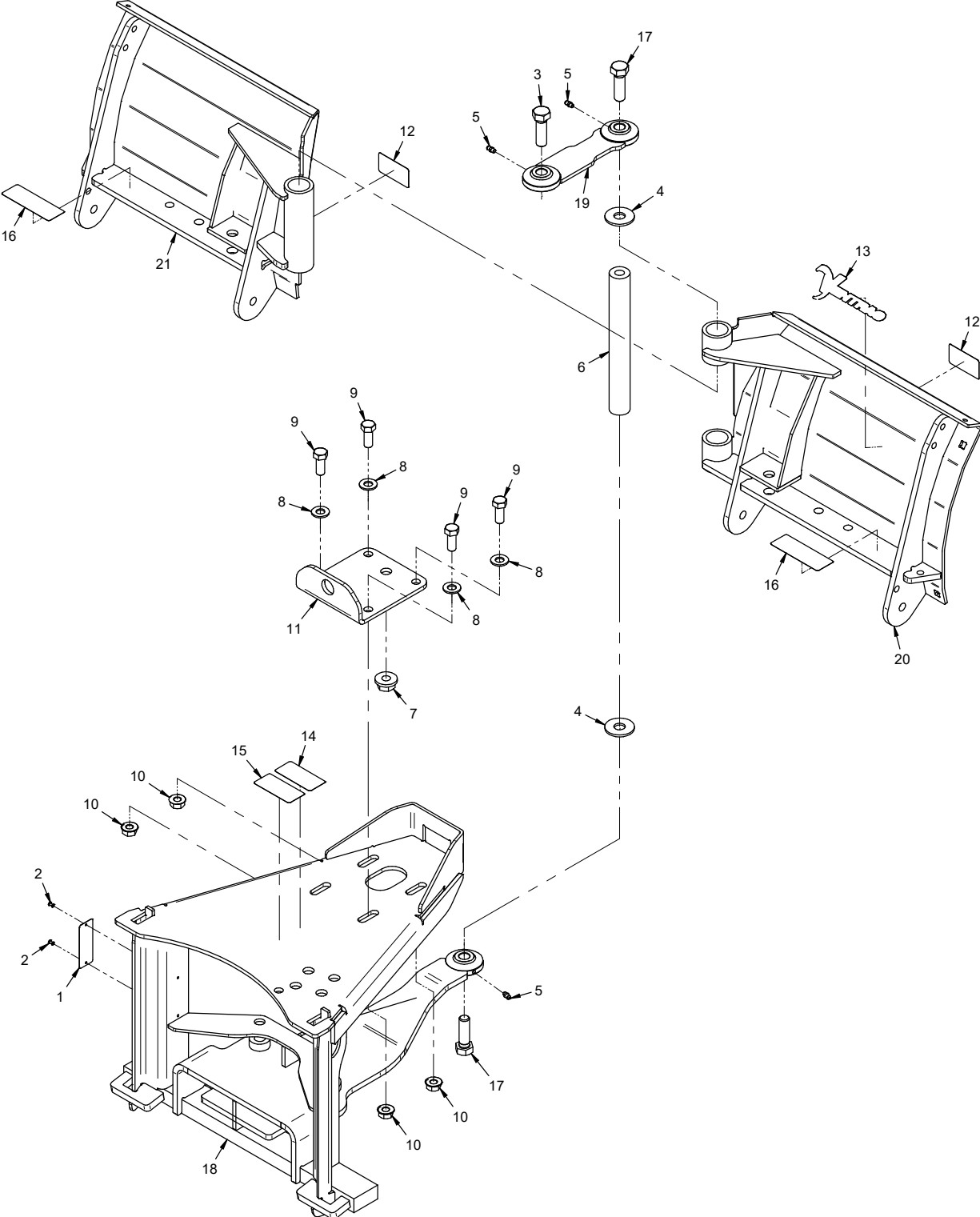
# TABLE OF CONTENTS

---

<b>PARTS</b>	<b>PAGE 4</b>
Main Frame, Blade Wings, and Blade Pivot.....	4
Blade Trip Pivot.....	6
Blade Trip Slide and Lower Blade Frames.....	8
Cutting Edges and Skid Shoes .....	10
Hydraulic Blade Angle .....	12
<b>OPTIONS</b>	<b>PAGE 14</b>
70.8220 Polyurethane Edge Kit .....	14
Upper Blade Wing Extensions - 70.8227 and 70.8228 .....	16
70.8227 Steel Cutting Edge and Extension Frame .....	18
70.8228 Polyurethane Cutting Edge and Extension Frame .....	20

# PARTS

## ILLUSTRATED DRAWING Main Frame, Blade Wings, and Blade Pivot



# PARTS

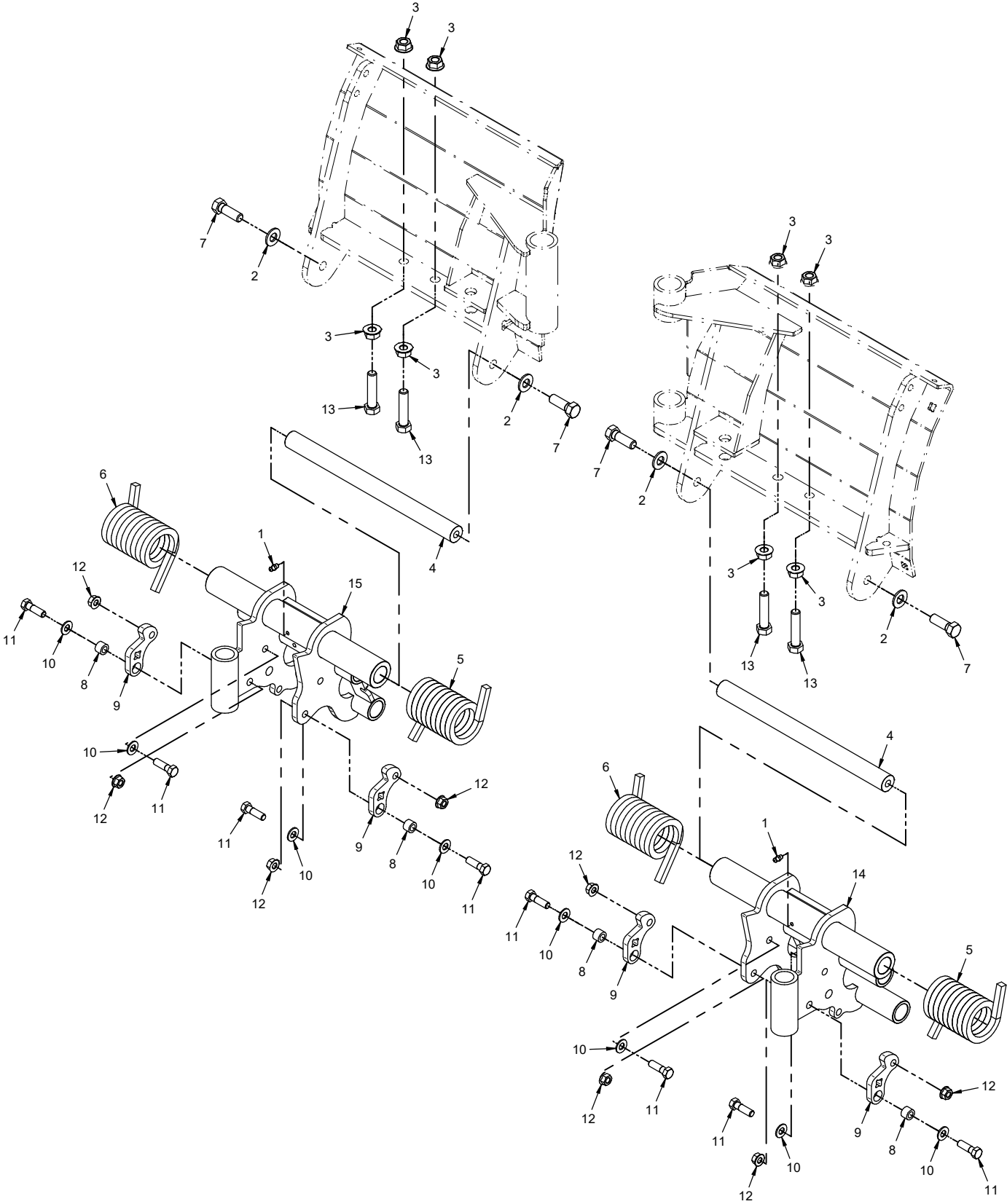
## Main Frame, Blade Wings, and Blade Pivot

REF.	PART NO.	DESCRIPTION	QTY.
1	N/A	.Plate, Ventrac Serial Number	1
2	04.0029	.Rivet, Pop 1/8" X 1/4" SS	2
3	90.1016	.Bolt, 5/8-11 USS x 2	1
4	94.10	.Washer, Flat 5/8 USS	2
5	29.GF0001	.Grease Ftg, 1/4 SAE ST	3
6	NV-1054	.Shaft, Center Pivot	1
7	99.E0094	.Locknut, 5/8-11 Flanged Stover	1
8	95.08	.Washer, Flat 1/2 SAE	4
9	90.0810	.Bolt, 1/2-13 USS x 1-1/4	4
10	99.SF08	.Nut, SRF 1/2-13 USS	4
11	NV-1082	.Plate, Pivot Link Mount	1
12	00.0364	.Decal, Warning Pinch Point	2
13	00.0382	.Decal, Ventrac	1
14	00.0619	.Decal, Read Operator's Manual	1
15	00.0621	.Decal, High Pressure Fluid Hazard	1
16	00.0620	.Decal, Pinching or Crushing Hazard	2
17	91.1016	.Bolt, Hex 5/8-18 UNF x 2	2
18	NV-6005	.Frame, Main Hitch	1
19	ND-6004	.Link, Upper Pivot	1
20	NV-6007	.Frame, Right Wing	1
21	NV-6016	.Frame, Left Wing	1

# PARTS

## ILLUSTRATED DRAWING

### Blade Trip Pivot



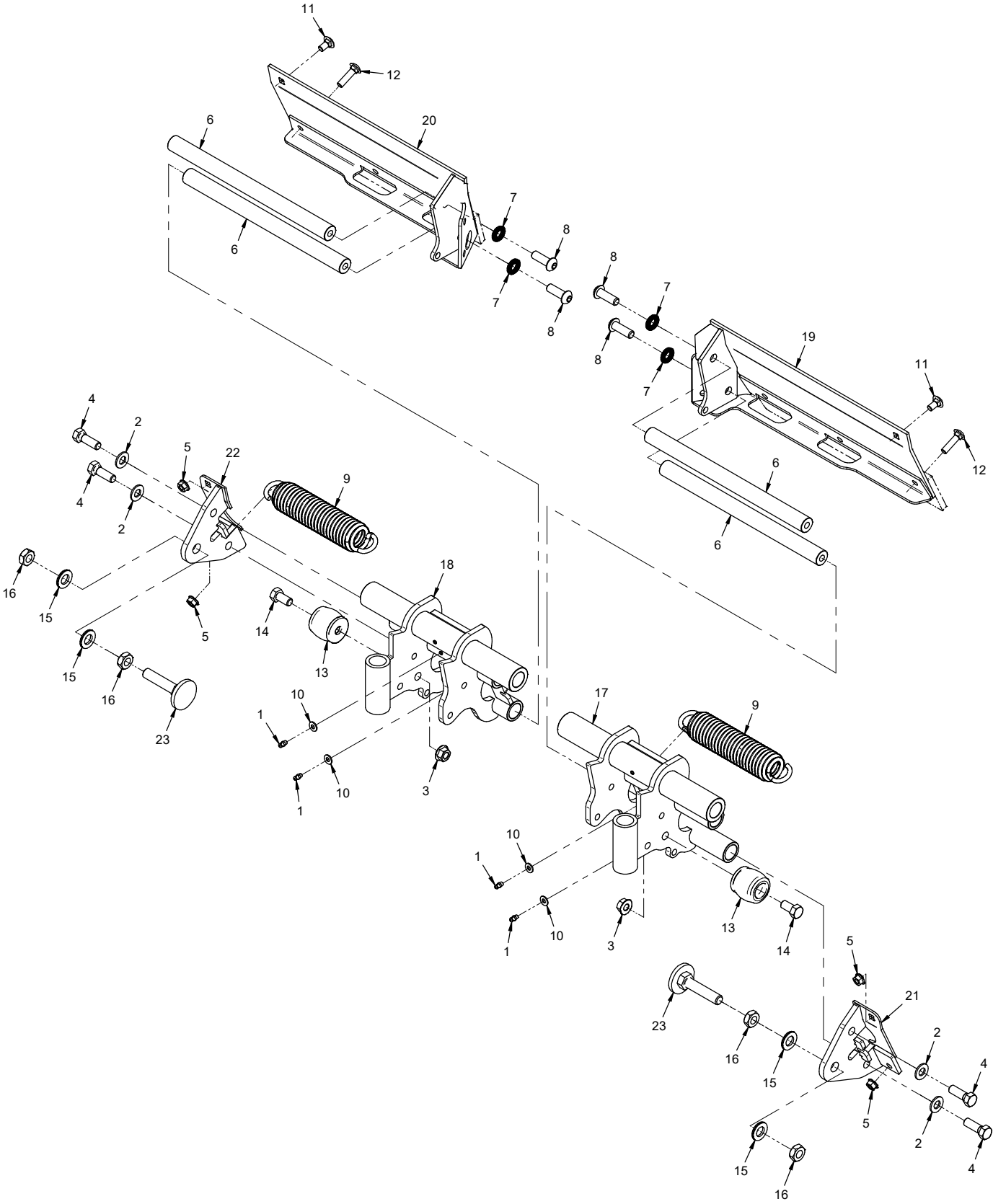
# PARTS

## Blade Trip Pivot

REF.	PART NO.	DESCRIPTION	QTY.
1	29.GF0001	Grease Ftg, 1/4 SAE ST	2
2	95.08	Washer, Flat 1/2 SAE	4
3	99.SF08	Nut, SRF 1/2-13 USS	8
4	NV-1056	Shaft, Blade Trip Pivot	2
5	41.0135	Spring, Torsion RH NV	2
6	41.0136	Spring, Torsion LH NV	2
7	90.0812	Bolt, 1/2-13 USS x 1-1/2	4
8	NV-1101	Bushing, Spring Tension Pivot	4
9	NV-1100	Lever, Spring Tension	4
10	95.06	Washer, Flat 3/8 SAE	8
11	90.0610	Bolt, 3/8-16 USS x 1-1/4	8
12	99.SF06	Nut, SRF 3/8-16 USS	8
13	90.0818-2	Bolt, 1/2-13 USS x 2-1/4 Tap	4
14	NV-6011	Frame, Blade Trip Right	1
15	NV-6018	Frame, Blade Trip Left	1

# PARTS

## ILLUSTRATED DRAWING Blade Trip Slide and Lower Blade Frames





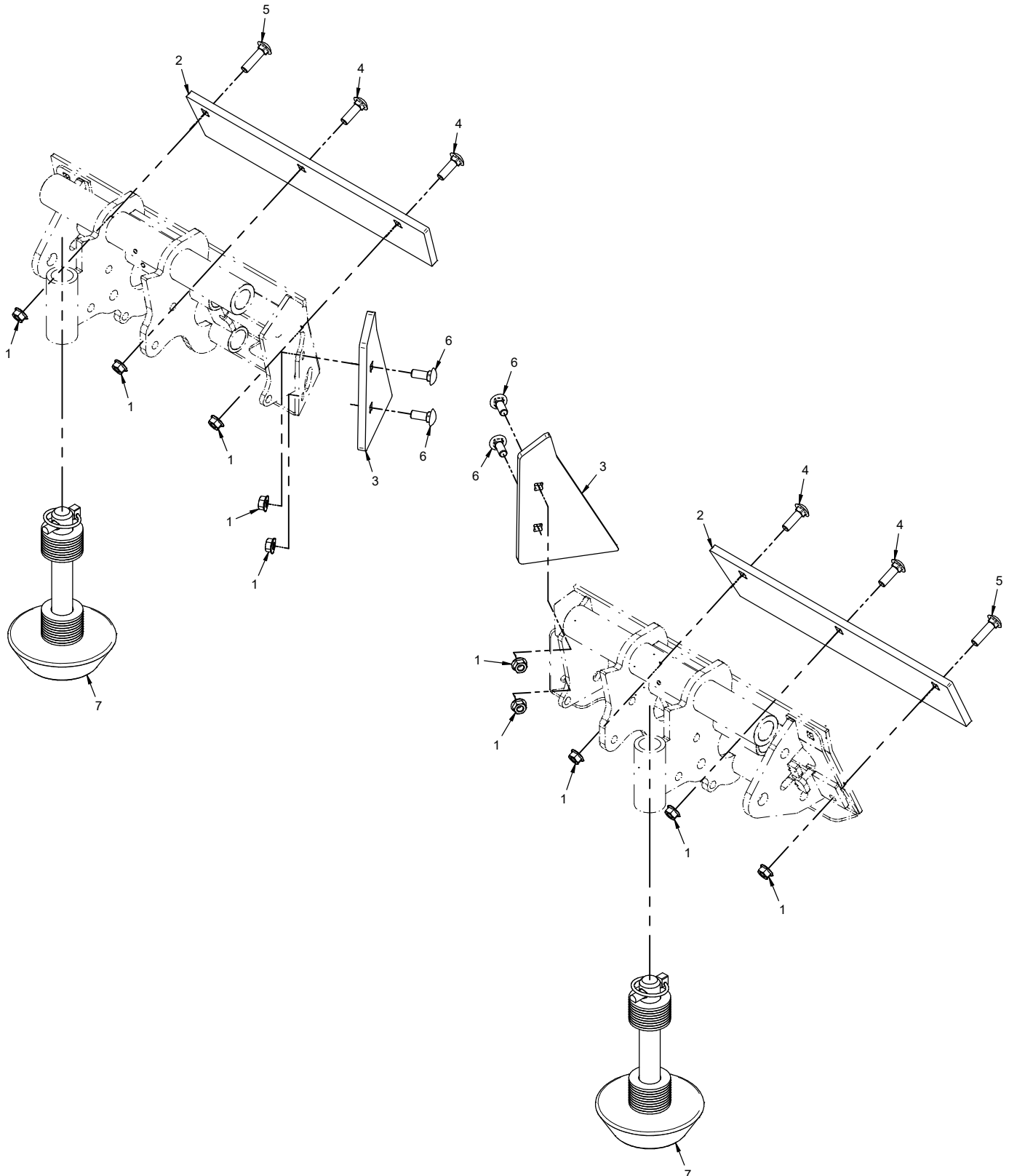
# PARTS

## Blade Trip Slide and Lower Blade Frames

REF.	PART NO.	DESCRIPTION	QTY.
1	29.GF0001	.Grease Ftg, 1/4 SAE ST.	4
2	95.08	.Washer, Flat 1/2 SAE	4
3	99.SF08	.Nut, SRF 1/2-13 USS	2
4	90.0812	.Bolt, 1/2-13 USS x 1-1/2	4
5	99.SF06	.Nut, SRF 3/8-16 USS	4
6	NV-1067	.Shaft, Blade Slide	4
7	96.08-2	.Washer, Nordlock 1/2"	4
8	99.0812	.Bolt, 1/2-13 x 1-1/2 BSCS	4
9	41.0137	.Spring, Ext. 1.895 OD x 8.75" L	2
10	95.04-3	.Washer, Flat 1/4 SAE SS	4
11	97.0606	.Bolt, Carriage 3/8-16 x 3/4	2
12	97.0612	.Bolt, Carriage 3/8-16 x 1 1/2	2
13	05.0189	.Bumper, Axial 3,200 Lbs PF	2
14	90.0808	.Bolt, 1/2-13 USS x 1	2
15	96.10-2	.Washer, Nordlock 5/8"	4
16	99.E0076	.Nut, Jam 5/8-11 USS	4
17	NV-6011	.Frame, Blade Trip Right	1
18	NV-6018	.Frame, Blade Trip Left	1
19	NV-6006	.Frame, Blade Right	1
20	NV-6017	.Frame, Blade Left	1
21	NV-6012	.Frame, Spring Anchor Right	1
22	NV-6019	.Frame, Spring Anchor Left	1
23	NV-6013	.Anchor, Blade Bumper Stop	2

# PARTS

## ILLUSTRATED DRAWING Cutting Edges and Skid Shoes



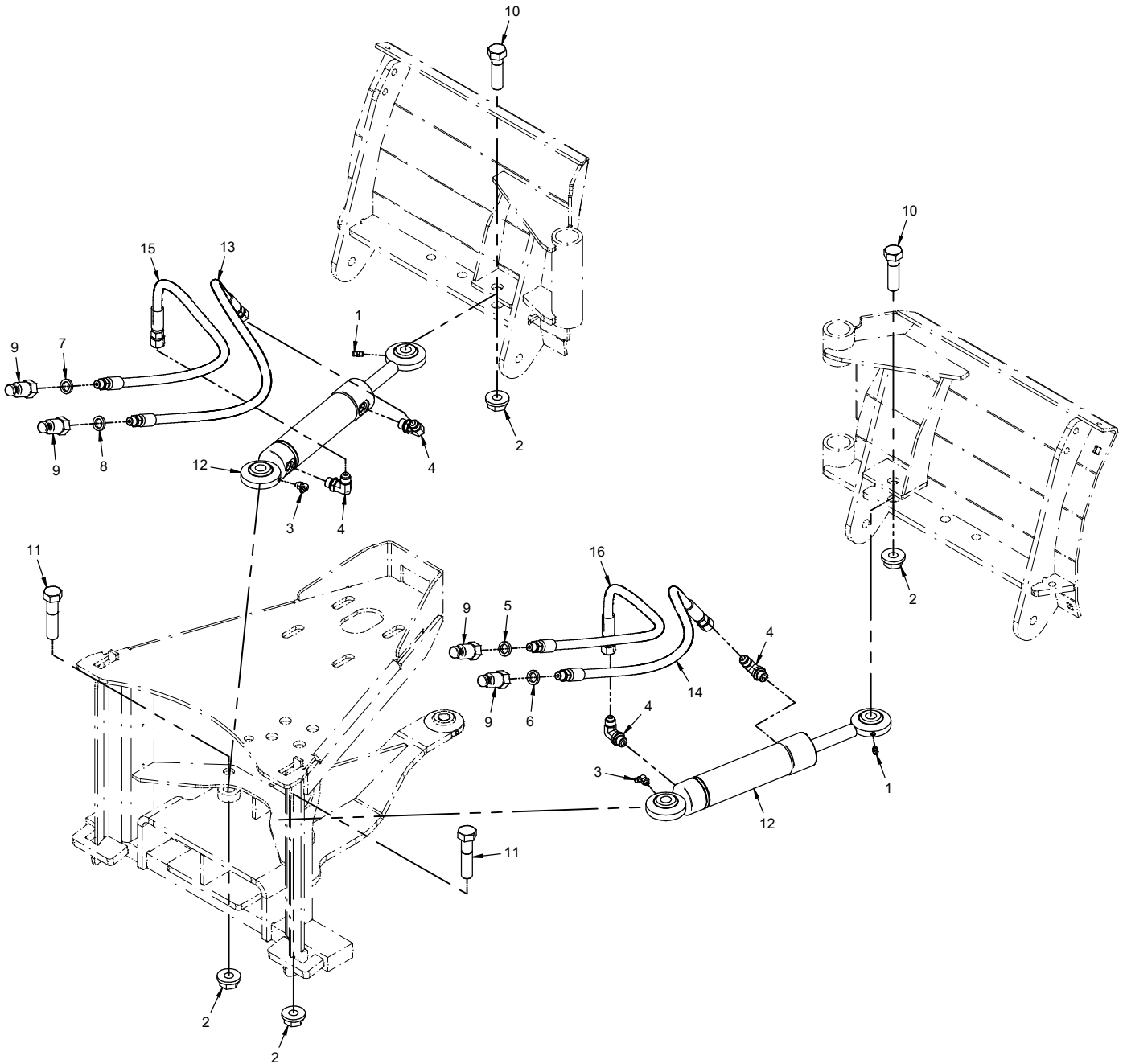
# PARTS

## Cutting Edges and Skid Shoes

REF.	PART NO.	DESCRIPTION	QTY.
1	99.SF06	Nut, SRF 3/8-16 USS	10
2	NV-1023	Cutting Edge, NV360	2
3	NV-1031	Cutting Edge, Inner	2
4	97.0610	Bolt, Carriage 3/8-16 x 1-1/4	4
5	97.0612	Bolt, Carriage 3/8-16 x 1 1/2	2
6	97.0608	Bolt, Carriage 3/8-16 x 1	4
7	79.0122	Shoe, Skid Round Asm.	2

# PARTS

## ILLUSTRATED DRAWING Hydraulic Blade Angle



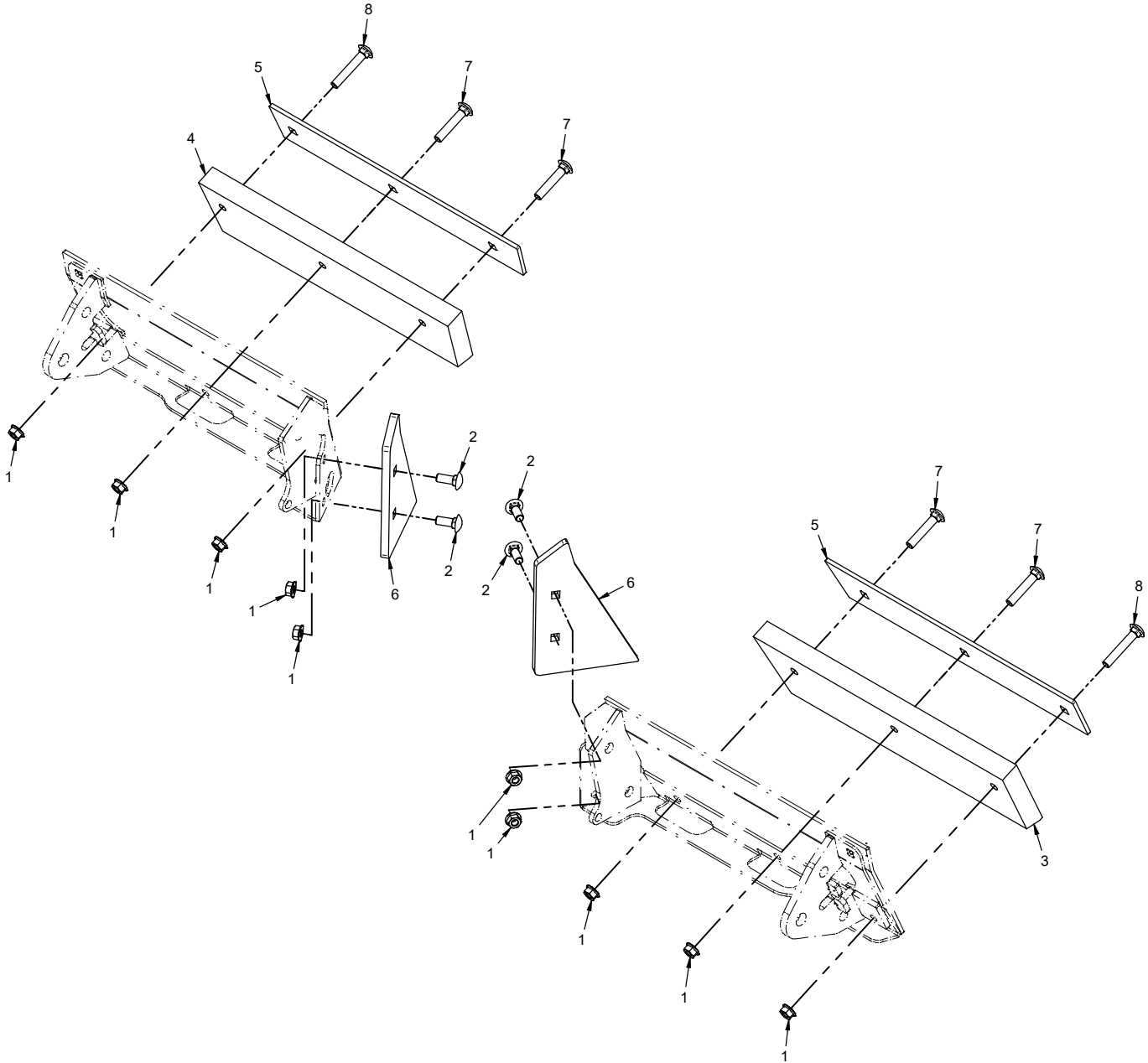
# PARTS

## Hydraulic Blade Angle

REF.	PART NO.	DESCRIPTION	QTY.
1	29.GF0001	Grease Ftg, 1/4 SAE ST	2
2	99.E0094	Locknut, 5/8-11 Flanged Stover	4
3	29.GF0002	Grease Ftg, 1/4 SAE 90	2
4	25.6801-06-06	Fitting, 90 ME 3/8 x 3/8	4
5	05.0116	Washer, .544 ID x .817 x .14 Red	1
6	05.0117	Washer, .544 ID x .817 x .14 Yel	1
7	05.0157	Washer, .544 ID x .817 x 14 Bk	1
8	05.0156	Washer, .544 ID x .817 x 14 Nat	1
9	23.0176	Coupler, Male Flat Face Quick 1/4	4
10	90.1018	Bolt, 5/8-11 USS x 2-1/4	2
11	90.1022	Bolt, 5/8-11 USS x 2-3/4	2
12	23.0130	Cylinder, 1-1/2" X 5"	2
13	20.0347	Hose, 1/4x35.00 SAE 100R17AR	1
14	20.0347	Hose, 1/4x35.00 SAE 100R17AR	1
15	20.0346	Hose, 1/4x30.00 SAE 100R17AR	1
16	20.0346	Hose, 1/4x30.00 SAE 100R17AR	1

# OPTIONS

## ILLUSTRATED DRAWING 70.8220 Polyurethane Edge Kit



# OPTIONS

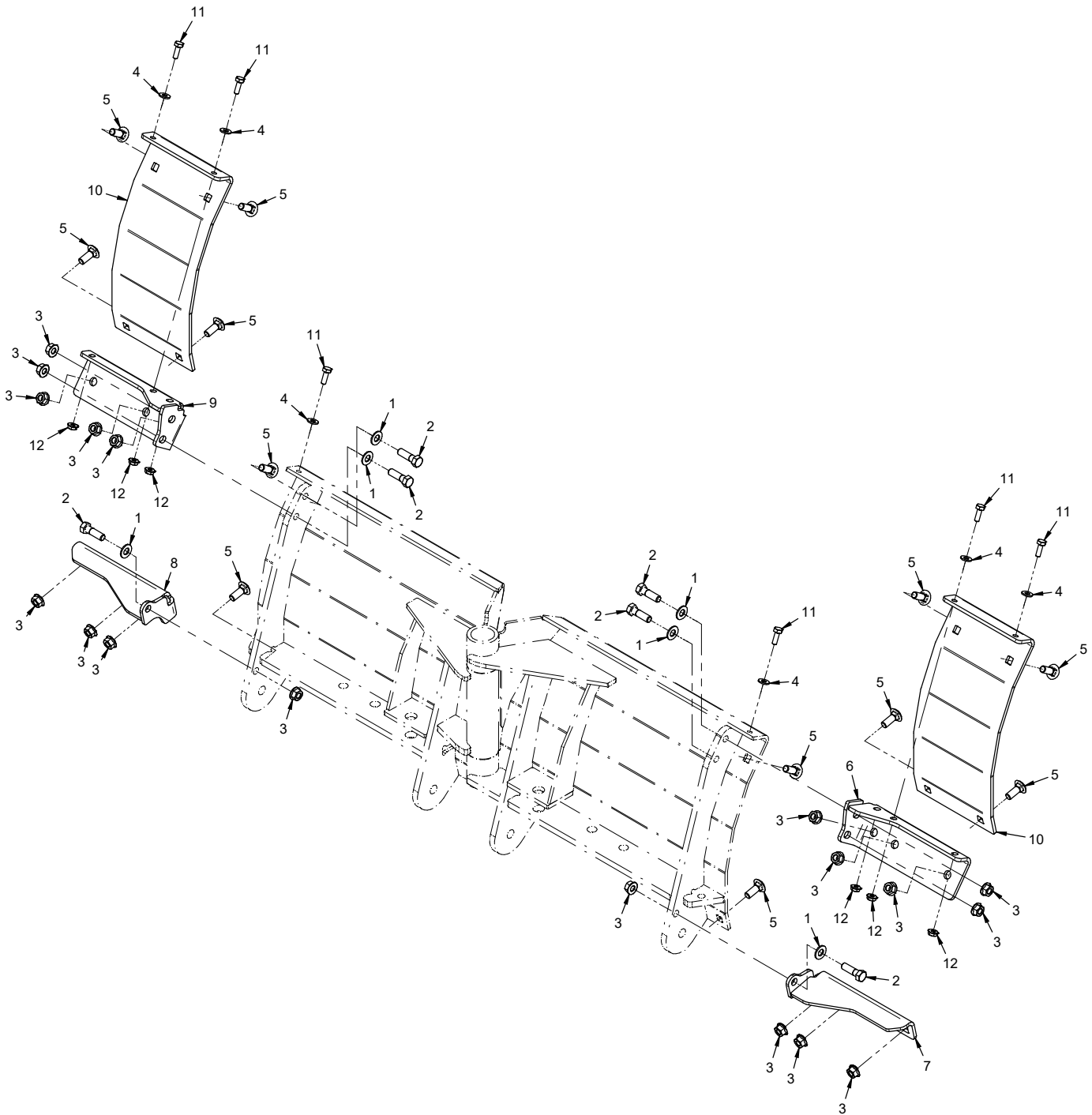
## 70.8220 Polyurethane Edge Kit

REF.	PART NO.	DESCRIPTION	QTY.
1	99.SF06	Nut, SRF 3/8-16 USS	10
2	97.0608	Bolt, Carriage 3/8-16 x 1	4
3	NV-1120	Cutting Edge, Poly Right	1
4	NV-1121	Cutting Edge, Poly Left	1
5	NV-1122	Clamp, Poly Backer	2
6	NV-1124	Cutting Edge, UHMW Inner	2
7	97.0616	Bolt, Carriage 3/8-16 x 2	4
8	97.0618	Bolt, Carriage 3/8-16 x 2-1/4	2

# OPTIONS

## ILLUSTRATED DRAWING

### Upper Blade Wing Extensions - 70.8227 and 70.8228





# OPTIONS

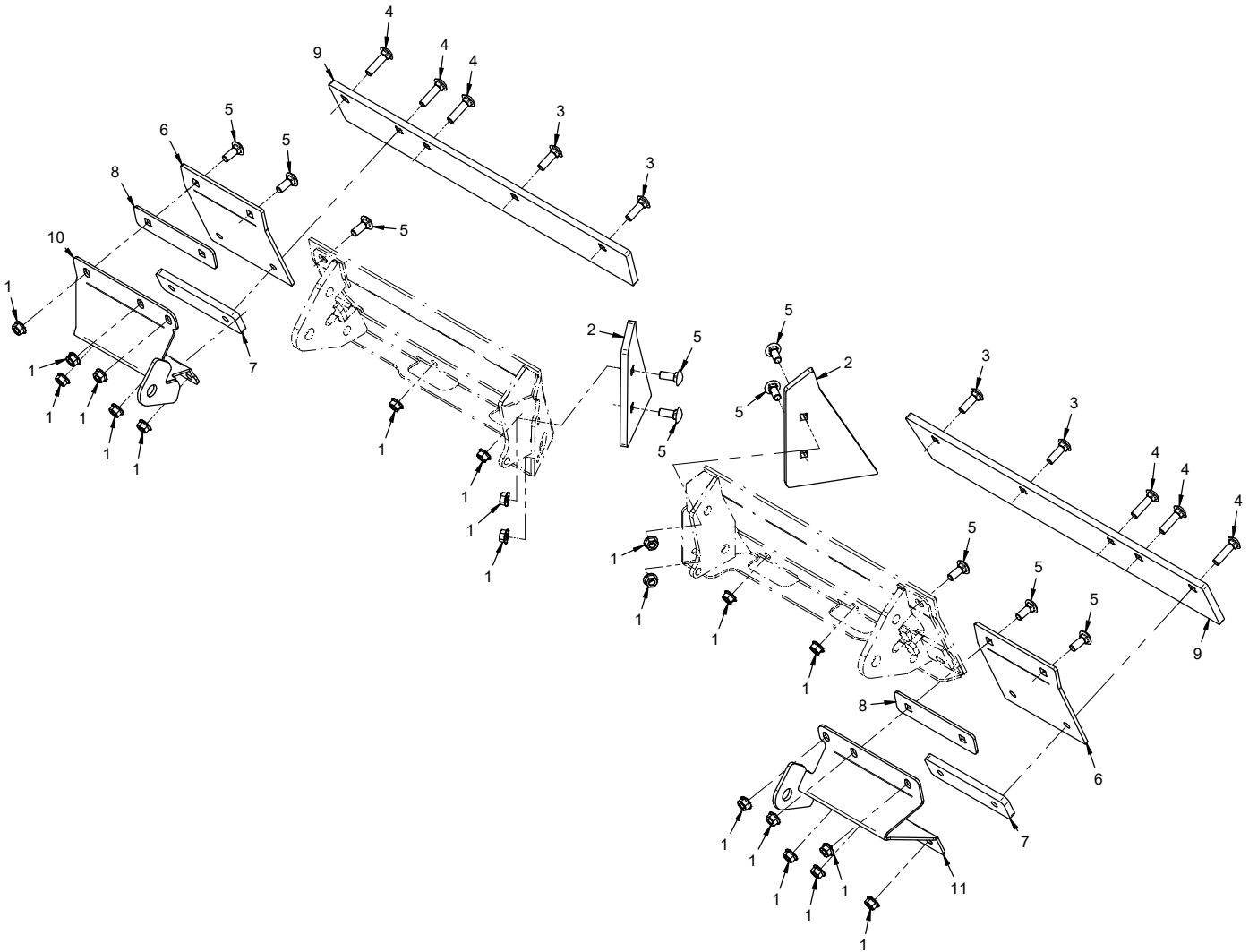
## Upper Blade Wing Extensions - 70.8227 and 70.8228

REF.	PART NO.	DESCRIPTION	QTY.
1	95.06	.Washer, Flat 3/8 SAE	6
2	90.0610	.Bolt, 3/8-16 USS x 1-1/4	6
3	99.SF06	.Nut, SRF 3/8-16 USS	18
4	95.04-3	.Washer, Flat 1/4 SAE SS	6
5	97.0608	.Bolt, Carriage 3/8-16 x 1	12
6	NV-1092	.Mount, Wing Ext Upper Right	1
7	NV-1093	.Mount, Wing Ext Lower Right	1
8	NV-1105	.Mount, Wing Ext Lower Left	1
9	NV-1106	.Mount, Wing Ext Upper Left	1
10	NV-1090	.Plate, Wing Extension	2
11	90.0406-3	.Bolt, 1/4-20 USS x 3/4 SS	6
12	99.SF04-3	.Nut, SRF 1/4-20 USS Stainless	6

# OPTIONS

## ILLUSTRATED DRAWING

### 70.8227 Steel Cutting Edge and Extension Frame



# OPTIONS

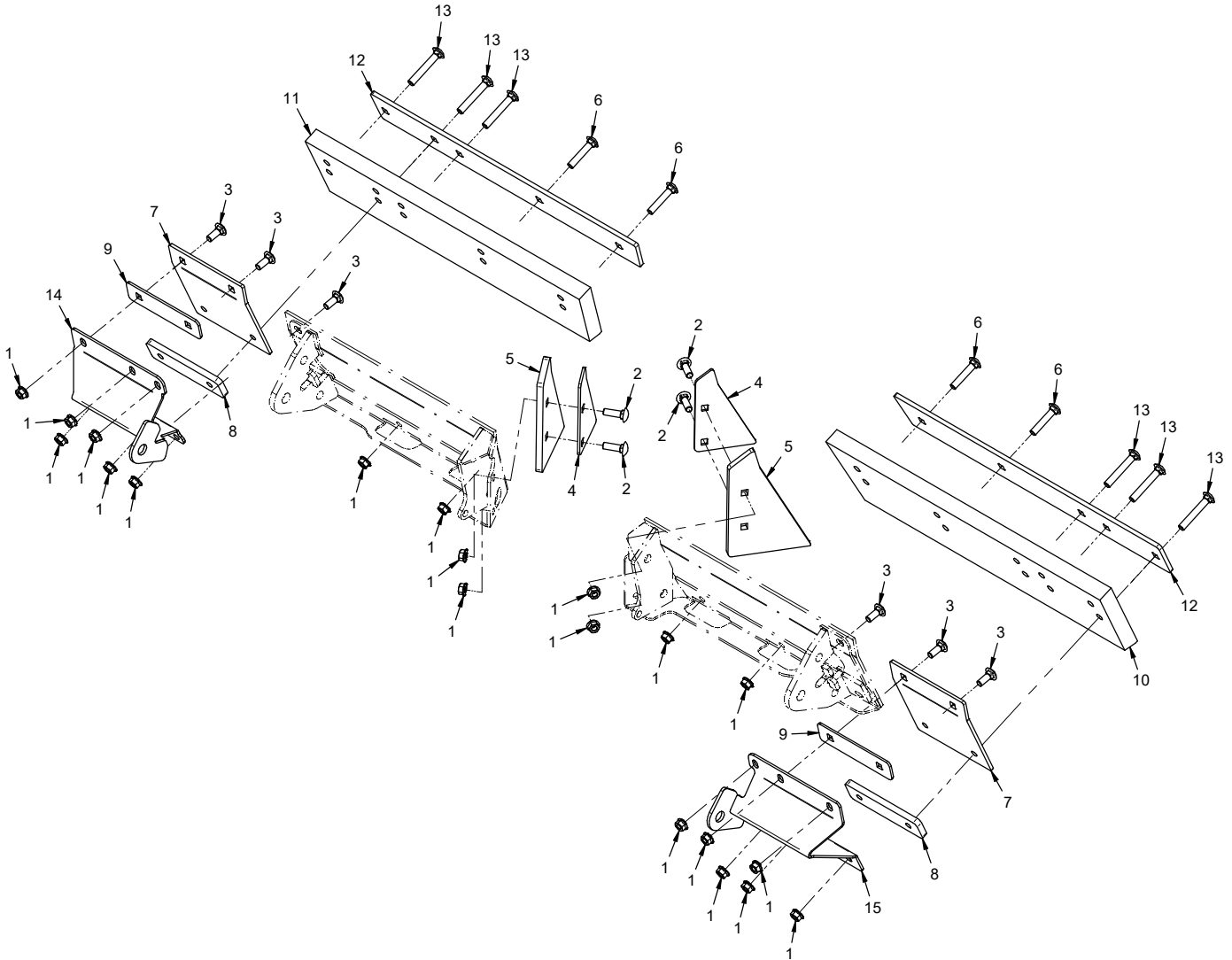
## 70.8227 Steel Cutting Edge and Extension Frame

REF.	PART NO.	DESCRIPTION	QTY.
1	99.SF06	Nut, SRF 3/8-16 USS	20
2	NV-1031	Cutting Edge, Inner	2
3	97.0610	Bolt, Carriage 3/8-16 x 1-1/4	4
4	97.0612	Bolt, Carriage 3/8-16 x 1 1/2	6
5	97.0608	Bolt, Carriage 3/8-16 x 1	10
6	NV-1091	Plate, Blade Extension	2
7	NV-1095	Spacer, Blade Extension Lower	2
8	NV-1097	Spacer, Blade Extension Upper	2
9	NV-1094	Cutting Edge, NV Extension	2
10	NV-6021	Mount, Blade Extension Left	1
11	NV-6022	Mount, Blade Extension Right	1

# OPTIONS

## ILLUSTRATED DRAWING

### 70.8228 Polyurethane Cutting Edge and Extension Frame



# OPTIONS

## 70.8228 Polyurethane Cutting Edge and Extension Frame

REF.	PART NO.	DESCRIPTION	QTY.
1	99.SF06	.Nut, SRF 3/8-16 USS	20
2	97.0610	.Bolt, Carriage 3/8-16 x 1-1/4	4
3	97.0608	.Bolt, Carriage 3/8-16 x 1	6
4	NV-1133	.Clamp, Inner Cutting Edge	2
5	NV-1124	.Cutting Edge, UHMW Inner	2
6	97.0616	.Bolt, Carriage 3/8-16 x 2	4
7	NV-1091	.Plate, Blade Extension	2
8	NV-1095	.Spacer, Blade Extension Lower	2
9	NV-1097	.Spacer, Blade Extension Upper	2
10	NV-1125	.Cutting Edge, Extension Poly Right	1
11	NV-1126	.Cutting Edge, Extension Poly Left	1
12	NV-1127	.Clamp, Extension Poly Backer	2
13	97.0620	.Bolt, Carriage 3/8-16 x 2-1/2	6
14	NV-6021	.Mount, Blade Extension Left	1
15	NV-6022	.Mount, Blade Extension Right	1