

Parts Manual

MW720

Fine Cut Flail Mower



Revised 08/22/22
09.20048 Rev. 03



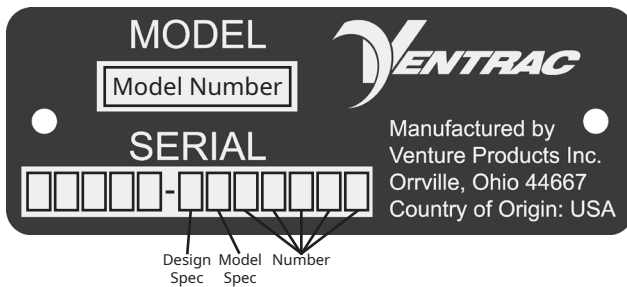
500 Venture Drive
Orrville Oh 44667
www.ventrac.com

View all manuals



Visit ventrac.com/manuals for the latest version of this parts manual. A downloadable operator's manual is also available.

Serial Number Description



Notes

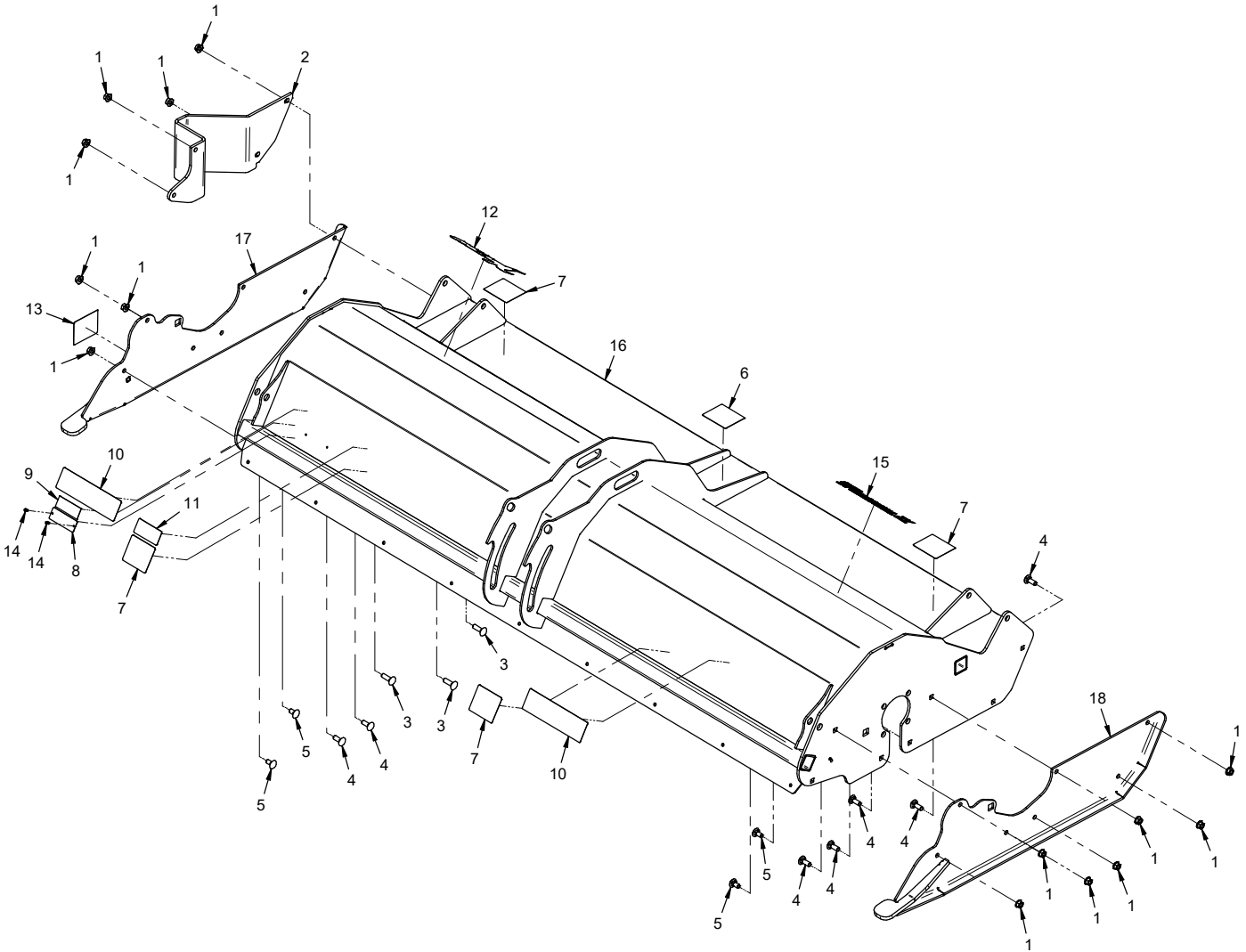
- If any component requires replacement, use only original Ventrac replacement parts.
- When ordering new components, be sure to order all required safety decals. All current safety decals must be affixed to the replacement components prior to installation of the component.

TABLE OF CONTENTS

PARTS	PAGE 4
Main Frame and End Skids	4
Front and Rear Deflector Belting	6
Carrier Frames, Wheels, and Rear Roller	8
Left Carrier Rockers and Adjustment Handle	10
Right Carrier Rockers and Adjustment Handle	12
Cross Frame and Oscillation Springs	14
Hitch Frame and Swivel Links	16
Gearbox and Drive Shaft	18
Rotor Belt Drive	20
Rotor with Scoop Knives	22
70.8224 Hydraulic Flip Up Kit	24

PARTS

ILLUSTRATED DRAWING Main Frame and End Skids



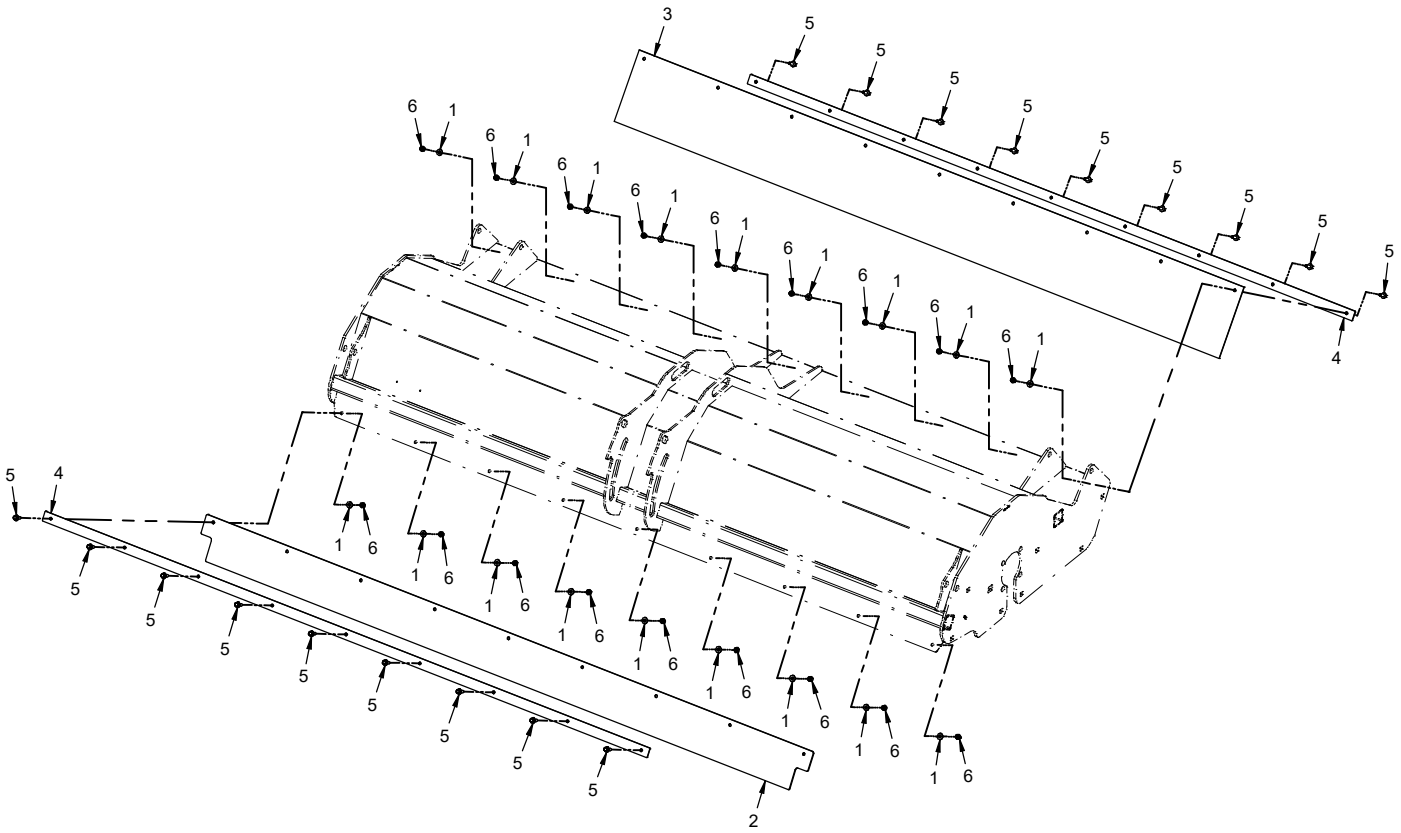
PARTS

Main Frame and End Skids

REF.	PART NO.	DESCRIPTION	QTY.
1	99.SF06	Nut, SRF 3/8-16 USS	14
2	MW-1256	Guard, Brush Deflector	1
3	97.0610	Bolt, Carriage 3/8-16 x 1-1/4	3
4	97.0608	Bolt, Carriage 3/8-16 x 1	7
5	97.0606	Bolt, Carriage 3/8-16 x 3/4	4
6	00.0627	Decal, Thrown Object Hazard	1
7	00.0624	Decal, Cutting Hazard Hands and Feet	4
8	N/A	Plate, Ventrac Serial Number	1
9	00.0100	Decal, Built in the USA	1
10	00.0650	Decal, Cut Height Position Key	2
11	00.0619	Decal, Read Operator's Manual	1
12	00.0383	Decal, Ventrac	1
13	00.0625	Decal, Shield Missing	1
14	04.0003	Rivet, Pop 1/8 X 3/8 SS	2
15	00.0658	Decal, MW720	1
16	MW-6026	Frame, Main Shroud	1
17	MW-6024	Skid, Left Side	1
18	MW-6034	Skid, Right Side	1

PARTS

ILLUSTRATED DRAWING Front and Rear Deflector Belting



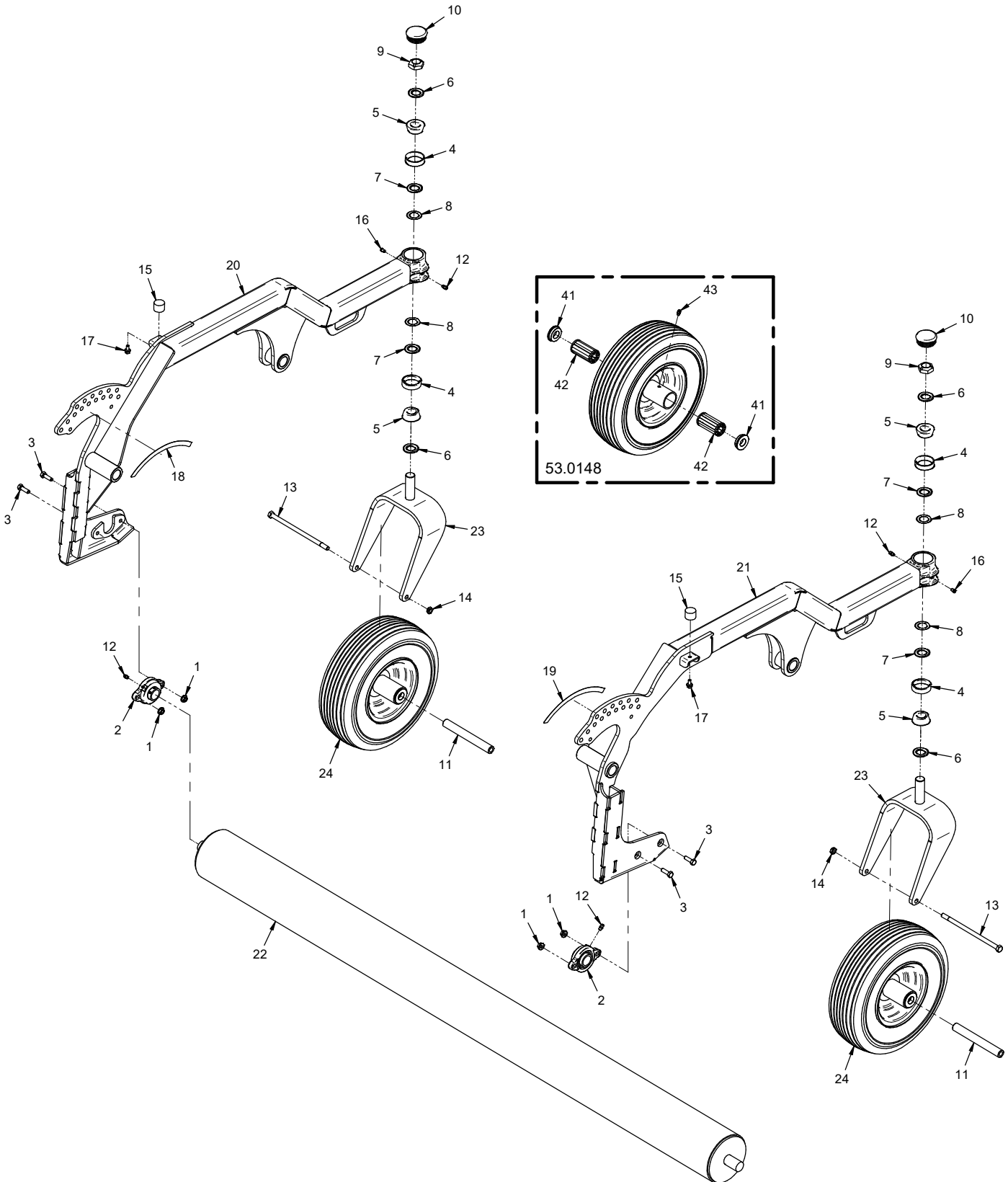
PARTS

Front and Rear Deflector Belting

REF.	PART NO.	DESCRIPTION	QTY.
1	95.04	Washer, Flat 1/4 SAE	18
2	MW-1119	Belting, Rear MW	1
3	MW-1137	Belting, Front MW	1
4	MW-1183	Clamp, Belting	2
5	99.SF0406-1	Bolt, SMF 1/4-20 X 3/4	18
6	99.A04N	Locknut, Nylon 1/4-20	18

PARTS

ILLUSTRATED DRAWING Carrier Frames, Wheels, and Rear Roller



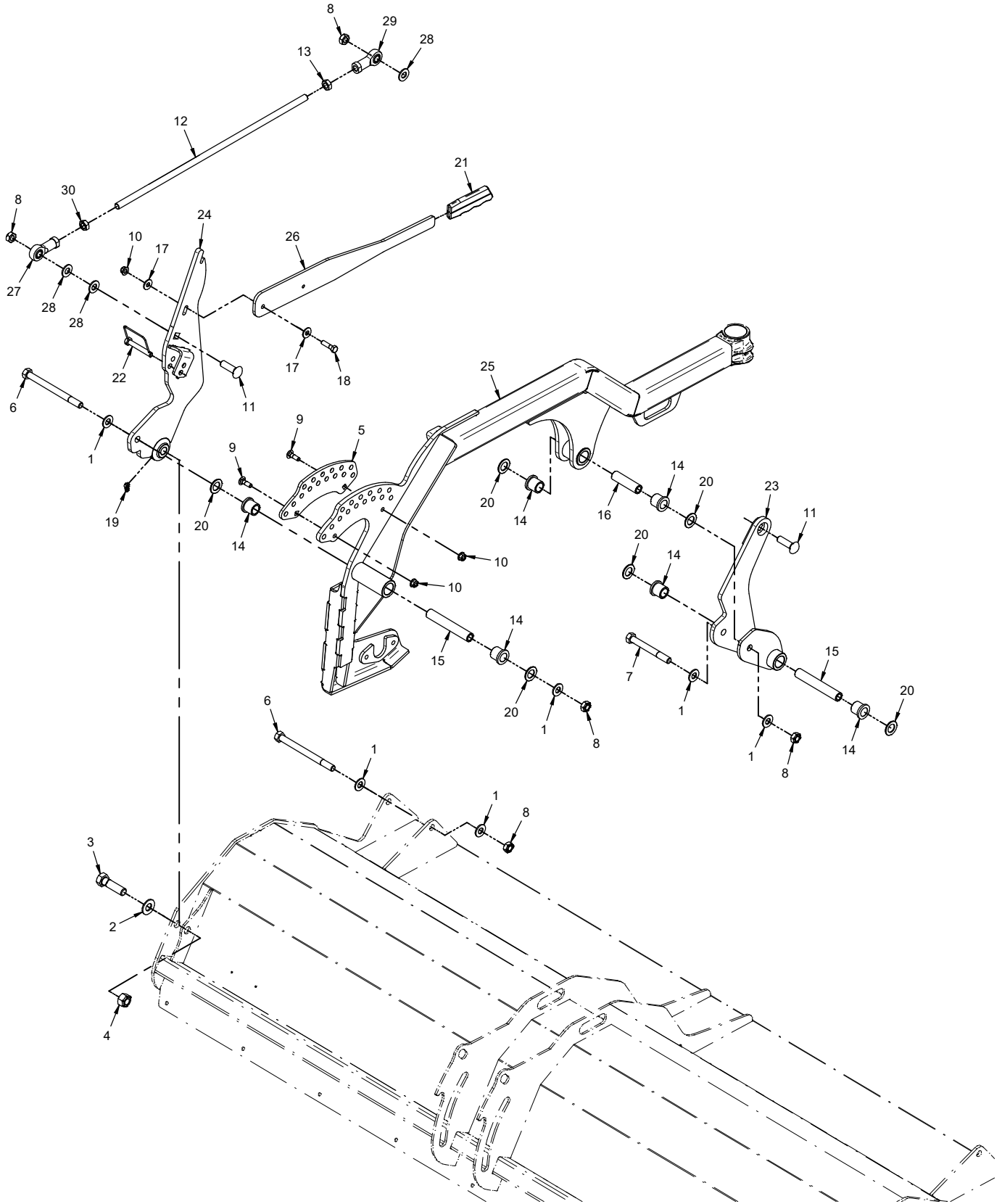
PARTS

Carrier Frames, Wheels, and Rear Roller

REF.	PART NO.	DESCRIPTION	QTY.
1	99.SF05	Nut, SRF 5/16-18 USS	4
2	55.FB16016-2	Bearing, 2 Bolt Flange 1"	2
3	90.0508	Bolt, 5/16-18 USS x 1	4
4	55.LM12710	Bearing, Cup	4
5	55.LM12749LA2	Bearing, Taper Roller Cone	4
6	99.B0119	Washer, Mach 7/8 x 1-3/8 x 10 GA	4
7	85.B0099	Bushing, .875ID x 1.375OD x .120T	4
8	85.B0101	Bushing, .005 Spacer	4
9	99.M0047	Locknut, Stover M22 X 1.5 ZP	2
10	05.0172	Plug, Ribbed Black LDPE	2
11	50.0050	Tube, Swivel Axle	2
12	29.GF0001	Grease Ftg, 1/4 SAE ST	4
13	90.0660	Bolt, 3/8-16 USS x 7-1/2	2
14	99.A06C	Locknut, Center 3/8-16	2
15	05.0125	Bumper, Neoprene 1" Dia	2
16	29.GF0011	Grease Ftg, Plug 1/4-28	2
17	99.SF0404-1	Bolt, SMF 1/4-20 X 1/2	2
18	00.0648	Decal, Height Adjust Left	1
19	00.0649	Decal, Height Adjust Right	1
20	MW-6052	Frame, Carrier Left	1
21	MW-6053	Frame, Carrier Right	1
22	MW-6028	Roller, Rear MW	1
23	50.0195	Yoke, Caster 13" Wheel	2
24	53.0148	Wheel, Asm 13x5x6 Rib Flatfree	2
41	55.0072	Bearing, Retainer 3/4"	2
42	55.0088	Bearing, Roller Replacement	2
43	29.GF0001	Grease Ftg, 1/4 SAE ST	1

PARTS

ILLUSTRATED DRAWING Left Carrier Rockers and Adjustment Handle



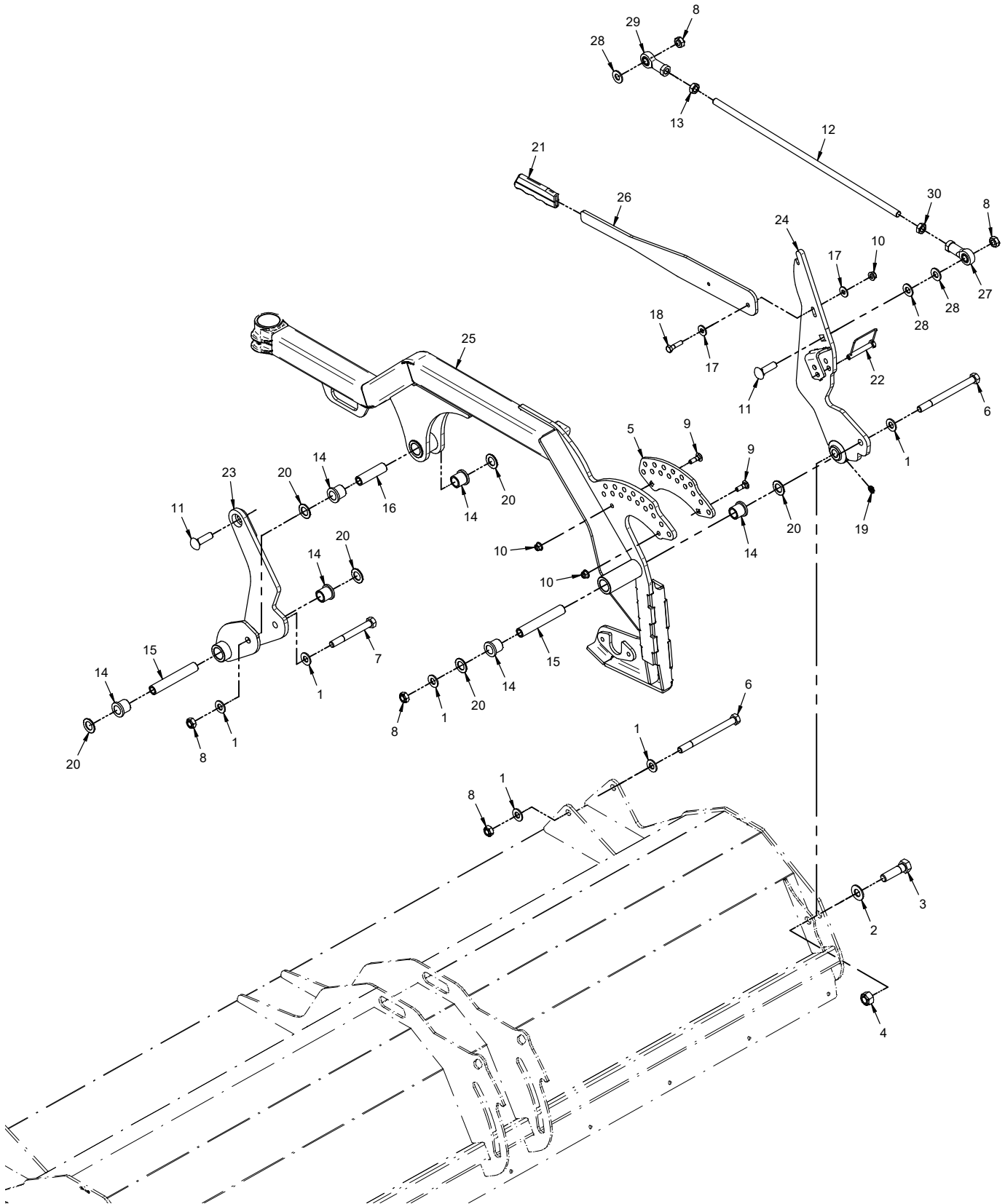
PARTS

Left Carrier Rockers and Adjustment Handle

REF.	PART NO.	DESCRIPTION	QTY.
1	95.08	.Washer, Flat 1/2 SAE	6
2	95.10	.Washer, Flat 5/8 SAE	1
3	90.1018	.Bolt, 5/8-11 USS x 2-1/4	1
4	99.A10	.Locknut, Stover 5/8-11 USS	1
5	MW-1204	.Plate, Height Adjust Setting	1
6	90.0848	.Bolt, 1/2-13 USS x 6	2
7	90.0834	.Bolt, 1/2-13 USS x 4-1/4	1
8	99.A08	.Locknut, Stover 1/2-13 USS	5
9	97.0508	.Bolt, Carriage 5/16-18 x 1	2
10	99.E0102	.Nut, Locking Flange 5/16-18	3
11	97.0814	.Bolt, Carriage 1/2-13 x 1-3/4	2
12	42.0602	.Rod, Thread 1/2-20 x 21.0 RH/LH ZP	1
13	99.E0080	.Nut, Jam 1/2-20 LH ZP	1
14	85.B0077	.Bushing, 3/4 ID X 1 OD X 1	6
15	MK-1150	.Bushing, Pivot Clamp	2
16	MK-1146	.Bushing, Rocker Pivot	1
17	94.05	.Washer, Flat 5/16 USS	2
18	90.0510	.Bolt, 5/16-18 USS x 1-1/4	1
19	29.GF0003	.Grease Ftg, 1/4 SAE 45	1
20	99.B0089	.Washer, Mach 3/4 x 1-1/4 14 GA	6
21	47.0086	.Grip, Slip-On Handle - Black	1
22	03.0003	.Pin, Safety Snap 3/8 X 2-1/2"	1
23	MW-6046	.Rocker, Carrier Front Left	1
24	MW-6045	.Rocker, Carrier Rear Left	1
25	MW-6052	.Frame, Carrier Left	1
26	MW-6068	.Lever, Height Adjust Left	1
27	43.008	.Rod End, 1/2 Spherical	1
28	95.08-8	.Washer, Flat 1/2 SAE Gr8	3
29	43.008L	.Rod End, 1/2 Spherical LH Thrd	1
30	99.E0079	.Nut, Jam 1/2-20 RH ZP	1

PARTS

ILLUSTRATED DRAWING Right Carrier Rockers and Adjustment Handle



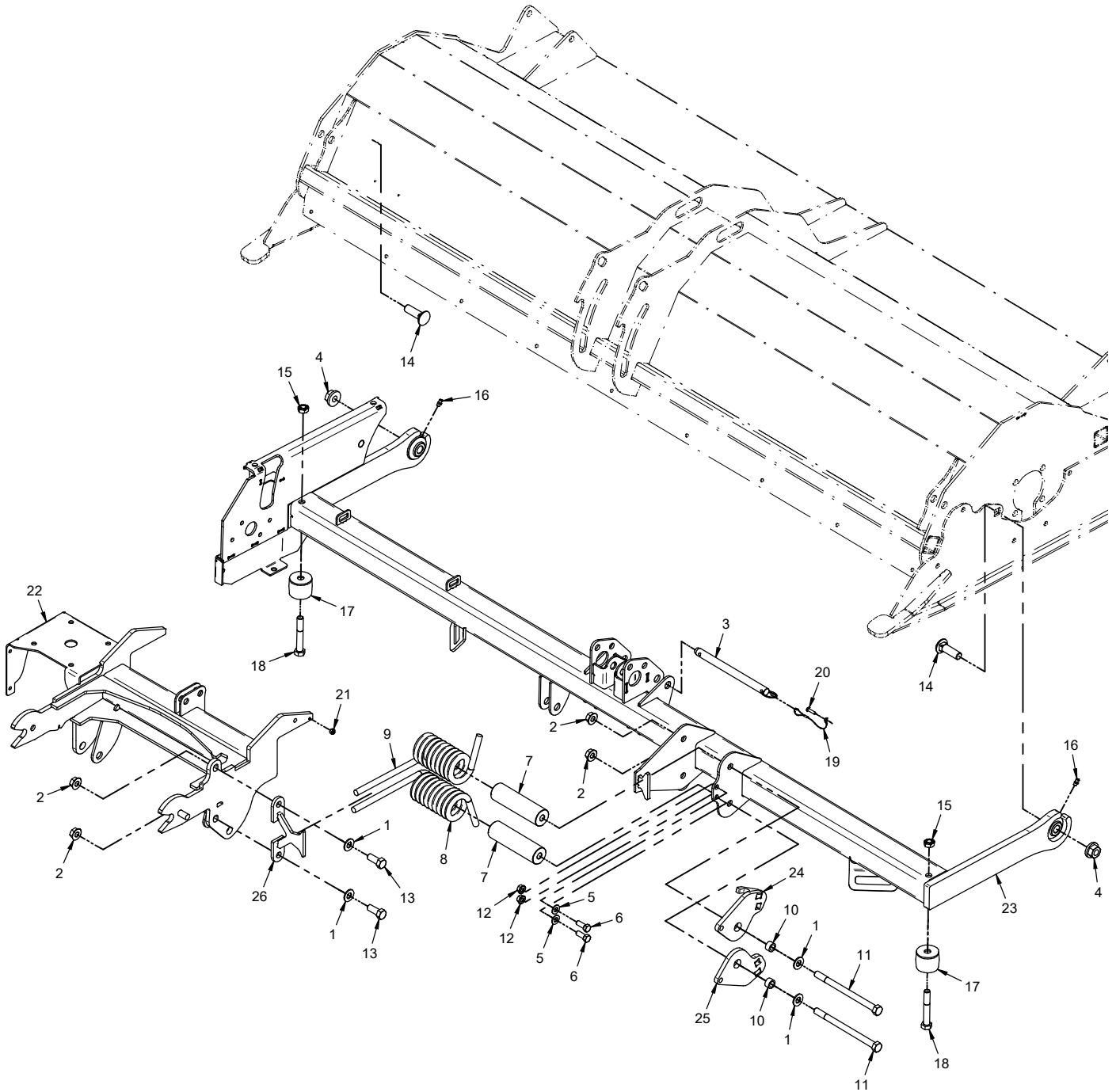
PARTS

Right Carrier Rockers and Adjustment Handle

REF.	PART NO.	DESCRIPTION	QTY.
1	95.08	.Washer, Flat 1/2 SAE	6
2	95.10	.Washer, Flat 5/8 SAE	1
3	90.1018	.Bolt, 5/8-11 USS x 2-1/4	1
4	99.A10	.Locknut, Stover 5/8-11 USS	1
5	MW-1204	.Plate, Height Adjust Setting	1
6	90.0848	.Bolt, 1/2-13 USS x 6	2
7	90.0834	.Bolt, 1/2-13 USS x 4-1/4	1
8	99.A08	.Locknut, Stover 1/2-13 USS	5
9	97.0508	.Bolt, Carriage 5/16-18 x 1	2
10	99.E0102	.Nut, Locking Flange 5/16-18	3
11	97.0814	.Bolt, Carriage 1/2-13 x 1-3/4	2
12	42.0602	.Rod, Thread 1/2-20 x 21.0 RH/LH ZP	1
13	99.E0080	.Nut, Jam 1/2-20 LH ZP	1
14	85.B0077	.Bushing, 3/4 ID X 1 OD X 1	6
15	MK-1150	.Bushing, Pivot Clamp	2
16	MK-1146	.Bushing, Rocker Pivot	1
17	94.05	.Washer, Flat 5/16 USS	2
18	90.0510	.Bolt, 5/16-18 USS x 1-1/4	1
19	29.GF0003	.Grease Ftg, 1/4 SAE 45	1
20	99.B0089	.Washer, Mach 3/4 x 1-1/4 14 GA	6
21	47.0086	.Grip, Slip-On Handle - Black	1
22	03.0003	.Pin, Safety Snap 3/8 X 2-1/2"	1
23	MW-6043	.Rocker, Carrier Front Right	1
24	MW-6044	.Rocker, Carrier Rear Right	1
25	MW-6053	.Frame, Carrier Right	1
26	MW-6067	.Lever, Height Adjust Right	1
27	43.008	.Rod End, 1/2 Spherical	1
28	95.08-8	.Washer, Flat 1/2 SAE Gr8	3
29	43.008L	.Rod End, 1/2 Spherical LH Thrd	1
30	99.E0079	.Nut, Jam 1/2-20 RH ZP	1

PARTS

ILLUSTRATED DRAWING Cross Frame and Oscillation Springs



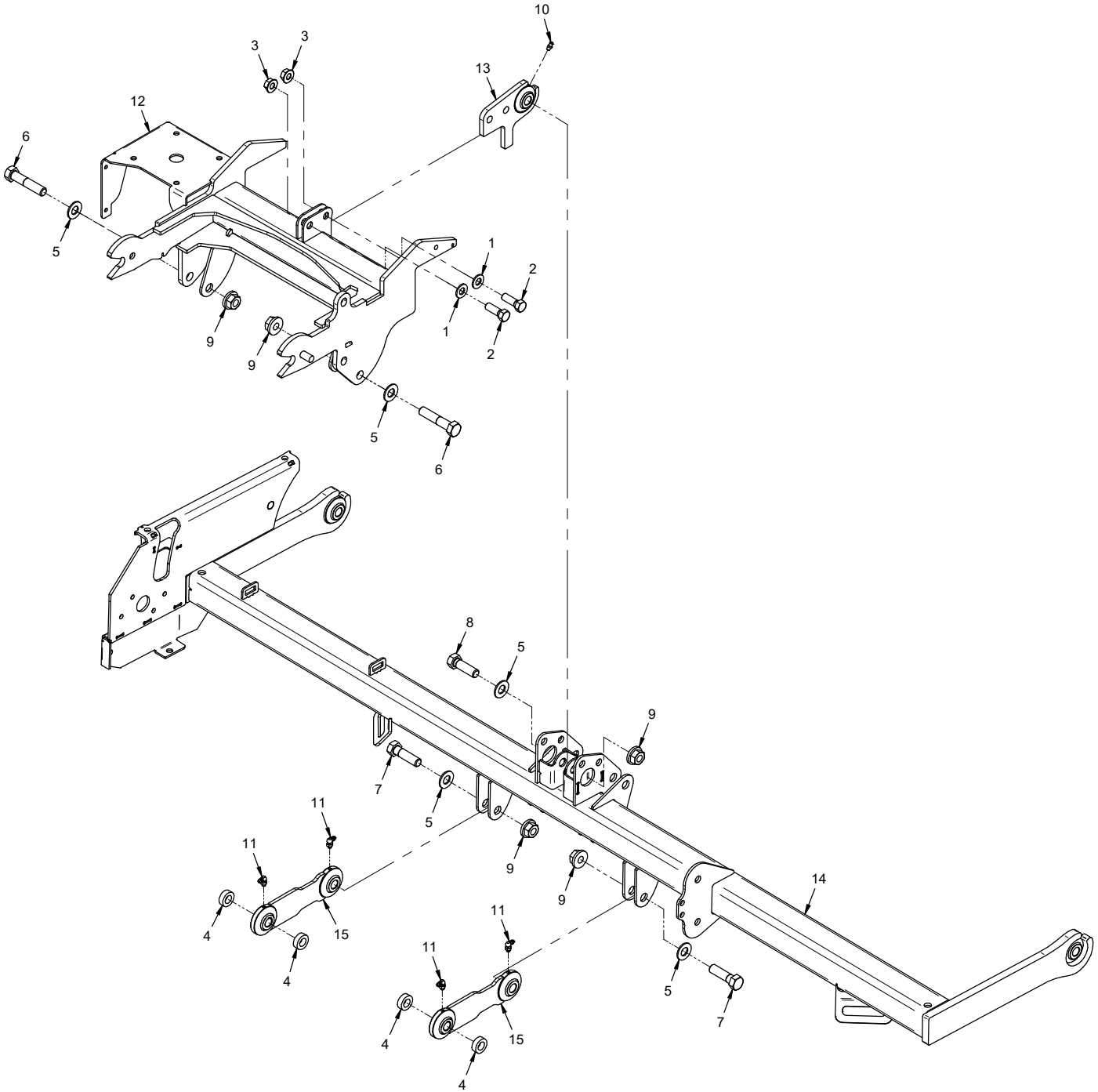
PARTS

Cross Frame and Oscillation Springs

REF.	PART NO.	DESCRIPTION	QTY.
1	95.08	Washer, Flat 1/2 SAE	4
2	99.SF08	Nut, SRF 1/2-13 USS	4
3	03.0041	Pin, Ball 5/8" OD x 7" Useable	1
4	99.E0094	Locknut, 5/8-11 Flanged Stover	2
5	95.06	Washer, Flat 3/8 SAE	2
6	90.0608	Bolt, 3/8-16 USS x 1	2
7	64.2033	Bushing, UHMW 1/2" x 1-1/2" x 5-1/4"	2
8	41.0139	Spring, Torsion LH MW	1
9	41.0140	Spring, Torsion RH MW	1
10	64.2019	Bushing, .510 X .750 X .438" L	2
11	90.0856	Bolt, 1/2-13 USS x 7	2
12	99.SF06	Nut, SRF 3/8-16 USS	2
13	90.0810	Bolt, 1/2-13 USS x 1-1/4	2
14	97.1016	Bolt, Carriage 5/8-11 x 2 Gr5	2
15	99.A08	Locknut, Stover 1/2-13 USS	2
16	29.GF0001	Grease Ftg, 1/4 SAE ST	2
17	05.0194	Bumper, Axial 1,400 Lbs PF	2
18	90.0826	Bolt, 1/2-13 USS x 3-1/4	2
19	45.0061	Lanyard, 3/64 x 6" SS	1
20	99.K0163	Machine Screw, #10-32 x 3/4 SS	1
21	99.A1032N	Locknut, Nylon 10-32 Stainless	1
22	MW-6027	Frame, Hitch	1
23	MW-6030	Frame, Cross	1
24	MW-6047	Retainer, Spring Latch Upper	1
25	MW-6048	Retainer, Spring Latch Lower	1
26	MW-6056	Bracket, Spring Hook	1

PARTS

ILLUSTRATED DRAWING Hitch Frame and Swivel Links



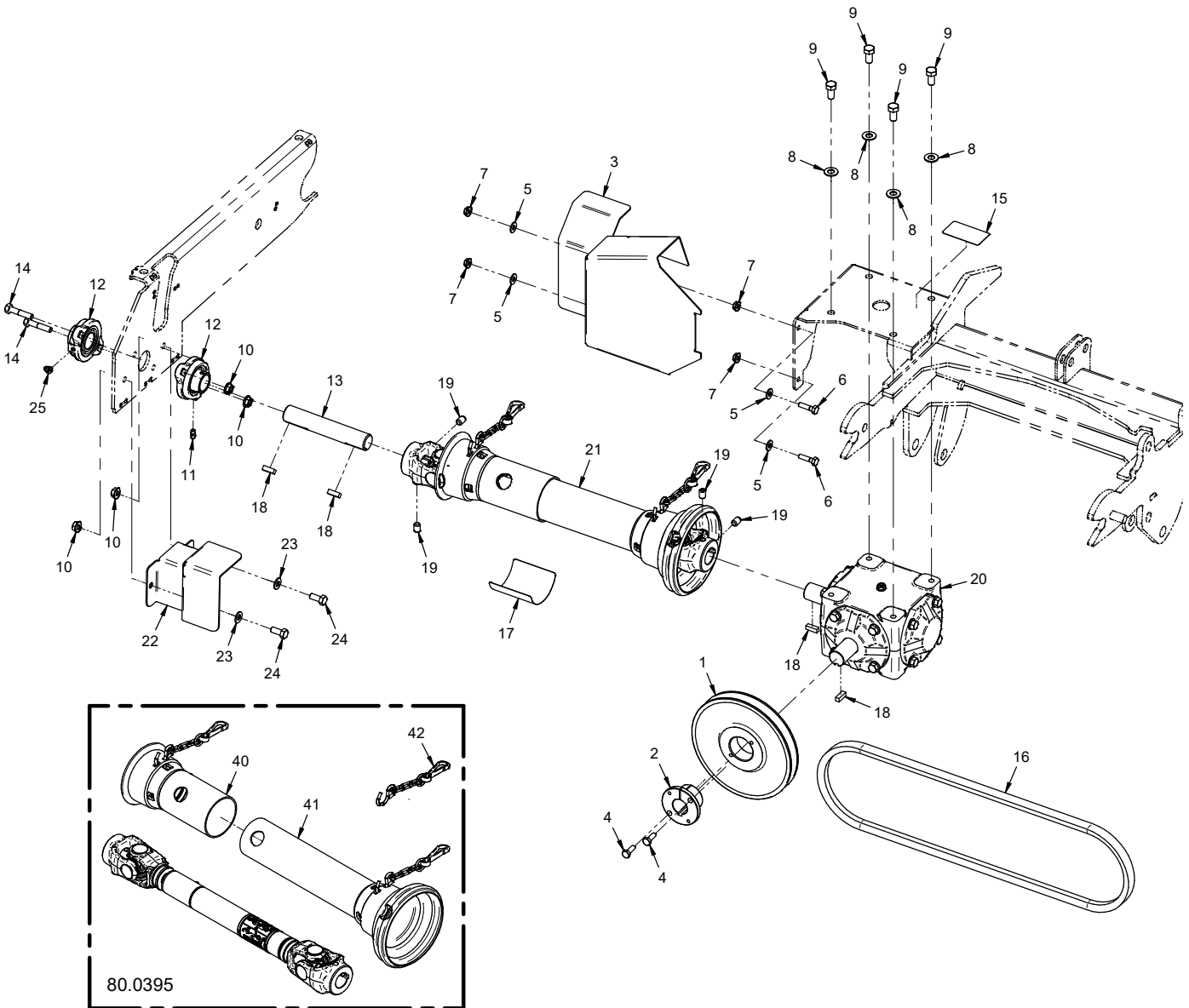
PARTS

Hitch Frame and Swivel Links

REF.	PART NO.	DESCRIPTION	QTY.
1	95.08	Washer, Flat 1/2 SAE	2
2	90.0812	Bolt, 1/2-13 USS x 1-1/2	2
3	99.SF08	Nut, SRF 1/2-13 USS	2
4	64.2020	Bushing, .635" x 1.125" x .375" L	4
5	95.10	Washer, Flat 5/8 SAE	5
6	90.1024	Bolt, 5/8-11 USS x 3	2
7	90.1018	Bolt, 5/8-11 USS x 2-1/4	2
8	90.1016	Bolt, 5/8-11 USS x 2	1
9	99.E0094	Locknut, 5/8-11 Flanged Stover	5
10	29.GF0001	Grease Ftg, 1/4 SAE ST	1
11	29.GF0002	Grease Ftg, 1/4 SAE 90	4
12	MW-6027	Frame, Hitch	1
13	MW-6041	Link, Upper Hitch Swivel	1
14	MW-6030	Frame, Cross	1
15	ND-6004	Link, Upper Pivot	2

PARTS

ILLUSTRATED DRAWING Gearbox and Drive Shaft



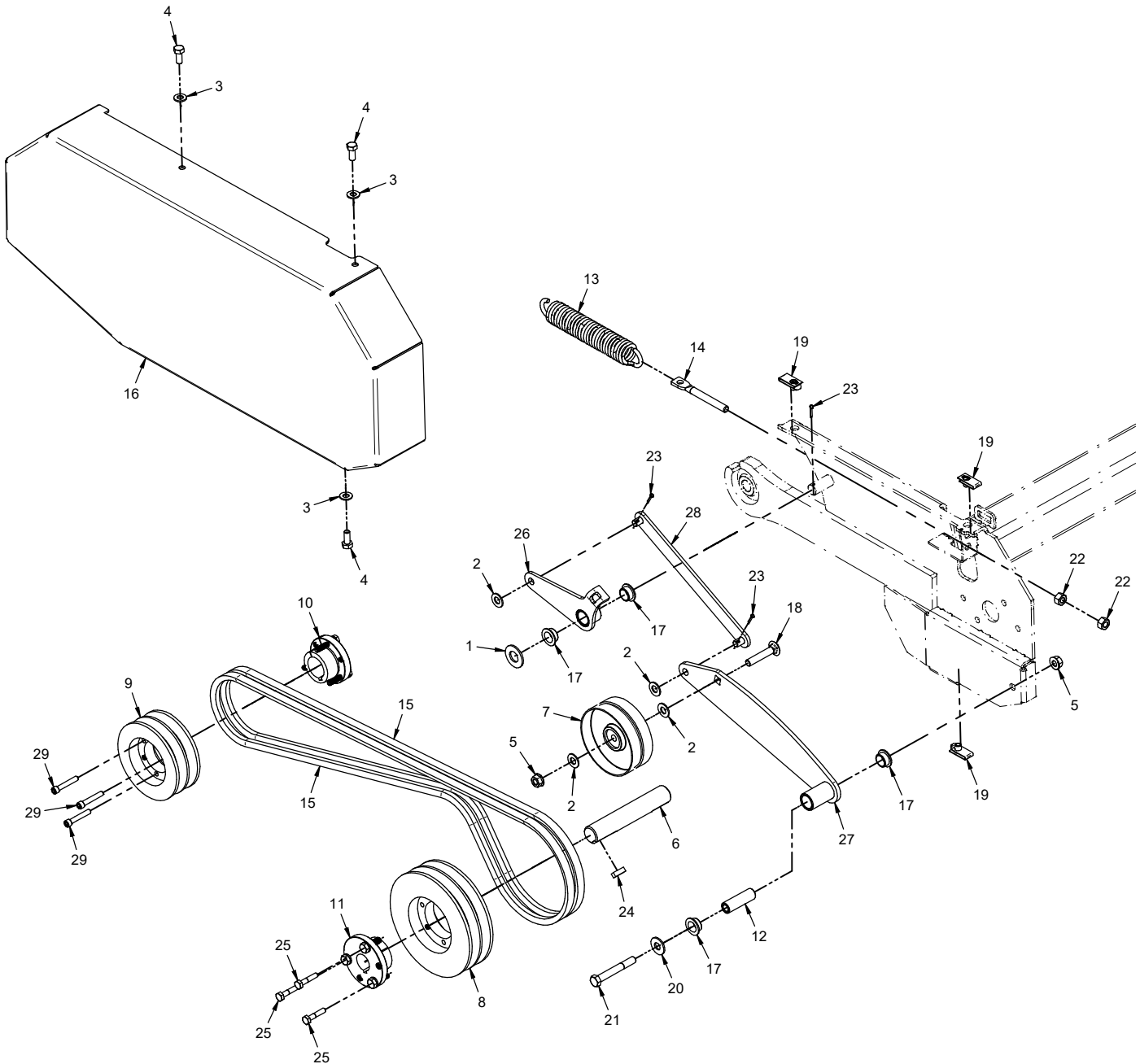
PARTS

Gearbox and Drive Shaft

REF.	PART NO.	DESCRIPTION	QTY.
1	83.BK70H	Pulley, 7" H-Bushing	1
2	83.H16S	Bushing, 1" Split 1/4" Key	1
3	MW-1243	Shield, Drive Pulley	1
4	90.0406	Bolt, 1/4-20 USS x 3/4"	2
5	95.04	Washer, Flat 1/4 SAE	4
6	90.0408	Bolt, 1/4-20 USS x 1"	2
7	99.SF04	Nut, SRF 1/4-20 USS	4
8	95.06	Washer, Flat 3/8 SAE	4
9	90.0606	Bolt, 3/8-16 USS x 3/4"	4
10	99.SF05	Nut, SRF 5/16-18 USS	4
11	29.GF0001	Grease Ftg, 1/4 SAE ST	1
12	55.FB16016-1	Bearing, Flange Block 1"	2
13	MW-1066	Shaft, 1" x 5-5/8"	1
14	90.0512	Bolt, 5/16-18 USS x 1-1/2"	2
15	00.0631	Decal, Finger/Hand Entanglement	1
16	81.B049	Belt, B49	1
17	00.0661	Decal, Entanglement Hazard Shaft	1
18	85.K0406	Key, 1/4 X 3/4	4
19	85.SS02	Set Screw, 3/8-16 x 1/2"	4
20	87.0260	Gearbox, 1" Shaft 1.5:1 CW/CW	1
21	80.0395	Shaft, Drive Telescoping MW 72"	1
22	MW-6057	Cover, Drive Shaft End	1
23	95.05	Washer, Flat 5/16 SAE	2
24	90.0506	Bolt, 5/16-18 USS x 3/4"	2
25	29.GF0003	Grease Ftg, 1/4 SAE 45	1
40	47.0494	Guard, Outer - Drive Shaft 720	1
41	47.0493	Guard, Inner - Drive Shaft 720	1
42	81.0190	Chain, Drive Shaft Guard	2

PARTS

ILLUSTRATED DRAWING Rotor Belt Drive



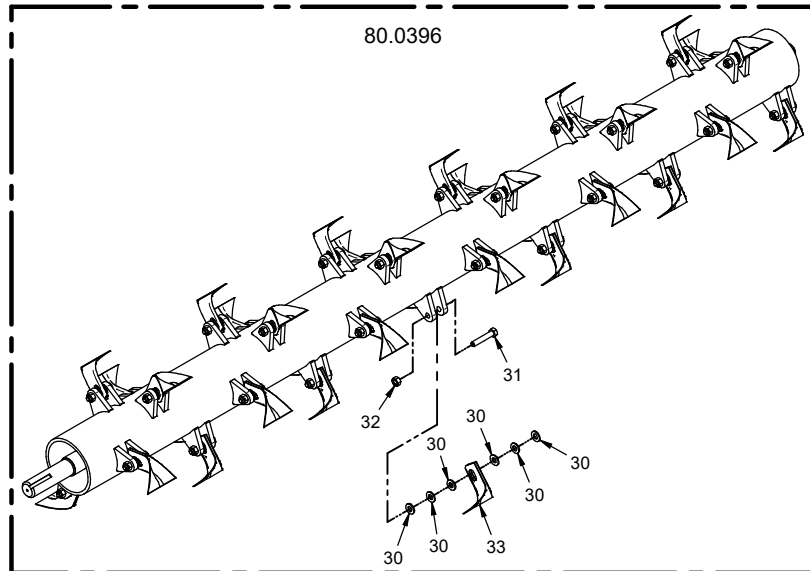
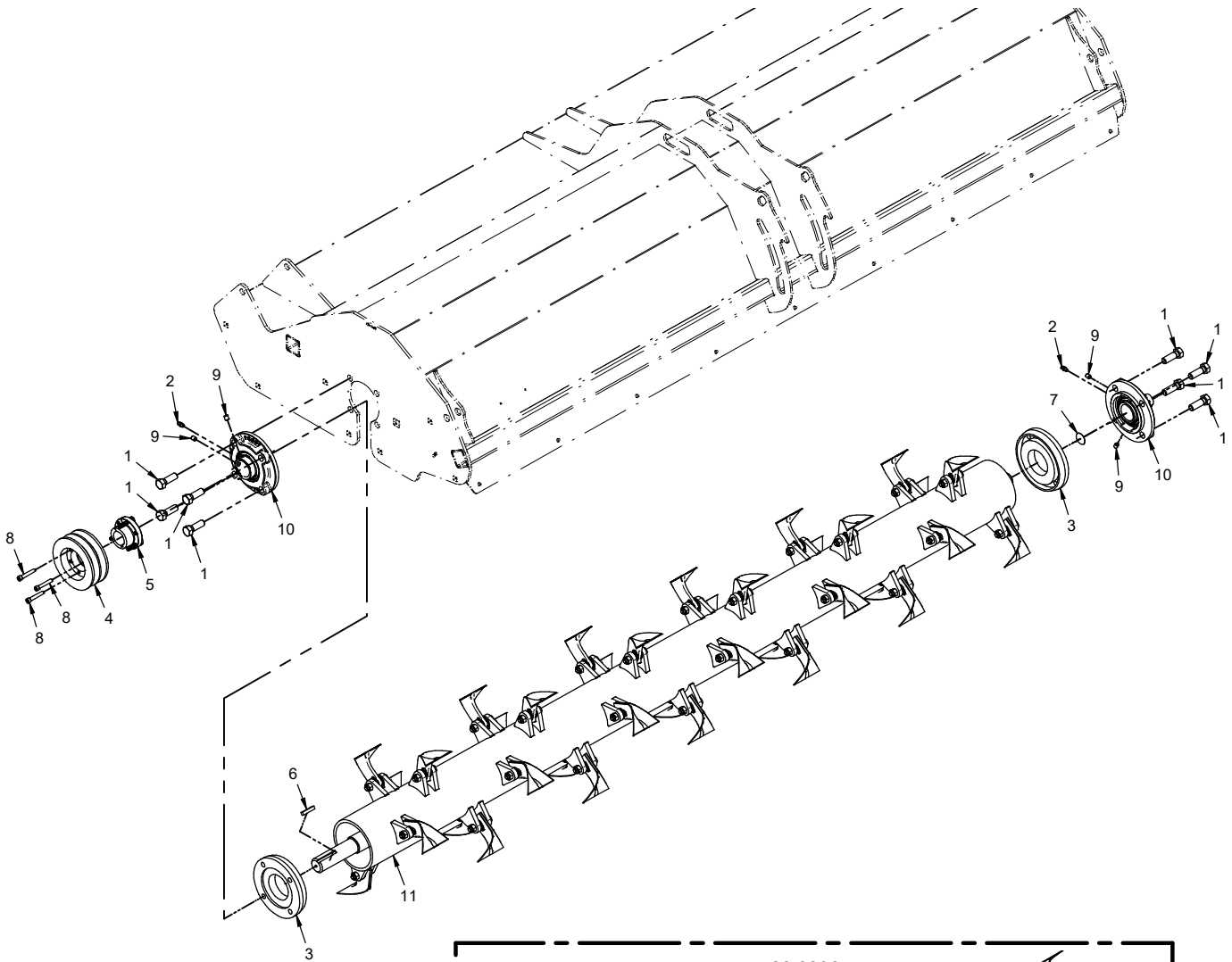
PARTS

Rotor Belt Drive

REF.	PART NO.	DESCRIPTION	QTY.
1	95.10	Washer, Flat 5/8 SAE	1
2	95.06	Washer, Flat 3/8 SAE	4
3	95.05	Washer, Flat 5/16 SAE	3
4	90.0506	Bolt, 5/16-18 USS x 3/4"	3
5	99.SF06	Nut, SRF 3/8-16 USS	2
6	MW-1066	Shaft, 1" x 5-5/8"	1
7	83.0042	Pulley, Dbl Idler Flat 4 X 3/8	1
8	83.2B58SDS	Pulley, 2B 5.8" 2 Groove	1
9	83.2B42SH	Pulley, 2B 4.2" 2 Groove	1
10	83.SH20	Bushing, 1.25" SH	1
11	83.SDS16	Bushing, 1" SDS	1
12	MW-1277	Bushing, .385" x .625" x 2" L	1
13	41.0138	Spring, Ext. 1.275 OD x 7-437 L	1
14	99.K0094	Bolt, Hanger 3/8-16 X 4	1
15	81.A059	Belt, A59	2
16	MW-1147	Cover, Rotor Belt	1
17	85.B0111	Bushing, 5/8 ID x 3/4 OD x 3/8	4
18	97.0616	Bolt, Carriage 3/8-16 x 2	1
19	99.E0099	Nut, "U" 5/16-18 Extruded	3
20	94.06	Washer, Flat 3/8 USS	1
21	90.0622	Bolt, 3/8-16 USS x 2-3/4	1
22	92.06	Nut, 3/8-16 USS	2
23	02.CP0306	Cotter Pin, 3/32 X 3/4	3
24	85.K0406	Key, 1/4 X 3/4	1
25	90.0410	Bolt, 1/4-20 USS x 1/1-4"	3
26	MW-6069	Idler Arm, Belt Tension	1
27	MW-6065	Link, Belt Tension Lower	1
28	MW-6066	Link, Belt Tension Upper	1
29	99.K0180	Bolt, SHCS 1/4-20 x 1-1/2	3

PARTS

ILLUSTRATED DRAWING Rotor with Scoop Knives



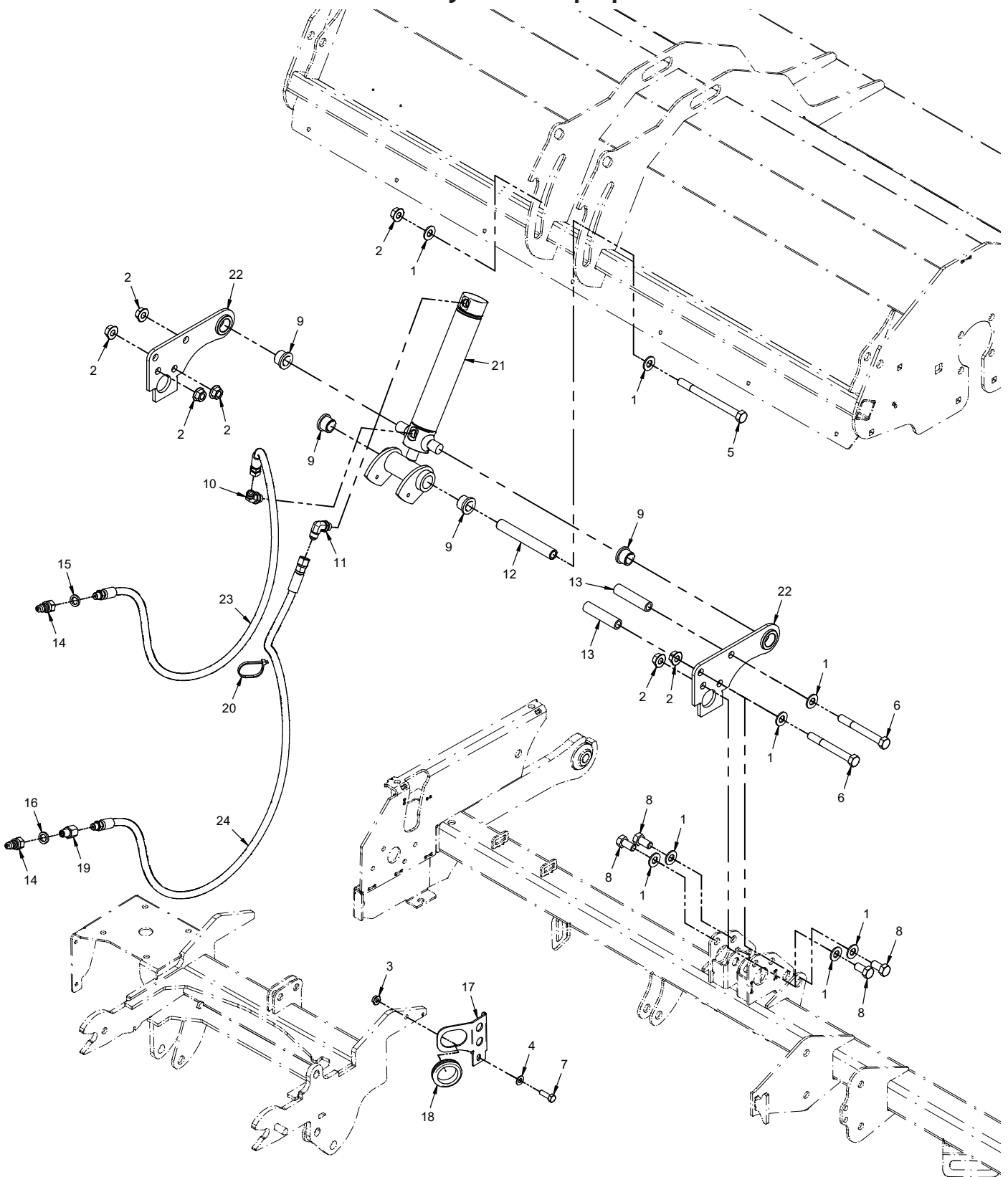
PARTS

Rotor with Scoop Knives

REF.	PART NO.	DESCRIPTION	QTY.
1	90.0812	Bolt, 1/2-13 USS x 1-1/2	8
2	29.GF0001	Grease Ftg, 1/4 SAE ST	2
3	MW-1214	Cap, Flail Rotor End	2
4	83.2B42SH	Pulley, 2B 4.2" 2 Groove	1
5	83.SH20	Bushing, 1.25" SH	1
6	85.K0410	Key, 1/4 X 1-1/4	1
7	00.0663	Decal, Shaft Rotation Indicator	1
8	99.K0180	Bolt, SHCS 1/4-20 x 1-1/2	3
9	85.SS18	Set Screw, 5/16-18 x 3/8	4
10	55.FB22020P	Bearing, Flange 1-1/4" Piloted	2
11	80.0396	Rotor, 72" Flail with Scoop Knives	1
30	95.06-8	Washer, Flat 3/8 SAE GR8	216
31	90.0616-8	Bolt, 3/8-16 USS x 2 GR8	36
32	99.A06-8	Locknut, Stover 3/8-16 USS GR8	36
33	79.0123	Knife, Scoop	36

PARTS

ILLUSTRATED DRAWING 70.8224 Hydraulic Flip Up Kit



PARTS

70.8224 Hydraulic Flip Up Kit

REF.	PART NO.	DESCRIPTION	QTY.
1	95.08	Washer, Flat 1/2 SAE	8
2	99.SF08	Nut, SRF 1/2-13 USS	7
3	99.SF05	Nut, SRF 5/16-18 USS	1
4	95.05	Washer, Flat 5/16 SAE	1
5	90.0848	Bolt, 1/2-13 USS x 6	1
6	90.0834	Bolt, 1/2-13 USS x 4-1/4	2
7	90.0508	Bolt, 5/16-18 USS x 1	1
8	90.0808	Bolt, 1/2-13 USS x 1	4
9	85.B0077	Bushing, 3/4 ID x 1" OD x 1	4
10	25.6802-06-06	Fitting, 45 ME 3/8 x 3/8	1
11	25.6801-06-06	Fitting, 90 ME 3/8 x 3/8	1
12	64.2022	Bushing, .588" x .75" x 5.313" L Aluminum	1
13	64.2021	Spacer, .510" x .75" x 3.125" L	2
14	23.0104	Coupler, Quick Male 1/4	2
15	05.0117	Washer, .544 ID x .817 x .14 Yel.	1
16	05.0116	Washer, .544 ID x .817 x .14 Red	1
17	MW-1321	Bracket, Hose	1
18	05.0178	Grommet, 1-1/2 ID, 2-1/8 OD, 1/2" Thk	1
19	29.0092	Fitting, .025 Orifice 1/4 Pipe	1
20	30.0037	Tyton Tie, #50 .18 x 8 Black	1
21	23.0204	Cylinder, 1-1/2" X 8"	1
22	MW-6051	Bracket, Flip Up	2
23	20.0185	Hose, 1/4x48.00 SAE 100R17 AR	1
24	20.0185	Hose, 1/4x48.00 SAE 100R17 AR	1