

Parts Manual

# HQ682

Tough Cut Mower



Revised 01/13/23  
09.20052 Rev. 03



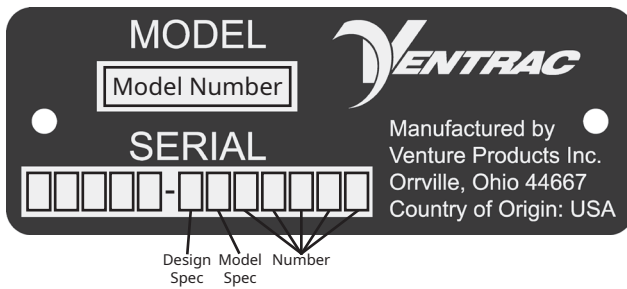
View all manuals



500 Venture Drive  
Orrville Oh 44667  
www.ventrac.com

Visit [ventrac.com/manuals](http://ventrac.com/manuals) for the latest version of this parts manual.  
A downloadable operator's manual is also available.

### Serial Number Description



### Notes

- If any component requires replacement, use only original Ventrac replacement parts.
- When ordering new components, be sure to order all required safety decals. All current safety decals must be affixed to the replacement components prior to installation of the component.

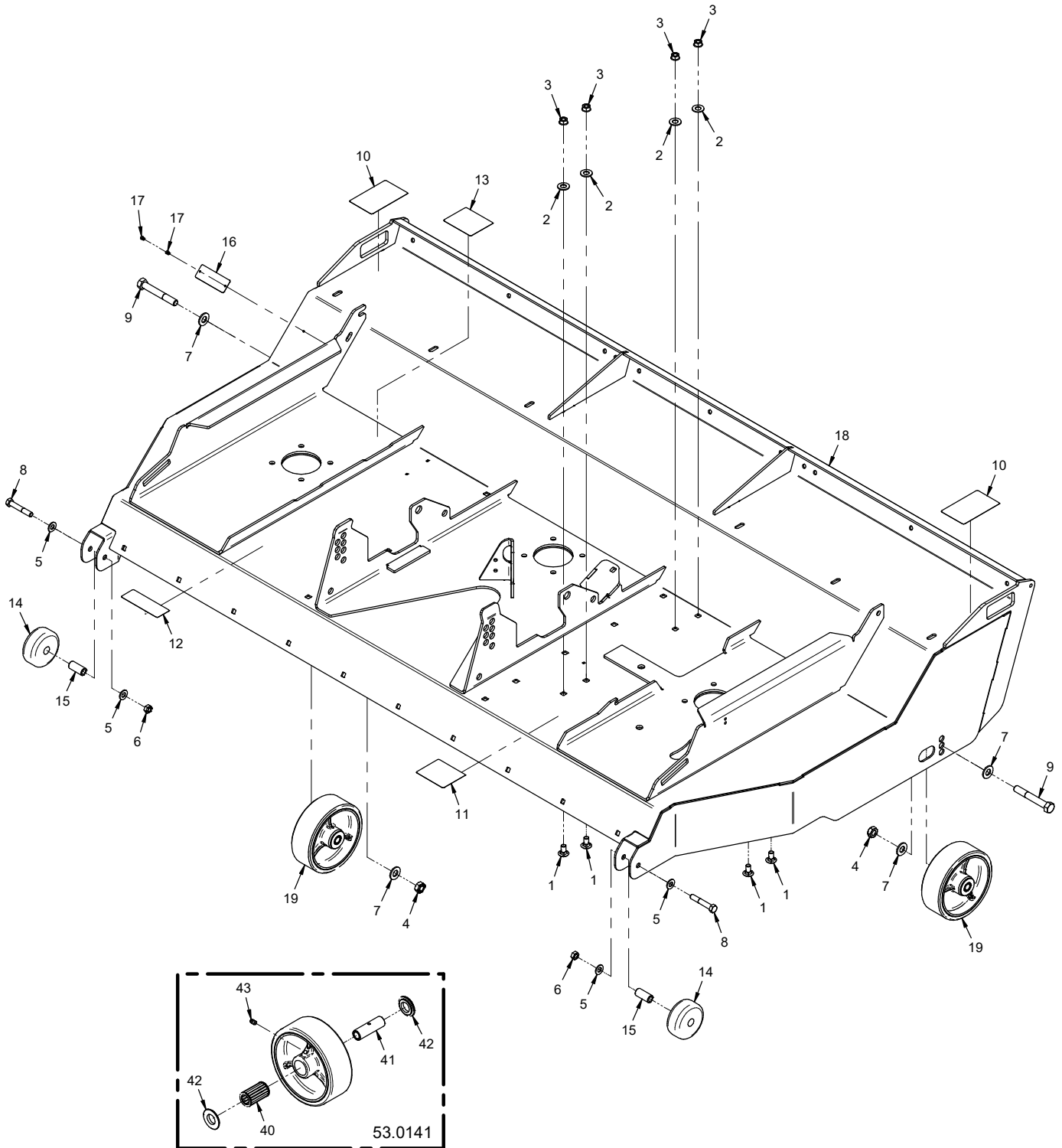
# TABLE OF CONTENTS

---

<b>PARTS</b>	<b>PAGE 4</b>
Main Deck and Fixed Wheels .....	4
Swivel Wheels.....	6
Front and Rear Deck Belting .....	8
Hitch Arms.....	10
Drive Shaft and Attachment Belt.....	12
Main Deck Belt and Tensioner .....	14
Right Spindle Belt and Tensioner .....	16
Spindles and Blades .....	18
Deck Cover .....	20
70.8226 Hydraulic Flip Up Kit .....	22

# PARTS

## ILLUSTRATED DRAWING Main Deck and Fixed Wheels



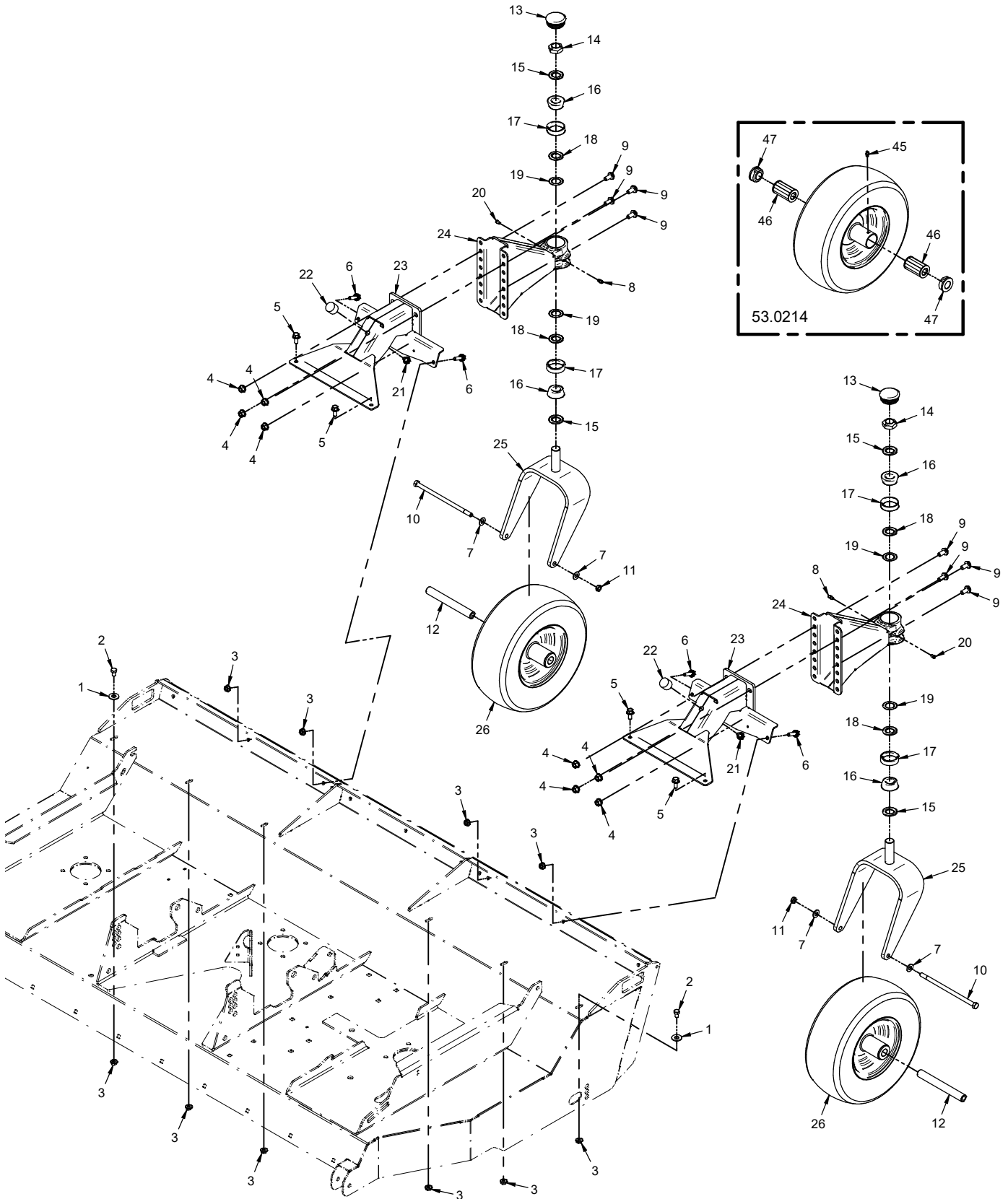
# PARTS

## Main Deck and Fixed Wheels

REF.	PART NO.	DESCRIPTION	QTY.
1	97.0606	.Bolt, Carriage 3/8-16 x 3/4	4
2	95.07	.Washer, Flat 7/16 SAE	4
3	99.SF06	.Nut, SRF 3/8-16 USS	4
4	99.A08	.Locknut, Stover 1/2-13 USS	2
5	95.06	.Washer, Flat 3/8 SAE	4
6	99.A06	.Locknut, Stover 3/8-16 USS	2
7	95.08	.Washer, Flat 1/2 SAE	4
8	90.0618	.Bolt, 3/8-16 USS x 2-1/4	2
9	90.0828	.Bolt, 1/2-13 USS x 3-1/2	2
10	00.0628	.Decal, Cutting Hazard Mower Blade	2
11	00.0626	.Decal, Entanglement Hazard	1
12	00.0620	.Decal, Pinching or Crushing Hazard	1
13	00.0625	.Decal, Shield Missing	1
14	HQ-1137	.Roller, Rear 3" Dia x 1-1/4" Long	2
15	HQ-1160	.Axle, Rear Roller HQ682	2
16	N/A	.Plate, Ventrac Serial Number	1
17	04.0029	.Rivet, Pop 1/8" X 1/4" SS	2
18	HQ-6000	.Frame, Main Deck HQ682	1
19	53.0141	.Wheel, Caster 6 X 2	2
40	55.0073	.Bearing, Roller 1-13/16" Long	1
41	85.B0089	.Bushing, 1/2ID x 3/4OD x 2.406	1
42	55.0074	.Bearing, Retainer 3/4"	2
43	29.GF0001	.Grease Ftg, 1/4 SAE ST	1

# PARTS

## ILLUSTRATED DRAWING Swivel Wheels



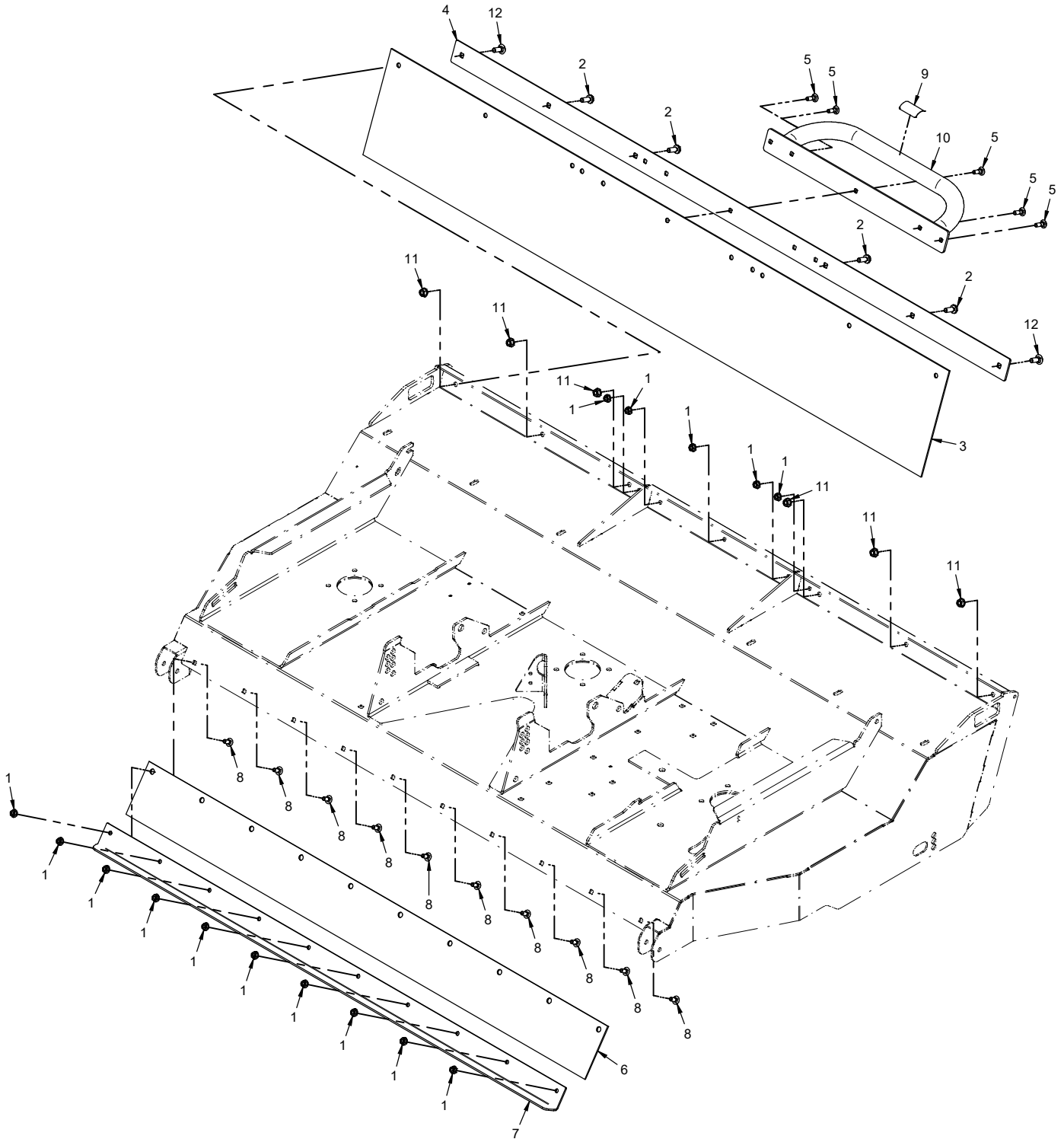
# PARTS

## Swivel Wheels

REF.	PART NO.	DESCRIPTION	QTY.
1	94.06	Washer, Flat 3/8 USS (Serial # 01001-03687)	2
2	90.0504	Bolt, 5/16-18 USS x 1/2" (Serial # 01001-03687)	2
2	99.SF0606	Bolt, SRF 3/8-16 USS x 3/4 (Serial # 03688-)	2
3	99.SF05	Nut, SRF 5/16-18 USS (Serial # 01001-03687)	10
3	99.SF06	Nut, SRF 3/8-16 USS (Serial # 03688-)	10
4	99.SF06	Nut, SRF 3/8-16 USS	8
5	99.SF0506	Bolt, SRF 5/16-18 USS x 3/4 (Serial # 01001-03687)	4
5	99.SF0606	Bolt, SRF 3/8-16 USS x 3/4 (Serial # 03688-)	4
6	99.SF0508	Bolt, SRF 5/16-18 USS x 1 (Serial # 01001-03687)	4
6	99.SF0608	Bolt, SRF 3/8-16 USS x 1 (Serial # 03688-)	4
7	95.06	Washer, Flat 3/8 SAE	4
8	29.GF0001	Grease Ftg, 1/4 SAE ST	2
9	99.SF0606	Bolt, SRF 3/8-16 USS x 3/4	8
10	90.0660	Bolt, 3/8-16 USS x 7-1/2	2
11	99.A06C	Locknut, Center 3/8-16	2
12	50.0050	Tube, Swivel Axle	2
13	05.0172	Plug, Rnd. 11/16 - 13/16 Tube	2
14	99.M0047	Locknut, Stover M22 x 1.5 ZP	2
15	99.B0119	Washer, Mach 7/8 x 1-3/8 x 10 GA	4
16	55.LM12749LA2	Bearing, Taper Roller Cone	4
17	55.LM12710	Bearing, Cup	4
18	85.B0099	Bushing, .875ID x 1.375OD x .120T	4
19	85.B0101	Bushing, .005 Spacer	4
20	29.GF0011	Grease Ftg, Plug 1/4-28	2
21	99.SF0504	Bolt, SRF 5/16-18 USS x 1/2	2
22	05.0110	Bumper, Neoprene 1" Dia	2
23	HQ-6012	Frame, Rear Mount	2
24	62.1507	Frame, Front Mount	2
25	50.0195	Yoke, Caster 13" Wheel	2
26	53.0214	Wheel, Asm 13 x 5 x 6 Flatfree	2
45	29.GF0001	Grease Ftg, 1/4 SAE ST	1
46	55.0116	Bearing, Roller 2.25" Long	2
47	55.0114	Retainer, Roller Bearing 3/4"	2

# PARTS

## ILLUSTRATED DRAWING Front and Rear Deck Belting





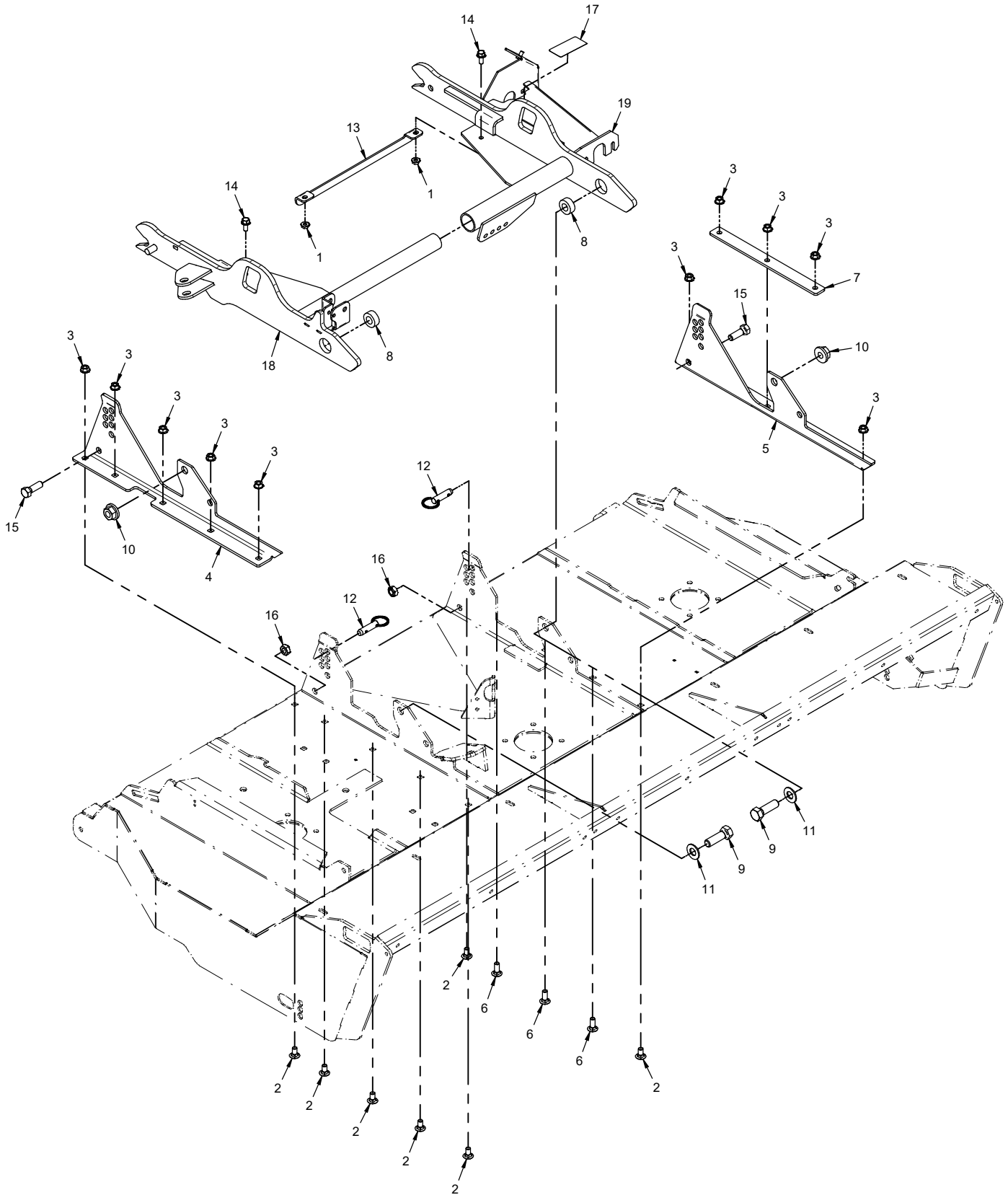
# PARTS

## Front and Rear Deck Belting

REF.	PART NO.	DESCRIPTION	QTY.
1	99.SF05	Nut, SRF 5/16-18 USS	15
2	99.SF0508	Bolt, SRF 5/16-18 USS x 1 (Serial # 01001-03687)	4
2	99.SF0608	Bolt, SRF 3/8-16 USS x 1 (Serial # 03688-)	4
3	HQ-1168	Belting, Front HQ682	1
4	HQ-1167	Clamp, Front Belting	1
5	97.0508	Bolt, Carriage 5/16-18 x 1	5
6	HQ-1161	Belting, Rear Discharge HQ682	1
7	HQ-1133	Clamp, Rear Belting	1
8	97.0506	Bolt, Carriage 5/16 x 3/4	10
9	00.0679	Decal, Not A Tow Point	1
10	HQ-6007	Guard, Center Spindle	1
11	99.SF05	Nut, SRF 5/16-18 USS (Serial # 01001-03687)	6
11	99.SF06	Nut, SRF 3/8-16 USS (Serial # 03688-)	6
12	97.0508	Bolt, Carriage 5/16-18 x 1 (Serial # 01001-03687)	2
12	97.0608	Bolt, Carriage 3/8-16 x 1 (Serial # 03688-)	2

# PARTS

## ILLUSTRATED DRAWING Hitch Arms



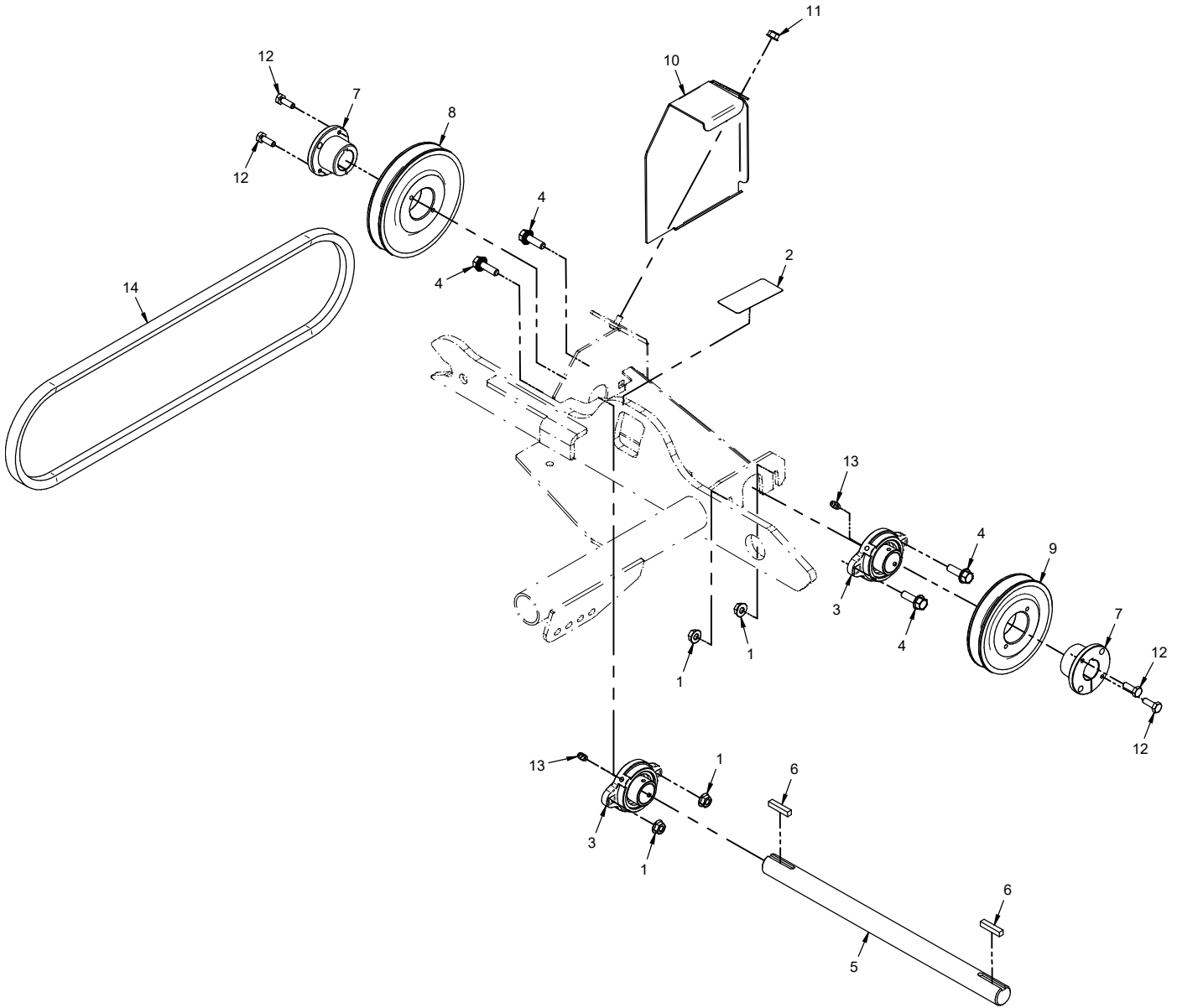
# PARTS

## Hitch Arms

REF.	PART NO.	DESCRIPTION	QTY.
1	99.SF05	Nut, SRF 5/16-18 USS	2
2	97.0606	Bolt, Carriage 3/8-16 x 3/4	7
3	99.SF06	Nut, SRF 3/8-16 USS	10
4	HQ-1107	Plate, Hitch Arm Mount Right	1
5	HQ-1109	Plate, Hitch Arm Mount Left	1
6	97.0608	Bolt, Carriage 3/8-16 x 1	3
7	HQ-1191	Plate, Reinforcement	1
8	HQ-1144	Bushing, Hitch Arm Pivot	2
9	90.1016	Bolt, 5/8-11 USS x 2	2
10	99.E0094	Locknut, 5/8-11 Flanged Stover	2
11	95.10	Washer, Flat 5/8 SAE	2
12	03.0008	Pin, Ball 1/2 x 1" GL	2
13	HQ-1124	Link, Spacing - Lift Arms	1
14	99.SF0506	Bolt, SRF 5/16-18 USS X 3/4	2
15	90.0812	Bolt, 1/2-13 USS x 1-1/2	2
16	99.A08	Locknut, Stover 1/2-13 USS	2
17	00.0619	Decal, Read Operator's Manual	1
18	HQ-6001	Arm, Right Hitch	1
19	HQ-6002	Arm, Left Hitch	1

# PARTS

## ILLUSTRATED DRAWING Drive Shaft and Attachment Belt



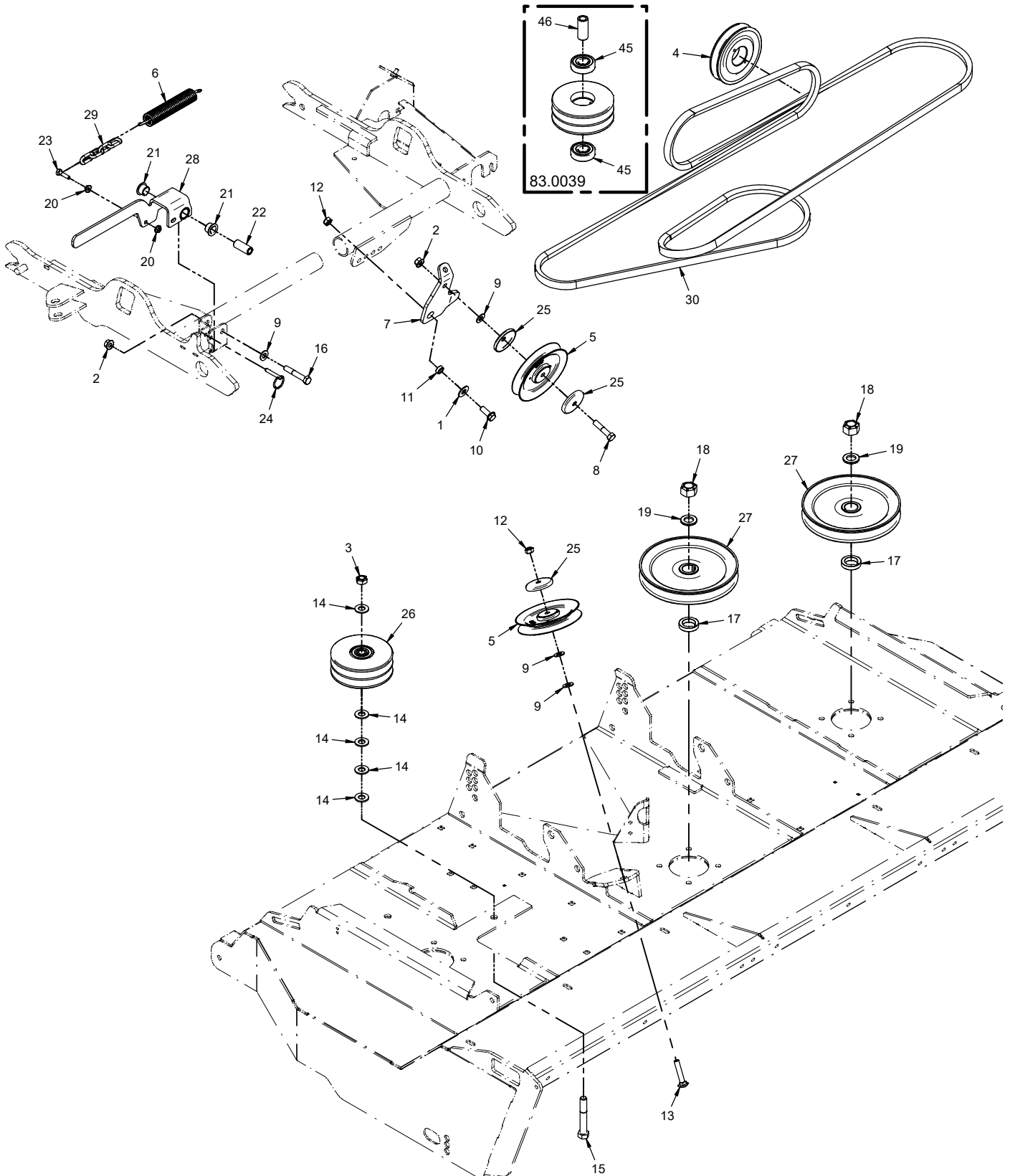
# PARTS

## Drive Shaft and Attachment Belt

REF.	PART NO.	DESCRIPTION	QTY.
1	99.SF05	Nut, SRF 5/16-18 USS	4
2	00.0619	Decal, Read Operator's Manual	1
3	55.FB16016-1	Bearing, Flange Block 1"	2
4	99.SF0508	Bolt, SRF 5/16-18 USS X 1	4
5	80.0312	Shaft, TGP 1 X 15-3/8L Jack	1
6	85.K0410	Key, 1/4 X 1-1/4	2
7	83.H16S	Bushing, 1" Split 1/4" Key	2
8	83.BK55H	Pulley, 5.5" H-Bushing	1
9	83.BK50H	Pulley, 5" H-Bushing	1
10	60.0665	Shield, Drive Pulley	1
11	99.E0101	Nut, Locking Flange 1/4-20	1
12	90.0406	Bolt, 1/4-20 USS x 3/4"	4
13	29.GF0001	Grease Ftg, 1/4 SAE ST	2
14	81.B045	Belt, B45R	1

# PARTS

## ILLUSTRATED DRAWING Main Deck Belt and Tensioner



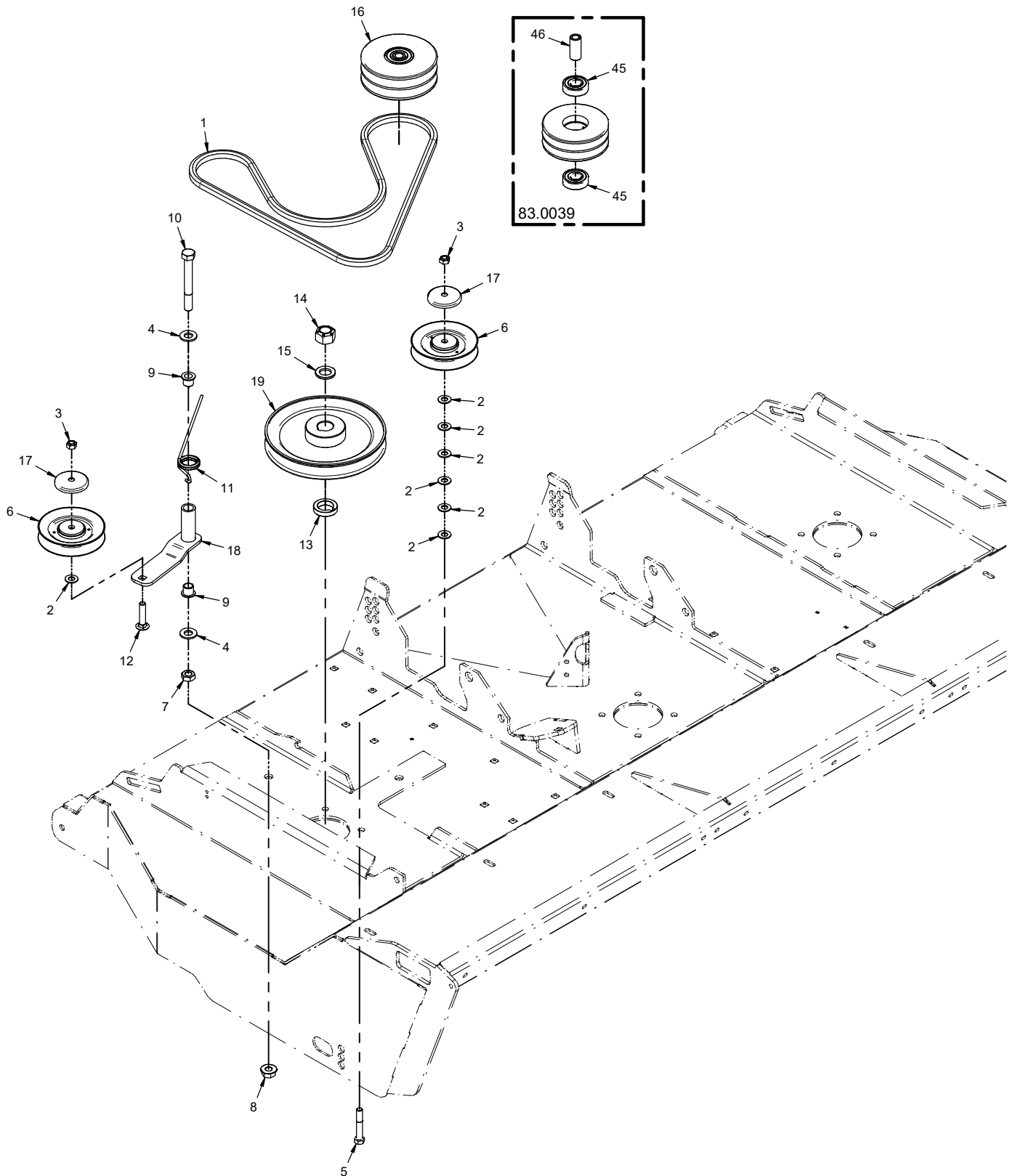
# PARTS

## Main Deck Belt and Tensioner

REF.	PART NO.	DESCRIPTION	QTY.
1	94.06	Washer, Flat 3/8 USS	1
2	99.SF06	Nut, SRF 3/8-16 USS	2
3	99.A08	Locknut, Stover 1/2-13 USS	1
4	83.BK50H	Pulley, 5" H-Bushing	1
5	83.0031	Pulley, V-Idler 5-1/4 X 3/8 ID	2
6	41.0048	Spring, Ext. 1 Od X 6	1
7	40.0399	Idler Arm, Belt Tension	1
8	90.0614	Bolt, 3/8-16 USS x 1-3/4	1
9	95.06	Washer, Flat 3/8 SAE	4
10	99.SF0608	Bolt, SRF 3/8-16 USS x 1	1
11	64.0602	Bushing, 3/8 x 5/8 x .265	1
12	99.A06	Locknut, Stover 3/8-16 USS	2
13	97.0616	Bolt, Carriage 3/8-16 x 2	1
14	95.08	Washer, Flat 1/2 SAE	5
15	90.0826	Bolt, 1/2-13 USS x 3-1/4	1
16	90.0618	Bolt, 3/8-16 USS x 2-1/4	1
17	85.B0080	Bushing, 1-1/2 OD, 1 ID	2
18	99.A12NF	Locknut, Stover 3/4-16 SAE	2
19	99.B0057-2	Washer, Mach 3/4 x 1-1/4 10 GA ZP	2
20	99.SF04	Nut, SRF 1/4-20 USS	2
21	85.B0088	Bushing, 5/8 ID X 3/4 OD X 1/2	2
22	64.1936	Bushing, Belt Tension Pivot	1
23	90.0408	Bolt, 1/4-20 USS x 1	1
24	03.0022	Pin, Ball 1/4" x 1"	1
25	60.1056	Cover, Pulley	3
26	83.0039	Pulley, Idler 2 Groove Asm	1
27	83.0079	Pulley, 7-1/2, 25mm STR BORE	2
28	HQ-6005	Handle, Belt Tensioner	1
29	81.0160	Chain, 1/8 Plated x 4 Links	1
30	81.5002	Belt, B162 Custom	1
45	55.0042	Bearing, Ball 20 MM X 47 MM	2
46	85.B0074	Bushing, Drive Pulley	1

# PARTS

## ILLUSTRATED DRAWING Right Spindle Belt and Tensioner





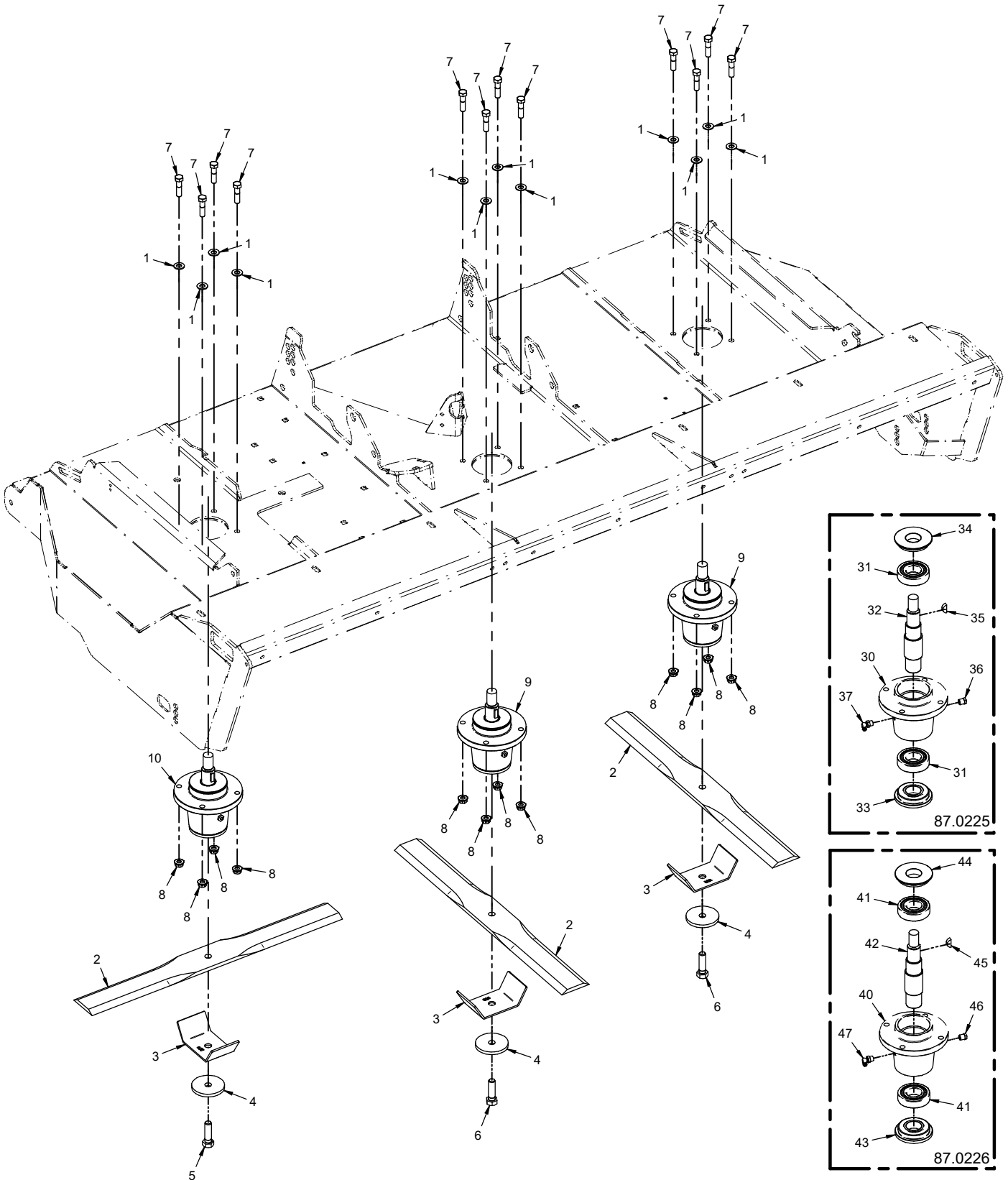
# PARTS

## Right Spindle Belt and Tensioner

REF.	PART NO.	DESCRIPTION	QTY.
1	81.0166	Belt, AA60 Custom	1
2	95.06	Washer, Flat 3/8 SAE	7
3	99.A06	Locknut, Stover 3/8-16 USS	2
4	95.08	Washer, Flat 1/2 SAE	2
5	90.0618	Bolt, 3/8-16 USS x 2-1/4	1
6	83.0038	Pulley, V-Idler 4-1/4 X 3/8 ID	2
7	99.E0058	Nut, Jam 1/2-13 USS	1
8	99.SF08	Nut, SRF 1/2-13 USS	1
9	85.B0027	Bushing, 1/2 ID X 5/8 OD X 5/8	2
10	90.0832	Bolt, 1/2-13 USS x 4	1
11	41.0066	Spring, Single Torsion Lh	1
12	97.0614	Bolt, Carriage 3/8-16 x 1-3/4	1
13	85.B0080	Bushing, 1-1/2 OD, 1 ID	1
14	99.A12NF	Locknut, Stover 3/4-16 SAE	1
15	99.B0057-2	Washer, Mach 3/4 x 1-1/4 10 GA ZP	1
16	83.0039	Pulley, Idler 2 Groove Asm	1
17	60.1056	Cover, Pulley	2
18	HQ-6009	Arm, Right Idler Pulley	1
19	83.0079	Pulley, 7-1/2, 25mm STR Bore	1
45	55.0042	Bearing, Ball 20 MM X 47 MM	2
46	85.B0074	Bushing, Drive Pulley	1

# PARTS

## ILLUSTRATED DRAWING Spindles and Blades



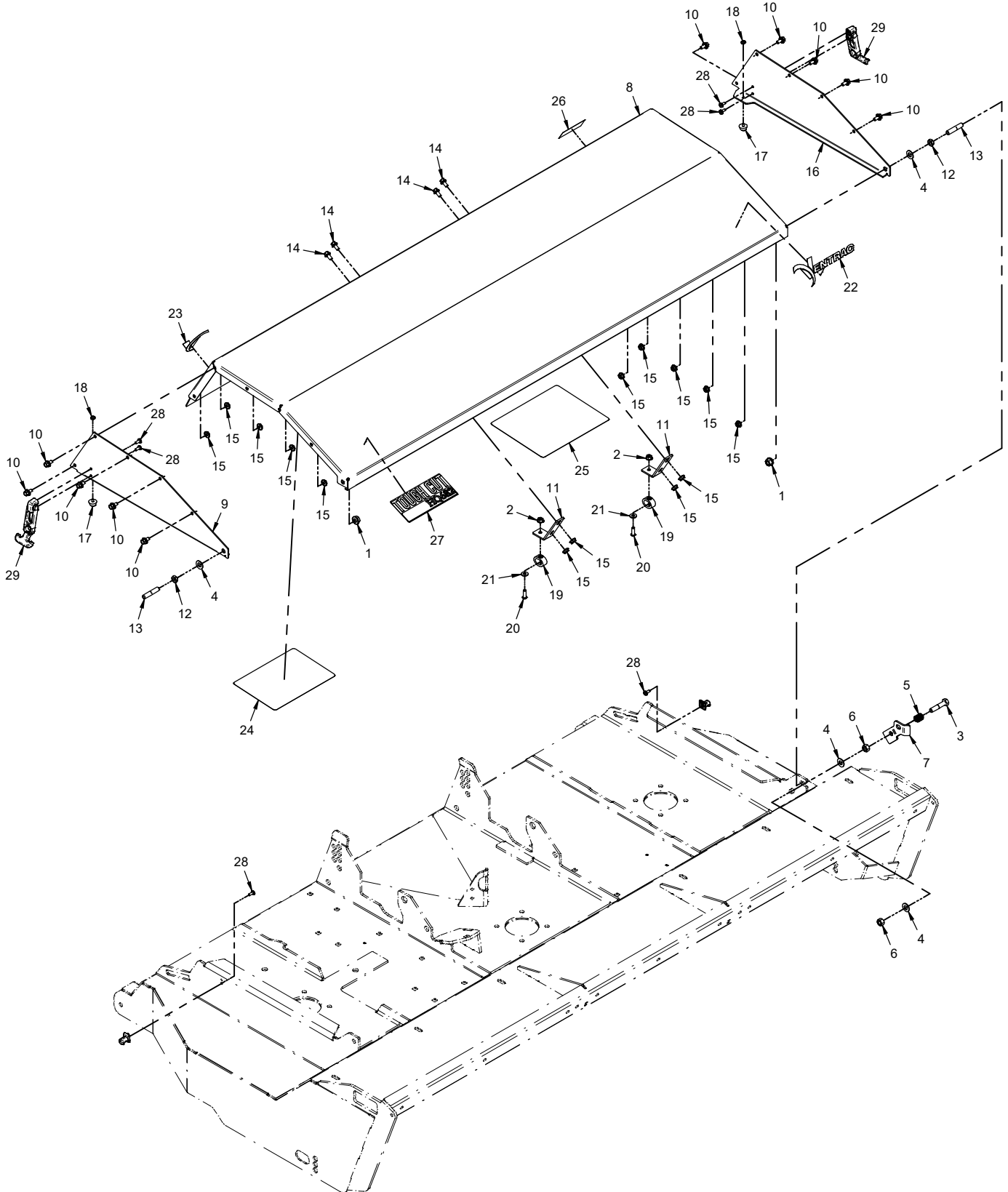
# PARTS

## Spindles and Blades

REF.	PART NO.	DESCRIPTION	QTY.
1	95.06	Washer, Flat 3/8 SAE	12
2	79.0048	Blade, 23.00x1/2 BD S Flat	3
3	64.2002	Guard, Spindle/Anti-String	3
4	99.B0091	Washer, .510 ID x 2-1/2 OD 1/4	3
5	91.0814-8L	Bolt, 1/2-20 x 1-3/4 LH GR8	1
6	91.0814-8	Bolt, 1/2-20 x 1-3/4 GR8	2
7	90.0612	Bolt, 3/8-16 USS x 1-1/2	12
8	99.E0082	Nut, Locking Flange 3/8-16	12
9	87.0225	Spindle, Asm RH 25MM CI	2
10	87.0226	Spindle, Asm LH 25MM CI	1
30	87.0225-1	Housing, Spindle CI	1
31	55.0070	Bearing, 30mm X 62mm X 16mm	2
32	87.0225-2	Shaft, Spindle RH	1
33	87.0224-3	Shield, Spindle Bottom	1
34	87.0225-3	Shield, Spindle Top	1
35	85.W0406	Key, Woodruff 1/4 X 3/4	1
36	29.GF0017	Fitting, Relief	1
37	29.GF0005	Grease Ftg, 1/8 NPT 90	1
40	87.0225-1	Housing, Spindle CI	1
41	55.0070	Bearing, 30mm X 62mm X 16mm	2
42	87.0226-2	Shaft, Spindle LH	1
43	87.0224-3	Shield, Spindle Bottom	1
44	87.0225-3	Shield, Spindle Top	1
45	85.W0406	Key, Woodruff 1/4 X 3/4	1
46	29.GF0017	Fitting, Relief	1
47	29.GF0005	Grease Ftg, 1/8 NPT 90	1

# PARTS

## ILLUSTRATED DRAWING Deck Cover



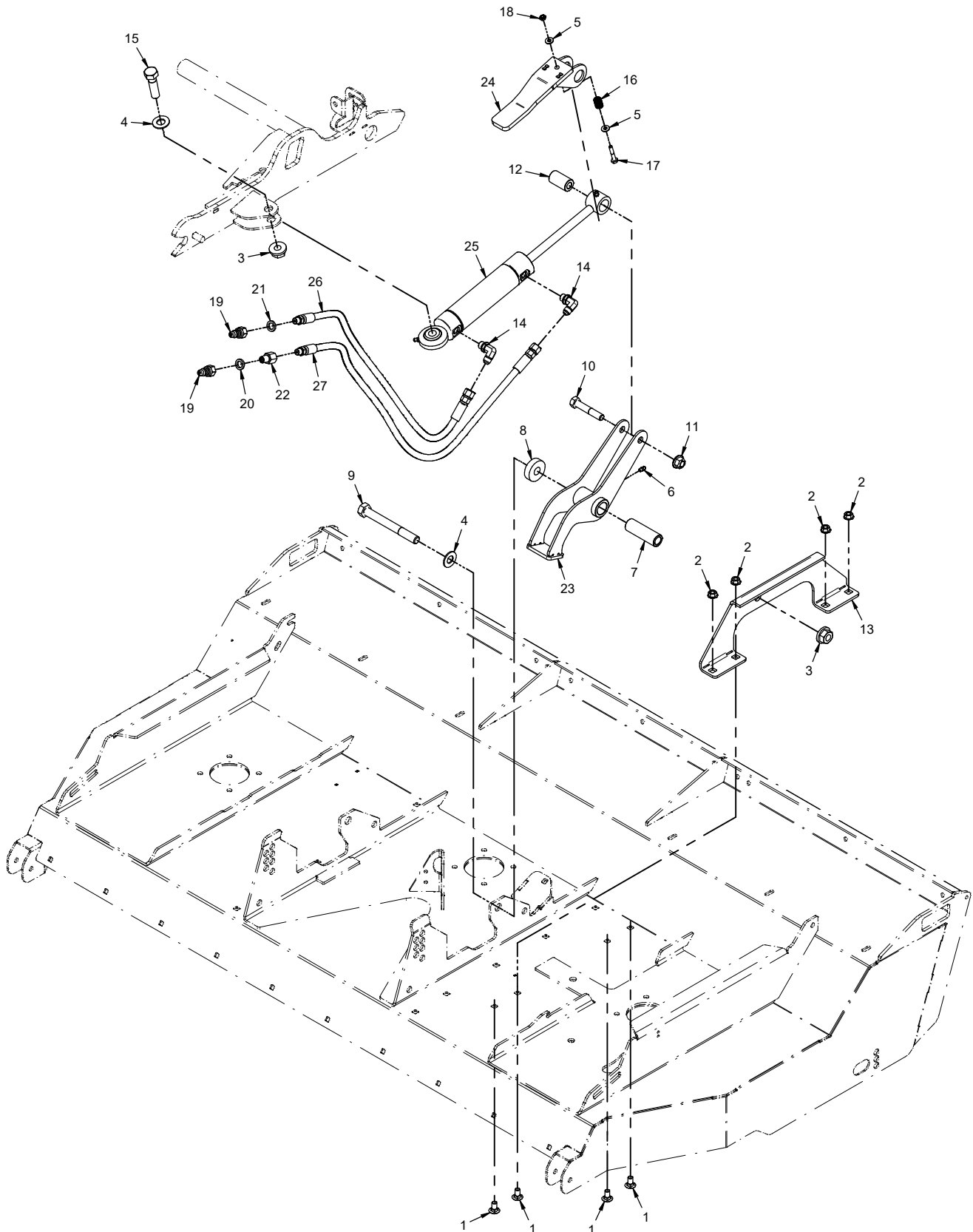
# PARTS

## Deck Cover

REF.	PART NO.	DESCRIPTION	QTY.
1	99.SF06	Nut, SRF 3/8-16 USS	2
2	99.E0101	Nut, Locking Flange 1/4-20	2
3	90.0614	Bolt, 3/8-16 USS x 1-3/4	1
4	95.06	Washer, Flat 3/8 SAE	4
5	41.0039	Spring, Comp. 9/16 OD X 5/8	1
6	92.06	Nut, 3/8-16 USS	2
7	HQ-1123	Latch, Deck Cover	1
8	HQ-1178	Cover, Main Deck Top	1
9	HQ-1179	Cover, Right End	1
10	99.SF0404	Bolt, SRF 1/4-20 X 1/2	10
11	HQ-1182	Bracket, Bumper Mount	2
12	99.E0037	Nut, Jam 3/8-16 USS	2
13	99.F0043	Pin, Hinge 3/8-16 X 1-7/8 Ss	2
14	99.SF0404-1	Bolt, SMF 1/4-20 X 1/2	4
15	99.SF04	Nut, SRF 1/4-20 USS	14
16	HQ-1180	Cover, Left End	1
17	05.0171	Bumper, Neoprene 60 Duro	2
18	99.E0104	Nut, Jam #8-32 Nylon Lock	2
19	05.0170	Bumper, Elastomer 125 Lbs PF	2
20	99.0406	Bolt, 1/4-20 x 3/4 BSCS	2
21	95.04	Washer, Flat 1/4 SAE	2
22	00.0672	Decal, Ventrac Black	1
23	00.0681	Decal, V Black	1
24	00.0678	Decal, Height Adjust HQ682	1
25	00.0677	Decal, Maintenance HQ682	1
26	00.0100	Decal, Built in the USA	1
27	00.0680	Decal, HQ682	1
28	99.K0072	Machine Screw, 10-24 X 1/2 ZP	6
29	47.0127	Latch, Rubber Draw T-Handle	2

# PARTS

## ILLUSTRATED DRAWING 70.8226 Hydraulic Flip Up Kit



# PARTS

## 70.8226 Hydraulic Flip Up Kit

REF.	PART NO.	DESCRIPTION	QTY.
1	97.0606	.Bolt, Carriage 3/8-16 x 3/4	4
2	99.SF06	.Nut, SRF 3/8-16 USS	4
3	99.E0094	.Locknut, 5/8-11 Flanged Stover	2
4	95.10	.Washer, Flat 5/8 SAE	2
5	95.04	.Washer, Flat 1/4 SAE	2
6	29.GF0001	.Grease Ftg, 1/4 SAE ST	1
7	64.1975	.Bushing, .641 x 1.00 x 3.094L	1
8	MK-1173	.Washer, .656 x 1.75 x 1/2 Thk	1
9	90.1044	.Bolt, 5/8-11 USS x 5-1/2	1
10	90.0822	.Bolt, 1/2-13 USS x 2-3/4	1
11	99.E0103	.Nut, Locking Flange 1/2-13	1
12	64.1973	.Bushing, .516ID X 1 OD X 1.75 L	1
13	HQ-1147	.Bracket, Flip Up Rocker Support	1
14	25.6801-06-06	.Fitting, 90 ME 3/8 x 3/8	2
15	90.1018	.Bolt, 5/8-11 USS x 2-1/4	1
16	41.0108	.Spring, Comp. .531 OD X .780 LG	1
17	90.0412	.Bolt, 1/4-20 USS x 1-1/2	1
18	99.A04	.Locknut, Stover 1/4-20 USS	1
19	23.0104	.Coupler, Quick Male 1/4	2
20	05.0116	.Washer, .544 ID x .817 x .14 Red	1
21	05.0117	.Washer, .544 ID x .817 x .14 Yel	1
22	29.0092	.Fitting, .025 Orifice 1/4 Pipe	1
23	HQ-6004	.Bracket, HQ Flip Up Rocker	1
24	64.2014	.Bracket, Hyd Cylinder Lock	1
25	23.0168	.Cylinder, 1-3/4" X 5-1/4"	1
26	20.0166	.Hose, 1/4x35.00 SAE 100R17 AR	1
27	20.0169	.Hose, 1/4x38.00 SAE 100R17 AR	1