

NA 130

Drop Spreader





500 Venture Drive
Orrville Oh 44667
www.ventrac.com

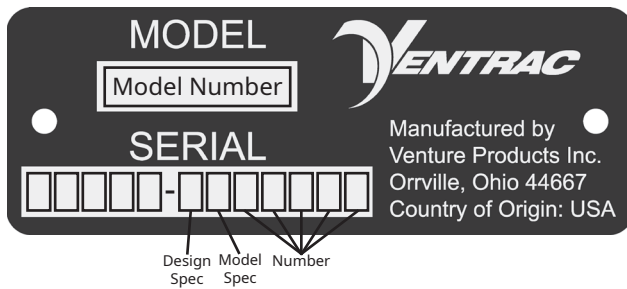
[View all manuals](#)



Visit ventrac.com/manuals for the latest version of this parts manual.

A downloadable operator's manual is also available.

Serial Number Description



Notes

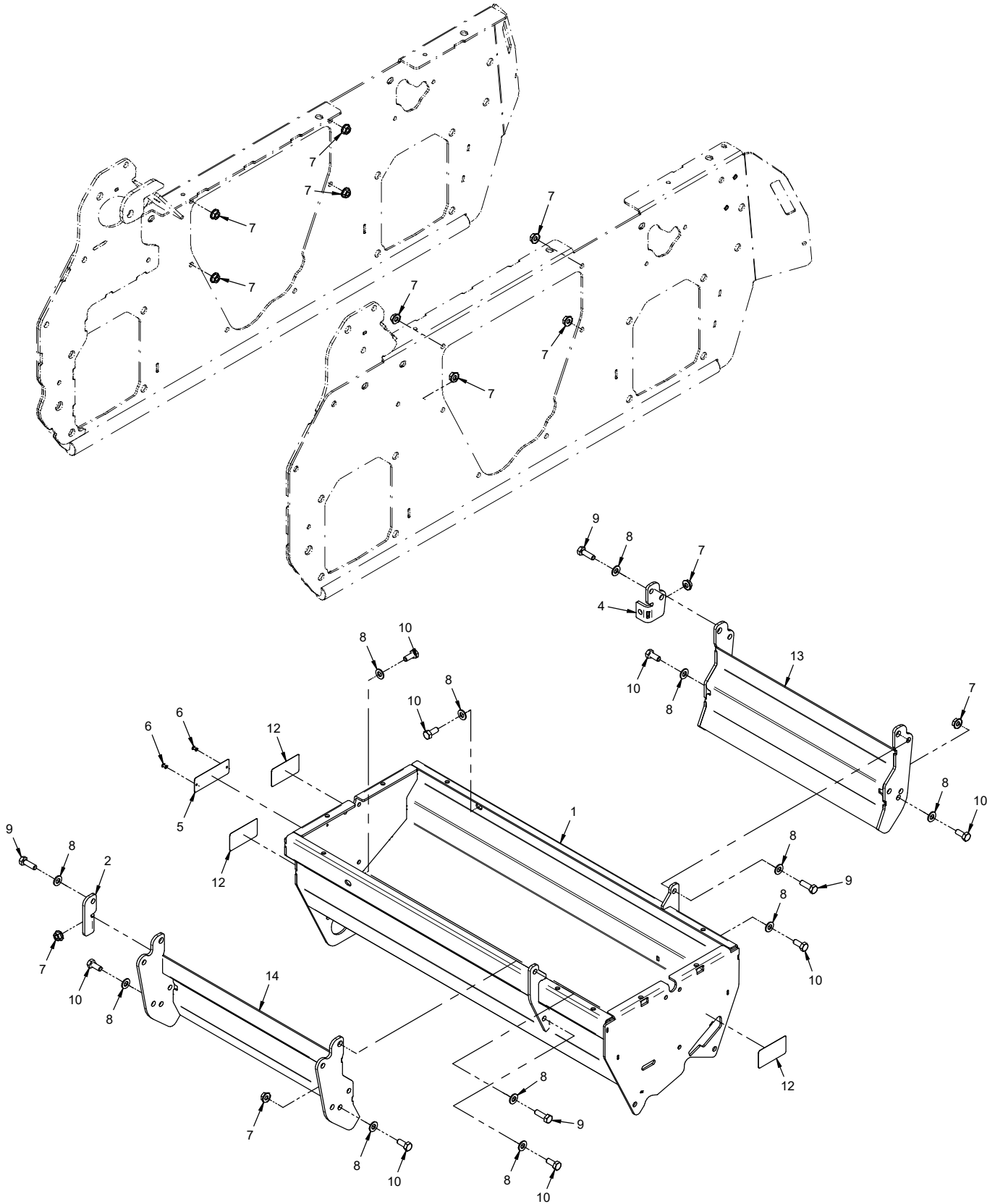
- If any component requires replacement, use only original Ventrac replacement parts.
- When ordering new components, be sure to order all required safety decals. All current safety decals must be affixed to the replacement components prior to installation of the component.

TABLE OF CONTENTS

PARTS	PAGE 4
Main Frame & Mounts.....	4
Motor Mount.....	6
Bin Extensions & Front Bin Seal.....	8
Chain Drive.....	10
Rotor & Rear Roller Seal.....	12
Gate Panel & Control Link.....	14
Drive Chain Guard, Rotor Gear Guard, & Rotor Caps.....	16
Spreader Controller.....	18

PARTS

ILLUSTRATED DRAWING Main Frame & Mounts



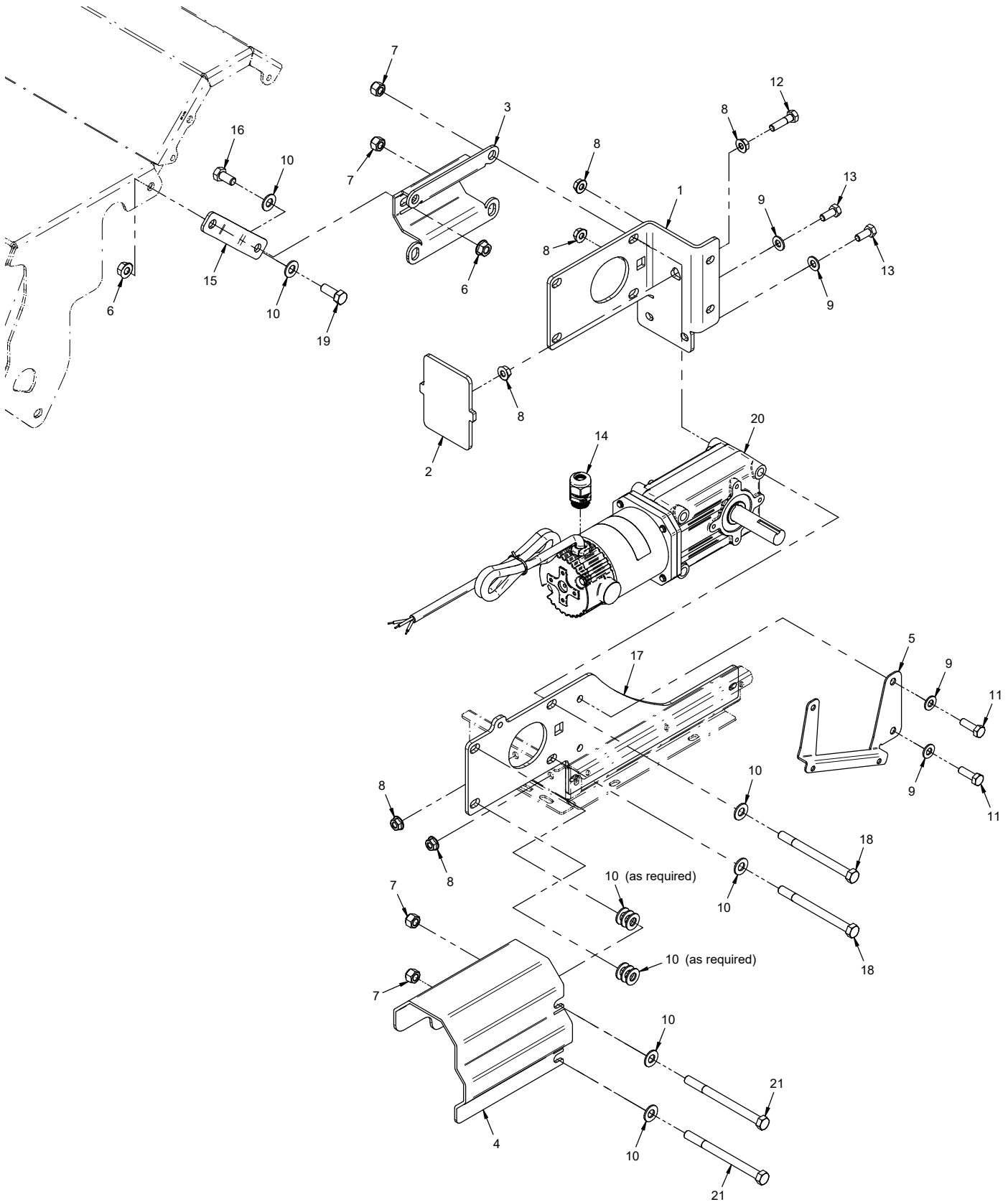
PARTS

Main Frame & Mounts

REF.	PART NO.	DESCRIPTION	QTY.
1	NA-6940	.Bin, Main	1
2	NA-1922	.Bracket, Bin Mount Right Front (Serial # 01001 - 02094)	1
2	NA-1217	.Bracket, Bin Mount Right Front (Serial # 02095-)	1
4	NA-1919	.Bracket, Bin Mount Right Rear (Serial # 01001 - 02094)	1
4	NA-1215	.Bracket, Bin Mount Right Rear (Serial # 02095-)	1
5	N/A	.Plate, Ventrac Serial Number	1
6	04.0029	.Rivet, Pop 1/8" X 1/4" SS	2
7	99.SF05-3	.Nut, SRF 5/16-18 USS Stainless	12
8	95.05-3	.Washer, Flat 5/16 SAE SS	12
9	90.0508-3	.Bolt, 5/16-18 USS x 1 SS	4
10	90.0506-3	.Bolt, 5/16-18 USS x 3/4 SS	8
12	00.0364	.Decal, Warning Pinch Point	3
13	NA-6902	.Bracket, Bin Mount (Serial # 01001 - 02094)	1
13	NA-6031	.Bracket, Rear Bin Mount (Serial # 02095-)	1
14	NA-6902	.Bracket, Bin Mount (Serial # 01001 - 02094)	1
14	NA-6032	.Bracket, Front Bin Mount (Serial # 02095-)	1

PARTS

ILLUSTRATED DRAWING Motor Mount



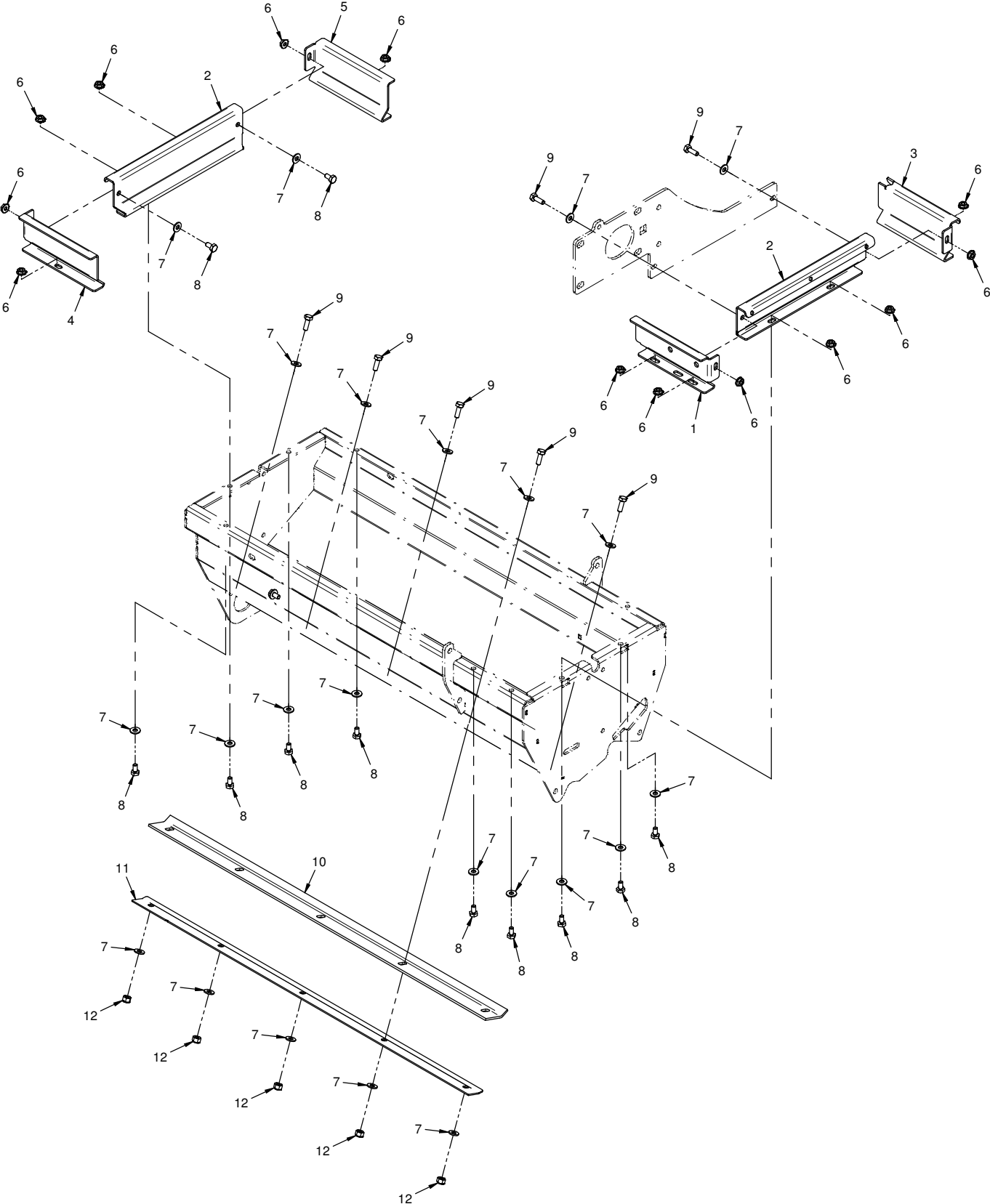
PARTS

Motor Mount

REF.	PART NO.	DESCRIPTION	QTY.
1	NA-2009	.Plate, Motor Mount Reinforcement	1
2	NA-2012	.Bracket, Motor Adjuster	1
3	NA-2013	.Shield, Motor	1
4	NA-2014	.Shield, Motor Top	1
5	NA-2015	.Shield, Motor Cord	1
6	99.SF06-3	.Nut, SRF 3/8-16 USS Stainless	2
7	99.A06N-3	.Locknut, Nylon 3/8-16 SS	4
8	99.SF05-3	.Nut, SRF 5/16-18 USS Stainless	6
9	95.05-3	.Washer, Flat 5/16 SAE SS	4
10	95.06-3	.Washer, Flat 3/8 SAE SS	12
11	90.0508-3	.Bolt, 5/16-18 USS x 1 SS	2
12	90.0510-3	.Bolt, 5/16-18 USS x 1-1/4 SS	1
13	90.0506-3	.Bolt, 5/16-18 USS x 3/4 SS	2
14	47.0442	.Grip, Cord	1
15	NA-2018	.Bracket, Support	1
16	90.0606-3	.Bolt, 3/8-16 USS x 3/4SS	1
17	NA-2008	.Plate, Motor Mount	1
18	90.0636-3	.Bolt, 3/8-16 USS x 4-1/2 SS	2
19	90.0608-3	.Bolt, 3/8-16 USS x 1 SS	1
20	37.0069	.Motor, Elec Gear RT Angle 1/17HP 12.2 RPM	1
21	90.0638-3	.Bolt, 3/8-16 USS x 4-3/4 SS	2

PARTS

ILLUSTRATED DRAWING Bin Extensions & Front Bin Seal



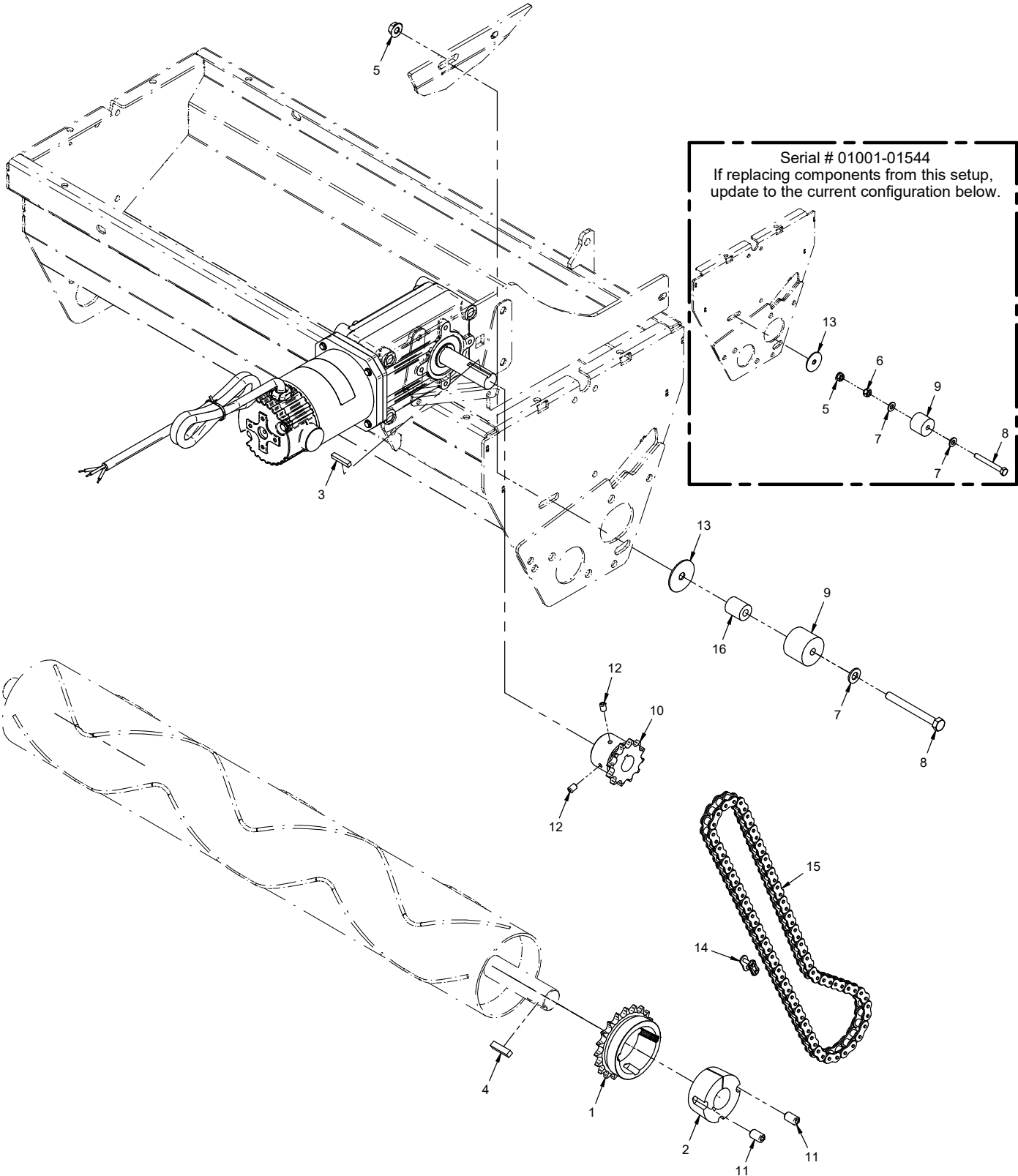
PARTS

Bin Extensions & Front Bin Seal

REF.	PART NO.	DESCRIPTION	QTY.
1	NA-1925	.Extension, Bin Left Front	1
2	NA-1923	.Extension, Bin End	2
3	NA-1924	.Extension, Bin Left Rear	1
4	NA-1926	.Extension, Bin Right Front	1
5	NA-1927	.Extension, Bin Right Rear	1
6	99.SF04-3	.Nut, SRF 1/4-20 USS Stainless	13
7	95.04-3	.Washer, Flat 1/4 SAE SS	23
8	90.0404-3	.Bolt, 1/4-20 USS x 1/2 SS	11
9	90.0406-3	.Bolt, 1/4-20 USS x 3/4 SS	7
10	NA-1908	.Seal, Bin Front Belting	1
11	NA-1909	.Clamp, Bin Front Belting Seal	1
12	99.A04N-3	.Locknut, Nylon 1/4-20 USS SS	5

PARTS

ILLUSTRATED DRAWING Chain Drive



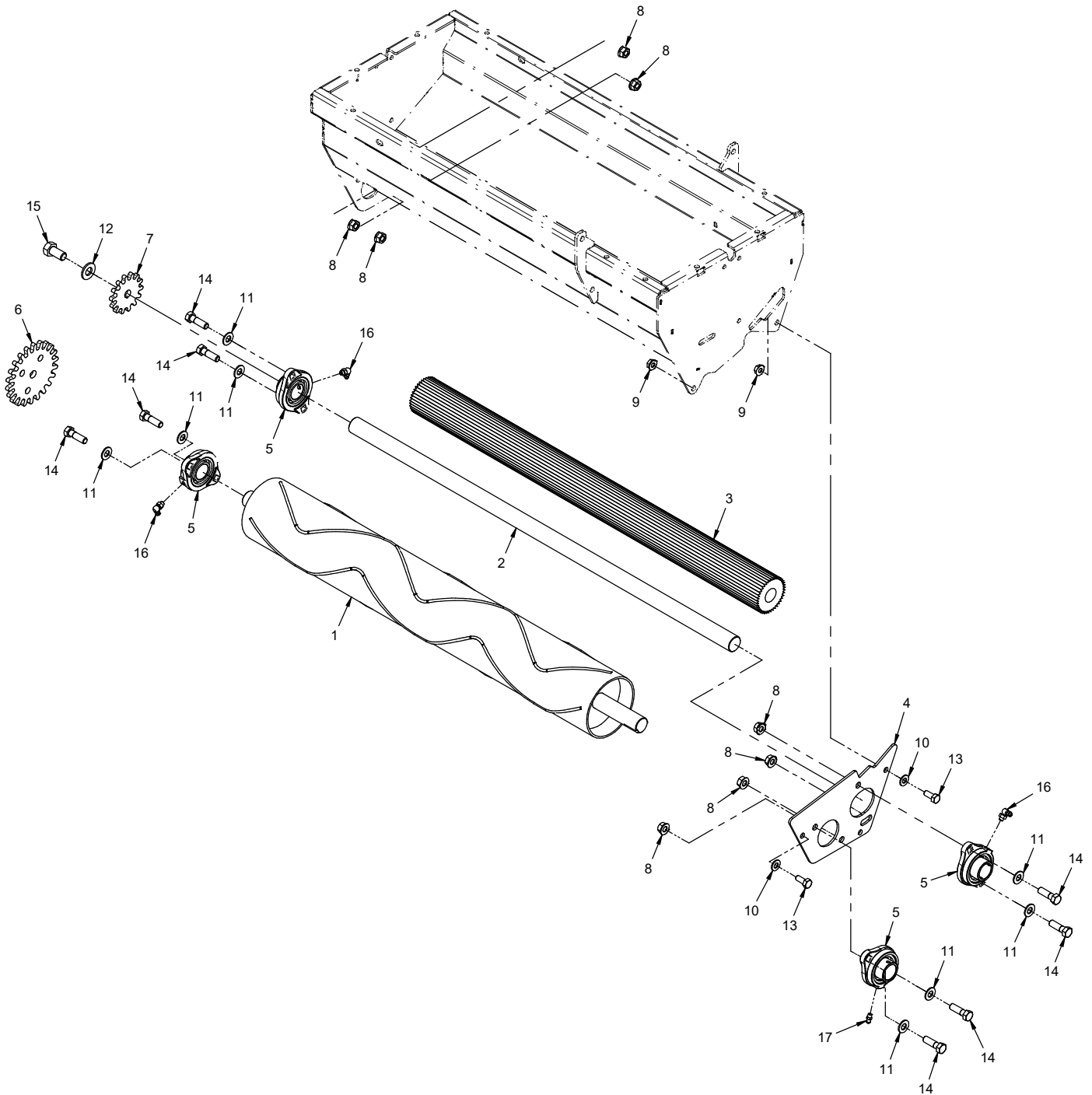
PARTS

Chain Drive

REF.	PART NO.	DESCRIPTION	QTY.
1	83.40TB20	Sprocket, #40 20-T Taper Bore	1
2	83.161016	Bushing, 1610 x 1" Taperd Lock	1
3	85.K0308	Key, 3/16 X 1	1
4	85.K0408-3	Key, 1/4 x 1 316SS	1
5	99.SF05-3	Nut, SRF 5/16-18 USS Stainless	2
6	99.A05N-3	Locknut, Nylon 5/16-18 SS	1
7	95.05-3	Washer, Flat 5/16 SAE SS	2
8	90.0524-23	Bolt, 5/16-18 x 3 SS Full	1
9	50.0199	Roller, Chain Tension	1
10	NA-3000	Sprocket, #40 12-T 3/4" Bore	1
11	85.SS27	Set Screw, 3/8-16 x 5/8 SS	2
12	85.SS24	Set Screw, 1/4-20 x 3/8 SS	2
13	99.B0103	Washer, Fender 5/16 SS	1
14	81.0056-1	Link, Conn. #40 SS	1
15	81.0163	Chain, Roller #40 x 39-1/2"	1
16	64.2018	Spacer, 5/16 ID x 3/4 OD x 7/8L SS	1

PARTS

ILLUSTRATED DRAWING Rotor & Rear Roller Seal



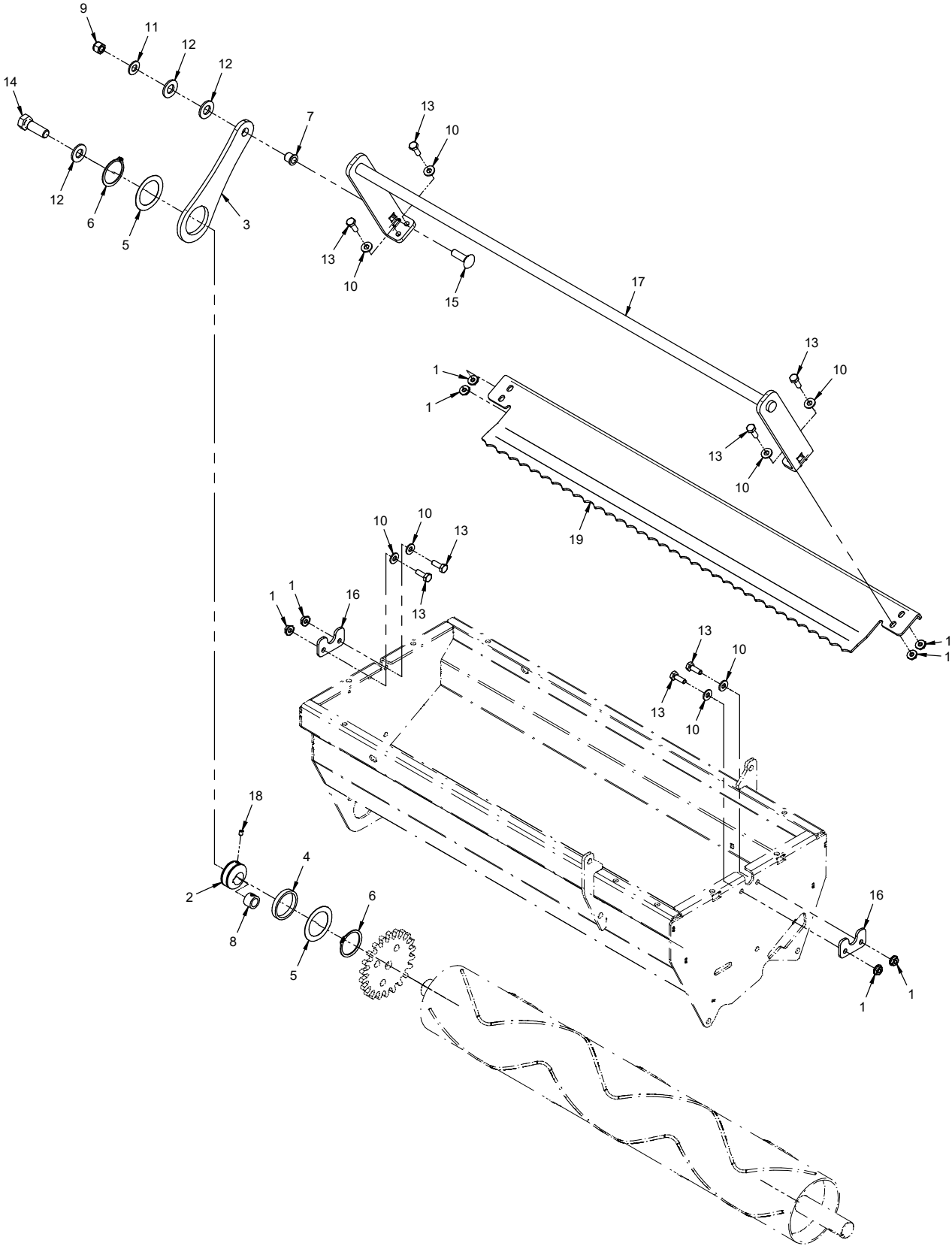
PARTS

Rotor & Rear Roller Seal

REF.	PART NO.	DESCRIPTION	QTY.
1	NA-6901	Rotor, NA130 Spreader	1
2	NA-1905	Shaft, Tube Seal	1
3	44.0396	Seal, Bin Rear Tube	1
4	NA-1970	Bracket, Lower Bin	1
5	55.FB16016-3	Bearing, Flange Block 1" ZP	4
6	NA-1910	Gear, NA Spreader Rotor	1
7	87.0238	Gear, SA Spreader Seal	1
8	99.SF06-3	Nut, SRF 3/8-16 USS Stainless	8
9	99.SF05-3	Nut, SRF 5/16-18 USS Stainless	2
10	95.05-3	Washer, Flat 5/16 SAE SS	2
11	95.06-3	Washer, Flat 3/8 SAE SS	8
12	95.08-3	Washer, Flat 1/2 SAE SS	1
13	90.0506-3	Bolt, 5/16-18 USS x 3/4 SS	2
14	90.0610-3	Bolt, 3/8-16 USS x 1-1/4 SS	8
15	90.0808-3	Bolt, 1/2-13 USS x 1 SS	1
16	29.GF0002	Grease Ftg, 1/4 SAE 90 (Serial # 01001-01960)	3
17	29.GF0001	Grease Ftg, 1/4 SAE ST (Serial # 01001-01960)	1

PARTS

ILLUSTRATED DRAWING Gate Panel & Control Link



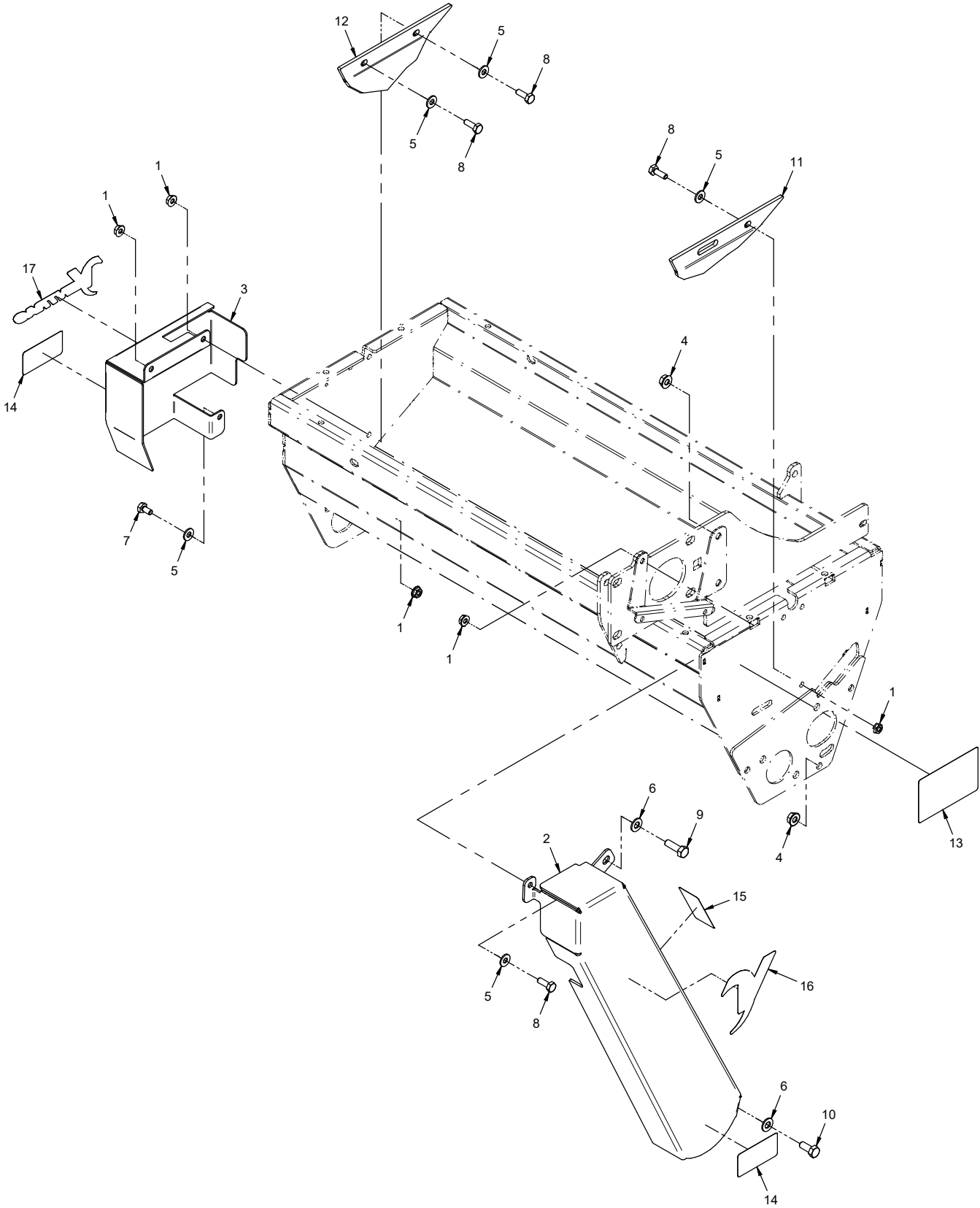
PARTS

Gate Panel & Control Link

REF.	PART NO.	DESCRIPTION	QTY.
1	99.SF04-3	Nut, SRF 1/4-20 USS Stainless	8
2	42.0568	Cam, Drive	1
3	NA-1978	Link, Gate Control	1
4	85.B0092	Bushing, Bronze Sleeve	1
5	99.B0112	Shim, 1.5ID x 2.13 OD .020T SS	2
6	04.0034	Snap Ring, Ext 1.387 x .05 THK	2
7	85.B0068	Bushing, 3/8 X 1/2 OD X 1/2 LG	1
8	NA-1988	Bushing, .510 ID X .74OD	1
9	99.A06N-3	Locknut, Nylon 3/8-16 SS	1
10	95.04-3	Washer, Flat 1/4 SAE SS	8
11	95.06-3	Washer, Flat 3/8 SAE SS	1
12	95.08-3	Washer, Flat 1/2 SAE SS	3
13	90.0406-3	Bolt, 1/4-20 USS x 3/4 SS	8
14	90.0812-3	Bolt, 1/2-13 USS x 1-1/2 SS	1
15	97.0610-3	Bolt, Carriage 3/8-16 x 1-1/4 SS	1
16	NA-1975	Bracket, Pivot	2
17	NA-6923	Shaft, Slide	1
18	85.SS26	Set Screw, 10-32 x 1/4 SS	1
19	NA-1915	Panel, Gate	1

PARTS

ILLUSTRATED DRAWING Drive Chain Guard, Rotor Gear Guard, & Rotor Caps



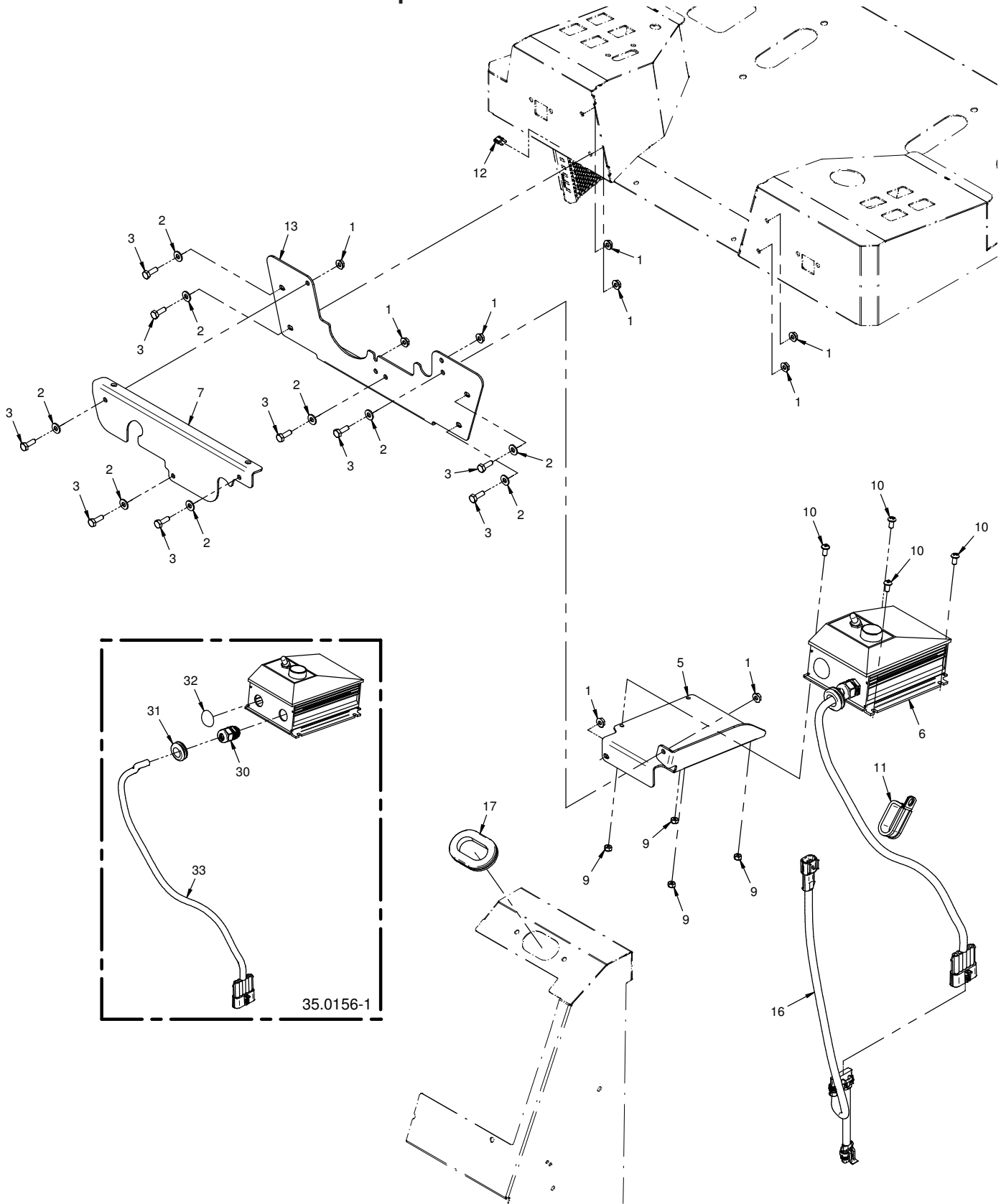
PARTS

Drive Chain Guard, Rotor Gear Guard, & Rotor Caps

REF.	PART NO.	DESCRIPTION	QTY.
1	99.SF04-3	Nut, SRF 1/4-20 USS Stainless	5
2	NA-2019	Guard, Chain	1
3	NA-2016	Guard, Rotor Gear	1
4	99.SF05-3	Nut, SRF 5/16-18 USS Stainless	2
5	95.04-3	Washer, Flat 1/4 SAE SS	5
6	95.05-3	Washer, Flat 5/16 SAE SS	2
7	90.0404-3	Bolt, 1/4-20 USS x 1/2 SS	1
8	90.0406-3	Bolt, 1/4-20 USS x 3/4 SS	4
9	90.0508-3	Bolt, 5/16-18 USS x 1 SS	1
10	90.0506-3	Bolt, 5/16-18 USS x 3/4 SS	1
11	NA-2010	Bracket, Rotor Cap Left	1
12	NA-2011	Bracket, Rotor Cap Right	1
13	00.0492	Decal, Shield Missing (Serial # 01001 - 02094)	1
13	00.0625	Decal, Shield Missing (Serial # 02095-)	1
14	00.0365	Decal, Warning Moving Parts	2
15	00.0364	Decal, Warning Pinch Point	1
16	00.0192	Decal, V-Decal Die Cut Blue	1
17	00.0382	Decal, Ventrac	1

PARTS

ILLUSTRATED DRAWING Spreader Controller



PARTS

Spreader Controller

REF.	PART NO.	DESCRIPTION	QTY.
1	99.SF04-3	.Nut, SRF 1/4-20 USS Stainless	10
2	95.04-3	.Washer, Flat 1/4 SAE SS	10
3	90.0406-3	.Bolt, 1/4-20 USS x 3/4 SS	9
5	NA-1931	.Mount, NA Controller Box	1
6	35.0156-1	.Asm, Controller 12V DC Drive	1
7	NT-1556	.Plate, Dash Front Cover	1
9	99.A1032N	.Locknut, Nylon 10-32 Stainless	4
10	99.K0165	.Machine Screw, #10-32 x 1/2 SS	4
11	11.0071	.Clamp, Cushioned Metal 3/4" 2-Tube	1
12	30.0333	.Fuse, 10 Amp Mini Red	1
13	NT-1555	.Plate, Front Dash Mount	1
16	32.0202	.Harness, Wire NA130 Drop Spreader	1
17	05.0071	.Grommet, 1-3/4ID x 2-3/4OD x 7/16T	1
30	47.0442	.Grip, Cord	1
31	05.0045	.Grommet, 3/4ID, 1 3/8OD, 1/2Thk	1
32	05.0179	.Plug, Hole Liquid Tight 1/2"	1
33	32.0195	.Harness, Wire NA130 Controller	1