

Parts Manual

MR770

Reel Mower





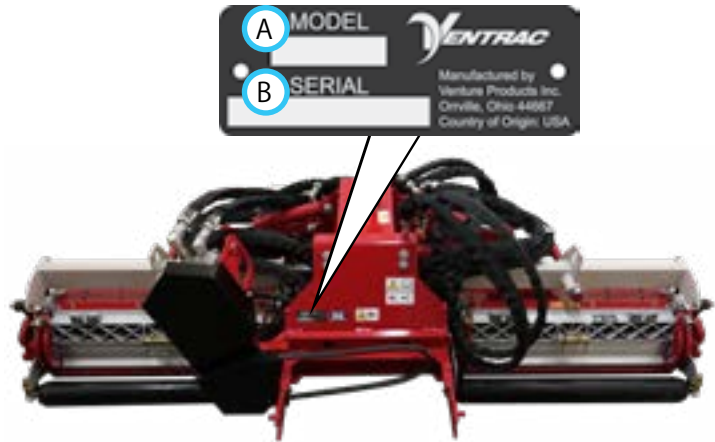
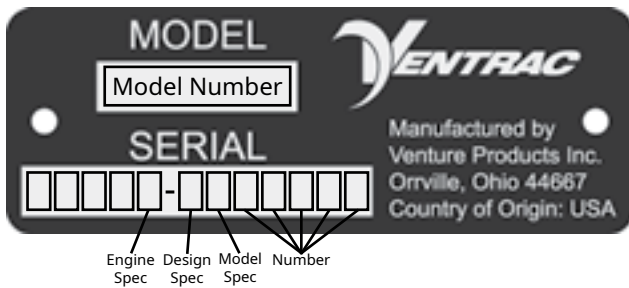
500 Venture Drive
Orrville Oh 44667
www.ventrac.com

[View all manuals](#)



Visit ventrac.com/manuals for the latest version of this parts manual. A downloadable operator's manual is also available.

Serial Number Description



Notes

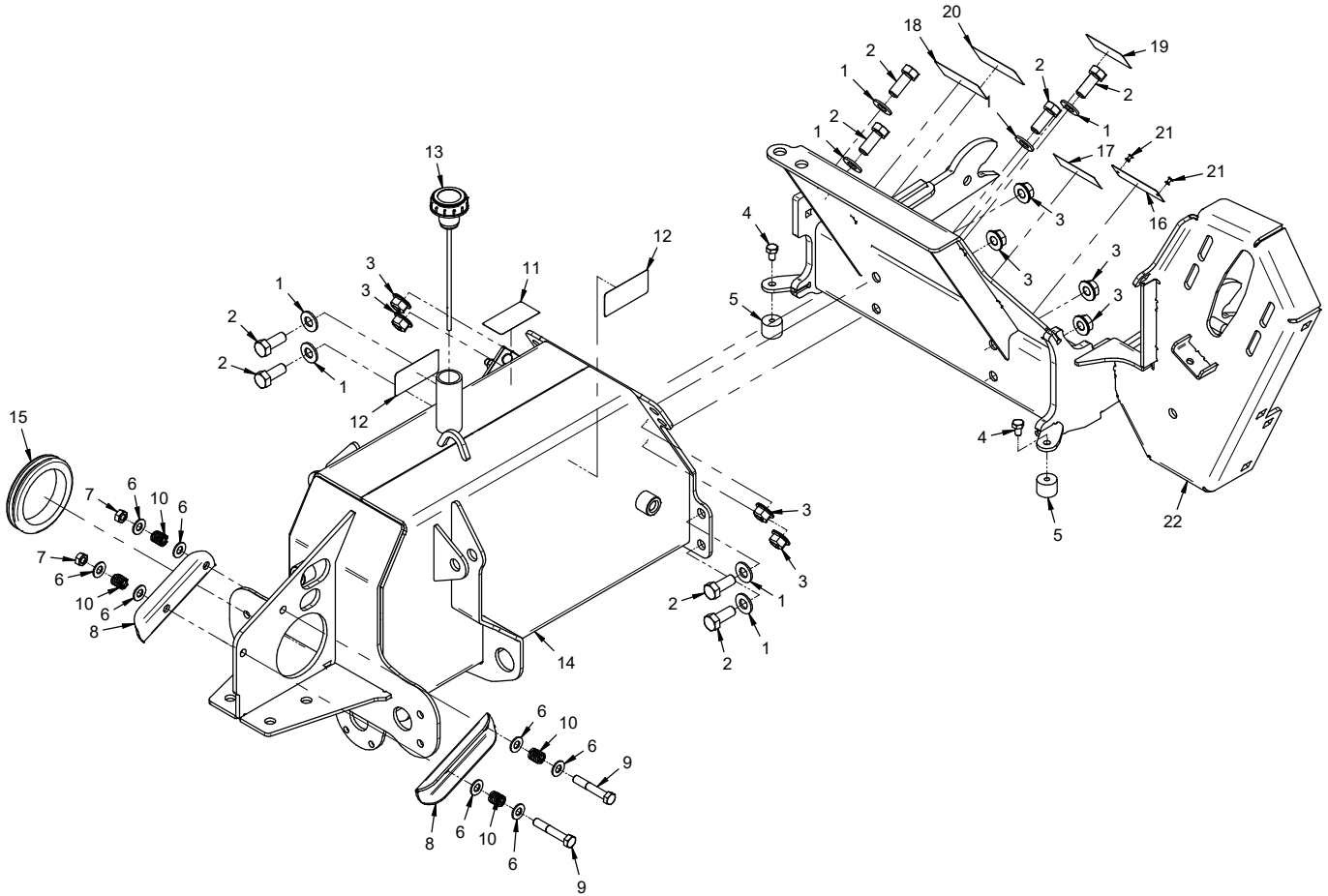
- If any component requires replacement, use only original Ventrac replacement parts.
- When ordering new components, be sure to order all required safety decals. All current safety decals must be affixed to the replacement components prior to installation of the component.

TABLE OF CONTENTS

PARTS	PAGE 4
Oil Tank Frame & Hitch Frame	4
Lift Arms & Front Reel Mount	6
Hydraulic Drive	8
Hydraulic Motors & Hoses.....	10
Lift Arm Hydraulic Hoses.....	12
Frame Assembly	14
Reel & Bedbar Assembly.....	16
Heavy-Duty MVP Kit #TT-120-7230.....	18
Roller Assembly	20
Long Roller Assembly #TT-112-8915.....	22
Optional Short Roller Assembly #TT-119-4286	24
Optional Full Front Roller Assembly #TT-114-9383	26
Wiehle Roller Assembly #TT-117-0960.....	28
Optional Shoulder Roller Assembly #TT-119-0630.....	30
Optional High Height-of-Cut Assembly #TT-110-9600.....	32
Shield Assembly.....	34
Optional Tool Assembly	36
Drive Assembly	38
Roller Brush Assembly.....	40
Plate Assembly.....	42

PARTS

ILLUSTRATED DRAWING Oil Tank Frame & Hitch Frame



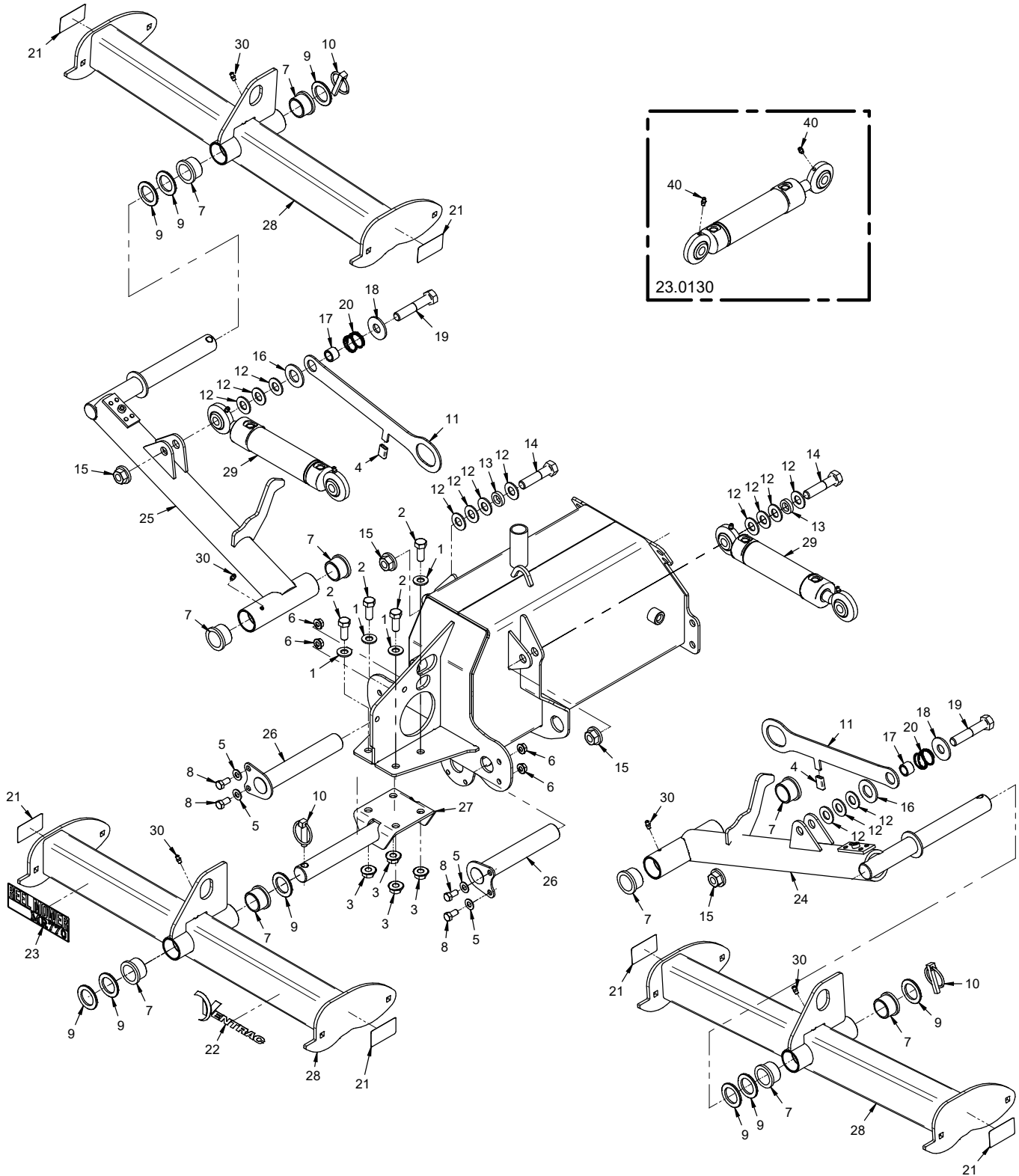
PARTS

Oil Tank Frame & Hitch Frame

REF.	PART NO.	DESCRIPTION	QTY.
1	95.08	Washer, Flat 1/2 SAE	8
2	90.0810	Bolt, 1/2-13 USS x 1-1/4	8
3	99.E0103	Nut, Locking Flange 1/2-13	8
4	90.0504	Bolt, 5/16-18 USS x 1/2IN	2
5	05.0110	Bumper, Neoprene 1IN Dia	2
6	95.06	Washer, Flat 3/8 SAE	8
7	99.A06	Locknut, Stover 3/8-16 USS	2
8	64.1390	Bracket, Front Reel Leveler	2
9	90.0618	Bolt, 3/8-16 USS x 2-1/4	2
10	41.0039	Spring, Comp. 9/16 OD X 5/8	4
11	00.0374	Decal, Hot Surface	1
12	00.0621	Decal, High Pressure Fluid Hazard	2
13	23.0127	Dipstick, Asm 6-3/4IN	1
14	MR-6000	Frame, Oil Tank MR	1
15	05.0208	Grommet	1
16	N/A	Plate, Ventrac Serial Number	1
17	00.0100	Decal, Built in the USA	1
18	00.0619	Decal, Read Operator's Manual	1
19	00.0631	Decal, Finger/Hand Entanglement	1
20	00.0632	Decal, Moving Parts Hazard	1
21	04.0029	Rivet, Pop 1/8IN X 1/4IN SS	2
22	MR-6003	Frame, Hitch MR	1

PARTS

ILLUSTRATED DRAWING Lift Arms & Front Reel Mount



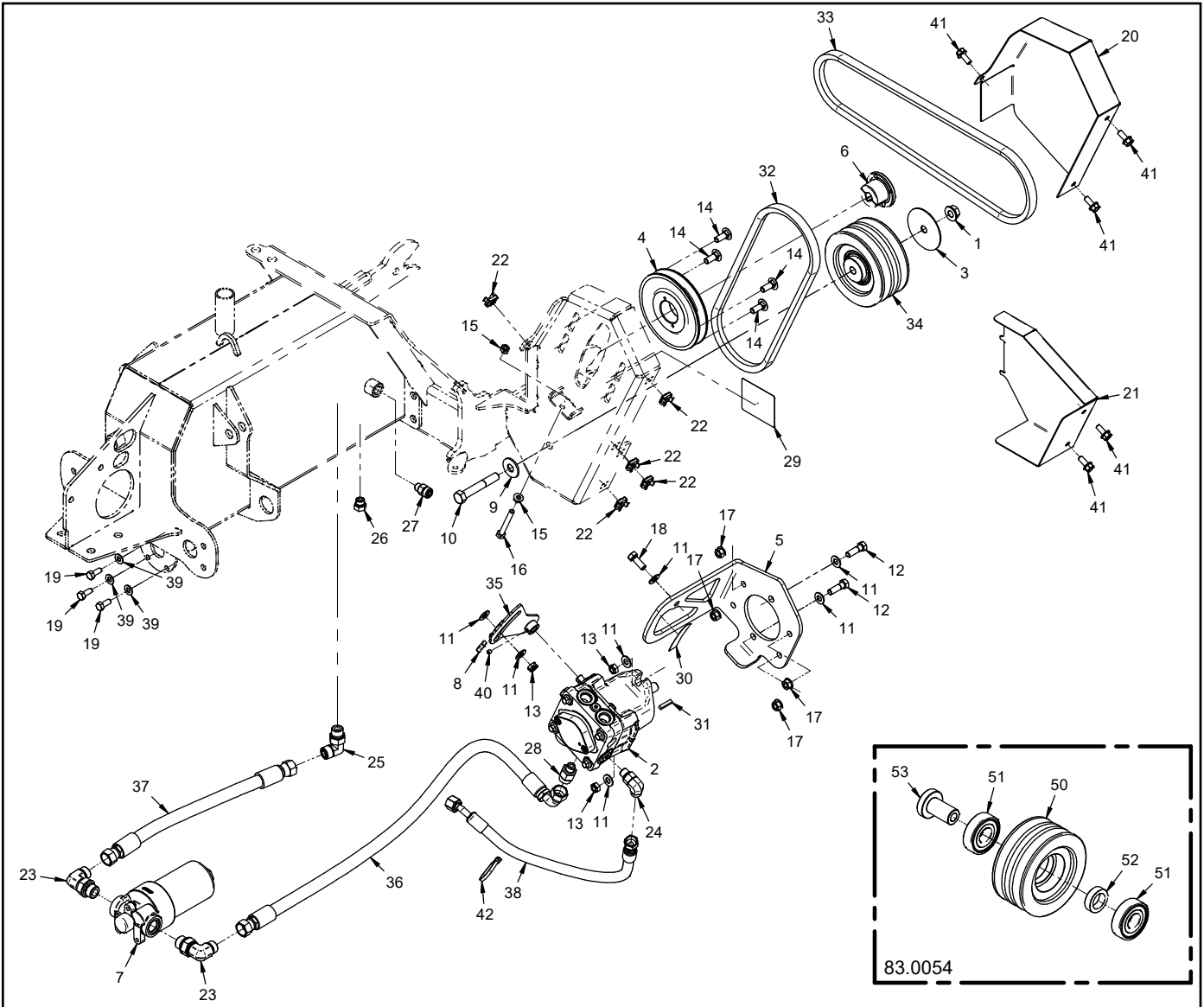
PARTS

Lift Arms & Front Reel Mount

REF.	PART NO.	DESCRIPTION	QTY.
1	95.08	Washer, Flat 1/2 SAE	4
2	90.0810	Bolt, 1/2-13 USS x 1-1/4	4
3	99.E0103	Nut, Locking Flange 1/2-13	4
4	06.0044	Cap, Plastic 1/8 x 1/2 x 7/8	2
5	95.06	Washer, Flat 3/8 SAE	4
6	99.SF06	Nut, SRF 3/8-16 USS	4
7	85.B0060	Bushing, 1-1/4 ID x 1-1/2 OD 1	10
8	90.0606	Bolt, 3/8-16 USS x 3/4	4
9	99.B0024-2	Washer, Mach 1-1/4 x 1-7/8 10 GA	9
10	03.0005	Pin, Linch	3
11	MR-1331	Link, Reel Lift Arm Lock	2
12	95.10	Washer, Flat 5/8 SAE	14
13	MR-1338	Spacer	2
14	90.1022	Bolt, 5/8-11 USS x 2-3/4	2
15	99.E0094	Locknut, 5/8-11 Flanged Stover	4
16	95.14	Washer, Flat 7/8 SAE	2
17	64.1391	Bushing, .635 X 7/8 X 5/8 Long	2
18	94.10	Washer, Flat 5/8 USS	2
19	90.1026	Bolt, 5/8-11 UNC x 3-1/4	2
20	41.0095	Spring, Comp 1.08 Id X .84 Lg	2
21	00.0364	Decal, Warning Pinch Point	6
22	00.0672	Decal, Ventrac Black	1
23	00.0734	Decal, MR770	1
24	MR-6002	Frame, Left Lift Arm Mr740	1
25	MR-6006	Frame, Right Lift Arm	1
26	MR-6008	Pin, Lift Arm Pivot	2
27	64.1388	Mount, Front Pin Reel Mr740	1
28	MR-6005	Frame, Reel Head Carrier MR740	3
29	23.0130	Cylinder, 1-1/2IN X 5IN	2
30	29.GF0001	Grease Ftg, 1/4 SAE ST	5
40	29.GF0001	Grease Ftg, 1/4 SAE ST	2

PARTS

ILLUSTRATED DRAWING Hydraulic Drive



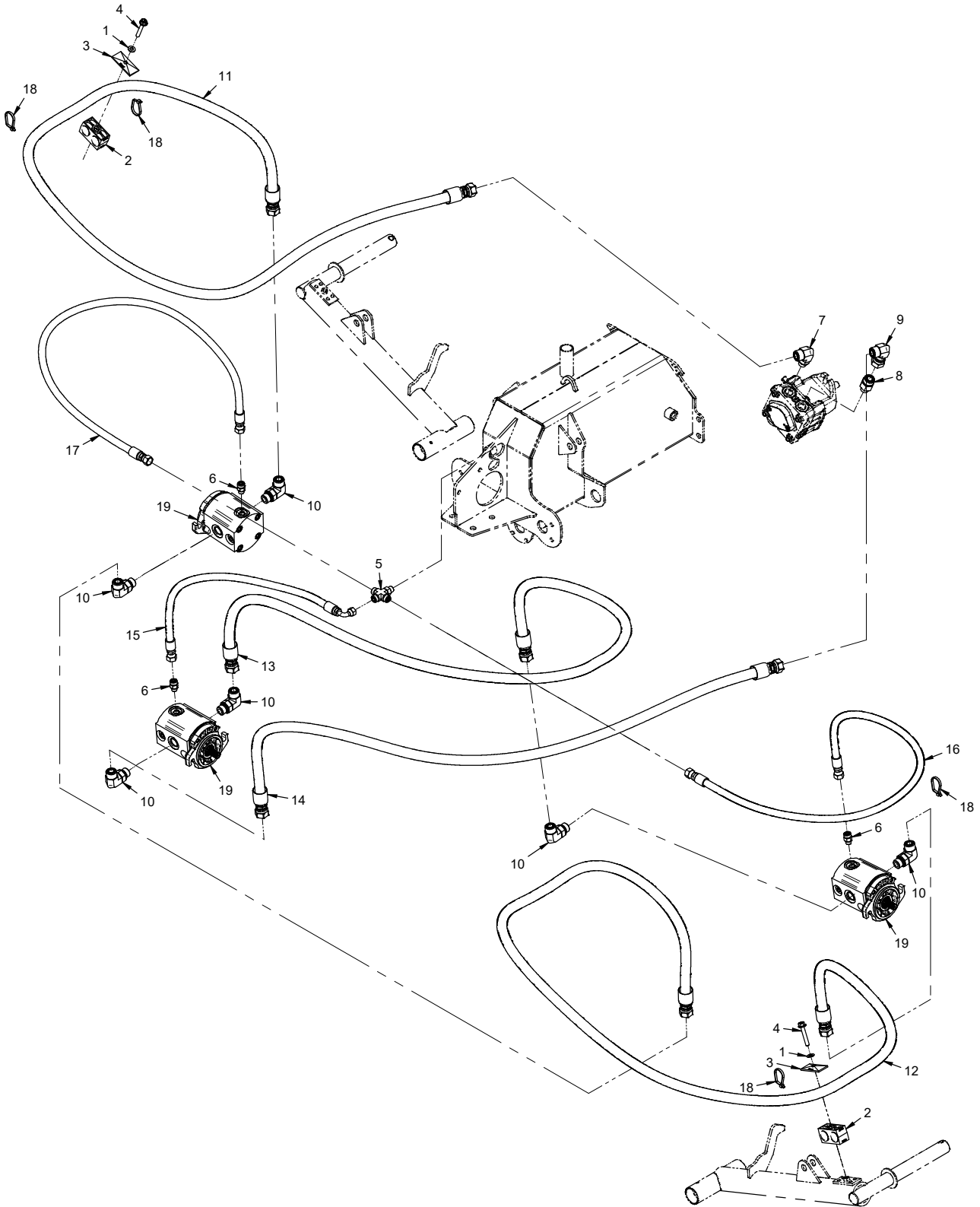
PARTS

Hydraulic Drive

REF.	PART NO.	DESCRIPTION	QTY.
1	99.E0103	.Nut, Locking Flange 1/2-13	1
2	21.0095	.Pump, Hyd. Hydrogear	1
3	60.1279	.Cover, Pulley	1
4	83.BK55H	.Pulley, 5.5IN H-Bushing	1
5	MR-1314	.MR Reel Mower	1
6	83.H15M	.Bushing, 15mm H-Bushing	1
7	21.0137	.Filter, HYD ASM 25 Micron	1
8	06.0044	.Cap, Plastic 1/8 x 1/2 x 7/8	1
9	94.08	.Washer, Flat 1/2 USS	1
10	90.0826	.Bolt, 1/2-13 USS x 3-1/4	1
11	95.06	.Washer, Flat 3/8 SAE	7
12	90.0610	.Bolt, 3/8-16 USS x 1-1/4	2
13	99.A06	.Locknut, Stover 3/8-16 USS	3
14	97.0608	.Bolt, Carriage 3/8-16 x 1	4
15	99.SF05	.Nut, SRF 5/16-18 USS	2
16	90.0520-2	.Bolt, 5/16-18 x 2-1/2 All Thrd	1
17	99.SF06	.Nut, SRF 3/8-16 USS	4
18	90.0608	.Bolt, 3/8-16 USS x 1	1
19	99.M0005	.Bolt, M8 X 1.25 P X 20MM	3
20	MR-1316	.Cover, Pump Belt	1
21	MR-1327	.Cover, Pulley Lower	1
22	99.E0154	.Nut, Cage 5/16-18 (.177 - .197IN)	5
23	25.FF6801-08-10	.Fitting, 90 Elbow 08MFF x 10MB	2
24	25.FF6801-06-06	.Fitting, 90 Elbow - 6MFF X 6MB	1
25	25.FF6801-08-08	.Fitting, 90 Elbow 8MFF x 8MB	1
26	25.6408-06	.Fitting, O-Ring Plug 3/8	1
27	25.FF6400-06-06	.Fitting, Connector -06MFF x -06MB	1
28	25.FF6400-08-06	.Fitting, Connector 8MFF x 6MB	1
29	00.0625	.Decal, Shield Missing	1
30	00.0743	.Decal, Reel Speed	1
31	85.K508	.Key, 5mm Sq x 1IN	1
32	81.B033	.Belt, B33R	1
33	81.B047	.Belt, B47	1
34	83.0054	.Pulley, Idler 2 Groove Asm	1
35	MR-6007	.Lever, Reel Speed Control	1
36	20.0438	.Hose, 1/2 x 30.00 SAE 100R17	1
37	20.0437	.Hose, 1/2 x 15.50 SAE 100R17	1
38	20.0433	.Hose, 3/8 x 19.00 SAE 100R17	1
39	95.05	.Washer, Flat 5/16 SAE	3
40	85.SS23	.Set Screw, M6-1.0 X 10MM ZP	1
41	99.SF0506-1	.Bolt, SMF 5/16-18 USS x 3/4	5
42	30.0204	.Tyton Tie, #50 .190 x 2	1
50	61-20009	.Pulley, Idler 2 Groove	1
51	55.0064	.Bearing, Ball 25 MM x 62 MM	2
52	85.B0085	.Bushing, Bearing Spacer	1
53	85.B0084	.Bushing, Drive Pulley	1

PARTS

ILLUSTRATED DRAWING Hydraulic Motors & Hoses



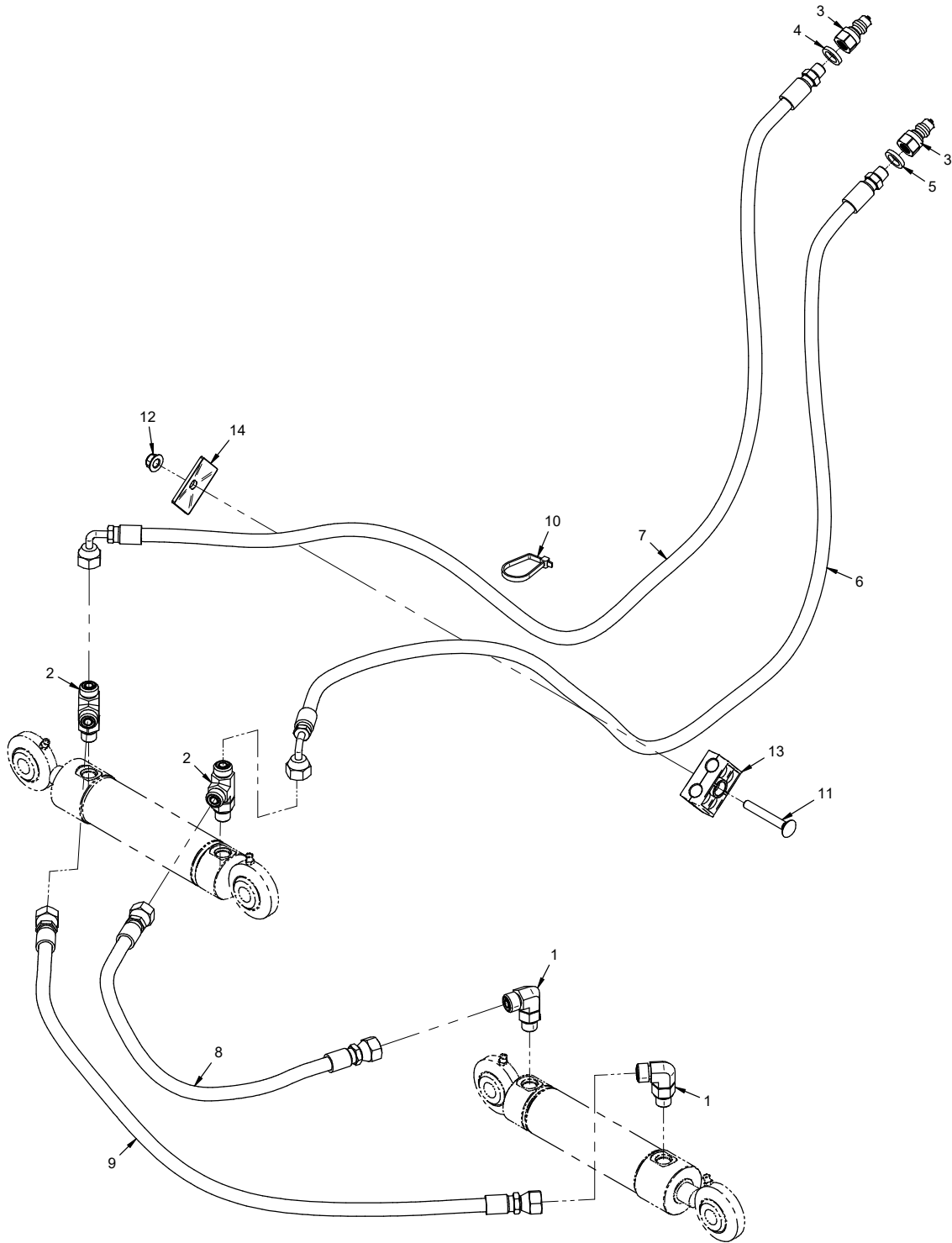
PARTS

Hydraulic Motors & Hoses

REF.	PART NO.	DESCRIPTION	QTY.
1	95.05	Washer, Flat 5/16 SAE	2
2	44.0319	Pipe Clamps Twin Series DIN 3015, Clamp Body	2
3	44.0249	Pipe Clamps Twin Series DIN 3015, Cover Plate GD	2
4	99.SF0516-1	Bolt, SMF 5/16-18 x 2	2
5	25.FF2650-SPOR-06	Fitting, Cross 6MB X 6 MFF	1
6	25.FF6400-06-06	Fitting, Connector -06MFF x -06MB	3
7	25.FF6801-10-08	Fitting, 90 Elbow -10MF x -08MB	1
8	25.FF6400-10-08	Fitting, Connector -10MF x -08MB	1
9	25.FF6500-10-10	Fitting, 90 Elbow -10MF x -10FF	1
10	25.FF6801-10-10	Fitting, 90 Elbow -10MF x -10MB	6
11	20.0426	Hose, 5/8 x 86.00 SAE 100R17	1
12	20.0427	Hose, 5/8 x 112.00 SAE 100R17	1
13	20.0428	Hose, 5/8 x 83.00 SAE 100R17	1
14	20.0429	Hose, 5/8 x 64.00 SAE 100R17	1
15	20.0432	Hose, 3/8 x 27.00 SAE 100R17	1
16	20.0430	Hose, 3/8 x 58.00 SAE 100R17	1
17	20.0431	Hose, 3/8 x 54.00 SAE 100R17	1
18	30.0204	Tyton Tie, #50 .190 x 12IN	4
19	21.0176	Motor, Hyd Casappa 26.5cc	3

PARTS

ILLUSTRATED DRAWING Lift Arm Hydraulic Hoses



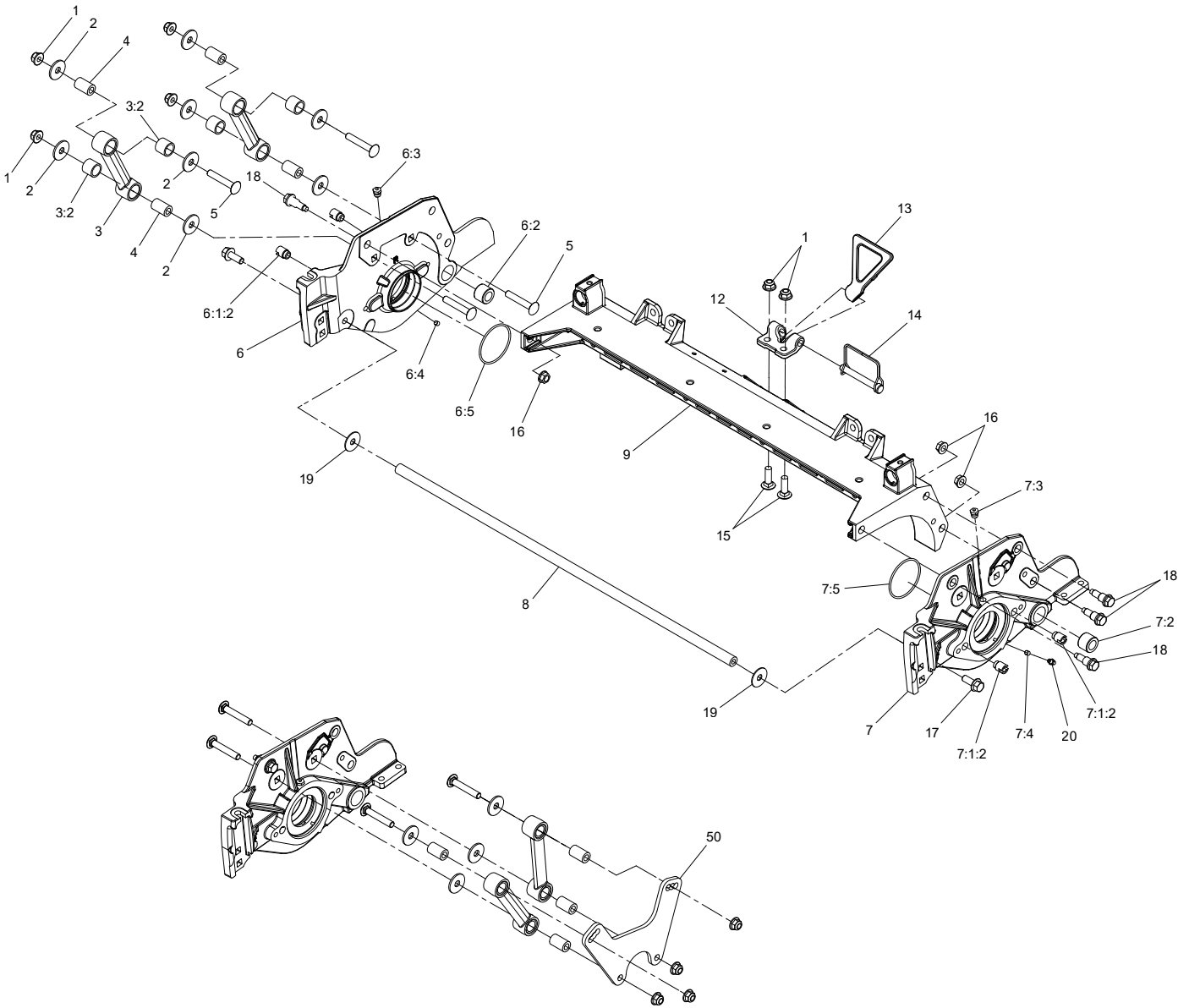
PARTS

Lift Arm Hydraulic Hoses

REF.	PART NO.	DESCRIPTION	QTY.
1	25.FF6801-06-06	Fitting, 90 Elbow - 6MFF X 6MB	2
2	25.FF6804-6-6-6	Fitting, Tee 6MB X 6MFF X 6MFF	2
3	23.0104	Coupler, Quick Male 1/4	2
4	05.0116	Washer, .544 ID x .817 x .14 Red	1
5	05.0117	Washer, .544 ID x .817 x .14 Yel	1
6	20.0436	Hose, 1/4 x 63.00 SAE 100R17	1
7	20.0436	Hose, 1/4 x 63.00 SAE 100R17	1
8	20.0434	Hose, 1/4 x 18.00 SAE 100R17	1
9	20.0435	Hose, 1/4 x 30.00 SAE 100R17	1
10	30.0204	Tyton Tie, #50 .190 x 12IN	1
11	97.0520	Bolt, Carriage 5/16-18 x 2 1/2	1
12	99.E0102	Nut, Locking Flange 5/16-18	1
13	44.0256	Clamp, Hyd Hose 12.7mm ID 2 Cavity (Set of 2)	1
14	44.0229	Cover Plate, Group 2D (2 Cavity)	1

PARTS

ILLUSTRATED DRAWING Frame Assembly



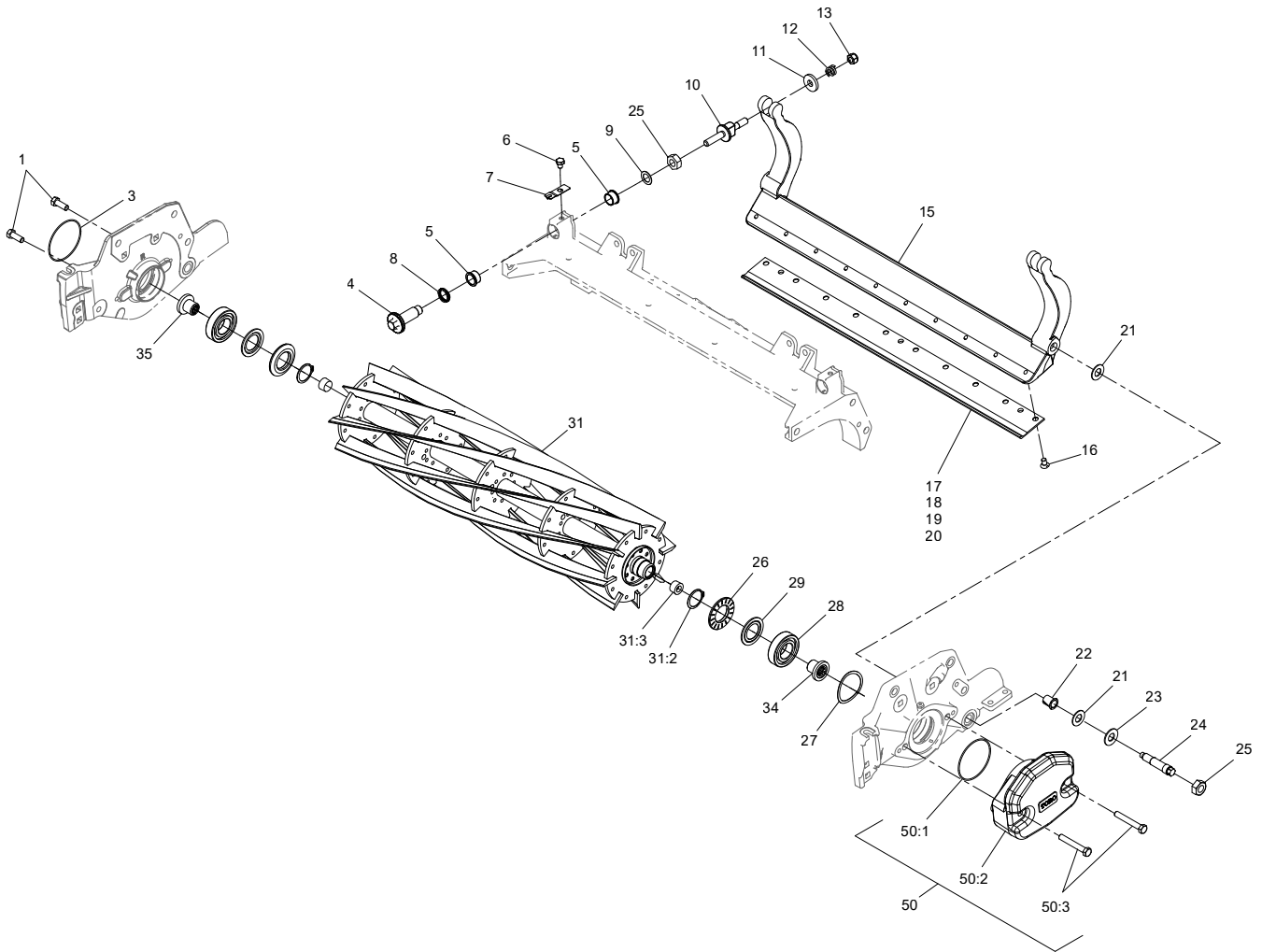
PARTS

Frame Assembly

REF.	PART NO.	DESCRIPTION	QTY.
1	TT-104-8301	Nut - HF, NI	10
2	TT-93-8806	Washer-Hardened	16
3	TT-16-9759	Link ASM	4
3:2	TT-94-8945	Bushing	2
4	TT-93-6981	Spacer	8
5	TT-3231-40	Bolt-CARR	8
6	TT-137-5979	Side Plate-7IN LD Trim RH ASM	1
6:1:2	TT-127-7149	Insert-Threaded, Side Plate	2
6:2	TT-106-9618	Bushing-Rubber	1
6:3	TT-302-39	Fitting-Plug	1
6:4	TT-3245-35	Screw-Set, HSH	1
6:5	TT-117-8177	O-Ring	1
7	TT-137-5976	Side Plate-7IN LD Trim LH ASM	1
7:1:2	TT-127-7149	Insert-Threaded, Side Plate	2
7:2	TT-106-9618	Bushing-Rubber	1
7:3	TT-302-39	Fitting-Plug	1
7:4	TT-3245-35	Screw-Set, HSH	1
7:5	TT-117-8177	O-Ring	1
8	TT-112-8936	Tube-Support	1
9	TT-112-8935	Frame-Center	1
12	TT-110-4058	Bracket-Chain	1
13	TT-119-8010-03	Kickstand (Optional)	1
14	TT-107-7400	Pin-Lynch	1
15	TT-3231-25	Bolt-CARR	2
16	TT-3290-357	Nut-HHF, Whiz	6
17	TT-3234-11	Screw-HHF	2
18	TT-107-2979	Bolt-Shoulder	6
19	TT-130-8094	Washer-Plain	2
20	TT-302-5	Fitting-Grease	1
50	TT-140-5515-03	Plate-Fixed Cu [black] (Optional)	1

PARTS

ILLUSTRATED DRAWING Reel & Bedbar Assembly



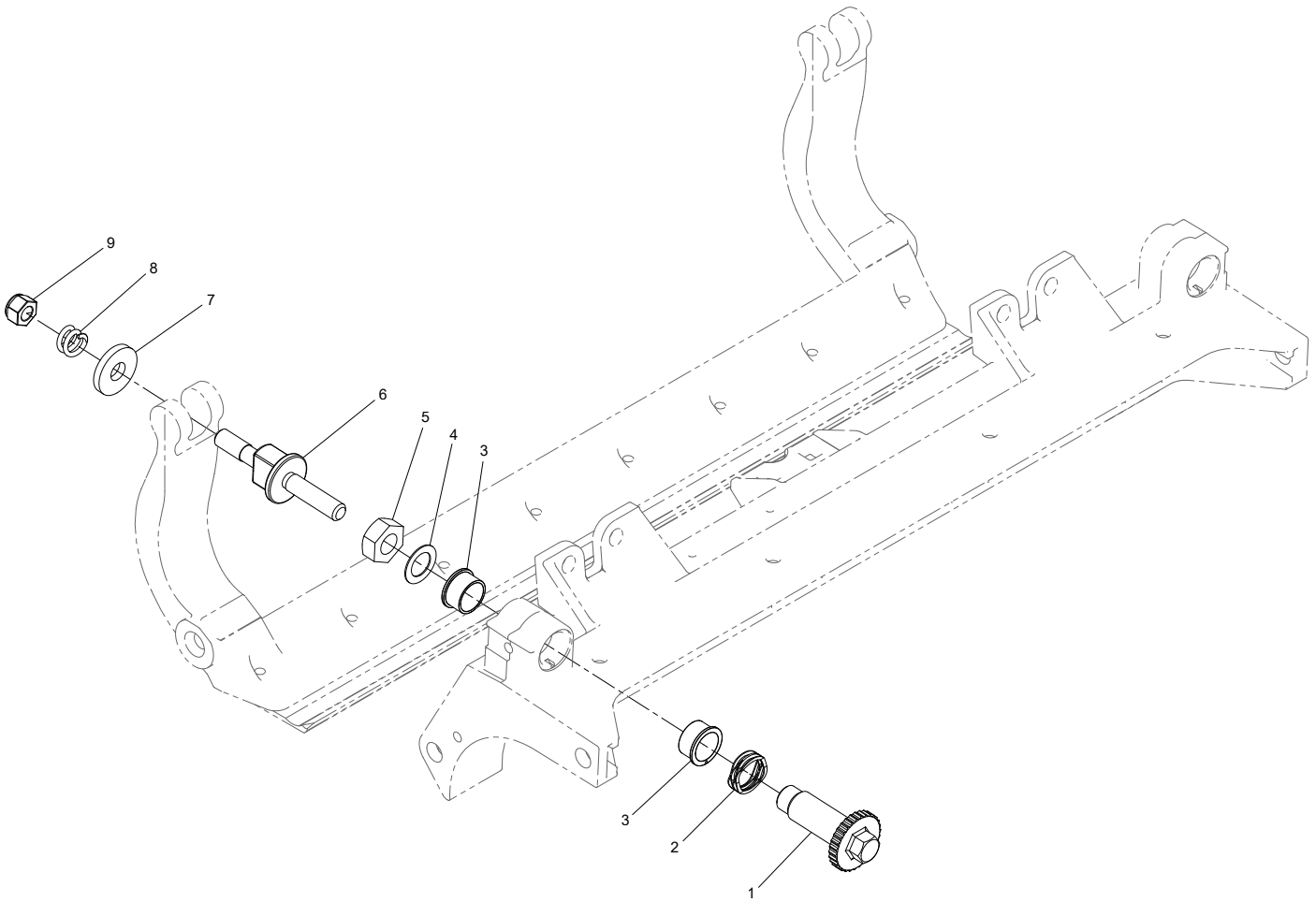
PARTS

Reel & Bedbar Assembly

REF.	PART NO.	DESCRIPTION	QTY.
1	TT-323-6	Screw-HH	2
3	TT-112-6967	O-Ring	1
4	TT-120-5118	Shaft-Adjuster	2
5	TT-106-5344	Bushing-Flange, Keyed	4
6	TT-119-4067	Screw-HH	2
7	TT-99-2097	Detent	2
8	TT-120-5116	Washer-Wave	2
9	TT-108-0015	Washer-Flat	2
10	TT-137-6130	Screw-Adjuster, Bedbar	2
11	TT-119-4155	Washer-Hardened	2
12	TT-120-5120	Spring-Compression	2
13	TT-119-4039	Nut-Hex, NI	2
15	TT-112-8908-01	Bedbar	1
16	TT-119-4151	Screw-Bedknife	10
17	TT-114-9388	Bedknife-STD (Optional)	1
18	TT-112-8910	Bedknife-Edgemax (Optional)	1
19	TT-114-9390	Bedknife-HD	1
20	TT-120-1641	Bedknife-Low HOC EXT (Optional)	1
21	TT-61-1950	Washer-Plastic	4
22	TT-56-9520	Bushing-Flanged	2
23	TT-69-8980	Washer	2
24	TT-106-9623	Bolt-Bedbar	2
25	TT-3296-33	Nut-Lock, NI	4
26	TT-127-4284	Washer-Special	2
27	TT-115-5258	Spring-Wire, Flat	1
28	TT-115-3296	Bearing-Sealed	2
29	TT-115-3299	Seal-Flocked	2
31	TT-137-8470	Edge Series Fairway Reel, (27IN) 8 Bld LD(Rr)	1
31:2	TT-92-2601	Ring-Retaining	2
31:3	TT-127-7118	Plug-Shaft, Reel	2
34	TT-127-7111	Insert-Threaded, 7 Inch (LH)	1
35	TT-127-7109	Insert-Threaded, 7 Inch (RH)	1
45	TT-120-7230	Rm HD DPA MVP Kit (Not Illustrated) (Optional)	1
50	TT-133-8260	Weight Kit (Cutting Unit) (Optional)	1
50:1	TT-112-6967	O-Ring	3
50:2	TT-119-0614-01	Weight-End	3
50:3	TT-323-12	Screw-HH	6

PARTS

ILLUSTRATED DRAWING Optional Heavy-Duty MVP Kit #TT-120-7230



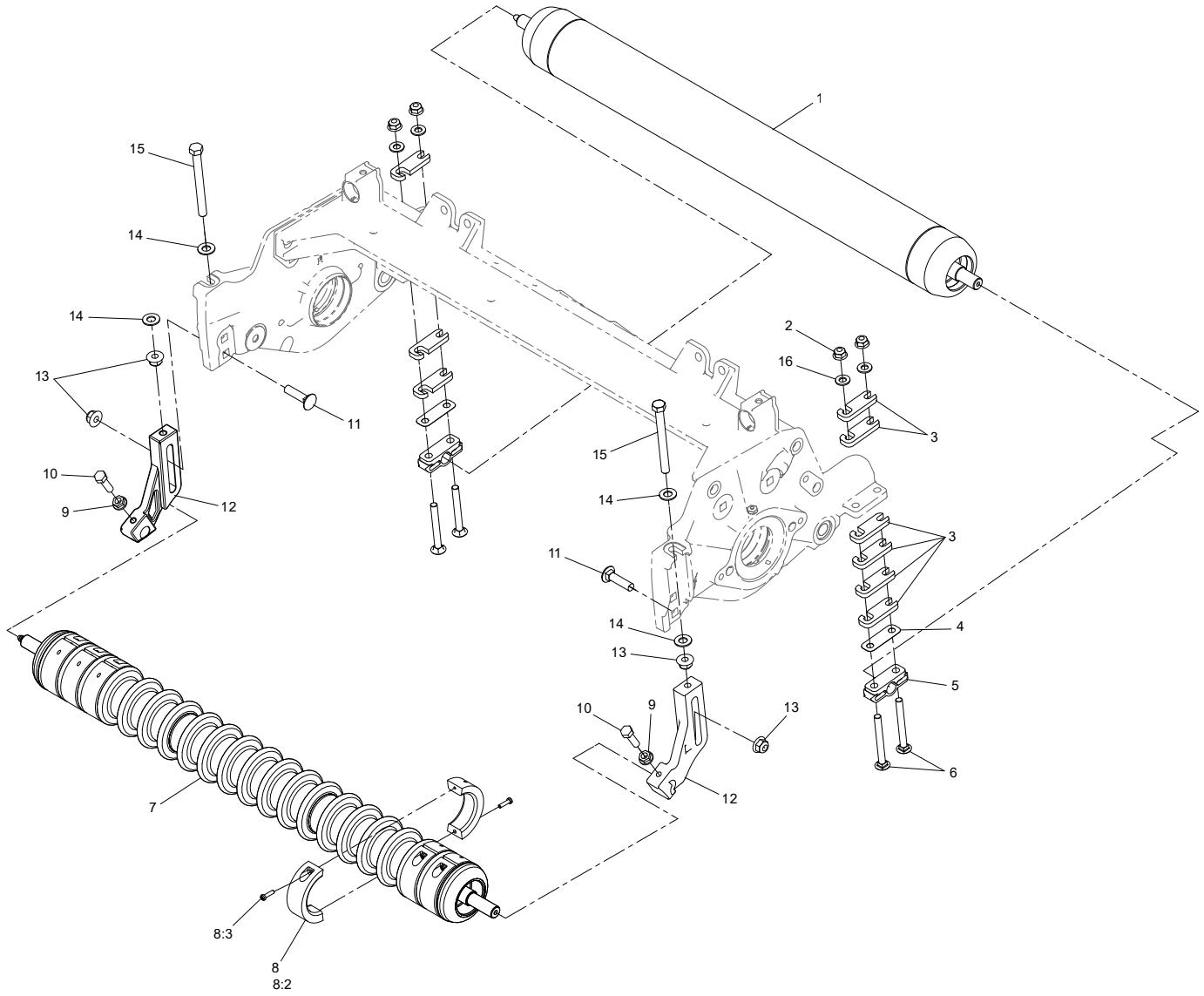
PARTS

Optional Heavy-Duty MVP Kit #TT-120-7230

REF.	PART NO.	DESCRIPTION	QTY.
1	TT- 120-5188	.Shaft-Adjuster	2
2	TT-120-5116	.Washer-Wave	2
3	TT-106-5344	.Bushing-Flange, Keyed	4
4	TT-108-0015	.Washer-Flat	2
5	TT-3296-33	.Nut-Lock, NI	2
6	TT-137-6130	.Screw-Adjuster, Bedbar	2
7	TT-119-4155	.Washer-Hardened	2
8	TT-120-5120	.Spring-Compression	2
9	TT-119-4039	.Nut-Hex, NI	2

PARTS

ILLUSTRATED DRAWING Roller Assembly



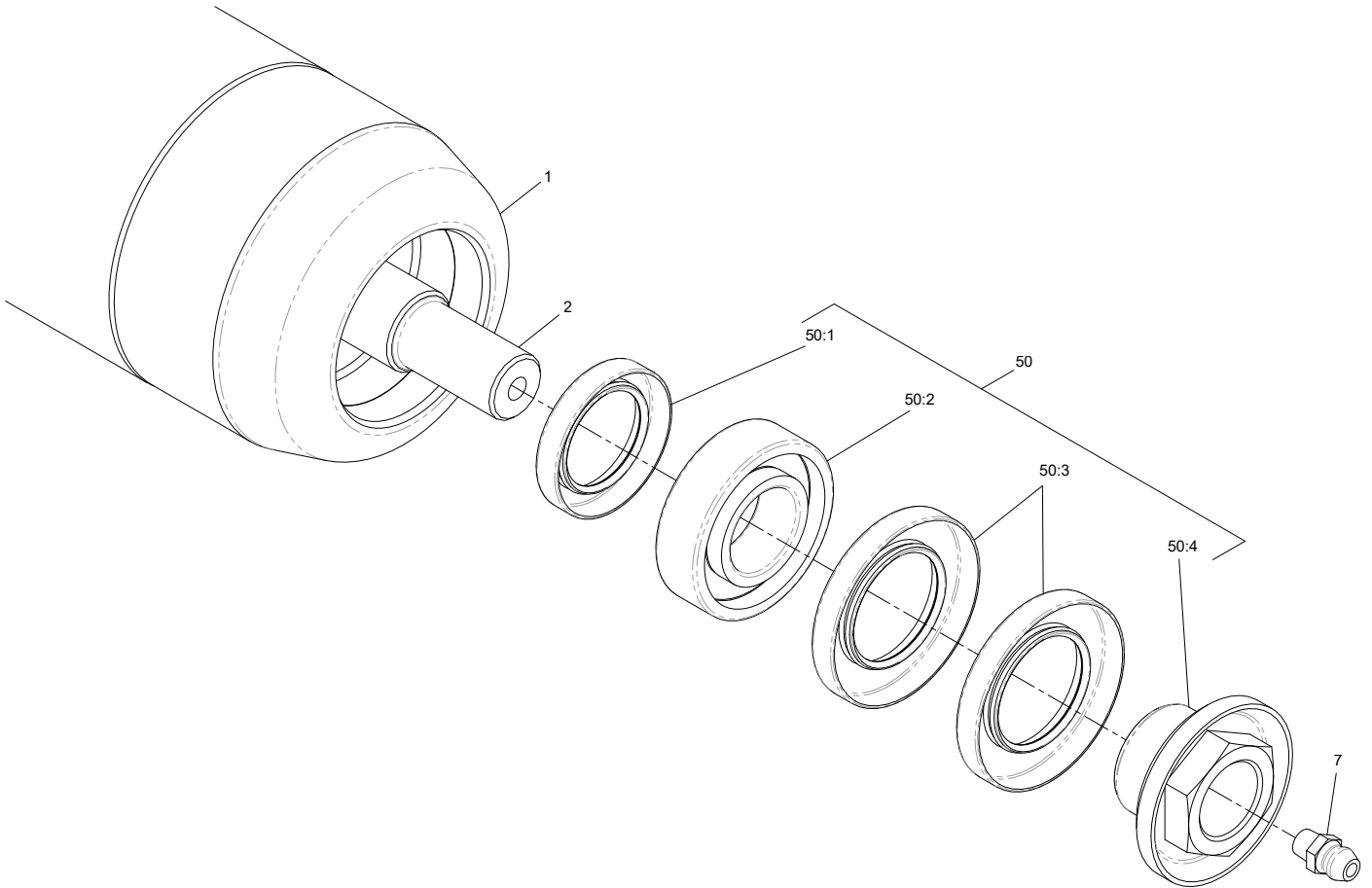
PARTS

Roller Assembly

REF.	PART NO.	DESCRIPTION	QTY.
1	TT-137-6118	Short Rear Roller ASM (3IN DIA)(27IN) (Not Illustrated) (Optional)	1
1	TT-137-6120	Long Rear Roller ASM (3IN DIA)(27IN)	1
2	TT-104-8300	Nut-HF, NI.	4
3	TT-119-0626	Shim-Roller	12
4	TT-140-5530	Shim-Roller (.01IN)	2
5	TT-106-3924	Bracket-Roller, Rear	2
6	TT-3230-26	Screw-CARR	4
7	TT-117-0960	Plastic Wiehle Roller ASM.	1
7	TT-119-0630	Plastic Shoulder Roller ASM (27IN) (Not Illustrated) (Optional)	1
7	TT-137-6121	Full Front Roller ASM (3IN DIA)(27IN) (Not Illustrated) (Optional)	1
8	TT-119-0649	Trim/HD Collar Kit (Optional)	1
8:2	TT-119-1604	Collar-Trim/HD	2
8:3	TT-104-1835	Screw	2
9	TT-32128-20	Nut-HF	2
10	TT-322-16	Screw-HH	2
11	TT-3231-4	Screw-CARR	2
12	TT-120-0404	Bracket-High HOC (LH)	1
12	TT-120-0405	Bracket-High HOC (RH)	1
13	TT-104-8301	Nut-HF, NI.	4
14	TT-48-9220	Washer-Plain	4
15	TT-140-5522	Screw-HHF 5/8, Patch	2
16	TT-94-6936	Washer-Hardened	4
50	TT-137-0890	Rm DPA High HOC Kit (F18 & Up) (Not Illustrated) (Optional)	1

PARTS

ILLUSTRATED DRAWING Long Roller Assembly #TT-112-8915



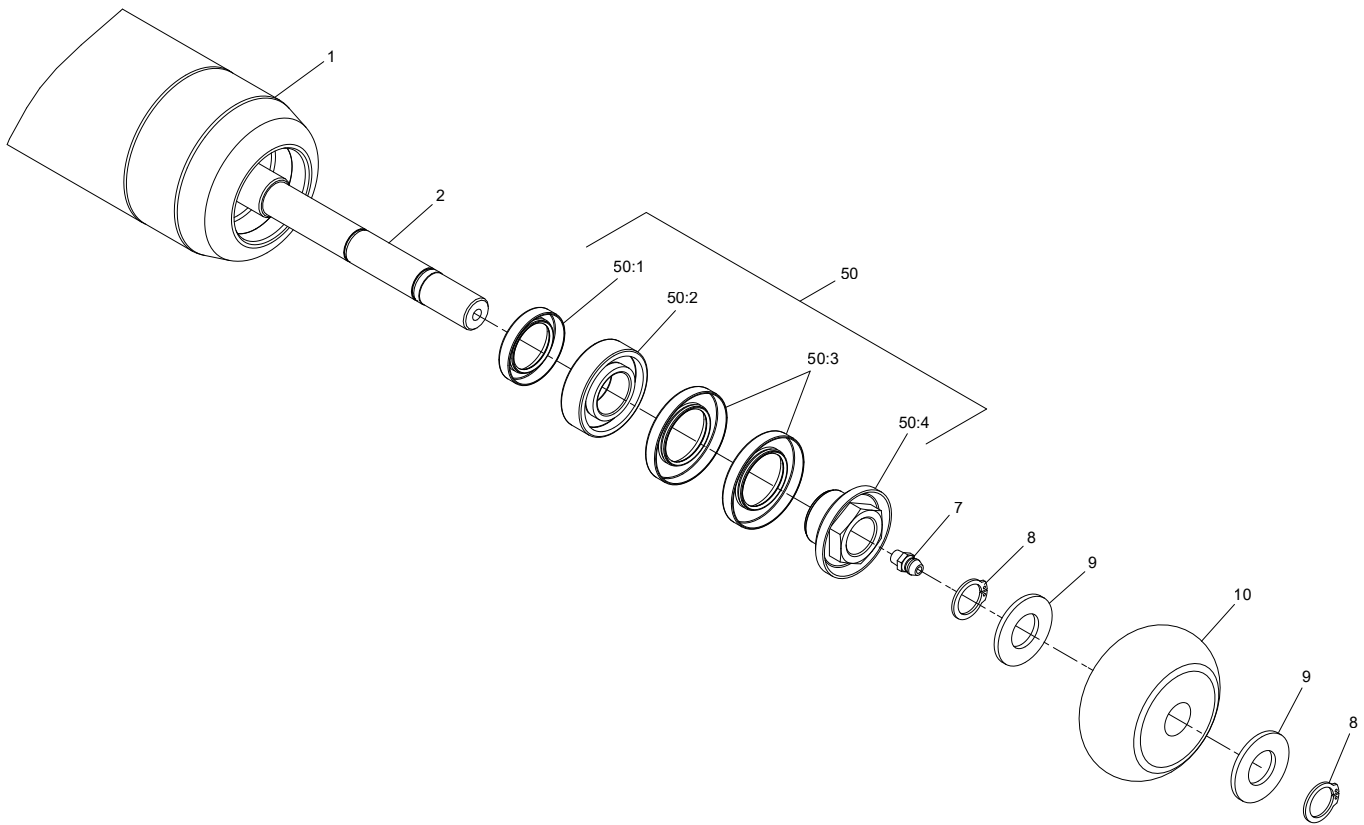
PARTS

Long Roller Assembly #TT-112-8915

REF.	PART NO.	DESCRIPTION	QTY.
1	TT-112-8916-03	Tube-Roller, Long	1
2	TT-112-8918	Shaft-Long, Rear Roller	1
7	TT-302-5	Fitting-Grease	2
50	TT-114-5430	Roller Rebuild Kit	1
50:1	TT-114-3717	Seal-Oil	2
50:2	TT-112-5290	Bearing-Steel, Stainless	2
50:3	TT-112-7494	Seal	4
50:4	TT-114-5411	Nut-Lock, Bearing	2

PARTS

ILLUSTRATED DRAWING Optional Short Roller Assembly #TT-119-4286



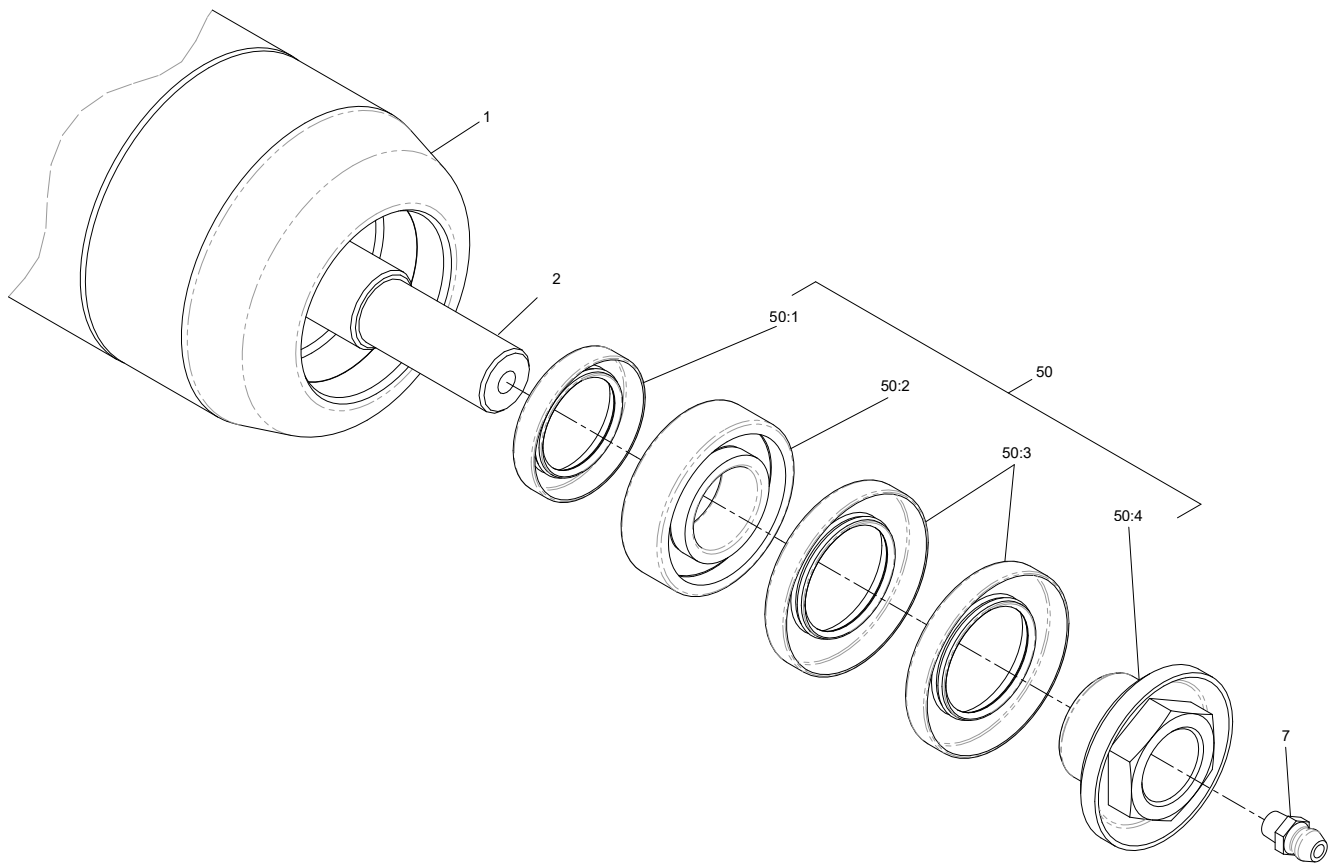
PARTS

Optional Short Roller Assembly #TT-119-4286

REF.	PART NO.	DESCRIPTION	QTY.
1	TT-115-8296-03	Tube-Roller (Short)	1
2	TT-119-4287	Shaft-Rear Roller, 27 Inch.	1
7	TT-302-5	Fitting-Grease	2
8	TT-32151-62	Ring-Retaining	4
9	TT-119-1868	Washer	4
10	TT-119-4276	Roller-Tipper.	2
50	TT-114-5430	Roller Rebuild Kit.	1
50:1	TT-114-3717	Seal-Oil	2
50:2	TT-112-5290	Bearing-Steel, Stainless	2
50:3	TT-112-7494	Seal	4
50:4	TT-114-5411	Nut-Lock, Bearing	2

PARTS

ILLUSTRATED DRAWING Optional Full Front Roller Assembly #TT-114-9383



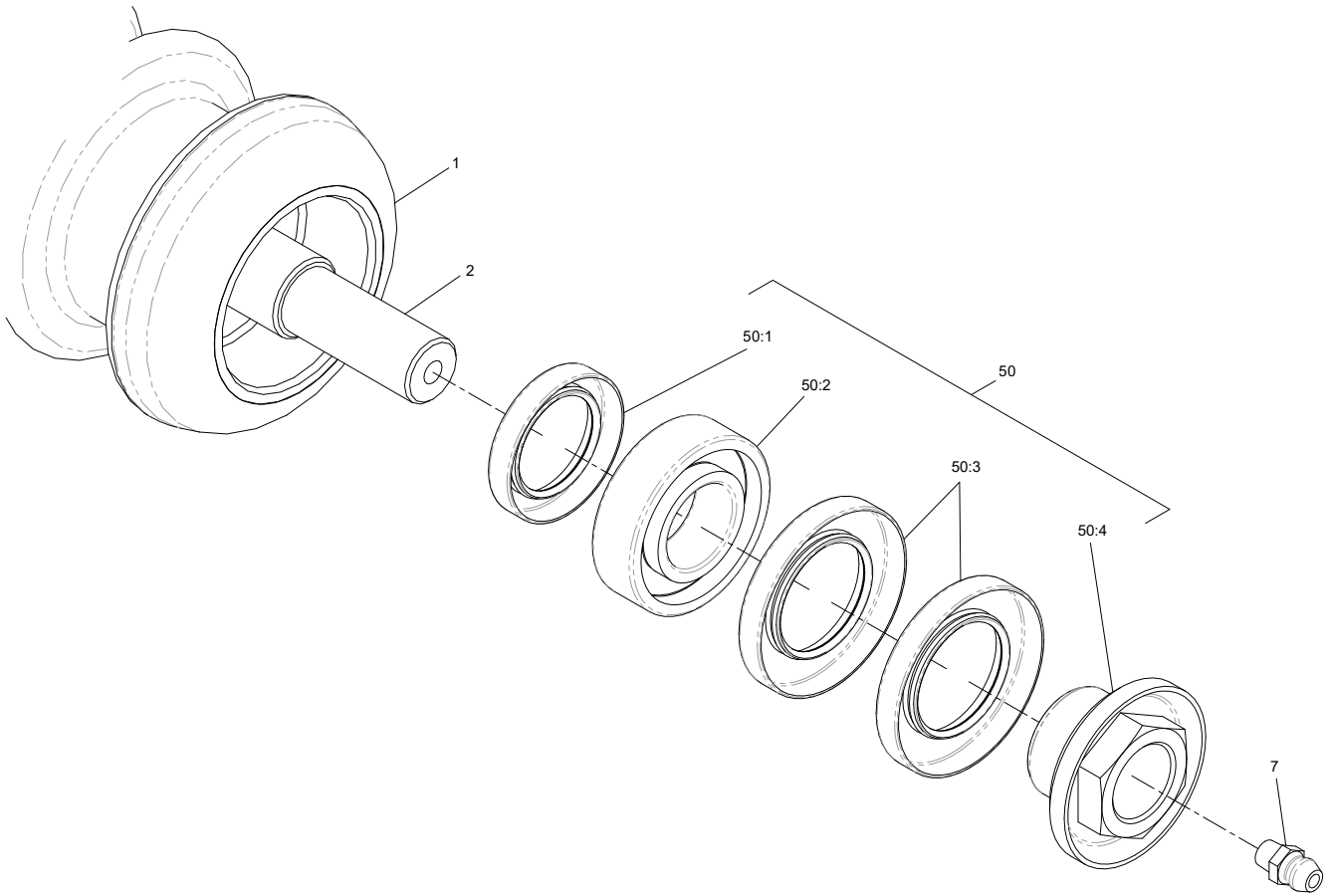
PARTS

Optional Full Front Roller Assembly #TT-114-9383

REF.	PART NO.	DESCRIPTION	QTY.
1	TT-112-8916-03	Tube-Roller, Long	1
2	TT-117-0957	Shaft-Roller, Wiehle	1
7	TT-302-5	Fitting-Grease	2
50	TT-114-5430	Roller Rebuild Kit	1
50:1	TT-114-3717	Seal-Oil	2
50:2	TT-112-5290	Bearing-Steel, Stainless	2
50:3	TT-112-7494	Seal	4
50:4	TT-114-5411	Nut-Lock, Bearing	2

PARTS

ILLUSTRATED DRAWING Wiehle Roller Assembly #TT-117-0960



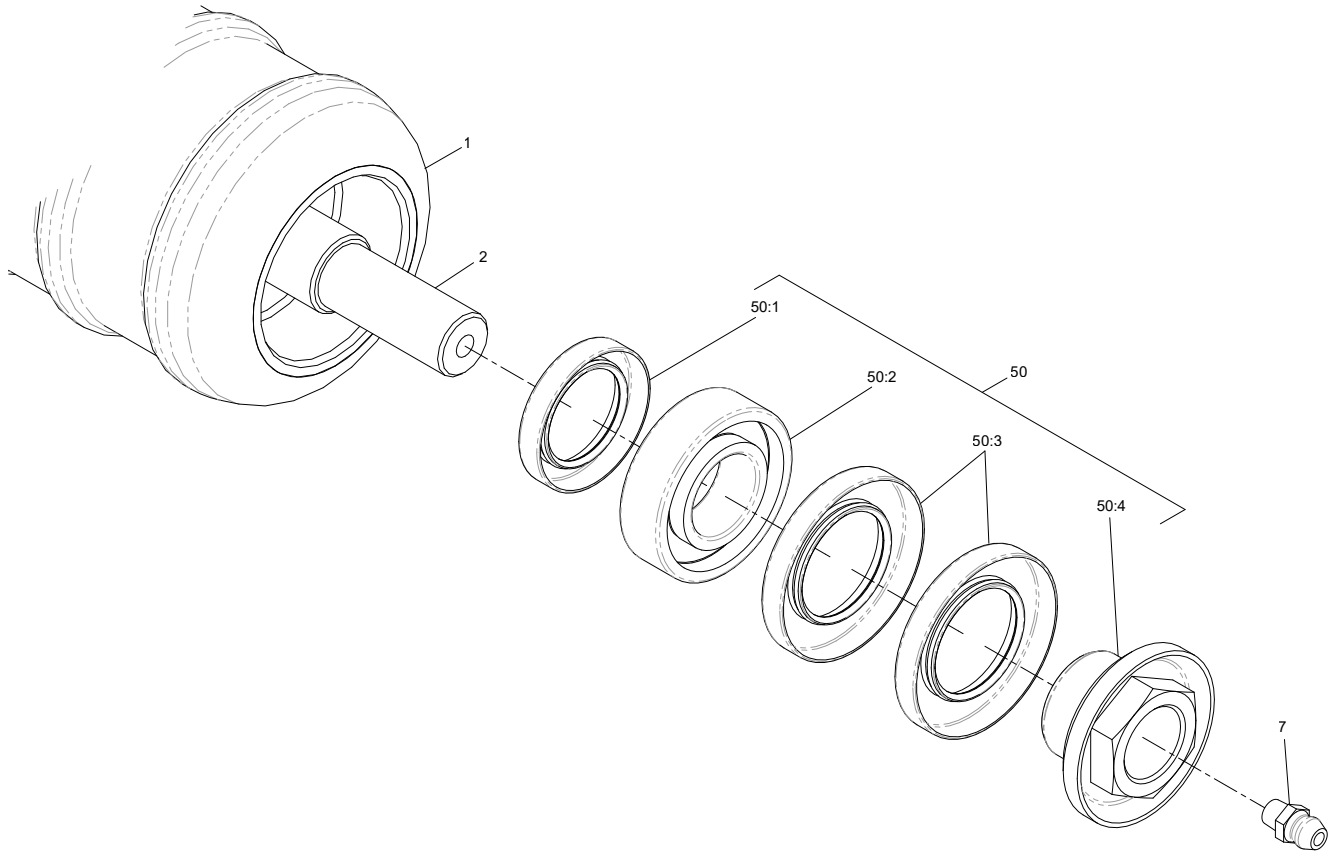
PARTS

Wiehle Roller Assembly #TT-117-0960

REF.	PART NO.	DESCRIPTION	QTY.
1	TT-117-0959	Roller-Wiehle, Plastic	1
2	TT-117-0957	Shaft-Roller, Wiehle	1
7	TT-302-5	Fitting-Grease	2
50	TT-114-5430	Roller Rebuild Kit	1
50:1	TT-114-3717	Seal-Oil	2
50:2	TT-112-5290	Bearing-Steel, Stainless	2
50:3	TT-112-7494	Seal	4
50:4	TT-114-5411	Nut-Lock, Bearing	2

PARTS

ILLUSTRATED DRAWING Optional Shoulder Roller Assembly #TT-119-0630



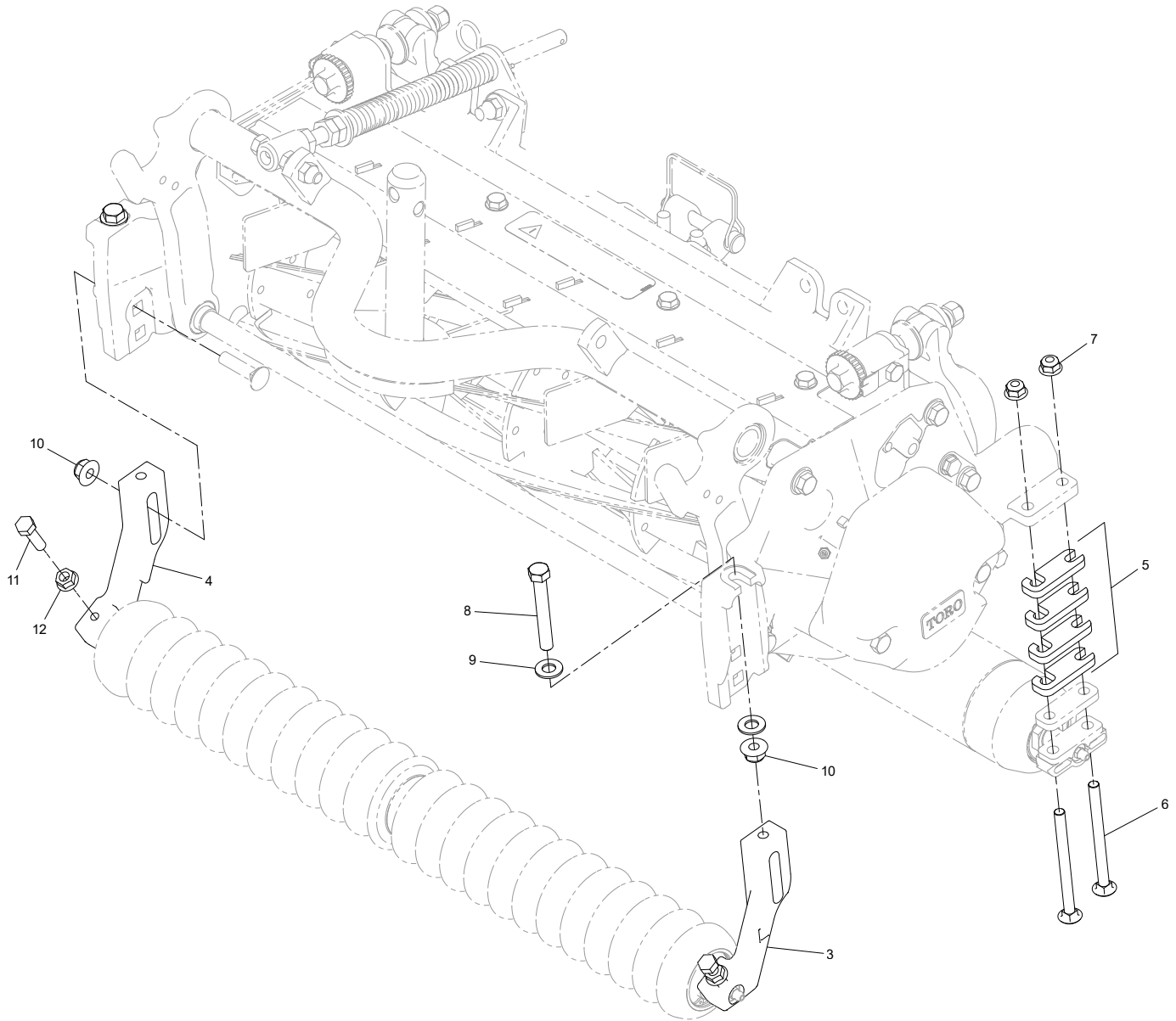
PARTS

Optional Shoulder Roller Assembly #TT-119-0630

REF.	PART NO.	DESCRIPTION	QTY.
1	TT-119-0631	Roller-Shoulder, Plastic	1
2	TT-117-0957	Shaft-Roller, Wiehle	1
7	TT-302-5	Fitting-Grease	2
50	TT-114-5430	Roller Rebuild Kit	1
50:1	TT-114-3717	Seal-Oil	2
50:2	TT-112-5290	Bearing-Steel, Stainless	2
50:3	TT-112-7494	Seal	4
50:4	TT-114-5411	Nut-Lock, Bearing	2

PARTS

ILLUSTRATED DRAWING Optional High Height-of-Cut Assembly #TT-110-9600



PARTS

Optional High Height-of-Cut Assembly #TT-110-9600

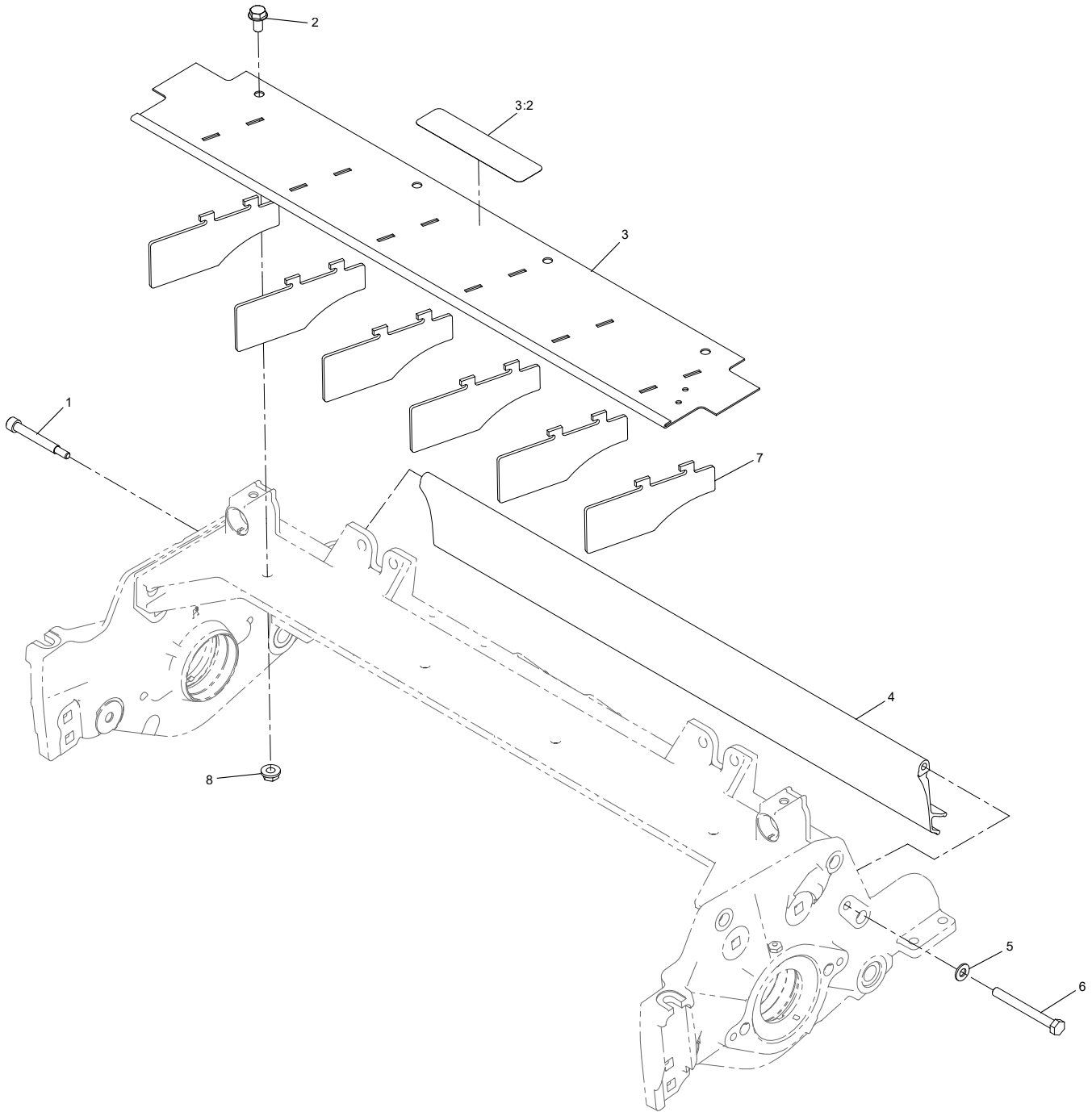
REF.	PART NO.	DESCRIPTION	QTY.
3	TT-120-0404	.Bracket-High HOC, LH	1
4	TT-120-0405	.Bracket-High HOC, RH	1
5	TT-119-0626	.Shim-Roller	8
6	TT-106-9758	.Screw-CARR	4
6	TT-3230-30	.Screw-CARR• *	4
7	TT-104-8300	.Nut-0Flange, NI	4
8	TT-112-7451	.Screw-TAP	2
9	TT-48-9220	.Washer	4
10	TT-104-8301	.Nut-Flange, NI	4
11	TT-322-16	.Screw-HH	2
12	TT-32128-20	.Nut-HF	2

• Not Illustrated

* Optional Equipment

PARTS

ILLUSTRATED DRAWING Shield Assembly



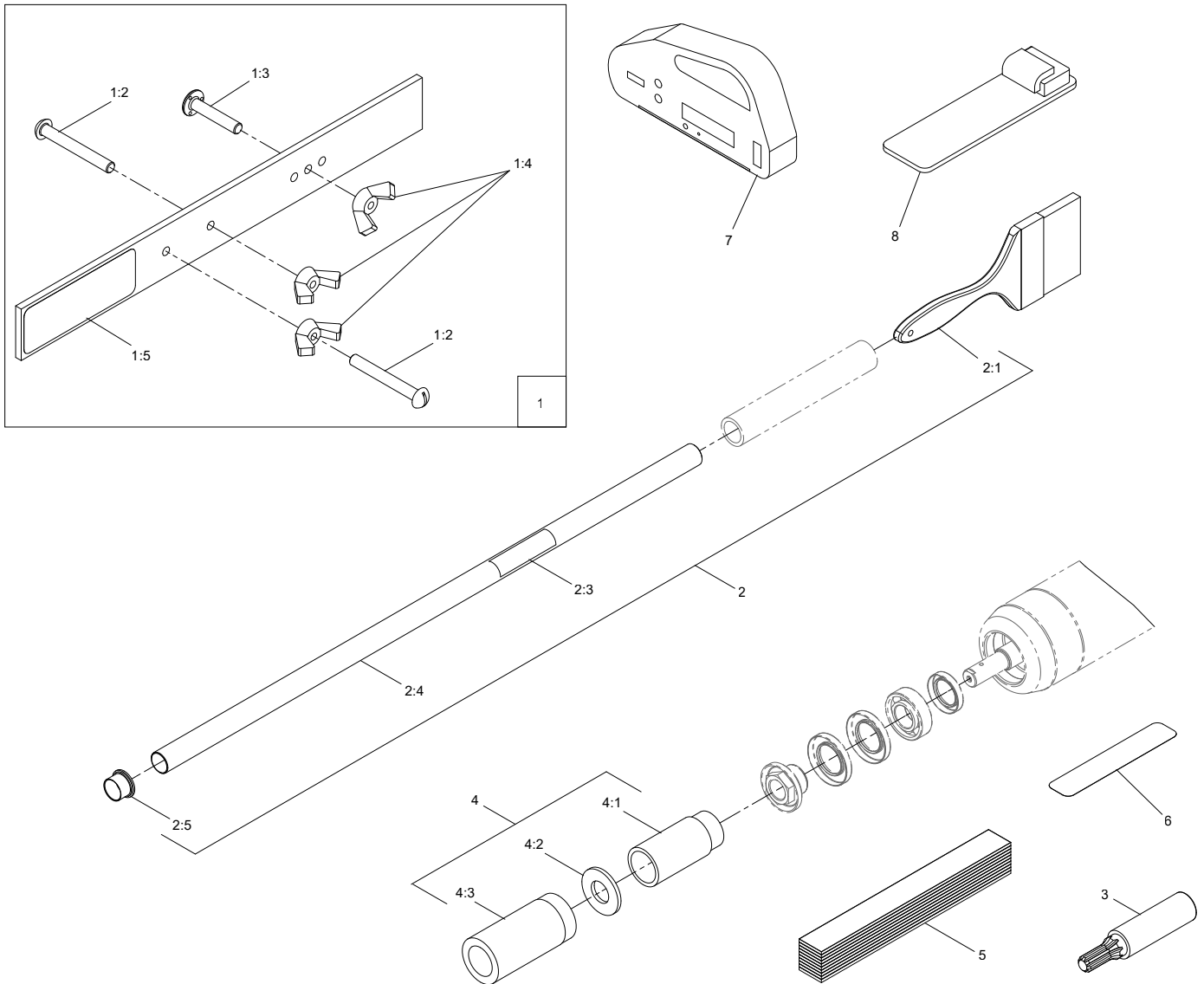
PARTS

Shield Assembly

REF.	PART NO.	DESCRIPTION	QTY.
1	TT-107-7773	Screw-HSH	1
2	TT-3234-7	Screw-HHF	4
3	TT-112-8942	Front Grass Shield ASM	1
3:2	TT-137-9706	Decal-Warning	1
4	TT-125-1997	Shield-Grass, Rear	1
5	TT-3256-74	Washer-Flat	1
6	TT-322-14	Screw-HH	1
7	TT-110-1706	Deflector	6
8	TT-32128-20	Nut-HF	4

PARTS

ILLUSTRATED DRAWING Optional Tool Assembly



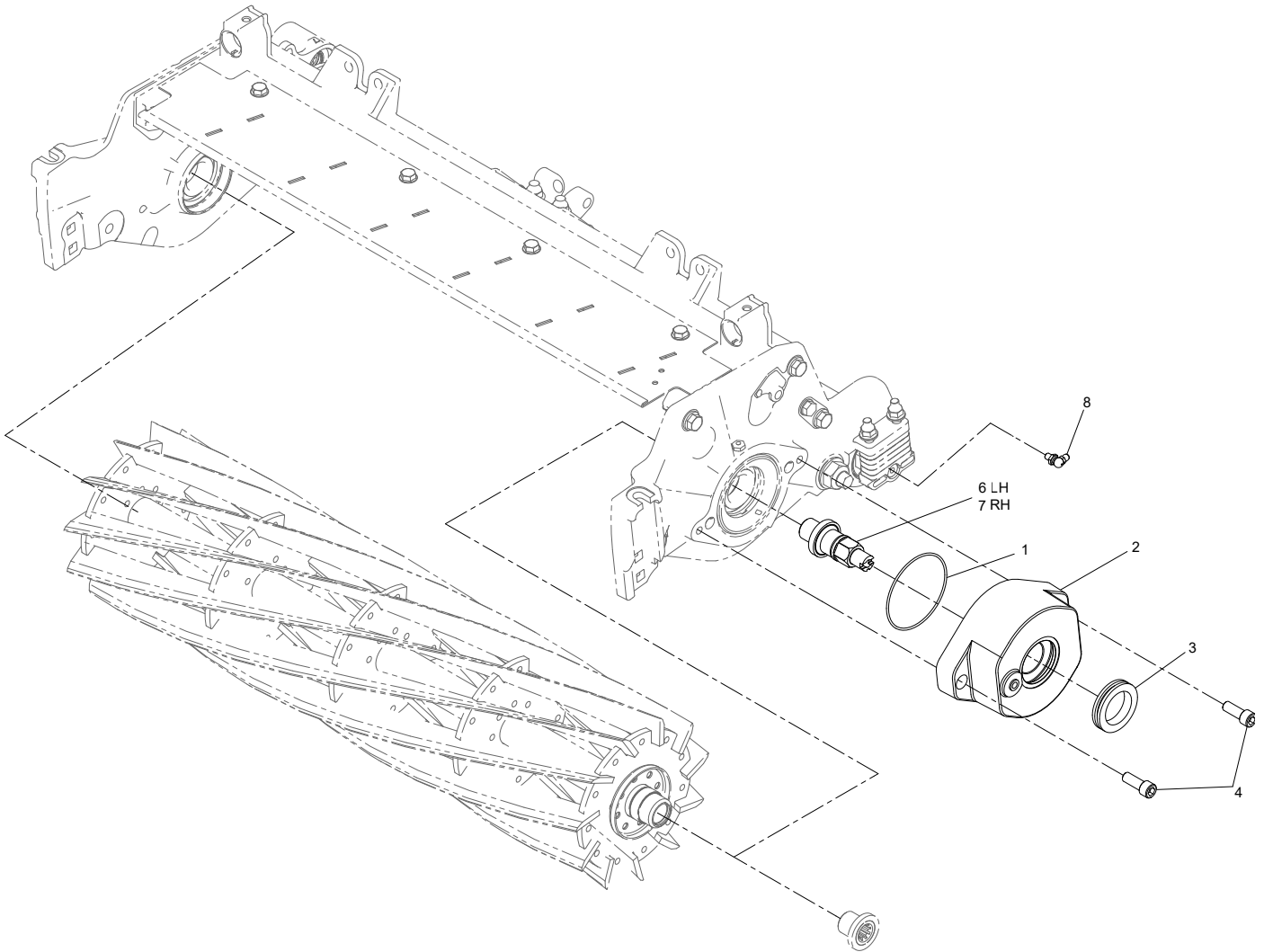
PARTS

Optional Tool Assembly

REF.	PART NO.	DESCRIPTION	QTY.
1	TT-108-6715	Gauge Bar ASM	1
1:2	TT-32122-54	Screw-Head, Truss	2
1:3	TT-108-6714	Stud-Weld	1
1:4	TT-32103-3	Nut-Wing	3
1:5	TT-108-6712	Decal-Gauge, Bar	1
2	TT-29-9100	Brush And Handle ASM	1
2:1	TT-36-4310	Brush	1
2:3	TT-98-3206	Decal	1
2:4	TT-29-9080	Handle	1
2:5	TT-2410-18	Cap-Plastic	1
3	TT-TOR4074	Adapter-Drive, Reel	1
4	TT-115-0803	Rm/Gm Roller Rebuild Tool Kit	1
4:1	TT-115-0852	Tool-Inner Seal	1
4:2	TT-107-8133	Washer-Flat	1
4:3	TT-115-0853	Tool-Bearing/Outer Seal	1
5	TT-125-5610	Paper-Reel, Toro (10 Pack)	1
6	TT-140-5531	Shim-Toro Reel (.002In)	1
7	TT-131-6828	Indicator-Angle	1
8	TT-131-6829	Mount-Indicator, Angle	1

PARTS

ILLUSTRATED DRAWING Drive Assembly



PARTS

Drive Assembly

REF.	PART NO.	DESCRIPTION	QTY.
1	TT-112-6967	O-Ring	1
2	TT-108-4203	Housing-Bearing, Drive	1
3	TT-240-7	Grommet-Rubber	1
4	TT-3274-7	Screw-HSH	2
6	TT-125-2788	Shaft-Drive, LH	1
7	TT-125-2787	Shaft-Drive, RH	1
8	TT-104-1843	Fitting-Grease, 90 DEG	1

PARTS

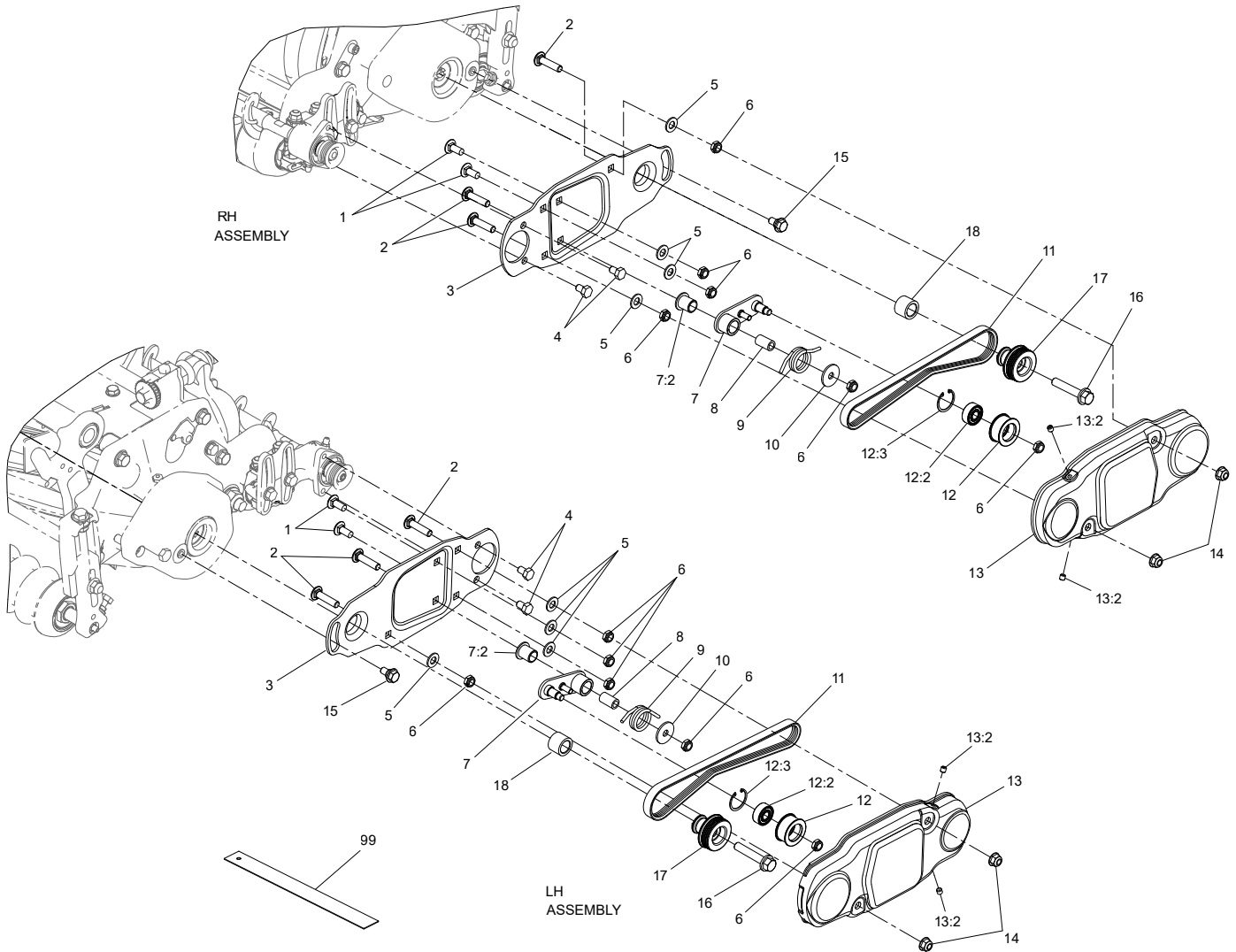
Roller Brush Assembly

REF.	PART NO.	DESCRIPTION	QTY.
1	TT-127-7134	Non Driven Bearing Housing ASM	1
1:2	TT-95-0707	Bearing-Aligning, Self	1
1:3	TT-106-8530	Seal-Grease	1
1:4	TT-302-5	Fitting-Grease	1
2	TT-127-7138	Drive Bearing Housing ASM	1
2:2	TT-95-0707	Bearing-Aligning, Self	1
2:3	TT-106-8530	Seal-Grease	2
2:4	TT-302-5	Fitting-Grease	1
3	TT-107-8844	O-Ring	1
4	TT-133-8231	Roller Brush ASM	1
4:2	TT-115-0813	Brush-Roller	1
4:3	TT-115-0838	Brush-Roller (High HOC)*	1
4:4	TT-105-9632	Bolt-J	2
4:5	TT-3296-2	Nut-Lock, NI	2
4:6	TT-137-0844	Brush-Roller, Rear (HD)*	1
5	TT-104-8300	Nut-HF, NI	4
6	TT-108-4480	Bracket-Mounting	2
7	TT-108-4172	Seal-Excluder	2
8	TT-94-6936	Washer-Hardened	4
9	TT-322-16	Screw-HH	4
10	TT-127-7139	Spacer-Pulley, Driven	1
11	TT-112-6957	Washer-Hardened	2
12	TT-115-0821	Pulley-Driven, RRB (5-Rib)	1
13	TT-104-8301	Nut-HF, NI	1
99	TT-131-3233	Groomer/RRB Seal Kit*	1
99:1	TT-95-0707	Bearing-Aligning, Self	2
99:2	TT-106-8530	Seal-Grease	3
99:3	TT-108-4172	Seal-Excluder	2

* Optional Equipment

PARTS

ILLUSTRATED DRAWING Plate Assembly



PARTS

Plate Assembly

REF.	PART NO.	DESCRIPTION	QTY.
1	TT-3230-23	Screw-CARR	2
2	TT-112-6950	Screw-CARR	3
3	TT-115-0814-03	Plate-Brush, 7 Inch	1
4	TT-322-1	Screw-HH	2
5	TT-3256-45	Washer-Flat	4
6	TT-3296-47	Nut-Lock, NI	6
7	TT-115-0834	Idler Arm ASM	1
7:2	TT-125-8775	Bushing-Flange	1
8	TT-115-0826	Spacer-Idler	1
9	TT-115-0839	Spring-Idler	1
10	TT-5-4460	Washer-Pivot	1
11	TT-115-0828	Belt-Brush, 7 Inch	1
12	TT-114-9397	Idler Pulley ASM	1
12:2	TT-110-1701	Bearing	1
12:3	TT-32151-60	Ring-Snap	1
13	TT-115-0830	Brush Cover ASM	1
13:2	TT-108-0989	Screw-Set	2
14	TT-104-8300	Nut-HF, NI	2
15	TT-27-0411	Screw-Shoulder	1
16	TT-66-9302	Screw-HHF, Whiz	1
17	TT-115-0820	Pulley-Driver, 5-Rib, 7-Inch RRB	1
18	TT-108-4477	Spacer	1
99	TT-114-5446	Tool-Alignment*	1

* Optional Equipment