

Parts Manual

KM500

Loader





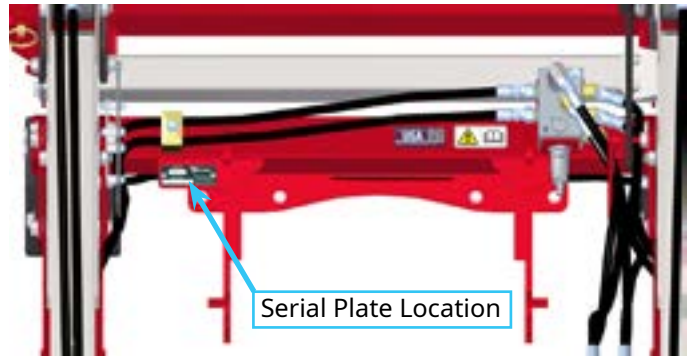
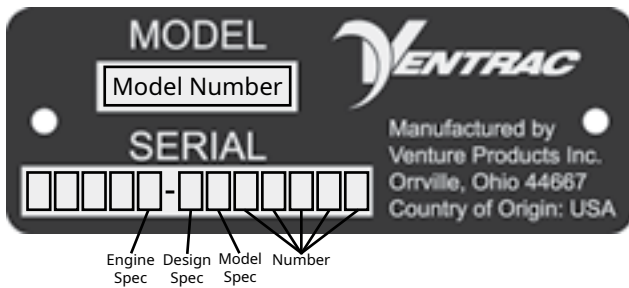
500 Venture Drive
Orrville Oh 44667
www.ventrac.com

[View all manuals](#)



Visit ventrac.com/manuals for the latest version of this parts manual. A downloadable operator's manual is also available.

Serial Number Description



Notes

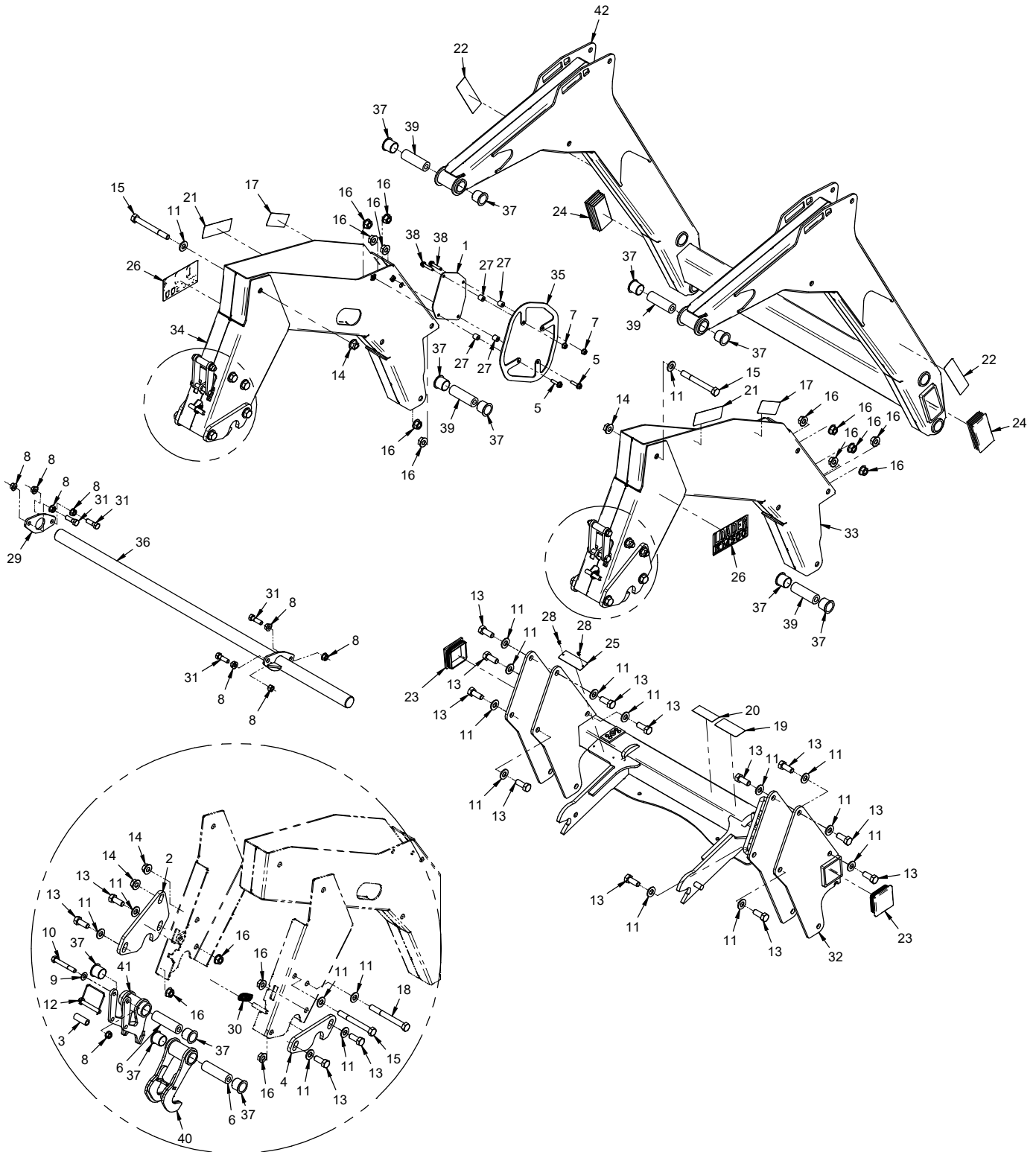
- If any component requires replacement, use only original Ventrac replacement parts.
- When ordering new components, be sure to order all required safety decals. All current safety decals must be affixed to the replacement components prior to installation of the component.

TABLE OF CONTENTS

PARTS	PAGE 4
Main Frame, Loader Arms, & Crossbar Mount	4
Tool Attachment Mount.....	6
Hydraulic Lift	8
Hydraulic Tilt	10
Hydraulic Diagram	12
70.8244 Light Material Bucket.....	14
70.8252 Third Aux Function	16
70.8252 Third Aux Function Hydraulic Diagram.....	18

PARTS

ILLUSTRATED DRAWING Main Frame, Loader Arms, & Crossbar Mount



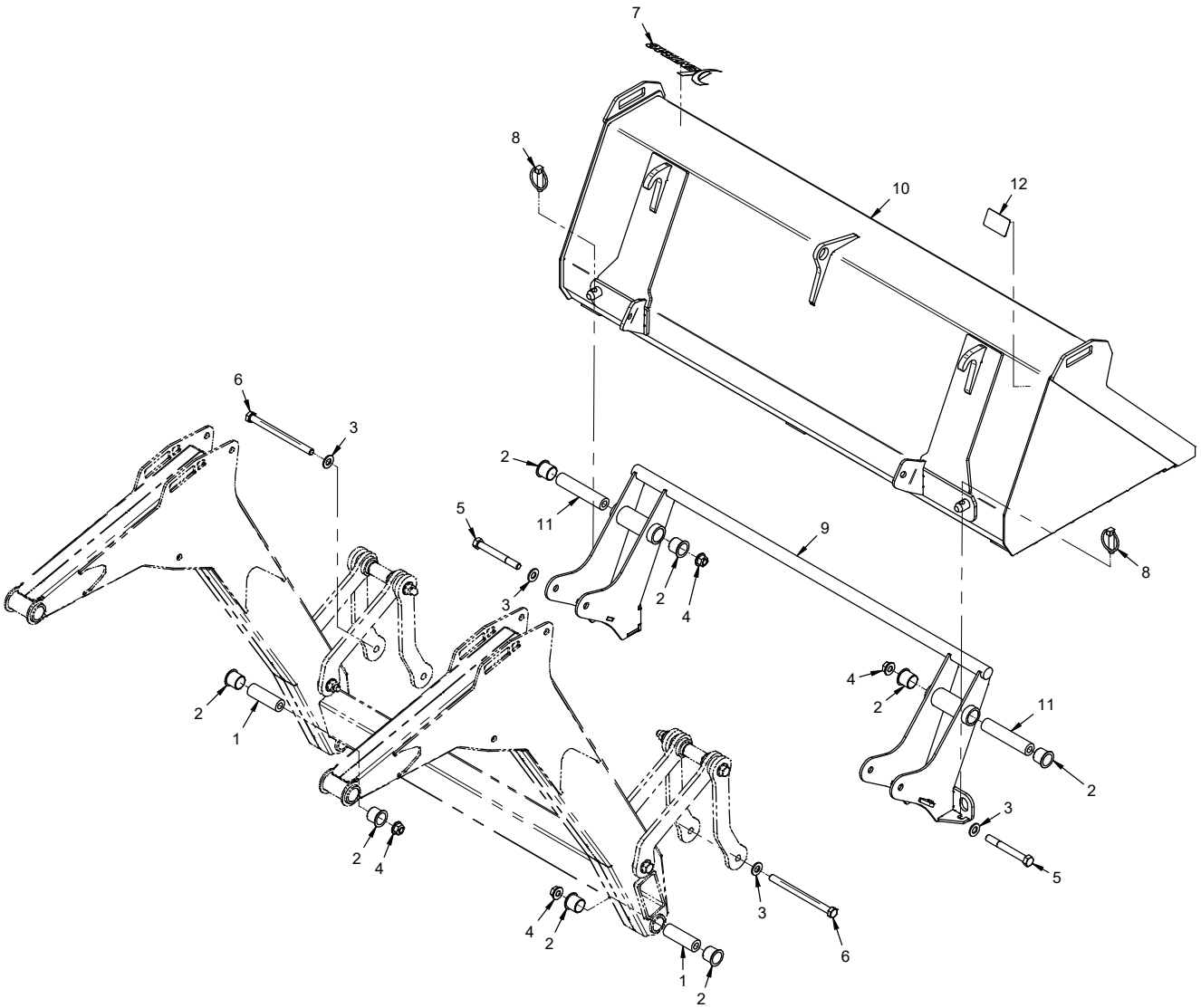
PARTS

Main Frame, Loader Arms, & Crossbar Mount

REF.	PART NO.	DESCRIPTION	QTY.
1	KM-1260	.Plate, Heat Outer	1
2	KM-1302	.Plate, Rear Anchor	2
3	KM-1303	.Tube, Rear Latch Handle	2
4	KM-1431	.Plate, Rear Anchor	2
5	99.SF0408-1	.Bolt, SMF 1/4-20 x 1	2
6	KM-1299	.Bushing, .510 x 1.00 x 3-11/32	4
7	99.E0101	.Nut, Locking Flange 1/4-20	2
8	99.SF06	.Nut, SRF 3/8-16 USS	10
9	95.06	.Washer, Flat 3/8 SAE	2
10	90.0622	.Bolt, 3/8-16 USS x 2-3/4	2
11	95.08	.Washer, Flat 1/2 SAE	26
12	03.0003	.Pin, Safety Snap 3/8 X 2-1/2"	2
13	90.0810	.Bolt, 1/2-13 USS x 1-1/4	20
14	99.E0103	.Nut, Locking Flange 1/2-13	6
15	90.0836	.Bolt, Hex 1/2-13 UNC x 4-1/2	4
16	99.SF08	.Nut, SRF 1/2-13 USS	20
17	00.0621	.Decal, High Pressure Fluid Hazard	2
18	90.0838	.Bolt, 1/2-13 USS x 4-3/4	2
19	00.0619	.Decal, Read Operator's Manual	1
20	00.0100	.Decal, Built in the USA	1
21	00.0620	.Decal, Pinching or Crushing Hazard	2
22	00.0744	.Decal, Crushing Hazard - Loader	2
23	05.0209	.Plug, Sq. for 2-1/2 x (.203-.134)	2
24	05.0210	.Plug, Rect. for 4 x 2 x (.203-.120)	2
25	N/A	.Plate, Ventrac Serail Number	1
26	00.0750	.Decal, KM500	2
27	64.2040	.Spacer, .257"ID x 1/2"OD x 1/2" L	4
28	04.0003	.Rivet, Pop 1/8 X 3/8 SS	2
29	64.1029	.Plate, Rear Anchor Mount	1
30	41.0126	.Spring, Ext. 0.75" OD x 2" Lg	2
31	90.0610	.Bolt, 3/8-16 USS x 1-1/4	4
32	KM-6000	.Frame, Hitch	1
33	KM-6038	.Frame, Main Right	1
34	KM-6096	.Frame, Main Left	1
35	KM-6102	.Weld Assembly, Frame	1
36	42.0455	.Shaft, Rear Anchor Mount	1
37	85.B0102	.Bushing, 1.000 ID x 1.125 OD x 1 L	16
38	99.SF0410-1	.Bolt, SMF 1/4-20 x 1-1/4	2
39	KM-1149	.Bushing, .510 x 1.00 x 3-1/16	4
40	KM-6069	.Anchor, Rear Latch	2
41	KM-6070	.Handle, Rear Latch	2
42	KM-6001	.Frame, Lift Arm	1

PARTS

ILLUSTRATED DRAWING Tool Attachment Mount



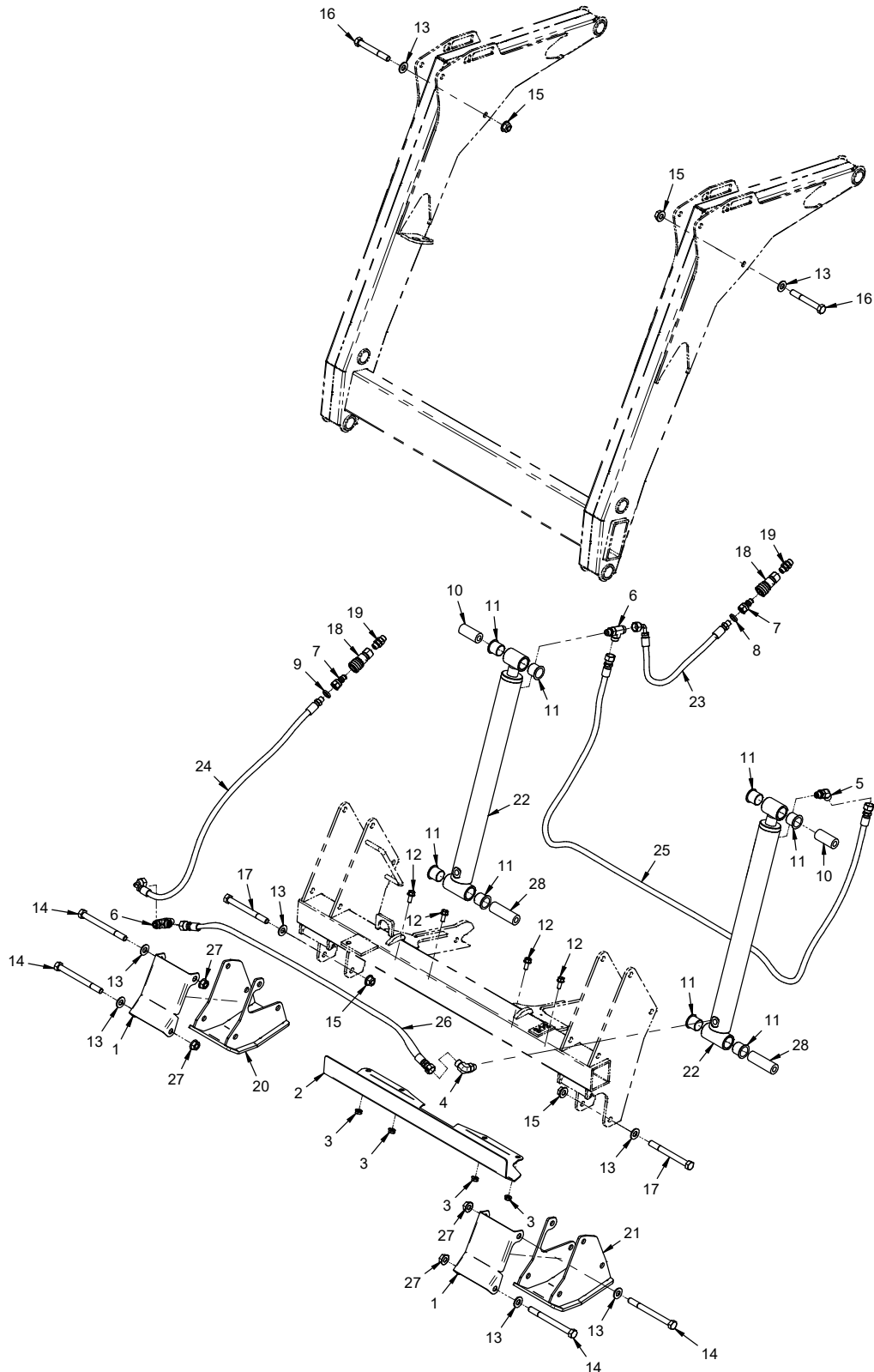
PARTS

Tool Attachment Mount

REF.	PART NO.	DESCRIPTION	QTY.
1	KM-1149	Bushing, .510 x 1.00 x 3-1/16.	2
2	85.B0102	Bushing, 1.000 ID x 1.125 OD x 1 L.	8
3	95.08	Washer, Flat 1/2 SAE	4
4	99.E0103	Nut, Locking Flange 1/2-13	4
5	90.0834	Bolt, 1/2-13 USS x 4-1/4	2
6	90.0852	Bolt, 1/2-13 USS x 6-1/2	2
7	00.0688	Decal, Ventrac White.	1
8	03.0005	Pin, Linch	2
9	KM-6011	Frame, Tool Mount	1
10	KM-6009	Bucket, 48" Standard	1
11	KM-1081	Bushing, .510 x 1.00 x 4-3/4.	2
12	00.0754	Decal, Tipping Hazard - KM500 Bucket	1

PARTS

ILLUSTRATED DRAWING Hydraulic Lift



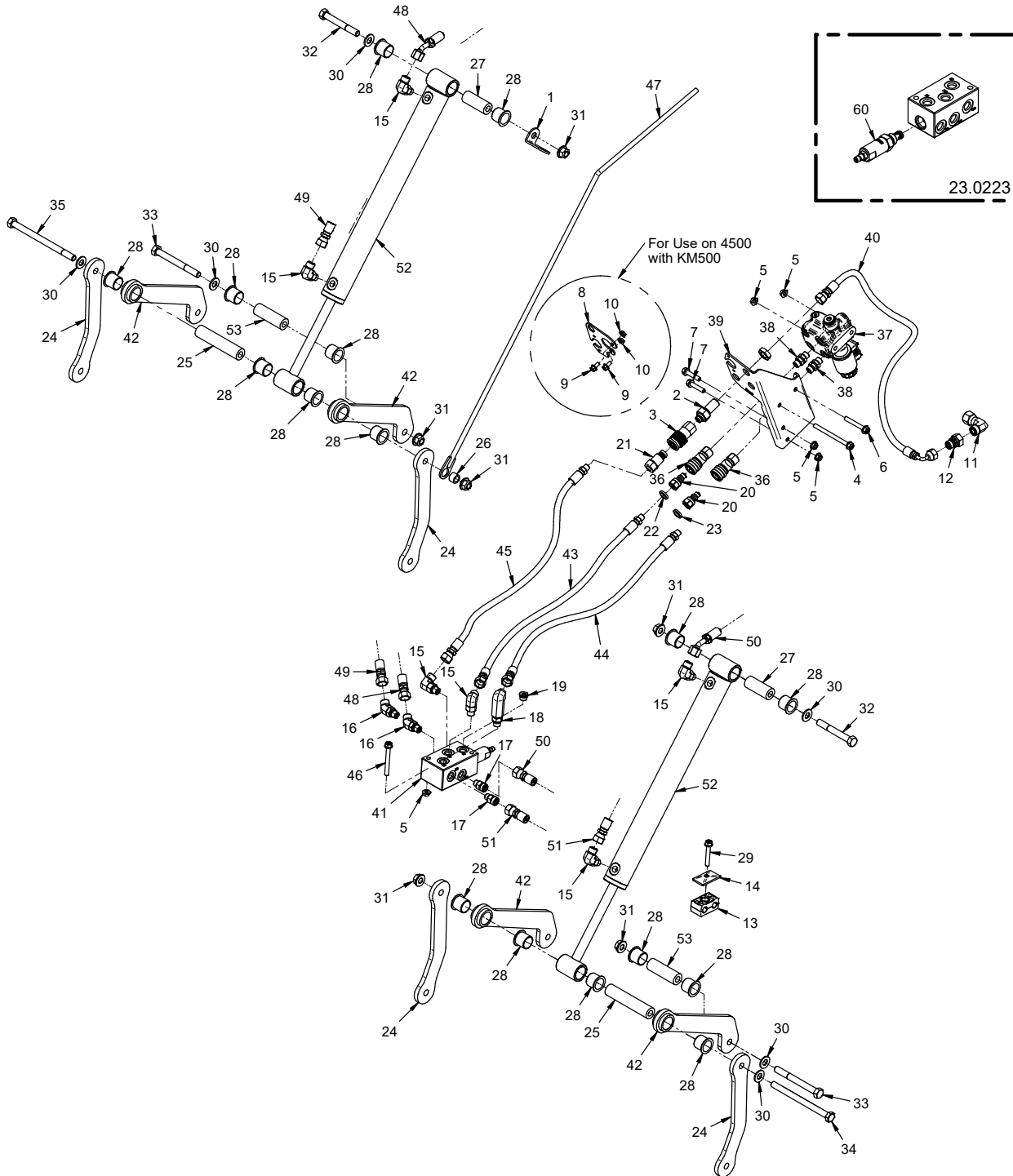
PARTS

Hydraulic Lift

REF.	PART NO.	DESCRIPTION	QTY.
1	KM-1361	Cover, Skid Plate	2
2	KM-1432	Guard, Lower Hose Traverse	1
3	99.SF05	Nut, SRF 5/16-18 USS	4
4	25.FF6801-06-06	Fitting, 90 Elbow - 6MFF X 6MB	1
5	25.FF6802-06-06	Fitting, 45 Elbow - 6Mff X 6Mb	1
6	25.FF6804-6-6-6	Fitting, Tee 6MB X 6MFF X 6MFF	2
7	23.0104	Coupler, Quick Male 1/4	2
8	05.0117	Washer, .544 ID x .817 x .14 Yel	1
9	05.0116	Washer, .544 ID x .817 x .14 Red	1
10	KM-1346	Bushing, .510 x 1.00 x 2-3/16	2
11	85.B0102	Bushing, 1.000 ID x 1.125 OD x 1 L	8
12	99.SF0506-1	Bolt, SMF 5/16-18 USS x 3/4	4
13	95.08	Washer, Flat 1/2 SAE	8
14	90.0844	Bolt, 1/2-13 USS x 5-1/2	4
15	99.E0103	Nut, Locking Flange 1/2-13	4
16	90.0830	Bolt, Hex 1/2-13 UNC x 3-3/4	2
17	90.0840	Bolt, Hex 1/2-13 UNC x 5	2
18	23.0197	Coupler, Hyd Quick Female 1/4 ORB	2
19	25.6403-06-06	Fitting, St Union 06MB x 06MB	2
20	KM-6071	Skid, Loader Frame Right	1
21	KM-6097	Skid, Loader Frame Left	1
22	23.0217	Cylinder, 1-3/4" X 18"	2
23	20.0444	Hose, 1/4x28.00 SAE 100R17	1
24	20.0445	Hose, 1/4x42.00 SAE 100R17	1
25	20.0441	Hose, 1/4x78.00 SAE 100R17	1
26	20.0447	Hose, 1/4x34.00 SAE 100R17	1
27	99.SF08	Nut, SRF 1/2-13 USS	4
28	KM-1149	Bushing, .510 x 1.00 x 3-1/16	2

PARTS

ILLUSTRATED DRAWING Hydraulic Tilt



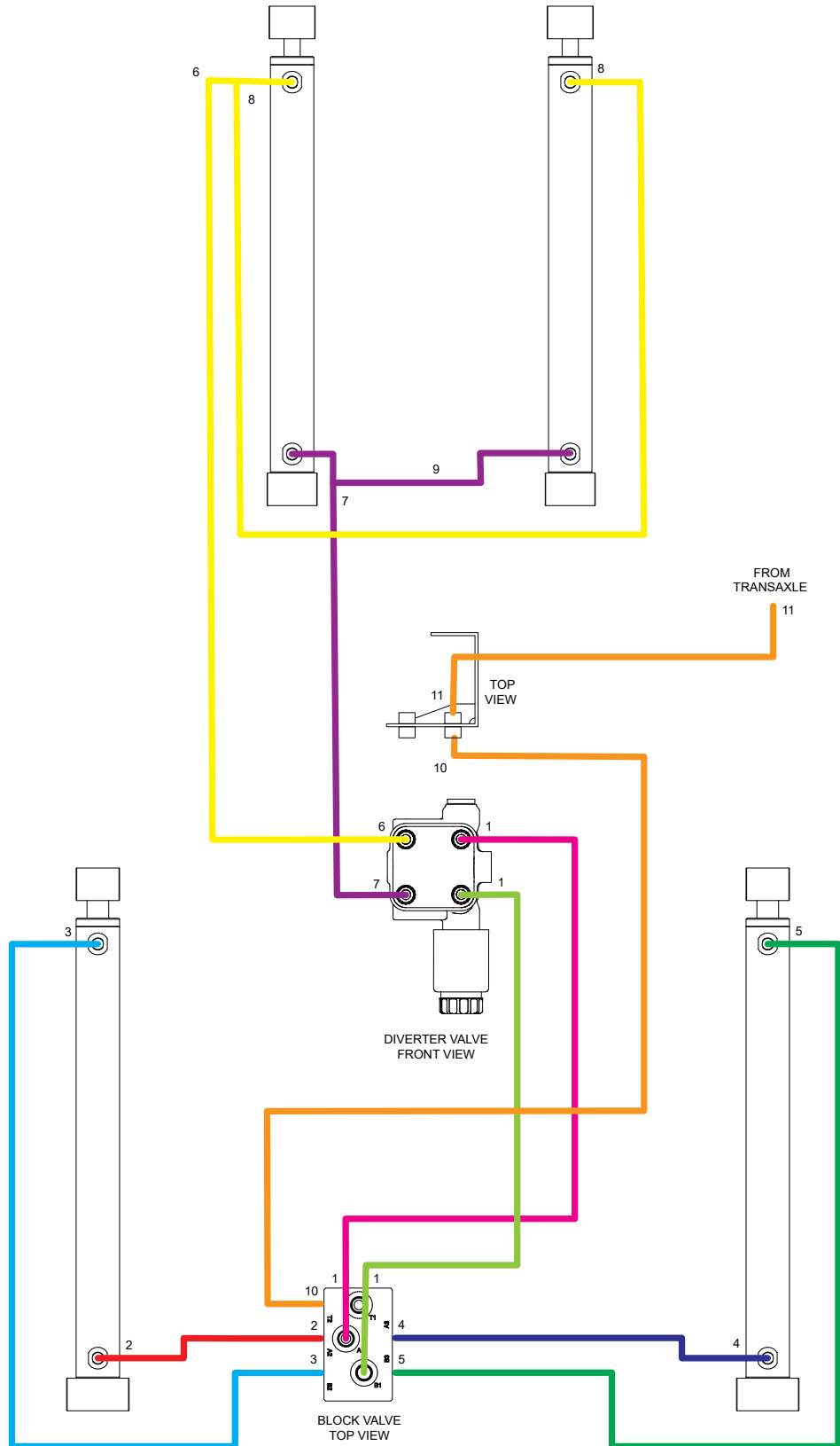
PARTS

Hydraulic Tilt

REF.	PART NO.	DESCRIPTION	QTY.
1	KM-1258	.Bracket, Indicator Rod	1
2	25.FF2706-06-04-LN	.Fitting, Bulkhead Adapter -06MF x -04MP	1
3	23.0177	.Coupler, Female Flat Face Quick 1/4	1
4	99.SF0532-1	.Bolt, SMF 5/16-18 X 4	1
5	99.SF05	.Nut, SRF 5/16-18 USS	5
6	99.SF0518-1	.BOLT, SMF 5/16-18 X 2-1/4	1
7	99.SF0512-1	.Bolt, SMF 5/16-18 X 1-1/2	2
8	KM-1392	.Plate	1
9	99.SF0404-1	.Bolt, SMF 1/4-20 X 1/2	2
10	99.SF04	.Nut, SRF 1/4-20 USS	2
11	25.FF6500-08-08	.Fitting, 90 Elbow 8MFF x 8FSX	1
12	25.FF2406-08-06	.FITTING, STRAIGHT REDUCER -08FF X -06MF	1
13	44.0256	.Clamp, Hyd Hose 12.7mm ID 2 Cavity (Set of 2)	1
14	44.0229	.Cover Plate, Group 2D (2 Cavity)	1
15	25.FF6801-06-06	.Fitting, 90 Elbow - 6MFF X 6MB	6
16	25.FF6802-06-06	.Fitting, 45 Elbow - 6Mff X 6Mb	2
17	25.FF6400-06-06	.Fitting, Connector -06MFF x -06MB	2
18	25.FF6801-L-06-06	.Fitting, 90 Elbow LNG 6MB x 6MFF	1
19	25.6408-H-06	.Fitting, -06 MB x Hollow Allen	1
20	23.0104	.Coupler, Quick Male 1/4	2
21	23.0176	.Coupler, Male Flat Face Quick 1/4	1
22	05.0156	.Washer, .544 ID x .817 x .14 Nat	1
23	05.0157	.Washer, .544 ID x .817 x .14 Blk	1
24	KM-1022	.Link, Outer Tool	4
25	KM-1081	.Bushing, .510 x 1.00 x 4-3/4	2
26	KM-1259	.Spacer, .510 ID x 3/4 OD x .500	1
27	KM-1310	.Bushing, .510 x 1.00 x 2-1/2	2
28	85.B0102	.Bushing, 1.000 ID x 1.125 OD x 1 L	16
29	99.SF0516-1	.Bolt, SMF 5/16-18 x 2	1
30	95.08	.Washer, Flat 1/2 SAE	6
31	99.E0103	.Nut, Locking Flange 1/2-13	6
32	90.0830	.Bolt, Hex 1/2-13 UNC x 3-3/4	2
33	90.0838	.Bolt, 1/2-13 USS x 4-3/4	2
34	90.0852	.Bolt, 1/2-13 USS x 6-1/2	1
35	90.0856	.Bolt, 1/2-13 USS x 7	1
36	23.0197	.Coupler, Hyd Quick Female 1/4 ORB	2
37	23.0196	.Valve, Diverter	1
38	25.6403-06-06	.Fitting, St Union 06MB x 06MB	2
39	KM-6101	.Weldment, Dual Valve Mount	1
40	20.0461	.Hose, 1/4x33.00 SAE 100R17	1
41	23.0223	.Valve Block, Assembly with Relief Valve	1
42	KM-6007	.Link, Inner Tool	4
43	20.0439	.Hose, 1/4x35.00 SAE 100R 17	1
44	20.0439	.Hose, 1/4x35.00 SAE 100R17	1
45	20.0410	.Hose, 1/4x28.00 SAE 100R17	1
46	99.SF0522-1	.Bolt, SMF 5/16-18 x 2-3/4	1
47	KM-6063	.Rod, Indicator	1
48	20.0440	.Hose, 1/4x60.00 SAE 100R17	1
49	20.0441	.Hose, 1/4x78.00 SAE 100R17	1
50	20.0442	.Hose, 1/4x77.00 SAE 100R17	1
51	20.0443	.Hose, 1/4x95.00 SAE 100R17	1
52	23.0218	.Cylinder, 1-1/2" X 16"	2
53	KM-1149	.Bushing, .510 x 1.00 x 3-1/16	2
60	23.0221	.Valve, Relief 1800 PSI	1

PARTS

ILLUSTRATED DRAWING Hydraulic Diagram



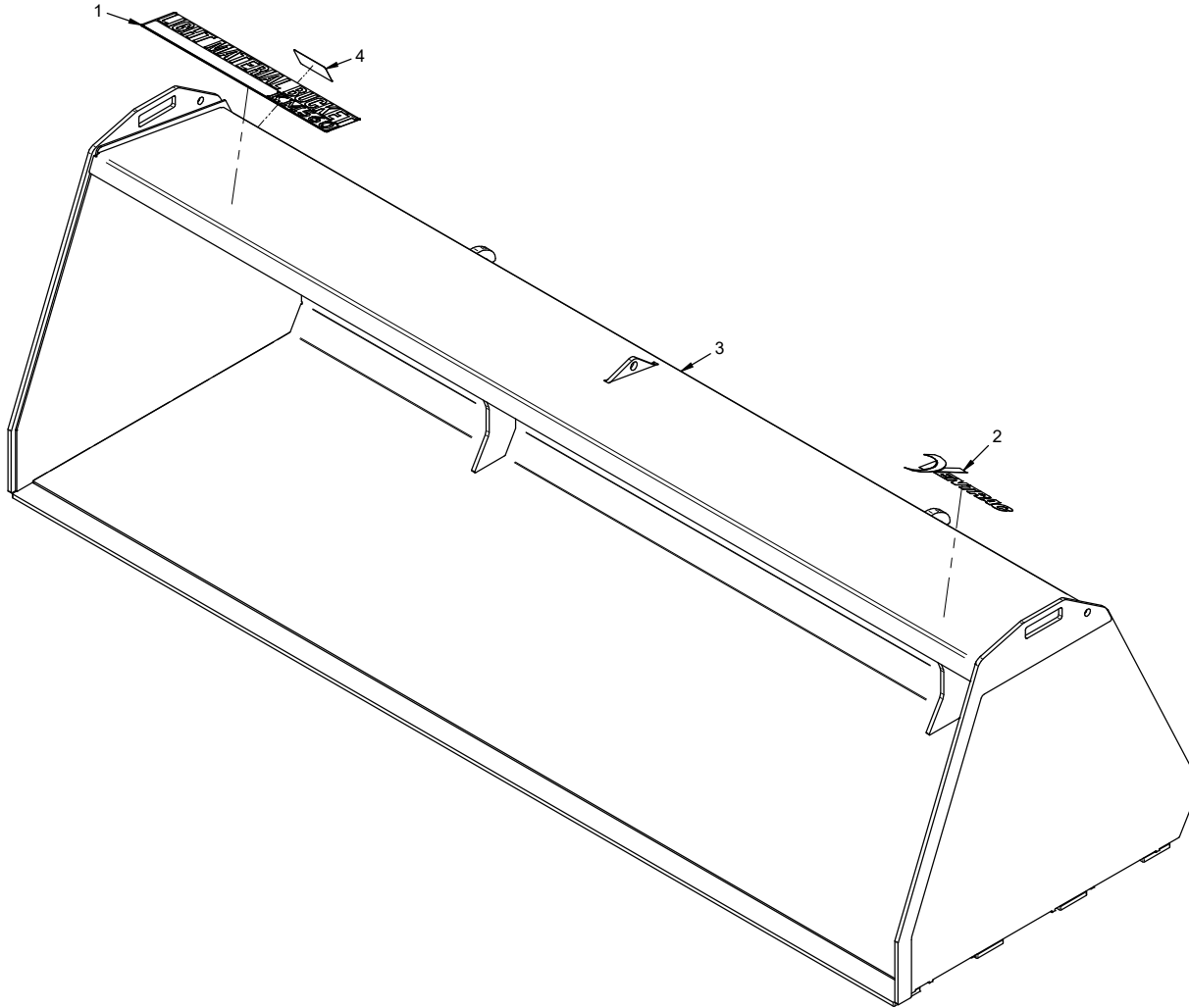
PARTS

Hydraulic Diagram

REF.	PART NO.	DESCRIPTION	QTY.
1	20.0439	Hose, 1/4x35.00 SAE 100R17	2
2	20.0440	Hose, 1/4x60.00 SAE 100R17	1
3	20.0441	Hose, 1/4x78.00 SAE 100R17	1
4	20.0442	Hose, 1/4x77.00 SAE 100R17	1
5	20.0443	Hose, 1/4x95.00 SAE 100R17	1
6	20.0444	Hose, 1/4x28.00 SAE 100R17	1
7	20.0445	Hose, 1/4x42.00 SAE 100R17	1
8	20.0441	Hose, 1/4x78.00 SAE 100R17	1
9	20.0447	Hose, 1/4x34.00 SAE 100R17	1
10	20.0410	Hose, 1/4x28.00 SAE 100R17	1
11	20.0461	Hose, 1/4x33.00 SAE 100R17	1

OPTIONS

ILLUSTRATED DRAWING 70.8244 Light Material Bucket



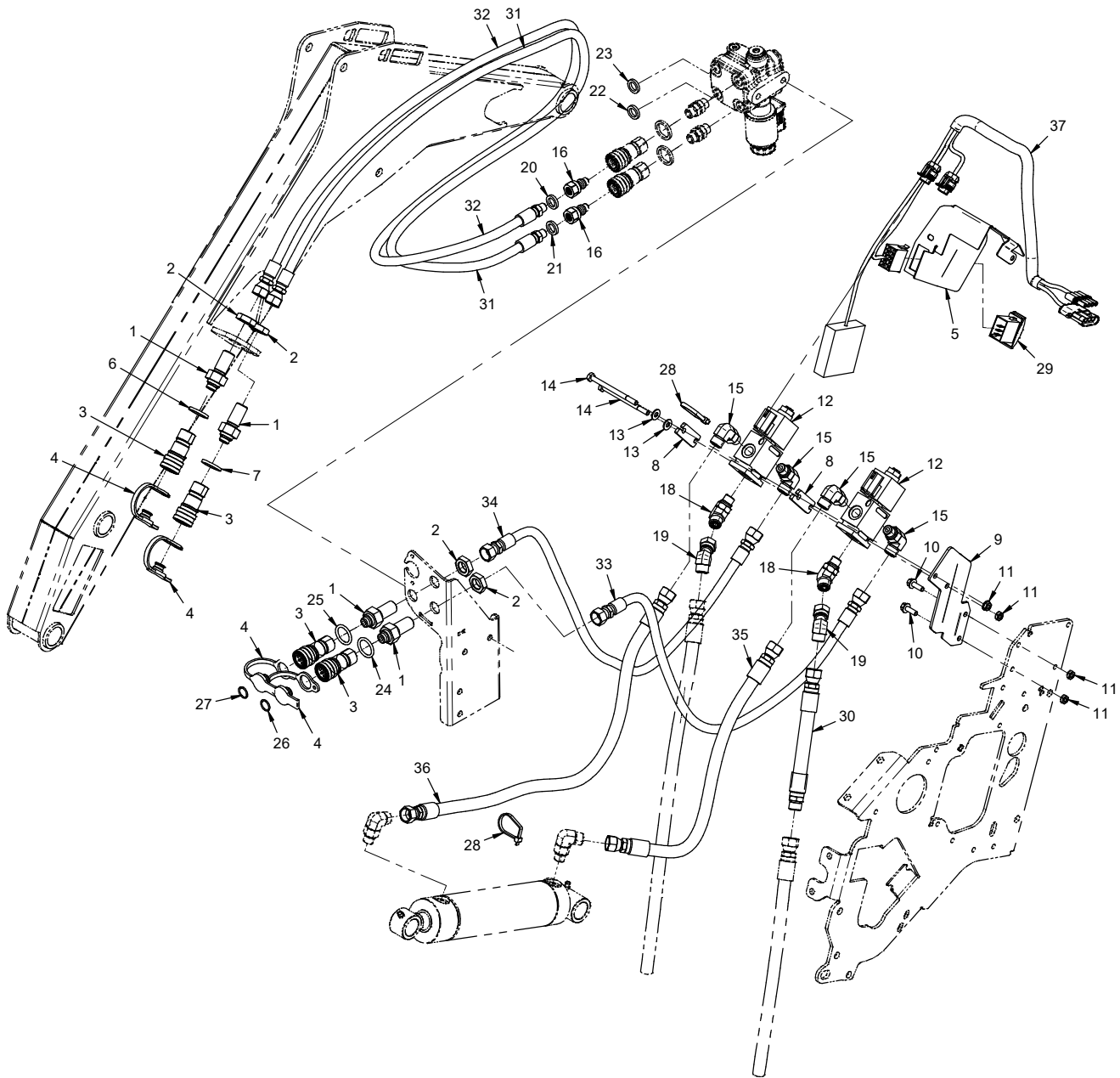
OPTIONS

70.8244 Light Material Bucket

REF.	PART NO.	DESCRIPTION	QTY.
1	00.0752	Decal, KM560	1
2	00.0688	Decal, Ventrac White	1
3	KM-6103	Bucket, 56" Light Material	1
4	00.0757	Decal, Tipping Hazard - KM660	1

OPTIONS

ILLUSTRATED DRAWING 70.8252 Third Aux Function



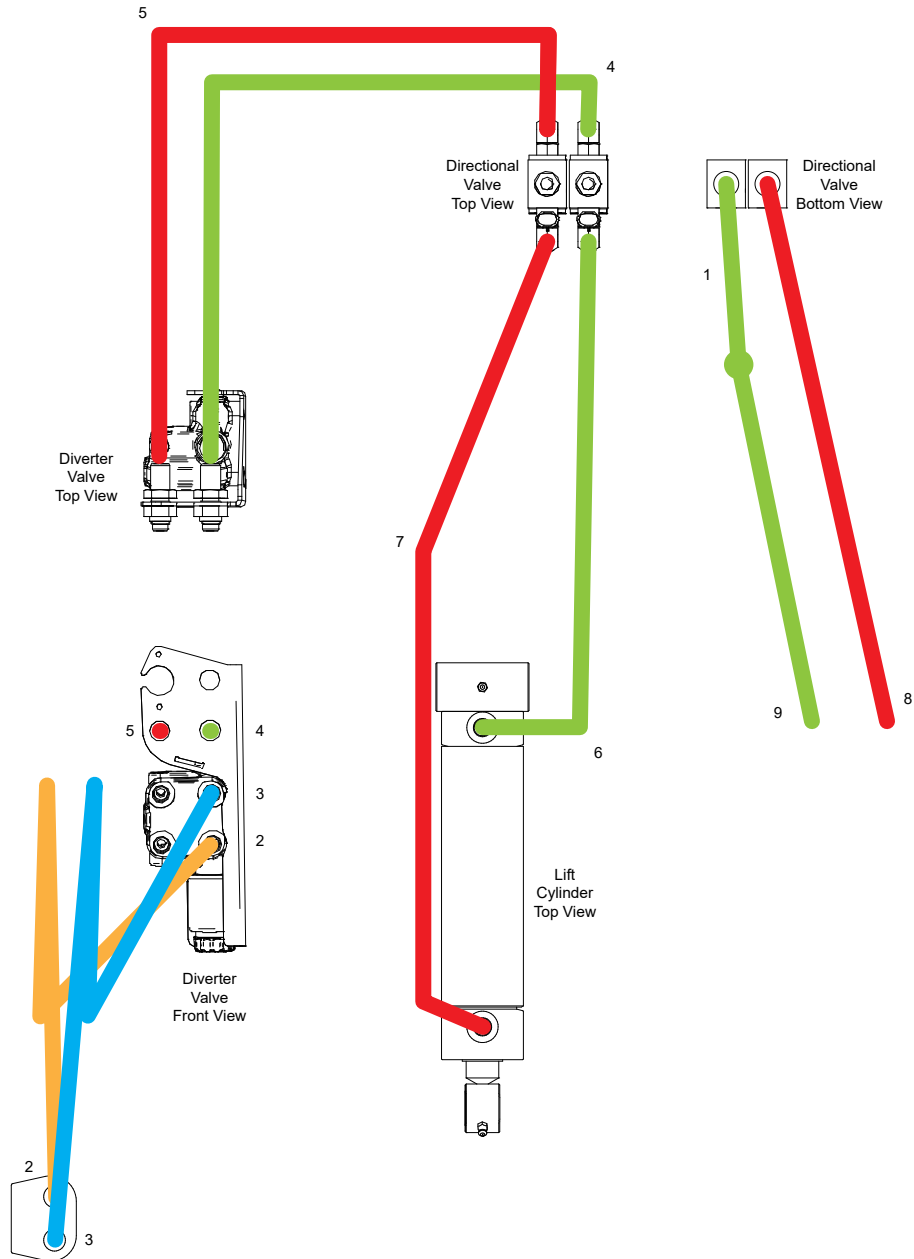
OPTIONS

70.8252 Third Aux Function

REF.	PART NO.	DESCRIPTION	QTY.
1	25.FF2764-06-06-LN	.Fitting, Bulkhead Straight 3/8	4
2	25.FF306-06	.Locknut, -06 Bulkhead Fitting	4
3	23.0197	.Coupler, Hyd Quick Female 1/4 ORB	4
4	23.0126	.Plug, Dust for 23.0106	4
5	KM-1379	.Cover, Parking Brake.	1
6	05.0193	.Washer, .905 ID x 1.170 x .140 White	1
7	05.0192	.Washer, .905 ID x 1.170 x .140 Black	1
8	64.1649	.Plate, Spacer Hyd Valve	2
9	64.1650	.Bracket, Dual Valve Mount.	1
10	99.SF0406-1	.Bolt, SMF 1/4-20 X 3/4.	2
11	99.SF04	.Nut, SRF 1/4-20 USS	4
12	23.0164	.Valve, Directional 12V	2
13	95.04	.Washer, Flat 1/4 SAE	2
14	90.0428	.Bolt, 1/4-20 USS x 3-1/2	2
15	25.FF6801-06-06	.Fitting, 90 Elbow - 6MFF X 6MB	4
16	23.0104	.Coupler, Quick Male 1/4.	2
17	02.CP0406	.Cotter Pin, 1/8 X 3/4, Zinc (Not Illustrated)	1
18	25.FF6802-06-06	.Fitting, 45 Elbow - 6Mff X 6Mb.	2
19	25.FF6502-06-06	.Fitting, 45 Elbow -06MF x -06FF	2
20	05.0156	.Washer, .544 ID x .817 x .14 Nat	1
21	05.0157	.Washer, .544 ID x .817 x .14 Blk	1
22	05.0116	.Washer, .544 ID x .817 x .14 Red	1
23	05.0117	.Washer, .544 ID x .817 x .14 Yel.	1
24	26.0059	.O-Ring, -213, Green for KM500	1
25	26.0060	.O-Ring, -213, Blue for KM500	1
26	26.0061	.O-Ring, -015, Green for KM500	1
27	26.0062	.O-Ring, -015, Blue for KM500	1
28	30.0204	.Tyton Tie, #50 .190 x 12"	5
29	31.0053	.Switch, Rocker On/Off	1
30	20.0460	.Hose, 3/8x7.50 SAE 100R17	1
31	20.0448	.Hose, 1/4x70.00 SAE 100R17	1
32	20.0448	.Hose, 1/4x70.00 SAE 100R17	1
33	20.0457	.Hose, 1/4x23.00 SAE 100R17	1
34	20.0457	.Hose, 1/4x23.00 SAE 100R17	1
35	20.0458	.Hose, 3/8x15.00 SAE 100R17	1
36	20.0459	.Hose, 3/8x24.00 SAE 100R17	1
37	32.0255	.Harness, Wire 3rd Aux	1

OPTIONS

ILLUSTRATED DRAWING 70.8252 Third Aux Function Hydraulic Diagram



OPTIONS

70.8252 Third Aux Function Hydraulic Diagram

REF.	PART NO.	DESCRIPTION	QTY.
1	20.0460	Hose, 3/8x7.50 SAE 100R17	1
2	20.0448	Hose, 1/4x70.00 SAE 100R17	1
3	20.0448	Hose, 1/4x70.00 SAE 100R17	1
4	20.0457	Hose, 1/4x23.00 SAE 100R17	1
5	20.0457	Hose, 1/4x23.00 SAE 100R17	1
6	20.0458	Hose, 3/8x15.00 SAE 100R17	1
7	20.0459	Hose, 3/8x24.00 SAE 100R17	1
8	20.0398	Hose, 1/4x58.00 SAE 100R17AR (from Front Hitch Hydraulic Lift)	1
9	20.0397	Hose, 1/4x48.00 SAE 100R17AR (from Front Hitch Hydraulic Lift)	1