



*Operator's Manual
& Parts Drawings*

LW452

Weather Cab





500 Venture Drive
Orrville Oh 44667
www.ventrac.com

View all manuals



Visit ventrac.com/manuals for the latest version of this operator's manual.

A downloadable parts manual is also available.

To the Owner Contact Information and Product Identification

If you need to contact an authorized Ventrac dealer for information on servicing your product, always provide the product model and serial numbers.

Please fill in the following information for future reference. See the picture(s) below to find the location of the identification numbers. Record them in the spaces provided.

Date of Purchase: _____

Dealer: _____

Dealer Address: _____

Dealer Phone Number: _____

Dealer Fax Number: _____

<p>Model # (A): _____</p> <p>Serial # (B): _____</p> <p style="text-align: center;">Affix Part/Serial Number label here.</p>
--



Venture Products Inc. reserves the right to make changes in design or specifications without obligation to make like changes on previously manufactured products.

TABLE OF CONTENTS

INTRODUCTION	PAGE 5
Product Description.....	5
Why Do I Need an Operator’s Manual?	5
Using Your Manual	6
Manual Glossary	6
SAFETY	PAGE 7
Safety Decals	7
General Safety Procedures.....	8
Training Required.....	8
Requirements for Personal Protective Equipment (PPE).....	8
Operation Safety	8
Preventing Accidents.....	9
Keep Riders Off.....	9
Operating On Slopes.....	10
Roadway Safety	10
Truck Or Trailer Transport.....	10
Maintenance.....	11
Fuel Safety	11
Hydraulic Safety	12
Roll Over Protective Structure.....	13
WEATHER CAB SETUP INSTRUCTIONS	PAGE 14
Identification of Parts.....	14
Setup Instructions for Power Unit & Weather Cab	15
OPERATIONAL CONTROLS	PAGE 20
Operational Control Locations.....	20
Outer Door Handle & Lock (A)	20
Inner Door Handle (B).....	20
Window Latch Handle (C)	20
Interior Light Switch (D).....	21
Hazard Light Switch (E)	21
Strobe Light Switch (F).....	21
Rear Work Light Switch (G)	21
Front Work Light Switch (H).....	21
Windshield Wiper / Washer Switch (I).....	21
Heater Fan Speed Switch (J).....	21
Heater Temperature Switch (K).....	21
USB Receptacle (L)	21
Rear Heater Vent (M).....	21
Main Heater Vents (N).....	21
Defrost Fan & Switch (O)	21
GENERAL OPERATION	PAGE 22
Daily Inspection.....	22
Using The Windshield Wiper In The Winter	22
Strobe Light.....	22

TABLE OF CONTENTS

SERVICE	PAGE 23
Cleaning and General Maintenance.....	23
Window Latch Adjustment.....	23
Window Latch Handle Adjustment	23
Door Latch Adjustment.....	23
Fuse Replacement.....	24
Windshield Washer Nozzle Adjustment	24
Changing the Strobe Light Flasher Mode	25
Strobe Light Pin Lubrication.....	25
Heater Air Filter Replacement.....	25
Storage.....	25
Power Unit Tire Pressure	26
SPECIFICATIONS	PAGE 27
Dimensions	27
Features.....	27
PARTS	PAGE 28
Wiring Diagram Reference Key.....	28
Wiring Diagram	29
Wire Harness & Fuse Panel.....	30
Cab Frame & Mount.....	32
Right Rear Surround Panels	34
Left Rear Surround Panels.....	36
Foot Covers, Decals, & Cup Holder.....	38
Rear Surround Panel Upholstery & Floor Mats.....	40
Cab Roof Mount.....	42
Main Switch Panel, Cover Plates, & Components	44
Front & Rear Work Lights.....	46
Front Windshield & Windshield Wiper.....	48
Door Assembly.....	50
Left Rear Window.....	52
Rear Window.....	54
Right Rear Window	56
Right Side (Emergency Exit) Window	58
Lower Right Window	60
Seat Belt.....	62
70.2006-6 Defrost Fan Kit.....	64
70.2006-4 Mirror Kit	66
70.8162 Cab Hazard Lights Kit.....	68
70.8161 Strobe Light Kit.....	70
70.8148 Windshield Washer Kit	72
70.8160 Console Fan/Heater Kit.....	74
Heater Blower Assembly	76
70.8144 Heater Install Kit For 3400Y	78
70.3056 Radiator Baffle 3400Y Kit.....	80
WARRANTY	PAGE 82

INTRODUCTION



Ventrac Products Inc. is pleased to provide you with your new Ventrac LW452 weather cab for your 3400 series power unit! We hope that Ventrac equipment will provide you with a ONE Tractor Solution.

Listed below are just some of the items that can provide you *versatility* as you use your LW452 weather cab. Please visit our website, or contact your authorized Ventrac dealer for a complete list of items available for your new LW452 weather cab.

Accessories	Item Description	Part Number
	Defrost Fan Kit	70.2006-6
	Hazard Light Kit	70.8162
	Mirror Kit	70.2006-4
	Strobe Light Kit	70.8161
	Windshield Washer Kit	70.8148
	LW452 Heater Install Kit (3400Y Kubota diesel)	70.2015-51
	Lift Sling	47.0381

Product Description

The Ventrac LW452 weather cab is designed for the sole purpose of sheltering the operator from the weather while providing superior visibility. Standard features include a front windshield wiper, front and rear LED work lights, a large left-side entry door, a right-side emergency exit, and a door and side windows that can be quickly and easily removed. All cabs with serial # 01196 and higher are equipped with a heater. A heater installation kit must be purchased to connect the heater to your power unit engine.

Optional accessories include a strobe light, hazard lights, mirrors, windshield washer, and defrost fan kit. Refer to your national and/or local regulations for lighting requirements specific to your intended application.

NOTE: the LW452 weather cab cannot be used with an EF300 leaf plow.

Why Do I Need an Operator's Manual?

This manual has been created to help you gain the important knowledge of what is needed to safely operate, maintain, and service your machine. It is divided into sections for convenient reference of the appropriate section.

You must read and understand the operator's manual for each piece of Ventrac equipment you own. Reading the operator's manual will help you become familiar with each specific piece of equipment. Understanding the operator's manual will help you, as well as others, avoid personal injury and/or damage to the equipment. Keep this manual with the machine at all times. The manual should remain with the machine even if it is sold. If this manual becomes damaged or unreadable, it should be replaced immediately. Contact your local Ventrac dealer for a replacement.

When using a Ventrac attachment, be sure to read and follow the safety and operating instructions of both the power unit and the attachment being used to ensure the safest operation possible.

The information in this manual provides the operator with the safest procedures to operate the machine while getting the maximum use out of the unit. Failure to follow the safety precautions listed in this manual may result in personal injury and/or damage to the equipment.

INTRODUCTION

Using Your Manual

Throughout this manual, you will encounter special messages and symbols that identify potential safety concerns to help you as well as others avoid personal injury or damage to the equipment.

SYMBOL DEFINITIONS



ATTENTION

This symbol identifies potential health and safety hazards. It marks safety precautions. Your safety and the safety of others is involved.

There are three signal words that describe the level of safety concern: Danger, Warning, and Caution. Safety should always be the #1 priority when working on or operating equipment. Accidents are more likely to occur when proper operating procedures are not followed or inexperienced operators are involved.

Note: Right-Hand and Left-Hand orientations may be referred to at different places throughout this manual. Right-Hand and Left-Hand is determined as if sitting on the power unit seat facing forward.

SIGNAL WORD DEFINITIONS

⚠ DANGER

Indicates an imminently hazardous situation which, if not avoided, will result in death or serious injury. This signal word is limited to the most extreme cases.

⚠ WARNING

Indicates a potentially hazardous situation which, if not avoided, could result in death or serious injury.

⚠ CAUTION

Indicates a potentially hazardous situation which, if not avoided, may result in minor or moderate injury and/or property damage. It may also be used to alert against unsafe practices.

Manual Glossary

Power Unit A Ventrac tractor or other Ventrac engine powered device that may be operated by itself or with an attachment or accessory.

Attachment A piece of Ventrac equipment that requires a Power Unit for operation.

Accessory A device that attaches to a Power Unit or Attachment to extend its capabilities.

Machine Describes any "Attachment" or "Accessory" that is used in conjunction with a power unit.

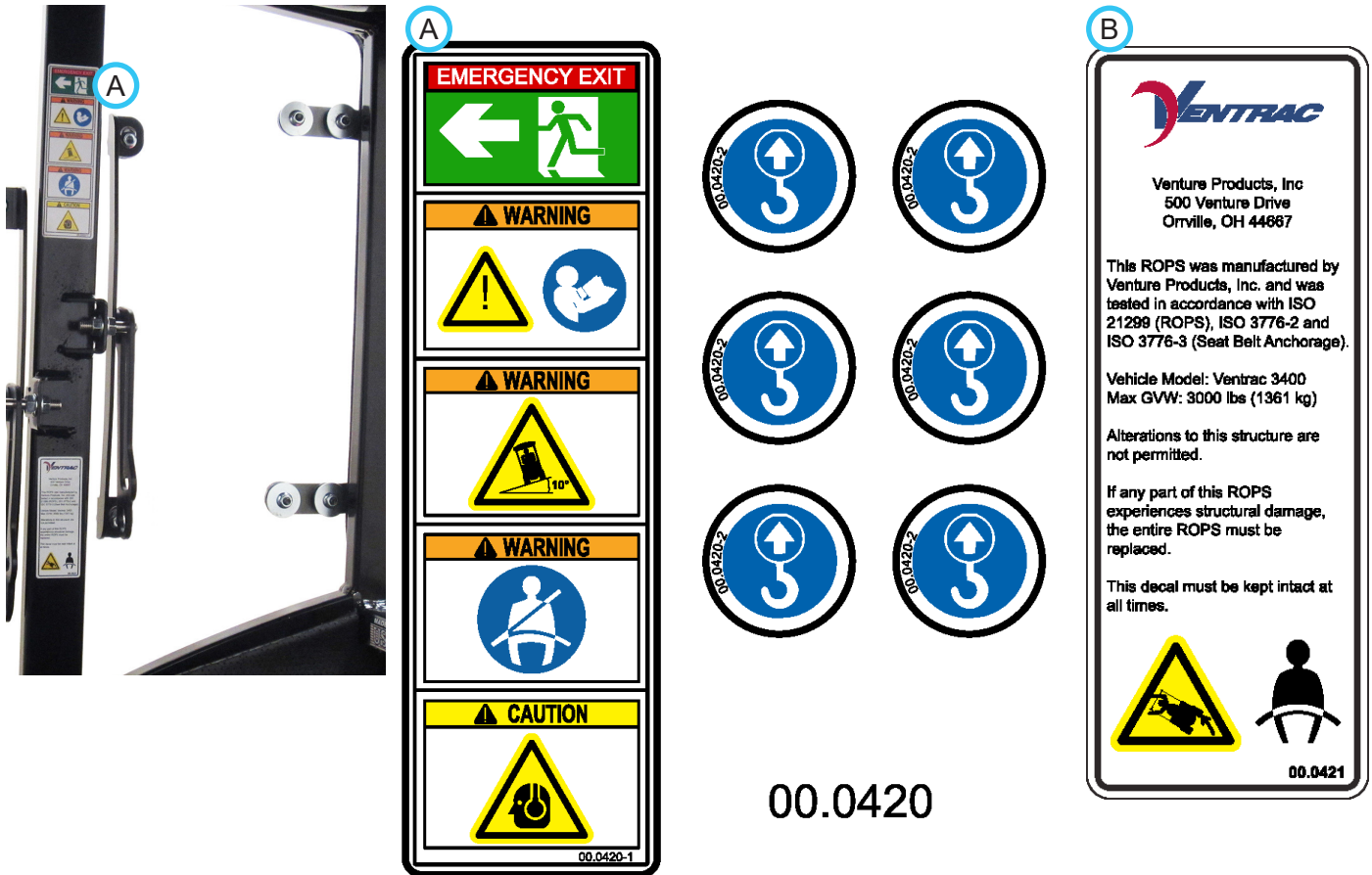
SAFETY

Safety Decals

The following safety decals must be maintained on your LW452 weather cab.

Keep all safety decals legible. Remove all grease, dirt, and debris from safety decals and instructional labels. If any decals are faded, illegible, or missing, contact your dealer promptly for replacements.

When new components are installed, be sure that current safety decals are affixed to the replacement components.



Decal	Description	Part Number	Quantity
A	Warning, LW452	00.0420	1
B	Decal, ROPS	00.0421	1

SAFETY



General Safety Procedures for Ventrac Power Units, Attachments, & Accessories



Training Required

- The owner of this machine is solely responsible for properly training the operators.
- The owner/operator is solely responsible for the operation of this machine and prevention of accidents or injuries occurring to him/herself, other people, or property.
- Do not allow operation or service by children or untrained personnel. Local regulations may restrict the age of the operator.
- Before operating this machine, read the operator's manual and understand its contents.
- If the operator of the machine cannot understand this manual, then it is the responsibility of this machine's owner to fully explain the material within this manual to the operator.
- Learn and understand the use of all controls.
- Know how to stop the power unit and all attachments quickly in the event of an emergency.



Requirements for Personal Protective Equipment (PPE)

The owner is responsible for ensuring that all operators use the proper PPE while operating the machine. Whenever you use the machine, use the following PPE:



- Certified eye protection and hearing protection.
- Closed toe, slip resistant footwear.
- Long pants.
- A dust mask for dusty conditions.

Operation Safety

- Inspect machine before operation. Repair or replace any damaged, worn, or missing parts. Be sure guards and shields are in proper working condition and are secured in place. Make all necessary adjustments before operating machine.
- Some pictures in this manual may show shields or covers opened or removed in order to clearly illustrate any instructions. Under no circumstance should the machine be operated without these devices in place.
- Alterations or modifications to this machine can reduce safety and could cause damage to the machine. Do not alter safety devices or operate with shields or covers removed.
- Before each use, verify that all controls function properly and inspect all safety devices. Do not operate if controls or safety devices are not in proper working condition.
- Check parking brake function before operating. Repair or adjust parking brake if necessary.
- Observe and follow all safety decals.
- All controls are to be operated from the operator's station only.
- Always wear a seat belt if the machine has a roll cage/bar installed and in upright position.
- Ensure the attachment or accessory is locked or fastened securely to the power unit before operating.
- Ensure that all bystanders are clear of the power unit and attachment before operating. Stop machine if someone enters your work area.
- Always be alert to what is happening around you, but do not lose focus on the task you are performing. Always look in the direction the machine is moving.
- Look behind and down before backing up to be sure of a clear path.
- If you hit an object, stop and inspect the machine. Make all necessary repairs before operating machine again.
- Stop operation immediately at any sign of equipment failure. An unusual noise can be a warning of equipment failure or a sign that maintenance is required. Make all necessary repairs before operating machine again.
- If equipped with a high/low range feature, never shift between high and low range while on a slope. Always move the machine to level ground and engage the parking brake before shifting range.

SAFETY



General Safety Procedures for Ventrac Power Units, Attachments, & Accessories



Operation Safety (continued)

- Do not leave machine unattended while it is running.
- Always park the machine on level ground.
- Always shut off engine when connecting attachment drive belt to the power unit.
- Never leave the operator's station without lowering the attachment to the ground, setting the parking brake, shutting off the engine, and removing the ignition key. Make sure all moving parts have come to a complete stop before dismounting.
- Never leave equipment unattended without lowering the attachment to the ground, setting the parking brake, shutting off the engine, and removing the ignition key.
- Only operate in well-lit conditions.
- Do not operate when there is a risk of lightning.
- Never direct the discharge of any attachment in the direction of people, buildings, animals, vehicles, or other objects of value.
- Never discharge material against a wall or obstruction. Material may ricochet back towards the operator.
- Use extra caution when approaching blind corners, shrubs, trees, or other objects that may obscure vision.
- Do not run the engine in a building without adequate ventilation.
- Do not touch the engine or the muffler while the engine is running or immediately after stopping the engine. These areas may be hot enough to cause a burn.
- Do not change the engine governor settings or over-speed the engine. Operating engine at excessive speed may increase the hazard of personal injury.
- To reduce the hazard of fire, keep the battery compartment, engine, and muffler areas free of grass, leaves, excessive grease, and other flammable materials.
- Secure long hair and loose clothing. Do not wear jewelry.

Preventing Accidents



- Clear working area of objects that might be hit or thrown from machine.
- Keep people and pets out of working area.
- Know the work area well before operation. Do not operate where traction or stability is questionable.
- Reduce speed when you are operating over rough ground.
- Equipment can cause serious injury and/or death when improperly used. Before operating, know and understand the operation and safety of the power unit and the attachment being used.
- Do not operate machine if you are not in good physical and mental health, if you will be distracted by personal devices, or are under the influence of any substance which might impair decision, dexterity, or judgment.
- Children are attracted to machine activity. Be aware of children and do not allow them in the working area. Turn off the machine if a child enters the work area.



Keep Riders Off

- Only allow the operator on the power unit. Keep riders off.
- Never allow riders on any attachment or accessory.

SAFETY

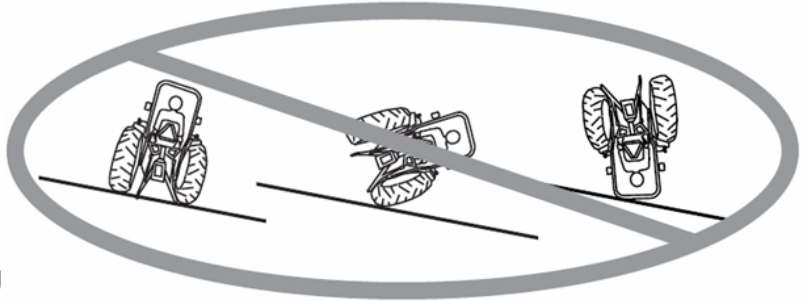


General Safety Procedures for Ventrac Power Units, Attachments, & Accessories



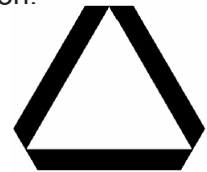
Operating On Slopes

- Slopes can cause loss-of-control and tip-over accidents, which can result in severe injury or death. Be familiar with the emergency parking brake, along with the power unit controls and their functions.
- If power unit is equipped with a fold down roll bar, it must be locked in the upright position when operating on any slope.
- Use low range (if equipped) when operating on slopes greater than 15 degrees.
- Do not stop or start suddenly when operating on slopes.
- Never shift between high and low range while on a slope. Always move the power unit to level ground and engage the parking brake before shifting range or placing the power unit in neutral.
- Variables such as wet surface and loose ground will reduce the degree of safety. Do not drive where machine could lose traction or tip over.
- Keep alert for hidden hazards in the terrain.
- Stay away from drop-offs, ditches, and embankments.
- Sharp turns should be avoided when operating on slopes.
- Pulling loads on hills decreases safety. It is the responsibility of the owner/operator to determine loads that can safely be controlled on slopes.
- Transport machine with attachment lowered or close to the ground to improve stability.
- While operating on slopes, drive in an up and down direction when possible. If turning is necessary while driving across slopes, reduce speed and turn slowly in the downhill direction.
- Ensure a sufficient supply of fuel for continuous operation. A minimum of one-half tank of fuel is recommended.



Roadway Safety

- Operate with safety lights when operating on or near roadways.
- Obey all state and local laws concerning operation on roadways.
- Slow down and be careful of traffic when operating near or crossing roadways. Stop before crossing roads or sidewalks. Use care when approaching areas or objects that may obscure vision.
- If there is doubt of safety conditions, discontinue machine operation until a time when operation can be performed safely.
- When operating near or on roadways, have a Slow Moving Vehicle Emblem clearly displayed.



Truck Or Trailer Transport

- Use care when loading or unloading machine into a truck or trailer.
- Use full width ramps for loading machine into a truck or trailer.
- The parking brake is not sufficient to lock the machine during transport. Always secure the power unit and/or attachment to the transporting vehicle securely using straps, chains, cable, or ropes. Both front and rear straps should be directed down and outward from the machine.
- Shut off fuel supply to power unit during transport on truck or trailer.
- If equipped, turn the battery disconnect switch to the Off position to shut off electrical power.

SAFETY



General Safety Procedures for Ventrac Power Units, Attachments, & Accessories



Maintenance

- Keep all safety decals legible. Remove all grease, dirt, and debris from safety decals and instructional labels.
- If any decals are faded, illegible, or missing, contact your dealer promptly for replacements.
- When new components are installed, be sure that current safety decals are affixed to the replacement components.
- If any component requires replacement, use only original Ventrac replacement parts.
- Always turn the battery disconnect to the Off position or disconnect the battery before performing any repairs. Disconnect the negative terminal first and the positive terminal last. Reconnect the positive terminal first and the negative terminal last.
- Keep all bolts, nuts, screws, and other fasteners properly tightened.
- Always lower the attachment to the ground, engage parking brake, shut off engine, and remove the ignition key. Make sure all moving parts have come to a complete stop before cleaning, inspection, adjusting or repairing.
- If the power unit, attachment, or accessory requires repairs or adjustments not instructed in the operator's manual, the power unit, attachment, or accessory must be taken to an authorized Ventrac dealer for service.
- Never perform maintenance on the power unit and/or attachment if someone is in the operator's station.
- Always use protective glasses when handling the battery.
- Check all fuel lines for tightness and wear on a regular basis. Tighten or repair them as needed.
- To reduce the hazard of fire, keep the battery compartment, engine, and muffler areas free of grass, leaves, and excessive grease.
- Do not touch the engine, the muffler, or other exhaust components while the engine is running or immediately after stopping the engine. These areas may be hot enough to cause a burn.
- Allow the engine to cool before storing and do not store near an open flame.
- Do not change the engine governor settings or over-speed the engine. Operating engine at excessive speed may increase the hazard of personal injury.
- Springs may contain stored energy. Use caution when disengaging or removing springs and/or spring loaded components.
- An obstruction or blockage in a drive system or moving/rotating parts may cause a buildup of stored energy. When the obstruction or blockage is removed, the drive system or moving/rotating parts may move suddenly. Do not attempt to remove an obstruction or blockage with your hands. Keep hands, feet, and clothing away from all power-driven parts.

Fuel Safety



- To avoid personal injury or property damage, use extreme care in handling gasoline. Gasoline is extremely flammable and the vapors are explosive.
- Do not refuel machine while smoking or at a location near flames or sparks.
- Always refuel the machine outdoors.
- Do not store machine or fuel container indoors where fumes or fuel can reach an open flame, spark, or pilot light.
- Only store fuel in an approved container. Keep out of reach of children.
- Never fill containers inside a vehicle or on a truck or trailer bed with a plastic liner. Always place containers on the ground away from your vehicle before filling.
- Remove machine from the truck or trailer and refuel it on the ground. If this is not possible, refuel the machine using a portable container, rather than from a fuel dispenser nozzle.
- Never remove fuel cap or add fuel with the engine running. Allow engine to cool before refueling.
- Never remove fuel cap while on a slope. Only remove when parked on a level surface.
- Replace all fuel tank and container caps securely.

SAFETY



General Safety Procedures for Ventrac Power Units, Attachments, & Accessories



Fuel Safety (continued)

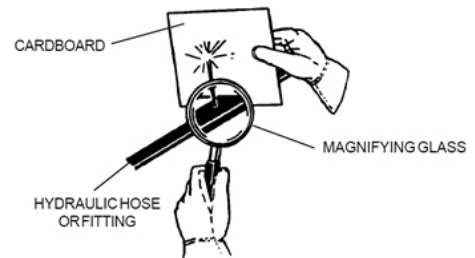
- Do not overfill fuel tank. Only fill to bottom of fuel neck, do not fill fuel neck full. Overfilling of fuel tank could result in engine flooding, fuel leakage from the tank, and/or damage to the emissions control system.
- If fuel is spilled, do not attempt to start the engine. Move the power unit away from the fuel spill and avoid creating any source of ignition until fuel vapors have dissipated.
- If the fuel tank must be drained, it should be drained outdoors into an approved container.
- Check all fuel lines for tightness and wear on a regular basis. Tighten or repair them as needed.
- The fuel system is equipped with a shut-off valve. Shut off the fuel when transporting the machine to and from the job, when parking the machine indoors, or when servicing the fuel system.

Hydraulic Safety

- Make sure all hydraulic connections are tight and all hydraulic hoses and tubes are in good condition. Repair any leaks and replace any damaged or deteriorated hoses or tubes before starting the machine.
- Hydraulic leaks can occur under high pressure. Hydraulic leaks require special care and attention.
- Use a piece of cardboard and a magnifying glass to locate suspected hydraulic leaks.



- Keep body and hands away from pinhole leaks or nozzles that eject high pressure hydraulic fluid. Hydraulic fluid escaping under high pressure can penetrate the skin causing serious injury, leading to severe complications and/or secondary infections if left untreated. If hydraulic fluid is injected into the skin, seek immediate medical attention no matter how minor the injury appears.



- Hydraulic system may contain stored energy. Before performing maintenance or repairs on the hydraulic system, remove attachments, engage parking brake, disengage weight transfer system (if equipped), shut off engine, and remove ignition key. To relieve pressure on the auxiliary hydraulic system, shut off the power unit engine and move the hydraulic control lever left and right before disconnecting the auxiliary hydraulic quick couplers.

SAFETY



LW452 Safety Procedures



WARNING

10 degree maximum angle of operation of power unit with weather cab installed.

CAUTION

Do not exceed 30 amp draw to weather cab and additional accessories.

- Do not operate if visibility is restricted due to snow or ice accumulations or due to fogging of windows. Clear any ice or snow from the windows and windshield wiper and/or defrost the windows prior to operation.
- The cab door must be closed and latched during operation of power unit and LW452 weather cab.
- Window latches must be locked in either the closed or open position during operation of power unit and LW452 weather cab.
- Do not place any part of your body outside of the cab (through windows, door, or any other opening) during operation of power unit and LW452 weather cab.
- The LW452 weather cab is equipped with an emergency exit (the right side front window). Learn to use the emergency exit prior to operating the power unit and LW452 weather cab. Refer to the Operational Controls section of this manual for instructions on using the emergency exit.
- Inspect the LW452 weather cab after striking any object to assure that all cab parts are safe, secure, and undamaged. Make all necessary repairs before proceeding.
- Do not modify or alter the LW452 weather cab, or any of its components or operating functions.

Roll Over Protective Structure

Your LW452 weather cab is equipped with a Roll Over Protective Structure (ROPS).

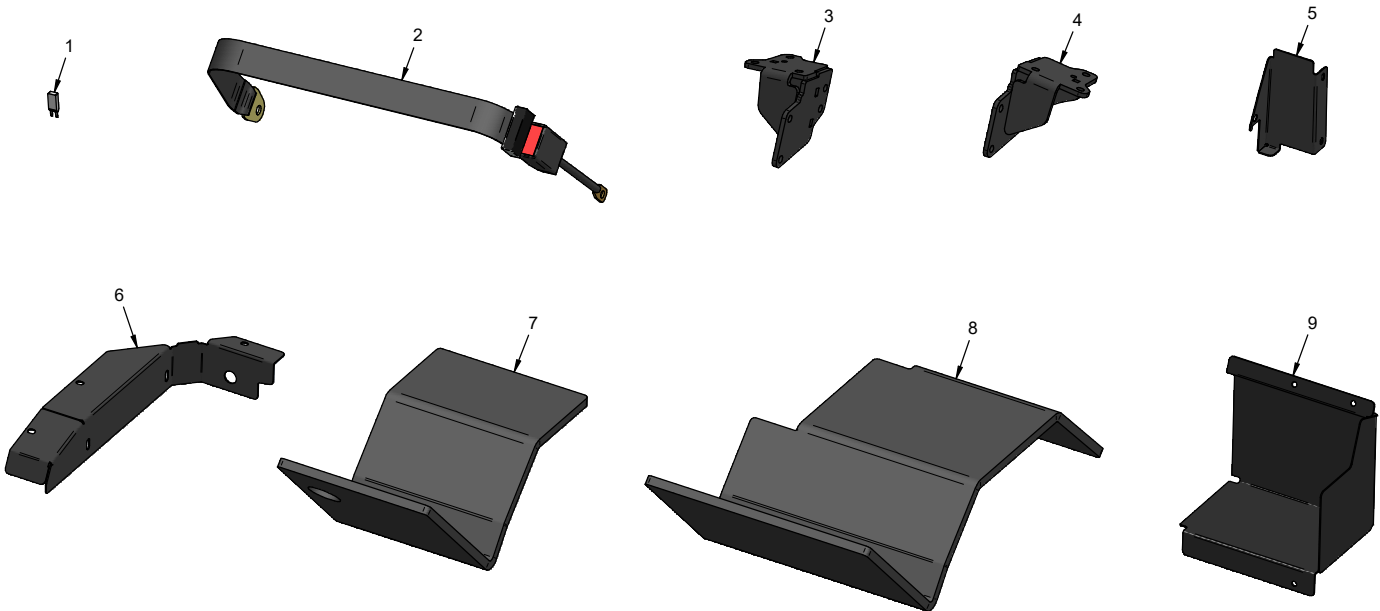
- Certified seat belt anchor: ISO 3776-2 & 3776-3.
- Certified ROPS: ISO 21299 = maximum GVW of 3,000 pounds (1,361 kg).
 - Always wear the seat belt during operation. Never jump from the power unit.
 - If damaged, the ROPS or seat belt must be replaced before operation.

WARNING

Alterations or modifications to this machine can reduce safety and could cause damage to the machine. Do not alter safety devices or operate with shields or covers removed.

WEATHER CAB SETUP INSTRUCTIONS

Identification of Parts



Parts List		
Ref.	Name	Qty.
1	Breaker, Circuit 30 Amp Mini	1
2	Seat Belt, Lap W/Buckle	1
3	Mount, Cab Frame Rear Right	1
4	Mount, Cab Frame Rear Left	1
5	Panel, Front Dash Cover	1
6	Panel, Lower Dash - SDLA	1
7	Floor Mat, Right	1
8	Floor Mat, Left	1
9	Cover, Left Rear Floor	1
-	Key, Door Handle (not shown)	2

Hardware List (not pictured)		
Part #	Name	Qty.
90.0406	Bolt, 1/4-20 USS x 3/4	19
90.0608	Bolt, 3/8-16 USS x 1	20
95.04	Washer, Flat 1/4 SAE	19
95.06	Washer, Flat 3/8 SAE	20
99.SF04	Nut, SRF 1/4-20 USS	12
99.SF06	Nut, SRF 3/8-16 USS	20

WEATHER CAB SETUP INSTRUCTIONS

Setup Instructions for Power Unit & Weather Cab

Installation Time (estimated)

3.0 hours

⚠ WARNING

Before making repairs or adjustments, set the parking brake, turn off engine, and remove ignition key. Always disconnect the negative battery cable from the battery when working with electrical components. Always work in a manner that does not put safety at risk!

⚠ WARNING

Safety glasses must be worn during installation. Ear (hearing) protection must be worn when using air or power tools.

⚠ WARNING

To lift the cab, use a Ventrac lift sling (part # 47.0381) attached at the four corner lift points or remove the cab roof and attach a lifting device rated for 500 lbs (226 kg) minimum to the two lift points in the cab roof. Never walk or stand beneath cab when it is raised off the ground.

Unless specified otherwise, use the bolt torque specifications listed below for all bolts used during setup and installation of the weather cab.

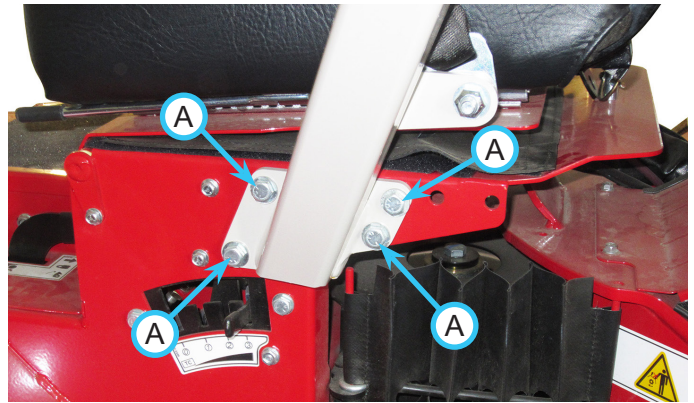
Bolt Torque Specifications

Bolt Size	Torque (English)	Torque (Metric)
1/4-20	100 in-lbs.	11.5 Nm
3/8-16	31 ft-lbs.	42 Nm
7/16-14	50 ft.lbs	68 Nm

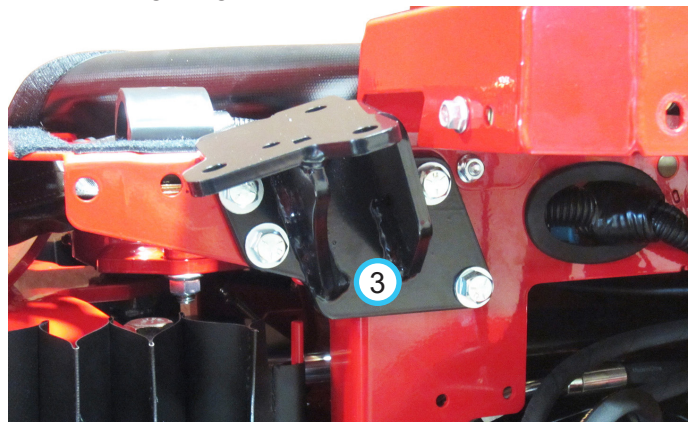
Prior to beginning weather cab installation, install any accessory kits onto the cab.

1. Park the power unit on a level surface.
2. Shut off the power unit's engine, engage the parking brake, and remove the key from the ignition.
3. Turn the battery disconnect switch to the Off position.
4. Remove the SDLA access cover from the power unit.

5. Remove the canvas cover from underneath the power unit's seat.
6. If the ROPS bar is equipped with any light kits, disconnect the harness(es) underneath the power unit seat.
7. Remove the ROPS bar from the power unit. Use a hoist to support the ROPS bar while removing the eight bolts (A) that fasten the left and right posts to the power unit frame. After removal, store the ROPS bar for reuse if the weather cab is removed.



8. Install the right rear cab frame mount (3) onto the power unit frame using four 3/8 x 1" bolts, flat washers, and flange nuts. Tighten by hand until finger tight.



9. Install the left rear cab frame mount onto the power unit frame using four 3/8 x 1" bolts, flat washers, and flange nuts. Tighten by hand until finger tight.

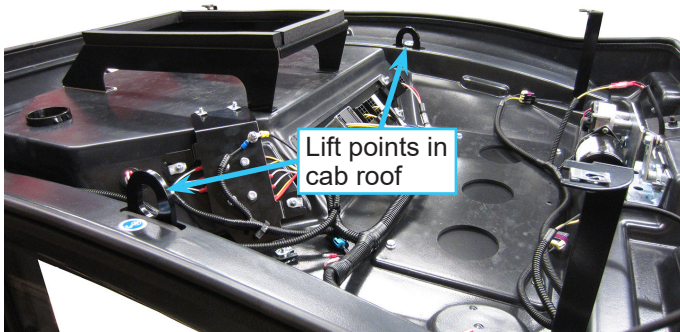
WEATHER CAB SETUP INSTRUCTIONS

10. Attach a lifting device to the weather cab.

⚠ WARNING

To lift the cab, use a Ventrac lift sling (part # 47.0381) attached at the four corner lift points or remove the cab roof and attach a lifting device rated for 500 lbs (226 kg) minimum to the two lift points in the cab roof. Lift point decals are located at each lift point for easy identification.

Never walk or stand beneath cab when it is raised off the ground.

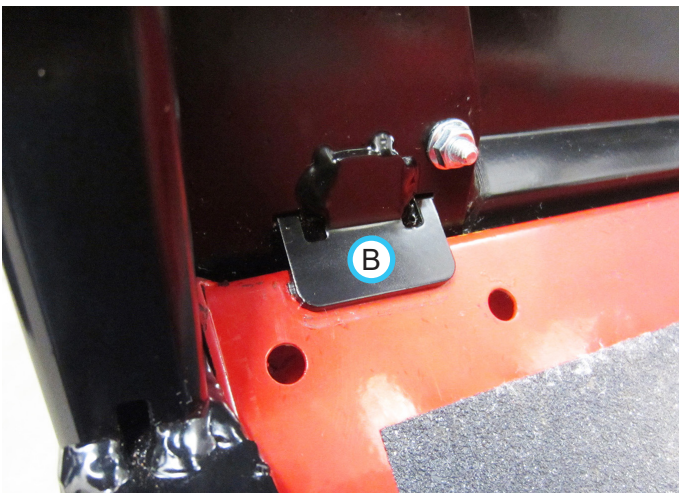


11. Unfasten the weather cab from the crate brackets.

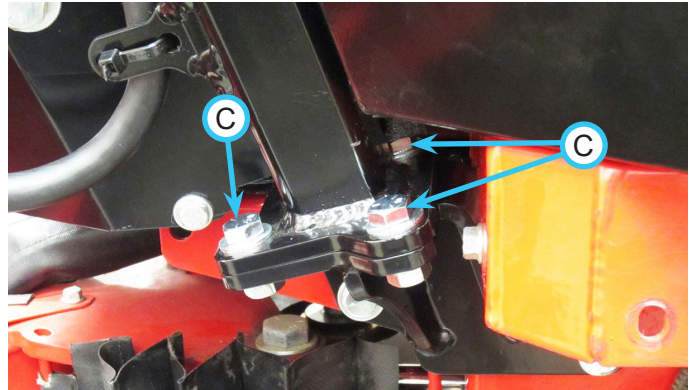
12. Lift the weather cab and position it over the power unit.

13. After the weather cab is positioned over the power unit, tilt the power unit's seat forward to allow the rear surround panels on the cab to clear the seat plate.

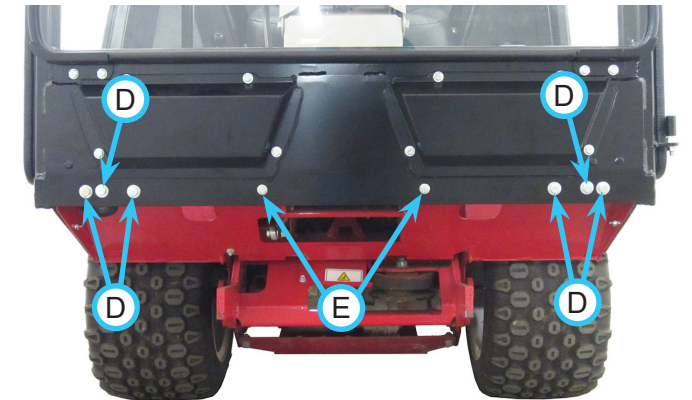
14. Lower the weather cab onto the power unit. The front angle brackets (B) on the cab sit over the bend in the front of the power unit frame.



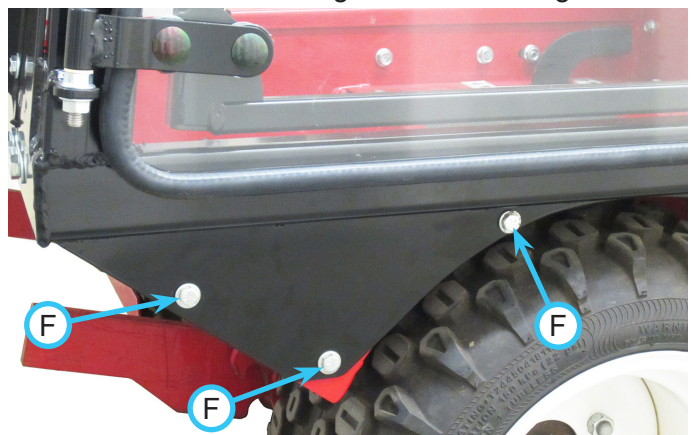
15. Align the rear cab posts with the rear cab frame mounts and fasten with three 3/8 x 1" bolts (C), flat washers, and flange nuts on each side. Tighten by hand until finger tight.



16. Fasten the front of the weather cab to the front flange of the power unit using six 3/8 x 1" bolts (D), flat washers, and flange nuts and two 1/4 x 3/4" bolts (E), flat washers, and flange nuts. Do not tighten.



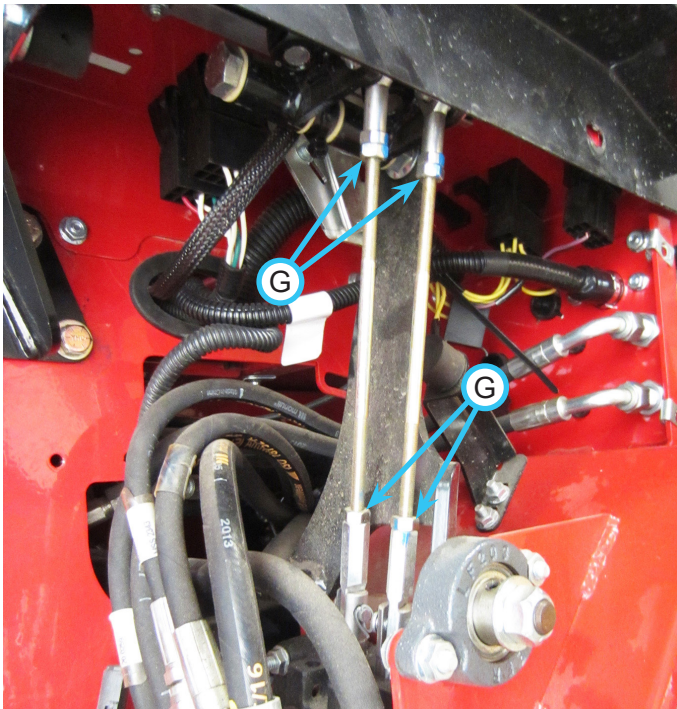
17. Fasten the left front flange of the weather cab to the power unit using three 1/4 x 3/4" bolts (F), flat washers, and flange nuts. Do not tighten.



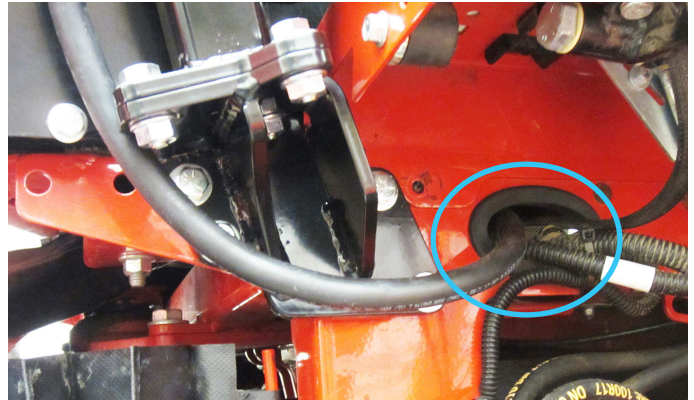
18. Fasten the right front flange of the weather cab to the power unit using three 1/4 x 3/4" bolts, flat washers, and flange nuts. Do not tighten.

WEATHER CAB SETUP INSTRUCTIONS

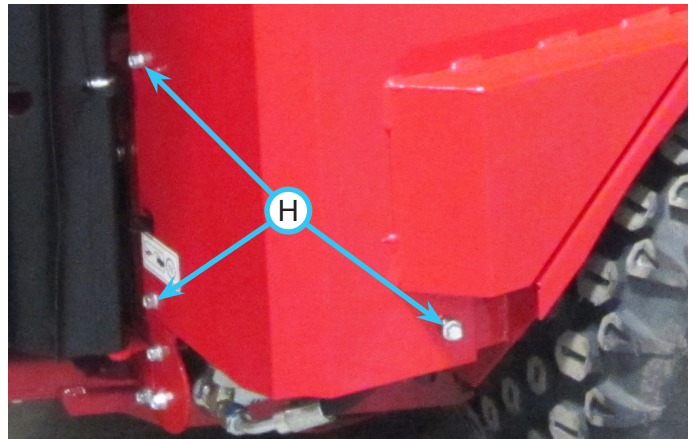
19. Once all the mounting bolts have been installed, tighten the six 3/8" bolts and the two 1/4" bolts that fasten the front of the weather cab to the front flange of the power unit.
20. Tighten the six 3/8" bolts that fasten the right and left rear weather cab posts to the rear cab frame mounts.
21. Tighten the eight 3/8" bolts that fasten the left and right rear cab frame mounts to the power unit.
22. Tighten the six 1/4" bolts that fasten the left and right front flanges of the weather cab to the power unit.
23. Move the primary SDLA lever to the float position and check for clearance between the operator's hand and the cab frame. If there is not enough clearance, the SDLA linkage will need to be adjusted.
24. Loosen the locking nuts (G) on the SDLA linkage rods and turn to adjust the primary SDLA handle in toward the operator. When the primary SDLA lever is adjusted to the desired location, adjust the secondary SDLA lever to match. Tighten the nuts against the rod ends to lock in place.



25. Route the cab wire harness under the right rear cab frame mount and through the grommet in the power unit frame.

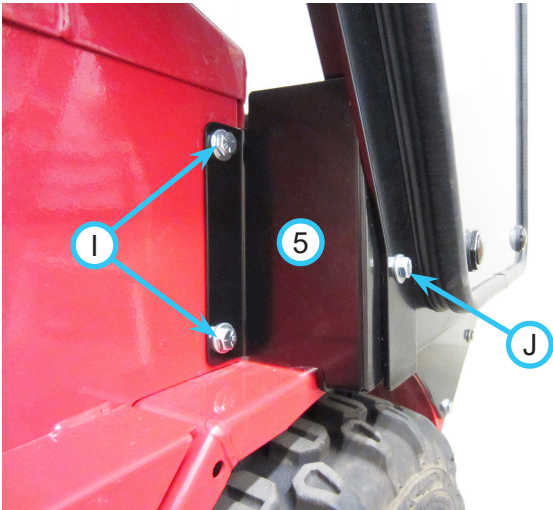


26. Locate the 2 position MP630 connector under the power unit seat with a red wire (labeled A-002) and a black wire (A-088). Remove the cap and connect to the cab harness. NOTE: save this cap to plug the connector if the cab is removed from the power unit.
27. Place the SDLA access cover into position and fasten loosely at three places (H) with flange bolts saved when removing the cover.

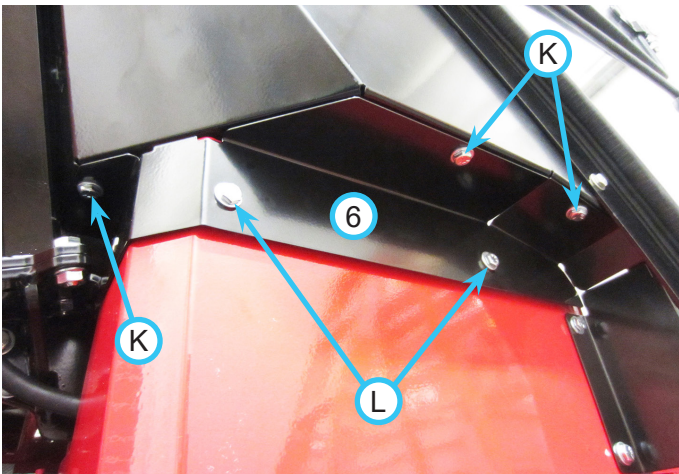


WEATHER CAB SETUP INSTRUCTIONS

28. Install the front dash cover panel (5) into the gap between the cab frame and the front of the dash panel. Fasten with two 1/4 x 3/4" bolts (I) and flat washers at the front two bolt locations on the SDLA access panel. Fasten to the weather cab frame using one 1/4 x 3/4" bolt (J), flat washer, and flange nut. Do not tighten hardware.



29. Install the lower dash SDLA panel (6) into the gap between the cab frame and the top of the dash panel. Fasten loosely with three 1/4 x 3/4" bolts (K) and flat washers up through the panel and into the u-nuts on the cab frame. Fasten loosely to the dash panel using two 1/4 x 3/4" bolts (L) and flat washers.



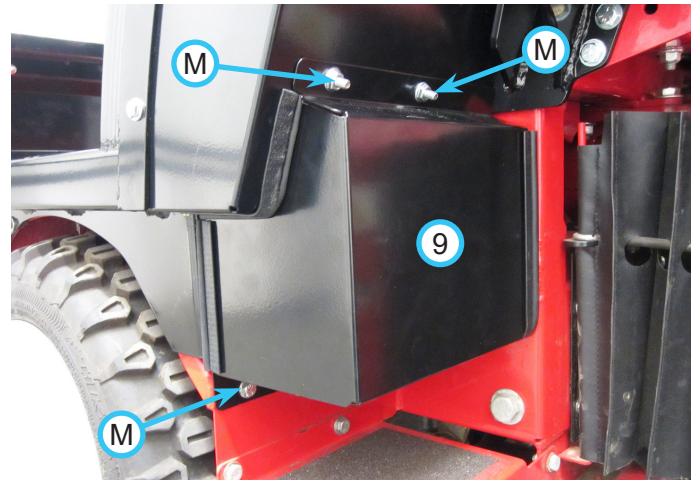
30. Tighten the three bolts (K) that fasten the lower dash SDLA panel (6) to the weather cab, then tighten the two bolts (L) that fasten the lower dash SDLA panel (6) to the dash panel.

31. Tighten the three bolts (I & J) that fasten the front dash cover panel (5) to the weather cab frame and the front of the dash panel.

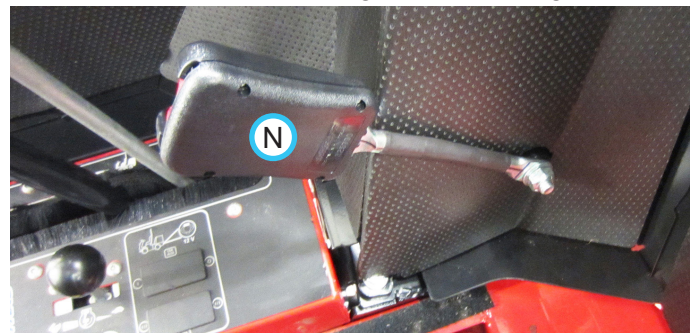
32. Tighten the three remaining bolts (H) that fasten the SDLA access cover to the power unit frame.

33. Install the left rear floor cover (9) onto the lower left rear corner of the weather cab, taking care not to damage the bulb seal on the cab frame that seals against the outer flange of the left rear floor cover. Fasten with three 1/4 x 3/4" bolts (M), flat washers, and flange nuts. Install the two upper bolts from inside the cab.

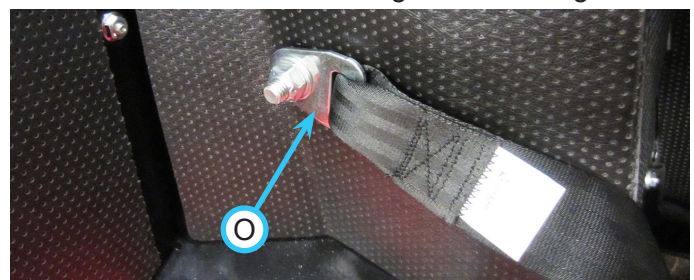
NOTE: if installing a windshield washer kit on the cab, mount the washer tank at this time. The lower holes on the tank mount to the same location as the two upper bolts on the left rear floor cover.



34. Locate the seat belt mounting hardware inside the cab. Remove the lock nut and washer from the right seat belt mounting bolt. Install the seat belt latch (N) onto the bolt and fasten with the washer and lock nut. Tighten until snug.

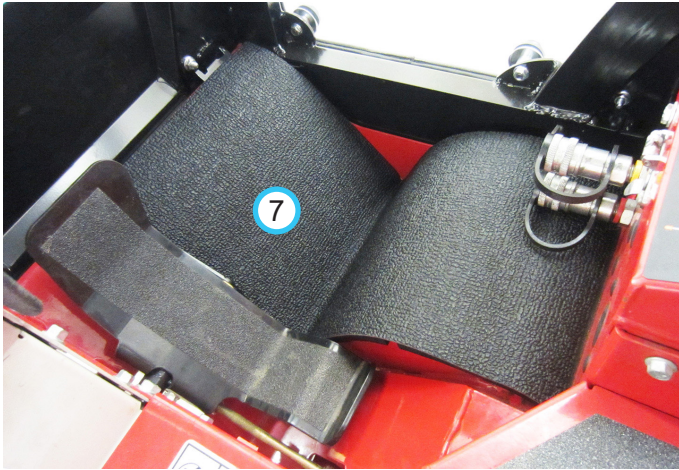


35. Remove the lock nut and washer from the left seat belt mounting bolt. Install the mounting flange (O) of the seat belt strap onto the bolt and fasten with the washer and lock nut. Tighten until snug.

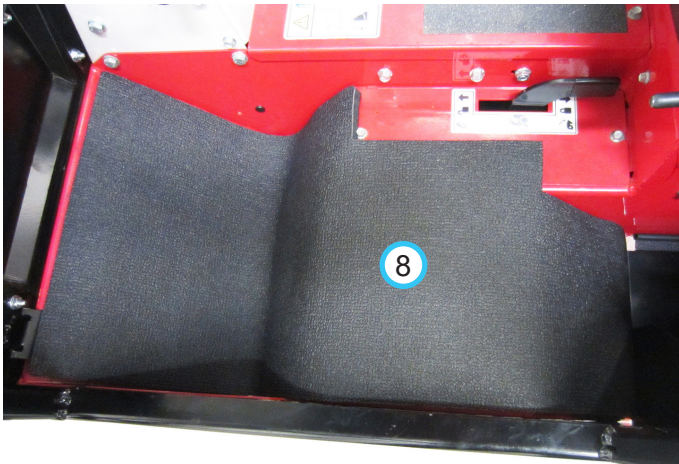


WEATHER CAB SETUP INSTRUCTIONS

36. Reinstall the canvas cover under the seat and lower the seat down to the operating position.
37. Install the right floor mat (7) in the right foot rest area next to the foot pedal.



38. Install the left floor mat (8) into the left foot rest area.



39. Install the 30 amp circuit breaker (1) into slot 2 in the rear fuse panel and reinstall the fuse panel cover.



40. Turn the battery disconnect switch to the On position.
41. Test the function of the cab lights and controls along with the function of any accessory kits installed on the weather cab.
42. Install the cab roof (if necessary).

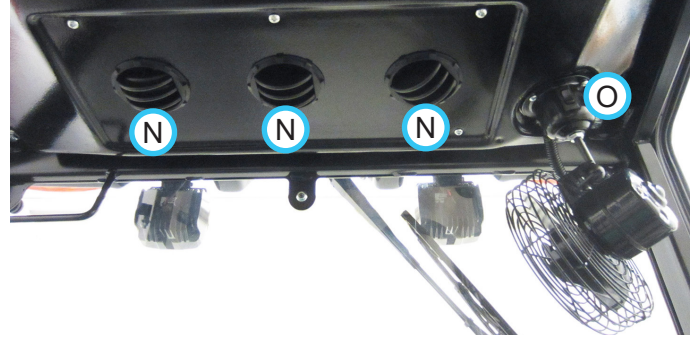
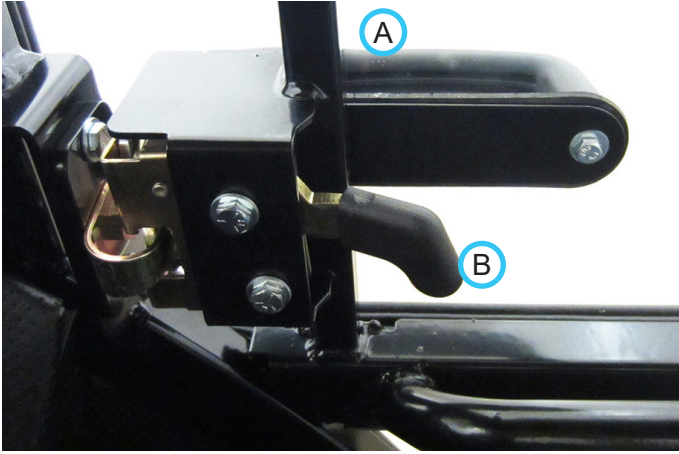
43. Check the power unit's tire pressure and adjust if necessary. Refer to the service section of this manual for recommended tire pressure with cab installed.

Installation is complete. For weather cab removal instructions, refer to Preparing the Weather Cab for Storage in the Service section of this manual.

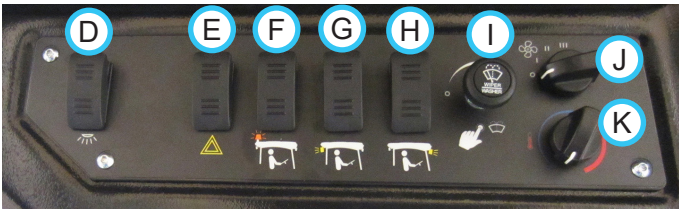
OPERATIONAL CONTROLS

Operational Control Locations

Use the following images to help identify the locations of operational controls. The letter next to each control can be referenced to the list that follows these images.



- A - Outer Door Handle & Lock**
- B - Inner Door Handle**
- C - Window Latch Handle**
- D - Interior Light Switch**
- E - Hazard Light Switch (Optional)**
- F - Strobe Light Switch (Optional)**
- G - Rear Work Light Switch**
- H - Front Work Light Switch**
- I - Windshield Wiper / Washer Switch**
- J - Heater Fan Speed Switch**
- K - Heater Temperature Switch**
- L - USB Receptacle**
- M - Rear Heater Vent**
- N - Main Heater Vents**
- O - Defrost Fan & Switch (Optional)**



Outer Door Handle & Lock (A)

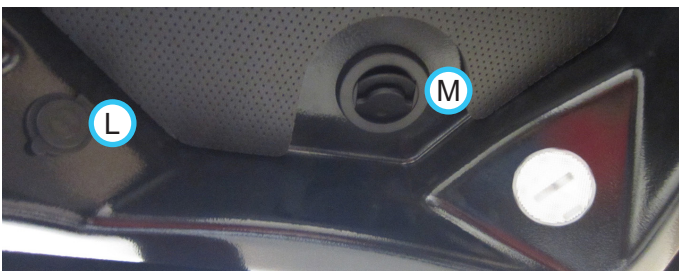
Push the button on the outer door handle to unlatch the door. The outer door handle can be locked with a key. Turn the key clockwise to lock and counter-clockwise to unlock the door.

Inner Door Handle (B)

Lift up on the inner door handle to unlatch the door. The door cannot be locked from the inside.

Window Latch Handle (C)

The side windows of the weather cab can be opened and latched in place. Raise the window latch handle, push out on the window, and lower the handle to latch in place. When the window is open, the latch handle can be pulled away and removed from the latch pin. This allows the right front window to be opened fully for use as an emergency exit and allows the side windows to be removed from the weather cab.



OPERATIONAL CONTROLS

Interior Light Switch (D)

Pressing the top portion of the interior light switch turns on the interior light located in the right rear corner of the headliner. Pressing the bottom portion of the switch turns the light off.

Hazard Light Switch (E)

Optional accessory. Pressing the top portion of the hazard light switch flashes four hazard lights on the weather cab corners. Pressing the bottom portion of the switch turns the hazard lights off.

Strobe Light Switch (F)

Optional accessory. Pressing the top portion of the strobe light switch turns on the strobe light mounted at the left rear corner of the weather cab. Pressing the bottom portion of the switch turns the strobe light off.

The strobe light has six different flasher modes that can be selected. Refer to the service section of this manual for instructions on changing the strobe light flasher mode.

Rear Work Light Switch (G)

Pressing the top portion of the rear work light switch turns on the rear work light. Pressing the bottom portion of the switch turns the work light off.

Front Work Light Switch (H)

Pressing the top portion of the front work light switch turns on the front work lights. Pressing the bottom portion of the switch turns the work lights off.

Windshield Wiper / Washer Switch (I)

The windshield wiper switch is equipped with an intermittent (variable delay) position and two fixed speed positions. The fixed speed positions are both set to run the wiper motor at the same speed.

Rotate the windshield wiper switch clockwise to turn on the windshield wiper. Continue rotating the switch clockwise until it clicks to select the fixed speed position.

Between the off and fixed positions is the intermittent position that sets the wiper speed to a long or short interval between wiper cycles. Rotate the switch clockwise for a shorter interval. Rotate the switch counterclockwise for a longer interval.

Heater Fan Speed Switch (J)

Rotate the heater fan speed switch to select the desired fan speed position - Off, Low, Medium, or High.

Heater Temperature Switch (K)

The temperature switch controls the air temperature from the heater. Rotate the switch clockwise for warmer air. Rotate the switch counterclockwise for cooler air.

USB Receptacle (L)

The USB receptacle has two USB ports for charging phones or other accessories.

Rear Heater Vent (M)

The rear heater vent can be rotated and the louvers tilted to direct airflow in the desired direction.

Do not rotate the vent by the louvers. Use the vent flange to rotate the vent.

Main Heater Vents (N)

The main heater vents can be rotated and the louvers tilted to direct airflow in the desired direction.

Do not rotate the vents by the louvers. Use the vent flange to rotate the vents.

Defrost Fan & Switch (O)

Optional accessory. The defrost fan has two speeds. Pressing the top portion of the switch turns the fan on low speed. Pressing the bottom portion of the switch turns the fan on high speed. Return the switch to the middle position to turn the fan off. The fan can be turned to direct the air where needed.

GENERAL OPERATION

Daily Inspection

WARNING

Always set the parking brake, shut off power unit engine, remove the ignition key, and ensure all moving parts have come to a complete stop before inspecting components, or attempting any repair or adjustment.

1. Park machine on a level surface, with the engine shut off and all fluids cold.
2. Perform a visual inspection of both the power unit and the weather cab. Ensure the weather cab is properly mounted to the power unit. Look for loose or missing hardware, damaged components, or signs of wear.
3. Check the power unit's lights along with work lights, hazard lights, and/or strobe light to ensure lights are working properly.
4. Inspect window and door seals for cracks or tears.
5. Inspect hydraulic hoses, hydraulic fittings, and fuel lines to ensure tight, leak free connections.

CAUTION

Leaking heater hoses and connections may cause burns or other injuries. They may also cause engine damage due to overheating from loss of coolant. Repair or replace defective heater hoses and connections immediately.

6. Inspect heater hoses (if equipped) for scratches, cracks, or swelling. Check for leaks at heater hose connections.
7. Refer to the power unit operator's manual. Check the power unit's engine oil, hydraulic oil, cooling system, tire pressure, and fuel level. Add fluid or service as required.
8. Repair or replace any damaged or non-working components.
9. Check the windshield wiper blade condition. Clear any ice or snow from the wiper before use. If blade is frozen to the windshield, carefully loosen or thaw the blade.
10. Clear any ice or snow from the windows and/or defrost the windows before use. Do not operate if visibility is restricted.
11. Test the power unit's operator safety interlock system*.

Using The Windshield Wiper In The Winter

- When the cab is not in use, keep the wiper blade off the windshield to prevent it from freezing to the glass.
- If the windshield is covered with snow, scrape the windshield before using the wipers.
- If the wiper blade is frozen to the windshield, place the wiper switch in the Off position and remove the ice from the wiper blade.

Strobe Light

The strobe light is mounted on a pivoting arm. Rotate the strobe light up during operation. Rotate the strobe light back and down for low clearance areas, transport, or storage.

The strobe light arm is held in place by a spring. If the strobe light or arm contacts an object, the spring releases the pivot arm to rotate either forward or backward away from the object. If this occurs, stop operation and return the strobe light to the operating position when clearance allows.

* Refer to power unit operator's manual for operation of power unit controls.

SERVICE

⚠ WARNING

Always set the parking brake, shut off power unit engine, remove the ignition key, and ensure all moving parts have come to a complete stop before inspecting components or attempting any repair or adjustment.



Attention

If any component requires replacement, use only original Ventrac replacement parts.

Cleaning and General Maintenance

For best results, and to maintain the finish of the LW452, clean or wash the weather cab to remove dirt, gravel, and salt deposits. Remove any ice or snow accumulations from the roof, windows, and accessories.



Attention

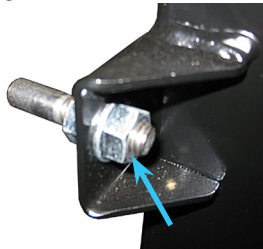
To maintain the finish of the weather cab and accessories, thoroughly wash the equipment after each use to remove any corrosive agents (e.g., salt). Failure to clean the equipment may result in corrosion of (including but not limited to) steel, aluminum, and electrical components. Equipment that will experience repeated exposure to corrosive agents should be pretreated with a corrosion preventative.

Window Latch Adjustment

The window latch pins can be adjusted if the windows do not close properly.

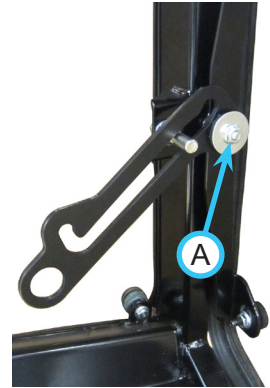
If the window does not seal correctly, loosen the nut on the window latch pin and move away from the window slightly.

If the window latch is hard to close, move the window latch pin toward the window slightly.



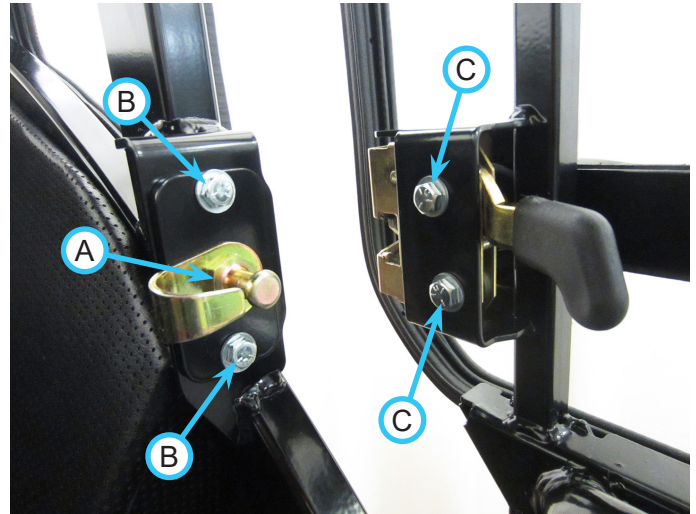
Window Latch Handle Adjustment

If the window latch handle is not properly positioned when latched (to close to the glass or sticks out too far from the glass), the window latch handle position can be adjusted. Unlatch the handle, loosen the handle bolt (A), and move the handle up or down in the mounting slot. Moving the handle up will position the handle closer to the glass when latched. Moving the handle down will position the handle farther from the glass when latched.



Door Latch Adjustment

If the door does not latch or seal properly, the striker pin and door latch can be adjusted for proper alignment. If the striker pin and door latch are misaligned vertically, loosen the striker pin (A) and move up or down until properly aligned with the door latch.



If the door does not latch because the latch pin is set too deep or if the door latches but does not seal properly, loosen the 2) striker mounting plate bolts (B) and move the striker mounting plate in or out to the proper depth.

If the door does not latch because the door latch hits the striker pin too far to the front or back, loosen the inner door latch bolts (C) and move the inner door latch forward or rearward until properly aligned.

Door Latch Lubrication

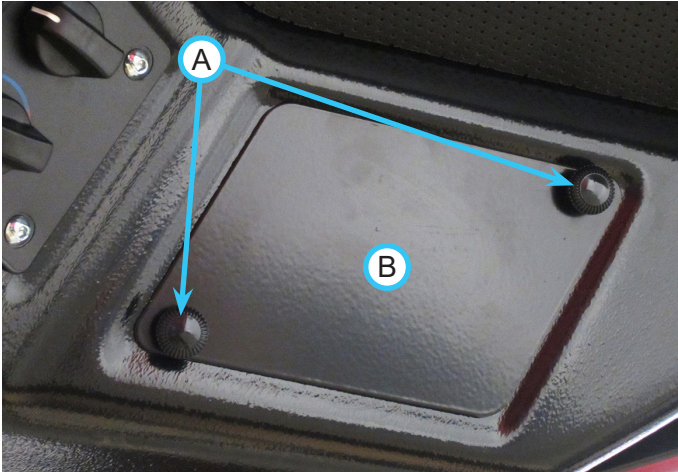
Lubricate the door latch mechanism every 50 hours with a spray lube or light weight oil. Use a cloth to protect the window glass from the spray and wipe off any excess oil to prevent dripping.

SERVICE

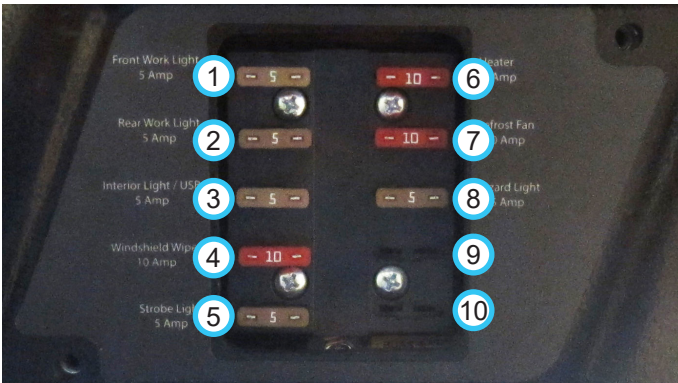
Fuse Replacement

The fuse panel is located in the headliner to the right of the main control panel.

1. Remove the two thumb screws (A) from the fuse panel cover (B).



2. Remove the defective fuse from the socket.



Position	Fuse	Circuit
1	5 amp	Front Work Lights
2	5 amp	Rear Work Light
3	5 amp	Interior Light / USB outlet
4	10 amp	Windshield Wiper / Washer
5*	5 amp	Strobe Light
6	10 amp	Heater
7*	10 amp	Defrost Fan
8*	5 amp	Hazard Lights
9	-	Open
10	-	Open

*Optional accessory.

CAUTION

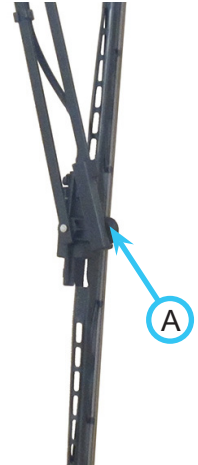
Always use the correct amperage fuse. If a fuse continuously burns out, it is a sign of a problem with the wires and/or the device being supplied power. Correct the problem before replacing the fuse.

3. Push a new fuse into the socket.
4. Reinstall the fuse panel cover and thumb screws.

Wiper Blade Replacement

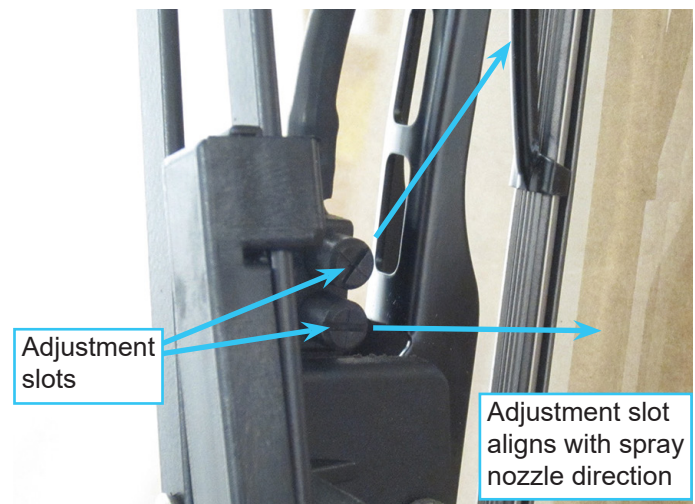
The wiper blade should be replaced on a yearly basis, or sooner if the blade does not clean the windshield effectively.

1. Remove the nut (A) and bolt that fasten the wiper blade to the wiper arm.
2. Install new wiper blade and reinstall the nut and bolt.



Windshield Washer Nozzle Adjustment

If necessary, adjust the spray nozzles on the wiper arm. There are four nozzles (A) on the wiper arm. Check to make sure the two lower nozzles are spraying straight in, perpendicular to the glass. The two upper nozzles should be adjusted so the washer fluid wets the windshield at the top edge of the wiper blade. The nozzles have a slot for making adjustments using a flat blade screwdriver.



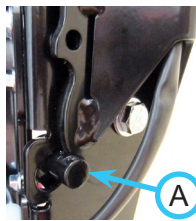
SERVICE

Changing the Strobe Light Flasher Mode

1. Remove the roof from the top of the cab.
2. Locate the wires from the strobe light where they connect to the main wire harness. The yellow wire is used to cycle the strobe light modes.
3. Turn the power unit key switch to the On position to allow power to the cab.
4. Turn the strobe light switch to the on position.
5. Insert the bare end of the yellow wire into the back of the terminal on the red power supply wire. Each time you touch the yellow wire against the red wire, the strobe will change modes.
6. When the desired mode is reached, turn off the strobe light, turn the power unit key to the Off position, and replace the cab roof.

Strobe Light Pin Lubrication

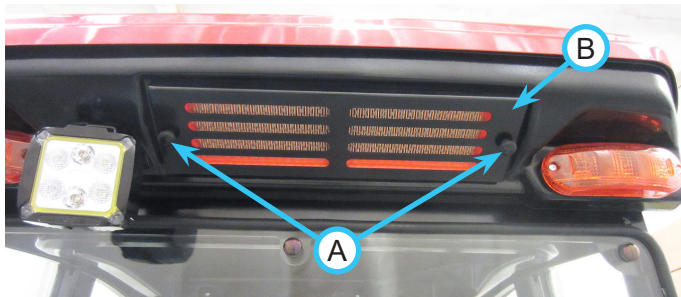
Apply a thin film of grease to the pin (A) on the spring latch arm every 50 hours of operation.



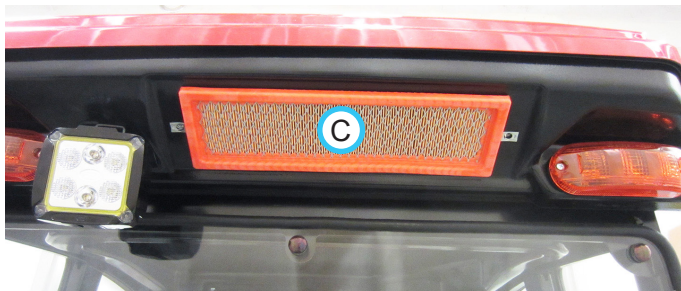
Heater Air Filter Replacement

The heater air intake filter should be replaced on a yearly basis, or sooner if operating in dusty conditions.

1. Remove the two thumb screws (A) holding the filter cover (B) onto the cab.



2. Remove the air filter (C) from the cab air intake vent and insert the replacement filter.



3. Reinstall the filter cover and thumb screws.

Storage

Preparing the Weather Cab for Storage

1. Clean the weather cab.



Attention

To maintain the finish of the power unit and attachment, thoroughly wash the equipment to remove any corrosive agents (e.g., salt). Failure to clean the equipment may result in corrosion of (including but not limited to) steel, aluminum, and electrical components.

2. Inspect for loose or missing hardware, damaged components, or signs of wear.
3. Inspect safety decals, Replace any safety decals that are faded, illegible, or missing.

Removing the Weather Cab

WARNING

Before making repairs or adjustment, set the parking brake, turn off engine, and remove ignition key. Always disconnect the negative battery cable from the battery when working with electrical components. Always work in a manner that does not put safety at risk!

WARNING

Safety glasses must be worn during removal. Ear (hearing) protection must be worn when using air or power tools.

WARNING

To lift the cab, use a Ventrac lift sling (part # 47.0381) attached at the four corner lift points or remove the cab roof and attach a lifting device rated for 500 lbs (226 kg) minimum to the two lift points in the cab roof. Never walk or stand beneath cab when it is raised off the ground.

WARNING

Place wheel chocks in front and back of wheels to prevent power unit from rolling during removal of weather cab from the power unit.

1. Park the power unit on a level surface.

SERVICE

2. Shut off the power unit's engine, engage the parking brake, and remove the key from the ignition.
3. Turn the battery disconnect switch to the Off position.
4. Place wheel chocks in front and back of wheels to prevent power unit from rolling.
5. If the weather cab is equipped with a heater, locate the connections of the cab heater hoses and the power unit heater hoses between the cab and the power unit hood. Pinch the hoses on each side of the connections to prevent loss of fluid.
6. Disconnect the heater hoses and cap the ends with fittings provided with the heater kit.
7. Remove the Velcro ties that fasten the cab heater hoses to the power unit frame and remove the hoses from the power unit.
8. Remove the left rear floor cover from the weather cab and place in the storage box.
9. Remove the lower dash SDLA panel and the front dash cover panel from the weather cab and power unit. Place in a box to store with the weather cab.
10. Remove the SDLA access cover.
11. Disconnect the cab wire harness under the power unit seat and remove the harness from the power unit. Cap the connector on the power unit's harness.
12. Coil up the heater hoses (if equipped) and the wire harness and fasten to the rear cab post(s).
13. Wind up the seat belt strap and secure to the seat belt strap mounting flange.
14. Remove the right and left floor mats from the power unit and place in the storage box.
15. Attach a lifting device to the weather cab.
16. Remove the six 1/4" bolts that fasten the right and left cab side panels to the power unit.
17. Remove the six 3/8" bolts and two 1/4" bolts that fasten the cab frame to the front of the power unit.
18. Remove the six 3/8" bolts that fasten the right and left rear cab posts to the rear cab frame mounts.
19. Place all hardware in a box to store with the weather cab.
20. Tilt the power unit's seat forward to allow the rear surround panels on the cab to clear the seat plate, and lift the weather cab up off the power unit.
NOTE: after lifting the weather cab, lower the seat back down to the operating position to provide more clearance when moving the cab away from the power unit.
21. Place the weather cab on a pallet for storage.
22. Remove the right and left cab frame mounts from the power unit and place in the storage box.
23. Install the original ROPS bar onto the power unit.
24. If desired, adjust the SDLA linkage rods to move the SDLA levers into a vertical position.
25. Reinstall the SDLA access cover onto the power unit.
26. Place the storage box with weather cab components and hardware on the pallet inside the weather cab.
27. Secure the cab to the pallet and store at a location where it is protected from damage.

Removing the Weather Cab from Storage

1. Clean the weather cab to remove any accumulated dust or debris.
2. Install the weather cab on the power unit following the setup instructions in this manual.
3. Inspect the weather cab as instructed in the daily inspection section of this manual.

Power Unit Tire Pressure

Power unit tire pressure should be maintained at 16-20 PSI (110-138 kPa) when cab is installed.

WARNING

To lift the cab, use a Ventrac lift sling (part # 47.0381) attached at the four corner lift points or remove the cab roof and attach a lifting device rated for 500 lbs (226 kg) minimum to the two lift points in the cab roof. Lift point decals are located at each lift point for easy identification.

Never walk or stand beneath cab when it is raised off the ground.

16. Remove the six 1/4" bolts that fasten the right and left cab side panels to the power unit.
17. Remove the six 3/8" bolts and two 1/4" bolts that fasten the cab frame to the front of the power unit.
18. Remove the six 3/8" bolts that fasten the right and left rear cab posts to the rear cab frame mounts.

SPECIFICATIONS

Dimensions

Overall Height	65 inches (165 cm)
Overall Length	56 inches (142 cm)
Overall Width	42 inches (107 cm)
Weight	420 pounds (190 kg)
Height (installed on power unit)	77 inches (196 cm)
Height with Strobe Beacon (installed on power unit)	83 inches (211 cm)
Length (installed on power unit)	78 inches (198 cm)

Features

- Glass on frame design
- Tempered glass
- Removable door and side windows
- Emergency exit
- Contoured headliner and roof assembly
- Heavy duty front wiper and wiper motor
- Front and rear LED work lights
- Dual port USB outlet
- Cup holder

PARTS

Wiring Diagram Reference Key

Wire Reference Key

Harness Section Identifier

= 32.0175 - Harness, Windshield Washer
V = 32.0168 - Harness, Wire Cab (Common Harness)
W = 32.0169 - Harness, Wire KW452 Supply
X = 32.0170 - Harness, Wire LW452 Supply
Y = 32.0174 - Harness, Wire Heater Kit
Z = 32.0176 - Harness, Wire Hazard

Wire Color & Circuit Type

Black = Ground
Red = Secondary Power
White = Primary Power
Yellow = Light/Hazard

----- = *Black Wire
———— = White Wire
||| ——— = Ground
● = Splice or Connection

* All black wires that are part of the wire harness are part of the ground circuit. However, some components such as lights may be wired where black may be positive.

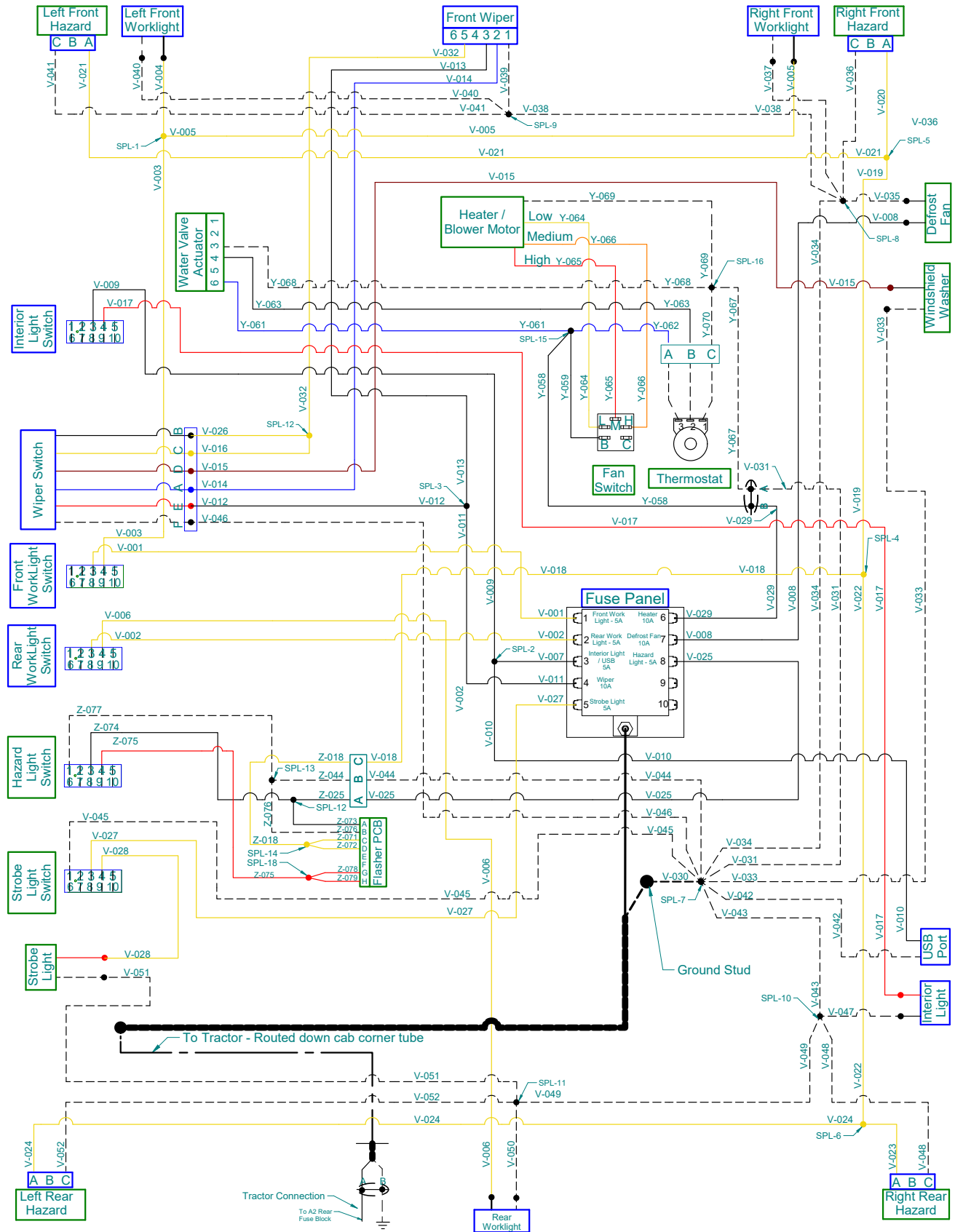
All other wires colors are as shown

Anything outlined with a blue box is a Standard Feature

Anything outlined with a Green box is a Option

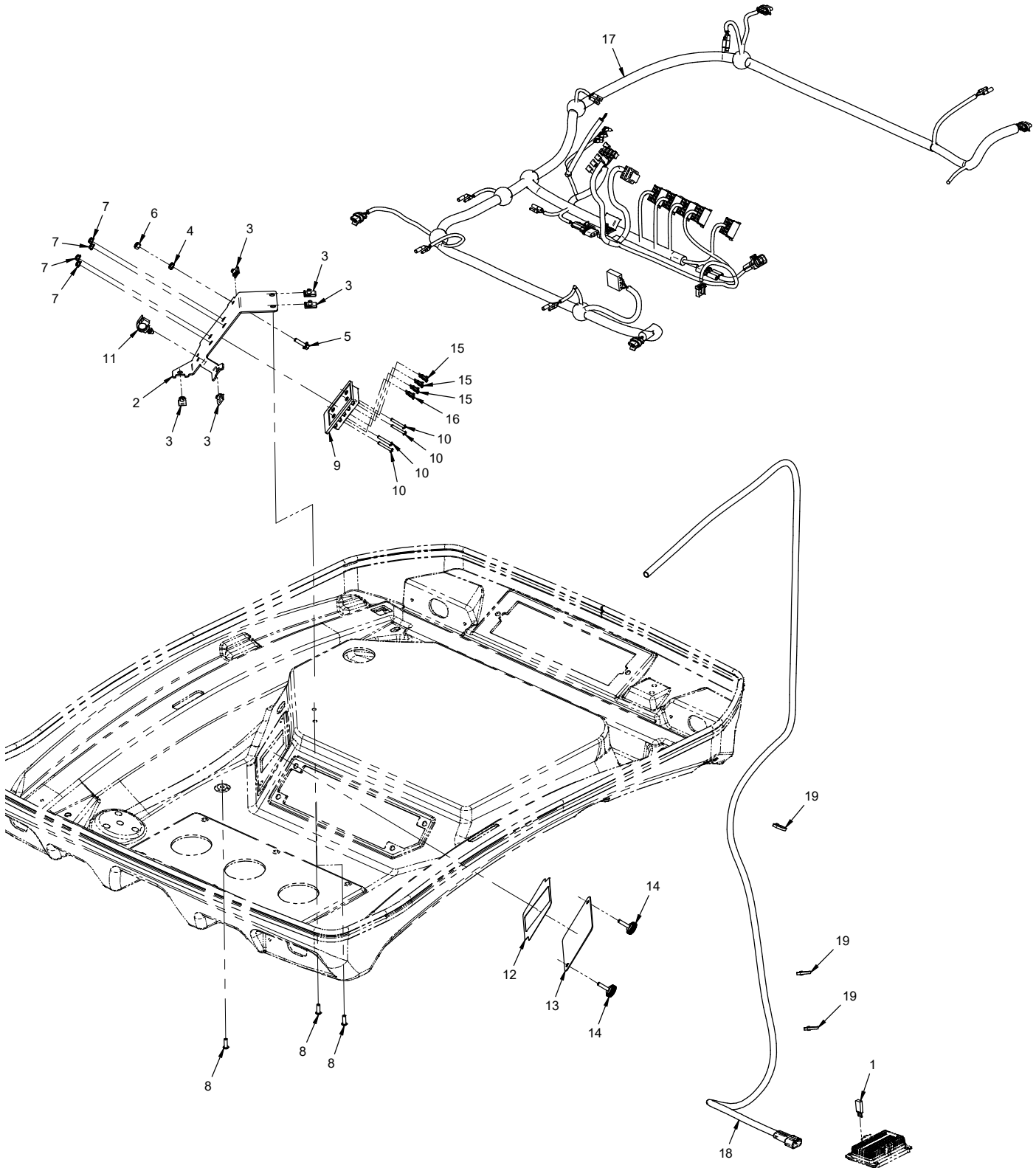
PARTS

Wiring Diagram



PARTS

ILLUSTRATED DRAWING Wire Harness & Fuse Panel



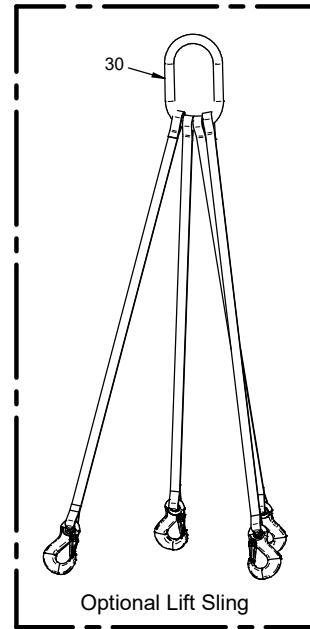
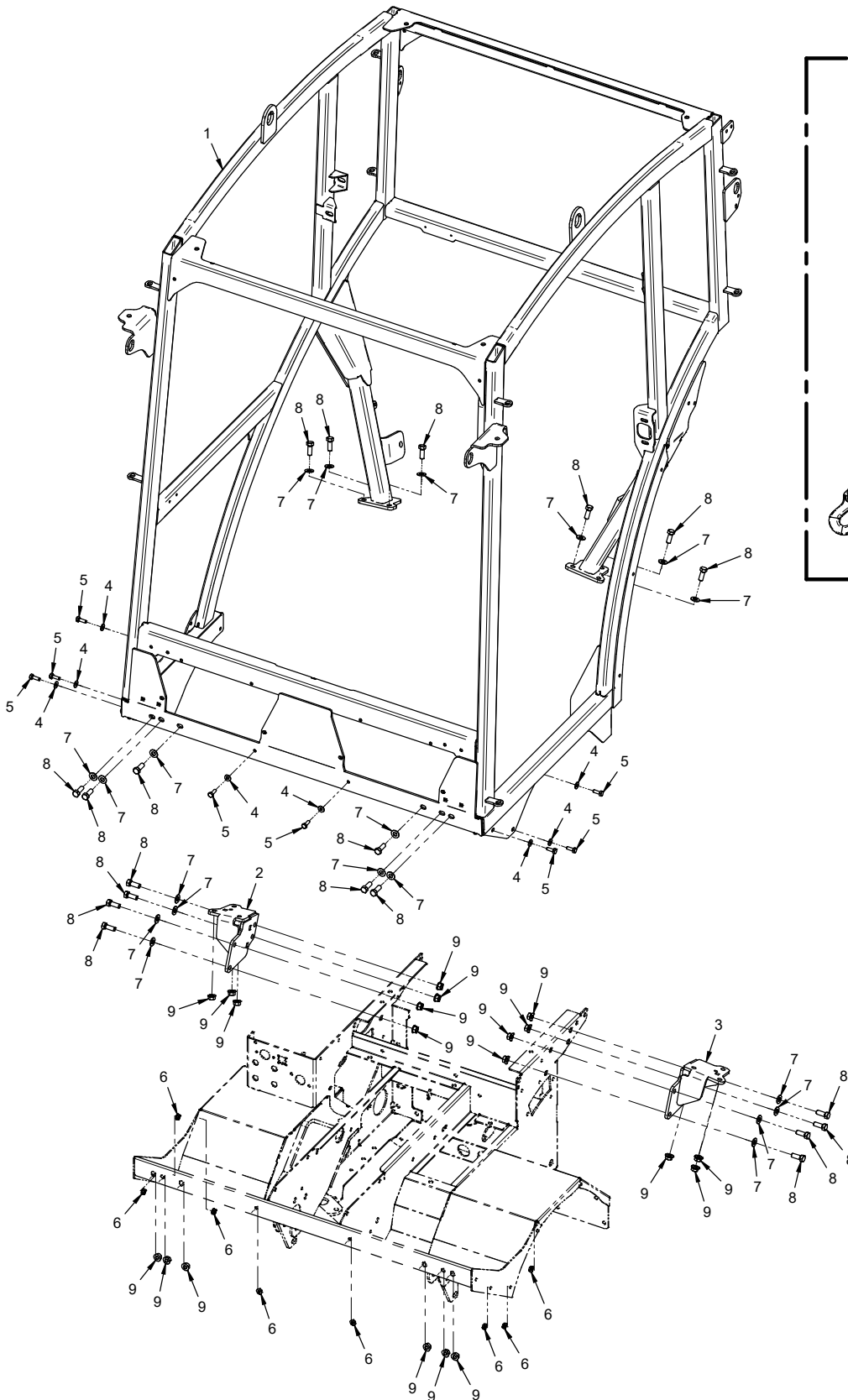
PARTS

Wire Harness & Fuse Panel

REF.	PART NO.	DESCRIPTION	QTY.
1	30.0445	.BREAKER, CIRCUIT 30 AMP MINI	1
2	64.1913	.BRACKET, FUSE PANEL	1
3	99.E0046	.NUT, "U" 1/4-20 EXTRUDED	5
4	99.SF04	.NUT, SRF 1/4-20 USS	1
5	99.SF0408	.BOLT, SRF 1/4 X 1 USS	1
6	99.A04N	.LOCKNUT, NYLON 1/4-20	1
7	99.E0035	.NUT, SRF #10-32	4
8	99.0406	.BOLT, 1/4-20 X 3/4 BSCS	3
9	30.0499	.FUSE PANEL, 10 POS ATC	1
10	99.K0144	.MACHINE SCREW, #10-32 X 1-1/4	4
11	30.0135	.CLAMP, LOOM 3/8 ROSEBUD MOUNT	1
12	00.0412	.DECAL, FUSE POSITION	1
13	60.1273	.COVER, FUSE PANEL	1
14	47.0399	.KNOB, 1/4-20 X 1 KNURLED	2
15	30.0187	.FUSE, 5 AMP ATC BLADE - TAN.	3
16	30.0317	.FUSE, 10 AMP ATC BLADE - RED	1
17	32.0168	.HARNESS, WIRE "2" SERIES CAB	1
18	32.0170	.HARNESS, WIRE LW452 SUPPLY	1
19	30.0037	.TYTON TIE, #50 .18 X 8 BLACK	3

PARTS

ILLUSTRATED DRAWING Cab Frame & Mount



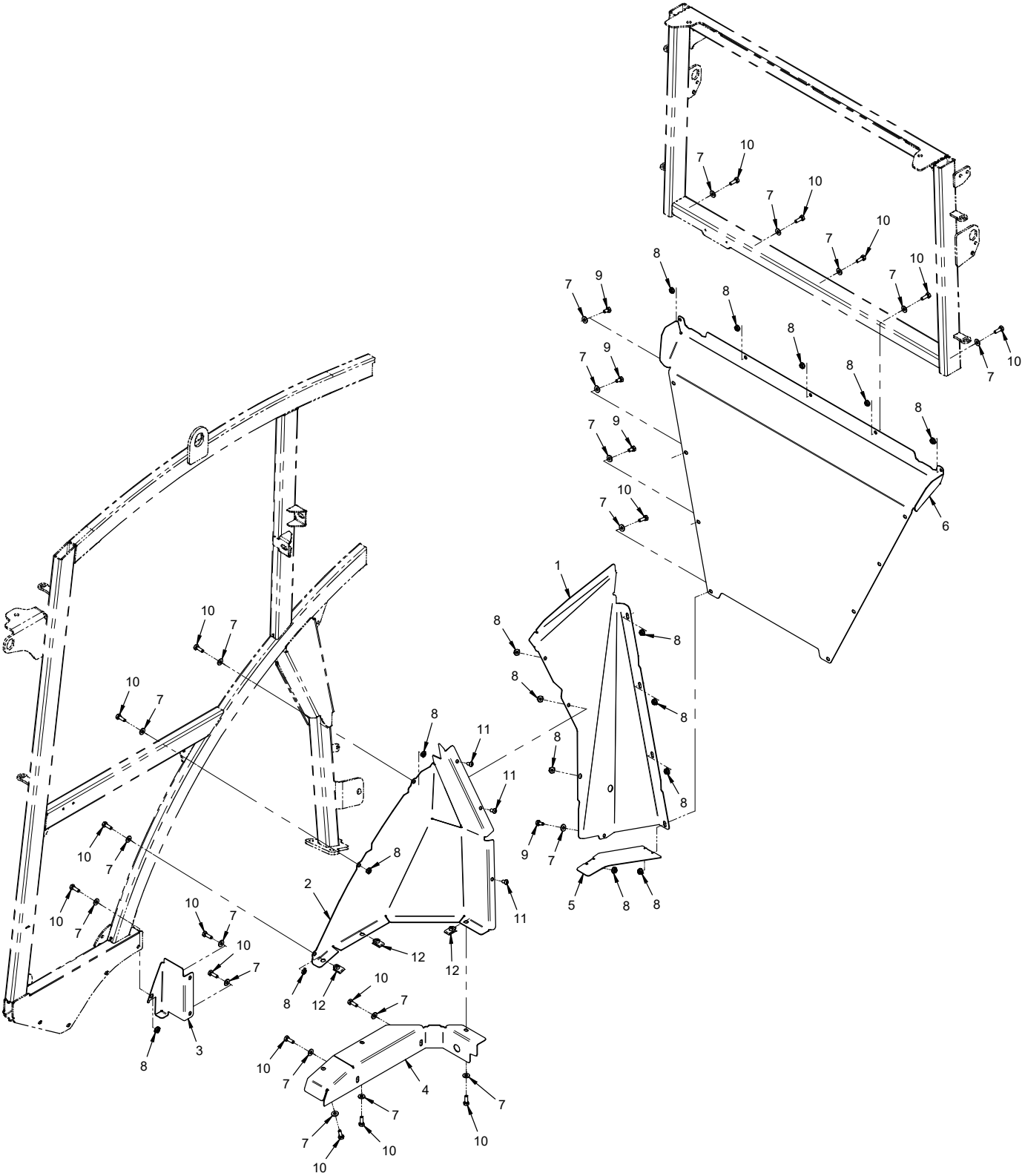
PARTS

Cab Frame & Mount

REF.	PART NO.	DESCRIPTION	QTY.
1	62.1455	.FRAME, MAIN LW452	1
2	64.1925	.MOUNT, CAB FRAME REAR RIGHT	1
3	64.1924	.MOUNT, CAB FRAME REAR LEFT	1
4	95.04	.WASHER, FLAT 1/4 SAE	8
5	90.0406	.BOLT, 1/4-20 USS X 3/4"	8
6	99.SF04	.NUT, SRF 1/4-20 USS	8
7	95.06	.WASHER, FLAT 3/8 SAE	20
8	90.0608	.BOLT, 3/8-16 USS X 1	20
9	99.SF06	.NUT, SRF 3/8-16 USS	20
30	47.0381	.SLING, LIFT (OPTIONAL)	1

PARTS

ILLUSTRATED DRAWING Right Rear Surround Panels



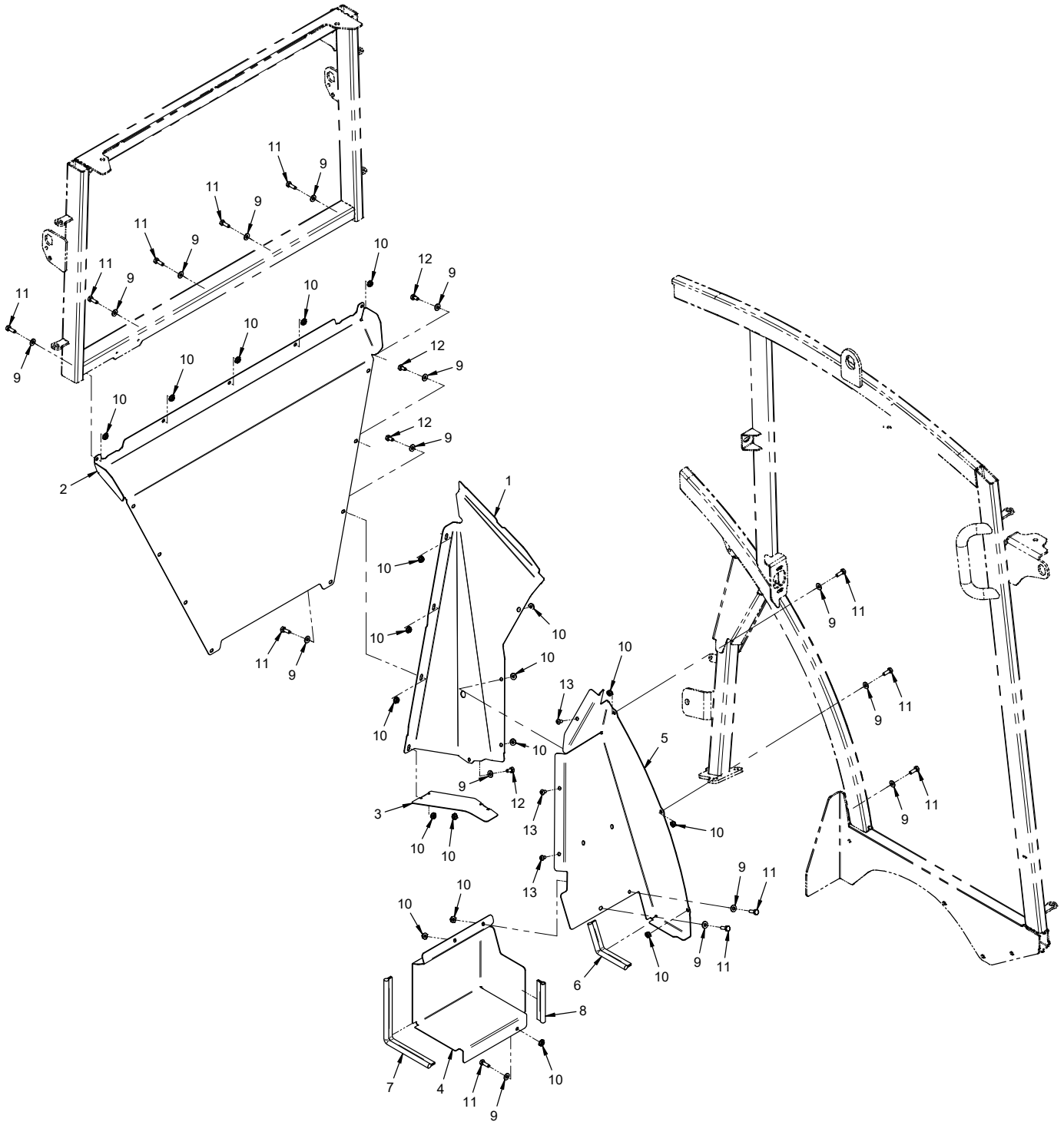
PARTS

Right Rear Surround Panels

REF.	PART NO.	DESCRIPTION	QTY.
1	60.1281	.PANEL, LOWER CAB RIGHT	1
2	60.1283	.PANEL, UPPER DASH - SDLA	1
3	60.1285	.PANEL, FRONT DASH COVER.	1
4	60.1284	.PANEL, LOWER DASH - SDLA	1
5	60.1288	.COVER, BOTTOM REAR RIGHT	1
6	60.1280	.PANEL, LOWER REAR CAB	1
7	95.04	.WASHER, FLAT 1/4 SAE	21
8	99.SF04	.NUT, SRF 1/4-20 USS.	17
9	90.0404	.BOLT, 1/4-20 USS X 1/2"	4
10	90.0406	.BOLT, 1/4-20 USS X 3/4"	17
11	99.0404	.BOLT, 1/4-20 X 1/2 BSCS	3
12	99.E0046	.NUT, "U" 1/4-20 EXTRUDED	3

PARTS

ILLUSTRATED DRAWING Left Rear Surround Panels



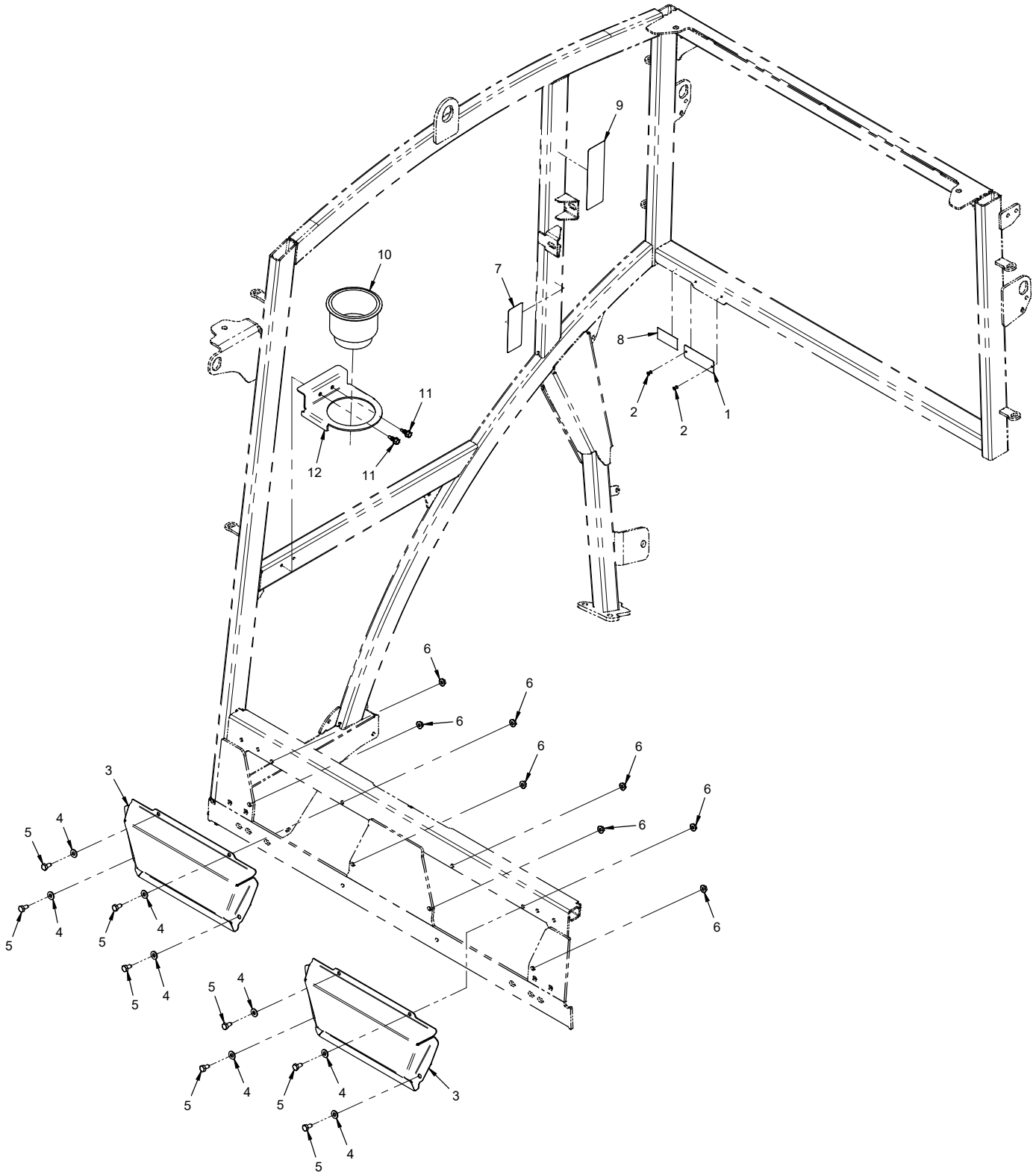
PARTS

Left Rear Surround Panels

REF.	PART NO.	DESCRIPTION	QTY.
1	60.1282	.PANEL, LOWER CAB LEFT	1
2	60.1280	.PANEL, LOWER REAR CAB	1
3	60.1289	.COVER, BOTTOM REAR LEFT	1
4	60.1287	.COVER, LEFT REAR FLOOR	1
5	60.1286	.PANEL, CAB LEFT	1
6	06.0043-7IN	.TRIM, 7/16" BULB SEAL TOP 1/16T X 7"	1
7	06.0043-12.5IN	.TRIM, 7/16" BULB SEAL TOP 1/16T X 12-1/2"	1
8	06.0043-4.5IN	.TRIM, 7/16" BULB SEAL TOP 1/16T X 4-1/2"	1
9	95.04	.WASHER, FLAT 1/4 SAE	16
10	99.SF04	.NUT, SRF 1/4-20 USS	19
11	90.0406	.BOLT, 1/4-20 USS X 3/4"	12
12	90.0404	.BOLT, 1/4-20 USS X 1/2"	4
13	99.0404	.BOLT, 1/4-20 X 1/2 BSCS	3

PARTS

ILLUSTRATED DRAWING Foot Covers, Decals, & Cup Holder



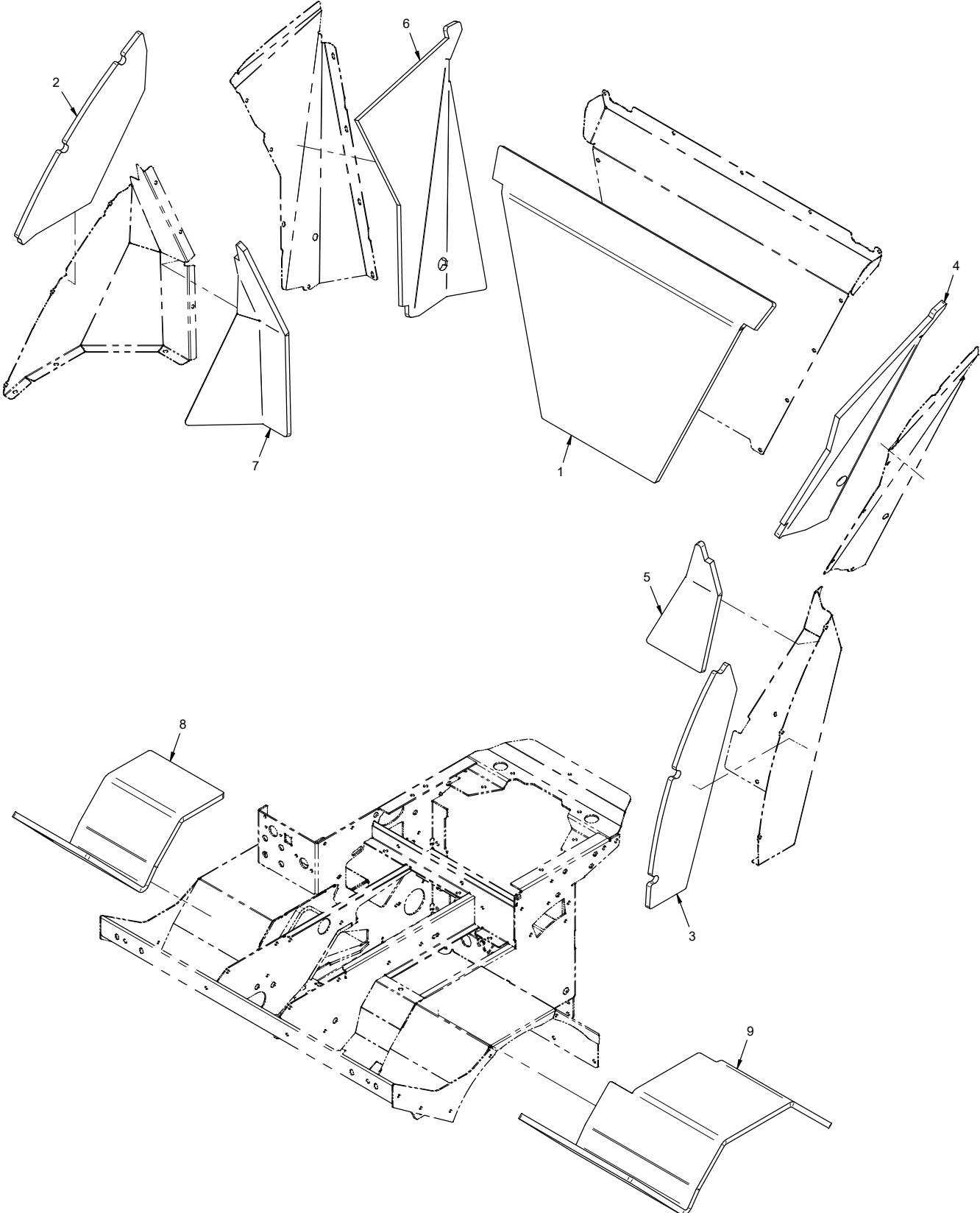
PARTS

Foot Covers, Decals, & Cup Holder

REF.	PART NO.	DESCRIPTION	QTY.
1	N/A	.PLATE, VENTRAC SERIAL NUMBER	1
2	04.0029	.RIVET, POP 1/8" X 1/4"	2
3	60.1290	.COVER, FOOT	2
4	95.04	.WASHER, FLAT 1/4 SAE	8
5	90.0404	.BOLT, 1/4-20 USS X 1/2"	8
6	99.SF04	.NUT, SRF 1/4-20 USS	8
7	00.0421	.DECAL, ROPS	1
8	00.0100	.DECAL, MADE IN USA	1
9	00.0420	.DECAL, WARNING	1
10	47.0185	.HOLDER, CUP 3.586 OD X 3-1/4 DP	1
11	99.K0141	.SCREW, SELF DRILLING 1/4 X 3/4	2
12	64.1899	.MOUNT, CUP HOLDER	1

PARTS

ILLUSTRATED DRAWING Rear Surround Panel Upholstery & Floor Mats



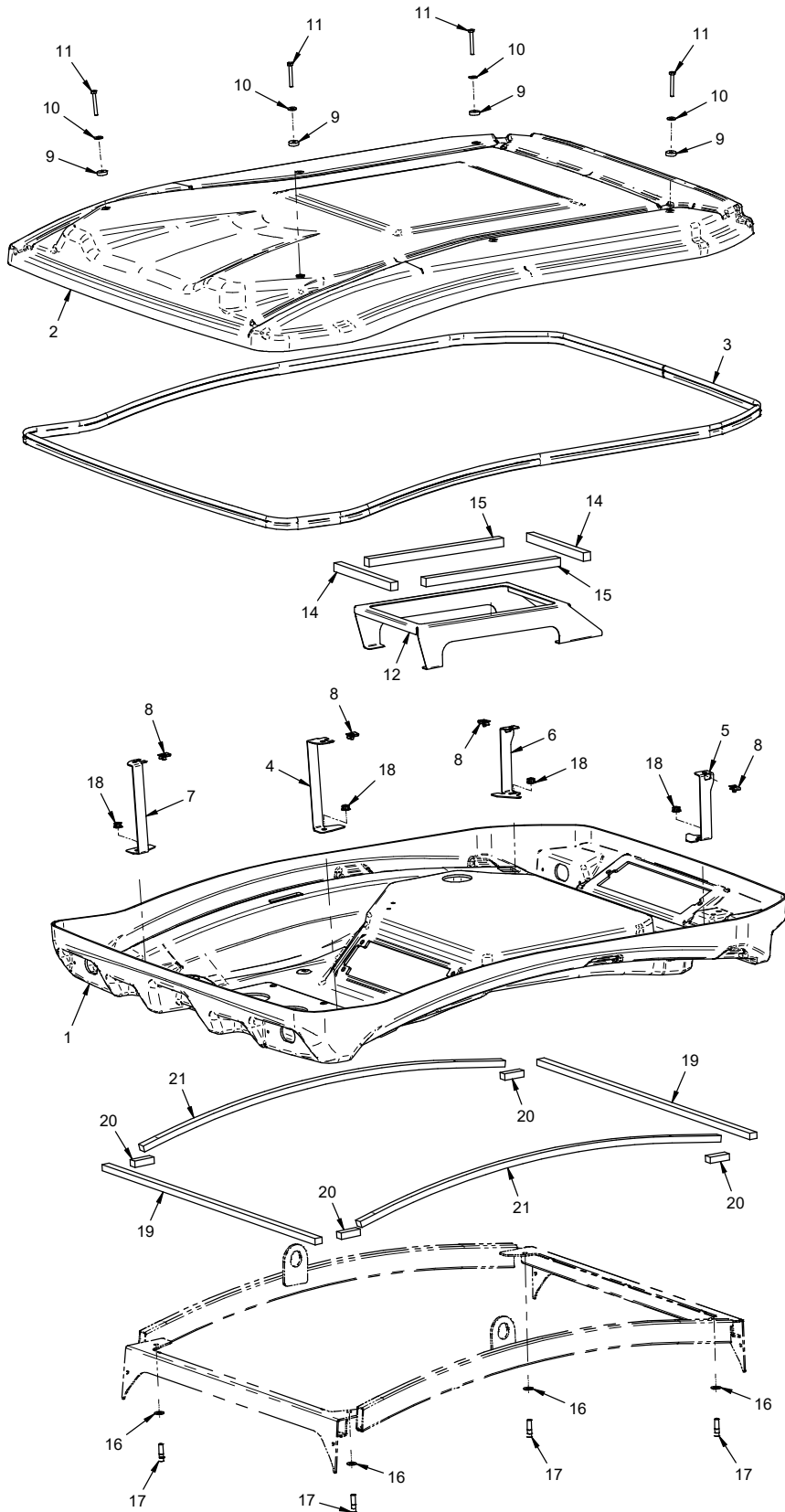
PARTS

Rear Surround Panel Upholstery & Floor Mats

REF.	PART NO.	DESCRIPTION	QTY.
1	44.0375	UPHOLSTERY, REAR PANEL	1
2	44.0376	UPHOLSTERY, FRONT RIGHT	1
3	44.0377	UPHOLSTERY, FRONT LEFT	1
4	44.0379	UPHOLSTERY, LEFT REAR	1
5	44.0380	UPHOLSTERY, LEFT FRONT UPPER	1
6	44.0378	UPHOLSTERY, RIGHT REAR	1
7	44.0381	UPHOLSTERY, REAR SDLA	1
8	47.0395	FLOOR MAT, RIGHT	1
9	47.0396	FLOOR MAT, LEFT	1

PARTS

ILLUSTRATED DRAWING Cab Roof Mount



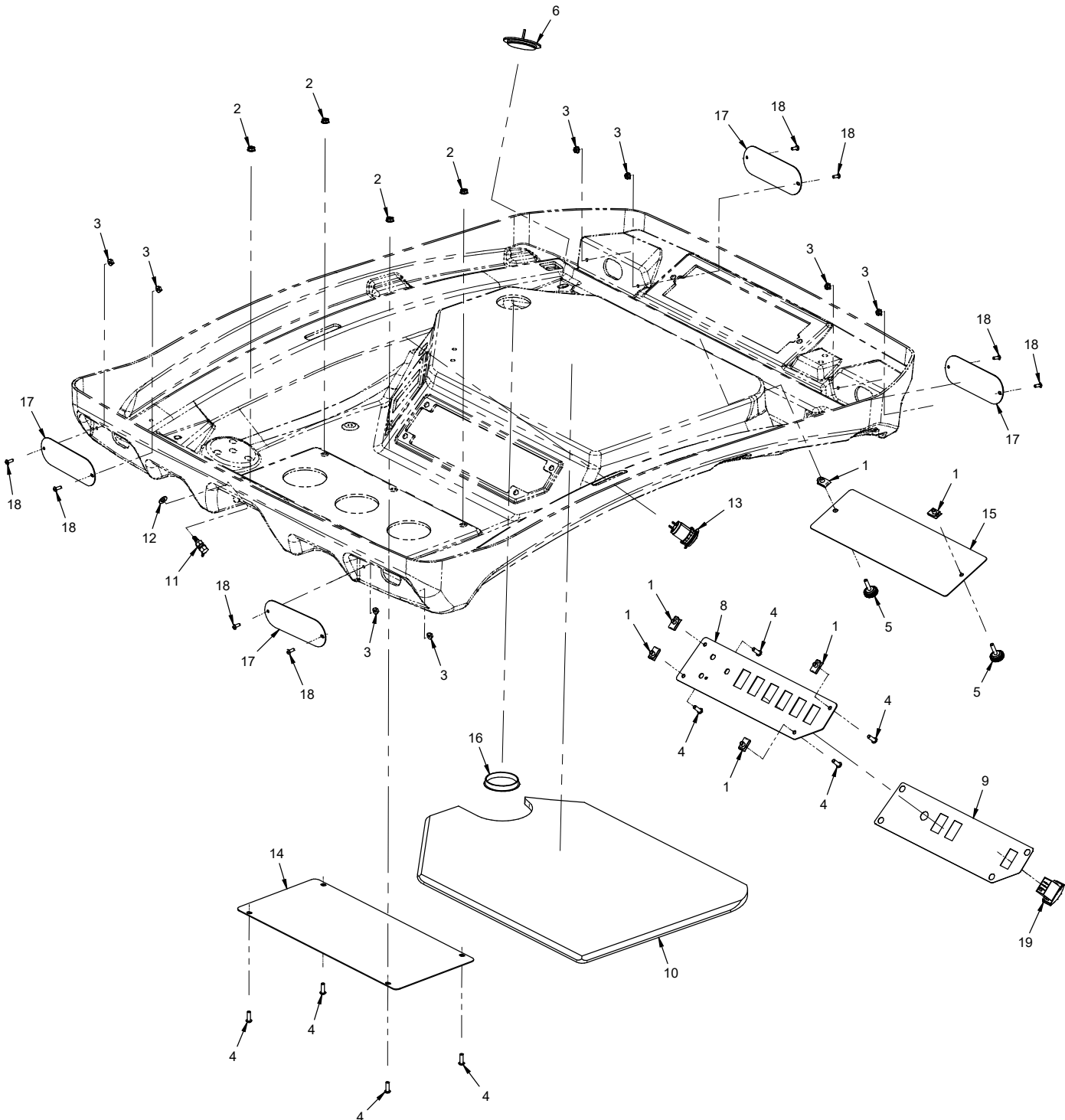
PARTS

Cab Roof Mount

REF.	PART NO.	DESCRIPTION	QTY.
1	44.0362	.HEADLINER, CAB	1
2	44.0363	.ROOF, CAB	1
3	06.0080-186IN	.TRIM, 7/16" BULB SEAL TOP 3/16T X 186"	1
4	64.1918	.BRACKET, ROOF MNT FRONT LEFT	1
5	64.1919	.BRACKET, ROOF MNT REAR LEFT	1
6	64.1939	.BRACKET, ROOF MNT REAR RIGHT	1
7	64.1935	.BRACKET, ROOF MNT FRONT RIGHT	1
8	99.E0046	.NUT, "U" 1/4-20 EXTRUDED	4
9	05.0168	.WASHER, 1/4 ID X 7/8 OD X 1/4T	4
10	94.04	.WASHER, FLAT 1/4 USS	4
11	90.0420-2	.BOLT, 1/4-20 X 2" TAP ZP	4
12	64.1945	.BRACKET, ROOF SUPPORT	1
14	06.0081-9IN	.WEATHERSTRIP, 3/4 X 3/4 FOAM X 9"	2
15	06.0081-14IN	.WEATHERSTRIP, 3/4 X 3/4 FOAM X 14"	2
16	95.06	.WASHER, FLAT 3/8 SAE	4
17	90.0610	.BOLT, 3/8-16 USS X 1-1/4	4
18	99.E0082	.NUT, LOCKING FLANGE 3/8-16	4
19	06.0081-34.25IN	.WEATHERSTRIP, 3/4 X 3/4 FOAM X 34-1/4"	2
20	06.0081-2IN	.WEATHERSTRIP, 3/4 X 3/4 FOAM X 2"	4
21	06.0081-38IN	.WEATHERSTRIP, 3/4 X 3/4 FOAM X 38"	2

PARTS

ILLUSTRATED DRAWING Main Switch Panel, Cover Plates, & Components



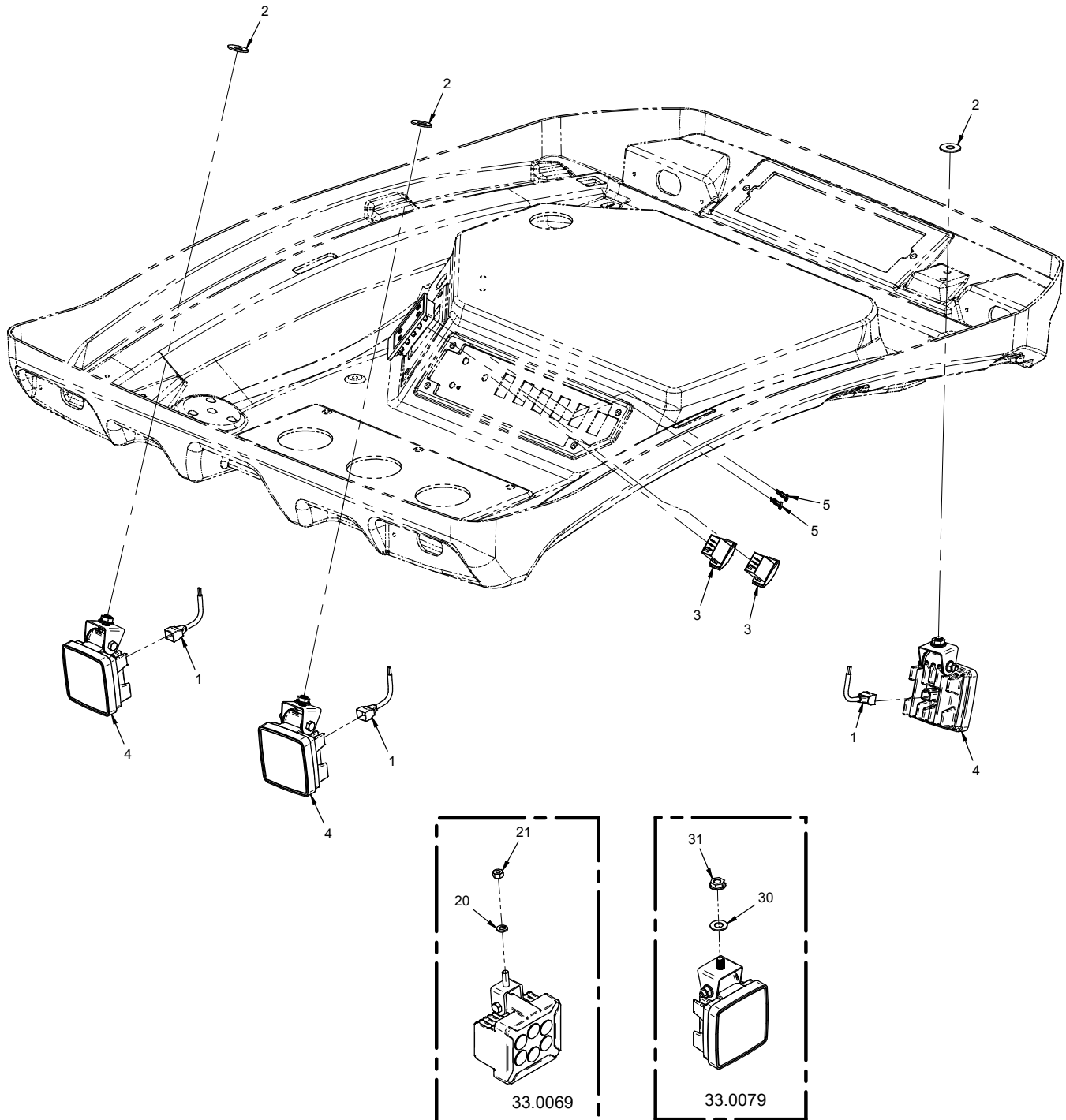
PARTS

Main Switch Panel, Cover Plates, & Components

REF.	PART NO.	DESCRIPTION	QTY.
1	99.E0046	.NUT, "U" 1/4-20 EXTRUDED	6
2	99.SF04	.NUT, SRF 1/4-20 USS	4
3	99.E0035	.NUT, SRF #10-32	8
4	99.0406	.BOLT, 1/4-20 X 3/4 BSCS (Serial # 01001-01195)	8
4	99.0406	.BOLT, 1/4-20 X 3/4 BSCS (Serial # 01196-)	4
5	47.0399	.KNOB, 1/4-20 X 1 KNURLED	2
6	33.0072	.LIGHT, INTERIOR DOME	1
8	64.1914	.PLATE, MAIN SWITCH PANEL	1
9	00.0413	.DECAL, MAIN SWITCH PANEL	1
10	44.0364	.UPHOLSTERY, HEADLINER	1
11	47.0402	.FITTING, BULKHEAD 90 DEG	1
12	95.05	.WASHER, FLAT 5/16 SAE	1
13	30.0480	.RECEPTACLE, USB DUAL	1
14	64.1920	.PLATE, FRONT VENT COVER (Serial # 01001-01195)	1
15	47.0385	.RETAINER, NO FILTER (SOLID) (Serial # 01001-01195)	1
16	05.0076	.PLUG, 2-1/2" HOLE, BLK PLASTIC (Serial # 01001-01195)	1
17	64.1922	.PLATE, LIGHT COVER	4
18	99.K0062	.MACHINE SCREW, #10-32 X 1/2	8
19	31.0053	.SWITCH, ROCKER ON/OFF	4

PARTS

ILLUSTRATED DRAWING Front & Rear Work Lights



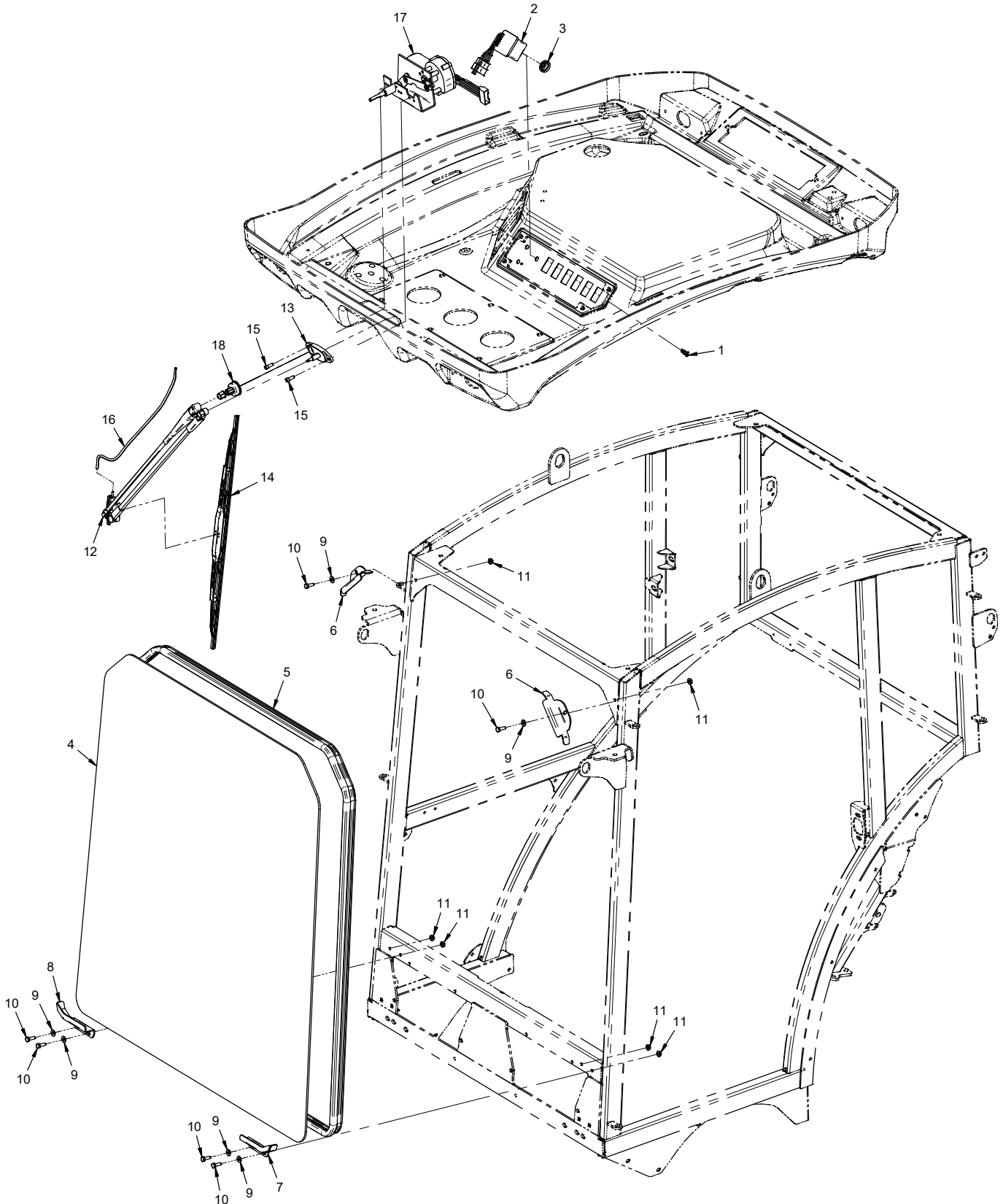
PARTS

Front & Rear Work Lights

REF.	PART NO.	DESCRIPTION	QTY.
1	32.0161	.HARNESS, WIRE 33.0069 BULLET (Serial # 01001-01205)	3
1	32.0177	.HARNESS, WIRE GROTE WORK LIGHT (Serial # 01206-)	3
2	99.B0118	.WASHER, FENDER 5/16 X 1-1/4 (Serial # 01001-01205)	3
2	94.07	.WASHER, FLAT 7/16 USS (Serial # 01206-)	3
3	31.0053	.SWITCH, ROCKER ON/OFF	2
4	33.0069	.LIGHT, WORK 3 X 3 LED (Serial # 01001-01205)	3
4	33.0079	.LIGHT, LED WIDE FLOOD (Serial # 01206-)	3
5	30.0187	.FUSE, 5 AMP ATC BLADE - TAN.	2
20	96.05	.WASHER, LOCK 5/16	1
21	99.M0025	.NUT, M8 X 1.25MM	1
30	95.07	.WASHER, FLAT 7/16 SAE	1
31	99.M0021	.NUT, SMF M10 X 1.5MM	1

PARTS

ILLUSTRATED DRAWING Front Windshield & Windshield Wiper



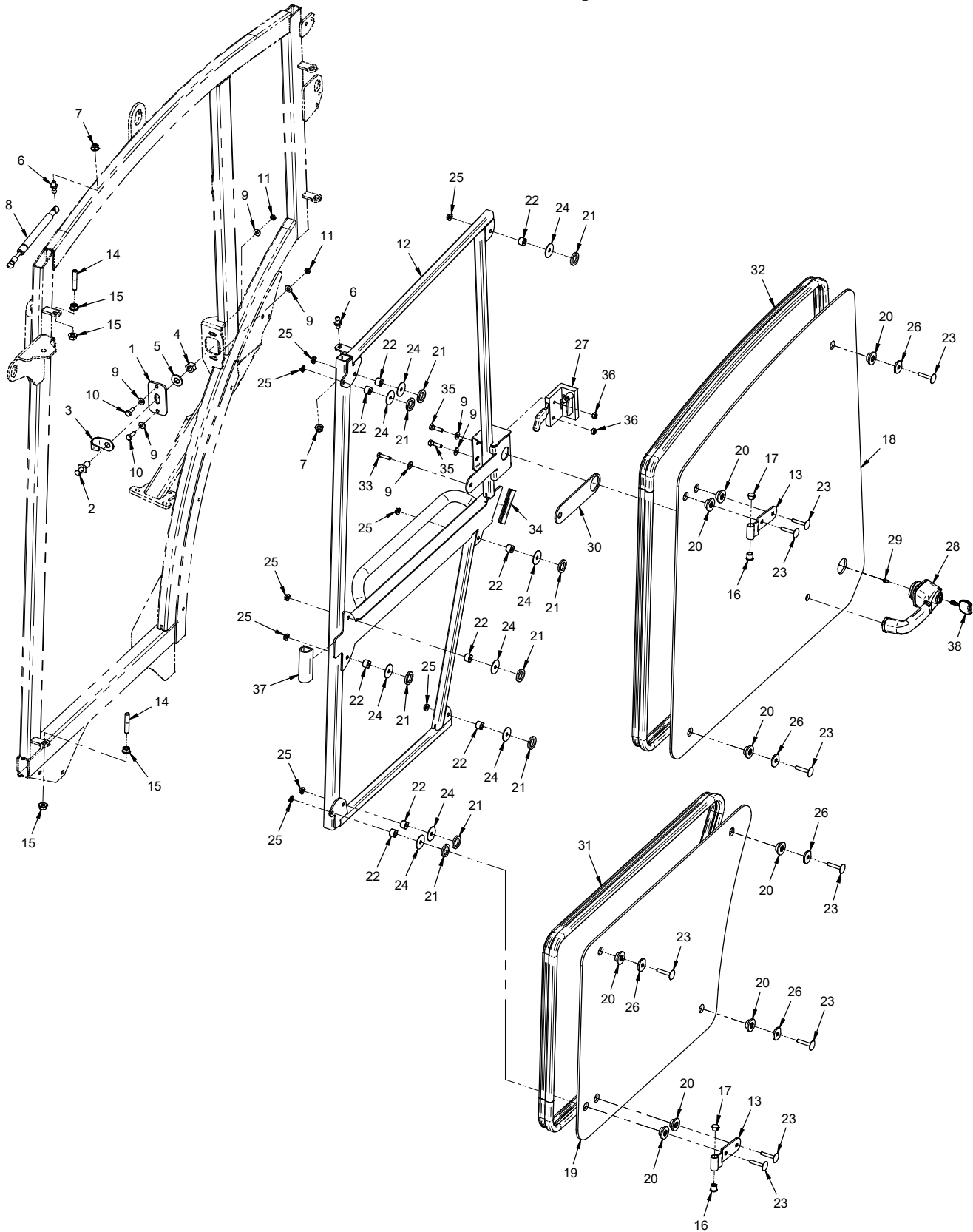
PARTS

Front Windshield & Windshield Wiper

REF.	PART NO.	DESCRIPTION	QTY.
1	30.0317	.FUSE, 10 AMP ATC BLADE - RED	1
2	31.0069	.SWITCH, WIPER ROTARY W/WASHER	1
3	31.0069-1	.KNOB, WIPER SWITCH.	1
4	44.0367	.WINDOW, FRONT	1
5	06.0072-150IN	.TRIM, SEAL DOUBLE BULB 3/16" X 150"	1
6	64.1928	.MOUNT, WINDSHIELD UPPER	2
7	64.1926	.MOUNT, WINDSHIELD LOWER LEFT	1
8	64.1927	.MOUNT, WINDSHIELD LOWER RIGHT	1
9	95.04	.WASHER, FLAT 1/4 SAE	6
10	90.0406	.BOLT, 1/4-20 USS X 3/4"	6
11	99.SF04	.NUT, SRF 1/4-20 USS.	6
12	47.0397	.ARM, WIPER 22" PANTO WET	1
13	47.0401	.ADAPTER, DRY PANTOGRAPH.	1
14	47.0398	.BLADE, WIPER.	1
15	99.K0146	.BOLT, SHCS 1/4-28 X 5/8 SS.	2
16	27.0004	.TUBING, WASHER FOR WIPER ARM	1
17	37.0063	.MOTOR, WINDSHIELD WIPER 2SPD	1
18	47.0301	.KIT, WIPER MOTOR HARDWARE	1

PARTS

ILLUSTRATED DRAWING Door Assembly



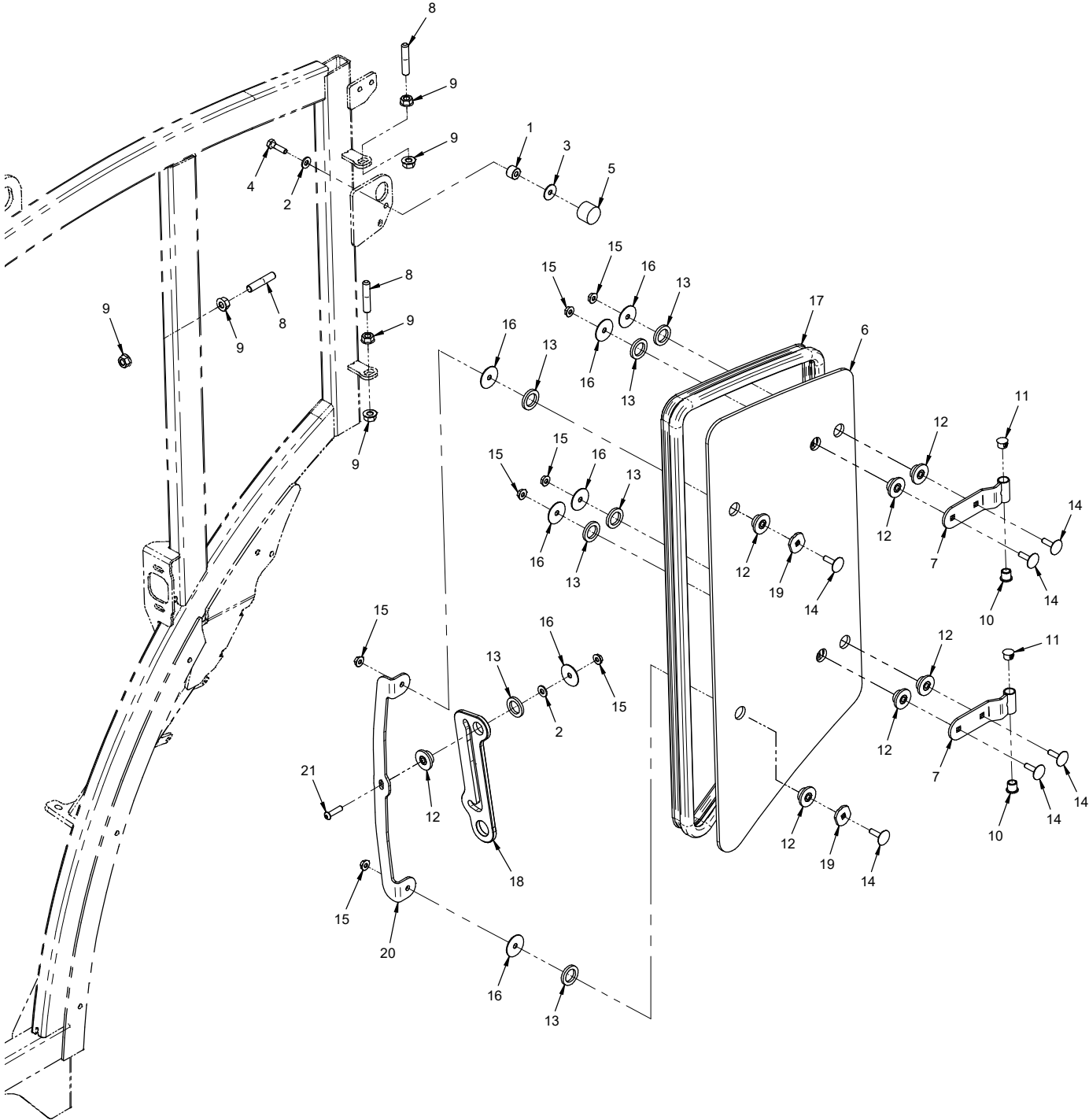
PARTS

Door Assembly

REF.	PART NO.	DESCRIPTION	QTY.
1	64.1929	.PLATE, LATCH PIN	1
2	47.0283	.STRIKER, DOOR LATCH	1
3	47.0284	.GUARD, STRIKER	1
4	99.M0023	.NUT, M12 X 1.0MM	1
5	95.08	.WASHER, FLAT 1/2 SAE	1
6	47.0225	.STUD, BALL 10MM 5/16-18 THREAD	2
7	99.E0102	.NUT, LOCKING FLANGE 5/16-18	2
8	47.0400	.SHOCK, GAS SPRING	1
9	95.04	.WASHER, FLAT 1/4 SAE	7
10	90.0406	.BOLT, 1/4-20 USS X 3/4"	2
11	99.A04	.LOCKNUT, STOVER 1/4-20 USS	2
12	62.1460	.FRAME, DOOR	1
13	64.1941	.HINGE, GLASS MOUNT LW452	2
14	99.F0043	.PIN, HINGE 3/8-16 X 1-7/8 SS	2
15	99.SF06	.NUT, SRF 3/8-16 USS	4
16	85.B0068	.BUSHING, 3/8 X 1/2 OD X 1/2 LG	2
17	05.0070	.PLUG, 1/2" HOLE, NYLON	2
18	44.0370	.WINDOW, DOOR UPPER	1
19	44.0371	.WINDOW, DOOR LOWER	1
20	05.0165	.GROMMET, FLANGE .28X0.74X0.43T	9
21	05.0164	.WASHER, RUBBER EPDM	9
22	64.1940	.BUSHING, 0.27 X 0.62 X 0.44L	9
23	99.K0119	.BOLT, STEP 1/4-20 X 1-1/2 BLK	9
24	99.B0116	.WASHER, FENDER 1/4 X 1-1/4	9
25	99.SF04	.NUT, SRF 1/4-20 USS	9
26	99.B0117	.WASHER, 1/4 SQ - CARRIAGE BOLT	5
27	47.0393	.LATCH, DOOR - LEFT	1
28	47.0281	.HANDLE, PUSH BUTTON ASM	1
29	99.K0042	.MACHINE SCREW, 10-32 X 3/8	1
30	44.0273	.GASKET, DOOR HANDLE INNER	1
31	06.0072-88IN	.TRIM, SEAL DOUBLE BULB 3/16" X 88"	1
32	06.0072-120IN	.TRIM, SEAL DOUBLE BULB 3/16" X 120"	1
33	99.M0022	.BOLT, M6 X 1.0 X 25MM	1
34	06.0085-3IN	.TRIM, SEAL W/ WIPER 9/16" H X 3" L	1
35	90.0408	.BOLT, 1/4-20 USS X 1"	2
36	92.04	.NUT, 1/4-20 USS	2
37	06.0064-3IN	.WEATHERSTRIP, 1 X 1 D SHAPE X 3"	1
38	47.0357	.KEY, DOOR HANDLE KW (2 KEYS)	1

PARTS

ILLUSTRATED DRAWING Left Rear Window



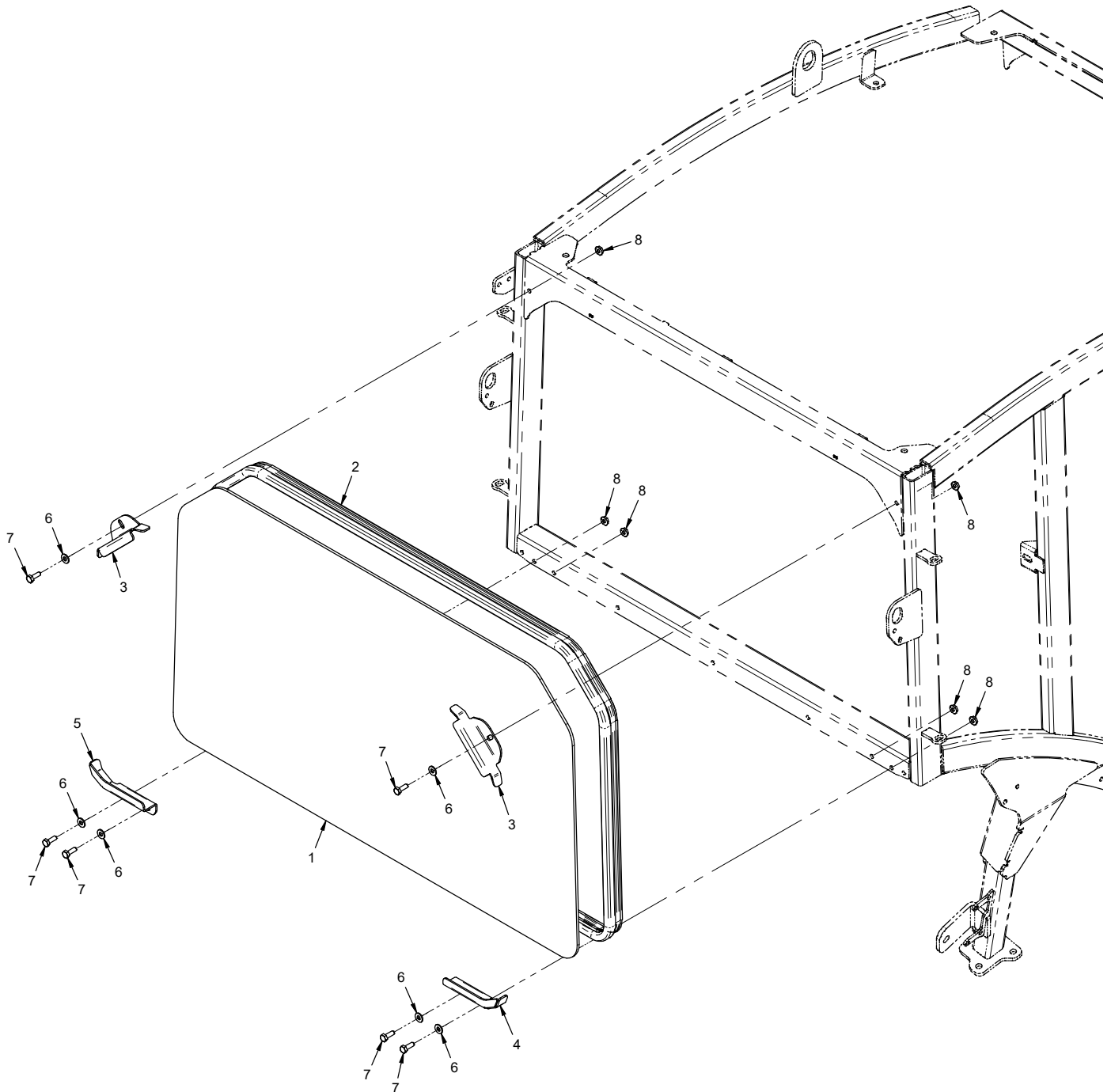
PARTS

Left Rear Window

REF.	PART NO.	DESCRIPTION	QTY.
1	64.1940	.BUSHING, 0.27 X 0.62 X 0.44L	1
2	95.04	.WASHER, FLAT 1/4 SAE	2
3	99.B0100	.WASHER, FENDER 1/4 X 7/8 OD ZP	1
4	90.0408	.BOLT, 1/4-20 USS X 1"	1
5	05.0125	.BUMPER, NEOPRENE 1" DIA.	1
6	44.0374	.WINDOW, LEFT SIDE REAR.	1
7	64.1941	.HINGE, GLASS MOUNT LW452	2
8	99.F0043	.PIN, HINGE 3/8-16 X 1-7/8 SS	3
9	99.SF06	.NUT, SRF 3/8-16 USS.	6
10	85.B0068	.BUSHING, 3/8 X 1/2 OD X 1/2 LG	2
11	05.0070	.PLUG, 1/2" HOLE, NYLON.	2
12	05.0165	.GROMMET, FLANGE .28X0.74X0.43T	7
13	05.0164	.WASHER, RUBBER EPDM	7
14	99.K0143	.BOLT, STEP 1/4-20 X 1 BLK.	6
15	99.SF04	.NUT, SRF 1/4-20 USS.	7
16	99.B0116	.WASHER, FENDER 1/4 X 1-1/4.	7
17	06.0072-72IN	.TRIM, SEAL DOUBLE BULB 3/16" X 72"	1
18	40.0403	.ARM, SIDE WINDOW LATCH	1
19	99.B0117	.WASHER, 1/4 SQ - CARRIAGE BOLT	2
20	64.1950	.BRACKET, SIDE WINDOW LATCH.	1
21	99.0408	.BOLT, 1/4-20 X 1 BSCS	1

PARTS

ILLUSTRATED DRAWING Rear Window



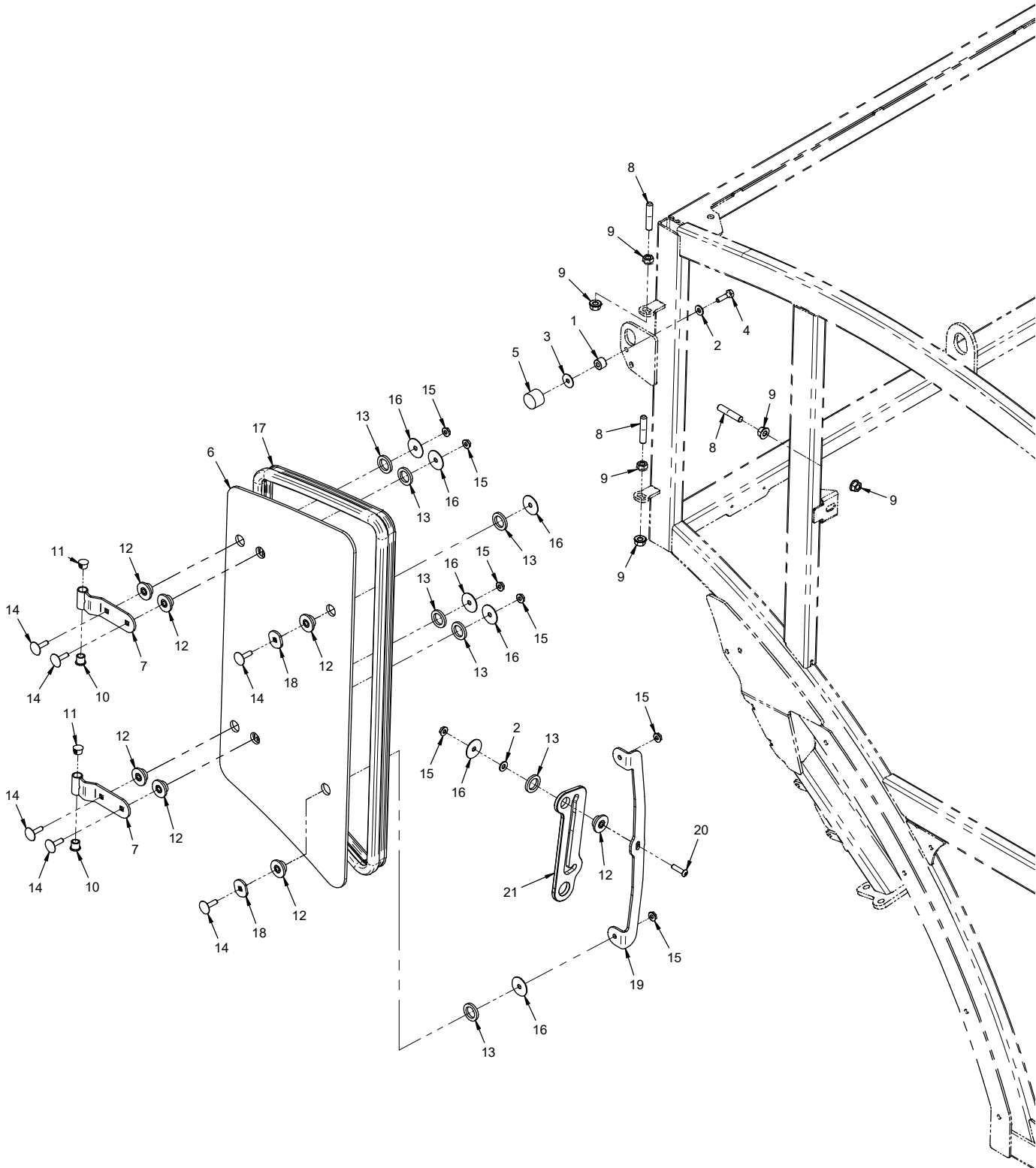
PARTS

Rear Window

REF.	PART NO.	DESCRIPTION	QTY.
1	44.0368	.WINDOW, REAR	1
2	06.0072-110IN	.TRIM, SEAL DOUBLE BULB 3/16" X 110"	1
3	64.1928	.MOUNT, WINDSHIELD UPPER	2
4	64.1926	.MOUNT, WINDSHIELD LOWER LEFT	1
5	64.1927	.MOUNT, WINDSHIELD LOWER RIGHT	1
6	95.04	.WASHER, FLAT 1/4 SAE	6
7	90.0406	.BOLT, 1/4-20 USS X 3/4"	6
8	99.SF04	.NUT, SRF 1/4-20 USS	6

PARTS

ILLUSTRATED DRAWING Right Rear Window



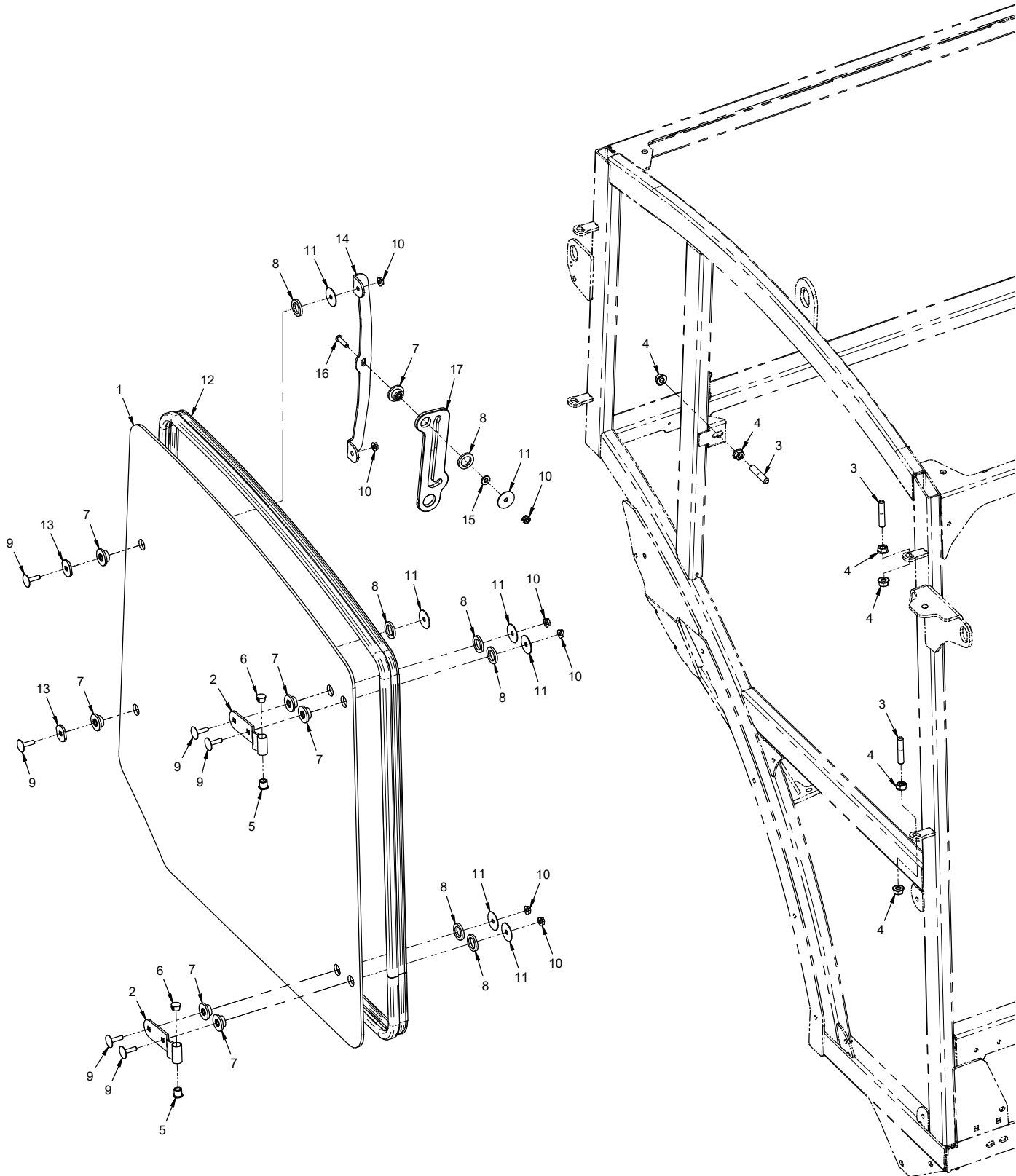
PARTS

Right Rear Window

REF.	PART NO.	DESCRIPTION	QTY.
1	64.1940	.BUSHING, 0.27 X 0.62 X 0.44L	1
2	95.04	.WASHER, FLAT 1/4 SAE	2
3	99.B0100	.WASHER, FENDER 1/4 X 7/8 OD ZP	1
4	90.0408	.BOLT, 1/4-20 USS X 1"	1
5	05.0125	.BUMPER, NEOPRENE 1" DIA.	1
6	44.0369	.WINDOW, RIGHT SIDE REAR	1
7	64.1941	.HINGE, GLASS MOUNT LW452	2
8	99.F0043	.PIN, HINGE 3/8-16 X 1-7/8 SS	3
9	99.SF06	.NUT, SRF 3/8-16 USS	6
10	85.B0068	.BUSHING, 3/8 X 1/2 OD X 1/2 LG	2
11	05.0070	.PLUG, 1/2" HOLE, NYLON	2
12	05.0165	.GROMMET, FLANGE .28X0.74X0.43T	7
13	05.0164	.WASHER, RUBBER EPDM	7
14	99.K0143	.BOLT, STEP 1/4-20 X 1 BLK	6
15	99.SF04	.NUT, SRF 1/4-20 USS	7
16	99.B0116	.WASHER, FENDER 1/4 X 1-1/4	7
17	06.0072-70IN	.TRIM, SEAL DOUBLE BULB 3/16" X 70"	1
18	99.B0117	.WASHER, 1/4 SQ - CARRIAGE BOLT	2
19	64.1950	.BRACKET, SIDE WINDOW LATCH	1
20	99.0408	.BOLT, 1/4-20 X 1 BSCS	1
21	40.0403	.ARM, SIDE WINDOW LATCH	1

PARTS

ILLUSTRATED DRAWING Right Side (Emergency Exit) Window



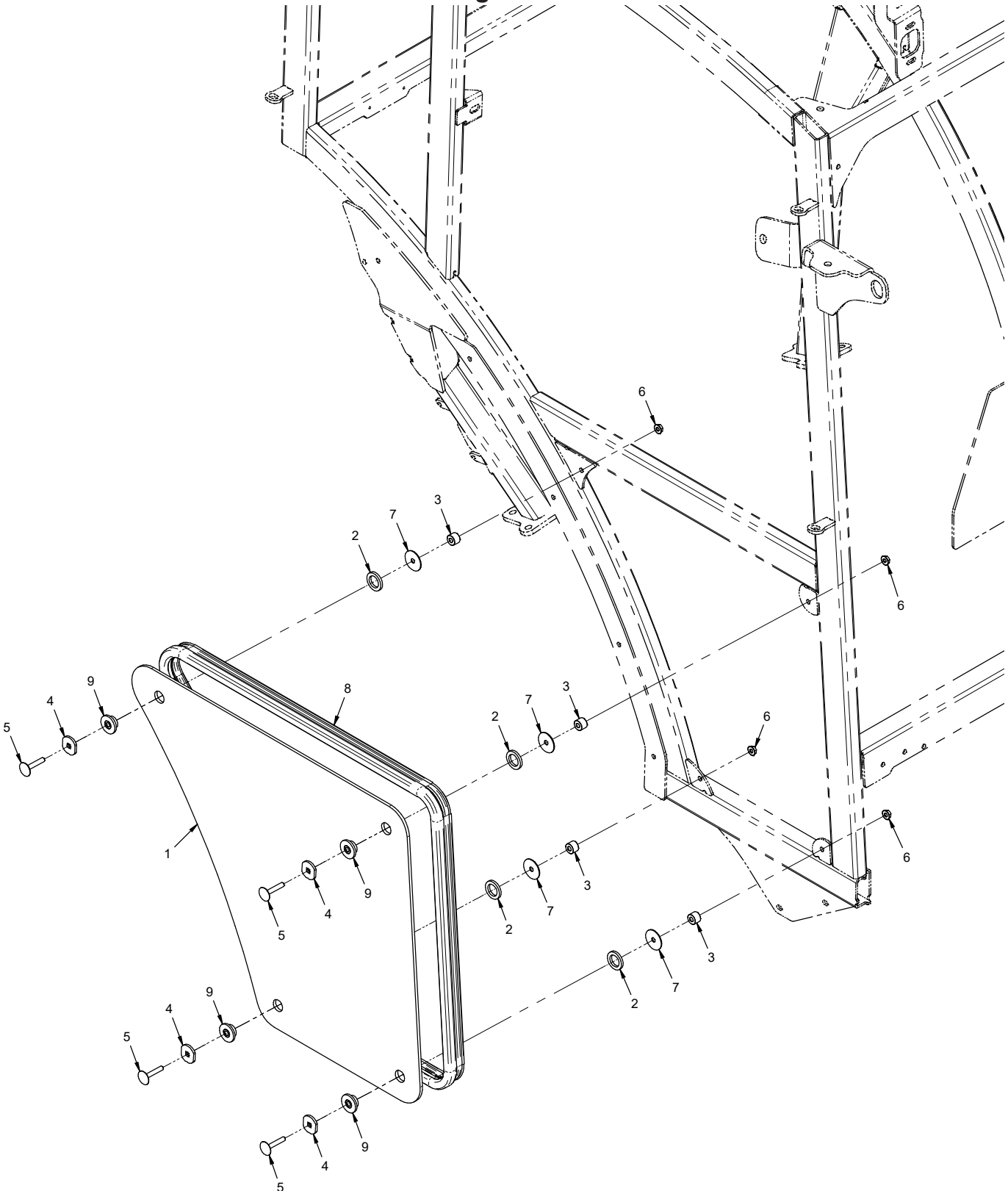
PARTS

Right Side (Emergency Exit) Window

REF.	PART NO.	DESCRIPTION	QTY.
1	44.0372	WINDOW, RIGHT ESCAPE	1
2	64.1941	HINGE, GLASS MOUNT LW452	2
3	99.F0043	PIN, HINGE 3/8-16 X 1-7/8 SS	3
4	99.SF06	NUT, SRF 3/8-16 USS	6
5	85.B0068	BUSHING, 3/8 X 1/2 OD X 1/2 LG	2
6	05.0070	PLUG, 1/2" HOLE, NYLON	2
7	05.0165	GROMMET, FLANGE .28X0.74X0.43T	7
8	05.0164	WASHER, RUBBER EPDM	7
9	99.K0143	BOLT, STEP 1/4-20 X 1 BLK	6
10	99.SF04	NUT, SRF 1/4-20 USS	7
11	99.B0116	WASHER, FENDER 1/4 X 1-1/4	7
12	06.0072-120IN	TRIM, SEAL DOUBLE BULB 3/16" X 120"	1
13	99.B0117	WASHER, 1/4 SQ - CARRIAGE BOLT	2
14	64.1950	BRACKET, SIDE WINDOW LATCH	1
15	95.04	WASHER, FLAT 1/4 SAE	1
16	99.0408	BOLT, 1/4-20 X 1 BSCS	1
17	40.0403	ARM, SIDE WINDOW LATCH	1

PARTS

ILLUSTRATED DRAWING Lower Right Window



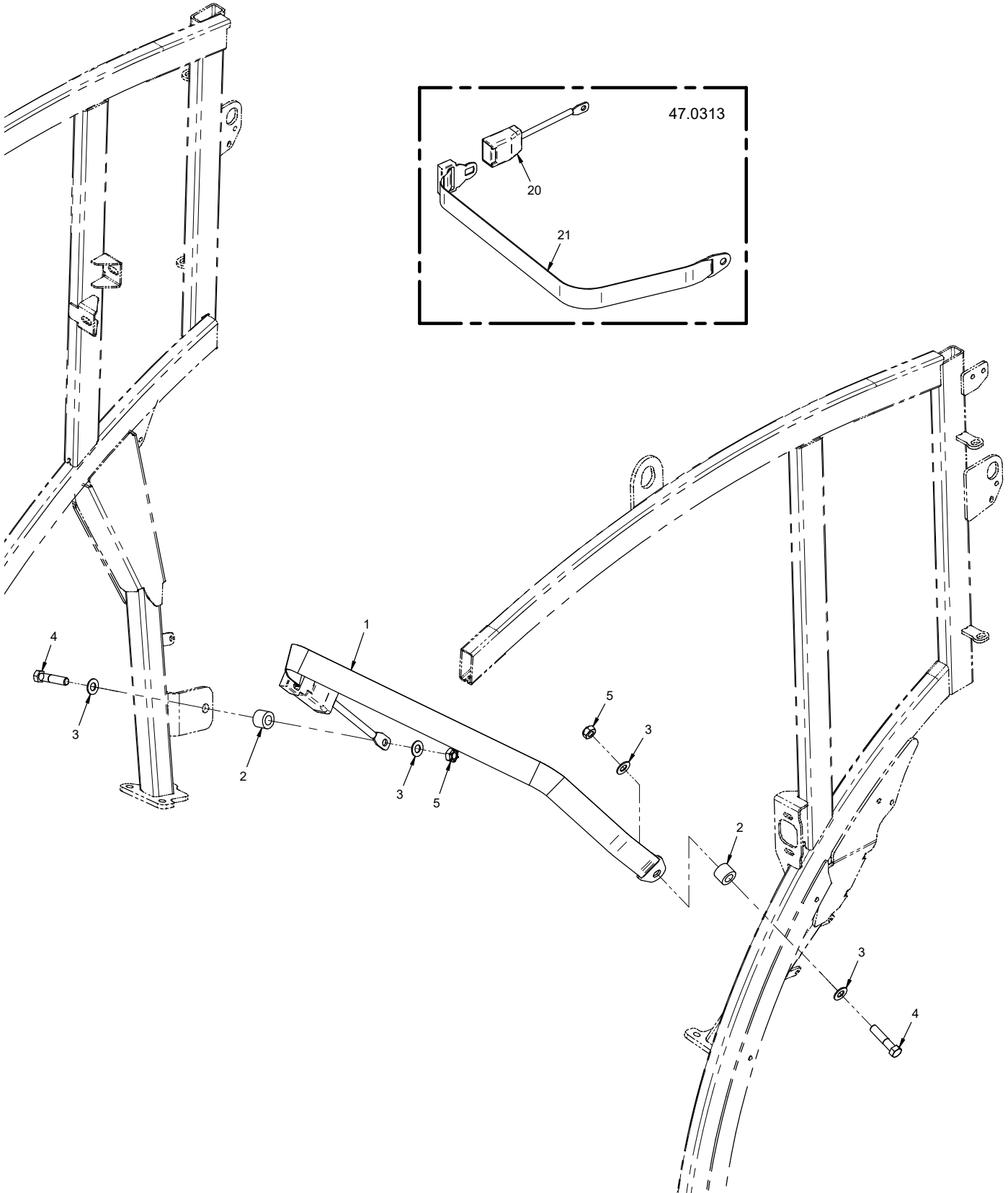
PARTS

Lower Right Window

REF.	PART NO.	DESCRIPTION	QTY.
1	44.0373	.WINDOW, RIGHT LOWER.	1
2	05.0164	.WASHER, RUBBER EPDM	4
3	64.1940	.BUSHING, 0.27 X 0.62 X 0.44L	4
4	99.B0117	.WASHER, 1/4 SQ - CARRIAGE BOLT	4
5	99.K0119	.BOLT, STEP 1/4-20 X 1-1/2 BLK	4
6	99.SF04	.NUT, SRF 1/4-20 USS.	4
7	99.B0116	.WASHER, FENDER 1/4 X 1-1/4.	4
8	06.0072-78IN	.TRIM, SEAL DOUBLE BULB 3/16" X 78"	1
9	05.0165	.GROMMET, FLANGE .28X0.74X0.43T	4

PARTS

ILLUSTRATED DRAWING Seat Belt



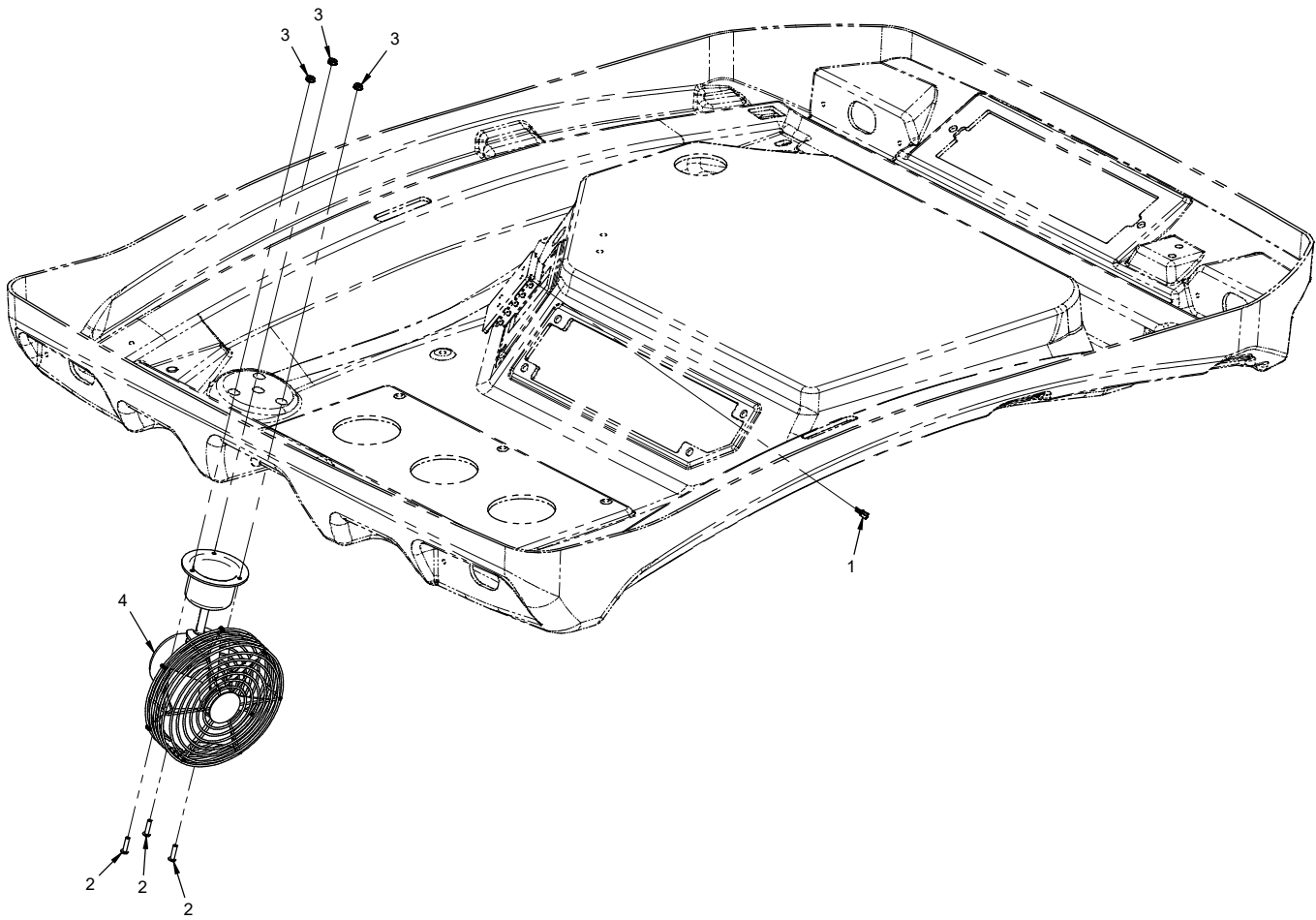
PARTS

Seat Belt

REF.	PART NO.	DESCRIPTION	QTY.
1	47.0313	.SEAT BELT, LAP W/BUCKLE	1
2	64.1944	.BUSHING, SEATBELT MOUNT	2
3	95.07	.WASHER, FLAT 7/16 SAE	4
4	90.0716	.BOLT, 7/16-14 USS X 2	2
5	99.A07	.LOCKNUT, STOVER 7/16-14 USS	2
20	47.0313-2	.SEAT BELT, BUCKLE	1
21	47.0313-1	.SEAT BELT, LAP BELT	1

PARTS

ILLUSTRATED DRAWING 70.2006-6 Defrost Fan Kit



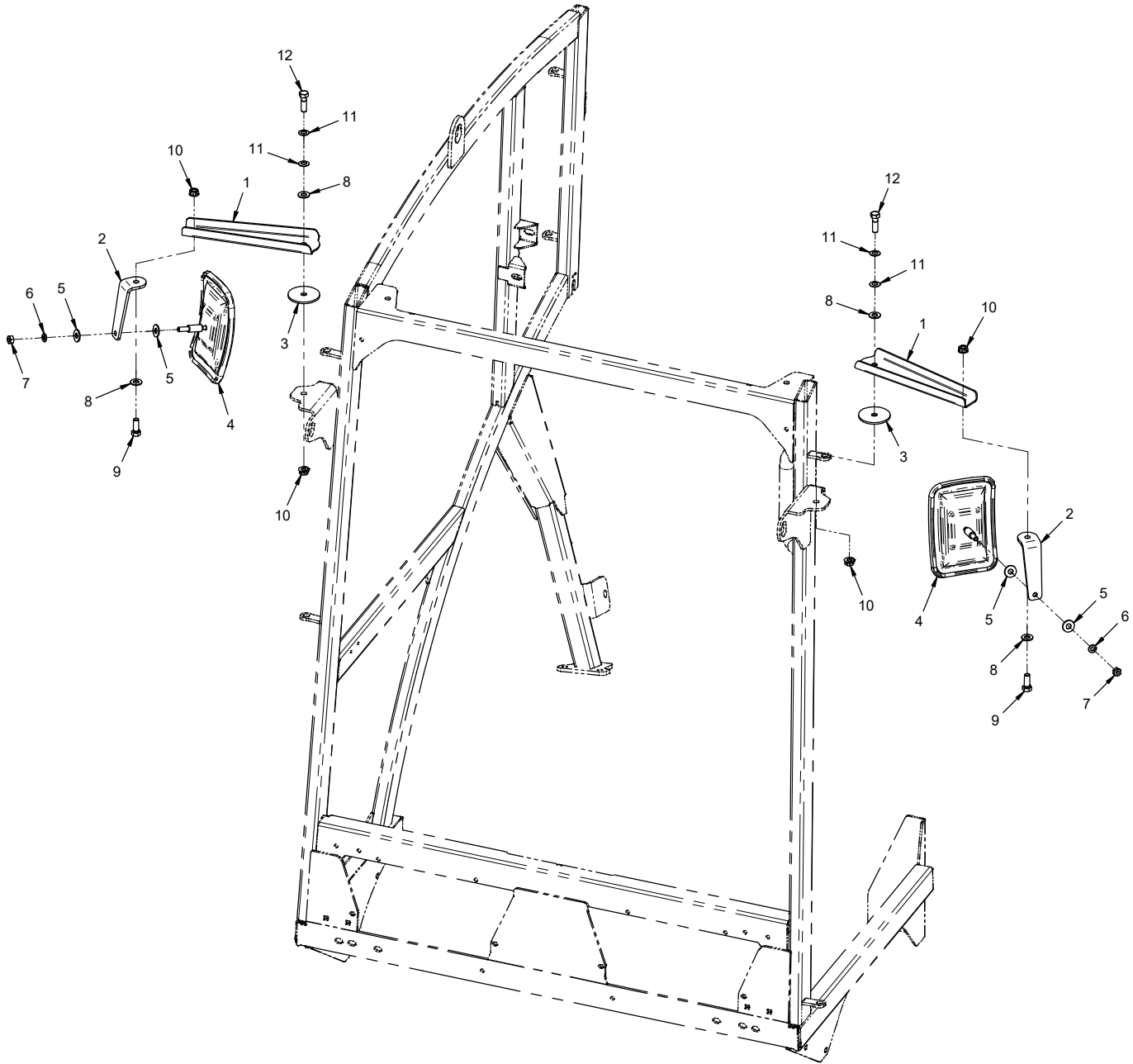
PARTS

70.2006-6 Defrost Fan Kit

REF.	PART NO.	DESCRIPTION	QTY.
1	30.0317	FUSE, 10 AMP ATC BLADE - RED	1
2	99.K0047	MACHINE SCREW, #10-32 X 3/4	3
3	99.E0049	NUT, WASHER #10-32 (STAR NUT)	3
4	37.0051	FAN, DEFROSTER	1

PARTS

ILLUSTRATED DRAWING 70.2006-4 Mirror Kit



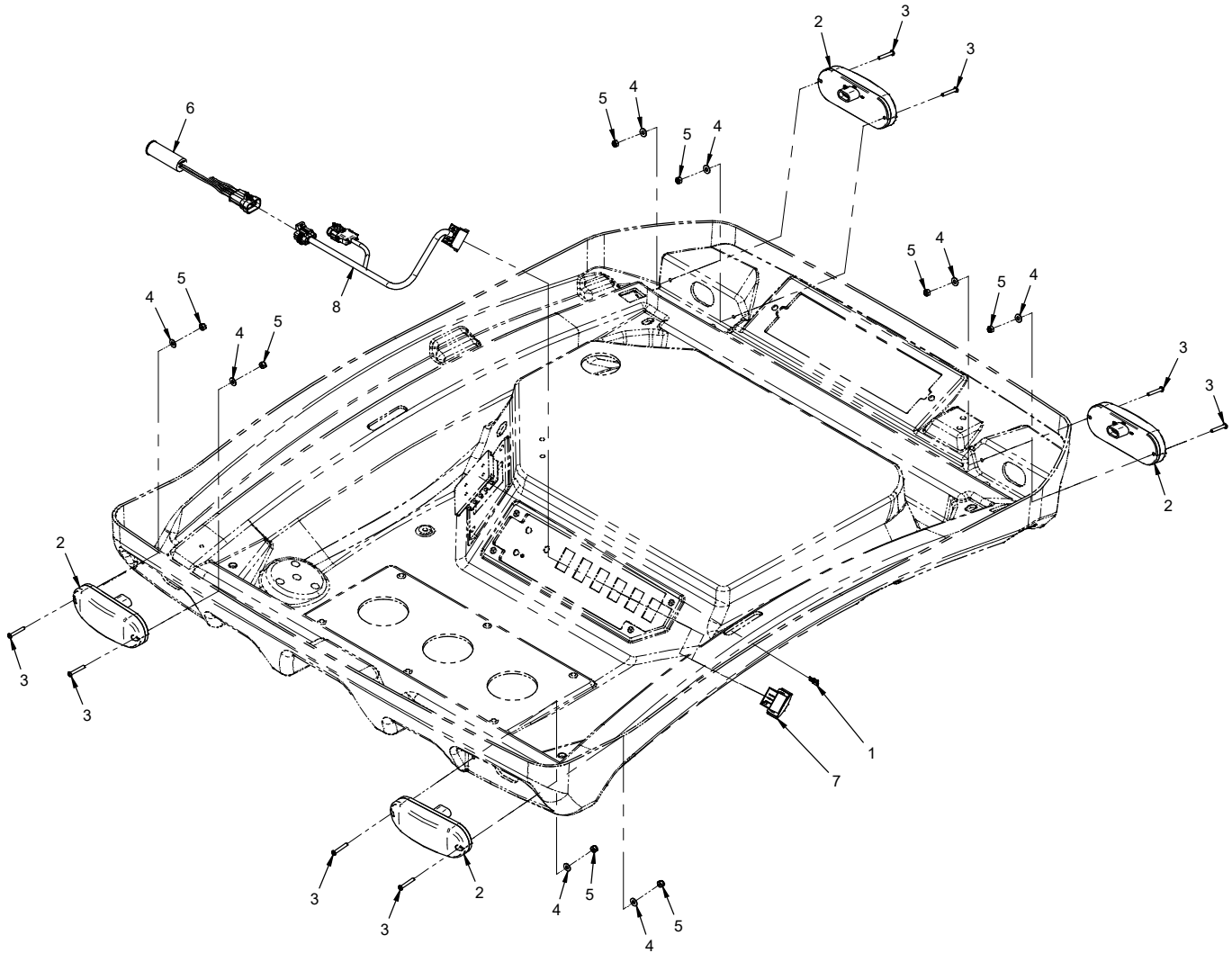
PARTS

70.2006-4 Mirror Kit

REF.	PART NO.	DESCRIPTION	QTY.
1	64.1932	.BRACKET, MIRROR ARM	2
2	64.1497	.BRACKET, MIRROR MOUNT	2
3	05.0002	.WASHER, FRIC. 2-1/4 X 3/8	2
4	47.0290	.MIRROR, CONVEX 5" X 7"	2
5	94.05	.WASHER, FLAT 5/16 USS	4
6	96.05	.WASHER, LOCK 5/16	2
7	99.M0025	.NUT, M8 X 1.25MM	2
8	95.06	.WASHER, FLAT 3/8 SAE	4
9	90.0608	.BOLT, 3/8-16 USS X 1	2
10	99.E0082	.NUT, LOCKING FLANGE 3/8-16	4
11	41.0099	.SPRING, DISC 3/8 ID X 3/4 OD	4
12	90.0610	.BOLT, 3/8-16 USS X 1-1/4	2

PARTS

ILLUSTRATED DRAWING 70.8162 Cab Hazard Lights Kit



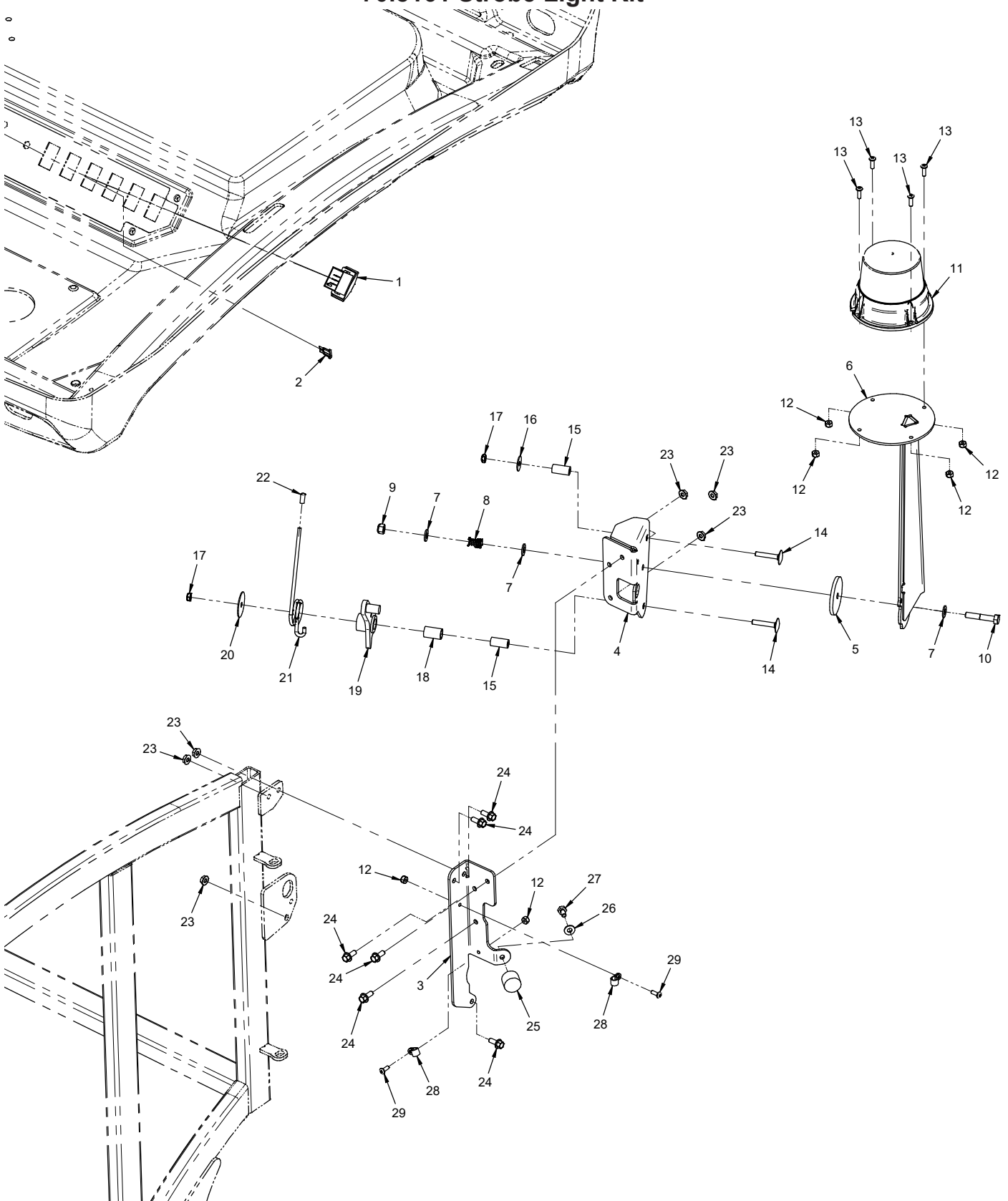
PARTS

70.8162 Cab Hazard Lights Kit

REF.	PART NO.	DESCRIPTION	QTY.
1	30.0187	.FUSE, 5 AMP ATC BLADE - TAN	1
2	33.0070	.LIGHT, SIGNAL AMBER	4
3	99.K0144	.MACHINE SCREW, #10-32 X 1-1/4	8
4	99.B0051	.WASHER, FLAT #10	8
5	99.A1032N	.LOCKNUT, NYLON 10-32 STAINLESS	8
6	35.0127	.MODULE, DIRECTIONAL LIGHT	1
7	31.0053	.SWITCH, ROCKER ON/OFF	1
8	32.0176	.HARNES, WIRE HAZARD	1

PARTS

ILLUSTRATED DRAWING 70.8161 Strobe Light Kit



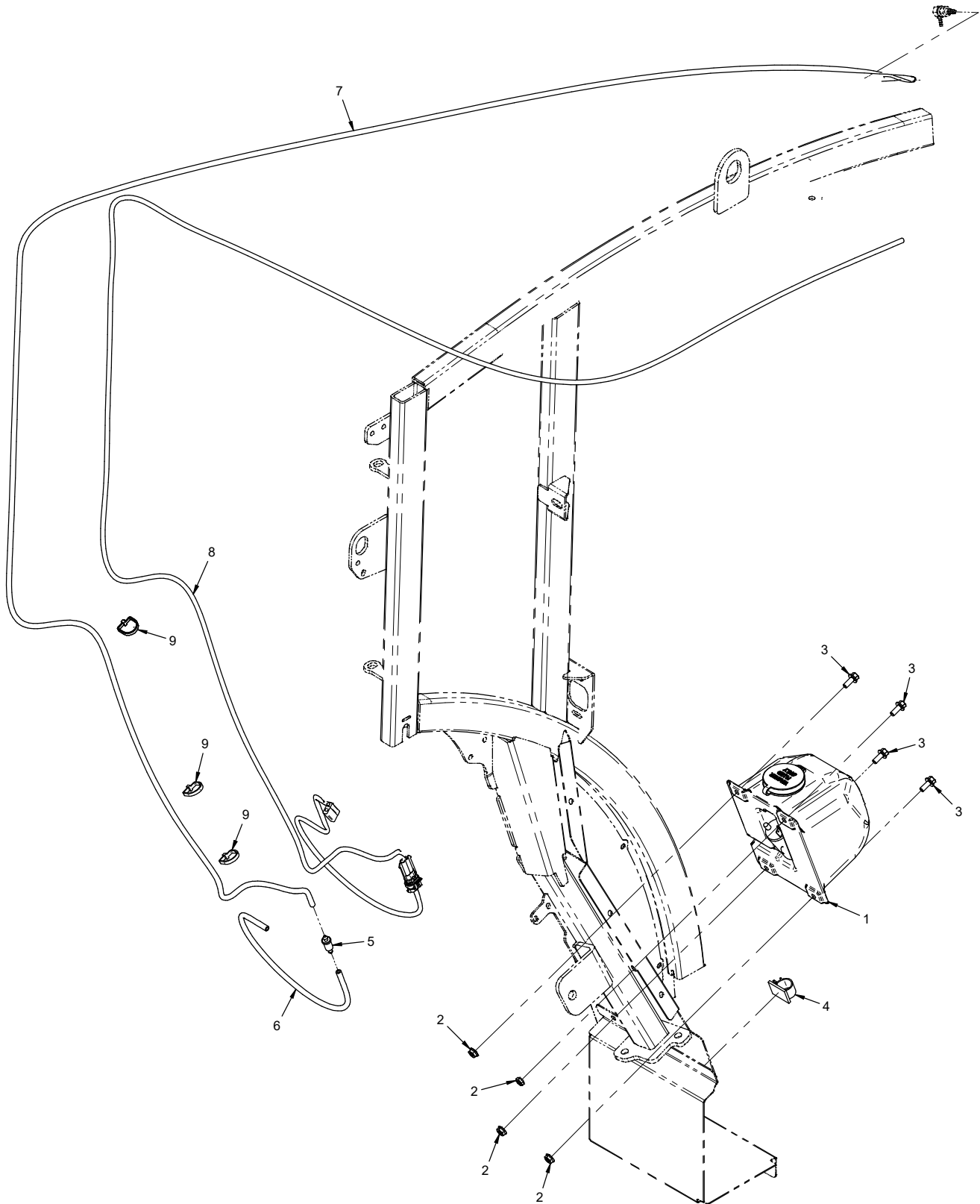
PARTS

70.8161 Strobe Light Kit

REF.	PART NO.	DESCRIPTION	QTY.
1	31.0053	.SWITCH, ROCKER ON/OFF	1
2	30.0187	.FUSE, 5 AMP ATC BLADE - TAN.	1
3	64.1947	.BRACKET, STROBE MOUNT LW452	1
4	64.1946	.BRACKET, STROBE PIVOT / LATCH	1
5	05.0167	.WASHER, FRIC. 2.25X0.34X3/16T	1
6	62.1469	.FRAME, STROBE PIVOT ARM	1
7	95.05	.WASHER, FLAT 5/16 SAE	3
8	41.0108	.SPRING, COMP. .531 OD X .780 LG.	1
9	99.A05N	.LOCKNUT, NYLON 5/16-18 USS	1
10	90.0514	.BOLT, 5/16-18 USS X 1-3/4"	1
11	33.0073	.LIGHT, STROBE AMBER	1
12	99.A1032N	.LOCKNUT, NYLON 10-32 STAINLESS	6
13	99.K0071	.MACHINE SCREW, #10-32 X 5/8.	4
14	99.K0119	.BOLT, STEP 1/4-20 X 1-1/2 BLK	2
15	64.1948	.BUSHING, SPRING ARM	2
16	99.B0100	.WASHER, FENDER 1/4 X 7/8 OD ZP	1
17	99.A04	.LOCKNUT, STOVER 1/4-20 USS	2
18	85.B0062	.BUSHING, 1/2 ID X 5/8 OD X 1	1
19	40.0402	.ARM, SPRING LATCH	1
20	99.B0115	.WASHER, FENDER 1/4 X 1-1/2.	1
21	41.0083-1	.SPRING, TORSION RH 1-3/16X5.18.	1
22	06.0083	.CAP, VINYL 3/16" ID X 1/2	1
23	99.SF04	.NUT, SRF 1/4-20 USS.	6
24	99.SF0405-1	.BOLT, SMF 1/4-20 X 5/8	6
25	05.0125	.BUMPER, NEOPRENE 1" DIA.	1
26	95.04	.WASHER, FLAT 1/4 SAE	1
27	90.0404	.BOLT, 1/4-20 USS X 1/2"	1
28	30.0143	.CLAMP, WIRE MT 5/16 NYLON WHT	2
29	99.K0062	.MACHINE SCREW, #10-32 X 1/2.	2

PARTS

ILLUSTRATED DRAWING 70.8148 Windshield Washer Kit



PARTS

70.8148 Windshield Washer Kit

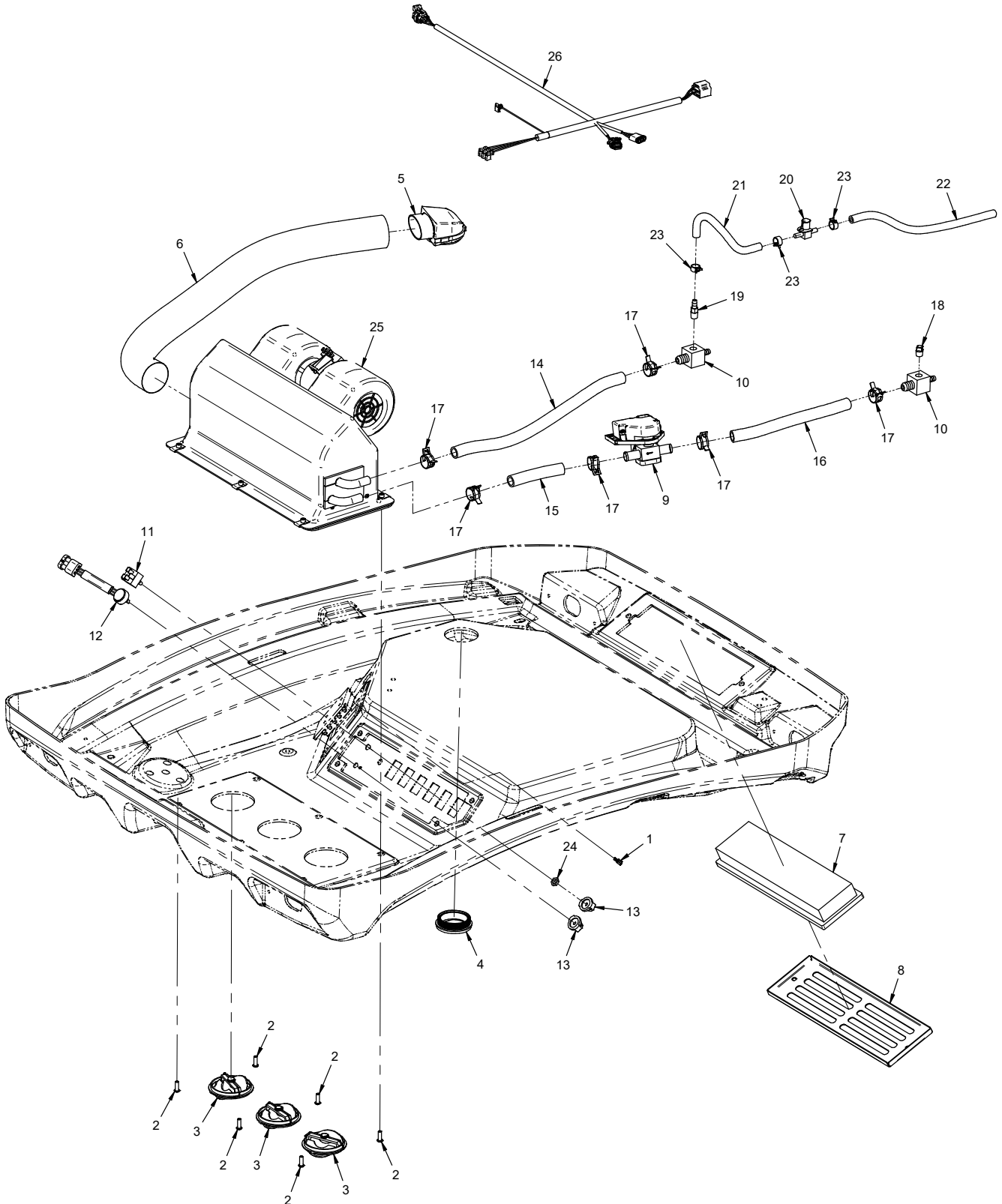
REF.	PART NO.	DESCRIPTION	QTY.
1	47.0382	.RESERVOIR, WINDSHIELD WASHER	1
2	99.SF04	.NUT, SRF 1/4-20 USS.	4
3	99.SF0405-1	.BOLT, SMF 1/4-20 X 5/8	4
4	30.0498	.CLAMP, WIRE MT ADH. 3/4" GRAY	1
5	23.0169	.VALVE, CHECK 5/32" INLINE	1
6	27.0003	.TUBING, WINDSHIELD WASHER X 1'	1
7	27.0002	.TUBING, WINDSHIELD WASHER X 12'	1
8	32.0175	.HARNESS, WIRE WINDSHLD WASHER.	1
9	30.0037	.TYTON TIE, #50 .18 X 8 BLACK	4

PARTS

ILLUSTRATED DRAWING

70.8160 Console Fan/Heater Kit

(Cabs with serial # 01196 and higher include the heater as standard equipment)



PARTS

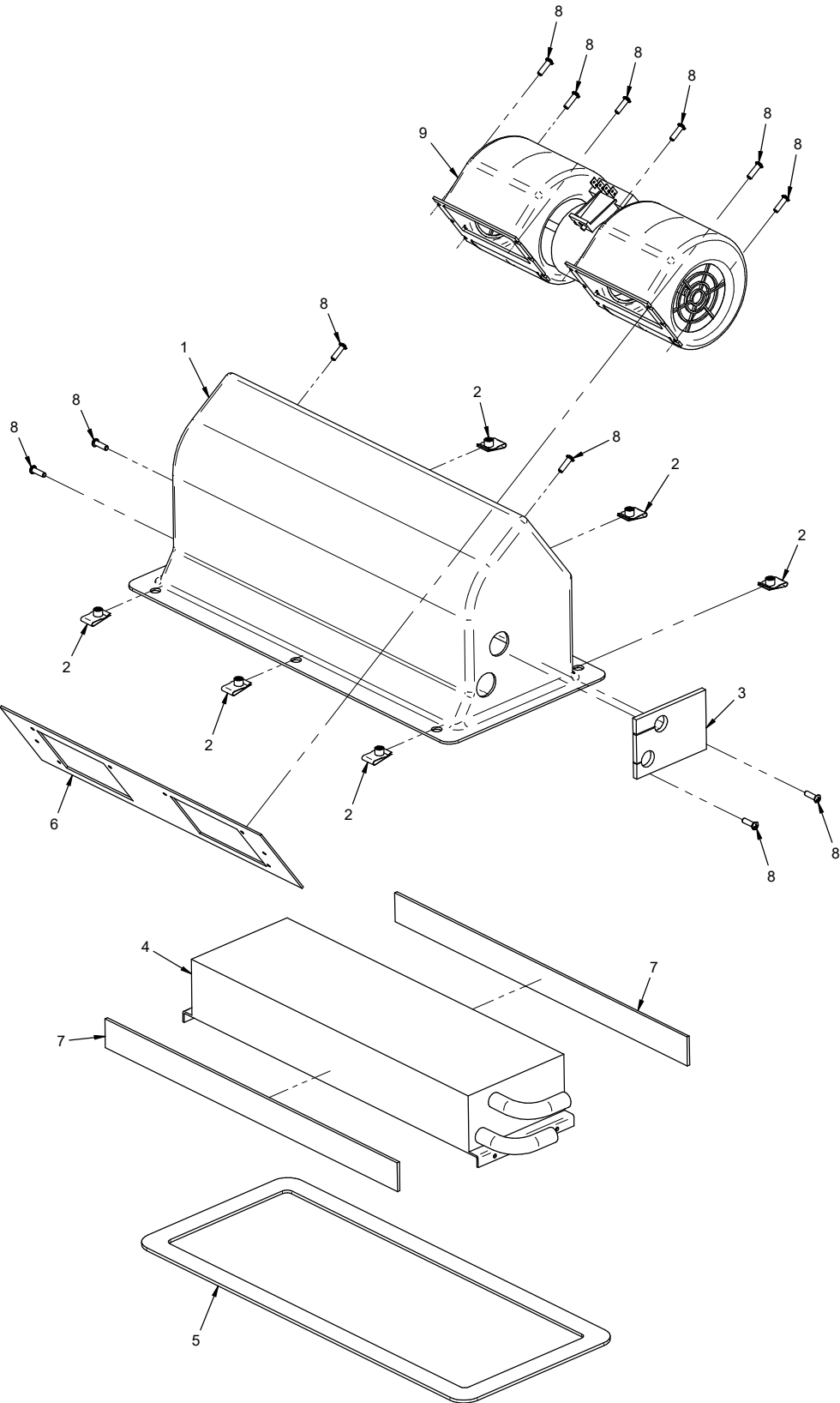
70.8160 Console Fan/Heater Kit

(Cabs with serial # 01196 and higher include the heater as standard equipment)

REF.	PART NO.	DESCRIPTION	QTY.
1	30.0317	.FUSE, 10 AMP ATC BLADE - RED	1
2	99.0406	.BOLT, 1/4-20 X 3/4 BSCS	6
3	47.0380	.VENT, LOUVER 3"	3
4	47.0390	.VENT, LOUVER 2-1/2"	1
5	47.0391	.DUCT, 90 DEG FOR 47.0390	1
6	47.0392	.DUCT, FLEXIBLE 2-1/2"	1
7	47.0383	.FILTER, AIR	1
8	47.0384	.RETAINER, AIR FILTER VENTED	1
9	47.0389	.VALVE, ELECTRONIC TEMP CONTROL	1
10	29.BF0610FP04	.FITTING, TEE 3/8 X 5/8 X 04NPT	2
11	31.0066	.SWITCH, FAN SPEED	1
12	31.0067	.SWITCH, TEMPERATURE	1
13	47.0386	.KNOB, FAN SPEED / TEMPERATURE	2
14	47.0405	.HOSE, HEATER 5/8 X 20" L	1
15	47.0404	.HOSE, HEATER 5/8 X 5" L	1
16	47.0406	.HOSE, HEATER 5/8 X 23" L	1
17	11.0079	.CLAMP, SPRING 5/8" HEATER HOSE	6
18	29.P04	.PIPE, PLUG 1/4" SQ	1
19	29.BF05MP04	.FITTING, 5/16 BARB X 1/4 MP ST.	1
20	47.0328	.VALVE, FUEL SHUT OFF 5/16"	1
21	27.F05-6IN	.HOSE, FUEL LINE X 5/16 X 6"	1
22	27.F05-18IN	.HOSE, FUEL LINE X 5/16 X 18"	1
23	11.0048	.CLAMP, HOSE BAND 9/16" OD HOSE	3
24	99.E0121	.NUT, PANEL 7/16-28 UNEF	1
25	N/A	.HEATER, BLOWER ASSEMBLY	1
26	32.0174	.HARNES, WIRE HEATER KIT	1

PARTS

ILLUSTRATED DRAWING Heater Blower Assembly



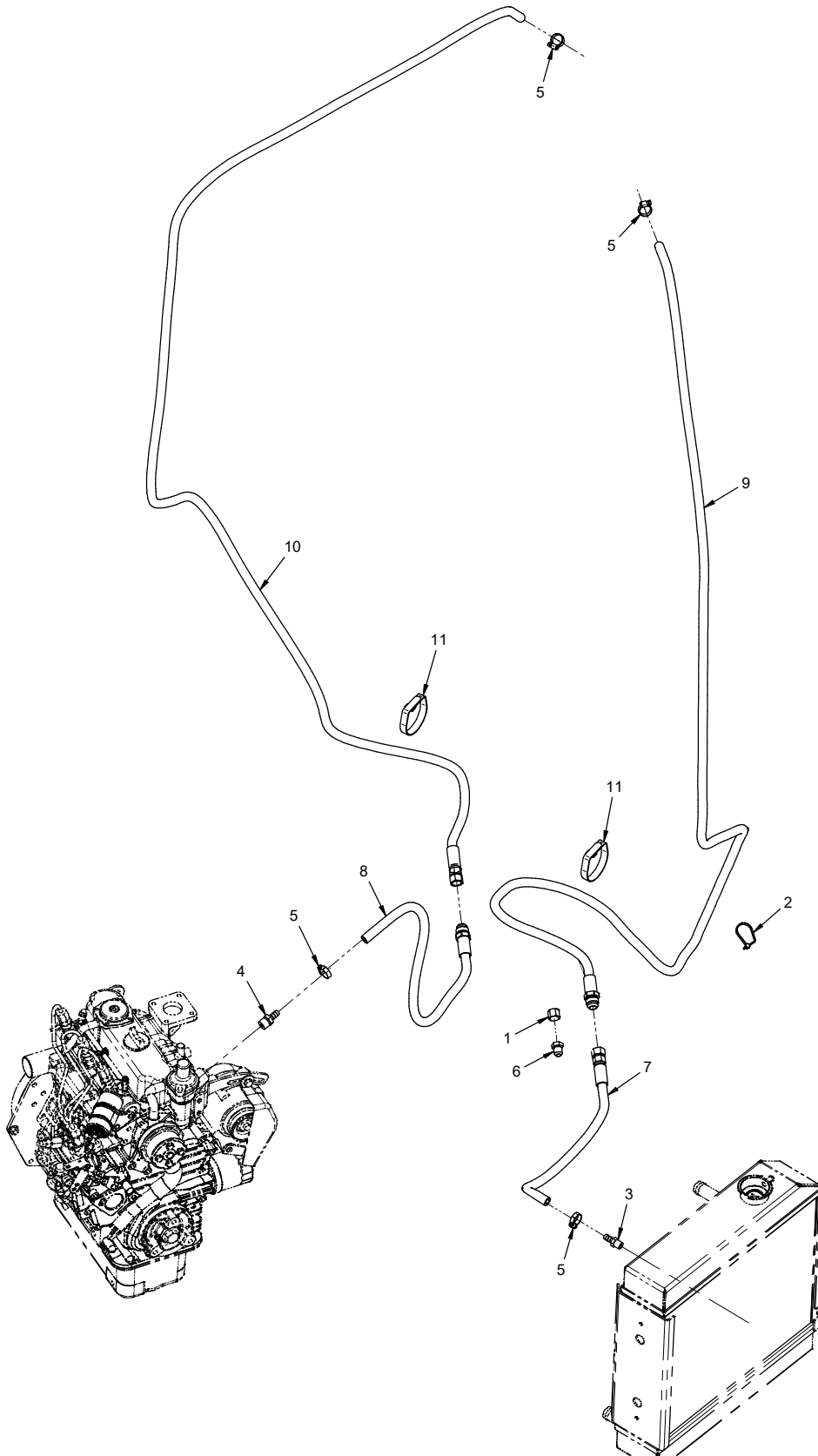
PARTS

Heater Blower Assembly

REF.	PART NO.	DESCRIPTION	QTY.
1	47.0407	.HOUSING, HEATER	1
2	99.E0046	.NUT, "U" 1/4-20 EXTRUDED	6
3	44.0386	.FOAM, COIL SEAL	1
4	47.0387	.CORE, HEATER	1
5	44.0366	.GASKET, BLOWER HOUSING	1
6	47.0408	.PLATE, BLOWER BRACKET	1
7	44.0387	.FOAM, HEATER CORE SEAL	2
8	99.K0147	.SCREW, #8 X 5/8 FOR PLASTIC	12
9	47.0394	.BLOWER, HEATER	1

PARTS

ILLUSTRATED DRAWING 70.8144 Heater Install Kit For 3400Y



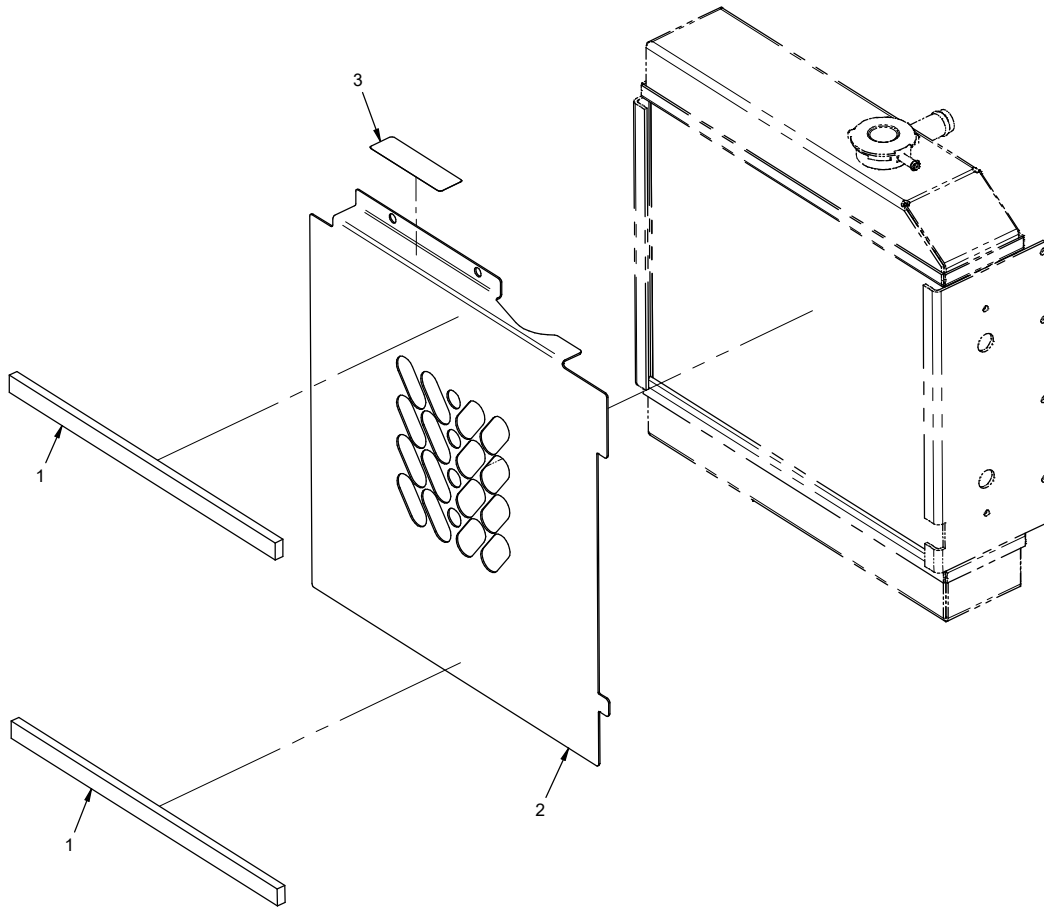
PARTS

70.8144 Heater Install Kit For 3400Y

REF.	PART NO.	DESCRIPTION	QTY.
1	25.304-C-06	.FITTING, CAP 3/8 #6 JIC	2
2	30.0204	.TYTON TIE, #50 .190 X 12"	10
3	29.BF06MP04	.FITTING, 3/8 BARB X 1/4 MP ST.	1
4	29.BF06MBSPT06	.FITTING, 3/8 BRB X 3/8 M BSPT	1
5	11.0032	.CLAMP, HOSE SS 7/16 TO 25/32	4
6	25.2408-06	.FITTING, PLUG -6 MJIC	2
7	22.0069	.HOSE, 3/8X20.00 HTR SAE J20R3	1
8	22.0068	.HOSE, 3/8X31.00 HTR SAE J20R3	1
9	22.0055	.HOSE, 3/8X104.00 HTR SAE J20R3	1
10	22.0057	.HOSE, 3/8X115.00 HTR SAE J20R3	1
11	30.0411	.VELCRO, CABLE TIE.	2

PARTS

ILLUSTRATED DRAWING 70.3056 Radiator Baffle 3400Y Kit



PARTS

70.3056 Radiator Baffle 3400Y Kit

REF.	PART NO.	DESCRIPTION	QTY.
1	06.0055-15IN	WEATHERSTRIP, 3/8 X 3/4 X 15"	2
2	70.3056	KIT, RADIATOR BAFFLE 3400Y	1
3	00.0424	DECAL, CAUTION 3400Y	1

WARRANTY



LIMITED WARRANTY - VENTRAC COMMERCIAL EQUIPMENT

Venture Products, Inc., (henceforth referred to as V.P.I.) warrants on the terms and conditions herein, that it will repair, replace, or adjust any part manufactured by Venture Products Inc., and found by Venture Products, Inc., to be defective in material and/or workmanship during the applicable warranty term.

All Ventrac commercial equipment purchased and registered on or after January 1, 2019 will carry a 2-year commercial warranty. The warranty period begins on the date of original customer purchase:

Ventrac Commercial Equipment	Warranty Term
2100 SSV & Attachments	2-year
3000 Series Tractors & Attachments	2-year
4000 Series Tractors & Attachments	2-year

All Ventrac add-on kits and accessories such as: 3-point hitch, 12V front & rear power outlets, foot pedal, dual wheel kit, etc., will be covered under the above warranty periods provided they are installed by an Authorized Ventrac Dealer. This warranty may be transferred and will carry the remainder of the warranty starting from the original purchase/registration date with the dealership and/or V.P.I.

The engine warranty is covered by its respective engine manufacturer. Please refer to the engine manufacturer's warranty statement that is included in the owner's manual.

For warranty consideration on Ventrac commercial equipment, including any defective part, must be returned to an Authorized Ventrac Dealer within the warranty period. The warranty shall extend to the cost to repair or replace (as determined by V.P.I.) the defective part. The expense of pickup and delivery of equipment, service call drive time or any transportation expense incurred for warranty repair is the sole responsibility of the owner and is not covered under warranty by Ventrac and/or V.P.I. Ventrac and V.P.I.'s responsibility in respect to claims is limited to making the required repairs or replacements, and no claim of breach of warranty shall be cause for cancellation or rescission of the contract of sale of any Ventrac equipment. Proof of purchase may be required by the dealer to substantiate any warranty claim. Only warranty work performed and submitted by an Authorized Ventrac Dealer may be eligible for warranty credit.

This warranty extends only to Ventrac commercial equipment operated under normal conditions and properly serviced and maintained. The warranty expressly does NOT cover: (a) any defects, damage or deterioration due to normal use, wear and tear, or exposure; (b) normal maintenance services, such as cleaning, lubrication, oil change; (c) replacement of service items, such as oil, lubricants, spark plugs, belts, rubber hoses, bearings or other items subject to normal service replacement; (d) damage or defects arising out of, or relating to abuse, misuse, neglect, alteration, negligence or accident; (e) repair or replacement arising from operation of, or use of the equipment which is not in accordance with operating instructions as specified in the operator's manual or other operational instructions provided by V.P.I.; (f) repair or replacement arising as a result of any operation from Ventrac equipment that has been altered or modified so as to, in the determination of V.P.I., adversely affect the operation, performance or durability of the equipment or that has altered, modified or affected the equipment so as to change the intended use of the product; (g) repair or replacement necessitated by the use of parts, accessories or supplies, including gasoline, oil or lubricants, incompatible with the equipment or other than as recommended in the operator's manual or other operational instructions provided by V.P.I.; (h) repairs or replacements resulting from parts or accessories which have adversely affected the operation, performance or durability of the equipment; or (i) damage or defects due to or arising out of repair of Ventrac equipment by person or persons other than an authorized Ventrac service dealer or the installation of parts other than genuine Ventrac parts or Ventrac recommended parts.

WARRANTY



LIMITED WARRANTY - VENTRAC COMMERCIAL EQUIPMENT

The sole liability of V.P.I. with respect to this warranty shall be the repair and replacement as set forth herein. V.P.I. shall have no liability for any other cost, loss, or damage. In particular V.P.I shall have no liability or responsibility for: (i) expenses relating to gasoline, oil, lubricants; (ii) loss, cost or expense relating to transportation or delivery of turf equipment from the location of owner or location where used by owner to or from any Authorized Ventrac Dealer; (iii) travel time, overtime, after hours' time or other extraordinary repair charges or charge relating to repairs or replacements outside of normal business hours at the place of business of an Authorized Ventrac Dealer; (iv) rental of like or similar replacement equipment during the period of any warranty repair or replacement work; (v) any telephone or telegram charges; (vi) loss or damage to person or property other than that covered by the terms of this warranty; (vii) any claims for lost revenue, lost profit or additional cost or expense incurred as a result of a claim of breach of warranty; or (viii) attorney's fees.

The remedies of buyer set forth herein are exclusive and are in lieu of all other remedies. The liability of V.P.I., whether in contract, tort, under any warranty, or otherwise, shall not extend beyond its obligation as set forth herein. V.P.I. shall not be liable for cost of removal or installation nor shall V.P.I. be responsible for any direct, indirect, special or consequential damages of any nature. In no event shall V.P.I. be liable for any sum in excess of the price received for the goods for which liability is claimed.

There are no representations or warranties which have been authorized to the buyer of the Ventrac commercial equipment other than set forth in this warranty. Any and all statements or representations made by any seller of this equipment, including those set forth in any sales literature or made orally by any sales representative, are superseded by the terms of this warranty. Any affirmation of fact or promise made by V.P.I. or any of its representatives to the buyer which relates to the goods that are the subject to this warranty shall not be regarded as part of the basis of the bargain and shall not be deemed to create any express warranty that such goods shall conform to the affirmation or promise.

No employee, distributor, or representative is authorized to change the foregoing warranties in any way or grant any other warranty on behalf of V.P.I.

Some states do not allow limitations on how long an implied warranty lasts or allow the exclusion on limitation of incidental or consequential damages, so the above limitation or exclusion may not apply to you.

This warranty gives you specific legal rights, and you may also have other rights which vary from state to state.

This warranty applies to all Ventrac commercial equipment sold by Venture Products Inc.