

Parts Manual

KX480

Snow Blower



Revised 10/07/24
09.20028 Rev. 03



500 Venture Drive
Orrville Oh 44667
www.ventrac.com

Serial Number Description



Notes

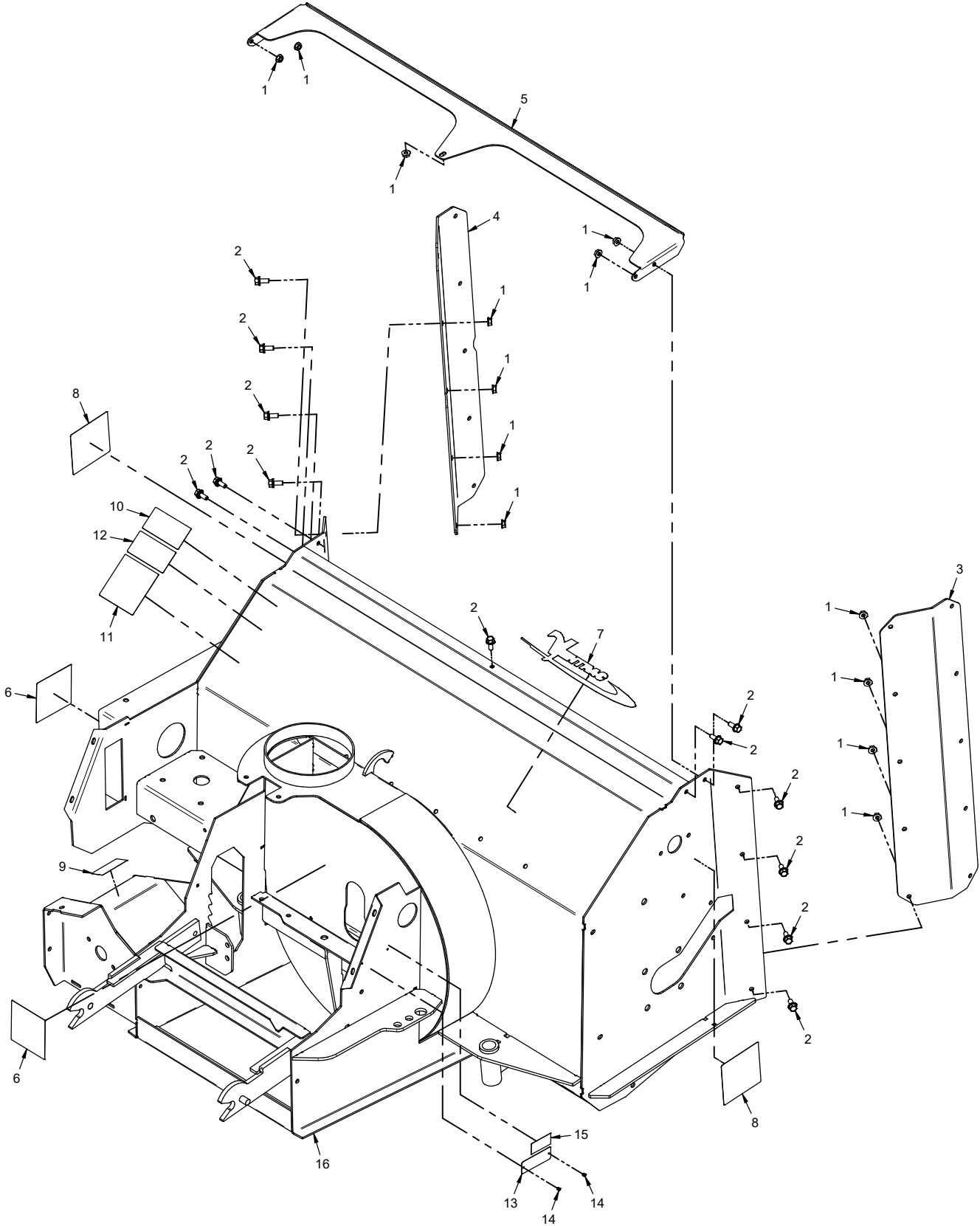
- If any component requires replacement, use only original Ventrac replacement parts.
- When ordering new components, be sure to order all required safety decals. All current safety decals must be affixed to the replacement components prior to installation of the component.

TABLE OF CONTENTS

PARTS	PAGE 4
Main Frame, Auger Guard, and Vertical Cutting Edges	4
Auger and Discharge Guide Plate.....	6
Cutting Edge and Skid Shoes	8
Fan, Bearings, and Fan Shaft	10
Discharge Chute, Post, and Deflector Adjustment Link	12
Discharge Chute Extensions.....	14
Discharge Chute Rotation Drive.....	16
Drive Shaft and Attachment Belt	18
Gearbox and Gearbox Drive	20
Auger Drive and Cover.....	22
Fan Drive.....	24
Main Drive Cover and Chute Cleaning Tool.....	26
Discharge Chute Guard	28
OPTIONS	PAGE 30
70.8025 12 Volt Actuator	30
70.8219 Deep Snow Auger Kit.....	32

PARTS

ILLUSTRATED DRAWING Main Frame, Auger Guard, and Vertical Cutting Edges



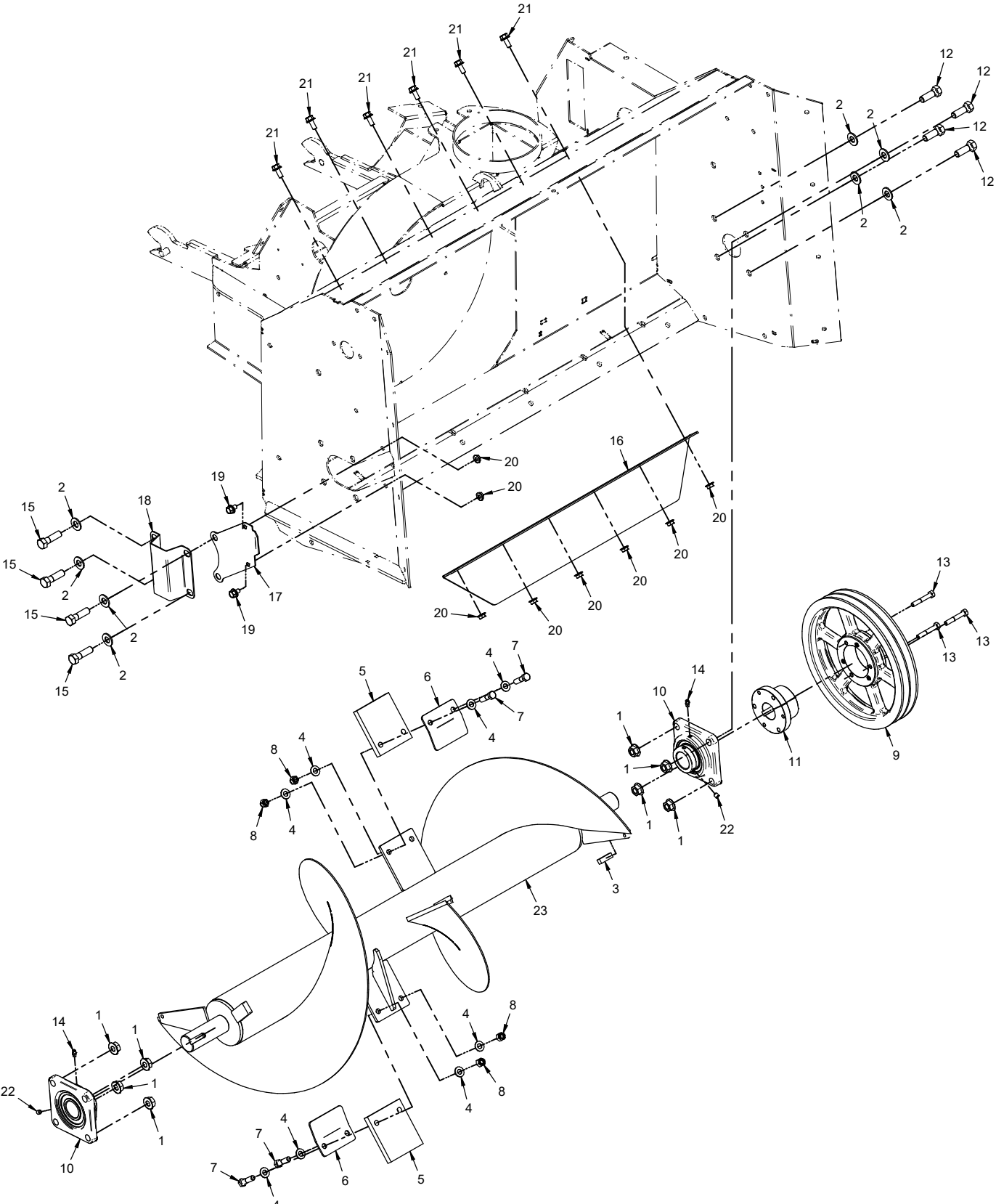
PARTS

Main Frame, Auger Guard, and Vertical Cutting Edges

REF.	PART NO.	DESCRIPTION	QTY.
1	99.SF05	Nut, SRF 5/16-18 USS	13
2	99.SF0506	Bolt, SRF 5/16-18 USS X 3/4	13
3	60.0983	Cutting Edge, Vertical Right	1
4	60.0878	Cutting Edge, Vertical Left	1
5	KX-1006	Guard, Auger HSG Crossbar	1
6	00.0062	Decal, Danger Shield Missing (Serial # 01001-01544)	2
6	00.0625	Decal, Shield Missing (Serial # 01545-)	2
7	00.0189	Decal, Ventrac Orbital (Serial # 01001-01676)	1
7	00.0383	Decal, Ventrac (Serial # 01677-)	1
8	00.0208	Decal, Danger Auger Hazard (Serial # 01001-01544)	2
8	00.0630	Decal, Entanglement Hazard (Serial # 01545-)	2
9	00.0216	Decal, Warning Moving Parts (Serial # 01001-01544)	1
9	00.0631	Decal, Finger/Hand Entanglement (Serial # 01545-)	1
10	00.0217	Decal, Warning Read Owners Man (Serial # 01001-01544)	1
10	00.0619	Decal, Read Operato's Manual (Serial # 01545-)	1
11	00.0122	Decal, Thrown Object Hazard (Serial # 01001-01544)	1
11	00.0674	Decal, Thrown Objects (Serial # 01545-)	1
12	00.0220	Decal, General Safety (Serial # 01001-01544)	1
12	00.0632	Decal, Moving Parts Hazard (Serial # 01545-)	1
13	N/A	Plate, Ventrac Serial Number	1
14	04.0007	Rivet, Pop 1/8 X 1/8 SS	2
15	00.0770	Decal, Made In USA	1
16	KX-6000	Frame, Main Blower	1

PARTS

ILLUSTRATED DRAWING Auger and Discharge Guide Plate



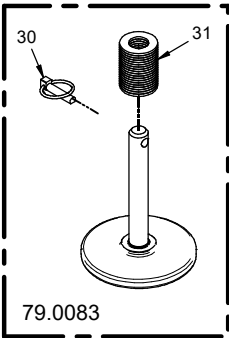
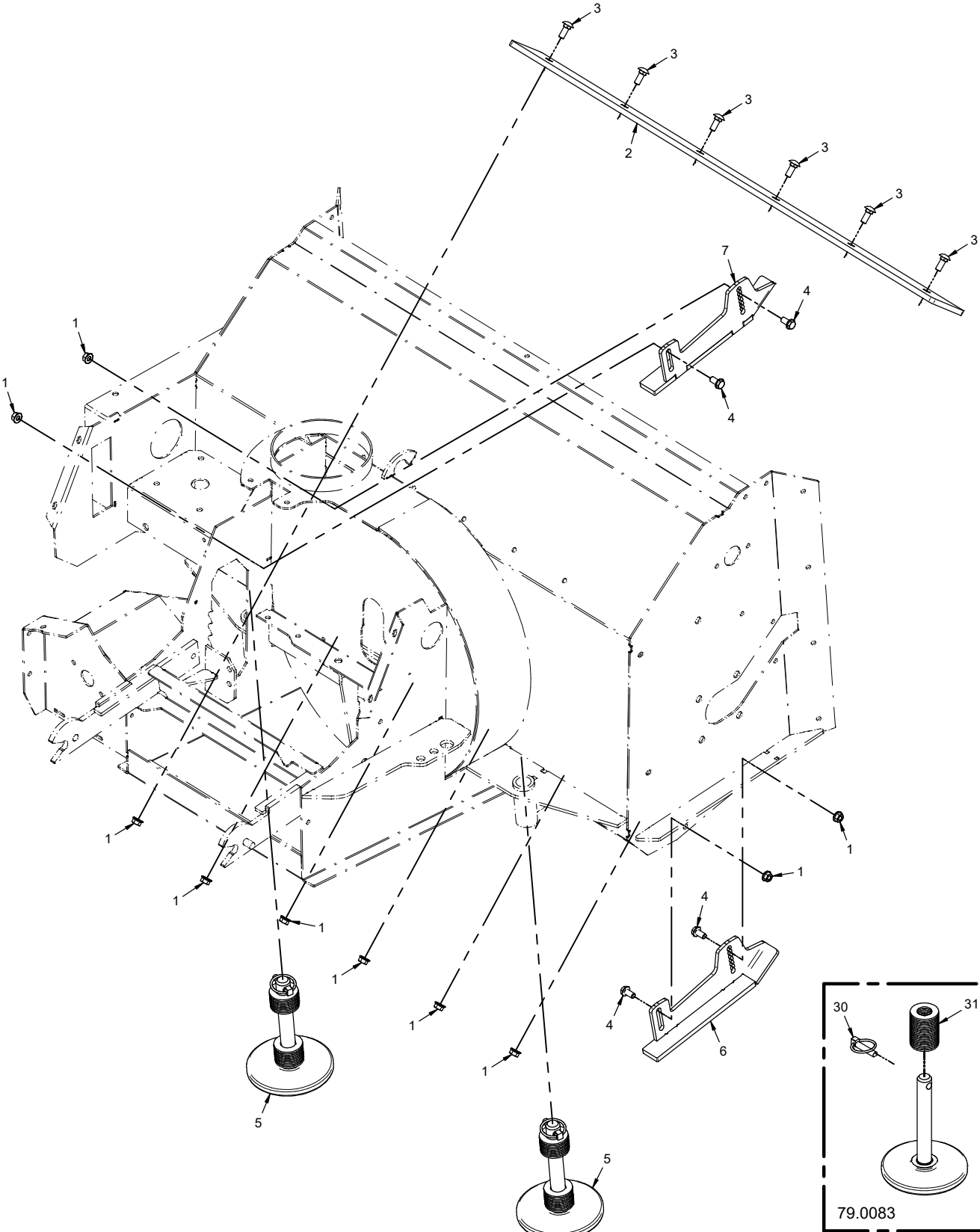
PARTS

Auger and Discharge Guide Plate

REF.	PART NO.	DESCRIPTION	QTY.
1	99.SF08	Nut, SRF 1/2-13 USS	8
2	95.08	Washer, Flat 1/2 SAE	8
3	85.K0610	Key, 3/8 X 1-1/4	1
4	95.06	Washer, Flat 3/8 SAE	8
5	44.0181	Paddle, 1/2" 3 Ply 3/8 X 1/16	2
6	64.1088	Clamp, Rubber Auger Paddles	2
7	90.0612	Bolt, 3/8-16 USS x 1-1/2	4
8	99.A06N	Locknut, Nylon 3/8-16	4
9	83.2B110SK	Pulley, 2 B 11" 2-Groove	1
10	55.FB22023	Bearing, Flange Block 1-7/16"	2
11	83.SK23	Bushing, 1 7/16" SK	1
12	90.0812	Bolt, 1/2-13 USS x 1-1/2	4
13	90.0516	Bolt, 5/16-18 USS x 2	3
14	29.GF0001	Grease Ftg, 1/4 SAE ST	2
15	90.0814	Bolt, 1/2-13 USS x 1-3/4	4
16	60.0873	Plate, Fan Discharge Guide	1
17	64.1283	Bracket, Auger Install Access	1
18	60.0982	Shield, Auger Shaft End RH	1
19	99.SF0504	Bolt, SRF 5/16-18 USS X 1/2	2
20	99.SF05	Nut, SRF 5/16-18 USS	8
21	99.SF0506	Bolt, SRF 5/16-18 USS X 3/4	6
22	85.SS30	Set Screw, 5/16-24 x 5/16	2
23	KX-6001	Auger, Snowblower	1

PARTS

ILLUSTRATED DRAWING Cutting Edge and Skid Shoes



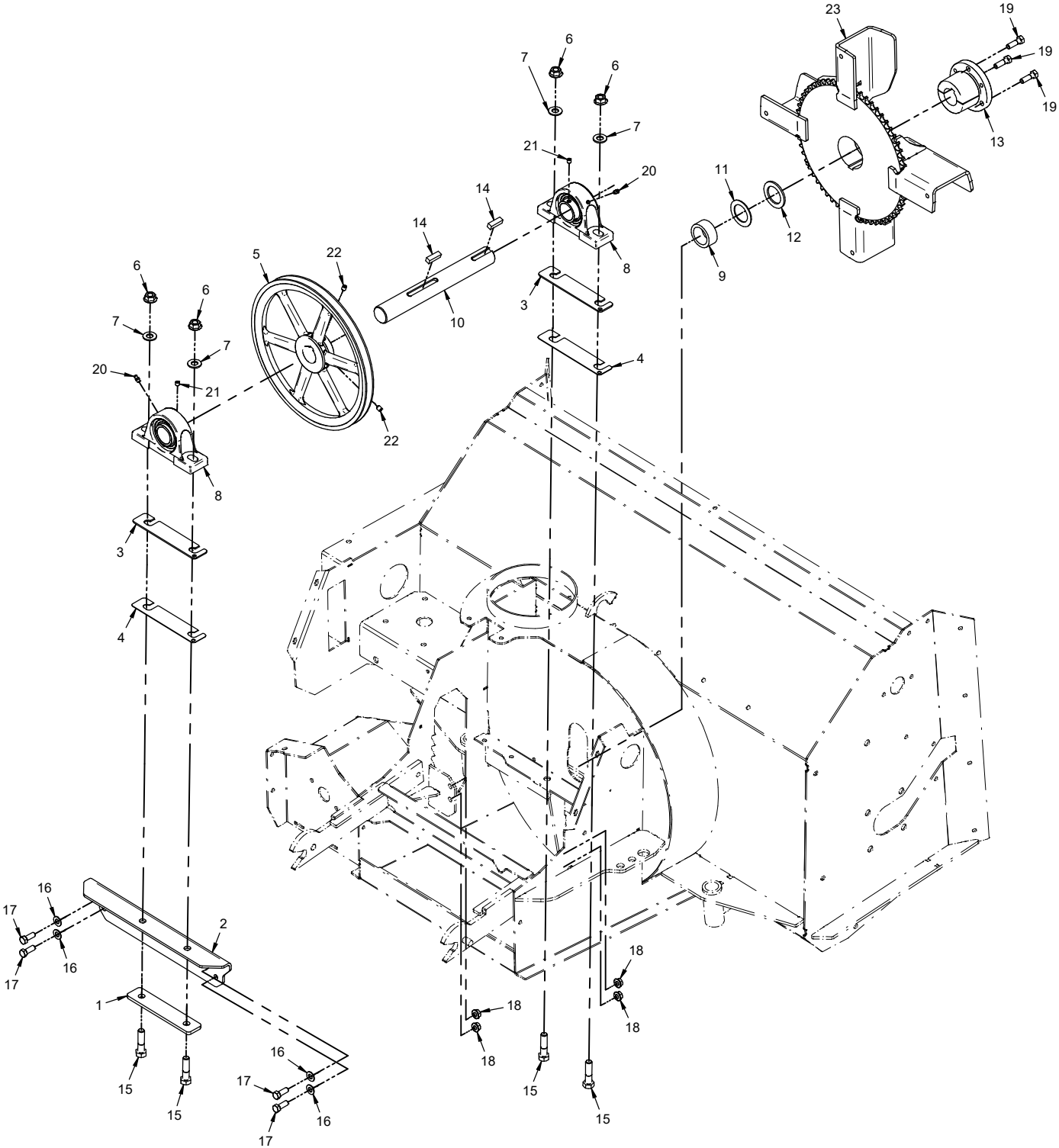
PARTS

Cutting Edge and Skid Shoes

REF.	PART NO.	DESCRIPTION	QTY.
1	99.SF06	Nut, SRF 3/8-16 USS	10
2	78.0065	Cutting Edge, 3/8" x 4" x 42"	1
3	97.0608	Bolt, Carriage 3/8-16 x 1	6
4	99.SF0606	Bolt, SRF 3/8-16 USS x 3/4	4
5	79.0083	Shoe, Skid Round Asm.	2
6	64.1471	Shoe, Skid Front Right	1
7	64.1470	Shoe, Skid Front Left	1
30	03.0005	Pin, Linch	1
31	95.16	Washer, Flat 1 SAE	19

PARTS

ILLUSTRATED DRAWING Fan, Bearings, and Fan Shaft



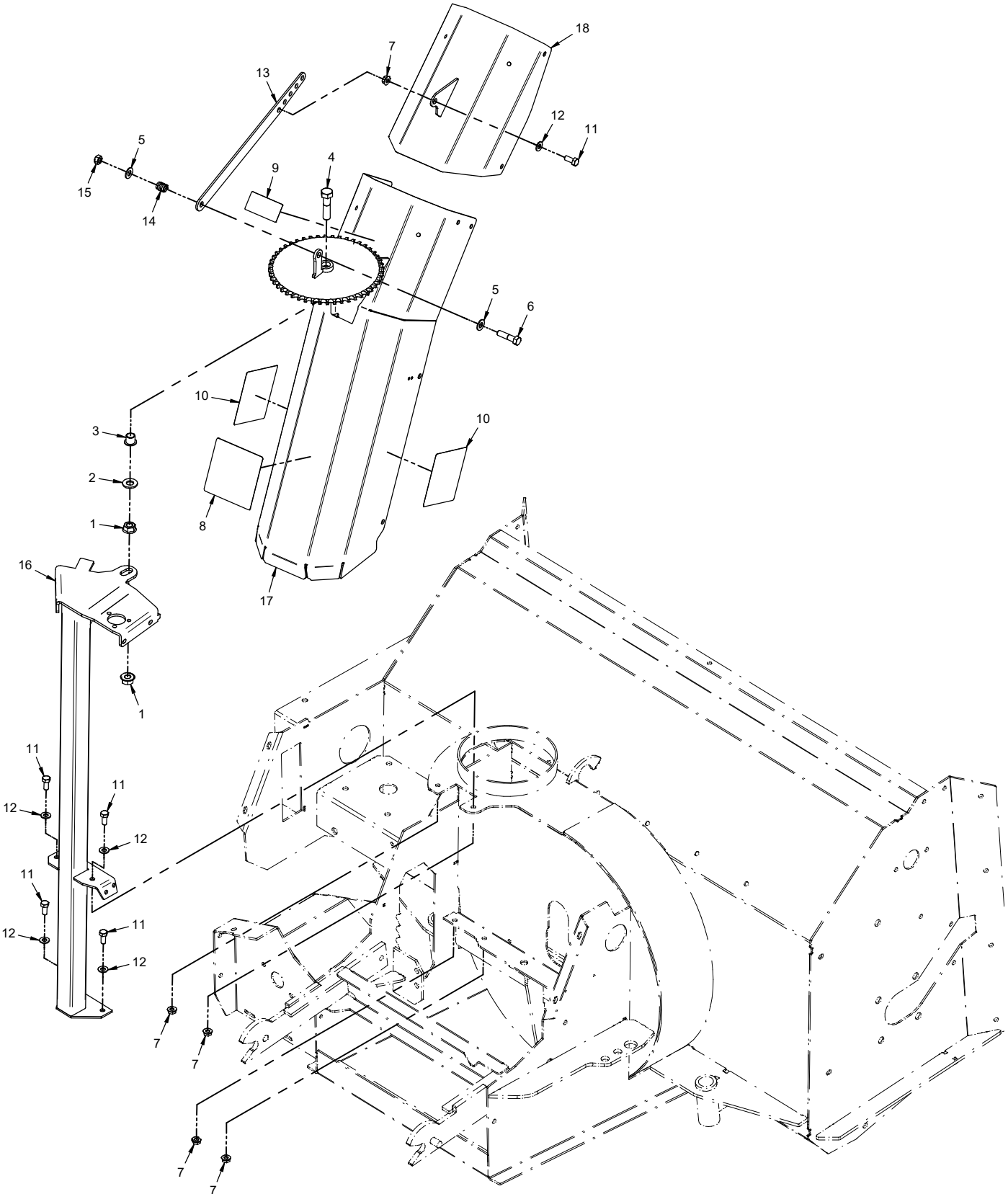
PARTS

Fan, Bearings, and Fan Shaft

REF.	PART NO.	DESCRIPTION	QTY.
1	64.1099	.Plate, Bearing Reinforcement	1
2	64.1671	.Mount, Rear Rotor Bearing	1
3	64.1249	.Shim, 12Ga Fan Bearing	as required
4	64.1466	.Shim, 20Ga Fan Bearing	as required
5	83.BK13023	.Pulley, 13" 1-7/16" Bore	1
6	99.SF08	.Nut, SRF 1/2-13 USS	4
7	95.08	.Washer, Flat 1/2 SAE	4
8	55.PB22023	.Bearing, Pillow Block 1-7/16	2
9	64.1100	.Bushing, Fan Spacer	1
10	80.0346	.Shaft, Snowblower Fan	1
11	99.B0031	.Washer, Mach 1-1/2 14Ga	as required
12	99.B0054	.Washer, Mach 1-1/2 10ga	as required
13	83.Q123	.Bushing, 1 7/16" Q1	1
14	85.K0610	.Key, 3/8 X 1-1/4	2
15	90.0816	.Bolt, 1/2-13 USS x 2	4
16	95.06	.Washer, Flat 3/8 SAE	4
17	90.0608	.Bolt, 3/8-16 USS x 1	4
18	99.SF06	.Nut, SRF 3/8-16 USS	4
19	90.0610	.Bolt, 3/8-16 USS x 1-1/4	3
20	29.GF0001	.Grease Ftg, 1/4 SAE ST	2
21	85.SS30	.Set Screw, 5/16-24 x 5/16"	2
22	85.SS09	.Set Screw, 5/16-18 x 3/8"	2
23	80.0344	.Blower, Fan	1

PARTS

ILLUSTRATED DRAWING Discharge Chute, Post, and Deflector Adjustment Link



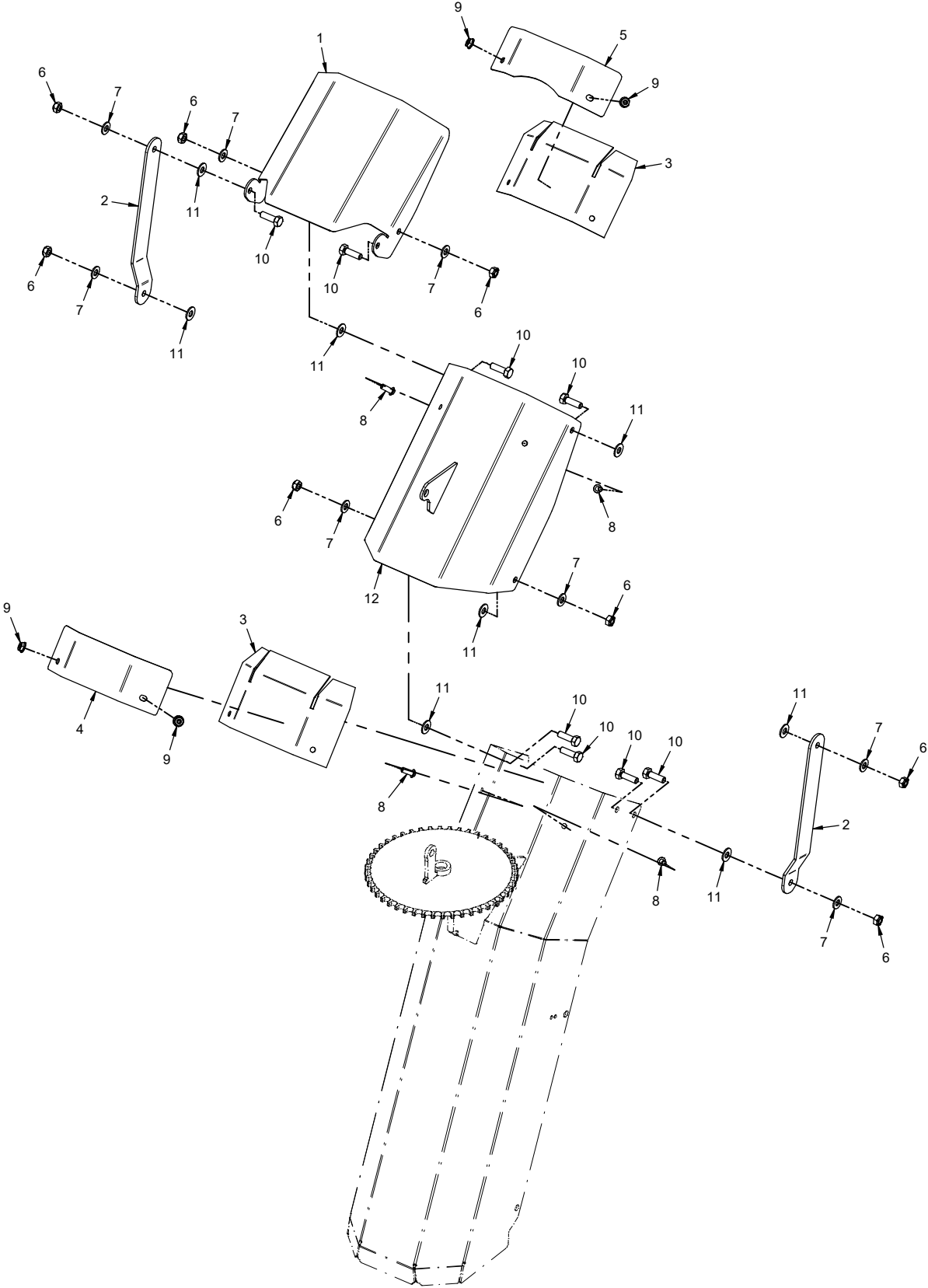
PARTS

Discharge Chute, Post, and Deflector Adjustment Link

REF.	PART NO.	DESCRIPTION	QTY.
1	99.SF08	Nut, SRF 1/2-13 USS	2
2	95.08	Washer, Flat 1/2 SAE	1
3	85.B0027	Bushing, 1/2 ID X 5/8 OD X 5/8	1
4	90.0816	Bolt, 1/2-13 USS x 2	1
5	95.06	Washer, Flat 3/8 SAE	2
6	90.0612	Bolt, 3/8-16 USS x 1-1/2	1
7	99.SF05	Nut, SRF 5/16-18 USS	5
8	00.0103	Decal, Hazard-High Press.Fluid (Serial # 01001-01544)	1
8	00.0621	Decal, High Pressure Fluid Hazard (Serial # 01545-)	1
9	00.0218	Decal, Warning Pinch Point (Serial # 01001-01544)	1
9	00.0364	Decal, Warning Pinch Point (Serial # 01545-)	1
10	00.0409	Decal, Discharge Chute Safety (Serial # 01001-01544)	2
10	00.0640	Decal, Discharge Chute Safety (Serial # 01545-)	2
11	90.0506	Bolt, 5/16-18 USS x 3/4"	5
12	95.05	Washer, Flat 5/16 SAE	5
13	42.0462	Link, Chute Deflector Adjust	1
14	41.0039	Spring, Comp. 9/16 OD X 5/8	1
15	99.A06	Locknut, Stover 3/8-16 USS	1
16	62.1280	Post, Chute Mount	1
17	62.0990	Chute, Main Blower Discharge	1
18	62.0991	Chute, Mid Discharge Section	1

PARTS

ILLUSTRATED DRAWING Discharge Chute Extensions



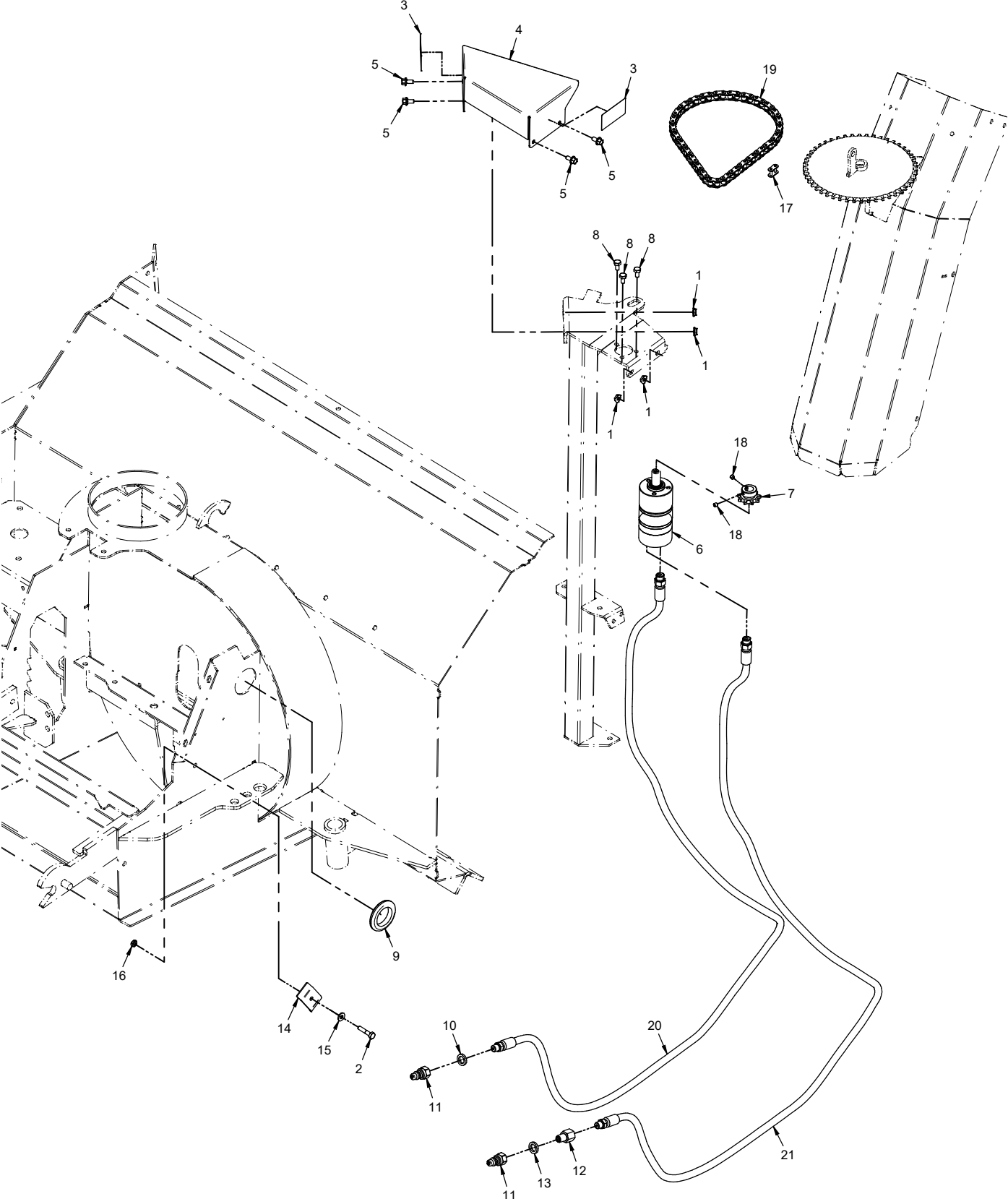
PARTS

Discharge Chute Extensions

REF.	PART NO.	DESCRIPTION	QTY.
1	62.0992	.Chute, Final Extension	1
2	42.0461	.Link, Chute Deflector Control	2
3	44.0272	.Plastic, Chute Liner	2
4	64.1484	.Clamp, Chute Liner Main	1
5	64.1485	.Clamp, Chute Liner Upper	1
6	99.A05	.Locknut, Stover 5/16-18 USS	8
7	95.05	.Washer, Flat 5/16 SAE	8
8	99.K0069	.Bolt, BSCS 1/4-20 x 5/8 SS	4
9	99.SF04-3	.Nut, SRF 1/4-20 USS Stainless	4
10	90.0508	.Bolt, 5/16-18 USS x 1	8
11	05.0055	.Washer, Nylon .34 x .74 x .062	8
12	62.0991	.Chute, Mid Discharge Section	1

PARTS

ILLUSTRATED DRAWING Discharge Chute Rotation Drive



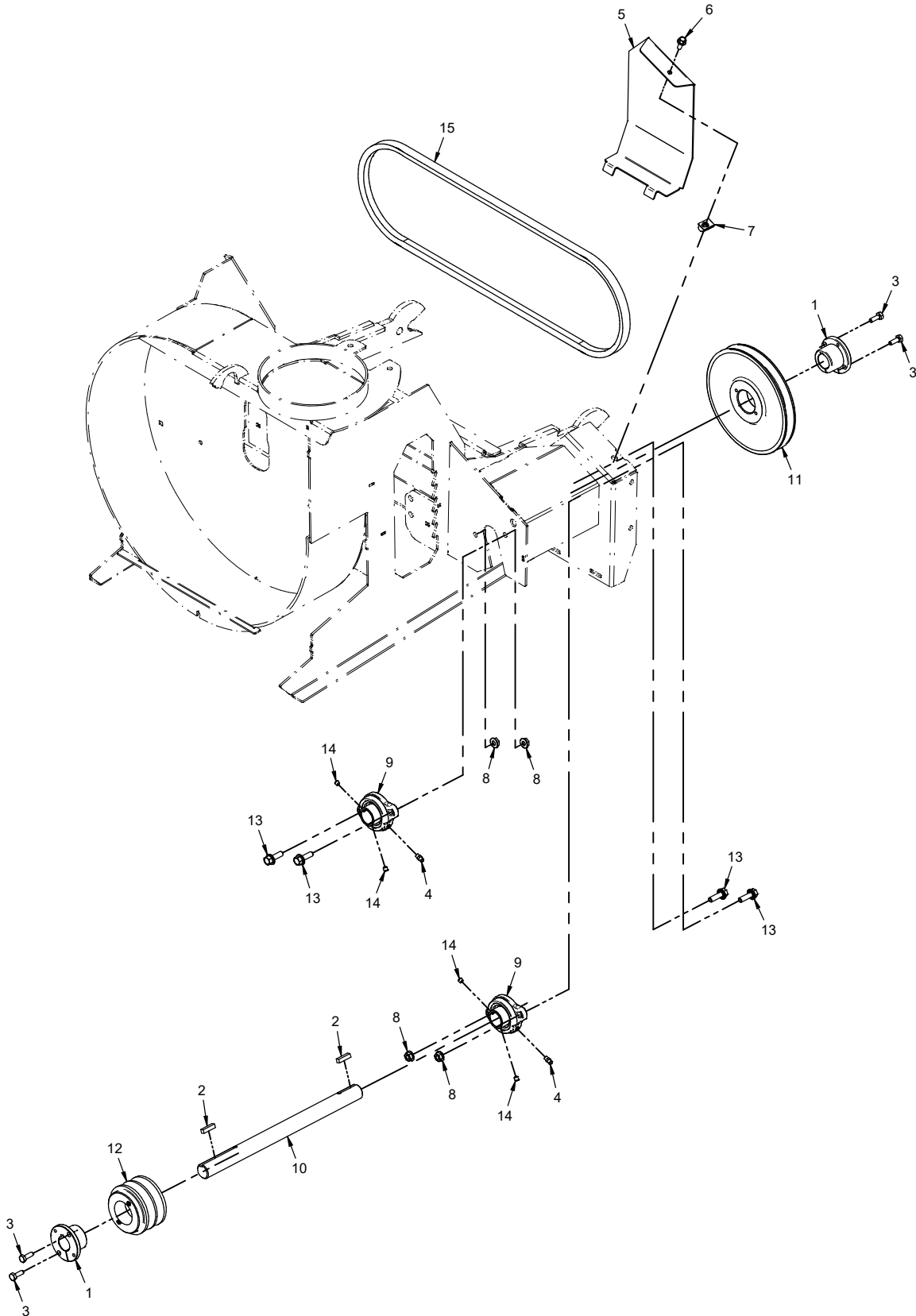
PARTS

Discharge Chute Rotation Drive

REF.	PART NO.	DESCRIPTION	QTY.
1	99.SF04	Nut, SRF 1/4-20 USS	4
2	90.0410	Bolt, 1/4-20 USS x 1/1-4"	1
3	00.0216	Decal, Warning Moving Parts (Serial # 01001-01544)	2
3	00.0631	Decal, Finger/Hand Entanglement (Serial # 01545-)	2
4	60.1013	Shield, Chute Rotation Motor	1
5	99.SF0404-1	Bolt, SMF 1/4-20 X 1/2	4
6	21.0113	Motor, Hyd 1.93 Cu.In.	1
7	83.H409	Sprocket, #40 9-T HRD 5/8 Bore	1
8	91.0404	Bolt, 1/4-28 SAE x 1/2	3
9	05.0040	Grommet, 1 1/2ID, 2-3/8OD, 3/32T	1
10	05.0117	Washer, .544 ID x .817 x .14 Yel	1
11	23.0104	Coupler, Quick Male 1/4	2
12	29.0092	Fitting, .025 Orifice 1/4 Pipe	1
13	05.0116	Washer, .544 ID x .817 x .14 Red	1
14	64.0673	Clamp, Hydraulic Hose	1
15	95.04	Washer, Flat 1/4 SAE	1
16	99.A04	Locknut, Stover 1/4-20 USS	1
17	81.0056-1	Link, Conn. #40 SS	1
18	85.SS19	Set Screw, 1/4-20 x 1/4"	2
19	81.0153	Chain, Roller #40 x 27-1/2" SS	1
20	20.0210	Hose, 1/4 x 78.00 SAE 100R17AR	1
21	20.0210	Hose, 1/4 x 78.00 SAE 100R17AR	1

PARTS

ILLUSTRATED DRAWING Drive Shaft and Attachment Belt



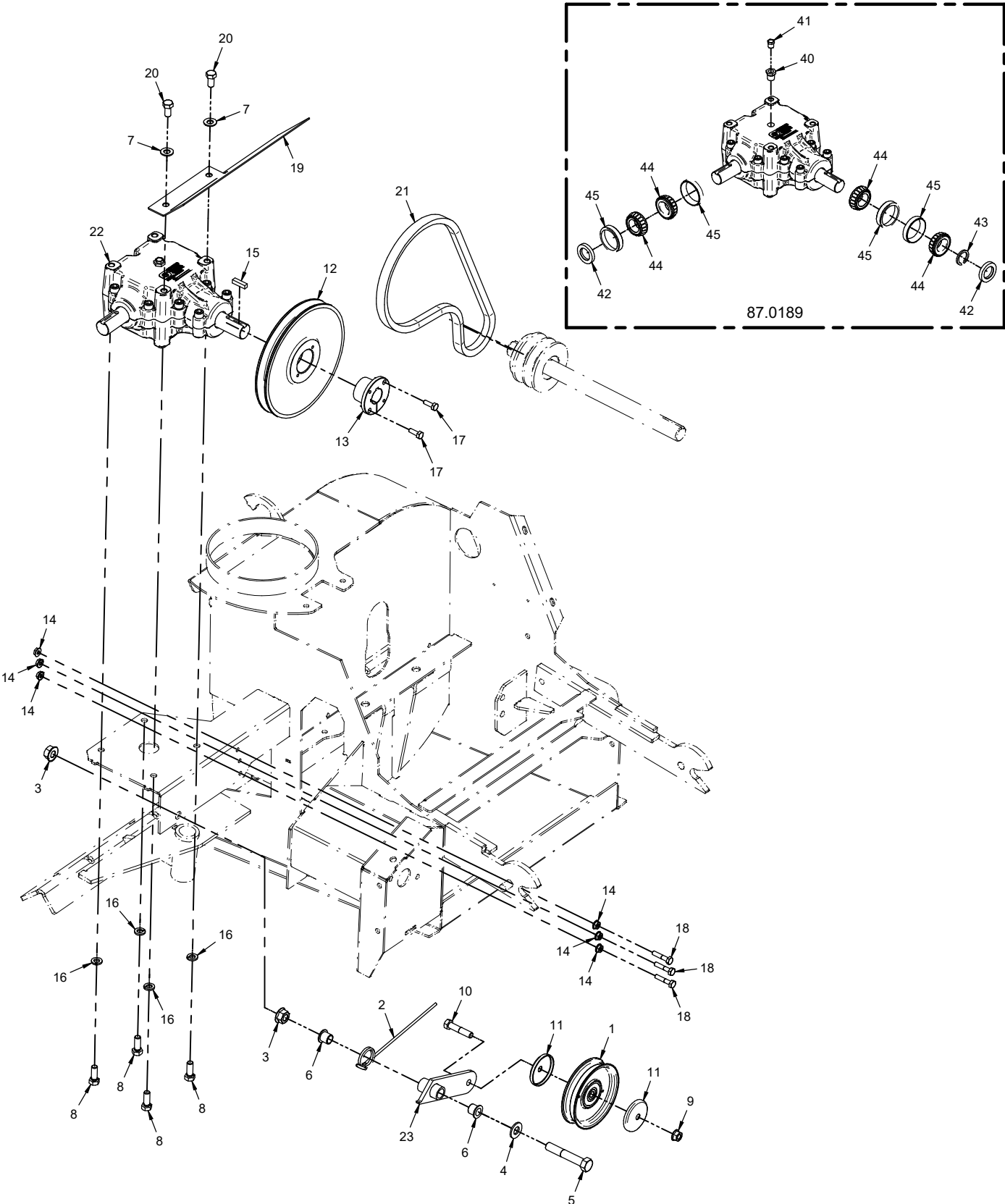
PARTS

Drive Shaft and Attachment Belt

REF.	PART NO.	DESCRIPTION	QTY.
1	83.H16S	.Bushing, 1" Split 1/4" Key	2
2	85.K0408	.Key, 1/4 X 1	2
3	90.0406	.Bolt, 1/4-20 USS x 3/4"	4
4	29.GF0001	.Grease Ftg, 1/4 SAE ST.	2
5	60.0869	.Shield, Drive Pulley Cover	1
6	99.SF0405-1	.Bolt, SMF 1/4-20 X 5/8	1
7	99.E0046	.Nut, "U" 1/4-20 Extruded	1
8	99.SF05	.Nut, SRF 5/16-18 USS	4
9	55.FB16016-1	.Bearing, Flange Block 1"	2
10	80.0345	.Shaft, Snowblower Drive	1
11	83.BK75H	.Pulley, 7.5" H-Bush	1
12	83.2BK32H	.Pulley, 2BK 3.2" H-Bush	1
13	99.SF0508	.Bolt, SRF 5/16-18 USS X 1	4
14	85.SS14	.Set Screw, 1/4-28 x 1/4	4
15	81.B050	.Belt, B50	1

PARTS

ILLUSTRATED DRAWING Gearbox and Gearbox Drive



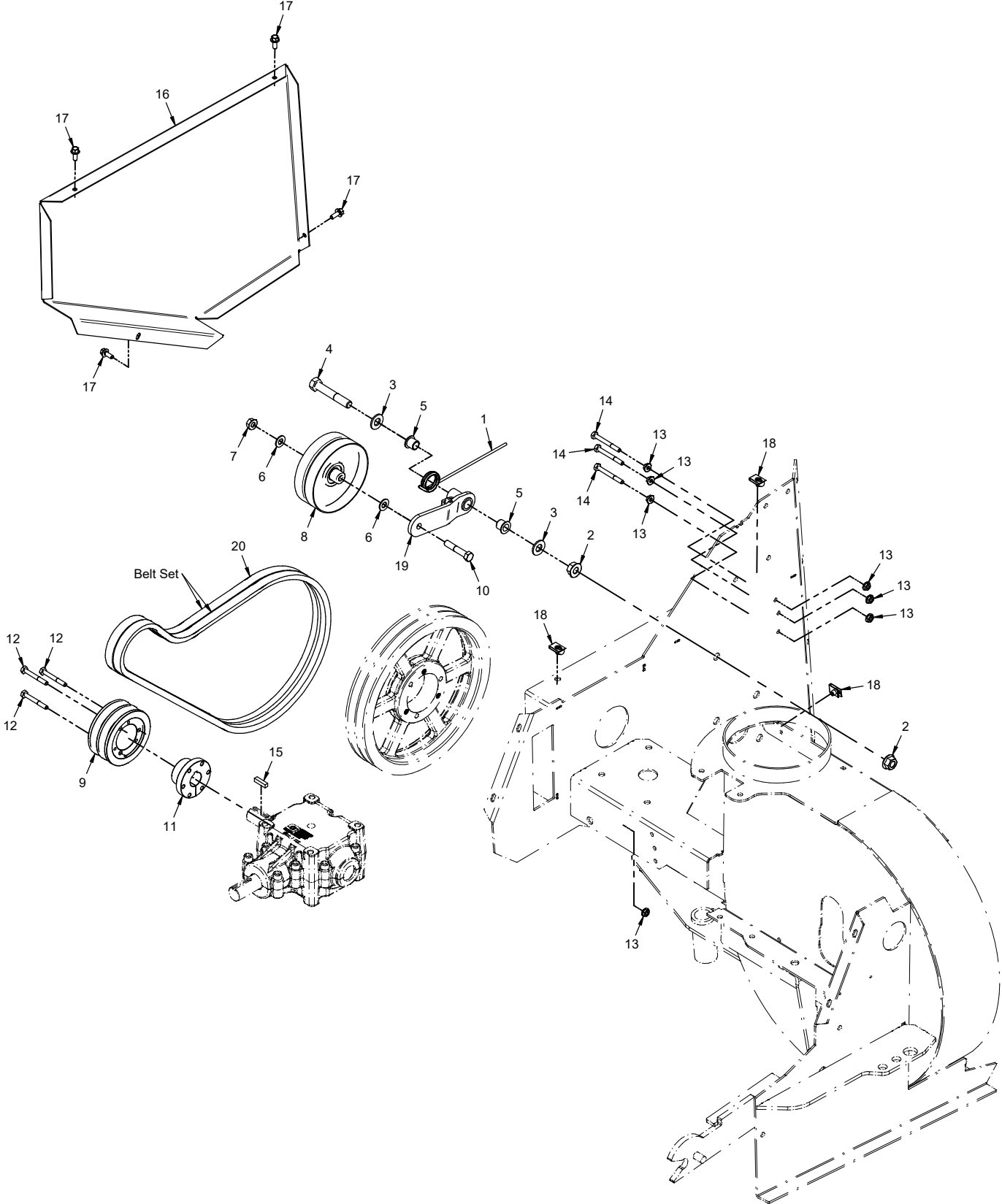
PARTS

Gearbox and Gearbox Drive

REF.	PART NO.	DESCRIPTION	QTY.
1	83.0037	.Pulley, Idler Flat 4" X 3/8	1
2	41.0066	.Spring, Single Torsion Lh	1
3	99.SF08	.Nut, SRF 1/2-13 USS	2
4	95.08	.Washer, Flat 1/2 SAE	1
5	90.0824	.Bolt, 1/2-13 USS x 3	1
6	85.B0027	.Bushing, 1/2 ID X 5/8 OD X 5/8	2
7	95.06	.Washer, Flat 3/8 SAE	2
8	90.0608	.Bolt, 3/8-16 USS x 1	4
9	99.SF06	.Nut, SRF 3/8-16 USS	1
10	90.0614	.Bolt, 3/8-16 USS x 1-3/4	1
11	60.1056	.Cover, Pulley	2
12	83.BK80H	.Pulley, 8" H-Bush	1
13	83.H16S-2	.Bushing, 1" Split 3/16 * & 1/4 Key	1
14	99.SF04	.Nut, SRF 1/4-20 USS	6
15	85.K0408	.Key, 1/4 X 1	1
16	96.06	.Washer, Lock 3/8	4
17	90.0406	.Bolt, 1/4-20 USS x 3/4"	2
18	90.0410	.Bolt, 1/4-20 USS x 1/1-4"	3
19	KX-1008	.Shield, Gearbox Final Drive	1
20	90.0606	.Bolt, 3/8-16 USS x 3/4	2
21	81.B034	.Belt, B34	1
22	87.0189	.Gearbox, 1" Shaft 2:1 CW/CCW	1
23	KX-6003	.Arm, Gear Box Belt Idler	1
40	29.B0204G	.Pipe, Bushing 1/8 x 1/4 Galv	1
41	29.0090	.Pipe, Breather Plug	1
42	89.0075	.Seal, Oil	2
43	04.0026	.Retaining Ring, Ext 1.000 Shft	1
44	55.0075	.Bearing, Cone 1.000	4
45	55.0076	.Bearing, Cup 1.980	4

PARTS

ILLUSTRATED DRAWING Auger Drive and Cover



PARTS

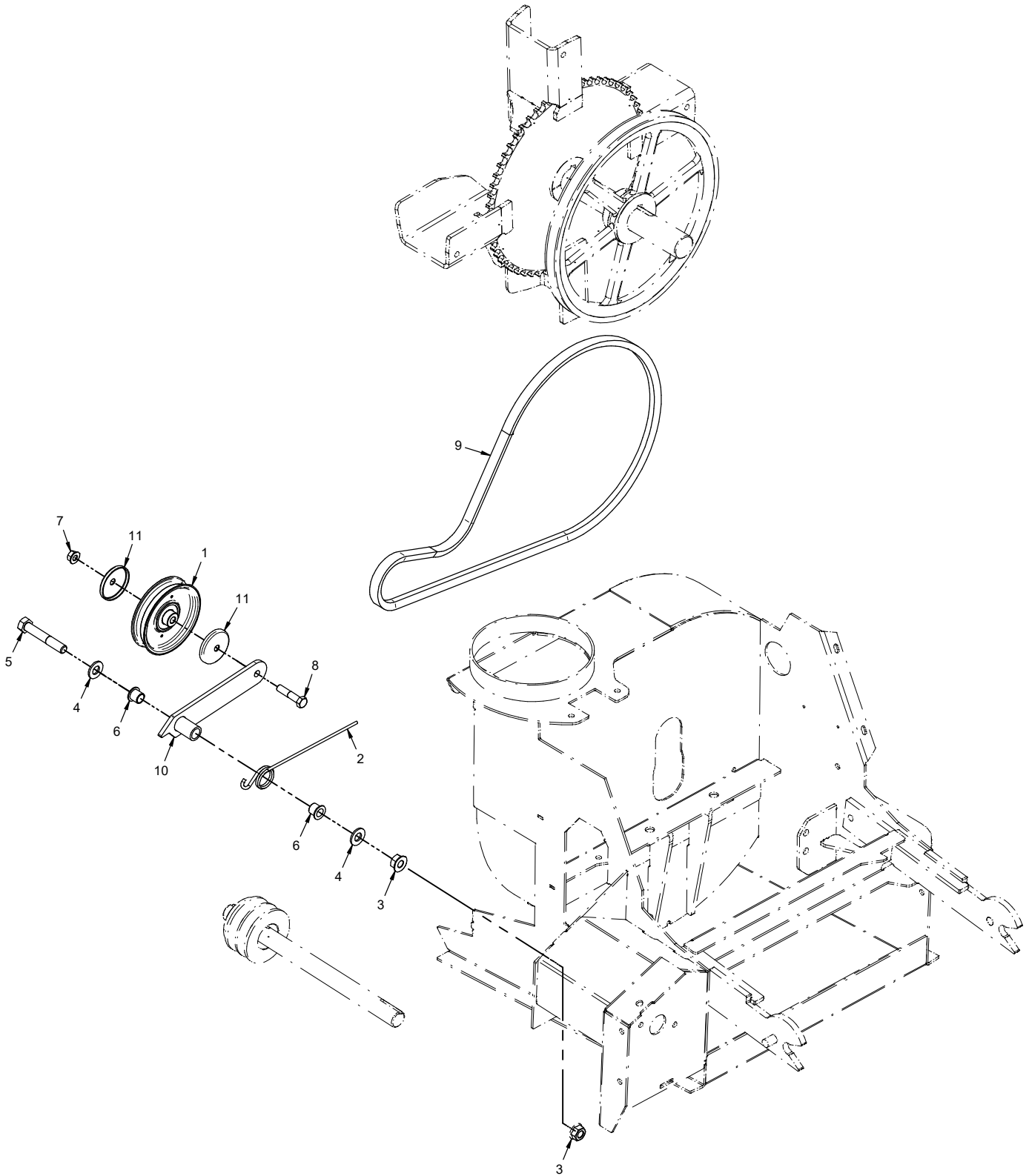
Auger Drive and Cover

REF.	PART NO.	DESCRIPTION	QTY.
1	41.0066	.Spring, Single Torsion Lh	1
2	99.SF08	.Nut, SRF 1/2-13 USS	2
3	95.08	.Washer, Flat 1/2 SAE	2
4	90.0824	.Bolt, 1/2-13 USS x 3	1
5	85.B0027	.Bushing, 1/2 ID X 5/8 OD X 5/8	2
6	95.06	.Washer, Flat 3/8 SAE	2
7	99.SF06	.Nut, SRF 3/8-16 USS	1
8	83.0040	.Pulley, Idler Flat 5" Plain	1
9	83.2B36SH	.Pulley, 2 B 3.6" 2-Groove	1
10	90.0616	.Bolt, 3/8-16 USS x 2	1
11	83.SH16	.Bushing, 1" SH	1
12	90.0416	.Bolt, 1/4-20 USS x 2	3
13	99.SF04	.Nut, SRF 1/4-20 USS	7
14	90.0418	.Bolt, 1/4-20 USS x 2-1/4	3
15	85.K0408	.Key, 1/4 X 1	1
16	60.0868	.Shield, Auger Drive Belt	1
17	99.SF0405-1	.Bolt, SMF 1/4-20 X 5/8	4
18	99.E0046	.Nut, "U" 1/4-20 Extruded	3
19	40.0314	.Arm, Auger Drive Belt Idler	1
20	81.B050-2	.Belt, B50 Matched Set (2)	1

PARTS

ILLUSTRATED DRAWING

Fan Drive



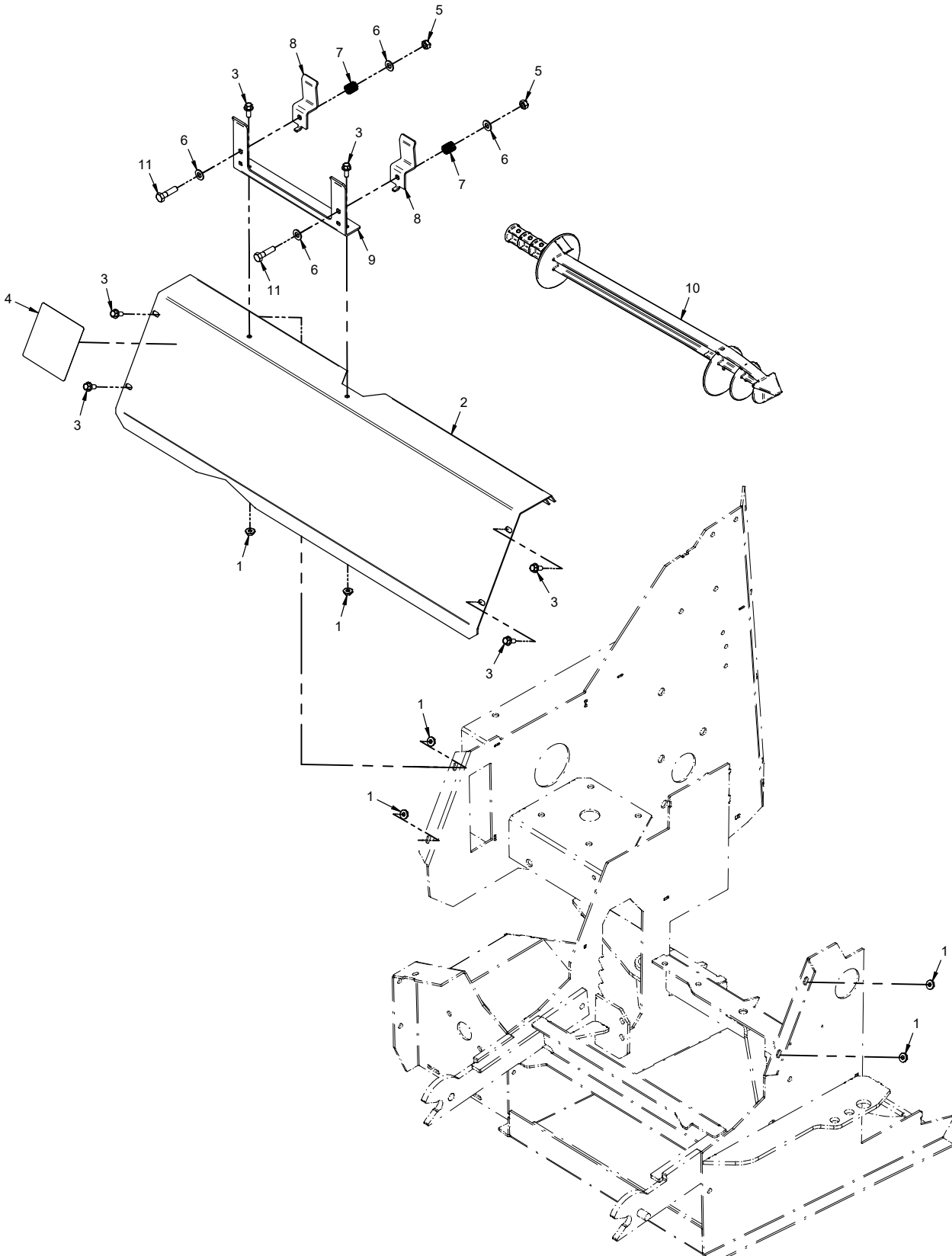
PARTS

Fan Drive

REF.	PART NO.	DESCRIPTION	QTY.
1	83.0037	.Pulley, Idler Flat 4" X 3/8	1
2	41.0066	.Spring, Single Torsion Lh	1
3	99.SF08	.Nut, SRF 1/2-13 USS	2
4	95.08	.Washer, Flat 1/2 SAE	2
5	90.0824	.Bolt, 1/2-13 USS x 3	1
6	85.B0027	.Bushing, 1/2 ID X 5/8 OD X 5/8	2
7	99.SF06	.Nut, SRF 3/8-16 USS	1
8	90.0614	.Bolt, 3/8-16 USS x 1-3/4	1
9	81.0157	.Belt, BX55	1
10	40.0313	.Arm, Fan Drive Idler	1
11	60.1056	.Cover, Pulley	2

PARTS

ILLUSTRATED DRAWING Main Drive Cover and Chute Cleaning Tool



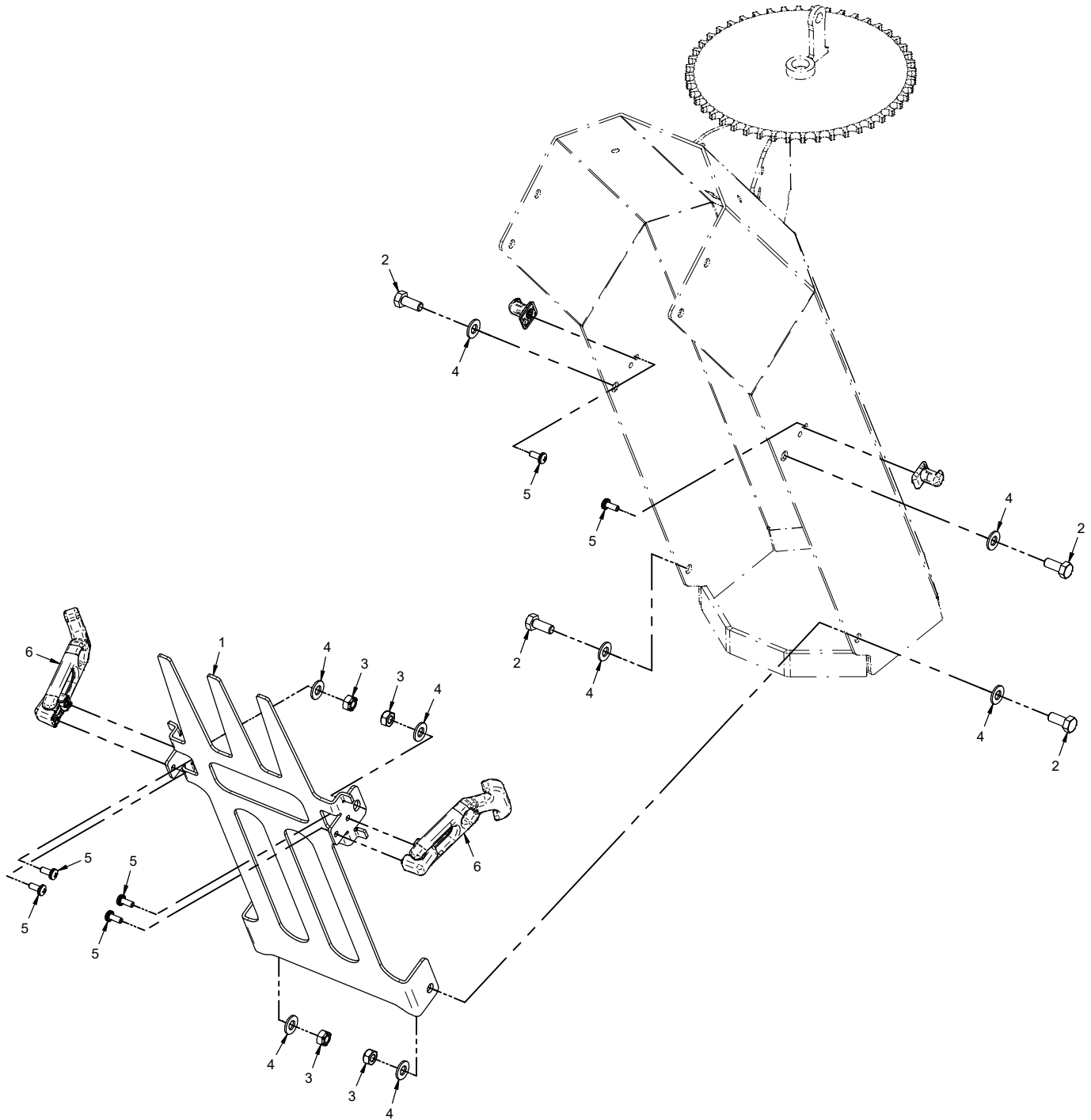
PARTS

Main Drive Cover and Chute Cleaning Tool

REF.	PART NO.	DESCRIPTION	QTY.
1	99.SF04	.Nut, SRF 1/4-20 USS	6
2	KX-1007	.Shield, Main Drive Cover	1
3	99.SF0405-1	.Bolt, SMF 1/4-20 X 5/8	6
4	00.0101	.Decal, Hazard-Moving Part (Serial # 01001-01544)	1
4	00.0626	.Decal, Entanglement Hazard (Serial # 01545-)	1
5	99.A05	.Locknut, Stover 5/16-18 USS	2
6	95.05	.Washer, Flat 5/16 SAE	4
7	41.0039	.Spring, Comp. 9/16 OD X 5/8	2
8	64.1482	.Bracket, Sno-Stik Detent	2
9	64.1481	.Bracket, Sno-Stik Mount	1
10	72.0023	.Tool, Chute Cleaning	1
11	90.0510	.Bolt, 5/16-18 USS x 1-1/4	2

PARTS

ILLUSTRATED DRAWING Discharge Chute Guard



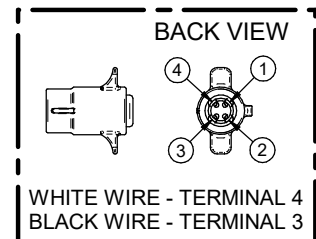
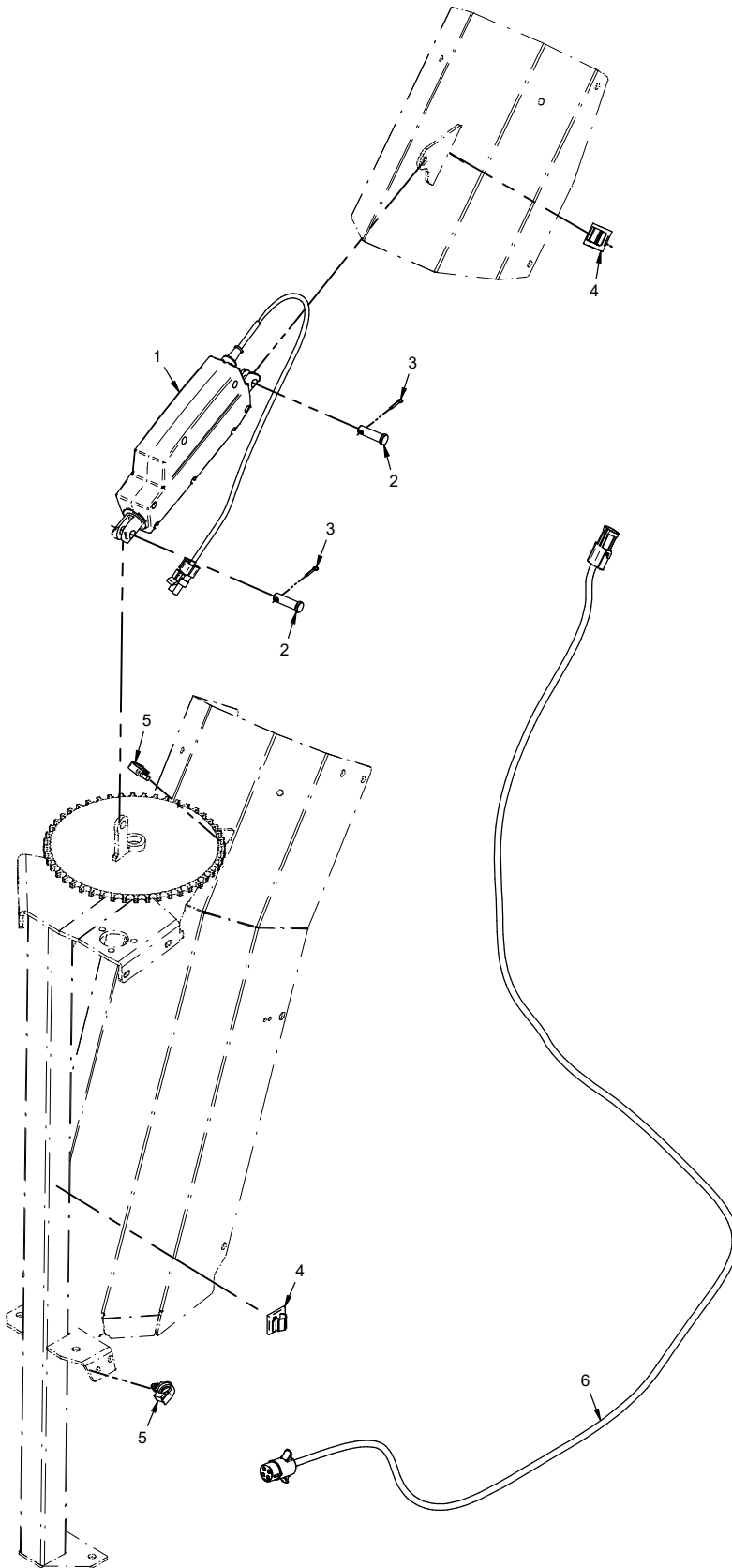
PARTS

Discharge Chute Guard

REF.	PART NO.	DESCRIPTION	QTY.
1	60.1060	.Guard, Chute Discharge	1
2	90.0506	.Bolt, 5/16-18 USS x 3/4"	4
3	99.A05	.Locknut, Stover 5/16-18 USS	4
4	95.05	.Washer, Flat 5/16 SAE	8
5	99.K0072	.Machine Screw, 10-24 X 1/2 ZP	6
6	47.0127	.Latch, Rubber Draw T-Handle	2

OPTIONS

ILLUSTRATED DRAWING 70.8025 12 Volt Actuator



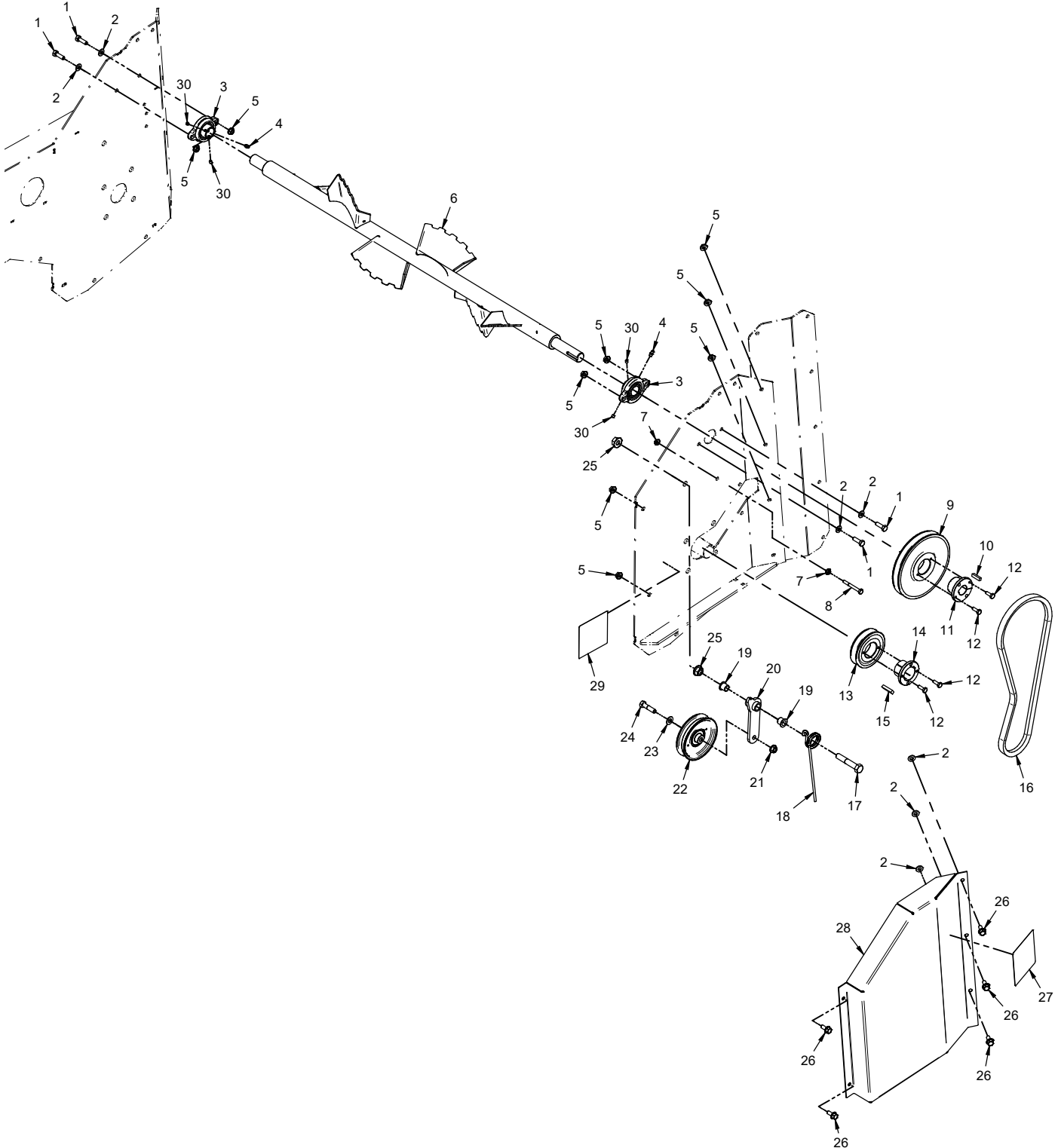
OPTIONS

70.8025 12 Volt Actuator

REF.	PART NO.	DESCRIPTION	QTY.
1	37.0049-1	.Actuator, Electric 12V	1
2	03.0610	.Clevis Pin, 3/8 X 1 1/4 Zp.	2
3	02.CP0306	.Cotter Pin, 3/32 X 3/4, Zinc	2
4	30.0226	.Clamp, Wire Mt Adh. 3/8 Gray	2
5	30.0135	.Clamp, Loom 3/8 Rosebud Mount	2
6	32.0074	.Harness, 12V Actuator HB/KX	1

OPTIONS

ILLUSTRATED DRAWING 70.8219 Deep Snow Auger Kit



OPTIONS

70.8219 Deep Snow Auger Kit

REF.	PART NO.	DESCRIPTION	QTY.
1	90.0508	.Bolt, 5/16-18 USS x 1	4
2	95.05	.Washer, Flat 5/16 SAE	7
3	55.FB16016-1	.Bearing, Flange Block 1"	2
4	29.GF0001	.Grease Ftg, 1/4 SAE ST	2
5	99.SF05	.Nut, SRF 5/16-18 USS	9
6	KX-6002	.Auger, Top KX480	1
7	99.SF04	.Nut, SRF 1/4-20 USS	2
8	90.0418	.Bolt, 1/4-20 USS x 2-1/4	1
9	83.BK70H	.Pulley, 7" H-Bushing	1
10	85.K0408	.Key, 1/4 X 1	1
11	83.H16S	.Bushing, 1" Split 1/4" Key	1
12	90.0406	.Bolt, 1/4-20 USS x 3/4"	4
13	83.BK36H	.Pulley, 3.6" H-Bushing	1
14	83.H23	.Bushing, 1 7/16" H	1
15	85.K060410	.Key, 3/8 x 1/4 x 1-1/4	1
16	81.B040	.Belt, B40	1
17	90.0822	.Bolt, 1/2-13 USS x 2-3/4	1
18	41.0083	.Spring, Torsion Rh 1-3/16 Idx7	1
19	85.B0027	.Bushing, 1/2 ID X 5/8 OD X 5/8	2
20	40.0348	.Arm, Top Auger Drive BLT Idler	1
21	99.SF06	.Nut, SRF 3/8-16 USS	1
22	83.0037	.Pulley, Idler Flat 4" X 3/8	1
23	95.06	.Washer, Flat 3/8 SAE	1
24	90.0612	.Bolt, 3/8-16 USS x 1-1/2	1
25	99.SF08	.Nut, SRF 1/2-13 USS	2
26	99.SF0506	.Bolt, SRF 5/16-18 USS X 3/4	5
27	00.0208	.Decal, Danger Auger Hazard (Serial # 01001-01544)	1
27	00.0630	.Decal, Entanglement Hazard (Serial # 01545-)	1
28	60.0990	.Shield, Top Auger Drive Belt	1
29	00.0062	.Decal, Danger Shield Missing (Serial # 01001-01544)	1
29	00.0625	.Decal, Shield Missing (Serial # 01545-)	1
30	85.SS14	.Set Screw, 1/4-28 x 1/4	4