

Parts Manual

# MK960

Wide Area Mower



Revised 09/05/23  
09.20036 Rev. 03



500 Venture Drive  
Orrville Oh 44667  
www.ventrac.com

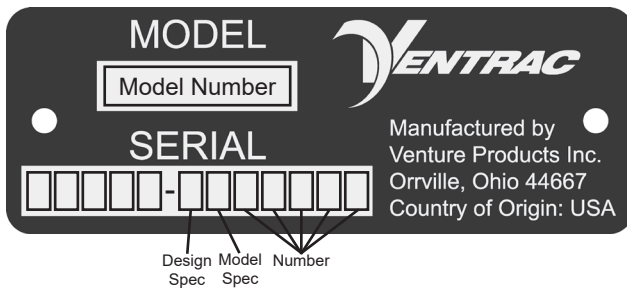
[View all manuals](#)



Visit [ventrac.com/manuals](http://ventrac.com/manuals) for the latest version of this parts manual.

A downloadable operator's manual is also available.

### Serial Number Description



### Notes

- If any component requires replacement, use only original Ventrac replacement parts.
- When ordering new components, be sure to order all required safety decals. All current safety decals must be affixed to the replacement components prior to installation of the component.

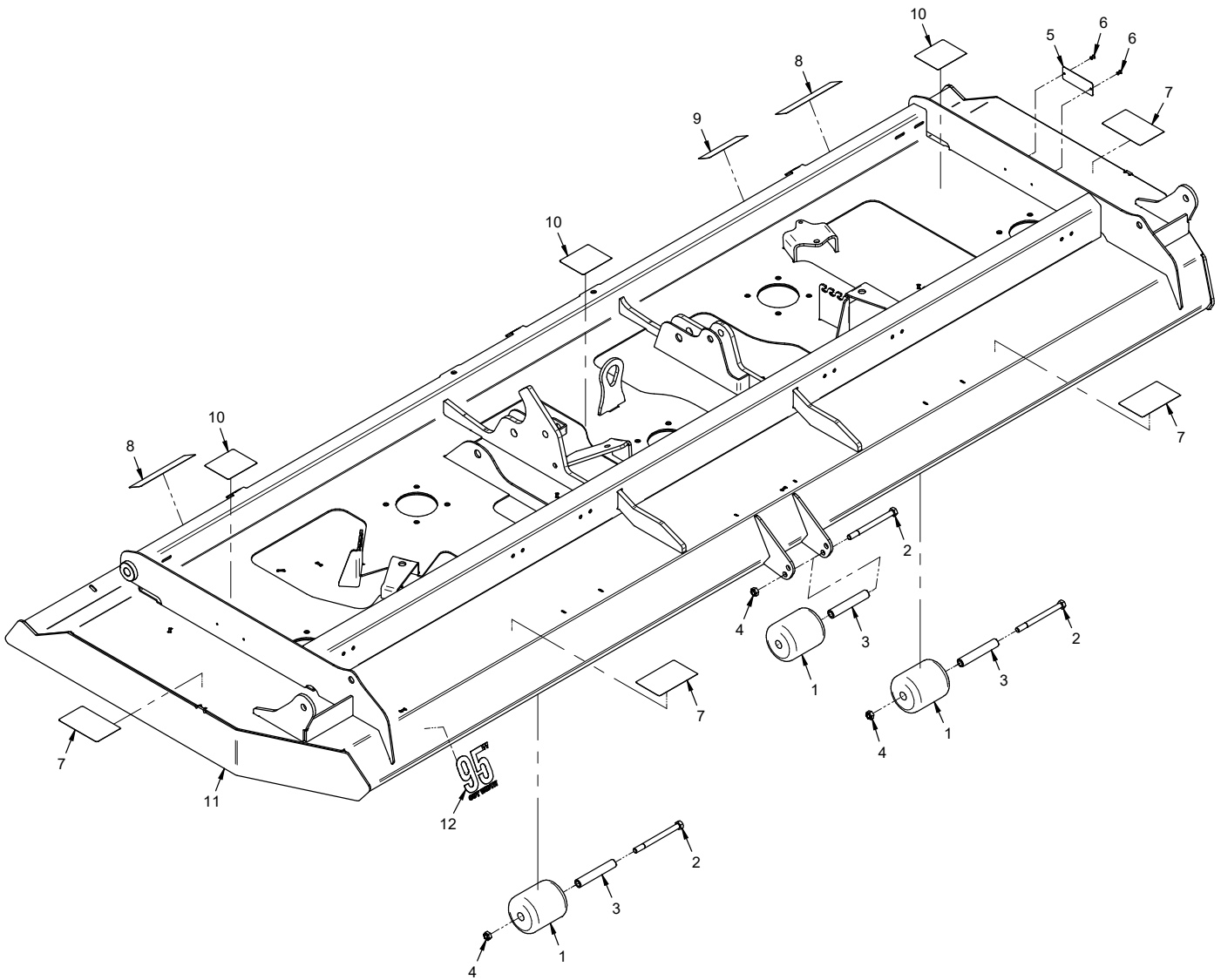
# TABLE OF CONTENTS

---

<b>PARTS</b>	<b>PAGE 4</b>
Main Frame & Front Anti-Scalp Rollers.....	4
Carrier Frames & Wheels.....	6
Wheel Components.....	8
Right Carrier Rockers & Link.....	10
Left Carrier Rockers & Link.....	12
Rear Roller.....	14
Rear Discharge Belting & End Guards.....	16
Hitch Arms.....	18
Drive Shaft & Attachment Belt.....	20
Main Deck Belt, Pulleys, & Belt Tensioner.....	22
Single Spindle Belts, Pulleys, & Tensioners.....	24
Spindles & Blades.....	26
Top Deck Covers.....	28
70.8203 Hydraulic Flip Up Kit.....	30

# PARTS

## ILLUSTRATED DRAWING Main Frame & Front Anti-Scalp Rollers



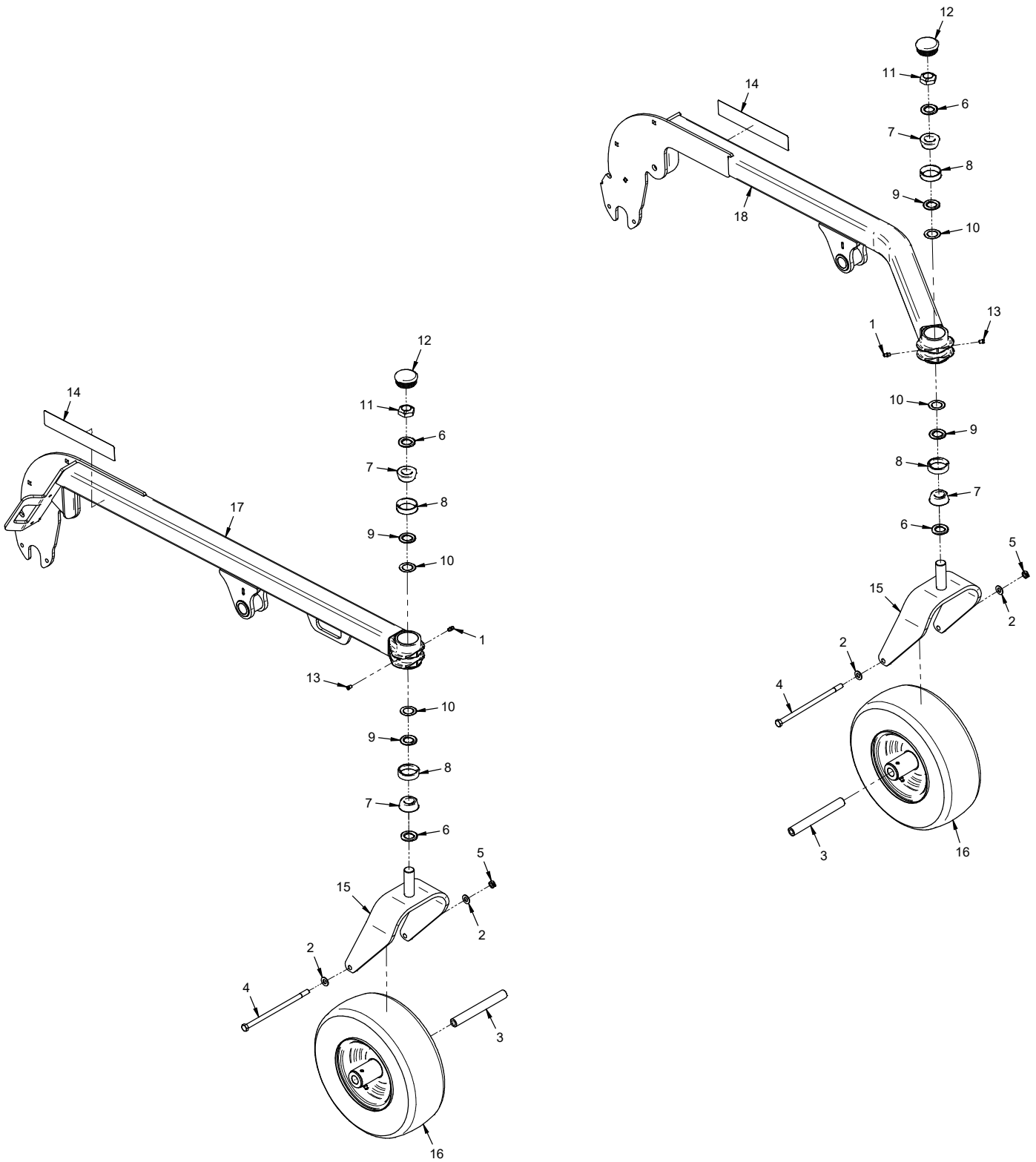
# PARTS

## Main Frame & Front Anti-Scalp Rollers

REF.	PART NO.	DESCRIPTION	QTY.
1	50.0047	.Roller, Front 3" Dia X 3-1/2"	3
2	90.0636	.Bolt, 3/8-16 USS x 4-1/2	3
3	50.0046	.Tube, Axle Front Roller	3
4	99.A06	.Locknut, Stover 3/8-16 USS	3
5	N/A	.Plate, Ventrac Serial Number	1
6	04.0029	.Rivet, Pop 1/8" X 1/4" SS	2
7	00.0123	.Decal, Keep Hands & Feet Clear (Serial # 01001-01460)	4
7	00.0628	.Decal, Cutting Hazard Mower Blade (Serial # 01461-)	4
8	00.0265	.Decal, Thrown Object Hazard (Serial # 01001-01460)	2
8	00.0633	.Decal, Thrown Object Hazard (Serial # 01461-)	2
9	00.0594	.Decal, Danger Pinching Hazard (Serial # 01001-01460)	1
9	00.0620	.Decal, Pinching or Crushing Hazard (Serial # 01461-)	1
10	00.0492	.Decal, Shield Missing (Serial # 01001-01460)	3
10	00.0625	.Decal, Shield Missing (Serial # 01461-)	3
11	MK-6001	.Frame, Deck Weldment MK960	1
12	00.0610	.Decal, 95" Cut Width	1

# PARTS

## ILLUSTRATED DRAWING Carrier Frames & Wheels



# PARTS

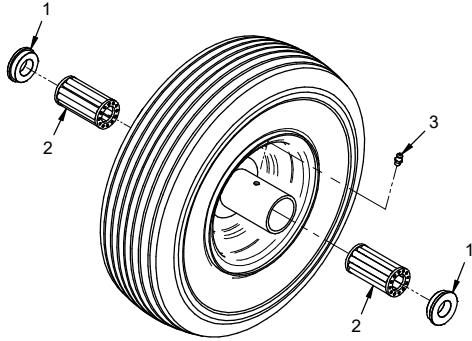
## Carrier Frames & Wheels

REF.	PART NO.	DESCRIPTION	QTY.
1	29.GF0001	.Grease Ftg, 1/4 SAE ST.	2
2	95.06	.Washer, Flat 3/8 SAE	4
3	50.0050	.Tube, Swivel Axle	2
4	90.0660	.Bolt, 3/8-16 USS x 7-1/2.	2
5	99.A06C	.Locknut, Center 3/8-16.	2
6	99.B0119	.Washer, Mach 7/8 x 1-3/8 x 10 GA.	4
7	55.LM12749LA2	.Bearing, Taper Roller Cone	4
8	55.LM12710	.Bearing, Cup.	4
9	85.B0099	.Bushing, .875ID x 1.375OD x .120T.	4
10	85.B0101	.Bushing, .005 Spacer	4
11	99.M0047	.Locknut, Stover M22 X 1.5 ZP	2
12	05.0172	.Plug, Ribbed Black LDPE.	2
13	29.GF0011	.Grease Ftg, Plug 1/4-28	2
14	00.0577	.Decal, Cut Height Position Key	2
15	50.0195	.Yoke, Caster 13" Wheel	2
16	53.0155	.Wheel, Asm 13 x 5 x 6 Caster (Serial # 01001-01676)	2
16	53.0148	.Wheel, Asm 13x5x6 Rib Flatfree (Optional - white rim)	2
16	53.0216	.Wheel, Asm 13 x 5 x 6 Caster (Serial # 01677-01712)	2
16	53.0213	.Wheel, Asm 13 x 5 x 6 Caster (Serial # 01713-)	2
16	53.0214	.Wheel, Asm 13x5x6 Flatfree (Optional - black rim)	2
17	MK-6002	.Frame, Carrier Right.	1
18	MK-6003	.Frame, Carrier Left.	1

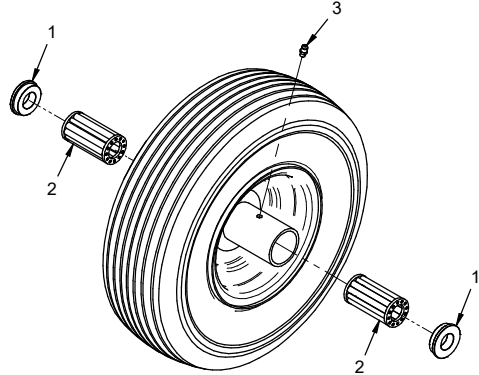
# PARTS

## ILLUSTRATED DRAWING Wheel Components

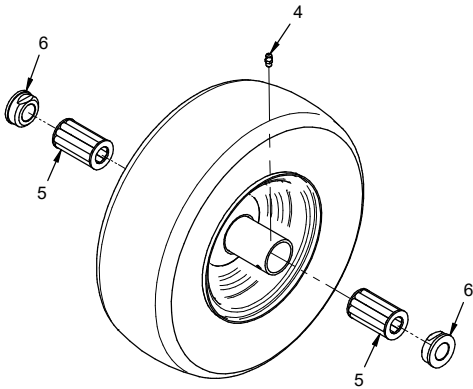
53.0155 - Standard White Rim (Serial # 01001-01676)



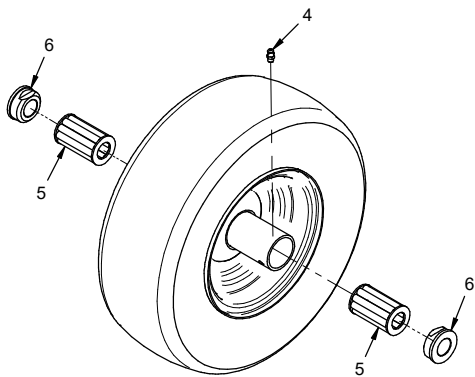
53.0148 - Optional Flatfree White Rim



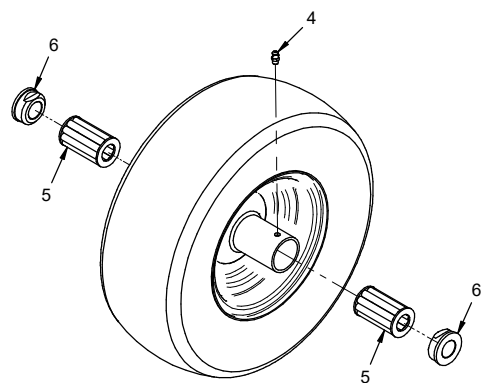
53.0216 - Standard White Rim (Serial # 01677-01712)



53.0213 - Standard Black Rim (Serial # 01713-)



53.0214 - Optional Flatfree Black Rim





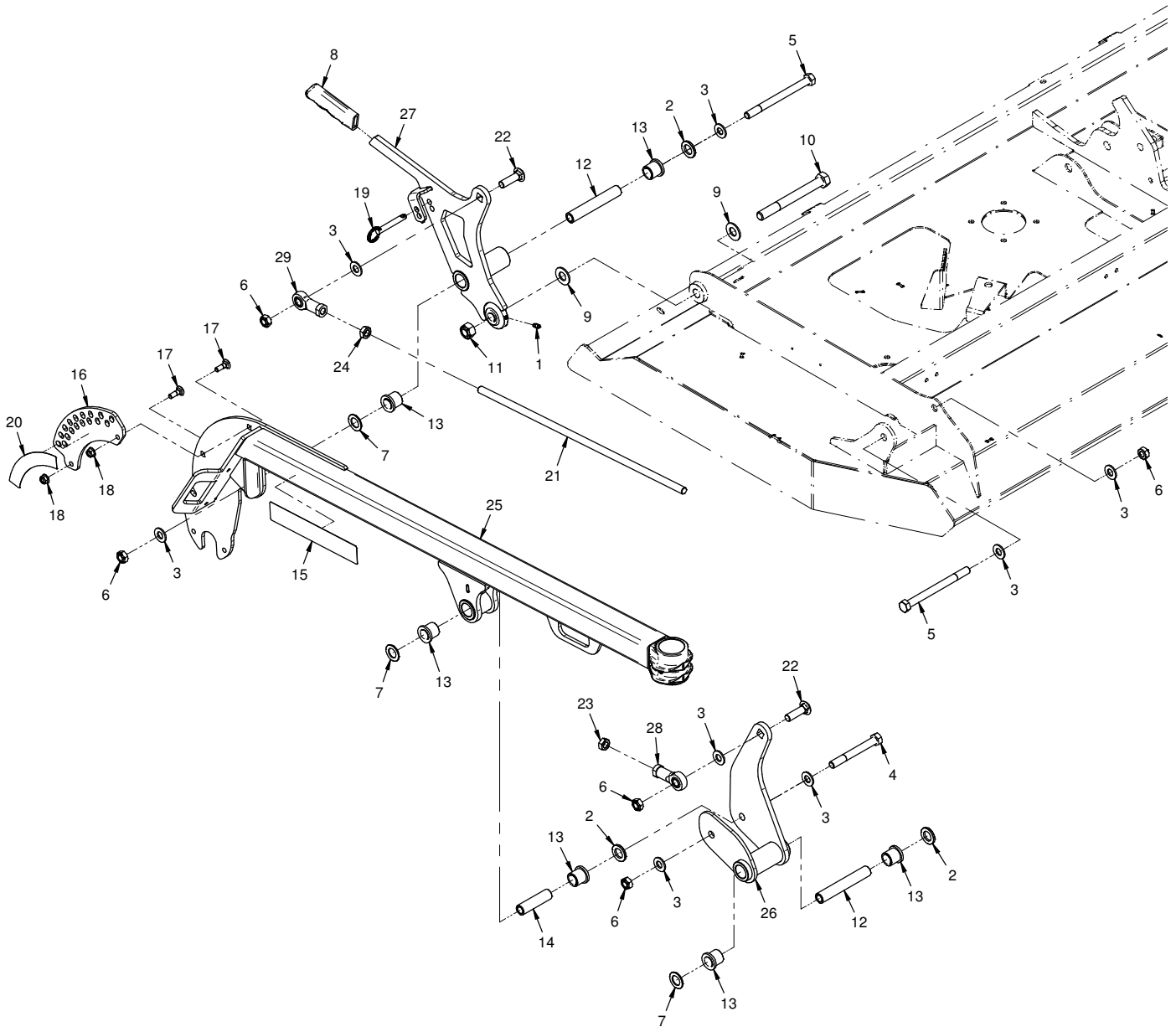
# PARTS

## Wheel Components

REF.	PART NO.	DESCRIPTION	QTY.
1	55.0072	Bearing, Retainer 3/4"	2
2	55.0088	Bearing, Roller Replacement	2
3	29.GF0001	Grease Ftg, 1/4 SAE ST.	1
4	29.GF0001	Grease Ftg, 1/4 SAE ST.	1
5	55.0116	Bearing, Roller 2.25" Long	2
6	55.0114	Retainer, Roller Bearing 3/4"	2

# PARTS

## ILLUSTRATED DRAWING Right Carrier Rockers & Link



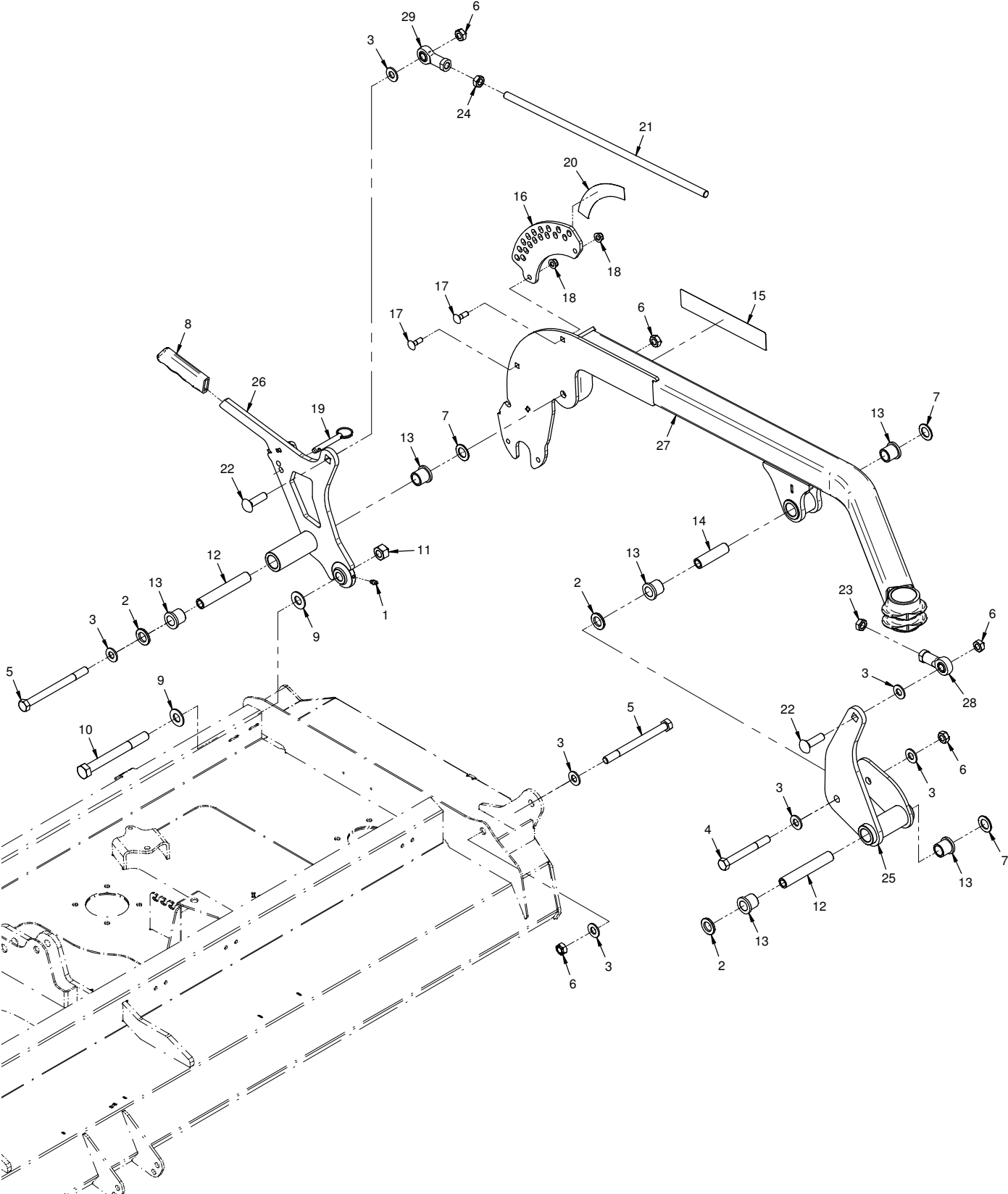
# PARTS

## Right Carrier Rockers & Link

REF.	PART NO.	DESCRIPTION	QTY.
1	29.GF0001	.Grease Ftg, 1/4 SAE ST.	1
2	99.B0057-2	.Washer, Mach 3/4 x 1-1/4 10 GA ZP	3
3	95.08	.Washer, Flat 1/2 SAE	8
4	90.0834	.Bolt, 1/2-13 USS x 4-1/4	1
5	90.0848	.Bolt, 1/2-13 USS x 6	2
6	99.A08	.Locknut, Stover 1/2-13 USS	5
7	99.B0089	.Washer, Mach 3/4 x 1-1/4 14 GA	3
8	47.0476	.Grip, Handle Black Vinyl	1
9	95.10	.Washer, Flat 5/8 SAE	2
10	90.1048	.Bolt, 5/8-11 USS x 6	1
11	99.A10	.Locknut, Stover 5/8-11 USS	1
12	MK-1150	.Bushing, Pivot Clamp	2
13	85.B0077	.Bushing, 3/4 ID X 1 OD X 1	6
14	MK-1146	.Bushing, Rocker Pivot	1
15	00.0577	.Decal, Cut Height Position Key	1
16	MK-1152	.Plate, Height Adjust	1
17	97.0508	.Bolt, Carriage 5/16-18 x 1	2
18	99.E0102	.Nut, Locking Flange 5/16-18	2
19	03.0002	.Pin, Ball 3/8 x 2" W/ Ring Grip	1
20	00.0576	.Decal, Height Adjust Right	1
21	42.0601	.Rod, Thread 1/2-20 x 20.0 RH/LH ZP	1
22	97.0814	.Bolt, Carriage 1/2-13 x 1-3/4	2
23	99.E0079	.Nut, Jam 1/2-20 RH ZP	1
24	99.E0080	.Nut, Jam 1/2-20 LH ZP	1
25	MK-6002	.Frame, Carrier Right	1
26	MK-6023	.Rocker, Right Front	1
27	MK-6029	.Rocker, Right Rear	1
28	43.008	.Rod End, 1/2 Spherical	1
29	43.008L	.Rod End, 1/2 Spherical LH Thrd	1

# PARTS

## ILLUSTRATED DRAWING Left Carrier Rockers & Link



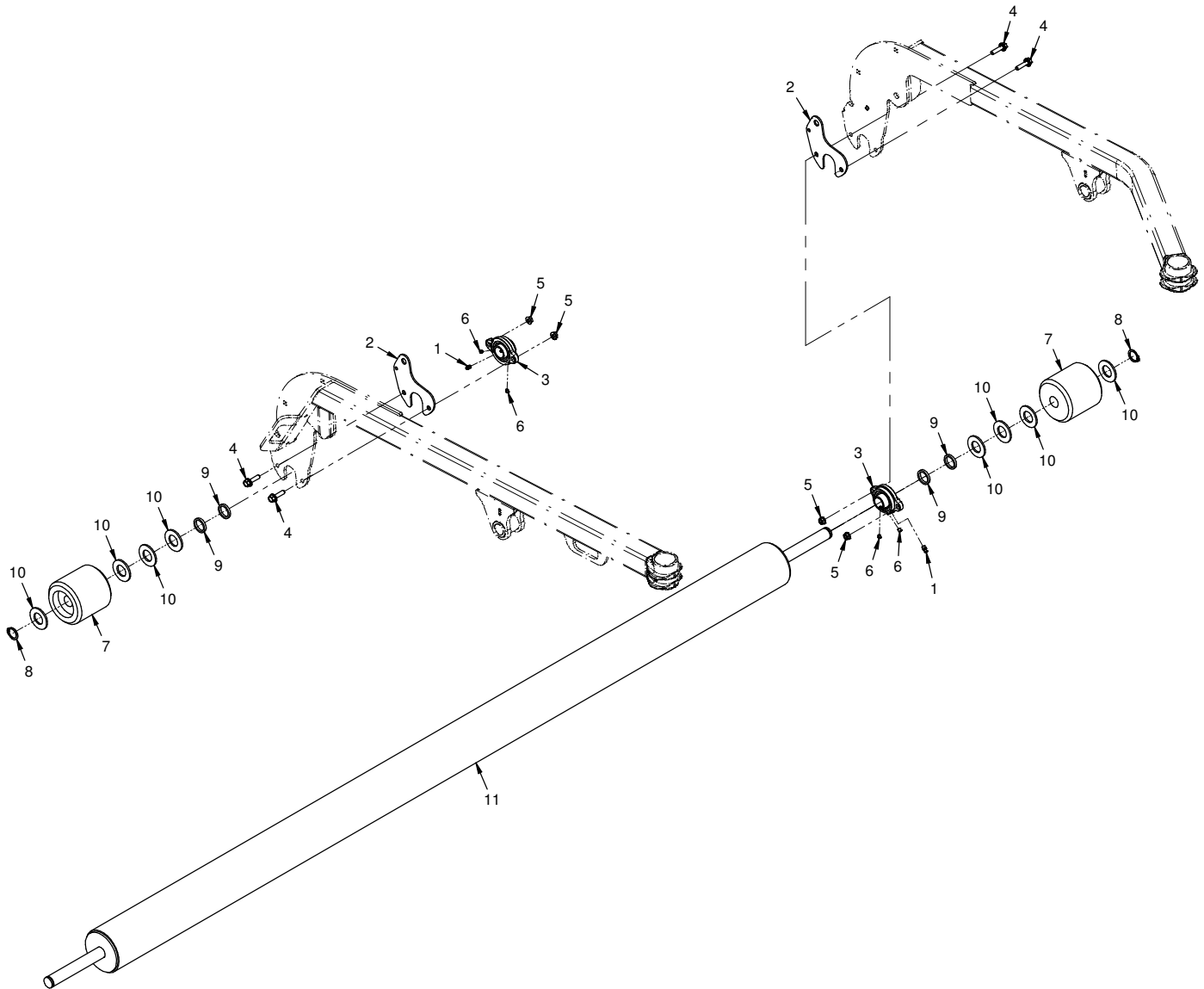
# PARTS

## Left Carrier Rockers & Link

REF.	PART NO.	DESCRIPTION	QTY.
1	29.GF0001	.Grease Ftg, 1/4 SAE ST.	1
2	99.B0057-2	.Washer, Mach 3/4 x 1-1/4 10 GA ZP	3
3	95.08	.Washer, Flat 1/2 SAE	7
4	90.0834	.Bolt, 1/2-13 USS x 4-1/4	1
5	90.0848	.Bolt, 1/2-13 USS x 6	2
6	99.A08	.Locknut, Stover 1/2-13 USS	5
7	99.B0089	.Washer, Mach 3/4 x 1-1/4 14 GA	3
8	47.0476	.Grip, Handle Black Vinyl	1
9	95.10	.Washer, Flat 5/8 SAE	2
10	90.1048	.Bolt, 5/8-11 USS x 6	1
11	99.A10	.Locknut, Stover 5/8-11 USS	1
12	MK-1150	.Bushing, Pivot Clamp	2
13	85.B0077	.Bushing, 3/4 ID X 1 OD X 1	6
14	MK-1146	.Bushing, Rocker Pivot	1
15	00.0577	.Decal, Cut Height Position Key	1
16	MK-1152	.Plate, Height Adjust	1
17	97.0508	.Bolt, Carriage 5/16-18 x 1	2
18	99.E0102	.Nut, Locking Flange 5/16-18	2
19	03.0002	.Pin, Ball 3/8 x 2" W/ Ring Grip	1
20	00.0575	.Decal, Height Adjust Left	1
21	42.0601	.Rod, Thread 1/2-20 x 20.0 RH/LH ZP	1
22	97.0814	.Bolt, Carriage 1/2-13 x 1-3/4	2
23	99.E0079	.Nut, Jam 1/2-20 RH ZP	1
24	99.E0080	.Nut, Jam 1/2-20 LH ZP	1
25	MK-6026	.Rocker, Left Front	1
26	MK-6031	.Rocker, Left Rear	1
27	MK-6003	.Frame, Carrier Left	1
28	43.008	.Rod End, 1/2 Spherical	1
29	43.008L	.Rod End, 1/2 Spherical LH Thrd	1

# PARTS

## ILLUSTRATED DRAWING Rear Roller



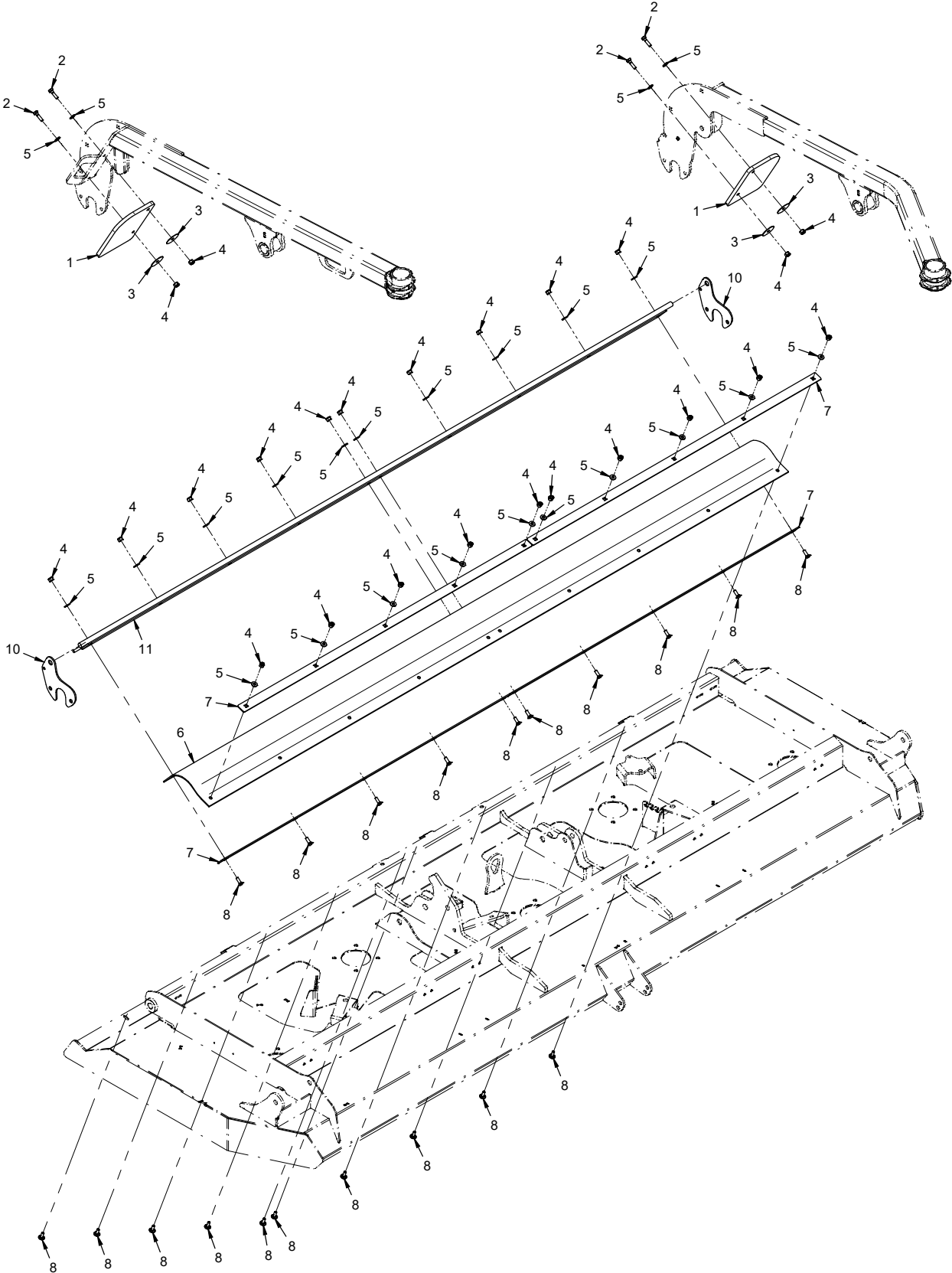
# PARTS

## Rear Roller

REF.	PART NO.	DESCRIPTION	QTY.
1	29.GF0001	.Grease Ftg, 1/4 SAE ST.	2
2	MK-1273	.Plate, Rear Chute Bar Mounting.	2
3	55.FB16016-2	.Bearing, 2 Bolt Flange 1"	2
4	99.SF0510	.Bolt, SRF 5/16-18 USS X 1-1/4	4
5	99.SF05	.Nut, SRF 5/16-18 USS	4
6	85.SS14	.Set Screw, 1/4-28 x 1/4	4
7	50.0044	.Roller, End 4" Dia X 4" Long	2
8	04.0025	.Snap Ring, Ext.1 Shft .078 Thk	2
9	64.1930	.Spacer, Rear Roller End	4
10	95.16	.Washer, Flat 1 SAE	8
11	MK-6007	.Roller, Rear MK960	1

# PARTS

## ILLUSTRATED DRAWING Rear Discharge Belting & End Guards





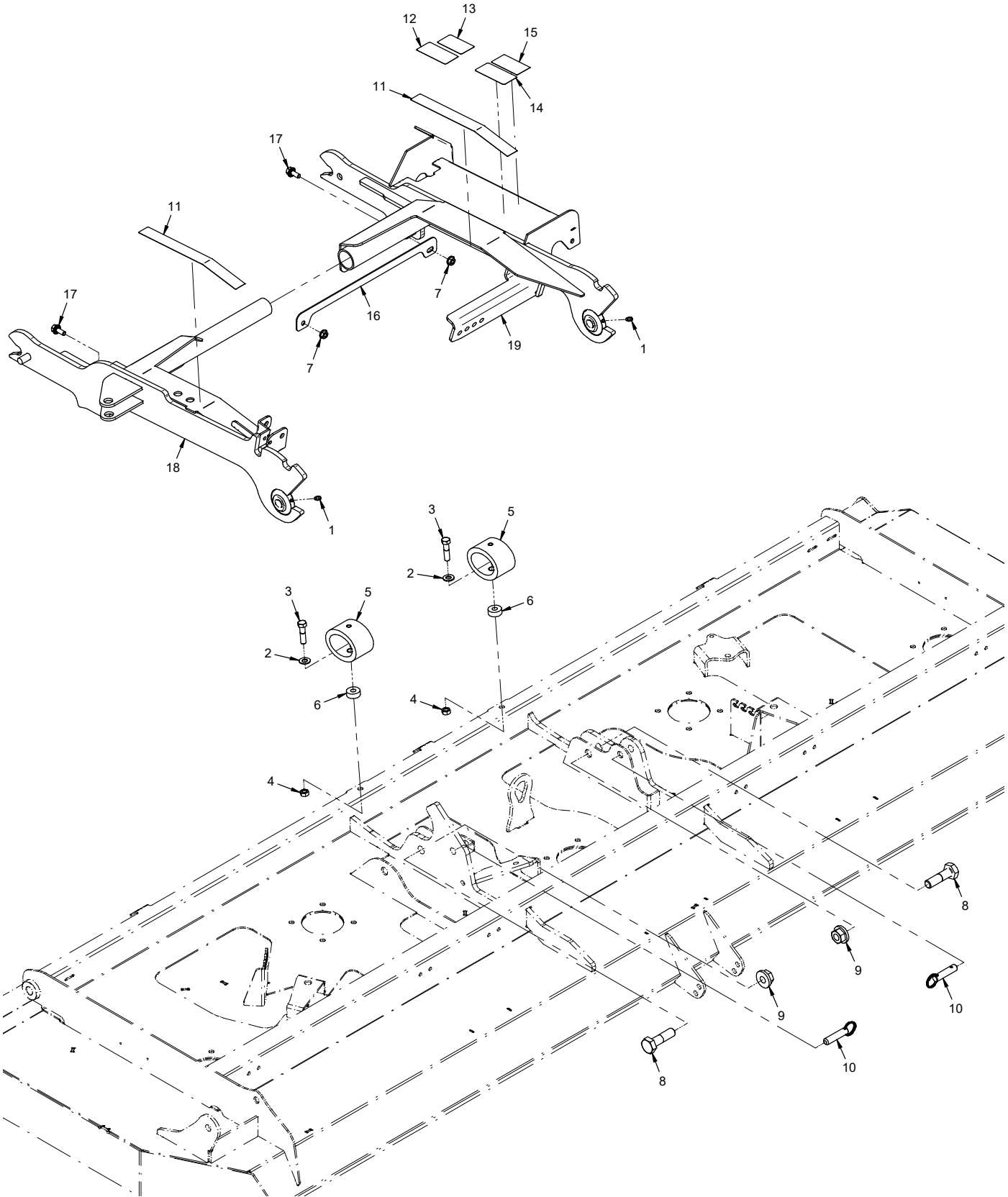
# PARTS

## Rear Discharge Belting & End Guards

REF.	PART NO.	DESCRIPTION	QTY.
1	44.0388	.Belting, Side Guard	2
2	90.0408	.Bolt, 1/4-20 USS x 1	4
3	99.B0115	.Washer, Fender 1/4 x 1-1/2	4
4	99.A04N	.Locknut, Nylon 1/4-20	24
5	95.04	.Washer, Flat 1/4 SAE	24
6	44.0409	.Belting, Discharge Shield	1
7	MK-1299	.Plate, Chute Clamp	4
8	97.0406	.Bolt, Carriage 1/4-20 x 3/4	20
10	MK-1273	.Plate, Rear Chute Bar Mounting	2
11	MK-6016	.Mount, Rear Chute	1

# PARTS

## ILLUSTRATED DRAWING Hitch Arms



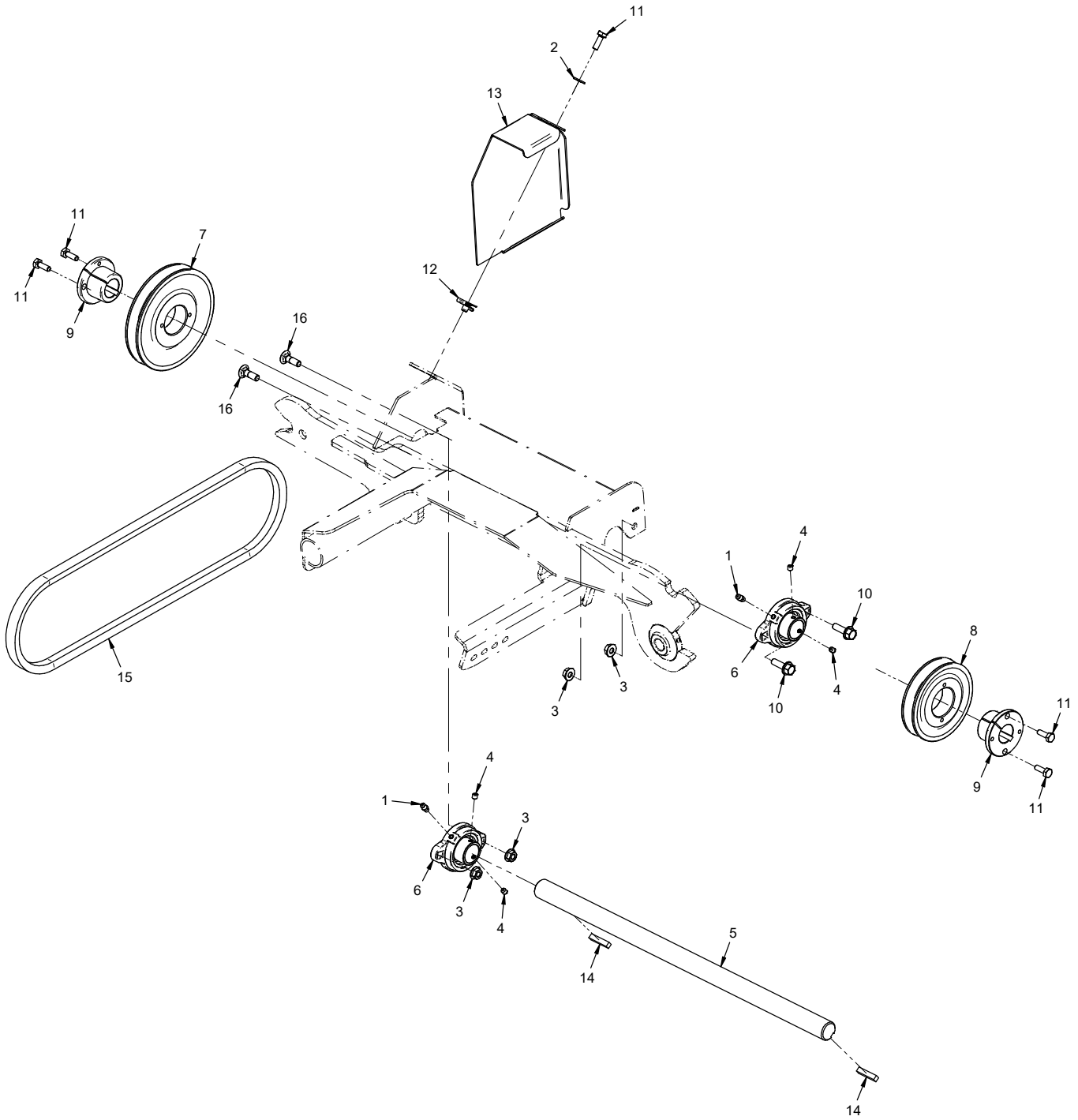
# PARTS

## Hitch Arms

REF.	PART NO.	DESCRIPTION	QTY.
1	29.GF0001	.Grease Ftg, 1/4 SAE ST.	2
2	95.06	.Washer, Flat 3/8 SAE	2
3	90.0612	.Bolt, 3/8-16 USS x 1-1/2	2
4	99.A06	.Locknut, Stover 3/8-16 USS	2
5	05.0169	.Bumper, Elastomer 1300 Lbs PF	2
6	64.1821	.Spacer, 3/8 ID x 1" OD x 3/8T	2
7	99.SF05	.Nut, SRF 5/16-18 USS	2
8	99.K0111	.Bolt, 5/8-11 X 2-1/4 Grd A325	2
9	99.E0094	.Locknut, 5/8-11 Flanged Stover	2
10	03.0039	.Pin, Ball 1/2 x 1.4 Usable Length	2
11	00.0427	.Decal, Wear Resistant	2
12	00.0220	.Decal, General Safety (Serial # 01001-01460)	1
12	00.0632	.Decal, Moving Parts Hazard (Serial # 01461-)	1
13	00.0216	.Decal, Warning Moving Parts (Serial # 01001-01460)	1
13	00.0631	.Decal, Finger/Hand Entanglement (Serial # 01461-)	1
14	00.0217	.Decal, Warning Read Owners Man (Serial # 01001-01460)	1
14	00.0619	.Decal, Read Operator's Manual (Serial # 01461-)	1
15	00.0219	.Decal, Warning Do Not Reach (Serial # 01001-01460)	1
16	64.1934	.Brace, Hitch Arm Spacing	1
17	99.SF0506	.Bolt, SRF 5/16-18 USS X 3/4	2
18	MK-6020	.Hitch, Arm Right MK960	1
19	MK-6022	.Hitch, Arm Left MK960	1

# PARTS

## ILLUSTRATED DRAWING Drive Shaft & Attachment Belt



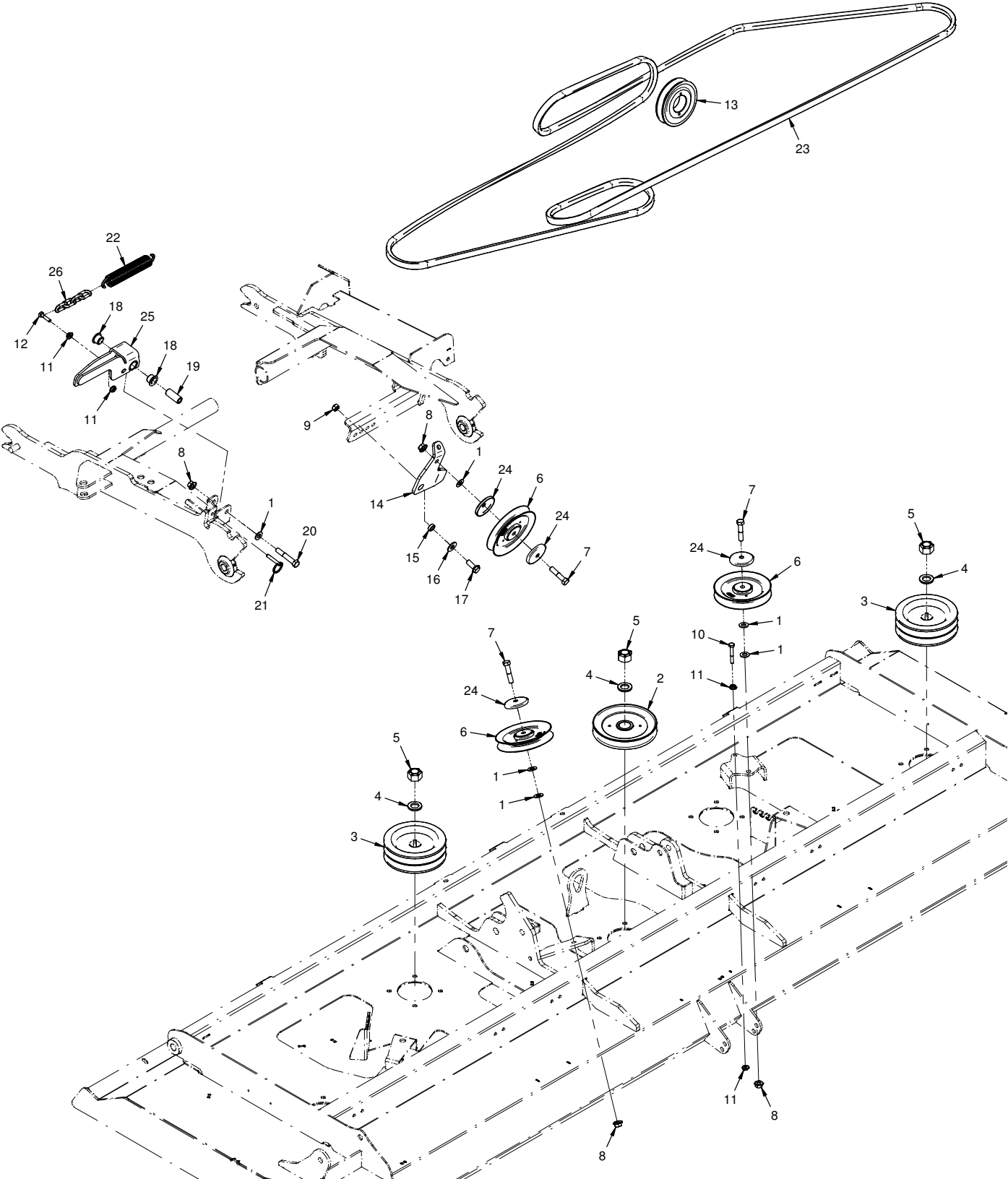
# PARTS

## Drive Shaft & Attachment Belt

REF.	PART NO.	DESCRIPTION	QTY.
1	29.GF0001	.Grease Ftg, 1/4 SAE ST.	2
2	95.04	.Washer, Flat 1/4 SAE	1
3	99.SF05	.Nut, SRF 5/16-18 USS	4
4	85.SS14	.Set Screw, 1/4-28 x 1/4	4
5	80.0394	.Shaft, Hitch Arm	1
6	55.FB16016-1	.Bearing, Flange Block 1"	2
7	83.BK55H	.Pulley, 5.5" H-Bushing	1
8	83.BK45H	.Pulley, 4.5" H-Bushing	1
9	83.H16S	.Bushing, 1" Split 1/4" Key	2
10	99.SF0508	.Bolt, SRF 5/16-18 USS X 1	2
11	90.0406	.Bolt, 1/4-20 USS x 3/4"	5
12	99.E0046	.Nut, "U" 1/4-20 Extruded	1
13	60.0665	.Shield, Drive Pulley	1
14	85.K0410	.Key, 1/4 X 1-1/4	2
15	81.B045	.Belt, B45	1
16	99.SF0508	.Bolt, SRF 5/16-18 USS X 1 (Serial # 01001-01496)	2
16	97.0508	.Bolt, Carriage 5/16-18 x 1 (Serial # 01497-)	2

# PARTS

## ILLUSTRATED DRAWING Main Deck Belt, Pulleys, & Belt Tensioner



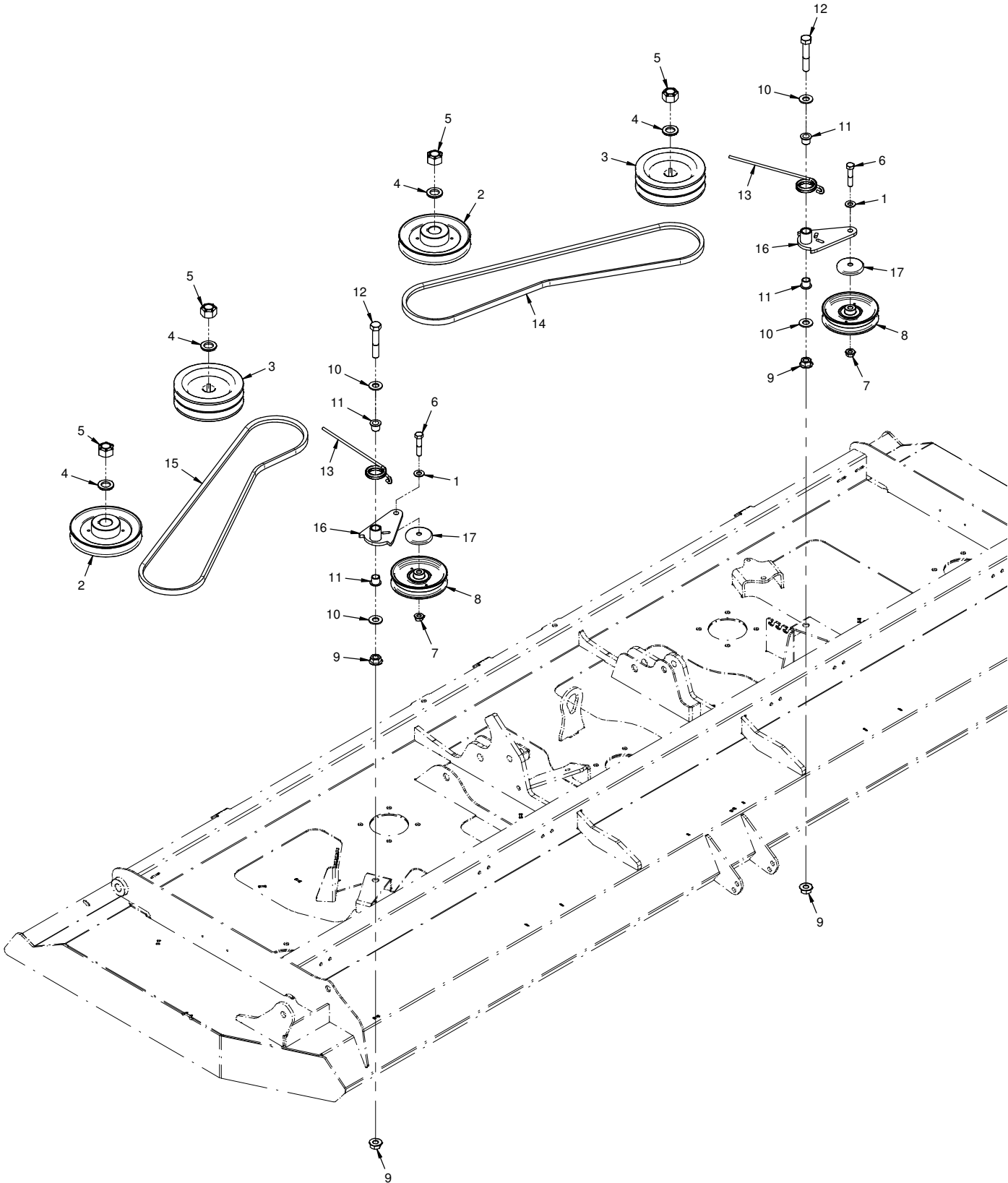
# PARTS

## Main Deck Belt, Pulleys, & Belt Tensioner

REF.	PART NO.	DESCRIPTION	QTY.
1	95.06	.Washer, Flat 3/8 SAE	6
2	83.0075	.Pulley, 5.64 OD, 25MM Str. Bore	1
3	83.2BK5725	.Pulley, 5.7" 2 Groove, 25mm Bore, 1/4" Keyway	2
4	99.B0057-2	.Washer, Mach 3/4 x 1-1/4 10 GA ZP	3
5	99.A12NF	.Locknut, Stover 3/4-16 SAE	3
6	83.0031	.Pulley, V-Idler 5-1/4 X 3/8 ID	3
7	90.0614	.Bolt, 3/8-16 USS x 1-3/4	3
8	99.SF06	.Nut, SRF 3/8-16 USS	4
9	99.A06	.Locknut, Stover 3/8-16 USS	1
10	90.0414	.Bolt, 1/4-20 USS x 1-3/4	1
11	99.SF04	.Nut, SRF 1/4-20 USS	4
12	90.0408	.Bolt, 1/4-20 USS x 1	1
13	83.BK45H	.Pulley, 4.5" H-Bushing	1
14	40.0399	.Idler Arm, Belt Tension	1
15	64.0602	.Bushing, 3/8 x 5/8 x .265	1
16	94.06	.Washer, Flat 3/8 USS	1
17	99.SF0608	.Bolt, SRF 3/8-16 USS x 1	1
18	85.B0088	.Bushing, 5/8 ID X 3/4 OD X 1/2	2
19	64.1936	.Bushing, Belt Tension Pivot	1
20	90.0618	.Bolt, 3/8-16 USS x 2-1/4	1
21	03.0022	.Pin, Ball 1/4" x 1"	1
22	41.0048	.Spring, Ext. 1 Od X 6	1
23	81.0180	.Belt, B190 Custom	1
24	60.1056	.Cover, Pulley	4
25	MK-6019	.Handle, Belt Tensioner	1
26	81.0160	.Chain, 1/8 Plated x 4 Links	1

# PARTS

## ILLUSTRATED DRAWING Single Spindle Belts, Pulleys, & Tensioners





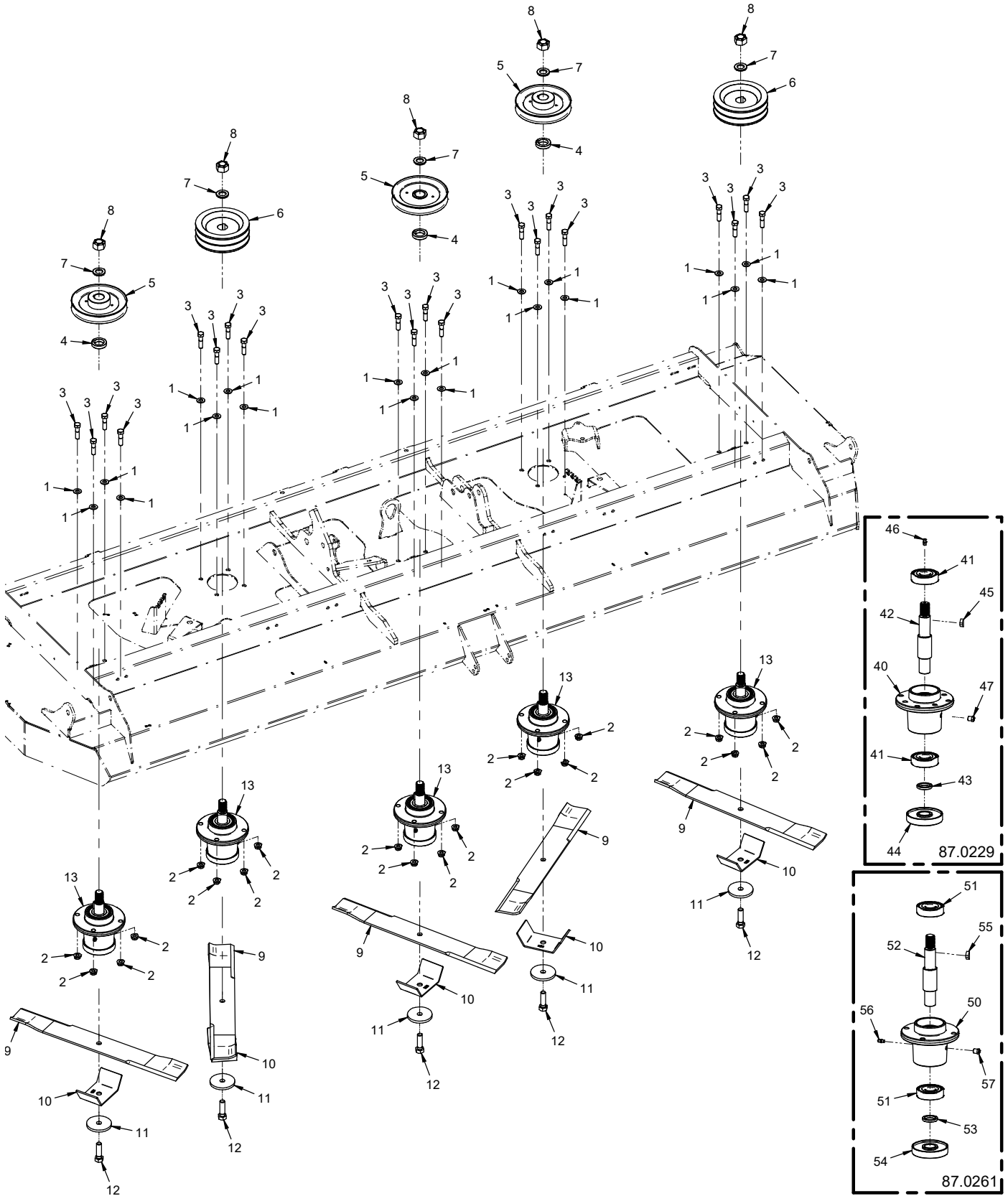
# PARTS

## Single Spindle Belts, Pulleys, & Tensioners

REF.	PART NO.	DESCRIPTION	QTY.
1	95.06	.Washer, Flat 3/8 SAE	2
2	83.0075	.Pulley, 5.64 OD, 25MM Str. Bore	2
3	83.2BK5725	.Pulley, 5.7" 2 Groove, 25mm Bore, 1/4" Keyway	2
4	99.B0057-2	.Washer, Mach 3/4 x 1-1/4 10 GA ZP	4
5	99.A12NF	.Locknut, Stover 3/4-16 SAE	4
6	90.0614	.Bolt, 3/8-16 USS x 1-3/4	2
7	99.SF06	.Nut, SRF 3/8-16 USS	2
8	83.0037	.Pulley, Idler Flat 4" X 3/8	2
9	99.SF08	.Nut, SRF 1/2-13 USS	4
10	95.08	.Washer, Flat 1/2 SAE	4
11	85.B0027	.Bushing, 1/2 ID X 5/8 OD X 5/8	4
12	90.0822	.Bolt, 1/2-13 USS x 2-3/4	2
13	41.0083	.Spring, Torsion Rh 1-3/16 ldx7	2
14	81.A055	.Belt, A55	1
15	81.A055	.Belt, A55	1
16	MK-6010	.Arm, Spindle Tension Idler	2
17	60.1056	.Cover, Pulley	2

# PARTS

## ILLUSTRATED DRAWING Spindles & Blades



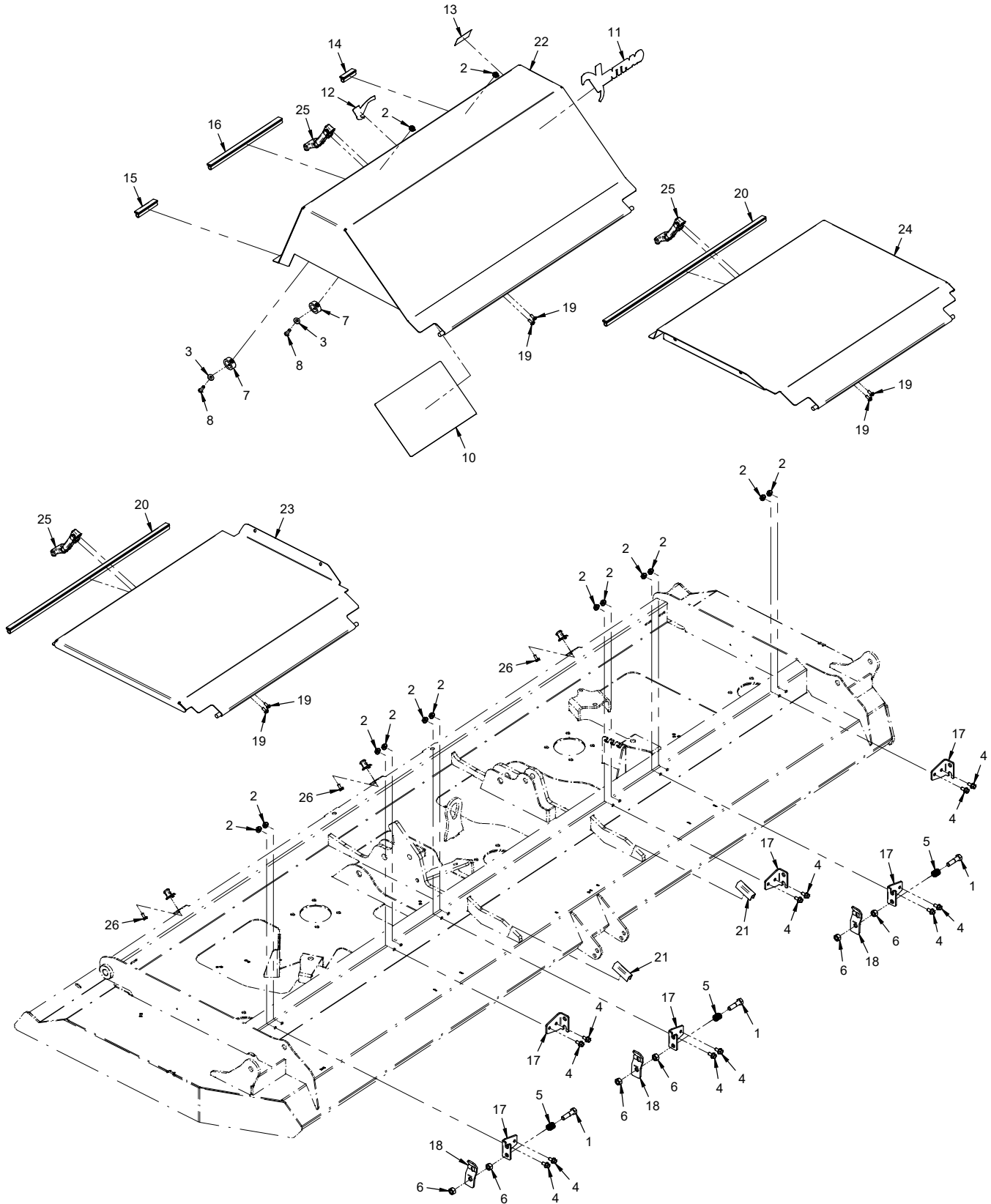
# PARTS

## Spindles & Blades

REF.	PART NO.	DESCRIPTION	QTY.
1	95.06	Washer, Flat 3/8 SAE	20
2	99.E0082	Nut, Locking Flange 3/8-16	20
3	90.0612	Bolt, 3/8-16 USS x 1-1/2	20
4	85.B0080	Bushing, 1-1/2 OD, 1 ID	3
5	83.0075	Pulley, 5.64 OD, 25MM Str. Bore	3
6	83.2BK5725	Pulley, 5.7" 2 Groove, 25mm Bore, 1/4" Keyway	2
7	99.B0057-2	Washer, Mach 3/4 x 1-1/4 10 GA ZP	5
8	99.A12NF	Locknut, Stover 3/4-16 SAE	5
9	79.0119	Blade, 20.00x1/2 RH S Lowlift	5
9	79.0120	Blade, 20.00x1/2 RH S Highlift (Optional)	5
10	64.2002	Guard, Spindle/Anti-String	5
11	99.B0091	Washer, .510 ID X 2-1/2 OD 1/4	5
12	91.0814-8	Bolt, 1/2-20 x 1-3/4 GR8	5
13	87.0229	Spindle, Asm RH 25MM AL (Serial # 01001-01730)	5
13	87.0261	Spindle, Asm RH 25MM AL (Serial # 01731-)	5
40	87.0209-1	Housing, Spindle AL	1
41	55.0064	Bearing, Ball 25 mm x 62 mm	2
42	87.0209-2	Shaft, Spindle RH	1
43	85.B0082	Bushing, Spindle Shaft Spacer	1
44	87.0210	Spindle, Flange Shield	1
45	85.W0406	Key, Woodruff 1/4 X 3/4	1
46	29.GF0001	Grease Ftg, 1/4 SAE ST	1
47	29.GF0017	Fitting, Relief	1
50	87.0261-1	Housing, Spindle AL	1
51	55.0064	Bearing, Ball 25 MM x 62 MM	2
52	87.0261-2	Shaft, Spindle RH	1
53	85.B0082	Bushing, Spindle Shaft Spacer	1
54	87.0210	Spindle, Flange Shield	1
55	85.W0406	Key, Woodruff 1/4 X 3/4, #806 SAE Size	1
56	29.GF0001	Grease Ftg, 1/4 SAE ST	1
57	29.GF0017	Fitting, Relief	1

# PARTS

## ILLUSTRATED DRAWING Top Deck Covers



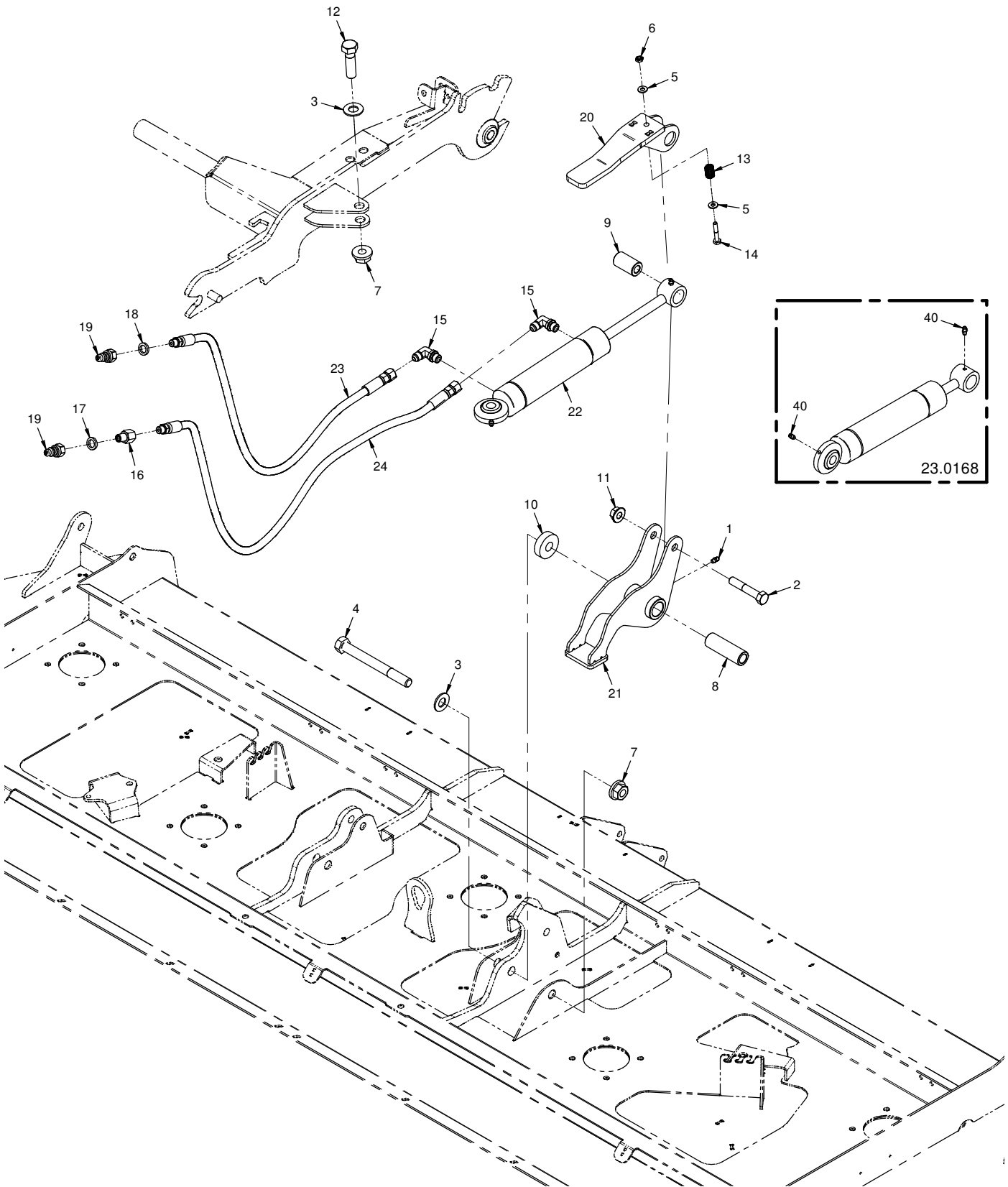
# PARTS

## Top Deck Covers

REF.	PART NO.	DESCRIPTION	QTY.
1	90.0612	Bolt, 3/8-16 USS x 1-1/2	3
2	99.SF04	Nut, SRF 1/4-20 USS	14
3	95.04	Washer, Flat 1/4 SAE	2
4	99.SF0404-1	Bolt, SMF 1/4-20 X 1/2	12
5	41.0039	Spring, Comp. 9/16 OD X 5/8	3
6	92.06	Nut, 3/8-16 USS	6
7	05.0170	Bumper, Elastomer 125 Lbs PF	2
8	99.0406	Bolt, 1/4-20 x 3/4 BSCS	2
10	00.0601	Decal, Maintenance MK960	1
11	00.0383	Decal, Ventrac	1
12	00.0192	Decal, V-Decal Die Cut Blue	1
13	00.0100	Decal, Made In Usa	1
14	06.0049-1.75IN	Trim, 7/16" Bulb Seal Side 1/16T x 1-3/4"	1
15	06.0049-2.75IN	Trim, 7/16" Bulb Seal Side 1/16T x 2-3/4"	1
16	06.0049-10.5IN	Trim, 7/16" Bulb Seal Side 1/16T x 10-1/2"	1
17	MK-1300	Bracket, Top Shield Hinge	6
18	MK-1302	Latch, Top Shield	3
19	99.K0072	Machine Screw, 10-24 X 1/2 ZP	6
20	06.0049-23.5IN	Trim, 7/16" Bulb Seal Side 1/16T x 23-1/2"	2
21	06.0089-2IN	Trim, Trim Loc 5/8 x 3/8 x 2"	2
22	MK-6015	Cover, Top Deck Center	1
23	MK-6027	Cover, Top Deck Right	1
24	MK-6028	Cover, Top Deck Left	1
25	47.0127	Latch, Rubber Draw T-Handle	3
26	99.K0174	Machine Screw, #10-24 x 1/2 Hex Head ZP	3

# PARTS

## ILLUSTRATED DRAWING 70.8203 Hydraulic Flip Up Kit



# PARTS

## 70.8203 Hydraulic Flip Up Kit

REF.	PART NO.	DESCRIPTION	QTY.
1	29.GF0001	.Grease Ftg, 1/4 SAE ST.	1
2	90.0822	.Bolt, 1/2-13 USS x 2-3/4.	1
3	95.10	.Washer, Flat 5/8 SAE	2
4	90.1048	.Bolt, 5/8-11 USS x 6	1
5	95.04	.Washer, Flat 1/4 SAE	2
6	99.A04	.Locknut, Stover 1/4-20 USS.	1
7	99.E0094	.Locknut, 5/8-11 Flanged Stover	2
8	64.1975	.Bushing, .641 x 1.00 x 3.094L	1
9	64.1973	.Bushing, .516ID X 1 OD X 1.75 L	1
10	MK-1173	.Washer, .656 x 1.75 x 1/2 Thk	1
11	99.E0103	.Nut, Locking Flange 1/2-13	1
12	90.1018	.Bolt, 5/8-11 USS x 2-1/4.	1
13	41.0108	.Spring, Comp. .531 OD X .780 LG	1
14	90.0412	.Bolt, 1/4-20 USS x 1-1/2.	1
15	25.6801-06-06	.Fitting, 90 ME 3/8 x 3/8.	2
16	29.0092	.Fitting, .025 Orifice 1/4 Pipe	1
17	05.0116	.Washer, .544 ID x .817 x .14 Red.	1
18	05.0117	.Washer, .544 ID x .817 x .14 Yel	1
19	23.0104	.Coupler, Quick Male 1/4	2
20	64.2014	.Bracket, Hyd Cylinder Lock	1
21	MK-6021	.Bracket, MK Flip Up Rocker	1
22	23.0168	.Cylinder, 1-3/4" X 5-1/4"	1
23	20.0166	.Hose, 1/4x35.00 SAE 100R17 AR	1
24	20.0169	.Hose, 1/4x38.00 SAE 100R17 AR	1
40	29.GF0001	.Grease Ftg, 1/4 SAE ST.	2