

Parts Manual

NJ380

Power Broom



Revised 08/22/23
09.20038 Rev. 04



500 Venture Drive
Orrville Oh 44667
www.ventrac.com

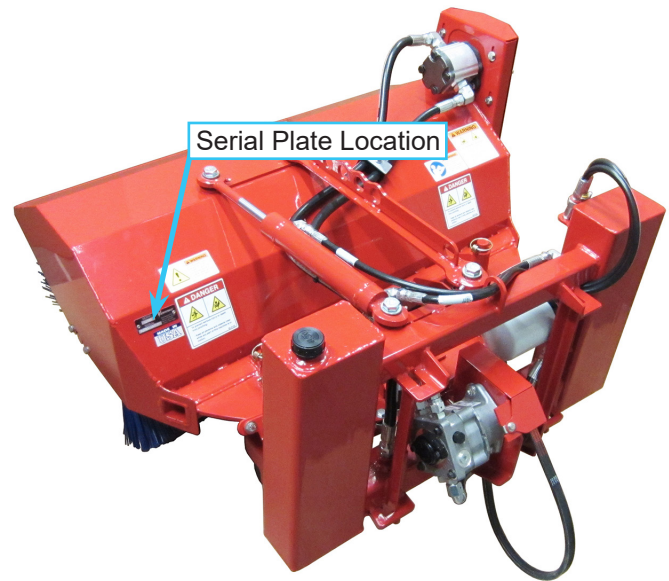
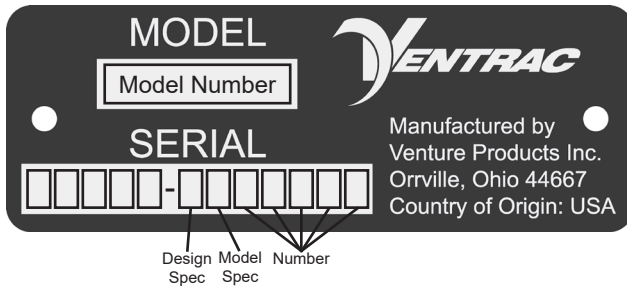
View all manuals



Visit ventrac.com/manuals for the latest version of this parts manual.

A downloadable operator's manual is also available.

Serial Number Description



Notes

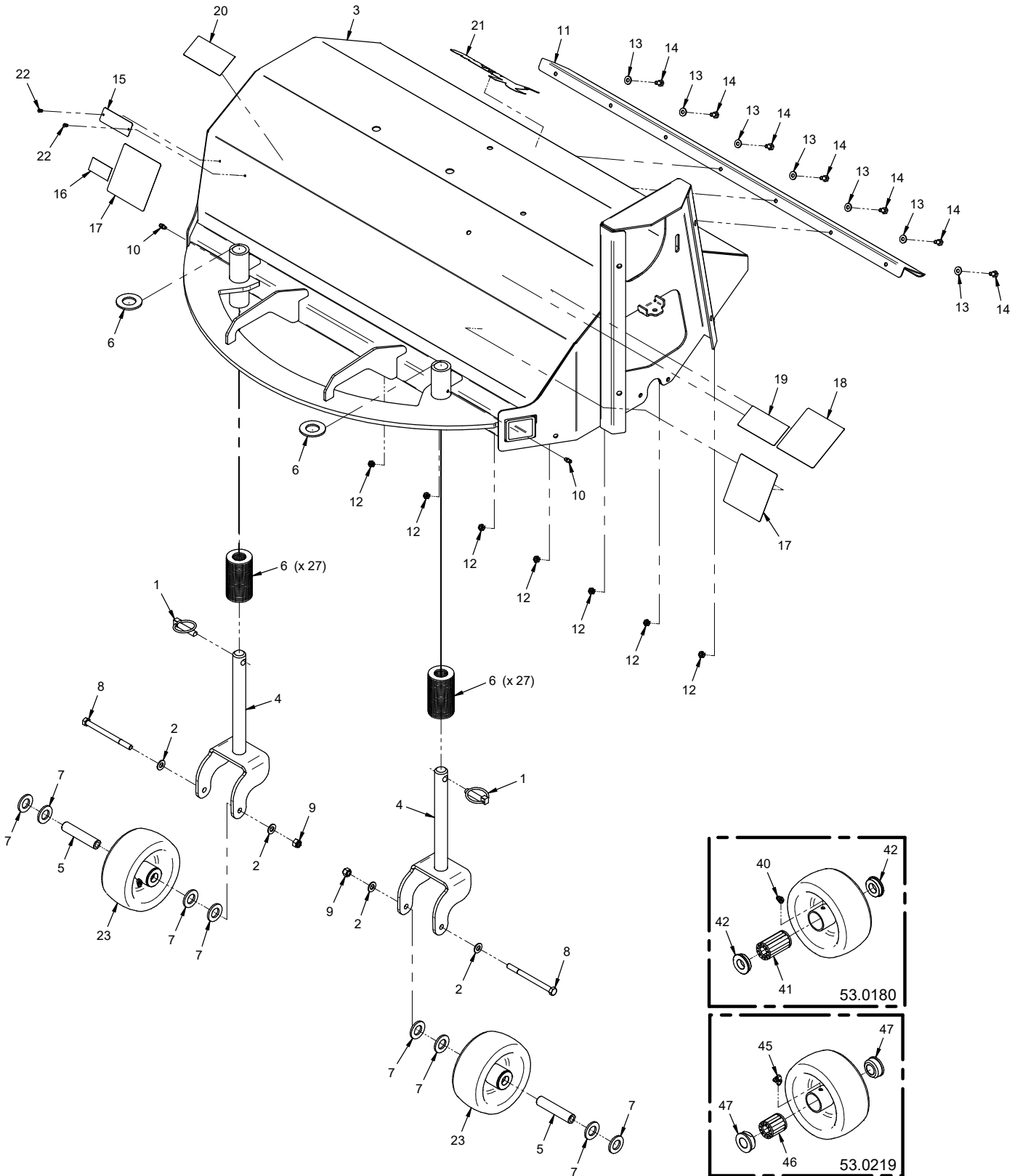
- If any component requires replacement, use only original Ventrac replacement parts.
- When ordering new components, be sure to order all required safety decals. All current safety decals must be affixed to the replacement components prior to installation of the component.

TABLE OF CONTENTS

PARTS	PAGE 4
Brush Shroud Frame & Wheels	4
Broom Angle & Pivot	6
Hitch Frame & Pump Mount.....	8
Rotor & Brush Wafers	10
Motor Mount & Rotor Drive	12
Hydraulic Drive Circuit.....	14
70.8192 Optional 12V Actuator	16

PARTS

ILLUSTRATED DRAWING Brush Shroud Frame & Wheels



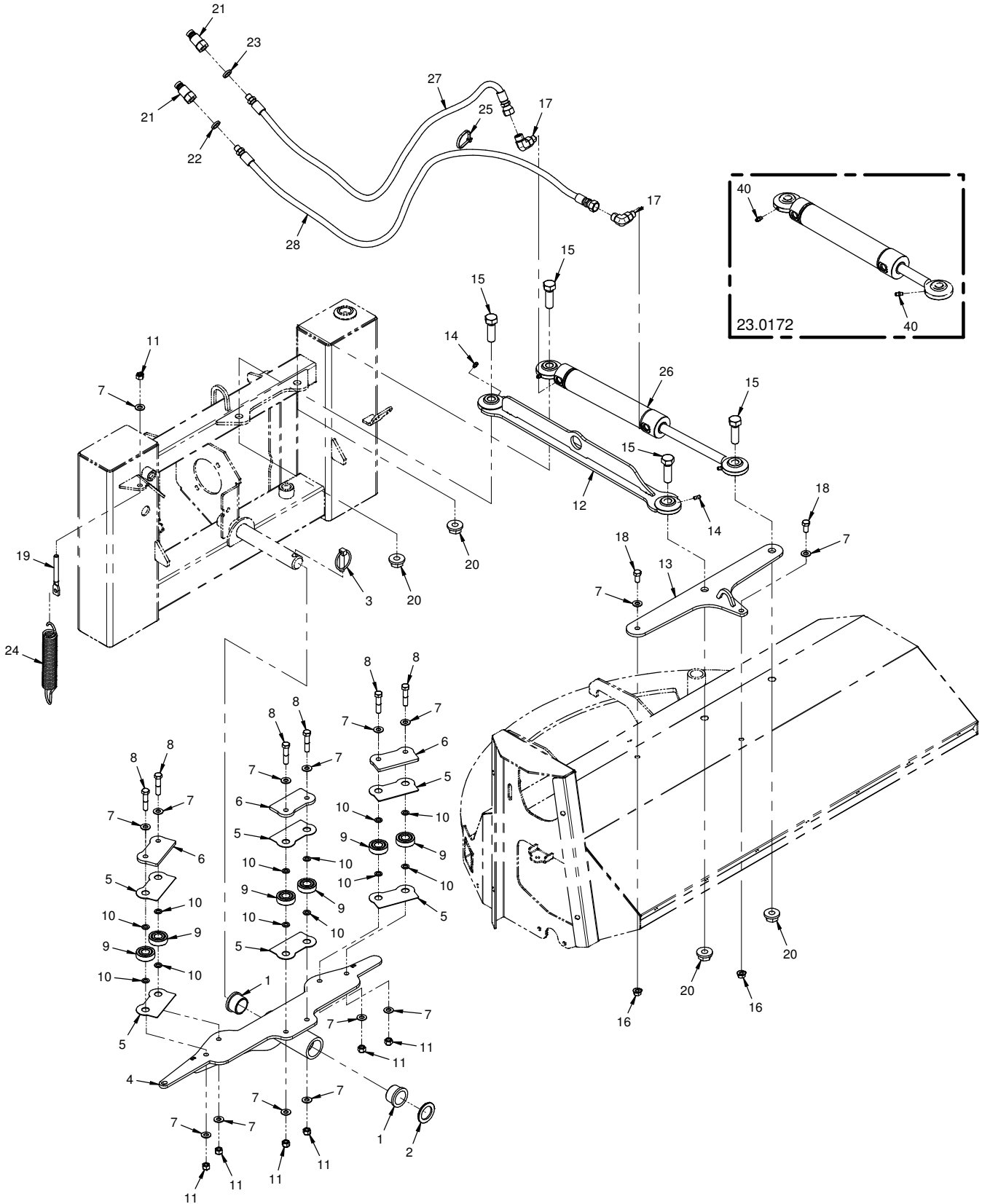
PARTS

Brush Shroud Frame & Wheels

REF.	PART NO.	DESCRIPTION	QTY.
1	03.0005	.Pin, Linch	2
2	95.06-3	.Washer, Flat 3/8 SAE SS	4
3	NJ-6001	.Frame, Brush Shroud	1
4	NJ-6004	.Spindle, Swivel Wheel	2
5	50.0198	.Tube, Axle-Wheel NJ	2
6	95.16	.Washer, Flat 1 SAE	56
7	95.12	.Washer, Flat 3/4 SAE	8
8	90.0638-3	.Bolt, 3/8-16 USS x 4-3/4 SS	2
9	99.A06N-3	.Locknut, Nylon 3/8-16 SS	2
10	29.GF0001	.Grease Ftg, 1/4 SAE ST	2
11	NJ-1001	.Deflector, Front	1
12	99.SF04-3	.Nut, SRF 1/4-20 USS Stainless	7
13	95.04-3	.Washer, Flat 1/4 SAE SS	7
14	90.0404-3	.Bolt, 1/4-20 USS x 1/2 SS	7
15	N/A	.Plate, Ventrac Serial Number	1
16	00.0100	.Decal, Made In USA	1
17	00.0102	.Decal, Danger - Pinching Hazards (Serial # 01001-03612)	2
17	00.0620	.Decal, Pinching or Crushing Hazard (Serial # 03613-)	2
18	00.0103	.Decal, Hazard - High Press. Fluid (Serial # 01001-03612)	1
18	00.0621	.Decal, Highg Pressure Fluid Hazard (Serial # 03613-)	1
19	00.0217	.Decal, Warning Read Owners Man (Serial # 01001-03612)	1
19	00.0619	.Decal, Read Operator's Manual (Serial # 03613-)	1
20	00.0220	.Decal, General Safety (Serial # 01001-03612)	1
20	00.0632	.Decal, Moving Parts Hazard (Serial # 03613-)	1
21	00.0383	.Decal, Ventrac	1
22	04.0029	.Rivet, Pop 1/8" X 1/4"	2
23	53.0180	.Wheel, Caster 6-1/4" x 3 (Serial # 01001-03510)	2
23	53.0219	.Wheel, Caster 6-1/4" x 3 (Serial # 03511-)	2
40	29.GF0003	.Grease Ftg, 1/4 SAE 45	1
41	55.0108	.Bearing, Roller 2.25"	1
42	55.0109	.Bearing, Retainer 3/4"	2
45	29.GF0002	.GREASE FTG, 1/4 SAE 90	1
46	55.0124	.BEARING, ROLLER 1.5"	1
47	55.0114	.RETAINER, ROLLER BEARING 3/4"	2

PARTS

ILLUSTRATED DRAWING Broom Angle & Pivot



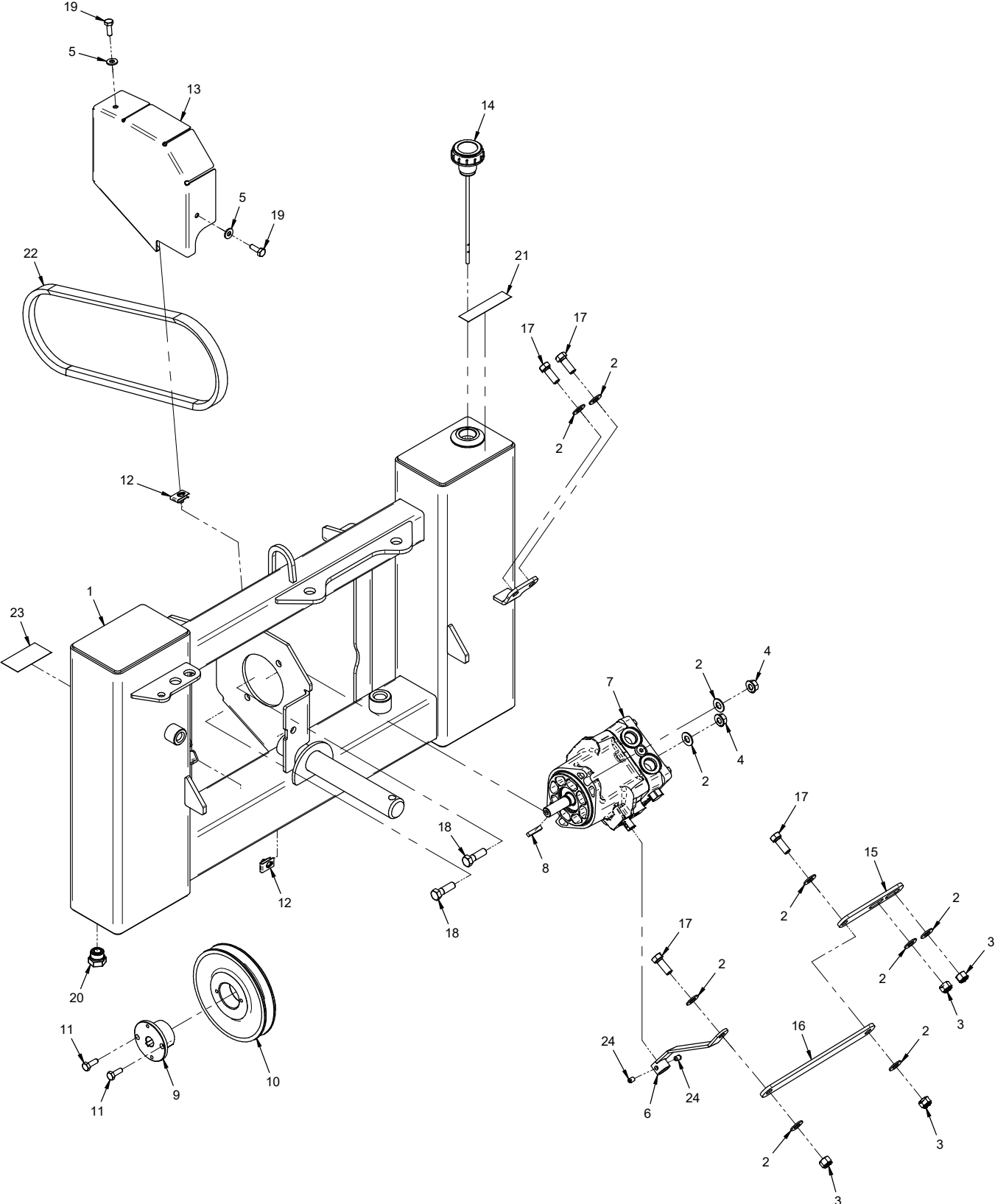
PARTS

Broom Angle & Pivot

REF.	PART NO.	DESCRIPTION	QTY.
1	85.B0060	.Bushing, 1-1/4 ID x 1-1/2 OD 1	2
2	99.B0024-2	.Washer, Mach 1-1/4 x 1-7/8 10 GA	1
3	03.0005	.Pin, Linch	1
4	NJ-6009	.Frame, Broom Pivot	1
5	NJ-1009	.Slide, Broom Pivot	6
6	NJ-1003	.Clamp, Broom Pivot Guide	3
7	95.06-3	.Washer, Flat 3/8 SAE SS	15
8	90.0614-3	.Bolt, 3/8-16 USS x 1-3/4 SS	6
9	55.0103	.Bearing, Ball .375" ID x 40mm OD	6
10	99.B0125	.Shim, .375 ID x .625 OD x .090T SS	12
11	99.A06N-3	.Locknut, Nylon 3/8-16 SS	7
12	NJ-6005	.Link, Swivel Upper Pivot	1
13	NJ-6008	.Frame, Pivot Reinforcement	1
14	29.GF0001	.Grease Ftg, 1/4 SAE ST	2
15	90.1016	.Bolt, 5/8-11 USS x 2	4
16	99.SF06-3	.Nut, SRF 3/8-16 USS Stainless	2
17	25.FF6801-06-06-CP	.Fitting, 90 Elbow - 6MFF x 6MB	2
18	90.0606-3	.Bolt, 3/8-16 USS x 3/4SS	2
19	99.K0094	.Bolt, Hanger 3/8-16 X 4	1
20	99.E0094	.Locknut, 5/8-11 Flanged Stover	4
21	23.0176	.Coupler, Male Flat Face Quick 1/4	2
22	05.0116	.Washer, .544 ID x .817 x .14 Red	1
23	05.0117	.Washer, .544 ID x .817 x .14 Yel	1
24	41.0116	.Spring, Ext. 1.04 OD x 8-1/2 L	1
25	30.0037	.Tyton Tie, #50 .18 x 8 Black	1
26	23.0172	.Cylinder, 1-1/2" X 8"	1
27	20.0343	.Hose, 1/4x35.00 SAE 100R17AR	1
28	20.0342	.Hose, 1/4x43.00 SAE 100R17AR	1
40	29.GF0001	.Grease Ftg, 1/4 SAE ST	2

PARTS

ILLUSTRATED DRAWING Hitch Frame & Pump Mount



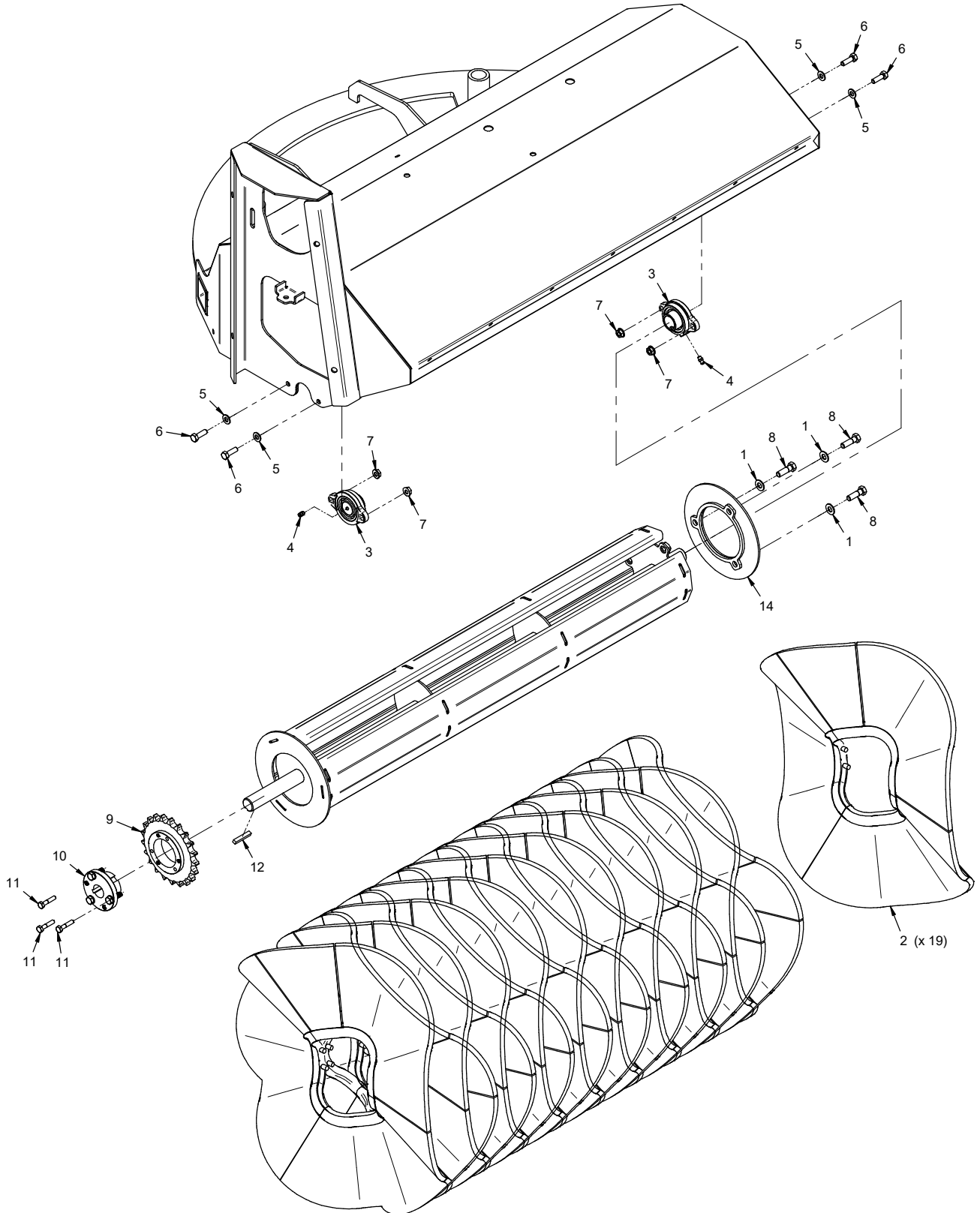
PARTS

Hitch Frame & Pump Mount

REF.	PART NO.	DESCRIPTION	QTY.
1	NJ-6002	.Frame, Hitch / Hyd Tank Main	1
2	95.06-3	.Washer, Flat 3/8 SAE SS	10
3	99.A06N-3	.Locknut, Nylon 3/8-16 SS	4
4	99.SF06-3	.Nut, SRF 3/8-16 USS Stainless	2
5	95.04-3	.Washer, Flat 1/4 SAE SS	2
6	NJ-6010	.Lever, Pump Control	1
7	21.0095	.Pump, HYD. Hydrogear	1
7	89.0079	.Kit, Seal Hydrogear Pump	1
8	85.K508	.Key, 5mm Sq x 1"	1
9	83.H15M	.Bushing, 15mm H-Bushing	1
10	83.BK60H	.Pulley, 6" H-Bushing	1
11	90.0406	.Bolt, 1/4-20 USS x 3/4"	2
12	99.E0046	.Nut, "U" 1/4-20 Extruded	2
13	NJ-1013	.Cover, Pump Drive	1
14	23.0127	.Dipstick, Asm 6-3/4"	1
15	NJ-1020	.Mount, Pump Actuator Link	1
16	NJ-1025	.Link, Manual Pump Control	1
17	90.0608-3	.Bolt, 3/8-16 USS x 1 SS	4
18	90.0610-3	.Bolt, 3/8-16 USS x 1-1/4 SS	2
19	90.0406-3	.Bolt, 1/4-20 USS x 3/4 SS	2
20	25.6408-08-CP	.Fitting, Plug 8MB	1
21	00.0148	.Decal, Hyd. Oil 3-7/16 x 3/4	1
22	81.0181	.Belt, 5L 40"	1
23	00.0216	.Decal, Warning Moving Parts (Serial # 01001-03612)	1
23	00.0631	.Decal, Finger/Hand Entanglement (Serial # 03613-)	1
24	85.SS11	.Set Screw, 1/4-28 x 3/8"	2

PARTS

ILLUSTRATED DRAWING Rotor & Brush Wafers



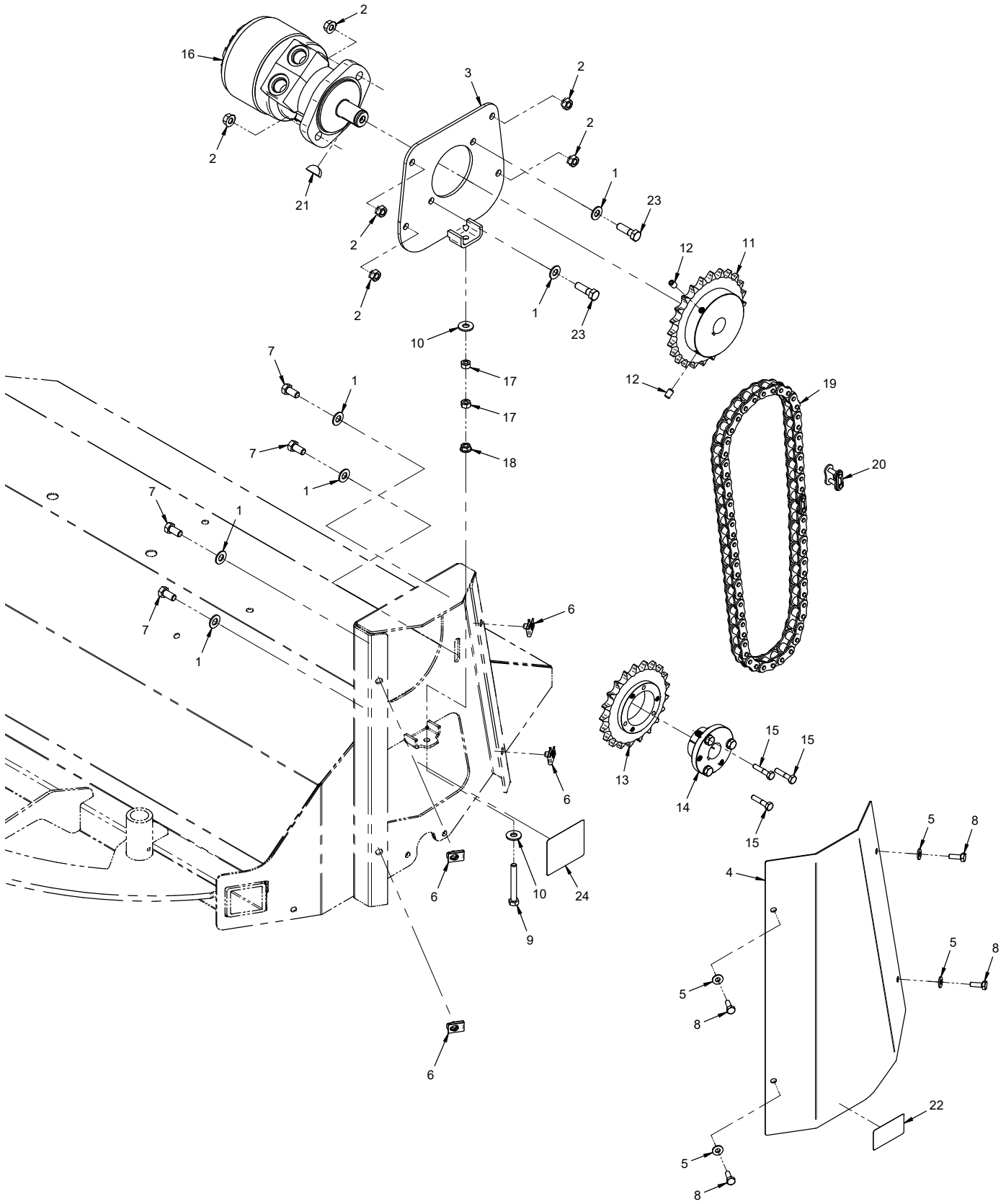
PARTS

Rotor & Brush Wafers

REF.	PART NO.	DESCRIPTION	QTY.
1	95.06-3	Washer, Flat 3/8 SAE SS	3
2	79.0113	Brush, Wafer 21-3/8" Poly	19
3	55.FB16016-1	Bearing, Flange Block 1"	2
4	29.GF0001	Grease Ftg, 1/4 SAE ST	2
5	95.05-3	Washer, Flat 5/16 SAE SS	4
6	90.0508-3	Bolt, 5/16-18 USS x 1 SS	4
7	99.SF05-3	Nut, SRF 5/16-18 USS Stainless	4
8	90.0610-3	Bolt, 3/8-16 USS x 1-1/4 SS	3
9	83.60SDS21	Sprocket, #60 21-T SDS Bushing	1
10	83.SDS16	Bushing, 1" SDS	1
11	90.0410	Bolt, 1/4-20 USS x 1/1-4"	3
12	85.K0412	Key, 1/4 X 1-1/2	1
13	NJ-6006	Frame, Brush Rotor	1
14	NJ-6011	Clamp, Brush Wafer	1

PARTS

ILLUSTRATED DRAWING Motor Mount & Rotor Drive



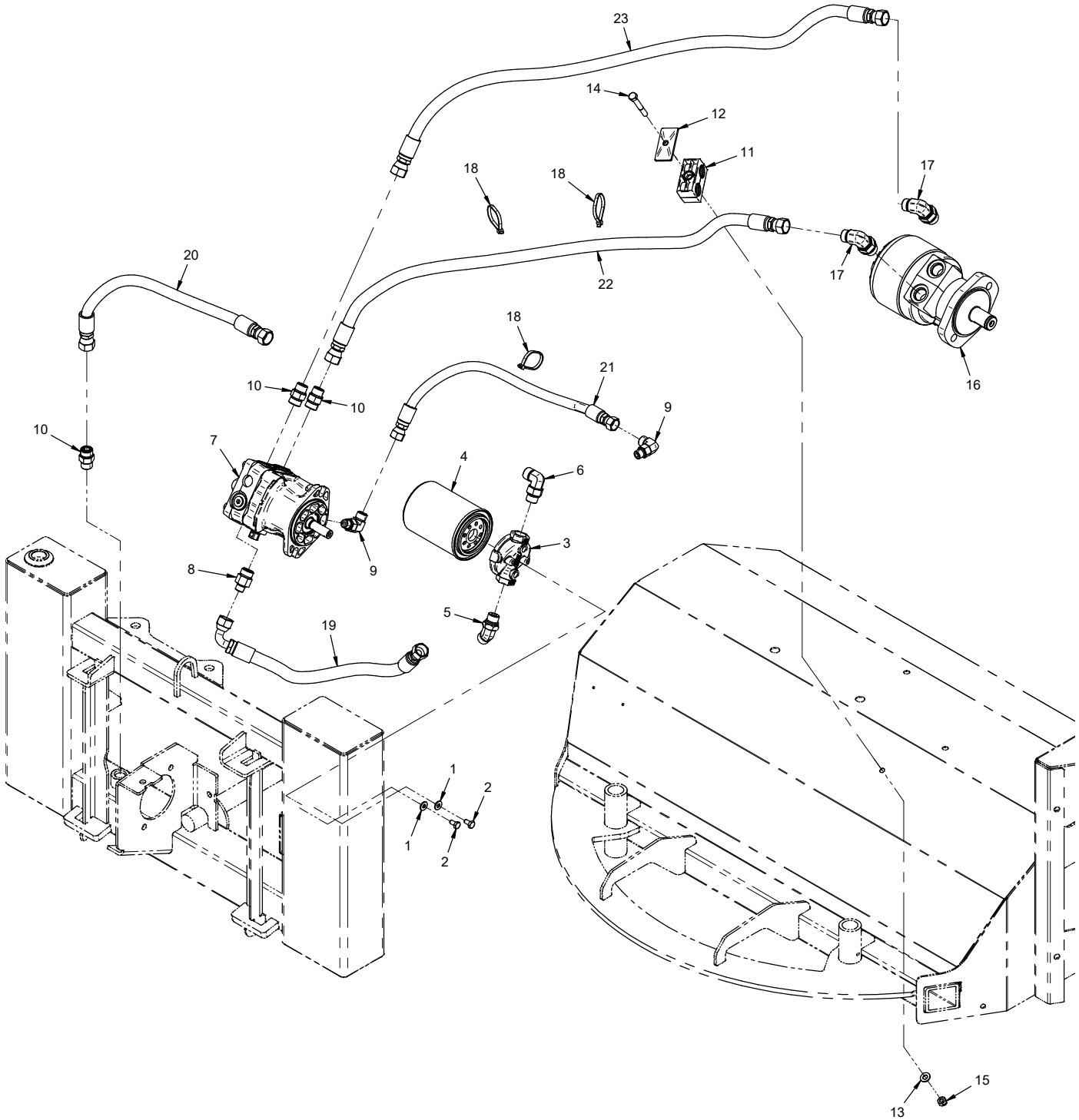
PARTS

Motor Mount & Rotor Drive

REF.	PART NO.	DESCRIPTION	QTY.
1	95.06-3	.Washer, Flat 3/8 SAE SS	6
2	99.SF06-3	.Nut, SRF 3/8-16 USS Stainless	6
3	NJ-1017	.Plate, Motor Mount	1
4	NJ-1012	.Cover, Brush Drive	1
5	95.04-3	.Washer, Flat 1/4 SAE SS	4
6	99.E0046	.Nut, "U" 1/4-20 Extruded	4
7	90.0606-3	.Bolt, 3/8-16 USS x 3/4SS	4
8	90.0406-3	.Bolt, 1/4-20 USS x 3/4 SS	4
9	90.0520-2	.Bolt, 5/16-18 x 2-1/2 All Thrd	1
10	94.05	.Washer, Flat 5/16 USS	2
11	83.500912	.Sprocket, #50 9-T 3/4" Bore (Serial # 01001-02124)	1
11	83.602416	.Sprocket, #60 24-T 1" Bore (Serial # 02125-)	1
12	85.SS19	.Set Screw, 1/4-20 x 1/4" (Serial # 01001-02124)	2
12	85.SS16	.Set Screw, 5/16-18 x 1/2 (Serial # 02125-)	2
13	83.50SDS40	.Sprocket, #50 40-T SDS Bushing (Serial # 01001-02124)	1
13	83.60SDS21	.Sprocket, #60 21-T SDS Bushing (Serial # 02125-)	1
14	83.SDS16	.Bushing, 1" SDS	1
15	90.0410	.Bolt, 1/4-20 USS x 1/1-4"	3
16	21.0132	.Motor, Hydraulic Gear (Serial # 01001-02124)	1
16	21.0152	.Motor, Hyd. Parker (Serial # 02125-)	1
17	92.05	.Nut, 5/16-18 USS	2
18	99.SF05	.Nut, SRF 5/16-18 USS	1
19	81.0174	.Chain, Roller #50 x 43-1/8" (Serial # 01001-02124)	1
19	81.0188	.Chain, Roller #60 x 45.75" (Serial # 02125-)	1
20	81.0053	.Link, Connector #50 (Serial # 01001-02124)	1
20	81.0024	.Link, Connector #60 (Serial # 02125-)	1
21	85.K0307	.Key, 3/16 X 5/8 (Serial # 01001-02124)	1
21	85.W0408	.Key, Woodruff 1/4 x 1 (Serial # 02125-)	1
22	00.0216	.Decal, Warning Moving Parts (Serial # 01001-03612)	1
22	00.0631	.Decal, Finger/Hand Entanglement (Serial # 03613-)	1
23	90.0608-3	.Bolt, 3/8-16 USS x 1 SS (Serial # 01001-02124)	2
23	90.0610-3	.Bolt, 3/8-16 USS x 1-1/4 SS (Serial # 02125-)	2
24	00.0625	.Decal, Shield Missing (Serial # 03613-)	1

PARTS

ILLUSTRATED DRAWING Hydraulic Drive Circuit



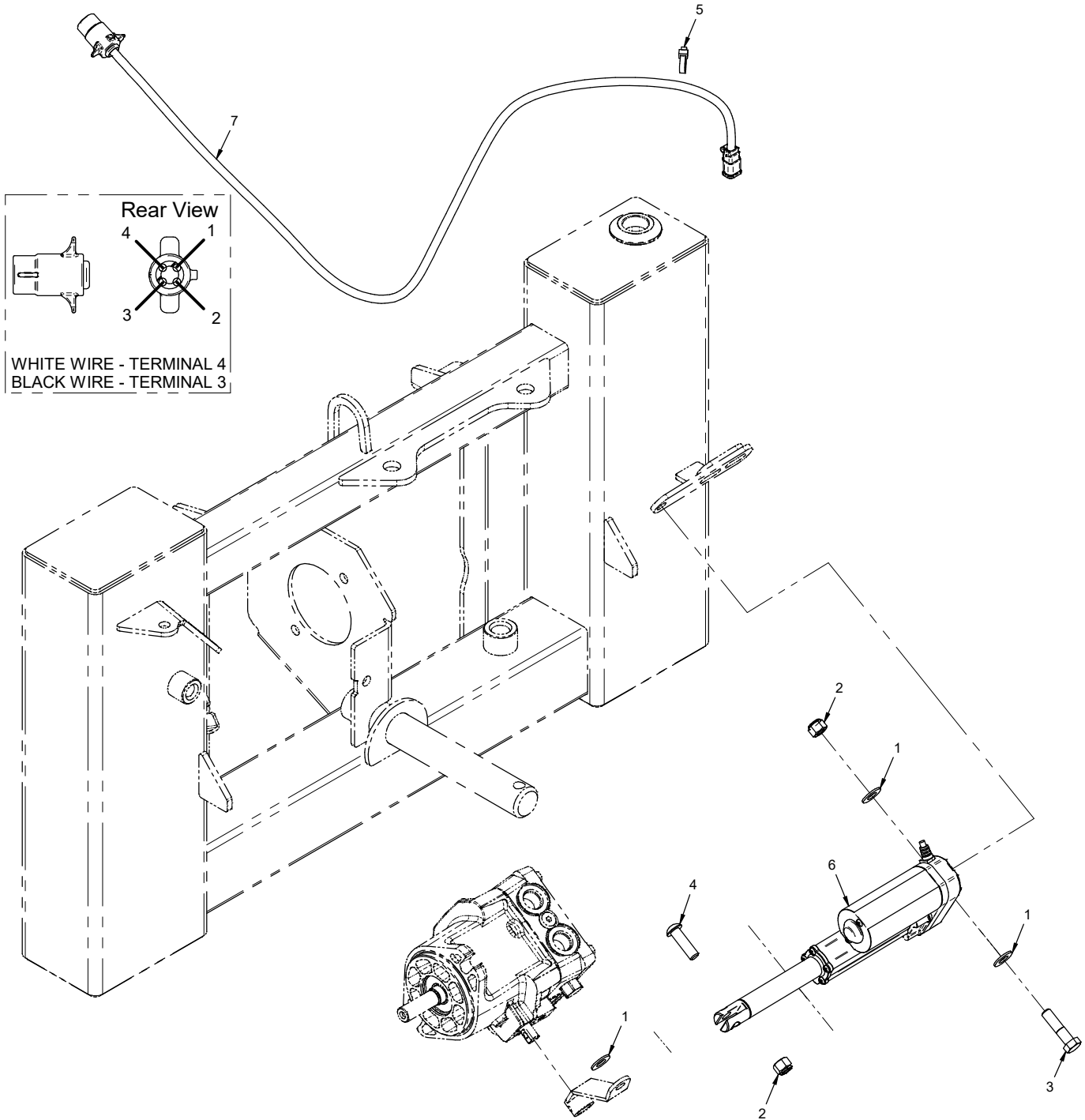
PARTS

Hydraulic Drive Circuit

REF.	PART NO.	DESCRIPTION	QTY.
1	95.04-3	.Washer, Flat 1/4 SAE SS	2
2	90.0404-3	.Bolt, 1/4-20 USS x 1/2 SS	2
3	21.0115	.Filter, Head 08 SAE Port	1
4	21.0001	.Filter, Hydraulic Zinga AE25	1
5	25.FF6802-08-08-CP	.Fitting, 45 Elbow - 8MFF x 8MB	1
6	25.FF6801-08-08-CP	.Fitting, 90 Elbow - 8MFF x 8MB	1
7	21.0095	.Pump, HYD. Hydrogear	1
7	89.0079	.Kit, Seal Hydrogear Pump	1
8	25.FF6400-08-06-CP	.Fitting, Connector 8MFF x 6MB	1
9	25.FF6801-06-06-CP	.Fitting, 90 Elbow - 6MFF x 6MB	2
10	25.FF6400-08-08-CP	.Fitting, Connector 8MFF x 8MB	3
11	44.0248	.Clamp, Hyd Hose 21.3mm ID 2 Cavity (Set of 2) (Serial # 01001-02124)	1
11	44.0400	.Clamp, Hyd Hose 21.3mm ID 2 Cavity (Set of 2) (Serial # 02125-)	1
12	44.0249	.Cover Plate, Group 3D (2 Cavity)	1
13	95.05-3	.Washer, Flat 5/16 SAE SS	1
14	90.0518-3	.Bolt, 5/16-18 USS x 2-1/4" SS	1
15	99.A05N-3	.Locknut, Nylon 5/16-18 SS	1
16	21.0132	.Motor, Hydraulic Gear (Serial # 01001-02124)	1
16	21.0152	.Motor, Hyd. Parker (Serial # 02125-)	1
17	25.FF6801-08-12-CP	.Fitting, 90 Elbow - 8MFF x 12MB (Serial # 01001-02124)	2
17	25.FF6801-08-10-CP	.Fitting, 90 Elbow 08MFF x 10MB (Serial # 02125-)	2
18	30.0037	.Tyton Tie, #50 .18 x 8 Black	3
19	20.0339	.Hose, 1/2x17.50 SAE 100R17AR	1
20	20.0340	.Hose, 1/2x23.50 SAE 100R17AR	1
21	20.0341	.Hose, 3/8x21.00 SAE 100R17AR	1
22	20.0337	.Hose, 1/2x46.00 SAE 100R17AR	1
23	20.0338	.Hose, 1/2x41.00 SAE 100R17AR (Serial # 01001-02124)	1
23	20.0337	.Hose, 1/2x46.00 SAE 100R17AR (Serial # 02125-)	1

PARTS

ILLUSTRATED DRAWING 70.8192 Optional 12V Actuator



PARTS

70.8192 Optional 12V Actuator

REF.	PART NO.	DESCRIPTION	QTY.
1	95.06-3	Washer, Flat 3/8 SAE SS	3
2	99.A06N-3	Locknut, Nylon 3/8-16 SS	2
3	90.0612-3	Bolt, 3/8-16 USS x 1-1/2 SS	1
4	99.0610-3	Bolt, 3/8-16 x 1-1/4 BSCS SS	1
5	30.0037	Tyton Tie, #50 .18 x 8 Black	5
6	37.0067	Actuator, 12V	1
7	32.0194	Harness, Wire NJ/NX Actuator	1