

Parts Manual

# ND540

Snow Plow

Serial Number ND540-AB01107 --



Revised 08/21/23  
09.20040 Rev. 01



500 Venture Drive  
Orrville Oh 44667  
www.ventrac.com

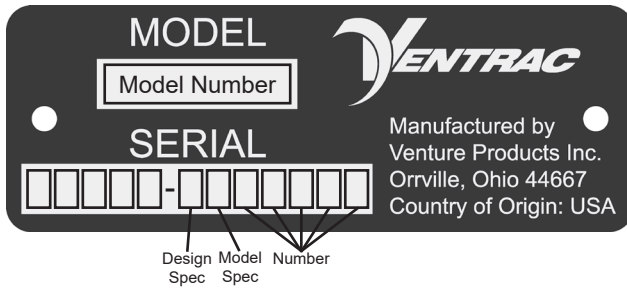
[View all manuals](#)



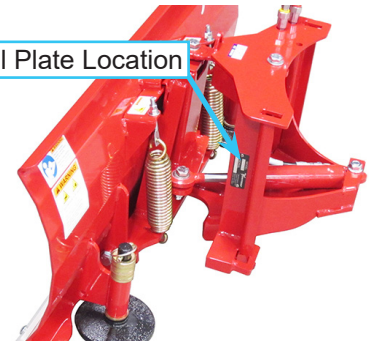
Visit [ventrac.com/manuals](http://ventrac.com/manuals) for the latest version of this operator's manual.

A downloadable parts manual is also available.

### Serial Number Description



Serial Plate Location



### Notes

- If any component requires replacement, use only original Ventrac replacement parts.
- When ordering new components, be sure to order all required safety decals. All current safety decals must be affixed to the replacement components prior to installation of the component.

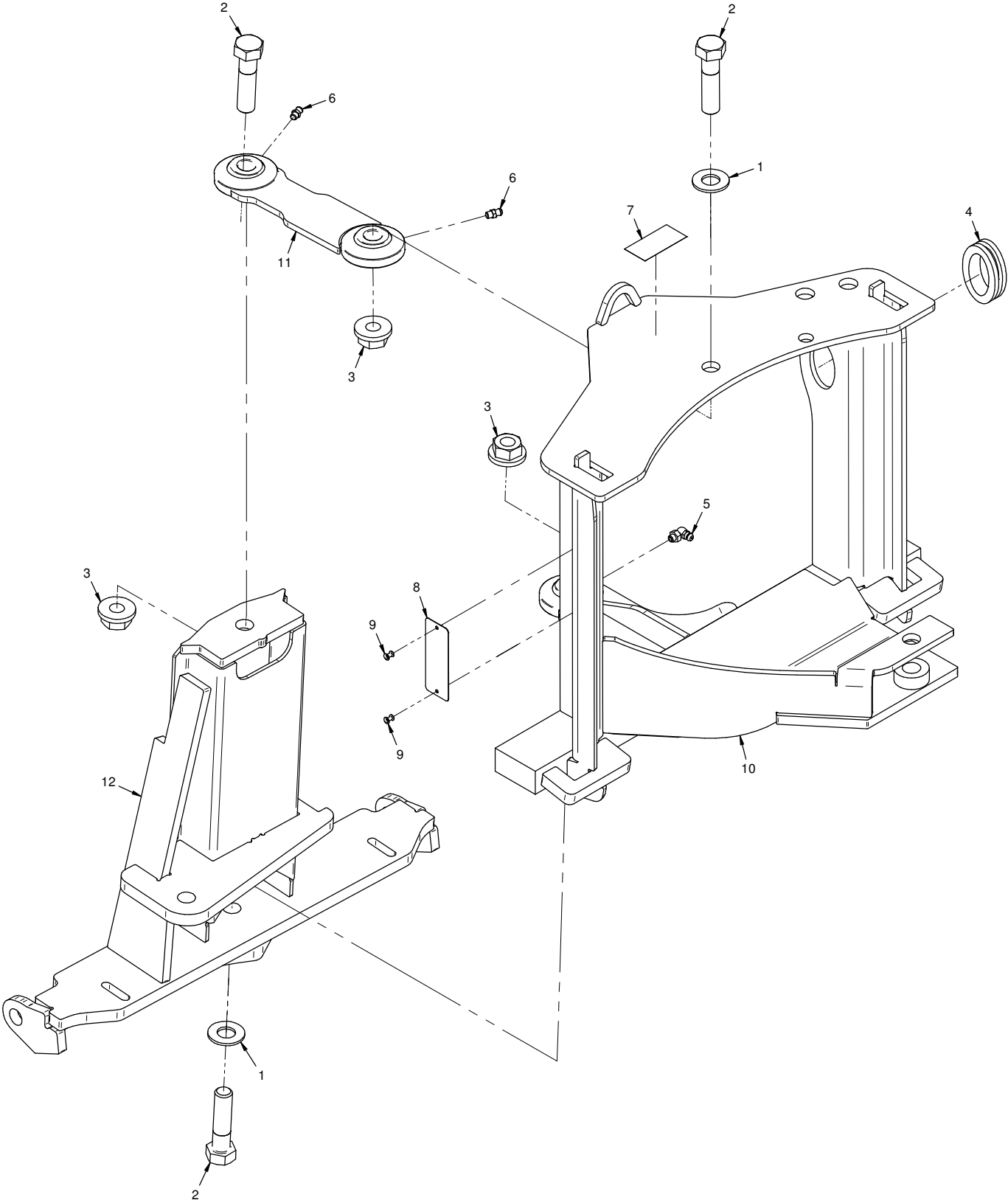
# TABLE OF CONTENTS

---

<b>PARTS</b>	<b>PAGE 4</b>
Hitch Frame & Upper Link.....	4
Blade Pivot Frame, Blade, & Cutting Edge .....	6
Hydraulic Power Angle .....	8
70.8190 Polyurethane Edge Kit .....	10

# PARTS

## ILLUSTRATED DRAWING Hitch Frame & Upper Link



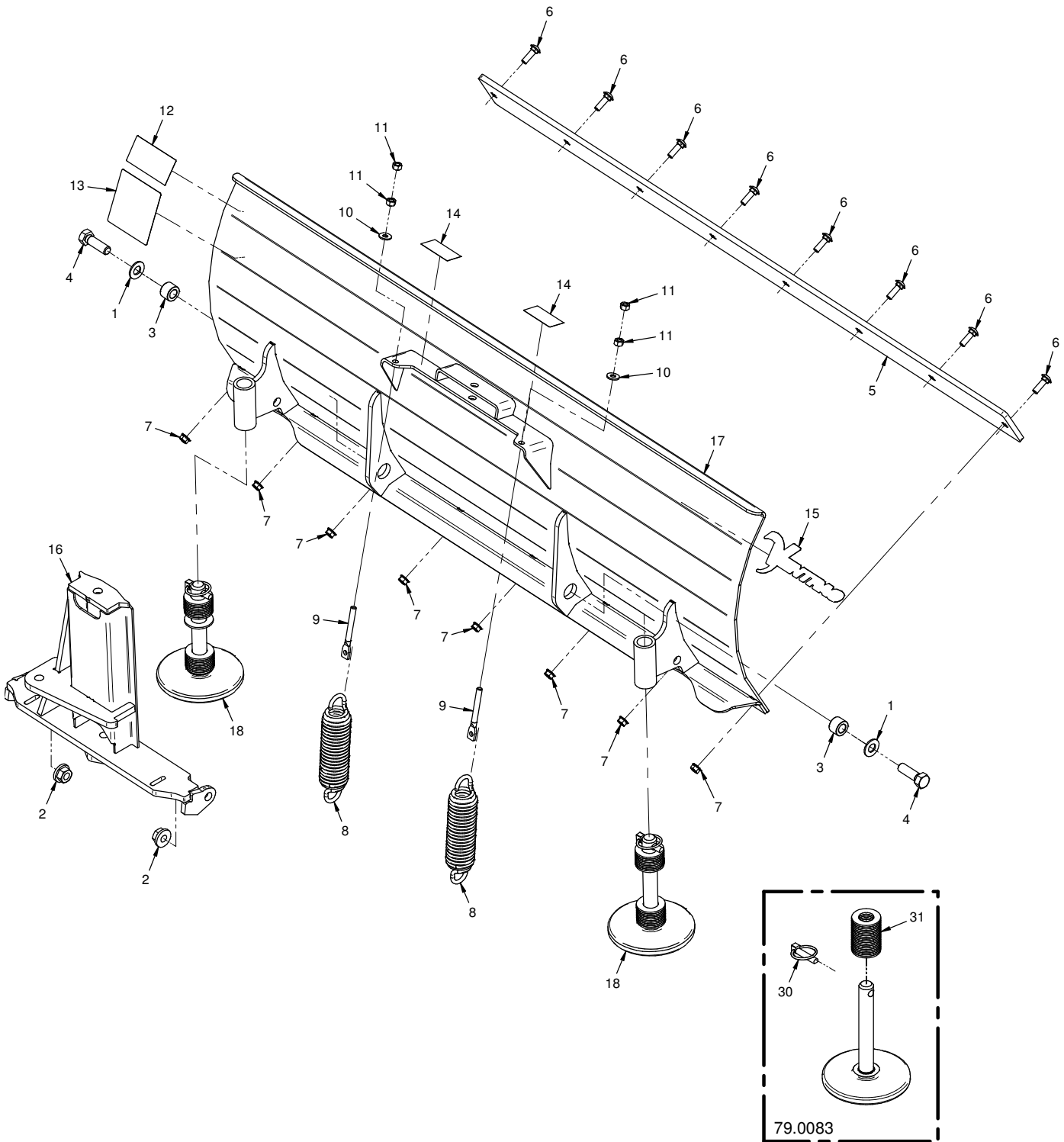
# PARTS

## Hitch Frame & Upper Link

REF.	PART NO.	DESCRIPTION	QTY.
1	95.10	.Washer, Flat 5/8 SAE	2
2	90.1020	.Bolt, 5/8-11 USS x 2-1/2	3
3	99.E0094	.Locknut, 5/8-11 Flanged Stover	3
4	05.0036	.Grommet, 1-1/2ID, 2-1/8OD, 9/16T	1
5	29.GF0002	.Grease Ftg, 1/4 SAE 90	1
6	29.GF0001	.Grease Ftg, 1/4 SAE ST	2
7	00.0100	.Decal, Made In USA	1
8	N/A	.Plate, Ventrac Serial Number	1
9	04.0029	.Rivet, Pop 1/8" X 1/4" SS	2
10	ND-6007	.Frame, Main Hitch	1
11	ND-6004	.Link, Upper Pivot	1
12	ND-6006	.Frame, Blade Pivot	1

# PARTS

## ILLUSTRATED DRAWING Blade Pivot Frame, Blade, & Cutting Edge



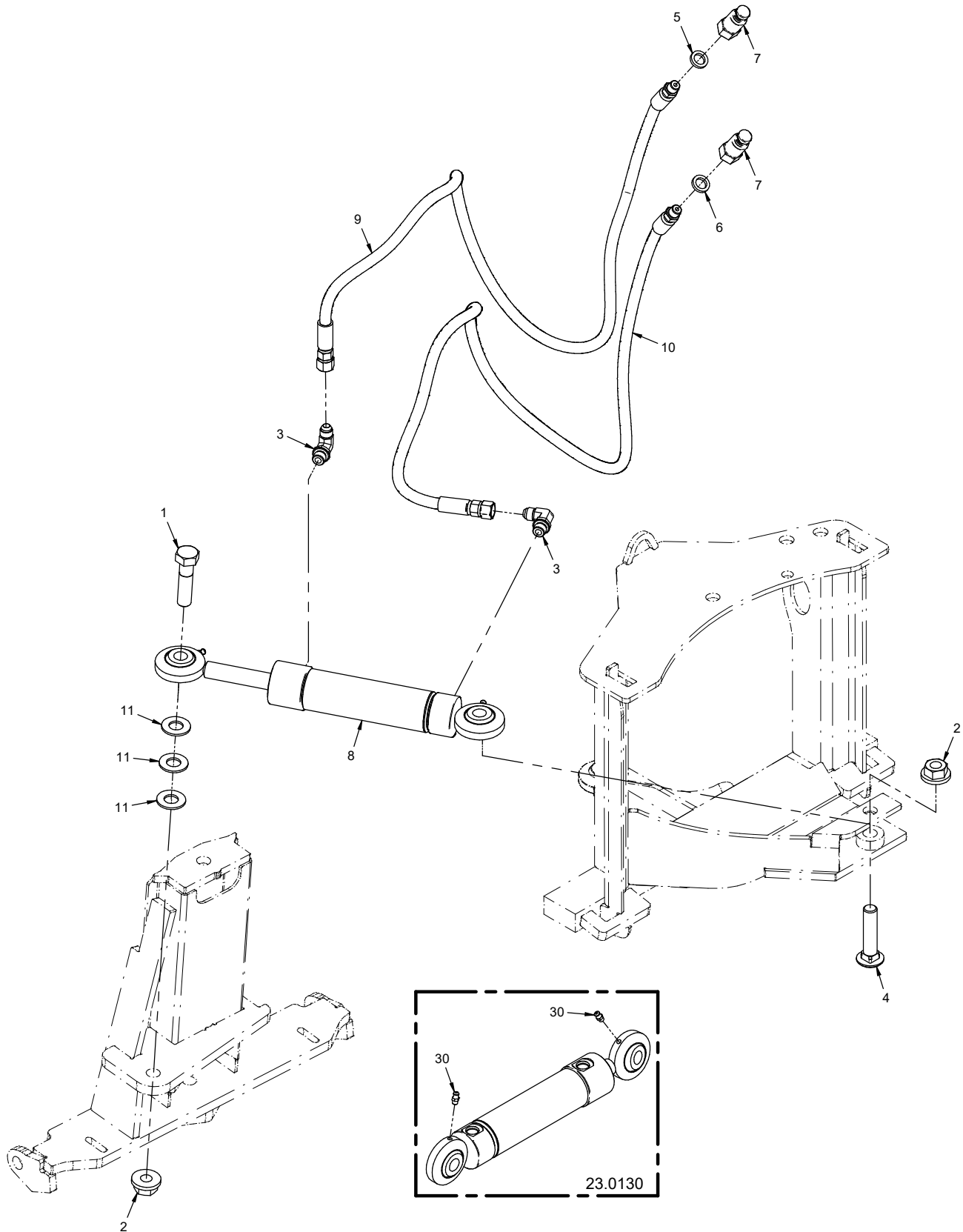
# PARTS

## Blade Pivot Frame, Blade, & Cutting Edge

REF.	PART NO.	DESCRIPTION	QTY.
1	95.10	.Washer, Flat 5/8 SAE	2
2	99.E0094	.Locknut, 5/8-11 Flanged Stover	2
3	64.1997	.Bushing, Blade Pivot	2
4	90.1016	.Bolt, 5/8-11 USS x 2	2
5	78.0066	.Cutting Edge, 3/8" x 4" x 54"	1
6	97.0610	.Bolt, Carriage 3/8-16 x 1-1/4	8
7	99.SF06	.Nut, SRF 3/8-16 USS	8
8	41.0129	.Spring, Ext 2" OD x 8" Lg	2
9	99.K0094	.Bolt, Hanger 3/8-16 X 4	2
10	94.05	.Washer, Flat 5/16 USS	2
11	92.06	.Nut, 3/8-16 USS	4
12	00.0217	.Decal, Warning Read Owners Man (Serial # 01001-01808)	1
12	00.0619	.Decal, Read Operator's (Serial # 01809-)	1
13	00.0103	.Decal, Hazard - High Press. Fluid (Serial # 01001-01808)	1
13	00.0621	.Decal, High Pressure Fluid (Serial # 01809-)	1
14	00.0218	.Decal, Warning Pinch Point (Serial # 01001-01808)	2
14	00.0364	.Decal, Warning Pinch Point (Serial # 01809-)	2
15	00.0383	.Decal, Ventrac	1
16	ND-6006	.Frame, Blade Pivot	1
17	ND-6005	.Blade, Main Weldment	1
18	79.0083	.Shoe, Skid Round Asm.	2
30	03.0005	.Pin, Linch	1
31	95.16	.Washer, Flat 1 SAE	19

# PARTS

## ILLUSTRATED DRAWING Hydraulic Power Angle





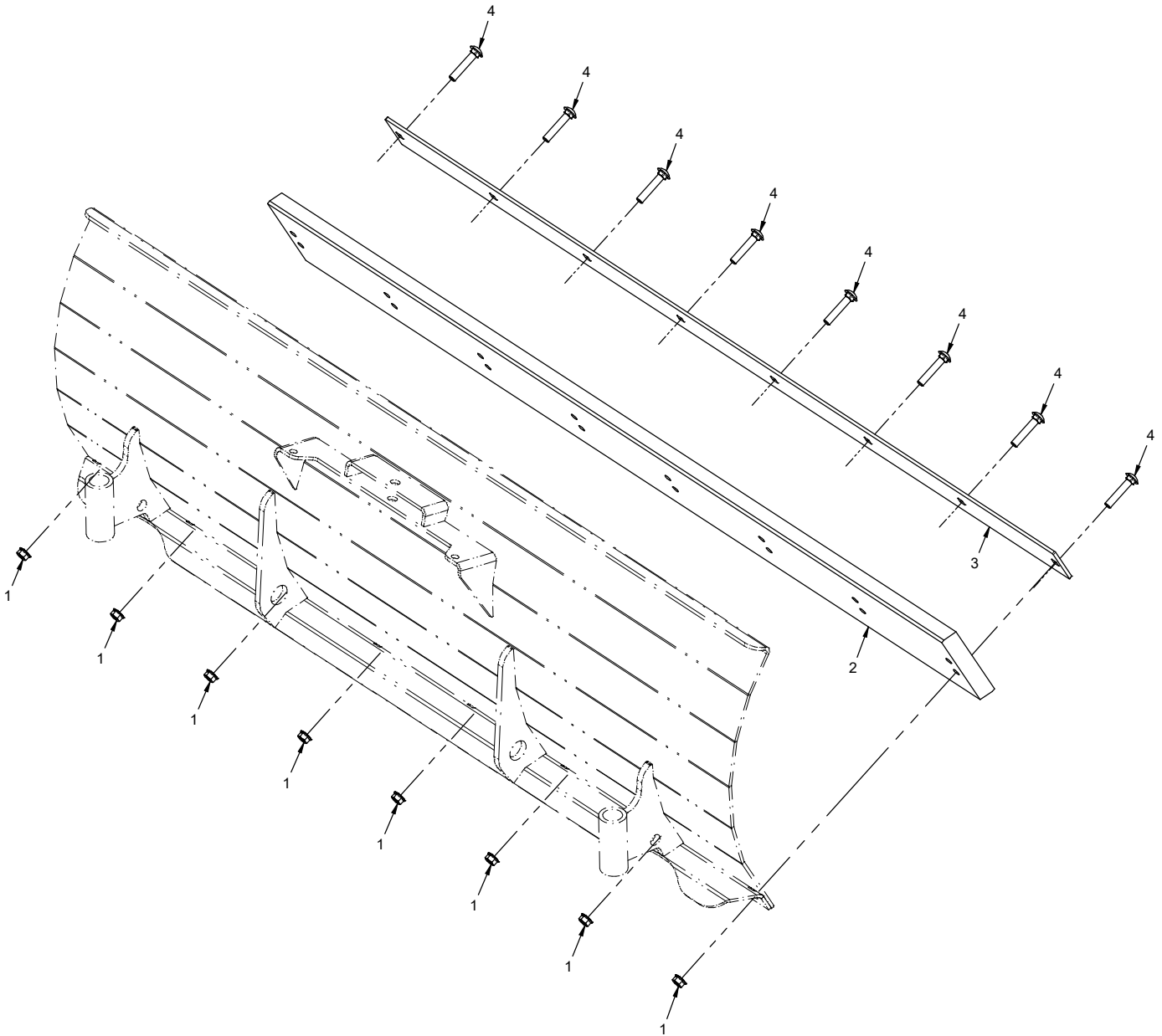
# PARTS

## Hydraulic Power Angle

REF.	PART NO.	DESCRIPTION	QTY.
1	90.1020	Bolt, 5/8-11 USS x 2-1/2	1
2	99.E0094	Locknut, 5/8-11 Flanged Stover	2
3	25.6801-06-06-CP	Fitting, 90 ME 3/8 x 3/8	2
4	97.1022	Bolt, Carriage 5/8-11 x 2-3/4	1
5	05.0116	Washer, .544 ID x .817 x .14 Red	1
6	05.0117	Washer, .544 ID x .817 x .14 Yel	1
7	23.0176	Coupler, Male Flat Face Quick 1/4	2
8	23.0130	Cylinder, 1-1/2" X 5"	1
9	20.0346	Hose, 1/4x30.00 SAE 100R17AR	1
10	20.0347	Hose, 1/4x35.00 SAE 100R17AR	1
11	95.10	Washer, Flat 5/8 SAE	3
30	29.GF0001	Grease Ftg, 1/4 SAE ST	2

# PARTS

## ILLUSTRATED DRAWING 70.8190 Polyurethane Edge Kit



# PARTS

## 70.8190 Polyurethane Edge Kit

REF.	PART NO.	DESCRIPTION	QTY.
1	99.SF06	Nut, SRF 3/8-16 USS	8
2	44.0401	Cutting Edge, Poly 1 x 6 x 54"	1
3	64.2008	Clamp, Poly Backer 53-1/2"	1
4	97.0616	Bolt, Carriage 3/8-16 x 2	8