

Parts Manual

# MS600

Side Discharge Finish Mower



Revised 08/25/23  
09.20041 Rev. 03



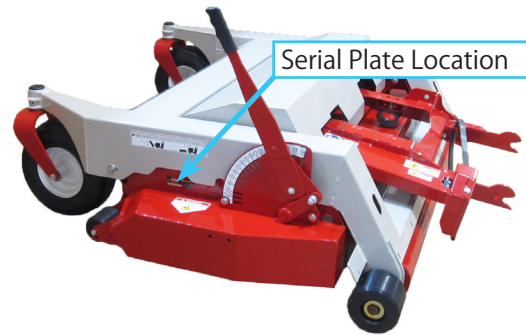
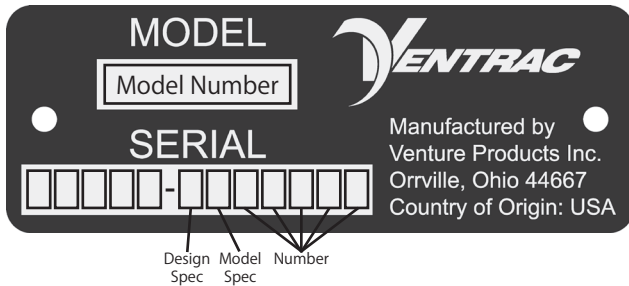
500 Venture Drive  
Orrville Oh 44667  
www.ventrac.com

View all manuals



Visit [ventrac.com/manuals](http://ventrac.com/manuals) for the latest version of this operator's manual. A downloadable parts manual is also available.

### Serial Number Description



### Notes

- If any component requires replacement, use only original Ventrac replacement parts.
- When ordering new components, be sure to order all required safety decals. All current safety decals must be affixed to the replacement components prior to installation of the component.

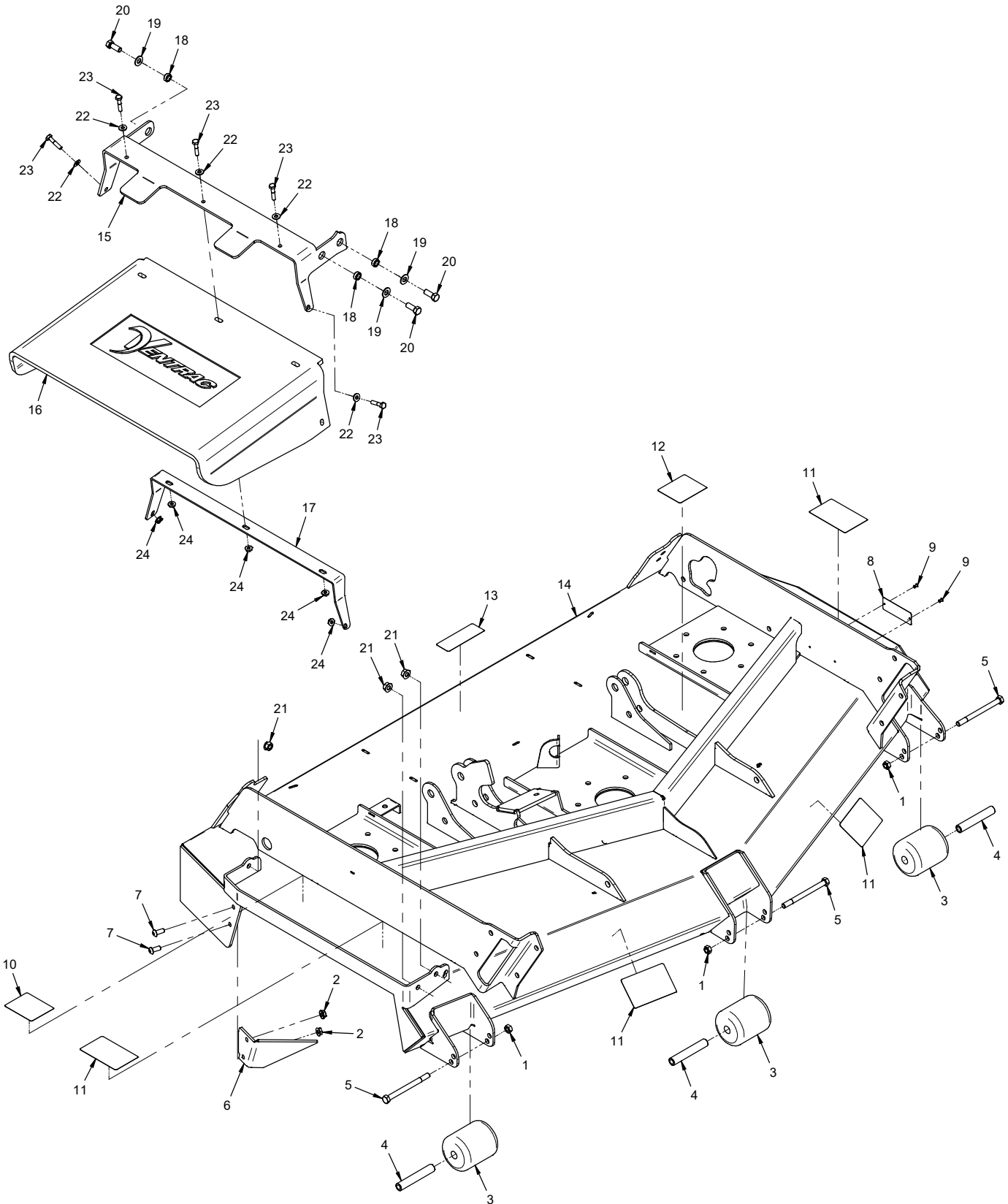
# TABLE OF CONTENTS

---

PARTS	PAGE 4
Main Frame, Discharge Chute & Baffle, Front Anti-Scalp Rollers .....	4
Carrier Frame & Wheels .....	6
Wheel Components .....	8
Hitch Arms.....	10
Drive Shaft & Attachment Belt .....	12
Main Deck Belt, Pulleys, & Belt Tensioner .....	14
Spindles & Blades .....	16
Rear Roller .....	18
Height Adjust Linkage & Deck Slides .....	20
Main Deck Cover Shield.....	22
70.8165 Mulching Kit.....	24
70.8163 & 70.8214 Hydraulic Flip Up Kit.....	26)

# PARTS

## ILLUSTRATED DRAWING Main Frame, Discharge Chute & Baffle, Front Anti-Scalp Rollers



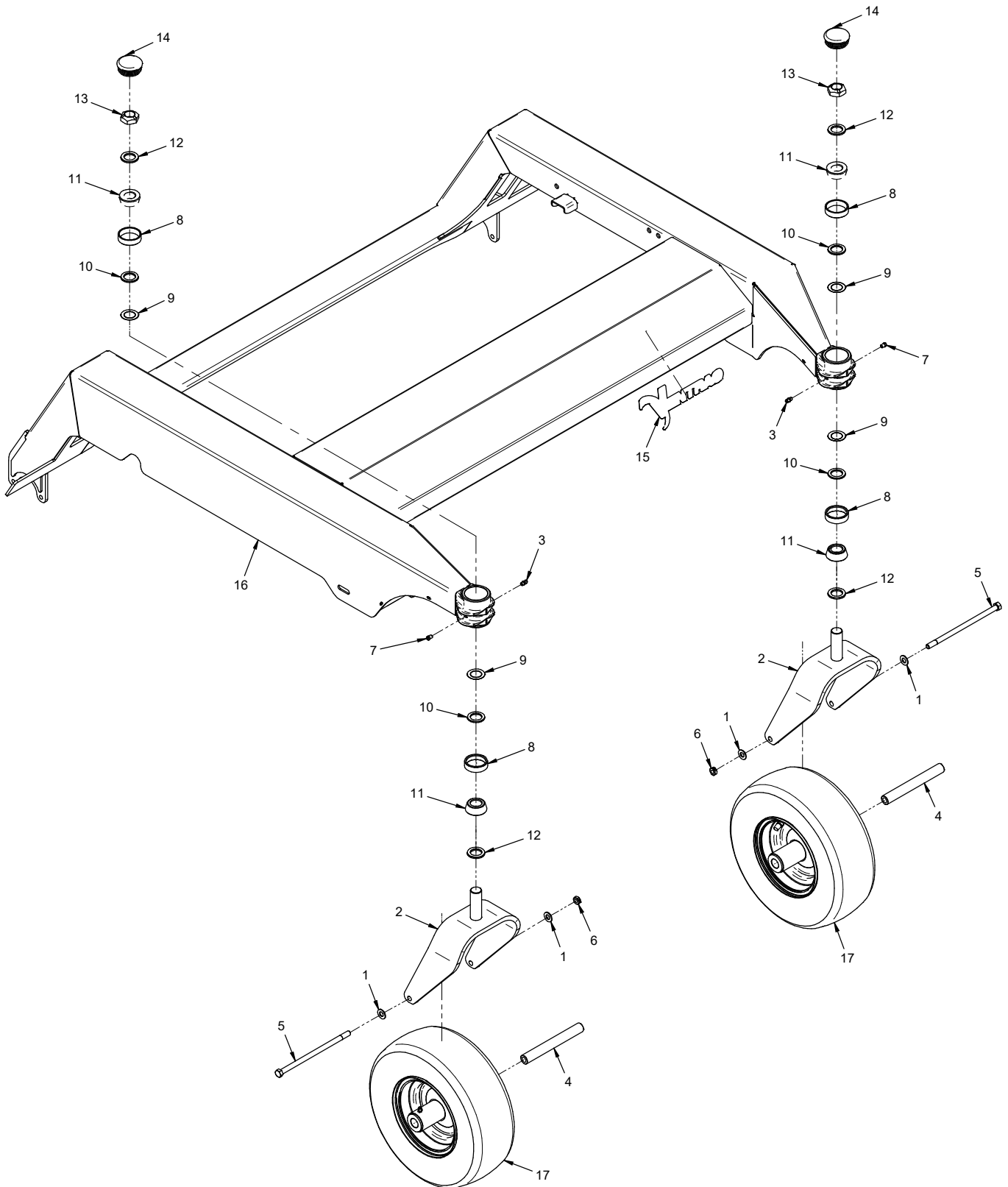
# PARTS

## Main Frame, Discharge Chute & Baffle, Front Anti-Scalp Rollers

REF.	PART NO.	DESCRIPTION	QTY.
1	99.A06	Locknut, Stover 3/8-16 USS	3
2	99.SF05	Nut, SRF 5/16-18 USS	2
3	50.0047	Roller, Front 3" Dia X 3-1/2"	3
4	50.0046	Tube, Axle Front Roller	3
5	90.0636	Bolt, 3/8-16 USS x 4-1/2	3
6	60.1293	Baffle, Discharge	1
7	99.0506	Bolt, 5/16-18 x 3/4 BSCS	2
8	N/A	Plate, Ventrac Serial Number	1
9	04.0003	Rivet, Pop 1/8 X 3/8 SS	2
10	00.0122	Decal, Thrown Object Hazard (Serial # 01001-02312)	1
10	00.0627	Decal, Thrown Object Hazard (Serial # 02313-)	1
11	00.0123	Decal, Keep Hands & Feet Clear (Serial # 01001-02312)	4
11	00.0628	Decal, Cutting Hazard Mower Blade (Serial # 02313-)	4
12	00.0062	Decal, Danger Shield Missing (Serial # 01001-02312)	1
12	00.0625	Decal, Shield Missing (Serial # 02313-)	1
13	00.0102	Decal, Danger - Pinching Hazard (Serial # 01001-02312)	1
13	00.0620	Decal, Pinching or Crushing Hazard (Serial # 02313-)	1
14	62.1459	Frame, Deck Weldment MS600	1
15	64.1933	Bracket, Discharge Chute	1
16	44.0384	Rubber, MS Mower Chute	1
17	64.1942	Strap, Discharge Chute	1
18	64.0602	Bushing, 3/8 x 5/8 x .265	3
19	95.06	Washer, Flat 3/8 SAE	3
20	90.0608	Bolt, 3/8-16 USS x 1	3
21	99.SF06	Nut, SRF 3/8-16 USS	3
22	95.04	Washer, Flat 1/4 SAE	5
23	90.0410	Bolt, 1/4-20 USS x 1/1-4	5
24	99.SF04	Nut, SRF 1/4-20 USS	5

# PARTS

## ILLUSTRATED DRAWING Carrier Frame & Wheels



# PARTS

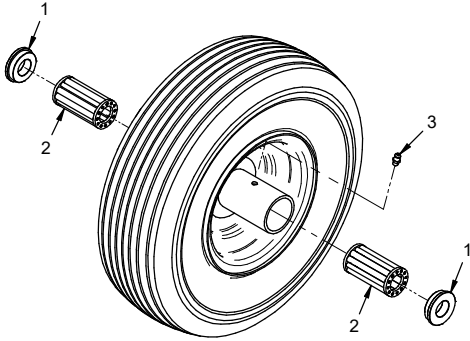
## Carrier Frame & Wheels

REF.	PART NO.	DESCRIPTION	QTY.
1.....	95.06.....	Washer, Flat 3/8 SAE.....	4
2.....	50.0195.....	Yoke, Caster 13" Wheel.....	2
3.....	29.GF0001.....	Grease Ftg, 1/4 SAE ST.....	2
4.....	50.0050.....	Tube, Swivel Axle.....	2
5.....	90.0660.....	Bolt, 3/8-16 USS x 7-1/2.....	2
6.....	99.A06C.....	Locknut, Center 3/8-16.....	2
7.....	29.GF0011.....	Grease Ftg, Plug 1/4-28.....	2
8.....	55.LM12710.....	Bearing, Cup.....	4
9.....	85.B0101.....	Bushing, .005 Spacer.....	4
10.....	85.B0099.....	Bushing, .875ID x 1.375OD x .120T.....	4
11.....	55.LM12749LA2.....	Bearing, Taper Roller Cone.....	4
12.....	99.B0119.....	Washer, Mach 7/8 x 1-3/8 x 10 GA.....	4
13.....	99.M0047.....	Locknut, Stover M22 X 1.5 ZP.....	2
14.....	05.0172.....	Plug, Ribbed Black LDPE.....	2
15.....	00.0383.....	Decal, Ventrac.....	1
16.....	62.1456.....	Frame, Main Carrier MS600.....	1
17.....	53.0155.....	Wheel, Asm 13 x 5 x 6 Caster (Serial # 01001-02180).....	2
17.....	53.0148.....	Wheel, Asm 13x5x6 Rib Flatfree (Optional - white rim).....	2
17.....	53.0216.....	Wheel, Asm 13 x 5 x 6 Caster (Serial # 02181 -02240).....	2
17.....	53.0213.....	Wheel, Asm 13 x 5 x 6 Caster (Serial # 02241-).....	2
17.....	53.0214.....	Wheel, Asm 13 x 5 x 6 Caster (Optional - black rim).....	2

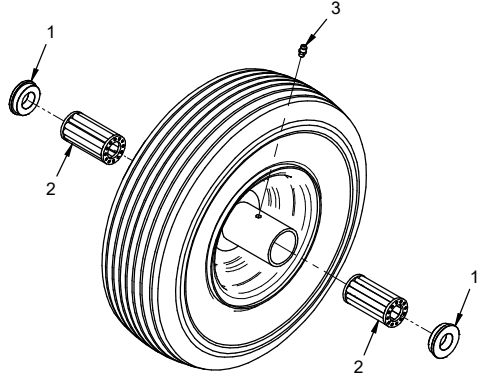
# PARTS

## ILLUSTRATED DRAWING Wheel Components

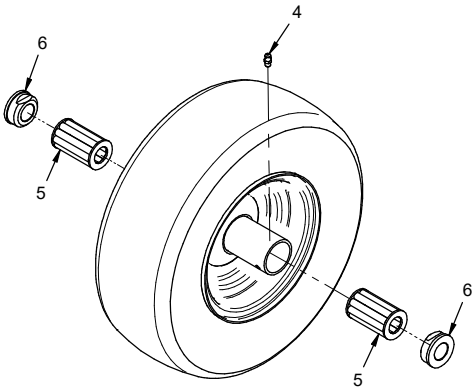
53.0155 - Standard White Rim (Serial # 01001-02180)



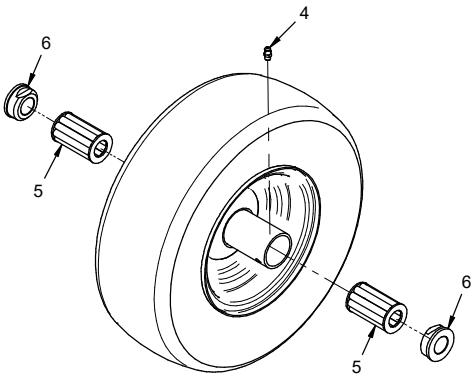
53.0148 - Optional Flatfree White Rim



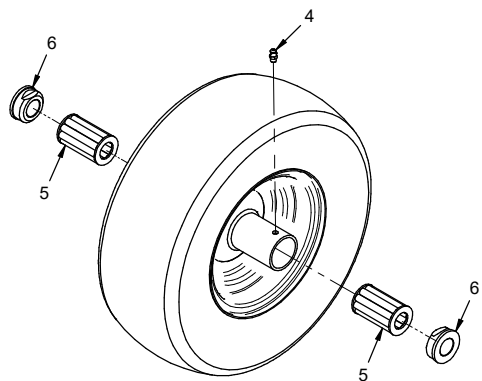
53.0216 - Standard White Rim (Serial # 02181-02240)



53.0213 - Standard Black Rim (Serial # 02241-)



53.0214 - Optional Flatfree Black Rim





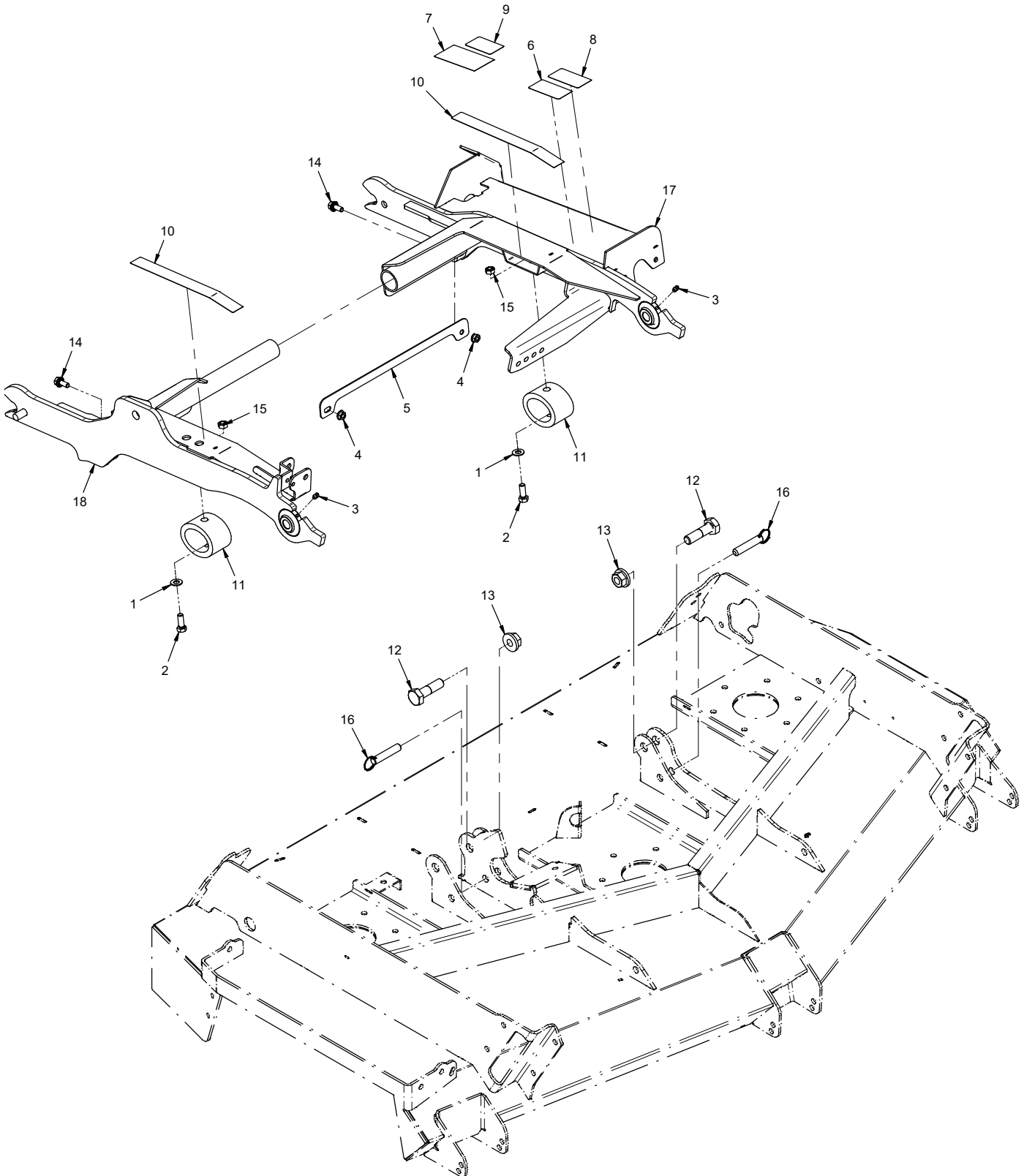
# PARTS

## Wheel Components

REF.	PART NO.	DESCRIPTION	QTY.
1.....	55.0072 .....	Bearing, Retainer 3/4" .....	2
2.....	55.0088 .....	Bearing, Roller Replacement .....	2
3.....	29.GF0001 .....	Grease Ftg, 1/4 SAE ST .....	1
4.....	29.GF0001 .....	Grease Ftg, 1/4 SAE ST .....	1
5.....	55.0116 .....	Bearing, Roller 2.25" Long. ....	2
6.....	55.0114 .....	Retainer, Roller Bearing 3/4" .....	2

# PARTS

## ILLUSTRATED DRAWING Hitch Arms



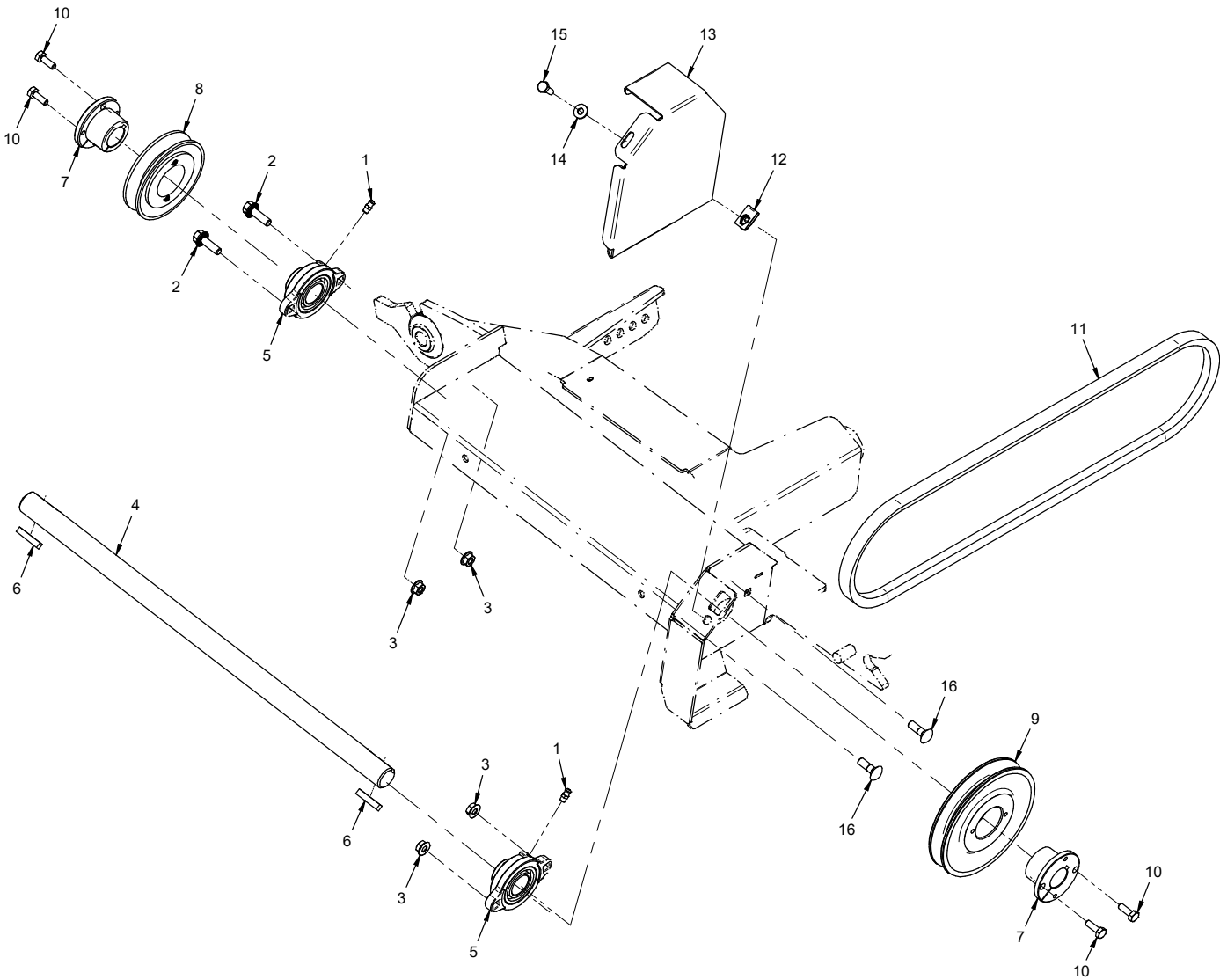
# PARTS

## Hitch Arms

REF.	PART NO.	DESCRIPTION	QTY.
1	95.06	Washer, Flat 3/8 SAE	2
2	90.0608	Bolt, 3/8-16 USS x 1	2
3	29.GF0001	Grease Ftg, 1/4 SAE ST	2
4	99.SF05	Nut, SRF 5/16-18 USS	2
5	64.1934	Brace, Hitch Arm Spacing	1
6	00.0217	Decal, Warning Read Owners Man (Serial # 01001-02312)	1
6	00.0619	Decal, Read Operator's Manual (Serial # 02313-)	1
7	00.0220	Decal, General Safety (Serial # 01001-02312)	1
8	00.0219	Decal, Warning Do Not Reach (Serial # 01001-02312)	1
8	00.0632	Decal, Moving Parts Hazard (Serial # 02313-)	1
9	00.0216	Decal, Warning Moving Parts (Serial # 01001-02312)	1
9	00.0631	Decal, Finger/Hand Entanglement (Serial # 02313-)	1
10	00.0427	Decal, Wear Resistant	2
11	05.0169	Bumper, Elastomer 1300 LBS PF	2
12	99.K0111	Bolt, 5/8-11 X 2-1/4 Grd A325	2
13	99.E0094	Locknut, 5/8-11 Flanged Stover	2
14	99.SF0506	Bolt, SRF 5/16-18 USS X 3/4	2
15	99.A06	Locknut, Stover 3/8-16 USS	2
16	03.0007	Pin, Ball 1/2 x 1.8"	2
17	62.1452	Hitch, Arm Left MS720	1
18	62.1453	Hitch, Arm Right MS720	1

# PARTS

## ILLUSTRATED DRAWING Drive Shaft & Attachment Belt



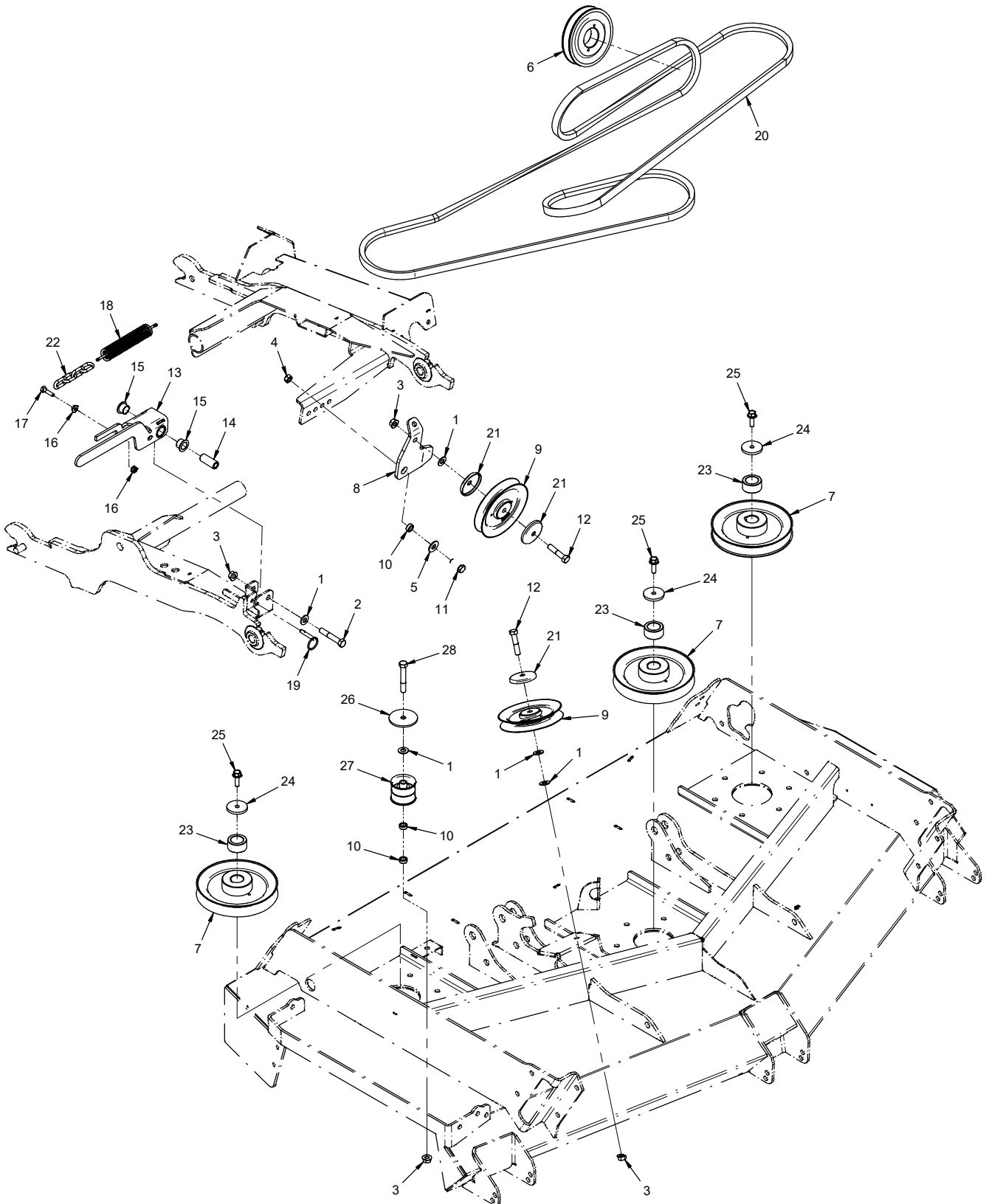
# PARTS

## Drive Shaft & Attachment Belt

REF.	PART NO.	DESCRIPTION	QTY.
1	29.GF0001	Grease Ftg, 1/4 SAE ST	2
2	99.SF0508	Bolt, SRF 5/16-18 USS X 1	2
3	99.SF05	Nut, SRF 5/16-18 USS	4
4	80.0389	Shaft, Hitch Arm	1
5	55.FB16016-1	Bearing, Flange Block 1"	2
6	85.K0410	Key, 1/4 X 1-1/4	2
7	83.H16S	Bushing, 1" Split 1/4" Key	2
8	83.BK50H	Pulley, 5" H-Bushing (Serial # 01001-02144)	1
8	83.BK40H	Pulley, 4" H-Bush (Serial # 02145-)	1
9	83.BK55H	Pulley, 5.5" H-Bush	1
10	90.0406	Bolt, 1/4-20 USS x 3/4"	4
11	81.B045	Belt, B45	1
12	99.E0046	Nut, "U" 1/4-20 Extruded	1
13	60.0665	Shield, Drive Pulley	1
14	95.04	Washer, Flat 1/4 SAE	1
15	90.0406	Bolt, 1/4-20 USS x 3/4"	1
16	99.SF0508	Bolt, SRF 5/16-18 USS X 1 (Serial # 01001-02000)	2
16	97.0508	Bolt, Carriage 5/16 x 1" (Serial # 02001-)	2

# PARTS

## ILLUSTRATED DRAWING Main Deck Belt, Pulleys, & Belt Tensioner



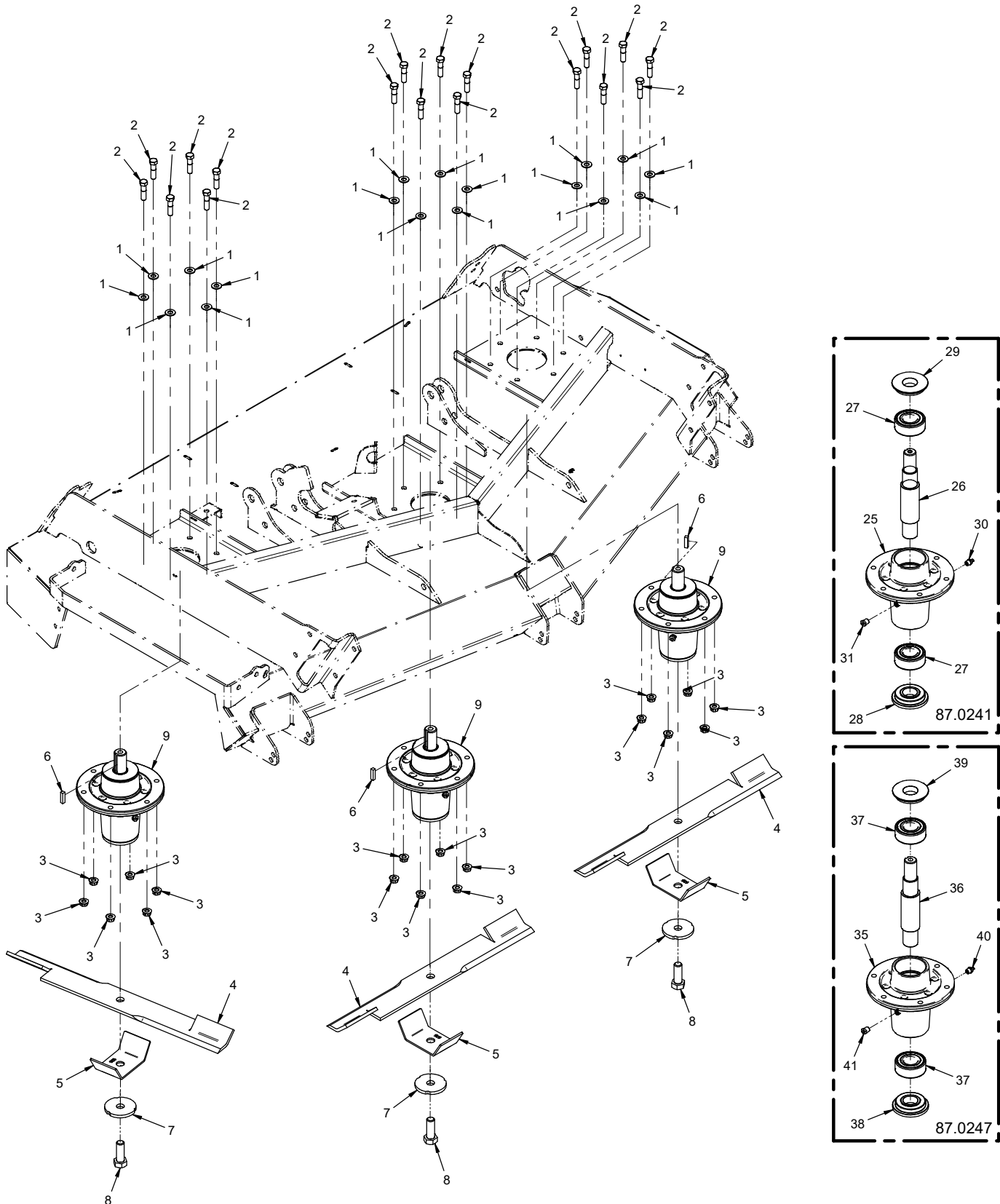
# PARTS

## Main Deck Belt, Pulleys, & Belt Tensioner

REF.	PART NO.	DESCRIPTION	QTY.
1	95.06	Washer, Flat 3/8 SAE	.5
2	90.0618	Bolt, 3/8-16 USS x 2-1/4	.1
3	99.SF06	Nut, SRF 3/8-16 USS	.4
4	99.A06	Locknut, Stover 3/8-16 USS	.1
5	94.06	Washer, Flat 3/8 USS	.1
6	83.BK50H	Pulley, 5" H-Bushing (Serial # 01001-02144)	.1
6	83.BK40H	Pulley, 4" H-Bush (Serial # 02145-)	.1
7	83.0064	Pulley, 6-1/2, 25MM Str. Bore	.3
8	40.0399	Idler Arm, Belt Tension	.1
9	83.0031	Pulley, V-Idler 5-1/16 X 3/8ID	.2
10	64.0602	Bushing, 3/8 x 5/8 x .265	.3
11	99.SF0608	Bolt, SRF 3/8-16 USS x 1	.1
12	90.0614	Bolt, 3/8-16 USS x 1-3/4	.2
13	70.8218	Kit, Belt Tension/Cylinder Lock (2 parts)	.1
14	64.1936	Bushing, Belt Tension Pivot	.1
15	85.B0088	Bushing, 5/8 ID X 3/4 OD X 1/2	.2
16	99.SF04	Nut, SRF 1/4-20 USS	.2
17	90.0408	Bolt, 1/4-20 USS x 1	.1
18	41.0048	Spring, Ext. 1 OD X 6	.1
19	03.0022	Pin, Ball 1/4" x 1"	.1
20	81.0161	Belt, B158 Custom	.1
21	60.1056	Cover, Pulley	.3
22	81.0160	Chain, 1/8 Plated x 4 Links	.1
23	64.1976	Bushing, 1ID X 1.5OD X .750L	.3
24	99.B0128	Washer, .323 ID x 1.50 OD (Serial # 01001-01364)	.3
24	99.B0134	Washer, .448 ID x 1.50 OD (Serial # 01365-)	.3
25	99.SF0508-8	Bolt, SRF 5/16-18 X 1 GR8 (Serial # 01001-01364)	.3
25	91.0708-8	Bolt, 7/16-20 x 1 Gr8 (Serial # 01365-)	.3
26	99.B0120	Washer, 2-1/4OD x 13/32ID x 10GA	.1
27	83.0068	Pulley, Idler Flat 3/8 x 2	.1
28	90.0620	Bolt, 3/8-16 USS x 2-1/2	.1

# PARTS

## ILLUSTRATED DRAWING Spindles & Blades





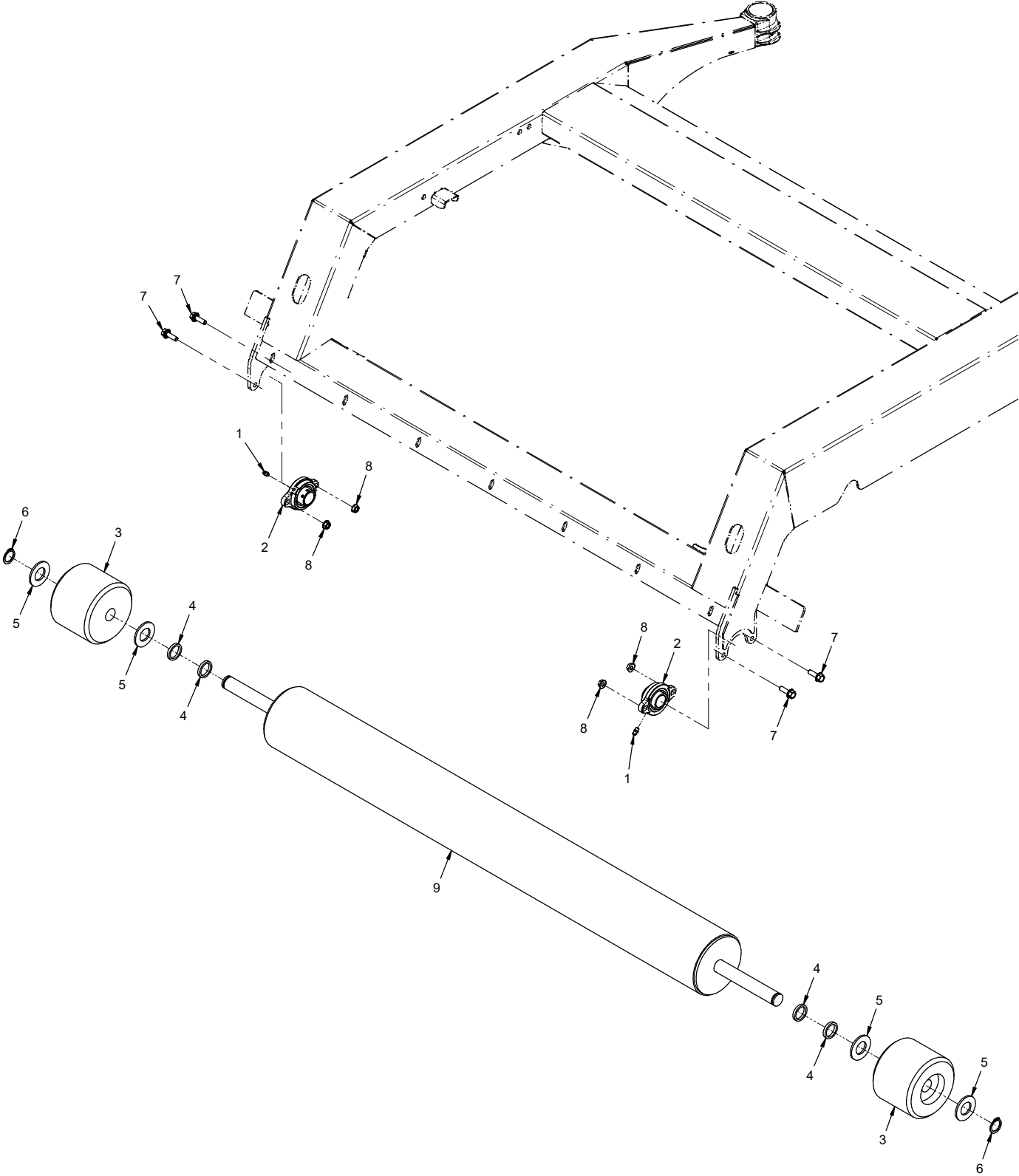
# PARTS

## Spindles & Blades

REF.	PART NO.	DESCRIPTION	QTY.
1	95.06	Washer, Flat 3/8 SAE	18
2	90.0612	Bolt, 3/8-16 USS x 1-1/2	18
3	99.E0082	Nut, Locking Flange 3/8-16	18
4	79.0109	Blade, 21 X 5/8 RH S Highlift	3
4	79.0108	Blade, 21x5/8 RH S Lowlift (Optional)	3
4	79.0110	Blade, 21x5/8 RH S Gator (Optional)	3
4	79.0111	Blade, 21x5/8 RH F Mulch (Optional)	3
5	64.2003	Guard, Spindle/Anti-String	3
6	85.K0408	Key, 1/4 X 1	3
7	99.B0097	Washer, .635 ID X 2-1/2 OD 1/4	3
8	91.1014	Bolt, 5/8-18 SAE x 1-3/4	3
9	87.0241	Spindle, Asm HD RH (Serial # 01001-01364)	3
9	87.0247	Spindle, Asm HD Al RH (Serial # 01365-)	3
25	87.0241-1	Housing, Spindle AL	1
26	87.0241-2	Shaft, Spindle RH	1
27	55.0095	Bearing, Ball 30MM x 62MM	2
28	87.0224-3	Shield, Spindle Bottom	1
29	87.0225-3	Shield, Spindle Top	1
30	29.GF0004	Grease Ftg, 1/8 NPT St	1
31	29.GF0017	Fitting, Relief	1
35	87.0241-1	Housing, Spindle AL	1
36	87.0247-2	Shaft, Spindle RH	1
37	55.0095	Bearing, Ball 30MM x 62MM	2
38	87.0224-3	Shield, Spindle Bottom	1
39	87.0225-3	Shield, Spindle Top	1
40	29.GF0004	Grease Ftg, 1/8 NPT St	1
41	29.GF0017	Fitting, Relief	1

# PARTS

## ILLUSTRATED DRAWING Rear Roller



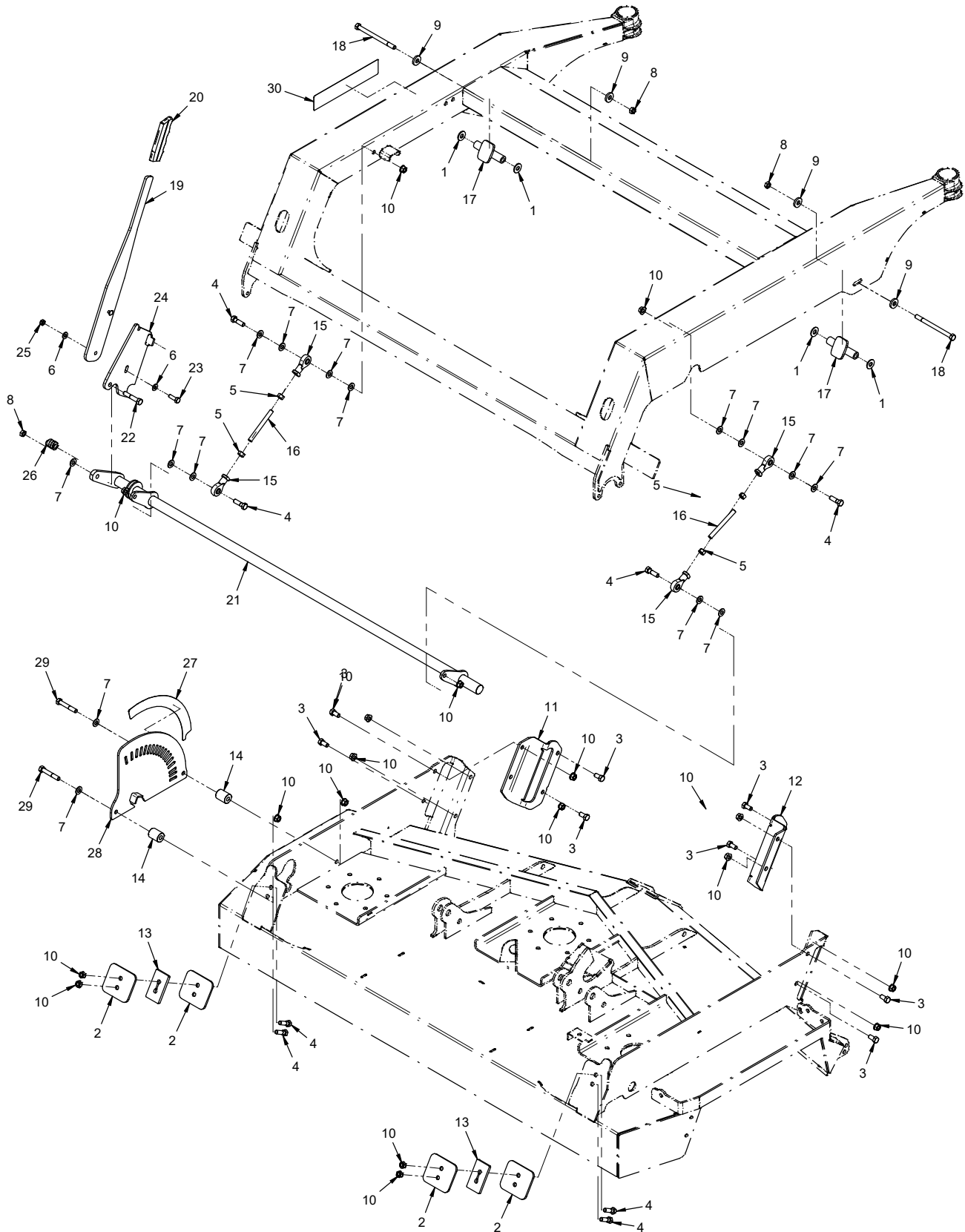
# PARTS

## Rear Roller

REF.	PART NO.	DESCRIPTION	QTY.
1.....	29.GF0001.....	Grease Ftg, 1/4 SAE ST.....	2
2.....	55.FB16016-2.....	Bearing, 2 Bolt Flange 1".....	2
3.....	50.0194.....	Roller, End 5" Dia x 4" Long.....	2
4.....	64.1930.....	Spacer, Rear Roller End.....	4
5.....	95.16.....	Washer, Flat 1 SAE.....	4
6.....	04.0025.....	Snap Ring, Ext.1 Shft .078 Thk.....	2
7.....	99.SF0508.....	Bolt, SRF 5/16-18 USS X 1.....	4
8.....	99.SF05.....	Nut, SRF 5/16-18 USS.....	4
9.....	80.0390.....	Roller, Rear MS600.....	1

# PARTS

## ILLUSTRATED DRAWING Height Adjust Linkage & Deck Slides



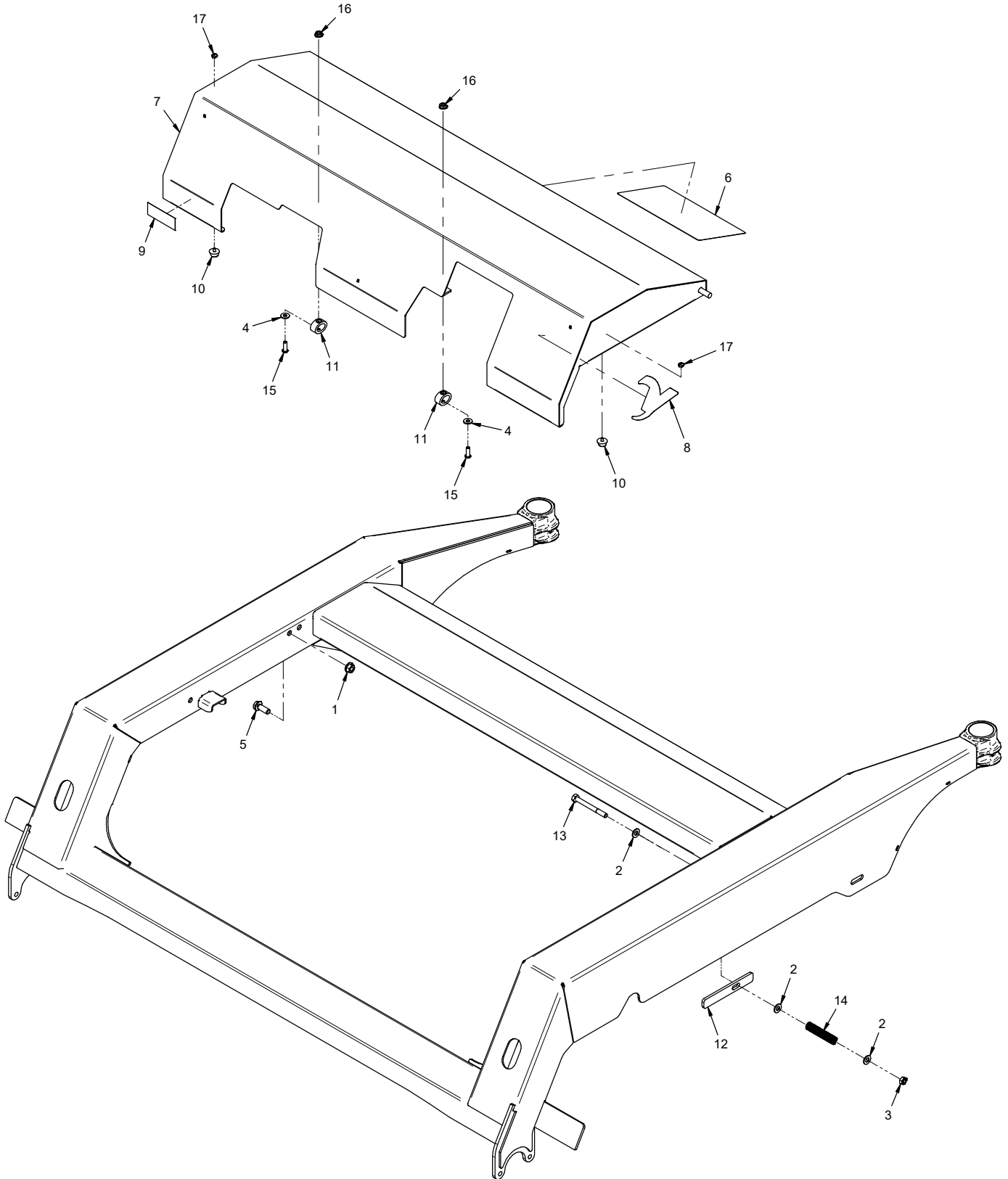
# PARTS

## Height Adjust Linkage & Deck Slides

REF.	PART NO.	DESCRIPTION	QTY.
1	94.06	Washer, Flat 3/8 USS	4
2	64.1179	Plate, Rear Slide Retainer	4
3	90.0606	Bolt, 3/8-16 USS x 3/4	8
4	90.0610	Bolt, 3/8-16 USS x 1-1/4	8
5	93.06	Nut, Hex 3/8-24 UNF	4
6	95.05	Washer, Flat 5/16 SAE	2
7	95.06	Washer, Flat 3/8 SAE	15
8	99.A06	Locknut, Stover 3/8-16 USS	3
9	99.G0014	Washer, 3/8 USS FW .165 Thk	4
10	99.SF06	Nut, SRF 3/8-16 USS	18
11	64.1904	Bracket, Front Slide Left	1
12	64.1905	Bracket, Front Slide Right	1
13	64.1181	Spacer, Rear Slide	2
14	64.0905	Tube, RD 7/16 X 1 X 1-1/4L	2
15	43.006	Rod End, 3/8 Spherical, Female	4
16	99.J0630NFZ	Rod, Threaded 3/8-24 x 5-3/8	2
17	64.1180	Tube, Front Slide	2
18	90.0640	Bolt, Hex 3/8-16 UNC x 5	2
19	64.1911	Lever, Height Adjuster	1
20	47.0086	Grip, Slip-On Handle - Black	1
21	42.0582	Shaft, Ht Adj Crossbar MS600	1
22	90.0612	Bolt, Hex 3/8-16 USS x 1-1/2 (Serial # 01001-01124)	1
22	90.0616	Bolt, Hex 3/8-16 USS x 2 (Serial # 01125-)	1
23	90.0508	Bolt, Hex 5/16-18 UNC x 1"	1
24	64.1910	Bracket, Height Adjuster	1
25	99.A05	Locknut, Stover 5/16-18 USS	1
26	41.0039	Spring, Comp 9/16 OD x 5/8 (Serial # 01001-01124)	1
26	41.0119	Spring, Comp .785 OD x 1 LG (Serial # 01125-)	1
27	00.0425	Decal, Cut Height Position	1
28	64.1961	PLATE, HEIGHT ADJUST SELECTOR	1
29	90.0618	Bolt, Hex 3/8-16 UNC x 2-1/4	2
30	00.0426	Decal, Cut Height Position Key	1

# PARTS

## ILLUSTRATED DRAWING Main Deck Cover Shield



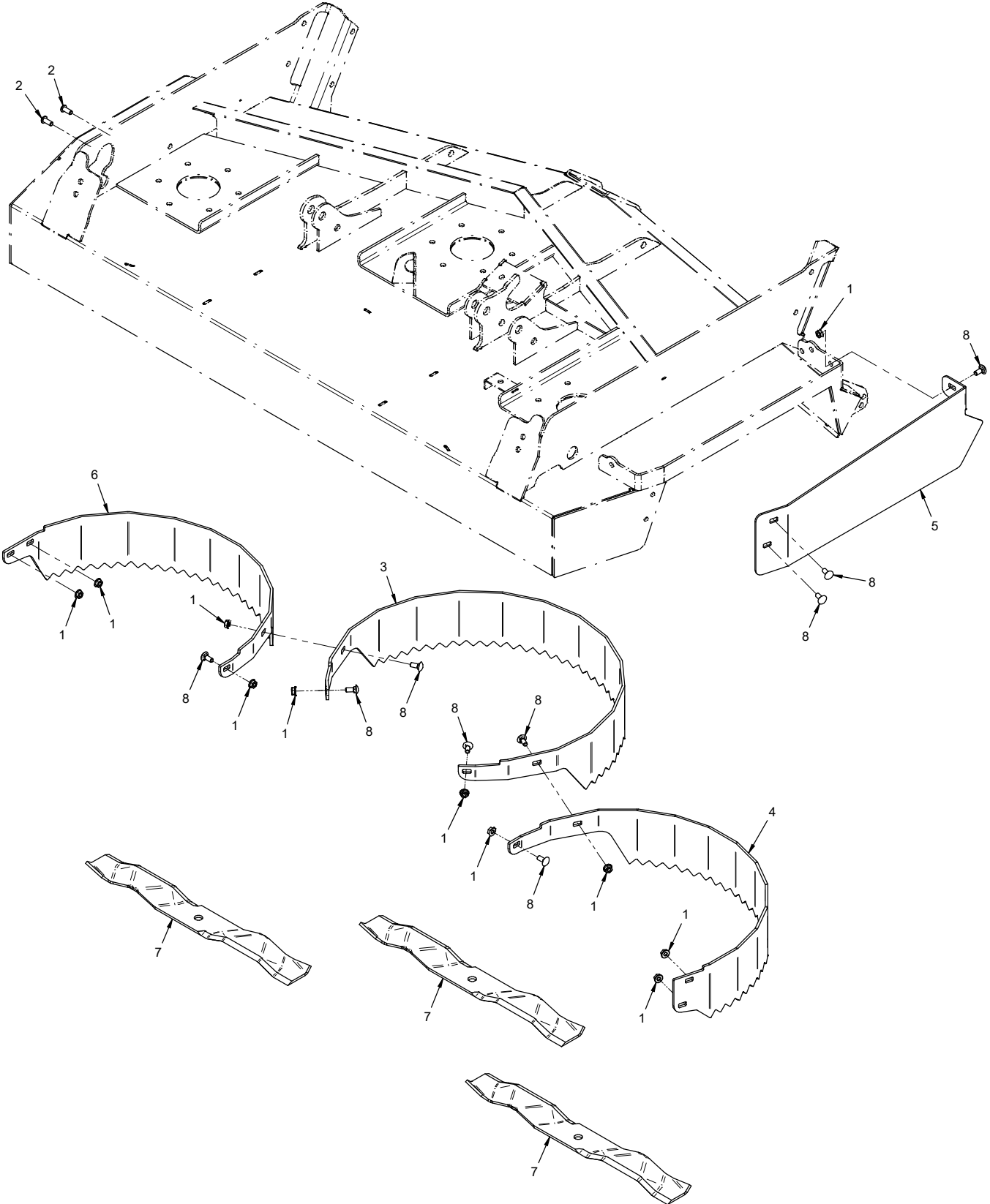
# PARTS

## Main Deck Cover Shield

REF.	PART NO.	DESCRIPTION	QTY.
1	99.SF06	Nut, SRF 3/8-16 USS	1
2	95.05	Washer, Flat 5/16 SAE	3
3	99.A05	Locknut, Stover 5/16-18 USS	1
4	95.04	Washer, Flat 1/4 SAE	2
5	99.SF0608	Bolt, SRF 3/8-16 UNC x 1	1
6	00.0428	Decal, Mower Maintenance	1
7	60.1274	Shield, Main Deck MS600	1
8	00.0192	Decal, V-Decal Die Cut Blue	1
9	00.0100	Decal, Made In USA	1
10	05.0171	Bumper, Neoprene 60 Duro	2
11	05.0170	Bumper, Elastomer 125 Lbs PF	2
12	64.0682	Bracket, Shield Spring	1
13	90.0524	Bolt, Hex 5/16-18 UNC x 3"	1
14	41.0021	Spring, Comp 1/2 OD X 2-3/4 LG	1
15	99.0406	Bolt, 1/4-20 x 3/4 BSCS	2
16	99.SF04	Nut, SRF 1/4-20 USS	2
17	99.E0104	Nut, Jam #8-32 Nylon Lock	2

# PARTS

## ILLUSTRATED DRAWING 70.8165 Mulching Kit





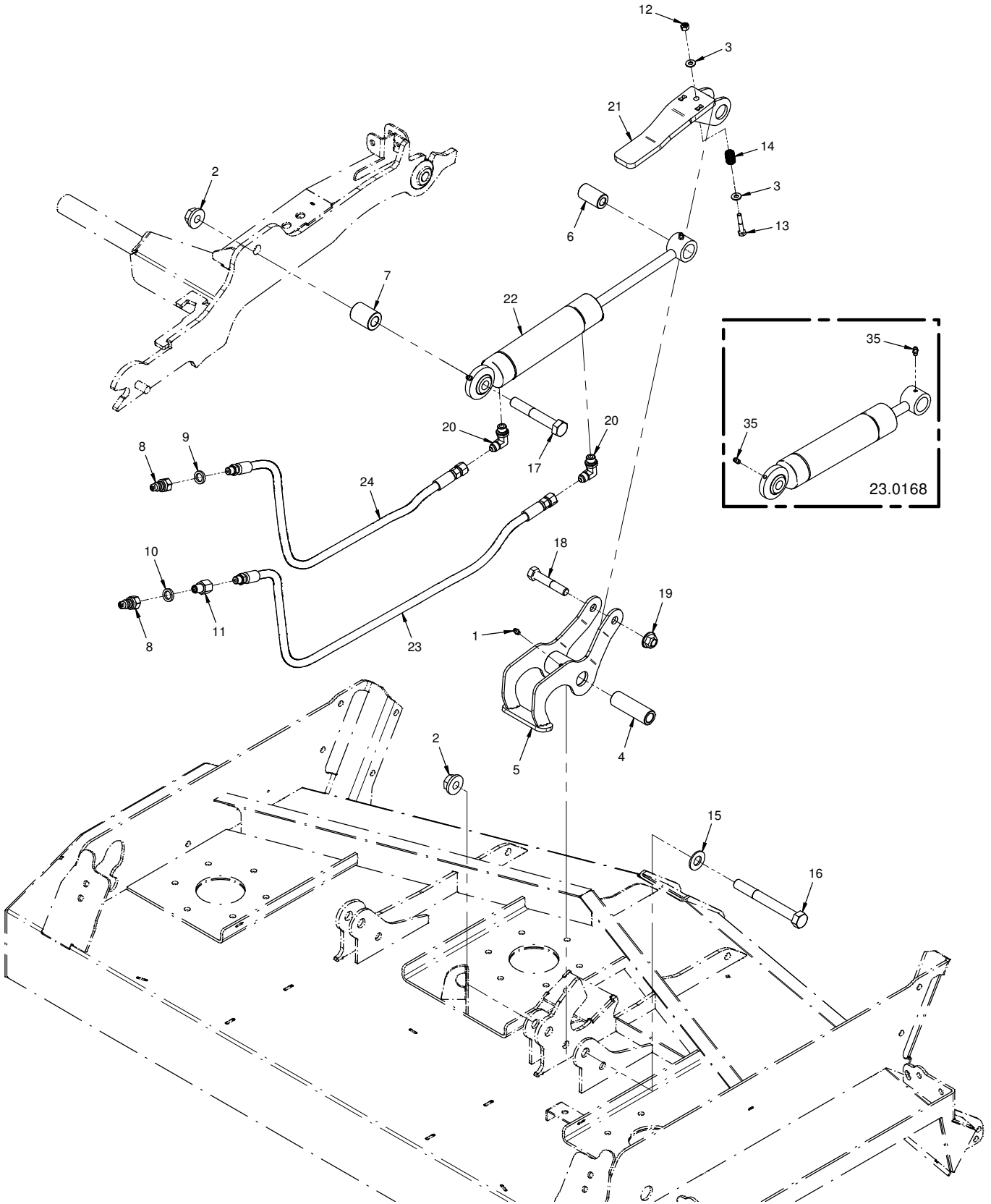
# PARTS

## 70.8165 Mulching Kit

REF.	PART NO.	DESCRIPTION	QTY.
1.....	99.SF05.....	Nut, SRF 5/16-18 USS.....	11
2.....	99.0506.....	Bolt, 5/16-18 x 3/4 BSCS.....	2
3.....	60.1300.....	Ring, Center Mulching.....	1
4.....	60.1298.....	Ring, Right Mulching.....	1
5.....	64.1981.....	Plate, Discharge End.....	1
6.....	60.1299.....	Ring, Left Mulching.....	1
7.....	79.0111.....	Blade, 21 x 5/8 RH F Mulch.....	3
8.....	97.0506.....	Bolt, Carriage 5/16-18 x 3/4.....	9

# PARTS

## ILLUSTRATED DRAWING 70.8163 & 70.8214 Hydraulic Flip Up Kit



# PARTS

## 70.8163 & 70.8214 Hydraulic Flip Up Kit

REF.	PART NO.	DESCRIPTION	QTY.
1	29.GF0001	Grease Ftg, 1/4 SAE ST	1
2	99.E0094	Locknut, 5/8-11 Flanged Stover	2
3	95.04	Washer, Flat 1/4 SAE	2
4	64.1975	Bushing, .641 x 1.00 x 3.094L	1
5	64.1972	Bracket, Flip Up Rocker	1
6	64.1973	Bushing, .516ID X 1 OD X 1.75 L	1
7	64.1974	Bushing, .656 x 1.25 x 1.625L	1
8	23.0104	Coupler, Quick Male 1/4	2
9	05.0117	Washer, .544 ID x .817 x .14 Yel	1
10	05.0116	Washer, .544 ID x .817 x .14 Red	1
11	29.0092	Fitting, .025 Orifice 1/4 Pipe	1
12	99.A04N	Locknut, Nylon 1/4-20	1
13	90.0412	Bolt, 1/4-20 USS x 1-1/2	1
14	41.0108	Spring, Comp. .531 OD X .780 LG	1
15	95.10	Washer, Flat 5/8 SAE	1
16	90.1044	Bolt, 5/8-11 USS x 5-1/2	1
17	90.1032	Bolt, 5/8-11 USS x 4	1
18	90.0822	Bolt, 1/2-13 USS x 2-3/4	1
19	99.E0103	Nut, Locking Flange 1/2-13	1
20	25.6801-06-06	Fitting, 90 ME 3/8 x 3/8	2
21	70.8218	Kit, Belt Tension/Cylinder Lock (2 parts)	1
22	23.0168	Cylinder, 1-3/4" X 5-1/4"	1
23	20.0169	Hose, 1/4x38.00 SAE 100R17 AR	1
24	20.0166	Hose, 1/4x35.00 SAE 100R17 AR	1
35	29.GF0001	Grease Ftg, 1/4 SAE ST	2