

MS720

Side Discharge Finish Mower



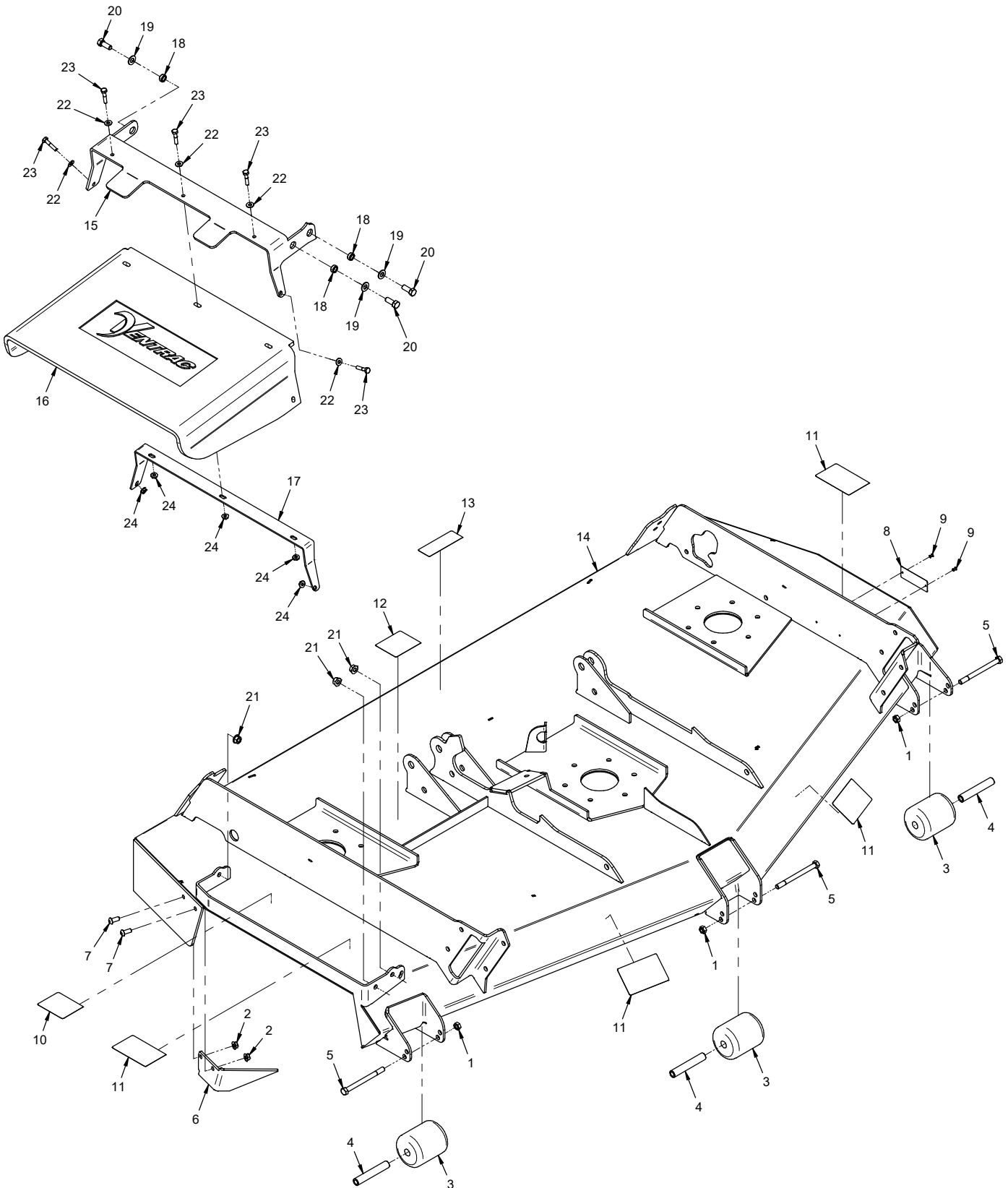
TABLE OF CONTENTS

PARTS	PAGE 4
Main Frame, Discharge Chute & Baffle, Front Anti-Scalp Rollers	4
Carrier Frame & Wheels	6
Wheel Components	8
Hitch Arms.....	10
Drive Shaft & Attachment Belt.....	12
Main Deck Belt, Pulleys, & Belt Tensioner.....	14
Spindles & Blades	16
Rear Roller	18
Height Adjust Linkage & Deck Slides	20
Main Deck Cover Shield.....	22
70.8164 Mulch Kit.....	24
70.8163 & 70.8214 Hydraulic Flip Up Kit.....	26

PARTS

ILLUSTRATED DRAWING

Main Frame, Discharge Chute & Baffle, Front Anti-Scalp Rollers



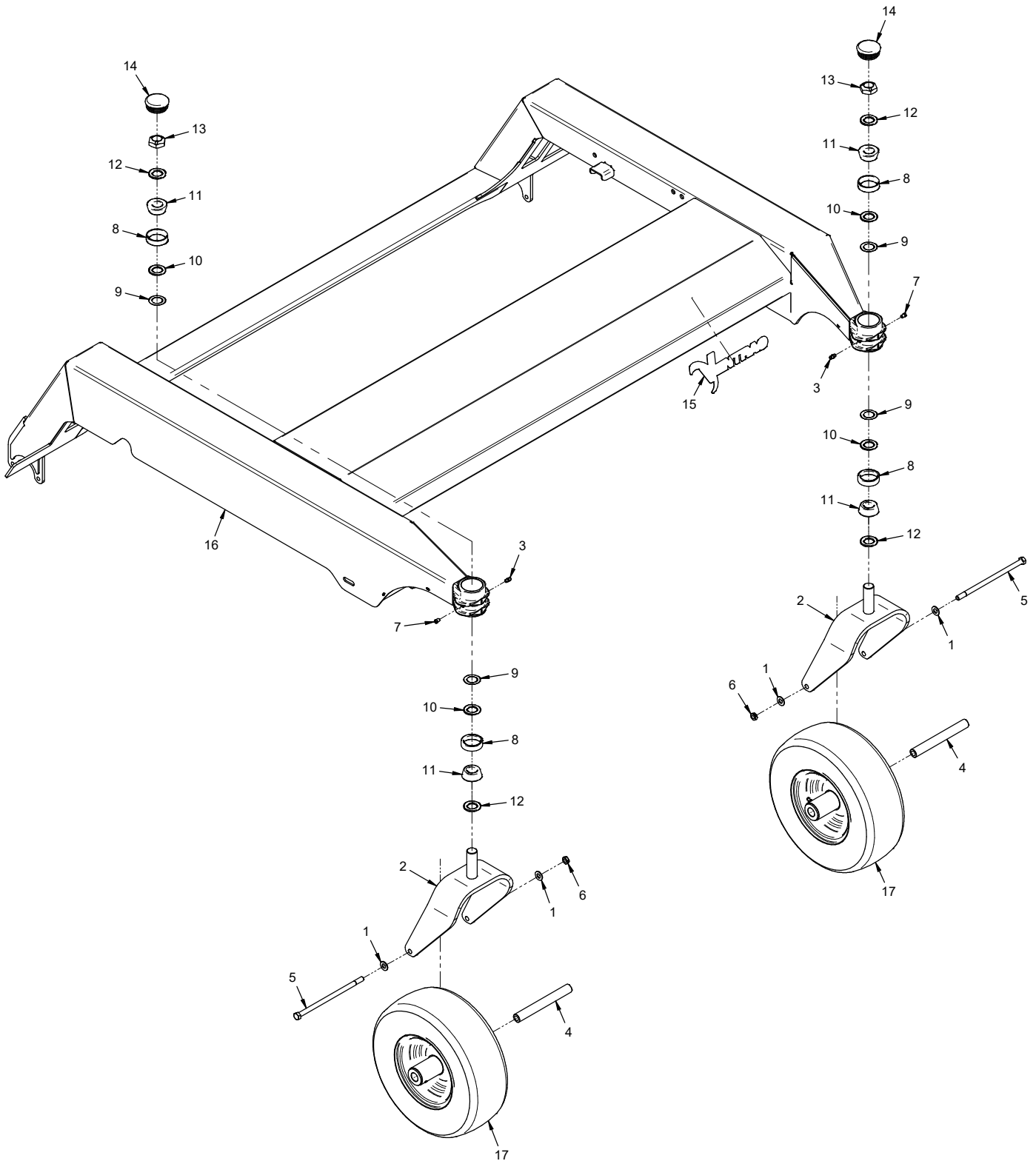
PARTS

Main Frame, Discharge Chute & Baffle, Front Anti-Scalp Rollers

REF.	PART NO.	DESCRIPTION	QTY.
1	99.A06	.Locknut, Stover 3/8-16 USS	3
2	99.SF05	.Nut, SRF 5/16-18 USS	2
3	50.0047	.Roller, Front 3" Dia X 3-1/2"	3
4	50.0046	.Tube, Axle Front Roller	3
5	90.0636	.Bolt, 3/8-16 USS x 4-1/2	3
6	60.1292	.Baffle, Discharge	1
7	99.0506	.Bolt, 5/16-18 x 3/4 BSCS	2
8	N/A	.Plate, Ventrac Serial Number	1
9	04.0003	.Rivet, Pop 1/8 X 3/8 SS	2
10	00.0122	.Decal, Thrown Object Hazard (Serial # 01001-05588)	1
10	00.0627	.Decal, Thrown Object Hazard (Serial # 05589-)	1
11	00.0123	.Decal, Keep Hands & Feet Clear (Serial # 01001-05588)	4
11	00.0628	.Decal, Cutting Hazard Mower Blade (Serial # 05589-)	4
12	00.0062	.Decal, Danger Shield Missing (Serial # 01001-05588)	1
12	00.0625	.Decal, Shield Missing (Serial # 05589-)	1
13	00.0102	.Decal, Danger - Pinching Hazard (Serial # 01001-05588)	1
13	00.0620	.Decal, Pinching or Crushing Hazard (Serial # 05589-)	1
14	62.1451	.Frame, Deck Weldment MS720	1
15	64.1933	.Bracket, Discharge Chute	1
16	44.0384	.Rubber, MS Mower Chute	1
17	64.1942	.Strap, Discharge Chute	1
18	64.0602	.Bushing, 3/8 x 5/8 x .265	3
19	95.06	.Washer, Flat 3/8 SAE	3
20	90.0608	.Bolt, 3/8-16 USS x 1	3
21	99.SF06	.Nut, SRF 3/8-16 USS	3
22	95.04	.Washer, Flat 1/4 SAE	5
23	90.0410	.Bolt, 1/4-20 USS x 1/1-4"	5
24	99.SF04	.Nut, SRF 1/4-20 USS	5

PARTS

ILLUSTRATED DRAWING Carrier Frame & Wheels



PARTS

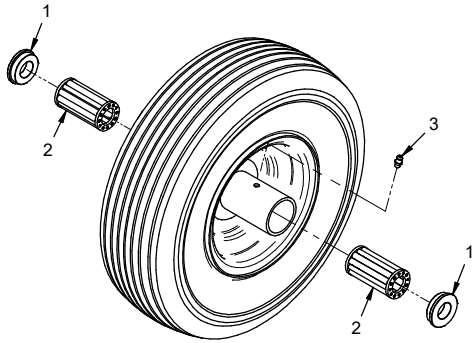
Carrier Frame & Wheels

REF.	PART NO.	DESCRIPTION	QTY.
1	95.06	.Washer, Flat 3/8 SAE	4
2	50.0195	.Yoke, Caster 13" Wheel	2
3	29.GF0001	.Grease Ftg, 1/4 SAE ST	2
4	50.0050	.Tube, Swivel Axle	2
5	90.0660	.Bolt, 3/8-16 USS x 7-1/2	2
6	99.A06C	.Locknut, Center 3/8-16	2
7	29.GF0011	.Grease Ftg, Plug 1/4-28	2
8	55.LM12710	.Bearing, Cup	4
9	85.B0101	.Bushing, .005 Spacer	4
10	85.B0099	.Bushing, .875ID x 1.375OD x .120T	4
11	55.LM12749LA2	.Bearing, Taper Roller Cone	4
12	99.B0119	.Washer, Mach 7/8 x 1-3/8 x 10 GA	4
13	99.M0047	.Locknut, Stover M22 X 1.5 ZP	2
14	05.0172	.Plug, Ribbed Black LDPE	2
15	00.0383	.Decal, Ventrac	1
16	62.1450	.Frame, Main Carrier MS720	1
17	53.0155	.Wheel, Asm 13 x 5 x 6 Caster (Serial # 01001-05108)	2
17	53.0148	.Wheel, Asm 13x5x6 Rib Flatfree (Optional - white rim)	2
17	53.0216	.Wheel, Asm 13 x 5 x 6 Caster (Serial # 05109 -05264)	2
17	53.0213	.Wheel, Asm 13 x 5 x 6 Caster (Serial # 05265-)	2
17	53.0214	.Wheel, Asm 13 x 5 x 6 Caster (Optional - black rim)	2

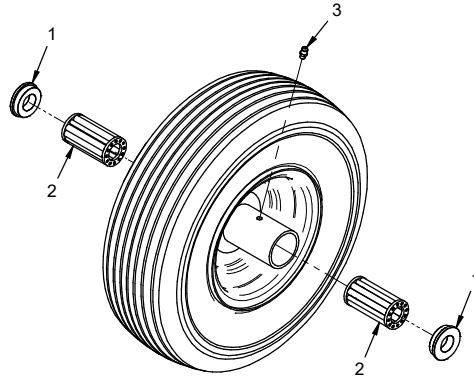
PARTS

ILLUSTRATED DRAWING Wheel Components

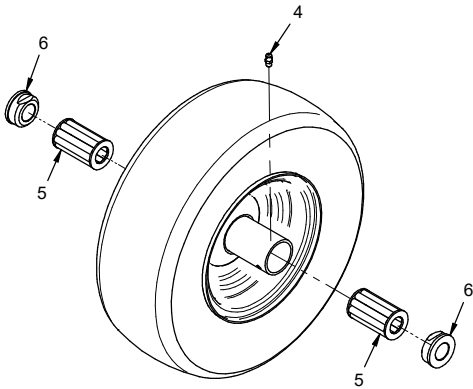
53.0155 - Standard White Rim (Serial # 01001-05108)



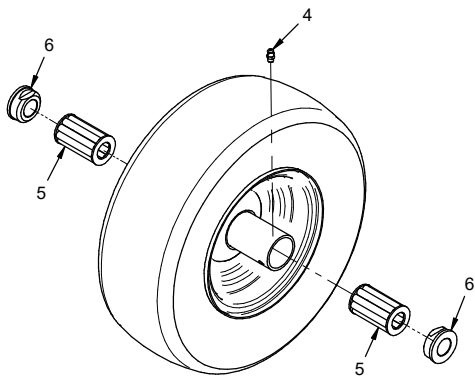
53.0148 - Optional Flatfree White Rim



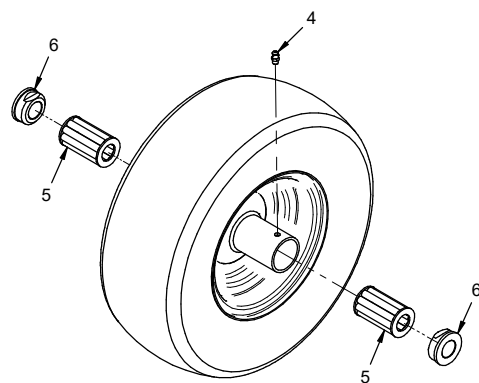
53.0216 - Standard White Rim (Serial # 05109-05264)



53.0213 - Standard Black Rim (Serial # 05265-)



53.0214 - Optional Flatfree Black Rim



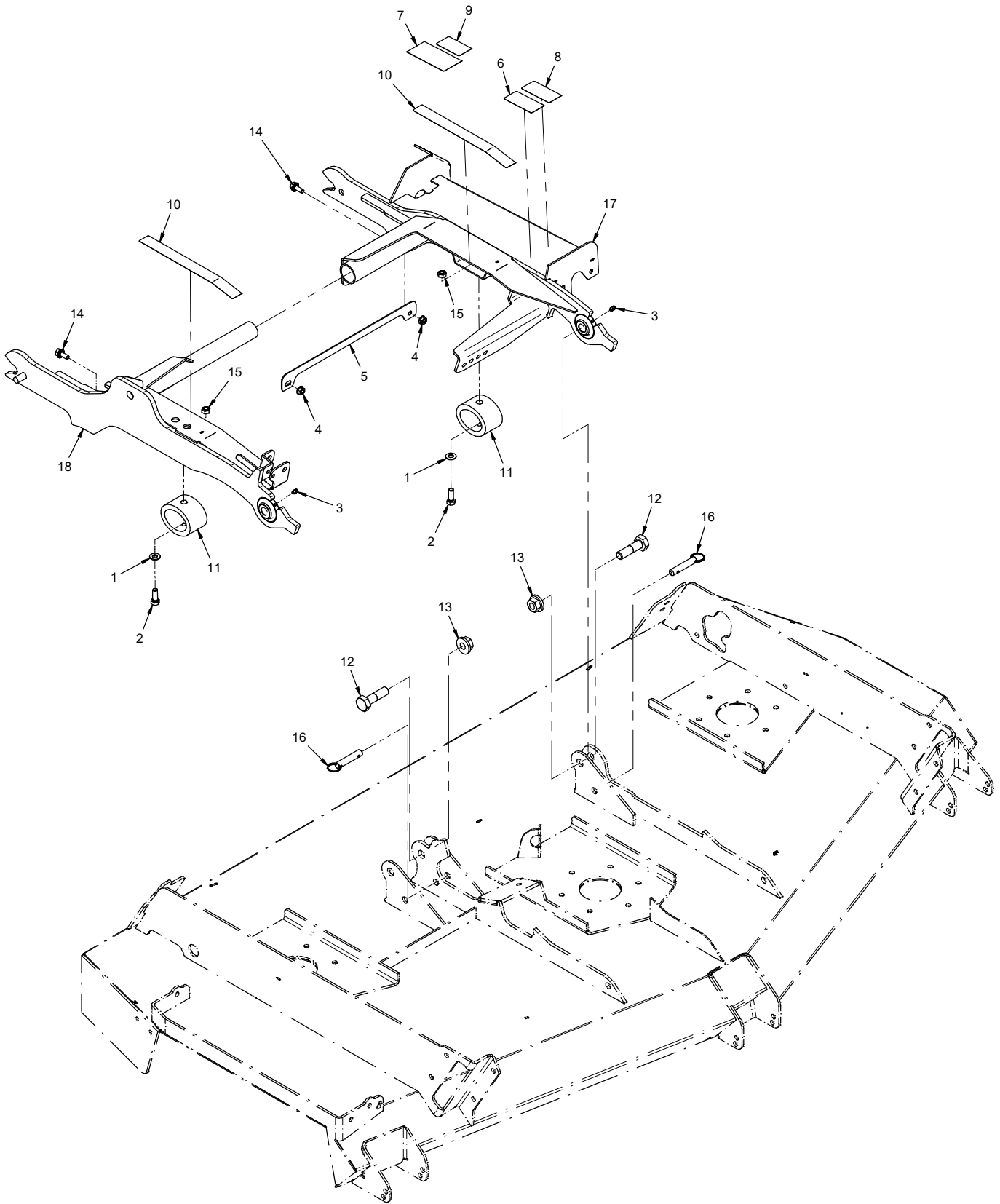
PARTS

Wheel Components

REF.	PART NO.	DESCRIPTION	QTY.
1	55.0072	Bearing, Retainer 3/4"	2
2	55.0088	Bearing, Roller Replacement	2
3	29.GF0001	Grease Ftg, 1/4 SAE ST	1
4	29.GF0001	Grease Ftg, 1/4 SAE ST	1
5	55.0116	Bearing, Roller 2.25" Long	2
6	55.0114	Retainer, Roller Bearing 3/4"	2

PARTS

ILLUSTRATED DRAWING Hitch Arms



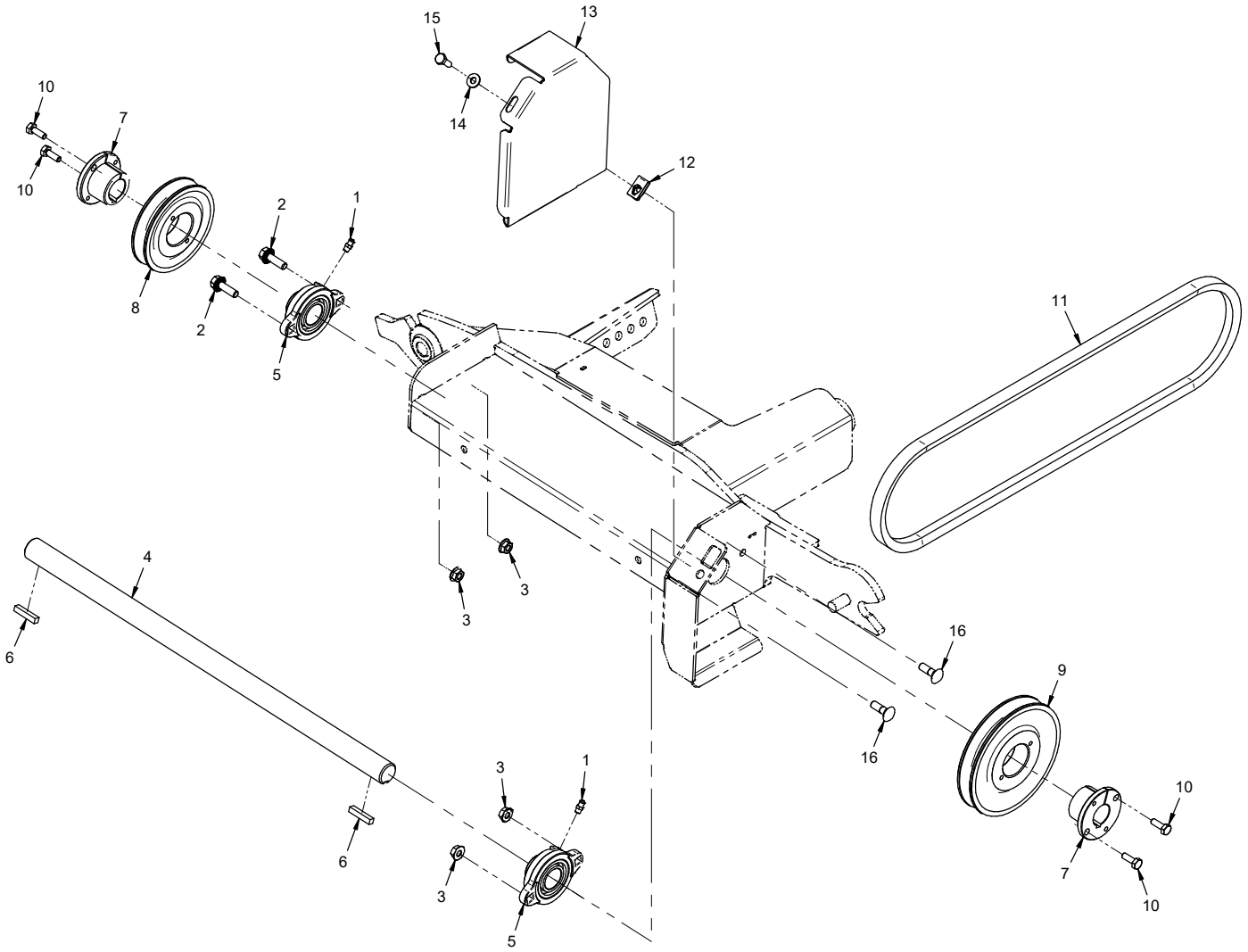
PARTS

Hitch Arms

REF.	PART NO.	DESCRIPTION	QTY.
1	95.06	Washer, Flat 3/8 SAE	2
2	90.0608	Bolt, 3/8-16 USS x 1	2
3	29.GF0001	Grease Ftg, 1/4 SAE ST	2
4	99.SF05	Nut, SRF 5/16-18 USS	2
5	64.1934	Brace, Hitch Arm Spacing	1
6	00.0217	Decal, Warning Read Owners Man (Serial # 01001-05588)	1
6	00.0619	Decal, Read Operator's Manual (Serial # 05589-)	1
7	00.0220	Decal, General Safety (Serial # 01001-05588)	1
8	00.0219	Decal, Warning Do Not Reach (Serial # 01001-05588)	1
8	00.0632	Decal, Moving Parts Hazard (Serial # 05589-)	1
9	00.0216	Decal, Warning Moving Parts (Serial # 01001-05588)	1
9	00.0631	Decal, Finger/Hand Entanglement (Serial # 05589-)	1
10	00.0427	Decal, Wear Resistant	2
11	05.0169	Bumper, Elastomer 1300 LBS PF	2
12	99.K0111	Bolt, 5/8-11 X 2-1/4 Grd A325	2
13	99.E0094	Locknut, 5/8-11 Flanged Stover	2
14	99.SF0506	Bolt, SRF 5/16-18 USS X 3/4	2
15	99.A06	Locknut, Stover 3/8-16 USS	2
16	03.0007	Pin, Ball 1/2 x 1.8"	2
17	62.1452	Hitch, Arm Left MS720	1
18	62.1453	Hitch, Arm Right MS720	1

PARTS

ILLUSTRATED DRAWING Drive Shaft & Attachment Belt



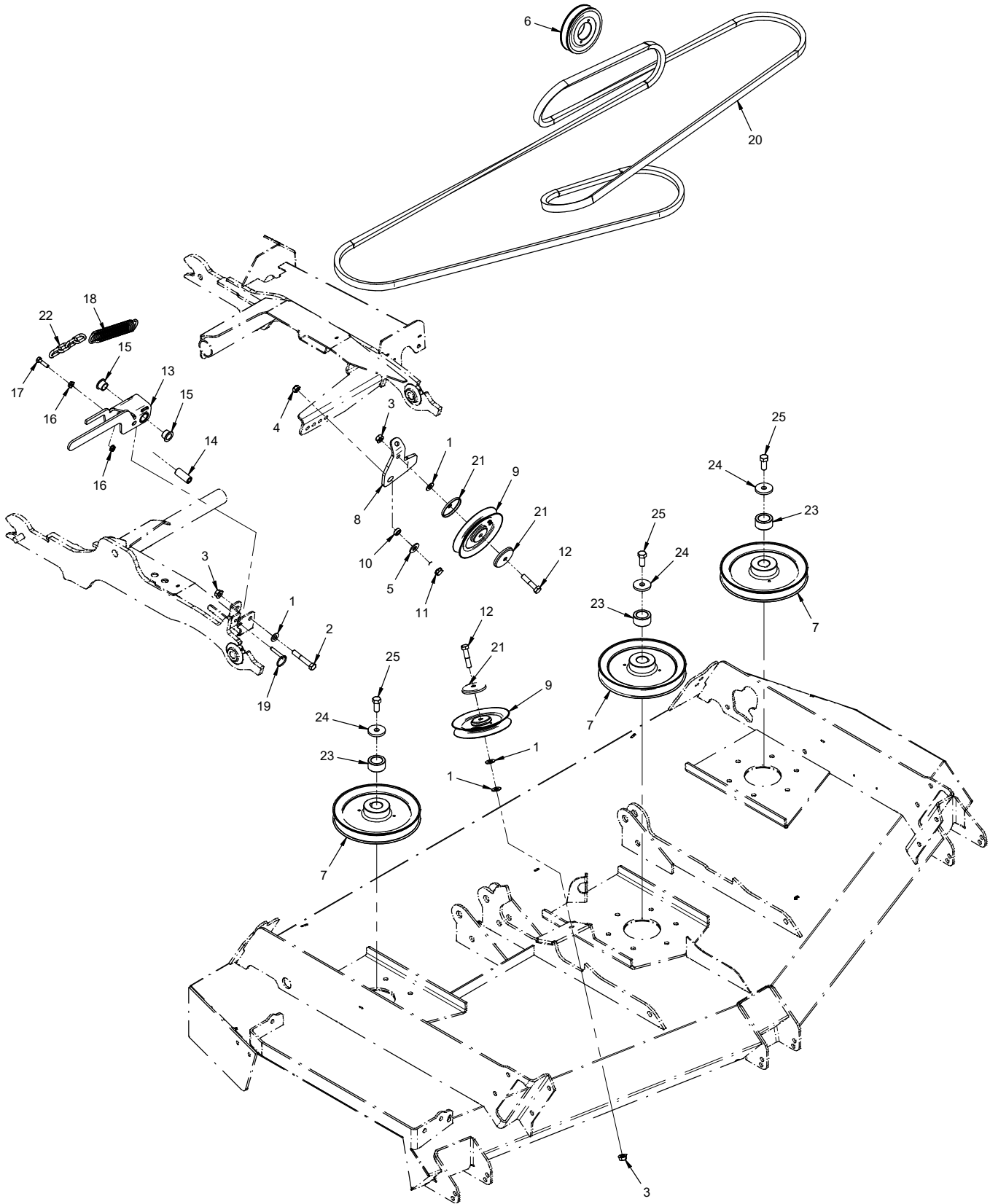
PARTS

Drive Shaft & Attachment Belt

REF.	PART NO.	DESCRIPTION	QTY.
1	29.GF0001	.Grease Ftg, 1/4 SAE ST	2
2	99.SF0508	.Bolt, SRF 5/16-18 USS X 1	2
3	99.SF05	.Nut, SRF 5/16-18 USS	4
4	80.0389	.Shaft, Hitch Arm	1
5	55.FB16016-1	.Bearing, Flange Block 1"	2
6	85.K0410	.Key, 1/4 X 1-1/4	2
7	83.H16S	.Bushing, 1" Split 1/4" Key	2
8	83.BK45H	.Pulley, 4.5" H-Bush	1
9	83.BK55H	.Pulley, 5.5" H-Bushing	1
10	90.0406	.Bolt, 1/4-20 USS x 3/4"	4
11	81.B045	.Belt, B45	1
12	99.E0046	.Nut, "U" 1/4-20 Extruded	1
13	60.0665	.Shield, Drive Pulley	1
14	95.04	.Washer, Flat 1/4 SAE	1
15	90.0406	.Bolt, 1/4-20 USS x 3/4"	1
16	99.SF0508	.Bolt, SRF 5/16-18 USS X 1 (Serial # 01001-04513)	2
16	97.0508	.Bolt, Carriage 5/16-18 x 1 (Serial # 04514-)	2

PARTS

ILLUSTRATED DRAWING Main Deck Belt, Pulleys, & Belt Tensioner



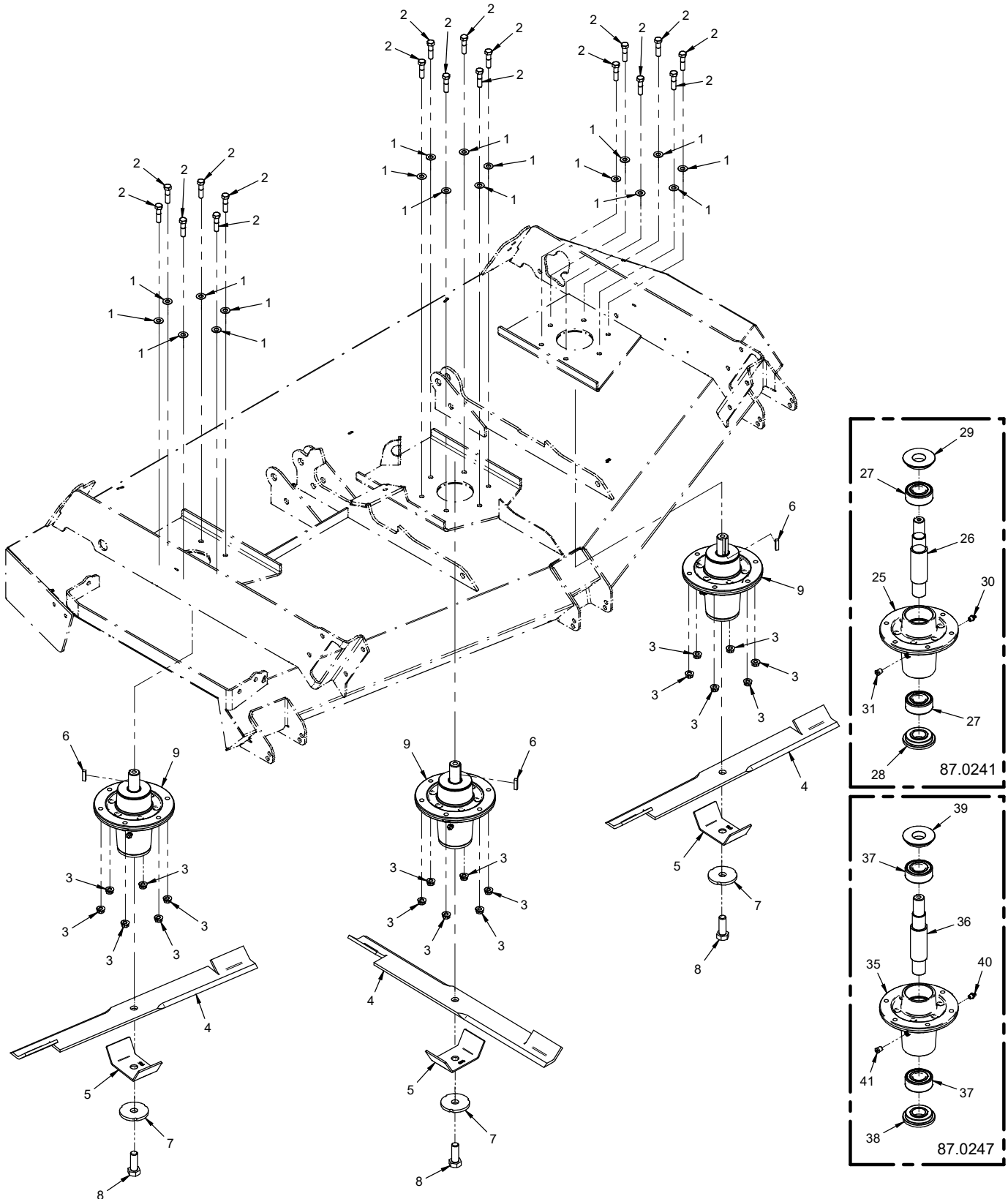
PARTS

Main Deck Belt, Pulleys, & Belt Tensioner

REF.	PART NO.	DESCRIPTION	QTY.
1	95.06	.Washer, Flat 3/8 SAE	4
2	90.0618	.Bolt, 3/8-16 USS x 2-1/4	1
3	99.SF06	.Nut, SRF 3/8-16 USS	3
4	99.A06	.Locknut, Stover 3/8-16 USS	1
5	94.06	.Washer, Flat 3/8 USS	1
6	83.BK45H	.Pulley, 4.5" H-Bush	1
7	83.0080	.Pulley, 7-1/2, 25MM STR Bore	3
8	40.0399	.Idler Arm, Belt Tension	1
9	83.0031	.Pulley, V-Idler 5-1/16 X 3/8ID	2
10	64.0602	.Bushing, 3/8 x 5/8 x .265	1
11	99.SF0608	.Bolt, SRF 3/8-16 USS x 1	1
12	90.0614	.Bolt, 3/8-16 USS x 1-3/4	2
13	70.8218	.Kit, Belt Tension/Cylinder Lock (2 parts)	1
14	64.1936	.Bushing, Belt Tension Pivot	1
15	85.B0088	.Bushing, 5/8 ID X 3/4 OD X 1/2	2
16	99.SF04	.Nut, SRF 1/4-20 USS	2
17	90.0408	.Bolt, 1/4-20 USS x 1"	1
18	41.0048	.Spring, Ext. 1 OD X 6	1
19	03.0022	.Pin, Ball 1/4" x 1"	1
20	81.5001	.Belt, B180 Custom	1
21	60.1056	.Cover, Pulley	3
22	81.0160	.Chain, 1/8 Plated x 4 Links	1
23	64.1976	.Bushing, 1ID X 1.5OD X .750L	3
24	99.B0128	.Washer, .323 ID x 1.50 OD (Serial # 01001-02297)	3
24	99.B0134	.Washer, .448 ID x 1.50 OD (Serial # 02298-)	3
25	99.SF0508-8	.Bolt, SRF 5/16-18 X 1 GR8 (Serial # 01001-02297)	3
25	91.0708-8	.Bolt, 7/16-20 x 1 Gr8 (Serial # 02298-)	3

PARTS

ILLUSTRATED DRAWING Spindles & Blades



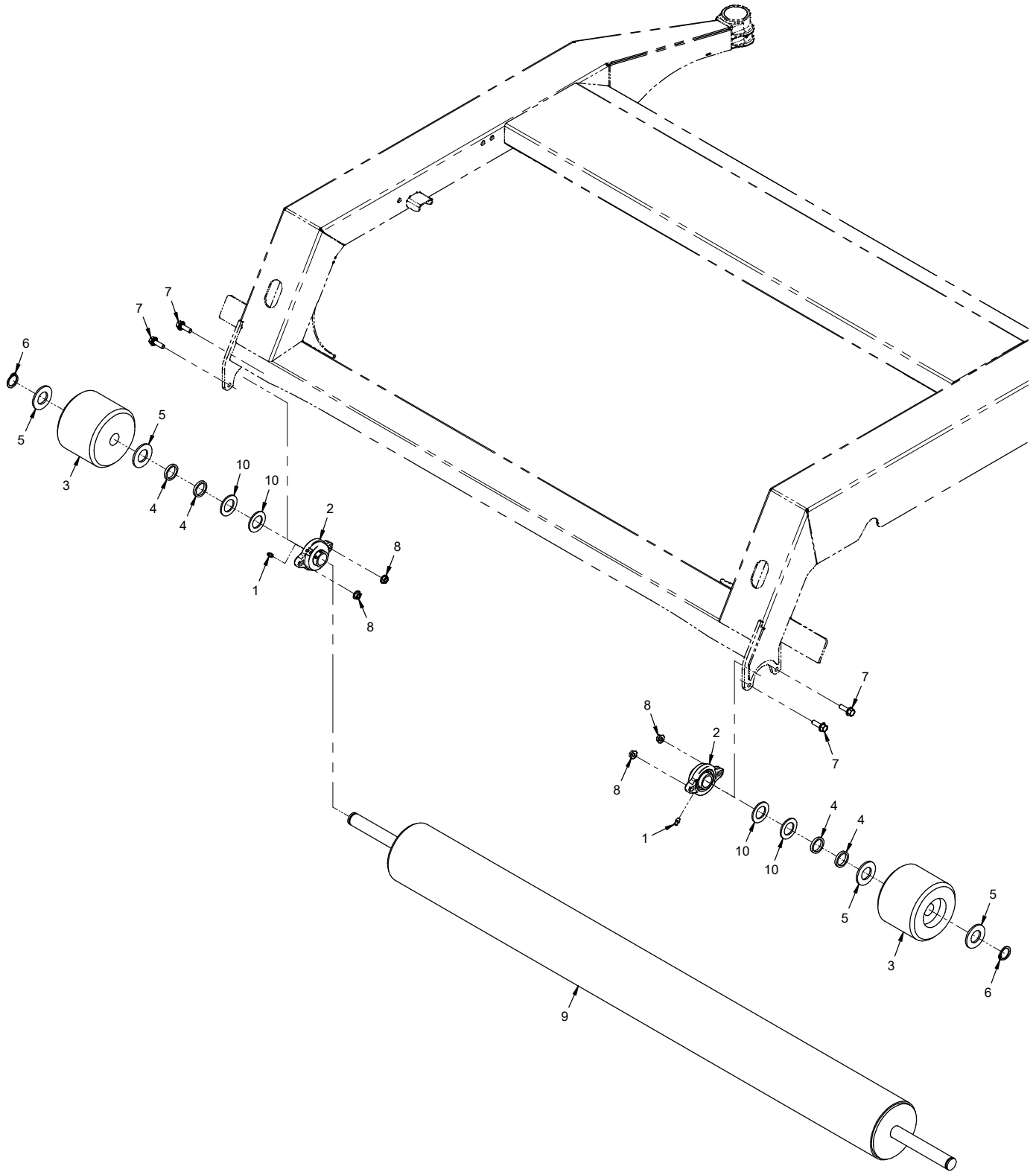
PARTS

Spindles & Blades

REF.	PART NO.	DESCRIPTION	QTY.
1	95.06	Washer, Flat 3/8 SAE	18
2	90.0612	Bolt, 3/8-16 USS x 1-1/2	18
3	99.E0082	Nut, Locking Flange 3/8-16	18
4	79.0105	Blade, 25 X 5/8 RH S Highlift	3
4	79.0104	Blade, 25 X 5/8 RH S Lowlift (Optional)	3
4	79.0107	Blade, 25 X 5/8 RH S Gator (Optional)	3
4	79.0106	Blade, 24-15/16x5/8 RH F Mulch (Optional)	3
5	64.2003	Guard, Spindle/Anti-String	3
6	85.K0408	Key, 1/4 X 1	3
7	99.B0097	Washer, .635 ID X 2-1/2 OD 1/4	3
8	91.1014	Bolt, 5/8-18 SAE x 1-3/4	3
9	87.0241	Spindle, Asm HD RH (Serial # 01001-02297)	3
9	87.0247	Spindle, Asm HD AI RH (Serial # 02298-)	3
25	87.0241-1	Housing, Spindle AL	1
26	87.0241-2	Shaft, Spindle RH	1
27	55.0095	Bearing, Ball 30MM x 62MM	2
28	87.0224-3	Shield, Spindle Bottom	1
29	87.0225-3	Shield, Spindle Top	1
30	29.GF0004	Grease Ftg, 1/8 NPT St	1
31	29.GF0017	Fitting, Relief	1
35	87.0241-1	Housing, Spindle AL	1
36	87.0247-2	Shaft, Spindle RH	1
37	55.0095	Bearing, Ball 30MM x 62MM	2
38	87.0224-3	Shield, Spindle Bottom	1
39	87.0225-3	Shield, Spindle Top	1
40	29.GF0004	Grease Ftg, 1/8 NPT St	1
41	29.GF0017	Fitting, Relief	1

PARTS

ILLUSTRATED DRAWING Rear Roller



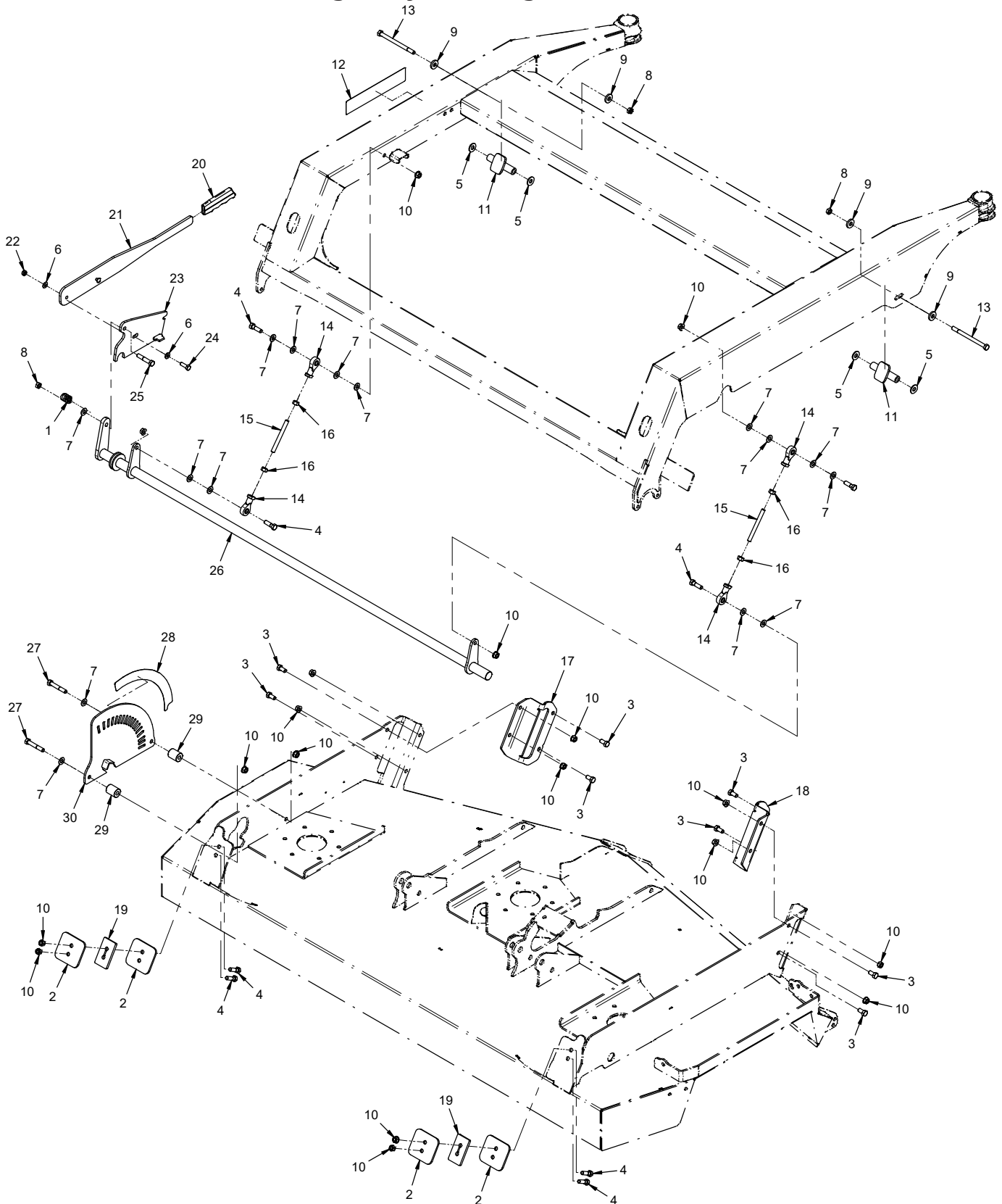
PARTS

Rear Roller

REF.	PART NO.	DESCRIPTION	QTY.
1	29.GF0001	Grease Ftg, 1/4 SAE ST	2
2	55.FB16016-2	Bearing, 2 Bolt Flange 1" (Serial # 01001-04880)	2
2	55.FB16016-1	Bearing, Flange Block 1" (Serial # 04881-05442)	2
2	55.FB16016-2	Bearing, 2 Bolt Flange 1" (Serial # 05443-)	2
3	50.0194	Roller, End 5" Dia x 4" Long	2
4	64.1930	Spacer, Rear Roller End	4
5	95.16	Washer, Flat 1 SAE	4
6	04.0025	Snap Ring, Ext.1 Shft .078 Thk.	2
7	99.SF0508	Bolt, SRF 5/16-18 USS X 1	4
8	99.SF05	Nut, SRF 5/16-18 USS	4
9	80.0388	Roller, Rear MS720	1
10	99.B0093	Washer, 1" ID x 1-1/2" OD 10GA (Serial # 04881-05442)	4

PARTS

ILLUSTRATED DRAWING Height Adjust Linkage & Deck Slides



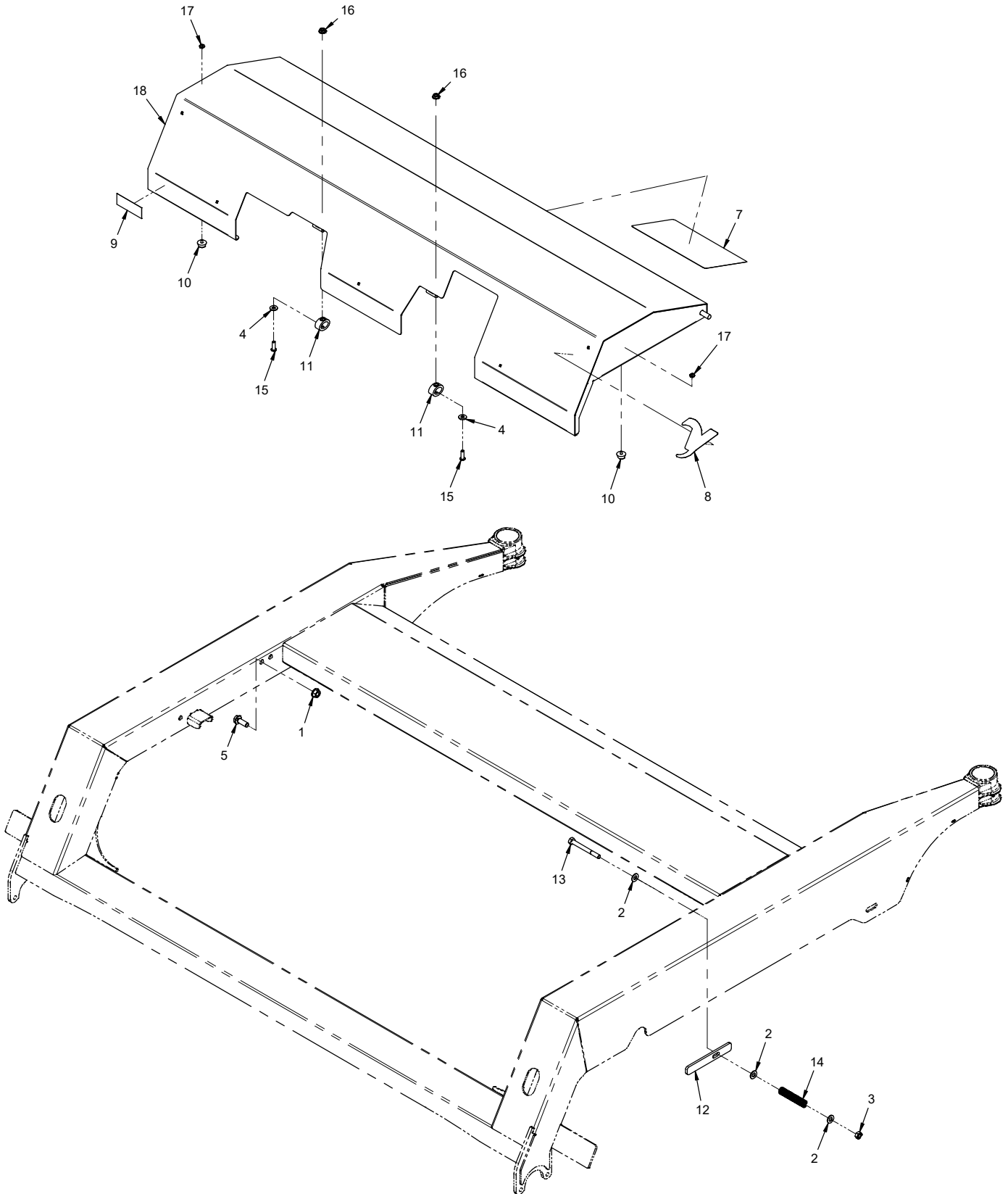
PARTS

Height Adjust Linkage & Deck Slides

REF.	PART NO.	DESCRIPTION	QTY.
1	41.0039	.Spring, Comp 9/16 OD x 5/8 LG (Serial # 01001-01556)	1
1	41.0119	.Spring, Comp .785 OD x 1 LG (Serial # 01557-)	1
2	64.1179	.Plate, Rear Slide Retainer	4
3	90.0606	.Bolt, 3/8-16 USS x 3/4	8
4	90.0610	.Bolt, 3/8-16 USS x 1-1/4	8
5	94.06	.Washer, Flat 3/8 USS	4
6	95.05	.Washer, Flat 5/16 SAE	2
7	95.06	.Washer, Flat 3/8 SAE	15
8	99.A06	.Locknut, Stover 3/8-16 USS	3
9	99.G0014	.Washer, 3/8 USS FW .165 Thk	4
10	99.SF06	.Nut, SRF 3/8-16 USS	18
11	64.1180	.Tube, Front Slide	2
12	00.0426	.Decal, Cut Height Position Key	1
13	90.0640	.Bolt, Hex 3/8-16 UNC x 5	2
14	43.006	.Rod End, 3/8 Spherical, Female	4
15	99.J0630NFZ	.Rod, Threaded 3/8-24 x 5-3/8	2
16	93.06	.Nut, Hex 3/8-24 UNF	4
17	64.1904	.Bracket, Front Slide Left	1
18	64.1905	.Bracket, Front Slide Right	1
19	64.1181	.Spacer, Rear Slide	2
20	47.0086	.Grip, Slip-On Handle - Black	1
21	64.1911	.Lever, Height Adjuster	1
22	99.A05	.Locknut, Stover 5/16-18 USS	1
23	64.1910	.Bracket, Height Adjuster	1
24	90.0508	.Bolt, Hex 5/16-18 UNC x 1"	1
25	90.0612	.Bolt, Hex 3/8-16 USS x 1-1/2 (Serial # 01001-01556)	1
25	90.0616	.Bolt, Hex 3/8-16 USS x 2 (Serial # 01557-)	1
26	42.0579	.Shaft, Ht Adj Crossbar MS720	1
27	90.0618	.Bolt, Hex 3/8-16 UNC x 2-1/4	2
28	00.0425	.Decal, Cut Height Position	1
29	64.0905	.Tube, RD 7/16 X 1 X 1-1/4L	2
30	64.1961	.PLATE, HEIGHT ADJUST SELECTOR	1

PARTS

ILLUSTRATED DRAWING Main Deck Cover Shield



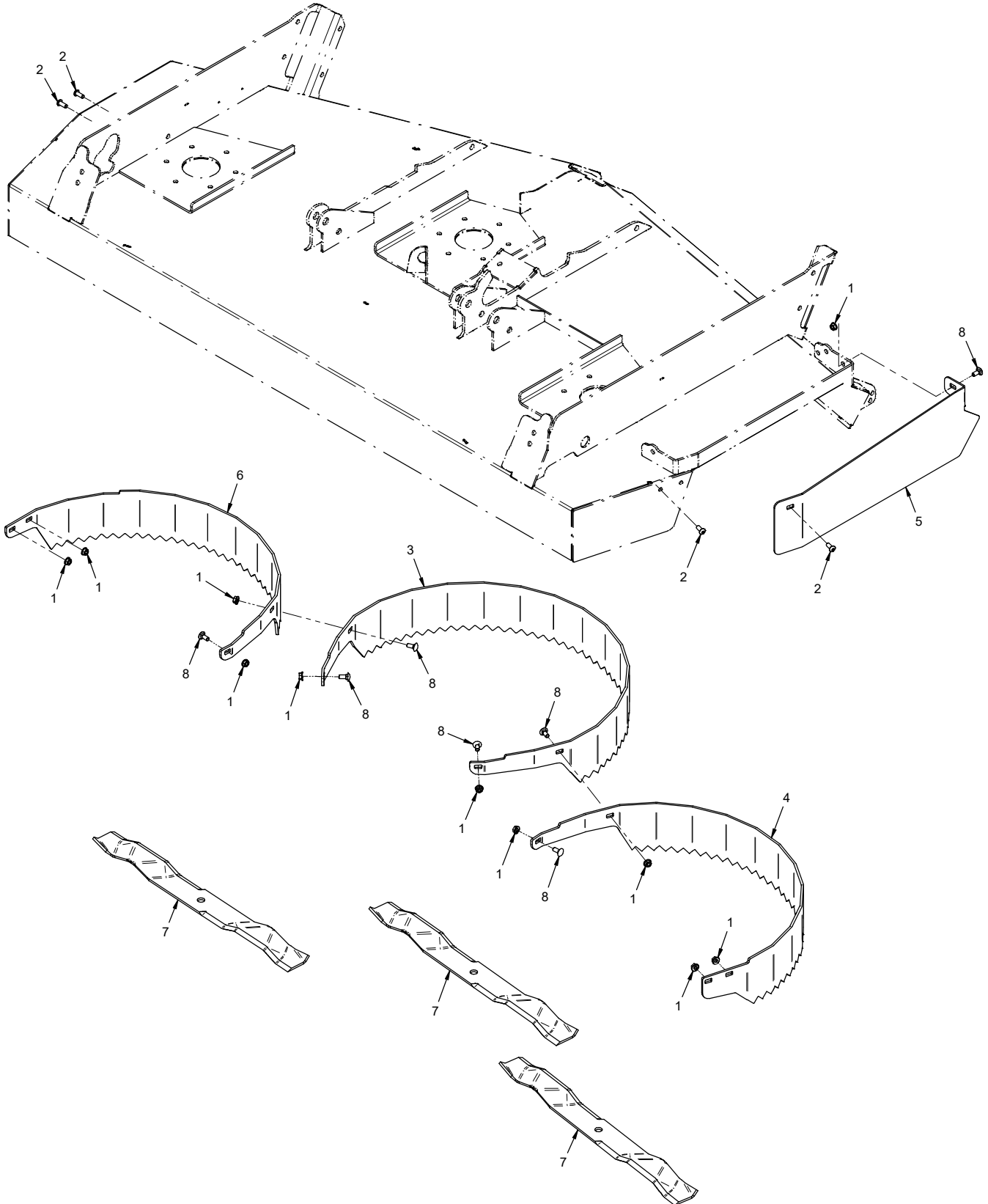
PARTS

Main Deck Cover Shield

REF.	PART NO.	DESCRIPTION	QTY.
1	99.SF06	Nut, SRF 3/8-16 USS	1
2	95.05	Washer, Flat 5/16 SAE	3
3	99.A05	Locknut, Stover 5/16-18 USS	1
4	95.04	Washer, Flat 1/4 SAE	2
5	99.SF0608	Bolt, SRF 3/8-16 USS x 1	1
7	00.0428	Decal, Mower Maintenance	1
8	00.0192	Decal, V-Decal Die Cut Blue	1
9	00.0100	Decal, Made In USA	1
10	05.0171	Bumper, Neoprene 60 Duro	2
11	05.0170	Bumper, Elastomer 125 Lbs PF	2
12	64.0682	Bracket, Shield Spring	1
13	90.0524	Bolt, 5/16-18 USS x 3"	1
14	41.0021	Spring, Comp 1/2 OD X 2-3/4 LG	1
15	99.0406	Bolt, 1/4-20 x 3/4 BSCS	2
16	99.SF04	Nut, SRF 1/4-20 USS	2
17	99.E0104	Nut, Jam #8-32 Nylon Lock	2
18	60.1268	Shield, Main Deck Cover MS720	1

PARTS

ILLUSTRATED DRAWING 70.8164 Mulch Kit



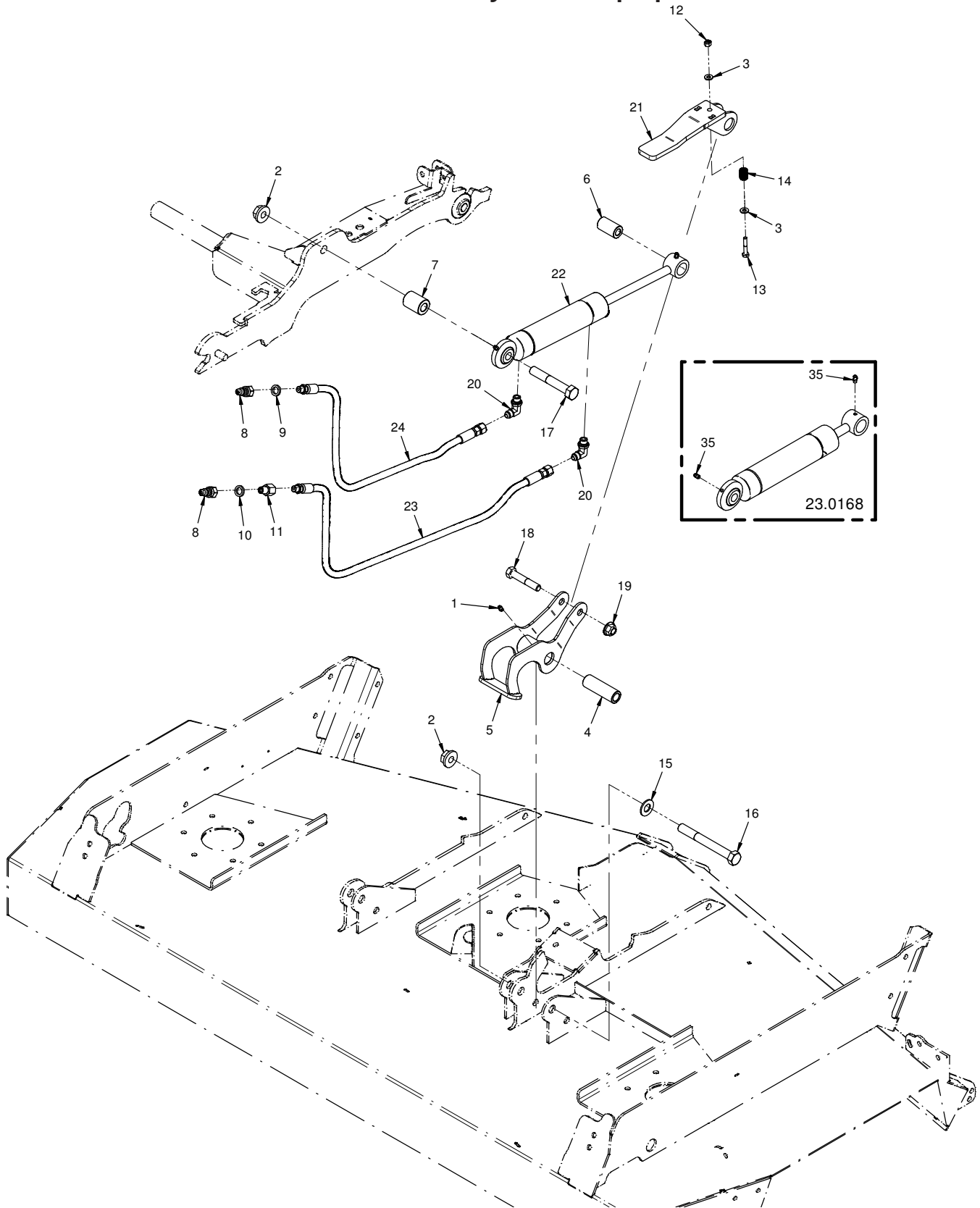
PARTS

70.8164 Mulch Kit

REF.	PART NO.	DESCRIPTION	QTY.
1	99.SF05	.Nut, SRF 5/16-18 USS	11
2	99.0506	.Bolt, 5/16-18 x 3/4 BSCS	4
3	64.1970	.Ring, Mulching Center	1
4	64.1971	.Ring, Mulching Right	1
5	64.1982	.Plate, Discharge End	1
6	64.1969	.Ring, Mulching Left	1
7	79.0106	.Blade, 24-15/16x5/8 RH F Mulch	3
8	97.0506	.Bolt, Carriage 5/16-18 x 3/4	7

PARTS

ILLUSTRATED DRAWING 70.8163 & 70.8214 Hydraulic Flip Up Kit



PARTS

70.8163 & 70.8214 Hydraulic Flip Up Kit

REF.	PART NO.	DESCRIPTION	QTY.
1	29.GF0001	.Grease Ftg, 1/4 SAE ST	1
2	99.E0094	.Locknut, 5/8-11 Flanged Stover	2
3	95.04	.Washer, Flat 1/4 SAE	2
4	64.1975	.Bushing, .641 x 1.00 x 3.094L	1
5	64.1972	.Bracket, Flip Up Rocker	1
6	64.1973	.Bushing, .516ID X 1 OD X 1.75 L	1
7	64.1974	.Bushing, .656 x 1.25 x 1.625L	1
8	23.0104	.Coupler, Quick Male 1/4	2
9	05.0117	.Washer, .544 ID x .817 x .14 Yel.	1
10	05.0116	.Washer, .544 ID x .817 x .14 Red	1
11	29.0092	.Fitting, .025 Orifice 1/4 Pipe	1
12	99.A04N	.Locknut, Nylon 1/4-20	1
13	90.0412	.Bolt, 1/4-20 USS x 1-1/2	1
14	41.0108	.Spring, Comp. .531 OD X .780 LG	1
15	95.10	.Washer, Flat 5/8 SAE	1
16	90.1044	.Bolt, 5/8-11 USS x 5-1/2	1
17	90.1032	.Bolt, 5/8-11 USS x 4	1
18	90.0822	.Bolt, 1/2-13 USS x 2-3/4	1
19	99.E0103	.Nut, Locking Flange 1/2-13	1
20	25.6801-06-06	.Fitting, 90 ME 3/8 x 3/8	2
21	70.8218	.Kit, Belt Tensioner/Cylinder Lock (2 parts)	1
22	23.0168	.Cylinder, 1-3/4" X 5-1/4"	1
23	20.0169	.Hose, 1/4x38.00 SAE 100R17 AR	1
24	20.0166	.Hose, 1/4x35.00 SAE 100R17 AR	1
35	29.GF0001	.Grease Ftg, 1/4 SAE ST	2