

Parts Manual

# MU720

Rear Discharge Mower



Revised 08/25/23  
09.20044 Rev. 04



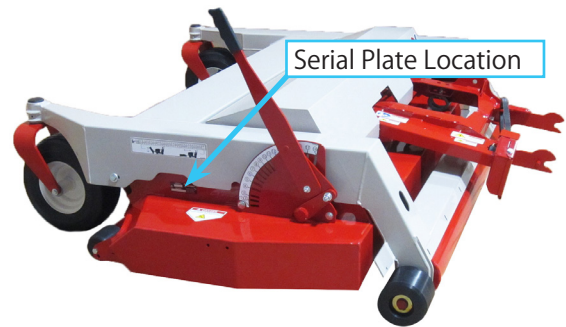
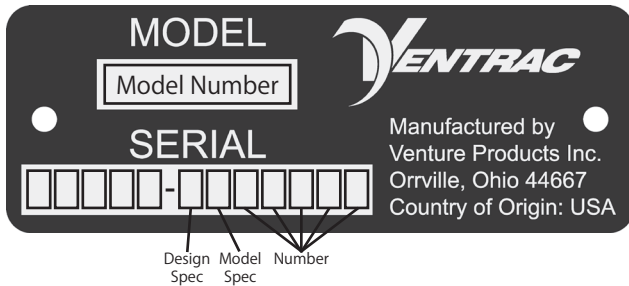
500 Venture Drive  
Orrville Oh 44667  
www.ventrac.com

[View all manuals](#)



Visit [ventrac.com/manuals](http://ventrac.com/manuals) for the latest version of this operator's manual. A downloadable parts manual is also available.

### Serial Number Description



### Notes

- If any component requires replacement, use only original Ventrac replacement parts.
- When ordering new components, be sure to order all required safety decals. All current safety decals must be affixed to the replacement components prior to installation of the component.

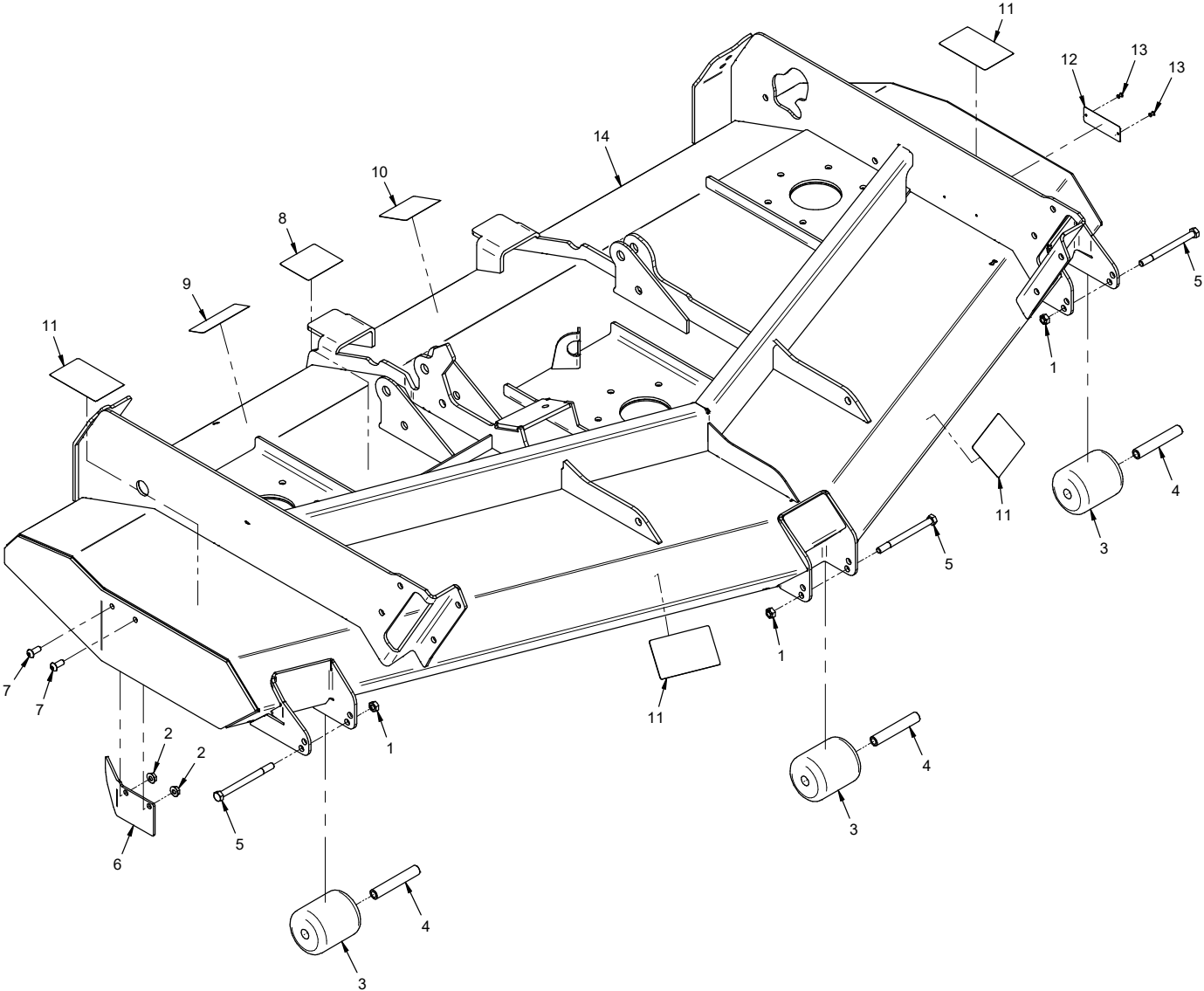
# TABLE OF CONTENTS

---

PARTS	PAGE 4
Main Frame, Right Side Baffle, & Front Anti-Scalp Rollers.....	4
Carrier Frame & Wheels .....	6
Wheel Components .....	8
Hitch Arms.....	10
Drive Shaft & Attachment Belt .....	12
Main Deck Belt, Pulleys, & Belt Tensioner .....	14
Spindles & Blades .....	16
Rear Roller & Roller Wiper Belting.....	18
Discharge Shield Belting .....	20
Height Adjust Linkage & Deck Slides .....	22
Main Deck Cover Shield.....	24
70.8167 Mulch Kit.....	26
70.8163 & 70.8214 Hydraulic Flip Up Kit.....	28

# PARTS

## ILLUSTRATED DRAWING Main Frame, Right Side Baffle, & Front Anti-Scalp Rollers



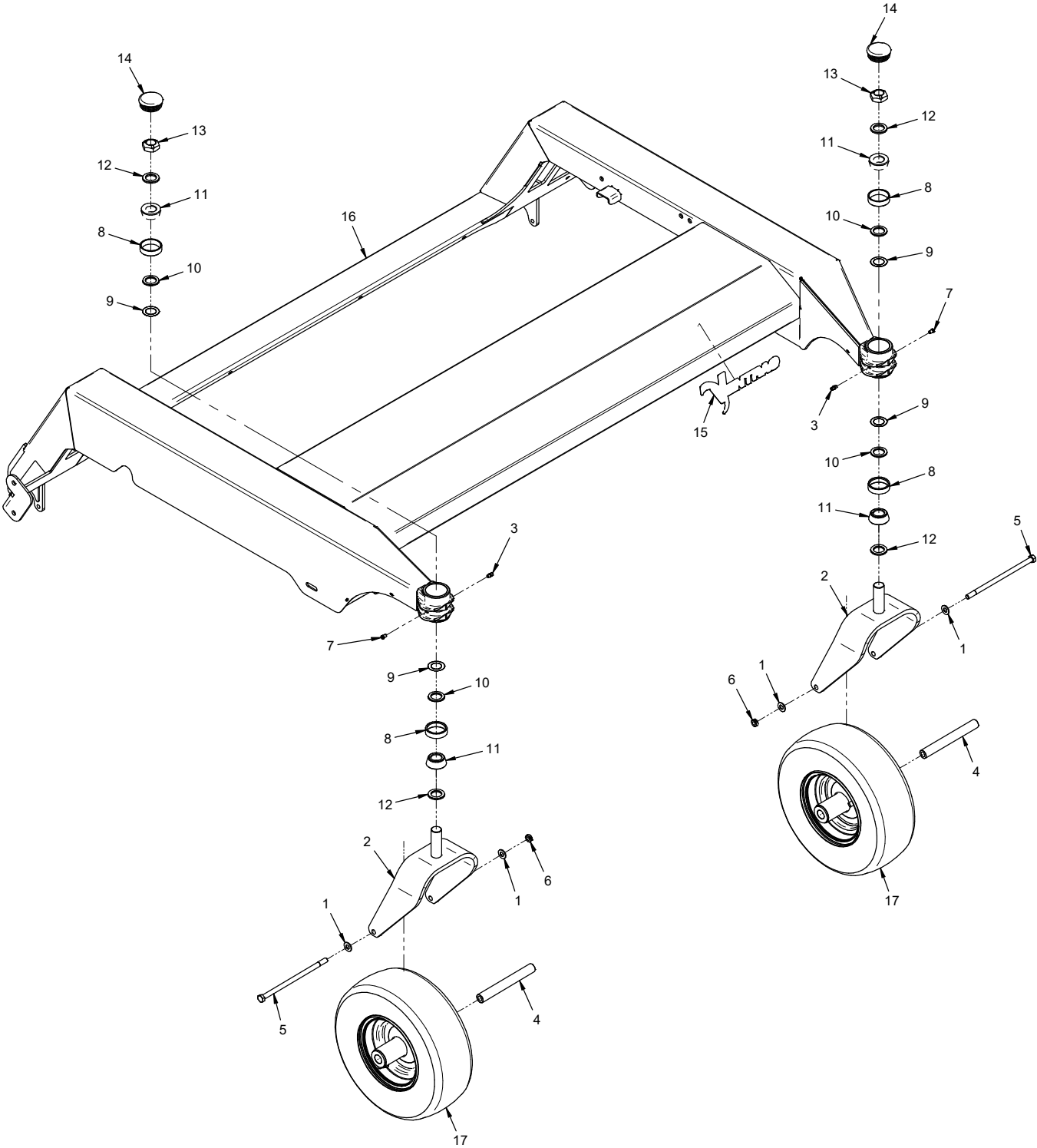
# PARTS

## Main Frame, Right Side Baffle, & Front Anti-Scalp Rollers

REF.	PART NO.	DESCRIPTION	QTY.
1.....	99.A06 .....	Locknut, Stover 3/8-16 USS .....	.3
2.....	99.SF05.....	Nut, SRF 5/16-18 USS .....	.2
3.....	50.0047 .....	Roller, Front 3" Dia X 3-1/2" .....	.3
4.....	50.0046 .....	Tube, Axle Front Roller .....	.3
5.....	90.0636 .....	Bolt, 3/8-16 USS x 4-1/2.....	.3
6.....	60.1294 .....	Baffle, Discharge .....	.1
7.....	99.0506 .....	Bolt, 5/16-18 x 3/4 BSCS .....	.2
8.....	00.0062 .....	Decal, Danger Shield Missing (Serial # 01001-01784).....	.1
8.....	00.0625 .....	Decal, Shield Missing (Serial # 01785-).....	.1
9.....	00.0102 .....	Decal, Danger - Pinching Hazard (Serial # 01001-01784).....	.1
9.....	00.0620 .....	Decal, Pinching or Crushing Hazard (Serial # 01785-).....	.1
10.....	00.0122 .....	Decal, Thrown Object Hazard (Serial # 01001-01784).....	.1
10.....	00.0627 .....	Decal, Thrown Object Hazard (Serial # 01785-).....	.1
11.....	00.0123 .....	Decal, Keep Hands & Feet Clear (Serial # 01001-01784).....	.4
11.....	00.0628 .....	Decal, Cutting Hazard Mower Blade (Serial # 01785-).....	.4
12.....	N/A .....	Plate, Ventrac Serial Number.....	.1
13.....	04.0003 .....	Rivet, Pop 1/8 X 3/8 SS.....	.2
14.....	62.1465 .....	Frame, Deck Weldment MU720 .....	.1

# PARTS

## ILLUSTRATED DRAWING Carrier Frame & Wheels



# PARTS

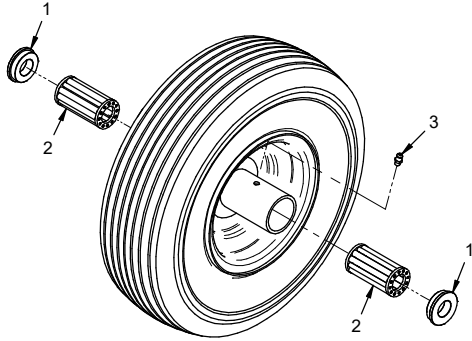
## Carrier Frame & Wheels

REF.	PART NO.	DESCRIPTION	QTY.
1	95.06	Washer, Flat 3/8 SAE	4
2	50.0195	Yoke, Caster 13" Wheel	2
3	29.GF0001	Grease Ftg, 1/4 SAE ST	2
4	50.0050	Tube, Swivel Axle	2
5	90.0660	Bolt, 3/8-16 USS x 7-1/2	2
6	99.A06C	Locknut, Center 3/8-16	2
7	29.GF0011	Grease Ftg, Plug 1/4-28	2
8	55.LM12710	Bearing, Cup	4
9	85.B0101	Bushing, .005 Spacer	4
10	85.B0099	Bushing, .875ID x 1.375OD x .120T	4
11	55.LM12749LA2	Bearing, Taper Roller Cone	4
12	99.B0119	Washer, Mach 7/8 x 1-3/8 x 10 GA	4
13	99.M0047	Locknut, Stover M22 X 1.5 ZP	2
14	05.0172	Plug, Ribbed Black LDPE	2
15	00.0383	Decal, Ventrac	1
16	70.8222	Kit, Carrier Frame & Discharge Belting (Serial # 01001-01484)	1
16	62.1464	Frame, Main Carrier MU720 (Serial # 01485-)	1
17	53.0155	Wheel, Asm 13 x 5 x 6 Caster (Serial # 01001-01700)	2
17	53.0148	Wheel, Asm 13x5x6 Rib Flatfree (Optional)	2
17	53.0216	Wheel, Asm 13 x 5 x 6 Caster (Serial # 01701 -01712)	2
17	53.0213	Wheel, Asm 13 x 5 x 6 Caster (Serial # 01713-)	2
17	53.0214	Wheel, Asm 13 x 5 x 6 Caster (Optional - black rim)	2

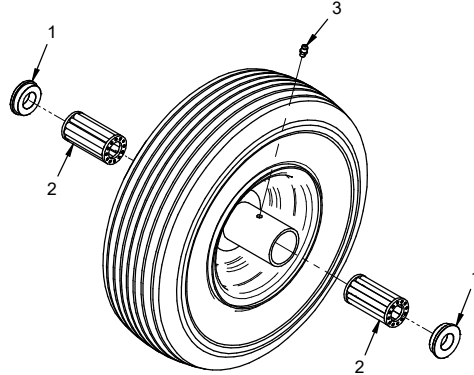
# PARTS

## ILLUSTRATED DRAWING Wheel Components

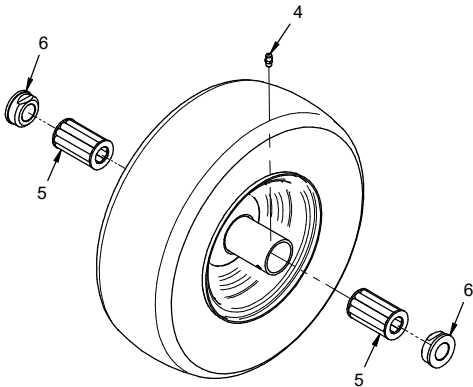
53.0155 - Standard White Rim (Serial # 01001-01700)



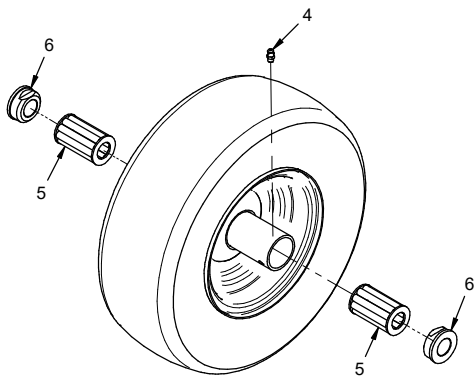
53.0148 - Optional Flatfree White Rim



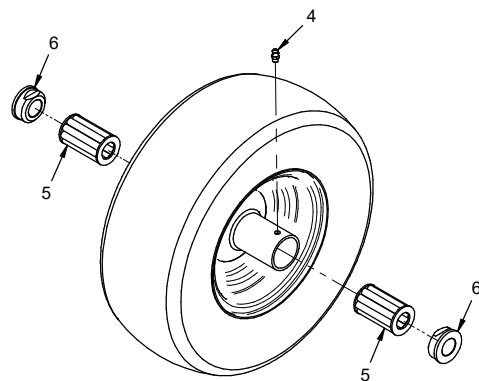
53.0216 - Standard White Rim (Serial # 01701-1712)



53.0213 - Standard Black Rim (Serial # 01713-)



53.0214 - Optional Flatfree Black Rim





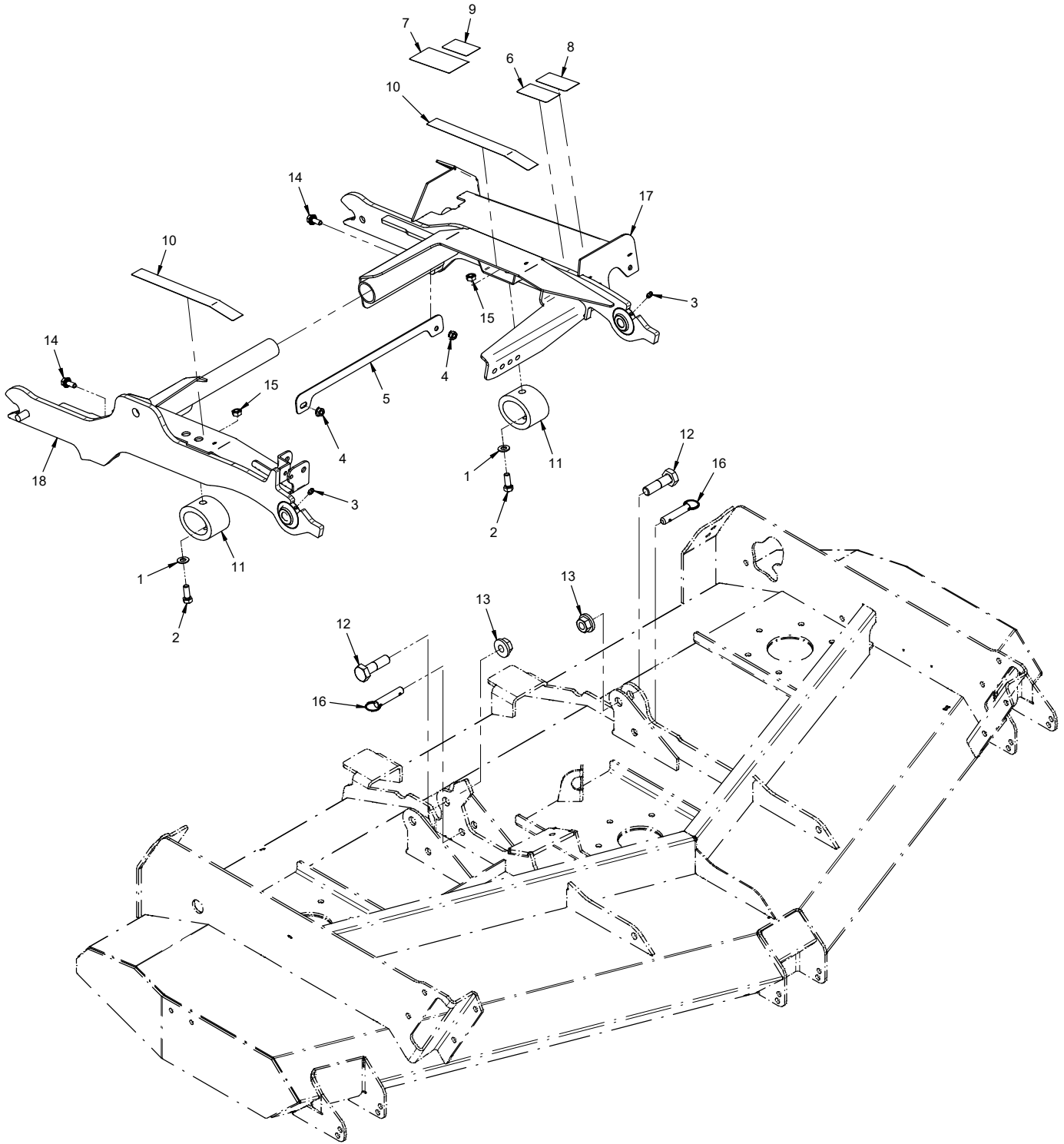
# PARTS

## Wheel Components

REF.	PART NO.	DESCRIPTION	QTY.
1.....	55.0072 .....	Bearing, Retainer 3/4" .....	2
2.....	55.0088 .....	Bearing, Roller Replacement .....	2
3.....	29.GF0001 .....	Grease Ftg, 1/4 SAE ST .....	1
4.....	29.GF0001 .....	Grease Ftg, 1/4 SAE ST .....	1
5.....	55.0116 .....	Bearing, Roller 2.25" Long. ....	2
6.....	55.0114 .....	Retainer, Roller Bearing 3/4" .....	2

# PARTS

## ILLUSTRATED DRAWING Hitch Arms



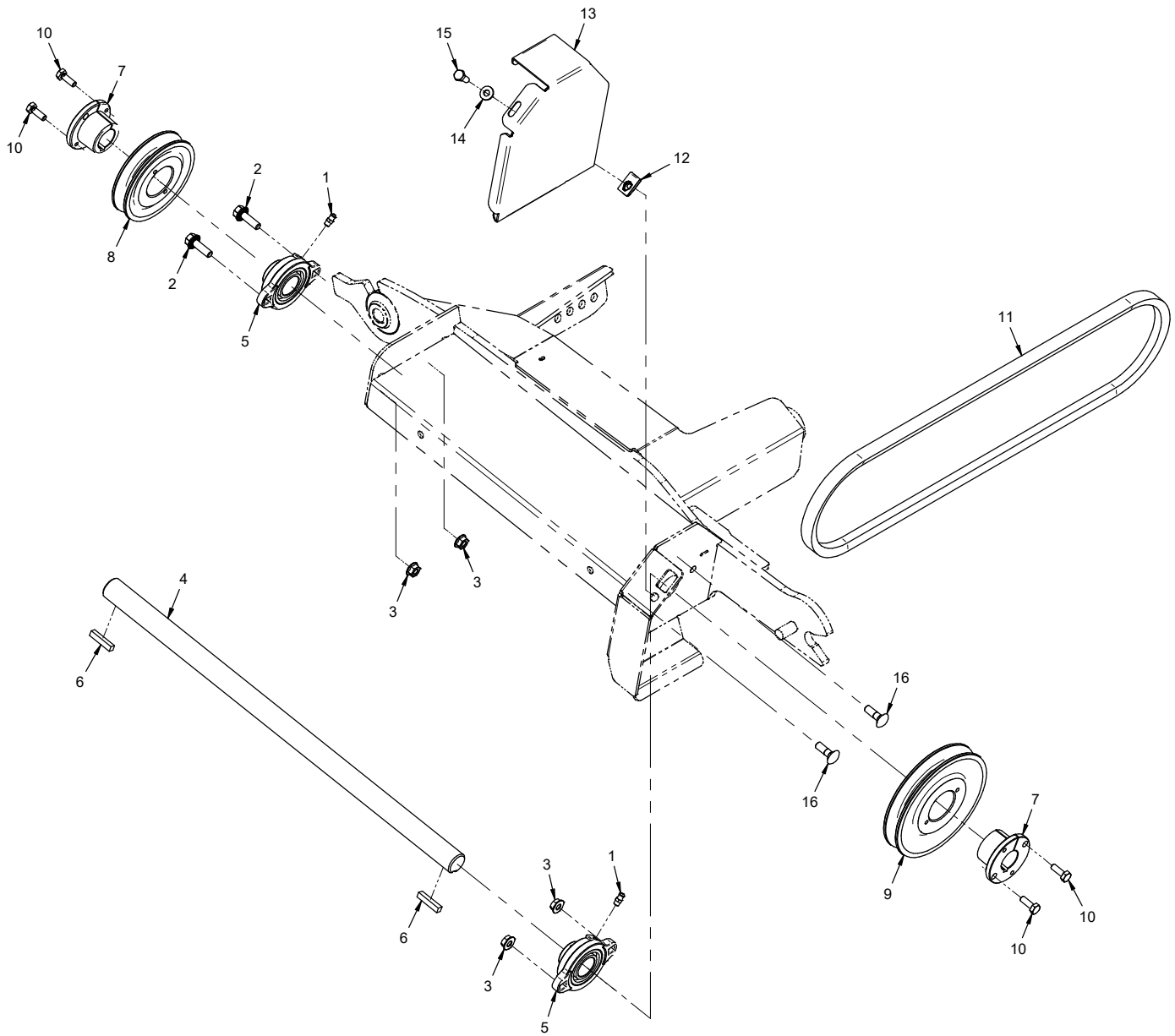
# PARTS

## Hitch Arms

REF.	PART NO.	DESCRIPTION	QTY.
1	95.06	Washer, Flat 3/8 SAE	2
2	90.0608	Bolt, 3/8-16 USS x 1	2
3	29.GF0001	Grease Ftg, 1/4 SAE ST	2
4	99.SF05	Nut, SRF 5/16-18 USS	2
5	64.1934	Brace, Hitch Arm Spacing	1
6	00.0217	Decal, Warning Read Owners Man (Serial # 01001-01784)	1
6	00.0619	Decal, Read Operator's Manual (Serial # 01785-)	1
7	00.0220	Decal, General Safety (Serial # 01001-01784)	1
8	00.0219	Decal, Warning Do Not Reach (Serial # 01001-01784)	1
8	00.0632	Decal, Moving Parts Hazard (Serial # 01785-)	1
9	00.0216	Decal, Warning Moving Parts (Serial # 01001-01784)	1
9	00.0631	Decal, Finger/Hand Entanglement (Serial # 01785-)	1
10	00.0427	Decal, Wear Resistant	2
11	05.0169	Bumper, Elastomer 1300 LBS PF	2
12	99.K0111	Bolt, 5/8-11 X 2-1/4 Grd A325	2
13	99.E0094	Locknut, 5/8-11 Flanged Stover	2
14	99.SF0506	Bolt, SRF 5/16-18 USS X 3/4	2
15	99.A06	Locknut, Stover 3/8-16 USS	2
16	03.0007	Pin, Ball 1/2 x 1.8"	2
17	62.1452	Hitch, Arm Left MS720	1
18	62.1453	Hitch, Arm Right MS720	1

# PARTS

## ILLUSTRATED DRAWING Drive Shaft & Attachment Belt



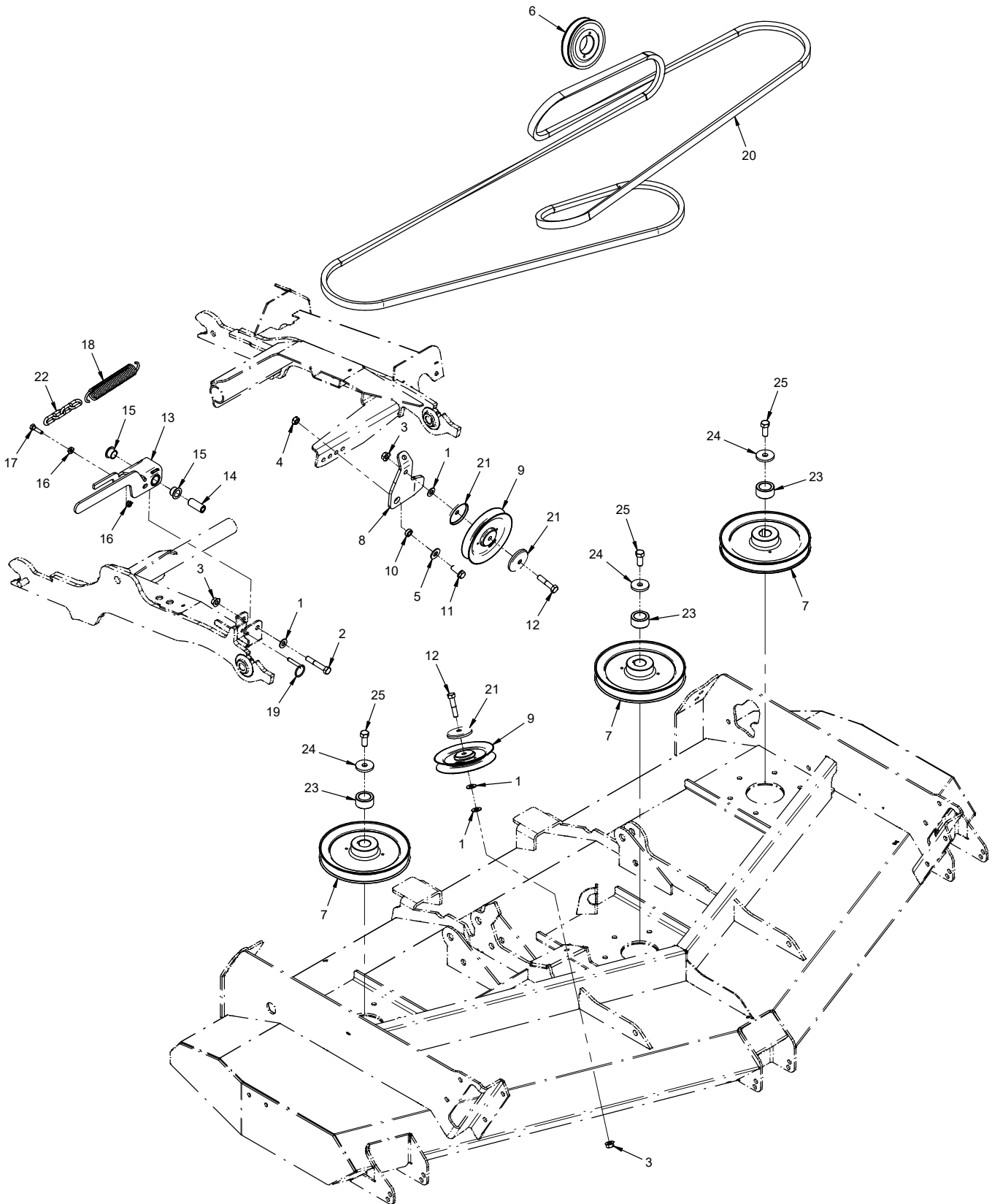
# PARTS

## Drive Shaft & Attachment Belt

REF.	PART NO.	DESCRIPTION	QTY.
1.....	29.GF0001.....	Grease Ftg, 1/4 SAE ST.....	.2
2.....	99.SF0508.....	Bolt, SRF 5/16-18 USS X 1.....	.2
3.....	99.SF05.....	Nut, SRF 5/16-18 USS.....	.4
4.....	80.0389.....	Shaft, Hitch Arm.....	.1
5.....	55.FB16016-1.....	Bearing, Flange Block 1".....	.2
6.....	85.K0410.....	Key, 1/4 X 1-1/4.....	.2
7.....	83.H16S.....	Bushing, 1" Split 1/4" Key.....	.2
8.....	83.BK45H.....	Pulley, 4.5" H-Bush.....	.1
9.....	83.BK55H.....	Pulley, 5.5" H-Bushing.....	.1
10.....	90.0406.....	Bolt, 1/4-20 USS x 3/4".....	.4
11.....	81.B045.....	Belt, B45.....	.1
12.....	99.E0046.....	Nut, "U" 1/4-20 Extruded.....	.1
13.....	60.0665.....	Shield, Drive Pulley.....	.1
14.....	95.04.....	Washer, Flat 1/4 SAE.....	.1
15.....	90.0406.....	Bolt, 1/4-20 USS x 3/4".....	.1
16.....	99.SF0508.....	Bolt, SRF 5/16-18 USS X 1 (Serial # 01001-01580).....	.2
16.....	97.0508.....	Bolt, Carriage 5/16-18 x 1 (Serial # 01581-).....	.2

# PARTS

## ILLUSTRATED DRAWING Main Deck Belt, Pulleys, & Belt Tensioner



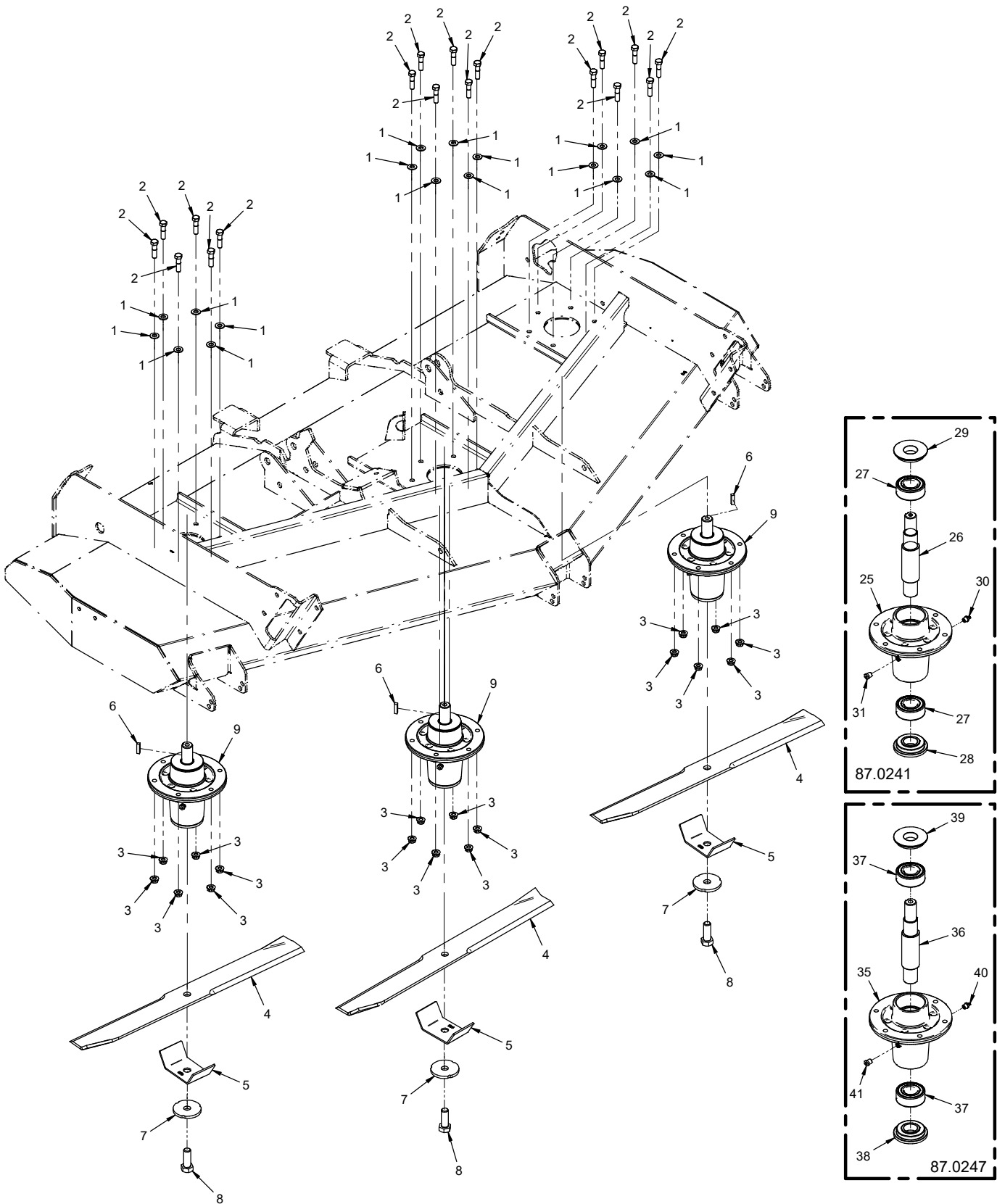
# PARTS

## Main Deck Belt, Pulleys, & Belt Tensioner

REF.	PART NO.	DESCRIPTION	QTY.
1	95.06	Washer, Flat 3/8 SAE	4
2	90.0618	Bolt, 3/8-16 USS x 2-1/4	1
3	99.SF06	Nut, SRF 3/8-16 USS	3
4	99.A06	Locknut, Stover 3/8-16 USS	1
5	94.06	Washer, Flat 3/8 USS	1
6	83.BK45H	Pulley, 4.5" H-Bush	1
7	83.0080	Pulley, 7-1/2, 25MM STR Bore	3
8	40.0399	Idler Arm, Belt Tension	1
9	83.0031	Pulley, V-Idler 5-1/16 x 3/8ID	2
10	64.0602	Bushing, 3/8 x 5/8 x .265	1
11	99.SF0608	Bolt, SRF 3/8-16 USS x 1	1
12	90.0614	Bolt, 3/8-16 USS x 1-3/4	2
13	70.8218	Kit, Belt Tension/Cylinder Lock (2 parts)	1
14	64.1936	Bushing, Belt Tension Pivot	1
15	85.B0088	Bushing, 5/8 ID X 3/4 OD X 1/2	2
16	99.SF04	Nut, SRF 1/4-20 USS	2
17	90.0408	Bolt, 1/4-20 USS x 1"	1
18	41.0048	Spring, Ext. 1 OD X 6	1
19	03.0022	Pin, Ball 1/4" x 1"	1
20	81.5001	Belt, B180 Custom	1
21	60.1056	Cover, Pulley	3
22	81.0160	Chain, 1/8 Plated x 4 Links	1
23	64.1976	Bushing, 1ID X 1.5OD X .750L	3
24	99.B0128	Washer, .323 ID x 1.50 OD (Serial # 01001-01244)	3
24	99.B0134	Washer, .448 ID x 1.50 OD (Serial # 01245-)	3
25	99.SF0508-8	Bolt, SRF 5/16-18 X 1 GR8 (Serial # 01001-01244)	3
25	91.0708-8	Bolt, 7/16-20 x 1 Gr8 (Serial # 01245-)	3

# PARTS

## ILLUSTRATED DRAWING Spindles & Blades





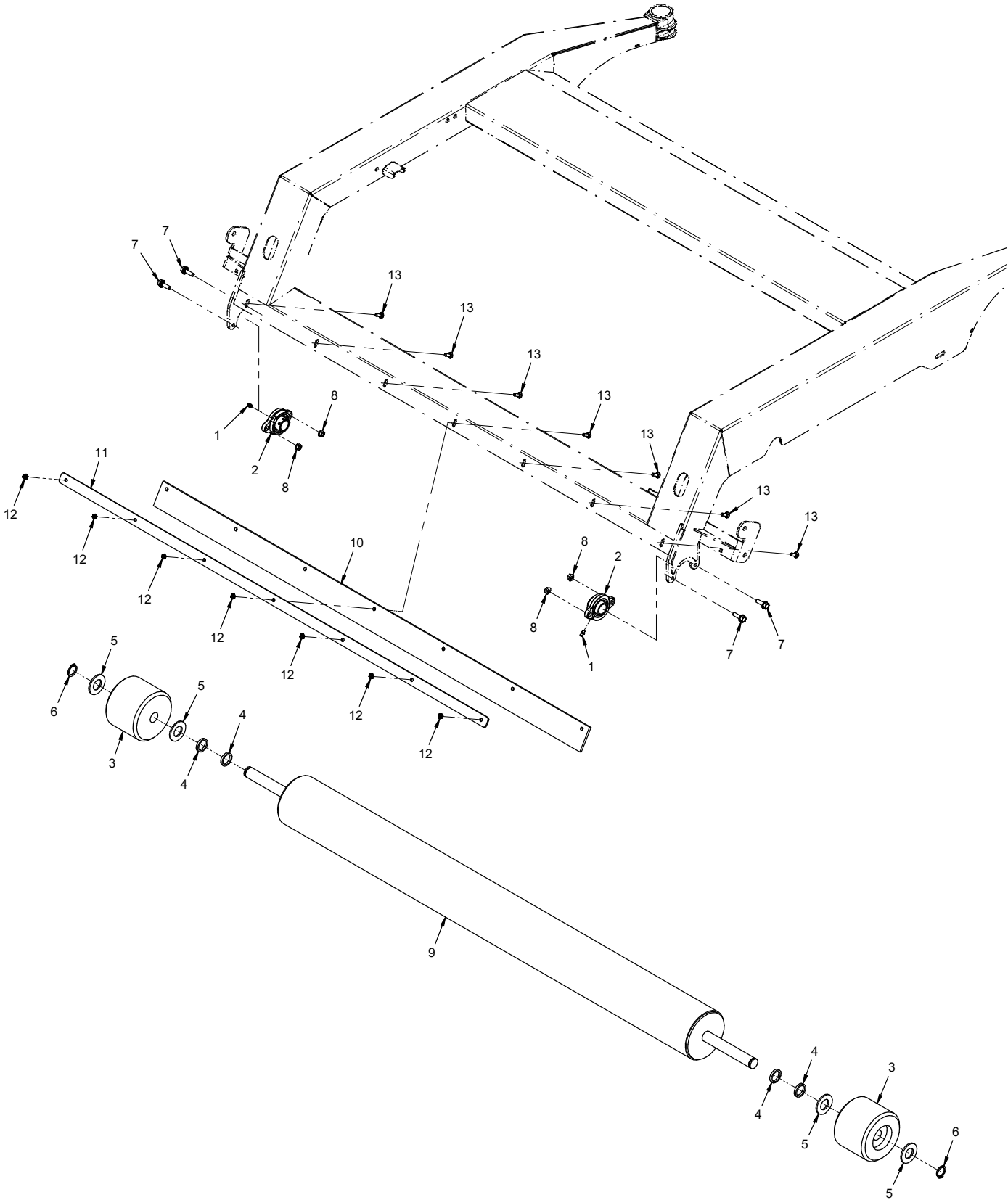
# PARTS

## Spindles & Blades

REF.	PART NO.	DESCRIPTION	QTY.
1	95.06	Washer, Flat 3/8 SAE	18
2	90.0612	Bolt, 3/8-16 USS x 1-1/2	18
3	99.E0082	Nut, Locking Flange 3/8-16	18
4	79.0104	Blade, 25x5/8 RH S Lowlift	3
4	79.0105	Blade, 25x5/8 RH S Highlift (Optional)	3
4	79.0107	Blade, 25 X 5/8 RH S Gator (Optional)	3
4	79.0106	Blade, 24-15/16x5/8 RH F Mulch (Optional)	3
5	64.2003	Guard, Spindle/Anti-String	3
6	85.K0408	Key, 1/4 X 1	3
7	99.B0097	Washer, .635 ID X 2-1/2 OD 1/4	3
8	91.1014	Bolt, 5/8-18 SAE x 1-3/4	3
9	87.0241	Spindle, Asm HD RH (Serial # 01001-01244)	3
9	87.0247	Spindle, Asm HD AL RH (Serial # 01245-)	3
25	87.0241-1	Housing, Spindle AL	1
26	87.0241-2	Shaft, Spindle RH	1
27	55.0095	Bearing, Ball 30MM x 62MM	2
28	87.0224-3	Shield, Spindle Bottom	1
29	87.0225-3	Shield, Spindle Top	1
30	29.GF0004	Grease Ftg, 1/8 NPT St	1
31	29.GF0017	Fitting, Relief	1
35	87.0241-1	Housing, Spindle AL	1
36	87.0247-2	Shaft, Spindle RH	1
37	55.0095	Bearing, Ball 30MM x 62MM	2
38	87.0224-3	Shield, Spindle Bottom	1
39	87.0225-3	Shield, Spindle Top	1
40	29.GF0004	Grease Ftg, 1/8 NPT St	1
41	29.GF0017	Fitting, Relief	1

# PARTS

## ILLUSTRATED DRAWING Rear Roller & Roller Wiper Belting



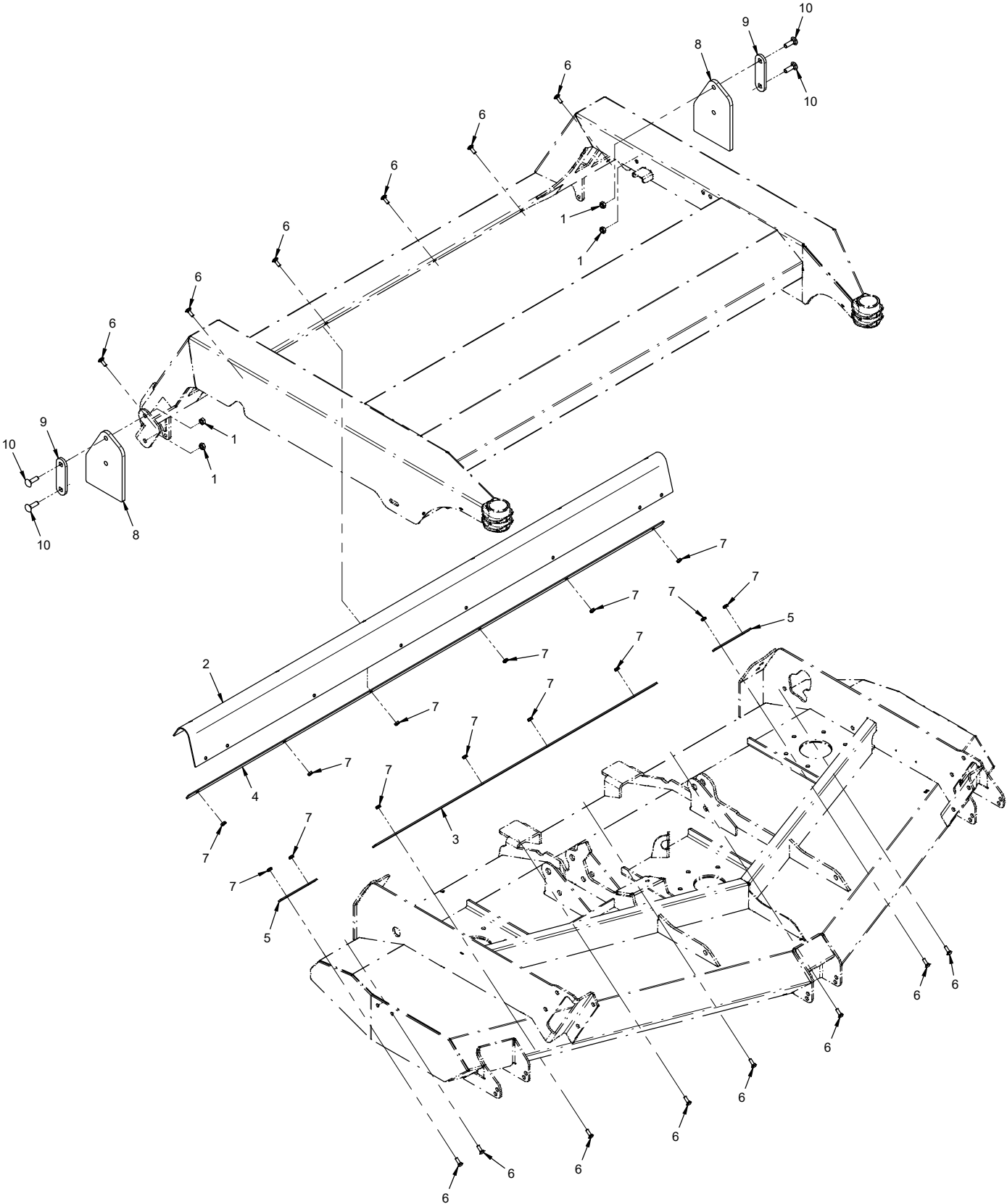
# PARTS

## Rear Roller & Roller Wiper Belting

REF.	PART NO.	DESCRIPTION	QTY.
1.....	29.GF0001.....	Grease Ftg, 1/4 SAE ST.....	2
2.....	55.FB16016-2.....	Bearing, 2 Bolt Flange 1".....	2
3.....	50.0194.....	Roller, End 5" Dia x 4" Long.....	2
4.....	64.1930.....	Spacer, Rear Roller End.....	4
5.....	95.16.....	Washer, Flat 1 SAE.....	4
6.....	04.0025.....	Snap Ring, Ext.1 Shft .078 Thk.....	2
7.....	99.SF0508.....	Bolt, SRF 5/16-18 USS X 1.....	4
8.....	99.SF05.....	Nut, SRF 5/16-18 USS.....	4
9.....	80.0388.....	Roller, Rear MS720.....	1
10.....	44.0361.....	Belting, Roller Wiper.....	1
11.....	64.1871.....	Clamp, Roller Wiper.....	1
12.....	99.A04.....	Locknut, Stover 1/4-20 USS.....	7
13.....	97.0406.....	Bolt, Carriage 1/4-20 X 3/4.....	7

# PARTS

## ILLUSTRATED DRAWING Discharge Shield Belting



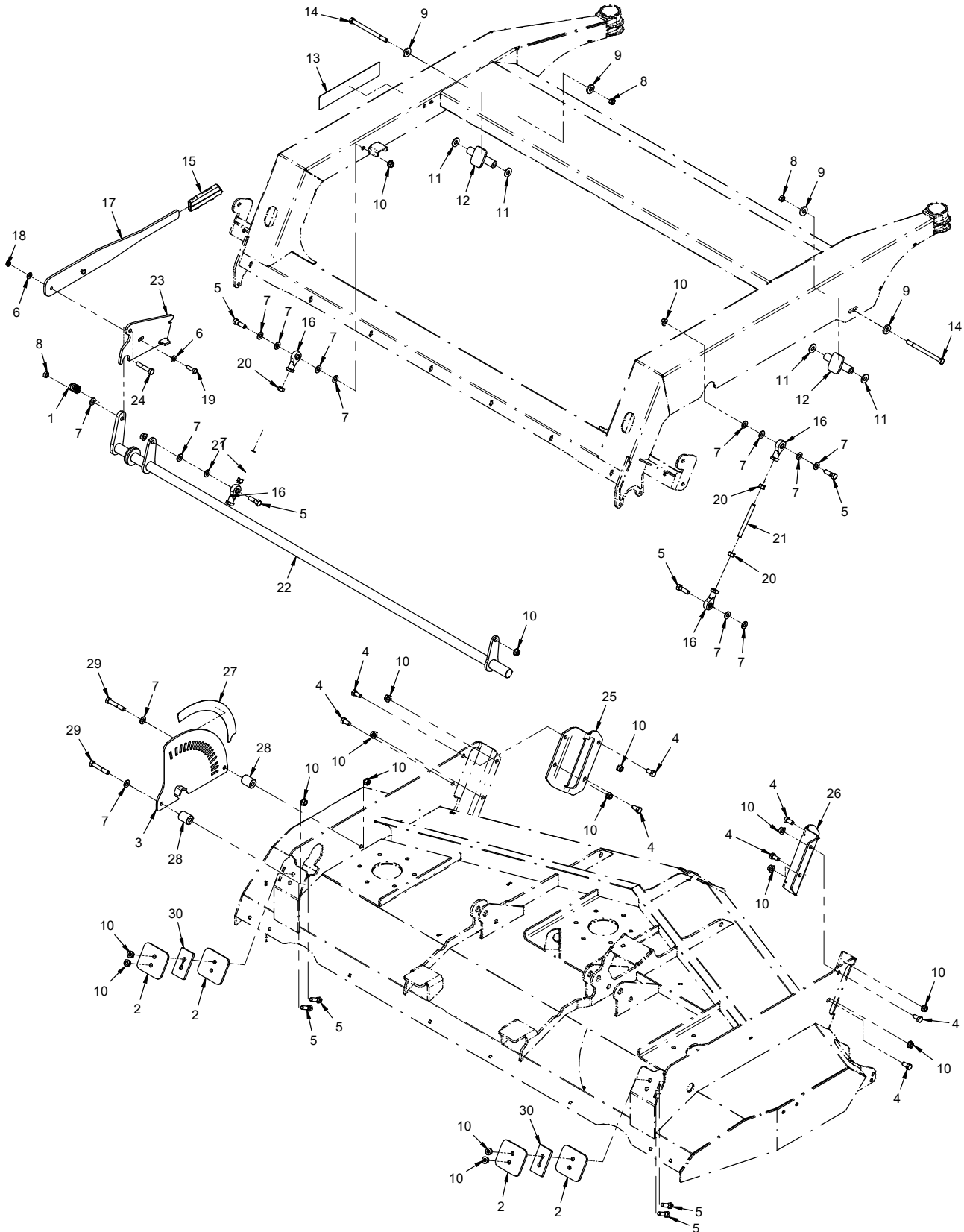
# PARTS

## Discharge Shield Belting

REF.	PART NO.	DESCRIPTION	QTY.
1.....	99.A06 .....	Locknut, Stover 3/8-16 USS .....	4
2.....	44.0385 .....	Belting, Discharge Shield (Serial # 01001-01484).....	1
2.....	44.0414 .....	Belting, Discharge Shield (Serial # 01485-).....	1
3.....	64.1967 .....	Clamp, Center Rear Discharge .....	1
4.....	64.1983 .....	Clamp, Rear Discharge Belting .....	1
5.....	64.1968 .....	Clamp, End Rear Discharge .....	2
6.....	97.0406 .....	Bolt, Carriage 1/4-20 X 3/4.....	14
7.....	99.A04 .....	Locknut, Stover 1/4-20 USS .....	14
8.....	44.0388 .....	Belting, Side Guard .....	2
9.....	64.1986 .....	Clamp, Side Guard.....	2
10.....	97.0610 .....	Bolt, Carriage 3/8-16 x 1-1/4 .....	4

# PARTS

## ILLUSTRATED DRAWING Height Adjust Linkage & Deck Slides



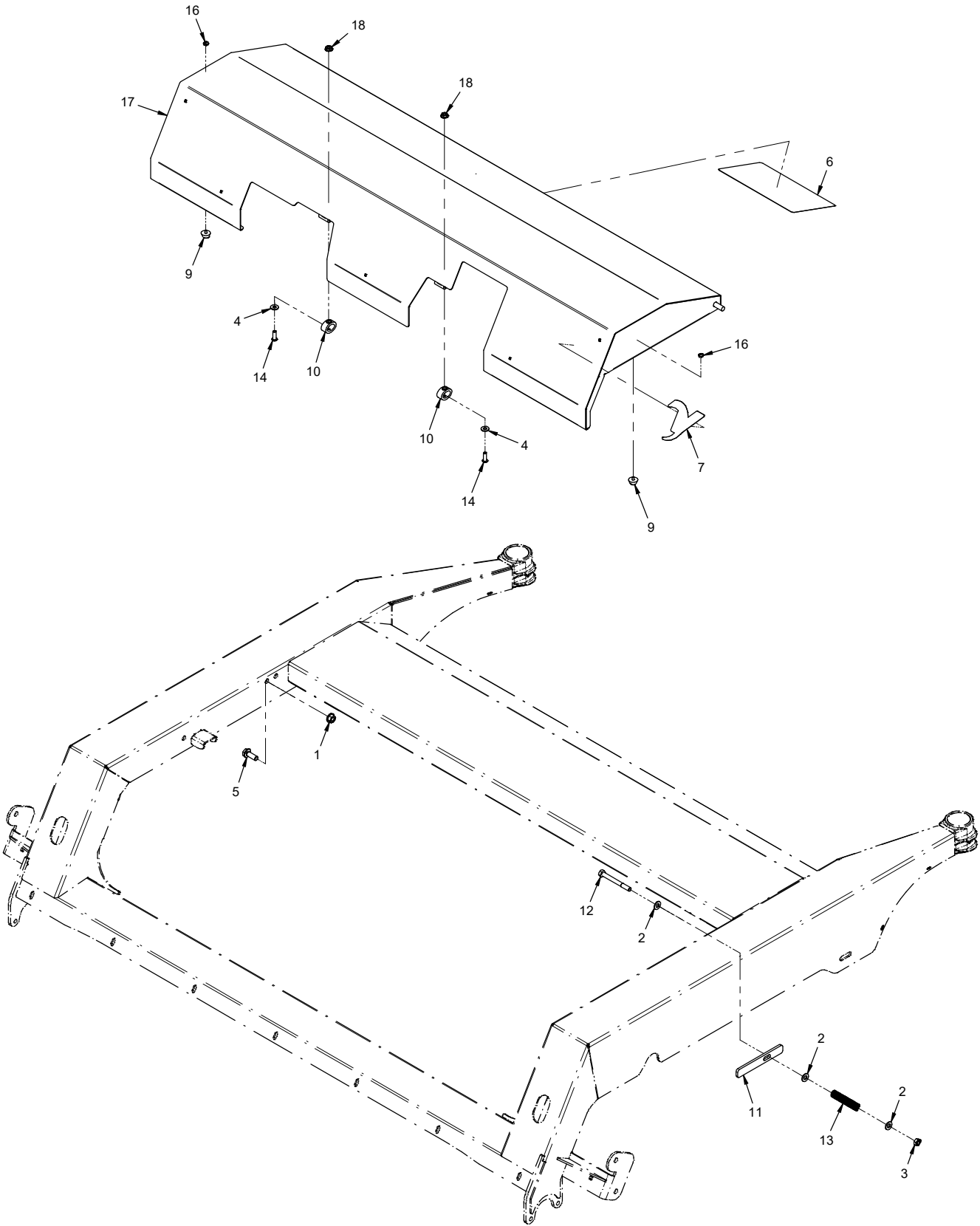
# PARTS

## Height Adjust Linkage & Deck Slides

REF.	PART NO.	DESCRIPTION	QTY.
1.....	41.0039 .....	.Spring, Comp 9/16 OD x 5/8 (Serial # 01001-01100).....	.1
1.....	41.0119 .....	.Spring, Comp .785 OD x 1 LG (Serial # 01101-).....	.1
2.....	64.1179 .....	.Plate, Rear Slide Retainer .....	.4
3.....	64.1961 .....	.PLATE, HEIGHT ADJUST SELECTOR .....	.1
4.....	90.0606 .....	.Bolt, 3/8-16 USS x 3/4.....	.8
5.....	90.0610 .....	.Bolt, 3/8-16 USS x 1-1/4.....	.8
6.....	95.05 .....	.Washer, Flat 5/16 SAE.....	.2
7.....	95.06 .....	.Washer, Flat 3/8 SAE.....	.15
8.....	99.A06 .....	.Locknut, Stover 3/8-16 USS .....	.3
9.....	99.G0014 .....	.Washer, 3/8 USS FW .165 Thk .....	.4
10.....	99.SF06.....	.Nut, SRF 3/8-16 USS .....	.18
11.....	94.06.....	.Washer, Flat 3/8 USS.....	.4
12.....	64.1180 .....	.Tube, Front Slide .....	.2
13.....	00.0426 .....	.Decal, Cut Height Position Key .....	.1
14.....	90.0640 .....	.Bolt, Hex 3/8-16 UNC x 5.....	.2
15.....	47.0086 .....	.Grip, Slip-On Handle - Black.....	.1
16.....	43.006.....	.Rod End, 3/8 Spherical, Female .....	.4
17.....	64.1911 .....	.Lever, Height Adjuster .....	.1
18.....	99.A05 .....	.Locknut, Stover 5/16-18 USS.....	.1
19.....	90.0508 .....	.Bolt, Hex 5/16-18 UNC x 1".....	.1
20.....	93.06 .....	.Nut, Hex 3/8-24 UNF.....	.4
21.....	99.J0630NFZ.....	.Rod, Threaded 3/8-24 x 5-3/8.....	.2
22.....	42.0579 .....	.Shaft, Ht Adj Crossbar MS720 .....	.1
23.....	64.1910 .....	.Bracket, Height Adjuster .....	.1
24.....	90.0612 .....	.Bolt, Hex 3/8-16 USS x 1-1/2 (Serial # 01001-01100).....	.1
24.....	90.0616 .....	.Bolt, Hex 3/8-16 USS x 2 (Serial # 01101-).....	.1
25.....	64.1904 .....	.Bracket, Front Slide Left.....	.1
26.....	64.1905 .....	.Bracket, Front Slide Right .....	.1
27.....	00.0425 .....	.Decal, Cut Height Position .....	.1
28.....	64.0905 .....	.Tube, RD 7/16 X 1 X 1-1/4L.....	.2
29.....	90.0618 .....	.Bolt, Hex 3/8-16 UNC x 2-1/4.....	.2
30.....	64.1181 .....	.Spacer, Rear Slide .....	.2

# PARTS

## ILLUSTRATED DRAWING Main Deck Cover Shield





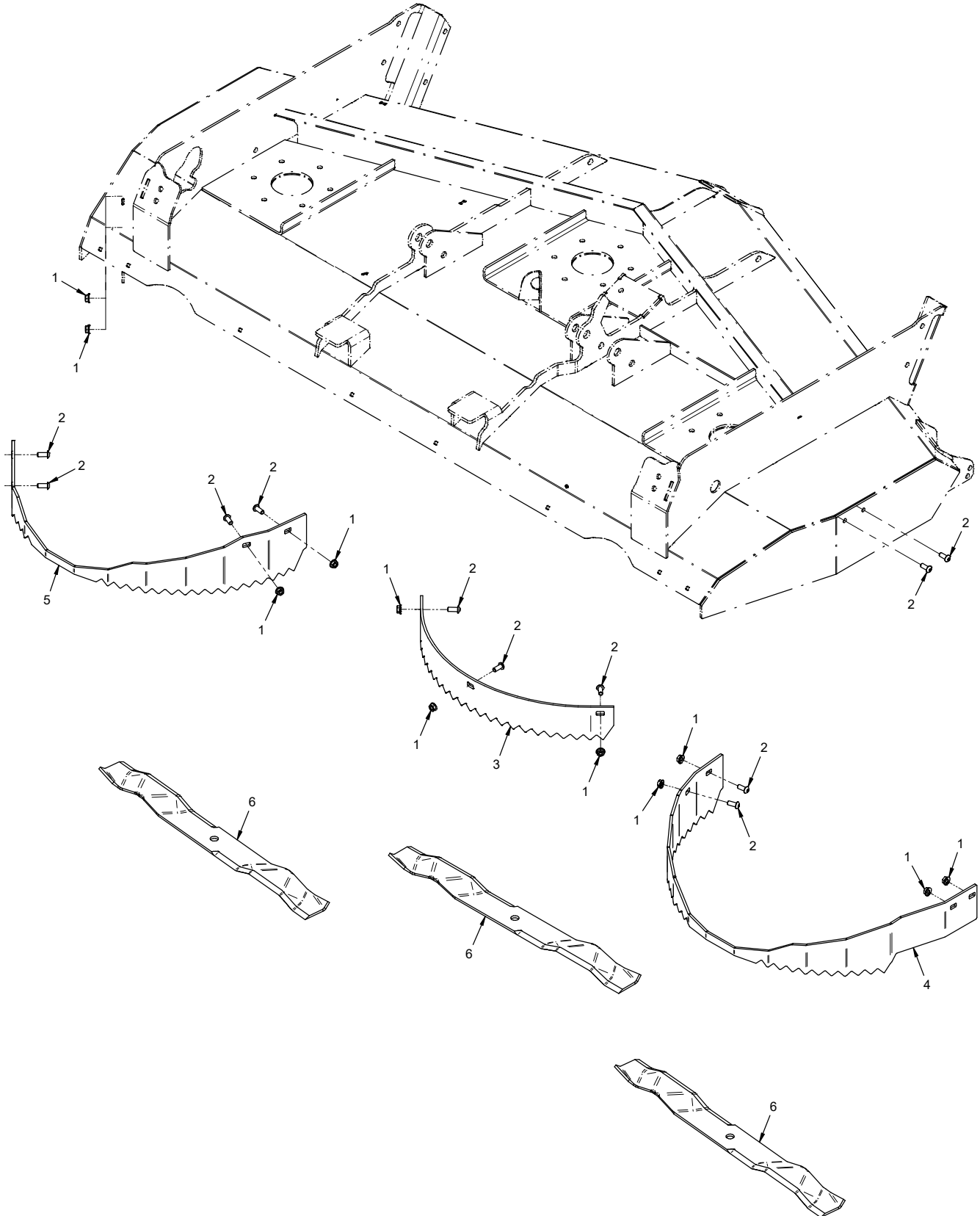
# PARTS

## Main Deck Cover Shield

REF.	PART NO.	DESCRIPTION	QTY.
1	99.SF06	Nut, SRF 3/8-16 USS	1
2	95.05	Washer, Flat 5/16 SAE	3
3	99.A05	Locknut, Stover 5/16-18 USS	1
4	95.04	Washer, Flat 1/4 SAE	2
5	99.SF0608	Bolt, SRF 3/8-16 UNC x 1	1
6	00.0428	Decal, Mower Maintenance	1
7	00.0192	Decal, V-Decal Die Cut Blue	1
9	05.0171	Bumper, Neoprene 60 Duro	2
10	05.0170	Bumper, Elastomer 125 Lbs PF	2
11	64.0682	Bracket, Shield Spring	1
12	90.0524	Bolt, Hex 5/16-18 UNC x 3"	1
13	41.0021	Spring, Comp 1/2 OD X 2-3/4 LG	1
14	99.0406	Bolt, 1/4-20 x 3/4 BSCS	2
16	99.E0104	Nut, Jam #8-32 Nylon Lock	2
17	60.1268	Shield, Main Deck Cover MS720	1
18	99.SF04	Nut, SRF 1/4-20 USS	2

# PARTS

## ILLUSTRATED DRAWING 70.8167 Mulch Kit



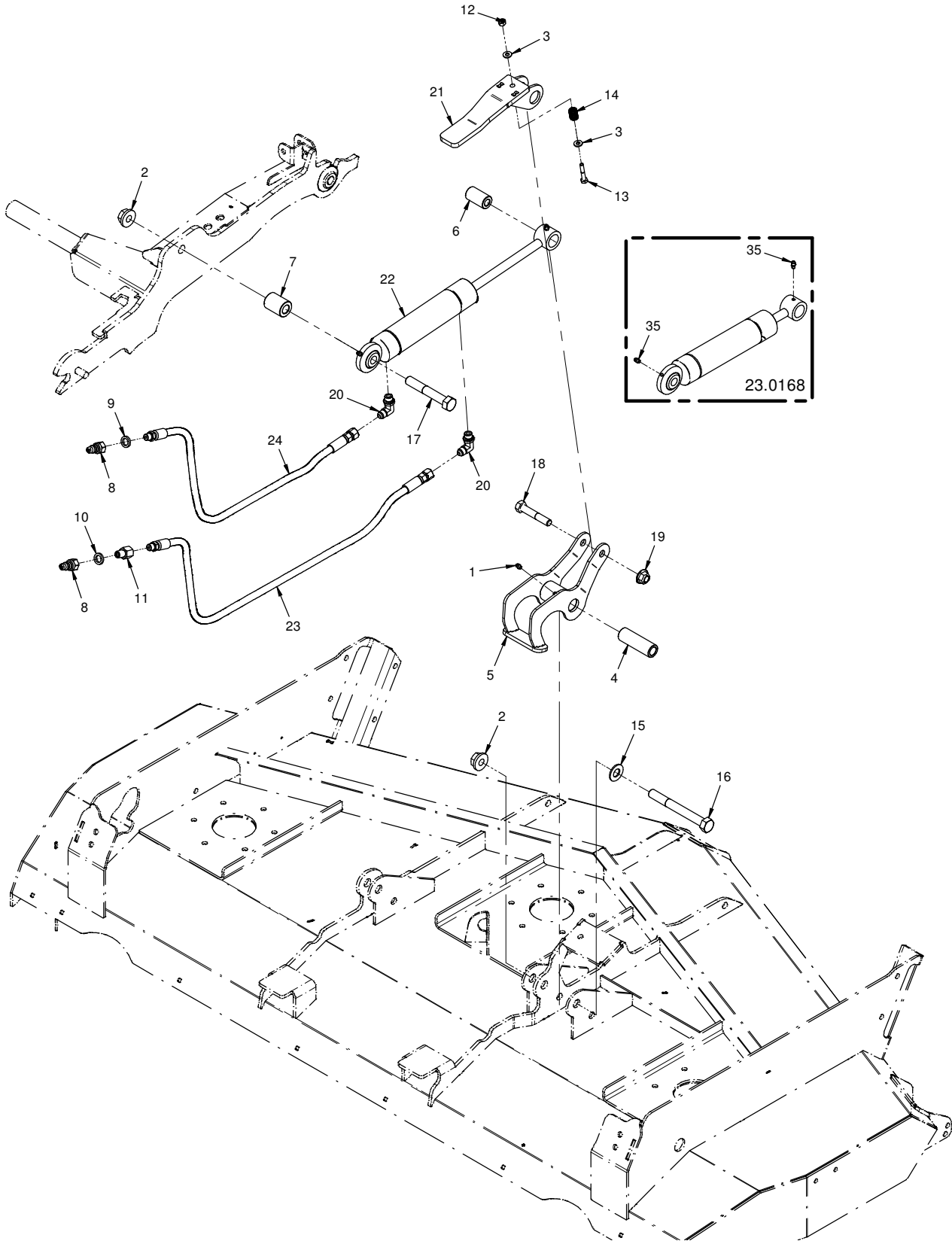
# PARTS

## 70.8167 Mulch Kit

REF.	PART NO.	DESCRIPTION	QTY.
1.....	99.SF05.....	Nut, SRF 5/16-18 USS.....	11
2.....	99.0506.....	Bolt, 5/16-18 x 3/4 BSCS.....	11
3.....	64.1992.....	Ring, Mulching Baffle Center.....	1
4.....	64.1993.....	Ring, Mulching Baffle Right.....	1
5.....	64.1994.....	Ring, Mulching Baffle Left.....	1
6.....	79.0106.....	Blade, 24-15/16x5/8 RH F Mulch.....	3

# PARTS

## ILLUSTRATED DRAWING 70.8163 & 70.8214 Hydraulic Flip Up Kit



# PARTS

## 70.8163 & 70.8214 Hydraulic Flip Up Kit

REF.	PART NO.	DESCRIPTION	QTY.
1	29.GF0001	Grease Ftg, 1/4 SAE ST	.1
2	99.E0094	Locknut, 5/8-11 Flanged Stover	.2
3	95.04	Washer, Flat 1/4 SAE	.2
4	64.1975	Bushing, .641 x 1.00 x 3.094L	.1
5	64.1972	Bracket, Flip Up Rocker	.1
6	64.1973	Bushing, .516ID X 1 OD X 1.75 L	.1
7	64.1974	Bushing, .656 x 1.25 x 1.625L	.1
8	23.0104	Coupler, Quick Male 1/4	.2
9	05.0117	Washer, .544 ID x .817 x .14 Yel	.1
10	05.0116	Washer, .544 ID x .817 x .14 Red	.1
11	29.0092	Fitting, .025 Orifice 1/4 Pipe	.1
12	99.A04N	Locknut, Nylon 1/4-20	.1
13	90.0412	Bolt, 1/4-20 USS x 1-1/2	.1
14	41.0108	Spring, Comp. .531 OD X .780 LG	.1
15	95.10	Washer, Flat 5/8 SAE	.1
16	90.1044	Bolt, 5/8-11 USS x 5-1/2	.1
17	90.1032	Bolt, 5/8-11 USS x 4	.1
18	90.0822	Bolt, 1/2-13 USS x 2-3/4	.1
19	99.E0103	Nut, Locking Flange 1/2-13	.1
20	25.6801-06-06	Fitting, 90 ME 3/8 x 3/8	.2
21	70.8218	Kit, Belt Tensioner/Cylinder Lock (2 parts)	.1
22	23.0168	Cylinder, 1-3/4" X 5-1/4"	.1
23	20.0169	Hose, 1/4x38.00 SAE 100R17 AR	.1
24	20.0166	Hose, 1/4x35.00 SAE 100R17 AR	.1
35	29.GF0001	Grease Ftg, 1/4 SAE ST	.2