

Parts Manual

MU720

Rear Discharge Mower

Europe CE



Revised 08/25/23
09.20046 Rev. 04



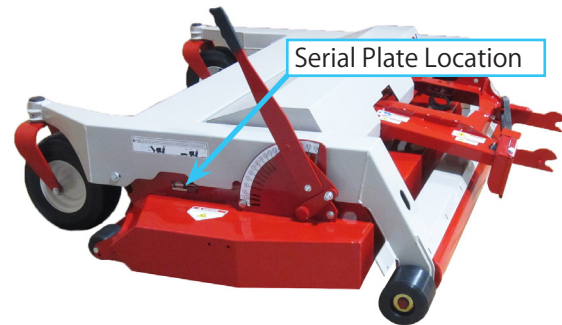
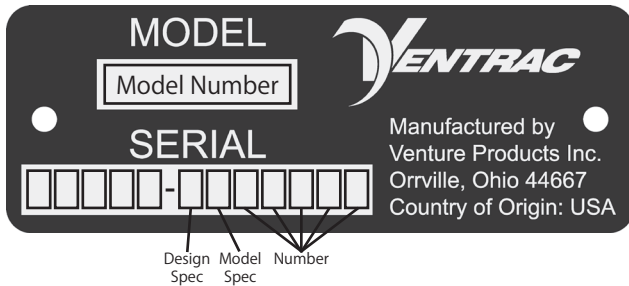
500 Venture Drive
Orrville Oh 44667
www.ventrac.com

[View all manuals](#)



Visit ventrac.com/manuals for the latest version of this operator's manual. A downloadable parts manual is also available.

Serial Number Description



Notes

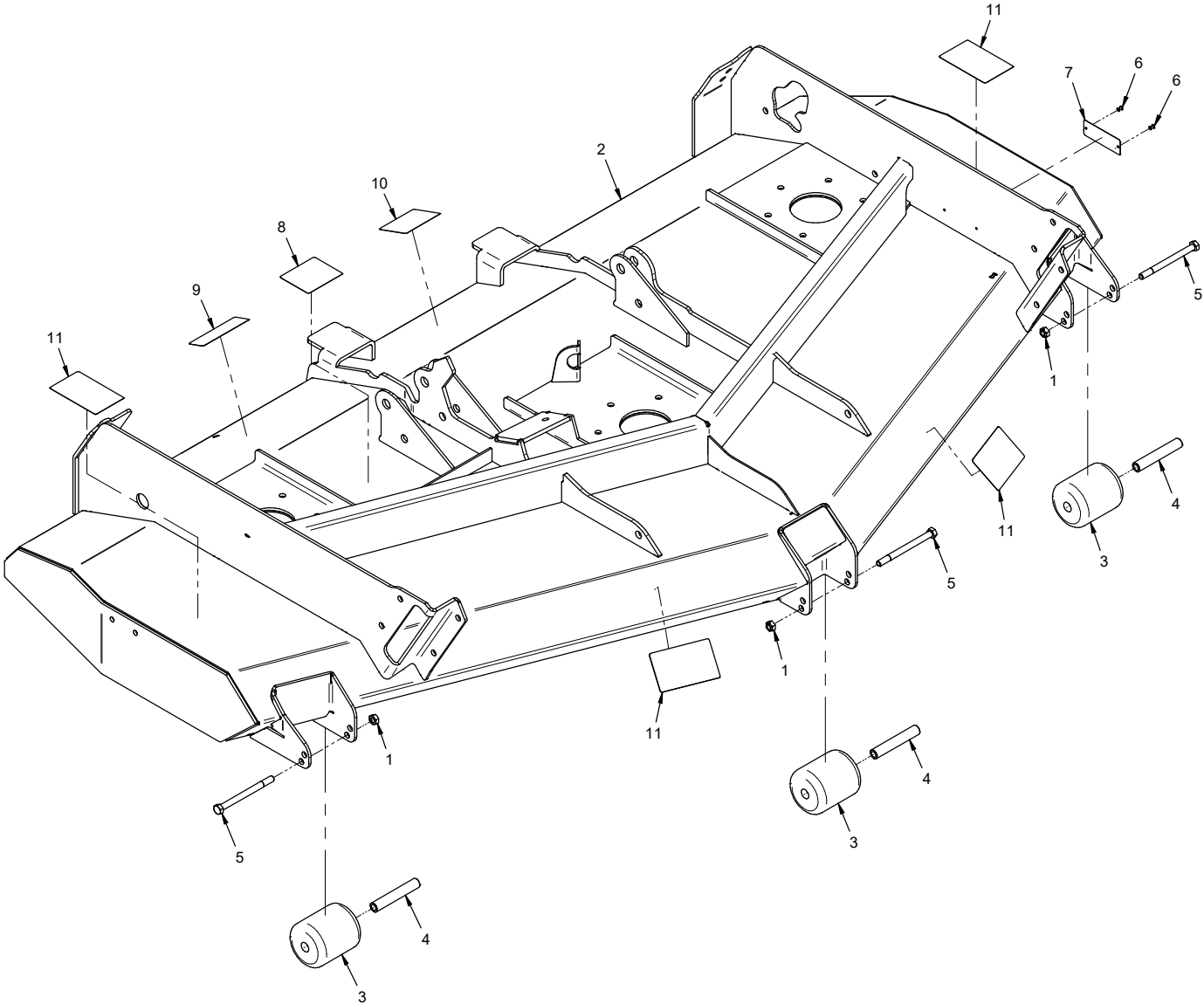
- If any component requires replacement, use only original Ventrac replacement parts.
- When ordering new components, be sure to order all required safety decals. All current safety decals must be affixed to the replacement components prior to installation of the component.

TABLE OF CONTENTS

PARTS	PAGE 4
Main Frame & Front Anti-Scalp Rollers	4
Carrier Frame & Wheels	6
Wheel Components	8
Hitch Arms.....	10
Drive Shaft & Attachment Belt	12
Main Deck Belt, Pulleys, & Belt Tensioner	14
Spindles & Blades	16
Mulch Rings	18
Rear Roller & Roller Wiper Belting.....	20
Discharge Shield Belting	22
Height Adjust Linkage & Deck Slides	24
Main Deck Cover Shield.....	26
70.8163 & 70.8214 Hydraulic Flip Up Kit.....	28

PARTS

ILLUSTRATED DRAWING Main Frame & Front Anti-Scalp Rollers



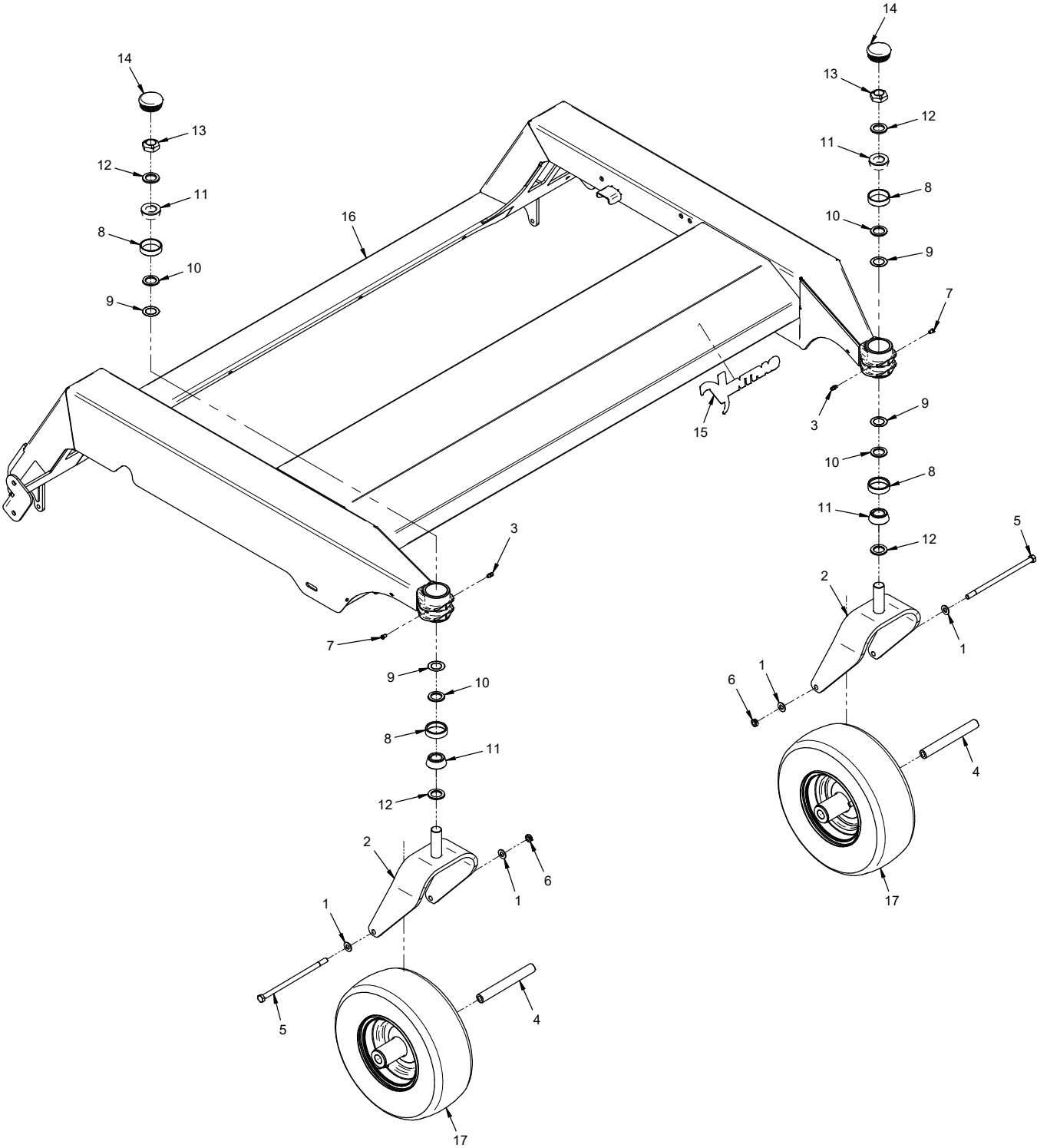
PARTS

Main Frame & Front Anti-Scalp Rollers

REF.	PART NO.	DESCRIPTION	QTY.
1.....	99.A06	Locknut, Stover 3/8-16 USS3
2.....	62.1465	Frame, Deck Weldment MU7201
3.....	50.0047	Roller, Front 3" Dia X 3-1/2"3
4.....	50.0046	Tube, Axle Front Roller3
5.....	90.0636	Bolt, 3/8-16 USS x 4-1/2.....	.3
6.....	04.0003	Rivet, Pop 1/8 X 3/8 SS.....	.2
7.....	N/A	Plate, Ventrac Serial Number.....	.1
8.....	00.0062	Decal, Danger Shield Missing (Serial # 01001-01784).....	.1
8.....	00.0625	Decal, Shield Missing (Serial # 01785-).....	.1
9.....	00.0102	Decal, Danger - Pinching Hazard (Serial # 01001-01784).....	.1
9.....	00.0620	Decal, Pinching or Crushing Hazard (Serial # 01785-).....	.1
10.....	00.0122	Decal, Thrown Object Hazard (Serial # 01001-01784).....	.1
10.....	00.0627	Decal, Thrown Object Hazard (Serial # 01785-).....	.1
11.....	00.0123	Decal, Keep Hands & Feet Clear (Serial # 01001-01784).....	.4
11.....	00.0628	Decal, Cutting Hazard Mower Blade (Serial # 01785-).....	.4

PARTS

ILLUSTRATED DRAWING Carrier Frame & Wheels



PARTS

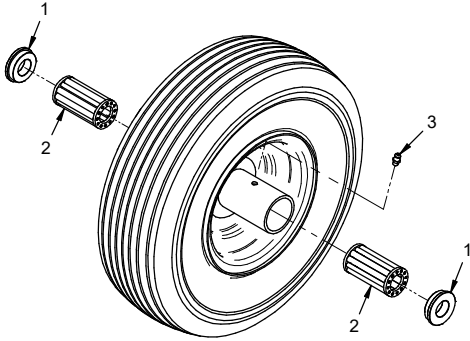
Carrier Frame & Wheels

REF.	PART NO.	DESCRIPTION	QTY.
1.....	95.06.....	Washer, Flat 3/8 SAE.....	4
2.....	50.0195.....	Yoke, Caster 13" Wheel.....	2
3.....	29.GF0001.....	Grease Ftg, 1/4 SAE ST.....	2
4.....	50.0050.....	Tube, Swivel Axle.....	2
5.....	90.0660.....	Bolt, 3/8-16 USS x 7-1/2.....	2
6.....	99.A06C.....	Locknut, Center 3/8-16.....	2
7.....	29.GF0011.....	Grease Ftg, Plug 1/4-28.....	2
8.....	55.LM12710.....	Bearing, Cup.....	4
9.....	85.B0101.....	Bushing, .005 Spacer.....	4
10.....	85.B0099.....	Bushing, .875ID x 1.375OD x .120T.....	4
11.....	55.LM12749LA2.....	Bearing, Taper Roller Cone.....	4
12.....	99.B0119.....	Washer, Mach 7/8 x 1-3/8 x 10 GA.....	4
13.....	99.M0047.....	Locknut, Stover M22 X 1.5 ZP.....	2
14.....	05.0172.....	Plug, Ribbed Black LDPE.....	2
15.....	00.0383.....	Decal, Ventrac.....	1
16.....	70.8222.....	Kit, Carrier Frame & Discharge Belting (Serial # 01001-01484).....	1
16.....	62.1464.....	Frame, Main Carrier MU720 (Serial # 01485-).....	1
17.....	53.0155.....	Wheel, Asm 13 x 5 x 6 Caster (Serial # 01001-01700).....	2
17.....	53.0148.....	Wheel, Asm 13x5x6 Rib Flatfree (Optional).....	2
17.....	53.0216.....	Wheel, Asm 13 x 5 x 6 Caster (Serial # 01701 -01712).....	2
17.....	53.0213.....	Wheel, Asm 13 x 5 x 6 Caster (Serial # 01713-).....	2
17.....	53.0214.....	Wheel, Asm 13 x 5 x 6 Caster (Optional - black rim).....	2

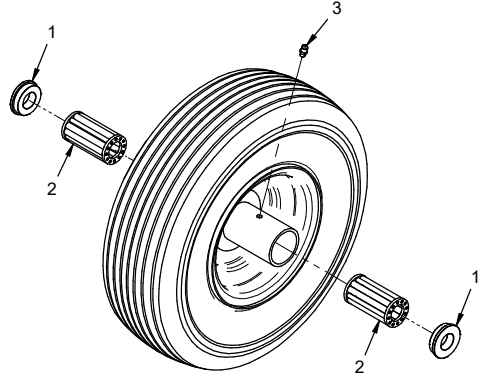
PARTS

ILLUSTRATED DRAWING Wheel Components

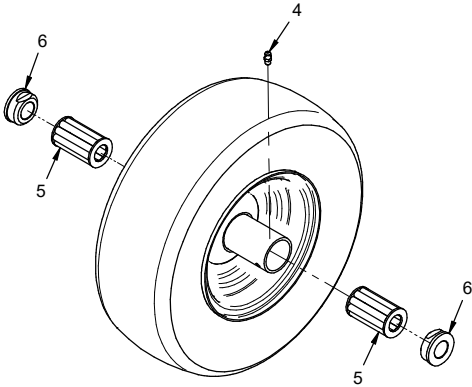
53.0155 - Standard White Rim (Serial # 01001-01700)



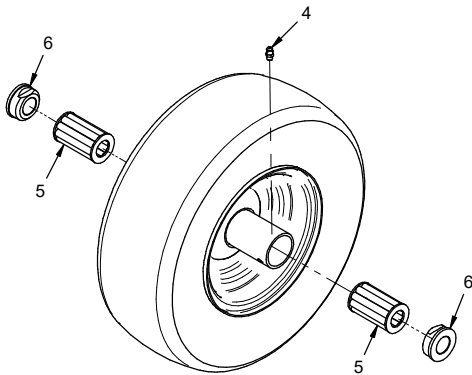
53.0148 - Optional Flatfree White Rim



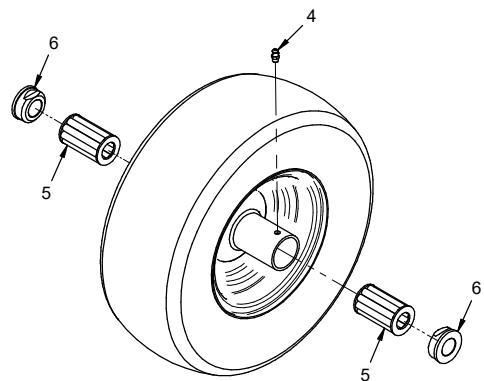
53.0216 - Standard White Rim (Serial # 01701-1712)



53.0213 - Standard Black Rim (Serial # 01713-)



53.0214 - Optional Flatfree Black Rim



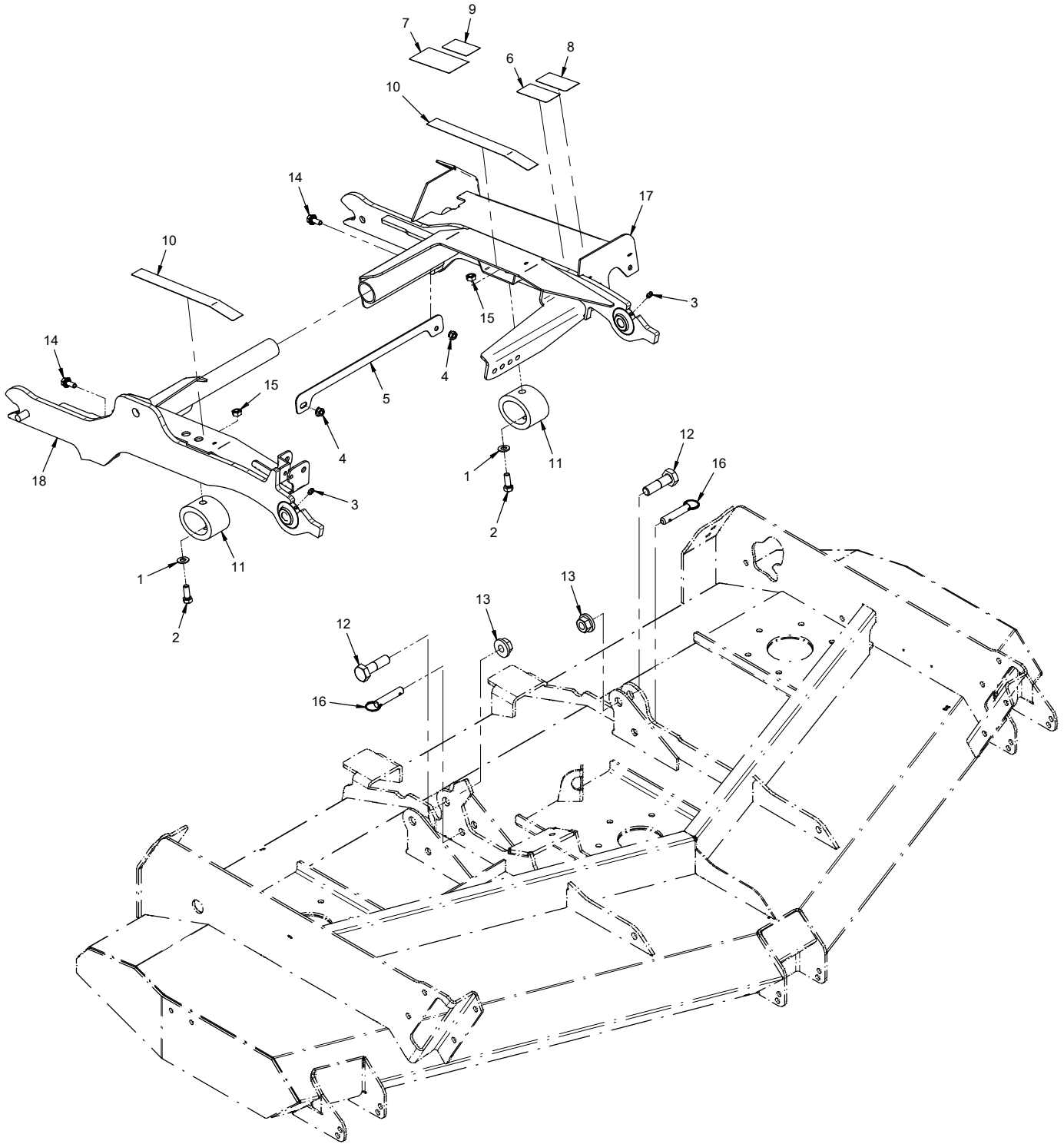
PARTS

Wheel Components

REF.	PART NO.	DESCRIPTION	QTY.
1.....	55.0072	Bearing, Retainer 3/4"	2
2.....	55.0088	Bearing, Roller Replacement	2
3.....	29.GF0001	Grease Ftg, 1/4 SAE ST	1
4.....	29.GF0001	Grease Ftg, 1/4 SAE ST	1
5.....	55.0116	Bearing, Roller 2.25" Long.	2
6.....	55.0114	Retainer, Roller Bearing 3/4"	2

PARTS

ILLUSTRATED DRAWING Hitch Arms



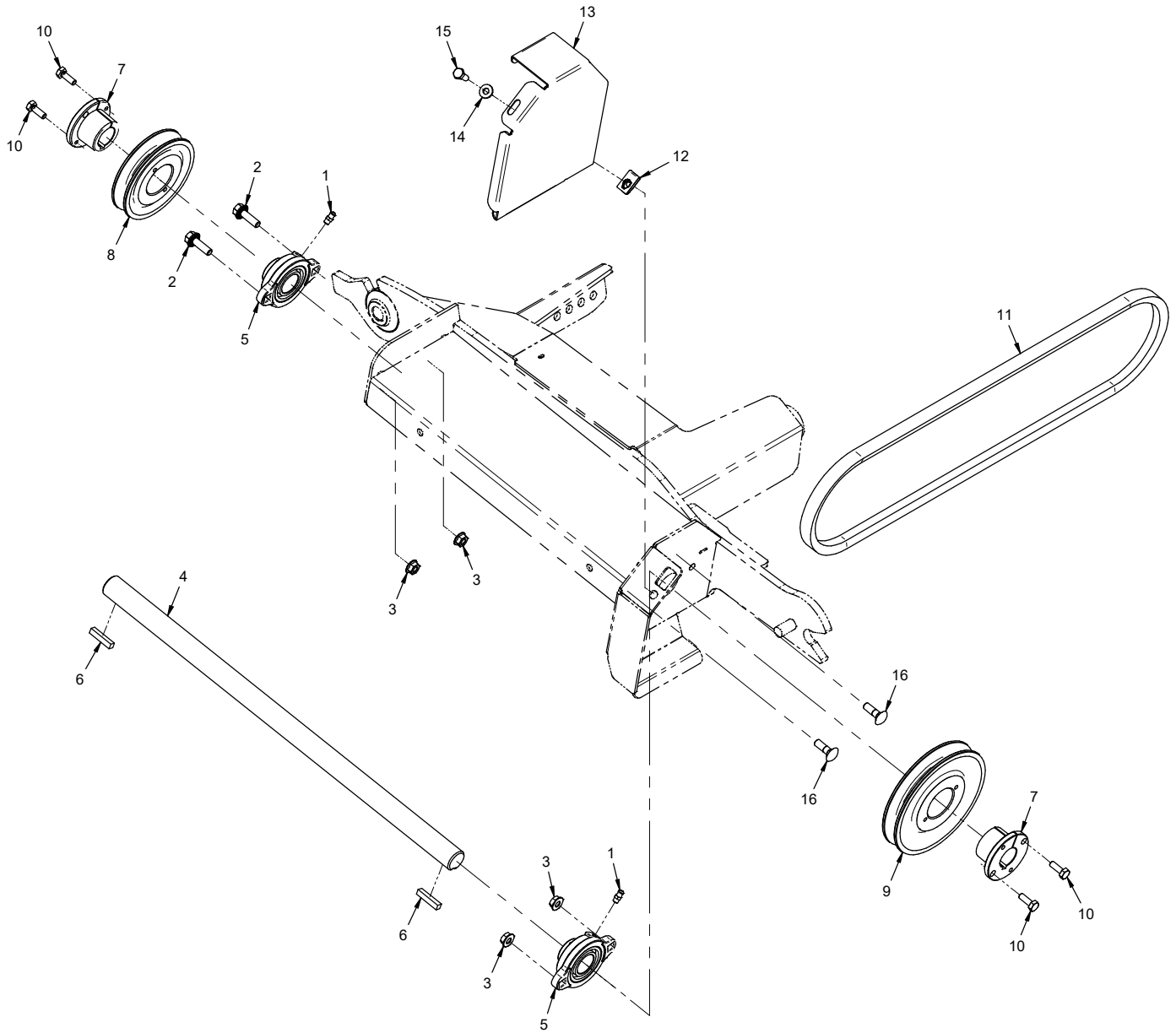
PARTS

Hitch Arms

REF.	PART NO.	DESCRIPTION	QTY.
1	95.06	Washer, Flat 3/8 SAE	2
2	90.0608	Bolt, 3/8-16 USS x 1	2
3	29.GF0001	Grease Ftg, 1/4 SAE ST	2
4	99.SF05	Nut, SRF 5/16-18 USS	2
5	64.1934	Brace, Hitch Arm Spacing	1
6	00.0217	Decal, Warning Read Owners Man (Serial # 01001-01784)	1
6	00.0619	Decal, Read Operator's Manual (Serial # 01785-)	1
7	00.0220	Decal, General Safety (Serial # 01001-01784)	1
8	00.0219	Decal, Warning Do Not Reach (Serial # 01001-01784)	1
8	00.0632	Decal, Moving Parts Hazard (Serial # 01785-)	1
9	00.0216	Decal, Warning Moving Parts (Serial # 01001-01784)	1
9	00.0631	Decal, Finger/Hand Entanglement (Serial # 01785-)	1
10	00.0427	Decal, Wear Resistant	2
11	05.0169	Bumper, Elastomer 1300 LBS PF	2
12	99.K0111	Bolt, 5/8-11 X 2-1/4 Grd A325	2
13	99.E0094	Locknut, 5/8-11 Flanged Stover	2
14	99.SF0506	Bolt, SRF 5/16-18 USS X 3/4	2
15	99.A06	Locknut, Stover 3/8-16 USS	2
16	03.0007	Pin, Ball 1/2 x 1.8"	2
17	62.1452	Hitch, Arm Left MS720	1
18	62.1453	Hitch, Arm Right MS720	1

PARTS

ILLUSTRATED DRAWING Drive Shaft & Attachment Belt



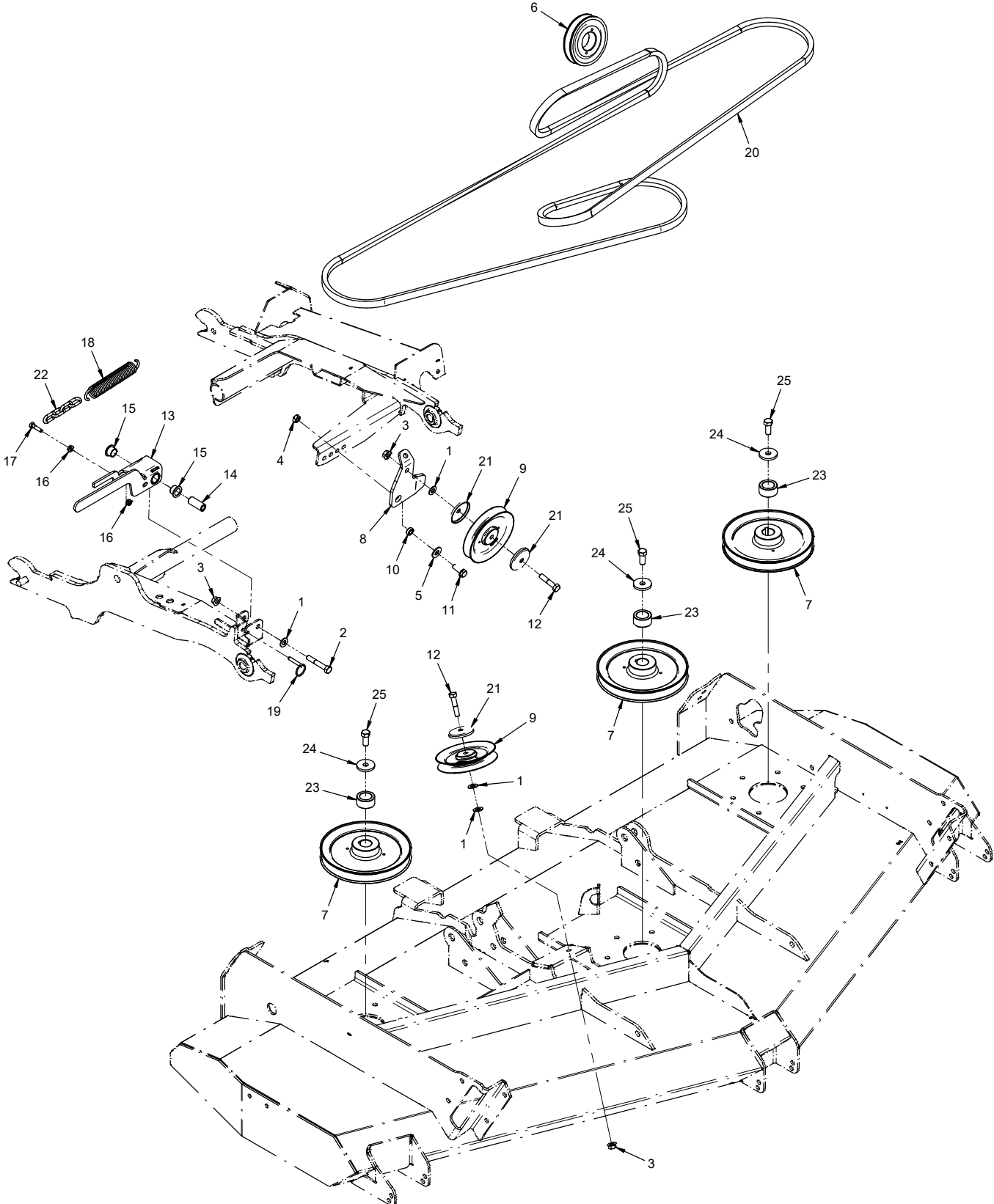
PARTS

Drive Shaft & Attachment Belt

REF.	PART NO.	DESCRIPTION	QTY.
1.....	29.GF0001.....	Grease Ftg, 1/4 SAE ST.....	.2
2.....	99.SF0508.....	Bolt, SRF 5/16-18 USS X 1.....	.2
3.....	99.SF05.....	Nut, SRF 5/16-18 USS.....	.4
4.....	80.0389.....	Shaft, Hitch Arm.....	.1
5.....	55.FB16016-1.....	Bearing, Flange Block 1".....	.2
6.....	85.K0410.....	Key, 1/4 X 1-1/4.....	.2
7.....	83.H16S.....	Bushing, 1" Split 1/4" Key.....	.2
8.....	83.BK40H.....	Pulley, 4" H-Bush.....	.1
9.....	83.BK57H.....	Pulley, 5.7" H-Bush.....	.1
10.....	90.0406.....	Bolt, 1/4-20 USS x 3/4".....	.4
11.....	81.B045.....	Belt, B45.....	.1
12.....	99.E0046.....	Nut, "U" 1/4-20 Extruded.....	.1
13.....	60.0665.....	Shield, Drive Pulley.....	.1
14.....	95.04.....	Washer, Flat 1/4 SAE.....	.1
15.....	90.0406.....	Bolt, 1/4-20 USS x 3/4".....	.1
16.....	99.SF0508.....	Bolt, SRF 5/16-18 USS X 1 (Serial # 01001-01580).....	.2
16.....	97.0508.....	Bolt, Carriage 5/16-18 x 1 (Serial # 01581-).....	.2

PARTS

ILLUSTRATED DRAWING Main Deck Belt, Pulleys, & Belt Tensioner



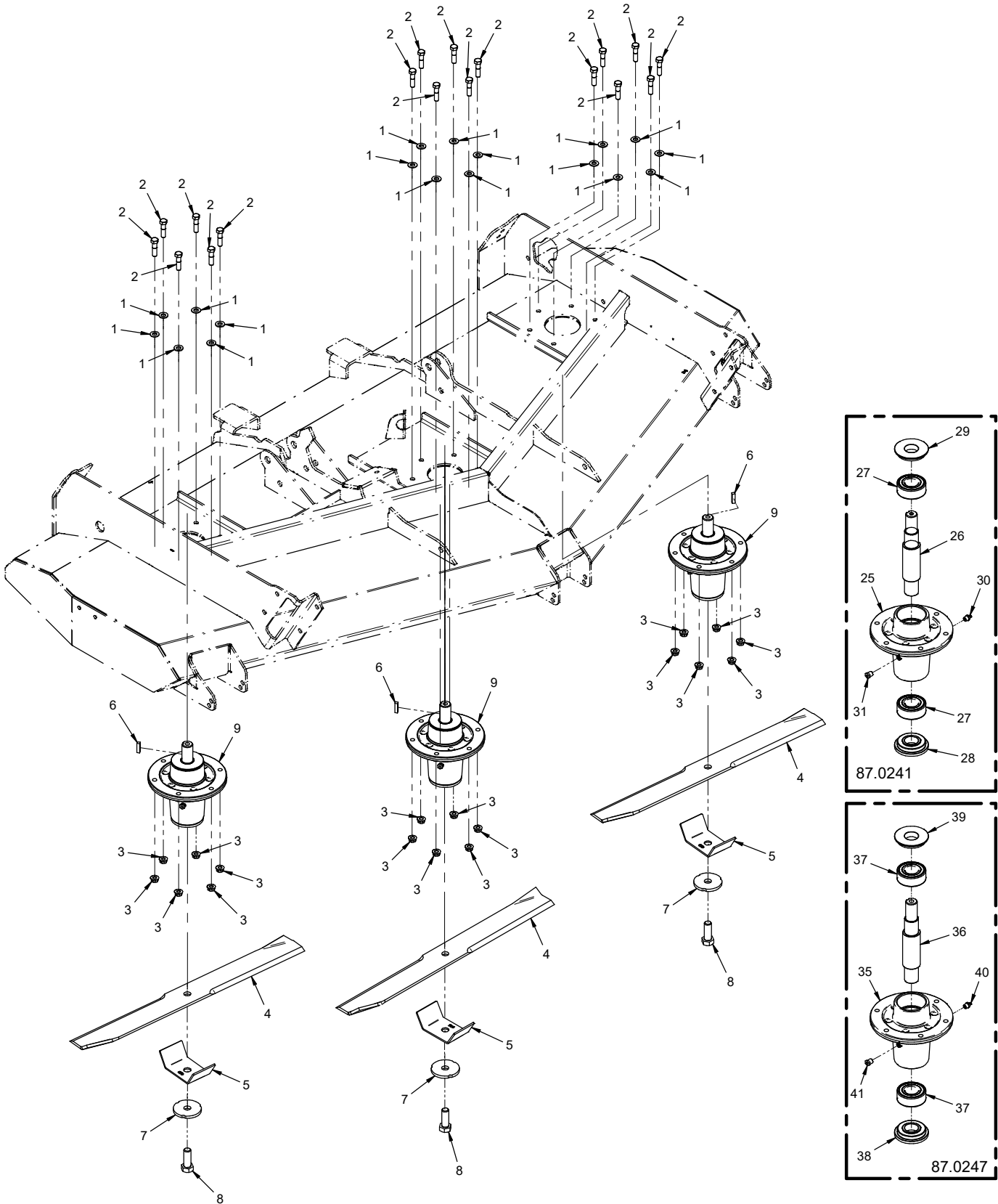
PARTS

Main Deck Belt, Pulleys, & Belt Tensioner

REF.	PART NO.	DESCRIPTION	QTY.
1	95.06	Washer, Flat 3/8 SAE	4
2	90.0618	Bolt, 3/8-16 USS x 2-1/4	1
3	99.SF06	Nut, SRF 3/8-16 USS	3
4	99.A06	Locknut, Stover 3/8-16 USS	1
5	94.06	Washer, Flat 3/8 USS	1
6	83.BK40H	Pulley, 4" H-Bush	1
7	83.0080	Pulley, 7-1/2, 25MM STR Bore	3
8	40.0399	Idler Arm, Belt Tension	1
9	83.0031	Pulley, V-Idler 5-1/16 x 3/8ID	2
10	64.0602	Bushing, 3/8 x 5/8 x .265	1
11	99.SF0608	Bolt, SRF 3/8-16 USS x 1	1
12	90.0614	Bolt, 3/8-16 USS x 1-3/4	2
13	70.8218	Kit, Belt Tension/Cylinder Lock (2 parts)	1
14	64.1936	Bushing, Belt Tension Pivot	1
15	85.B0088	Bushing, 5/8 ID X 3/4 OD X 1/2	2
16	99.SF04	Nut, SRF 1/4-20 USS	2
17	90.0408	Bolt, 1/4-20 USS x 1"	1
18	41.0048	Spring, Ext. 1 OD X 6	1
19	03.0022	Pin, Ball 1/4" x 1"	1
20	81.5001	Belt, B180 Custom	1
21	60.1056	Cover, Pulley	3
22	81.0160	Chain, 1/8 Plated x 4 Links	1
23	64.1976	Bushing, 1ID X 1.5OD X .750L	3
24	99.B0128	Washer, .323 ID x 1.50 OD (Serial # 01001-01244)	3
24	99.B0134	Washer, .448 ID x 1.50 OD (Serial # 01245-)	3
25	99.SF0508-8	Bolt, SRF 5/16-18 X 1 GR8 (Serial # 01001-01244)	3
25	91.0708-8	Bolt, 7/16-20 x 1 Gr8 (Serial # 01245-)	3

PARTS

ILLUSTRATED DRAWING Spindles & Blades



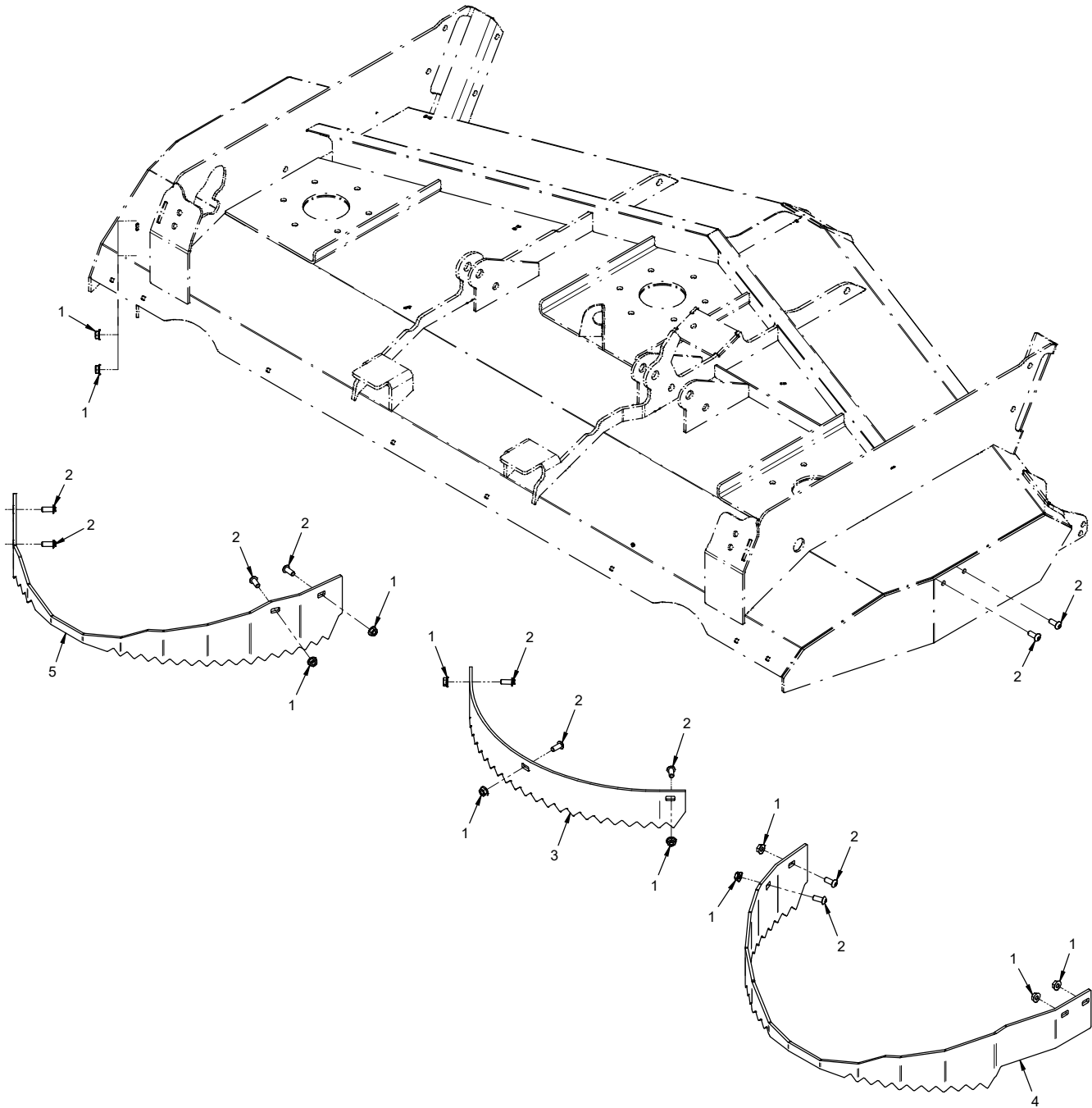
PARTS

Spindles & Blades

REF.	PART NO.	DESCRIPTION	QTY.
1	95.06	Washer, Flat 3/8 SAE	18
2	90.0612	Bolt, 3/8-16 USS x 1-1/2	18
3	99.E0082	Nut, Locking Flange 3/8-16	18
4	79.0104	Blade, 25X5/8 RH S Lowlift	3
5	64.2003	Guard, Spindle/Anti-String	3
6	85.K0408	Key, 1/4 X 1	3
7	99.B0097	Washer, .635 ID X 2-1/2 OD 1/4	3
8	91.1014	Bolt, 5/8-18 SAE x 1-3/4	3
9	87.0241	Spindle, Asm HD RH (Serial # 01001-01244)	3
9	87.0247	Spindle, Asm HD AI RH (Serial # 01245-)	3
25	87.0241-1	Housing, Spindle AL	1
26	87.0241-2	Shaft, Spindle RH	1
27	55.0095	Bearing, Ball 30MM x 62MM	2
28	87.0224-3	Shield, Spindle Bottom	1
29	87.0225-3	Shield, Spindle Top	1
30	29.GF0004	Grease Ftg, 1/8 NPT St	1
31	29.GF0017	Fitting, Relief	1
35	87.0241-1	Housing, Spindle AL	1
36	87.0247-2	Shaft, Spindle RH	1
37	55.0095	Bearing, Ball 30MM x 62MM	2
38	87.0224-3	Shield, Spindle Bottom	1
39	87.0225-3	Shield, Spindle Top	1
40	29.GF0004	Grease Ftg, 1/8 NPT St	1
41	29.GF0017	Fitting, Relief	1

PARTS

ILLUSTRATED DRAWING Mulch Rings



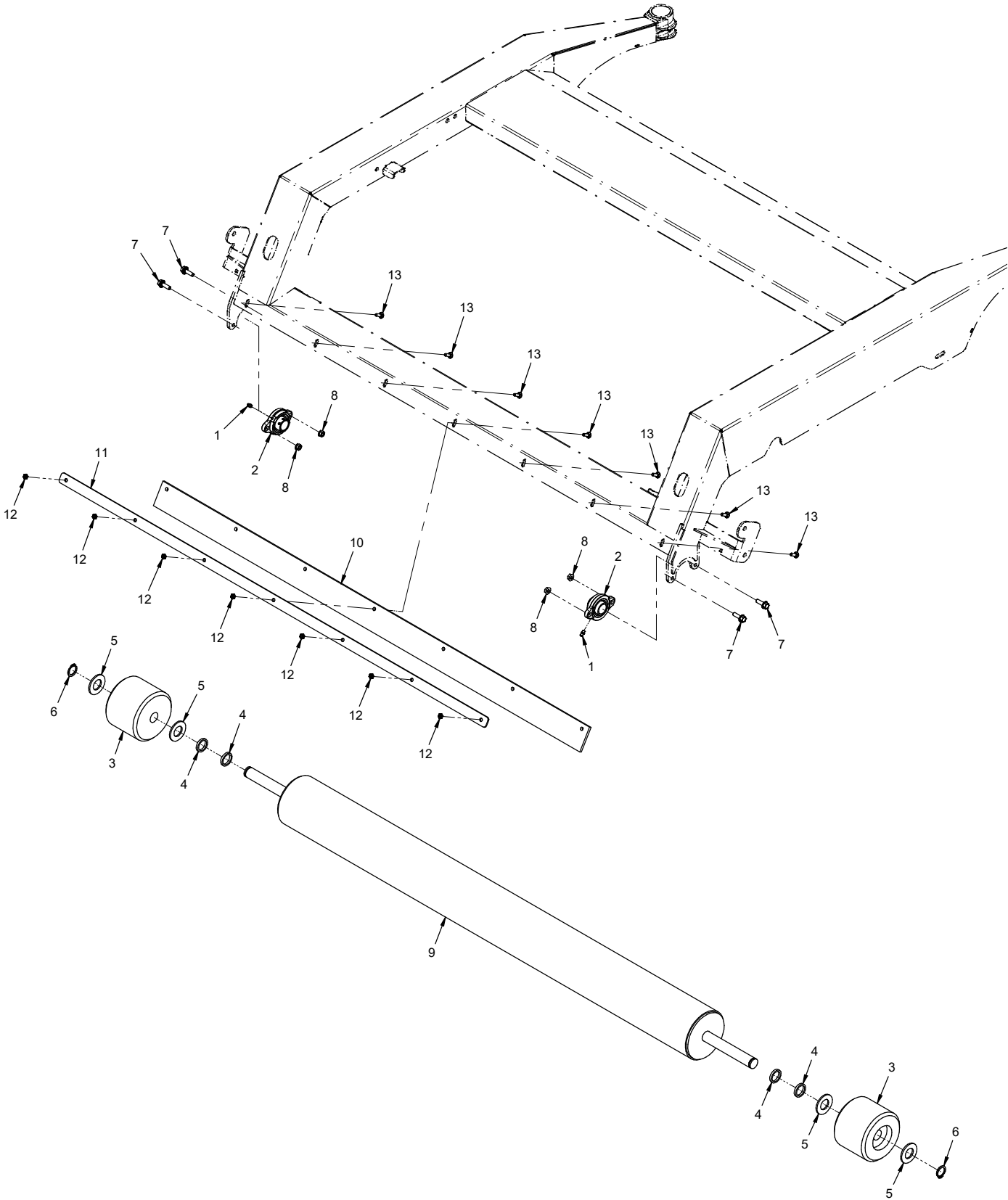
PARTS

Mulch Rings

REF.	PART NO.	DESCRIPTION	QTY.
1.....	99.SF05.....	Nut, SRF 5/16-18 USS.....	11
2.....	99.0506.....	Bolt, 5/16-18 x 3/4 BSCS.....	11
3.....	64.1992.....	Ring, Mulching Baffle Center.....	1
4.....	64.1993.....	Ring, Mulching Baffle Right.....	1
5.....	64.1994.....	Ring, Mulching Baffle Left.....	1

PARTS

ILLUSTRATED DRAWING Rear Roller & Roller Wiper Belting



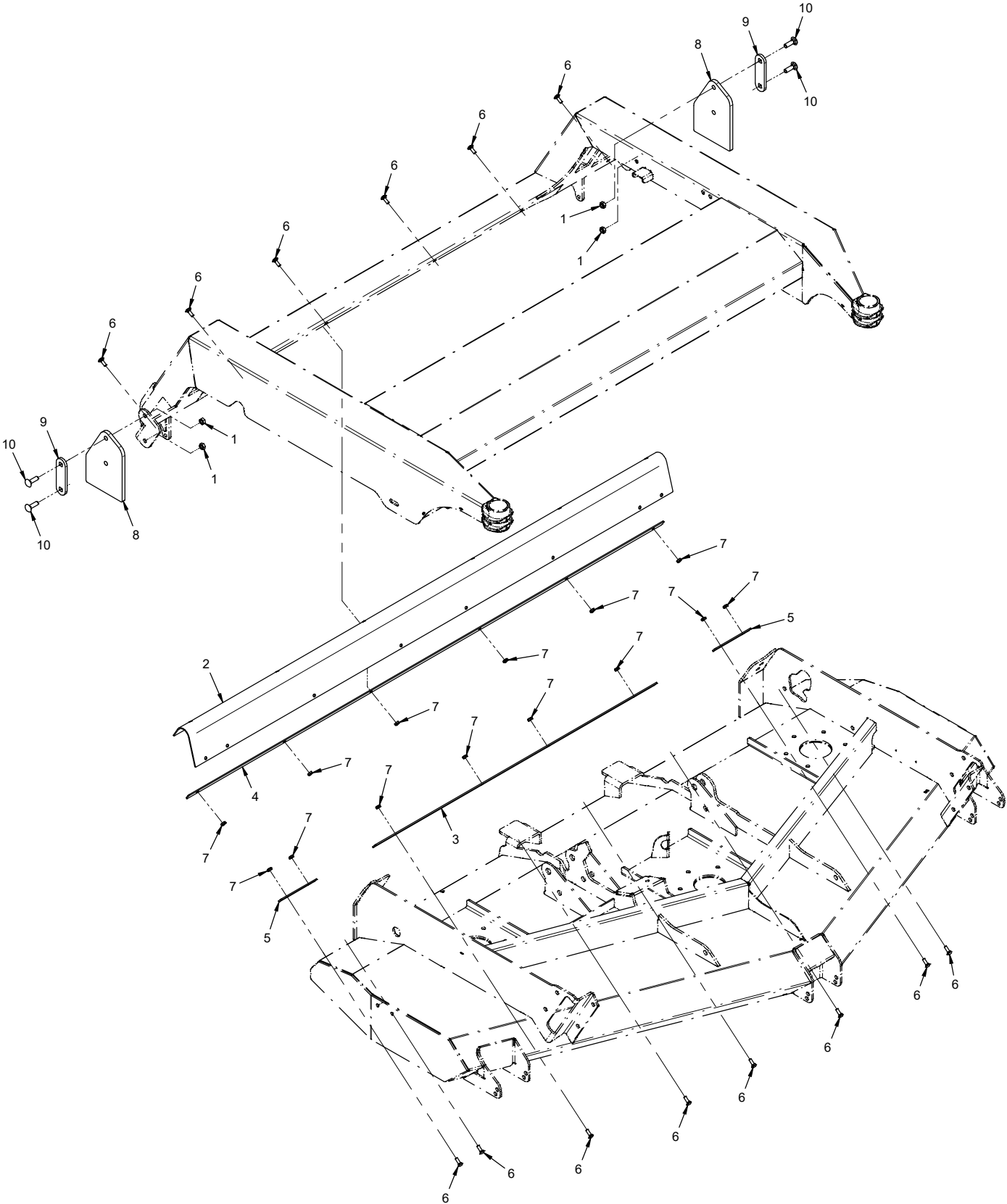
PARTS

Rear Roller & Roller Wiper Belting

REF.	PART NO.	DESCRIPTION	QTY.
1.....	29.GF0001.....	Grease Ftg, 1/4 SAE ST.....	2
2.....	55.FB16016-2.....	Bearing, 2 Bolt Flange 1".....	2
3.....	50.0194.....	Roller, End 5" Dia x 4" Long.....	2
4.....	64.1930.....	Spacer, Rear Roller End.....	4
5.....	95.16.....	Washer, Flat 1 SAE.....	4
6.....	04.0025.....	Snap Ring, Ext.1 Shft .078 Thk.....	2
7.....	99.SF0508.....	Bolt, SRF 5/16-18 USS X 1.....	4
8.....	99.SF05.....	Nut, SRF 5/16-18 USS.....	4
9.....	80.0388.....	Roller, Rear MS720.....	1
10.....	44.0361.....	Belting, Roller Wiper.....	1
11.....	64.1871.....	Clamp, Roller Wiper.....	1
12.....	99.A04.....	Locknut, Stover 1/4-20 USS.....	7
13.....	97.0406.....	Bolt, Carriage 1/4-20 X 3/4.....	7

PARTS

ILLUSTRATED DRAWING Discharge Shield Belting



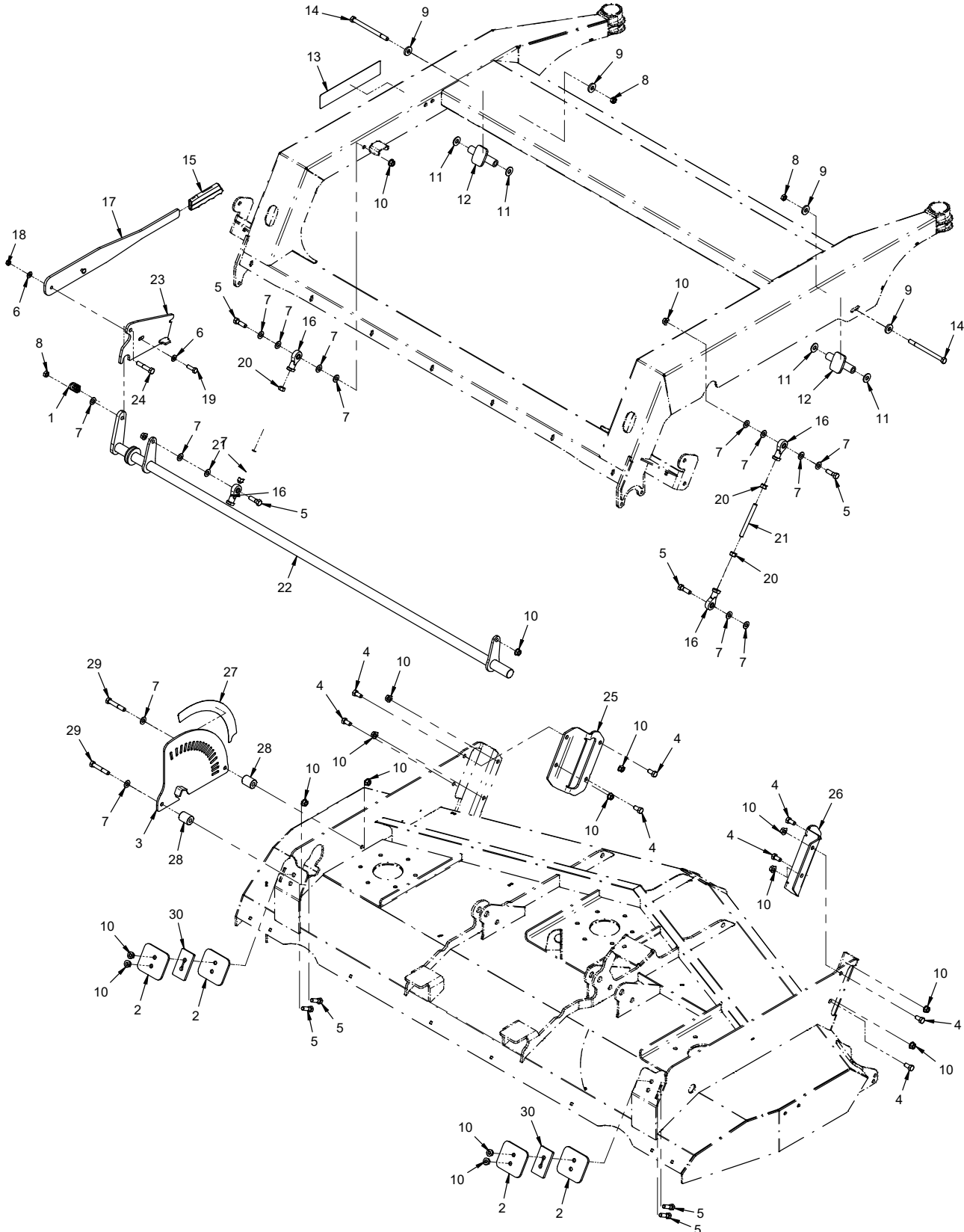
PARTS

Discharge Shield Belting

REF.	PART NO.	DESCRIPTION	QTY.
1.....	99.A06	Locknut, Stover 3/8-16 USS	4
2.....	44.0385	Belting, Discharge Shield (Serial # 01001-01484).....	1
2.....	44.0414	Belting, Discharge Shield (Serial # 01485-).....	1
3.....	64.1967	Clamp, Center Rear Discharge	1
4.....	64.1983	Clamp, Rear Discharge Belting	1
5.....	64.1968	Clamp, End Rear Discharge	2
6.....	97.0406	Bolt, Carriage 1/4-20 X 3/4.....	14
7.....	99.A04	Locknut, Stover 1/4-20 USS	14
8.....	44.0388	Belting, Side Guard	2
9.....	64.1986	Clamp, Side Guard.....	2
10.....	97.0610	Bolt, Carriage 3/8-16 x 1-1/4	4

PARTS

ILLUSTRATED DRAWING Height Adjust Linkage & Deck Slides



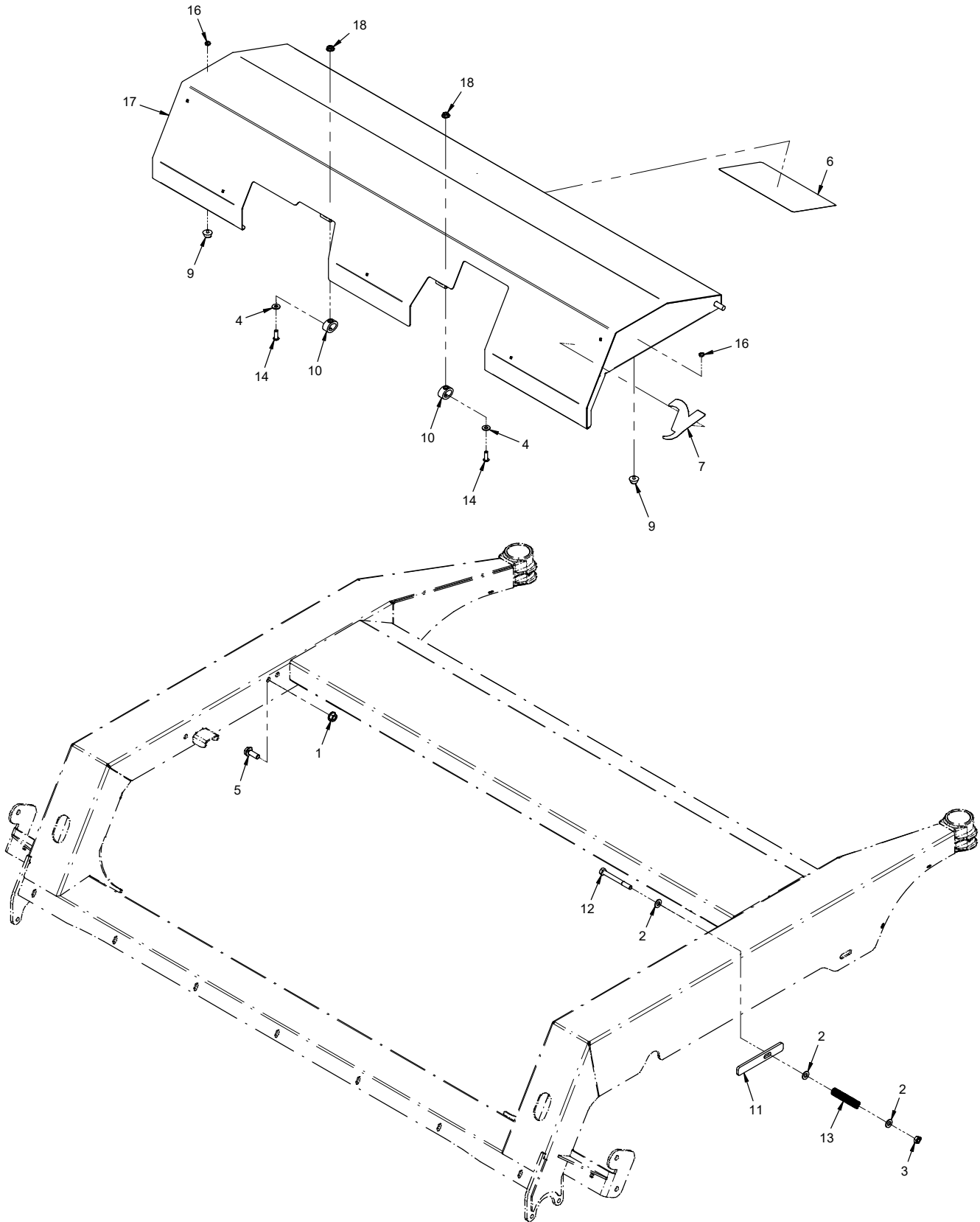
PARTS

Height Adjust Linkage & Deck Slides

REF.	PART NO.	DESCRIPTION	QTY.
1.....	41.0039Spring, Comp 9/16 OD x 5/8 (Serial # 01001-01100).....	.1
1.....	41.0119Spring, Comp .785 OD x 1 LG (Serial # 01101-).....	.1
2.....	64.1179Plate, Rear Slide Retainer4
3.....	64.1961PLATE, HEIGHT ADJUST SELECTOR1
4.....	90.0606Bolt, 3/8-16 USS x 3/4.....	.8
5.....	90.0610Bolt, 3/8-16 USS x 1-1/4.....	.8
6.....	95.05Washer, Flat 5/16 SAE.....	.2
7.....	95.06Washer, Flat 3/8 SAE.....	.15
8.....	99.A06Locknut, Stover 3/8-16 USS3
9.....	99.G0014Washer, 3/8 USS FW .165 Thk4
10.....	99.SF06.....	.Nut, SRF 3/8-16 USS18
11.....	94.06.....	.Washer, Flat 3/8 USS.....	.4
12.....	64.1180Tube, Front Slide2
13.....	00.0426Decal, Cut Height Position Key1
14.....	90.0640Bolt, Hex 3/8-16 UNC x 5.....	.2
15.....	47.0086Grip, Slip-On Handle - Black.....	.1
16.....	43.006.....	.Rod End, 3/8 Spherical, Female4
17.....	64.1911Lever, Height Adjuster1
18.....	99.A05Locknut, Stover 5/16-18 USS.....	.1
19.....	90.0508Bolt, Hex 5/16-18 UNC x 1".....	.1
20.....	93.06Nut, Hex 3/8-24 UNF.....	.4
21.....	99.J0630NFZ.....	.Rod, Threaded 3/8-24 x 5-3/8.....	.2
22.....	42.0579Shaft, Ht Adj Crossbar MS7201
23.....	64.1910Bracket, Height Adjuster1
24.....	90.0612Bolt, Hex 3/8-16 USS x 1-1/2 (Serial # 01001-01100).....	.1
24.....	90.0616Bolt, Hex 3/8-16 USS x 2 (Serial # 01101-).....	.1
25.....	64.1904Bracket, Front Slide Left.....	.1
26.....	64.1905Bracket, Front Slide Right1
27.....	00.0425Decal, Cut Height Position1
28.....	64.0905Tube, RD 7/16 X 1 X 1-1/4L.....	.2
29.....	90.0618Bolt, Hex 3/8-16 UNC x 2-1/4.....	.2
30.....	64.1181Spacer, Rear Slide2

PARTS

ILLUSTRATED DRAWING Main Deck Cover Shield



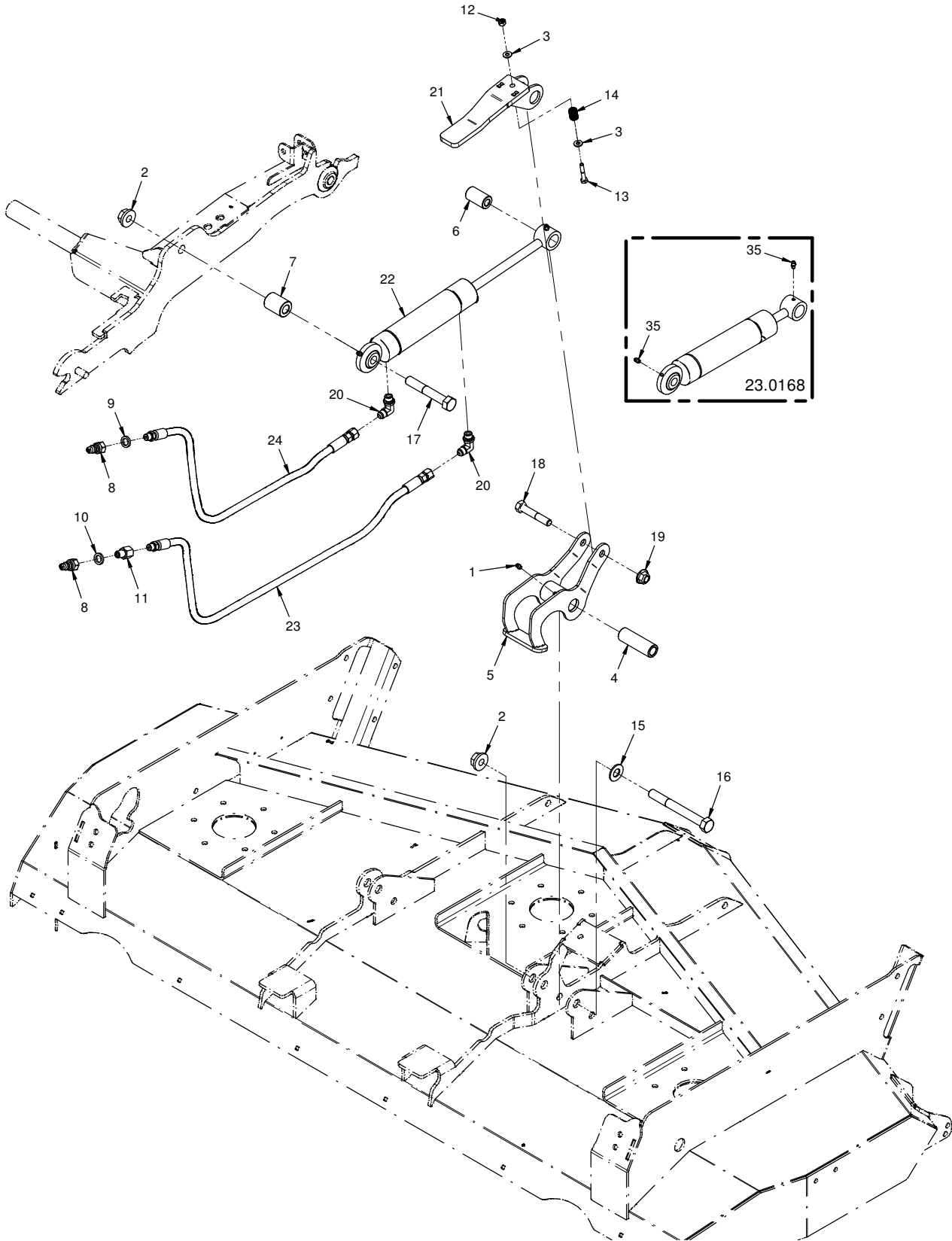
PARTS

Main Deck Cover Shield

REF.	PART NO.	DESCRIPTION	QTY.
1	99.SF06	Nut, SRF 3/8-16 USS	1
2	95.05	Washer, Flat 5/16 SAE	3
3	99.A05	Locknut, Stover 5/16-18 USS	1
4	95.04	Washer, Flat 1/4 SAE	2
5	99.SF0608	Bolt, SRF 3/8-16 UNC x 1	1
6	00.0428	Decal, Mower Maintenance	1
7	00.0192	Decal, V-Decal Die Cut Blue	1
9	05.0171	Bumper, Neoprene 60 Duro	2
10	05.0170	Bumper, Elastomer 125 Lbs PF	2
11	64.0682	Bracket, Shield Spring	1
12	90.0524	Bolt, Hex 5/16-18 UNC x 3"	1
13	41.0021	Spring, Comp 1/2 OD X 2-3/4 LG	1
14	99.0406	Bolt, 1/4-20 x 3/4 BSCS	2
16	99.E0104	Nut, Jam #8-32 Nylon Lock	2
17	60.1268	Shield, Main Deck Cover MS720	1
18	99.SF04	Nut, SRF 1/4-20 USS	2

PARTS

ILLUSTRATED DRAWING 70.8163 & 70.8214 Hydraulic Flip Up Kit



PARTS

70.8163 & 70.8214 Hydraulic Flip Up Kit

REF.	PART NO.	DESCRIPTION	QTY.
1	29.GF0001	Grease Ftg, 1/4 SAE ST	.1
2	99.E0094	Locknut, 5/8-11 Flanged Stover	.2
3	95.04	Washer, Flat 1/4 SAE	.2
4	64.1975	Bushing, .641 x 1.00 x 3.094L	.1
5	64.1972	Bracket, Flip Up Rocker	.1
6	64.1973	Bushing, .516ID X 1 OD X 1.75 L	.1
7	64.1974	Bushing, .656 x 1.25 x 1.625L	.1
8	23.0104	Coupler, Quick Male 1/4	.2
9	05.0117	Washer, .544 ID x .817 x .14 Yel	.1
10	05.0116	Washer, .544 ID x .817 x .14 Red	.1
11	29.0092	Fitting, .025 Orifice 1/4 Pipe	.1
12	99.A04N	Locknut, Nylon 1/4-20	.1
13	90.0412	Bolt, 1/4-20 USS x 1-1/2	.1
14	41.0108	Spring, Comp. .531 OD X .780 LG	.1
15	95.10	Washer, Flat 5/8 SAE	.1
16	90.1044	Bolt, 5/8-11 USS x 5-1/2	.1
17	90.1032	Bolt, 5/8-11 USS x 4	.1
18	90.0822	Bolt, 1/2-13 USS x 2-3/4	.1
19	99.E0103	Nut, Locking Flange 1/2-13	.1
20	25.6801-06-06	Fitting, 90 ME 3/8 x 3/8	.2
21	70.8218	Kit, Belt Tensioner/Cylinder Lock (2 parts)	.1
22	23.0168	Cylinder, 1-3/4" X 5-1/4"	.1
23	20.0169	Hose, 1/4x38.00 SAE 100R17 AR	.1
24	20.0166	Hose, 1/4x35.00 SAE 100R17 AR	.1
35	29.GF0001	Grease Ftg, 1/4 SAE ST	.2