

Parts Manual

KX523

Snow Blower

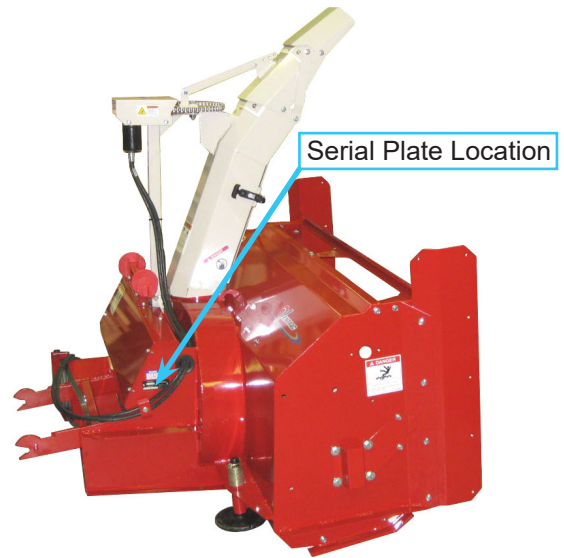


Revised 10/07/24
09.20055 Rev. 02



500 Venture Drive
Orrville Oh 44667
www.ventrac.com

Serial Number Description



Notes

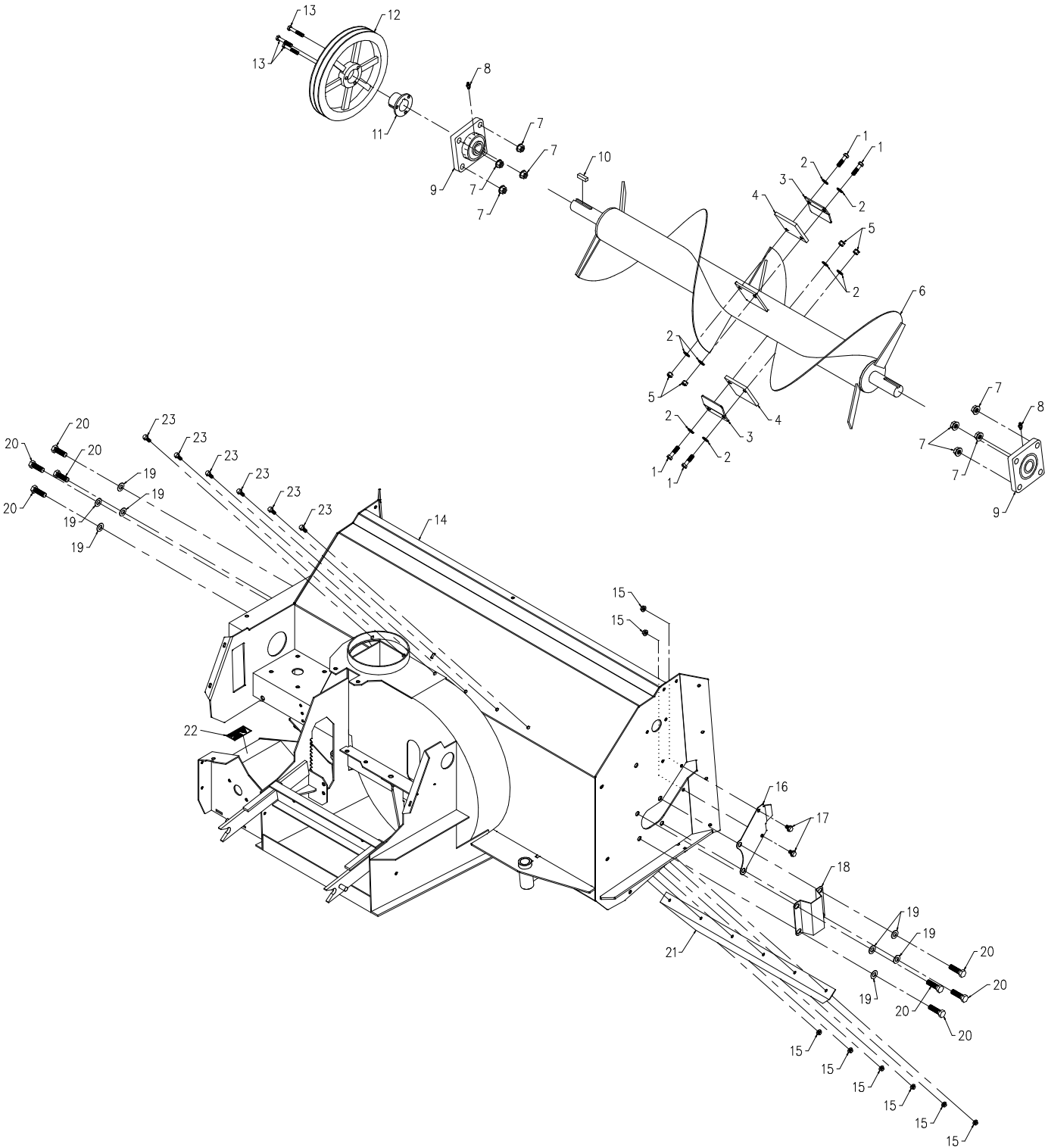
- If any component requires replacement, use only original Ventrac replacement parts.
- When ordering new components, be sure to order all required safety decals. All current safety decals must be affixed to the replacement components prior to installation of the component.

TABLE OF CONTENTS

PARTS	PAGE 4
Main Frame & Auger	4
PTO Drive & Gearbox Drive	6
Gearbox & Auger Drive	8
Fan & Fan Shaft	10
Fan Drive.....	12
Discharge Chute	14
Discharge Chute Rotation Drive.....	16
Discharge Chute Guard & Cleaning Tool	18
Drive Shields	20
Skid Shoes, Cutting Edge, & Crossbar Guard	22
70.8025 12 Volt Actuator	24
70.8072 Deep Snow Auger Kit.....	26

PARTS

ILLUSTRATED DRAWING Main Frame & Auger



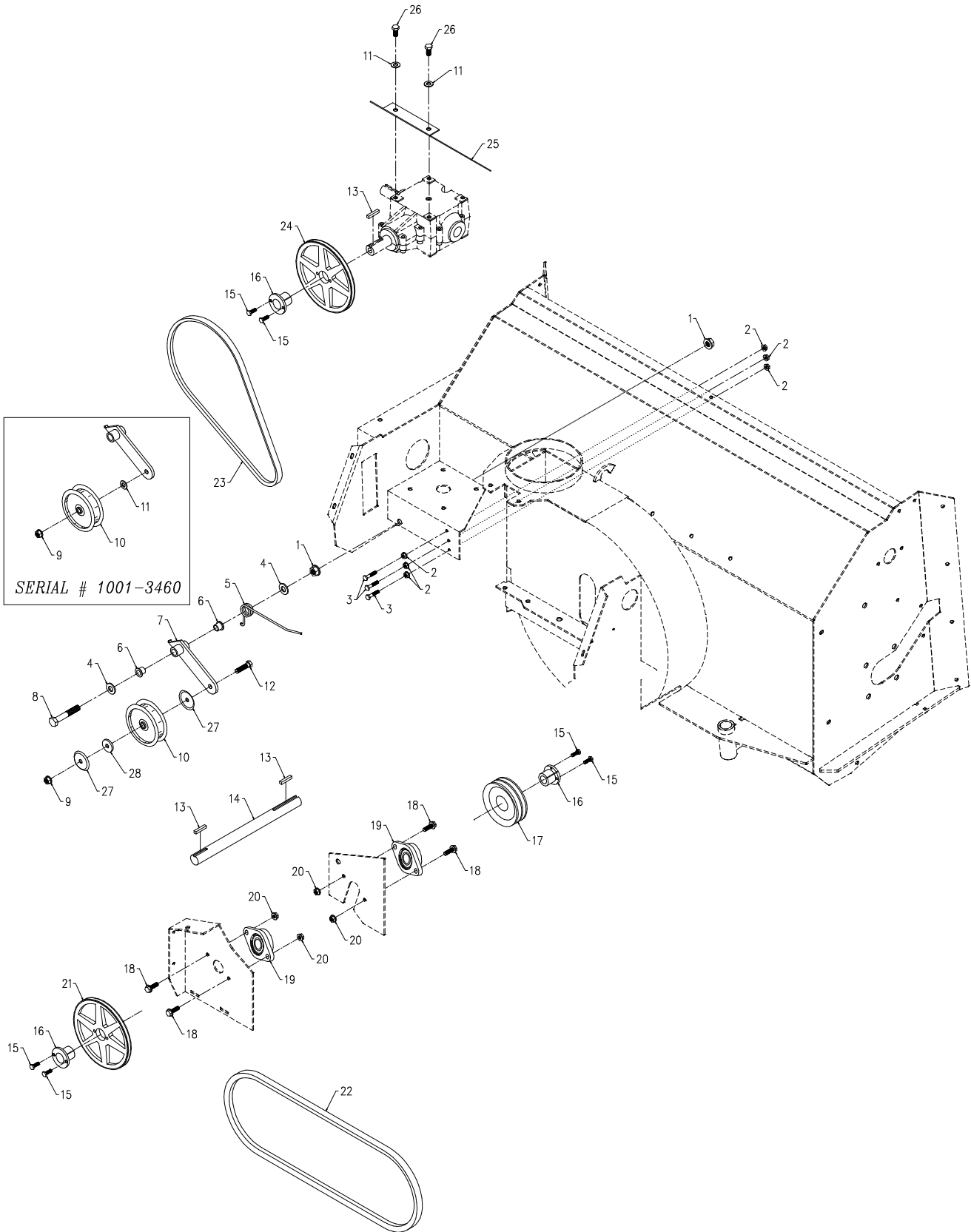
PARTS

Main Frame & Auger

REF.	PART NO.	DESCRIPTION	QTY.
1	90.0612	.BOLT, 3/8-16 USS X 1 1/2	4
2	95.06	.WASHER, FLAT 3/8 SAE	8
3	64.1088	.CLAMP, RUBBER AUGER PADDLES	2
4	44.0181	.PADDLE, 1/2" 3 PLY 3/8 X 1/16	2
5	99.A06N	.LOCKNUT, NYLON 3/8-16	4
6	80.0369	.AUGER, SNOWBLOWER	1
7	99.SF08	.NUT, SRF 1/2-13 USS	8
8	29.GF0001	.GREASE FTG, 1/4 SAE ST	2
9	55.FB22023	.BEARING, FLANGE BLOCK 1-7/16"	2
10	85.K0610	.KEY, 3/8 X 1 1/4	1
11	83.SK23	.BUSHING, 1 7/16" SK	1
12	83.2B110SK	.PULLEY, 2 B 11" 2-GROOVE	1
13	90.0516	.BOLT, 5/16-18 USS X 2	3
14	62.1324	.FRAME, MAIN BLOWER	1
15	99.SF05	.NUT, SRF 5/16-18 USS	8
16	64.1283	.BRACKET, AUGER INSTALL ACCESS	1
17	99.SF0504	.BOLT, SRF 5/16-18USS X 1/2	2
18	60.0982	.SHIELD, AUGER SHAFT END RH	1
19	95.08	.WASHER, FLAT 1/2 SAE	8
20	90.0814	.BOLT, 1/2-13 USS X 1 3/4	8
21	60.0873	.PLATE, FAN DISCHARGE GUIDE	1
22	00.0216	.DECAL, WARNING MOVING PARTS (SERIAL # 1001-6832)	1
22	00.0631	.DECAL, DECAL, FINGER/HAND ENTANGLEMENT (SERIAL # 6833-)	1
23	99.SF0506	.BOLT, SRF 5/16-18 USS X 3/4	6

PARTS

ILLUSTRATED DRAWING PTO Drive & Gearbox Drive



SERIAL # 1001-3460

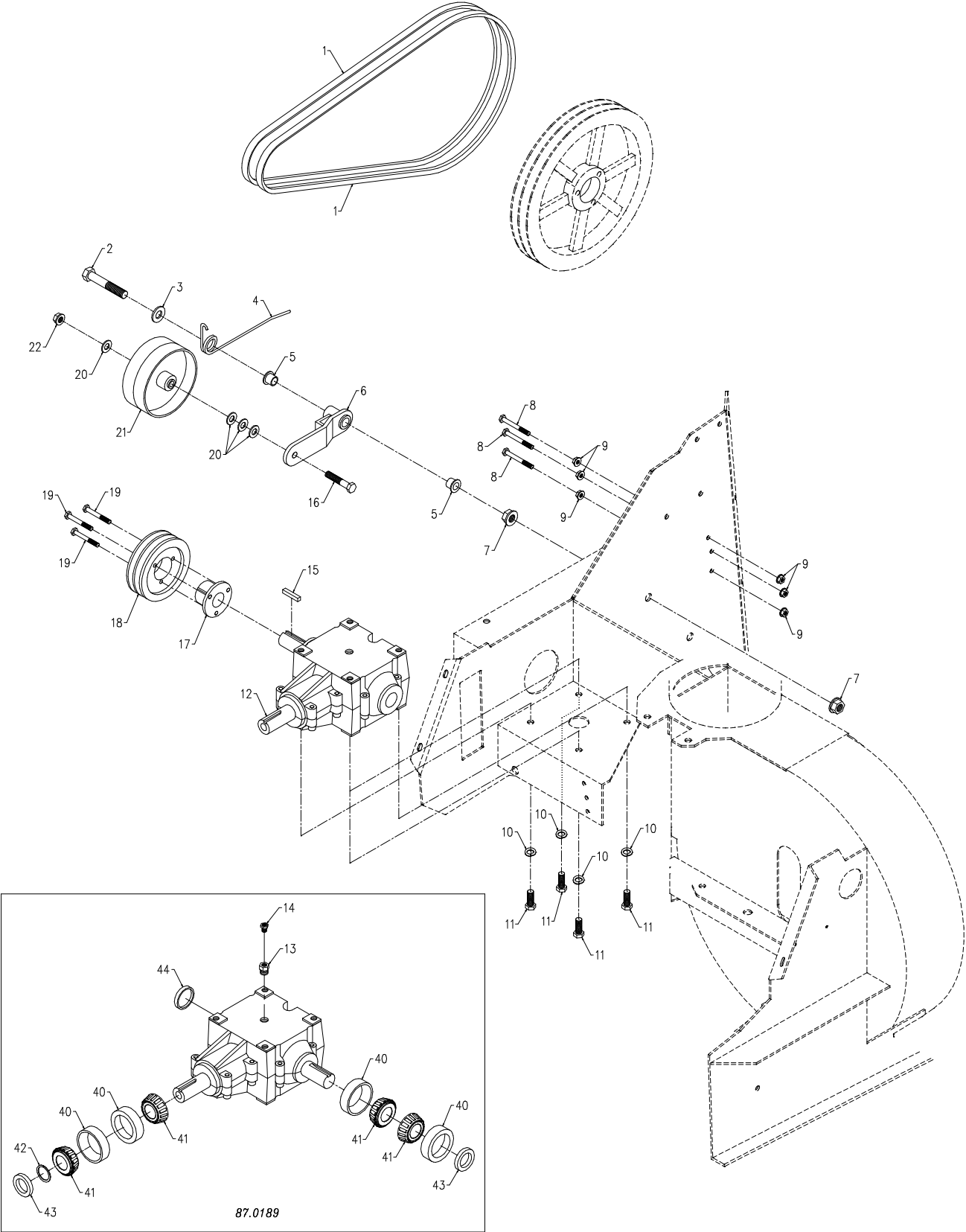
PARTS

PTO Drive & Gearbox Drive

REF.	PART NO.	DESCRIPTION	QTY.
1	99.SF08	NUT, SRF 1/2-13 USS	2
2	99.SF04	NUT, SRF 1/4-20 USS	6
3	90.0410	BOLT, 1/4-20 USS X 1 1/4	3
4	95.08	WASHER, FLAT 1/2 SAE	2
5	41.0066	SPRING, SINGLE TORSION LH	1
6	85.B0027	BUSHING, 1/2 ID X 5/8 OD X 5/8	2
7	40.0312	ARM, GEAR BOX BELT IDLER	1
8	90.0824	BOLT, 1/2-13 USS X 3	1
9	99.SF06	NUT, SRF 3/8-16 USS	1
10	83.0037	PULLEY, IDLER FLAT 4" X 3/8	1
11	95.06	WASHER, FLAT 3/8 SAE	3
12	90.0612	BOLT, 3/8-16 USS X 1 1/2	1
13	85.K0408	KEY, 1/4 X 1	3
14	80.0345	SHAFT, TGP 1" X 13-3/4L	1
15	90.0406	BOLT, 1/4-20 USS X 3/4	6
16	83.H16S	BUSHING, 1" SPLIT 1/4" KEY	3
17	83.2BK32H	PULLEY, 2BK 3.2" H-BUSH	1
18	99.SF0508	BOLT, SRF 5/16-18 USS X 1	4
19	55.FB16016-1	BEARING, FLANGE BLOCK 1"	2
20	99.SF05	NUT, SRF 5/16-18 USS	4
21	83.BK75H	PULLEY, 7.5"	1
22	81.B050	BELT, B50	1
23	81.B035	BELT, B35	1
24	83.BK80H	PULLEY, 8" H-BUSH	1
25	60.0870	SHIELD, GEARBOX FINAL DRIVE	1
26	90.0606	BOLT, 3/8-16 USS X 3/4	2
27	60.1056	COVER, PULLEY (Serial # 3461-)	2
28	99.G0014	WASHER, 3/8 USS FW .165 THK (Serial # 3461-4299)	1

PARTS

ILLUSTRATED DRAWING Gearbox & Auger Drive



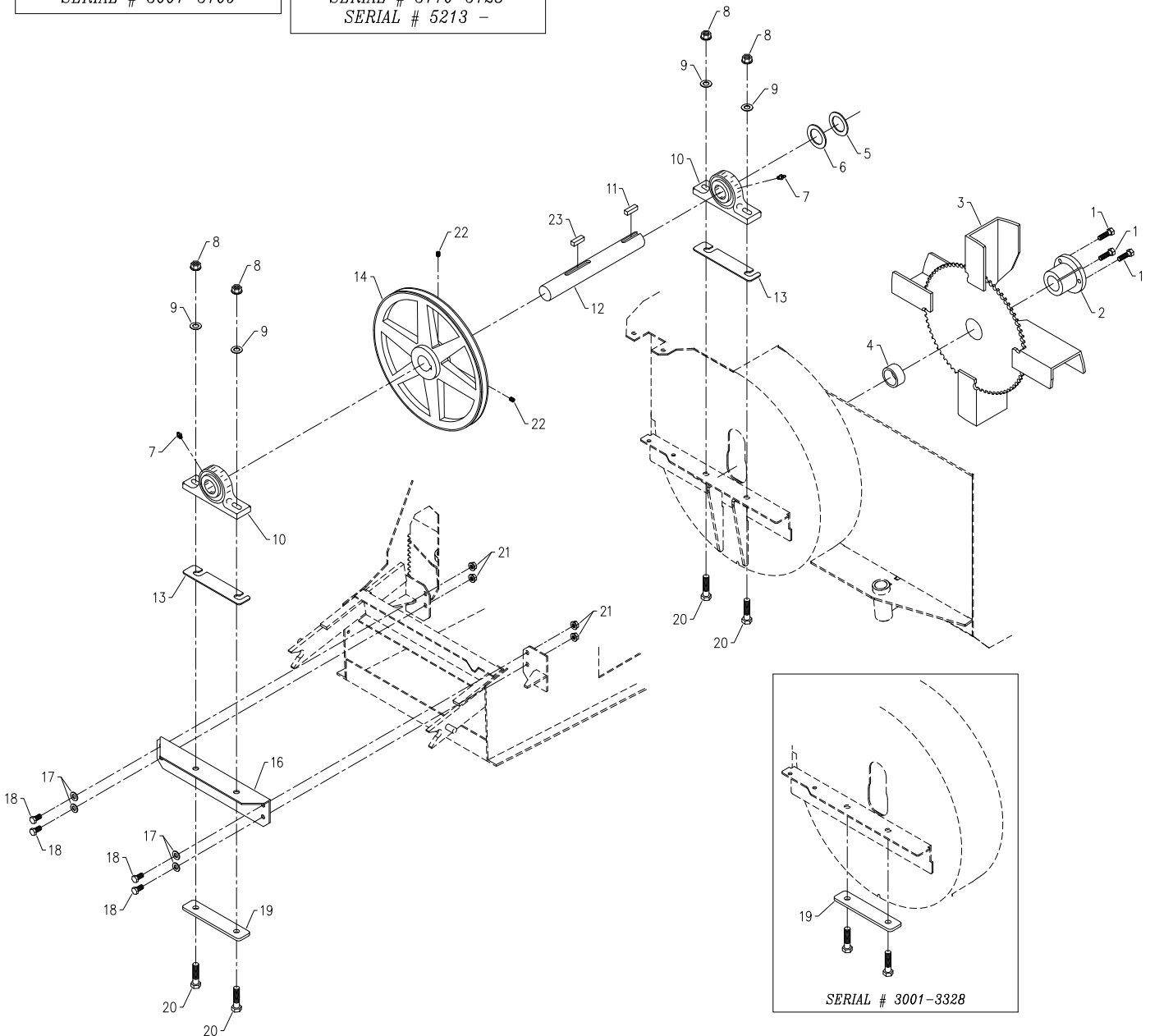
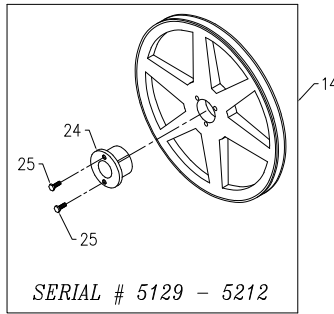
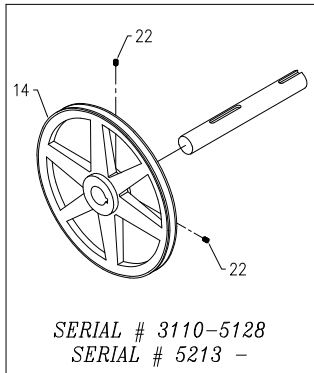
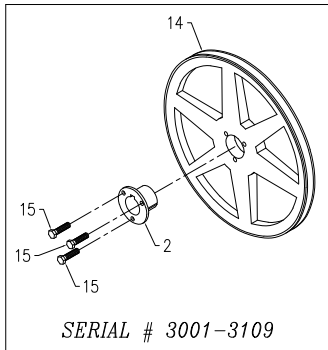
PARTS

Gearbox & Auger Drive

REF.	PART NO.	DESCRIPTION	QTY.
1	81.B050	.BELT, B50	2
2	90.0824	.BOLT, 1/2-13 USS X 3	1
3	95.08	.WASHER, FLAT 1/2 SAE	1
4	41.0066	.SPRING, SINGLE TORSION LH	1
5	85.B0027	.BUSHING, 1/2 ID X 5/8 OD X 5/8	2
6	40.0314	.ARM, AUGER DRIVE BELT IDLER	1
7	99.SF08	.NUT, SRF 1/2-13 USS	2
8	90.0418	.BOLT, 1/4-20 USS X 2 1/4	3
9	99.SF04	.NUT, SRF 1/4-20 USS	6
10	96.06	.WASHER, LOCK 3/8	4
11	90.0608	.BOLT, 3/8-16 USS X 1	4
12	87.0189	.GEARBOX, 1" SHAFT 2:1 CW/CCW	1
13	29.B0204G	.PIPE, BUSHING 1/8 X 1/4 GALV	1
14	29.0090	.PIPE, BREATHER PLUG 1/8	1
15	85.K0408	.KEY, 1/4 X 1	1
16	90.0616	.BOLT, 3/8-16 USS X 2	1
17	83.SH16	.BUSHING, 1" SH	1
18	83.2B36SH	.PULLEY, 2 B 3.6" 2-GROOVE	1
19	90.0416	.BOLT, 1/4-20 USS X 2	3
20	95.06	.WASHER, FLAT 3/8 SAE	A/R
21	83.0040	.PULLEY, IDLER FLAT 5" PLAIN	1
22	99.SF06	.NUT, SRF 3/8-16 USS	1
40	55.0076	.BEARING, CUP 1.980	4
41	55.0075	.BEARING, CONE 1.000	4
42	04.0026	.RETAINING RING, EXT 1.000 SHFT.	1
43	89.0075	.SEAL, OIL	2
44	89.0081	.SEAL, END CAP 1.50-25	1

PARTS

ILLUSTRATED DRAWING Fan & Fan Shaft



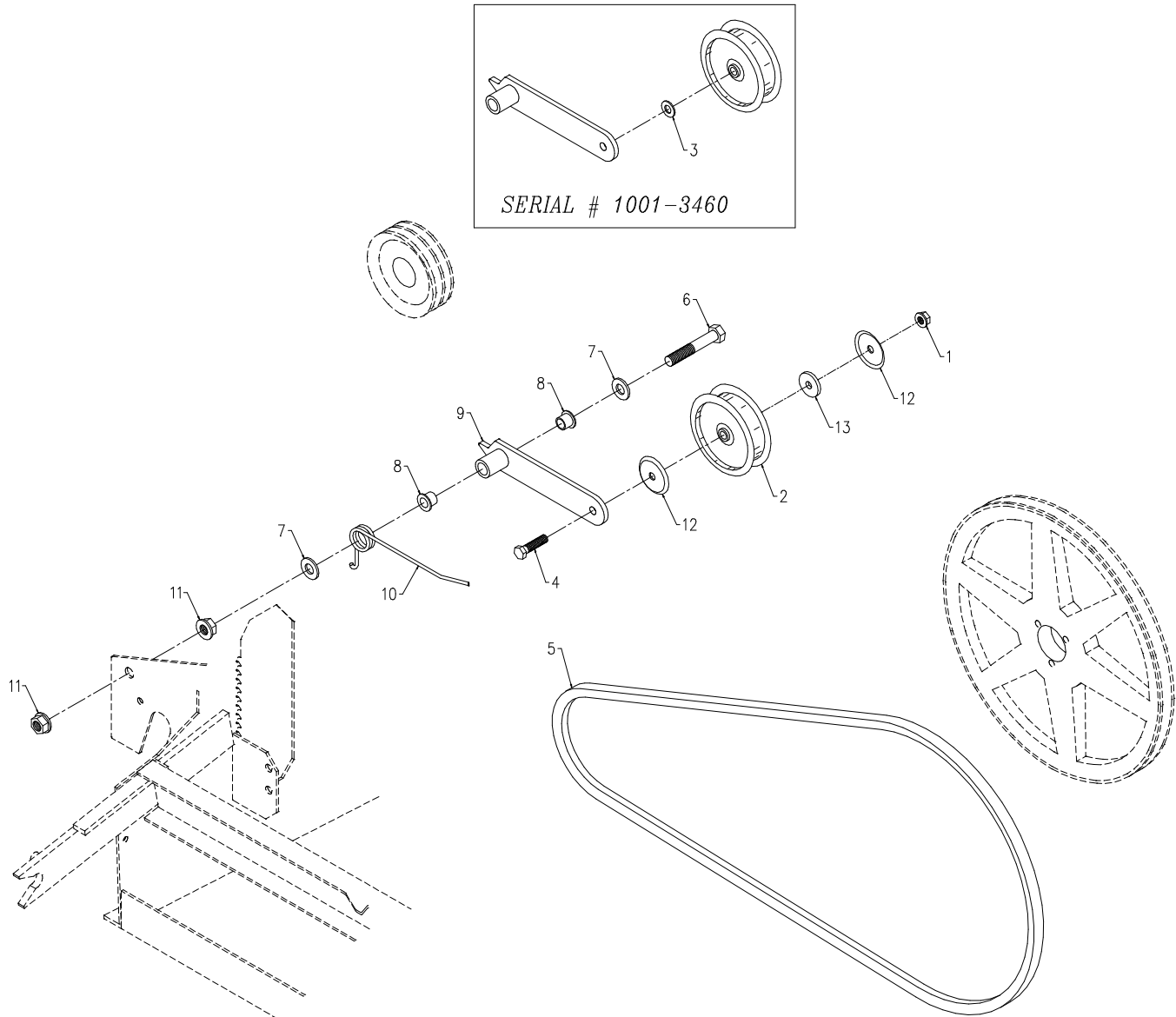
PARTS

Fan & Fan Shaft

REF.	PART NO.	DESCRIPTION	QTY.
1	90.0610	.BOLT, 3/8-16 USS X 1 1/4	3
2	83.Q123	.BUSHING, 1 7/16" Q1 (Serial # 3001-3109)	2
2	83.Q123	.BUSHING, 1 7/16" Q1 (Serial # 3110-)	1
3	80.0344	.BLOWER, FAN	1
4	64.1100	.BUSHING, 1-1/2 X 2 X 7/8L	1
5	99.B0031	.WASHER, MACH 1 1/2 14GA.	A/R
6	99.B0054	.WASHER, MACH 1 1/2 10GA.	A/R
7	29.GF0001	.GREASE FTG, 1/4 SAE ST	2
8	99.SF08	.NUT, SRF 1/2-13 USS	4
9	95.08	.WASHER, FLAT 1/2 SAE	4
10	55.PB22023	.BEARING, PILLOW BLOCK 1 7/16	2
11	85.K0610	.KEY, 3/8 X 1 1/4	1
12	80.0346	.SHAFT, TGP 1-7/16 X 11-3/4L	1
13	64.1466	.SHIM, 20GA FAN BEARING	A/R
14	83.TB124	.PULLEY (Serial # 3001-3109)	1
14	83.BK13023	.PULLEY, 13" 1-7/16" BORE (Serial # 3110-5128)	1
14	70.8197	.KIT, FAN SHAFT PULLEY (Serial # 5129-5212)	1
14	83.BK13023	.PULLEY, 13" 1-7/16" BORE (Serial # 5213-)	1
15	90.0612	.BOLT, 3/8-16 USS X 1 1/2 (Serial # 3001-3109)	3
16	64.1085	.MOUNT, REAR ROTOR BEARING (Serial # 3001-3328)	1
16	64.1671	.MOUNT, REAR ROTOR BEARING (Serial # 3329-)	1
17	95.06	.WASHER, FLAT 3/8 SAE	4
18	90.0606	.BOLT, 3/8-16 USS X 3/4 (Serial # 3001-3328)	4
18	90.0608	.BOLT, 3/8-16 USS X 1 (Serial # 3329-)	4
19	64.1099	.PLATE, BEARING REINFORCEMENT (Serial # 3001-3328)	2
19	64.1099	.PLATE, BEARING REINFORCEMENT (Serial # 3329-)	1
20	90.0816	.BOLT, 1/2-13 USS X 2	4
21	99.SF06	.NUT, SRF 3/8-16 USS	4
22	85.SS09	.SET SCREW, 5/16" X 3/8" (Serial # 3110-5128) (Serial # 5213-)	2
23	85.K0610	.KEY, 3/8 X 1 1/4 (Serial # 3110-5128)	1
23	85.K060410	.KEY, 3/8 X 1/4 X 1-1/4 (Serial # 5129-5212)	1
23	85.K0610	.KEY, 3/8 X 1 1/4 (Serial # 5213-)	1
24	83.H23	.BUSHING, 1 7/16" H (Serial # 5129-)	1
25	90.0406	.BOLT, 1/4-20 USS X 3/4 (Serial # 5129-)	2

PARTS

ILLUSTRATED DRAWING Fan Drive



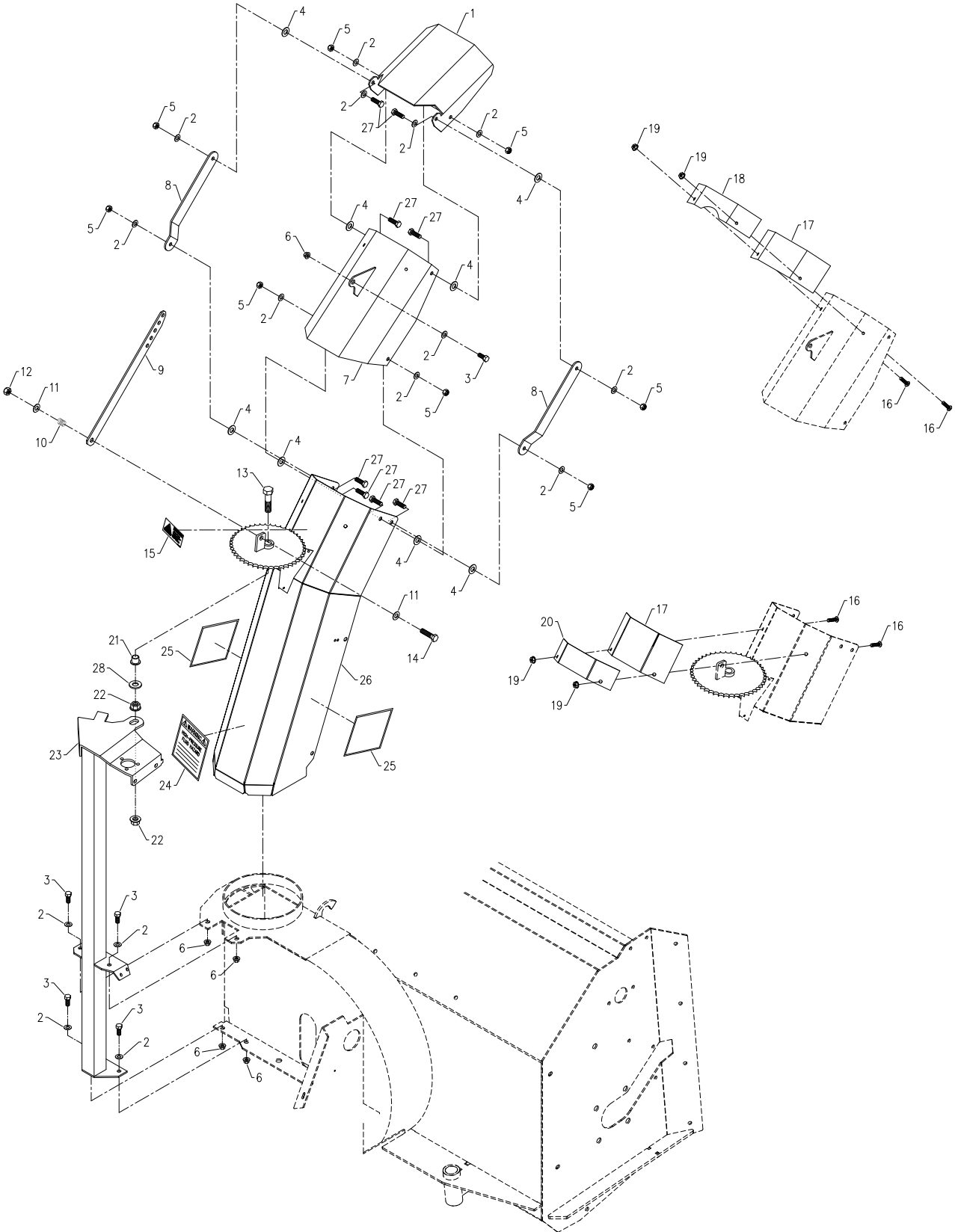
PARTS

Fan Drive

REF.	PART NO.	DESCRIPTION	QTY.
1	99.SF06	.NUT, SRF 3/8-16 USS.	1
2	83.0037	.PULLEY, IDLER FLAT 4" X 3/8.	1
3	95.06	.WASHER, FLAT 3/8 SAE (Serial # 1001-3460)	1
4	90.0612	.BOLT, 3/8-16 USS X 1 1/2.	1
5	81.0157	.BELT, BX55	1
6	90.0824	.BOLT, 1/2-13 USS X 3.	1
7	95.08	.WASHER, FLAT 1/2 SAE	2
8	85.B0027	.BUSHING, 1/2 ID X 5/8 OD X 5/8.	2
9	40.0313	.ARM, FAN DRIVE IDLER	1
10	41.0066	.SPRING, SINGLE TORSION LH	1
11	99.SF08	.NUT, SRF 1/2-13 USS.	2
12	60.1056	.COVER, PULLEY (Serial # 3461-)	2
13	99.G0014	.WASHER, 3/8 USS FW .165 THK (Serial # 3461-4299)	1

PARTS

ILLUSTRATED DRAWING Discharge Chute



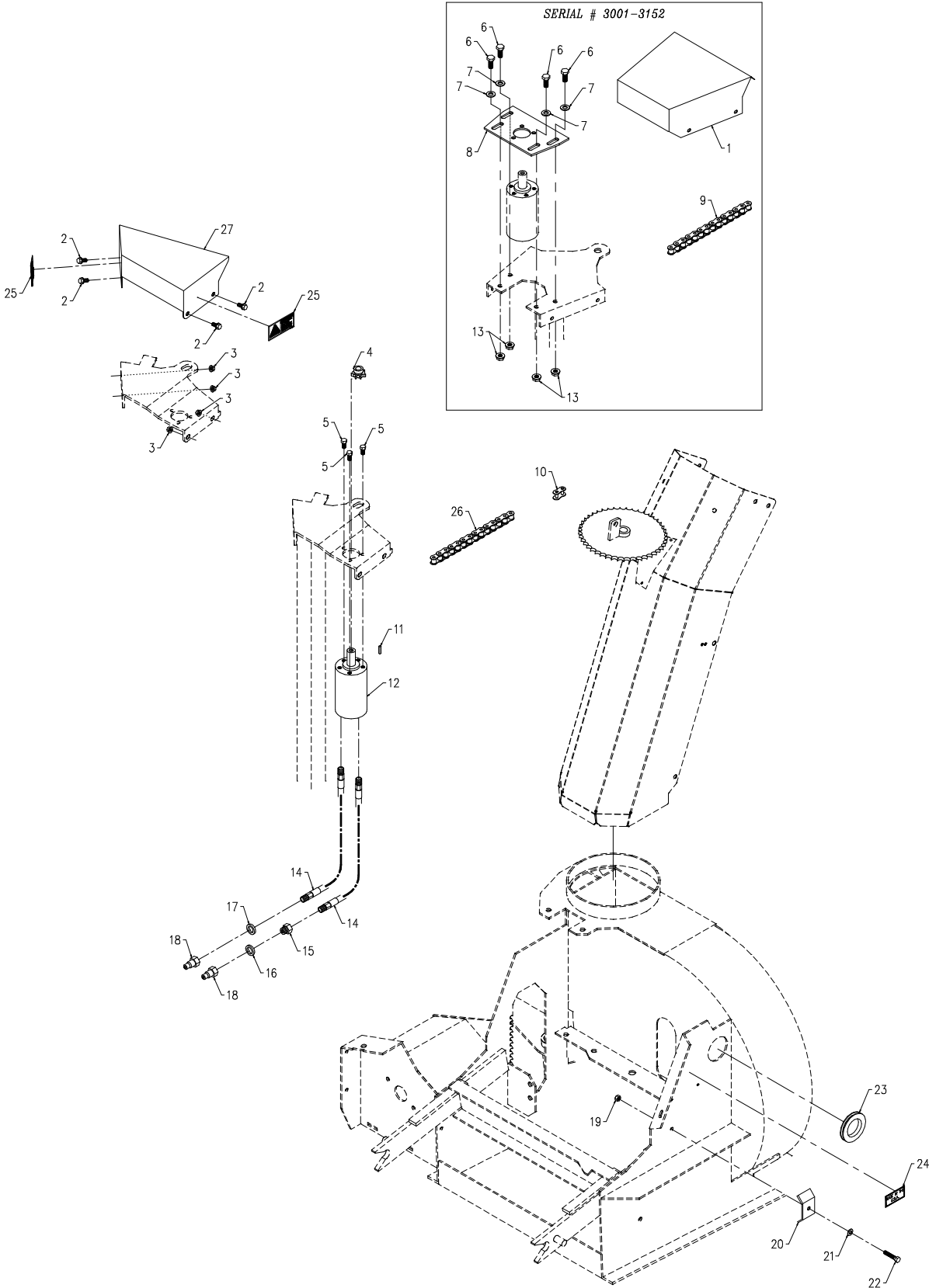
PARTS

Discharge Chute

REF.	PART NO.	DESCRIPTION	QTY.
1	62.0992	.CHUTE, FINAL EXTENSION	1
2	95.05	.WASHER, FLAT 5/16 SAE	15
3	90.0506	.BOLT, 5/16-18 USS X 3/4	5
4	05.0055	.WASHER, NYLON .34 X .74 X .062	8
5	99.A05	.LOCKNUT, STOVER 5/16-18 USS	8
6	99.SF05	.NUT, SRF 5/16-18 USS	5
7	62.0991	.CHUTE, MID DISCHARGE SECTION	1
8	42.0461	.LINK, CHUTE DEFLECTOR CONTROL	2
9	42.0462	.LINK, CHUTE DEFLECTOR ADJUST	1
10	41.0039	.SPRING, COMP. 9/16 OD X 5/8	1
11	95.06	.WASHER, FLAT 3/8 SAE	2
12	99.A06	.LOCKNUT, STOVER 3/8-16 USS	1
13	90.0816	.BOLT, 1/2-13 USS X 2	1
14	90.0612	.BOLT, 3/8-16 USS X 1 1/2	1
15	00.0218	.DECAL, WARNING PINCH POINT (Serial # 1001-6832)	1
15	00.0364	.DECAL, WARNING PINCH POINT (Serial # 6833-)	1
16	99.K0069	.BOLT, BUT HD SOCK SS 1/4 X 5/8	4
17	44.0272	.PLASTIC, CHUTE LINER	2
18	64.1485	.CLAMP, CHUTE LINER UPPER	1
19	99.SF04-3	.NUT, SRF 1/4-20 USS STAINLESS	4
20	64.1484	.CLAMP, CHUTE LINER MAIN	1
21	85.B0027	.BUSHING, 1/2 ID X 5/8 OD X 5/8	1
22	99.SF08	.NUT, SRF 1/2-13 USS	2
23	62.0993	.POST, DISCHARGE CHUTE MT (Serial # 3001-3152)	1
23	62.1280	.POST, CHUTE MOUNT (Serial # 3153-)	1
24	00.0103	.DECAL, HAZARD-HIGH PRESS.FLUID (Serial # 1001-6832)	1
24	00.0621	.DECAL, HIGH PRESSURE FLUID (Serial # 6833-)	1
25	00.0123	.DECAL, KEEP HAND AND FEET AWAY (Serial # 3001-3904)	2
25	00.0409	.DECAL, DISCHARGE CHUTE SAFETY (Serial # 3905-6832)	2
25	00.0640	.DECAL, DISCHARGE CHUTE SAFETY (Serial # 6833-)	2
26	62.0990	.CHUTE, MAIN BLOWER DISCHARGE	1
27	90.0508	.BOLT, 5/16-18 USS X 1	8
28	95.08	.WASHER, FLAT 1/2 SAE	1

PARTS

ILLUSTRATED DRAWING Discharge Chute Rotation Drive



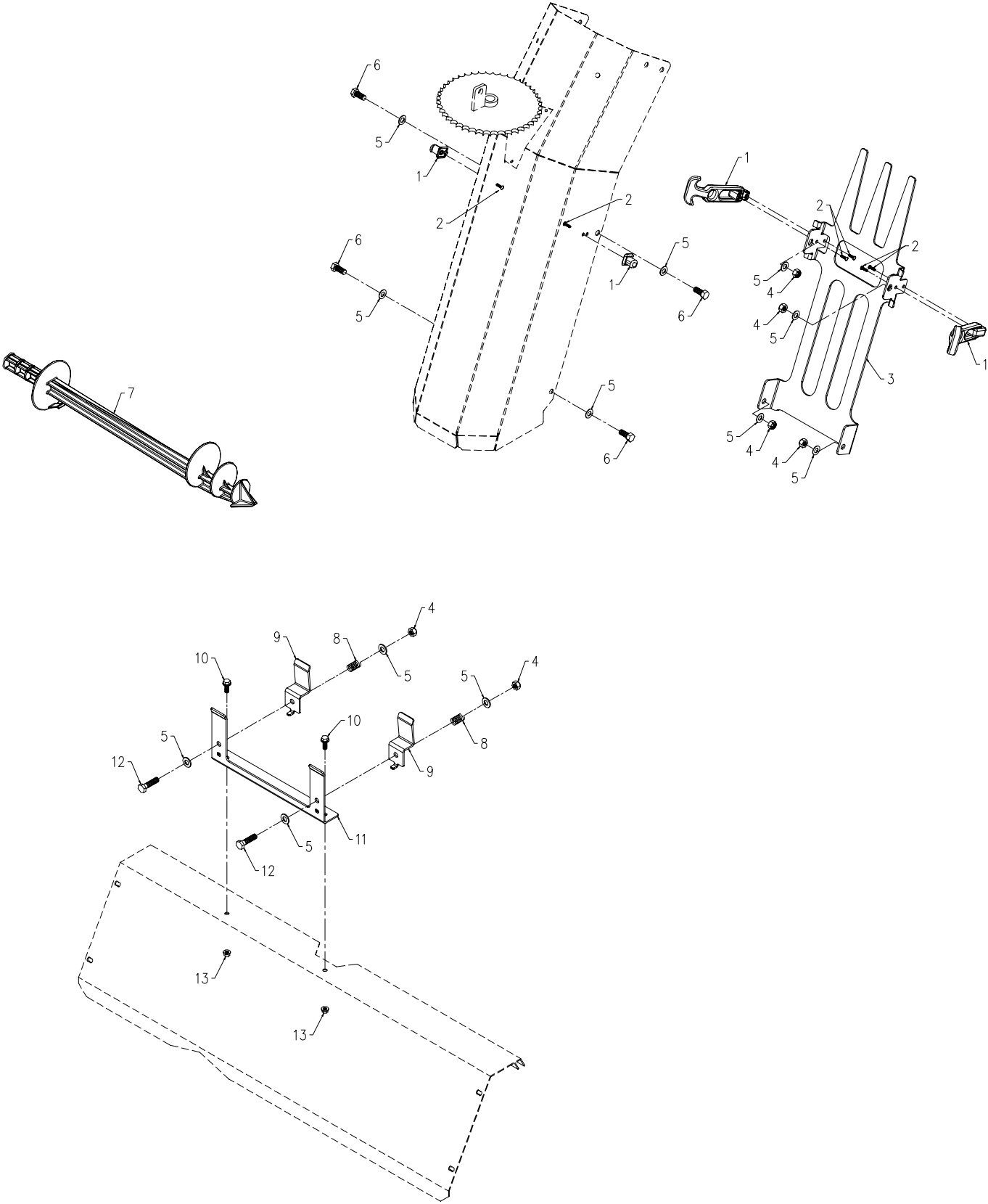
PARTS

Discharge Chute Rotation Drive

REF.	PART NO.	DESCRIPTION	QTY.
1	60.0872	.SHIELD, ROTATOR CHAIN COVER (Serial # 3001-3152)	1
2	99.SF0404-1	.BOLT, SRF 1/4-20 X 1/2 W/RUBBR	4
3	99.SF04	.NUT, SRF 1/4-20 USS	4
4	83.H409	.SPROCKET, #40 9-T HRD 5/8 BORE	1
5	91.0404	.BOLT, 1/4-28 SAE X 1/2	3
6	90.0506	.BOLT, 5/16-18 USS X 3/4 (Serial # 3001-3152)	4
7	95.05	.WASHER, FLAT 5/16 SAE (Serial # 3001-3152)	4
8	62.1000	.PLATE, HYDRA MOTOR MT (Serial # 3001-3152)	1
9	81.0147	.CHAIN, ROLLER #40 X 30-7/8 SS (Serial # 3001-3152)	1
10	81.0056-1	.LINK, CONN. #40 SS	1
11	85.K0307	.KEY, 3/16 X 5/8	1
12	21.0113	.MOTOR, HYD 1.93 CU.IN	1
13	99.SF05	.NUT, SRF 5/16-18 USS (Serial # 3001-3152)	4
14	20.0210	.HOSE, ASM C 1/4 X 78"-2750	2
15	29.0092	.FITTING, .025 ORIFICE 1/4 PIPE	1
16	05.0116	.WASHER, .544ID X .817 X.14 RED	1
17	05.0117	.WASHER, .544ID X .817 X.14 YEL	1
18	23.0104	.COUPLER, HYD. QUICK MALE 1/4	2
19	99.A04	.LOCKNUT, STOVER 1/4-20 USS	1
20	64.0673	.CLAMP, HYDRAULIC HOSE	1
21	95.04	.WASHER, FLAT 1/4 SAE	1
22	90.0410	.BOLT, 1/4-20 USS X 1 1/4	1
23	05.0040	.GROMMET, 1 1/2ID, 2-3/8OD, 3/32T	1
24	00.0770	.DECAL, MADE IN USA	1
25	00.0216	.DECAL, WARNING MOVING PARTS (Serial # 1001-6832)	2
25	00.0631	.DECAL, FINGER/HAND ENTANGLEMENT (Serial # 6833-)	2
26	81.0153	.CHAIN, ROLLER #40 X 28" SS (Serial # 3153-)	1
27	60.1013	.SHIELD, CHUTE ROTATION MOTOR (Serial # 3153-)	1

PARTS

ILLUSTRATED DRAWING Discharge Chute Guard & Cleaning Tool



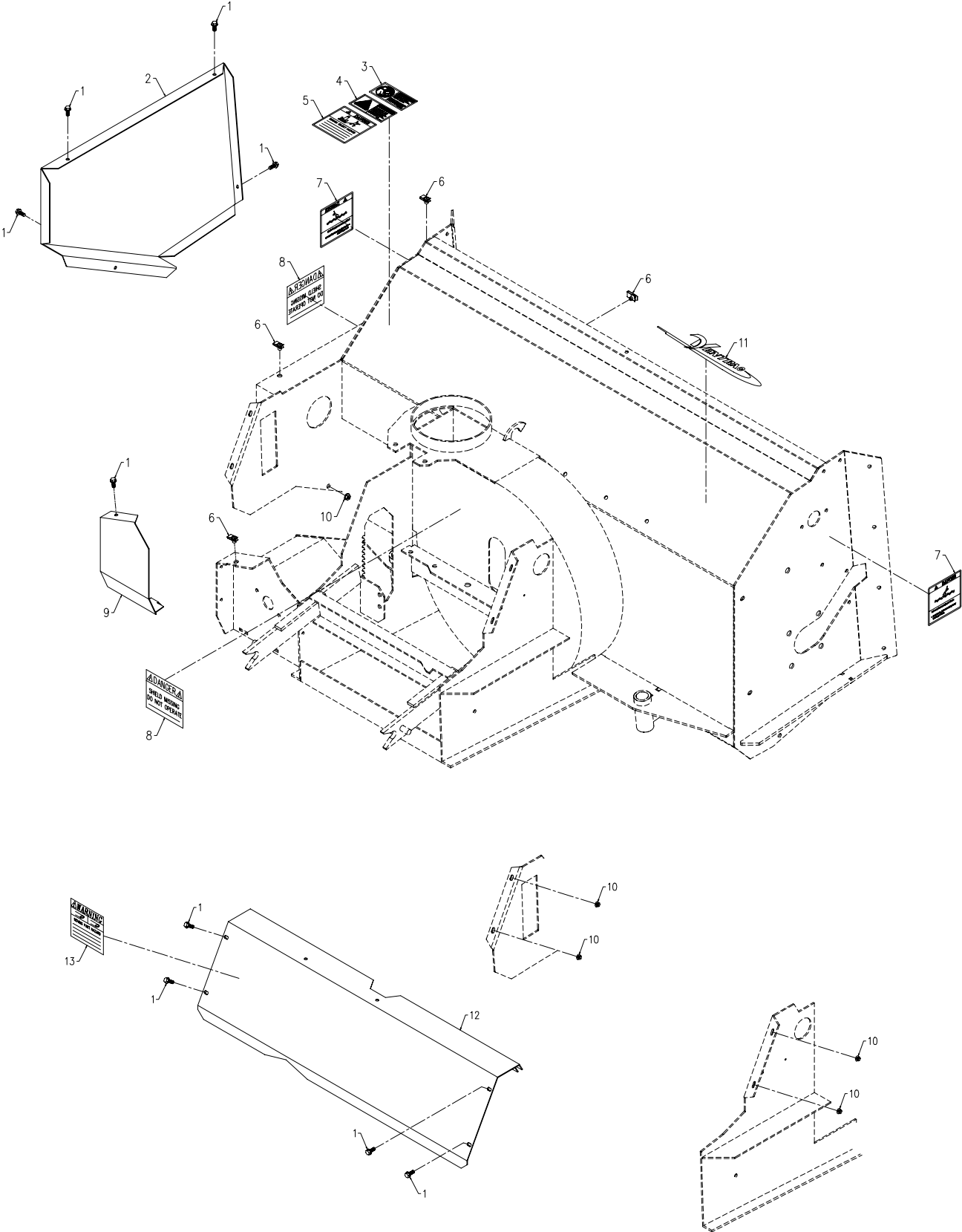
PARTS

Discharge Chute Guard & Cleaning Tool

REF.	PART NO.	DESCRIPTION	QTY.
1	47.0127	.LATCH, RUBBER DRAW T-HANDLE	2
2	99.K0072	.MACHINE SCREW, 10-24 X 1/2 ZP	6
3	60.1060	.GUARD, CHUTE DISCHARGE	1
4	99.A05	.LOCKNUT, STOVER 5/16-18 USS	6
5	95.05	.WASHER, FLAT 5/16 SAE	12
6	90.0506	.BOLT, 5/16-18 USS X 3/4	4
7	72.0023	.TOOL, CHUTE CLEANING	1
8	41.0039	.SPRING, COMP. 9/16 OD X 5/8	2
9	64.1482	.BRACKET, SNO-STIK DETENT	2
10	99.SF0405-1	.BOLT, SMF 1/4-20 X 5/8	2
11	64.1481	.BRACKET, SNO-STIK MOUNT	1
12	90.0510	.BOLT, 5/16-18 USS X 1 1/4	2
13	99.SF04	.NUT, SRF 1/4-20 USS	2

PARTS

ILLUSTRATED DRAWING Drive Shields



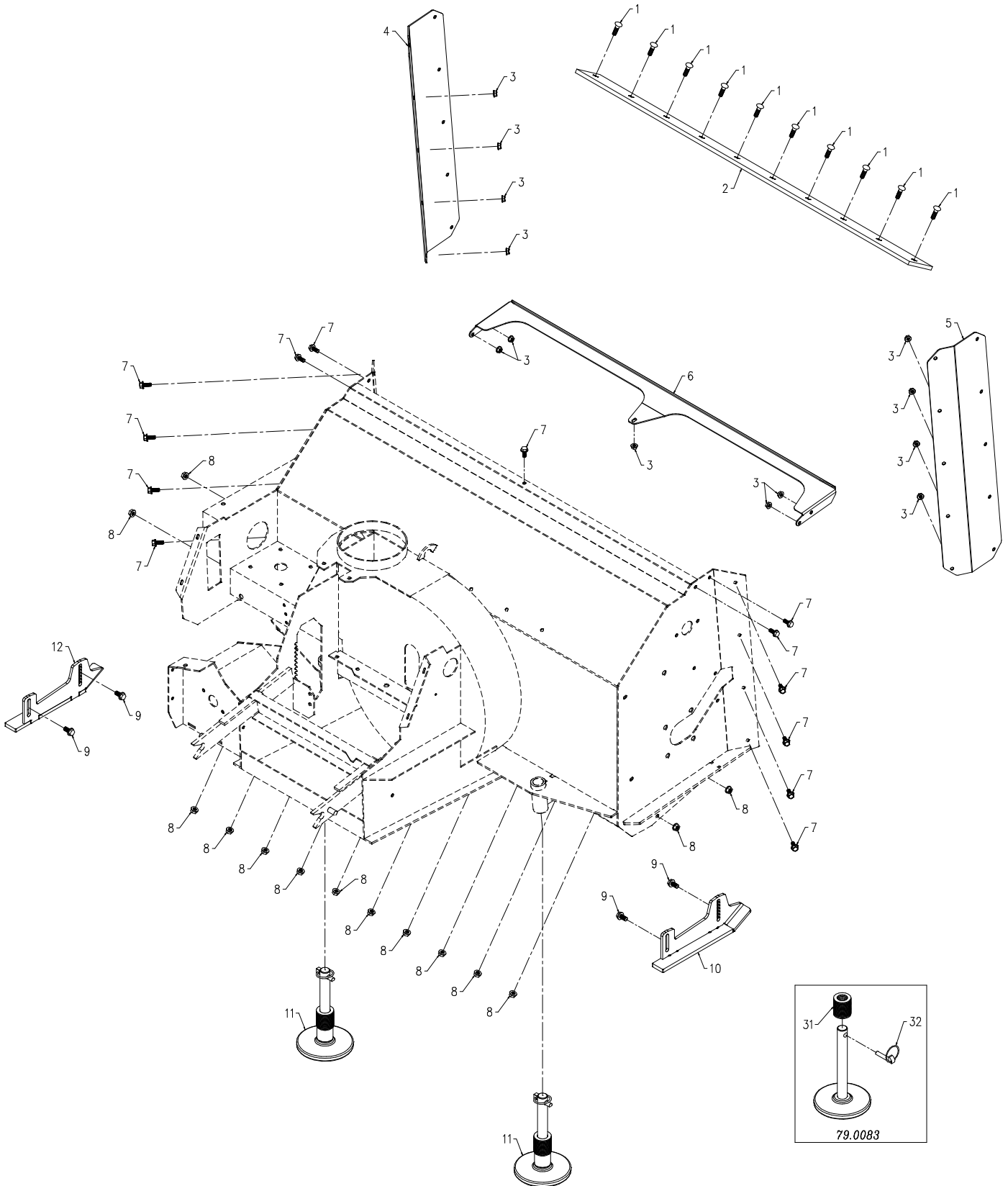
PARTS

Drive Shields

REF.	PART NO.	DESCRIPTION	QTY.
1	99.SF0405-1	.BOLT, SMF 1/4-20 X 5/8	9
2	60.0868	.SHIELD, AUGER DRIVE BELT	1
3	00.0217	.DECAL, WARNING READ OWNERS MAN (Serial # 1001-6832)	1
3	00.0619	.DECAL, READ OPERATOR'S MANUAL (Serial # 6833-)	1
4	00.0220	.DECAL, GENERAL SAFETY (Serial # 1001-6832)	1
4	00.0632	.DECAL, MOVING PARTS HAZARD (Serial # 6833-)	1
5	00.0122	.DECAL, THROWN OBJECT HAZARD (Serial # 1001-6832)	1
5	00.0674	.DECAL, THROWN OBJECTS (Serial # 6833-)	1
6	99.E0046	.NUT, "U" 1/4-20 EXTRUDED	3
7	00.0208	.DECAL, DANGER AUGER HAZARD (Serial # 1001-6832)	2
7	00.0630	.DANGER, ENTANGLEMENT HAZARD (Serial # 6833-)	2
8	00.0062	.DECAL, DANGER SHIELD MISSING (Serial # 1001-6832)	2
8	00.0625	.DECAL, SHIELD MISSING (Serial # 6833-)	2
9	60.0869	.SHIELD, DRIVE PULLEY COVER	1
10	99.SF04	.NUT, SRF 1/4-20 USS	5
11	00.0189	.DECAL, VENTRAC ORBITAL (Serial # 1001-7108)	1
11	00.0383	.DECAL, VENTRAC (Serial # 7109-)	1
12	60.0871	.SHIELD, MAIN DRIVE COVER	1
13	00.0101	.DECAL, HAZARD-MOVING PART (Serial # 1001-6832)	1
13	00.0626	.DANGER, ENTANGLEMENT HAZARD (Serial # 6833-)	1

PARTS

ILLUSTRATED DRAWING Skid Shoes, Cutting Edge, & Crossbar Guard



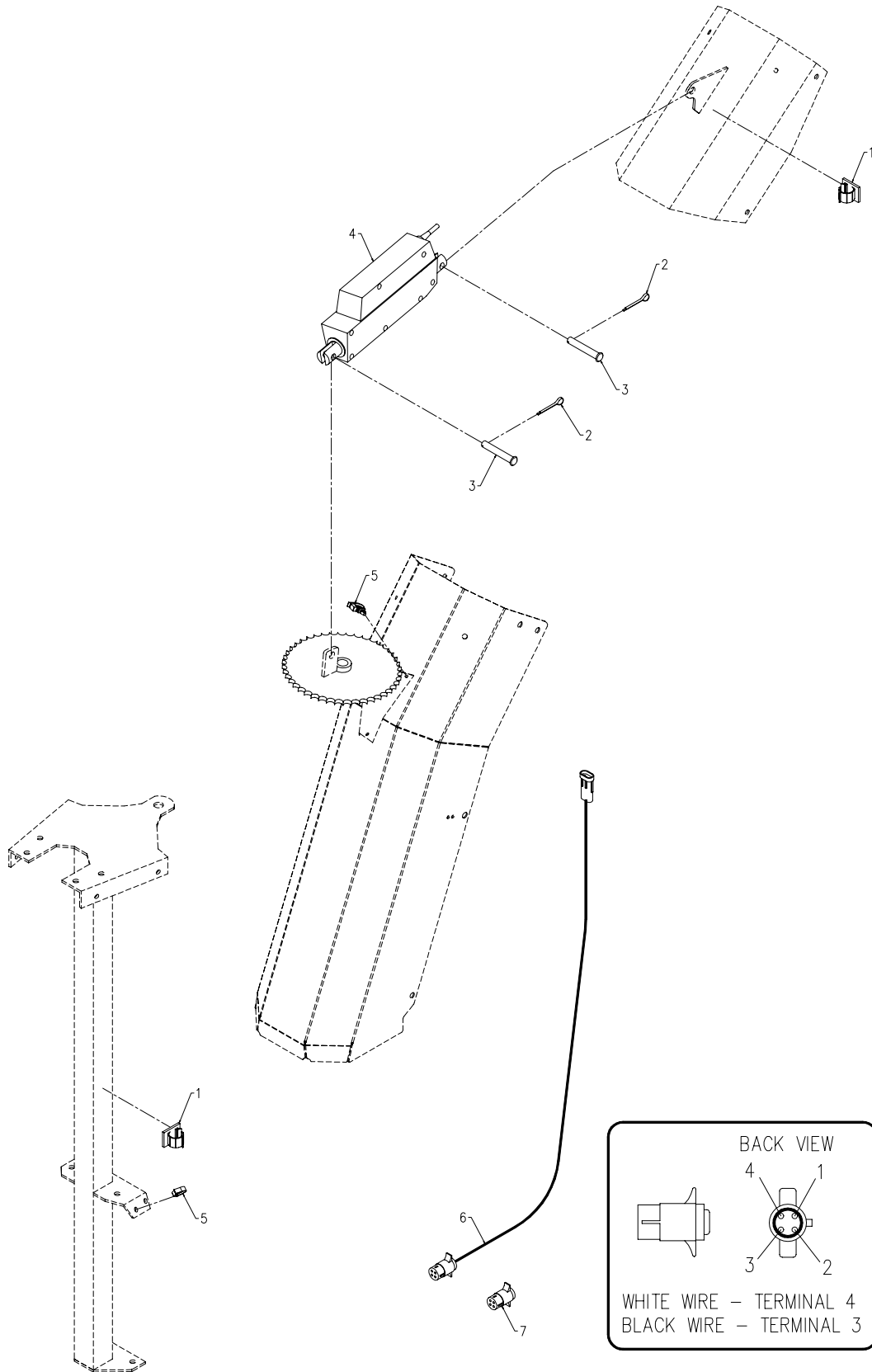
PARTS

Skid Shoes, Cutting Edge, & Crossbar Guard

REF.	PART NO.	DESCRIPTION	QTY.
1	97.0608	.BOLT, CARRIAGE 3/8 X 1	10
2	78.0054	.CUTTING EDGE, 47" THRU HARD	1
3	99.SF05	.NUT, SRF 5/16-18 USS	13
4	60.0878	.CUTTING EDGE, VERTICAL LEFT	1
5	60.0983	.CUTTING EDGE, VERTICAL RIGHT	1
6	60.1059	.GUARD, AUGER HSG CROSSBAR	1
7	99.SF0506	.BOLT, SRF 5/16-18 USS X 3/4	13
8	99.SF06	.NUT, SRF 3/8-16 USS	14
9	99.SF0606	.BOLT, SRF 3/8-16 USS X 3/4	4
10	64.1471	.SHOE, SKID FRONT RIGHT	1
11	79.0083	.SHOE, SKID ROUND ASM	2
12	64.1470	.SHOE, SKID FRONT LEFT	1
31	95.16	.WASHER, FLAT 1 SAE	19
32	03.0005	.PIN, LYNCH	1

PARTS

ILLUSTRATED DRAWING 70.8025 12 Volt Actuator



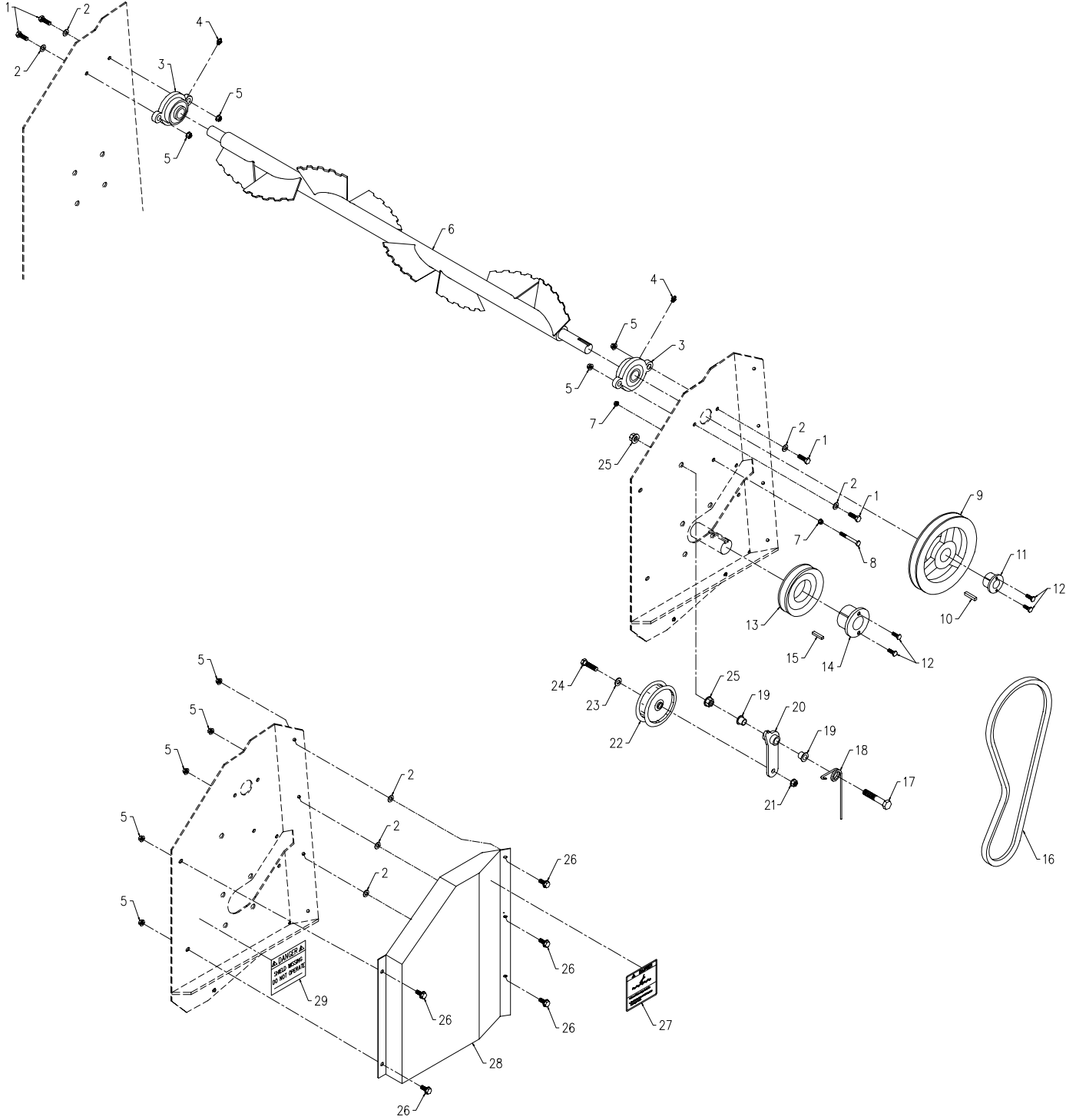
PARTS

70.8025 12 Volt Actuator

REF.	PART NO.	DESCRIPTION	QTY.
1	30.0226	.CLAMP, WIRE MT ADH. 3/8 GRAY	2
2	02.CP0306	.COTTER PIN, 3/32 X 3/4	2
3	03.0610	.CLEVIS PIN, 3/8 X 1 1/4 ZP	2
4	70.8025	.KIT, 12V ACTUATOR, HB/KX	1
5	30.0135	.CLAMP, LOOM 3/8 ROSEBUD MOUNT	2
6	32.0074	.HARNESS, 12 V ACTUATOR HB/KX	1
7	30.0218	.PLUG, TRAILER 4-PIN MALE	1

PARTS

ILLUSTRATED DRAWING 70.8072 Deep Snow Auger Kit



PARTS

70.8072 Deep Snow Auger Kit

REF.	PART NO.	DESCRIPTION	QTY.
1	90.0508	.BOLT, 5/16-18 USS X 1	4
2	95.05	.WASHER, FLAT 5/16 SAE	7
3	55.FB16016-1	.BEARING, FLANGE BLOCK 1"	2
4	29.GF0001	.GREASE FTG, 1/4 SAE ST	2
5	99.SF05	.NUT, SRF 5/16-18 USS	10
6	80.0370	.AUGER, TOP KX522	1
7	99.SF04	.NUT, SRF 1/4-20 USS	2
8	90.0418	.BOLT, 1/4-20 USS X 2 1/4	1
9	83.BK70H	.PULLEY, 7" H-BUSH	1
10	85.K0408	.KEY, 1/4 X 1	1
11	83.H16S	.BUSHING, 1" SPLIT 1/4" KEY	1
12	90.0406	.BOLT, 1/4-20 USS X 3/4	4
13	83.BK36H	.PULLEY, 3.6" H-BUSH	1
14	83.H23	.BUSHING, 1 7/16" H	1
15	85.K030410	.KEY, 3/16 X 1/4 X 1-1/4	1
16	81.B040	.BELT, B40	1
17	90.0822	.BOLT, 1/2-13 USS X 2 3/4	1
18	41.0083	.SPRING, TORSION RH 1-3/16 IDX7	1
19	85.B0027	.BUSHING, 1/2 ID X 5/8 OD X 5/8	2
20	40.0348	.ARM, TOP AUGER DRIVE BLT IDLER	1
21	99.SF06	.NUT, SRF 3/8-16 USS	1
22	83.0037	.PULLEY, IDLER FLAT 4" X 3/8	1
23	95.06	.WASHER, FLAT 3/8 SAE	1
24	90.0612	.BOLT, 3/8-16 USS X 1 1/2	1
25	99.SF08	.NUT, SRF 1/2-13 USS	2
26	99.SF0506	.BOLT, SRF 5/16-18 USS X 3/4	5
27	00.0208	.DECAL, DANGER AUGER HAZARD (Serial # 1001-6832)	1
27	00.0630	.DECAL, ENTANGLEMENT HAZARD (Serial # 6833-)	1
28	60.0990	.SHIELD, TOP AUGER DRIVE BELT	1
29	00.0062	.DECAL, DANGER SHIELD MISSING (Serial # 1001-6832)	1
29	00.0625	.DECAL, SHIELD MISSING (Serial # 6833-)	1