

Parts Manual

NA 130

Drop Spreader



Revised 01/04/24
09.20067 Rev. 02



500 Venture Drive
Orrville Oh 44667
www.ventrac.com

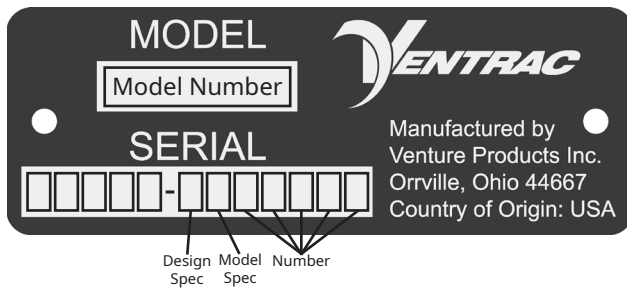
[View all manuals](#)



Visit ventrac.com/manuals for the latest version of this parts manual.

A downloadable operator's manual is also available.

Serial Number Description



Notes

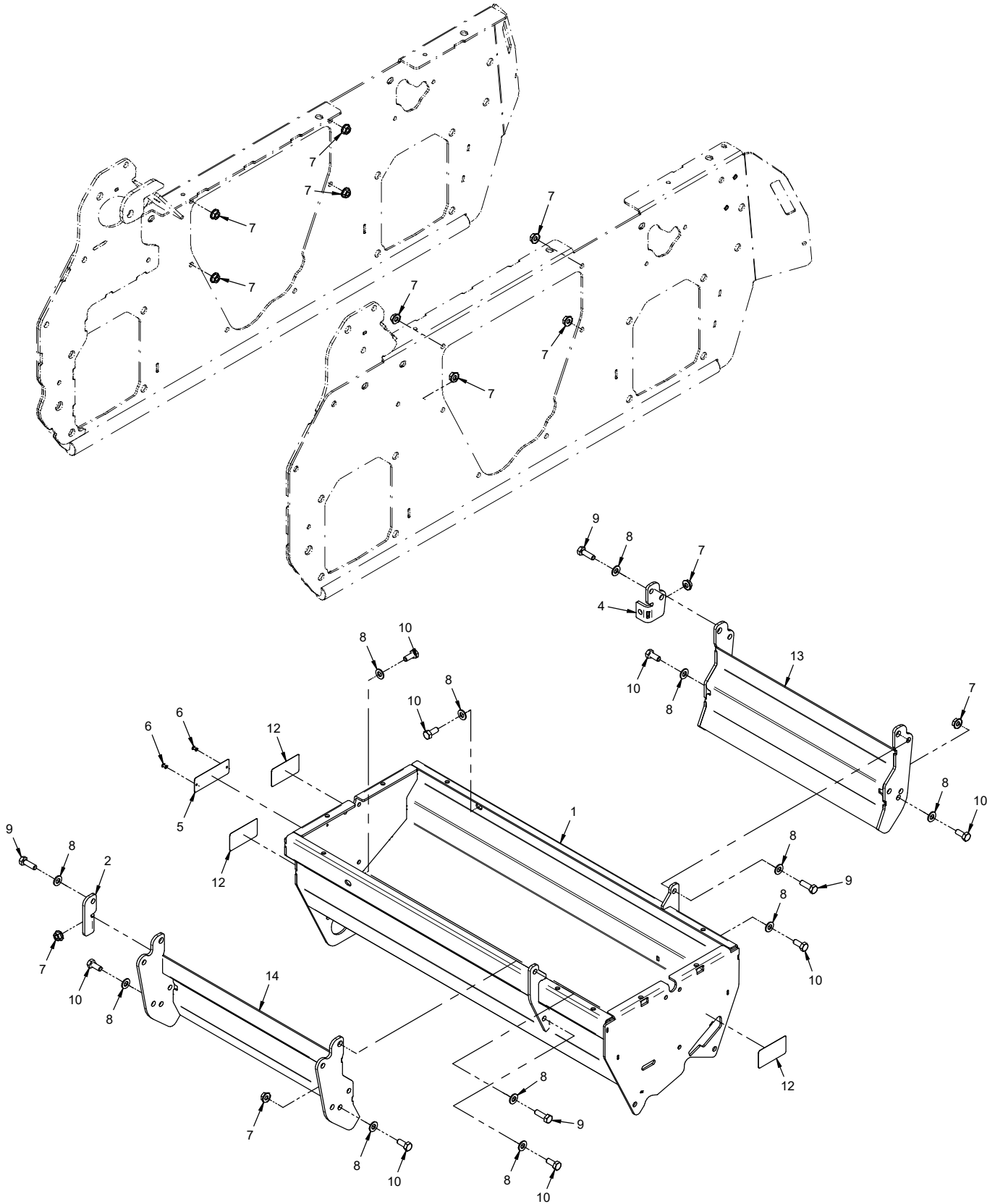
- If any component requires replacement, use only original Ventrac replacement parts.
- When ordering new components, be sure to order all required safety decals. All current safety decals must be affixed to the replacement components prior to installation of the component.

TABLE OF CONTENTS

PARTS	PAGE 4
Main Frame & Mounts.....	4
Motor Mount.....	6
Bin Extensions & Front Bin Seal.....	8
Chain Drive.....	10
Rotor & Rear Roller Seal.....	12
Gate Panel & Control Link.....	14
Drive Chain Guard, Rotor Gear Guard, & Rotor Caps.....	16
Spreader Controller.....	18
70.6029 Drop Spreader Controller Kit.....	20

PARTS

ILLUSTRATED DRAWING Main Frame & Mounts



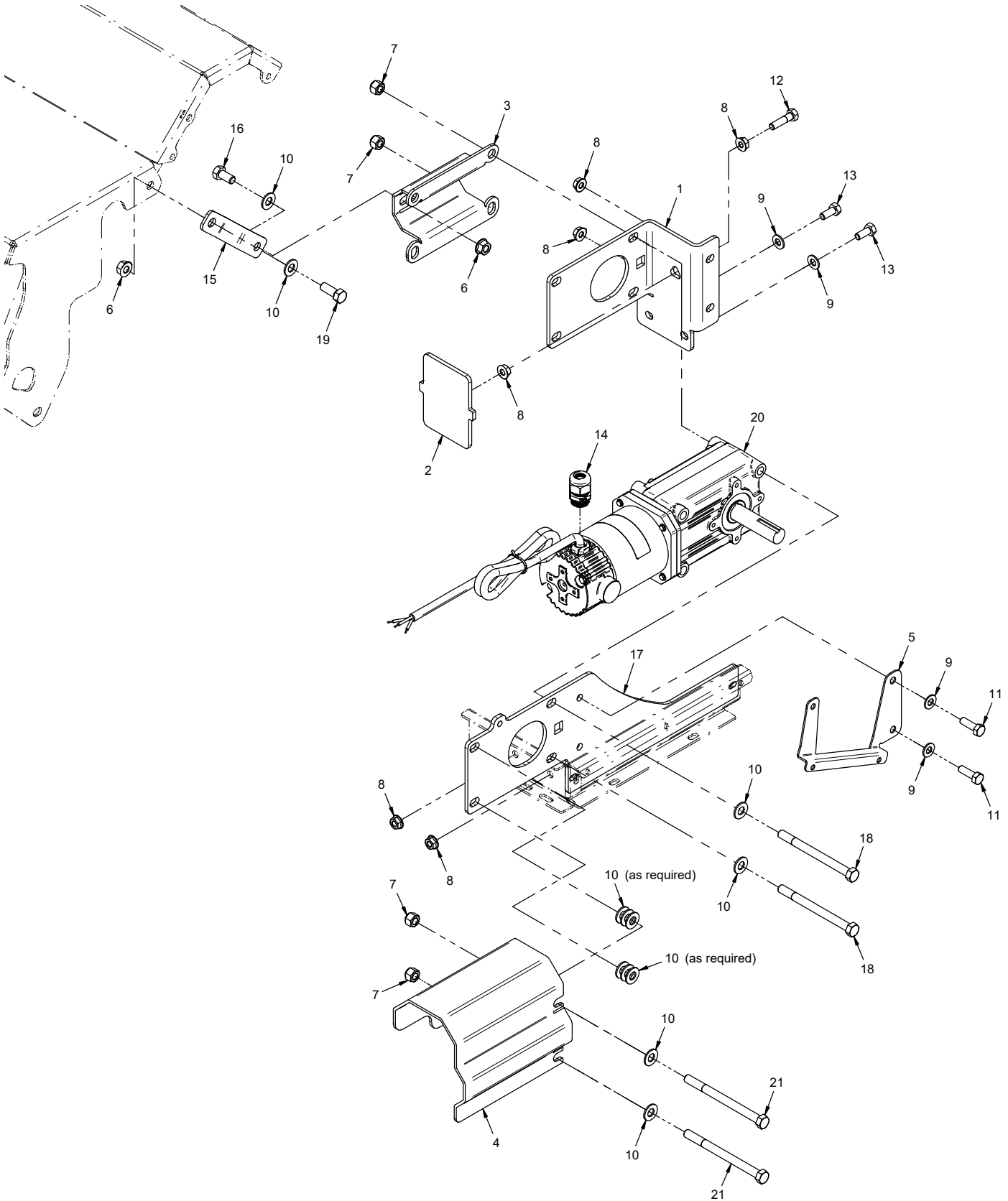
PARTS

Main Frame & Mounts

REF.	PART NO.	DESCRIPTION	QTY.
1	NA-6940	.Bin, Main	1
2	NA-1922	.Bracket, Bin Mount Right Front (Serial # 01001 - 02094)	1
2	NA-1217	.Bracket, Bin Mount Right Front (Serial # 02095-)	1
4	NA-1919	.Bracket, Bin Mount Right Rear (Serial # 01001 - 02094)	1
4	NA-1215	.Bracket, Bin Mount Right Rear (Serial # 02095-)	1
5	N/A	.Plate, Ventrac Serial Number	1
6	04.0029	.Rivet, Pop 1/8" X 1/4" SS	2
7	99.SF05-3	.Nut, SRF 5/16-18 USS Stainless	12
8	95.05-3	.Washer, Flat 5/16 SAE SS	12
9	90.0508-3	.Bolt, 5/16-18 USS x 1 SS	4
10	90.0506-3	.Bolt, 5/16-18 USS x 3/4 SS	8
12	00.0364	.Decal, Warning Pinch Point	3
13	NA-6902	.Bracket, Bin Mount (Serial # 01001 - 02094)	1
13	NA-6031	.Bracket, Rear Bin Mount (Serial # 02095-)	1
14	NA-6902	.Bracket, Bin Mount (Serial # 01001 - 02094)	1
14	NA-6032	.Bracket, Front Bin Mount (Serial # 02095-)	1

PARTS

ILLUSTRATED DRAWING Motor Mount



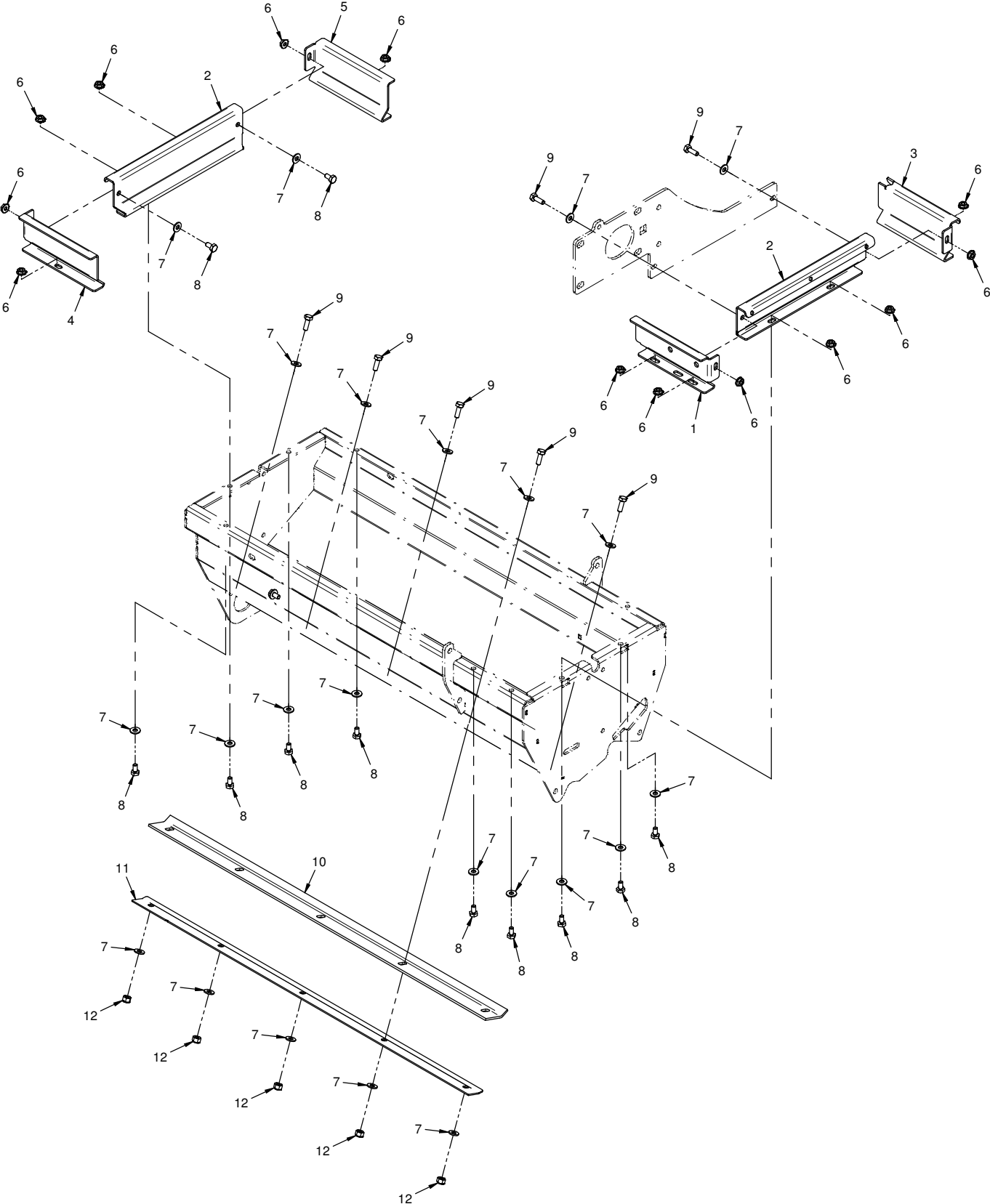
PARTS

Motor Mount

REF.	PART NO.	DESCRIPTION	QTY.
1	NA-2009	.Plate, Motor Mount Reinforcement	1
2	NA-2012	.Bracket, Motor Adjuster	1
3	NA-2013	.Shield, Motor	1
4	NA-2014	.Shield, Motor Top	1
5	NA-2015	.Shield, Motor Cord	1
6	99.SF06-3	.Nut, SRF 3/8-16 USS Stainless	2
7	99.A06N-3	.Locknut, Nylon 3/8-16 SS	4
8	99.SF05-3	.Nut, SRF 5/16-18 USS Stainless	6
9	95.05-3	.Washer, Flat 5/16 SAE SS	4
10	95.06-3	.Washer, Flat 3/8 SAE SS	12
11	90.0508-3	.Bolt, 5/16-18 USS x 1 SS	2
12	90.0510-3	.Bolt, 5/16-18 USS x 1-1/4 SS	1
13	90.0506-3	.Bolt, 5/16-18 USS x 3/4 SS	2
14	47.0442	.Grip, Cord	1
15	NA-2018	.Bracket, Support	1
16	90.0606-3	.Bolt, 3/8-16 USS x 3/4SS	1
17	NA-2008	.Plate, Motor Mount	1
18	90.0636-3	.Bolt, 3/8-16 USS x 4-1/2 SS	2
19	90.0608-3	.Bolt, 3/8-16 USS x 1 SS	1
20	37.0069	.Motor, Elec Gear RT Angle 1/17HP 12.2 RPM	1
21	90.0638-3	.Bolt, 3/8-16 USS x 4-3/4 SS	2

PARTS

ILLUSTRATED DRAWING Bin Extensions & Front Bin Seal



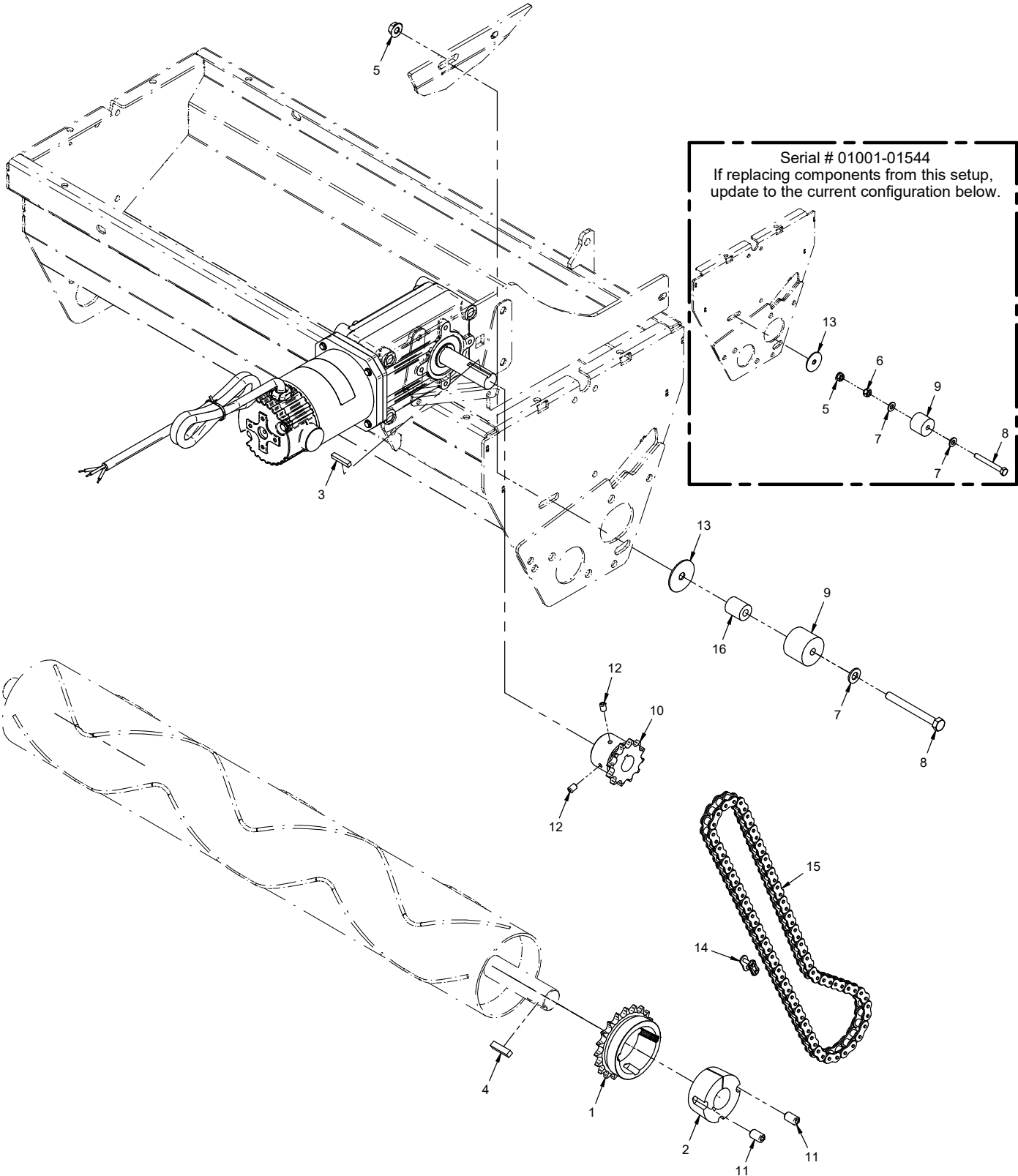
PARTS

Bin Extensions & Front Bin Seal

REF.	PART NO.	DESCRIPTION	QTY.
1	NA-1925	.Extension, Bin Left Front	1
2	NA-1923	.Extension, Bin End	2
3	NA-1924	.Extension, Bin Left Rear	1
4	NA-1926	.Extension, Bin Right Front	1
5	NA-1927	.Extension, Bin Right Rear	1
6	99.SF04-3	.Nut, SRF 1/4-20 USS Stainless	13
7	95.04-3	.Washer, Flat 1/4 SAE SS	23
8	90.0404-3	.Bolt, 1/4-20 USS x 1/2 SS	11
9	90.0406-3	.Bolt, 1/4-20 USS x 3/4 SS	7
10	NA-1908	.Seal, Bin Front Belting	1
11	NA-1909	.Clamp, Bin Front Belting Seal	1
12	99.A04N-3	.Locknut, Nylon 1/4-20 USS SS	5

PARTS

ILLUSTRATED DRAWING Chain Drive



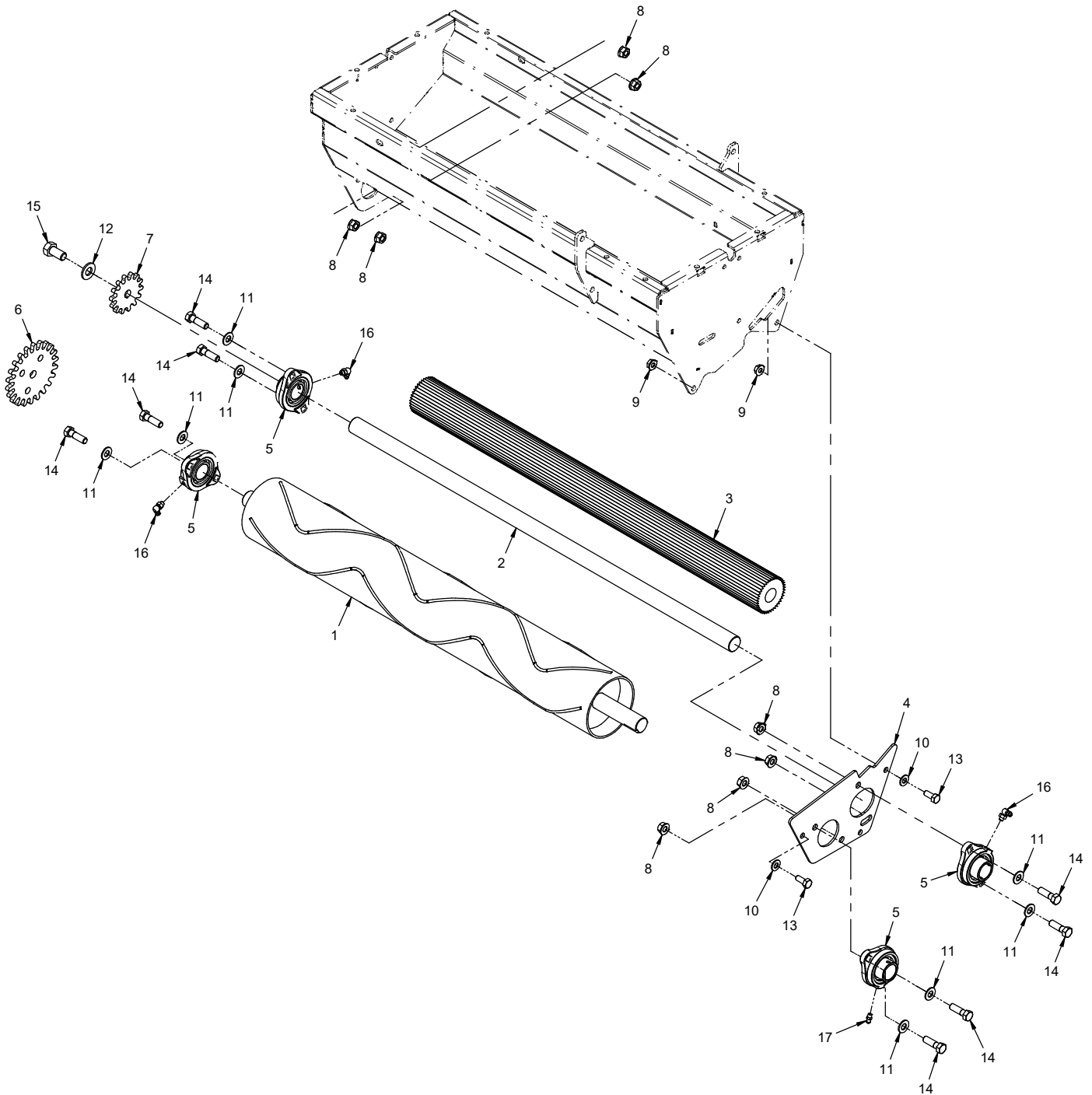
PARTS

Chain Drive

REF.	PART NO.	DESCRIPTION	QTY.
1	83.40TB20	Sprocket, #40 20-T Taper Bore	1
2	83.161016	Bushing, 1610 x 1" Taperd Lock	1
3	85.K0308	Key, 3/16 X 1	1
4	85.K0408-3	Key, 1/4 x 1 316SS	1
5	99.SF05-3	Nut, SRF 5/16-18 USS Stainless	2
6	99.A05N-3	Locknut, Nylon 5/16-18 SS	1
7	95.05-3	Washer, Flat 5/16 SAE SS	2
8	90.0524-23	Bolt, 5/16-18 x 3 SS Full	1
9	50.0199	Roller, Chain Tension	1
10	NA-3000	Sprocket, #40 12-T 3/4" Bore	1
11	85.SS27	Set Screw, 3/8-16 x 5/8 SS	2
12	85.SS24	Set Screw, 1/4-20 x 3/8 SS	2
13	99.B0103	Washer, Fender 5/16 SS	1
14	81.0056-1	Link, Conn. #40 SS	1
15	81.0163	Chain, Roller #40 x 39-1/2"	1
16	64.2018	Spacer, 5/16 ID x 3/4 OD x 7/8L SS	1

PARTS

ILLUSTRATED DRAWING Rotor & Rear Roller Seal



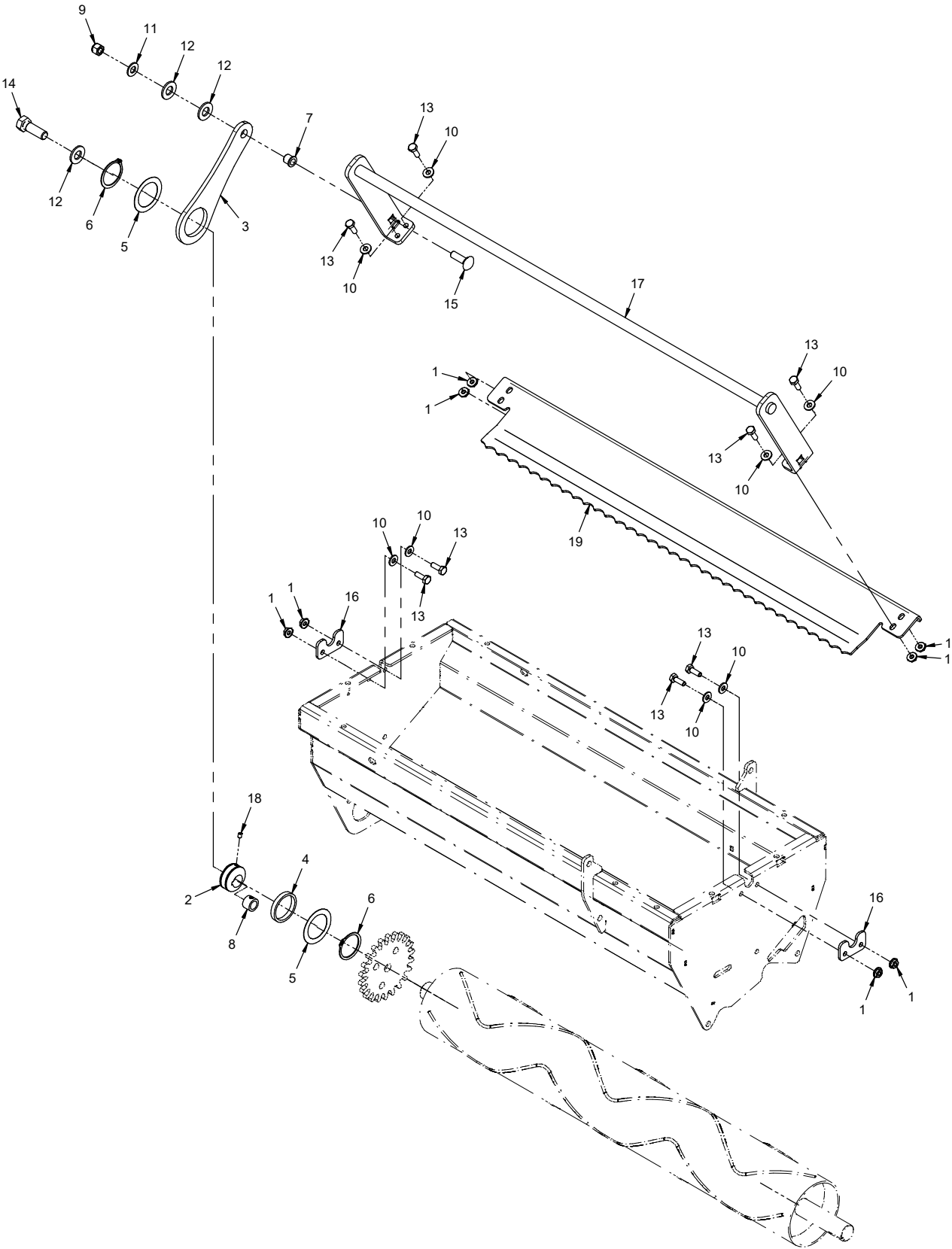
PARTS

Rotor & Rear Roller Seal

REF.	PART NO.	DESCRIPTION	QTY.
1	NA-6901	.Rotor, NA130 Spreader	1
2	NA-1905	.Shaft, Tube Seal	1
3	44.0396	.Seal, Bin Rear Tube	1
4	NA-1970	.Bracket, Lower Bin	1
5	55.FB16016-3	.Bearing, Flange Block 1" ZP	4
6	NA-1910	.Gear, NA Spreader Rotor	1
7	87.0238	.Gear, SA Spreader Seal	1
8	99.SF06-3	.Nut, SRF 3/8-16 USS Stainless	8
9	99.SF05-3	.Nut, SRF 5/16-18 USS Stainless	2
10	95.05-3	.Washer, Flat 5/16 SAE SS	2
11	95.06-3	.Washer, Flat 3/8 SAE SS	8
12	95.08-3	.Washer, Flat 1/2 SAE SS	1
13	90.0506-3	.Bolt, 5/16-18 USS x 3/4 SS	2
14	90.0610-3	.Bolt, 3/8-16 USS x 1-1/4 SS	8
15	90.0808-3	.Bolt, 1/2-13 USS x 1 SS	1
16	29.GF0002	.Grease Ftg, 1/4 SAE 90 (Serial # 01001-01960)	3
17	29.GF0001	.Grease Ftg, 1/4 SAE ST (Serial # 01001-01960)	1

PARTS

ILLUSTRATED DRAWING Gate Panel & Control Link



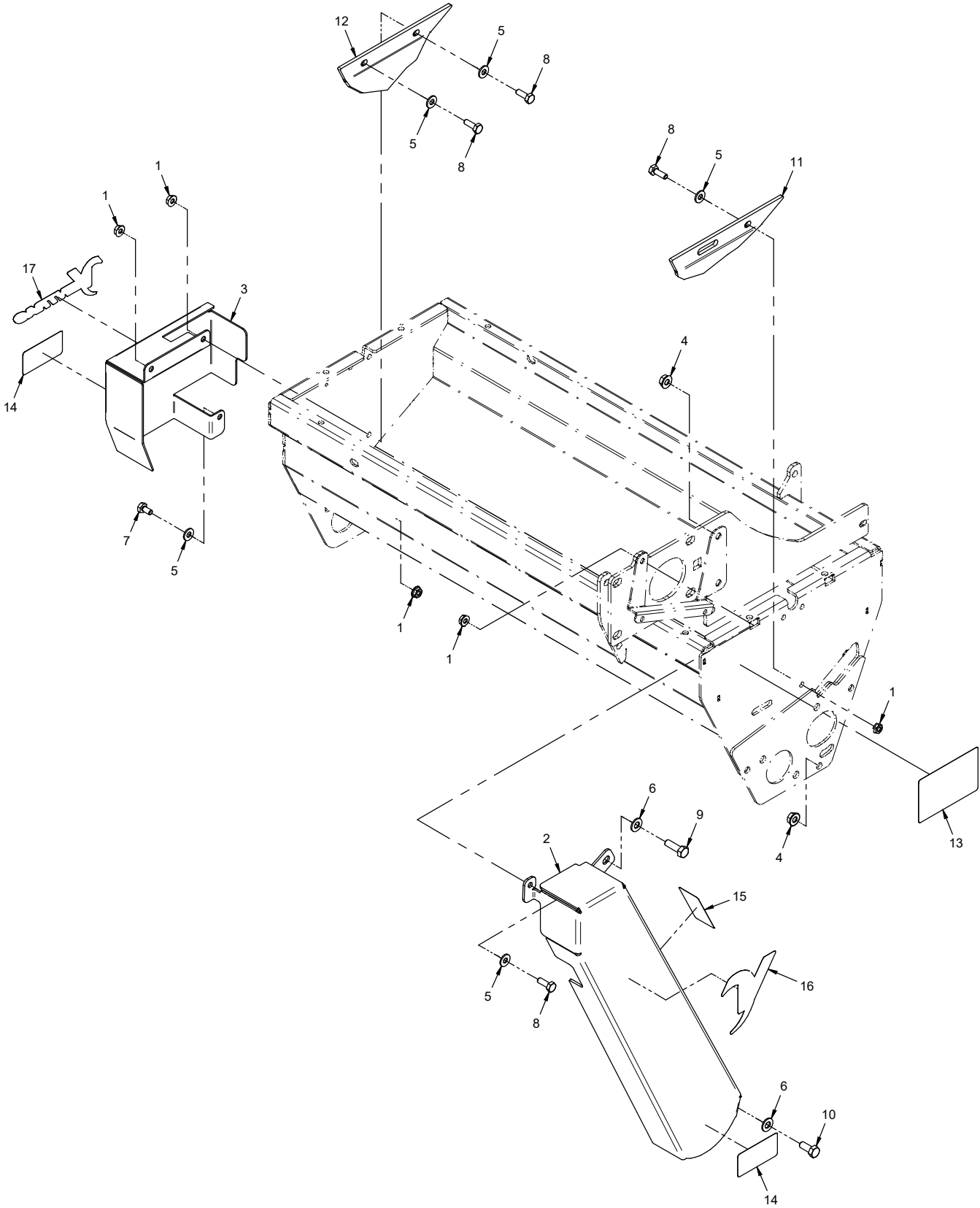
PARTS

Gate Panel & Control Link

REF.	PART NO.	DESCRIPTION	QTY.
1	99.SF04-3	.Nut, SRF 1/4-20 USS Stainless	8
2	42.0568	.Cam, Drive	1
3	NA-1978	.Link, Gate Control.	1
4	85.B0092	.Bushing, Bronze Sleeve	1
5	99.B0112	.Shim, 1.5ID x 2.13 OD .020T SS	2
6	04.0034	.Snap Ring, Ext 1.387 x .05 THK.	2
7	85.B0068	.Bushing, 3/8 X 1/2 OD X 1/2 LG.	1
8	NA-1988	.Bushing, .510 ID X .74OD	1
9	99.A06N-3	.Locknut, Nylon 3/8-16 SS.	1
10	95.04-3	.Washer, Flat 1/4 SAE SS	8
11	95.06-3	.Washer, Flat 3/8 SAE SS	1
12	95.08-3	.Washer, Flat 1/2 SAE SS	3
13	90.0406-3	.Bolt, 1/4-20 USS x 3/4 SS	8
14	90.0812-3	.Bolt, 1/2-13 USS x 1-1/2 SS.	1
15	97.0610-3	.Bolt, Carriage 3/8-16 x 1-1/4 SS.	1
16	NA-1975	.Bracket, Pivot	2
17	NA-6923	.Shaft, Slide	1
18	85.SS26	.Set Screw, 10-32 x 1/4 SS	1
19	NA-1915	.Panel, Gate.	1

PARTS

ILLUSTRATED DRAWING Drive Chain Guard, Rotor Gear Guard, & Rotor Caps



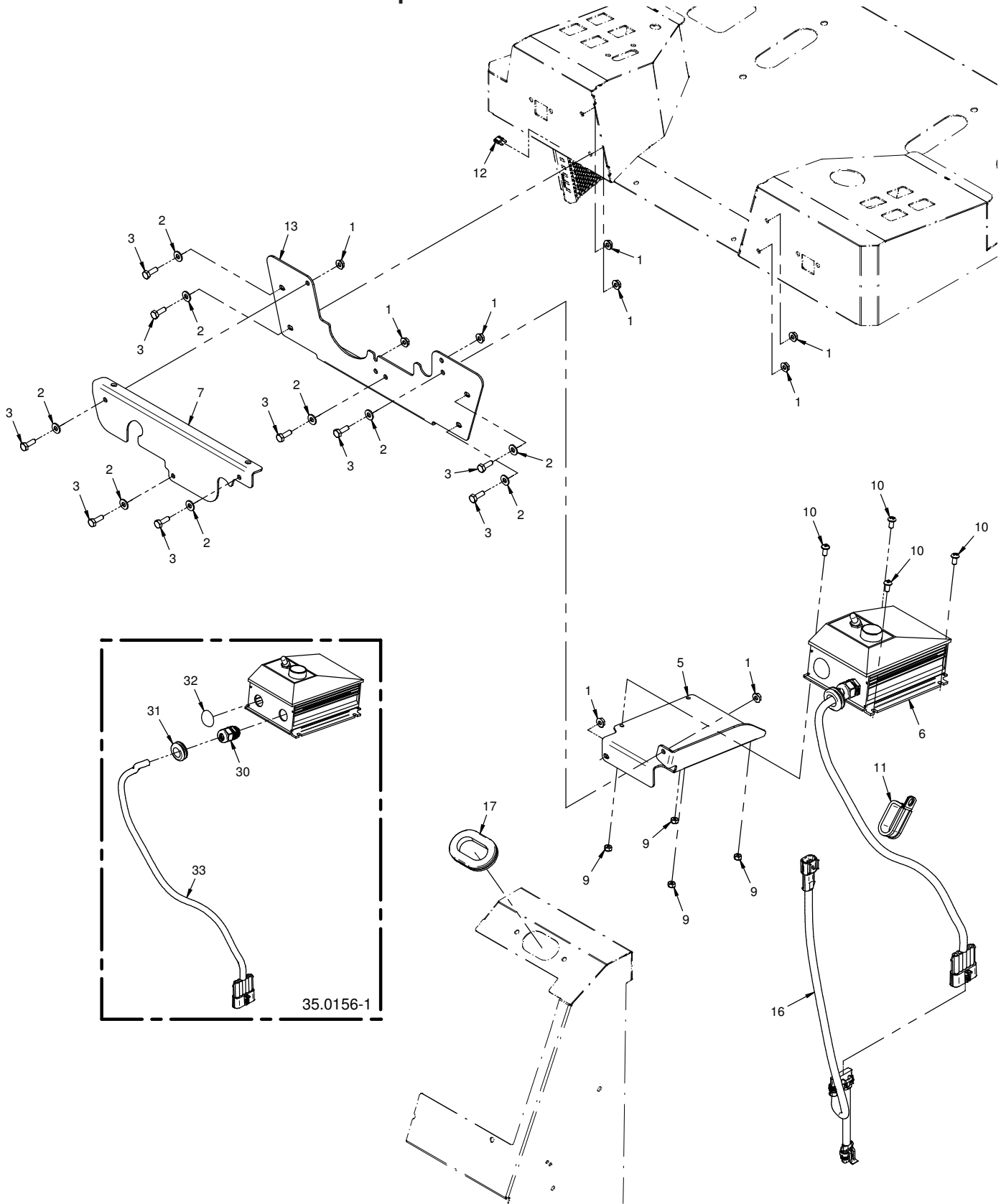
PARTS

Drive Chain Guard, Rotor Gear Guard, & Rotor Caps

REF.	PART NO.	DESCRIPTION	QTY.
1	99.SF04-3	.Nut, SRF 1/4-20 USS Stainless	5
2	NA-2019	.Guard, Chain	1
3	NA-2016	.Guard, Rotor Gear	1
4	99.SF05-3	.Nut, SRF 5/16-18 USS Stainless	2
5	95.04-3	.Washer, Flat 1/4 SAE SS	5
6	95.05-3	.Washer, Flat 5/16 SAE SS	2
7	90.0404-3	.Bolt, 1/4-20 USS x 1/2 SS	1
8	90.0406-3	.Bolt, 1/4-20 USS x 3/4 SS	4
9	90.0508-3	.Bolt, 5/16-18 USS x 1 SS	1
10	90.0506-3	.Bolt, 5/16-18 USS x 3/4 SS	1
11	NA-2010	.Bracket, Rotor Cap Left	1
12	NA-2011	.Bracket, Rotor Cap Right	1
13	00.0492	.Decal, Shield Missing (Serial # 01001 - 02094)	1
13	00.0625	.Decal, Shield Missing (Serial # 02095-)	1
14	00.0365	.Decal, Warning Moving Parts	2
15	00.0364	.Decal, Warning Pinch Point	1
16	00.0192	.Decal, V-Decal Die Cut Blue.	1
17	00.0382	.Decal, Ventrac	1

PARTS

ILLUSTRATED DRAWING Spreader Controller



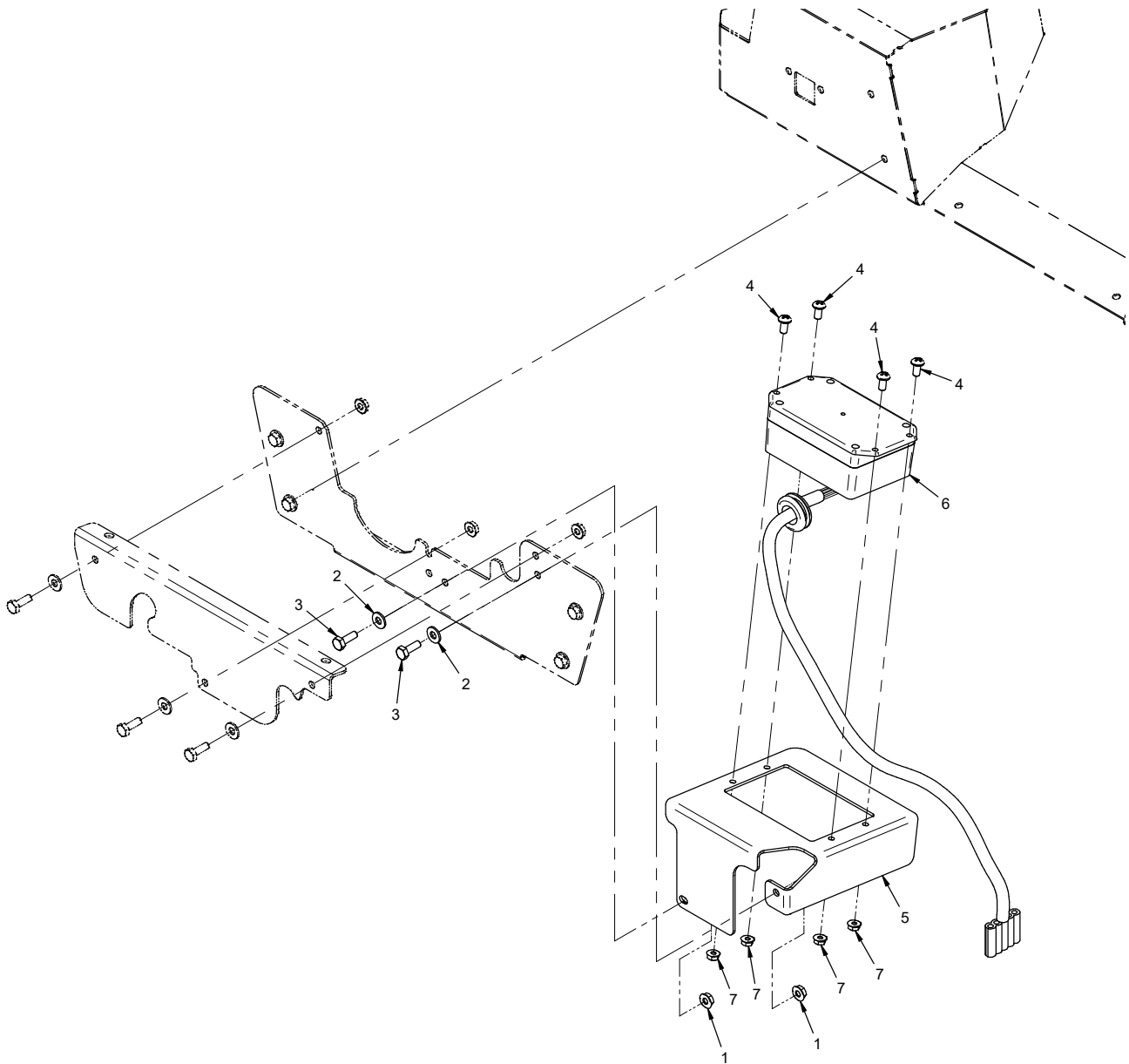
PARTS

Spreader Controller

REF.	PART NO.	DESCRIPTION	QTY.
1	99.SF04-3	.Nut, SRF 1/4-20 USS Stainless	10
2	95.04-3	.Washer, Flat 1/4 SAE SS	10
3	90.0406-3	.Bolt, 1/4-20 USS x 3/4 SS	9
5	NA-1931	.Mount, NA Controller Box	1
6	35.0156-1	.Asm, Controller 12V DC Drive	1
7	NT-1556	.Plate, Dash Front Cover	1
9	99.A1032N	.Locknut, Nylon 10-32 Stainless	4
10	99.K0165	.Machine Screw, #10-32 x 1/2 SS	4
11	11.0071	.Clamp, Cushioned Metal 3/4" 2-Tube	1
12	30.0333	.Fuse, 10 Amp Mini Red	1
13	NT-1555	.Plate, Front Dash Mount	1
16	32.0202	.Harness, Wire NA130 Drop Spreader	1
17	05.0071	.Grommet, 1-3/4ID x 2-3/4OD x 7/16T	1
30	47.0442	.Grip, Cord	1
31	05.0045	.Grommet, 3/4ID, 1 3/8OD, 1/2Thk	1
32	05.0179	.Plug, Hole Liquid Tight 1/2"	1
33	32.0195	.Harness, Wire NA130 Controller	1

PARTS

ILLUSTRATED DRAWING 70.6029 Drop Spreader Controller Kit



PARTS

70.6029 Drop Spreader Controller Kit

REF.	PART NO.	DESCRIPTION	QTY.
1	99.SF04-3	.Nut, SRF 1/4-20 USS Stainless	2
2	95.04-3	.Washer, Flat 1/4 SAE SS	2
3	90.0406-3	.Bolt, 1/4-20 USS x 3/4 SS	2
4	99.K0165	.Machine Screw, #10-32 x 1/2 SS	4
5	NA-1226	.Mount, Controller	1
6	35.0165	.Controller, 12V DC, Potted	1
7	99.E0125	.Nut, SRF #10-32 Stainless	4