

EC240

Sod Cutter





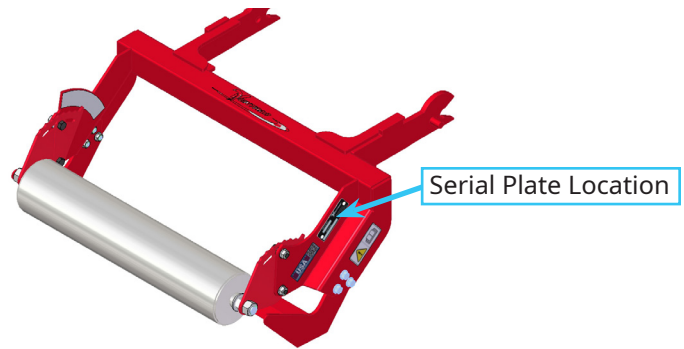
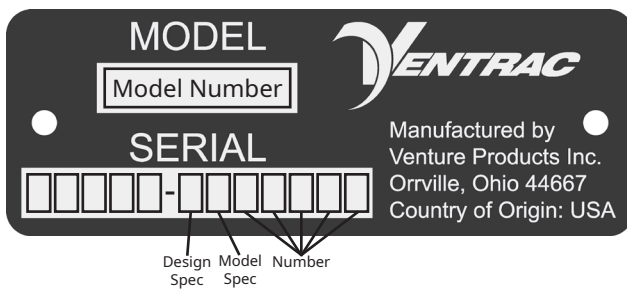
500 Venture Drive
Orrville Oh 44667
www.ventrac.com

View all manuals



Visit ventrac.com/manuals for the latest version of this parts manual. A downloadable operator's manual is also available.

Serial Number Description



Notes

- If any component requires replacement, use only original Ventrac replacement parts.
- When ordering new components, be sure to order all required safety decals. All current safety decals must be affixed to the replacement components prior to installation of the component.

TABLE OF CONTENTS

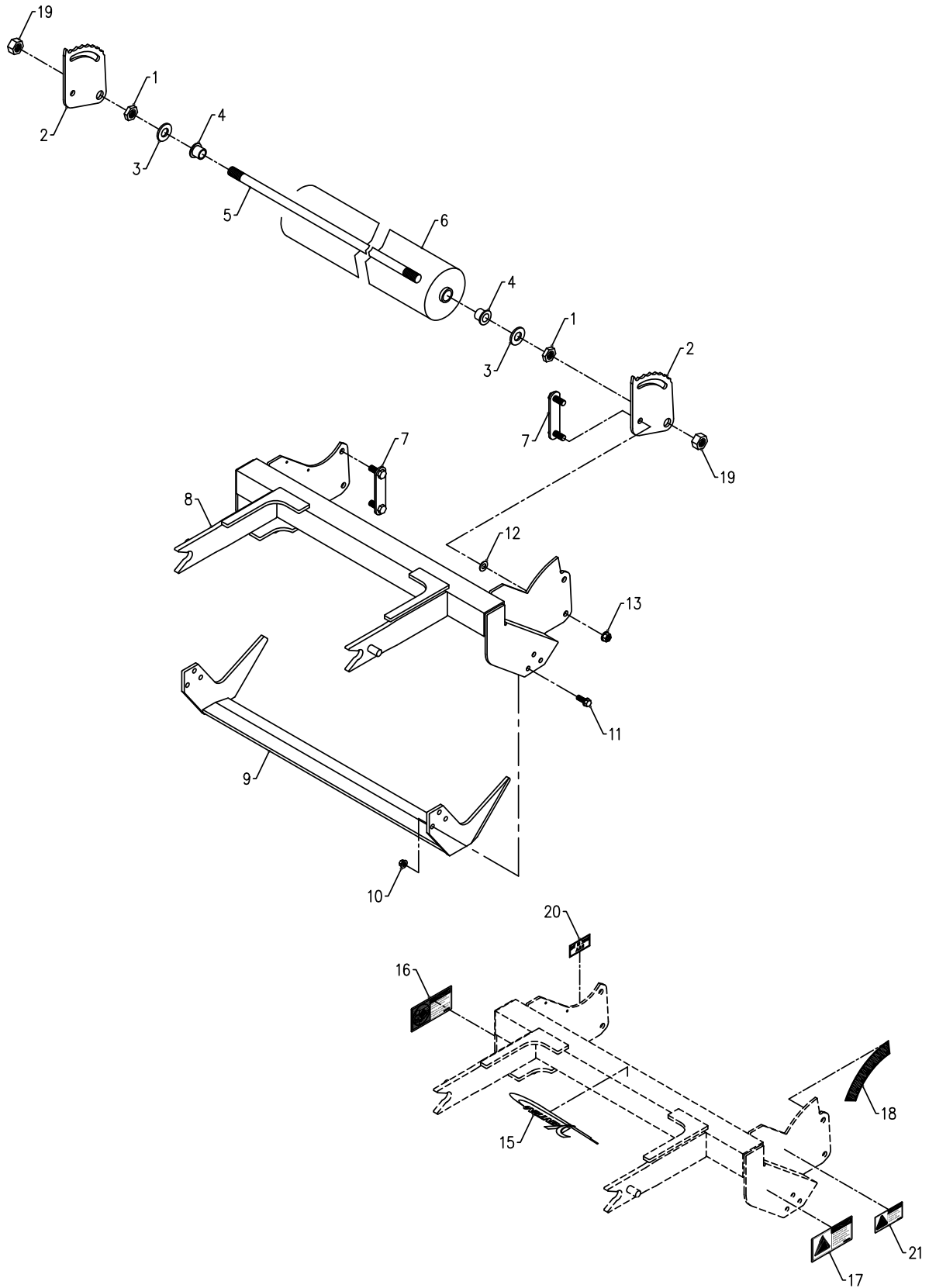
PARTS

PAGE 4

Main Frame, Blade, and Roller..... 4

PARTS

ILLUSTRATED DRAWING Main Frame, Blade, and Roller



PARTS

Main Frame, Blade, and Roller

REF.	PART NO.	DESCRIPTION	QTY.
1	99.E0076	Nut, Jam 5/8-11 USS	2
2	64.1189	Bracket, Roller Mount	2
3	95.10	Washer, Flat 5/8 SAE	2
4	85.B0118	Bushing, 5/8ID x 13/16OD x 5/8L	2
5	42.0473	Shaft, Roller Mount	1
6	80.0356	Roller, Sod Cutter	1
7	64.1190	Clamp, Depth Adjustment	2
8	62.1055	Frame, Main	1
9	79.0073	Blade, 24" Sod Blade	1
10	99.SF05	Nut, SRF 5/16-18 USS	6
11	99.SF0506	Bolt, SRF 5/16-18 USS x 3/4	6
12	94.06	Washer, Flat 3/8 USS	4
13	99.SF06	Nut, SRF 3/8-16 USS	4
15	00.0212	Decal, Ventrac Orbital	1
16	00.0217	Decal, Warning Read Owners Man (Serial # 1001-1922)	1
16	00.0619	Decal, Read Operator's Manual (Serial # 1923-)	1
17	00.0220	Decal, General Safety (Serial # 1001-1922)	1
17	00.0632	Decal, Moving Parts Hazard (Serial # 1923-)	1
18	00.0226	Decal, Height Adjustment	1
19	92.10	Nut, 5/8-11 USS	2
20	00.0100	Decal, Built in the USA	1
21	00.0218	Decal, Warning - Pinch Point (Serial # 1001-1922)	1
21	00.0364	Decal, Warning Pinch Point (Serial # 1923-)	1