

KV552

V-Blade





500 Venture Drive
Orrville Oh 44667
www.ventrac.com

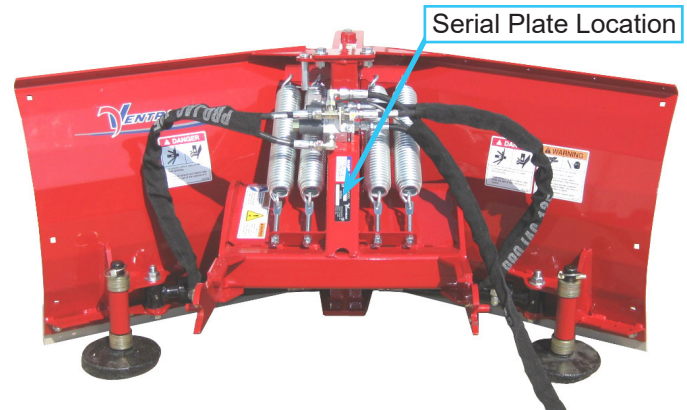
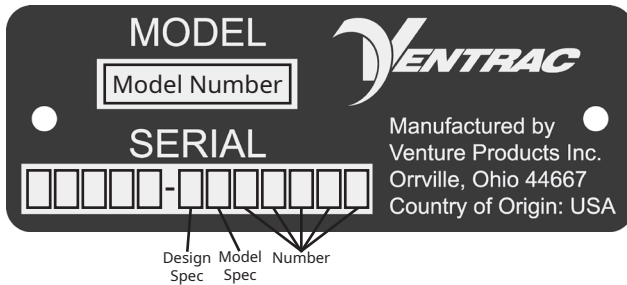
View all manuals



Visit ventrac.com/manuals for the latest version of this parts manual.

A downloadable operator's manual is also available.

Serial Number Description



Notes

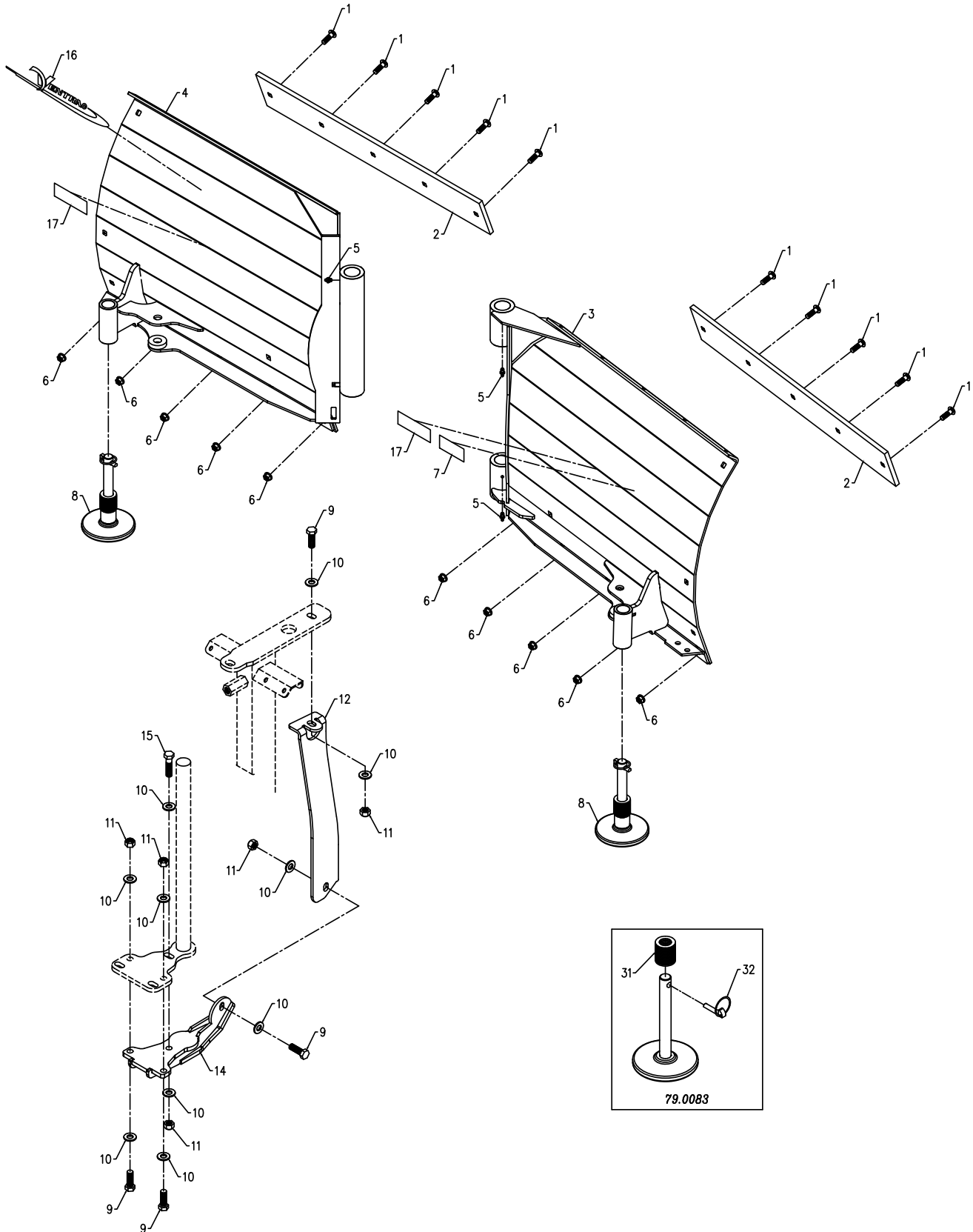
- If any component requires replacement, use only original Ventrac replacement parts.
- When ordering new components, be sure to order all required safety decals. All current safety decals must be affixed to the replacement components prior to installation of the component.

TABLE OF CONTENTS

| PARTS | PAGE 4 |
|---|---------------|
| Blade Wings, Cutting Edge, & Skid Shoes..... | 4 |
| Center Frame & Hitch Frame | 6 |
| Safety Trip Pivot & Springs | 8 |
| Hydraulic Cylinders, Hoses, & Solenoid Valve..... | 10 |
| 70.8044 Snow Containment Flap..... | 12 |
| 70.8048 Polyurethane Cutting Edge | 13 |
| 70.8045 6" Top Flare Extension | 14 |
| 70.8047 6" Straight Edge Extension | 15 |
| 70.8046 6" Extension with 6" Top Flare..... | 16 |

PARTS

ILLUSTRATED DRAWING Blade Wings, Cutting Edge, & Skid Shoes



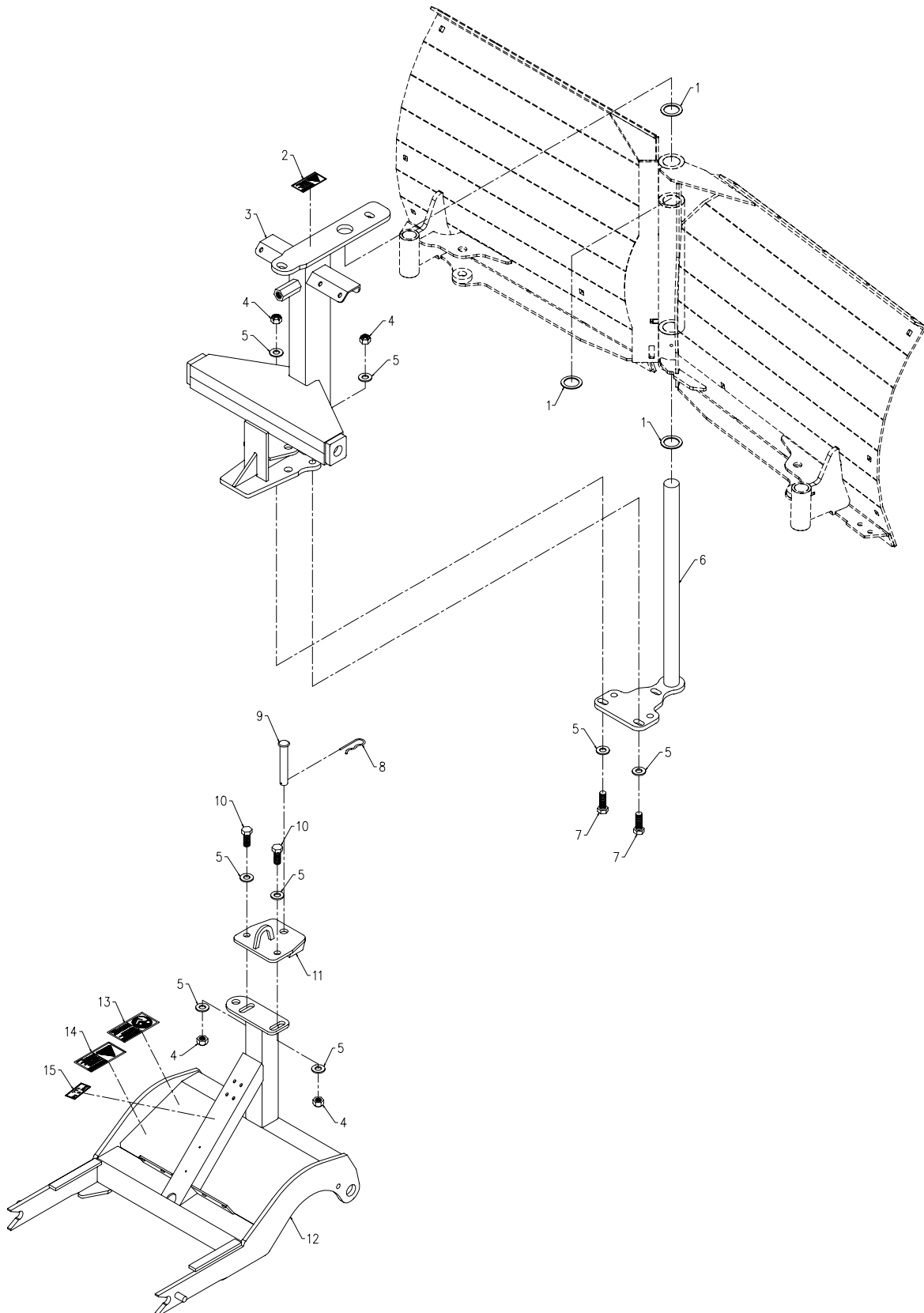
PARTS

Blade Wings, Cutting Edge, & Skid Shoes

| REF. | PART NO. | DESCRIPTION | QTY. |
|------|-----------|--|------|
| 1 | 97.0610 | .BOLT, CARRIAGE 3/8 X 1 1/4 | 10 |
| 2 | 78.0055 | .CUTTING EDGE, 3/8 X 4 X 26L | 2 |
| 3 | 62.1329 | .FRAME, WING RIGHT KV552 | 1 |
| 4 | 62.1330 | .FRAME, WING LEFT KV552 | 1 |
| 5 | 29.GF0001 | .GREASE FTG, 1/4 SAE ST | 3 |
| 6 | 99.SF06 | .NUT, SRF 3/8-16 USS | 10 |
| 7 | 00.0103 | .DECAL, HAZARD-HIGH PRESS.FLUID (Serial # 2001-5086) | 1 |
| 7 | 00.0621 | .DECAL, HIGH PRESSURE FLUID HAZARD (Serial # 5087-) | 1 |
| 8 | 79.0083 | .SHOE, SKID ROUND ASM | 2 |
| 9 | 90.0812 | .BOLT, 1/2-13 USS X 1 1/2 | 4 |
| 10 | 95.08 | .WASHER, FLAT 1/2 SAE | 10 |
| 11 | 99.A08 | .LOCKNUT, STOVER 1/2-13 USS | 5 |
| 12 | 64.1492 | .BRACE, CENTER SKID SHOE | 1 |
| 14 | 64.1486 | .SHOE, SKID CENTER RUNNER | 1 |
| 15 | 90.0816 | .BOLT, 1/2-13 USS X 2 | 1 |
| 16 | 00.0189 | .DECAL, VENTRAC ORBITAL | 1 |
| 17 | 00.0102 | .DECAL, DANGER-PINCHING HAZARD (Serial # 2001-5086) | 2 |
| 17 | 00.0620 | .DECAL, PINCHING OR CRUSHING HAZARD (Serial # 5087-) | 2 |
| 31 | 95.16 | .WASHER, FLAT 1 SAE | 19 |
| 32 | 03.0005 | .PIN, LYNCH | 1 |

PARTS

ILLUSTRATED DRAWING Center Frame & Hitch Frame



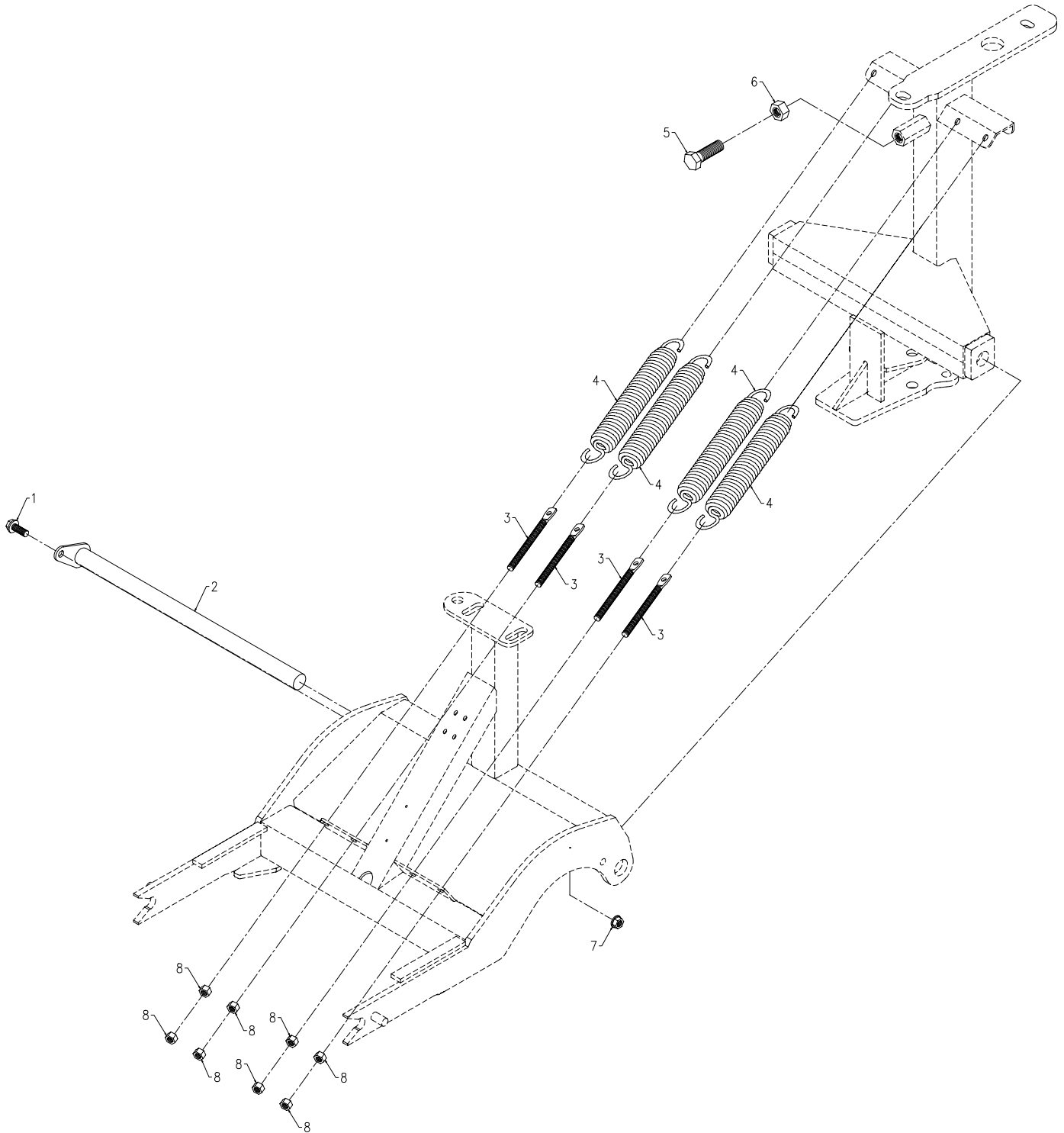
PARTS

Center Frame & Hitch Frame

| REF. | PART NO. | DESCRIPTION | QTY. |
|------|-----------|---|------|
| 1 | 99.B0078 | WASHER, MACH 1 1/4 14 GA. | 3 |
| 2 | 00.0218 | DECAL, WARNING PINCH POINT (Serial # 2001-5086) | 1 |
| 2 | 00.0364 | DECAL, WARNING PINCH POINT (Serial # 5087-) | 1 |
| 3 | 62.1252 | FRAME, CENTER SUBFRAME | 1 |
| 4 | 99.A08 | LOCKNUT, STOVER 1/2-13 USS | 4 |
| 5 | 95.08 | WASHER, FLAT 1/2 SAE | 8 |
| 6 | 80.0351 | SHAFT, CENTER HINGE KV | 1 |
| 7 | 90.0812 | BOLT, 1/2-13 USS X 1 1/2 | 2 |
| 8 | 02.HP0416 | HAIRPIN, 1/8 X 2 | 1 |
| 9 | 03.1020 | CLEVIS PIN, 5/8 X 2 1/2 | 1 |
| 10 | 90.0810 | BOLT, 1/2-13 USS X 1 1/4 | 2 |
| 11 | 64.1134 | PLATE, TRIP LOCK | 1 |
| 12 | 62.1024 | FRAME, HITCH KV550 | 1 |
| 13 | 00.0217 | DECAL, WARNING READ OWNERS MAN (Serial # 2001-5086) | 1 |
| 13 | 00.0619 | DECAL, READ OPERATOR'S MANUAL (Serial # 5087-) | 1 |
| 14 | 00.0220 | DECAL, GENERAL SAFETY (Serial # 2001-5086) | 1 |
| 14 | 00.0632 | DECAL, MOVING PARTS HAZARD (Serial # 5087-) | 1 |
| 15 | 00.0100 | DECAL, MADE IN USA | 1 |

PARTS

ILLUSTRATED DRAWING Safety Trip Pivot & Springs



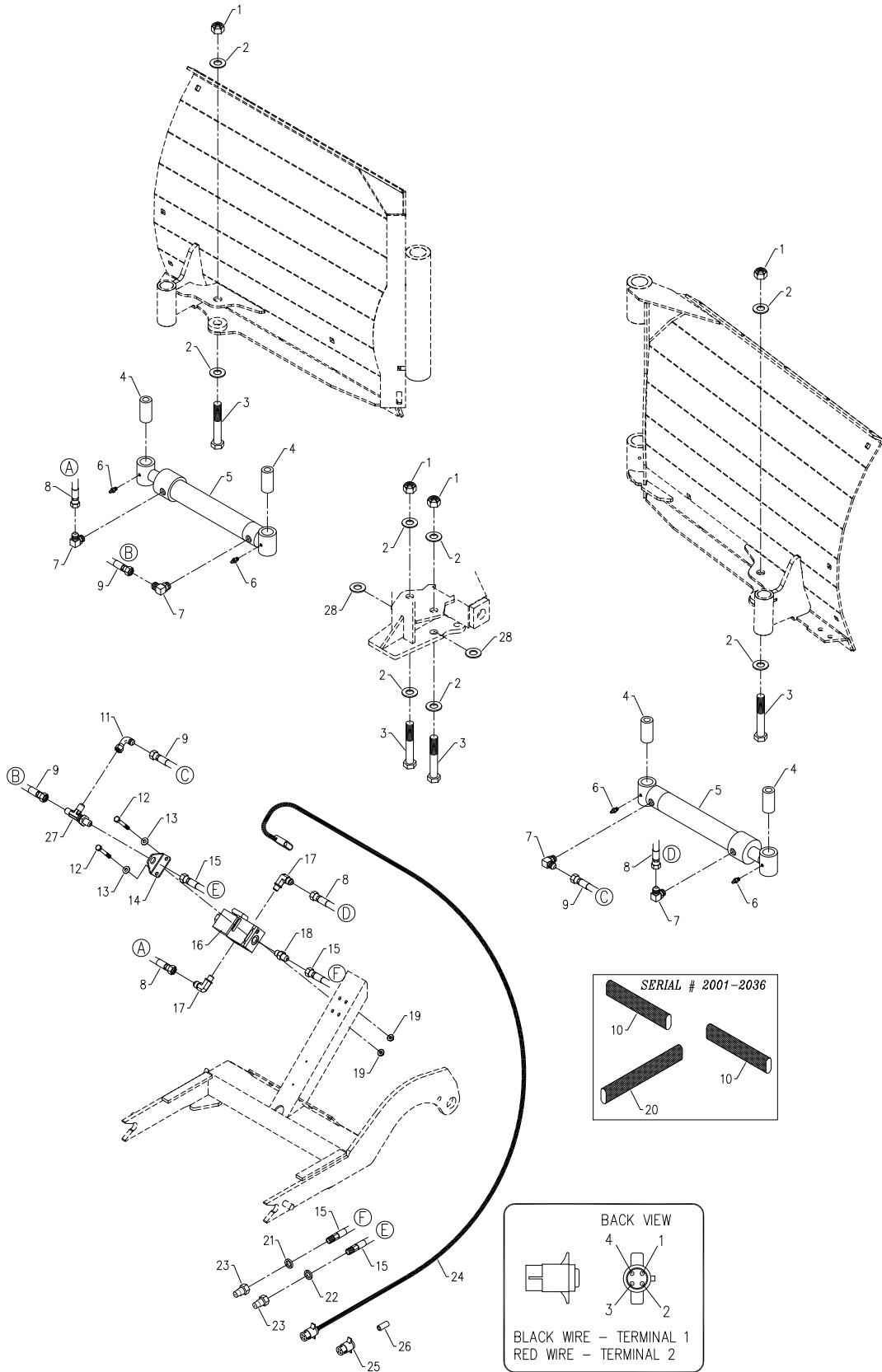
PARTS

Safety Trip Pivot & Springs

| REF. | PART NO. | DESCRIPTION | QTY. |
|------|-----------|---------------------------------|------|
| 1 | 99.SF0608 | .BOLT, SRF 3/8-16 USS X 1 | 1 |
| 2 | 80.0352 | .SHAFT, TRIP/PIVOT. | 1 |
| 3 | 99.K0094 | .BOLT, HANGER 3/8-16 X 4. | 4 |
| 4 | 41.0076 | .SPRING, EXT 2" OD X 12-3/8 LG. | 4 |
| 5 | 90.1020-2 | .BOLT, 5/8-11 USS X 2-1/2 TAP. | 1 |
| 6 | 99.E0076 | .NUT, JAM 5/8-11 USS. | 1 |
| 7 | 99.SF06 | .NUT, SRF 3/8-16 USS. | 1 |
| 8 | 92.06 | .NUT, 3/8-16 USS. | 8 |

PARTS

ILLUSTRATED DRAWING Hydraulic Cylinders, Hoses, & Solenoid Valve



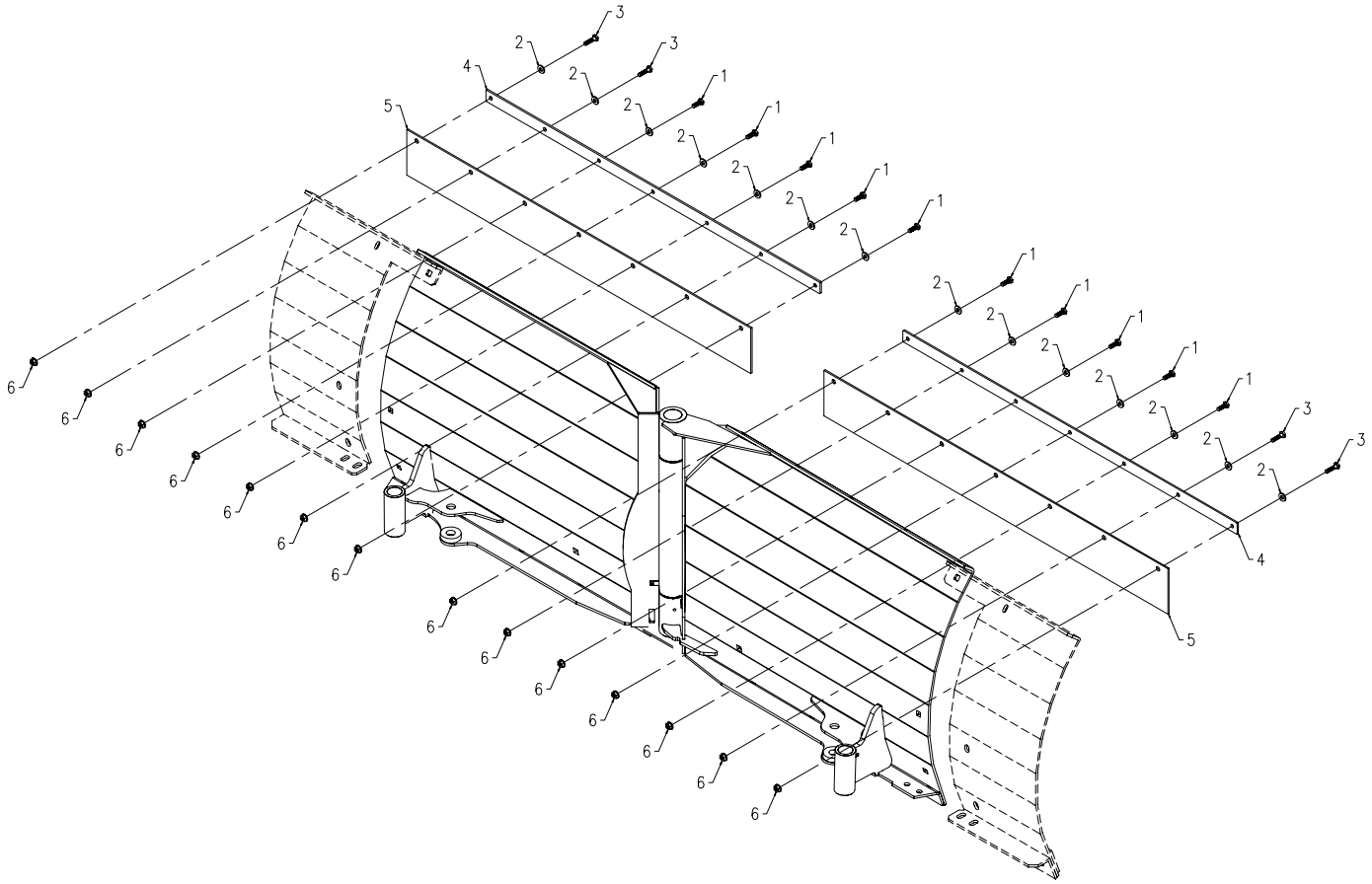
PARTS

Hydraulic Cylinders, Hoses, & Solenoid Valve

| REF. | PART NO. | DESCRIPTION | QTY. |
|------|-----------------|--|-------------|
| 1 | 99.A10 | .LOCKNUT, STOVER 5/8-11 USS | 4 |
| 2 | 95.10 | .WASHER, FLAT 5/8 SAE | 8 |
| 3 | 90.1032 | .BOLT, 5/8-11 USS X 4 | 4 |
| 4 | 64.1248 | .BUSHING, 21/32 X 1" X 2-1/16"L | 4 |
| 5 | 23.0137 | .CYLINDER, 1-1/2 X 8 X 1 ROD KV | 2 |
| 6 | 29.GF0001 | .GREASE FTG, 1/4 SAE ST | 4 |
| 7 | 25.6801-06-06 | .FITTING, 90 ME 3/8 X 3/8 | 4 |
| 8 | 20.0112 | .HOSE, 1/4X28.00 SAE 100R17AR | 2 |
| 9 | 20.0136 | .HOSE, 1/4X36.00 SAE 100R17 AR | 2 |
| 10 | 56.0060-24 | .SLEEVE, HOSE 1.25 X 24" (Serial # 2001-2036) | 2 |
| 11 | 25.6500-06-06 | .FITTING, 90 MFE 3/8 X 3/8 | 1 |
| 12 | 90.0416 | .BOLT, 1/4-20 USS X 2 | 2 |
| 13 | 95.04 | .WASHER, FLAT 1/4 SAE | 2 |
| 14 | 64.1136 | .BRACKET, HYD BULKHEAD FITTING | 1 |
| 15 | 20.0209 | .HOSE, 1/4X45.00 SAE 100R17 AR | 2 |
| 16 | 23.0136-1 | .VALVE, DIRECTIONAL CONTROL 12V (Serial # 2001-3180) | 1 |
| 16 | 23.0164 | .VALVE, DIRECTIONAL CONTROL 12V (Serial # 3181-) | 1 |
| 17 | 25.6801-06-04 | .FITTING, 90 ME 3/8 X 1/4 (Serial # 2001-3180) | 2 |
| 17 | 25.6801-06-06 | .FITTING, 90 ME 3/8 X 3/8 (Serial # 3181-) | 2 |
| 18 | 25.6400-06-04 | .FITTING, M CONN 3/8 X 1/4 (Serial # 2001-3180) | 1 |
| 18 | 25.6400-06-06 | .FITTING, M CONN 3/8 X 3/8 (Serial # 3181-) | 1 |
| 19 | 99.SF04 | .NUT, SRF 1/4-20 USS | 2 |
| 20 | 56.0060-36 | .SLEEVE, HOSE 1.25 X 36" (Serial # 2001-2036) | 1 |
| 21 | 05.0117 | .WASHER, .544ID X .817 X.14 YEL | 1 |
| 22 | 05.0116 | .WASHER, .544ID X .817 X.14 RED | 1 |
| 23 | 23.0104 | .COUPLER, HYD. QUICK MALE 1/4 | 2 |
| 24 | 34.1400-1011 | .WIRE, 14 GA CORD X 60" (Serial # 2001-3180) | 1 |
| 24 | 32.0171 | .HARNES, 12V SELECTOR (Serial # 3181-) | 1 |
| 25 | 30.0218 | .PLUG, TRAILER 4-PIN MALE | 1 |
| 26 | 27.A04-11N | .HOSE, NEOP BLACK 1/4 X 7/16 X 1" (Serial # 2001-3180) | 1 |
| 27 | 25.2704-6-6-6LN | .FITTING, BULKHEAD T 3/8 W/LNUT | 1 |
| 28 | 95.10 | .WASHER, FLAT 5/8 SAE | as required |

PARTS

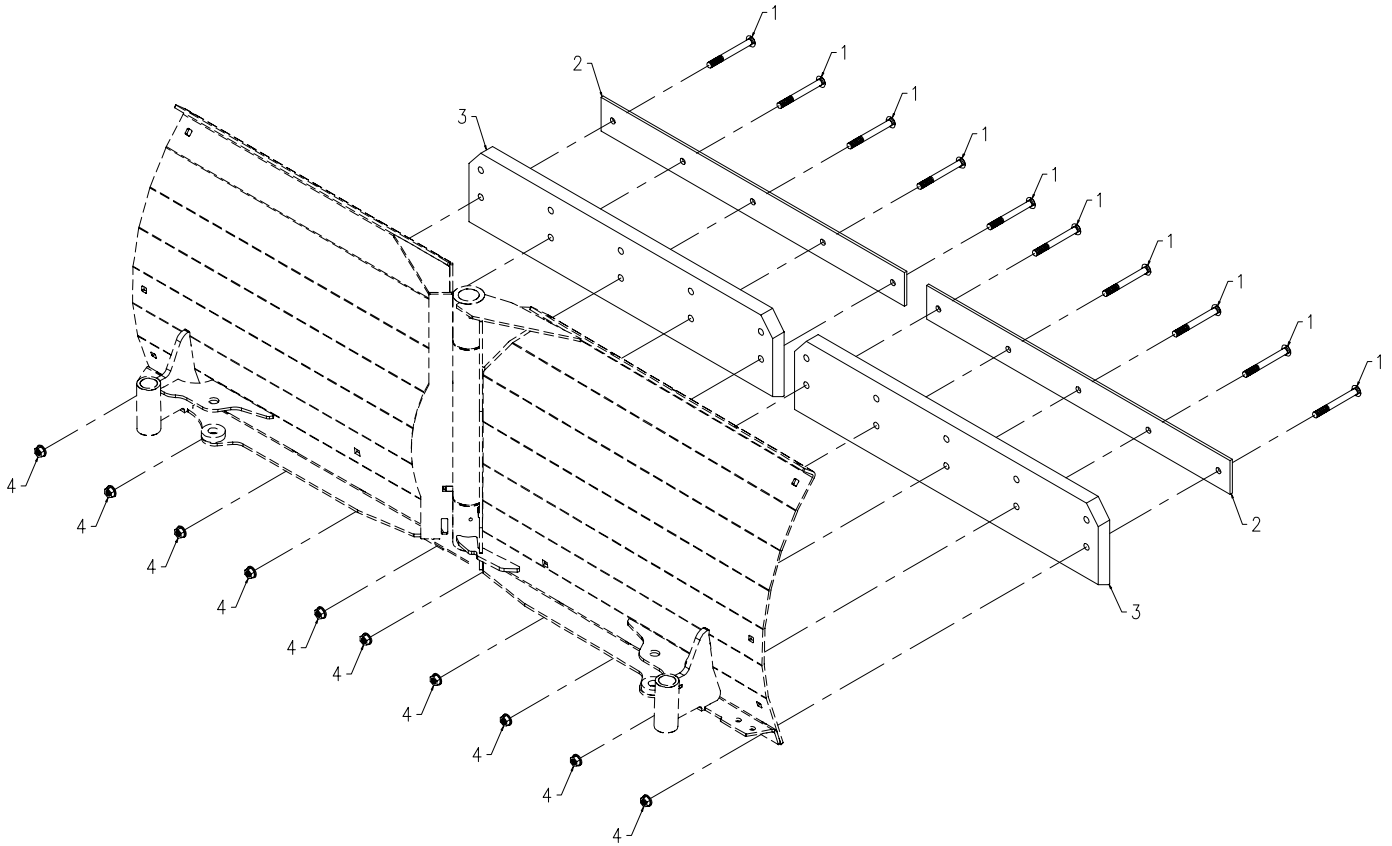
ILLUSTRATED DRAWING 70.8044 Snow Containment Flap



| REF. | PART NO. | DESCRIPTION | QTY. |
|------|----------|--------------------------|------|
| 1 | 90.0406 | BOLT, 1/4-20 USS X 3/4 | 10 |
| 2 | 95.04 | WASHER, FLAT 1/4 SAE | 14 |
| 3 | 90.0408 | BOLT, 1/4-20 USS X 1 | 4 |
| 4 | 64.1143 | CLAMP, BELTING 34 X 1 | 2 |
| 5 | 44.0216 | BELTING, SNOW DEFLECTION | 2 |
| 6 | 99.SF06 | NUT, SRF 3/8-16 USS | 14 |

PARTS

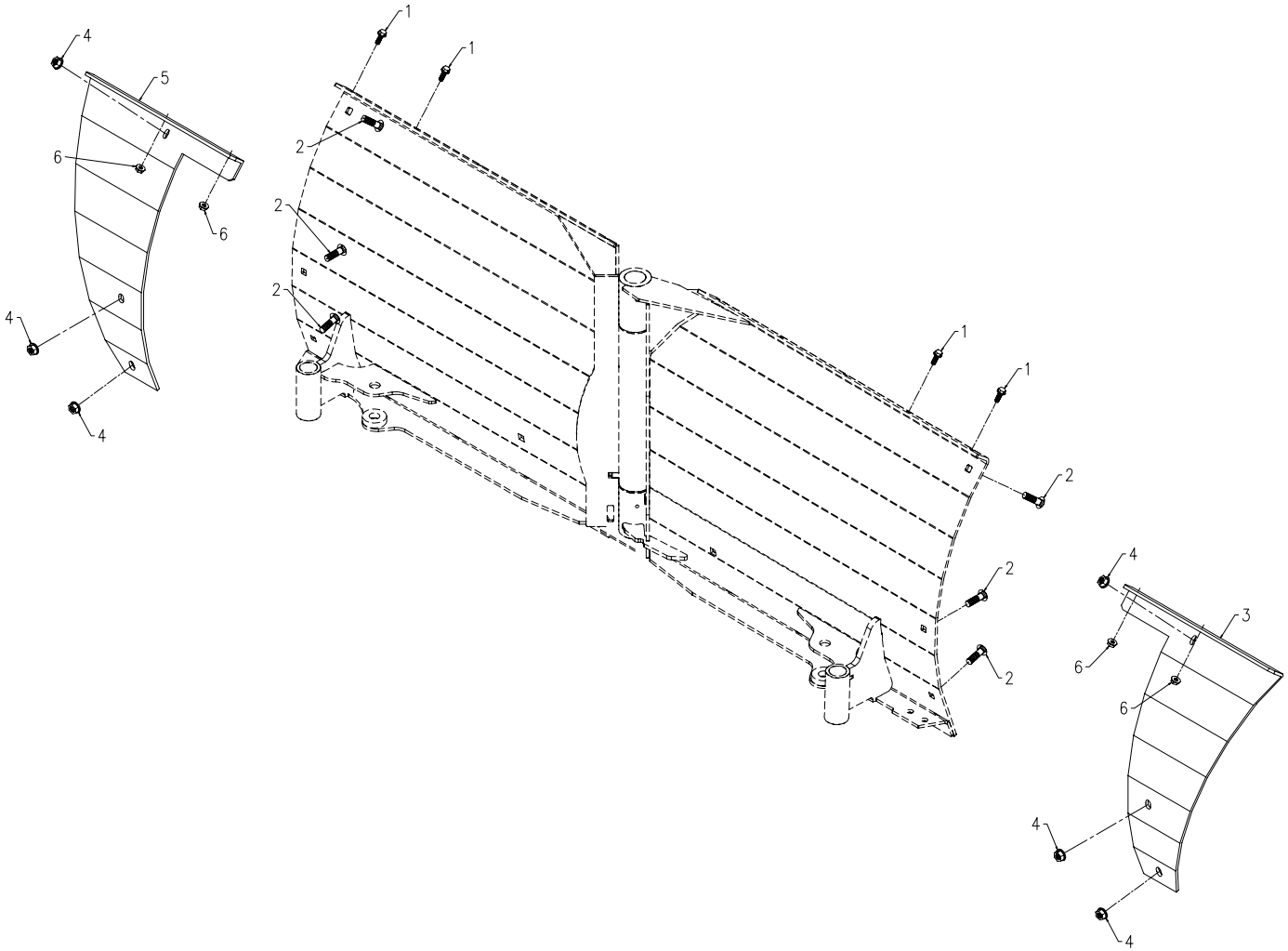
ILLUSTRATED DRAWING 70.8048 Polyurethane Cutting Edge



| REF. | PART NO. | DESCRIPTION | QTY. |
|------|----------|--------------------------------|------|
| 1 | 97.0616 | BOLT, CARRIAGE 3/8 X 2 | 10 |
| 2 | 64.1144 | CLAMP, POLY BACKER 26L | 2 |
| 3 | 44.0217 | CUTTING EDGE, POLY 1 X 6 X 26L | 2 |
| 4 | 99.SF06 | NUT, SRF 3/8-16 USS | 10 |

PARTS

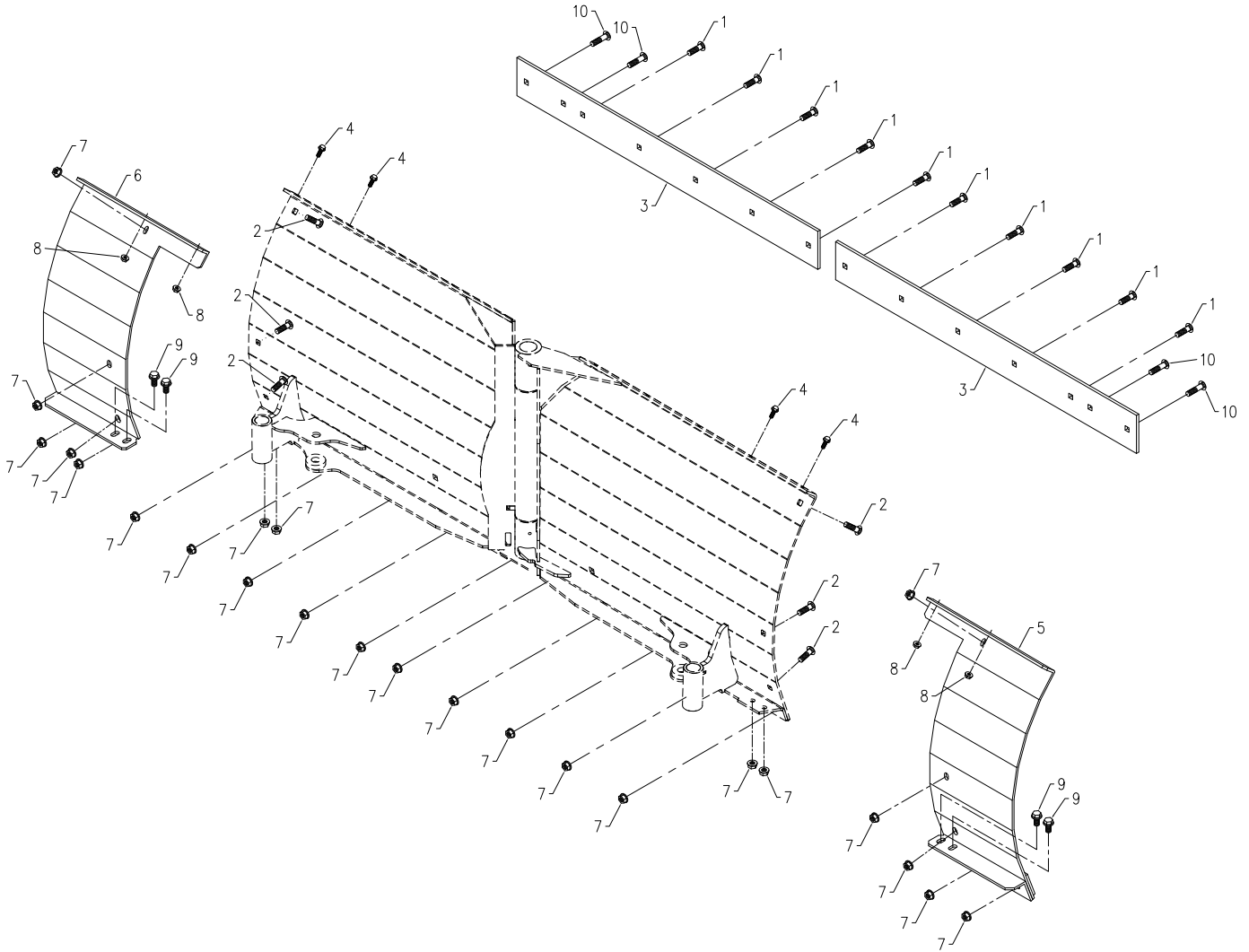
ILLUSTRATED DRAWING 70.8045 6" Top Flare Extension



| REF. | PART NO. | DESCRIPTION | QTY. |
|------|-----------|-------------------------|------|
| 1 | 99.SF0406 | .BOLT, SRF 1/4-20 X 3/4 | 4 |
| 2 | 97.0608 | .BOLT, CARRIAGE 3/8 X 1 | 6 |
| 3 | 60.0889 | .EXTENSION, FLARE RH | 1 |
| 4 | 99.SF06 | .NUT, SRF 3/8-16 USS | 6 |
| 5 | 60.0890 | .EXTENSION, FLARE LH | 1 |
| 6 | 99.SF04 | .NUT, SRF 1/4-20 USS | 4 |

PARTS

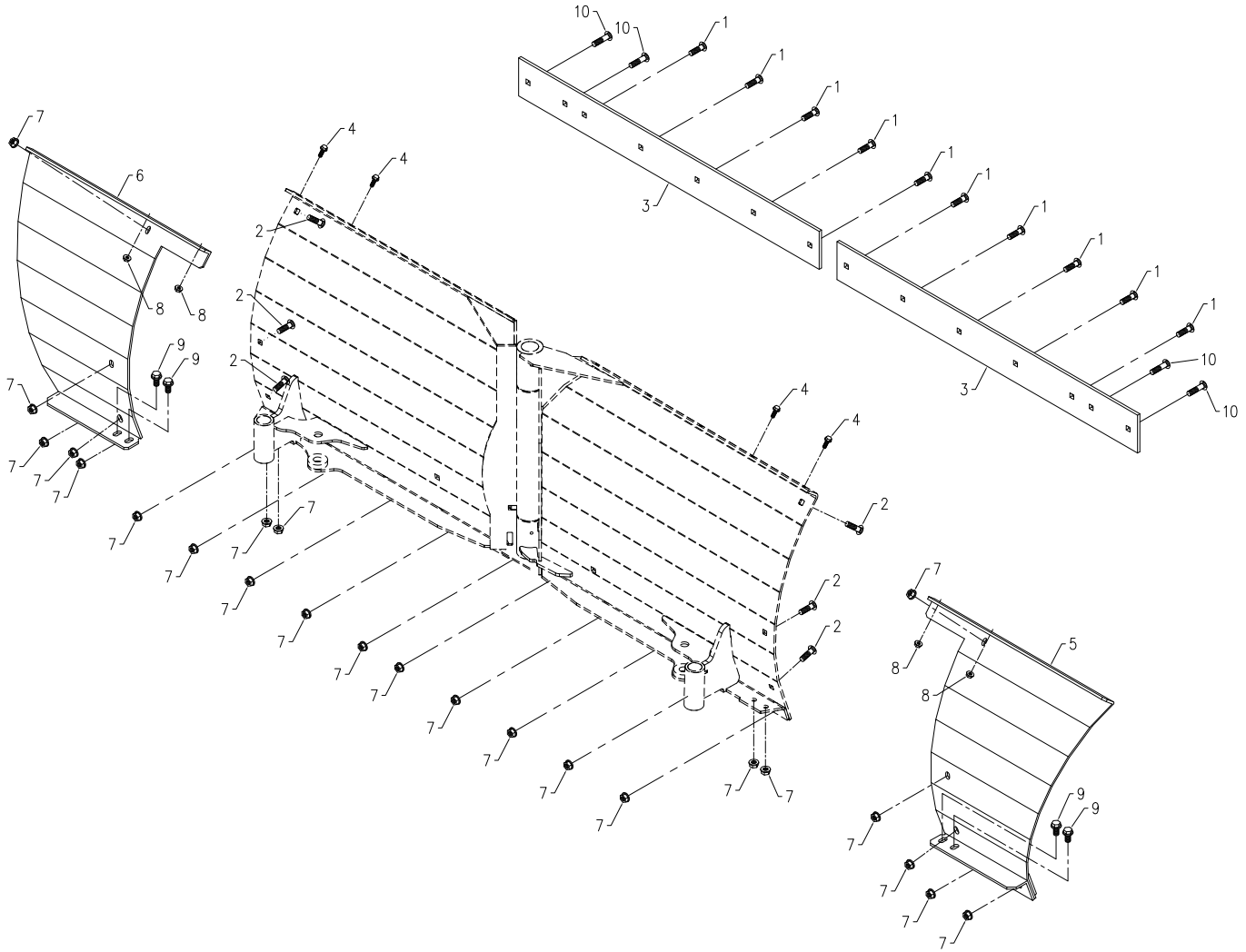
ILLUSTRATED DRAWING 70.8047 6" Straight Edge Extension



| REF. | PART NO. | DESCRIPTION | QTY. |
|------|-----------|----------------------------------|------|
| 1 | 97.0610 | .BOLT, CARRIAGE 3/8 X 1 1/4 | 10 |
| 2 | 97.0608 | .BOLT, CARRIAGE 3/8 X 1 | 6 |
| 3 | 78.0056 | .CUTTING EDGE, 32" THRU HARD. | 2 |
| 4 | 99.SF0406 | .BOLT, SRF 1/4-20 X 3/4 | 4 |
| 5 | 62.1028 | .FRAME, 6" STRAIGHT WING EXT RH. | 1 |
| 6 | 62.1029 | .FRAME, 6" STRAIGHT WING EXT LH. | 1 |
| 7 | 99.SF06 | .NUT, SRF 3/8-16 USS. | 24 |
| 8 | 99.SF04 | .NUT, SRF 1/4-20 USS. | 4 |
| 9 | 99.SF0606 | .BOLT, SRF 3/8-16 USS X 3/4. | 4 |
| 10 | 97.0612 | .BOLT, CARRIAGE 3/8 X 1 1/2 | 4 |

PARTS

ILLUSTRATED DRAWING 70.8046 6" Extension with 6" Top Flare



| REF. | PART NO. | DESCRIPTION | QTY. |
|------|-----------|-------------------------------|------|
| 1 | 97.0610 | .BOLT, CARRIAGE 3/8 X 1 1/4 | 10 |
| 2 | 97.0608 | .BOLT, CARRIAGE 3/8 X 1 | 6 |
| 3 | 78.0056 | .CUTTING EDGE, 32" THRU HARD. | 2 |
| 4 | 99.SF0406 | .BOLT, SRF 1/4-20 X 3/4 | 4 |
| 5 | 62.1030 | .FRAME, 6" FLARE WING EXT RH | 1 |
| 6 | 62.1031 | .FRAME, 6" FLARE WING EXT LH. | 1 |
| 7 | 99.SF06 | .NUT, SRF 3/8-16 USS. | 24 |
| 8 | 99.SF04 | .NUT, SRF 1/4-20 USS. | 4 |
| 9 | 99.SF0606 | .BOLT, SRF 3/8-16 USS X 3/4 | 4 |
| 10 | 97.0612 | .BOLT, CARRIAGE 3/8 X 1 1/2 | 4 |