

Parts Manual

MJ840

Contour Mower

Europe C€ - Serial Number MJ840-BA1171 --

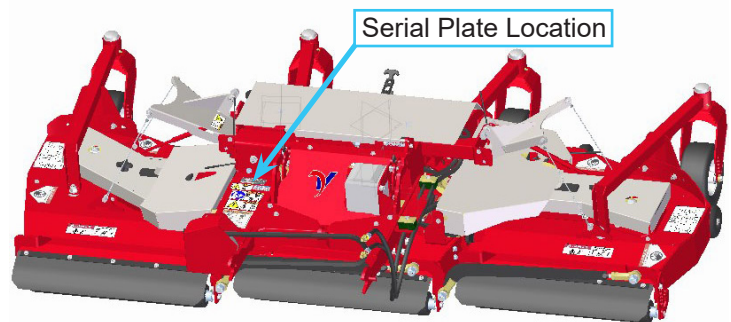


Revised 05/29/26
09.20035 Rev. 10



500 Venture Drive
Orrville Oh 44667
www.ventrac.com

Serial Number Description



Notes

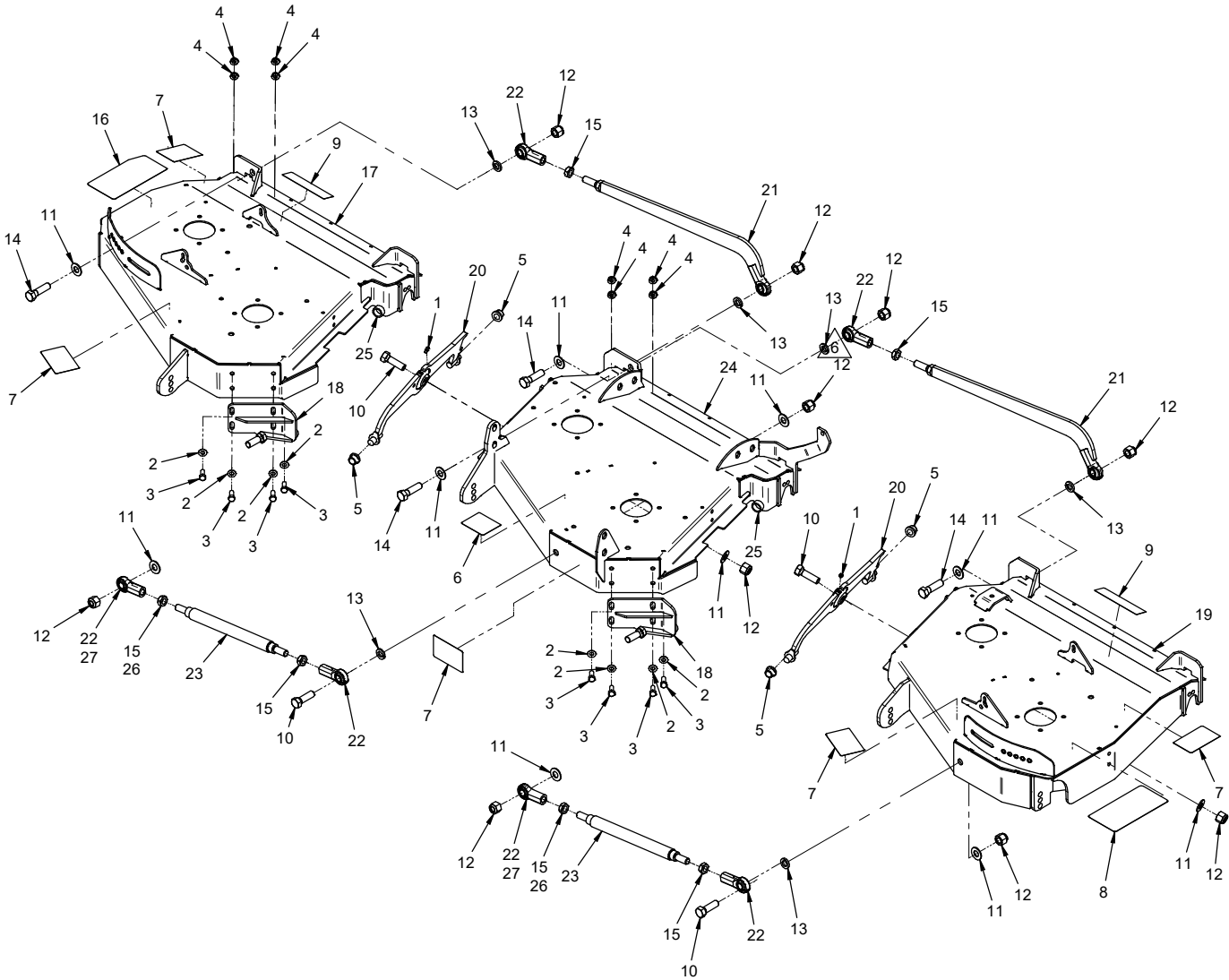
- If any component requires replacement, use only original Ventrac replacement parts.
- When ordering new components, be sure to order all required safety decals. All current safety decals must be affixed to the replacement components prior to installation of the component.

TABLE OF CONTENTS

PARTS	PAGE 4
Decks & Connector Links.....	4
Carrier Frame.....	6
Hitch Arms.....	8
Drive Shaft & Gearbox.....	10
Deck Belts (Serial # 1001-1447).....	12
Deck Belts (Serial # 1448-).....	14
Spindles.....	16
Deck Shields.....	18
Carrier Shields.....	20
Front Anti-Scalp Rollers.....	22
Rear Rollers (Serial # 1001-6751).....	24
Rear Rollers (Serial # 6752-).....	26
Discharge Deflectors & Rear Belting.....	28
Deck Wing Lift Arms.....	30
Deck Wing Lift Arm Hydraulics.....	32
70.8239 MJ Roller Scraper Kit (Serial # 1001-6751).....	34

PARTS

ILLUSTRATED DRAWING Decks & Connector Links



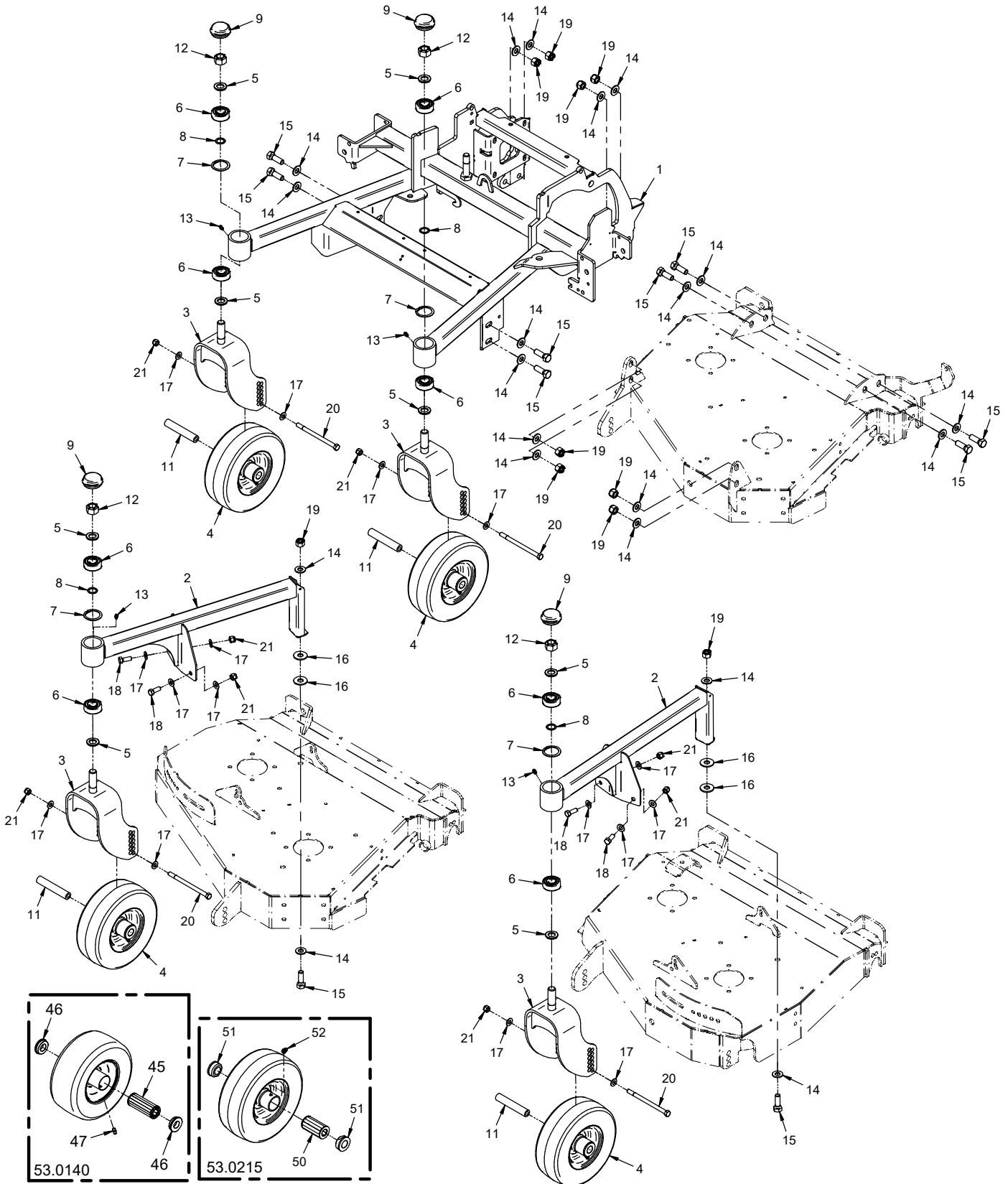
PARTS

Decks & Connector Links

REF.	PART NO.	DESCRIPTION	QTY.
1	29.GF0001	.GREASE FTG, 1/4 SAE ST	2
2	95.06	.WASHER, FLAT 3/8 SAE	8
3	90.0608	.BOLT, 3/8-16 USS X 1	8
4	99.SF06	.NUT, SRF 3/8-16 USS	8
5	85.B0065	.BUSHING, 5/8 ID X 13/16 OD X 5/8L (SUPERSEDED BY 85.B0118)	4
5	85.B0118	.BUSHING, 5/8 ID X 13/16 OD X 5/8 L	4
6	00.0062	.DECAL, DANGER SHIELD MISSING (SERIAL # 1001-4163)	1
6	00.0625	.DECAL, SHIELD MISSING (SERIAL # 4164-)	1
7	00.0123	.DECAL, KEEP HANDS AND FEET AWAY (SERIAL # 1001-4163)	5
7	00.0628	.DECAL, CUTTING HAZARD MOWER BLADE (SERIAL # 4164-)	5
8	00.0262	.DECAL, HEIGHT ADJUST, LEFT	1
9	00.0265	.DECAL, THROWN OBJECT HAZARD (SERIAL # 1001-4163)	2
9	00.0633	.DECAL, THROWN OBJECT HAZARD (SERIAL # 4164-)	2
10	91.1016	.BOLT, 5/8-18 SAE X 2 (SERIAL # 1001-4211)	8
10	91.1016	.BOLT, 5/8-18 SAE X 2 (SERIAL # 4212-)	4
11	95.10	.WASHER, FLAT 5/8 SAE (SERIAL # 1001-4211)	16
11	95.10	.WASHER, FLAT 5/8 SAE (SERIAL # 4212-)	10
12	99.A10NFN	.LOCKNUT, NYLON 5/8-18 SAE ZP	10
13	96.10	.WASHER, LOCK 5/8 (SERIAL # 4212-)	6
14	91.1018	.BOLT, HEX 5/8-18 UNF X 2-1/4 (SERIAL # 4212-)	4
15	99.E0011	.NUT, JAM 5/8-18 SAE (SERIAL # 1001-7071)	6
15	99.E0011	.NUT, JAM 5/8-18 SAE (SERIAL # 7072-)	4
16	00.0260	.DECAL, HEIGHT ADJUST, RIGHT	1
17	62.1295	.DECK, MOWER WELDMENT RIGHT (SUPERSEDED BY 62.1494)	1
17	62.1494	.DECK, MOWER WELDMENT RIGHT	1
18	64.1401	.PLATE, FRONT YOKE ANCHOR	2
19	62.1294	.DECK, MOWER WELDMENT LEFT (SUPERSEDED BY 62.1493)	1
19	62.1493	.DECK, MOWER WELDMENT LEFT	1
20	70.8172	.KIT, MJ840 PIVOT YOKE FRAME	2
21	42.0535	.LINK, DECK CONNECT REAR	2
22	43.010	.ROD END, 5/8 SPHERICAL (SERIAL # 1001-7071)	6
22	43.010	.ROD END, 5/8 SPHERICAL (SERIAL # 7072-)	4
23	42.0534	.LINK, DECK CONNECT FRONT (SERIAL # 1001-7071)	2
23	42.0611	.LINK ASM., DECK CONNECT FRONT, RH/LH (SERIAL # 7072-)	2
24	62.1293	.DECK, MOWER WELDMENT CENTER (SUPERSEDED BY 62.1492)	1
24	62.1492	.DECK, MOWER WELDMENT CENTER	1
25	MJ-152	.BUSHING, PIVOT BUSHING	2
26	99.E0090	.NUT, JAM 5/8-18 UNF LH (SERIAL # 7072-)	2
27	43.010L	.ROD END, 5/8 SPHERICAL (LH) (SERIAL # 7072-)	2

PARTS

ILLUSTRATED DRAWING Carrier Frame



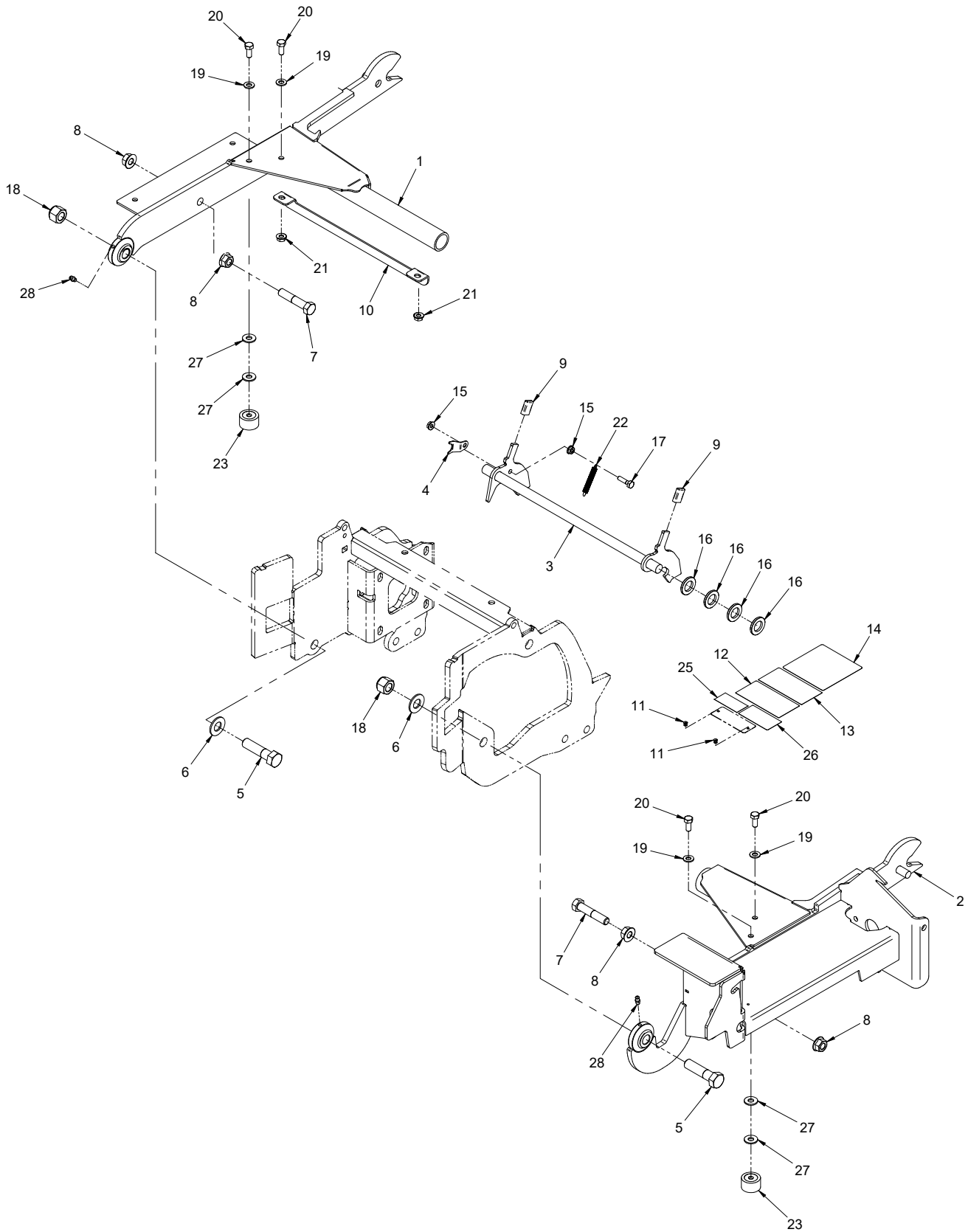
PARTS

Carrier Frame

REF.	PART NO.	DESCRIPTION	QTY.
1	62.1298	.FRAME, CARRIER MAIN - MJ840 (Serial # 1001-1803).	1
1	62.1424	.FRAME, CARRIER MAIN - MJ840 (Serial # 1804-).	1
2	62.1299	.FRAME, TIRE SWIVEL MJ	2
3	50.0187	.SPINDLE, TIRE SWIVEL MJ	4
4	53.0140	.WHEEL, ASM 9 X 3.5 X 4 FLATFREE (Serial # 1001-4355)	4
4	53.0215	.WHEEL, ASM 9 X 3.5 X 4 FLATFREE (Serial # 4356-)	4
5	99.B0057-2	.WASHER, MACH 3/4 X 1-1/4 10 GA ZP	8
6	55.0023	.BEARING, BALL .75 ID X 1.78 OD	8
7	04.0013	.SNAP RING, INT .068 X 1.75	4
8	99.B0052	.SHIM, STEEL 3/4 X 1 X .062	4
9	53.0080	.DUST CAP, BEARING MOWER CASTER	4
11	50.0055	.TUBE, AXLE-WHEEL LM	4
12	99.A12NF	.LOCKNUT, STOVER 3/4-16 SAE	4
13	29.GF0001	.GREASE FTG, 1/4 SAE ST	4
14	95.08	.WASHER, FLAT 1/2 SAE	20
15	90.0812	.BOLT, 1/2-13 USS X 1 1/2	10
16	94.08	.WASHER, FLAT 1/2 USS	4
17	95.06	.WASHER, FLAT 3/8 SAE	16
18	90.0608	.BOLT, 3/8-16 USS X 1	4
19	99.A08N	.LOCKNUT, NYLON 1/2-13 USS	10
20	90.0644	.BOLT, 3/8-16 USS X 5 1/2	4
21	99.A06N	.LOCKNUT, NYLON 3/8-16 USS	8
45	55.0071	.BEARING, 3/4 ROLLER 3.25" LONG	1
46	55.0072	.BEARING, RETAINER 3/4"	2
47	29.GF0001	.GREASE FTG, 1/4 SAE ST	1
50	55.0115	.BEARING, ROLLER 2.50" LONG	1
51	55.0114	.RETAINER, ROLLER BEARING 3/4"	2
52	29.GF0003	.GREASE FTG, 1/4 SAE 45	1

PARTS

ILLUSTRATED DRAWING Hitch Arms



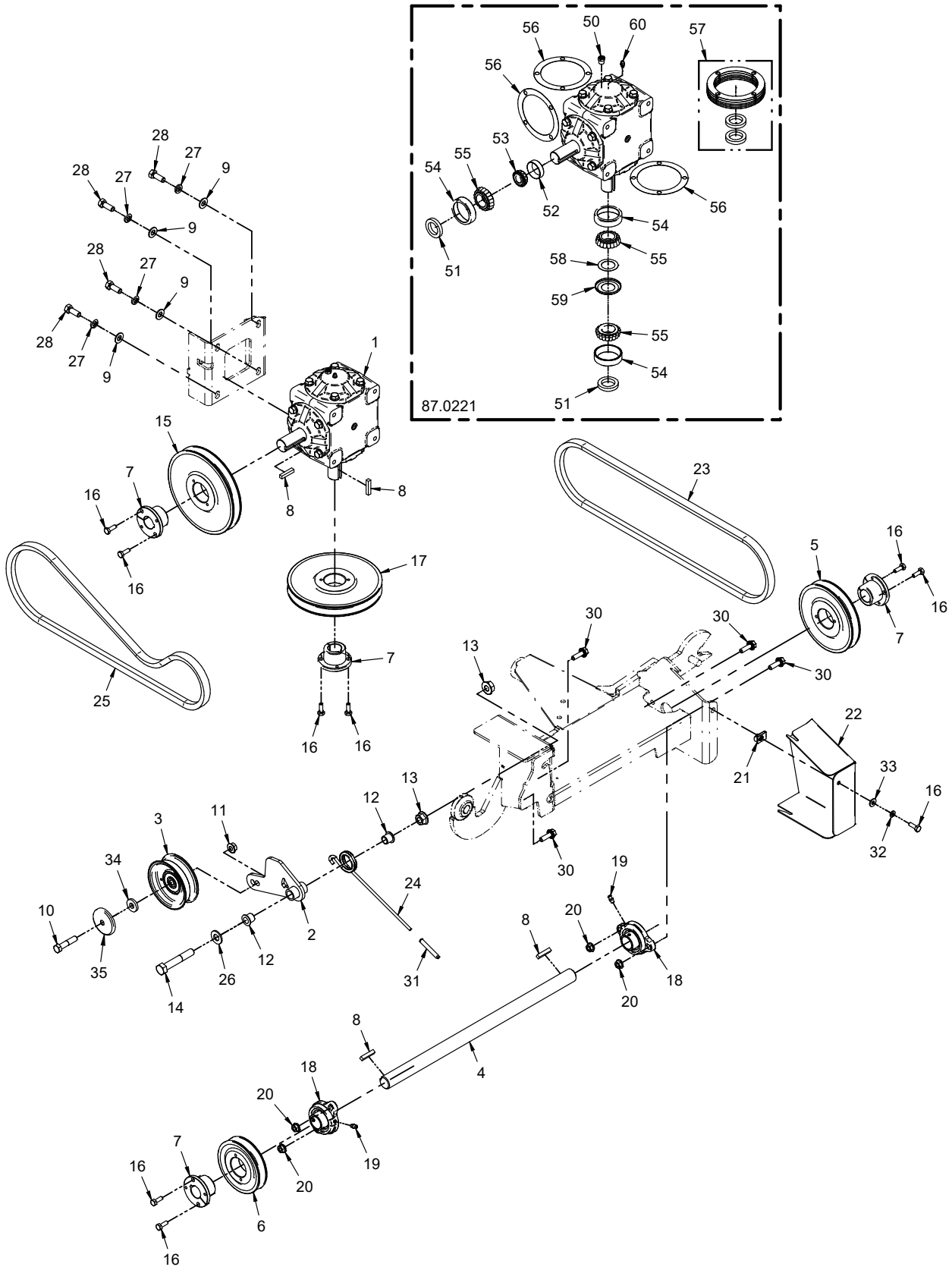
PARTS

Hitch Arms

REF.	PART NO.	DESCRIPTION	QTY.
1	62.1296	.HITCH, ARM RIGHT - MJ840	1
2	62.1297	.HITCH, ARM LEFT - MJ840	1
3	42.0533	.LATCH, DECK PIVOT MJ	1
4	64.1411	.BRACKET, DECK PIVOT LATCH MJ	1
5	91.1020	.BOLT, 5/8-18 SAE X 2 1/2	2
6	95.10	.WASHER, FLAT 5/8 SAE	2
7	90.0820	.BOLT, 1/2-13 USS X 2 1/2	2
8	99.SF08	.NUT, SRF 1/2-13 USS	4
9	06.0044	.CAP, PLASTIC 1/8 X 1/2 X 7/8	2
10	42.0450	.LINK, SPACING - LIFT ARMS	1
11	04.0007	.RIVET, POP DOME 1/8 X 1/8 S.S.	2
12	00.0217	.DECAL, WARNING READ OWNERS MANUAL (Serial # 1001-4163)	1
12	00.0619	.DECAL, READ OWNERS MANUAL (Serial # 4164-)	1
13	00.0220	.DECAL, GENERAL SAFETY (Serial # 1001-4163)	1
14	00.0101	.DECAL, HAZARD-MOVING PART (Serial # 1001-4163)	1
14	00.0626	.DECAL, ENTANGLEMENT HAZARD (Serial # 4164-)	1
15	99.SF04	.NUT, SRF 1/4-20 USS	2
16	99.B0057-2	.WASHER, MACH 3/4 X 1-1/4 10 GA ZP	4
17	90.0408	.BOLT, 1/4-20 USS X 1	1
18	99.A10NFN	.LOCKNUT, NYLON 5/8-18 SAE ZP	2
19	95.05	.WASHER, FLAT 5/16 SAE	4
20	90.0506	.BOLT, 5/16-18 USS X 3/4	4
21	99.SF05	.NUT, SRF 5/16-18 USS	2
22	41.0096	.SPRING, EXT 5/16 OD X 2-1/4	1
23	05.0118	.BUMPER, RUBBER CYLINDRICAL	2
25	00.0770	.DECAL, MADE IN USA	1
26	00.0219	.DECAL, WARNING DO NOT REACH (Serial # 1001-4163)	1
27	94.05	.WASHER, FLAT 5/16 USS	4
28	29.GF0001	.GREASE FTG, 1/4 SAE ST	2

PARTS

ILLUSTRATED DRAWING Drive Shaft & Gearbox



PARTS

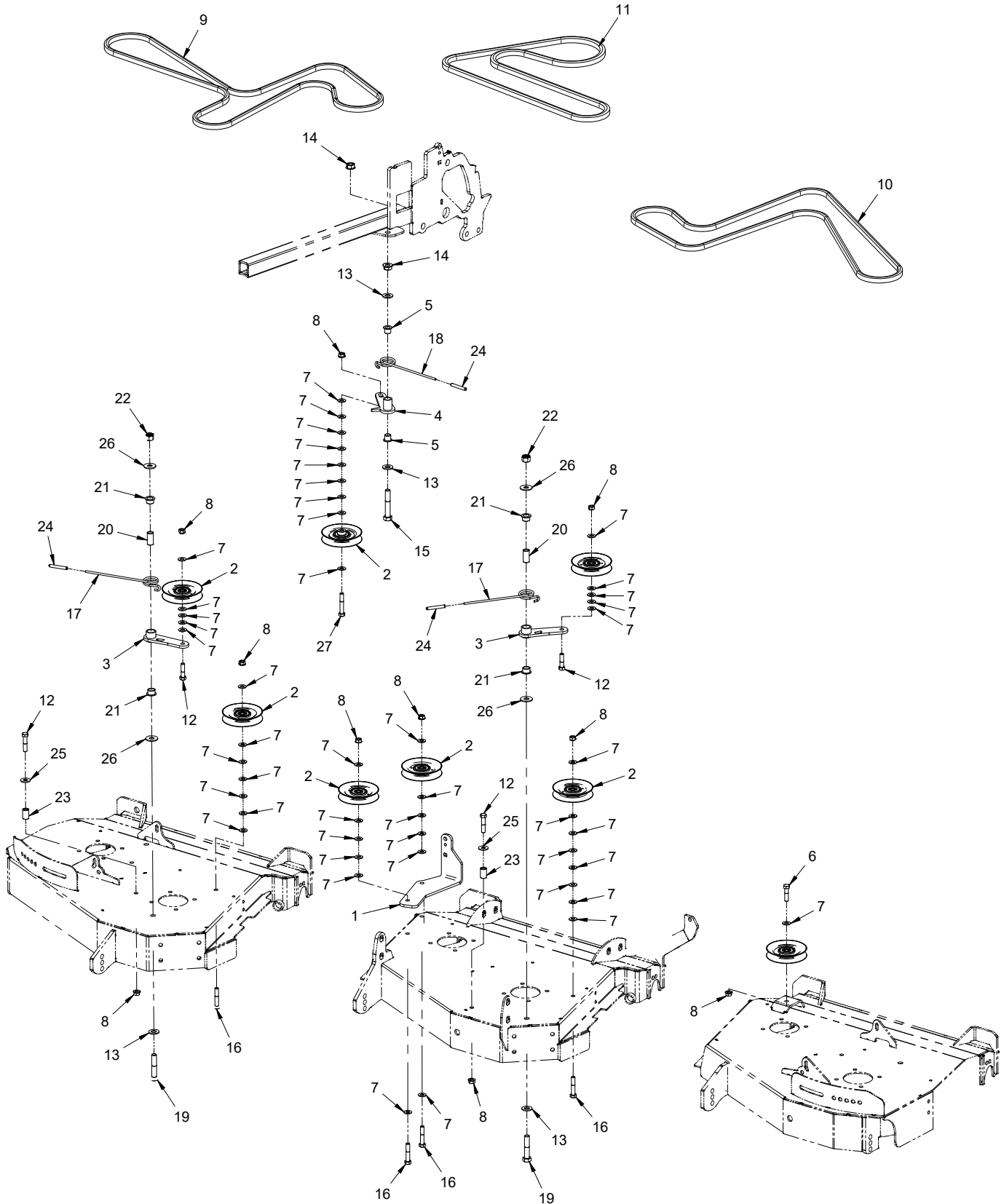
Drive Shaft & Gearbox

REF.	PART NO.	DESCRIPTION	QTY.
1	87.0221	GEARBOX	1
2	40.0354	IDLER ARM, GEAR BOX MJ	1
3	83.0013	PULLEY, IDLER FLAT 3/8 X 3 1/2	1
4	42.0536	SHAFT, DRIVE HITCH ARM MJ	1
5	83.BK55H	PULLEY, 5.5" H-BUSHING	1
6	83.BK45H	PULLEY, 4.5" H-BUSHING (Serial # 1001-3651)	1
6	83.BK36H	PULLEY, 3.6" H-BUSHING (Serial # 3652-)	1
7	83.H16S	BUSHING, 1" SPLIT 1/4" KEY	4
8	85.K0410	KEY, 1/4 X 1-1/4	4
9	95.06	WASHER, FLAT 3/8 SAE	4
10	90.0614	BOLT, 3/8-16 USS X 1 3/4	1
11	99.SF06	NUT, SRF 3/8-16 USS	1
12	85.B0027	BUSHING, 1/2 ID X 5/8 OD X 5/8	2
13	99.SF08	NUT, SRF 1/2-13 USS	2
14	90.0824	BOLT, 1/2-13 USS X 3	1
15	83.BK70H	PULLEY, 7" H-BUSH (Serial # 1001-3651)	1
15	83.BK72H	PULLEY, 7.2" H-BUSH (Serial # 3652-)	1
16	90.0406	BOLT, 1/4-20 USS X 3/4	9
17	83.BK72H	PULLEY, 7.2" H-BUSH	1
18	55.FB16016-1	BEARING, FLANGE BLOCK 1"	2
19	29.GF0001	GREASE FTG, 1/4 SAE ST	2
20	99.SF05	NUT, SRF 5/16-18 USS	4
21	99.E0046	NUT, "U" 1/4-20 EXTRUDED	1
22	60.1034	SHIELD, DRIVE PULLEY - MJ	1
23	81.B045	BELT, B45	1
24	41.0084	SPRING, TORSION LH 1-3/16 IDX7	1
25	81.B047	BELT, B47 (Serial # 1001-3651)	1
25	81.B046	BELT, B46 (Serial # 3652-)	1
26	95.08	WASHER, FLAT 1/2 SAE	1
27	96.06	WASHER, LOCK 3/8	4
28	90.0608	BOLT, 3/8-16 USS X 1	4
30	99.SF0508	BOLT, SRF 5/16-18 USS X 1	4
31	06.0060	CAP, VINYL 3/16 ID X 2 LONG	1
32	96.04	WASHER, LOCK 1/4	1
33	95.04	WASHER, FLAT 1/4 SAE	1
34	95.06	WASHER, FLAT 3/8 SAE (Serial # 1001-1447)	1
34	99.G0014	WASHER, 3/8 USS FW .165 THK (Serial # 1448-2355)	1
35	60.1056	COVER, PULLEY (Serial # 1448-)	1
50	23.0163	VALVE, RELIEF	1
51	89.0094	SEAL, SHAFT	2
52	55.0089	BEARING, CUP SMALL	1
53	55.0090	BEARING, CONE SMALL	1
54	55.0091	BEARING, CUP LARGE	3
55	55.0092	BEARING, CONE LARGE	3
56	89.0096	GASKET, .005, FOR 87.0221	A/R^
56	89.0097	GASKET, .015, FOR 87.0221	A/R^
56	89.0098	GASKET, .003, FOR 87.0221	A/R^
57	89.0099	KIT, SEAL & GASKET FOR 87.0221	1
58	99.B0140	SHIM, 0.010"	1
59	89.0109	NILOS RING, GEARBOX	1
60	29.GF0019	GREASE FTG, 3/16 SAE	1

^ When replacing gaskets, measure the thickness of the gasket stack that was removed from the gearbox and replace with a stack of equal thickness.

PARTS

ILLUSTRATED DRAWING Deck Belts (Serial # 1001-1447)



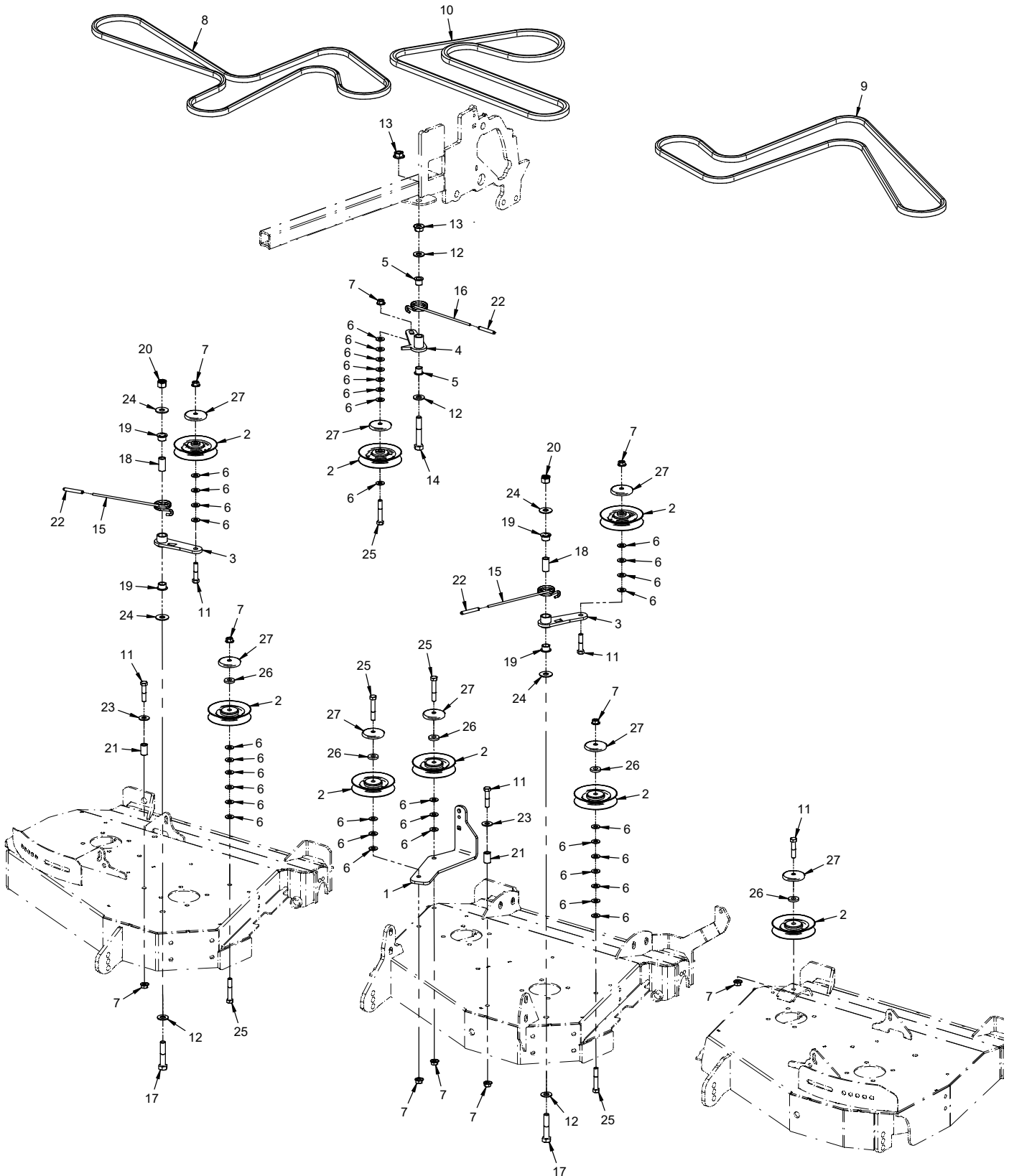
PARTS

Deck Belts (Serial # 1001-1447)

REF.	PART NO.	DESCRIPTION	QTY.
1	64.1412	.BRACKET, IDLER MOUNT	1
2	83.0038	.PULLEY, V-IDLER 4-1/4 X 3/8 ID	8
3	40.0355	.IDLER ARM, OUTER DECK MJ	2
4	40.0353	.IDLER ARM, CENTER DECK MJ	1
5	85.B0027	.BUSHING, 1/2 ID X 5/8 OD X 5/8	2
6	90.0612	.BOLT, 3/8-16 USS X 1 1/2	1
7	95.06	.WASHER, FLAT 3/8 SAE	48
8	99.SF06	.NUT, SRF 3/8-16 USS	10
9	81.AA096	.BELT, AA96	1
10	81.AA096	.BELT, AA96	1
11	81.BB078	.BELT, BB78	1
12	90.0614	.BOLT, 3/8-16 USS X 1 3/4	4
13	95.08	.WASHER, FLAT 1/2 SAE	4
14	99.SF08	.NUT, SRF 1/2-13 USS	2
15	90.0824	.BOLT, 1/2-13 USS X 3	1
16	90.0616	.BOLT, 3/8-16 USS X 2	4
17	41.0084	.SPRING, TORSION LH 1-3/16 IDX7	2
18	41.0083	.SPRING, TORSION RH 1-3/16 IDX7	1
19	90.0820	.BOLT, 1/2-13 USS X 2 1/2	2
20	64.1415	.BUSHING, ANTI-SCALP/IDLER SS	2
21	85.B0088	.BUSHING, 5/8 ID X 3/4 OD X 1/2	4
22	99.A08N	.LOCKNUT, NYLON 1/2-13 USS	2
23	64.1453	.BUSHING, BELT TENSIONER	2
24	06.0060	.CAP, VINYL 3/16 ID X 2 LONG	3
25	94.06	.WASHER, FLAT 3/8 USS	2
26	94.07	.WASHER, FLAT 7/16 USS	4
27	90.0618	.BOLT, 3/8-16 USS X 2 1/4	1

PARTS

ILLUSTRATED DRAWING Deck Belts (Serial # 1448-)



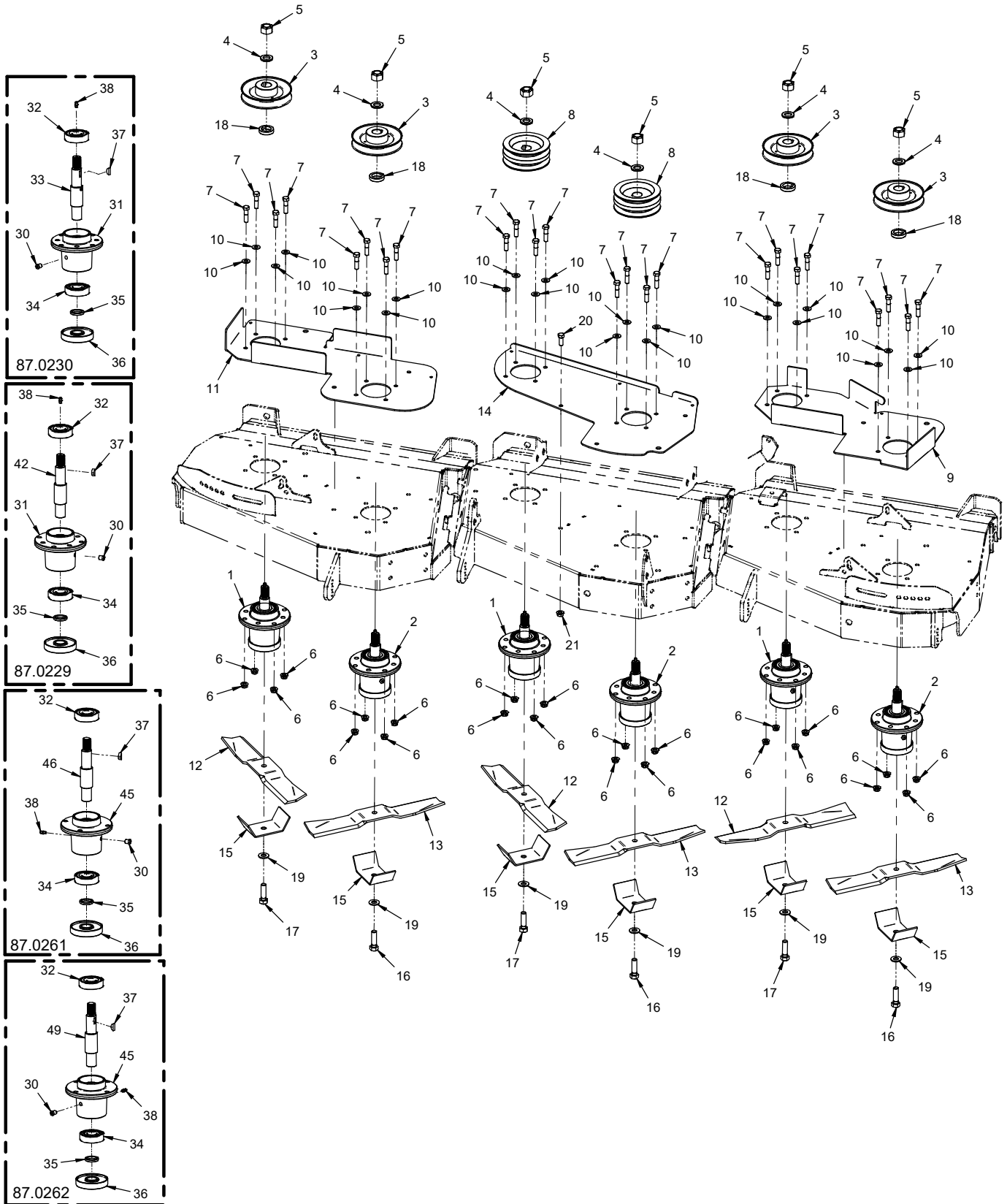
PARTS

Deck Belts (Serial # 1448-)

REF.	PART NO.	DESCRIPTION	QTY.
1	64.1412	.BRACKET, IDLER MOUNT	1
2	83.0038	.PULLEY, V-IDLER 4-1/4 X 3/8 ID	8
3	40.0355	.IDLER ARM, OUTER DECK MJ	2
4	40.0353	.IDLER ARM, CENTER DECK MJ	1
5	85.B0027	.BUSHING, 1/2 ID X 5/8 OD X 5/8	2
6	95.06	.WASHER, FLAT 3/8 SAE	35
7	99.SF06	.NUT, SRF 3/8-16 USS	10
8	81.AA096	.BELT, AA96	1
9	81.AA096	.BELT, AA96	1
10	81.BB078	.BELT, BB78	1
11	90.0614	.BOLT, 3/8-16 USS X 1 3/4	5
12	95.08	.WASHER, FLAT 1/2 SAE	4
13	99.SF08	.NUT, SRF 1/2-13 USS	2
14	90.0824	.BOLT, 1/2-13 USS X 3	1
15	41.0084	.SPRING, TORSION LH 1-3/16 IDX7	2
16	41.0083	.SPRING, TORSION RH 1-3/16 IDX7	1
17	90.0820	.BOLT, 1/2-13 USS X 2 1/2	2
18	64.1415	.BUSHING, ANTI-SCALP/IDLER SS	2
19	85.B0088	.BUSHING, 5/8 ID X 3/4 OD X 1/2	4
20	99.A08N	.LOCKNUT, NYLON 1/2-13 USS	2
21	64.1453	.BUSHING, BELT TENSIONER	2
22	06.0060	.CAP, VINYL 3/16 ID X 2 LONG	3
23	94.06	.WASHER, FLAT 3/8 USS	2
24	94.07	.WASHER, FLAT 7/16 USS (Serial # 1001-6511)	4
24	94.08	.WASHER, FLAT 1/2 USS (Serial # 6512-)	4
25	90.0618	.BOLT, 3/8-16 USS X 2 1/4	5
26	99.G0014	.WASHER, 3/8 USS FW .165 THK (Serial # 1448-2339)	5
27	60.1056	.COVER, PULLEY	8

PARTS

ILLUSTRATED DRAWING Spindles



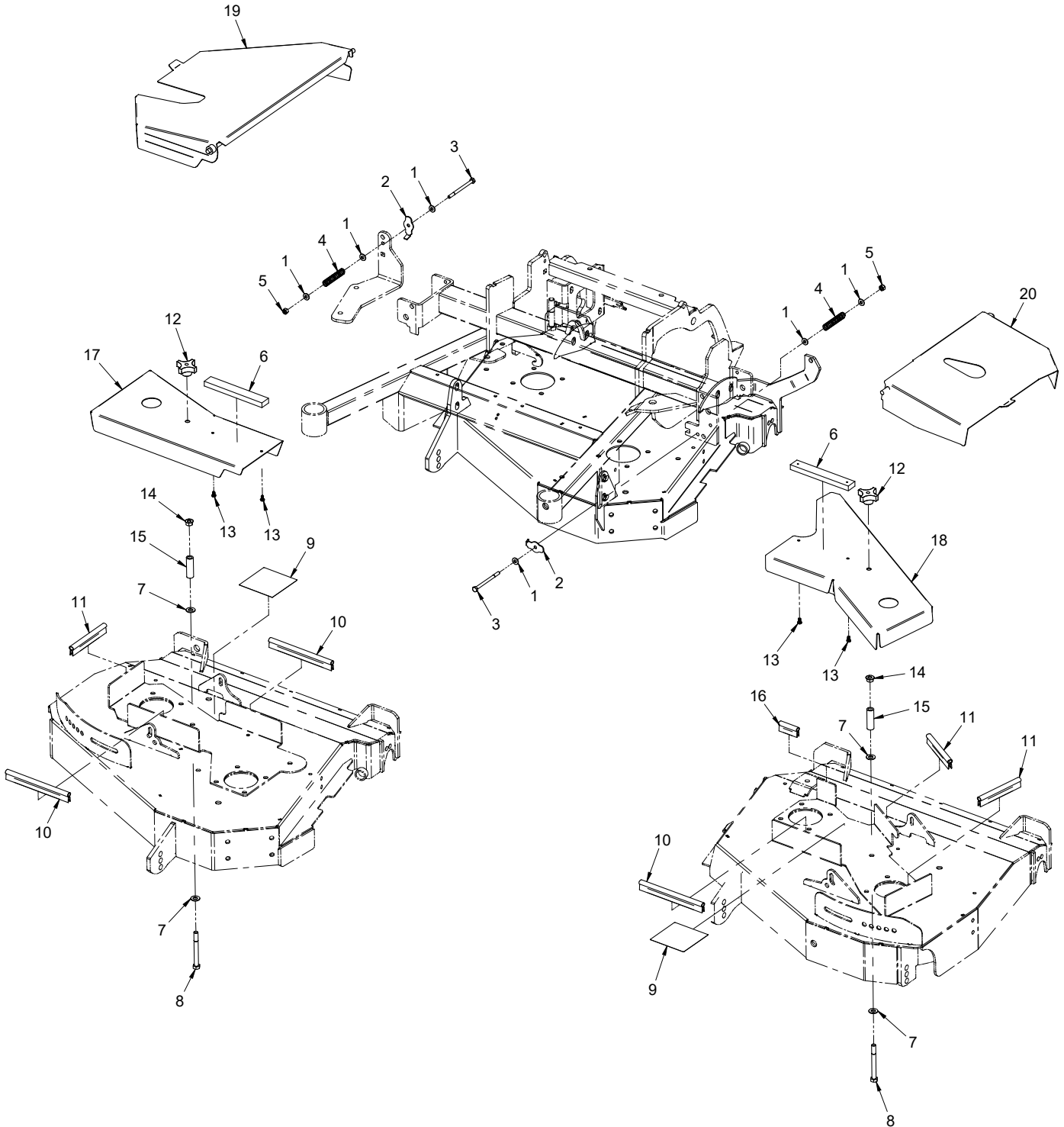
PARTS

Spindles

REF.	PART NO.	DESCRIPTION	QTY.
1	87.0229	.SPINDLE, ASM RH 25MM AL (Serial # 1001-4403)	3
1	87.0261	.SPINDLE, ASM RH 25MM AL (Serial # 4404-)	3
2	87.0230	.SPINDLE, ASM LH 25MM AL (Serial # 1001-4403)	3
2	87.0262	.SPINDLE, ASM LH 25MM AL (Serial # 4404-)	3
3	83.0050	.PULLEY, 5-1/8, 25MM STR. BORE	4
4	99.B0057-2	.WASHER, MACH 3/4 X 1-1/4 10 GA ZP	6
5	99.A12NF	.LOCKNUT, STOVER 3/4-16 SAE	6
6	99.E0082	.NUT, LOCKING FLANGE 3/8 - 16	24
7	90.0612	.BOLT, 3/8-16 USS X 1 1/2	24
8	83.0055	.PULLEY, 2BK50 25MM BORE	2
9	64.1408	.BRACKET, SPINDLE MOUNT LEFT (Serial # 1001-2339)	1
9	64.1985	.BRACKET, SPINDLE MOUNT LEFT (Serial # 2340-)	1
10	95.06	.WASHER, FLAT 3/8 SAE	24
11	64.1407	.BRACKET, SPINDLE MOUNT RIGHT (Serial # 1001-2339)	1
11	64.1984	.BRACKET, SPINDLE MOUNT RIGHT (Serial # 2340-)	1
12	79.0079	.BLADE, 15.00X1/2 RH F LOWLIFT	3
13	79.0080	.BLADE, 15.00X1/2 LH F LOWLIFT	3
14	64.1409	.BRACKET, SPINDLE MOUNT CENTER (Serial # 1001-2059)	1
14	64.1902	.BRACKET, SPINDLE MOUNT CENTER (Serial # 2060-)	1
15	64.2002	.GUARD, SPINDLE/ANTI-STRING	6
16	91.0814-8L	.BOLT, 1/2-20 X 1 3/4 LH GR8	3
17	91.0814-8	.BOLT, 1/2-20 X 1 3/4 GR8	3
18	85.B0080	.BUSHING, 1-1/2 OD, 1 ID	4
19	95.08	.WASHER, FLAT 1/2 SAE	6
20	90.0608	.BOLT, 3/8-16 USS X 1 (Serial # 2060-)	1
21	99.SF06	.NUT, SRF 3/8-16 USS (Serial # 2060-)	1
30	29.GF0017	.FITTING, RELIEF	1
31	87.0209-1	.HOUSING, SPINDLE AL	1
32	55.0064	.BEARING, BALL 25 MM X 62 MM	1
33	87.0208-2	.SHAFT, SPINDLE LH	1
34	55.0064	.BEARING, BALL 25 MM X 62 MM	1
35	85.B0082	.BUSHING, SPINDLE SHAFT SPACER	1
36	87.0210	.SPINDLE, FLANGE SHIELD	1
37	85.W0406	.KEY, WOODRUFF 1/4 X 3/4	1
38	29.GF0001	.GREASE FTG, 1/4 SAE ST	1
42	87.0209-2	.SHAFT, SPINDLE RH	1
45	87.0261-1	.HOUSING, SPINDLE AL	1
46	87.0261-2	.SHAFT, SPINDLE RH	1
49	87.0262-2	.SHAFT, SPINDLE LH	1

PARTS

ILLUSTRATED DRAWING Deck Shields



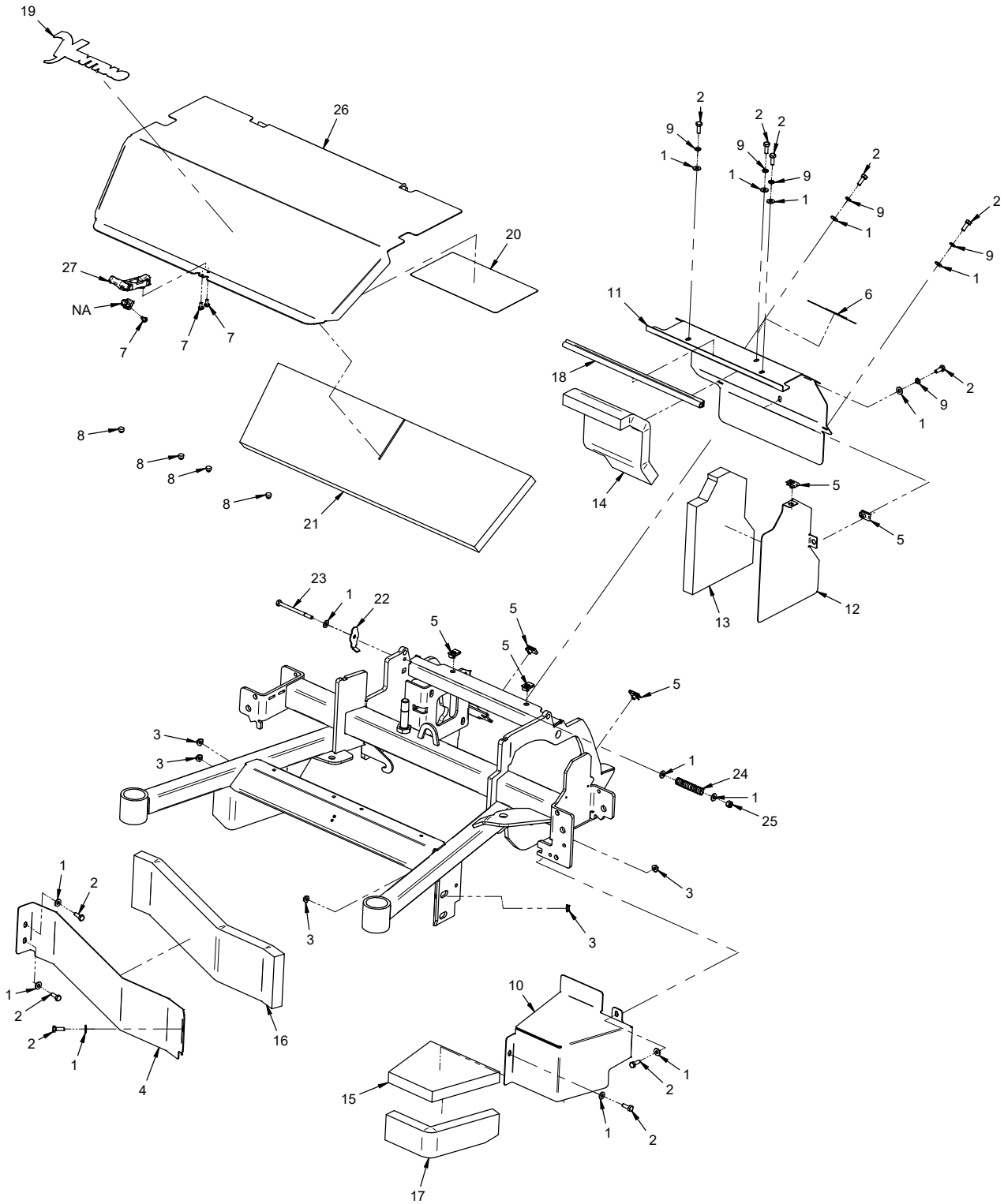
PARTS

Deck Shields

REF.	PART NO.	DESCRIPTION	QTY.
1	95.04	WASHER, FLAT 1/4 SAE	6
2	64.1413	BRACKET, SHIELD SPRING	2
3	90.0428	BOLT, 1/4-20 USS X 3 1/2	2
4	41.0021	SPRING, COMP 1/2 OD X 2-3/4 LG	2
5	99.A04N	LOCKNUT, NYLON 1/4-20	2
6	44.0250	SLIDE, SHIELD	2
7	95.06	WASHER, FLAT 3/8 SAE	4
8	90.0628	BOLT, 3/8-16 USS X 3 1/2	2
9	00.0062	DECAL, DANGER SHIELD MISSING (Serial # 1001-4163)	2
9	00.0625	DECAL, SHIELD MISSING (Serial # 4164-)	2
10	06.0062-7IN	TRIM, TRIM SEAL W/BULB X 7"	3
11	06.0062-5IN	TRIM, TRIM SEAL W/BULB X 5"	3
12	47.0213	KNOB, 3/8-16 THRU HOLE	2
13	99.K0105	MACHINE SCREW, #10-32 X 3/8	4
14	99.SF06	NUT, SRF 3/8-16 USS	2
15	64.1410	BUSHING, SHIELD MOUNT	2
16	06.0062-2IN	TRIM, TRIM SEAL W/BULB X 2"	1
17	60.1028	SHIELD, DECK RIGHT	1
18	60.1027	SHIELD, DECK LEFT	1
19	60.1029	SHIELD, DECK HINGE RIGHT	1
20	60.1030	SHIELD, DECK HINGE LEFT	1

PARTS

ILLUSTRATED DRAWING Carrier Shields



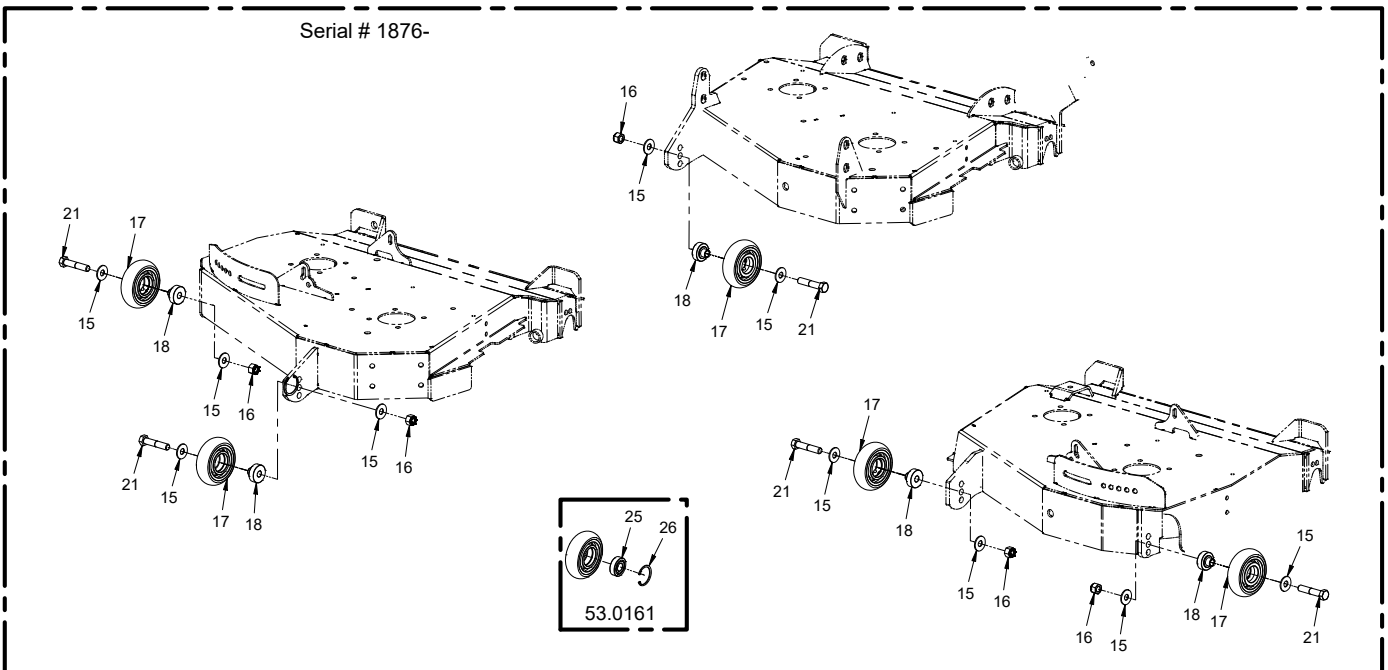
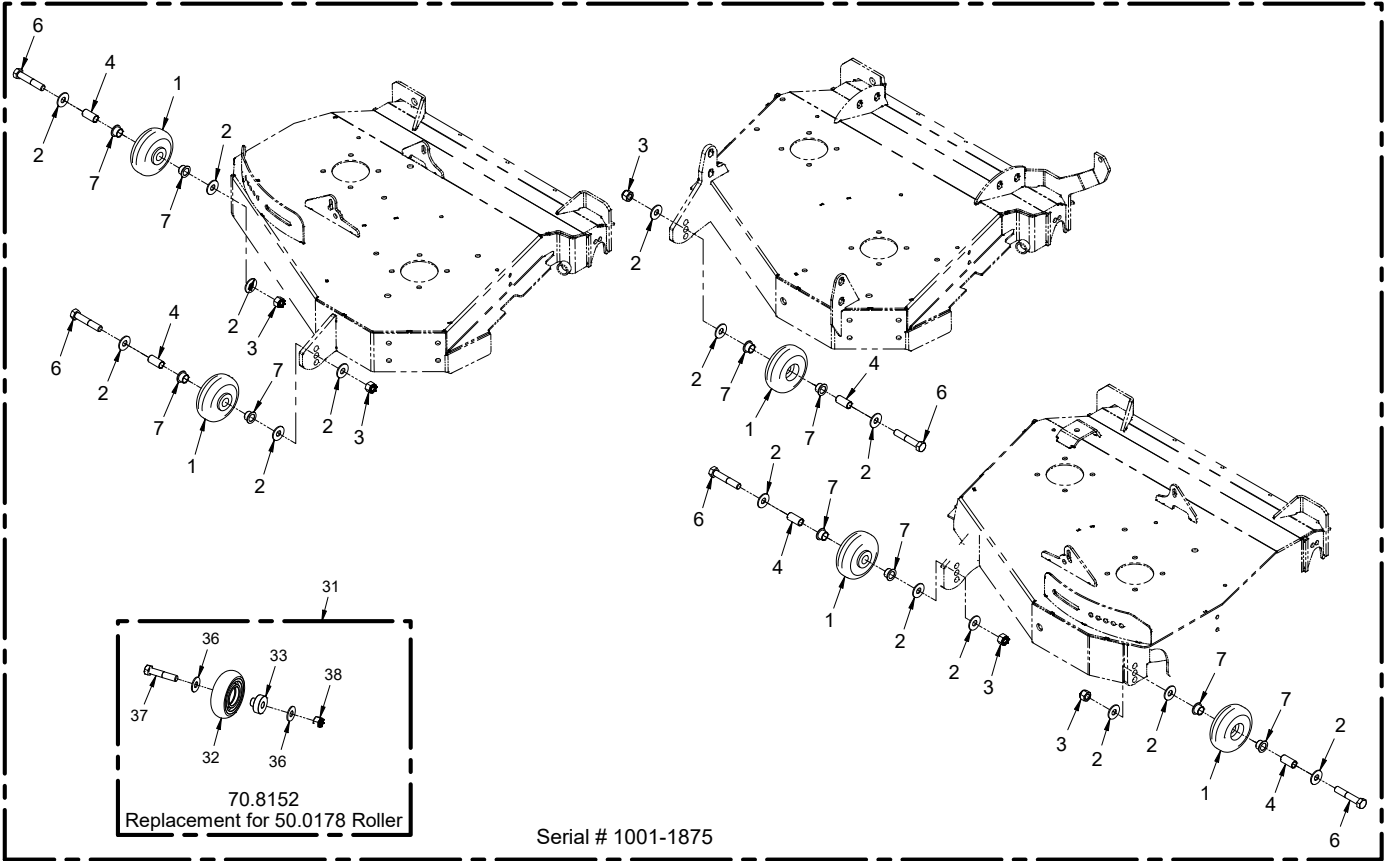
PARTS

Carrier Shields

REF.	PART NO.	DESCRIPTION	QTY.
1	95.04	WASHER, FLAT 1/4 SAE	14
2	90.0406	BOLT, 1/4-20 USS X 3/4"	11
3	99.SF04	NUT, SRF 1/4-20 USS	5
4	60.1031	SHIELD, CARRIER FRAME FRONT	1
5	99.E0046	NUT, "U" 1/4-20 EXTRUDED	6
6	00.0192	DECAL, V-DECAL DIE CUT BLUE	1
7	99.K0072	MACHINE SCREW, 10-24 X 1/2 ZP	3
8	05.0120	BUMPER, NEOPRENE 10 GA - 1/4	4
9	96.04	WASHER, LOCK 1/4	6
10	60.1032	SHIELD, CARRIER FRAME LEFT	1
11	60.1093	SHIELD, CARRIER FRAME REAR	1
12	60.1094	SHIELD, GEARBOX LEFT SIDE	1
13	44.0301	INSULATION, GEARBOX SHIELD	1
14	44.0300	INSULATION, REAR SHIELD	1
15	44.0304	INSULATION, SHIELD UPPER	1
16	44.0303	INSULATION, FRONT SHIELD	1
17	44.0305	INSULATION, SHIELD SIDE	1
18	06.0049-14.88IN	TRIM, 7/16" BULB SEAL SIDE 1/16T X 14-7/8"	1
19	00.0189	DECAL, VENTRAC ORBITAL (SERIAL # 1001-5944)	1
19	00.0383	DECAL, VENTRAC (SERIAL # 5945-)	1
20	00.0290	DECAL, MAINTENANCE MJ CE (SERIAL # 1001-1875)	1
20	00.0399	DECAL, MAINTENANCE MJ CE (SERIAL # 1876-5635)	1
20	00.0762	DECAL, MAINTENANCE MJ CE (SERIAL # 5636-)	1
21	44.0302	INSULATION, CARRIER SHIELD	1
22	64.1413	BRACKET, SHIELD SPRING	1
23	90.0428	BOLT, 1/4-20 USS X 3-1/2	1
24	41.0021	SPRING, COMP 1/2 OD X 2-3/4 LG	1
25	99.A04N	LOCKNUT, NYLON 1/4-20	1
26	60.1026	SHIELD, CARRIER FRAME	1
27	47.0127	LATCH, RUBBER DRAW T-HANDLE	1

PARTS

ILLUSTRATED DRAWING Front Anti-Scalp Rollers



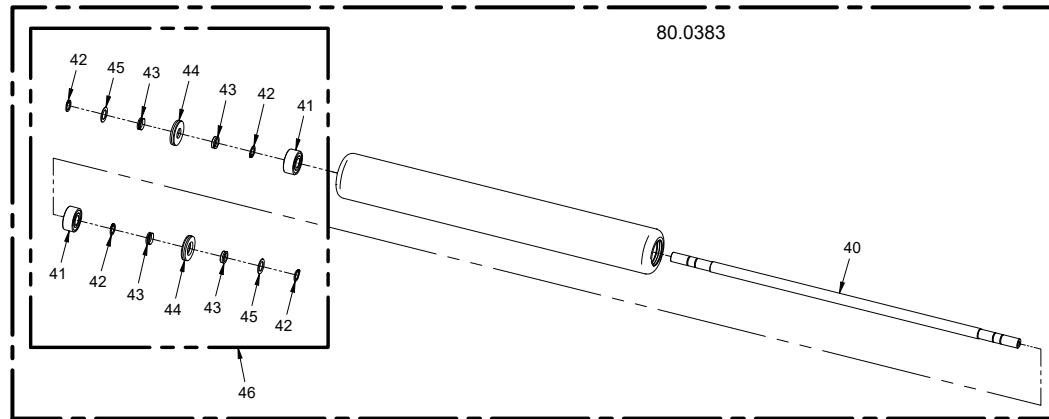
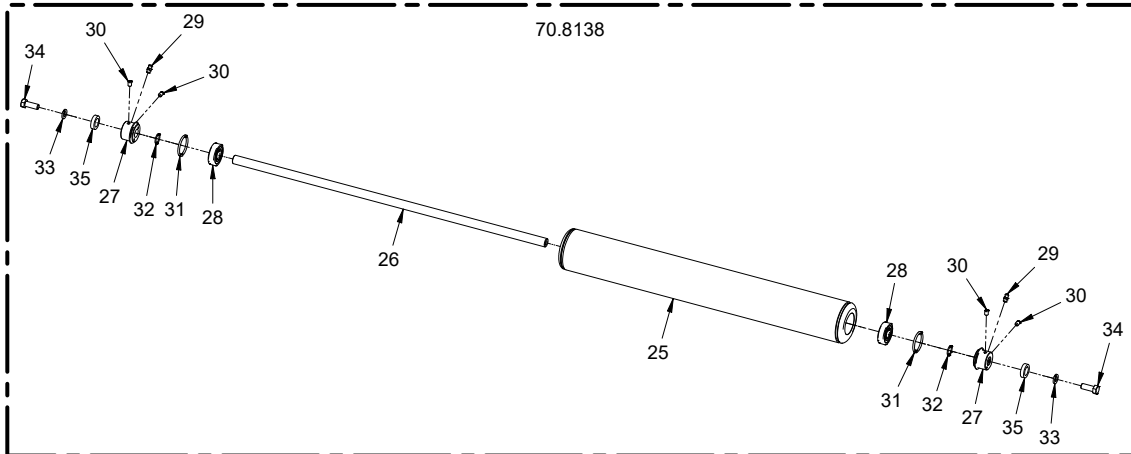
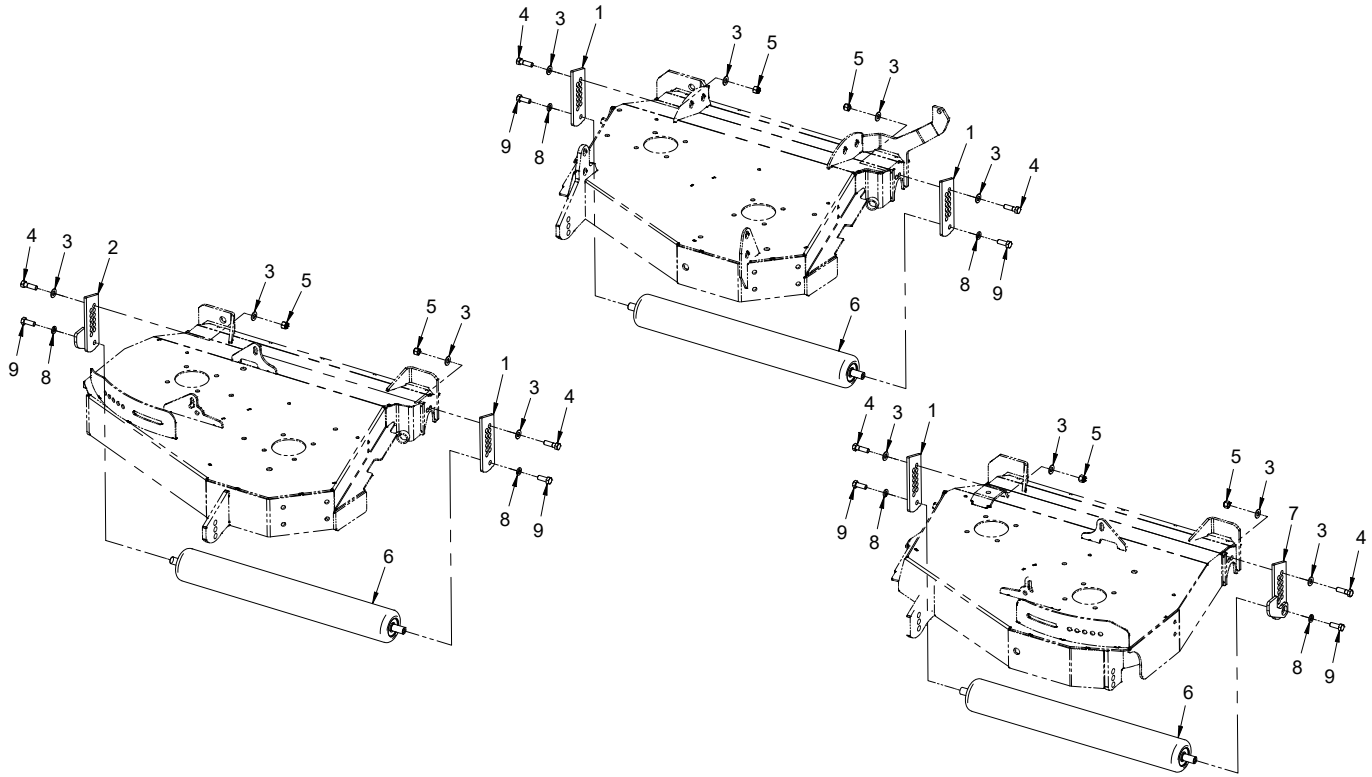
PARTS

Front Anti-Scalp Rollers

REF.	PART NO.	DESCRIPTION	QTY.
1	50.0178	.ROLLER, 4" X 1.625 BLACK UHMW (Serial # 1001-1875)	5
2	94.07	.WASHER, FLAT 7/16 USS	15
3	99.A08N	.LOCKNUT, NYLON 1/2-13 USS	5
4	64.1415	.BUSHING, .495ID X5/8OD X1-9/32 SS (Serial # 1001-1875)	5
6	90.0822	.BOLT, 1/2-13 USS X 2 3/4 (Serial # 1001-1875)	5
7	85.B0088	.BUSHING, 5/8 ID X 3/4 OD X 1/2 (Serial # 1001-1875)	10
15	94.07	.WASHER, FLAT 7/16 USS (Serial # 1001-6511)	10
15	94.08	.WASHER, FLAT 1/2 USS (Serial # 6512-)	10
16	99.A08N	.LOCKNUT, NYLON 1/2-13 USS	5
17	53.0161	.WHEEL, 4" OD COMPLETE (Serial # 1876-)	5
18	50.0192	.BUSHING, ANTI-SCALP WHEEL (Serial # 1876-)	5
21	90.0820	.BOLT, 1/2-13 USS X 2-1/2 (Serial # 1876-)	5
25	55.0094	.BEARING, BALL 17 X 40MM 2RSTFP	1
26	04.0033	.SNAP RING, INT 1-9/16 BORE	1
31	70.8152	.KIT, ANTI-SCALP WHEEL MJ840	5
32	53.0161	.WHEEL, 4" OD COMPLETE	1
33	50.0192	.BUSHING, ANTI-SCALP WHEEL	1
36	94.07	.WASHER, FLAT 7/16 USS	2
37	90.0820	.BOLT, 1/2-13 USS X 2-1/2	1
38	99.A08N	.LOCKNUT, NYLON 1/2-13 USS	1

PARTS

ILLUSTRATED DRAWING Rear Rollers (Serial # 1001-6751)



PARTS

Rear Rollers (Serial # 1001-6751)

REF.	PART NO.	DESCRIPTION	QTY.
1	64.1425	.PLATE, ROLLER HEIGHT ADJUST	4
2	64.1402	.MOUNT, ROLLER HEIGHT ADJ RIGHT	1
3	95.06	.WASHER, FLAT 3/8 SAE	12
4	90.0610	.BOLT, 3/8-16 USS X 1-1/4	6
5	99.A06N	.LOCKNUT, NYLON 3/8-16 USS	6
6	70.8138	.KIT, ROLLER ASSEMBLY MJ840 (Serial # 1001-1871)	3
6	80.0383	.ROLLER, REAR MJ840 COMPLETE (Serial # 1872-)	3
7	64.1403	.MOUNT, ROLLER HEIGHT ADJ. LEFT	1
8	96.06	.WASHER, LOCK 3/8	6
9	99.K0104	.BOLT, 3/8-24 X 1 GRD 8	6
25	80.0372	.ROLLER, REAR DECK - MJ840	1
26	42.0537	.SHAFT, REAR ROLLER	1
27	53.0135	.COLLAR, ROLLER END CAP	2
28	55.0069	.BEARING, BALL .625 IN X 40MM	2
29	29.GF0001	.GREASE FTG, 1/4 SAE ST	2
30	85.SS11	.SET SCREW, 1/4-28 X 3/8"	4
31	26.0029	.O-RING, 1-5/16 X 1-9/16 X 1/8	2
32	26.0028	.O-RING, 5/8 ID X 3/4 OD X 1/16	2
33	96.06	.WASHER, LOCK 3/8	2
34	99.K0104	.BOLT, 3/8-24 SAE X 1 GRADE 8	2
35	05.0112	.WASHER, NYLON .635ID X1OD X1/4	2
40	80.0384	.SHAFT, 80.0383 ROLLER	1
41	55.0093	.BEARING, 80.0383 ROLLER	2
42	04.0036	.SNAP RING, EXT .575 ID X .05THK	4
43	89.0101	.SEAL, 80.0383 ROLLER ENDCAP	4
44	80.0385	.ENDCAP, 80.0383 ROLLER	2
45	99.B0114	.SHIM, 5/8"X1"X .032 THK SS	2
46	80.0383-1	.KIT, OVERHAUL 80.0383 ROLLER	1

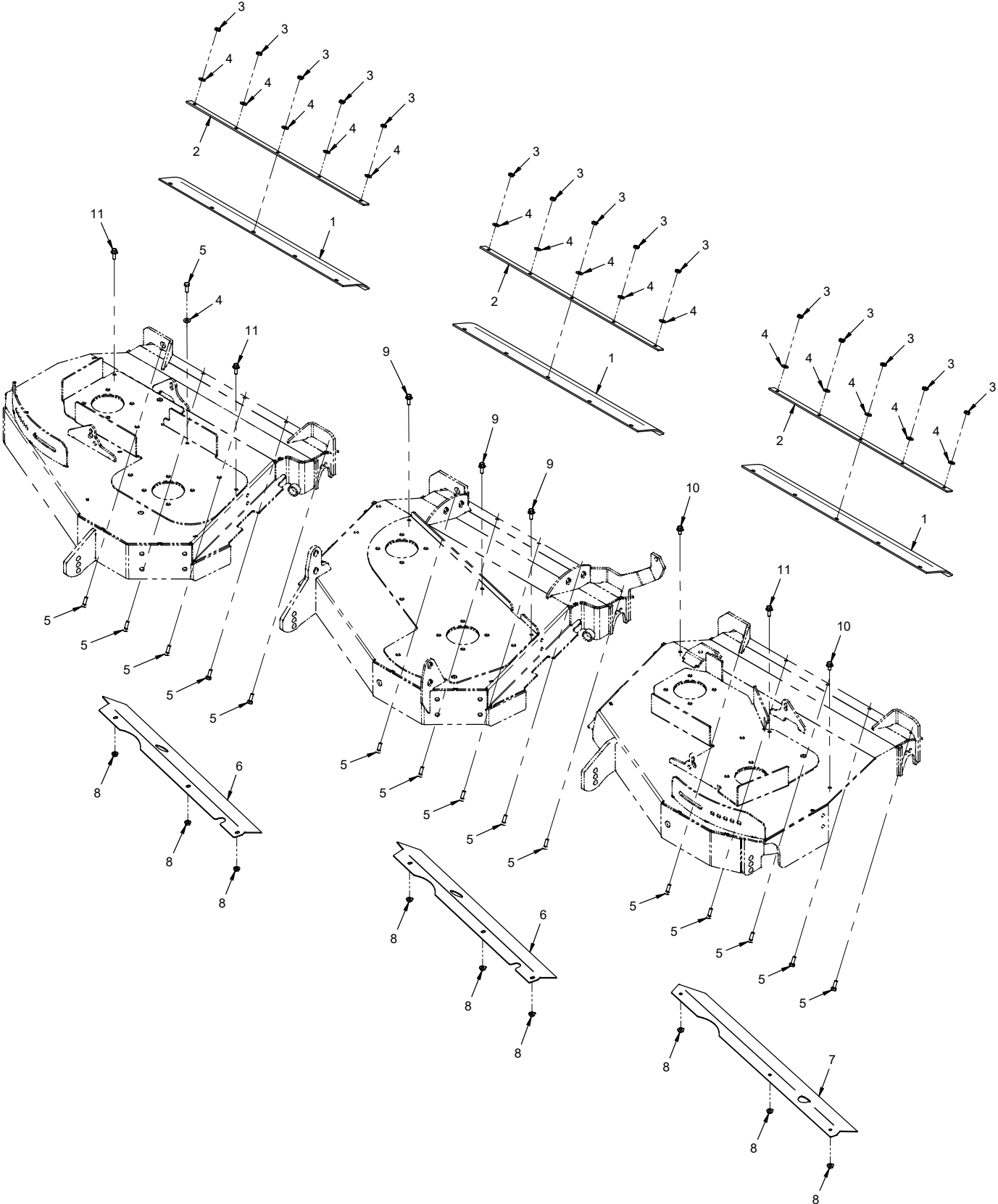
PARTS

Rear Rollers (Serial # 6752-)

REF.	PART NO.	DESCRIPTION	QTY.
1	95.04	WASHER, FLAT 1/4 SAE	6
2	95.06	WASHER, FLAT 3/8 SAE	12
3	90.0610	BOLT, 3/8-16 UNC X 1-1/4	6
4	99.A06N	LOCKNUT, NYLON 3/8-16 UNC.	6
5	99.SF04	NUT, SRF 1/4-20 USS.	8
6	96.06	WASHER, LOCK 3/8.	6
7	99.K0104	BOLT, 3/8-24 SAE X 1 GRD 8.	6
8	90.0408	BOLT, 1/4-20 UNC X 1	6
9	MJ-1002	SCRAPER, REAR ROLLER MJ.	3
10	MJ-6005	MOUNT, SCRAPER ROLLER HEIGHT ADJ. LH	1
11	MJ-6006	MOUNT, SCRAPER ROLLER HEIGHT ADJ. RH	1
12	MJ-6003	MOUNT, SCRAPER ROLLER HT ADJ. MID LH	2
13	MJ-6004	MOUNT, SCRAPER ROLLER HT ADJ. MID RH	2
14	80.0383	ROLLER, REAR MJ840 COMPLETE	3
40	80.0384	SHAFT, 80.0383 ROLLER	1
41	55.0093	BEARING, 80.0383 ROLLER	2
42	04.0036	SNAP RING, EXT .575 ID X .05THK	4
43	89.0101	SEAL, 80.0383 ROLLER ENDCAP	4
44	80.0385	ENDCAP, 80.0383 ROLLER	2
45	99.B0114	SHIM, 5/8"X1"X .032 THK SS	2
46	80.0383-1	KIT, OVERHAUL 80.0383 ROLLER	1

PARTS

ILLUSTRATED DRAWING Discharge Deflectors & Rear Belting



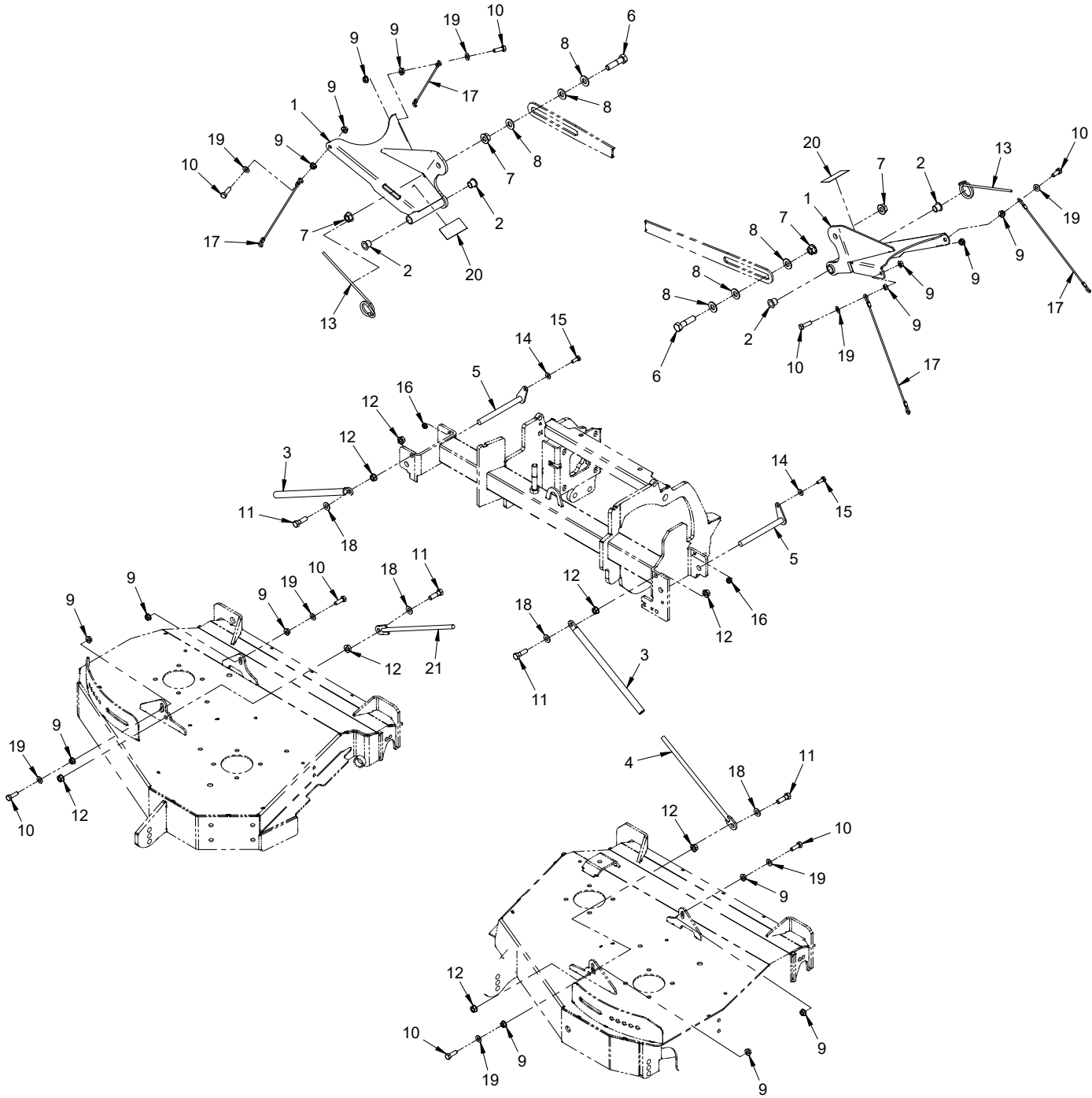
PARTS

Discharge Deflectors & Rear Belting

REF.	PART NO.	DESCRIPTION	QTY.
1	44.0251	.BELTING, REAR DISCHARGE	3
2	64.1422	.CLAMP, REAR BELTING	3
3	99.A04	.LOCKNUT, STOVER 1/4-20 USS	15
4	95.04	.WASHER, FLAT 1/4 SAE	16
5	90.0406	.BOLT, 1/4-20 USS X 3/4	16
6	60.1035	.DEFLECTOR, DECK DISCHARGE R/C	2
7	60.1036	.DEFLECTOR, DECK DISCHARGE LEFT	1
8	99.SF04	.NUT, SRF 1/4-20 USS	9
9	99.SF0404	.BOLT, SRF 1/4-20 X 1/2 (Serial # 1001-2059)	3
9	99.SF0406	.BOLT, SRF 1/4-20 X 3/4 (Serial # 2060-)	3
10	99.SF0404	.BOLT, SRF 1/4-20 X 1/2	2
11	99.SF0404	.BOLT, SRF 1/4-20 X 1/2 (Serial # 1001-2339)	3
11	99.SF0406	.BOLT, SRF 1/4-20 X 3/4 (Serial # 2340-)	3

PARTS

ILLUSTRATED DRAWING Deck Wing Lift Arms



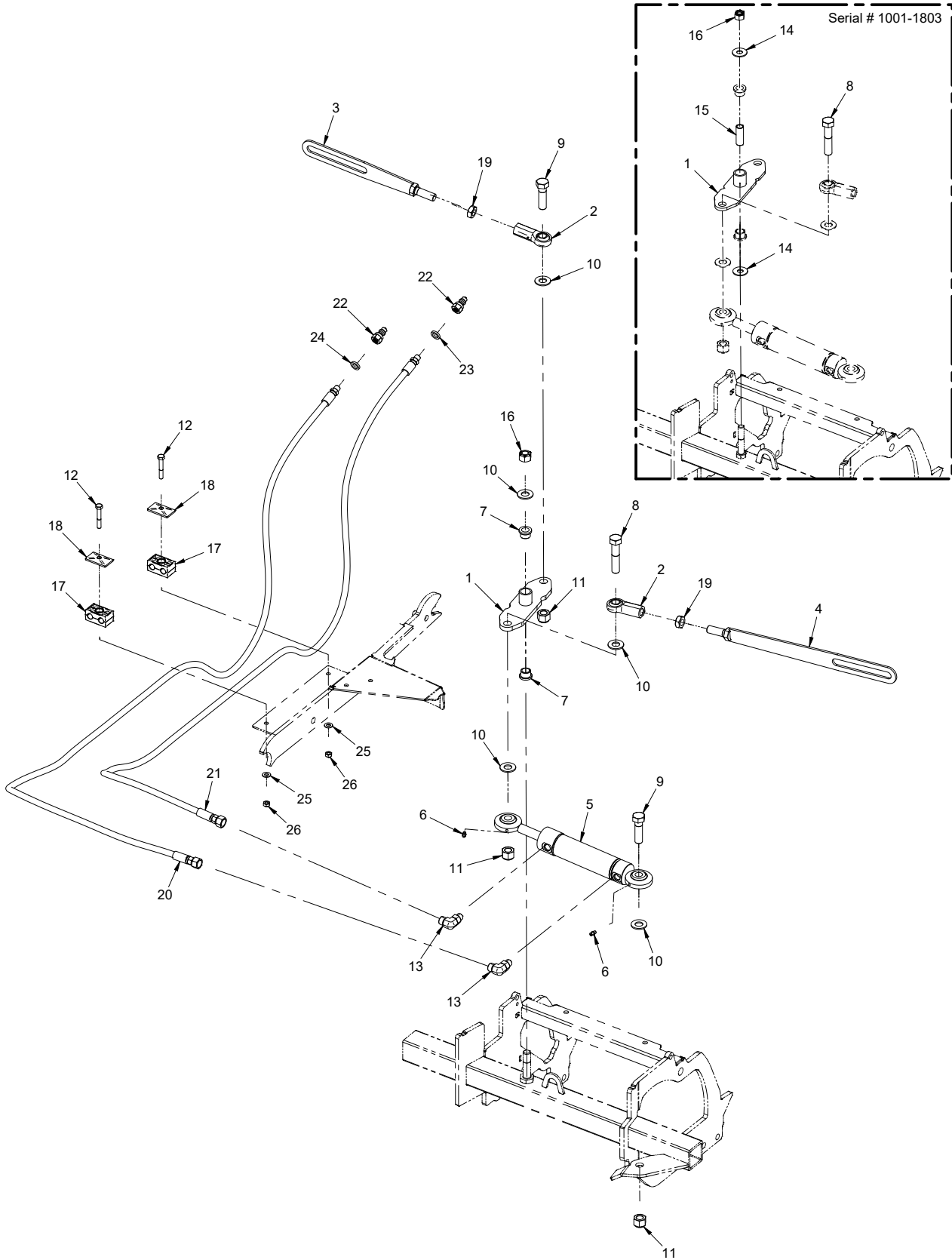
PARTS

Deck Wing Lift Arms

REF.	PART NO.	DESCRIPTION	QTY.
1	62.1300	LIFT ARM, OUTSIDE DECK WING (Serial # 1001-1875)	2
1	62.1427	LIFT ARM, OUTSIDE DECK WING (Serial # 1876-)	2
2	85.B0027	BUSHING, 1/2 ID X 5/8 OD X 5/8	4
3	64.1406	LIMITER, DECK HINGE UPPER	2
4	64.1405	LIMITER, DECK HINGE LOWER L	1
5	64.1404	PIN, LIFT ARM PIVOT	2
6	90.0816	BOLT, 1/2-13 USS X 2	2
7	99.SF08	NUT, SRF 1/2-13 USS	4
8	95.08	WASHER, FLAT 1/2 SAE	6
9	99.SF05	NUT, SRF 5/16-18 USS	16
10	90.0508	BOLT, 5/16-18 USS X 1	8
11	90.0610	BOLT, 3/8-16 USS X 1 1/4	4
12	99.SF06	NUT, SRF 3/8-16 USS	8
13	41.0111	SPRING, TORSION LH 1-3/16 ID X 7	2
14	95.04	WASHER, FLAT 1/4 SAE	2
15	90.0406	BOLT, 1/4-20 USS X 3/4	2
16	99.SF04	NUT, SRF 1/4-20 USS	2
17	45.0047	CABLE, 1/8 X 12 SS W/3/8 LOOPS (Serial # 1001-2339)	4
17	45.0055	CABLE, 1/8 X 12 SS STAMPED END (Serial # 2340-)	4
18	95.06	WASHER, FLAT 3/8 SAE	4
19	95.05	WASHER, FLAT 5/16 SAE	8
20	00.0218	DECAL, WARNING PINCH POINT (Serial # 1001-4163)	2
20	00.0364	DECAL, WARNING PINCH POINT (Serial # 4164)	2
21	64.1405	LIMITER, DECK HINGE LOWER (Serial # 1001-1221)	1
21	64.1658	LIMITER, DECK HINGE LOWER R (Serial # 1222-)	1

PARTS

ILLUSTRATED DRAWING Deck Wing Lift Arm Hydraulics



PARTS

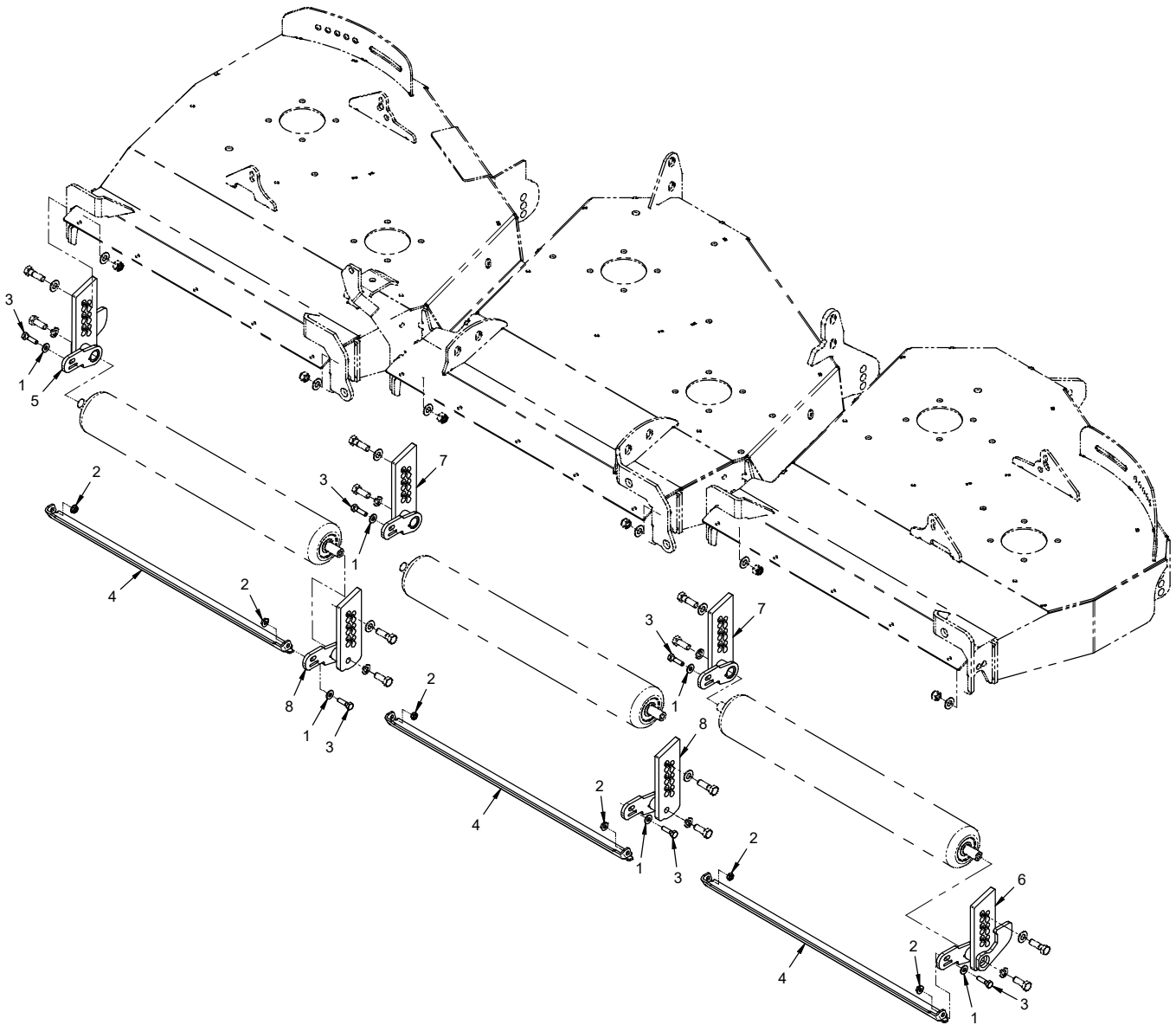
Deck Wing Lift Arm Hydraulics

REF.	PART NO.	DESCRIPTION	QTY.
1	42.0532	.PIVOT, LIFT LINK MJ (Serial # 1001-1803)	1
1	42.0574	.PIVOT, LIFT LINK MJ (Serial # 1804-)	1
2	43.010	.ROD END, 5/8 SPHERICAL	2
3	42.0531	.LINK, LIFT ARM RIGHT DECK	1
4	42.0530	.LINK, LIFT ARM LEFT DECK	1
5	23.0130	.CYLINDER, 1-1/2" X 5"	1
6	29.GF0001	.GREASE FTG, 1/4 SAE ST	2
7	85.B0118	.BUSHING, 5/8 IDX13/16 ODX5/8L	2
8	91.1024	.BOLT, 5/8-18 SAE X 3 (Serial # 1001-1803)	1
8	91.1026	.BOLT, 5/8-18 SAE X 3-1/4 (Serial # 1804-)	1
9	91.1018	.BOLT, 5/8-18 SAE X 2 1/4	2
10	95.10	.WASHER, FLAT 5/8 SAE (Serial # 1001-1803)	4
10	95.10	.WASHER, FLAT 5/8 SAE (Serial # 1804-)	5
11	99.A10NFN	.LOCKNUT, NYLON 5/8-18 SAE ZP	3
12	90.0516	.BOLT, 5/16-18 USS X 2	2
13	25.FF6801-06-06	.FITTING, 90 - 6 MFF X 6 MB	2
14	94.07	.WASHER, FLAT 7/16 USS (Serial # 1001-1803)	2
15	64.1427	.BUSHING, .495 ID X 5/8 OD X 1-3/4 SS (Serial # 1001-1803)	1
16	99.A08N	.LOCKNUT, NYLON 1/2-13 USS (Serial # 1001-1803)	1
16	99.A10	.LOCKNUT, STOVER 5/8-11 USS (Serial # 1804-)	1
17	44.0256	.CLAMP, HYD HOSE 12.7MM ID GRN	2
18	44.0229	.COVER PLATE, 2D GROUP	2
19	99.E0011	.NUT, JAM 5/8 SAE	2
20	20.0284	.HOSE ASM, 1/4 X 73 SAE 100R17	1
21	20.0285	.HOSE ASM, 1/4 X 66 SAE 100R17	1
22	23.0104	.COUPLER, HYDRAULIC QUICK - 1/4 MALE	2
23	05.0117	.WASHER, .544 ID X .817 X .14 YEL	1
24	05.0116	.WASHER, .544 ID X .817 X .14 RED	1
25	95.05	.WASHER, FLAT 5/16 SAE	2
26	99.A05	.LOCKNUT, STOVER 5/16-18 USS	2

PARTS

ILLUSTRATED DRAWING

70.8239 MJ Roller Scraper Kit (Serial # 1001-6751)



PARTS

70.8239 MJ Roller Scraper Kit (Serial # 1001-6751)

REF.	PART NO.	DESCRIPTION	QTY.
1	95.04	WASHER, FLAT 1/4 SAE	6
2	99.SF04	NUT, SRF 1/4-20 USS	6
3	90.0408	BOLT, 1/4-20 USS X 1	6
4	MJ-1002	SCRAPER, REAR ROLLER MJ	3
5	MJ-6005	MOUNT, SCRAPER ROLLER HEIGHT ADJ. LH	1
6	MJ-6006	MOUNT, SCRAPER ROLLER HEIGHT ADJ. RH	1
7	MJ-6003	MOUNT, SCRAPER ROLLER HT ADJ. MID LH	2
8	MJ-6004	MOUNT, SCRAPER ROLLER HT ADJ. MID RH	2