

NB200

Brine Spray System

Serial Number NB200-AB01041 --





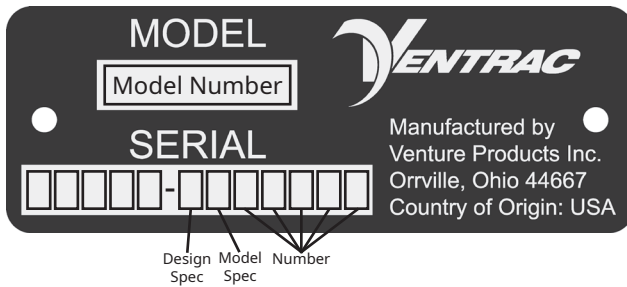
500 Venture Drive
Orrville Oh 44667
www.ventrac.com

[View all manuals](#)



Visit ventrac.com/manuals for the latest version of this parts manual. A downloadable operator's manual is also available.

Serial Number Description



Notes

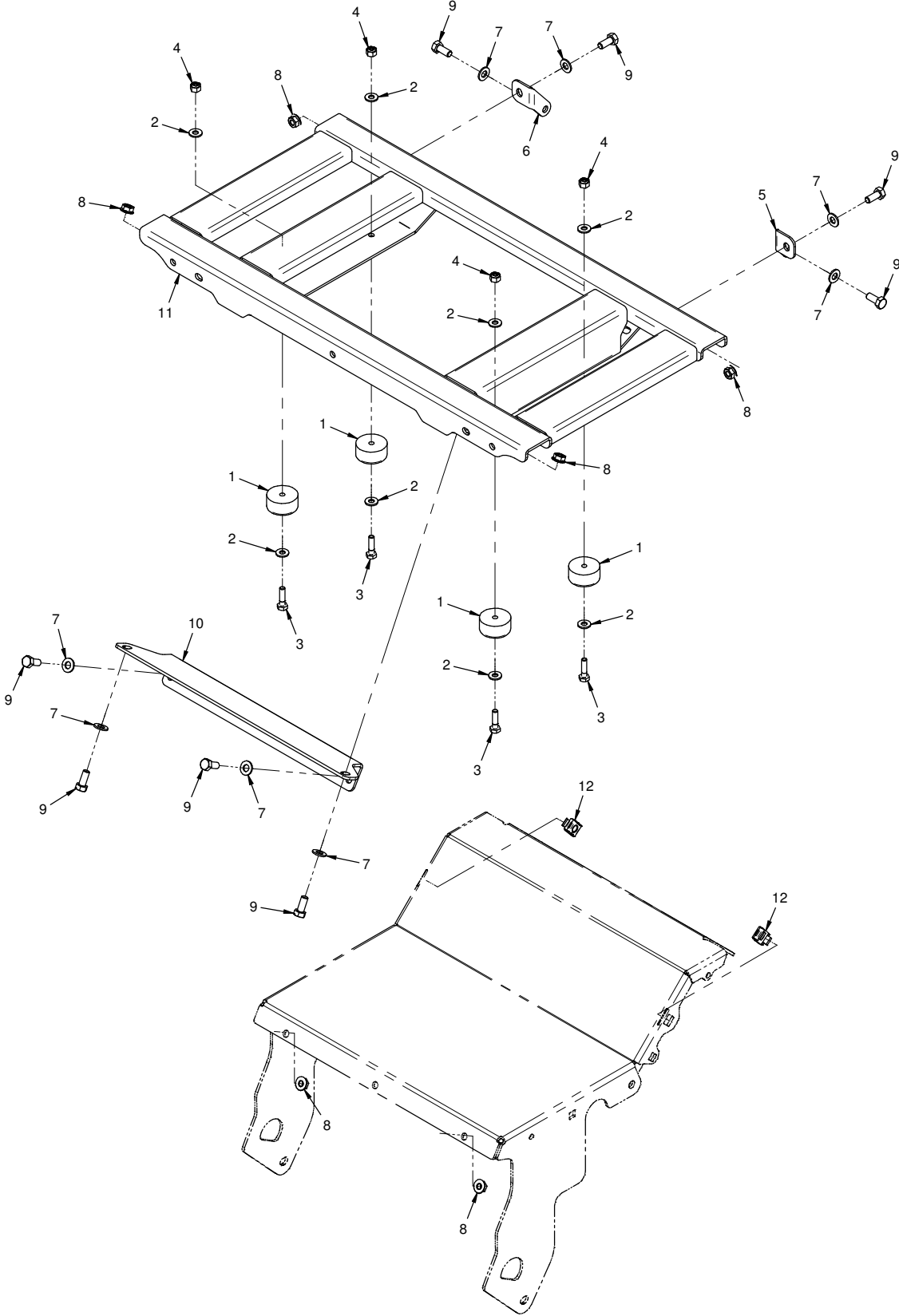
- If any component requires replacement, use only original Ventrac replacement parts.
- When ordering new components, be sure to order all required safety decals. All current safety decals must be affixed to the replacement components prior to installation of the component.

TABLE OF CONTENTS

PARTS	PAGE 4
Tank Base Frame Mount.....	4
Brine Tank & Mounting Straps.....	6
Pump Mount, Switch, & Valve Dash Mount.....	8
Brine Control Valves, Intake & Return Hose Circuit.....	10
Rear Supply Hose, Center Nozzle Hose, & Center Nozzles.....	12
Left & Right Outer Nozzles.....	14
OPTIONS	PAGE 16
70.6015 Spray Wand Kit.....	16

PARTS

ILLUSTRATED DRAWING Tank Base Frame Mount



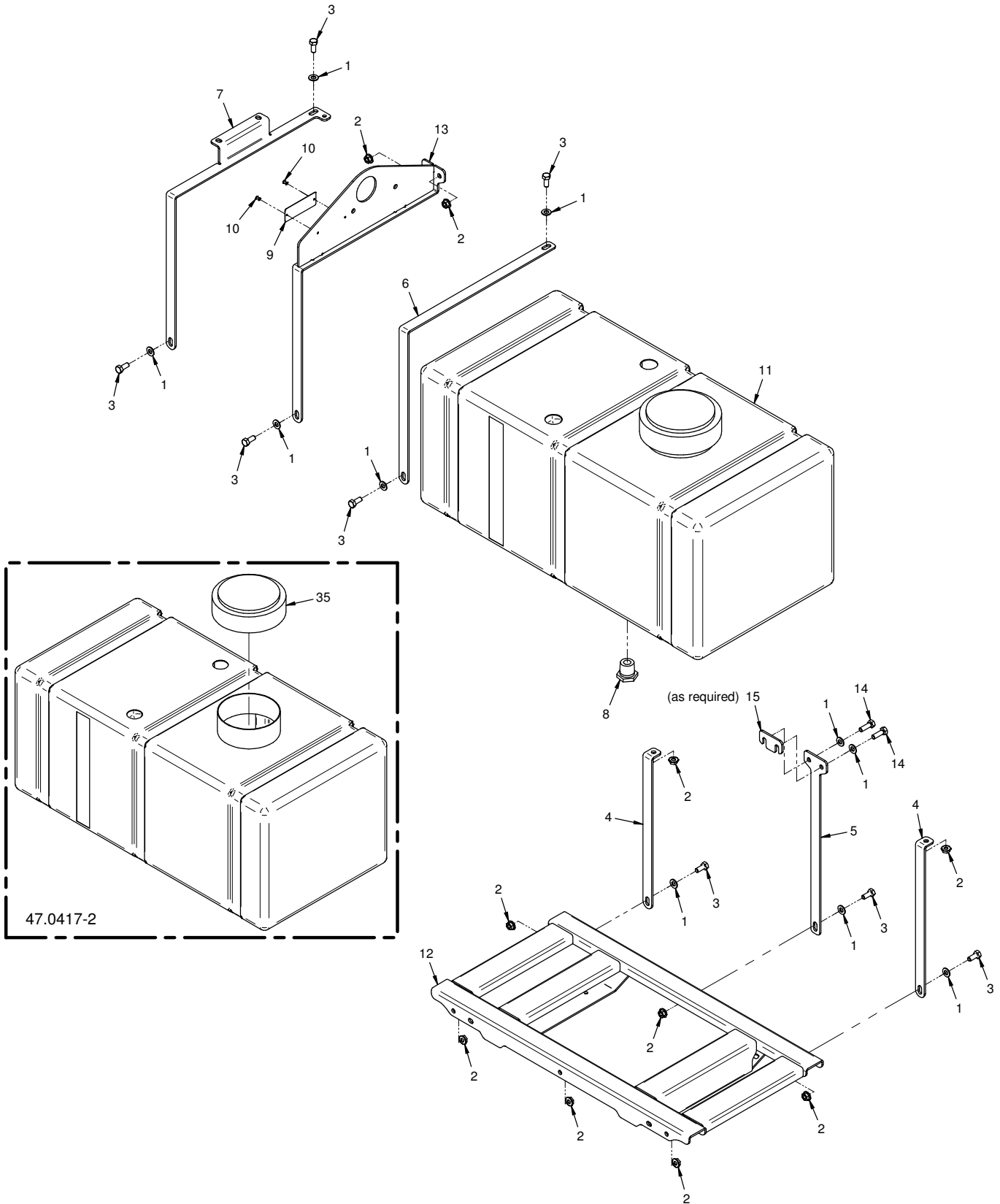
PARTS

Tank Base Frame Mount

REF.	PART NO.	DESCRIPTION	QTY.
1	05.0095	.Bumper, Rubber Cylindrical	4
2	95.04-3	.Washer, Flat 1/4 SAE SS	8
3	90.0408-3	.Bolt, 1/4-20 USS x 1 SS	4
4	99.A04N-3	.Locknut, Nylon 1/4-20 USS SS	4
5	NB-1123	.Bracket, Accessory Mount Left.	1
6	NB-1124	.Bracket, Accessory Mount Right.	1
7	95.05-3	.Washer, Flat 5/16 SAE SS	8
8	99.SF05-3	.Nut, SRF 5/16-18 USS Stainless	6
9	90.0506-3	.Bolt, 5/16-18 USS x 3/4 SS	8
10	NB-1165	.Bracket, Accessory Mount Front.	1
11	NB-6120	.Frame, Brine Tank Base	1
12	99.E0149	.Nut, Cage 5/16-18 (.127 - .162")	2

PARTS

ILLUSTRATED DRAWING Brine Tank & Mounting Straps



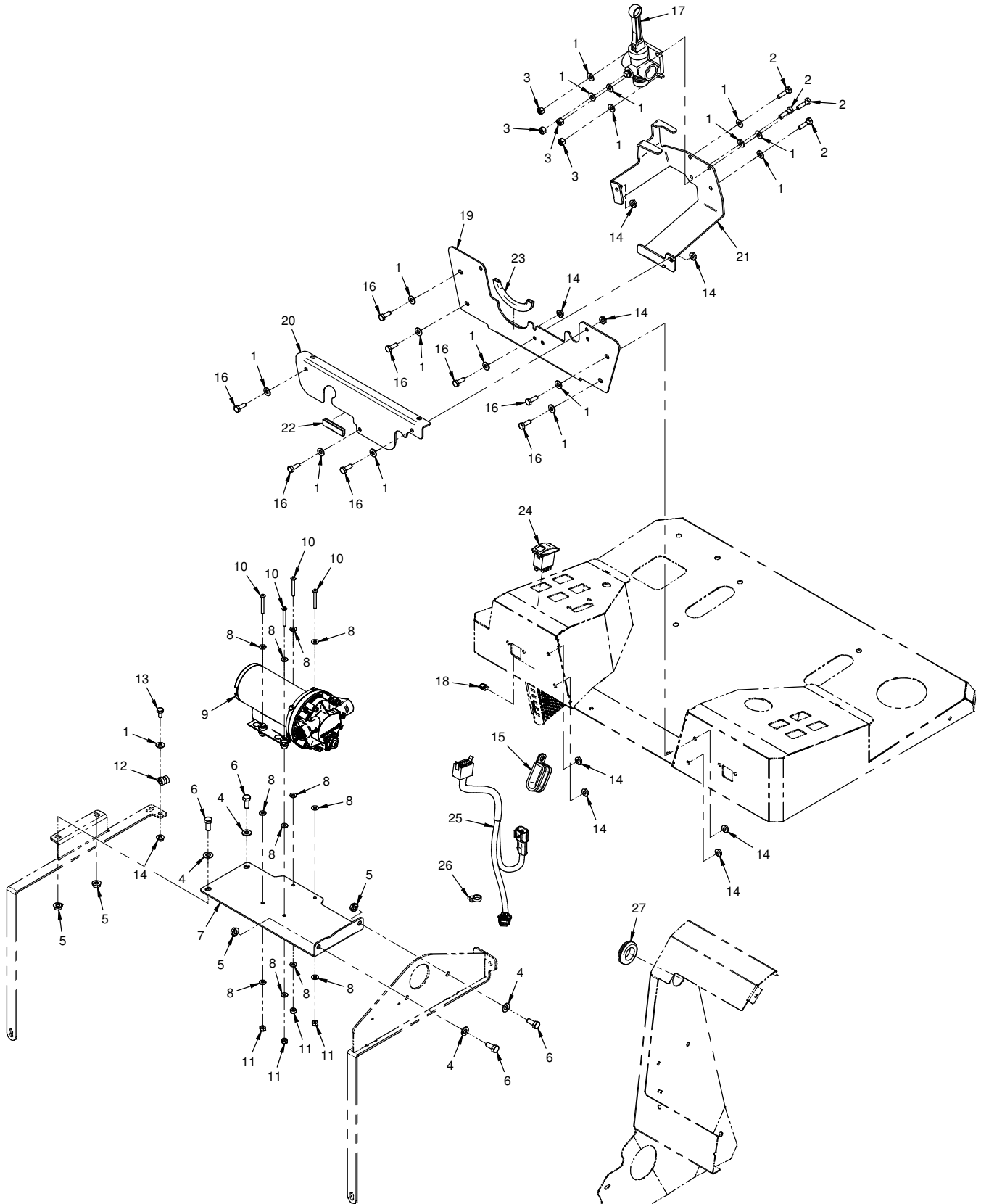
PARTS

Brine Tank & Mounting Straps

REF.	PART NO.	DESCRIPTION	QTY.
1	95.05-3	Washer, Flat 5/16 SAE SS	10
2	99.SF05-3	Nut, SRF 5/16-18 USS Stainless	10
3	90.0506-3	Bolt, 5/16-18 USS x 3/4 SS	8
4	NB-1140	Strap, Tank Mount Rear	2
5	NB-1131	Plate, Rear Center Tank Mount	1
6	NB-1125	Strap, Tank Mount Left	1
7	NB-1138	Strap, Tank Mount Right	1
8	29.0114	Fitting, Plug 3/4" MP	1
9	N/A	Plate, Ventrac Serial Number	1
10	04.0029	Rivet, Pop 1/8" X 1/4" SS	2
11	47.0417-2	Tank, Plastic 20 Gal W/Inline Ports	1
12	NB-6120	Frame, Brine Tank Base	1
13	NB-6127	Strap, Center Lift Bracket	1
14	90.0508-3	Bolt, 5/16-18 USS x 1 SS	2
15	NB-1148	Spacer, Center Mount Strap	1 (a/r)
35	47.0443	Lid, 5" W/ Spring Vent	1

PARTS

ILLUSTRATED DRAWING Pump Mount, Switch, & Valve Dash Mount



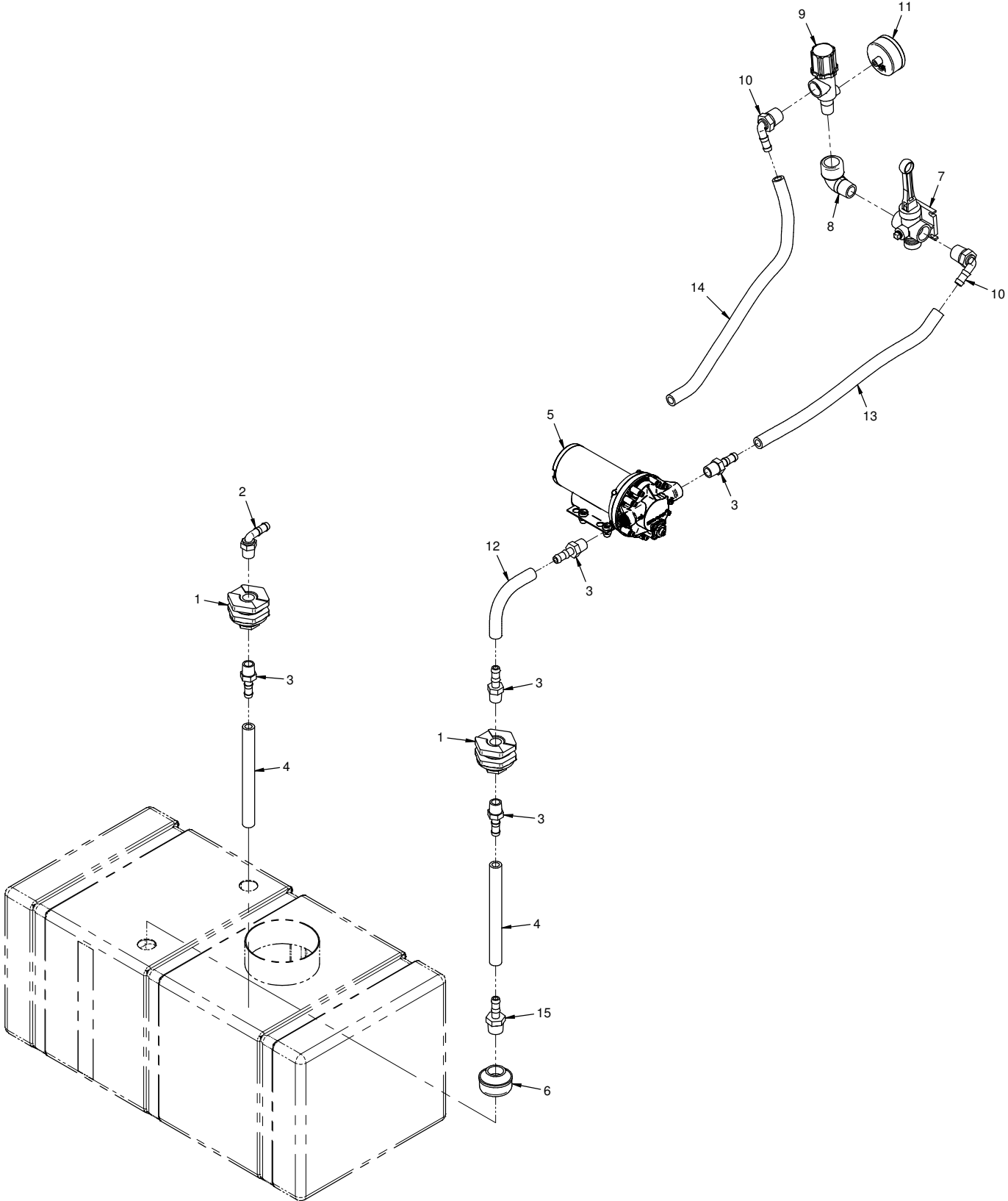
PARTS

Pump Mount, Switch, & Valve Dash Mount

REF.	PART NO.	DESCRIPTION	QTY.
1	95.04-3	.Washer, Flat 1/4 SAE SS	17
2	90.0408-3	.Bolt, 1/4-20 USS x 1 SS	4
3	99.A04N-3	.Locknut, Nylon 1/4-20 USS SS	4
4	95.05-3	.Washer, Flat 5/16 SAE SS	4
5	99.SF05-3	.Nut, SRF 5/16-18 USS Stainless	4
6	90.0506-3	.Bolt, 5/16-18 USS x 3/4 SS	4
7	NB-1170	.Plate, Pump Mount	1
8	99.B0126	.Washer, Flat #10 SS	12
9	37.0066	.Pump, 12V Bypass	1
10	99.K0154	.Machine Screw, #10-32 X 1-1/2 SS	4
11	99.A1032N	.Locknut, Nylon 10-32 Stainless	4
12	11.0058	.Clamp, Cushioned 3/8"	1
13	90.0404-3	.Bolt, 1/4-20 USS x 1/2 SS	1
14	99.SF04-3	.Nut, SRF 1/4-20 USS Stainless	9
15	11.0071	.Clamp, Cushioned 3/4" 2-Tube	1
16	90.0406-3	.Bolt, 1/4-20 USS x 3/4 SS	8
17	23.0179	.Valve, On/Off Control w/ Bypass	1
18	30.0334	.Fuse, 15 Amp Mini Blue	1
19	NT-1555	.Plate, Front Dash Mount	1
20	NT-1556	.Plate, Dash Front Cover	1
21	NB-1141	.Mount, Brine System Valve	1
22	06.0050-2IN	.Trim, Trim Loc 1/2 x 3/16 x 2"	1
23	06.0050-4.5IN	.Trim, Trim Loc 1/2 x 3/16 x 4-1/2"	1
24	31.0065	.Switch, Rocker On/Off - Lit	1
25	32.0189	.Harness, Wire NT Brine System	1
26	30.0037	.Tyton Tie, #50 .18 x 8 Black	1
27	05.0035	.Grommet, 1 ID, 1-3/4 OD, 7/16Thk	1

PARTS

ILLUSTRATED DRAWING Brine Control Valves, Intake & Return Hose Circuit



PARTS

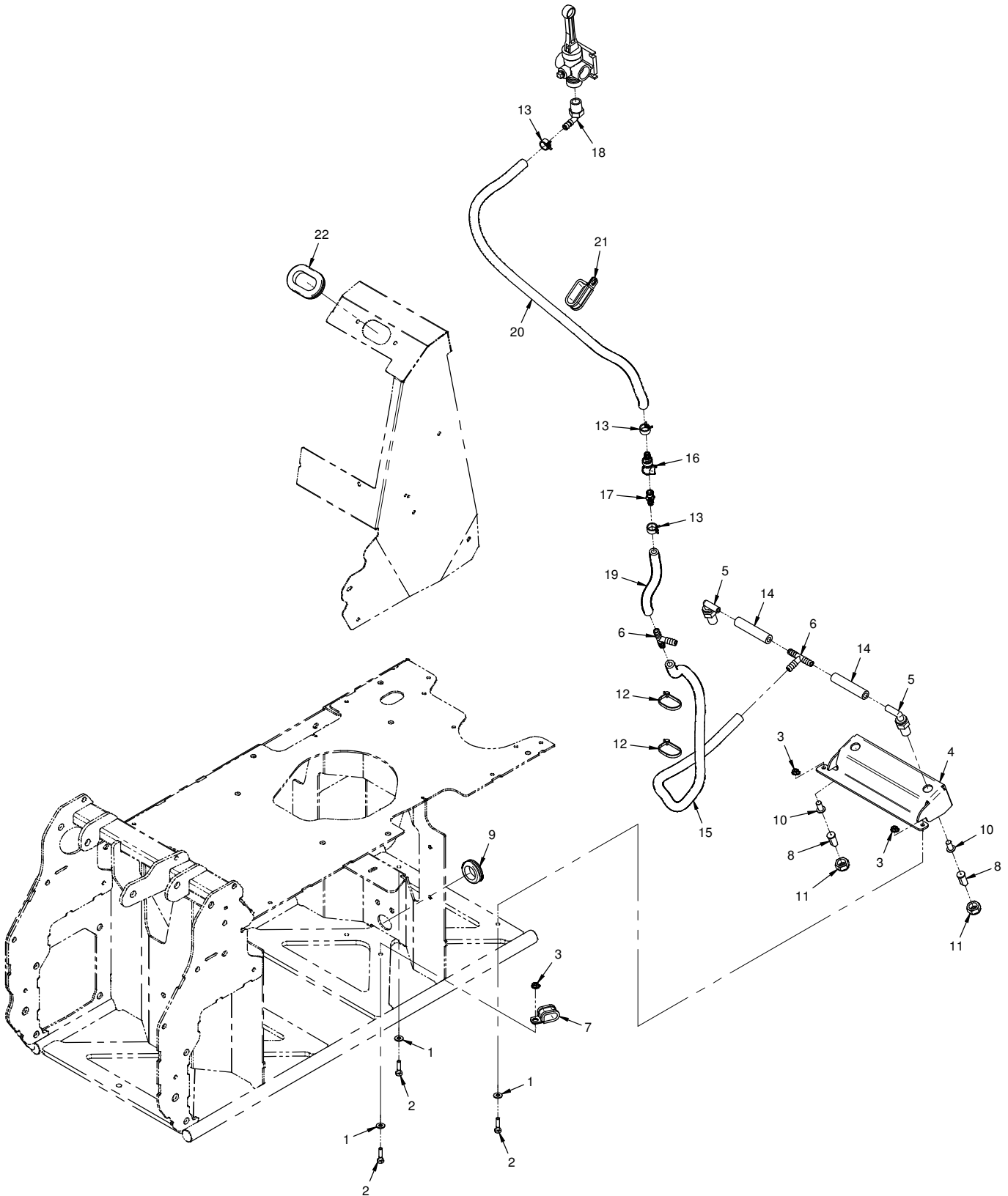
Brine Control Valves, Intake & Return Hose Circuit

REF.	PART NO.	DESCRIPTION	QTY.
1	29.0105	.Fitting, Tank 1/2" FPT	2
2	29.0107	.Fitting, 90 Elbow 1/2 MP x 1/2 Barb	1
3	29.0109	.Fitting, St 1/2 MP x 1/2 Barb	5
4	27.0005-8IN	.Hose, EPDM Black 1/2" ID x 8"	2
5	37.0066	.Pump, 12V Bypass	1
6	47.0457	.Strainer, Suction 3/4" FPT 50 Mesh	1
7	23.0179	.Valve, On/Off Control w/ Bypass	1
8	29.0111	.Fitting, Street Elbow 3/4"	1
9	23.0180	.Valve, Pressure Regulating Relief	1
10	29.0106	.Fitting, 90 Elbow 3/4 MPT x 1/2 Barb	2
11	35.0157	.Gauge, Pressure 100 PSI	1
12	27.0005-6IN	.Hose, EPDM Black 1/2" ID x 6"	1
13	27.0005-16.5IN	.Hose, EPDM Black 1/2" ID x 16-1/2"	1
14	27.0005-19IN	.Hose, EPDM Black 1/2" ID x 19"	1
15	29.0125	.Fitting, St 3/4 MP x 1/2 Barb	1

PARTS

ILLUSTRATED DRAWING

Rear Supply Hose, Center Nozzle Hose, & Center Nozzles



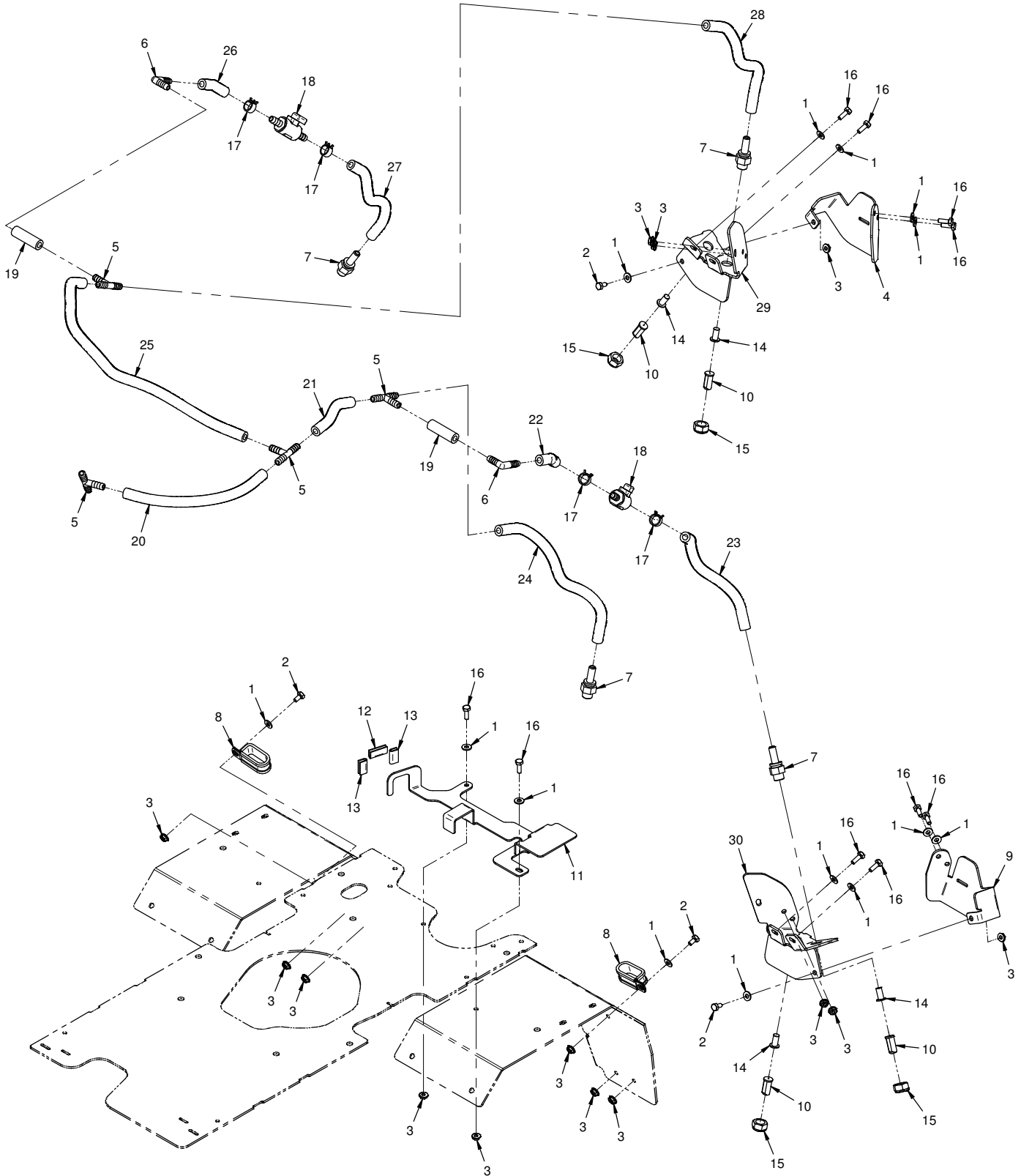
PARTS

Rear Supply Hose, Center Nozzle Hose, & Center Nozzles

REF.	PART NO.	DESCRIPTION	QTY.
1	95.04-3	Washer, Flat 1/4 SAE SS	3
2	90.0408-3	Bolt, 1/4-20 USS x 1 SS	3
3	99.SF04-3	Nut, SRF 1/4-20 USS Stainless	3
4	NB-1200	Mount, Brine Nozzle Center	1
5	47.0432	Nozzle Body, 90 Elbow	2
6	29.0115	Fitting, Tee Barb 3/8 x 3/8 x 3/8	2
7	11.0046	Clamp, Cushioned 1/2" 2-Tube	1
8	47.0439	Nozzle, 3 Hole 05 Orifice	2
9	05.0060	Grommet, 1-1/8 ID, 1-3/4 OD	1
10	47.0434	Nozzle Strainer, Check Valve	2
11	47.0435	Cap, Nozzle	2
12	30.0037	Tyton Tie, #50 .18 x 8 Black	2
13	11.0086	Clamp, Hose Band 5/8" OD Hose	3
14	27.0007-3.25IN	Hose, EPDM Black 3/8" ID x 3-1/4"	2
15	27.0007-32IN	Hose, EPDM Black 3/8" ID x 32"	1
16	29.0118	Coupler, Quick Conn 1/4" Body x 3/8" Barb	1
17	29.0119	Nipple, Quick Conn 1/4" Body x 3/8" Barb	1
18	29.0108	Fitting, 90 Elbow 1/2 MP x 3/8 Barb	1
19	27.0007-8IN	Hose, EPDM Black 3/8" ID x 8"	1
20	27.0007-31IN	Hose, EPDM Black 3/8" ID x 31"	1
21	11.0071	Clamp, Cushioned 3/4" 2-Tube	1
22	05.0071	Grommet, 1-3/4ID x 2-3/4OD x 7/16T	1

PARTS

ILLUSTRATED DRAWING Left & Right Outer Nozzles



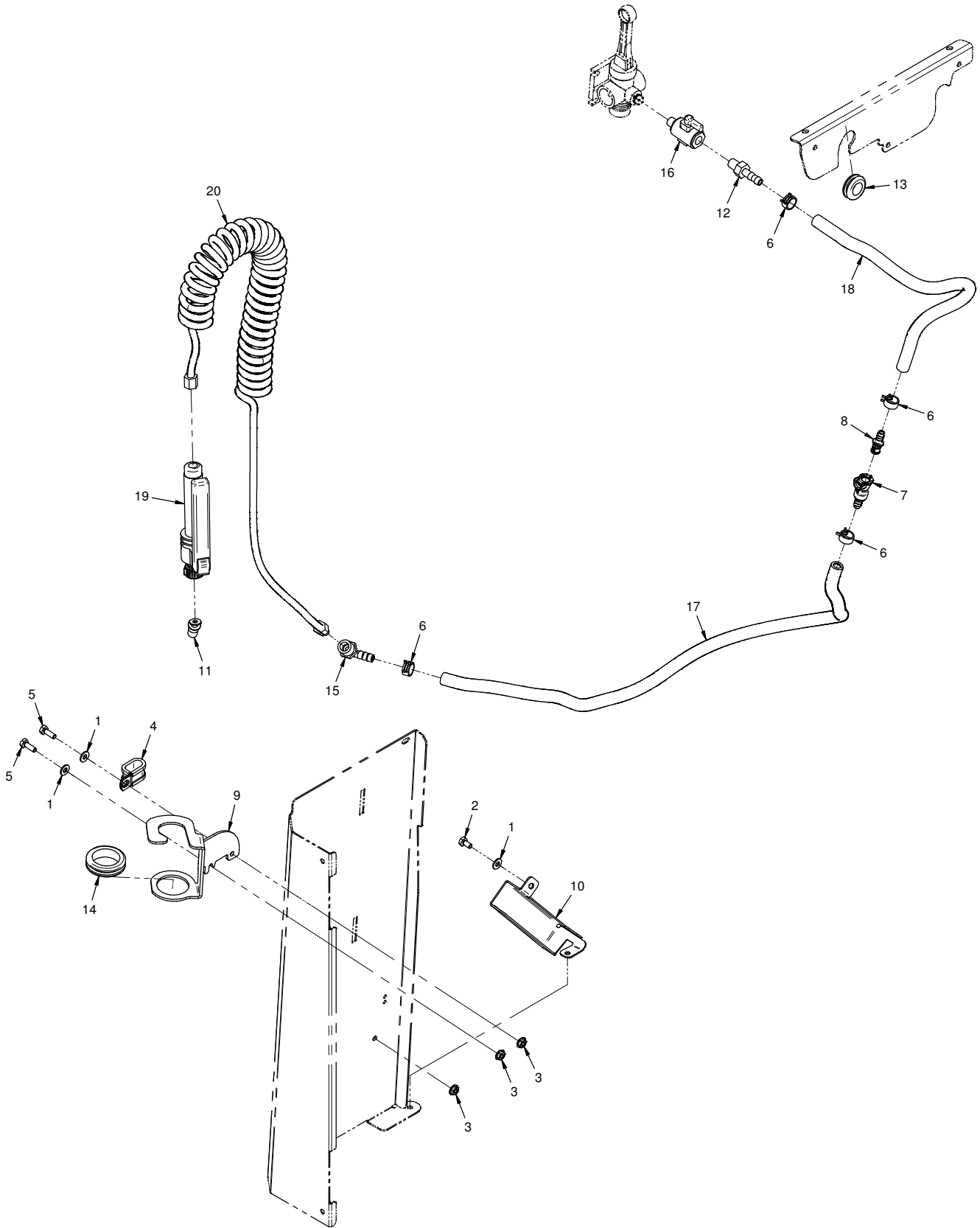
PARTS

Left & Right Outer Nozzles

REF.	PART NO.	DESCRIPTION	QTY.
1	95.04-3	Washer, Flat 1/4 SAE SS	14
2	90.0404-3	Bolt, 1/4-20 USS x 1/2 SS	4
3	99.SF04-3	Nut, SRF 1/4-20 USS Stainless	14
4	NB-1275	Shield, Brine Nozzle Right	1
5	29.0115	Fitting, Tee Barb 3/8 x 3/8 x 3/8	4
6	29.0116	Fitting, 90 Elbow 3/8 Barb	2
7	47.0431	Nozzle Body, Straight	4
8	11.0071	Clamp, Cushioned 3/4" 2-Tube	2
9	NB-1280	Shield, Brine Nozzle Left	1
10	47.0439	Nozzle, 3 Hole 05 Orifice	4
11	NB-1305	Bracket, Hose Retainer	1
12	06.0050-1.25IN	Trim, Trim Loc 1/2 x 3/16 x 1-1/4"	1
13	06.0050-1IN	Trim, Trim Loc 1/2 x 3/16 x 1"	2
14	47.0434	Nozzle Strainer, Check Valve	4
15	47.0435	Cap, Nozzle	4
16	90.0406-3	Bolt, 1/4-20 USS x 3/4 SS	10
17	11.0086	Clamp, Hose Band 5/8" OD Hose	4
18	23.0181	Valve, Micro Ball 3/8" Barb	2
19	27.0007-2.25IN	Hose, EPDM Black 3/8" ID x 2-1/4"	2
20	27.0007-7IN	Hose, EPDM Black 3/8" ID x 7"	1
21	27.0007-5IN	Hose, EPDM Black 3/8" ID x 5"	1
22	27.0007-2.5IN	Hose, EPDM Black 3/8" ID x 2-1/2"	1
23	27.0007-9.5IN	Hose, EPDM Black 3/8" ID x 9-1/2"	1
24	27.0007-14IN	Hose, EPDM Black 3/8" ID x 14"	1
25	27.0007-22IN	Hose, EPDM Black 3/8" ID x 22"	1
26	27.0007-2.5IN	Hose, EPDM Black 3/8" ID x 2-1/2"	1
27	27.0007-9.5IN	Hose, EPDM Black 3/8" ID x 9-1/2"	1
28	27.0007-14IN	Hose, EPDM Black 3/8" ID x 14"	1
29	NB-6205	Mount, Brine Nozzle Right	1
30	NB-6200	Mount, Brine Nozzle Left	1

OPTIONS

ILLUSTRATED DRAWING 70.6015 Spray Wand Kit



OPTIONS

70.6015 Spray Wand Kit

REF.	PART NO.	DESCRIPTION	QTY.
1	95.04-3	Washer, Flat 1/4 SAE SS	3
2	90.0404-3	Bolt, 1/4-20 USS x 1/2 SS	1
3	99.SF04-3	Nut, SRF 1/4-20 USS Stainless	3
4	11.0046	Clamp, Cushioned 1/2" 2-Tube	1
5	90.0406-3	Bolt, 1/4-20 USS x 3/4 SS	2
6	11.0086	Clamp, Hose Band 5/8" OD Hose	4
7	29.0118	Coupler, Quick Conn 1/4" Body x 3/8" Barb	1
8	29.0119	Nipple, Quick Conn 1/4" Body x 3/8" Barb	1
9	NB-1142	Mount, Brine Wand	1
10	NB-1144	Shield, Brine Wand Hose	1
11	47.0456	Nozzle, #12 Adjustable Spray	1
12	29.0120	Fitting, 3/8 Barb x 1/4 MP ST	1
13	05.0045	Grommet, 3/4ID, 1 3/8OD, 1/2Thk	1
14	05.0036	Grommet, 1 1/2ID, 2 1/8OD, 9/16T	1
15	29.0121	Fitting, 3/8 Barb x 1/4 FP 90	1
16	23.0187	Valve, Micro Ball 1/4" FP x MP	1
17	27.0007-34IN	Hose, EPDM Black 3/8" ID x 34"	1
18	27.0007-29IN	Hose, EPDM Black 3/8" ID x 29"	1
19	47.0455	Spray Gun W/O Nozzle	1
20	27.0008	Hose Asm, 1/4" X 10' Coiled Clear Blue	1