

Parts Manual

ED202

Edger



Revised 12/12/23
09.20089 Rev. 02



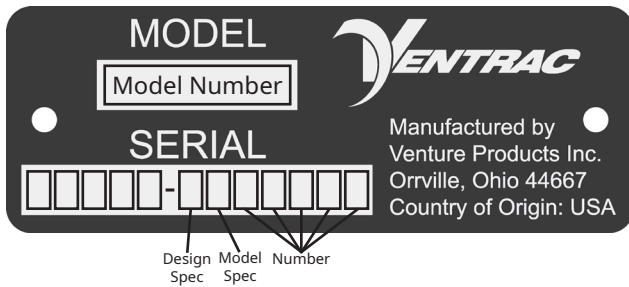
500 Venture Drive
Orrville Oh 44667
www.ventrac.com

[View all manuals](#)



Visit ventrac.com/manuals for the latest version of this parts manual. A downloadable operator's manual is also available.

Serial Number Description



Notes

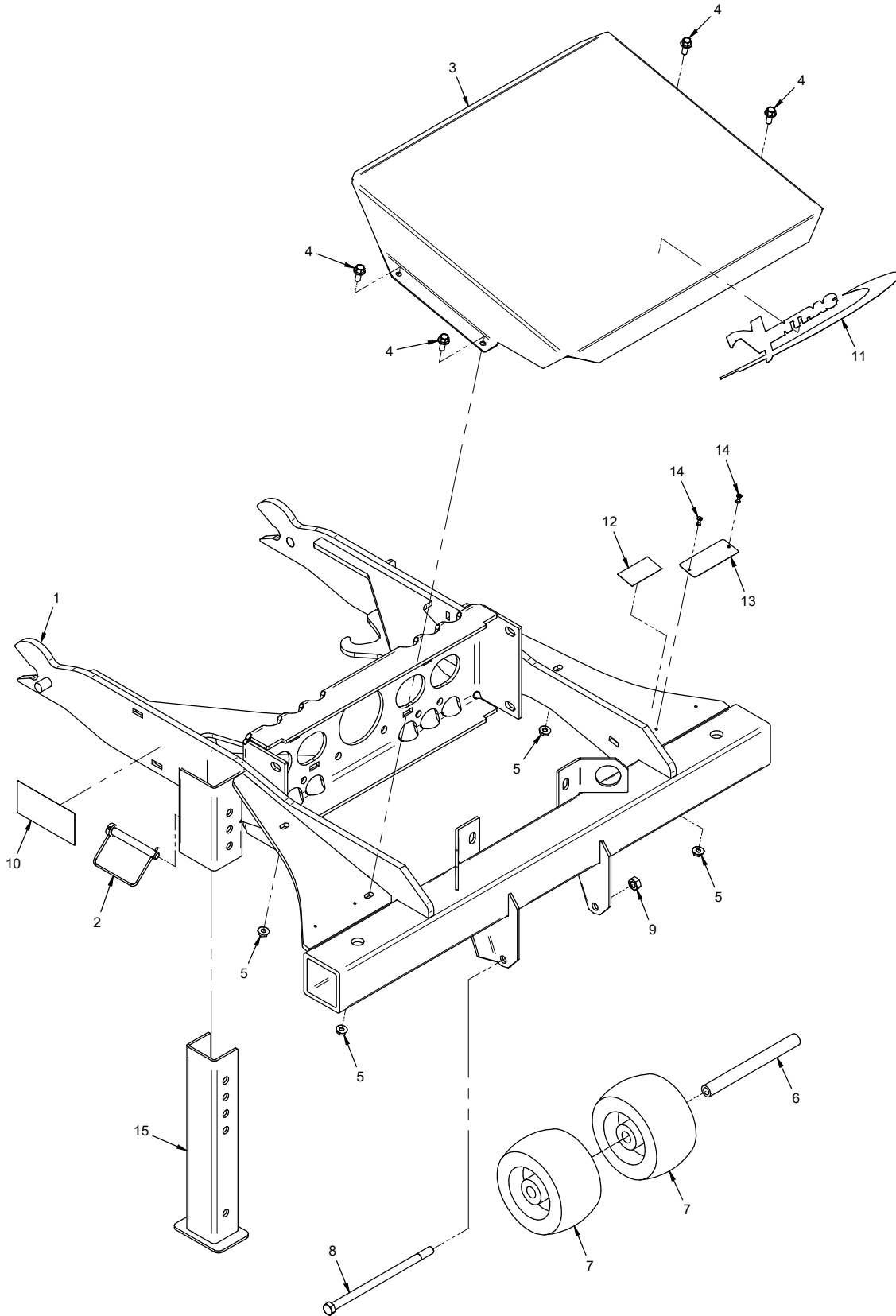
- If any component requires replacement, use only original Ventrac replacement parts.
- When ordering new components, be sure to order all required safety decals. All current safety decals must be affixed to the replacement components prior to installation of the component.

TABLE OF CONTENTS

PARTS	PAGE 4
Main Frame	4
Gauge Wheel	6
Disc Mount Frame	8
Optional Blower Frame & Inlet Screens	10
Optional Blower Housing	12
Optional Blower Drive Frame & Shields	14
Optional Blower Drive Shaft	16
Optional Blower Fan (D-Hex Spline Pulley & Spindle Shaft)	18
Optional Blower Fan (Keyed Pulley & Spindle Shaft)	20

PARTS

ILLUSTRATED DRAWING Main Frame



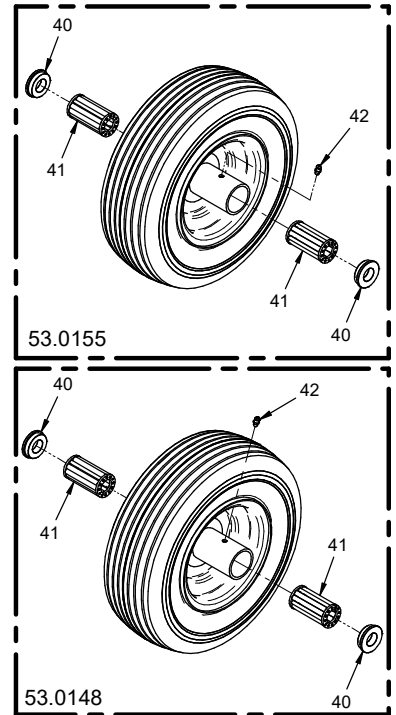
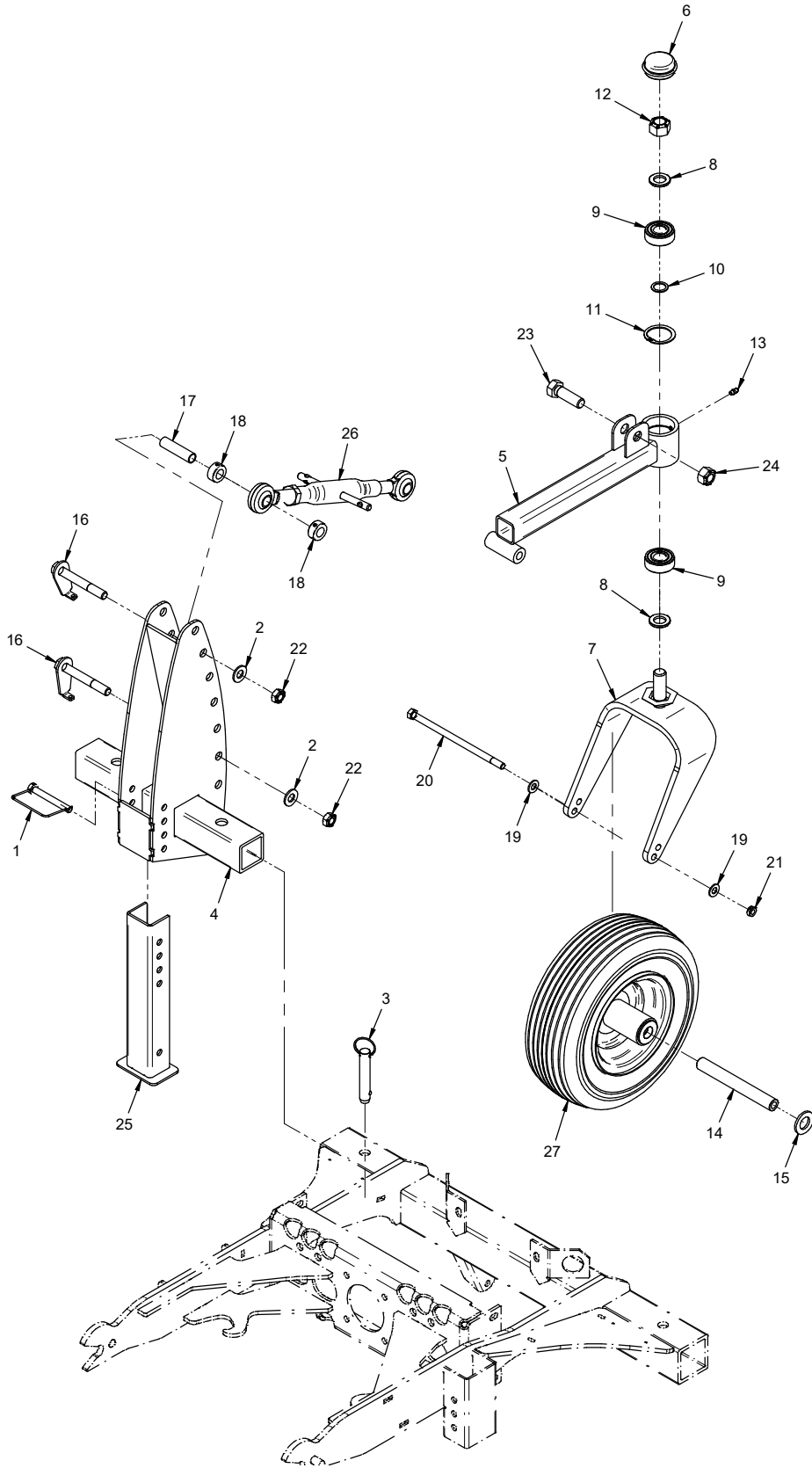
PARTS

Main Frame

REF.	PART NO.	DESCRIPTION	QTY.
1	62.1466	.FRAME, MAIN ED202	1
2	03.0015	.PIN, SAFETY SNAP 3/8 X 3"	1
3	60.0861	.SHIELD, MAIN COVER	1
4	99.SF0405-1	.BOLT, SMF 1/4-20 X 5/8	4
5	99.SF04	.NUT, SRF 1/4-20 USS	4
6	50.0170	.TUBE, RD .385 X 5/8 X 6-1/4L	1
7	50.0060	.ROLLER, 5 X 2.75 X 5/8 BORE	2
8	90.0656	.BOLT, 3/8-16 USS X 7	1
9	99.A06	.LOCKNUT, STOVER 3/8-16 USS	1
10	00.0217	.DECAL, WARNING READ OWNERS MAN (Serial # 01001-02704)	1
10	00.0619	.DECAL, READ OPERATOR'S MANUAL (Serial # 02705-)	1
11	00.0189	.DECAL, VENTRAC ORBITAL	1
12	00.0100	.DECAL, MADE IN USA	1
13	N/A	.PLATE, VENTRAC SERIAL NUMBER	1
14	04.0032	.RIVET, POP 1/8 X 1/2	2
15	62.1027	.STAND, JACK EA600	1

PARTS

ILLUSTRATED DRAWING Gauge Wheel



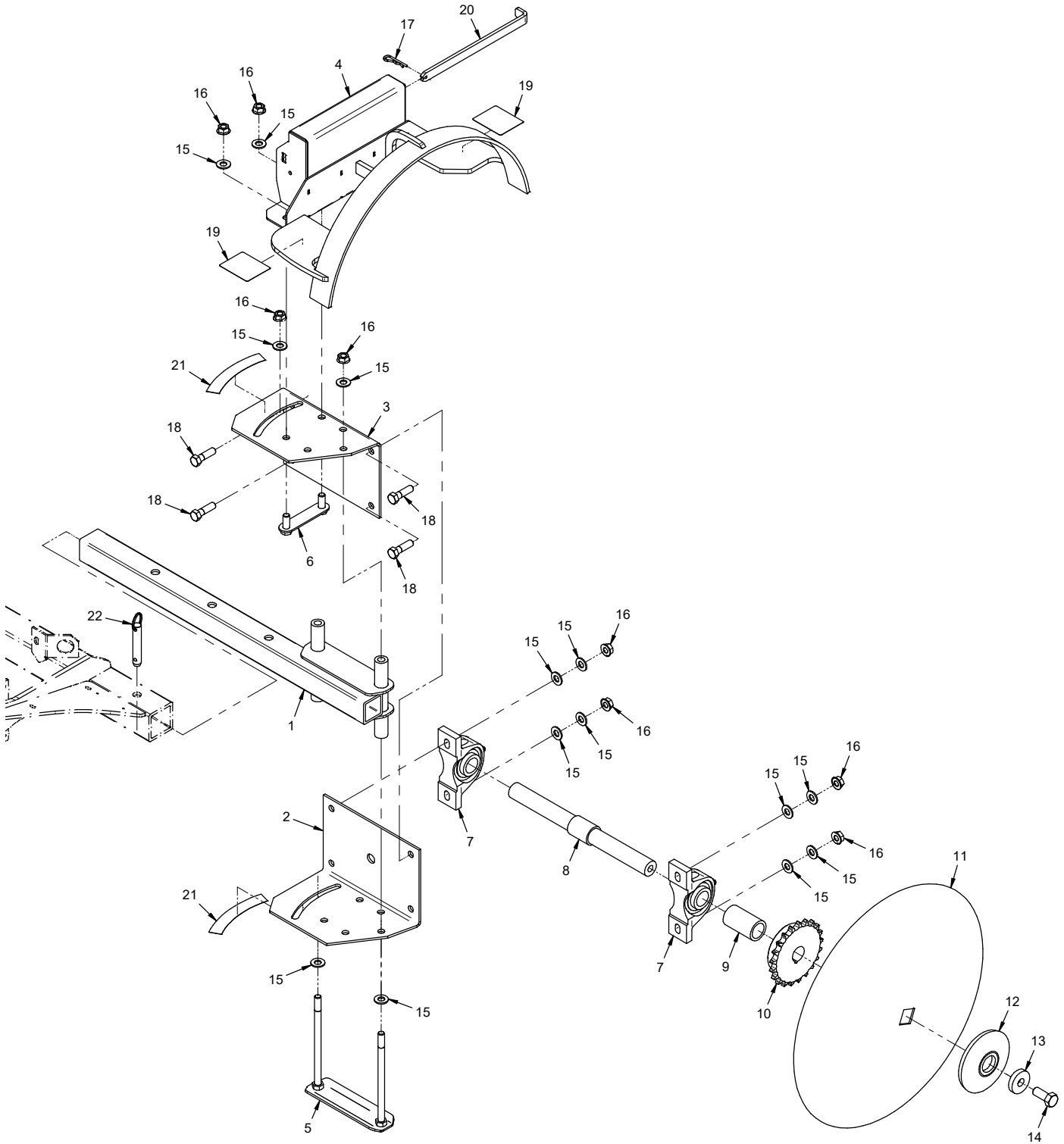
PARTS

Gauge Wheel

REF.	PART NO.	DESCRIPTION	QTY.
1	03.0015	.PIN, SAFETY SNAP 3/8 X 3"	1
2	95.08	.WASHER, FLAT 1/2 SAE	2
3	03.0013	.PIN, BALL, 5/8 X 2-1/2	1
4	62.1467	.FRAME, GAUGE WHEEL MOUNT	1
5	62.0972	.TUBE, CASTER WHEEL MOUNT	1
6	53.0080	.DUST CAP, BEARING MOWER CASTER	1
7	50.0183	.YOKE, CASTER 13", HIGH/LOW	1
8	99.B0057-2	.WASHER, MACH 3/4 X 1-1/4 10 GA	2
9	55.0023	.BEARING, BALL .75 ID X 1.78 OD	2
10	99.B0052	.SHIM, STEEL 3/4 X 1 X .062	1
11	04.0013	.SNAP RING, INT .062 X 1.75	1
12	99.A12NF	.LOCKNUT, STOVER 3/4-16 SAE	1
13	29.GF0001	.GREASE FTG, 1/4 SAE ST	1
14	50.0050	.TUBE, SWIVEL AXLE	1
15	95.12	.WASHER, FLAT 3/4 SAE	1
16	64.1072	.BOLT, WHEEL ADJUST ANCHOR	2
17	50.0171	.TUBE, RD .527 X 5/8 X 2-13/32L	1
18	85.SC11	.SET COLLAR, 11/16	2
19	95.06	.WASHER, FLAT 3/8 SAE	2
20	90.0660	.BOLT, 3/8-16 USS X 7-1/2	1
21	99.A06C	.LOCKNUT, CENTER 3/8-16	1
22	99.A08	.LOCKNUT, STOVER 1/2-13 USS	2
23	90.1016	.BOLT, 5/8-11 USS X 2	1
24	99.A10	.LOCKNUT, STOVER 5/8-11 USS	1
25	62.1027	.STAND, JACK EA600	1
26	47.0222	.TOP LINK, CAT. #0, ADJUSTABLE	1
27	53.0155	.WHEEL, ASM 13 X 5 X 6 CASTER	1
27	53.0148	.WHEEL, ASM 13x5x6 RIB FLATFREE (Optional)	1
40	55.0072	.BEARING, RETAINER 3/4"	2
41	55.0088	.BEARING, ROLLER REPLACEMENT	2
42	29.GF0001	.GREASE FTG, 1/4 SAE ST	1

PARTS

ILLUSTRATED DRAWING Disc Mount Frame



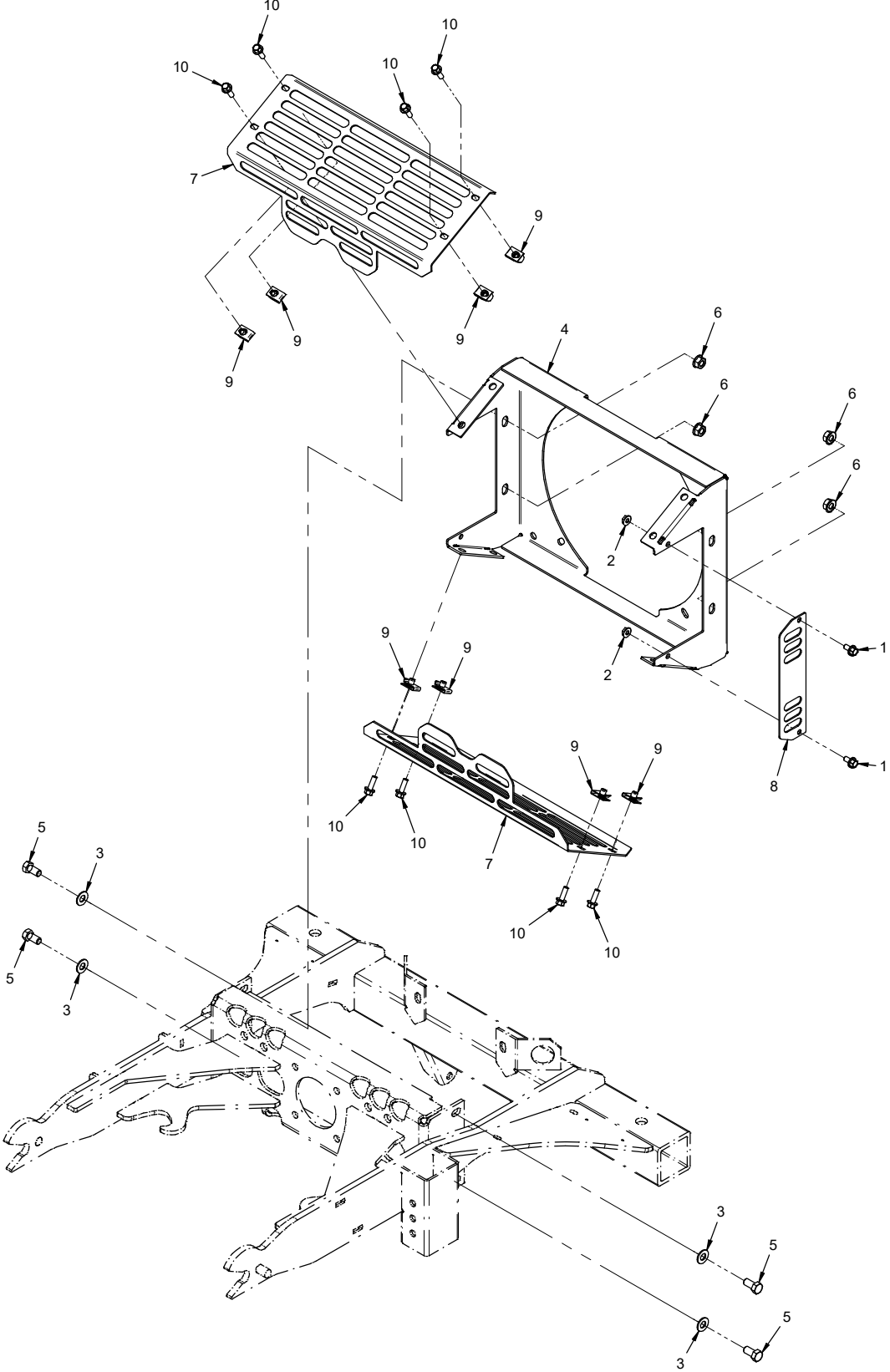
PARTS

Disc Mount Frame

REF.	PART NO.	DESCRIPTION	QTY.
1	62.0971	.FRAME, DISC MOUNT TUBE	1
2	62.1487	.FRAME, DISC BEARING MT OUTER	1
3	62.1488	.FRAME, DISC BEARING MT INNER	1
4	62.1468	.FRAME, WEIGHT BAR/DISC GUARD	1
5	64.1070	.CLAMP, DISC ADJUSTER LOCK	1
6	64.1071	.CLAMP, DISC GUARD	1
7	55.PB25020	.BEARING, PILLOW BLOCK, 1-1/4	2
8	80.0342	.SHAFT, DISC MOUNT	1
9	64.1069	.PIPE, SCH 40 1-1/4 X 2-7/8	1
10	83.H602120	.SPROCKET, #60 21T, 1-1/4 BORE	1
11	79.0066	.DISC, 20" 1-1/4 SQ HOLE	1
12	64.1067	.WASHER, 3/8 X 1.375 X 5	1
13	99.B0081	.WASHER, 3/8 X .656 X 1.875	1
14	90.1012	.BOLT, 5/8-11 USS X 1-1/2	1
15	95.08	.WASHER, FLAT 1/2 SAE	14
16	99.SF08	.NUT, SRF 1/2-13 USS	8
17	02.HP0416	.HAIRPIN, 1/8 X 2	1
18	90.0814	.BOLT, 1/2-13 USS X 1-3/4	4
19	00.0123	.DECAL, KEEP HANDS & FEET CLEAR (Serial # 01001-02704)	2
19	00.0624	.DECAL, CUTTING HAZARD HANDS AND FEET (Serial # 02705-)	2
20	64.1312	.PIN, WEIGHT RETAINER	1
21	00.0429	.DECAL, EDGER ANGLE INDICATOR	1
22	03.0013	.PIN, BALL, 5/8 X 2-1/2	1

PARTS

ILLUSTRATED DRAWING Optional Blower Frame & Inlet Screens



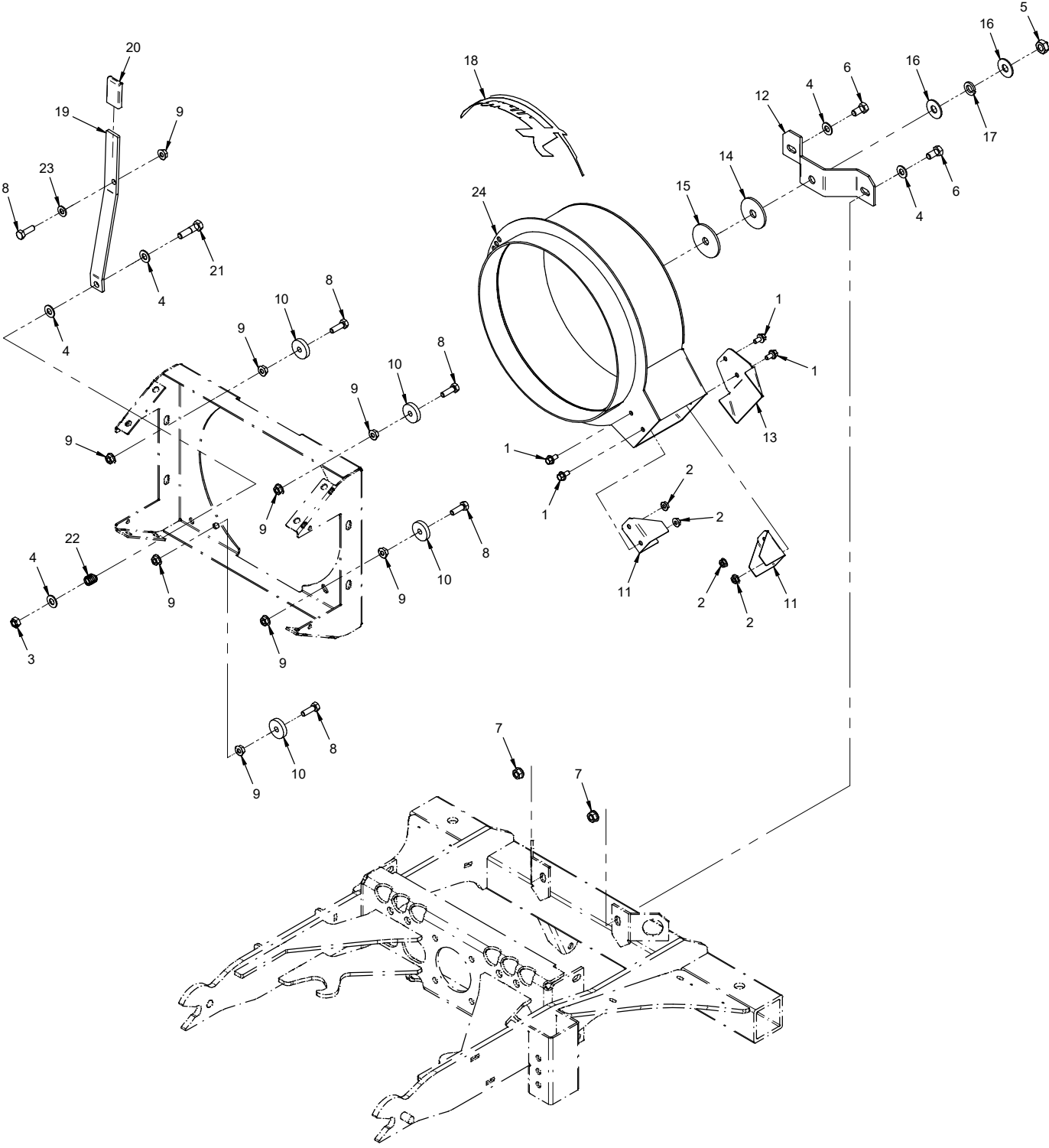
PARTS

Optional Blower Frame & Inlet Screens

REF.	PART NO.	DESCRIPTION	QTY.
1	99.SF0404-1	.BOLT, SMF 1/4-20 X 1/2	2
2	99.SF04	.NUT, SRF 1/4-20 USS.	2
3	95.06	.WASHER, FLAT 3/8 SAE	4
4	62.0974	.FRAME, AIR INLET	1
5	90.0606	.BOLT, 3/8-16 USS X 3/4	4
6	99.SF06	.NUT, SRF 3/8-16 USS.	4
7	60.0863	.SCREEN, FAN INLET.	2
8	60.0864	.SHIELD, RIGHT SIDE INTAKE	1
9	99.E0046	.NUT, "U" 1/4-20 EXTRUDED	8
10	99.SF0406-1	.BOLT, SMF 1/4-20 X 3/4	8

PARTS

ILLUSTRATED DRAWING Optional Blower Housing



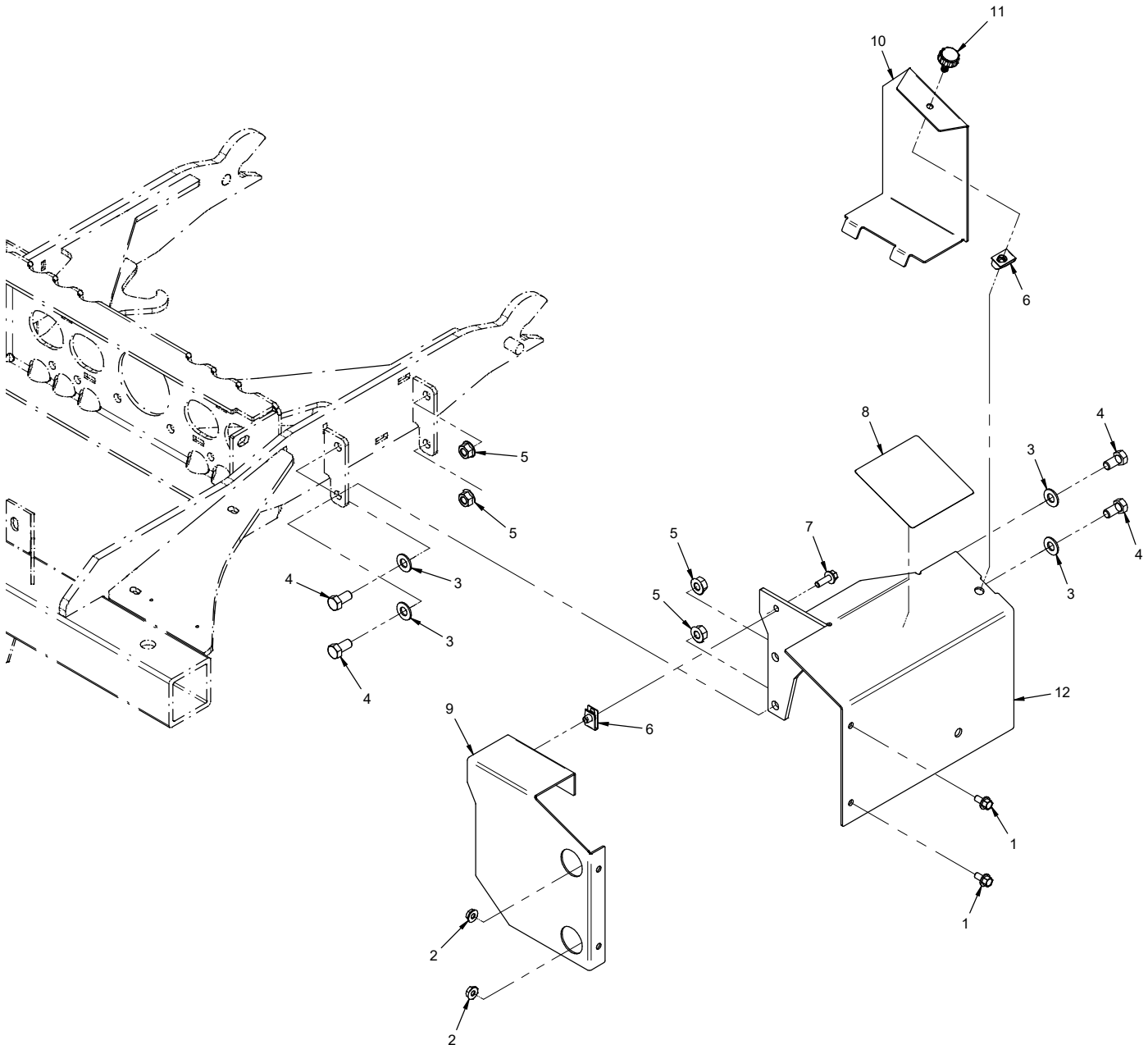
PARTS

Optional Blower Housing

REF.	PART NO.	DESCRIPTION	QTY.
1	99.SF0404-1	.BOLT, SMF 1/4-20 X 1/2	4
2	99.SF04	.NUT, SRF 1/4-20 USS	4
3	99.A06	.LOCKNUT, STOVER 3/8-16 USS	1
4	95.06	.WASHER, FLAT 3/8 SAE	5
5	99.A08	.LOCKNUT, STOVER 1/2-13 USS	1
6	90.0606	.BOLT, 3/8-16 USS X 3/4	2
7	99.SF06	.NUT, SRF 3/8-16 USS	2
8	90.0508	.BOLT, 5/16-18 USS X 1"	5
9	99.SF05	.NUT, SRF 5/16-18 USS	9
10	05.0069	.WASHER, NYLON	4
11	64.1073	.GUARD, FAN OUTLET	2
12	64.1075	.BRACKET, FRONT BLOWER MT	1
13	64.1199	.BRACKET, AIR DEFLECTOR	1
14	99.B0080	.WASHER, 17/32 X 2-1/16 10GA	1
15	05.0098	.WASHER, 1/2ID X 2-1/4OD 1/8THK	1
16	94.07	.WASHER, FLAT 7/16 USS	2
17	96.08	.WASHER, LOCK 1/2	1
18	00.0189	.DECAL, VENTRAC ORBITAL	1
19	64.1074	.ARM, ROTATION INDEX	1
20	06.0051	.CAP, 3/16 X 15/16 X 1-3/4 FE	1
21	90.0612	.BOLT, 3/8-16 USS X 1-1/2	1
22	41.0039	.SPRING, COMP. 9/16 OD X 5/8	1
23	95.05	.WASHER, FLAT 5/16 SAE	1
24	62.0975	.HOUSING, BLOWER	1

PARTS

ILLUSTRATED DRAWING Optional Blower Drive Frame & Shields



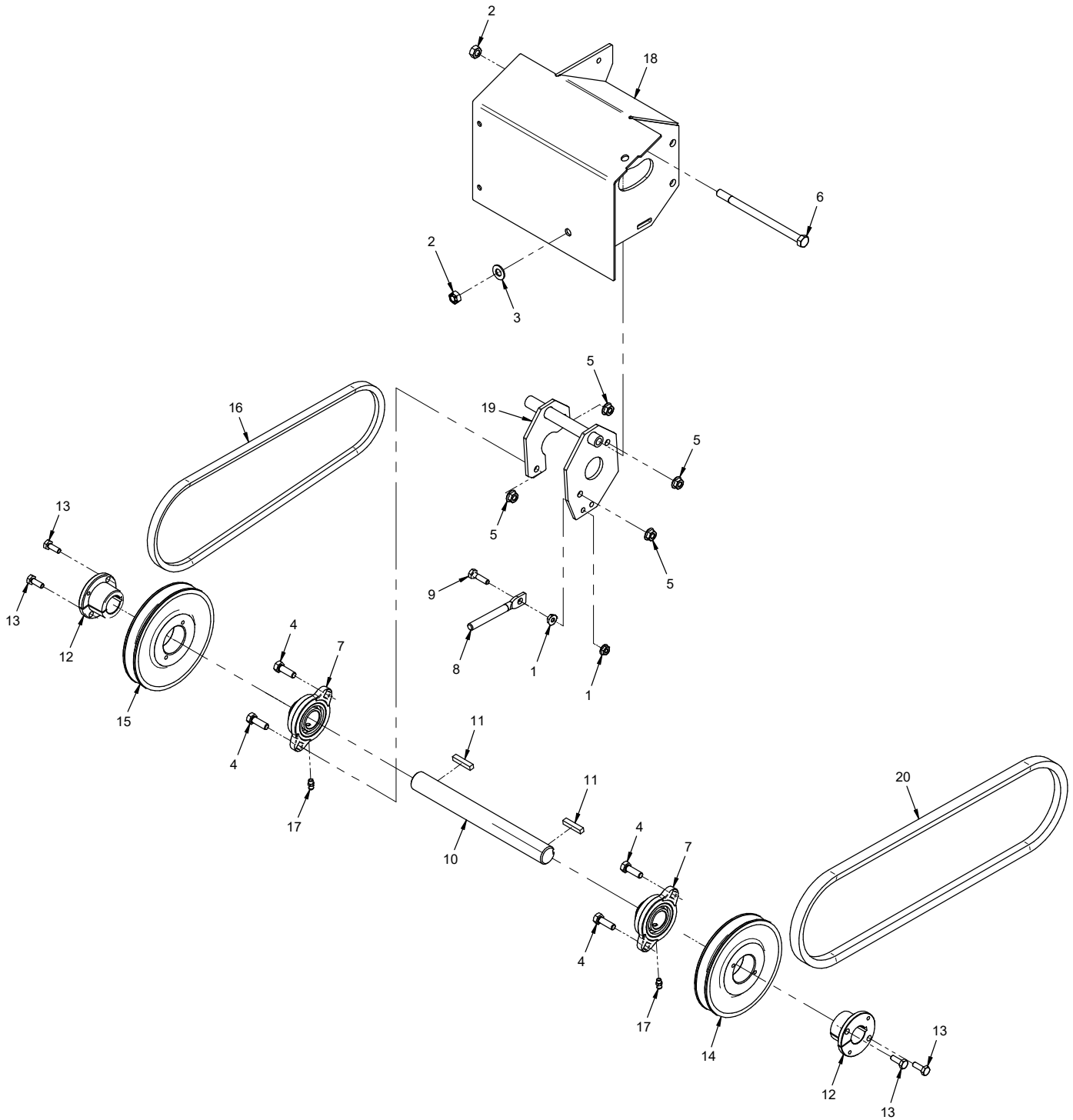
PARTS

Optional Blower Drive Frame & Shields

REF.	PART NO.	DESCRIPTION	QTY.
1	99.SF0404-1	.BOLT, SMF 1/4-20 X 1/2	2
2	99.SF04	.NUT, SRF 1/4-20 USS.	2
3	95.06	.WASHER, FLAT 3/8 SAE	4
4	90.0606	.BOLT, 3/8-16 USS X 3/4	4
5	99.SF06	.NUT, SRF 3/8-16 USS.	4
6	99.E0046	.NUT, "U" 1/4-20 EXTRUDED	2
7	99.SF0406-1	.BOLT, SMF 1/4-20 X 3/4	1
8	00.0101	.DECAL, HAZARD-MOVING PART (Serial # 01001-02704)	1
8	00.0626	.DECAL, ENTANGLEMENT HAZARD (Serial # 02705-)	1
9	60.0862	.SHIELD, FRONT J-SHAFT HOUSING	1
10	60.0865	.SHIELD, DRIVE PULLEY	1
11	47.0167	.KNOB, 1/4-20 X 1-1/4 DIA BLACK	1
12	62.0976	.FRAME, J-SHAFT HOUSING	1

PARTS

ILLUSTRATED DRAWING Optional Blower Drive Shaft



PARTS

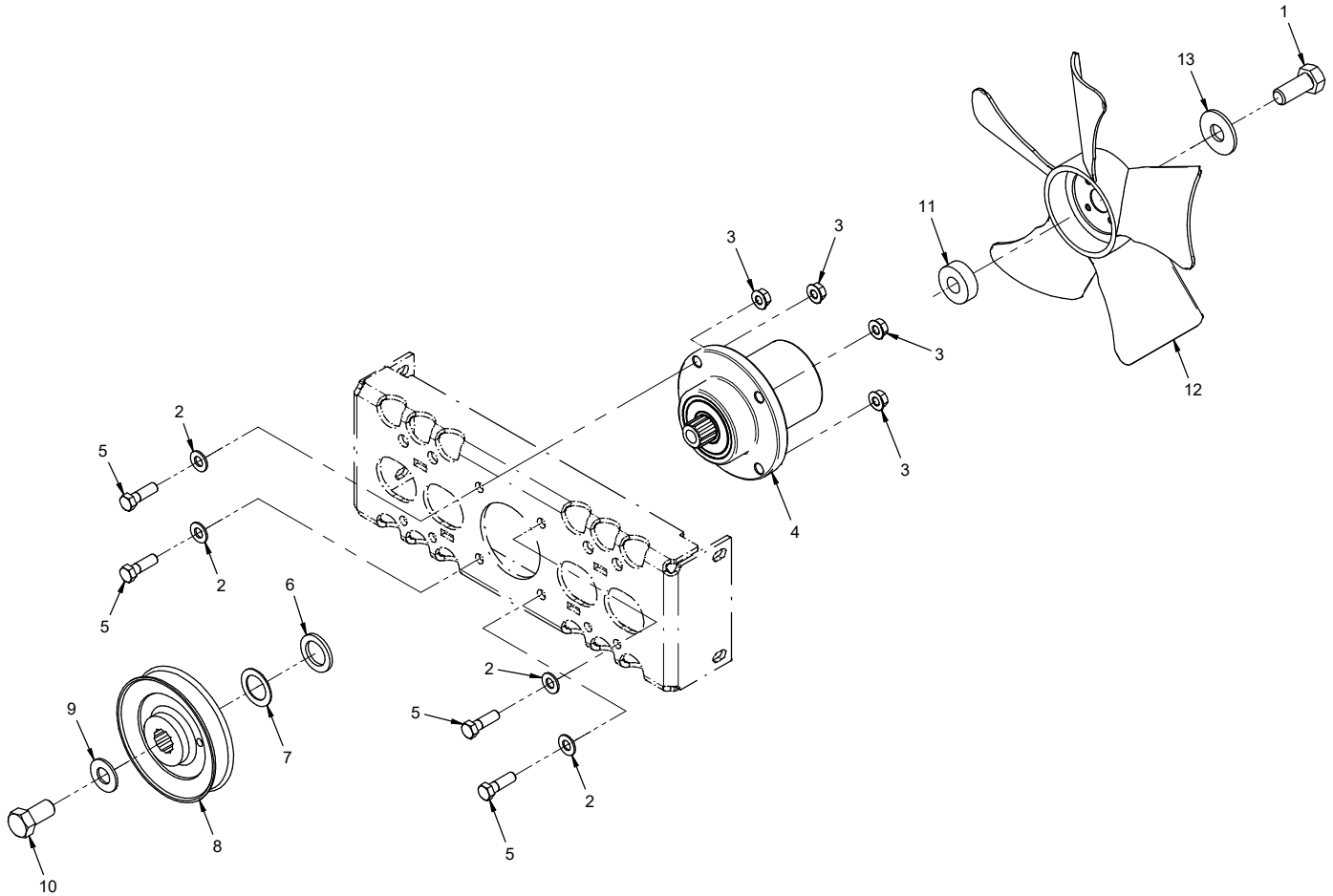
Optional Blower Drive Shaft

REF.	PART NO.	DESCRIPTION	QTY.
1	99.SF04	.NUT, SRF 1/4-20 USS	2
2	99.A06	.LOCKNUT, STOVER 3/8-16 USS	2
3	95.06	.WASHER, FLAT 3/8 SAE	1
4	90.0508	.BOLT, 5/16-18 USS X 1"	4
5	99.SF05	.NUT, SRF 5/16-18 USS	4
6	90.0648	.BOLT, 3/8-16 USS X 6	1
7	55.FB16016-1	.BEARING, FLANGE BLOCK 1"	2
8	99.K0113	.BOLT, HANGER 3/8-16 X 5	1
9	90.0408	.BOLT, 1/4-20 USS X 1"	1
10	80.0343	.SHAFT, TGP A X 9-1/2L	1
11	85.K0410	.KEY, 1/4 X 1-1/4	2
12	83.H16S	.BUSHING, 1" SPLIT 1/4" KEY	2
13	90.0406	.BOLT, 1/4-20 USS X 3/4"	4
14	83.BK55H	.PULLEY, 5.5" H-BUSHING	1
15	83.BK60H	.PULLEY, 6" H-BUSHING	1
16	81.AX037	.BELT, AX37	1
17	29.GF0001	.GREASE FTG, 1/4 SAE ST	2
18	62.0976	.FRAME, J-SHAFT HOUSING	1
19	62.0977	.MOUNT, BEARING FRAME	1
20	81.B046	.BELT, B46R	1

PARTS

ILLUSTRATED DRAWING

Optional Blower Fan (D-Hex Spline Pulley & Spindle Shaft)



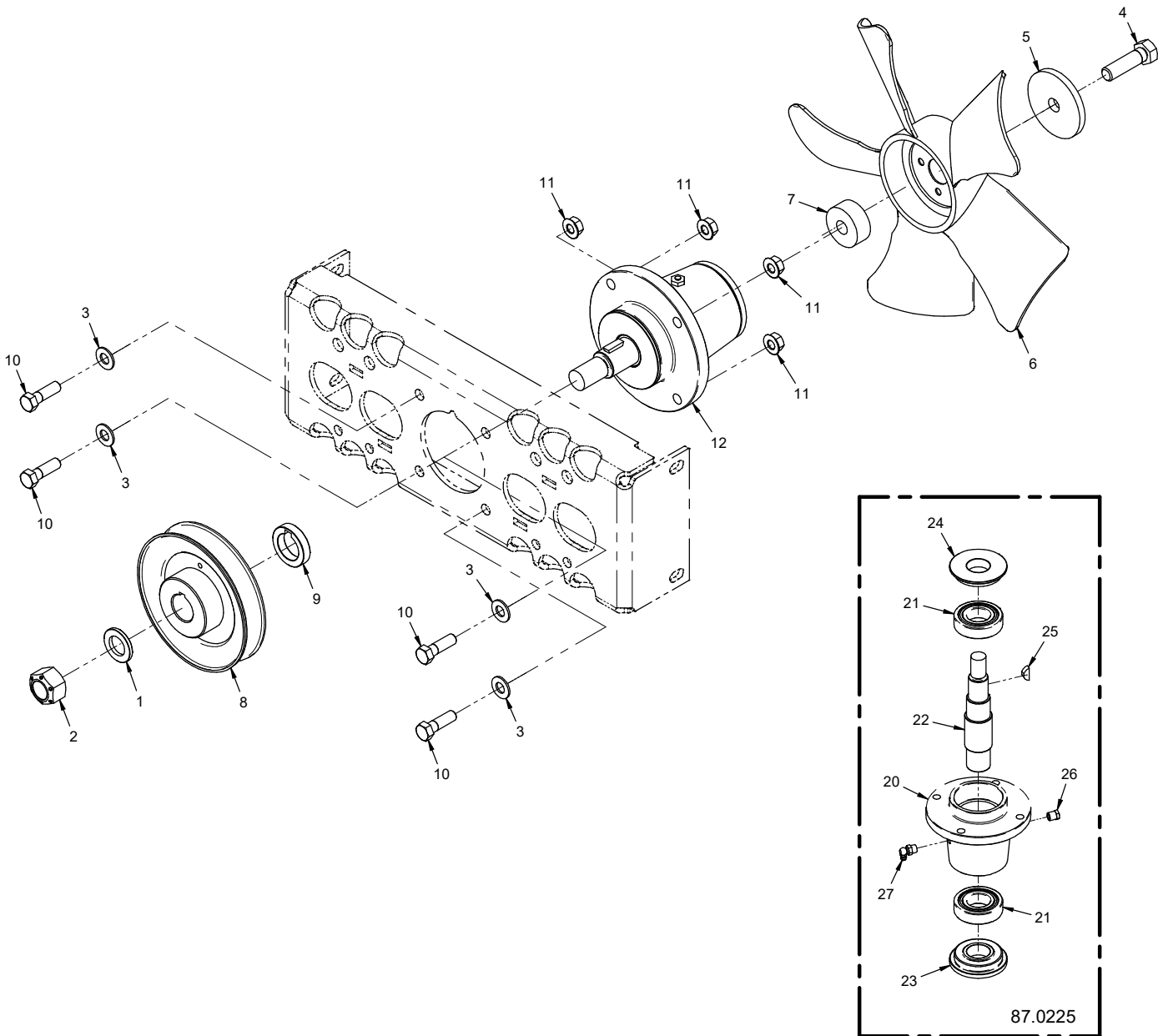
PARTS

Optional Blower Fan (D-Hex Spline Pulley & Spindle Shaft)

REF.	PART NO.	DESCRIPTION	QTY.
1	90.1012	.BOLT, 5/8-11 USS X 1-1/2	1
2	95.06	.WASHER, FLAT 3/8 SAE	4
3	99.SF06	.NUT, SRF 3/8-16 USS	4
4	87.0214	.SPINDLE, ASM RH D-HEX SHAFT	1
5	90.0610	.BOLT, 3/8-16 USS X 1-1/4	4
6	99.B0015	.WASHER, MACH 1" 10 GA.	1
7	99.B0017	.WASHER, MACH 1" 18GA	1
8	83.0033	.PULLEY, 5.2" D-HEX HUB ON TOP (no longer available, see 70.8259 for replacement)	1
9	95.10	.WASHER, FLAT 5/8 SAE	1
10	90.1010	.BOLT, 5/8-11 USS X 1-1/4	1
11	85.B0081	.BUSHING, .641 ID X 1.5 OD X .5 THK	1
12	13.0201	.FAN, VANGUARD 290MM	1
13	94.10	.WASHER, FLAT 5/8 USS	1

PARTS

ILLUSTRATED DRAWING Optional Blower Fan (Keyed Pulley & Spindle Shaft)



PARTS

Optional Blower Fan (Keyed Pulley & Spindle Shaft)

REF.	PART NO.	DESCRIPTION	QTY.
1	99.B0057-2	WASHER, MACH 3/4 X 1-1/4 10 GA ZP	1
2	99.A12NF	LOCKNUT, STOVER 3/4-16 SAE	1
3	95.06	WASHER, FLAT 3/8 SAE	4
4	91.0814-8	BOLT, 1/2-20 X 1-3/4 GR8	1
5	99.B0091	WASHER, .510 ID X 2-1/2 OD 1/4	1
6	13.0201	FAN, VANGUARD 290MM	1
7	85.B0100	BUSHING, .516 ID X 1-1/2 OD X 5/8T	1
8	83.0050	PULLEY, 5-1/8, 25MM STR. BORE	1
9	85.B0080	BUSHING, 1-1/2 OD, 1 ID	1
10	90.0610	BOLT, 3/8-16 USS X 1-1/4	4
11	99.SF06	NUT, SRF 3/8-16 USS	4
12	87.0225	SPINDLE, ASM RH 25MM CI	1
20	87.0225-1	HOUSING, SPINDLE CI	1
21	55.0070	BEARING, 30MM X 62MM X 16MM	2
22	87.0225-2	SHAFT, SPINDLE RH	1
23	87.0224-3	SHIELD, SPINDLE BOTTOM	1
24	87.0225-3	SHIELD, SPINDLE TOP	1
25	85.W0406	KEY, WOODRUFF 1/4 X 3/4, #806 SAE SIZE	1
26	29.GF0017	FITTING, RELIEF	1
27	29.GF0005	GREASE FTG, 1/8 NPT 90	1

Note: Reference numbers 3, 6, 10, and 11 are not included in Kit # 70.8259 ED Pulley and Spindle Conversion. These items are reused from the original spindle.