



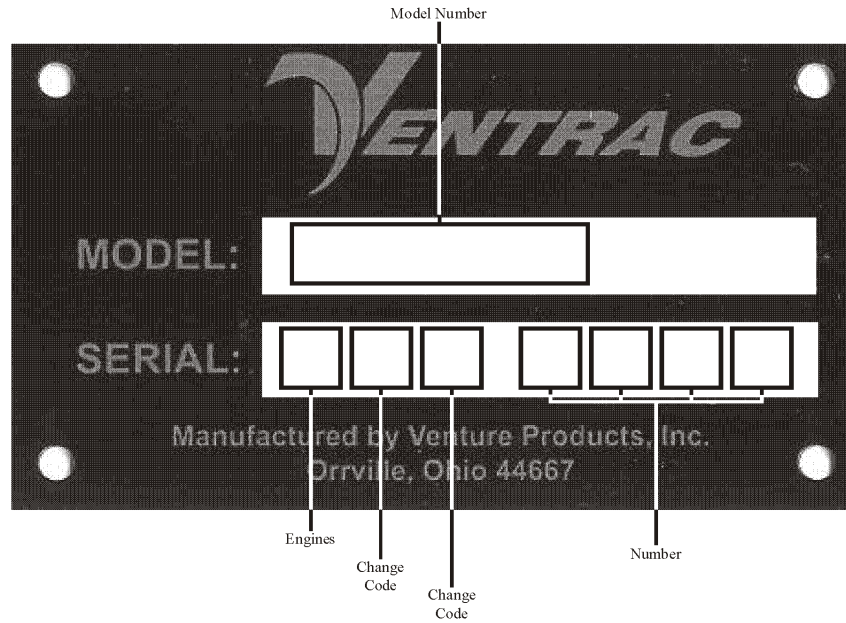
## PARTS MANUAL

# VENTRAC

3000



# SERIAL NUMBER PLATE



**Engines** -first serial position

H - KAWASAKI 19 HP AIR-COOLED GAS  
J - KAWASAKI 21 HP AIR-COOLED GAS

**Transaxles** - third serial position

A - Low speed "3000" series  
B - High speed "1700" series

---

# TABLE OF CONTENTS

---

<b>DECALS</b>	<b>Section A</b>
Replacement Decals . . . . .	A 1 - 3
<b>ELECTRICAL</b>	<b>Section B</b>
Wiring Diagram (Serial # 1010-1080) . . . . .	B 1
Wiring Diagram (Serial # 1081-1130) . . . . .	B 2
Wiring Diagram (Serial # 1131-1345) . . . . .	B 3
Wiring Diagram (Serial # 1346-1513) . . . . .	B 4
Wiring Diagram (Serial # 1514 --) . . . . .	B 5
<b>HYDRAULICS</b>	<b>Section C</b>
Hydraulic Diagram . . . . .	C 1 - 2
Hydraulic Steering . . . . .	C 3 - 4
Hydraulic Lift . . . . .	C 5 - 8
<b>ENGINE</b>	<b>Section D</b>
Engine Mount. . . . .	D 1 - 2
Fuel System . . . . .	D 3 - 4
<b>FRAME, DRIVE PARTS, AXLES</b>	<b>Section E</b>
Front Frame . . . . .	E 1 - 2
Front Dash & Covers . . . . .	E 3 - 4
Rear Frame. . . . .	E 5 - 6
Rear Fenders & Shields . . . . .	E 7 - 8
Front Hitch Assembly . . . . .	E 9 - 10
Control Linkage . . . . .	E 11 - 12
Park Brake Linkage . . . . .	E 13 - 14
Seat Assembly. . . . .	E 15 - 16
Vertical Shaft & Pulley Assembly . . . . .	E 17 - 18
328-3000 Front Transaxle (Serial # 1010-1999). . . . .	E 19 - 20
327-3000 Rear Transaxle (Serial # 1010-1999) . . . . .	E 21 - 22
314-1700 Front Transaxle (Serial # 2001--). . . . .	E 23 - 24
313-1700 Rear Transaxle (Serial # 2001--). . . . .	E 25 - 26
Transaxle/Frame Mount & Tires . . . . .	E 27 - 28
Foot Pedal . . . . .	E 29 - 30
<b>OPTIONS</b>	<b>SECTION F</b>
Roll Cage . . . . .	F 1 - 2
Left Foot Pedal . . . . .	F 3 - 4
12v Switch & Plug . . . . .	F 5 - 6
Axle Seal Guard . . . . .	F 7 - 8
Rear Weight Bracket . . . . .	F 7 - 8

# PARTS

## DECALS

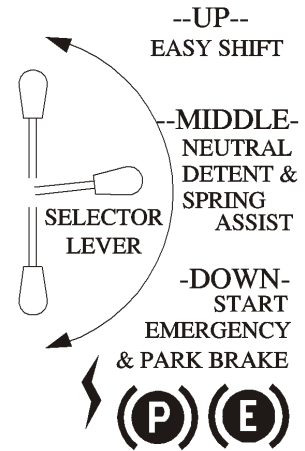
HYDROSTATIC OIL



ENGINE OIL



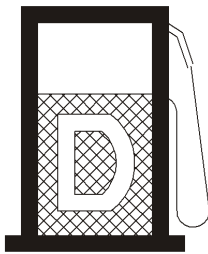
**ALWAYS**  
PUT SELECTOR LEVER  
IN PARK POSITION  
BEFORE DISMOUNTING



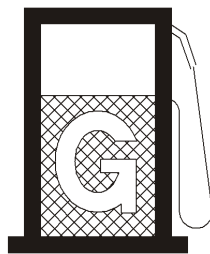
HYDROSTATIC OIL ONLY

GLOW LIGHT

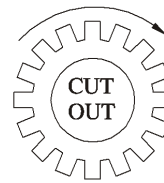
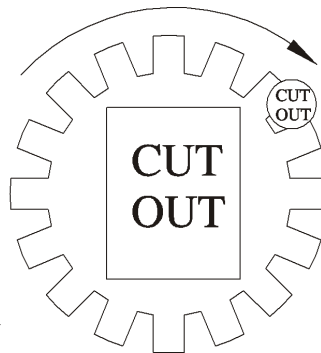
PTO LIGHT



DIESEL FUEL



GASOLINE FUEL



**△ CAUTION △ CAUTION △**

**OPERATE ONLY:**

- \* AFTER READING AND UNDER-
- \* WHEN HEALTHY AND ALERT.
- \* IN WELL VENTILATED AREAS.
- \* WELL MAINTAINED EQUIPMENT.
- \* WITH ALL GUARDS IN PLACE.
- \* RESPONSIBLY.

**DO NOT OPERATE:**

- \* WHEN IMPAIRED.
- \* ON SLOPES GREATER THAN 20 DEGREES.
- \* WITH RIDERS.
- \* RECKLESSLY.
- \* IN A MANNER THAT WILL COMPROMISE SAFETY.

**△ !SHARP TURNS REDUCE VEHICLE STABILITY!  
!ROLL BAR PROTECTION IS RECOMMENDED ON SLOPES! △**

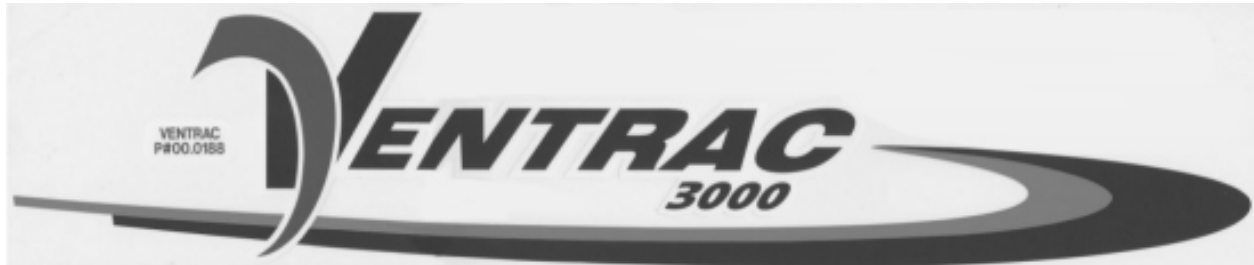
00.0150

# PARTS

## DECALS



00.0189



00.0188



00.0192



00.0190



00.0187

# PARTS

## DECALS



00.0101



00.0102



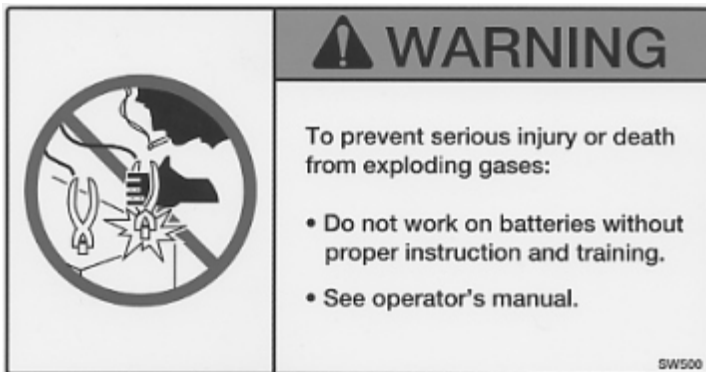
00.0121



not available

*Patent Pending*

00.0149



00.0124



00.0152



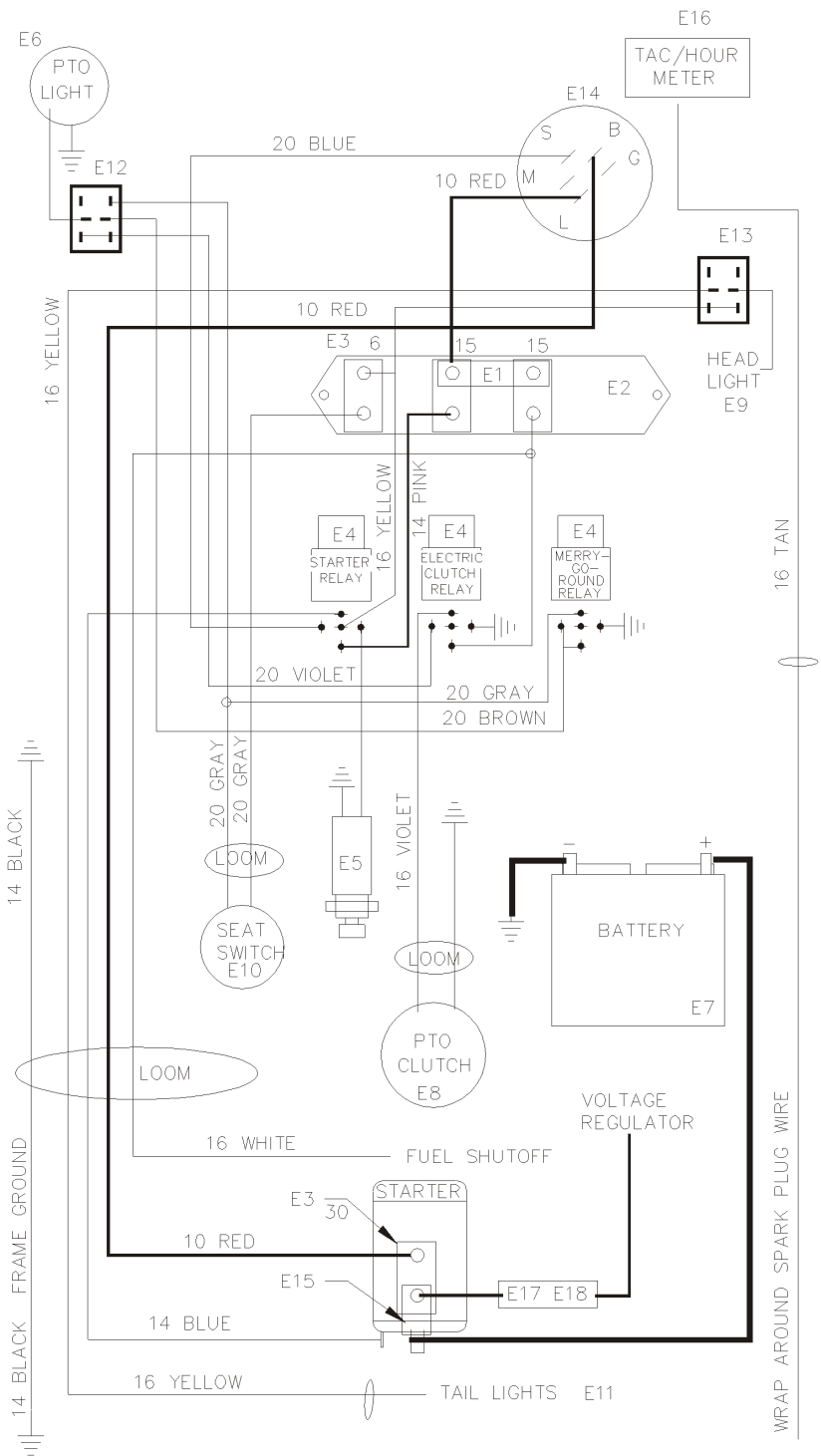
00.0148

# PARTS

## ILLUSTRATED DRAWING 19 HP KAWASAKI ELECTRICAL DIAGRAM

E1	1	30.0155	BUSS BAR (2 GANG)
E2	2	30.0156	CB BRACKET (4 GANG)
E3	1	30.0153	6 AMP CIRCUIT BREAKER
	2	30.0114	15 AMP CIRCUIT BREAKER
	1	30.0120	30 AMP CIRCUIT BREAKER
E4	3	35.0089	RELAY 5 POLE
E5	1	31.0031	NEUTRAL SAFETY SWITCH
E6	1	33.0020	PTO LIGHT
E7	1	33.0030	BATTERY
E8	1	37.0048	PTO CLUTCH
E9	1	33.0021	HEAD LIGHT
E10	1	31.0033	SEAT SWITCH
E11	2	33.0022	TAIL LIGHTS
E12	1	31.0022	PTO SWITCH
E13	1	31.0022	LIGHT SWITCH
E14	1	13.0078	IGN. SWITCH
E15	1	64.0861	ATTACHMENT CLIP
E16	1	35.0098	TAC/HOUR METER
E17	1	30.0004M	FUSE HOLDER
E18	1	30.0179	20 AMP FUSE

SERIAL # 1010-1080

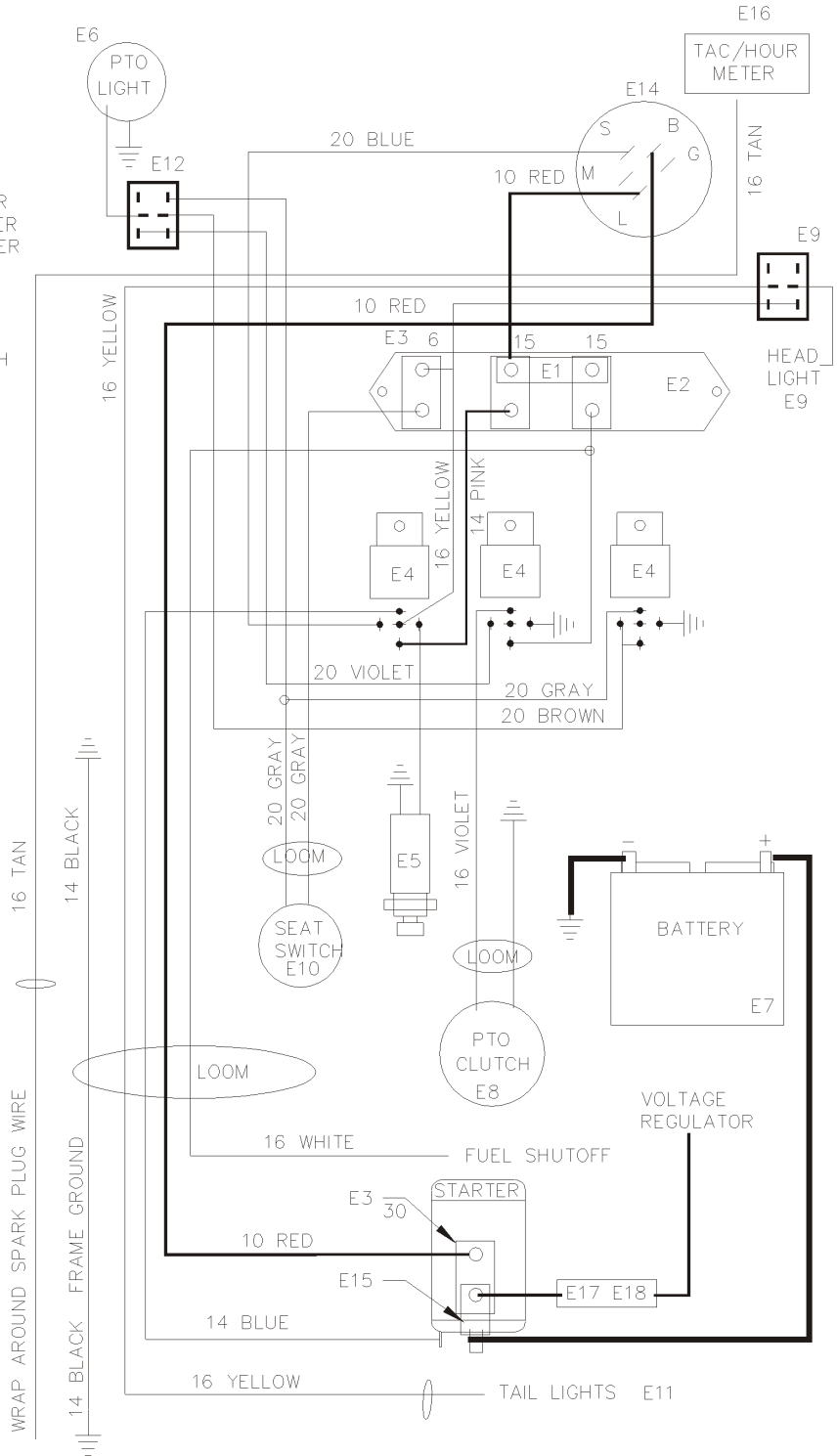


# PARTS

## ILLUSTRATED DRAWING 19 HP KAWASAKI ELECTRICAL DIAGRAM

E1	1	30.0155	BUSS BAR (2 GANG)
E2	2	30.0156	CB BRACKET (4 GANG)
E3	1	30.0153	6 AMP CIRCUIT BREAKER
	2	30.0114	15 AMP CIRCUIT BREAKER
	1	30.0120	30 AMP CIRCUIT BREAKER
E4	3	35.0089	RELAY 5 POLE
E5	1	31.0031	NEUTRAL SAFETY SWITCH
E6	1	33.0020	PTO LIGHT
E7	1	33.0030	BATTERY
E8	1	37.0048	PTO CLUTCH
E9	1	33.0021	HEAD LIGHT
E10	1	31.0033	SEAT SWITCH
E11	2	33.0022	TAIL LIGHTS
E12	1	31.0022	PTO SWITCH
E13	1	31.0022	LIGHT SWITCH
E14	1	13.0078	IGN. SWITCH
E15	1		ATTACHMENT CLIP
E16	1	35.0098	TAC/HOUR METER
E17	1		FUSE HOLDER
E18	1		20 AMP FUSE

SERIAL # 1081-1130



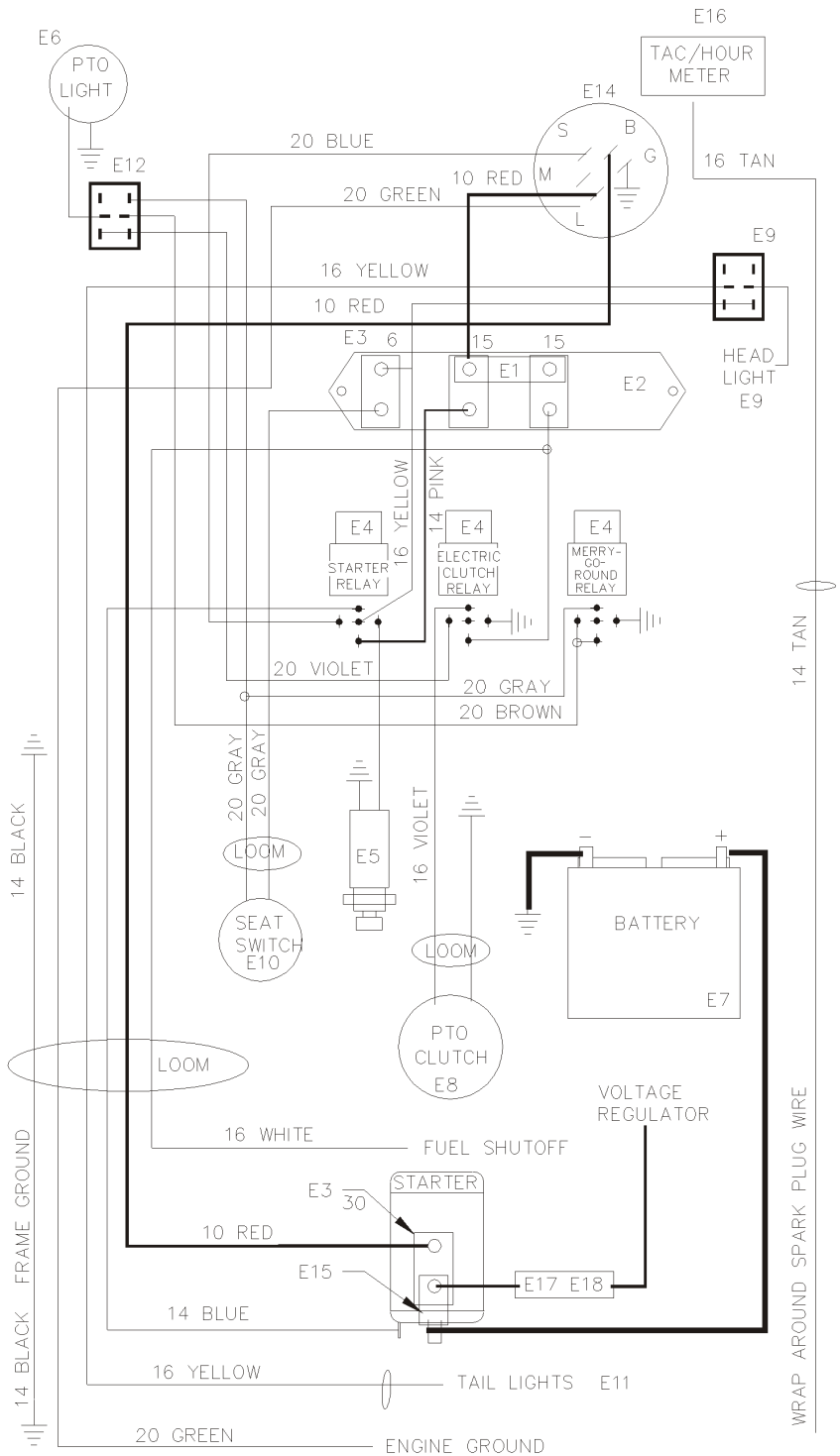


# PARTS

## ILLUSTRATED DRAWING 19 HP KAWASAKI ELECTRICAL DIAGRAM

E1	1	30.0155	BUSS BAR (2 GANG)
E2	2	30.0156	CB BRACKET (4 GANG)
E3	1	30.0153	6 AMP CIRCUIT BREAKER
	2	30.0114	15 AMP CIRCUIT BREAKER
	1	30.0120	30 AMP CIRCUIT BREAKER
E4	3	35.0089	RELAY 5 POLE
E5	1	31.0031	NEUTRAL SAFETY SWITCH
E6	1	33.0020	PTO LIGHT
E7	1	33.0030	BATTERY
E8	1	37.0048	PTO CLUTCH
E9	1	33.0021	HEAD LIGHT
E10	1	31.0033	SEAT SWITCH
E11	2	33.0022	TAIL LIGHTS
E12	1	31.0022	PTO SWITCH
E13	1	31.0022	LIGHT SWITCH
E14	1	13.0078	IGN. SWITCH
E15	1	64.0861	ATTACHMENT CLIP
E16	1	35.0098	TAC/HOUR METER
E17	1	30.0004M	FUSE HOLDER
E18	1	30.0179	20 AMP FUSE
E19	1	32.0028	POS. (+) BATTERY CABLE
E20	1	32.0029	NEG. (-) BATTERY CABLE

SERIAL # 1131-1345



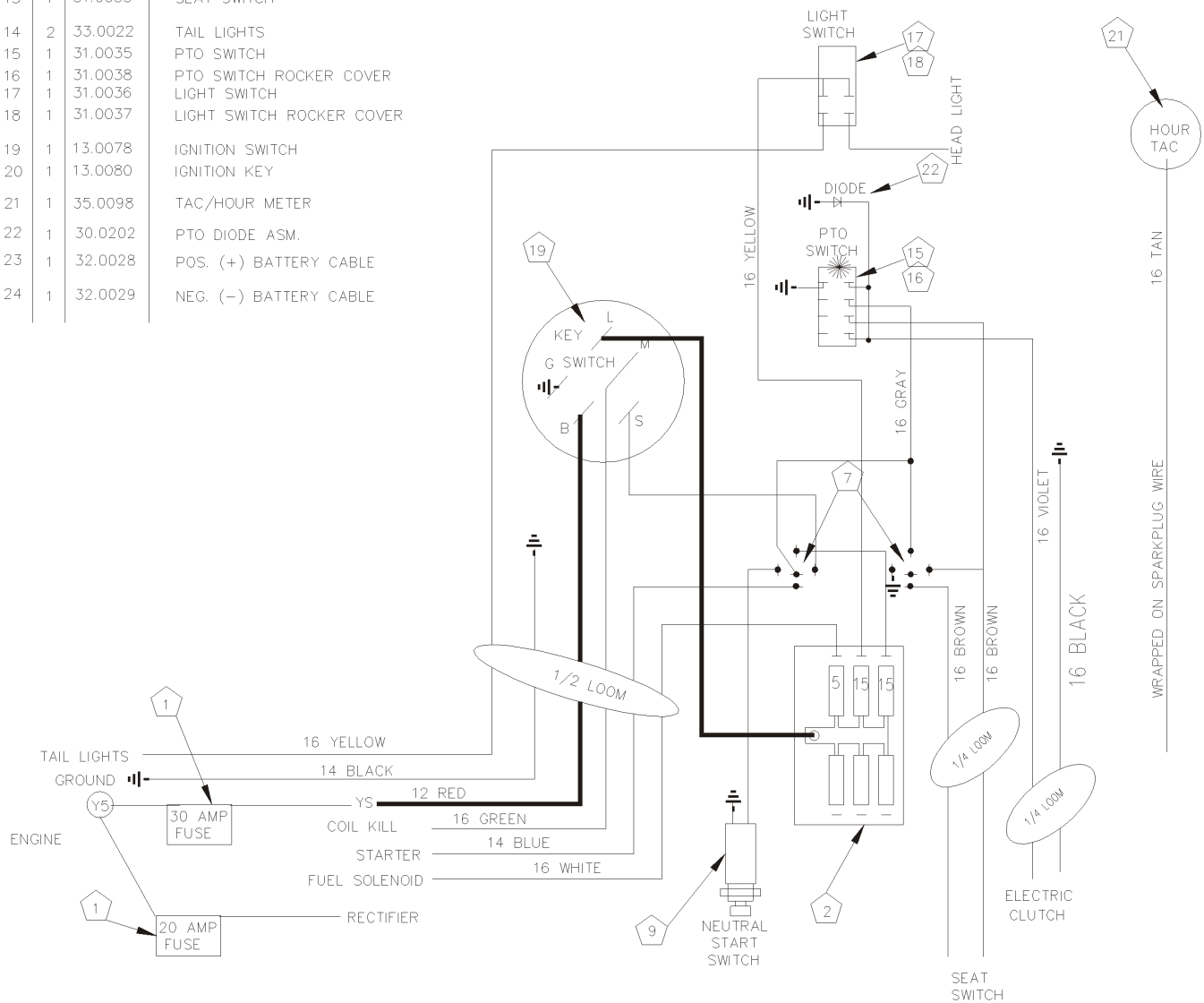
# PARTS

## ILLUSTRATED DRAWING 19/21 HP KAWASAKI ELECTRICAL DIAGRAM

1	2	30.0186	INLINE FUSE HOLDER
2	1	30.0167	FUSE BLOCK (6 GANG)
3	1	30.0197	30 AMP FUSE
4	1	30.0203	20 AMP FUSE
5	2	30.0166	15 AMP FUSE
6	1	30.0187	5 AMP FUSE
7	2	35.0103	RELAY 50/20
8	2	30.0196	RELAY BASE
9	1	31.0040	NEUTRAL SAFETY SWITCH
10	1	33.0030	BATTERY
11	1	37.0048	PTO CLUTCH
12	1	33.0021	HEAD LIGHT
13	1	31.0033	SEAT SWITCH
14	2	33.0022	TAIL LIGHTS
15	1	31.0035	PTO SWITCH
16	1	31.0038	PTO SWITCH ROCKER COVER
17	1	31.0036	LIGHT SWITCH
18	1	31.0037	LIGHT SWITCH ROCKER COVER
19	1	13.0078	IGNITION SWITCH
20	1	13.0080	IGNITION KEY
21	1	35.0098	TAC/HOUR METER
22	1	30.0202	PTO DIODE ASM.
23	1	32.0028	POS. (+) BATTERY CABLE
24	1	32.0029	NEG. (-) BATTERY CABLE

19 HP KAWASAKI ENGINE - SERIAL # 1346-1425

21 HP KAWASAKI ENGINE - SERIAL # 1426-1513

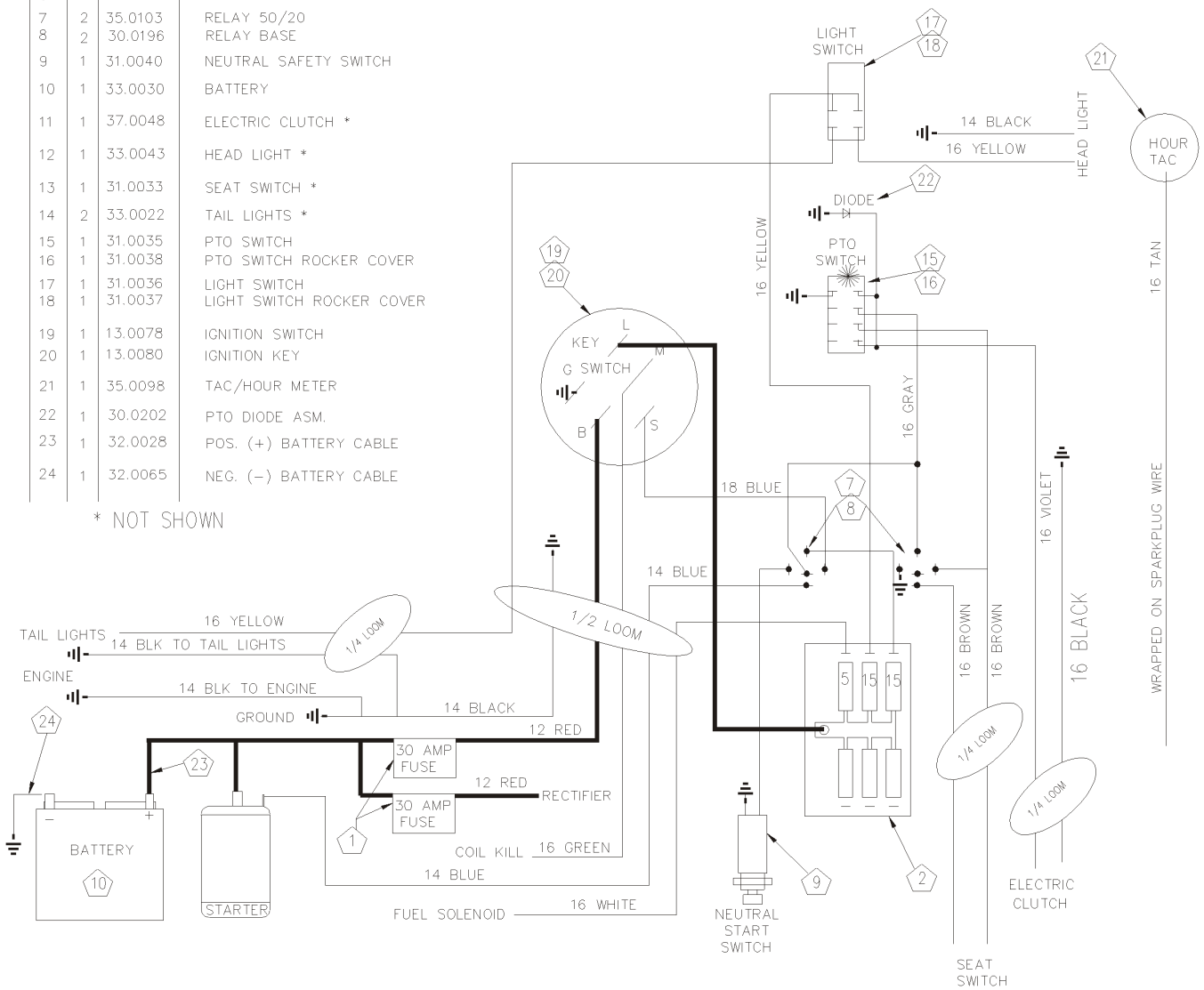


# PARTS

## ILLUSTRATED DRAWING 21 HP KAWASAKI ELECTRICAL DIAGRAM

REF.#	QTY	STOCK #	DESCRIPTION
1	2	30.0186	INLINE FUSE HOLDER
2	1	30.0167	FUSE BLOCK (6 GANG)
3	2	30.0197	30 AMP FUSE
5	2	30.0166	15 AMP FUSE
6	1	30.0187	5 AMP FUSE
7	2	35.0103	RELAY 50/20
8	2	30.0196	RELAY BASE
9	1	31.0040	NEUTRAL SAFETY SWITCH
10	1	33.0030	BATTERY
11	1	37.0048	ELECTRIC CLUTCH *
12	1	33.0043	HEAD LIGHT *
13	1	31.0033	SEAT SWITCH *
14	2	33.0022	TAIL LIGHTS *
15	1	31.0035	PTO SWITCH
16	1	31.0038	PTO SWITCH ROCKER COVER
17	1	31.0036	LIGHT SWITCH
18	1	31.0037	LIGHT SWITCH ROCKER COVER
19	1	13.0078	IGNITION SWITCH
20	1	13.0080	IGNITION KEY
21	1	35.0098	TAC/HOUR METER
22	1	30.0202	PTO DIODE ASM.
23	1	32.0028	POS. (+) BATTERY CABLE
24	1	32.0065	NEG. (-) BATTERY CABLE

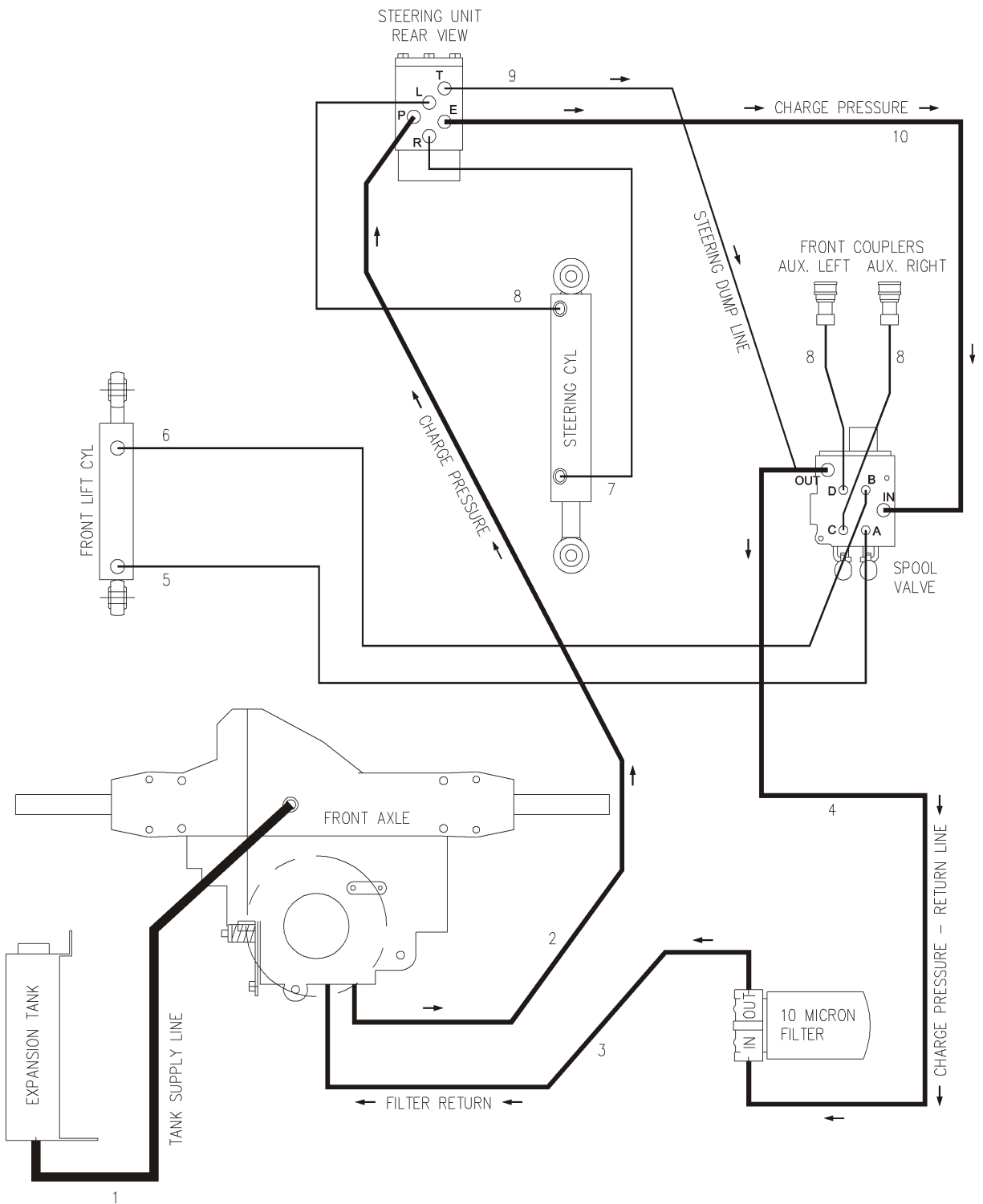
SERIAL # 1514--



# PARTS

## ILLUSTRATED DRAWING HYDRAULIC DIAGRAM

TOP VIEW SHOWN UNLESS NOTED



# PARTS

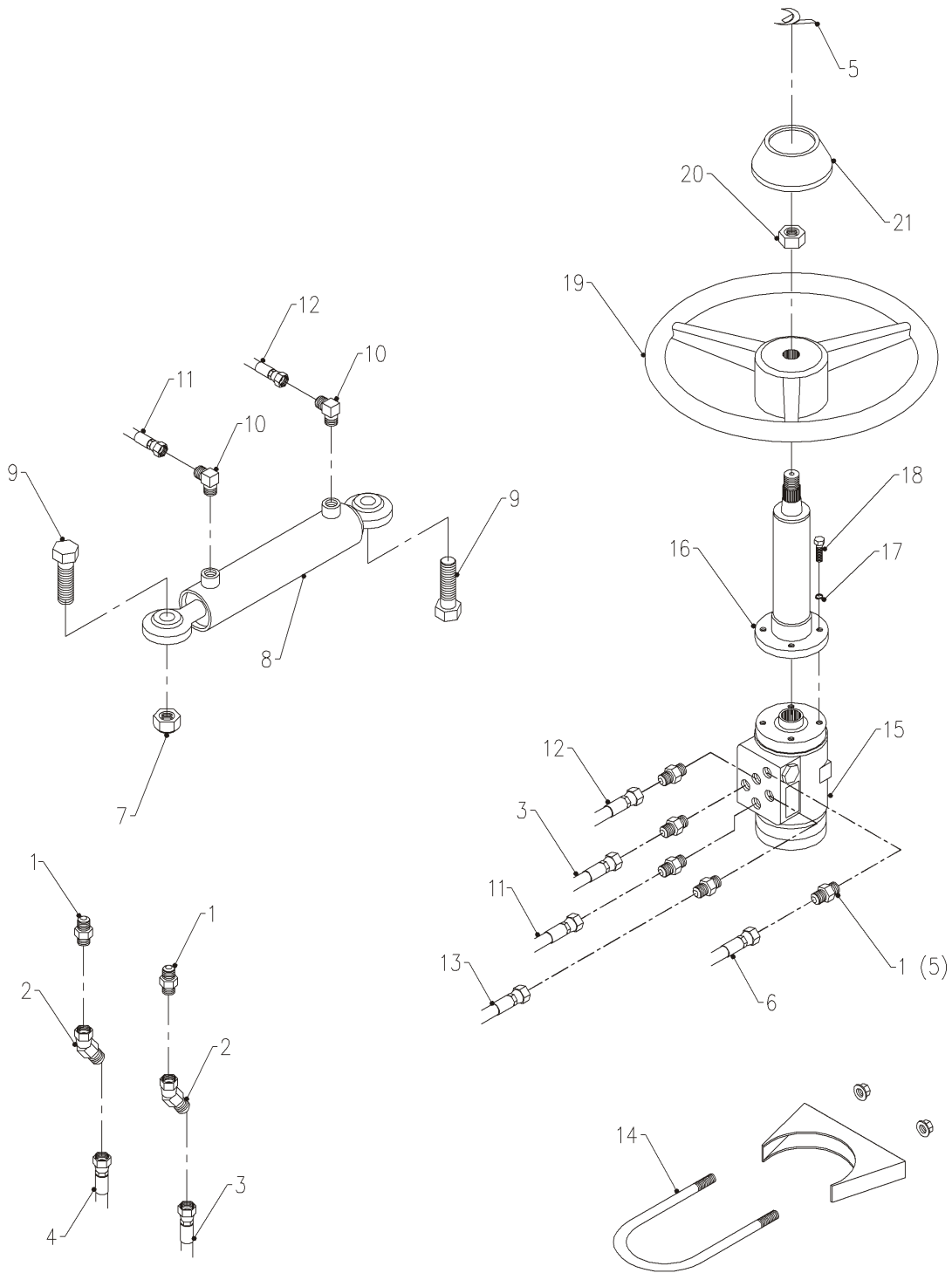
---

## HYDRAULIC DIAGRAM

REF.	PART NO.	DESCRIPTION	QTY.
1 . . . . .	22.0034. . . . .	Hydraulic Hose - 1/2 x 17-1/2. . . . .	1
2 . . . . .	20.0130. . . . .	Hydraulic Hose - 3/8 x 40. . . . .	1
3 . . . . .	20.0156. . . . .	Hydraulic Hose - 3/8 x 22. . . . .	1
4 . . . . .	20.0155. . . . .	Hydraulic Hose - 3/8 x 19. . . . .	1
5 . . . . .	20.0112. . . . .	Hydraulic Hose - 1/4 x 28. . . . .	1
6 . . . . .	20.0160. . . . .	Hydraulic Hose - 1/4 x 22. . . . .	1
7 . . . . .	20.0162. . . . .	Hydraulic Hose - 1/4 x 24. . . . .	1
8 . . . . .	20.0159. . . . .	Hydraulic Hose - 1/4 x 15. . . . .	3
9 . . . . .	20.0212. . . . .	Hydraulic Hose - 1/4 x 23. . . . .	1
10 . . . . .	20.0157. . . . .	Hydraulic Hose - 3/8 x 30. . . . .	1

# PARTS

## ILLUSTRATED DRAWING HYDRAULIC STEERING



- 4 - TO HYDRAULIC FILTER - C-5 & 7, REF. 27  
6 - TO HYDRAULIC VALVE - C-5 & 7, REF. 31  
13 - TO HYDRAULIC VALVE - C-5 & 7, REF. 38

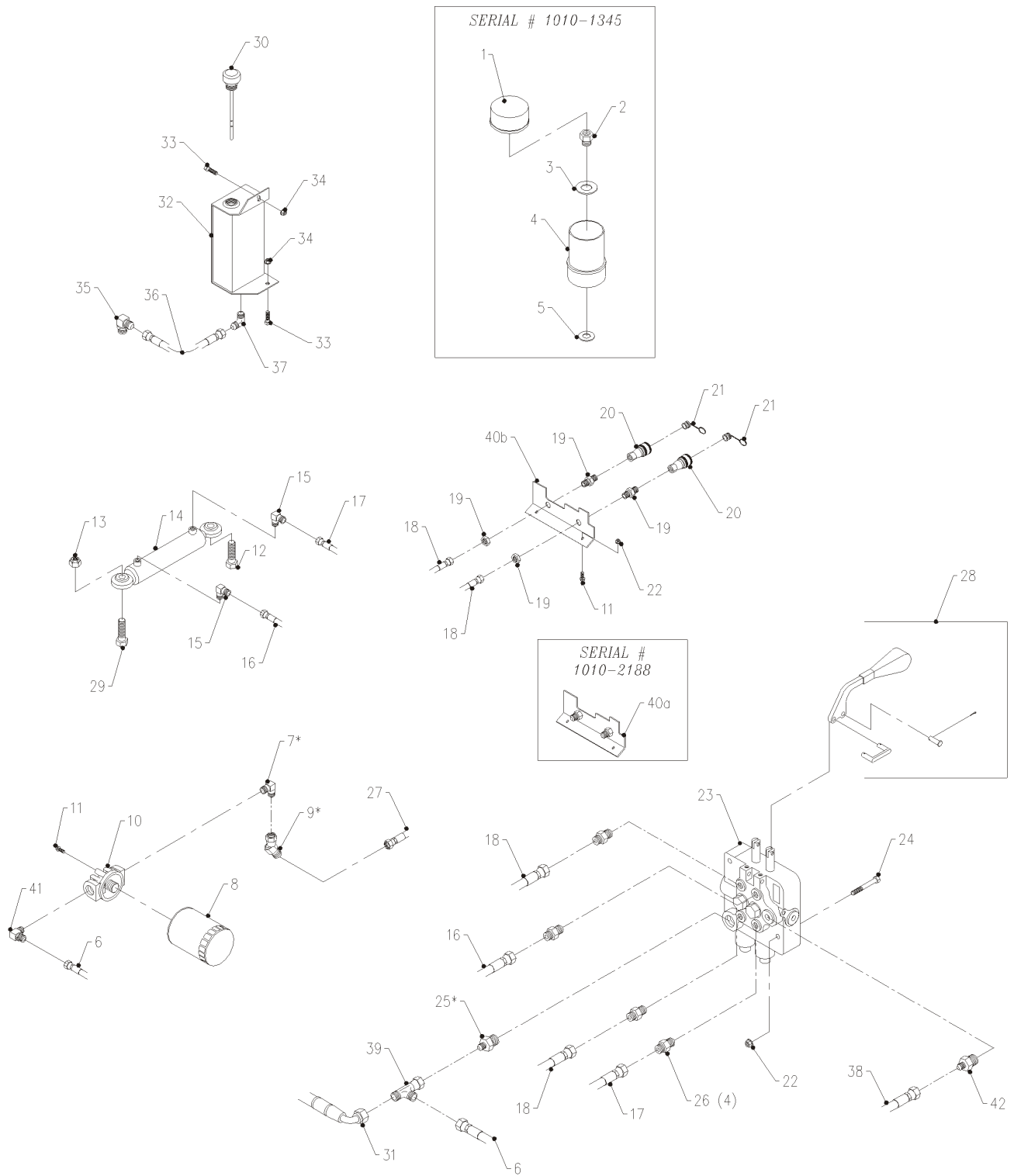
# PARTS

## HYDRAULIC STEERING

REF.	PART NO.	DESCRIPTION	QTY.
1 . . . . .	25.6400-06-06 . . . . .	Hyd. Fitting, Connector - 3/8 x 3/8 . . . . .	7
2 . . . . .	25.6502-06-06 . . . . .	Hyd. Fitting, 45 - 3/8 x 3/8 . . . . .	2
3 . . . . .	20.0130 . . . . .	Hyd. Hose - 3/8 x 40 . . . . .	1
4 . . . . .	20.0156 . . . . .	Hyd. Hose - 3/8 x 22 . . . . .	1
5 . . . . .	00.0207 . . . . .	Decal, V. . . . .	1
6 . . . . .	20.0162 . . . . .	Hyd. Hose - 1/4 x 24 (Serial # 1010-1657) . . . . .	1
	20.0212 . . . . .	Hyd. Hose - 1/4 x 23 (Serial # 1658--) . . . . .	1
7 . . . . .	99.A10NF . . . . .	5/8-18 Lock Nut . . . . .	2
8 . . . . .	23.0108 . . . . .	Steering Cylinder (Serial # 1010-1489) . . . . .	1
	23.0129 . . . . .	Steering Cylinder (Serial # 1490--) . . . . .	1
9 . . . . .	91.1016 . . . . .	5/8-18 x 2 Bolt . . . . .	2
10 . . . . .	25.2501-06-04 . . . . .	Hyd. Fitting, 90 - 3/8 x 1/4 (Serial # 1010-1489). . . . .	2
	25.6801-06-06 . . . . .	Hyd. Fitting, 90 - 3/8 x 3/8 (Serial # 1490--) . . . . .	2
11 . . . . .	20.0162 . . . . .	Hyd. Hose - 1/4 x 24 . . . . .	1
12 . . . . .	20.0159 . . . . .	Hyd. Hose - 1/4 x 15 . . . . .	1
13 . . . . .	20.0157 . . . . .	Hyd. Hose - 3/8 x 30 . . . . .	1
14 . . . . .	11.0042 . . . . .	3/8-16 x 2-3/4 U-bolt . . . . .	1
15 . . . . .	23.0097 . . . . .	Steering Valve . . . . .	1
16 . . . . .	47.0139 . . . . .	Steering Column . . . . .	1
17 . . . . .	96.04 . . . . .	1/4 Lock Washer . . . . .	4
18 . . . . .	99.M0016 . . . . .	M6 x 1.00 x 12 Bolt . . . . .	4
19 . . . . .	47.0117 . . . . .	Steering Wheel . . . . .	1
20 . . . . .	99.M0003 . . . . .	16MM x 1.50 Nut . . . . .	1
21 . . . . .	47.0118 . . . . .	Steering Wheel Cap . . . . .	1

# PARTS

## ILLUSTRATED DRAWING HYDRAULIC LIFT





# PARTS

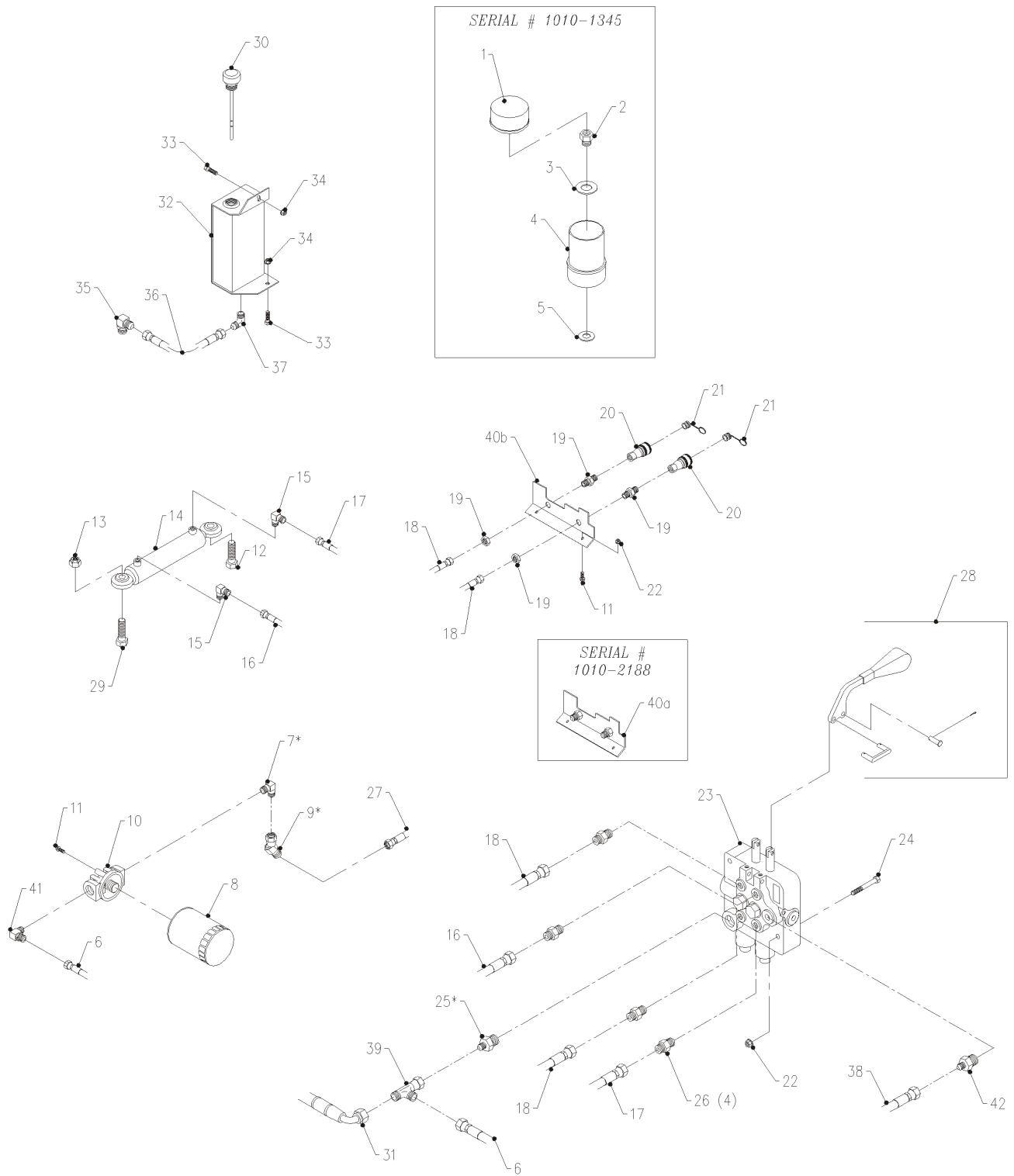
## HYDRAULIC LIFT

REF.	PART NO.	DESCRIPTION	QTY.
1 . . . . .	47.0156 . . . . .	Oil Reservoir Cap . . . . .	1
2 . . . . .	24.0009 . . . . .	Oil Reservoir Breather . . . . .	1
3 . . . . .	99.B0067 . . . . .	25/35 ID x 2-1/16 Washer . . . . .	1
4 . . . . .	47.0155 . . . . .	Oil Reservoir . . . . .	1
5 . . . . .	05.0066 . . . . .	Neoprene Washer . . . . .	1
6 . . . . .	20.0155 . . . . .	Hyd. Hose - 3/8 x 19 . . . . .	1
7 . . . . .	25.2404-06-08 . . . . .	Hyd. Fitting, Conn. 3/8 x 1/2 (Serial # 1010-1657) . . . . .	1
	25.2501-06-08 . . . . .	Hyd. Fitting, 90 - 3/8 x 1/2 (Serial # 1658--). . . . .	1
8 . . . . .	21.0078 . . . . .	10 Micron Hydraulic Filter . . . . .	1
9 . . . . .	25.6602-6-6-6 . . . . .	Hyd. Fitting, T - 3/8 x 3/8 x 3/8 (Serial # 1010-1657) . . . . .	1
	25.6502-06-06 . . . . .	Hyd. Fitting, 45 - 3/8 x 3/8 (Serial #1658--). . . . .	1
10 . . . . .	21.0082 . . . . .	Filter Head . . . . .	1
11 . . . . .	99.SF0404 . . . . .	1/4-20 x 1/2 Flange Bolt . . . . .	4
12 . . . . .	91.1018 . . . . .	5/8-18 x 2-1/4 Bolt . . . . .	1
13 . . . . .	99.A10NF . . . . .	5/8-18 Lock Nut . . . . .	2
14 . . . . .	23.0100 . . . . .	Lift Cylinder (Serial #1010-1489) . . . . .	1
	23.0130 . . . . .	Lift Cylinder (Serial #1490--). . . . .	1
15 . . . . .	25.2501-06-04 . . . . .	Hyd. Fitting, 90 - 3/8 x 1/4 (Serial # 1010-1489) . . . . .	2
	25.6801-06-06 . . . . .	Hyd. Fitting, 90 - 3/8 x 3/8 (Serial # 1490--). . . . .	2
16 . . . . .	20.0112 . . . . .	Hyd. Hose - 1/4 x 28 . . . . .	1
17 . . . . .	20.0160 . . . . .	Hyd. Hose - 1/4 x 22 . . . . .	1
18 . . . . .	20.0159 . . . . .	Hyd. Hose - 1/4 x 15 . . . . .	2
19 . . . . .	25.2706-04-06LN . . . . .	Hyd. Fitting, Bulkhead w/Lock Nut (Serial # 2189--). . . . .	2
20 . . . . .	23.0106 . . . . .	Hyd. Coupler . . . . .	2
21 . . . . .	23.0126 . . . . .	Coupler Plug . . . . .	2
22 . . . . .	99.SF04 . . . . .	1/4-20 Flange Nut . . . . .	4
23 . . . . .	23.0111-1 . . . . .	2 Spool Hydraulic Valve . . . . .	1
24 . . . . .	90.0416 . . . . .	1/4-20 x 2 Bolt . . . . .	2
25 . . . . .	25.6801-06-08 . . . . .	Hyd. Fitting, 90° - 3/8 x 1/2 (Serial # 1010-1657) . . . . .	1
	25.6400-06-08 . . . . .	Hyd. Fitting, Conn. - 3/8 x 1/2 (Serial # 1658--). . . . .	1
26 . . . . .	25.6400-06-06 . . . . .	Hyd. Fitting, Conn. - 3/8 x 3/8 . . . . .	4
27 . . . . .	20.0156 . . . . .	Hyd. Hose - 3/8 x 22 . . . . .	1
28 . . . . .	23.0111-5 . . . . .	Valve Handle Kit . . . . .	2
29 . . . . .	91.1022 . . . . .	5/8-18 x 2-3/4 Bolt . . . . .	1
30 . . . . .	23.0127 . . . . .	Oil Dipstick . . . . .	1
31 . . . . .	20.0212 . . . . .	Hyd. Hose - 1/4 x 28 . . . . .	1
32 . . . . .	47.0214 . . . . .	Oil Reservoir . . . . .	1
33 . . . . .	90.0506 . . . . .	5/16-18 x 3/4 Bolt . . . . .	2
34 . . . . .	99.SF05 . . . . .	5/16-18 Flange Nut . . . . .	2
35 . . . . .	25.6801-08-06 . . . . .	Hyd. Fitting, 90 - 1/2 x 3/8 . . . . .	1
36 . . . . .	22.0034 . . . . .	Hyd. Hose - 1/2 x 17-1/2 . . . . .	1

**Hydraulic Lift parts drawing and list are continued on next page.**

# PARTS

## ILLUSTRATED DRAWING HYDRAULIC LIFT



- 27 - TO TRANSAXLE - C-3, REF. 4
- 31 - TO STEERING VALVE - C-3, REF. 6
- 38 - TO STEERING VALVE - C-3, REF. 13

# PARTS

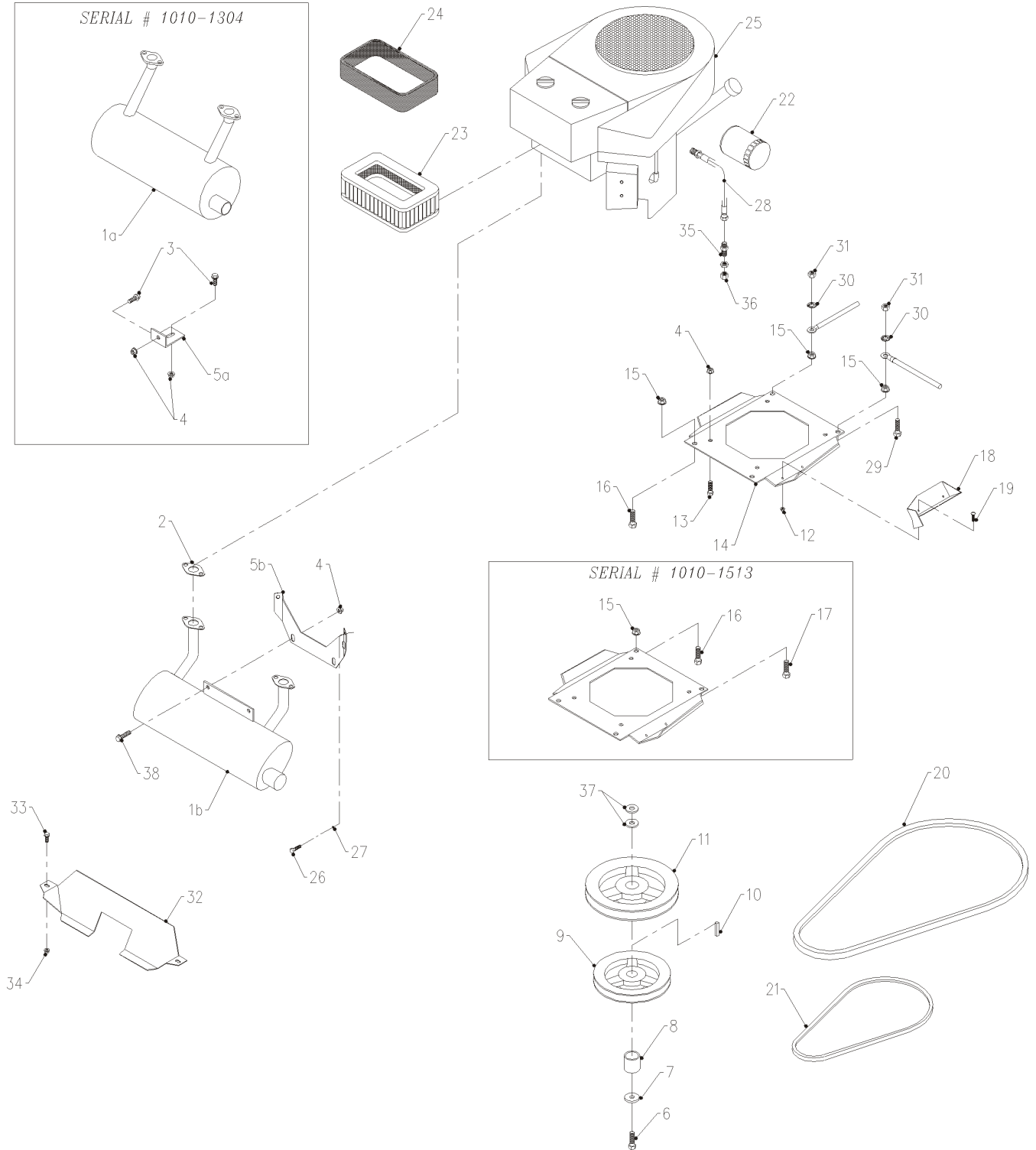
---

## HYDRAULIC LIFT

REF.	PART NO.	DESCRIPTION	QTY.
<b>Continued from Page C-4</b>			
37 . . . .	25.2501-08-08 . . . . .	Hyd. Fitting, 90 - 1/2 x 1/2 . . . . .	1
38 . . . .	20.0157. . . . .	Hyd. Hose - 3/8 x 30 . . . . .	1
39 . . . .	25.6602-6-6-6 . . . . .	Hyd. Fitting, Tee Single Swivel - 3/8 . . . . .	1
40a . . . .	64.0793. . . . .	Coupler Bracket (Serial # 1010-2189). . . . .	1
40b . . . .	64.1164. . . . .	Coupler Bracket (Serial # 2189--). . . . .	1
41 . . . .	25.2501-06-08 . . . . .	Hyd. Fitting, 90 - 3/8 x 1/2 . . . . .	1
42 . . . .	25.6400-06-08 . . . . .	Hyd. Fitting, Conn. - 3/8 x 1/2	

# PARTS

## ILLUSTRATED DRAWING ENGINE MOUNT



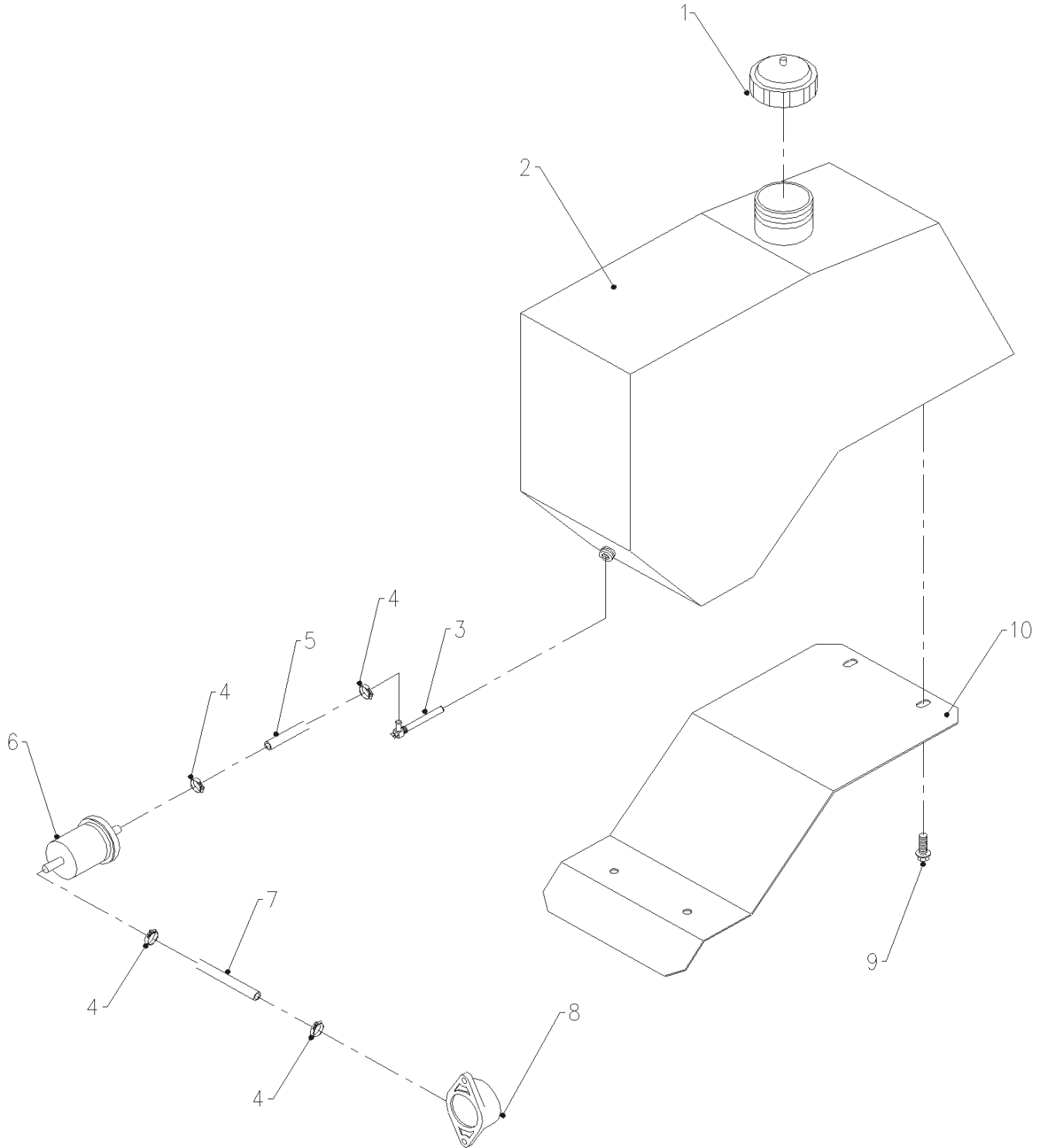
# PARTS

## ENGINE MOUNT

REF.	PART NO.	DESCRIPTION	QTY.
1a	13.0140.	Muffler (Serial # 1010-1304)	1
1b	13.0198.	Muffler (Serial # 1305--)	1
2.	13.0145.	Exhaust Gasket.	2
3.	99.SF0506	5/16-18 x 3/4 Flange Bolt.	2
4.	99.SF05	5/16-18 Flange Nut . . . . .	6
5a	64.0788.	Muffler Support (Serial # 1010-1304)	1
5b	64.0987.	Muffler Support (Serial # 1305--)	1
6.	91.0708.	7/16-20 x 1 Bolt . . . . .	1
7.	99.B0063.	3/16 x 15/32 x 1-9/32 Washer . . . . .	1
8.	64.0818.	Engine Shaft Spacer . . . . .	1
9.	83.AK5618	AK56 x 1-1/8 Pulley.	1
10	85.K0408.	1/4 x 1 Key . . . . .	2
11	83.BK7018	BK70 x 1-1/8 Pulley.	1
12	99.E0035.	10-32 Flange Nut . . . . .	2
13	90.0512.	5/16-18 x 1-1/2 Bolt. . . . .	4
14	62.0821.	Engine Mount Plate. . . . .	1
15	99.SF06	3/8-16 Flange Nut . . . . .	4
16	90.0606.	3/8-16 x 3/4 Bolt . . . . .	2
17	90.0608.	3/8-16 x 1 Bolt . . . . .	1
18	64.0832.	Oil Drain Plate . . . . .	1
19	99.K0062.	10-32 x 1/2 Machine Screw. . . . .	2
20	81.B065	B65 Belt. . . . .	1
21	81.A038	A38 Belt. . . . .	1
22	13.0063.	Engine Oil Filter. . . . .	1
23	13.0148.	Air Filter - Paper Element (Serial # 1010-1597).	1
23	13.0202.	Air Filter - Paper Element (Serial # 1598--).	1
24	13.0147.	Air Filter - Foam Element . . . . .	1
25	13.0138.	Kawasaki Engine, 19 HP (Serial # 1010-1425)	1
	13.0199.	Kawasaki Engine, 21 HP (Serial # 1426--)	1
26	99.M0002.	M6 x 1.00 x 16 Bolt . . . . .	2
27	96.04	1/4 Lock Washer . . . . .	2
28	22.0033.	Hose Assembly - 1/2 x 8-3/4 . . . . .	1
29	90.0610.	3/8-16 x 1-1/4 Bolt . . . . .	2
30	99.G0004.	3/8 Star Washer. . . . .	2
31	92.06	3/8-16 Nut . . . . .	2
32	60.0845.	Muffler Shield . . . . .	1
33	99.SF0404	1/4-20 x 1/2 Flange Bolt . . . . .	2
34	99.SF04	1/4-20 Flange Nut . . . . .	2
35	25.2700-08-08	Hydraulic Fitting, Bulkhead . . . . .	1
36	25.304-C-08	Fitting, Cap - 1/2 #8 JIC . . . . .	1
37	99.B0059.	10 ga. x 1-1/8 Machine Washer. . . . .	2
38	99.SF0504	5/16-18 x 1/2 Flange Bolt . . . . .	2

# PARTS

## ILLUSTRATED DRAWING FUEL SYSTEM



# PARTS

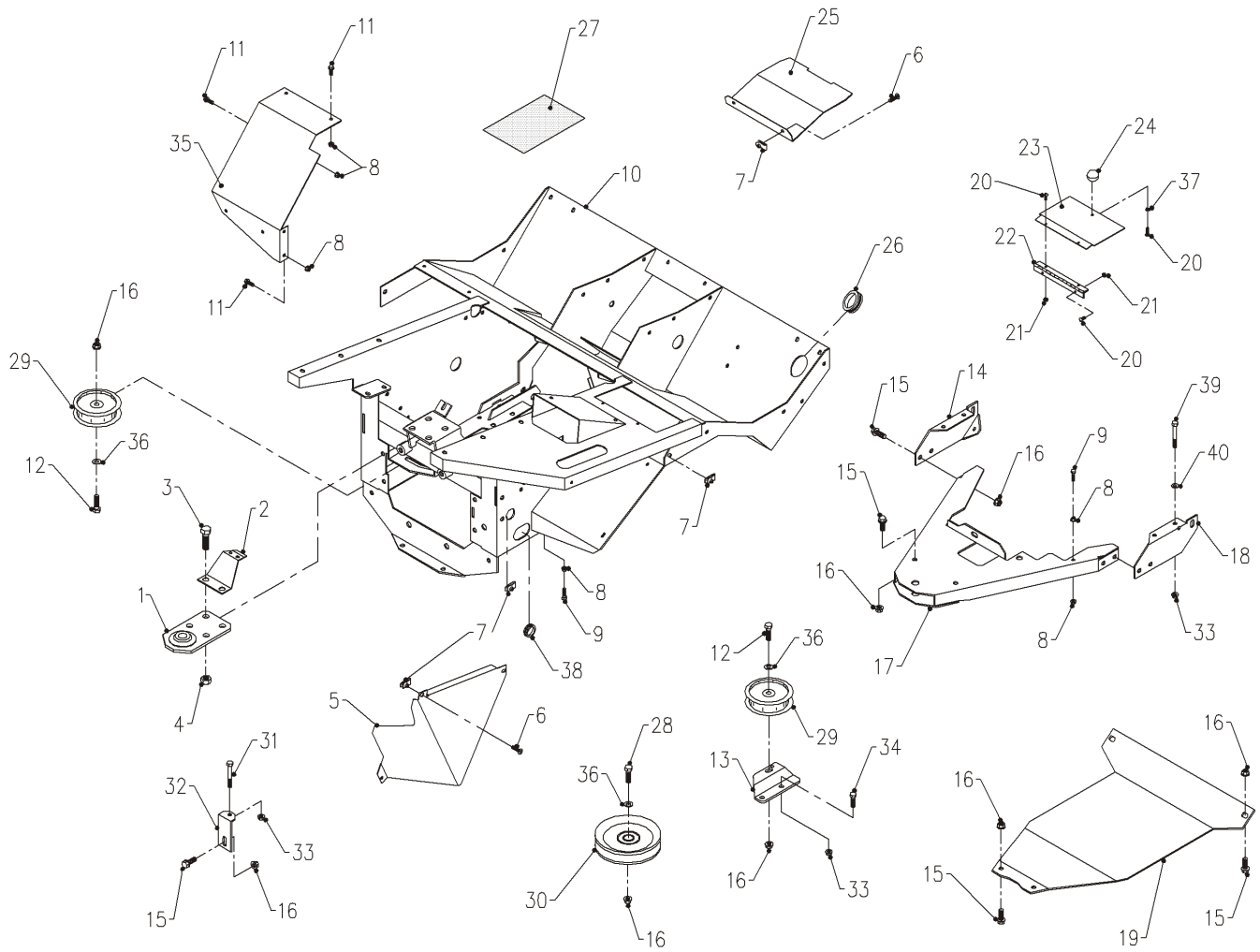
---

## FUEL SYSTEM

REF.	PART NO.	DESCRIPTION	QTY.
1 . . . . .	47.0148. . . . .	Gas Cap . . . . .	1
2 . . . . .	47.0147. . . . .	Gas Tank (4 gallon). . . . .	1
3 . . . . .	47.0154. . . . .	Fuel Valve . . . . .	1
4 . . . . .	11.0048. . . . .	Hose Clamp . . . . .	4
5 . . . . .	27.F04-8IN . . . . .	1/4" Fuel Line x 8" . . . . .	1
6 . . . . .	13.0131. . . . .	Fuel Filter . . . . .	1
7 . . . . .	27.F04-4.75IN . . . . .	1/4" Fuel Line x 4-3/4" . . . . .	1
8 . . . . .	13.0146. . . . .	Fuel Pump . . . . .	1
9 . . . . .	99.SF0404 . . . . .	1/4-20 x 1/2 Flange Bolt . . . . .	4
10 . . . . .	60.0718. . . . .	Fuel Tank Shield . . . . .	1

# PARTS

## ILLUSTRATED DRAWING FRONT FRAME





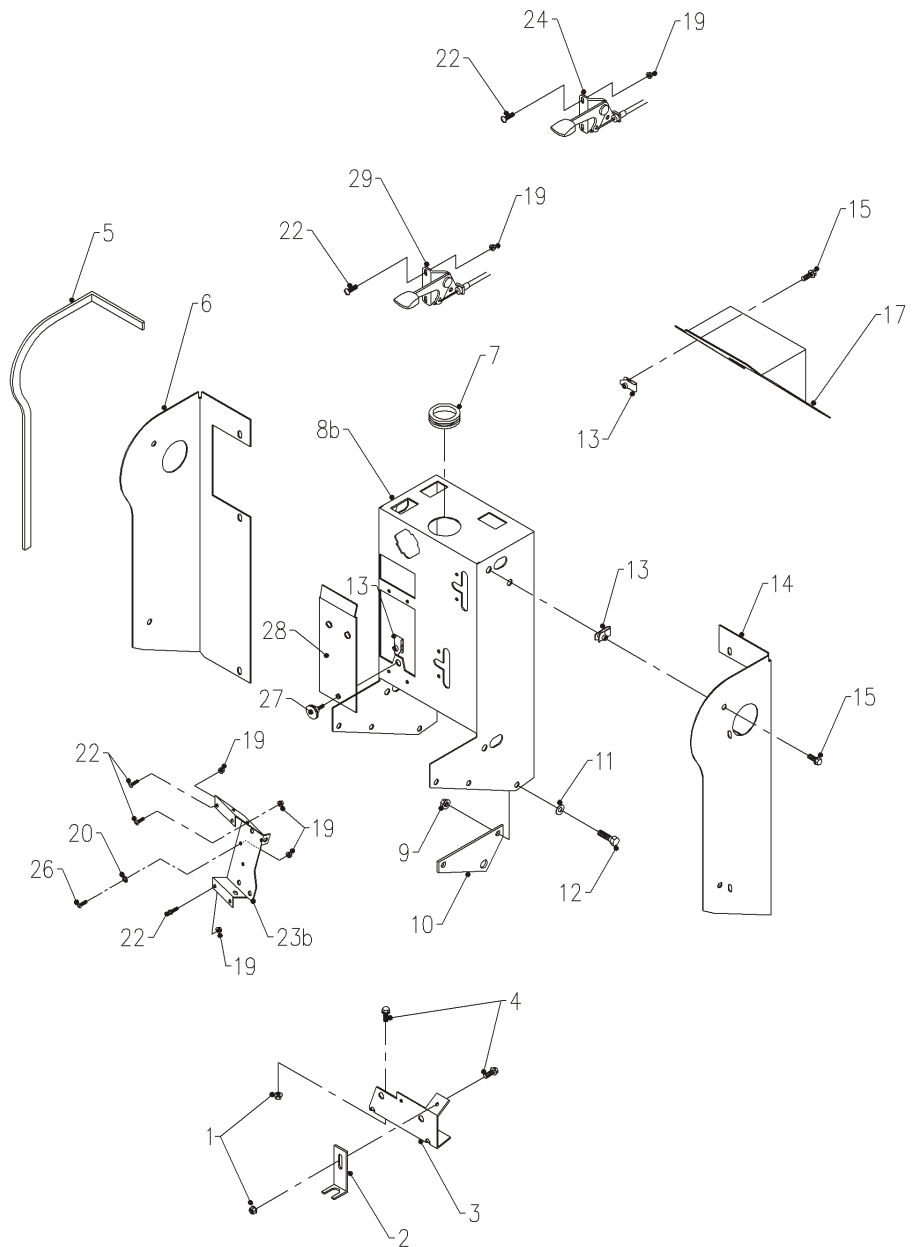
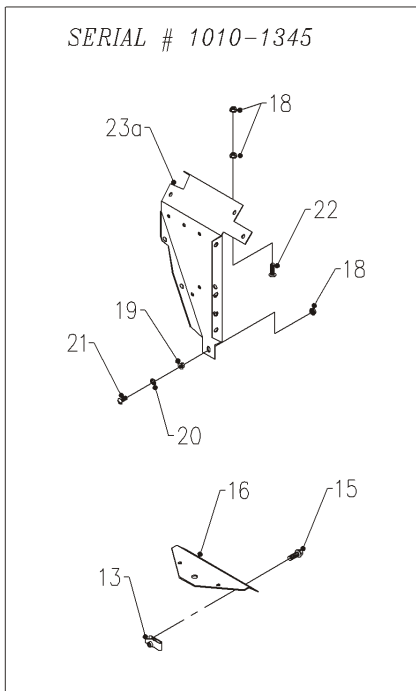
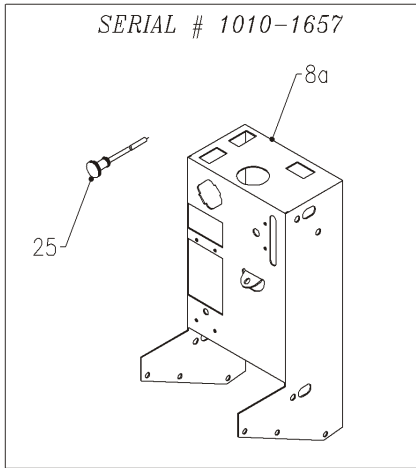
# PARTS

## FRONT FRAME

REF.	PART NO.	DESCRIPTION	QTY.
1 . . . . .	62.0812 . . . . .	Center Pivot . . . . .	1
2 . . . . .	64.0833 . . . . .	Wire Support Bracket . . . . .	1
3 . . . . .	90.0808 . . . . .	1/2-13 x 1 Bolt . . . . .	4
4 . . . . .	99.A08 . . . . .	1/2-13 Lock Nut . . . . .	4
5 . . . . .	60.0706 . . . . .	Valve Cover Panel . . . . .	1
6 . . . . .	99.SF0405-1 . . . . .	1/4-20 x 5/8 Flange Bolt w/Rubber . . . . .	5
7 . . . . .	99.E0046 . . . . .	1/4-20 U-nut . . . . .	5
8 . . . . .	99.SF04 . . . . .	1/4-20 Flange Nut . . . . .	9
9 . . . . .	90.0410 . . . . .	1/4-20 x 1-1/4 Bolt . . . . .	2
10 . . . . .	62.0811 . . . . .	Front Frame . . . . .	1
11 . . . . .	99.SF0404-1 . . . . .	1/4-20 x 1/2 Flange Bolt w/Rubber . . . . .	5
12 . . . . .	90.0614 . . . . .	3/8-16 x 1-3/4 Bolt . . . . .	2
13 . . . . .	64.0897 . . . . .	PTO Return Belt Idler Plate . . . . .	1
14 . . . . .	64.0778 . . . . .	Left Skid Plate Anchor . . . . .	1
15 . . . . .	99.SF0606 . . . . .	3/8-16 x 3/4 Flange Bolt . . . . .	13
16 . . . . .	99.SF06 . . . . .	3/8-16 Flange Nut . . . . .	20
17 . . . . .	62.0813 . . . . .	Lower Subframe . . . . .	1
18 . . . . .	64.0824 . . . . .	Right Skid Plate Anchor . . . . .	1
19 . . . . .	64.0779 . . . . .	Front Axle Skid Plate . . . . .	1
20 . . . . .	99.K0042 . . . . .	10-32 x 3/8 Machine Screw . . . . .	5
21 . . . . .	99.E0049 . . . . .	10-32 Star Nut . . . . .	4
22 . . . . .	47.0153 . . . . .	6" Stainless Hinge . . . . .	1
23 . . . . .	60.0711 . . . . .	Tool Box Lid . . . . .	1
24 . . . . .	47.0151 . . . . .	1-1/16 dia. Knob . . . . .	1
25 . . . . .	60.0707 . . . . .	Tunnel Shield . . . . .	1
26 . . . . .	05.0071 . . . . .	Rubber Grommet . . . . .	1
27 . . . . .	44.0222 . . . . .	Flex Tread, 4 x 6 . . . . .	3
28 . . . . .	90.0612 . . . . .	3/8-16 x 1-1/2 Bolt . . . . .	1
29 . . . . .	83.0013 . . . . .	Flat Idler Pulley . . . . .	2
30 . . . . .	83.0038 . . . . .	V-Idler Pulley . . . . .	1
31 . . . . .	90.0516 . . . . .	5/16-18 x 2 Bolt . . . . .	1
32 . . . . .	64.0780 . . . . .	Front Axle Support . . . . .	1
33 . . . . .	99.SF05 . . . . .	5/16-18 Flange Nut . . . . .	7
34 . . . . .	90.0506 . . . . .	5/16-18 x 3/4 Bolt . . . . .	2
35 . . . . .	60.0705 . . . . .	Front Fender . . . . .	1
36 . . . . .	95.06 . . . . .	3/8 SAE Flat Washer . . . . .	3
37 . . . . .	99.G0010 . . . . .	#10 Star Washer . . . . .	1
38 . . . . .	05.0036 . . . . .	Rubber Grommet . . . . .	1
39 . . . . .	90.0524 . . . . .	5/16-18 x 3 Bolt . . . . .	4
40 . . . . .	95.05 . . . . .	5/16 SAE Flat Washer . . . . .	4

# PARTS

## ILLUSTRATED DRAWING FRONT DASH & COVERS



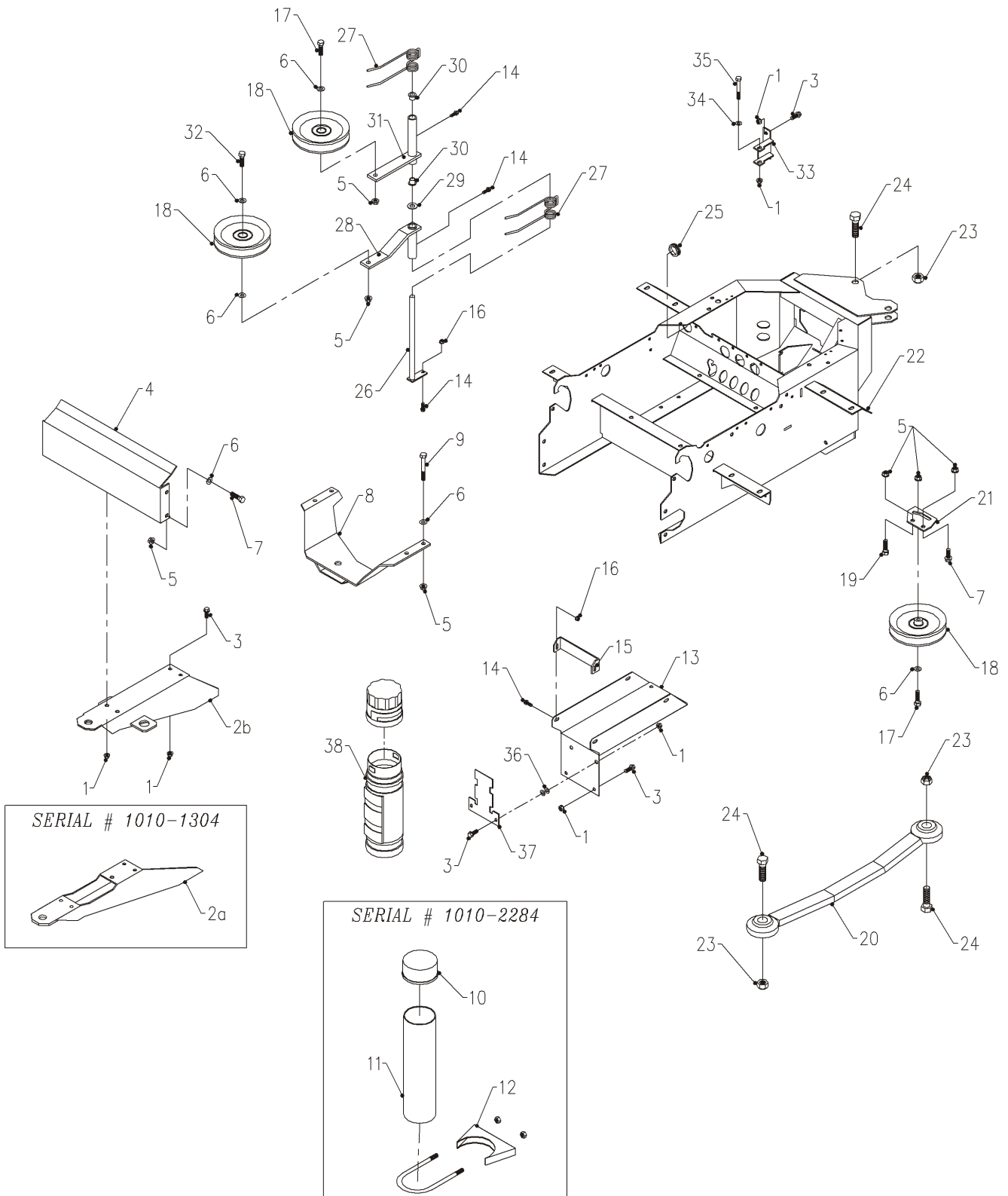
# PARTS

## FRONT DASH & COVERS

REF.	PART NO.	DESCRIPTION	QTY.
1 . . . . .	99.SF04 . . . . .	1/4-20 Flange Nut . . . . .	3
2 . . . . .	64.0784. . . . .	Neutral Switch Bracket . . . . .	1
3 . . . . .	64.0777. . . . .	Steering Column Anchor Plate . . . . .	1
4 . . . . .	99.SF0404 . . . . .	1/4-20 x 1/2 Flange Bolt . . . . .	3
5 . . . . .	06.0042-22IN. . . . .	Trim Loc x 22" . . . . .	2
6 . . . . .	60.0709. . . . .	Left Dash Column Panel . . . . .	1
7 . . . . .	05.0040. . . . .	Rubber Grommet . . . . .	1
8 . . . . .	62.0814. . . . .	Dash Column (Serial # 1010-1345) . . . . .	1
. . . . .	62.0926. . . . .	Dash Column (Serial # 1346-1657) . . . . .	1
. . . . .	62.1010. . . . .	Dash Column (Serial # 1658--). . . . .	1
9 . . . . .	99.SF05 . . . . .	5/16-18 Flange Nut . . . . .	6
10 . . . . .	64.0783. . . . .	Rocker Selector Support . . . . .	2
11 . . . . .	95.05 . . . . .	5/16 SAE Flat Washer . . . . .	6
12 . . . . .	90.0506. . . . .	5/16-18 x 3/4 Bolt . . . . .	6
13 . . . . .	99.E0046. . . . .	1/4-20 U-nut . . . . .	13
14 . . . . .	60.0708. . . . .	Right Dash Column Panel . . . . .	1
15 . . . . .	99.SF0405-1 . . . . .	1/4-20 x 5/8 Flange Bolt w/Rubber . . . . .	14
16 . . . . .	64.0821. . . . .	Headlight Bracket. . . . .	1
17 . . . . .	60.0710. . . . .	Headlight Cover . . . . .	1
18 . . . . .	99.E0049. . . . .	10-32 Star Nut . . . . .	6
19 . . . . .	99.E0035. . . . .	10-32 Flange Nut . . . . .	13
20 . . . . .	99.G0010. . . . .	10-32 Star Washer . . . . .	1
21 . . . . .	99.K0047. . . . .	10-32 x 3/4 Machine Screw. . . . .	1
22 . . . . .	99.K0042. . . . .	10-32 x 3/8 Machine Screw . . . . .	10
23a . . . . .	60.0712. . . . .	Electric Panel Mount (Serial # 1010-1345) . . . . .	1
23b . . . . .	64.0990. . . . .	Electric Panel Mount (Serial # 1346--). . . . .	1
24 . . . . .	47.0135. . . . .	Throttle Cable. . . . .	1
25 . . . . .	47.0143. . . . .	Choke Cable . . . . .	1
26 . . . . .	99.K0059. . . . .	10-32 x 1 Machine Screw. . . . .	3
27 . . . . .	47.0167. . . . .	1-1/4 dia. Knob . . . . .	1
28 . . . . .	60.0831. . . . .	Electric Panel Cover (Serial # 1346--). . . . .	1
29 . . . . .	47.0232. . . . .	Choke Cable, 74" . . . . .	1

# PARTS

## ILLUSTRATED DRAWING REAR FRAME



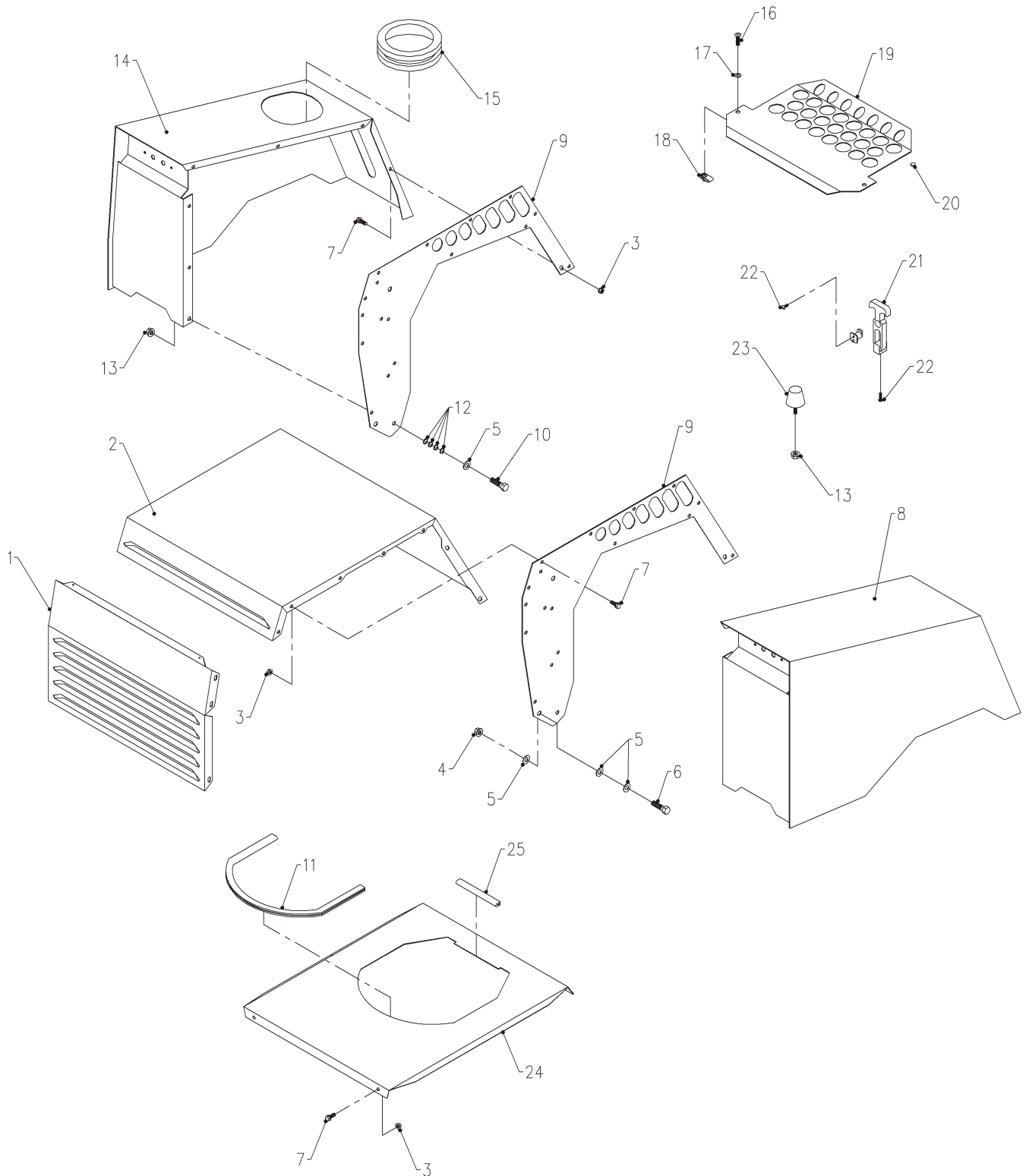
# PARTS

## REAR FRAME

REF.	PART NO.	DESCRIPTION	QTY.
1 . . . . .	99.SF05 . . . . .	5/16-18 Flange Nut . . . . .	16
2a . . . . .	62.0820 . . . . .	Rear Hitch (Serial # 1010-1304) . . . . .	1
2b . . . . .	62.0935 . . . . .	Rear Hitch (Serial # 1305--)	1
3 . . . . .	99.SF0506 . . . . .	5/16-18 x 3/4 Flange Bolt . . . . .	9
4 . . . . .	62.0818 . . . . .	Rear Bumper . . . . .	1
5 . . . . .	99.SF06 . . . . .	3/8-16 Flange Nut . . . . .	13
6 . . . . .	95.06 . . . . .	3/8 SAE Flat Washer . . . . .	12
7 . . . . .	90.0606 . . . . .	3/8-16 x 3/4 Bolt . . . . .	5
8 . . . . .	62.0819 . . . . .	Bottom Link Anchor Plate . . . . .	1
9 . . . . .	90.0624 . . . . .	3/8-16 x 3 Bolt . . . . .	4
10 . . . . .	57.0073 . . . . .	Manual Tube Cap (serial # 1010-2284) . . . . .	1
11 . . . . .	47.0158 . . . . .	Manual Tube (serial # 1010-2284) . . . . .	1
12 . . . . .	11.0054 . . . . .	3/8-16 x 3 U-bolt (serial # 1010-2284) . . . . .	1
13 . . . . .	64.0786 . . . . .	Battery Box . . . . .	1
14 . . . . .	99.SF0404 . . . . .	1/4-20 x 1/2 Flange Bolt . . . . .	7
15 . . . . .	64.0787 . . . . .	Battery Hold Down . . . . .	2
16 . . . . .	99.SF04 . . . . .	1/4-20 Flange Nut . . . . .	5
17 . . . . .	90.0612 . . . . .	3/8-16 x 1-1/2 Bolt . . . . .	2
18 . . . . .	83.0038 . . . . .	V-Idler Pulley . . . . .	3
19 . . . . .	90.0608 . . . . .	3/8-16 x 1 Bolt . . . . .	1
20 . . . . .	42.0419 . . . . .	Bottom Connecting Link . . . . .	1
21 . . . . .	64.0819 . . . . .	Idler Anchor Plate . . . . .	1
22 . . . . .	62.0817 . . . . .	Rear Frame . . . . .	1
23 . . . . .	99.A10NF . . . . .	5/8-18 Lock Nut . . . . .	2
24 . . . . .	91.1016 . . . . .	5/8-18 x 2 Bolt . . . . .	2
25 . . . . .	05.0060 . . . . .	Rubber Grommet . . . . .	2
26 . . . . .	64.0817 . . . . .	Rear Idler Pivot . . . . .	1
27 . . . . .	41.0065 . . . . .	Double Torsion Spring . . . . .	2
28 . . . . .	40.0272 . . . . .	Offset Idler Arm . . . . .	1
29 . . . . .	95.08 . . . . .	1/2 SAE Flat Washer . . . . .	1
30 . . . . .	85.B0027 . . . . .	1/2 ID x 5/8 OD x 5/8 Bushing . . . . .	4
31 . . . . .	40.0273 . . . . .	Idler Arm . . . . .	1
32 . . . . .	90.0614 . . . . .	3/8-16 x 1-3/4 Bolt . . . . .	1
33 . . . . .	40.0264 . . . . .	Rear Torque Arm . . . . .	1
34 . . . . .	95.05 . . . . .	5/16 SAE Flat Washer . . . . .	1
35 . . . . .	90.0518 . . . . .	5/16-18 x 2-1/4 Bolt . . . . .	1
36 . . . . .	94.06 . . . . .	5/16 USS Flat Washer . . . . .	4
37 . . . . .	64.1187 . . . . .	Bracket, Manual Tube Mount (serial # 2285--)	1
38 . . . . .	47.0243 . . . . .	Tube, Manual Holder - Black (serial # 2285--)	1

# PARTS

## ILLUSTRATED DRAWING REAR FENDERS & SHIELDS



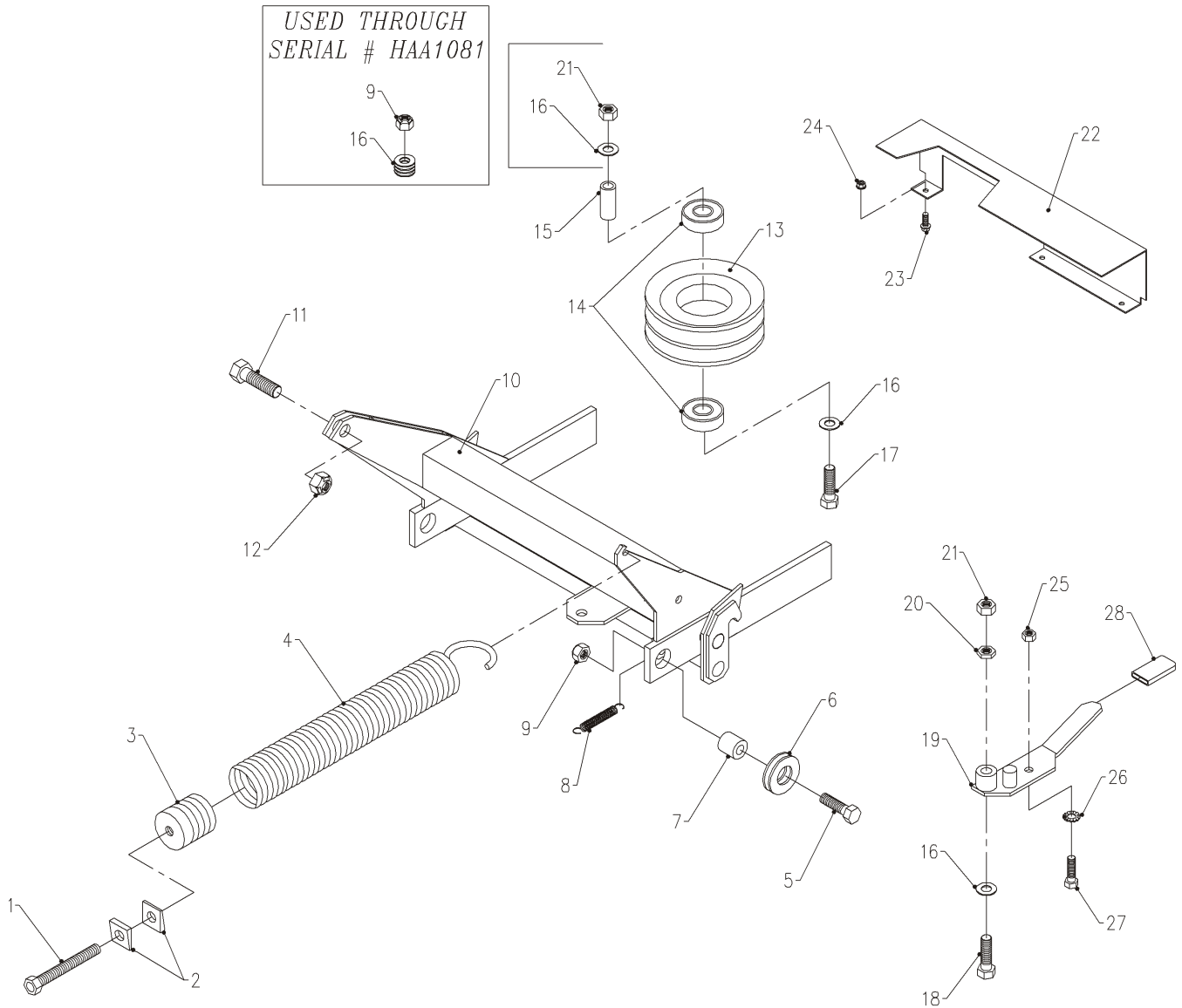
# PARTS

## REAR FENDERS & SHIELDS

REF.	PART NO.	DESCRIPTION	QTY.
1 . . . . .	60.0731 . . . . .	Rear Grill . . . . .	1
2 . . . . .	60.0714 . . . . .	Engine Shroud . . . . .	1
3 . . . . .	99.SF04 . . . . .	1/4-20 Flange Nut . . . . .	37
4 . . . . .	99.A06 . . . . .	3/8-16 Lock Nut . . . . .	2
5 . . . . .	94.05 . . . . .	5/16 USS Flat Washer . . . . .	8
6 . . . . .	90.0608 . . . . .	3/8-16 x 1 Bolt . . . . .	2
<hr/>			
7 . . . . .	99.SF0404-1 . . . . .	1/4-20 x 1/2 Flange Bolt w/Rubber . . . . .	37
8 . . . . .	62.0822 . . . . .	Right Fender . . . . .	1
9 . . . . .	60.0715 . . . . .	Engine Shroud Side Panel . . . . .	2
10 . . . . .	90.0508 . . . . .	5/16-18 x 1 Bolt . . . . .	2
11 . . . . .	06.0049-30IN. . . . .	Trim, 7/16" Bulb Seal Side 1/16T x 30" . . . . .	1
12 . . . . .	96.05 . . . . .	5/16 Lock Washer . . . . .	8
<hr/>			
13 . . . . .	99.SF05 . . . . .	5/16-18 Flange Nut . . . . .	4
14 . . . . .	62.0832 . . . . .	Left Fender . . . . .	1
15 . . . . .	05.0050 . . . . .	Rubber Grommet . . . . .	1
16 . . . . .	99.SF0405-1 . . . . .	1/4-20 x 5/8 Flange Bolt w/Rubber . . . . .	2
17 . . . . .	95.04 . . . . .	1/4 SAE Flat Washer . . . . .	2
18 . . . . .	99.E0046 . . . . .	1/4-20 U-nut . . . . .	2
<hr/>			
19 . . . . .	60.0732 . . . . .	Rear Frame Cover . . . . .	1
20 . . . . .	05.0062 . . . . .	Solid Stem Rubber Bumper . . . . .	2
21 . . . . .	47.0127 . . . . .	Rubber T-Handle Latch . . . . .	2
22 . . . . .	99.K0072 . . . . .	10-24 x 1/2 Machine Screw . . . . .	6
23 . . . . .	05.0061 . . . . .	Conical Rubber Bumper . . . . .	2
24 . . . . .	60.0784 . . . . .	Engine Dust Shield . . . . .	1
<hr/>			
25 . . . . .	06.0049-5.63IN. . . . .	Trim, 7/16" Bulb Seal Side 1/16T x 5-5/8" . . . . .	1

# PARTS

## ILLUSTRATED DRAWING FRONT HITCH ASSEMBLY





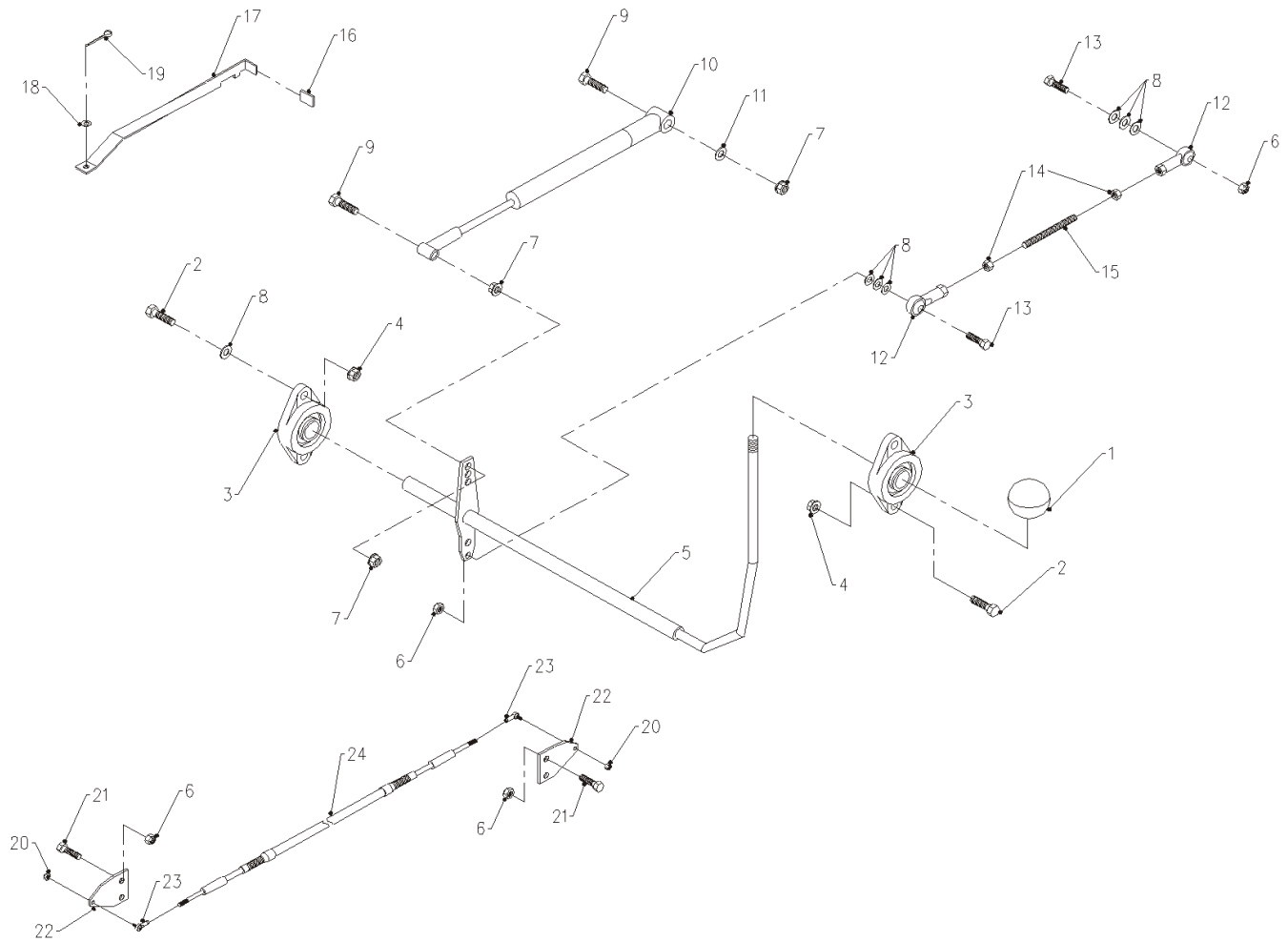
# PARTS

## FRONT HITCH ASSEMBLY

REF.	PART NO.	DESCRIPTION	QTY.
1 . . . . .	99.F0036 . . . . .	Spring Tightener Bolt . . . . .	1
2 . . . . .	99.G0008 . . . . .	1-1/4" SQ Beveled Washer . . . . .	2
3 . . . . .	86.0039 . . . . .	Weight Transfer Spring Plug . . . . .	1
4 . . . . .	41.0055 . . . . .	Weight Transfer Spring . . . . .	1
5 . . . . .	90.0816 . . . . .	1/2-13 x 2 Bolt . . . . .	2
6 . . . . .	95.16 . . . . .	1" SAE Flat Washer. . . . .	4
7 . . . . .	64.0807 . . . . .	Front Hitch Spacer . . . . .	2
8 . . . . .	41.0020 . . . . .	Spring. . . . .	1
9 . . . . .	99.A08 . . . . .	1/2-13 Lock Nut. . . . .	3
10 . . . . .	62.0810 . . . . .	Front Hitch Frame . . . . .	1
11 . . . . .	91.1018 . . . . .	5/8-18 x 2-1/4 Bolt . . . . .	1
12 . . . . .	99.A10NF . . . . .	5/8-18 Lock Nut. . . . .	1
13 . . . . .	83.0039 . . . . .	2-groove Idler Assembly (includes Ref. 14 & 15) . . . . .	1
14 . . . . .	55.0042 . . . . .	Idler Pulley Bearing . . . . .	2
15 . . . . .	85.B0074 . . . . .	Idler Pulley Bushing. . . . .	1
16 . . . . .	95.08 . . . . .	1/2 SAE Flat Washer . . . . .	5
17 . . . . .	90.0826 . . . . .	1/2-13 x 3-1/4 Bolt . . . . .	1
18 . . . . .	90.0818 . . . . .	1/2-13 x 2-1/4 Bolt . . . . .	1
19 . . . . .	40.0254 . . . . .	Hitch Lever . . . . .	1
20 . . . . .	99.E0058 . . . . .	1/2-13 Jam Nut . . . . .	1
21 . . . . .	92.08 . . . . .	1/2-13 Nut . . . . .	2
22 . . . . .	60.0704 . . . . .	Hitch Shield. . . . .	1
23 . . . . .	99.SF0406 . . . . .	1/4-20 x 3/4 Flange Bolt . . . . .	3
24 . . . . .	99.SF04 . . . . .	1/4-20 Flange Nut . . . . .	3
25 . . . . .	92.06 . . . . .	3/8-16 Nut . . . . .	1
26 . . . . .	99.G0004 . . . . .	3/8 Star Washer. . . . .	1
27 . . . . .	90.0608 . . . . .	3/8-16 x 1 Bolt . . . . .	1
28 . . . . .	06.0051 . . . . .	Rubber End Cap . . . . .	1

# PARTS

## ILLUSTRATED DRAWING CONTROL LINKAGE



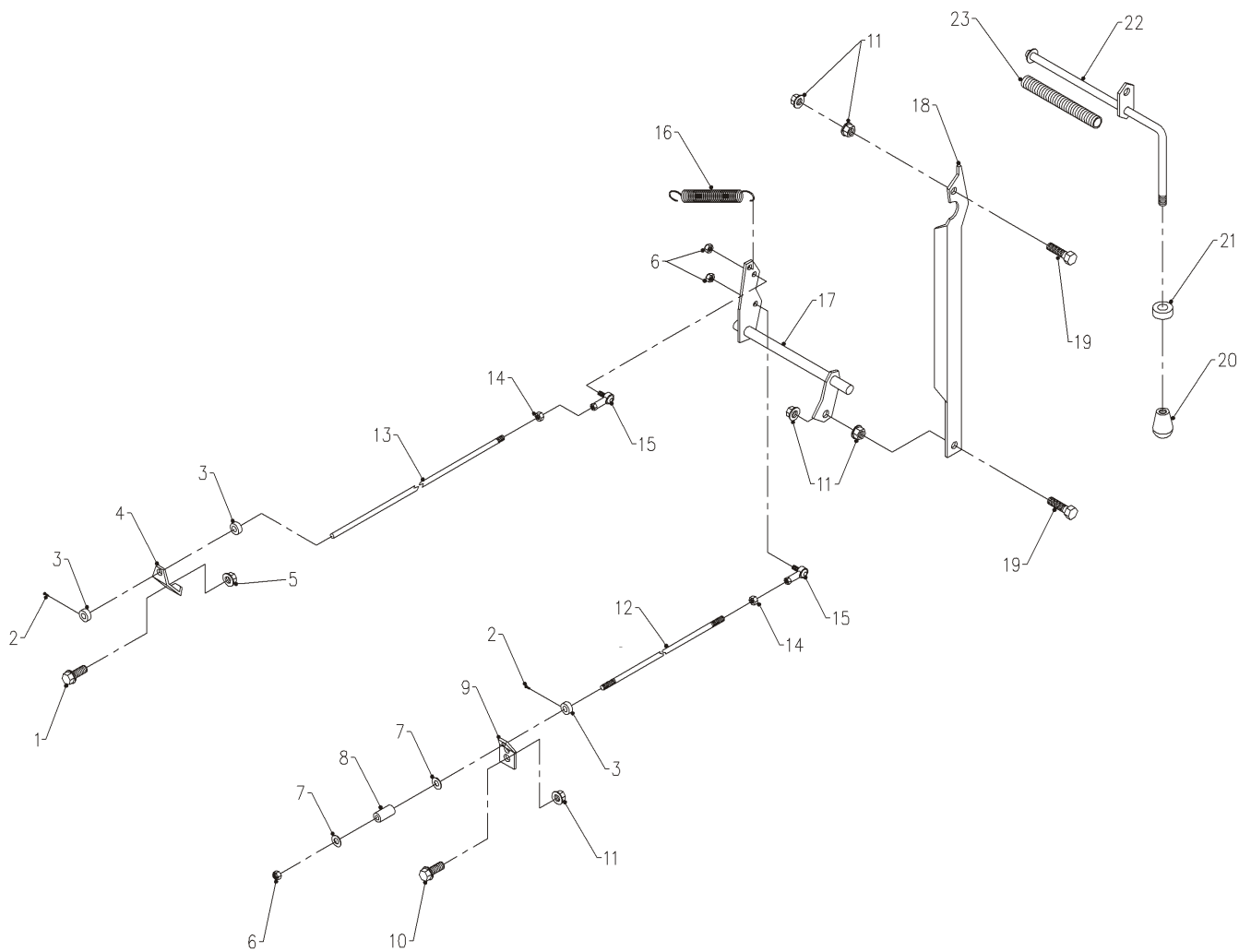
# PARTS

## CONTROL LINKAGE

REF.	PART NO.	DESCRIPTION	QTY.
1 . . . . .	47.0003 . . . . .	Round Knob . . . . .	1
2 . . . . .	90.0508 . . . . .	5/16-18 x 1 Bolt . . . . .	4
3 . . . . .	55.FB16012-1 . . . . .	3/4" Flange Block Bearing . . . . .	2
4 . . . . .	99.SF05 . . . . .	5/16-18 Flange Nut . . . . .	4
5 . . . . .	40.0255 . . . . .	Forward/Reverse Lever . . . . .	1
6 . . . . .	99.A05NFN . . . . .	5/16-24 Nylon Lock Nut . . . . .	5
<hr/>			
7 . . . . .	99.SF06 . . . . .	3/8-16 Flange Nut . . . . .	3
8 . . . . .	95.05 . . . . .	5/16 SAE Flat Washer . . . . .	8
9 . . . . .	90.0612 . . . . .	3/8-16 x 1-1/2 Bolt . . . . .	2
10 . . . . .	47.0002 . . . . .	Steering Damper/Stabilizer . . . . .	1
11 . . . . .	95.06 . . . . .	3/8 SAE Flat Washer . . . . .	1
12 . . . . .	43.005 . . . . .	5/16 Spherical Rod End . . . . .	2
<hr/>			
13 . . . . .	91.0510 . . . . .	5/16-24 x 1-1/4 Bolt . . . . .	2
14 . . . . .	93.05 . . . . .	5/16-24 Nut . . . . .	2
15 . . . . .	99.J0530NF . . . . .	5/16-24 x 3-3/4 Threaded Rod . . . . .	1
16 . . . . .	06.0044 . . . . .	Plastic Cap . . . . .	2
17 . . . . .	40.0258 . . . . .	Neutral Lever . . . . .	2
18 . . . . .	95.04 . . . . .	1/4 SAE Flat Washer . . . . .	2
<hr/>			
19 . . . . .	02.CP0306 . . . . .	Cotter Pin . . . . .	2
20 . . . . .	99.A1032N . . . . .	10-32 Nylon Lock Nut . . . . .	2
21 . . . . .	91.0506 . . . . .	5/16-24 x 3/4 Bolt . . . . .	3
22 . . . . .	64.0822 . . . . .	Cable Anchor . . . . .	2
23 . . . . .	43.10-32S . . . . .	10-32 Spherical Rod End w/Stud . . . . .	2
24 . . . . .	47.0152 . . . . .	Rear Axle Control Cable . . . . .	1

# PARTS

## ILLUSTRATED DRAWING PARK BRAKE LINKAGE



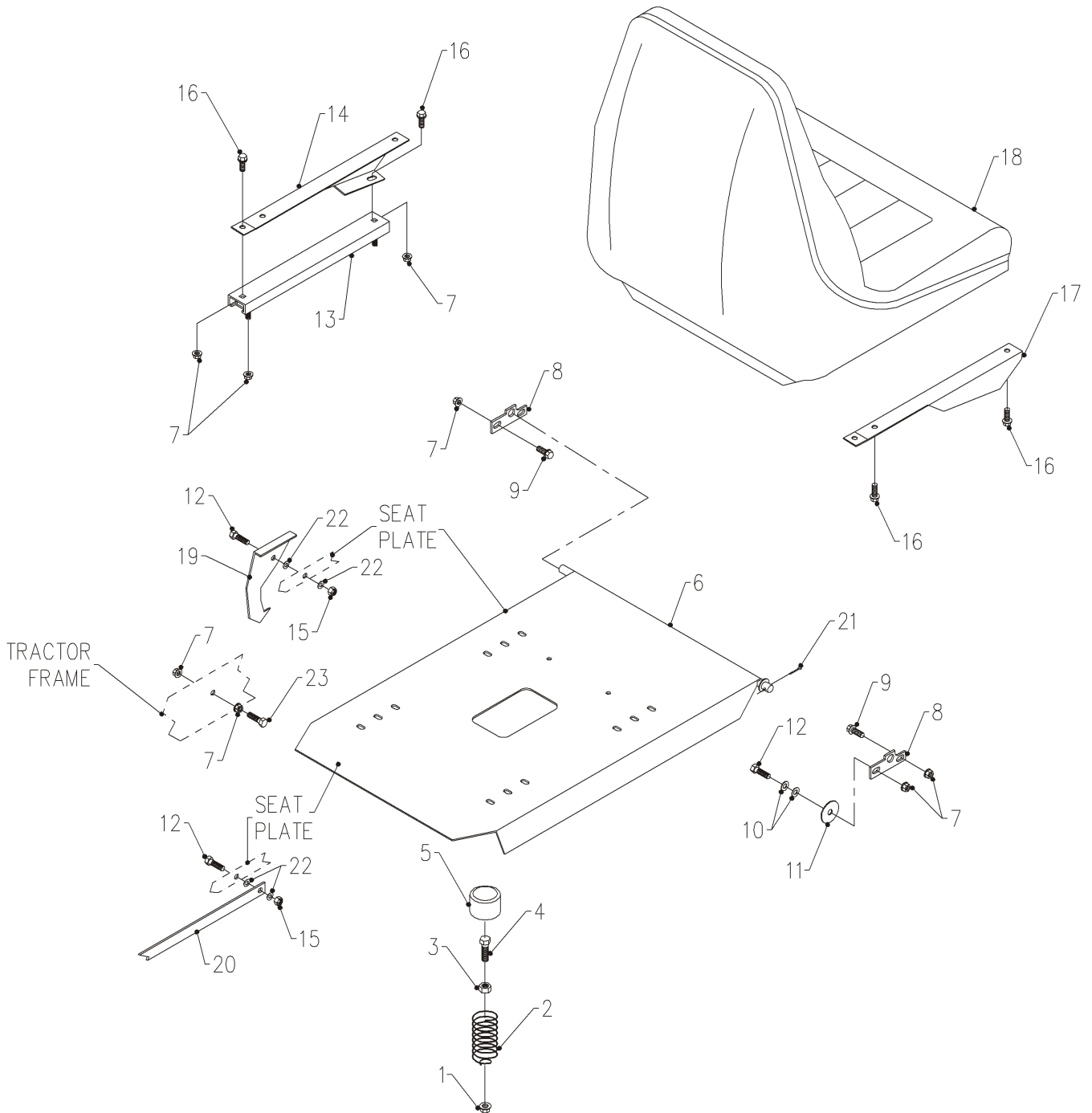
# PARTS

## PARK BRAKE LINKAGE

REF.	PART NO.	DESCRIPTION	QTY.
1 . . . . .	99.SF0506 . . . . .	5/16-18 x 3/4 Flange Bolt . . . . .	1
2 . . . . .	99.K0073 . . . . .	10-32 x 1/2 SHCS Bolt . . . . .	3
3 . . . . .	85.SC05 . . . . .	5/16 Set Collar . . . . .	3
4 . . . . .	64.0782 . . . . .	Neutral Arm Extension . . . . .	1
5 . . . . .	99.SF05 . . . . .	5/16-18 Flange Nut . . . . .	1
6 . . . . .	99.A04NFN . . . . .	1/4-28 Nylon Lock Nut . . . . .	3
7 . . . . .	95.04 . . . . .	1/4 SAE Flat Washer . . . . .	2
8 . . . . .	05.0065 . . . . .	Spacer . . . . .	1
9 . . . . .	64.0781 . . . . .	Brake Lever Extension . . . . .	1
10 . . . . .	99.SF0606 . . . . .	3/8-16 x 3/4 Flange Bolt . . . . .	1
11 . . . . .	99.SF06 . . . . .	3/8-16 Flange Nut . . . . .	5
12 . . . . .	42.0412 . . . . .	Brake Rod . . . . .	1
13 . . . . .	42.0411 . . . . .	Neutral Rod . . . . .	1
14 . . . . .	93.04 . . . . .	1/4-28 Nut . . . . .	2
15 . . . . .	43.004S . . . . .	1/4 Spherical Rod End w/Stud . . . . .	2
16 . . . . .	41.0064 . . . . .	Spring . . . . .	1
17 . . . . .	40.0256 . . . . .	Park/Cruise Rocker Arm . . . . .	1
18 . . . . .	42.0416 . . . . .	Selector Link . . . . .	1
19 . . . . .	90.0608 . . . . .	3/8-16 x 1 Bolt . . . . .	2
20 . . . . .	47.0001 . . . . .	Knob . . . . .	1
21 . . . . .	85.SC07 . . . . .	7/16 Set Collar . . . . .	1
22 . . . . .	40.0257 . . . . .	Park/Cruise Selector . . . . .	1
23 . . . . .	30.0132-6IN . . . . .	Loom, Split Corrugated 1/2 x 6" . . . . .	1

# PARTS

## ILLUSTRATED DRAWING SEAT ASSEMBLY



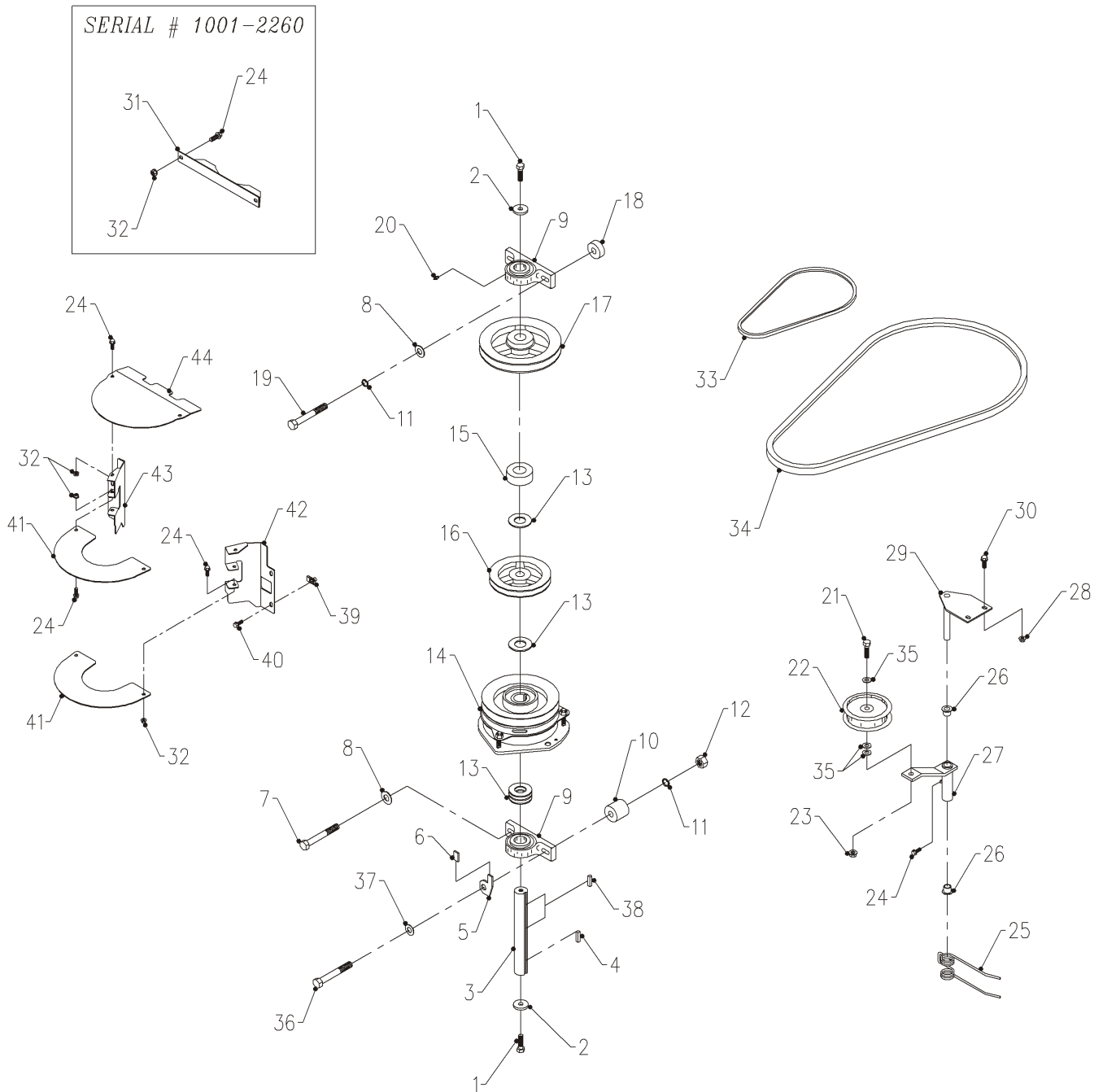
# PARTS

## SEAT ASSEMBLY

REF.	PART NO.	DESCRIPTION	QTY.
1 . . . . .	99.SF06 . . . . .	3/8-16 Flange Nut . . . . .	2
2 . . . . .	41.0057. . . . .	Spring. . . . .	2
3 . . . . .	92.08 . . . . .	1/2-13 Nut . . . . .	2
4 . . . . .	90.0610. . . . .	3/8-16 x 1-1/4 Bolt . . . . .	2
5 . . . . .	05.0053. . . . .	Spring Boot . . . . .	2
6 . . . . .	62.0815. . . . .	Seat Plate. . . . .	1
7 . . . . .	99.SF05 . . . . .	5/16-18 Flange Nut . . . . .	14
8 . . . . .	64.0772. . . . .	Seat Pivot Plate. . . . .	2
9 . . . . .	99.SF0506 . . . . .	5/16-18 x 3/4 Flange Bolt . . . . .	3
10 . . . . .	94.05 . . . . .	5/16 USS Flat Washer . . . . .	2
11 . . . . .	99.B0071. . . . .	3/8 Fender Washer . . . . .	1
12 . . . . .	90.0506. . . . .	5/16-18 x 3/4 Bolt. . . . .	3
13 . . . . .	47.0114. . . . .	Seat Slide Kit . . . . .	1
14 . . . . .	64.0770. . . . .	Left Seat Riser . . . . .	1
15 . . . . .	99.A05 . . . . .	5/16-18 Lock Nut . . . . .	2
16 . . . . .	99.SF0504 . . . . .	5/16-18 x 1/2 Flange Bolt . . . . .	8
17 . . . . .	64.0771. . . . .	Right Seat Riser . . . . .	1
18 . . . . .	47.0112. . . . .	Seat. . . . .	1
19 . . . . .	64.0997. . . . .	Seat Hold-down Latch . . . . .	1
20 . . . . .	64.0998. . . . .	Seat Prop. . . . .	1
21 . . . . .	02.CP0406 . . . . .	1/8 x 3/4 Cotter Pin . . . . .	1
22 . . . . .	94.04 . . . . .	1/4 USS Flat Washer . . . . .	4
23 . . . . .	90.0508. . . . .	5/16-18 x 1 Bolt. . . . .	1

# PARTS

## ILLUSTRATED DRAWING VERTICAL SHAFT, PULLEY ASSEMBLY





# PARTS

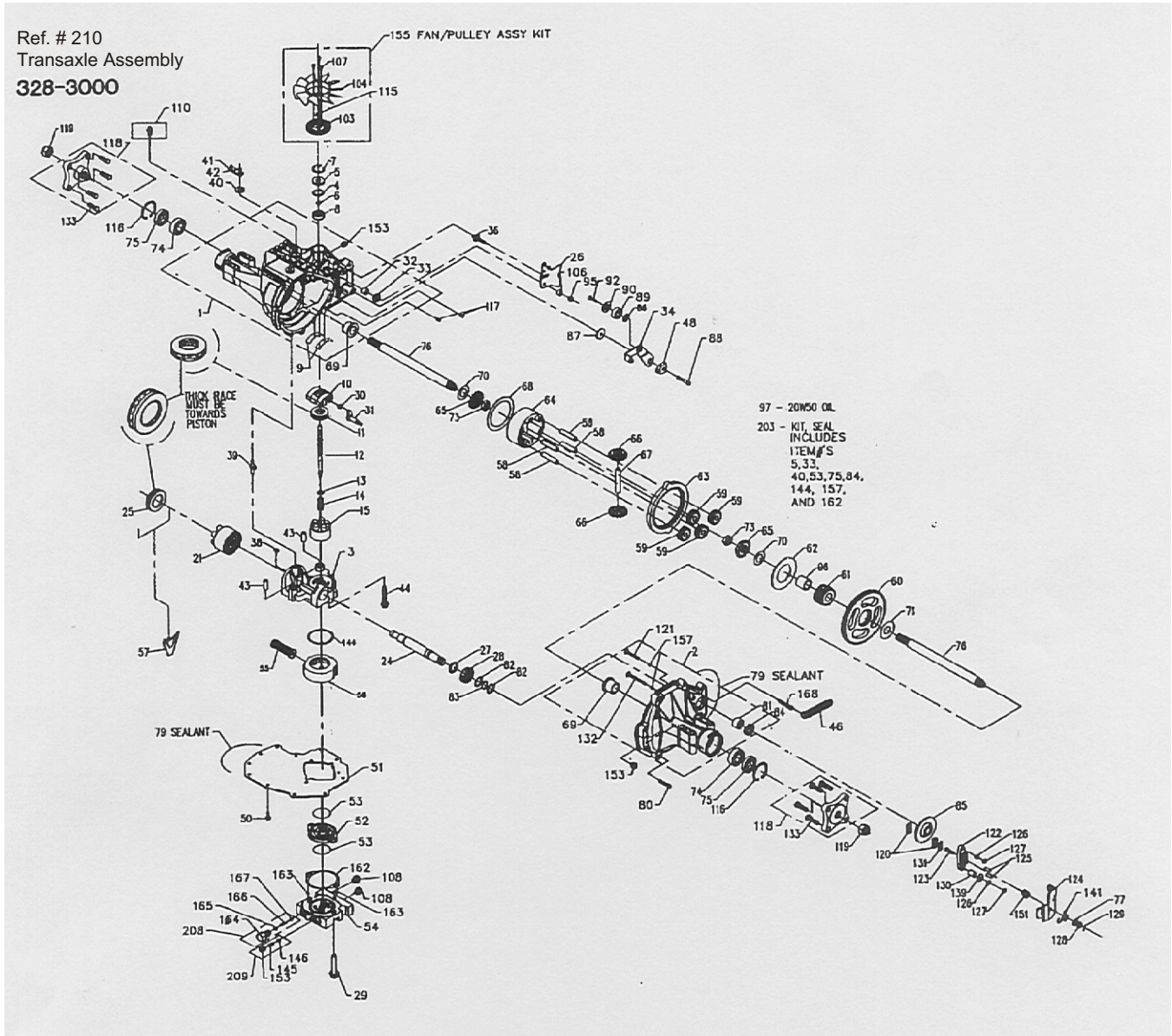
## VERTICAL SHAFT, PULLEY ASSEMBLY

REF.	PART NO.	DESCRIPTION	QTY.
1 . . . . .	91.0608 . . . . .	3/8-24 x 1 Bolt . . . . .	2
2 . . . . .	99.B0062 . . . . .	3/16 x 13/32 x 1-9/32 Washer . . . . .	2
3 . . . . .	80.0299 . . . . .	Vertical Power Shaft . . . . .	1
4 . . . . .	85.K0410 . . . . .	1/4 x 1-1/4 Key . . . . .	1
5 . . . . .	64.0823 . . . . .	Clutch Torque Bracket . . . . .	1
6 . . . . .	06.0044 . . . . .	Plastic Cap . . . . .	1
7 . . . . .	90.0824 . . . . .	1/2-13 x 3 Bolt . . . . .	1
8 . . . . .	94.08 . . . . .	1/2 USS Flat Washer . . . . .	3
9 . . . . .	55.PB22018-1 . . . . .	Pillow Block Bearing . . . . .	2
10 . . . . .	85.B0072 . . . . .	Bearing Spacer . . . . .	2
11 . . . . .	96.08 . . . . .	1/2 Lock Washer . . . . .	4
12 . . . . .	92.08 . . . . .	1/2-13 Nut . . . . .	2
13 . . . . .	99.B0059 . . . . .	10 ga. Machine Washer. . . . .	4
14 . . . . .	37.0048 . . . . .	Electric Clutch . . . . .	1
15 . . . . .	85.SC18 . . . . .	1-1/8 Set Collar . . . . .	1
16 . . . . .	83.AK5618 . . . . .	5.6" AK Pulley . . . . .	1
17 . . . . .	83.BK7018 . . . . .	7" BK Pulley . . . . .	1
18 . . . . .	85.B0071 . . . . .	Bearing Spacer . . . . .	2
19 . . . . .	90.0818 . . . . .	1/2-13 x 2-1/4 Bolt . . . . .	2
20 . . . . .	29.GF0001 . . . . .	1/4-28 Grease Fitting . . . . .	2
21 . . . . .	90.0614 . . . . .	3/8-16 x 1-3/4 Bolt . . . . .	1
22 . . . . .	83.0013 . . . . .	Flat Idler Pulley . . . . .	1
23 . . . . .	99.SF06 . . . . .	3/8-16 Flange Nut . . . . .	1
24 . . . . .	99.SF0404 . . . . .	1/4-20 x 1/2 Flange Bolt . . . . .	6
25 . . . . .	41.0065 . . . . .	Double Torsion Spring . . . . .	1
26 . . . . .	85.B0027 . . . . .	1/2 ID x 5/8 OD x 5/8 Bushing . . . . .	2
27 . . . . .	40.0274 . . . . .	PTO Idler Arm . . . . .	1
28 . . . . .	99.SF05 . . . . .	5/16-18 Flange Nut . . . . .	2
29 . . . . .	64.0820 . . . . .	PTO Idler Anchor Plate . . . . .	1
30 . . . . .	99.SF0506 . . . . .	5/16-18 x 3/4 Flange Bolt . . . . .	2
31 . . . . .	60.0717 . . . . .	Belt Shield (serial # 1001-2260) . . . . .	1
32 . . . . .	99.SF04 . . . . .	1/4-20 Flange Nut . . . . .	6
33 . . . . .	81.A038 . . . . .	A38 Belt. . . . .	1
34 . . . . .	81.A085 . . . . .	A85 Belt. . . . .	1
35 . . . . .	95.06 . . . . .	3/8 SAE Flat Washer . . . . .	3
36 . . . . .	90.0826 . . . . .	1/2-13 x 3-1/4 Bolt . . . . .	1
37 . . . . .	95.08 . . . . .	1/2 SAE Flat Washer . . . . .	1
38 . . . . .	85.K0408 . . . . .	1/4 x 1 Key . . . . .	2
39 . . . . .	99.E0046 . . . . .	1/4-20 U-Nut . . . . .	4
40 . . . . .	99.SF0406 . . . . .	1/4-20 x 3/4 Flange Bolt . . . . .	4
41 . . . . .	60.0923 . . . . .	Shield, Belt Shaft (serial # 2261--). . . . .	2
42 . . . . .	64.1193 . . . . .	Bracket, Shaft Shield, Right (serial # 2261--). . . . .	1
43 . . . . .	64.1194 . . . . .	Bracket, Shaft Shield, Left (serial # 2261--). . . . .	1
44 . . . . .	60.0922 . . . . .	Cover, Shaft Shield (serial # 2261--). . . . .	1

# PARTS

## ILLUSTRATED DRAWING 328-3000 FRONT TRANSAXLE

Serial # 1010-1999



# PARTS

## 328-3000 FRONT TRANSAXLE

Serial # 1010-1999

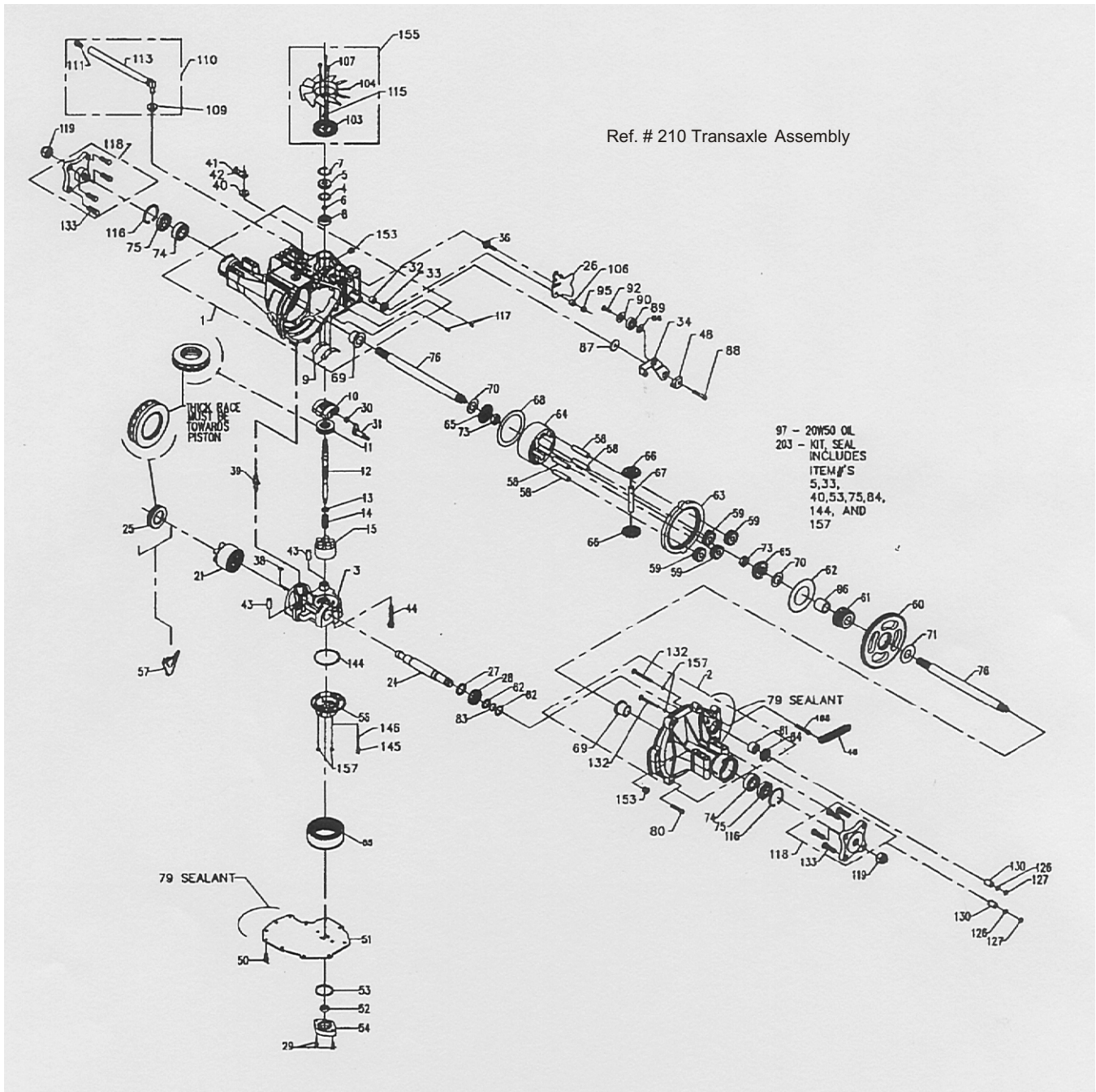
REF.	PART NO.	DESCRIPTION	QTY.
38 . . . .	51.0035. . . . .	Plate, Bypass . . . . .	1
41 . . . .	51.0036. . . . .	Arm, Bypass . . . . .	1
44 . . . .	51.0037. . . . .	Screw, 3/8-24 x 2-1/2 . . . . .	3
55 . . . .	51.0057. . . . .	Filter . . . . .	1
74 . . . .	55.0056. . . . .	Axle Bearing . . . . .	2
75 . . . .	89.0068. . . . .	Axle Seal . . . . .	2
76 . . . .	51.0039. . . . .	Axle Shaft. . . . .	2
79 . . . .	51.0040. . . . .	Sealant . . . . .	1
80 . . . .	51.0041. . . . .	Screw, Torx Head 5/16-18 . . . . .	8
85 . . . .	53.0147. . . . .	Disc, Brake . . . . .	1
103 . . . .	51.0042. . . . .	Pulley . . . . .	1
104 . . . .	51.0043. . . . .	Fan . . . . .	1
118. . . .	51.0046. . . . .	Hub Assembly . . . . .	2
119. . . .	51.0047. . . . .	Nut, Hex 3/4-16 . . . . .	2
120 . . . .	53.0145. . . . .	Pad, Brake Disc . . . . .	2
131 . . . .	53.0146. . . . .	Plate, Brake Disc Pad . . . . .	1
155 . . . .	51.0048. . . . .	Fan/Pulley Assembly Kit . . . . .	1
203 . . . .	51.0049. . . . .	Seal Kit . . . . .	1
210 . . . .	51.0024. . . . .	328-3000 Front Transaxle . . . . .	1

Listed items are stocked. Check availability of unlisted parts.

# PARTS

## ILLUSTRATED DRAWING 327-3000 REAR TRANSAXLE

Serial # 1010-1999



# PARTS

## 327-3000 REAR TRANSAXLE

Serial # 1010-1999

REF.	PART NO.	DESCRIPTION	QTY.
24 . . . .	51.0034. . . . .	Shaft, Motor. . . . .	1
38 . . . .	51.0035. . . . .	Plate, Bypass . . . . .	1
41 . . . .	51.0036. . . . .	Arm, Bypass . . . . .	1
44 . . . .	51.0037. . . . .	Screw, 3/8-24 x 2-1/2 . . . . .	3
55 . . . .	51.0038. . . . .	Filter . . . . .	1
74 . . . .	55.0056. . . . .	Axle Bearing . . . . .	2
75 . . . .	89.0068. . . . .	Axle Seal . . . . .	2
76 . . . .	51.0039. . . . .	Axle Shaft. . . . .	2
79 . . . .	51.0040. . . . .	Sealant . . . . .	1
80 . . . .	51.0041. . . . .	Screw, Torx Head 5/16-18 . . . . .	8
103 . . . .	51.0042. . . . .	Pulley . . . . .	1
104 . . . .	51.0043. . . . .	Fan . . . . .	1
110. . . .	51.0044. . . . .	Kit, Fitting . . . . .	1
111. . . .	51.0045. . . . .	Vent Cap Assembly. . . . .	1
118. . . .	51.0046. . . . .	Hub Assembly . . . . .	2
119. . . .	51.0047. . . . .	Nut, Hex 3/4-16. . . . .	2
155 . . . .	51.0048. . . . .	Fan/Pulley Assembly Kit . . . . .	1
203 . . . .	51.0049. . . . .	Seal Kit . . . . .	1
210 . . . .	51.0023. . . . .	327-3000 Rear Transaxle. . . . .	1

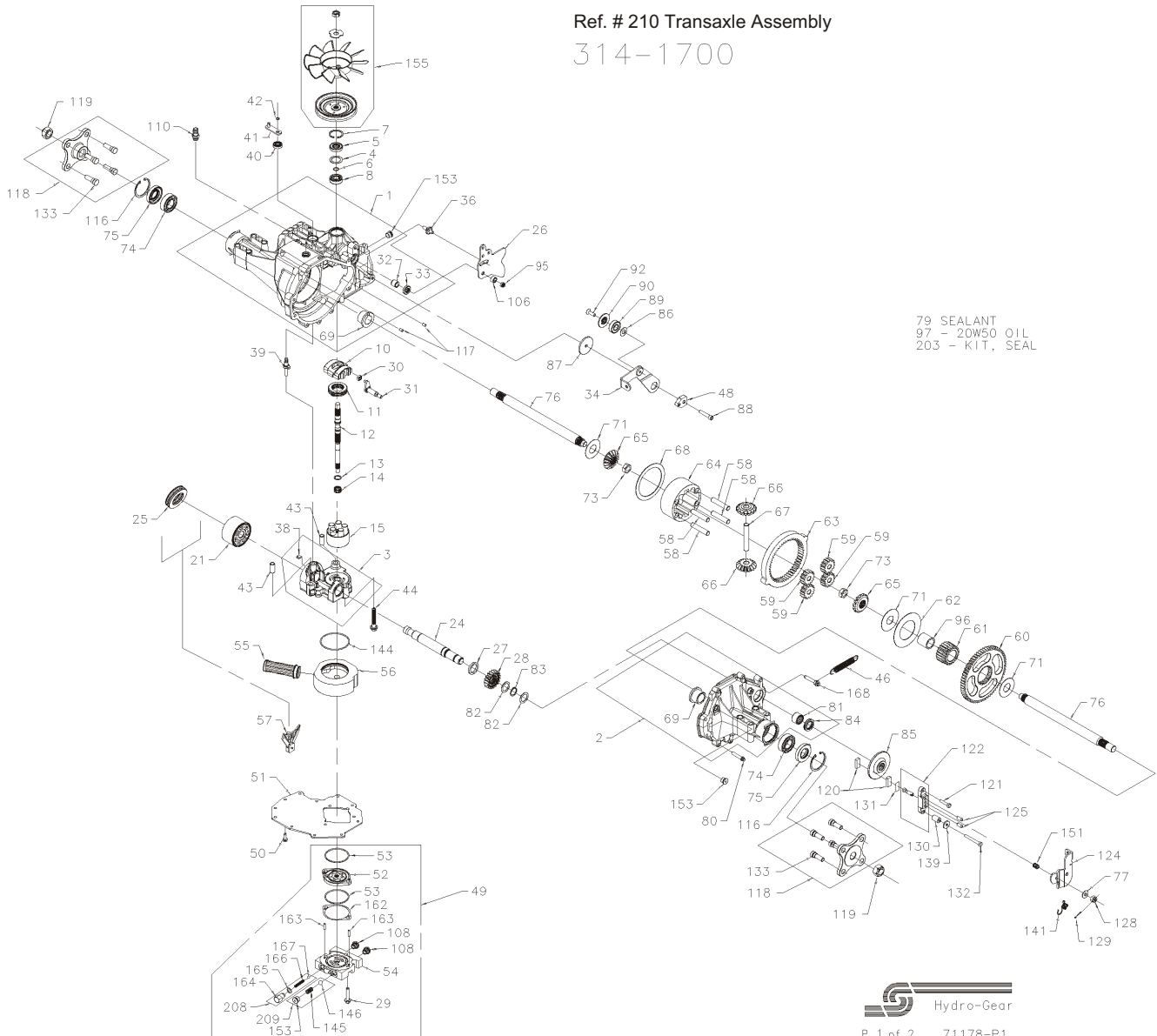
Listed items are stocked. Check availability of unlisted parts.

# PARTS

## ILLUSTRATED DRAWING 314-1700 FRONT TRANSAXLE

Serial # 2000--

Ref. # 210 Transaxle Assembly  
314-1700



# PARTS

## 314-1700 FRONT TRANSAXLE

Serial # 2000--

REF.	PART NO.	DESCRIPTION	QTY.
38 . . . .	51.0035. . . . .	Plate, Bypass . . . . .	1
41 . . . .	51.0036. . . . .	Arm, Bypass . . . . .	1
44 . . . .	51.0037. . . . .	Screw, 3/8-24 x 2-1/2 . . . . .	3
55 . . . .	51.0057. . . . .	Filter . . . . .	1
74 . . . .	55.0056. . . . .	Axle Bearing . . . . .	2
75 . . . .	89.0068. . . . .	Axle Seal . . . . .	2
<hr/>			
76 . . . .	51.0039. . . . .	Axle Shaft. . . . .	2
79 . . . .	51.0040. . . . .	Sealant . . . . .	1
80 . . . .	51.0041. . . . .	Screw, Torx Head 5/16-18 . . . . .	8
85 . . . .	53.0147. . . . .	Disc, Brake . . . . .	1
103 . . . .	51.0042. . . . .	Pulley . . . . .	1
104 . . . .	51.0043. . . . .	Fan . . . . .	1
<hr/>			
118. . . .	51.0046. . . . .	Hub Assembly . . . . .	2
119. . . .	51.0047. . . . .	Nut, Hex 3/4-16 . . . . .	2
120 . . . .	53.0145. . . . .	Pad, Brake Disc . . . . .	2
131 . . . .	53.0146. . . . .	Plate, Brake Disc Pad . . . . .	1
155 . . . .	51.0048. . . . .	Fan/Pulley Assembly Kit . . . . .	1
203 . . . .	51.0049. . . . .	Seal Kit . . . . .	1
<hr/>			
210 . . . .	51.0061. . . . .	314-1700 Front Transaxle . . . . .	1

Listed items are stocked. Check availability of unlisted parts.

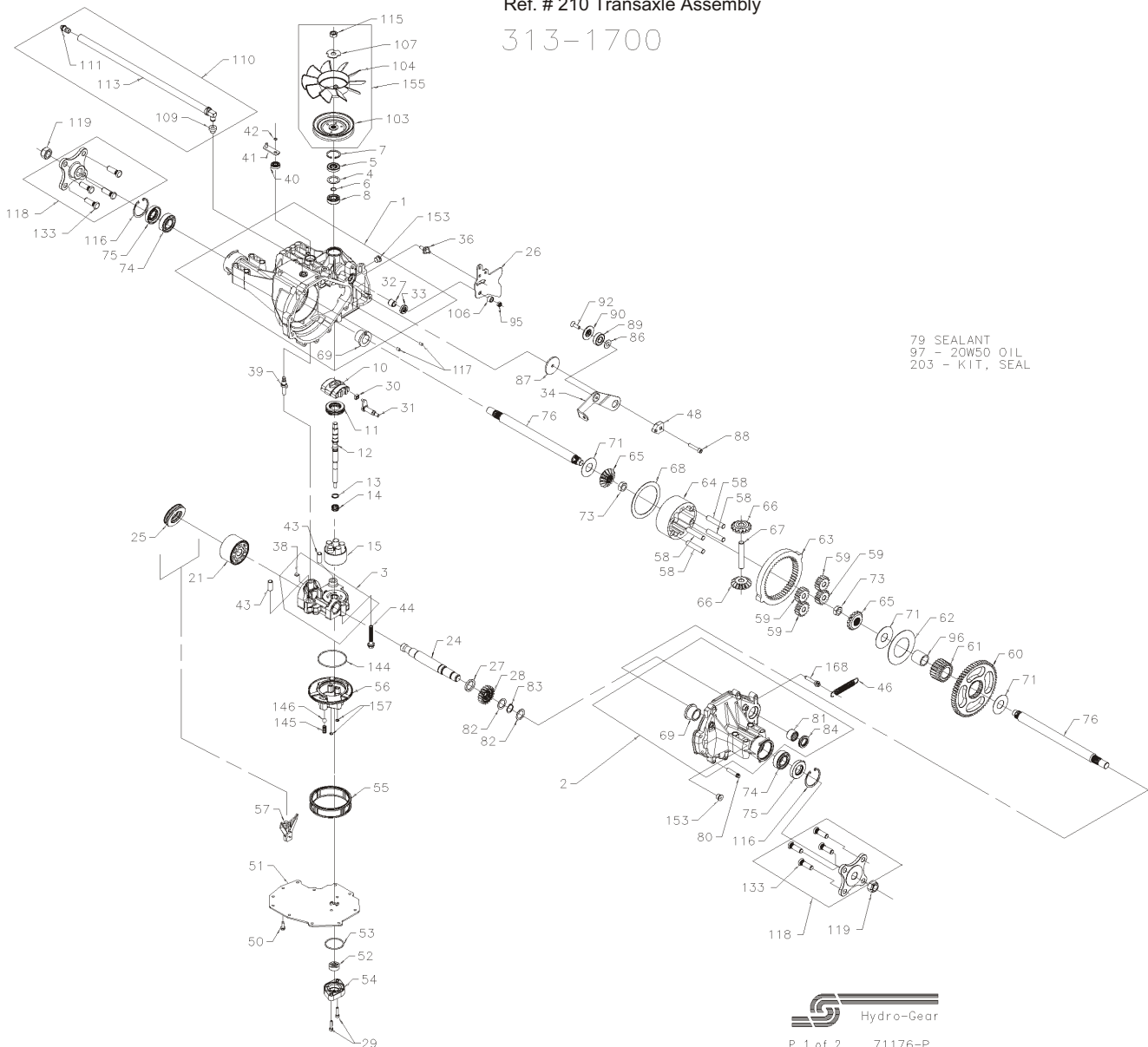
# PARTS

## ILLUSTRATED DRAWING 313-1700 REAR TRANSAXLE

Serial # 2000--

Ref. # 210 Transaxle Assembly

313-1700





# PARTS

## 313-1700 REAR TRANSAXLE

Serial # 2000--

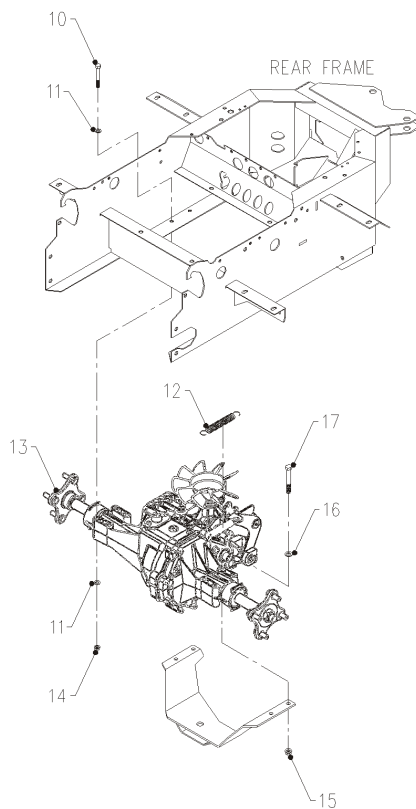
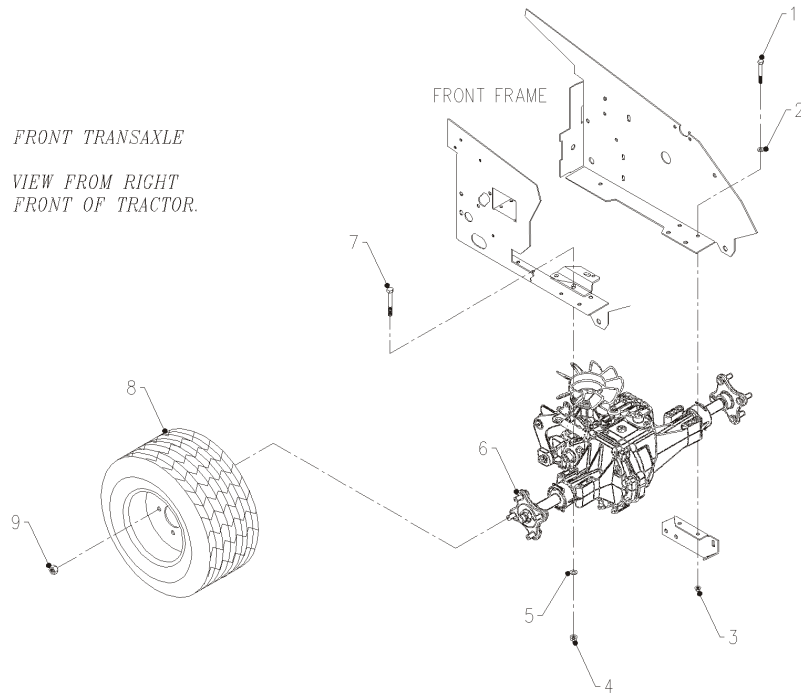
REF.	PART NO.	DESCRIPTION	QTY.
24 . . . .	51.0034. . . . .	Shaft, Motor. . . . .	1
38 . . . .	51.0035. . . . .	Plate, Bypass . . . . .	1
41 . . . .	51.0036. . . . .	Arm, Bypass . . . . .	1
44 . . . .	51.0037. . . . .	Screw, 3/8-24 x 2-1/2 . . . . .	3
55 . . . .	51.0038. . . . .	Filter . . . . .	1
74 . . . .	55.0056. . . . .	Axle Bearing . . . . .	2
75 . . . .	89.0068. . . . .	Axle Seal . . . . .	2
76 . . . .	51.0039. . . . .	Axle Shaft. . . . .	2
79 . . . .	51.0040. . . . .	Sealant . . . . .	1
80 . . . .	51.0041. . . . .	Screw, Torx Head 5/16-18 . . . . .	8
103 . . . .	51.0042. . . . .	Pulley . . . . .	1
104 . . . .	51.0043. . . . .	Fan . . . . .	1
110. . . .	51.0044. . . . .	Kit, Fitting . . . . .	1
111. . . .	51.0045. . . . .	Vent Cap Assembly. . . . .	1
118. . . .	51.0046. . . . .	Hub Assembly . . . . .	2
119. . . .	51.0047. . . . .	Nut, Hex 3/4-16. . . . .	2
155 . . . .	51.0048. . . . .	Fan/Pulley Assembly Kit . . . . .	1
203 . . . .	51.0049. . . . .	Seal Kit . . . . .	1
210 . . . .	51.0060. . . . .	313-1700 Rear Transaxle. . . . .	1

Listed items are stocked. Check availability of unlisted parts.

# PARTS

## ILLUSTRATED DRAWING TRANSAXLE/FRAME MOUNT & TIRES

*FRONT TRANSAXLE  
VIEW FROM RIGHT  
FRONT OF TRACTOR.*



*REAR TRANSAXLE  
VIEW FROM RIGHT  
REAR OF TRACTOR.*

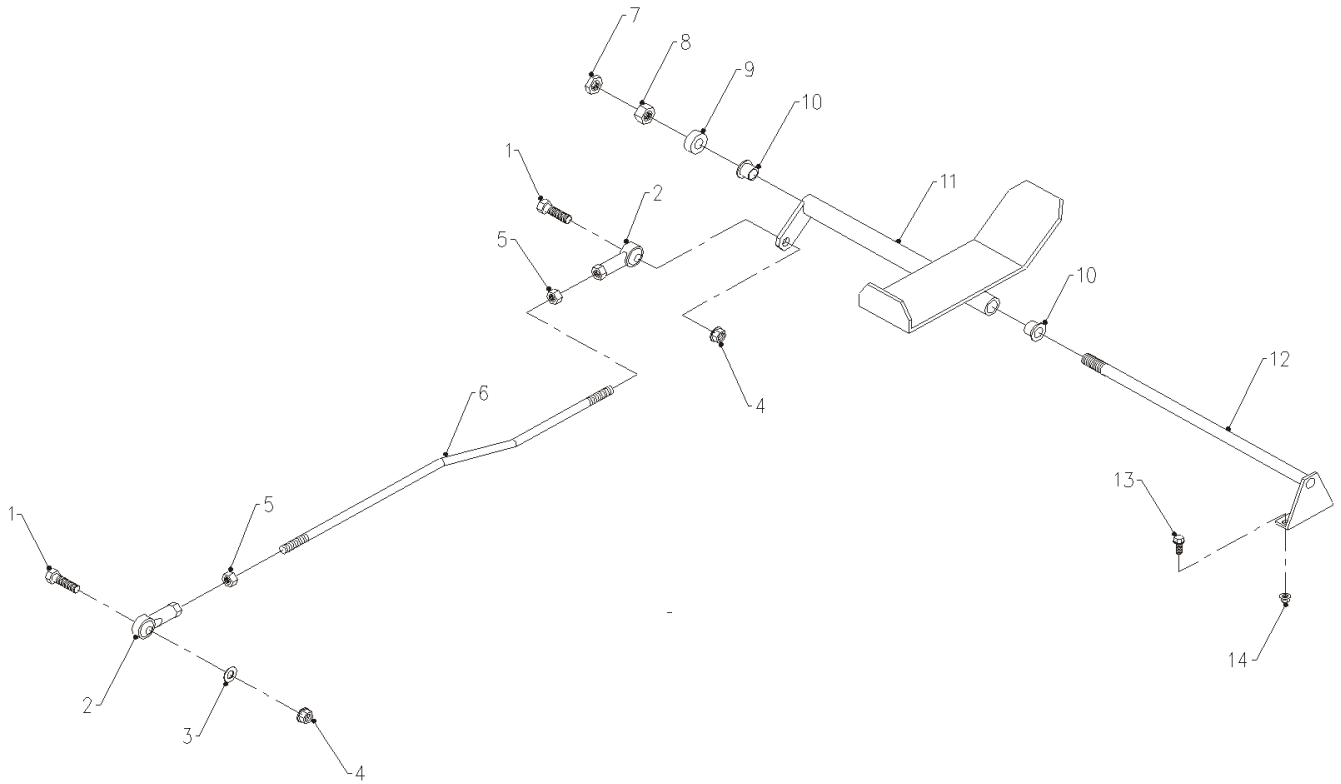
# PARTS

## TRANSAXLE/FRAME MOUNT & TIRES

REF.	PART NO.	DESCRIPTION	QTY.
1 . . . . .	90.0524 . . . . .	5/16-18 x 3 Bolt . . . . .	4
2 . . . . .	95.05 . . . . .	5/16 SAE Flat Washer . . . . .	4
3 . . . . .	99.SF05 . . . . .	5/16-18 Flange Nut . . . . .	4
4 . . . . .	99.SF06 . . . . .	3/8-16 Flange Nut . . . . .	4
5 . . . . .	94.06 . . . . .	3/8 USS Flat Washer . . . . .	4
6 . . . . .	51.0024 . . . . .	328-3000 Front Transaxle (Serial # 1010-1999) . . . . .	1
. . . . .	51.0061 . . . . .	314-1700 Front Transaxle (Serial # 2000--). . . . .	1
<hr/>			
7 . . . . .	90.0624 . . . . .	3/8-16 x 3 Bolt . . . . .	4
8 . . . . .	53.0094 . . . . .	Mutli Trac Wheel/Rim Assembly . . . . .	4
. . . . .	53.0117 . . . . .	Multi Trac Tire only . . . . .	4
. . . . .	53.0115 . . . . .	Optional Fast Trax Wheel/Rim Assembly. . . . .	4
. . . . .	53.0116 . . . . .	Optional Fast Trax Tire only . . . . .	4
. . . . .	53.0106 . . . . .	10 x 8.5 4-bolt Rim (for 53.0094 & 53.0115). . . . .	4
<hr/>			
9 . . . . .	99.E0001 . . . . .	1/2-20 Lug Nut . . . . .	16
10 . . . . .	90.0524 . . . . .	5/16-18 x 3 Bolt . . . . .	4
11 . . . . .	94.05 . . . . .	5/16 USS Flat Washer . . . . .	8
12 . . . . .	41.0064 . . . . .	3/4 x 3-1/2 Extension Spring . . . . .	1
13 . . . . .	51.0023 . . . . .	327-3000 Rear Transaxle (Serial # 1010-1999). . . . .	1
. . . . .	51.0060 . . . . .	313-1700 Rear Transaxle (Serial # 2000--). . . . .	1
14 . . . . .	99.SF05 . . . . .	5/16-18 Flange Nut . . . . .	4
<hr/>			
15 . . . . .	99.SF06 . . . . .	3/8-16 Flange Nut . . . . .	4
16 . . . . .	95.06 . . . . .	3/8 SAE Flat Washer . . . . .	4
17 . . . . .	90.0624 . . . . .	3/8-16 x 3 Bolt . . . . .	4

# PARTS

## ILLUSTRATED DRAWING FOOT PEDAL



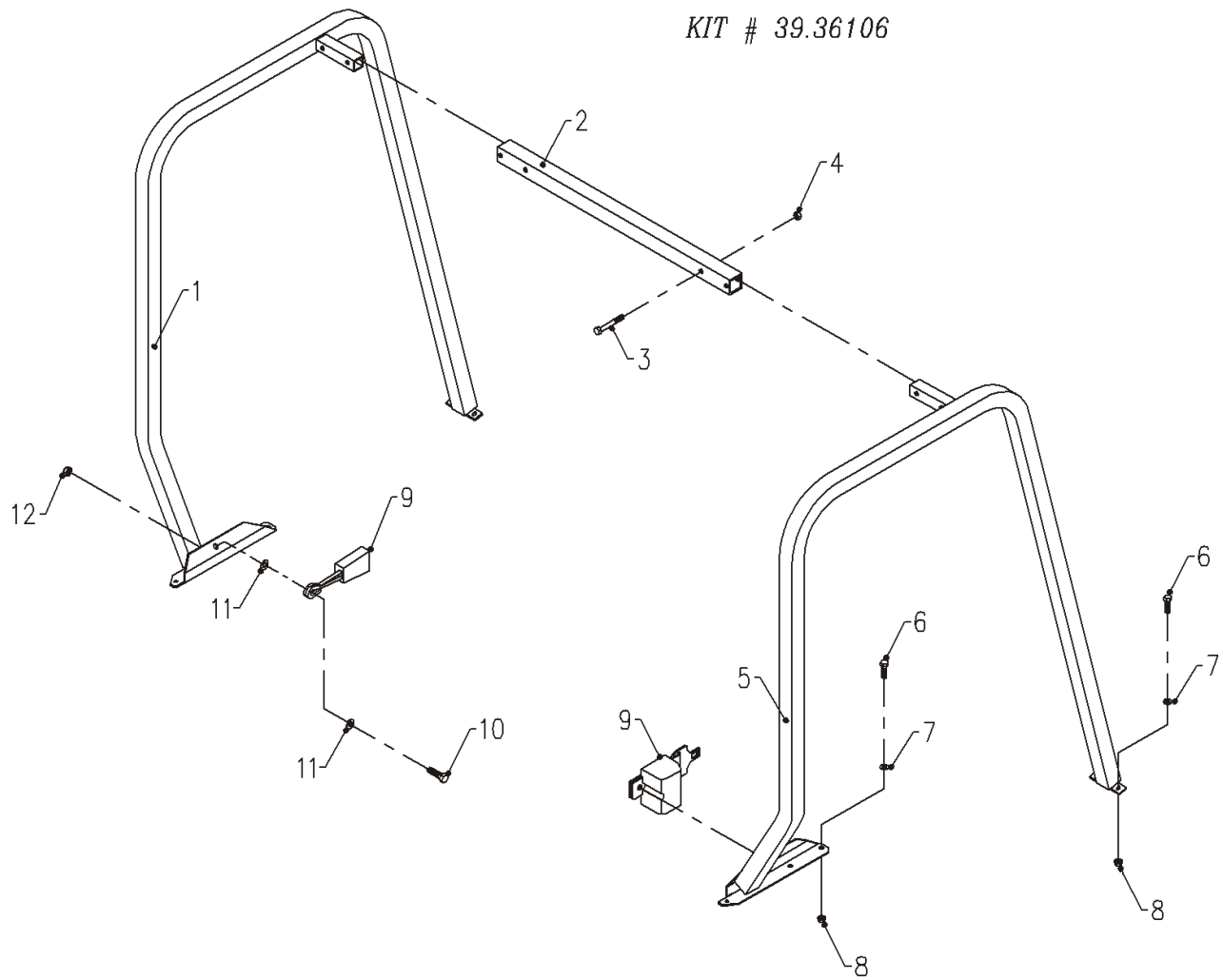
# PARTS

## FOOT PEDAL

REF.	PART NO.	DESCRIPTION	QTY.
1 . . . . .	90.0610 . . . . .	3/8-16 x 1-1/4 Bolt . . . . .	2
2 . . . . .	43.0006 . . . . .	3/8 Spherical Rod End . . . . .	2
3 . . . . .	95.06 . . . . .	3/8 SAE Flat Washer . . . . .	1
4 . . . . .	99.SF06 . . . . .	3/8-16 Flange Nut . . . . .	2
5 . . . . .	93.06 . . . . .	3/8-24 Nut . . . . .	2
6 . . . . .	42.0415 . . . . .	Connection Rod . . . . .	1
7 . . . . .	99.E0058 . . . . .	1/2-13 Jam Nut . . . . .	1
8 . . . . .	92.08 . . . . .	1/2-13 Nut . . . . .	1
9 . . . . .	85.SC08 . . . . .	1/2 Set Collar . . . . .	1
10 . . . . .	85.B0027 . . . . .	1/2 ID x 5/8 OD x 5/8 Bushing . . . . .	2
11 . . . . .	62.0816 . . . . .	Foot Pedal . . . . .	1
12 . . . . .	64.0773 . . . . .	Foot Pedal Anchor . . . . .	1
13 . . . . .	99.SF0404 . . . . .	1/4-20 x 1/2 Flange Bolt . . . . .	2
14 . . . . .	99.SF04 . . . . .	1/4-20 Flange Nut . . . . .	2

# PARTS

## ILLUSTRATED DRAWING ROLL CAGE



# PARTS

## ROLL CAGE

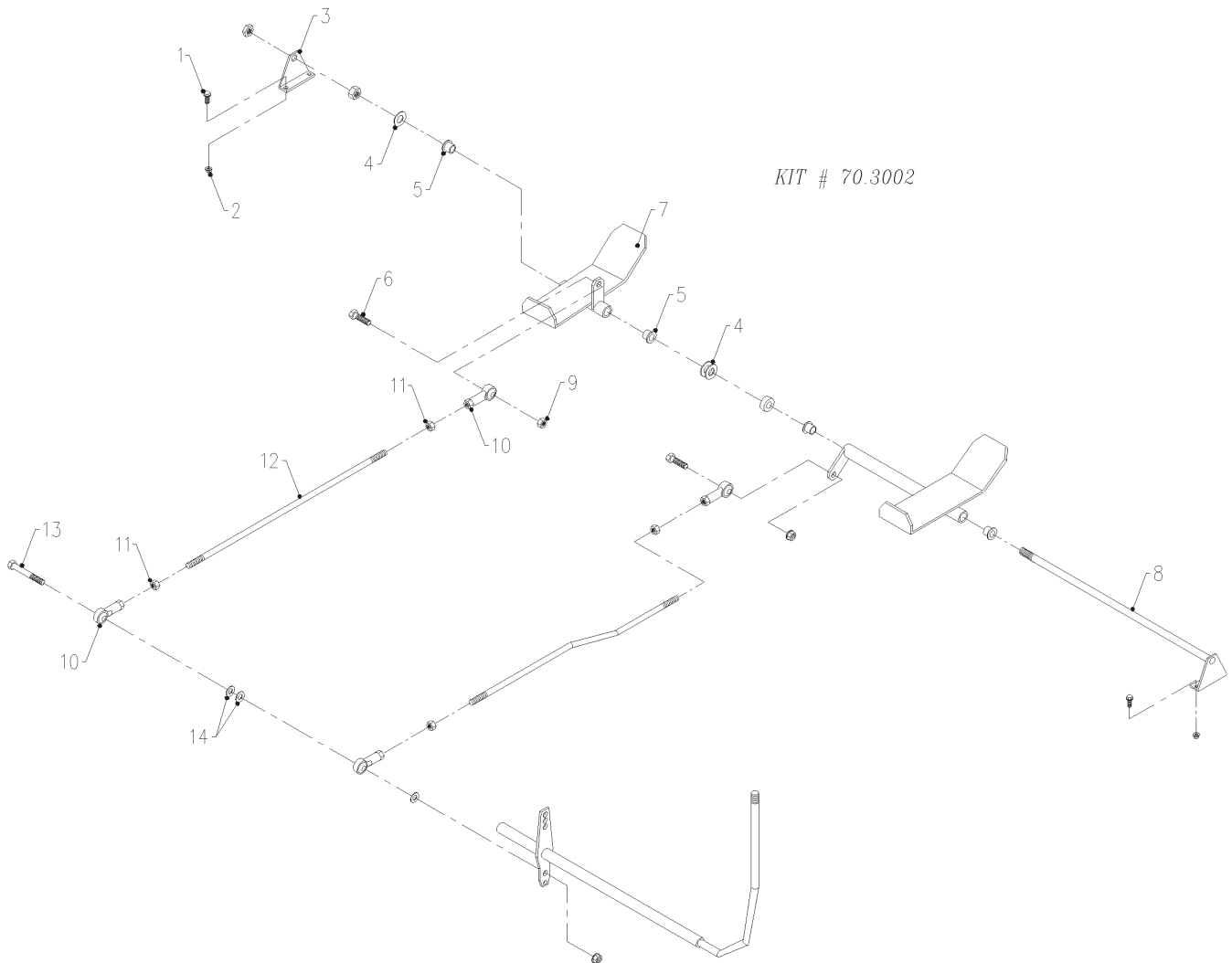
REF.	PART NO.	DESCRIPTION	QTY.
1 . . . . .	62.0862 . . . . .	Roll Cage, Left Bar . . . . .	1
2 . . . . .	64.0862 . . . . .	Cross Bar . . . . .	1
3 . . . . .	90.0616 . . . . .	3/8-16 x 2 Bolt . . . . .	4
4 . . . . .	99.A06 . . . . .	3/8-16 Lock Nut . . . . .	4
5 . . . . .	62.0863 . . . . .	Roll Cage, Right Bar . . . . .	1
6 . . . . .	90.0606 . . . . .	3/8-16 x 3/4 Bolt . . . . .	10
7 . . . . .	95.06 . . . . .	3/8 SAE Flat Washer . . . . .	10
8 . . . . .	99.SF06 . . . . .	3/8-16 Flange Nut . . . . .	10
9 . . . . .	47.0180 . . . . .	Seat Belt Assembly . . . . .	1
. . . . .	47.0180-1 . . . . .	Seat Belt, Right Side Lap Belt . . . . .	1
. . . . .	47.0180-2 . . . . .	Seat Belt, Left Side Buckle w/Switch . . . . .	1
10 . . . . .	90.0708 . . . . .	7/16-14 x 1 Bolt . . . . .	2
11 . . . . .	95.07 . . . . .	7/16 SAE Flat Washer . . . . .	4
12 . . . . .	99.A07 . . . . .	7/16-14 Lock Nut . . . . .	2

---

# PARTS

## ILLUSTRATED DRAWING LEFT FOOT PEDAL

Unlisted items are standard tractor parts.





# PARTS

## LEFT FOOT PEDAL

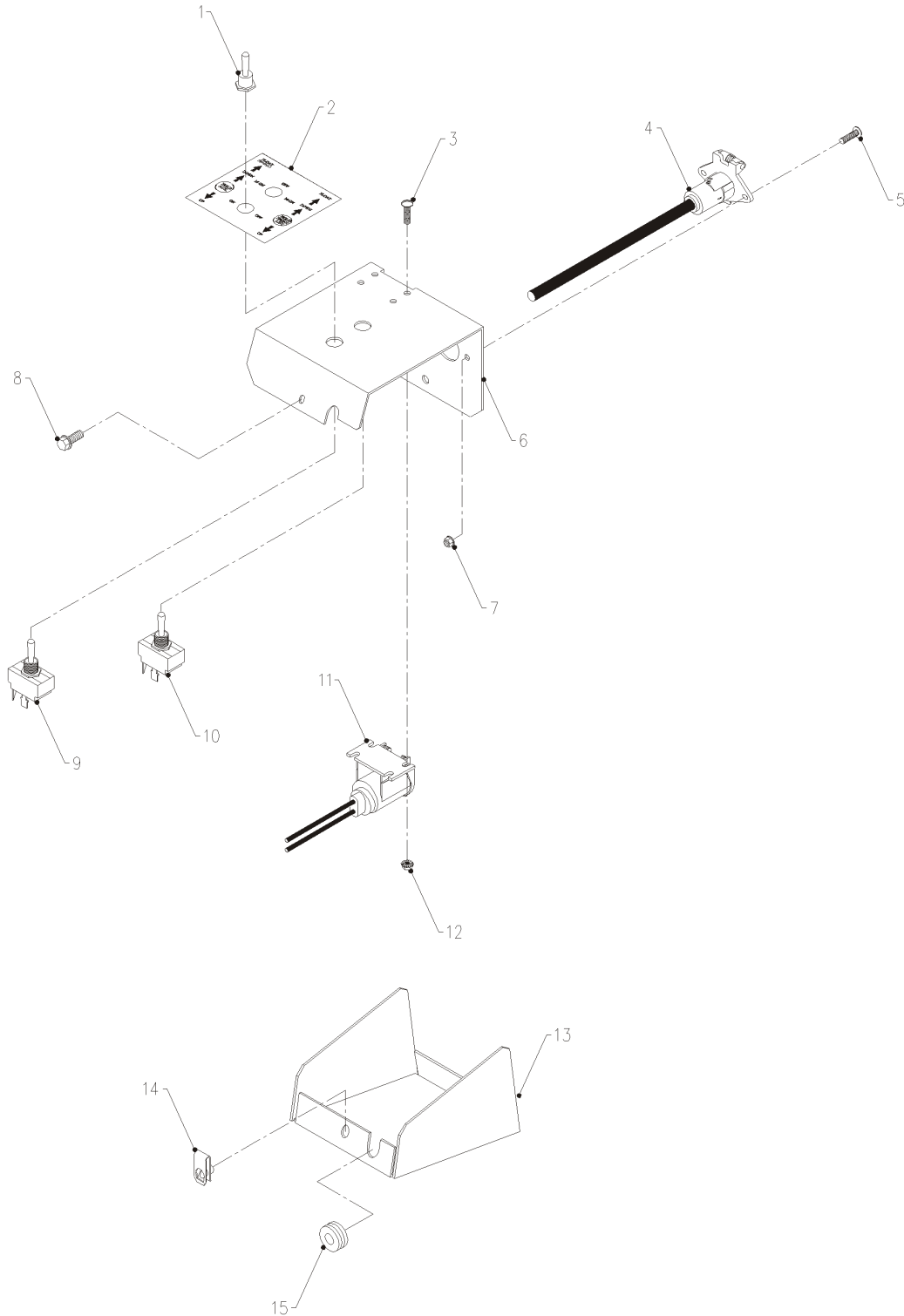
REF.	PART NO.	DESCRIPTION	QTY.
1 . . . . .	99.SF0404 . . . . .	1/4-20 x 1/2 Flange Bolt . . . . .	2
2 . . . . .	99.SF04 . . . . .	1/4-20 Flange Nut . . . . .	2
3 . . . . .	64.0988 . . . . .	Left Foot Pedal Anchor . . . . .	1
4 . . . . .	95.08 . . . . .	1/2 SAE Flat Washer . . . . .	4
5 . . . . .	85.B0027 . . . . .	1/2 ID x 5/8 OD x 5/8 Bushing . . . . .	2
6 . . . . .	90.0608 . . . . .	3/8-16 x 1 Bolt . . . . .	1
7 . . . . .	62.0924 . . . . .	Left Foot Pedal . . . . .	1
8 . . . . .	64.0985 . . . . .	Foot Pedal Anchor . . . . .	1
9 . . . . .	92.06 . . . . .	3/8-16 Nut . . . . .	1
10 . . . . .	43.006 . . . . .	3/8 Spherical Rod End . . . . .	2
11 . . . . .	93.06 . . . . .	3/8-24 Nut . . . . .	2
12 . . . . .	42.0447 . . . . .	Left Connecting Rod . . . . .	1
13 . . . . .	90.0616 . . . . .	3/8-16 x 2 Bolt . . . . .	1
14 . . . . .	95.06 . . . . .	3/8 SAE Flat Washer . . . . .	2

# PARTS

## ILLUSTRATED DRAWING 12v SWITCH & PLUG

SERIAL # 1010-1346 USES KIT # 70.3008.

SERIAL # 1347-- USES KIT # 70.3007.



# PARTS

---

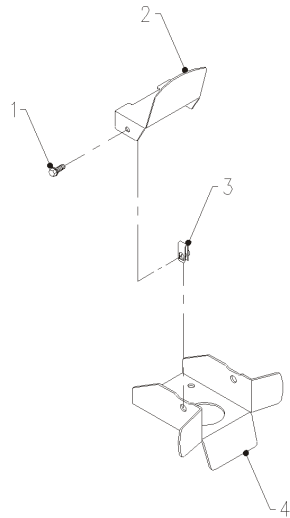
## 12v SWITCH & PLUG

REF.	PART NO.	DESCRIPTION	QTY.
1 . . . . .	30.0157 . . . . .	Boot, Toggle Switch. . . . .	2
2 . . . . .	00.0214 . . . . .	Decal, 12v Switch/Plug LT . . . . .	1
3 . . . . .	99.K0042 . . . . .	10-32 x 3/8 Machine Screw. . . . .	4
4 . . . . .	34.1400-1008 . . . . .	14 ga. 4 Wire x 10" w/Plug . . . . .	1
5 . . . . .	99.K0062 . . . . .	10-32 x 1/2 Machine Screw. . . . .	2
6 . . . . .	64.1128 . . . . .	Switch/Plug Cover . . . . .	1
<hr/>			
7 . . . . .	99.E0035 . . . . .	10-32 Flange Nut . . . . .	2
8 . . . . .	99.SF0405-1 . . . . .	1/4-20 x 5/8 Flange Bolt w/Rubber . . . . .	2
9 . . . . .	31.0034 . . . . .	Toggle Switch, on/off . . . . .	1
10 . . . . .	31.0041 . . . . .	Toggle Switch, Momentary on/off/on . . . . .	1
11 . . . . .	30.0221 . . . . .	12 Volt All Weather Outlet . . . . .	1
12 . . . . .	99.E0049 . . . . .	10-32 Washer Nut . . . . .	4
<hr/>			
13 . . . . .	64.1129 . . . . .	Switch/Plug Mount Base . . . . .	1
14 . . . . .	99.E0046 . . . . .	1/4-20 U-nut . . . . .	2
15 . . . . .	05.0101 . . . . .	3/8 ID x 7/8 OD x 3/8 T Grommet. . . . .	1

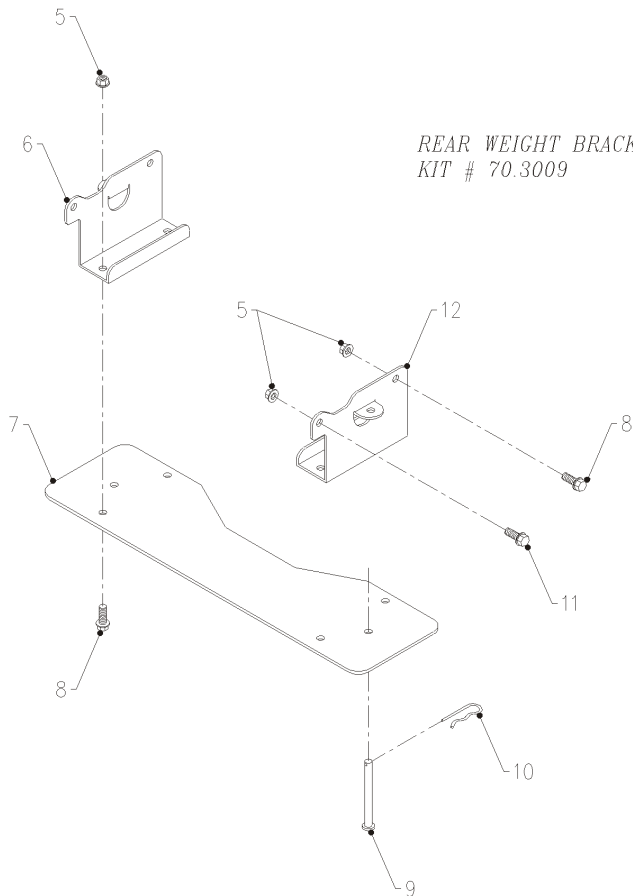
# PARTS

---

## ILLUSTRATED DRAWING AXLE SEAL GUARD & REAR WEIGHT BRACKET



*AXLE GRASS GUARD  
KIT # 70.3006*



*REAR WEIGHT BRACKET  
KIT # 70.3009*

# PARTS

---

## AXLE SEAL GUARD & REAR WEIGHT BRACKET

REF.	PART NO.	DESCRIPTION	QTY.
1 . . . . .	99.SF0405-1 . . . . .	1/4-20 x 5/8 Flange Bolt w/Rubber . . . . .	8
2 . . . . .	64.1118 . . . . .	Top Grass Guard . . . . .	4
3 . . . . .	99.E0046 . . . . .	1/4-20 U-nut . . . . .	8
4 . . . . .	64.1117 . . . . .	Bottom Grass Guard . . . . .	4
5 . . . . .	99.SF06 . . . . .	3/8-16 Flange Nut . . . . .	8
6 . . . . .	64.1138 . . . . .	End Plate - Left . . . . .	1
<hr/>			
7 . . . . .	62.1026 . . . . .	Rear Weight Shelf . . . . .	1
8 . . . . .	99.SF0606 . . . . .	3/8-16 x 3/4 Flange Bolt . . . . .	6
9 . . . . .	03.0632 . . . . .	3/8 x 4 Clevis Pin . . . . .	2
10 . . . . .	02.HP0416 . . . . .	1/8 x 2 Hair Pin . . . . .	2
11 . . . . .	99.SF0608 . . . . .	3/8-16 x 1 Flange Bolt . . . . .	2
12 . . . . .	64.1139 . . . . .	End Plate - Right . . . . .	1

**NOTE:** Weights (part # 47.0115) are not included with the weight bracket kit. They must be ordered separately.