



## **PARTS MANUAL**

# **3000 SERIES CAB**

**Model LW150**





Orrville, OH

[www.ventrac.com](http://www.ventrac.com)

## TO THE OWNER

*Congratulations on the purchase of a new VENTRAC **LW150 Cab!** The purpose of this manual is to assist you in its safe and effective operation and maintenance.*

*With proper usage and care, the **Cab** will provide many years of service. Please read and understand this manual entirely before using the **Cab**. Keep this manual on file for future reference.*

*Always give Model and Serial # when ordering service parts.*

*Please fill in the following information for future reference:*

Date of Purchase: Month \_\_\_\_\_ Day \_\_\_\_\_ Year \_\_\_\_\_

Model Number: \_\_\_\_\_

Serial Number: \_\_\_\_\_

Dealer: \_\_\_\_\_

Dealer Address: \_\_\_\_\_

\_\_\_\_\_

Dealer Phone Number: \_\_\_\_\_

Dealer FAX Number: \_\_\_\_\_

Venture Products Inc. reserves the right to make changes in design or specifications without incurring obligation to make like changes on previously manufactured products.

# TABLE OF CONTENTS

---

<b>INTRODUCTION</b>	<b>SECTION A</b>
Description & Specifications . . . . .	A-1
<b>SAFETY</b>	<b>SECTION B</b>
Safety Symbols . . . . .	B-1
General Safety Procedures . . . . .	B-2
<b>PARTS &amp; ILLUSTRATED DRAWINGS</b>	<b>SECTION C</b>
Electrical Diagram . . . . .	C-1
Roof Panel & Strobe Mount . . . . .	C-2 & 3
Windshield . . . . .	C-4 & 5
Headlights & Windshield Wiper . . . . .	C-6 & 7
Left Side & Door. . . . .	C-8 & 9
Sheet Metal & Canvas . . . . .	C-10 & 11
<b>WARRANTY</b>	

# INTRODUCTION

---

## Product Description LW150 Cab

The LW150 Cab is designed for use on the Ventrac 3000 series tractor. The cab offers excellent visibility and protects the operator from wind, rain, and snow. A removable door and snap-off panels create openness for warmer temperatures.

Standard features on the LW150 cab include:

- a removable door and panels
- a windshield wiper
- a strobe light
- two front mounted work lights

NOTE: the LW150 cab requires the tractor to be equipped with a roll cage (part # 39.36106).

### Ventrac LW150 Specifications

Overall Length . . . . .	52 inches
Overall Width . . . . .	35 inches
Height on Tractor . . . . .	69 inches
Height on Tractor w/strobe . . . . .	74 inches
Weight . . . . .	130 pounds

Venture Products, Inc. reserves the right to change these specifications without notice.

# SAFETY

---



## ATTENTION:

This symbol identifies potential health and safety hazards. It marks safety precautions. Your safety and the safety of others is involved.

## SIGNAL WORD DEFINITIONS

### **DANGER**

Indicates an imminently hazardous situation which, if not avoided, will result in death or serious injury. This signal word is limited to the most extreme cases.

### **WARNING**

Indicates a potentially hazardous situation which, if not avoided, could result in death or serious injury.

### **CAUTION**

Indicates a potentially hazardous situation which, if not avoided, may result in minor or moderate injury and/or property damage. It may also be used to alert against unsafe practices.

# SAFETY

---



## General Safety Procedures for Ventrac Tractors, Attachments, & Accessories



Read and understand the operator's manual before operating this equipment.

Observe and follow all safety decals.

DO NOT let children or any untrained person operate the tractor or attachment. Make sure that all operators of this equipment are thoroughly trained in using it safely.

Never allow additional riders on the tractor or attachments.

DO NOT operate tractor or attachments if you are under the influence of alcohol, drugs, or medication that may impair judgment or cause drowsiness, or if you are not feeling well.

Operate all controls from the operator's seat only.

Before operating equipment, make sure all shields are in place and fastened.

Ensure the attachment or accessory is locked or fastened securely to the tractor before operating. See tractor manual for locking procedure.

Ensure that all bystanders are clear of the tractor and attachment before operating. Be especially careful and observant if other people are present. Never assume that bystanders will remain where you last saw them.

Always look in the direction the tractor is moving.

Never direct the discharge of any attachment in the direction of people, animals, buildings, vehicles, or objects of value.

Stop operation immediately at any sign of equipment failure and correct the problem before continuing to operate. An unusual noise can be a warning of equipment failure or a sign that maintenance is required.

Before adjusting, cleaning, lubricating, or changing parts on the tractor or attachment, engage the parking brake, lower the attachment to the ground, stop the engine, and remove the ignition key.

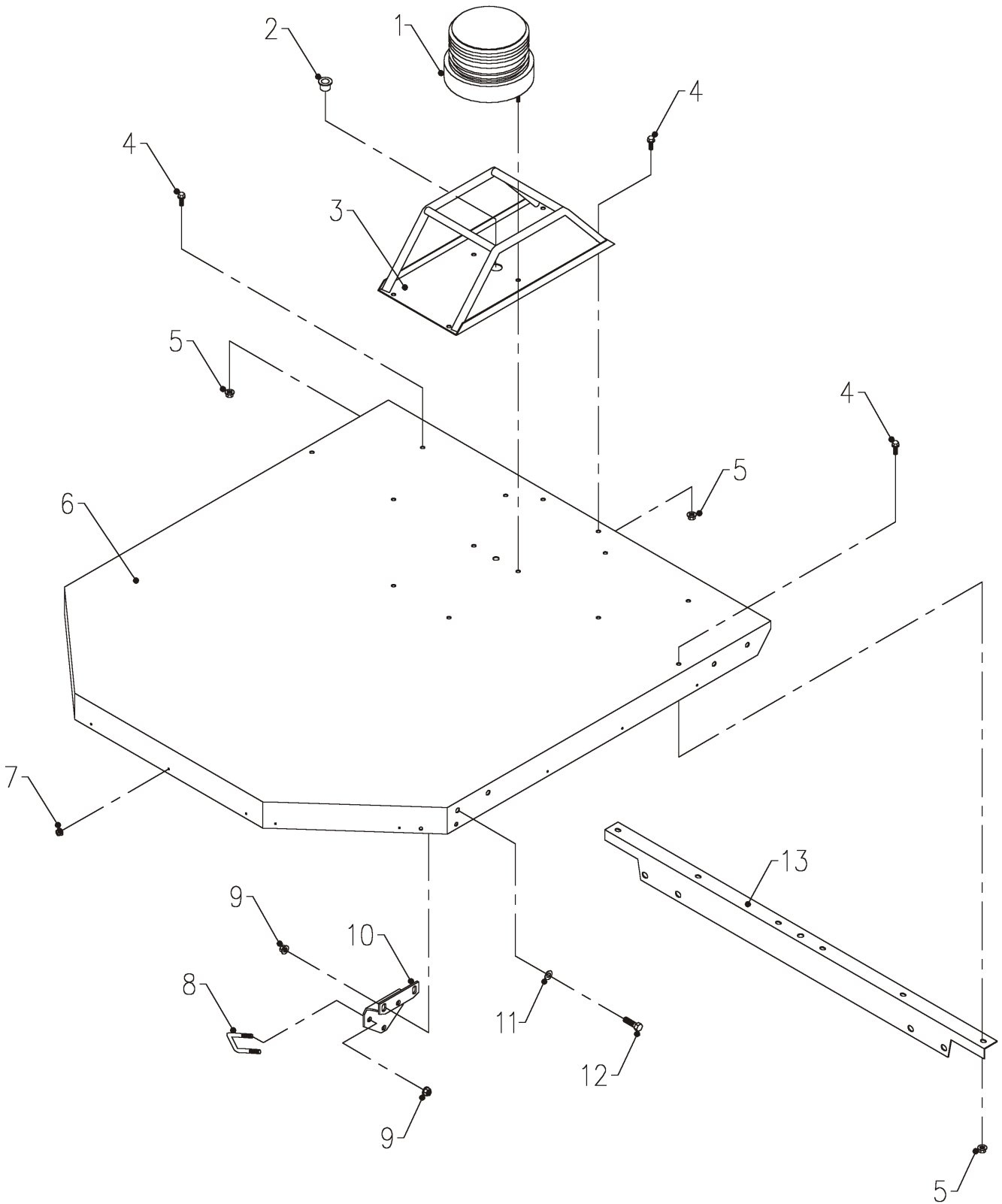
To prevent the risk of uncontrolled equipment movement on tractors equipped with 2 speed axles, always shift the transaxle range with the tractor stationary on level ground and with the parking brake engaged.

If equipment is to be left unattended, engage the parking brake, lower the attachment to the ground, stop the engine, and remove the ignition key.



# PARTS

## ILLUSTRATED DRAWING ROOF PANEL & STROBE MOUNT





# PARTS

## ILLUSTRATED DRAWING ROOF PANEL & STROBE MOUNT

REF.	PART NO.	DESCRIPTION	QTY.
1	33.0036	LIGHT, STROBE 2 JOULE AMBER	1
2	05.0072	SNAP BUSHING, 3/8 ID X 1/2 OD	1
3	62.0856	MOUNT, STROBE LW	1
4	99.SF0404	BOLT, SF 1/4 X 1/2	12
5	99.SF04	NUT, SF 1/4-20 USS	12
6	60.0749	ROOF, LW	1
7	04.0020	SNAP, STUD 3/8 X 9/16 SS	10
8	11.0041	U-BOLT, SQ 5/16X1 17/32X2 1/4	2
9	99.SF05	NUT, SF 5/16-18 USS	8
10	64.0855	SUPPORTS, REAR ROOF LW	2
11	95.05	WASHER, FLAT 5/16 SAE	4
12	90.0506	BOLT, 5/16-18 USS X 3/4	4
13	60.0752	ANCHOR, MAIN TO ROLL CAGE LW	1



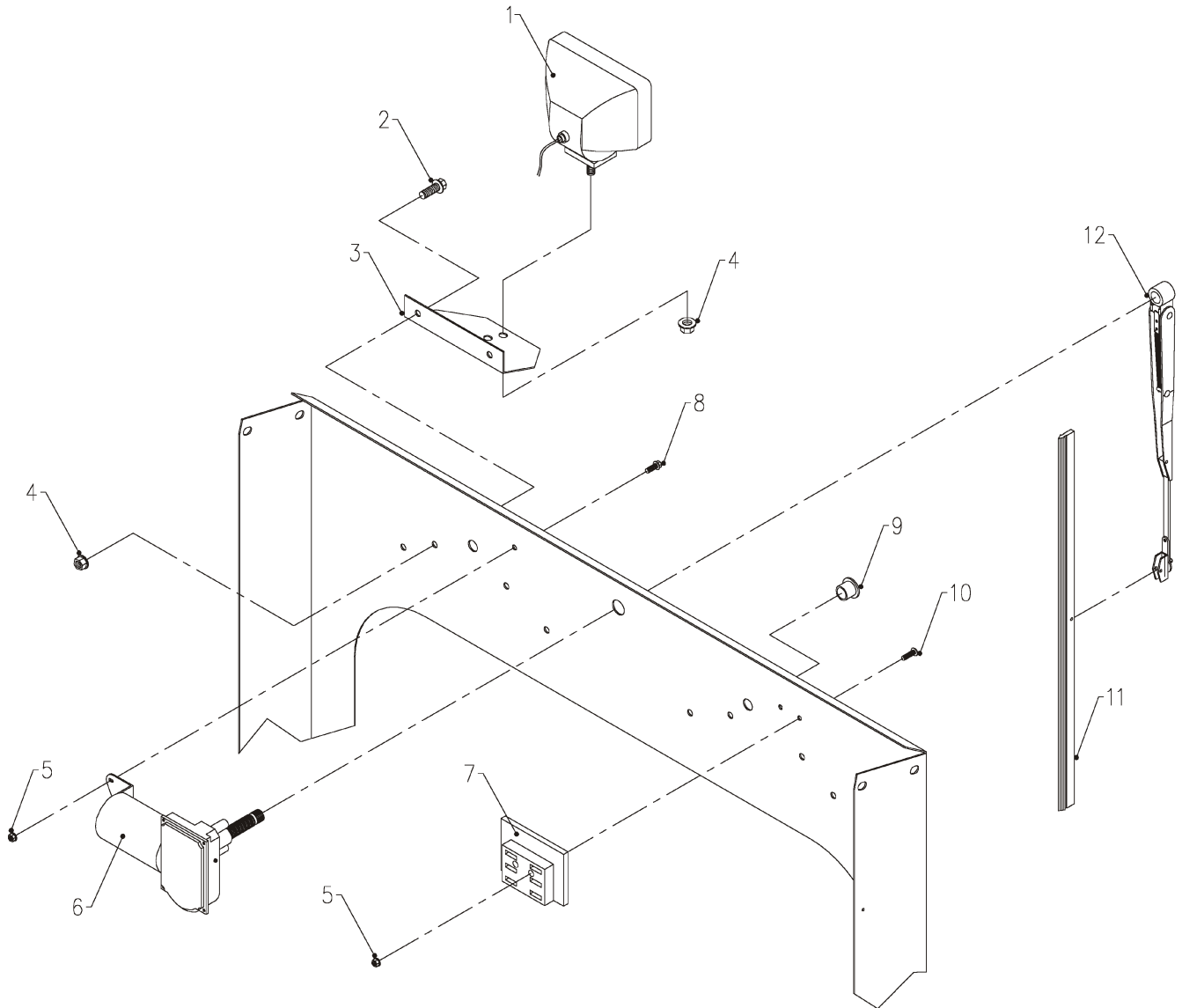
# PARTS

## ILLUSTRATED DRAWING WINDSHIELD

REF.	PART NO.	DESCRIPTION	QTY.
1	31.0034	SWITCH, TOGGLE ON/OFF SPST	3
2	60.0753	PLATE, ELECTRICAL TUNNEL LW	1
3	99.E0046	NUT, "U" 1/4-20 EXTRUDED	3
4	60.0754	COVER, ELECTRICAL ACCESS LW	1
5	47.0167	KNOB, 1/4-20 X 1-1/4 DIA BLK	3
6	60.0750	FRAME, WINDSHIELD LW	1
7	90.0506	BOLT, 5/16-18 USS X 3/4	2
8	95.05	WASHER, FLAT 5/16 SAE	2
9	99.SF05	NUT, SF 5/16-18 USS	2
10	99.SF04	NUT, SF 1/4-20 USS	6
11	99.SF0404	BOLT, SF 1/4 X 1/2	6
12	04.0020	SNAP, STUD 3/8 X 9/16 SS	6
13	30.0139	CLAMP, WIRE MT 1/4 NYLON BLK	2
14	06.0048-120IN	RUBBER, PINCH WELD X 120"	1
15	44.0184	WINDSHIELD, LW CAB GLASS ONLY	1

# PARTS

## ILLUSTRATED DRAWING HEADLIGHTS & WINDSHIELD WIPER



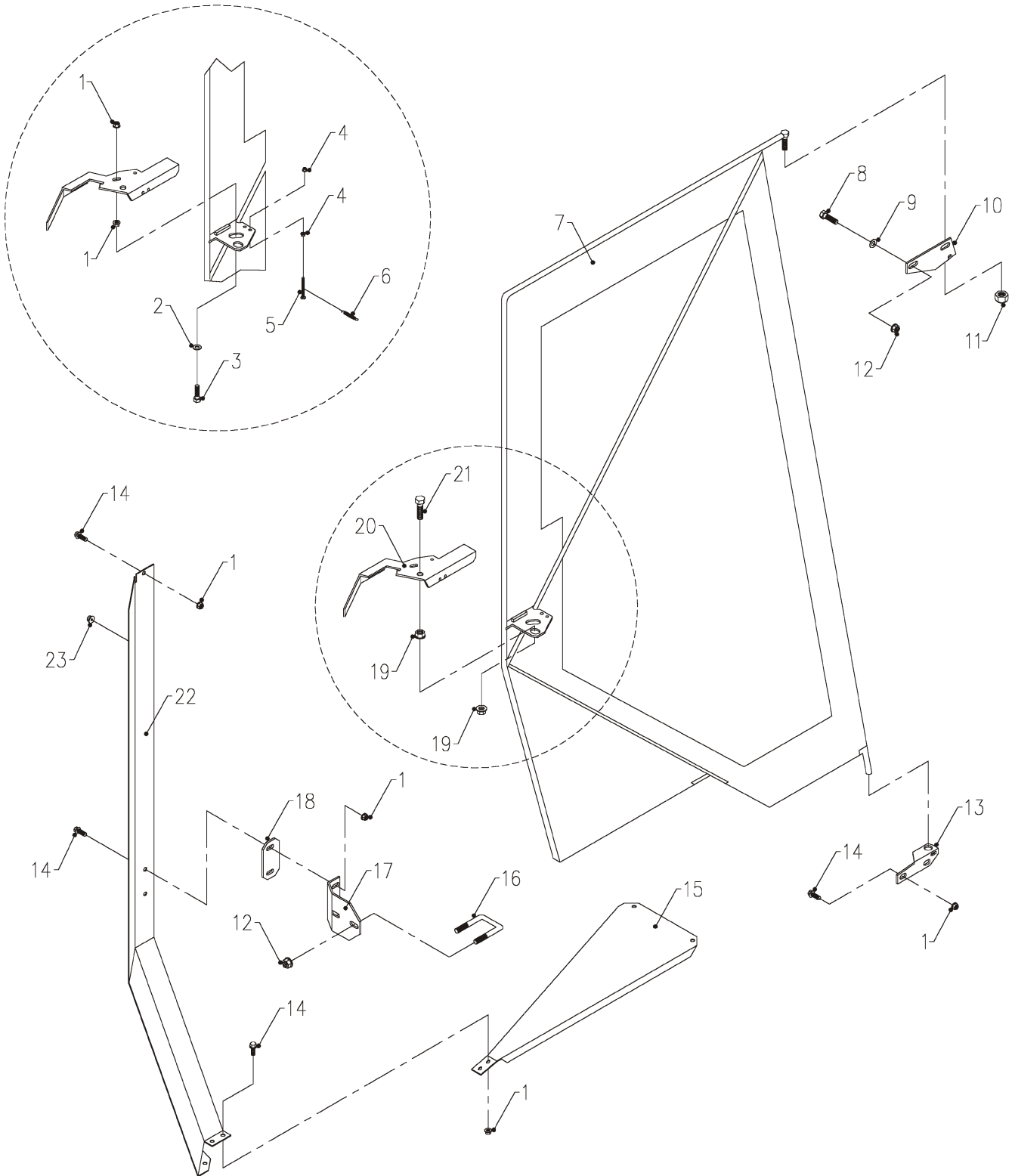
# PARTS

## ILLUSTRATED DRAWING HEADLIGHTS & WINDSHIELD WIPER

REF.	PART NO.	DESCRIPTION	QTY.
1	33.0043	LIGHT, HEAD 12V 55W HALOGEN	2
2	99.SF0506	BOLT, SF 5/16-18 USS X 3/4	4
3	64.0850	PLATE, HEADLIGHT MOUNT	2
4	99.SF05	NUT, SF 5/16-18 USS	4
5	99.E0035	NUT, SF #10-32	3
6	37.0052	MOTOR, WINDSHIELD WIPER 1SPD	1
7	30.0167	FUSE PANEL, 6 CIRCUIT ATC BLADE	1
8	99.K0062	MACHINE SCREW, #10-32 X 1/2	1
9	05.0072	SNAP BUSHING, 3/8 ID X 1/2 OD	2
10	99.K0059	MACHINE SCREW, #10-32 X 1	2
11	47.0173	WIPER BLADE, WINDSHIELD 18"	1
12	47.0174	WIPER ARM, WINDSHIELD 15-19"	1

# PARTS

## ILLUSTRATED DRAWING LEFT SIDE & DOOR



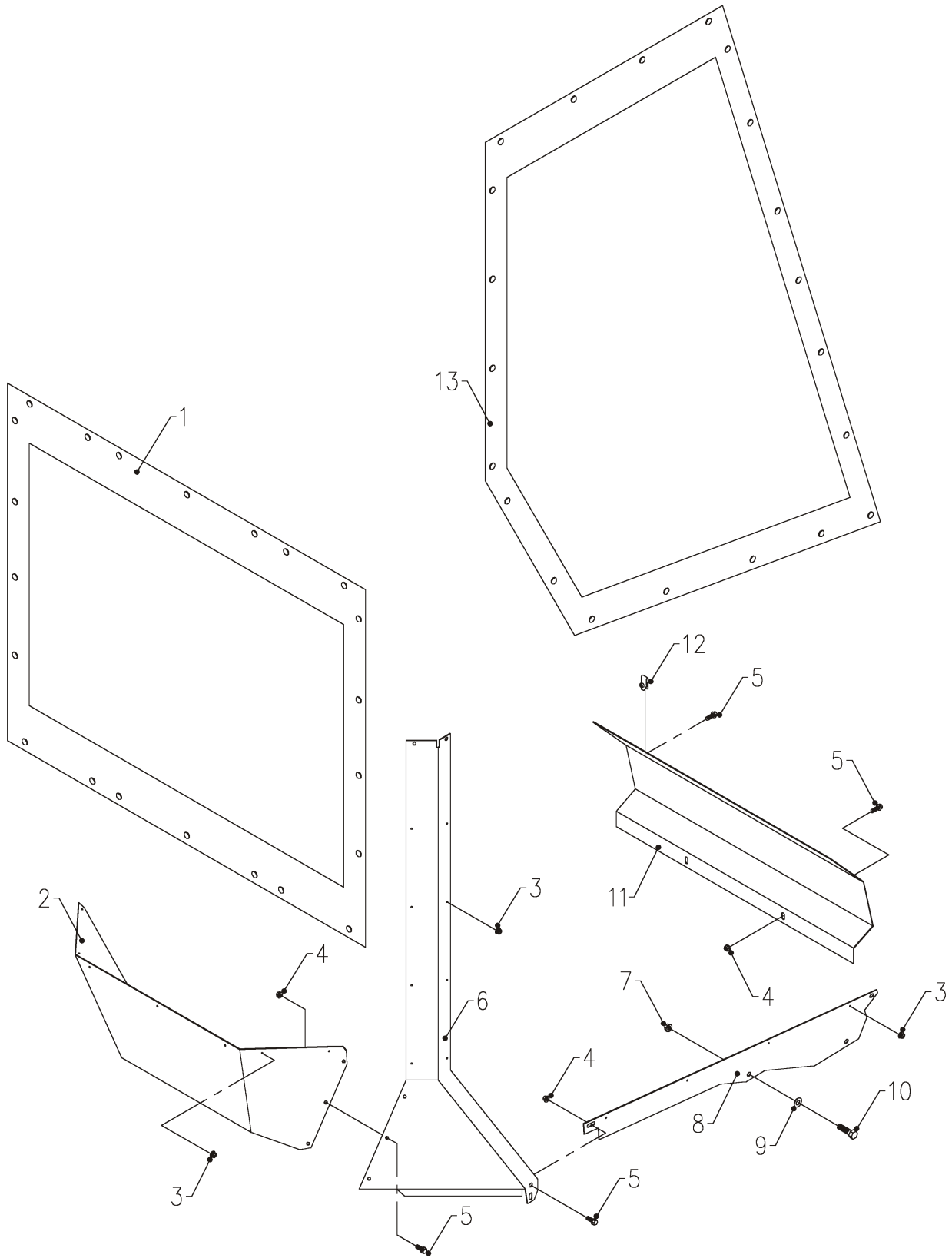
# PARTS

## ILLUSTRATED DRAWING LEFT SIDE & DOOR

REF.	PART NO.	DESCRIPTION	QTY.
1	99.SF04	NUT, SF 1/4-20 USS	13
2	95.04	WASHER, FLAT 1/4 SAE	1
3	90.0408	BOLT, 1/4-20 USS X 1	1
4	99.E0035	NUT, SF #10-32	2
5	99.K0059	MACHINE SCREW, #10-32 X 1	1
6	41.0059	SPRING, EXT. 5/16 OD X 1-1/2	1
7	62.0855	DOOR, ASM. COMPLETE LW	1
	44.0187	CANVAS, DOOR LW	1
	62.0855-1	DOOR, FRAME LW	1
8	90.0506	BOLT, 5/16-18 USS X 3/4	2
9	95.05	WASHER, FLAT 5/16 SAE	2
10	64.0857	HINGE, UPPER DOOR LW	1
11	99.A06	LOCKNUT, STOVER 3/8-16 USS	1
12	99.SF05	NUT, SF 5/16-18 USS	2
13	64.0856	HINGE, LOWER DOOR LW	1
14	99.SF0404	BOLT, SF 1/4-20 X 1/2	11
15	60.0756	WEDGE, LEFT FENDER LW	1
16	11.0041	U-BOLT, SQ 5/16 X 1 17/32 X 2 1/4	1
17	64.0858	BRACKET, LATCH LW	1
18	64.0859	PLATE, LATCH LW	1
19	99.SF06	NUT, SF 3/8-16 USS	2
20	64.0854	HANDLE LW	1
21	90.0610	BOLT, 3/8-16 USS X 1 1/4	1
22	62.0857	POST, LEFT LW	1
23	04.0020	SNAP, STUD 3/8 X 9/16 SS	4

# PARTS

## ILLUSTRATED DRAWING SHEET METAL & CANVAS





# PARTS

## ILLUSTRATED DRAWING SHEET METAL & CANVAS

REF.	PART NO.	DESCRIPTION	QTY.
1	44.0189	CANVAS, REAR LW	1
2	60.0751	PANEL, REAR WRAP-AROUND LW	1
3	04.0020	SNAP, STUD 3/8 X 9/16 SS.	21
4	99.SF04	NUT, SF 1/4-20 USS	9
5	99.SF0404	BOLT, SF 1/4-20 X 1/2	11
6	62.0858	POST, RIGHT LW	1
7	99.SF05	NUT, SF 5/16-18 USS	1
8	60.0757	ANCHOR STRIP, RT CANVAS LW	1
9	95.05	WASHER, FLAT 5/16 SAE	1
10	90.0506	BOLT, 5/16-18 USS X 3/4	1
11	60.0755	COVER, TOE LW	1
12	99.E0046	NUT, "U" 1/4-20 EXTRUDED	2
13	44.0188	CANVAS, RIGHT SIDE LW	1