



**PARTS
MANUAL**

WEATHER CAB

Model HW150





328 E Water St
P.O. Box 148

Phone: 330-683-0075
Fax: 330-683-0000
www.ventrac.com

TO THE OWNER

*Congratulations on the purchase of a new VENTRAC HW150 "**Weather Cab!** The purpose of this manual is to assist you in its safe and effective operation and maintenance.*

*With proper usage and care, the **Weather Cab** will provide many years of service. Please read and understand this manual entirely before first using the **Weather Cab**. Keep this manual on file for future reference.*

Please fill in the following information for future reference:

Date of Purchase: Month _____ Day _____ Year _____

Serial Number: _____

Dealer: _____

Dealer Address: _____

Dealer Phone Number: _____

Dealer FAX Number: _____

Venture Products Inc. reserves the right to make changes in design or specifications without incurring obligation to make like changes on previously manufactured products.

TABLE OF CONTENTS

DECALS **Section A**

Replacement Decal A 1

ELECTRICAL **Section B**

Wiring Diagram B 1 - 2

PARTS **Section C**

Cab Roof, Strobe Light C 1 - 2

Rear Light Panel C 1 - 2

Electrical Panel, Wiper Motor C 3 - 4

Front Light Panel C 3 - 4

Front Windshield C 5 - 6

Rear Cab Panel C 7 - 8

Front Posts, Canvas C 9 - 10

Right Window Panel C 11 - 12

Door Panel. C 13 - 14

OPTIONS **Section D**

Work Lights & Marker Lights D 1 - 2

Defroster Fan & Reverse Flow Fan D 1 - 2

Control Box Mount D 1 - 2

WARRANTY

PARTS

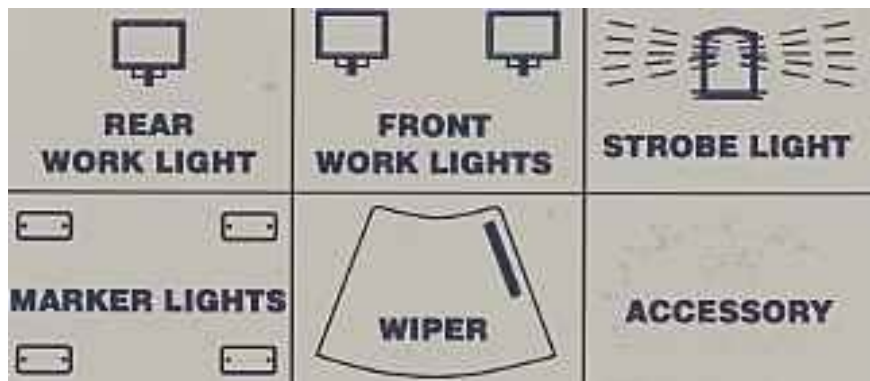
DECALS



00.0189



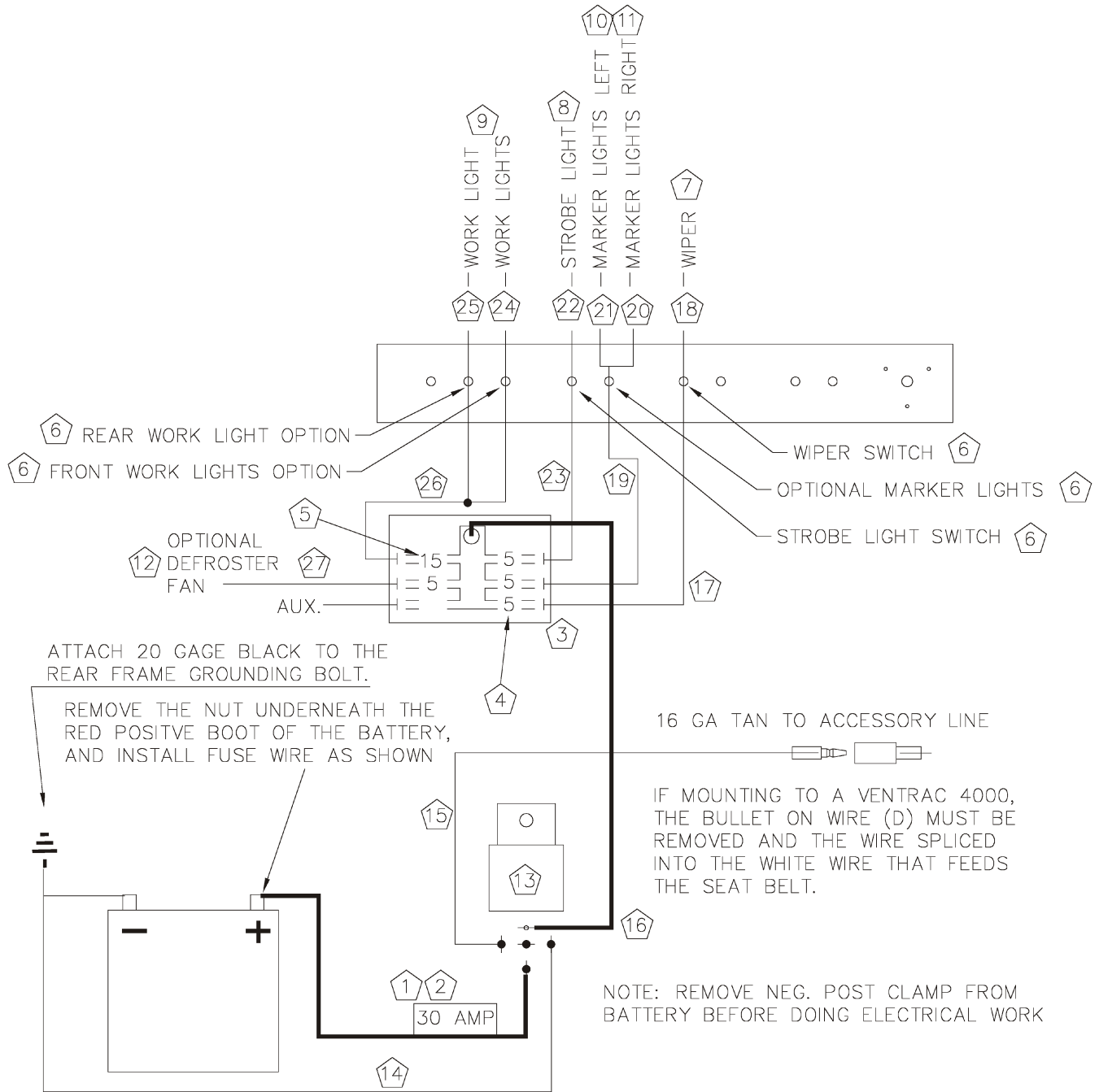
00.0128



00.0185

PARTS

ILLUSTRATED DRAWING WIRING DIAGRAM



PARTS

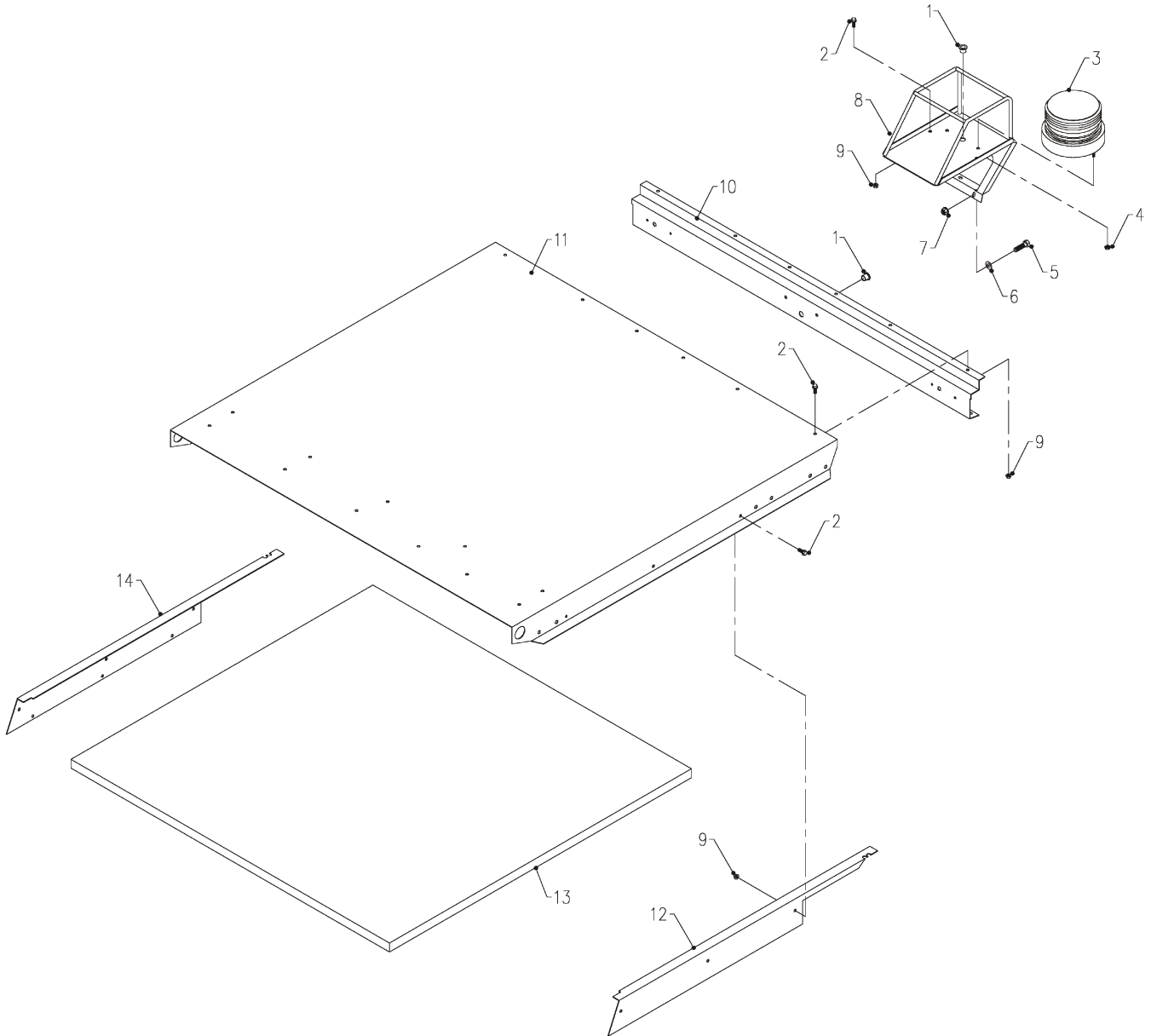
WIRING DIAGRAM

REF.	PART NO.	DESCRIPTION	QTY.
BASIC CAB UNIT WIRING			
1	30.0186.	In line Fuse Holder.	1
2	30.0197.	30 Amp Fuse	1
3	30.0167.	Fuse Panel.	1
4	30.0187.	5 Amp Fuse	2
6	31.0034.	Toggle Switch	2
7	37.0046.	Wiper Motor	1
8	33.0036.	Strobe Light	1
13	35.0097.	Relay.	1
14	34.1801-1004	18 Ga. Wire x 10" - Black	1
15	34.1611-1002.	16 Ga. Wire x 8" - Tan	1
16	34.1003-1002	10 Ga. Wire x 10 1/2" - Red	1
17	34.1608-1001	16 Ga. Wire x 2 1/2" - Violet	1
18	34.1608-1002	16 Ga. Wire x 10" - Violet	1
22	34.1609-1003	16 Ga. Wire x 80" - Grey.	1
23	34.1609-1002	16 Ga. Wire x 12" - Grey.	1
OPTIONAL WORK LIGHTS - KIT# 70.0090			
5	30.0166.	15 Amp Fuse	1
6	31.0034.	Toggle Switch	2
9	33.0021.	Work Lights	3
24	34.1604-1001	16 Ga. Wire x 85" - Orange	1
25	34.1612-2002	16 Ga. Wire x 24" - Pink	1
26	34.1610-2001	16 Ga. Wire x 10" - White	1
OPTIONAL DEFROSTER FAN - KIT# 70.0086			
4	30.0187.	5 Amp Fuse	1
12	37.0051.	Defroster Fan	1
27	34.1607-1001	16 Ga. Wire x 30" - Blue	1
OPTIONAL MARKER LIGHTS - KIT# 70.0091			
4	30.0187.	5 Amp Fuse	1
6	31.0034.	Toggle Switch	1
10	33.0035.	Amber Marker Lights.	2
11	33.0022.	Red Marker Lights	2
19	34.1811-1005.	18 Ga. Wire x 16" - Tan	1
20	34.1806-2001	18 Ga. Wire x 40" - Green	1
21	34.1805-2001	18 Ga. Wire x 40" - Yellow	1

REVISED 12-11-02

PARTS

ILLUSTRATED DRAWING CAB ROOF, REAR LIGHT PANEL, & STROBE LIGHT



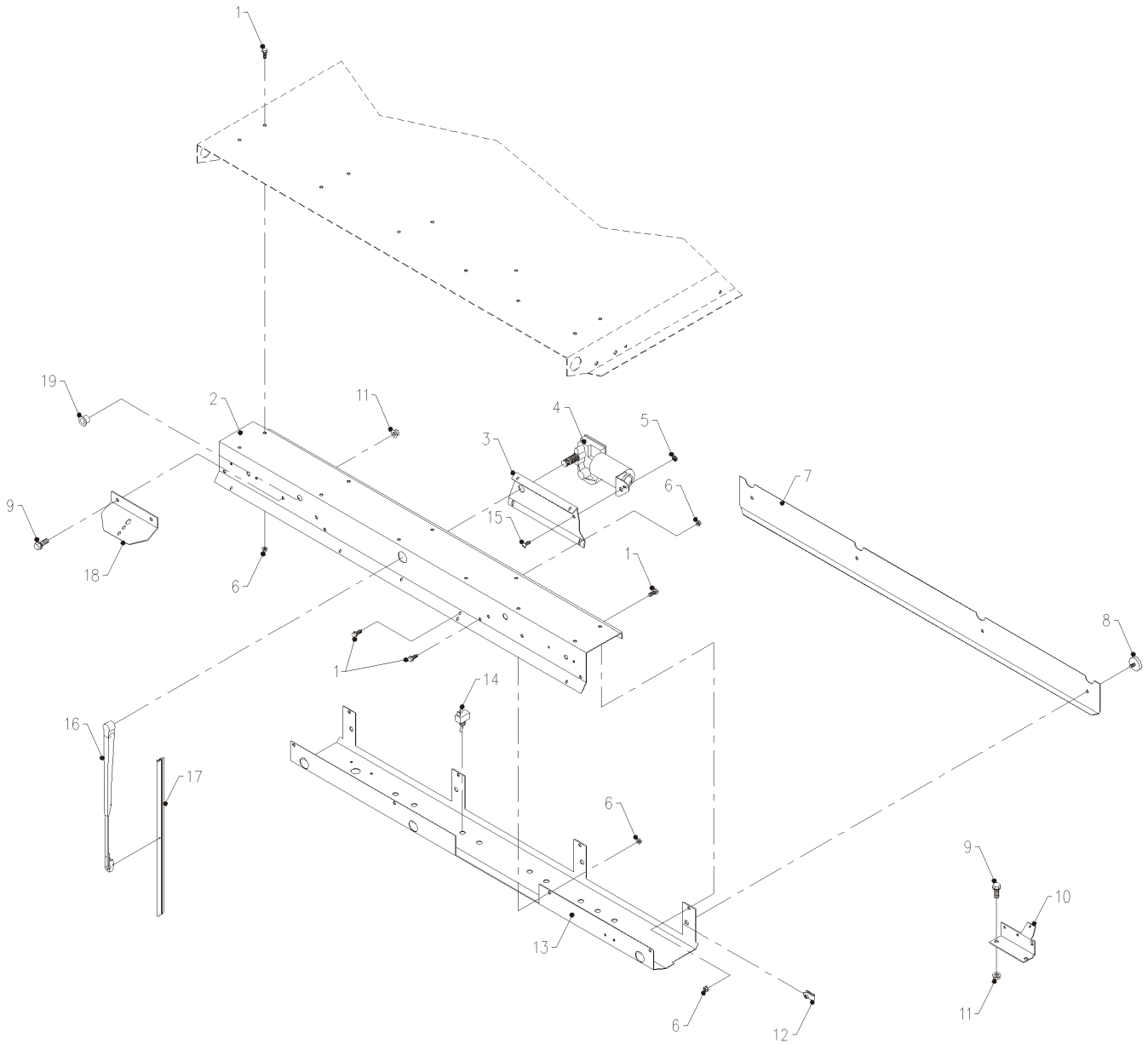
PARTS

CAB ROOF, REAR LIGHT PANEL, & STROBE LIGHT

REF.	PART NO.	DESCRIPTION	QTY.
1	05.0072.	Snap Bushing	1
2	99.SF0404-1	1/4-20 x 1/2 Flange Bolt w/Rubber	14
3	33.0036.	Strobe Light	1
	33.0041.	Replacement Bulb	1
	33.0042.	Replacement Lens.	1
4	99.E0033.	10-24 Nut	2
<hr/>			
5	90.0506.	5/16-18 x 3/4 Bolt	2
6	95.05	5/16 SAE Flat Washer	2
7	99.SF05	5/16-18 Flange Nut	2
8	62.0853.	Strobe Light Mount.	1
9	99.SF04	1/4-20 Flange Nut	14
10	60.0745.	Rear Light Panel	1
<hr/>			
11	60.0736.	Cab Roof.	1
12	64.0837.	Left Insulation Retainer	1
13	56.0057-34IN.	Roof Insulation.	1
14	64.0838.	Right Insulation Retainer.	1

PARTS

ILLUSTRATED DRAWING ELECTRICAL PANEL, FRONT LIGHT PANEL, & WIPER MOTOR



REVISED 07-17-02

PARTS

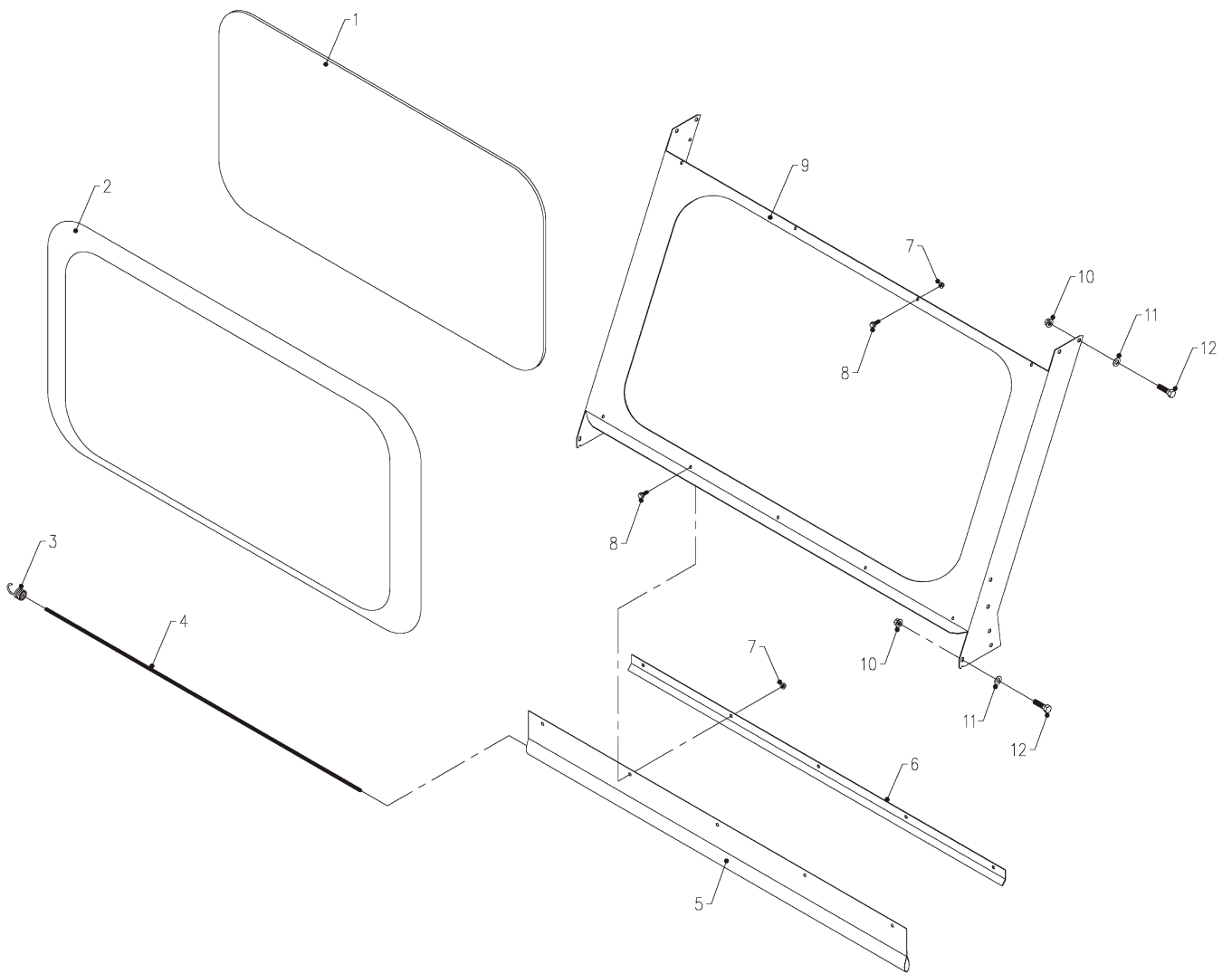
ELECTRICAL PANEL, FRONT LIGHT PANEL, & WIPER MOTOR

REF.	PART NO.	DESCRIPTION	QTY.
1	99.SF0404-1	1/4-20 x 1/2 Flange Bolt w/Rubber	20
2	60.0744.	Front Light Panel.	1
3	64.0848.	Wiper Mount Plate	1
4	37.0046.	Windshield Wiper Motor	1
5	99.E0049.	10-32 Star Nut	1
6	99.SF04	1/4-20 Flange Nut	20
7	60.0746.	Electrical Cover Plate	1
8	47.0167.	1/4-20 x 1-1/4 DIA Knob	4
9	99.SF0506	5/16-18 x 3/4 Flange Bolt	2
10	64.0849.	Power Supply Board	1
11	99.SF05	5/16-18 Flange Bolt	2
12	99.E0046.	1/4-20 U-Nut	4
13	60.0748.	Electrical Housing Panel.	1
14	31.0034.	Toggle Switch	2
15	99.K0062.	10-32 x 1/2 Machine Screw	1
16	47.0171.	Wiper Arm	1
17	47.0170.	16" Wiper Blade	1
18	64.0850.	Headlight Mount Plate	2
19	05.0072.	Snap Bushing	2

REVISED 07-17-02

PARTS

ILLUSTRATED DRAWING FRONT WINDSHIELD



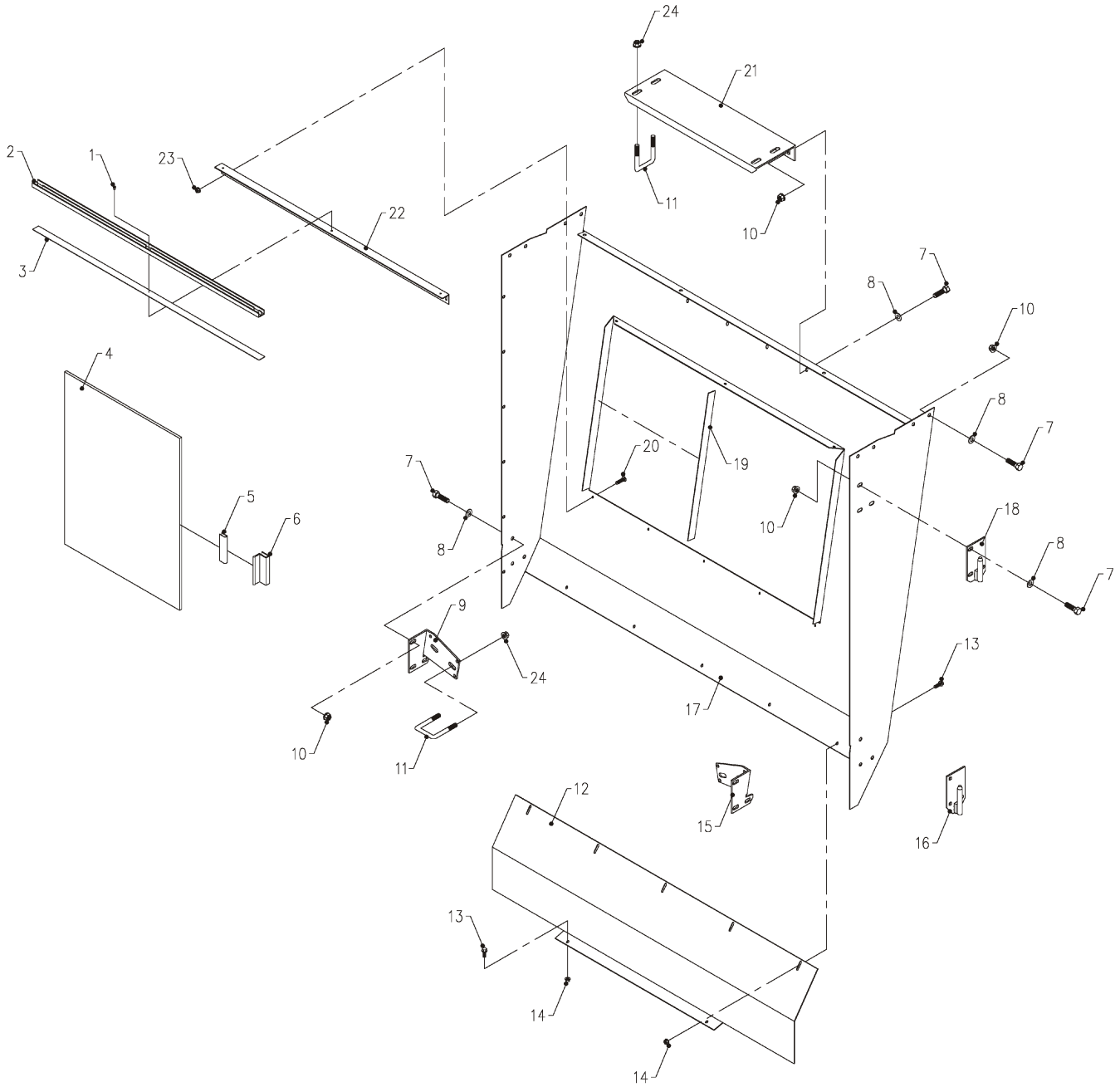
PARTS

FRONT WINDSHIELD

REF.	PART NO.	DESCRIPTION	QTY.
1	44.0171.	Windshield Panel	1
2	06.0048-108IN	Rubber Pinch Weld x 108".	1
3	47.0169.	Bungee End	2
4	47.0165-36IN.	Bungee Cord x 36".	1
5	44.0168.	Windshield Canvas	1
6	44.0170.	Canvas Clamp Bar.	1
<hr/>			
7	99.SF04	1/4-20 Flange Nut	9
8	99.SF0404-1	1/4-20 x 1/2 Flange Nut w/Rubber.	9
9	60.0738.	Windshield Frame	1
10	99.SF05	5/16-18 Flange Nut	8
11	95.05	5/16 SAE Flat Washer	8
12	90.0506.	5/16-18 x 3/4 Bolt	8

PARTS

ILLUSTRATED DRAWING REAR CAB PANEL



PARTS

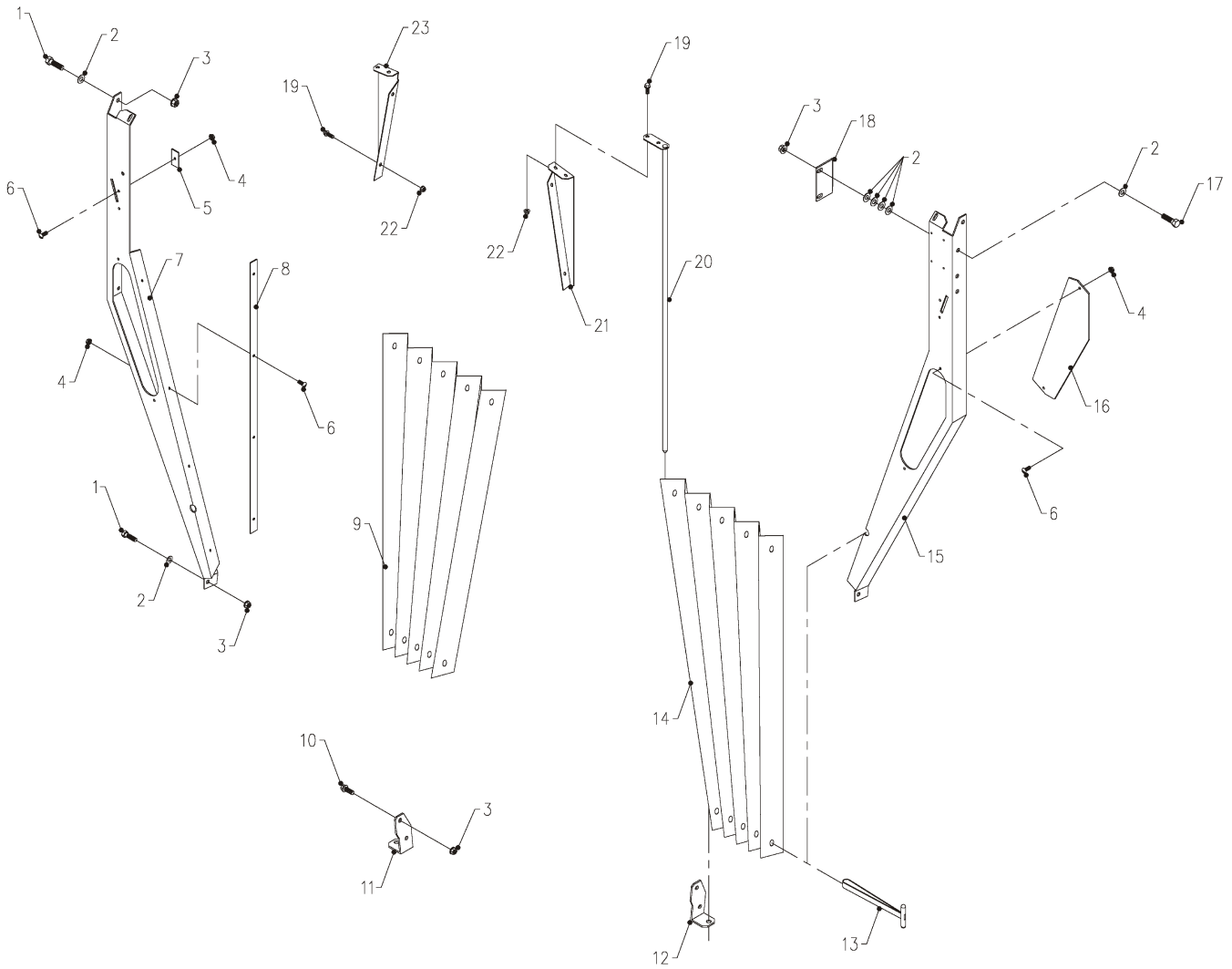
REAR CAB PANEL

REF.	PART NO.	DESCRIPTION	QTY.
1	04.0003	1/8 x 3/8 Pop Rivet	6
2	44.0176	Window Track	2
3	08.5126-28.5IN	2 Sided Tape x 28-1/2"	2
4	44.0174	Rear Window Panel	2
5	06.0054	Gripper Pad	1
6	47.0220	Window Handle	1
7	90.0506	5/16-18 x 3/4 Bolt	20
8	95.05	5/16 SAE Flat Washer	20
9	64.0846	Right Roll Bar Anchor	1
10	99.SF05	5/16-18 Flange Nut	20
11	11.0053	3/8-16 x 2" ID U-Bolt	4
12	60.0739	Lower Rear Enclosure Panel	1
13	99.SF04	1/4-20 x 1/2 Flange Bolt w/Rubber	7
14	99.SF0404-1	1/4-20 Flange Nut	7
15	64.0847	Left Roll Bar Anchor	1
16	62.0851	Lower Hinge Plate	1
17	60.0737	Rear Panel	1
18	62.0852	Upper Hinge Plate	1
19	06.0047-18.75IN	3/16 x 3/4 Weatherstrip x 18-3/4"	2
20	99.K0062	10-32 x 1/2 Machine Screw	5
21	64.0845	Upper Roll Bar Anchor	1
22	64.0839	Bottom Window Slide	1
23	99.E0035	10-32 Flange Nut	5
24	99.SF06	3/8-16 Flange Nut	8

REVISED 12-03-02

PARTS

ILLUSTRATED DRAWING FRONT POSTS & CANVAS



PARTS

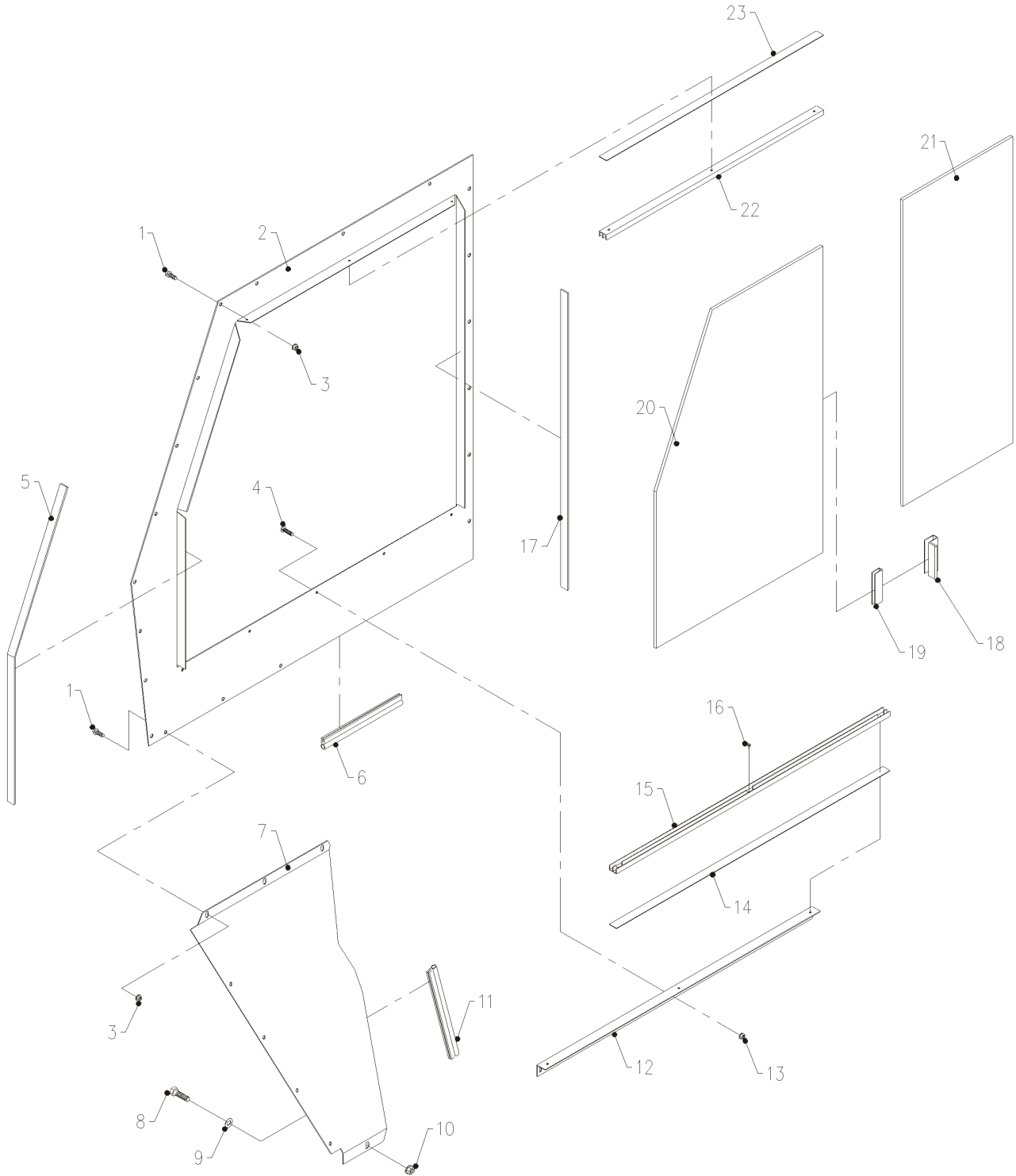
FRONT POSTS & CANVAS

REF.	PART NO.	DESCRIPTION	QTY.
1	90.0506	5/16-18 x 3/4 Bolt	10
2	95.05	5/16 SAE Flat Washer	20
3	99.SF05	5/16-18 Flange Nut	12
4	99.E0035	10-32 Flange Nut	14
5	64.0852	Canvas Clamp	2
6	99.K0062	10-32 x 1/2 Machine Screw	14
7	60.0743	Right Front Corner Post	1
8	44.0169	Canvas Clamp Bar	2
9	44.0179	Pleated Canvas (Right)	1
10	99.SF0506	5/16-18 x 3/4 Flange Bolt	4
11	64.0977*	Right Canvas Rod Anchor*	1
12	64.0976*	Left Canvas Rod Anchor*	1
13	47.0168	1/2 x 7 Rubber Band	4
14	44.0178	Pleated Canvas (Left)	1
15	60.0742	Left Front Corner Post	1
16	44.0165	Corner Post Window	2
17	90.0510	5/16-18 x 1-1/4 Bolt	2
18	64.0844	Latch Plate	1
19	99.SF0404-1	1/4-20 x 1/2 Flange Bolt w/Rubber	8
20	64.0842	Canvas Rod	2
21	64.0840	Left Dash Plate	1
22	99.SF04	1/4-20 Flange Nut	8
23	64.0841	Right Dash Plate	1

*64.0976 & 64.0977 are not used on the 4000 series tractor.

PARTS

ILLUSTRATED DRAWING RIGHT WINDOW PANEL



REVISED 12-04-02

PARTS

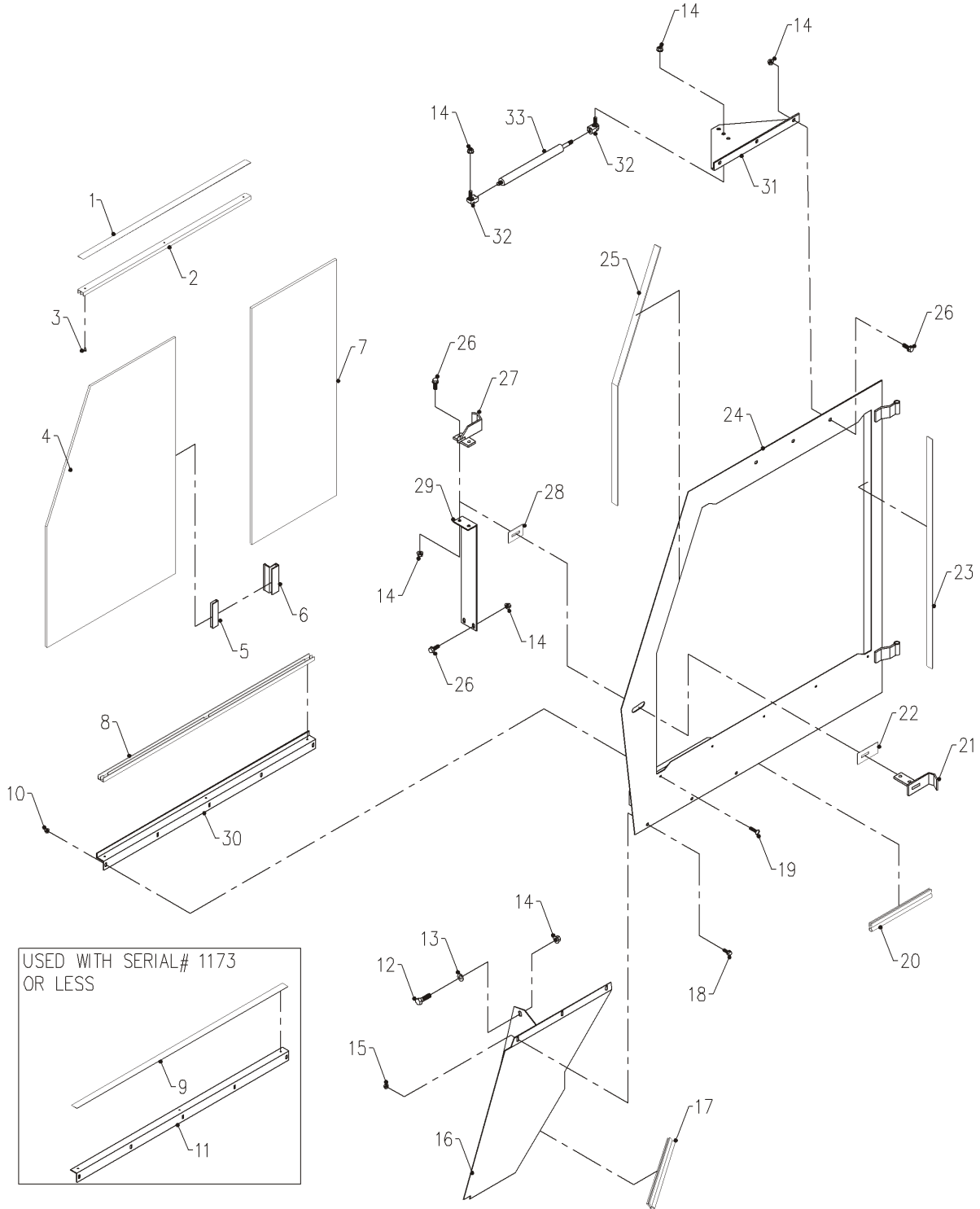
RIGHT WINDOW PANEL

REF.	PART NO.	DESCRIPTION	QTY.
1	99.SF0404-1	1/4-20 x 1/2 Flange Bolt w/Rubber	24
2	60.0740	Right Window Panel	1
3	99.SF04	1/4-20 Flange Nut	24
4	99.K0062	10-32 x 1/2 Machine Screw	5
5	06.0047-28.5IN.	3/16 x 3/4 Weatherstrip x 28-1/2"	1
6	06.0043-19IN.	Trim Seal w/Bulb x 19"	1
7	60.0741	Right Lower Panel	1
8	90.0506	5/16-18 x 3/4 Bolt	1
9	95.05	5/16 SAE Flat Washer	1
10	99.SF05	5/16-18 Flange Nut	1
11	06.0043-25IN.	Trim Seal w/Bulb x 25"	1
12	64.0839	Bottom Window Slide	1
13	99.E0035	10-32 Flange Nut	5
14	08.5126-28.5IN.	2 Sided Tape x 28-1/2"	1
15	44.0176	Bottom Window Track	1
16	04.0003	1/8 x 3/8 Pop Rivet	6
17	06.0047-27.25IN	3/16 x 3/4 Weatherstrip x 27-1/4"	1
18	47.0220	Window Handle	1
19	06.0054	Gripper Pad	1
20	44.0172	Side Window Panel (Front)	1
21	44.0173	Side Window Panel (Rear)	1
22	44.0175	Top Window Track	1
23	08.5126-22.63IN	2 Sided Tape x 22-5/8"	1

REVISED 12-03-02

PARTS

ILLUSTRATED DRAWING DOOR PANEL



REVISED 12-30-03

PARTS

DOOR PANEL

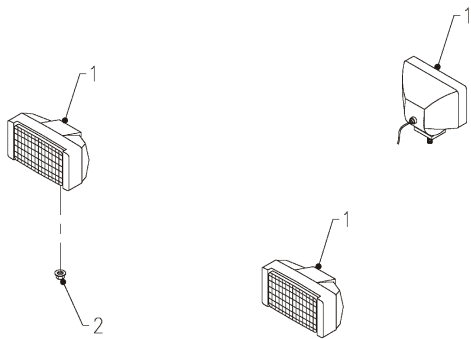
REF.	PART NO.	DESCRIPTION	QTY.
1	08.5126-22.63IN	2 Sided Tape x 22-5/8"	1
2	44.0175	Top Window Track	1
3	04.0003	1/8 x 3/8 Pop Rivet	6
4	44.0172	Side Window Panel (Front)	1
5	06.0054	Gripper Pad	1
6	47.0220	Window Handle	1
7	44.0173	Side Window Panel (Rear)	1
8	44.0176	Bottom Window Track	1
9	08.5126-28.5IN	2 Sided Tape x 28-1/2"	1
10	99.E0035	10-32 Flange Nut	5
11	64.0839	Bottom Window Slide	1
12	90.0506	5/16-18 x 3/4 Bolt	1
13	95.05	5/16 SAE Flat Washer	1
14	99.SF05	5/16-18 Flange Nut	10
15	99.SF04	1/4-20 Flange Nut	3
16	60.0747	Lower Door Panel	1
17	06.0043-25IN	Trim Seal w/Bulb x 25"	1
18	99.SF0404-1	1/4-20 x 1/2 Flange Bolt w/Rubber	3
19	99.K0062	10-32 x 1/2 Machine Screw	5
20	06.0043-19IN	Trim Seal w/Bulb x 19"	1
21	40.0276	Outer Door Handle	1
22	44.0166	Outer Plastic Slide	1
23	06.0047-27.25IN	3/16 x 3/4 Weatherstrip x 27-1/4"	1
24	62.0850	Door Panel	1
25	06.0047-28.5IN	3/16 x 3/4 Weatherstrip x 28-1/2"	1
26	99.SF0506	5/16-18 x 3/4 Flange Bolt	7
27	40.0277	Inner Door Handle	1
28	44.0167	Inner Plastic Slide	1
29	64.0843	Latch Spring Plate	1
30	64.1058	Bottom Window Slide	1
31	64.1084	Gas Spring Mount Bracket	1
32	47.0226	10MM Ball Socket	2
	47.0225	10MM Ball Stud - 5/16-18 Thread	2
33	47.0102	Gas Shock	1

REVISED 12-30-03

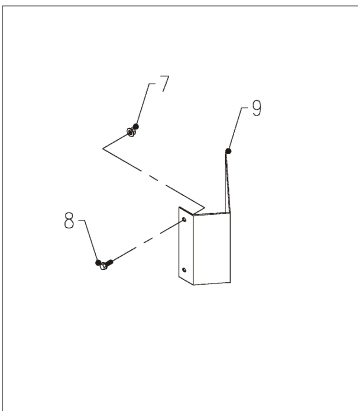
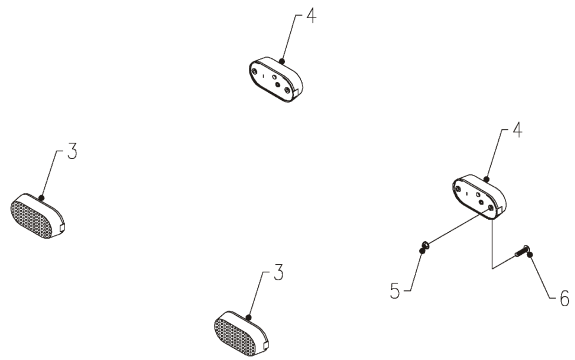
PARTS

ILLUSTRATED DRAWING WORK LIGHTS, MARKER LIGHTS, DEFROSTER FAN

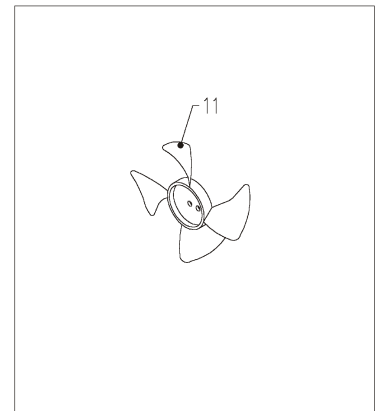
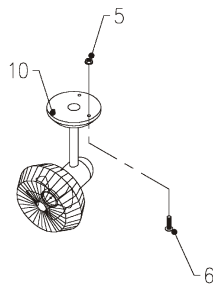
WORK LIGHT KIT – PART# 70.0090



MARKER LIGHT KIT – PART# 70.0091



CAB DEFROSTER FAN KIT
PART# 70.0086



PARTS

WORK LIGHTS, MARKER LIGHTS, DEFROSTER FAN

REF.	PART NO.	DESCRIPTION	QTY.
1	33.0021.	Work Light	3
2	99.SF05	5/16-18 Flange Nut	3
3	33.0035.	Amber Marker Light	2
4	33.0022.	Red Marker Light	2
5	99.E0049.	10-32 Star Nut.	11
6	99.K0062.	10-32 x 1/2 Machine Screw	11
<hr/>			
7	99.SF04	1/4-20 Flange Nut	2
8	99.SF0404-1	1/4-20 x 1/2 Flange Bolt w/Rubber.	2
9	64.0851.	Control Box Mount.	1
10	37.0051.	Defroster Fan	1
11	13.0074.	Reverse Flow Fan (Vanguard/Kubota).	1
.	14.0016*	Reverse Flow Fan (Kawasaki 22/27 HP)*	1

* 14.0016 includes four bolts needed to mount the fan to the
27 HP Kawasaki engine.

REVISED 12-11-02