

ND420

Snow Plow

Serial Number ND420-AB01429 --





500 Venture Drive
Orrville Oh 44667
www.ventrac.com

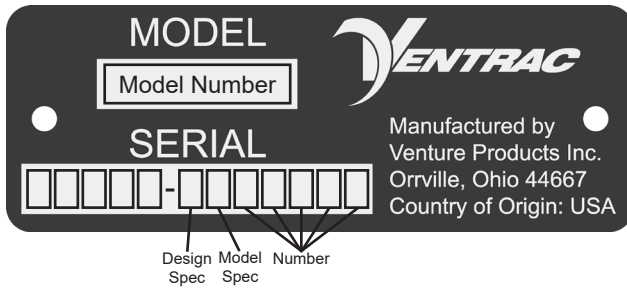
View all manuals



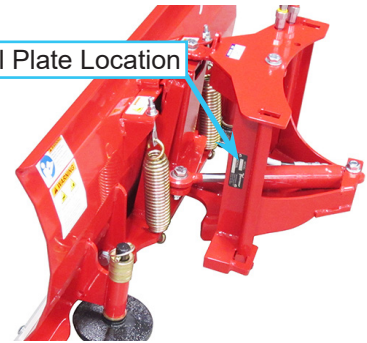
Visit ventrac.com/manuals for the latest version of this operator's manual.

A downloadable parts manual is also available.

Serial Number Description



Serial Plate Location



Notes

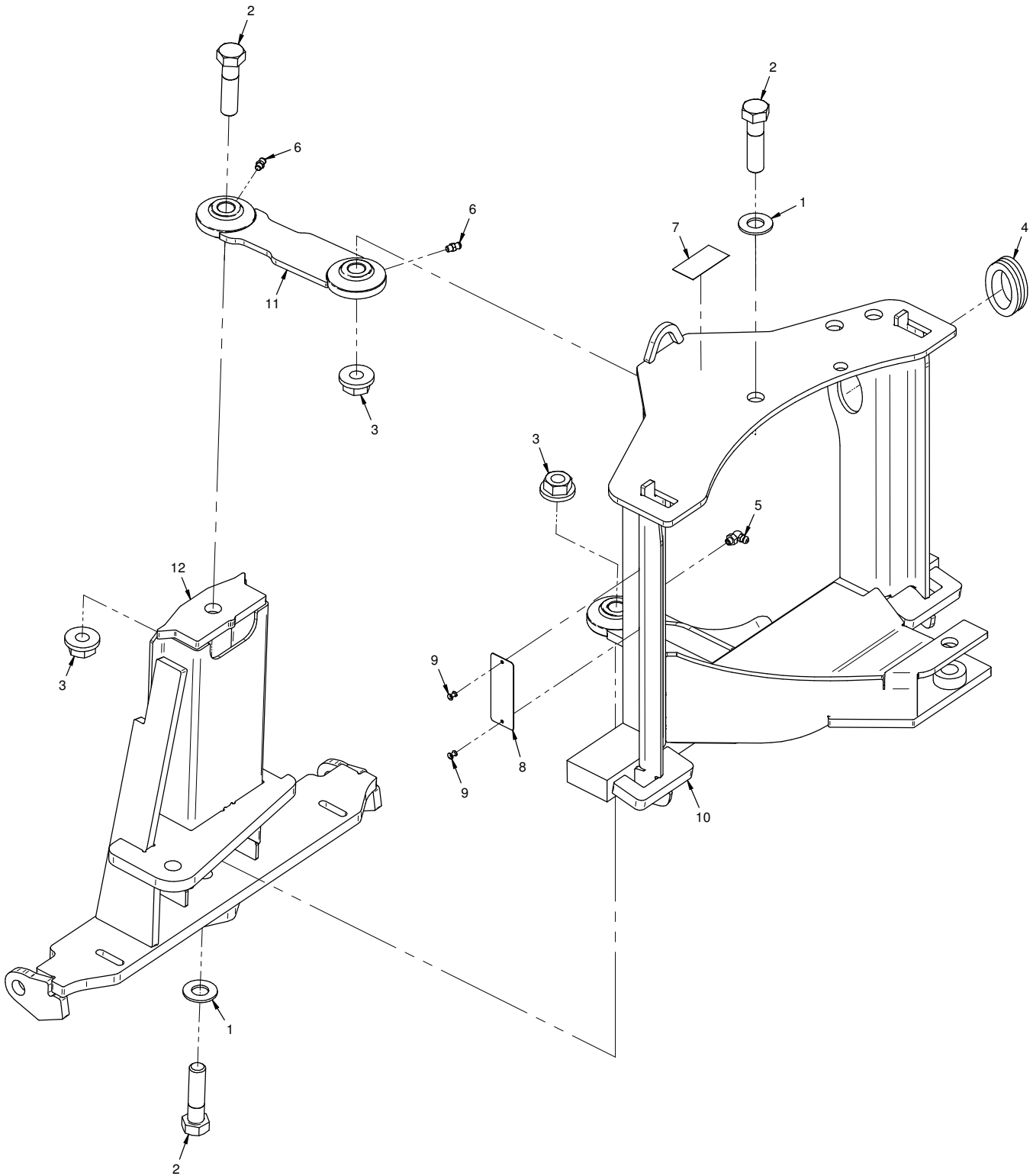
- If any component requires replacement, use only original Ventrac replacement parts.
- When ordering new components, be sure to order all required safety decals. All current safety decals must be affixed to the replacement components prior to installation of the component.

TABLE OF CONTENTS

PARTS	PAGE 4
Hitch Frame & Upper Link.....	4
Blade Pivot Frame, Blade, & Cutting Edge	6
Hydraulic Power Angle	8
70.8181 Polyurethane Edge Kit	10

PARTS

ILLUSTRATED DRAWING Hitch Frame & Upper Link



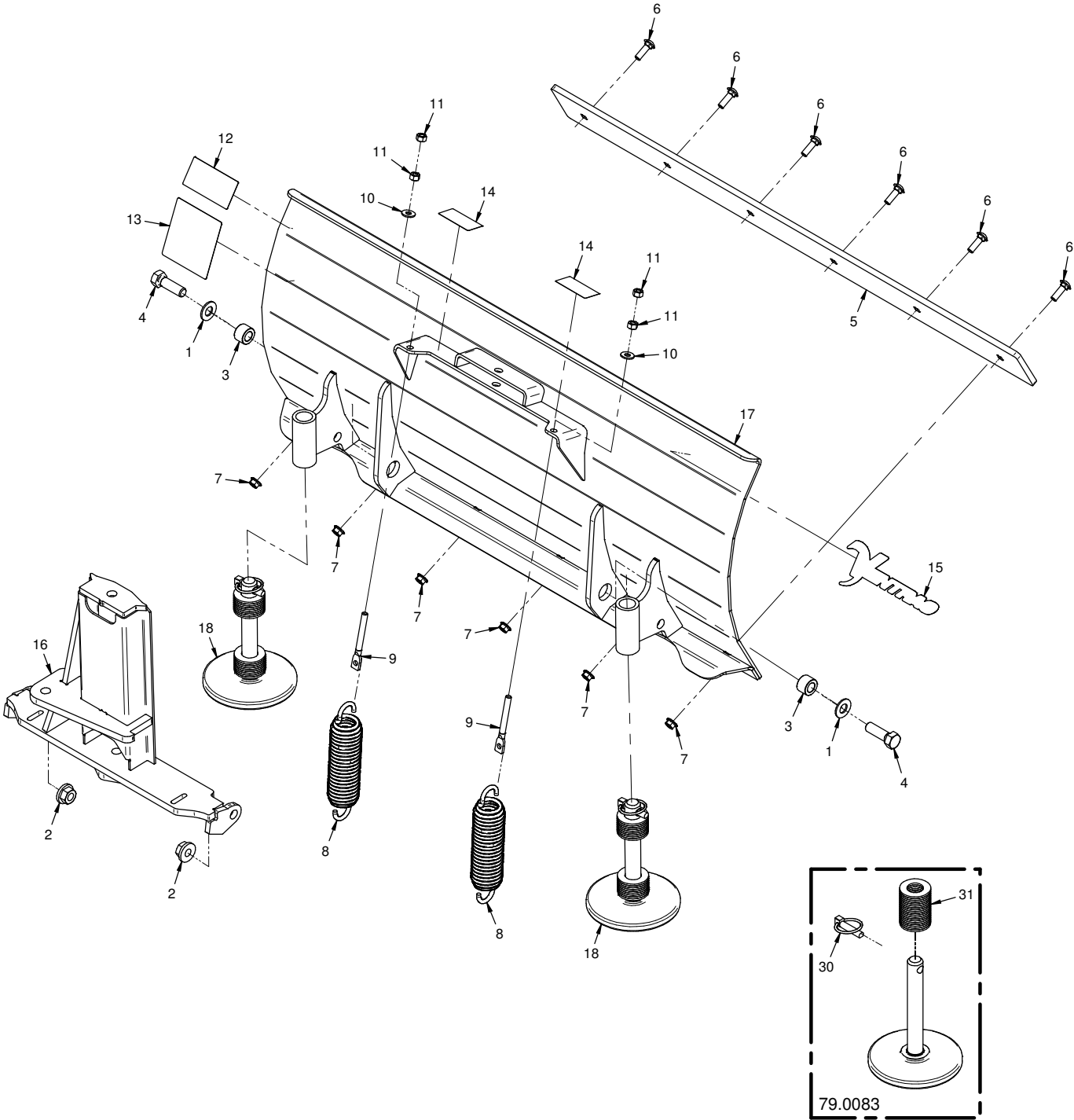
PARTS

Hitch Frame & Upper Link

REF.	PART NO.	DESCRIPTION	QTY.
1	95.10	.Washer, Flat 5/8 SAE	2
2	90.1020	.Bolt, 5/8-11 USS x 2-1/2	3
3	99.E0094	.Locknut, 5/8-11 Flanged Stover	3
4	05.0036	.Grommet, 1-1/2ID, 2-1/8OD, 9/16T	1
5	29.GF0002	.Grease Ftg, 1/4 SAE 90	1
6	29.GF0001	.Grease Ftg, 1/4 SAE ST	2
7	00.0100	.Decal, Made In USA	1
8	N/A	.Plate, Ventrac Serial Number	1
9	04.0029	.Rivet, Pop 1/8" X 1/4" SS	2
10	ND-6007	.Frame, Main Hitch	1
11	ND-6004	.Link, Upper Pivot	1
12	ND-6006	.Frame, Blade Pivot	1

PARTS

ILLUSTRATED DRAWING Blade Pivot Frame, Blade, & Cutting Edge



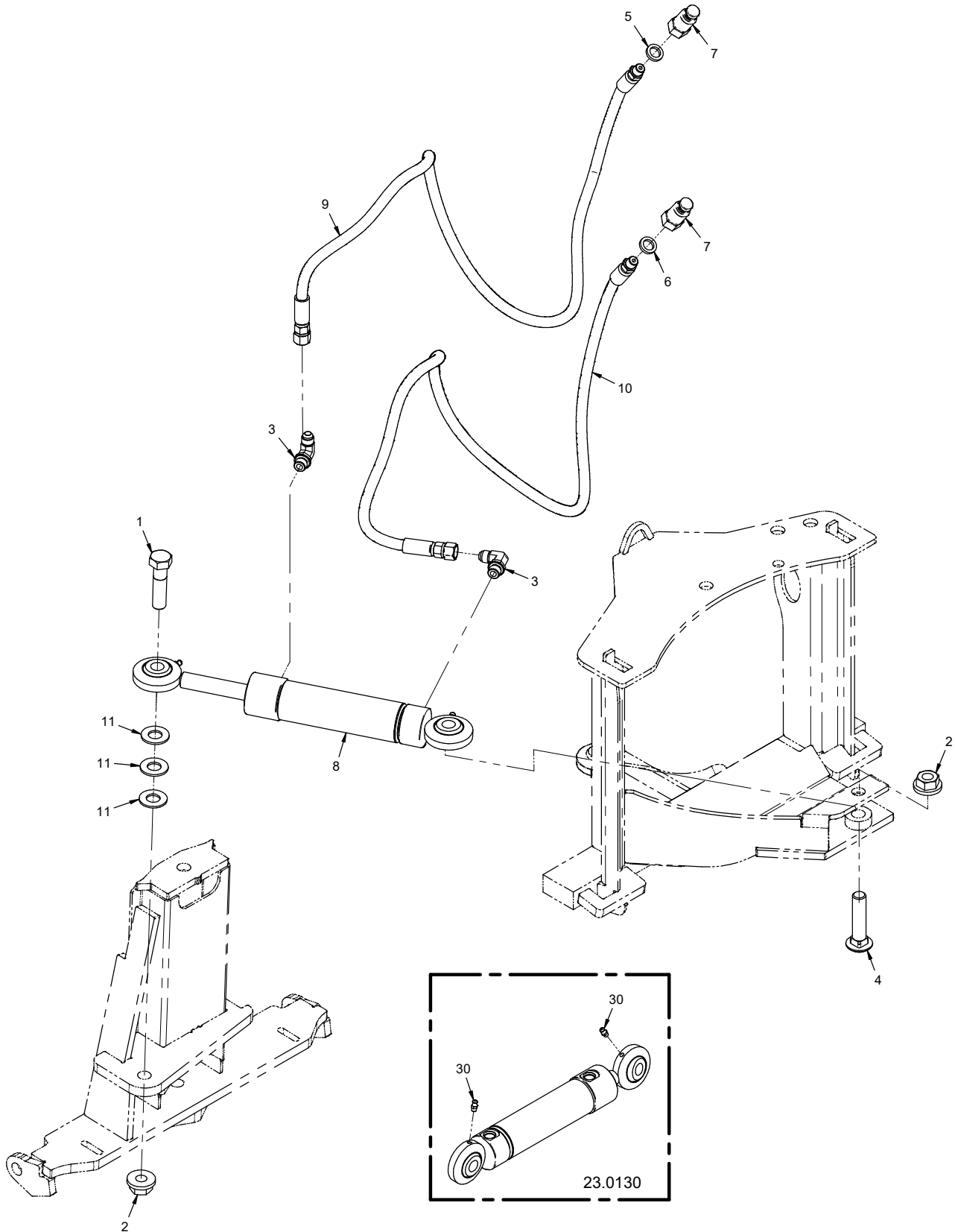
PARTS

Blade Pivot Frame, Blade, & Cutting Edge

REF.	PART NO.	DESCRIPTION	QTY.
1	95.10	.Washer, Flat 5/8 SAE	2
2	99.E0094	.Locknut, 5/8-11 Flanged Stover	2
3	64.1997	.Bushing, Blade Pivot	2
4	90.1016	.Bolt, 5/8-11 USS x 2	2
5	78.0065	.Cutting Edge, 3/8" x 4" x 42"	1
6	97.0610	.Bolt, Carriage 3/8-16 x 1-1/4	6
7	99.SF06	.Nut, SRF 3/8-16 USS	6
8	41.0129	.Spring, Ext 2" OD x 8" Lg	2
9	99.K0094	.Bolt, Hanger 3/8-16 X 4	2
10	94.05	.Washer, Flat 5/16 USS	2
11	92.06	.Nut, 3/8-16 USS	4
12	00.0217	.Decal, Warning Read Owners Man (Serial # 01429-03230)	1
12	00.0619	.Decal, Read Operator's Man (Serial # 03231-)	1
13	00.0103	.Decal, Hazard - High Press. Fluid (Serial # 01429-03230)	1
13	00.0621	.Decal, High Pressure Fluid Hazard (Serial # 03231-)	1
14	00.0218	.Decal, Warning Pinch Point (Serial # 01429-03230)	2
14	00.0364	.Decal, Warning Pinch Point (Serial # 03231-)	2
15	00.0383	.Decal, Ventrac	1
16	ND-6006	.Frame, Blade Pivot	1
17	ND-6001	.Blade, Main Weldment	1
18	79.0083	.Shoe, Skid Round Asm.	2
30	03.0005	.Pin, Linch	1
31	95.16	.Washer, Flat 1 SAE	19

PARTS

ILLUSTRATED DRAWING Hydraulic Power Angle



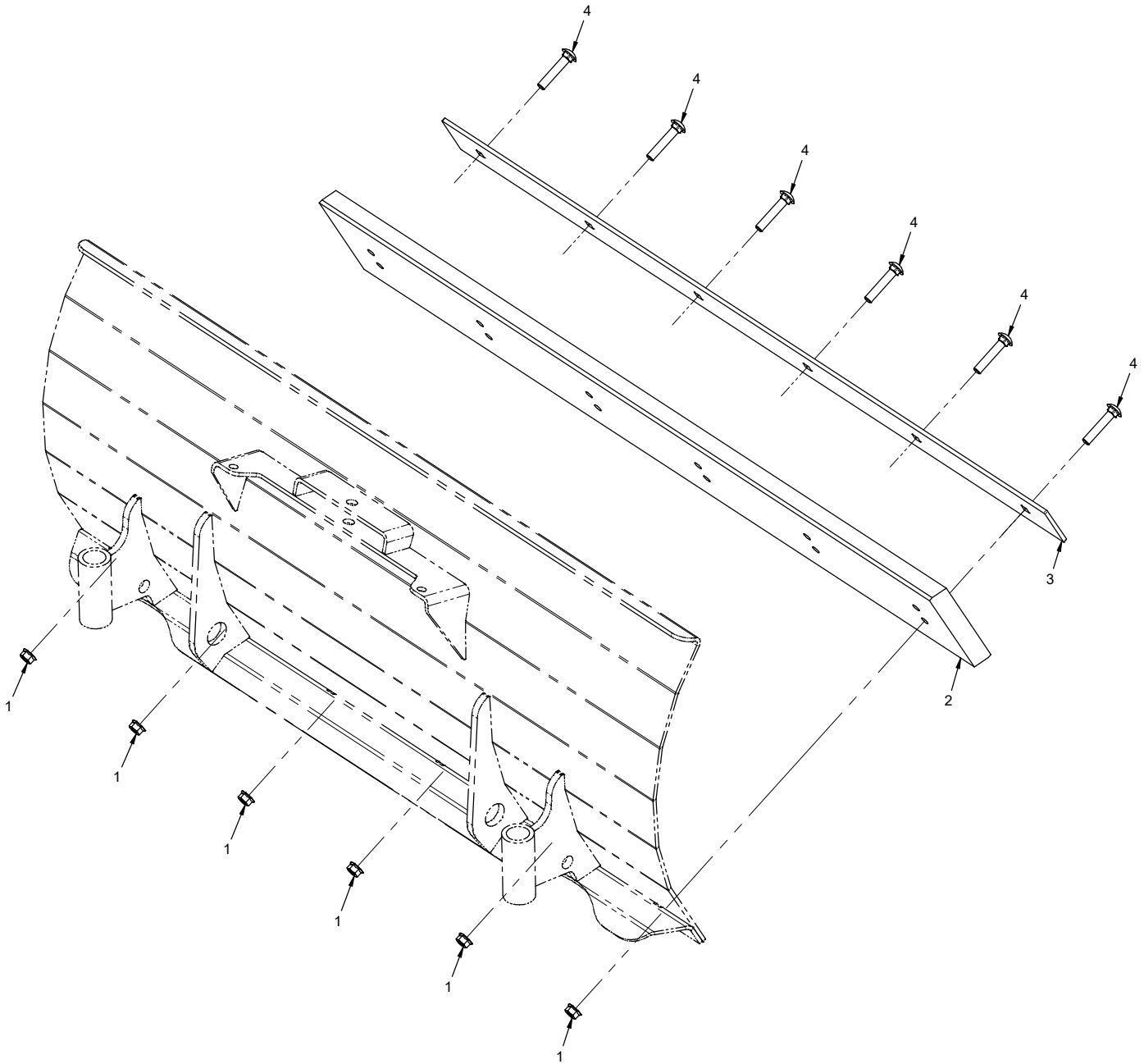
PARTS

Hydraulic Power Angle

REF.	PART NO.	DESCRIPTION	QTY.
1	90.1020	Bolt, 5/8-11 USS x 2-1/2	1
2	99.E0094	Locknut, 5/8-11 Flanged Stover	2
3	25.6801-06-06-CP	Fitting, 90 ME 3/8 x 3/8	2
4	97.1022	Bolt, Carriage 5/8-11 x 2-3/4	1
5	05.0116	Washer, .544 ID x .817 x .14 Red	1
6	05.0117	Washer, .544 ID x .817 x .14 Yel	1
7	23.0176	Coupler, Male Flat Face Quick 1/4	2
8	23.0130	Cylinder, 1-1/2" X 5"	1
9	20.0346	Hose, 1/4x30.00 SAE 100R17AR	1
10	20.0347	Hose, 1/4x35.00 SAE 100R17AR	1
11	95.10	Washer, Flat 5/8 SAE	3
30	29.GF0001	Grease Ftg, 1/4 SAE ST	2

PARTS

ILLUSTRATED DRAWING 70.8181 Polyurethane Edge Kit



PARTS

70.8181 Polyurethane Edge Kit

REF.	PART NO.	DESCRIPTION	QTY.
1	99.SF06	Nut, SRF 3/8-16 USS	6
2	44.0391	Cutting Edge, Poly 1 x 6 x 42"	1
3	64.1998	Clamp, Poly Backer 41-1/2"	1
4	97.0616	Bolt, Carriage 3/8 x 2	6