

Parts Manual

MS600

Finish Mower

Europe CE



Revised 08/25/23
09.20045 Rev. 03



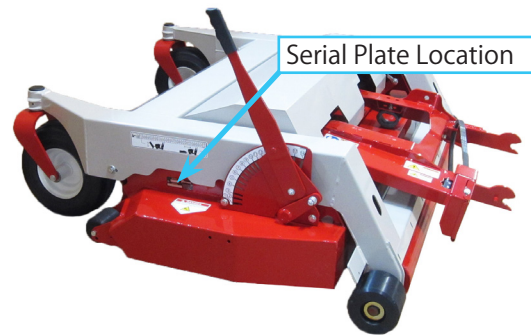
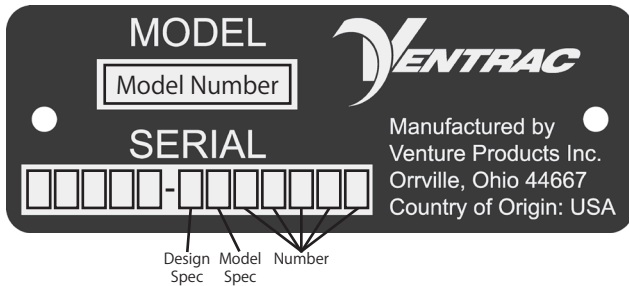
500 Venture Drive
Orrville Oh 44667
www.ventrac.com

[View all manuals](#)



Visit ventrac.com/manuals for the latest version of this operator's manual. A downloadable parts manual is also available.

Serial Number Description



Notes

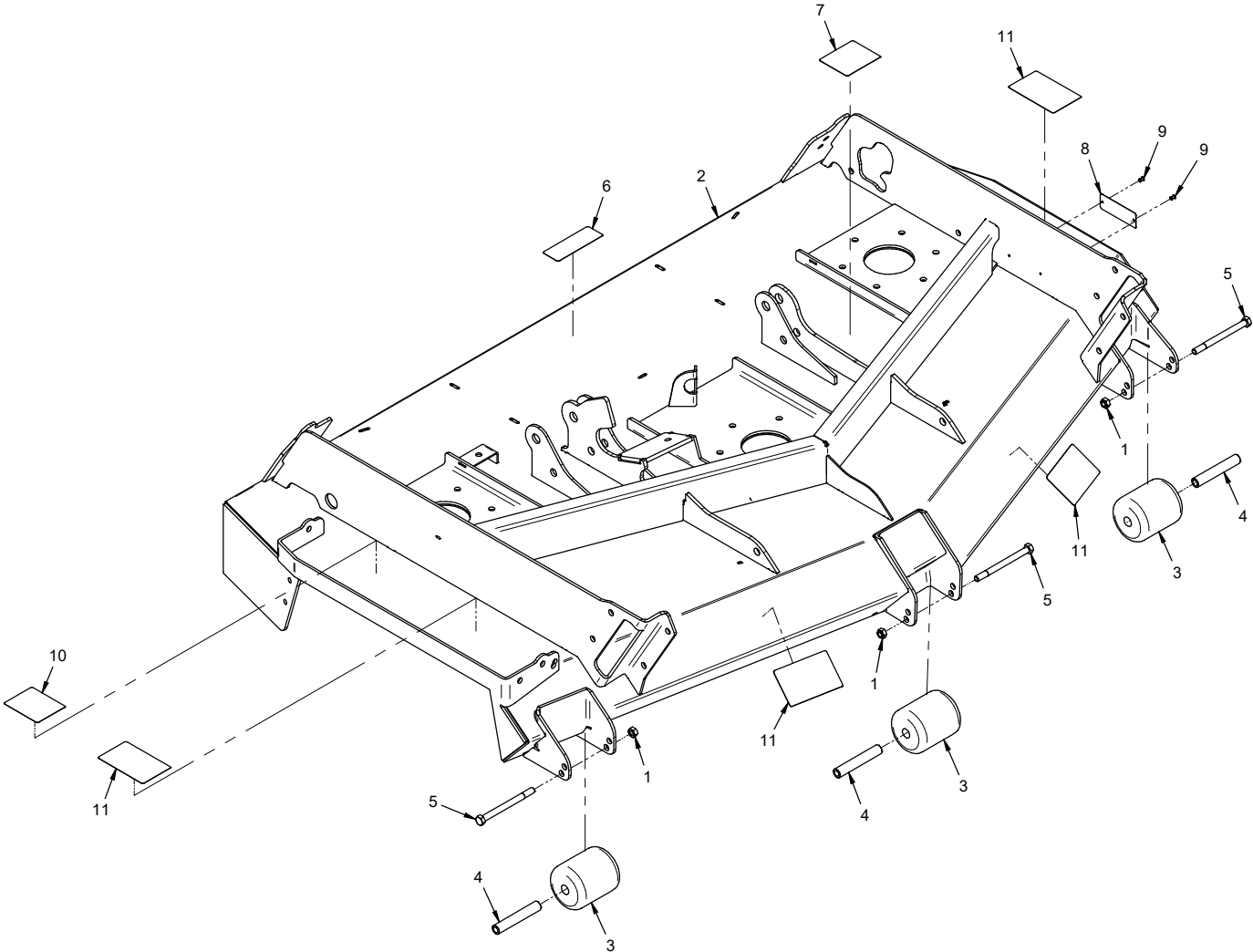
- If any component requires replacement, use only original Ventrac replacement parts.
- When ordering new components, be sure to order all required safety decals. All current safety decals must be affixed to the replacement components prior to installation of the component.

TABLE OF CONTENTS

PARTS	PAGE 4
Main Frame & Front Anti-Scalp Rollers	4
Carrier Frame & Wheels	6
Hitch Arms.....	8
Drive Shaft & Attachment Belt	10
Main Deck Belt, Pulleys, & Belt Tensioner	12
Spindles & Blades	14
Mulch Rings	16
Rear Roller	18
Height Adjust Linkage & Deck Slides	20
Main Deck Cover Shield.....	22
70.8163 & 70.8214 Hydraulic Flip Up Kit.....	24

PARTS

ILLUSTRATED DRAWING Main Frame & Front Anti-Scalp Rollers



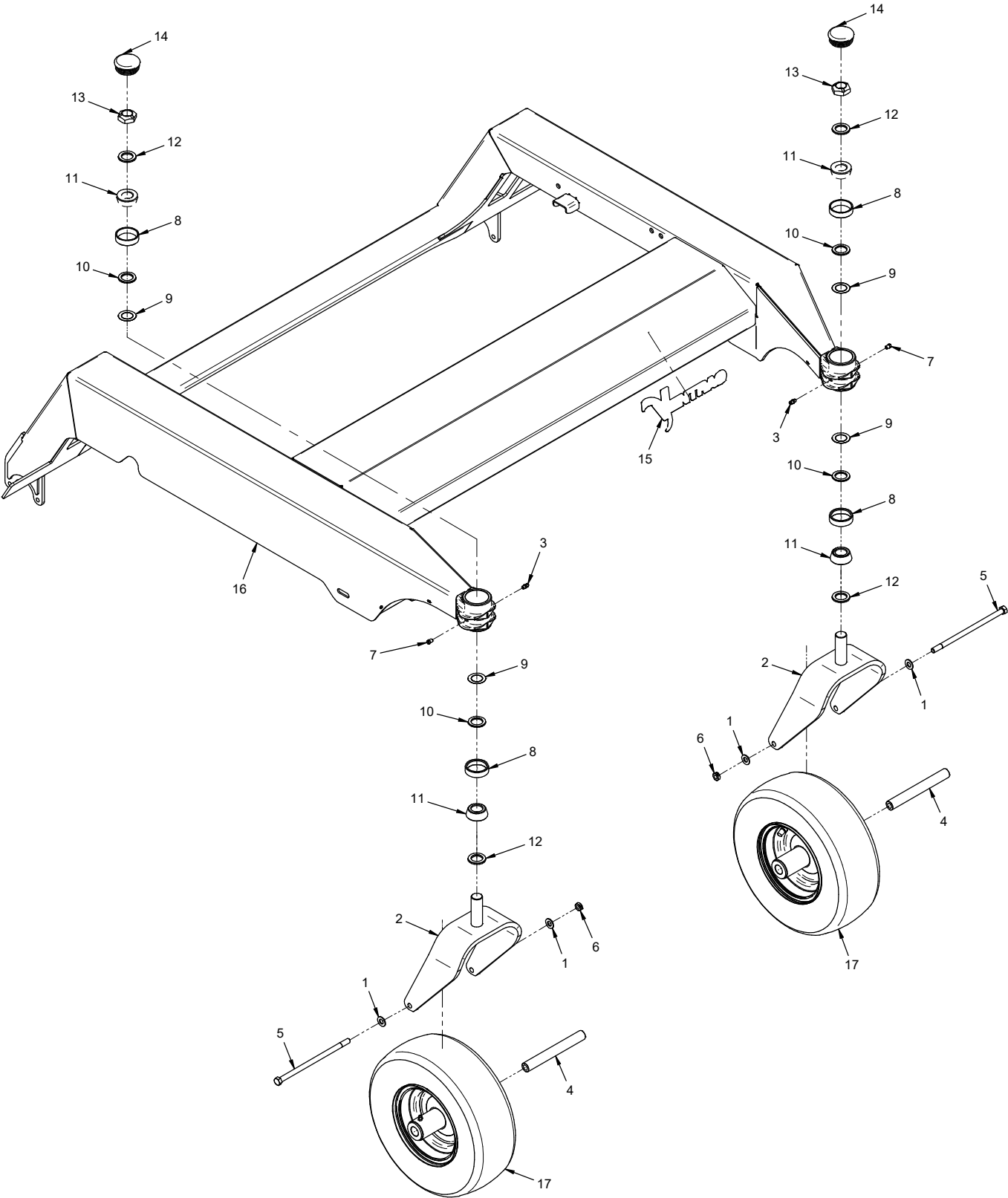
PARTS

Main Frame & Front Anti-Scalp Rollers

REF.	PART NO.	DESCRIPTION	QTY.
1	99.A06	Locknut, Stover 3/8-16 USS	.3
2	62.1459	Frame, Deck Weldment MS600	.1
3	50.0047	Roller, Front 3" Dia X 3-1/2"	.3
4	50.0046	Tube, Axle Front Roller	.3
5	90.0636	Bolt, 3/8-16 USS x 4-1/2	.3
6	00.0102	Decal, Danger - Pinching Hazard (Serial # 01001-02312)	.1
6	00.0620	Decal, Pinching or Crushing Hazard (Serial # 02313-)	.1
7	00.0062	Decal, Danger Shield Missing (Serial # 01001-02312)	.1
7	00.0625	Decal, Shield Missing (Serial # 02313-)	.1
8	N/A	Plate, Ventrac Serial Number	.1
9	04.0003	Rivet, Pop 1/8 X 3/8 SS	.2
10	00.0122	Decal, Thrown Object Hazard (Serial # 01001-02312)	.1
10	00.0627	Decal, Thrown Object Hazard (Serial # 02313-)	.1
11	00.0123	Decal, Keep Hands & Feet Clear (Serial # 01001-02312)	.4
11	00.0628	Decal, Cutting Hazard Mower Blade (Serial # 02313-)	.4

PARTS

ILLUSTRATED DRAWING Carrier Frame & Wheels



PARTS

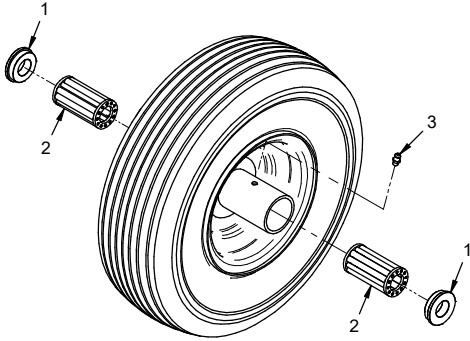
Carrier Frame & Wheels

REF.	PART NO.	DESCRIPTION	QTY.
1	95.06	Washer, Flat 3/8 SAE	4
2	50.0195	Yoke, Caster 13" Wheel	2
3	29.GF0001	Grease Ftg, 1/4 SAE ST	2
4	50.0050	Tube, Swivel Axle	2
5	90.0660	Bolt, 3/8-16 USS x 7-1/2	2
6	99.A06C	Locknut, Center 3/8-16	2
7	29.GF0011	Grease Ftg, Plug 1/4-28	2
8	55.LM12710	Bearing, Cup	4
9	85.B0101	Bushing, .005 Spacer	4
10	85.B0099	Bushing, .875ID x 1.375OD x .120T	4
11	55.LM12749LA2	Bearing, Taper Roller Cone	4
12	99.B0119	Washer, Mach 7/8 x 1-3/8 x 10 GA	4
13	99.M0047	Locknut, Stover M22 X 1.5 ZP	2
14	05.0172	Plug, Ribbed Black LDPE	2
15	00.0383	Decal, Ventrac	1
16	62.1456	Frame, Main Carrier MS600	1
17	53.0155	Wheel, Asm 13 x 5 x 6 Caster (Serial # 01001-02180)	2
17	53.0148	Wheel, Asm 13x5x6 Rib Flatfree (Optional - white rim)	2
17	53.0216	Wheel, Asm 13 x 5 x 6 Caster (Serial # 02181 -02240)	2
17	53.0213	Wheel, Asm 13 x 5 x 6 Caster (Serial # 02241-)	2
17	53.0214	Wheel, Asm 13 x 5 x 6 Caster (Optional - black rim)	2

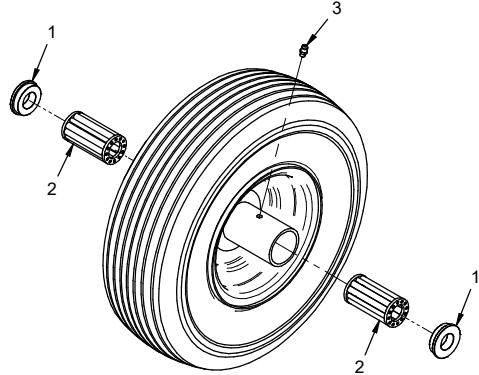
PARTS

ILLUSTRATED DRAWING Wheel Components

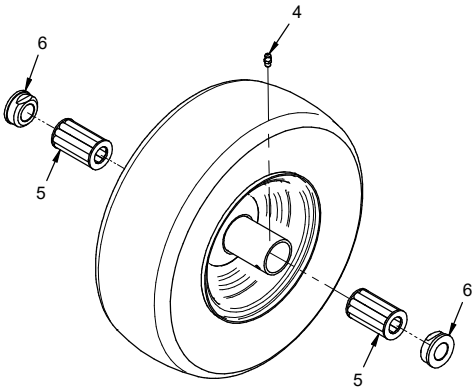
53.0155 - Standard White Rim (Serial # 01001-02180)



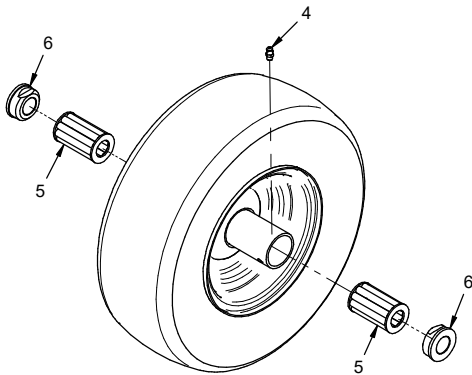
53.0148 - Optional Flatfree White Rim



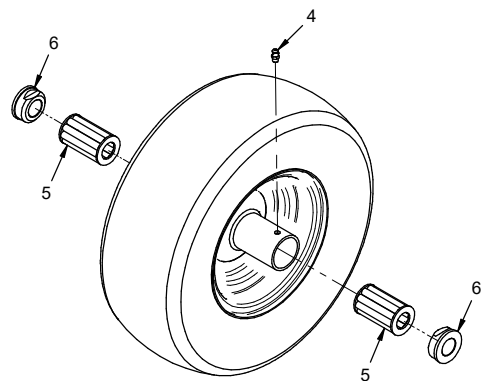
53.0216 - Standard White Rim (Serial # 02181-02240)



53.0213 - Standard Black Rim (Serial # 02241-)



53.0214 - Optional Flatfree Black Rim



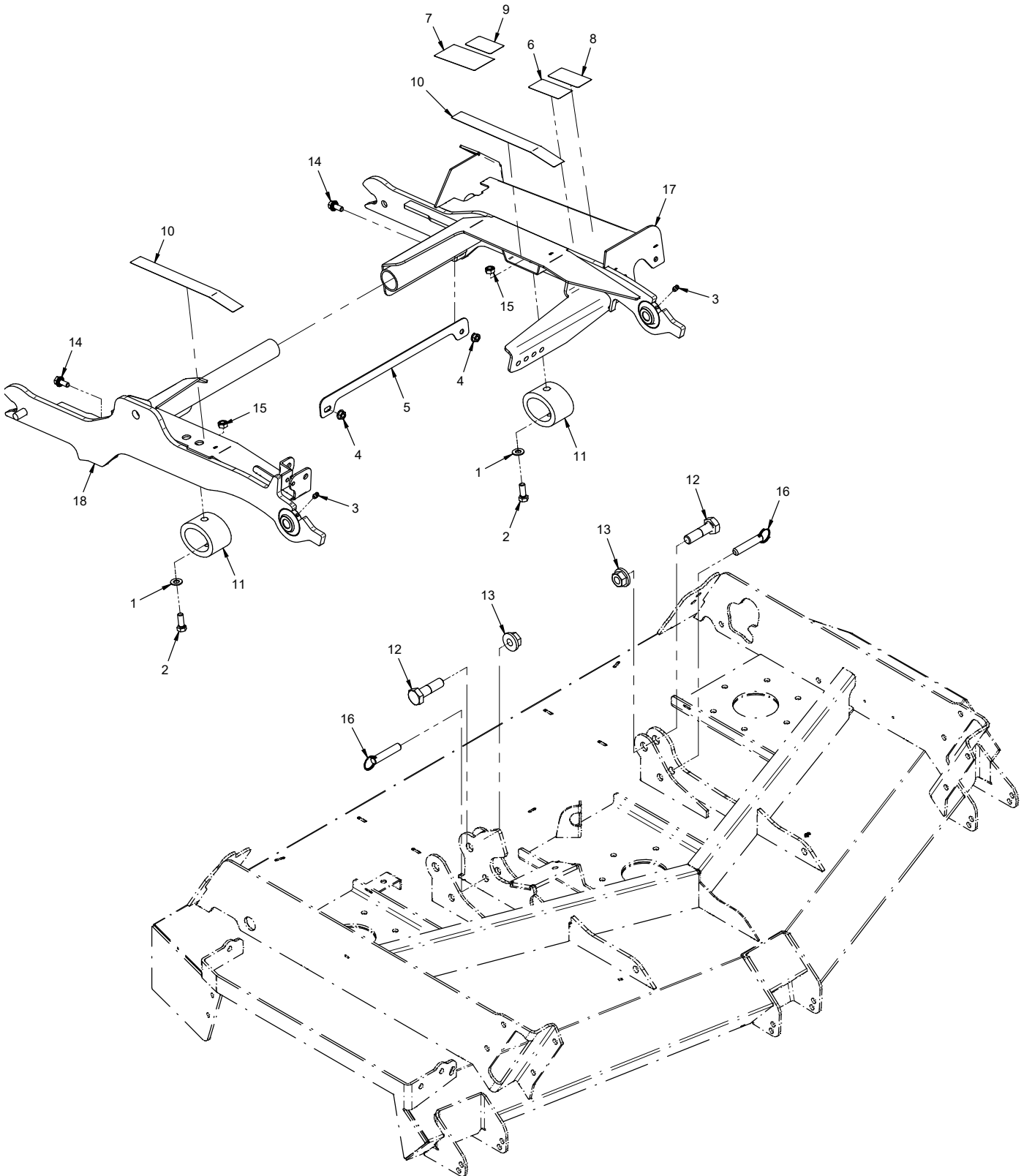
PARTS

Wheel Components

REF.	PART NO.	DESCRIPTION	QTY.
1.....	55.0072	Bearing, Retainer 3/4"	2
2.....	55.0088	Bearing, Roller Replacement	2
3.....	29.GF0001	Grease Ftg, 1/4 SAE ST	1
4.....	29.GF0001	Grease Ftg, 1/4 SAE ST	1
5.....	55.0116	Bearing, Roller 2.25" Long.	2
6.....	55.0114	Retainer, Roller Bearing 3/4"	2

PARTS

ILLUSTRATED DRAWING Hitch Arms



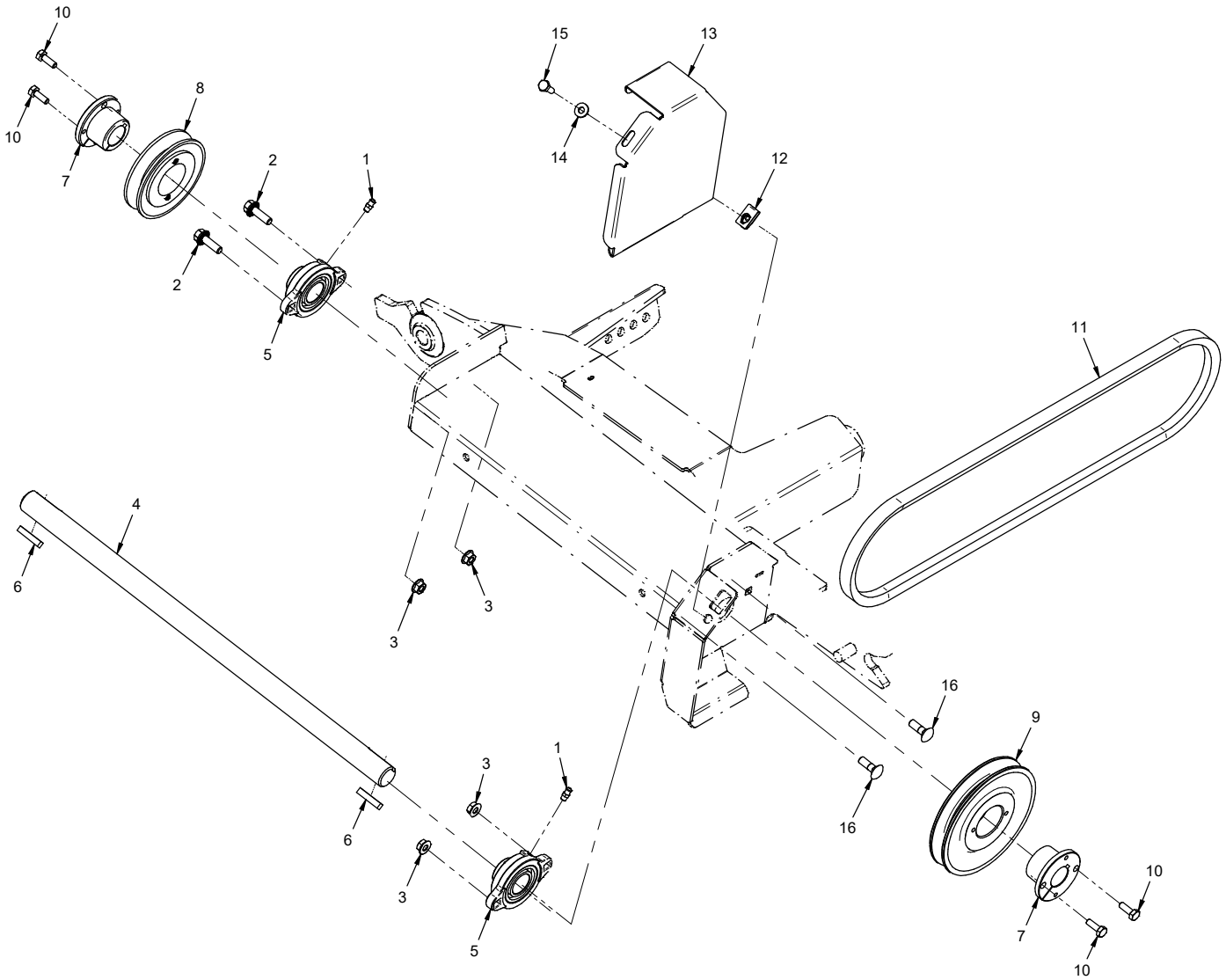
PARTS

Hitch Arms

REF.	PART NO.	DESCRIPTION	QTY.
1	95.06	Washer, Flat 3/8 SAE	2
2	90.0608	Bolt, 3/8-16 USS x 1	2
3	29.GF0001	Grease Ftg, 1/4 SAE ST	2
4	99.SF05	Nut, SRF 5/16-18 USS	2
5	64.1934	Brace, Hitch Arm Spacing	1
6	00.0217	Decal, Warning Read Owners Man (Serial # 01001-02312)	1
6	00.0619	Decal, Read Operator's Manual (Serial # 02313-)	1
7	00.0220	Decal, General Safety (Serial # 01001-02312)	1
8	00.0219	Decal, Warning Do Not Reach (Serial # 01001-02312)	1
8	00.0632	Decal, Moving Parts Hazard (Serial # 02313-)	1
9	00.0216	Decal, Warning Moving Parts (Serial # 01001-02312)	1
9	00.0631	Decal, Finger/Hand Entanglement (Serial # 02313-)	1
10	00.0427	Decal, Wear Resistant	2
11	05.0169	Bumper, Elastomer 1300 LBS PF	2
12	99.K0111	Bolt, 5/8-11 X 2-1/4 Grd A325	2
13	99.E0094	Locknut, 5/8-11 Flanged Stover	2
14	99.SF0506	Bolt, SRF 5/16-18 USS X 3/4	2
15	99.A06	Locknut, Stover 3/8-16 USS	2
16	03.0007	Pin, Ball 1/2 x 1.8"	2
17	62.1452	Hitch, Arm Left MS720	1
18	62.1453	Hitch, Arm Right MS720	1

PARTS

ILLUSTRATED DRAWING Drive Shaft & Attachment Belt



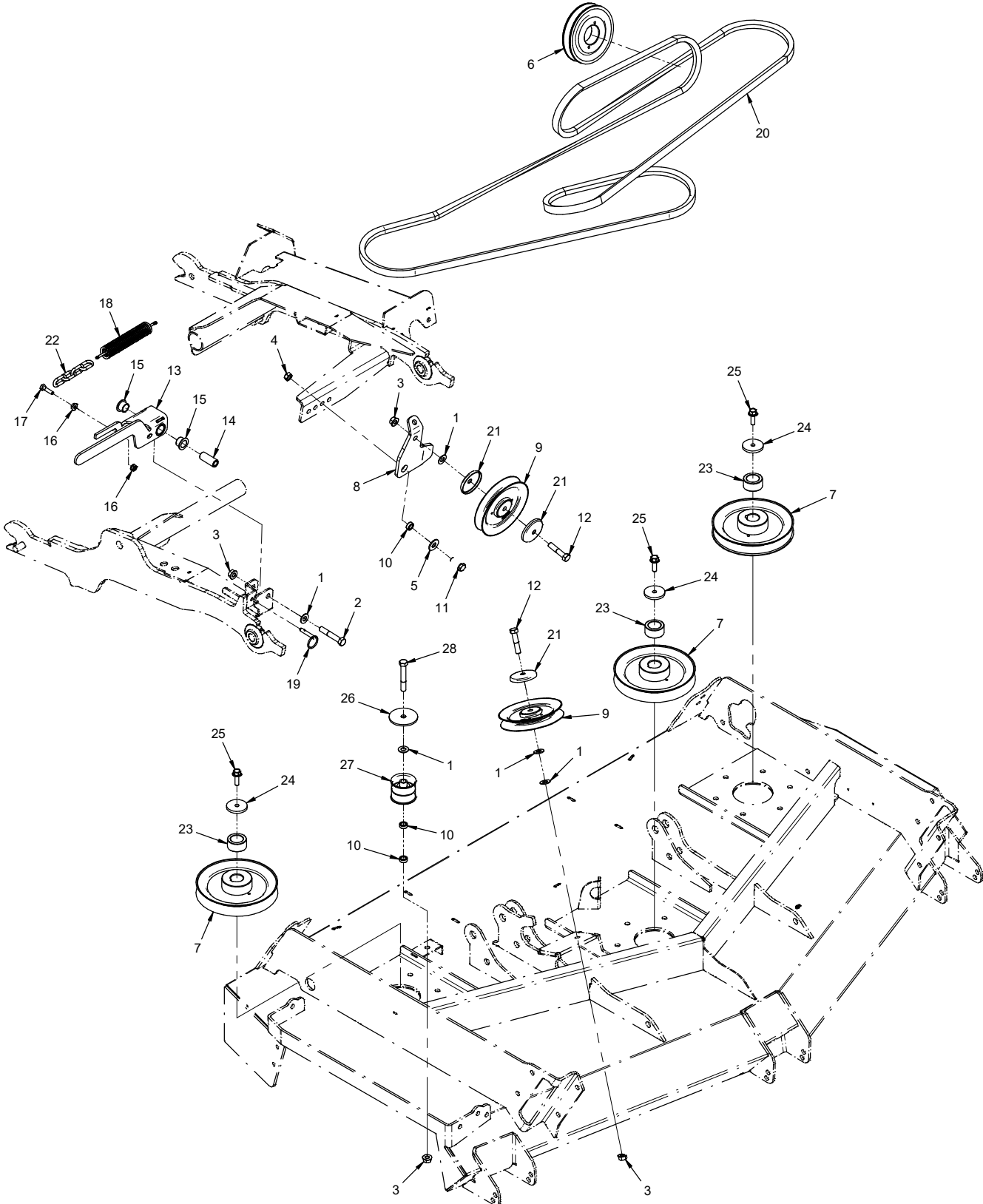
PARTS

Drive Shaft & Attachment Belt

REF.	PART NO.	DESCRIPTION	QTY.
1.....	29.GF0001.....	Grease Ftg, 1/4 SAE ST.....	.2
2.....	99.SF0508.....	Bolt, SRF 5/16-18 USS X 1.....	.2
3.....	99.SF05.....	Nut, SRF 5/16-18 USS.....	.4
4.....	80.0389.....	Shaft, Hitch Arm.....	.1
5.....	55.FB16016-1.....	Bearing, Flange Block 1".....	.2
6.....	85.K0410.....	Key, 1/4 X 1-1/4.....	.2
7.....	83.H16S.....	Bushing, 1" Split 1/4" Key.....	.2
8.....	83.BK40H.....	Pulley, 4" H-Bush.....	.1
9.....	83.BK55H.....	Pulley, 5.5" H-Bush.....	.1
10.....	90.0406.....	Bolt, 1/4-20 USS x 3/4".....	.4
11.....	81.B045.....	Belt, B45.....	.1
12.....	99.E0046.....	Nut, "U" 1/4-20 Extruded.....	.1
13.....	60.0665.....	Shield, Drive Pulley.....	.1
14.....	95.04.....	Washer, Flat 1/4 SAE.....	.1
15.....	90.0406.....	Bolt, 1/4-20 USS x 3/4".....	.1
16.....	99.SF0508.....	Bolt, SRF 5/16-18 USS X 1 (Serial # 01001-02000).....	.2
16.....	97.0508.....	Bolt, Carriage 5/16 x 1" (Serial # 02001-).....	.2

PARTS

ILLUSTRATED DRAWING Main Deck Belt, Pulleys, & Belt Tensioner



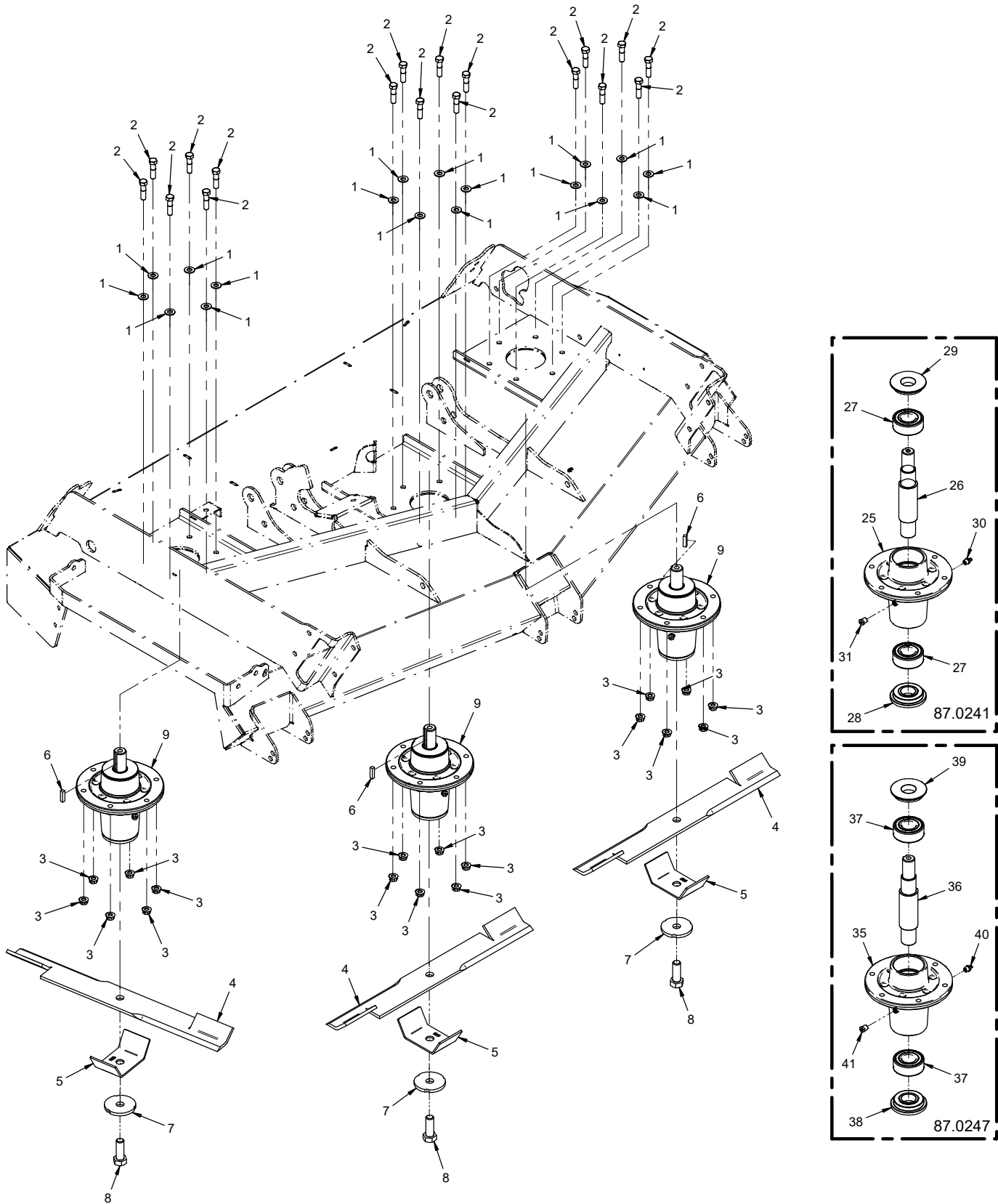
PARTS

Main Deck Belt, Pulleys, & Belt Tensioner

REF.	PART NO.	DESCRIPTION	QTY.
1	95.06	Washer, Flat 3/8 SAE	5
2	90.0618	Bolt, 3/8-16 USS x 2-1/4	1
3	99.SF06	Nut, SRF 3/8-16 USS	4
4	99.A06	Locknut, Stover 3/8-16 USS	1
5	94.06	Washer, Flat 3/8 USS	1
6	83.BK40H	Pulley, 4" H-Bush	1
7	83.0064	Pulley, 6-1/2, 25MM Str. Bore	3
8	40.0399	Idler Arm, Belt Tension	1
9	83.0031	Pulley, V-Idler 5-1/16 X 3/8ID	2
10	64.0602	Bushing, 3/8 x 5/8 x .265	3
11	99.SF0608	Bolt, SRF 3/8-16 USS x 1	1
12	90.0614	Bolt, 3/8-16 USS x 1-3/4	2
13	70.8218	Kit, Belt Tension/Cylinder Lock (2 parts)	1
14	64.1936	Bushing, Belt Tension Pivot	1
15	85.B0088	Bushing, 5/8 ID X 3/4 OD X 1/2	2
16	99.SF04	Nut, SRF 1/4-20 USS	2
17	90.0408	Bolt, 1/4-20 USS x 1"	1
18	41.0048	Spring, Ext. 1 OD X 6	1
19	03.0022	Pin, Ball 1/4" x 1"	1
20	81.0161	Belt, B158 Custom	1
21	60.1056	Cover, Pulley	3
22	81.0160	Chain, 1/8 Plated x 4 Links	1
23	64.1976	Bushing, 1ID X 1.5OD X .750L	3
24	99.B0128	Washer, .323 ID x 1.50 OD (Serial # 01001-01364)	3
24	99.B0134	Washer, .448 ID x 1.50 OD (Serial # 01365-)	3
25	99.SF0508-8	Bolt, SRF 5/16-18 X 1 GR8 (Serial # 01001-01364)	3
25	91.0708-8	Bolt, 7/16-20 x 1 Gr8 (Serial # 01365-)	3
26	99.B0120	Washer, 2-1/4OD x 13/32ID x 10GA	1
27	83.0068	Pulley, Idler Flat 3/8 x 2	1
28	90.0620	Bolt, 3/8-16 USS x 2-1/2	1

PARTS

ILLUSTRATED DRAWING Spindles & Blades



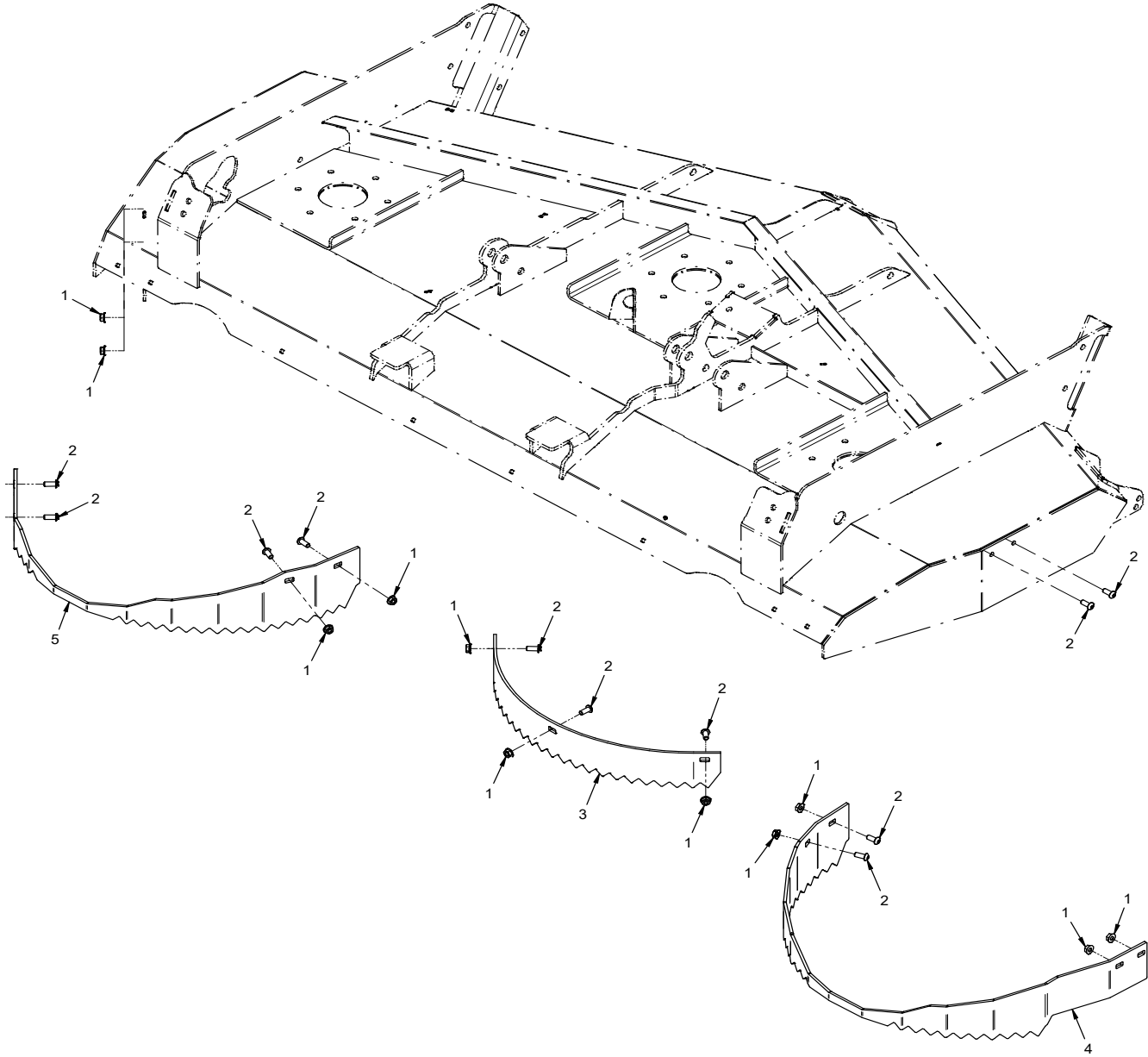
PARTS

Spindles & Blades

REF.	PART NO.	DESCRIPTION	QTY.
1	95.06	Washer, Flat 3/8 SAE	18
2	90.0612	Bolt, 3/8-16 USS x 1-1/2	18
3	99.E0082	Nut, Locking Flange 3/8-16	18
4	79.0108	Blade, 21x5/8 RH S Lowlift	3
5	64.2003	Guard, Spindle/Anti-String	3
6	85.K0408	Key, 1/4 X 1	3
7	99.B0097	Washer, .635 ID X 2-1/2 OD 1/4	3
8	91.1014	Bolt, 5/8-18 SAE x 1-3/4	3
9	87.0241	Spindle, Asm HD RH (Serial # 01001-01364)	3
9	87.0247	Spindle, Asm HD AI RH (Serial # 01365-)	3
25	87.0241-1	Housing, Spindle AL	1
26	87.0241-2	Shaft, Spindle RH	1
27	55.0095	Bearing, Ball 30MM x 62MM	2
28	87.0224-3	Shield, Spindle Bottom	1
29	87.0225-3	Shield, Spindle Top	1
30	29.GF0004	Grease Ftg, 1/8 NPT St	1
31	29.GF0017	Fitting, Relief	1
35	87.0241-1	Housing, Spindle AL	1
36	87.0247-2	Shaft, Spindle RH	1
37	55.0095	Bearing, Ball 30MM x 62MM	2
38	87.0224-3	Shield, Spindle Bottom	1
39	87.0225-3	Shield, Spindle Top	1
40	29.GF0004	Grease Ftg, 1/8 NPT St	1
41	29.GF0017	Fitting, Relief	1

PARTS

ILLUSTRATED DRAWING Mulch Rings



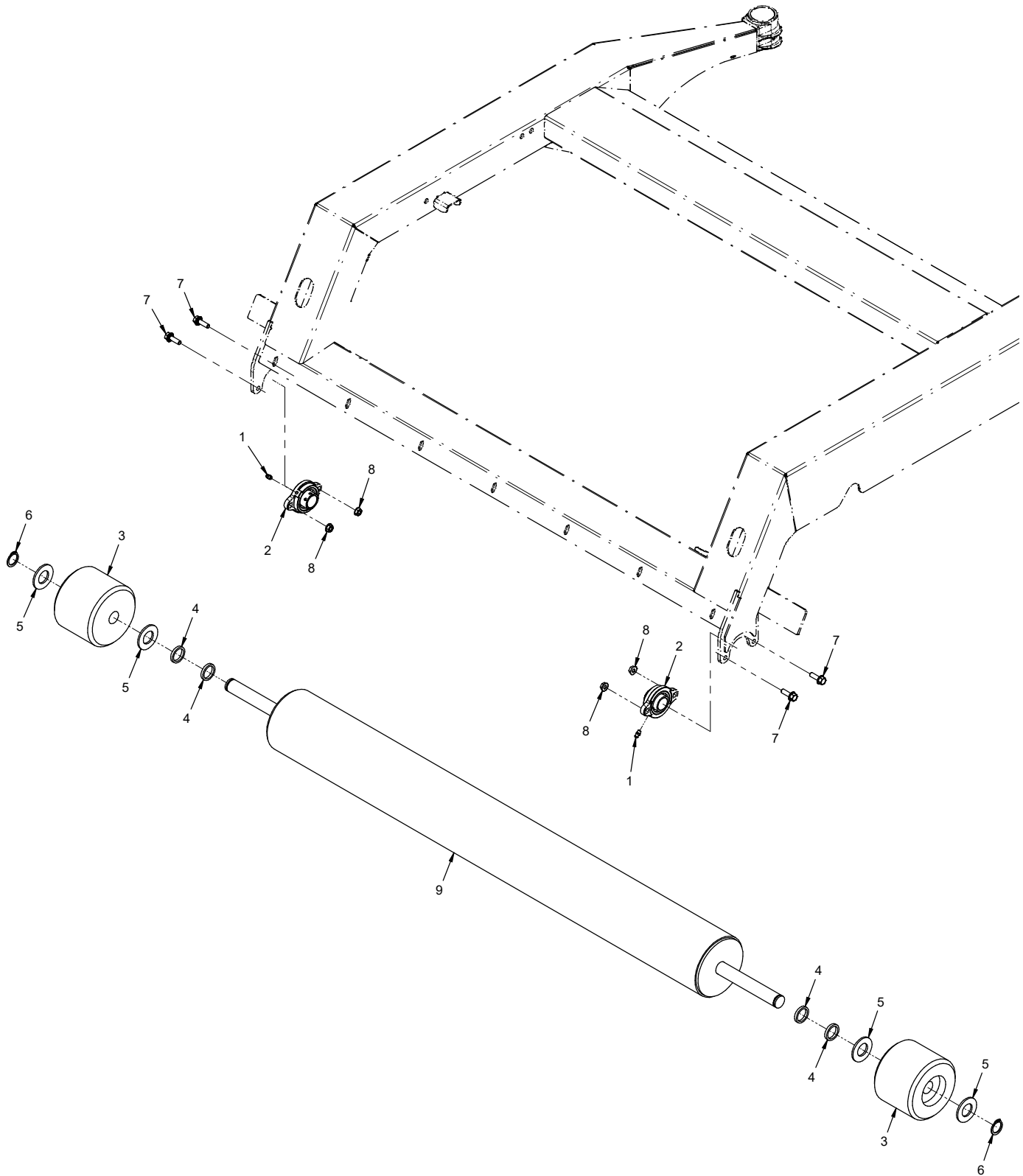
PARTS

Mulch Rings

REF.	PART NO.	DESCRIPTION	QTY.
1.....	99.SF05.....	Nut, SRF 5/16-18 USS.....	11
2.....	99.0506.....	Bolt, 5/16-18 x 3/4 BSCS.....	2
3.....	60.1300.....	Ring, Center Mulching.....	1
4.....	60.1298.....	Ring, Right Mulching.....	1
5.....	64.1981.....	Plate, Discharge End.....	1
6.....	60.1299.....	Ring, Left Mulching.....	1
7.....	97.0506.....	Bolt, Carriage 5/16-18 x 3/4.....	9

PARTS

ILLUSTRATED DRAWING Rear Roller



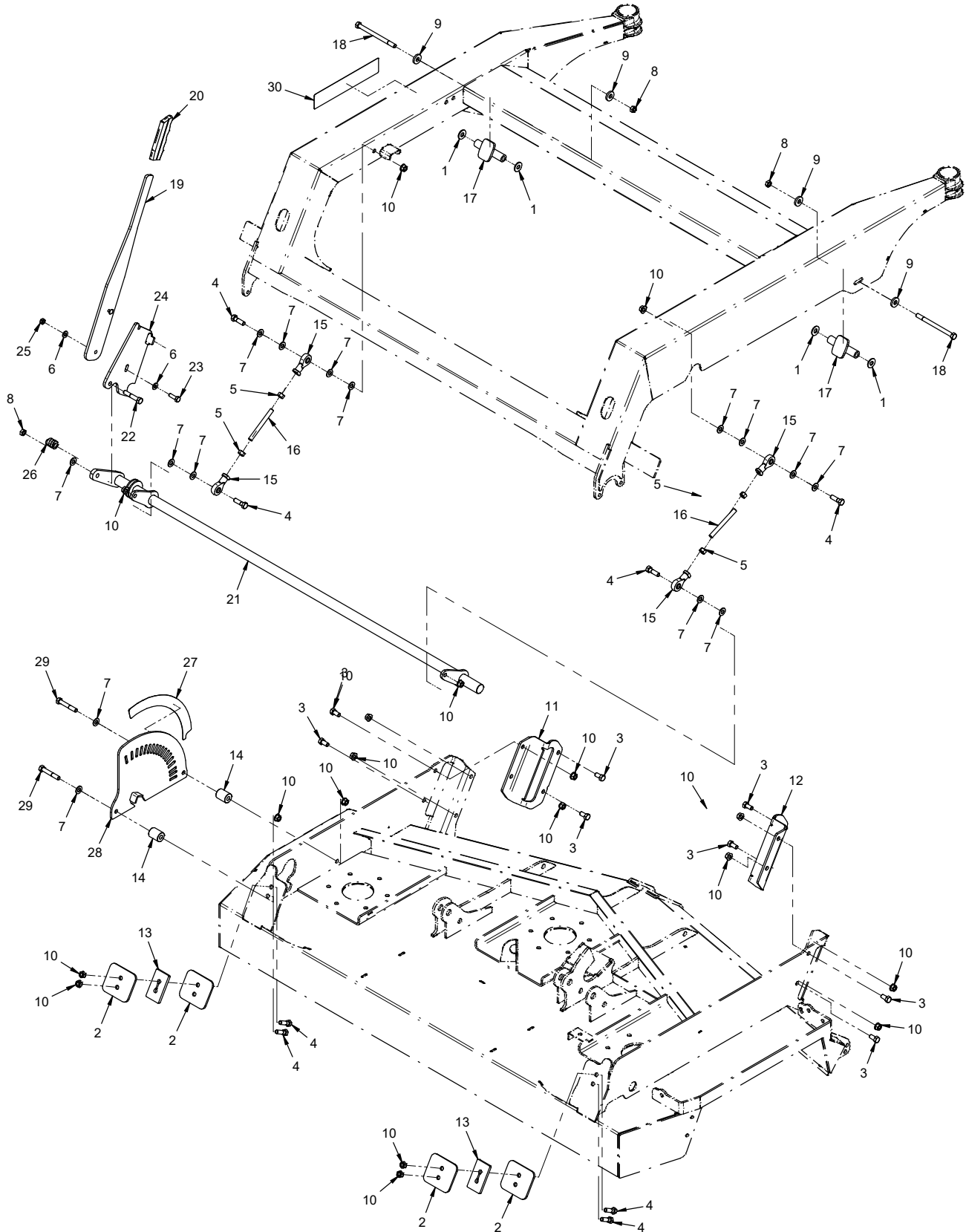
PARTS

Rear Roller

REF.	PART NO.	DESCRIPTION	QTY.
1.....	29.GF0001.....	Grease Ftg, 1/4 SAE ST.....	.2
2.....	55.FB16016-2.....	Bearing, 2 Bolt Flange 1".....	.2
3.....	50.0194.....	Roller, End 5" Dia x 4" Long.....	.2
4.....	64.1930.....	Spacer, Rear Roller End.....	.4
5.....	95.16.....	Washer, Flat 1 SAE.....	.4
6.....	04.0025.....	Snap Ring, Ext.1 Shft .078 Thk.....	.2
7.....	99.SF0508.....	Bolt, SRF 5/16-18 USS X 1.....	.4
8.....	99.SF05.....	Nut, SRF 5/16-18 USS.....	.4
9.....	80.0390.....	Roller, Rear MS600.....	.1

PARTS

ILLUSTRATED DRAWING Height Adjust Linkage & Deck Slides



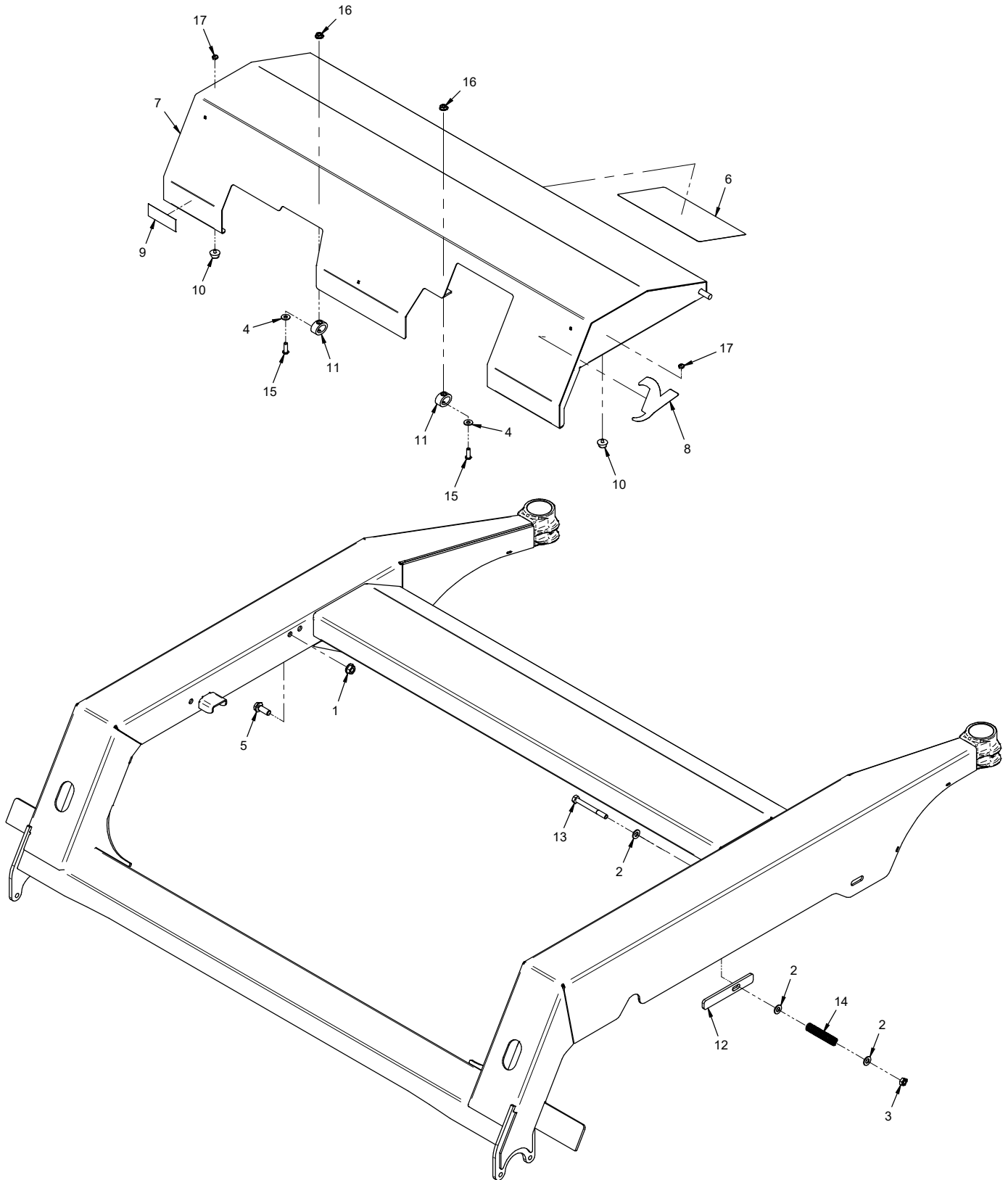
PARTS

Height Adjust Linkage & Deck Slides

REF.	PART NO.	DESCRIPTION	QTY.
1	94.06	Washer, Flat 3/8 USS	4
2	64.1179	Plate, Rear Slide Retainer	4
3	90.0606	Bolt, 3/8-16 USS x 3/4	8
4	90.0610	Bolt, 3/8-16 USS x 1-1/4	8
5	93.06	Nut, Hex 3/8-24 UNF	4
6	95.05	Washer, Flat 5/16 SAE	2
7	95.06	Washer, Flat 3/8 SAE	15
8	99.A06	Locknut, Stover 3/8-16 USS	3
9	99.G0014	Washer, 3/8 USS FW .165 Thk	4
10	99.SF06	Nut, SRF 3/8-16 USS	18
11	64.1904	Bracket, Front Slide Left	1
12	64.1905	Bracket, Front Slide Right	1
13	64.1181	Spacer, Rear Slide	2
14	64.0905	Tube, RD 7/16 X 1 X 1-1/4L	2
15	43.006	Rod End, 3/8 Spherical, Female	4
16	99.J0630NFZ	Rod, Threaded 3/8-24 x 5-3/8	2
17	64.1180	Tube, Front Slide	2
18	90.0640	Bolt, Hex 3/8-16 UNC x 5	2
19	64.1911	Lever, Height Adjuster	1
20	47.0086	Grip, Slip-On Handle - Black	1
21	42.0582	Shaft, Ht Adj Crossbar MS600	1
22	90.0612	Bolt, Hex 3/8-16 USS x 1-1/2 (Serial # 01001-01124)	1
22	90.0616	Bolt, Hex 3/8-16 USS x 2 (Serial # 01125-)	1
23	90.0508	Bolt, Hex 5/16-18 UNC x 1"	1
24	64.1910	Bracket, Height Adjuster	1
25	99.A05	Locknut, Stover 5/16-18 USS	1
26	41.0039	Spring, Comp 9/16 OD x 5/8 (Serial # 01001-01124)	1
26	41.0119	Spring, Comp .785 OD x 1 LG (Serial # 01125-)	1
27	00.0425	Decal, Cut Height Position	1
28	64.1961	PLATE, HEIGHT ADJUST SELECTOR	1
29	90.0618	Bolt, Hex 3/8-16 UNC x 2-1/4	2
30	00.0426	Decal, Cut Height Position Key	1

PARTS

ILLUSTRATED DRAWING Main Deck Cover Shield



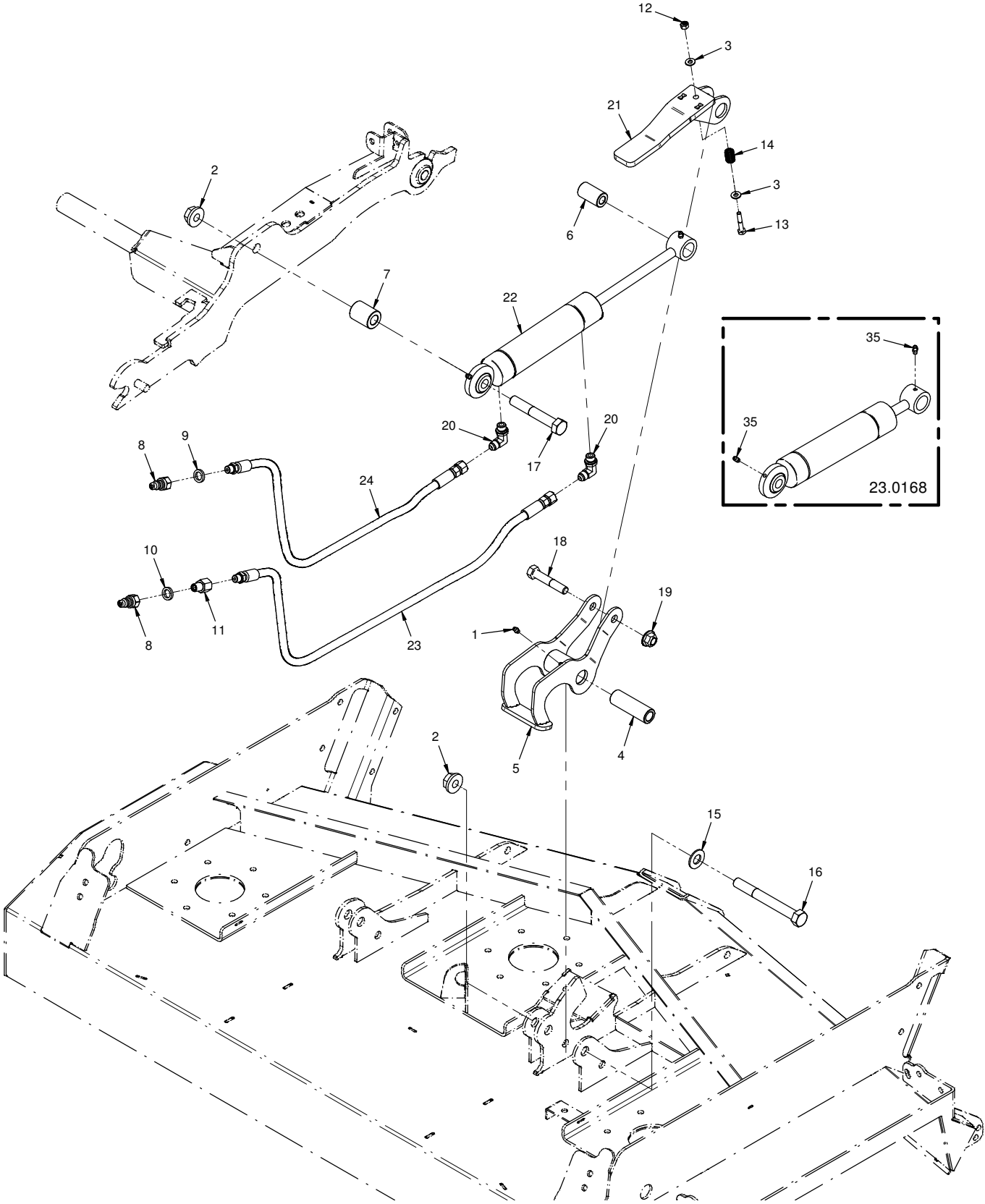
PARTS

Main Deck Cover Shield

REF.	PART NO.	DESCRIPTION	QTY.
1	99.SF06	Nut, SRF 3/8-16 USS	1
2	95.05	Washer, Flat 5/16 SAE	3
3	99.A05	Locknut, Stover 5/16-18 USS	1
4	95.04	Washer, Flat 1/4 SAE	2
5	99.SF0608	Bolt, SRF 3/8-16 UNC x 1	1
6	00.0428	Decal, Mower Maintenance	1
7	60.1274	Shield, Main Deck MS600	1
8	00.0192	Decal, V-Decal Die Cut Blue	1
9	00.0100	Decal, Made In USA	1
10	05.0171	Bumper, Neoprene 60 Duro	2
11	05.0170	Bumper, Elastomer 125 Lbs PF	2
12	64.0682	Bracket, Shield Spring	1
13	90.0524	Bolt, Hex 5/16-18 UNC x 3"	1
14	41.0021	Spring, Comp 1/2 OD X 2-3/4 LG	1
15	99.0406	Bolt, 1/4-20 x 3/4 BSCS	2
16	99.SF04	Nut, SRF 1/4-20 USS	2
17	99.E0104	Nut, Jam #8-32 Nylon Lock	2

PARTS

ILLUSTRATED DRAWING 70.8163 & 70.8214 Hydraulic Flip Up Kit



PARTS

70.8163 & 70.8214 Hydraulic Flip Up Kit

REF.	PART NO.	DESCRIPTION	QTY.
1	29.GF0001	Grease Ftg, 1/4 SAE ST	.1
2	99.E0094	Locknut, 5/8-11 Flanged Stover	.2
3	95.04	Washer, Flat 1/4 SAE	.2
4	64.1975	Bushing, .641 x 1.00 x 3.094L	.1
5	64.1972	Bracket, Flip Up Rocker	.1
6	64.1973	Bushing, .531 ID x 1 OD x 1.75L	.1
7	64.1974	Bushing, .656 x 1.25 x 1.625L	.1
8	23.0104	Coupler, Quick Male 1/4	.2
9	05.0117	Washer, .544 ID x .817 x .14 Yel	.1
10	05.0116	Washer, .544 ID x .817 x .14 Red	.1
11	29.0092	Fitting, .025 Orifice 1/4 Pipe	.1
12	99.A04N	Locknut, Nylon 1/4-20	.1
13	90.0412	Bolt, 1/4-20 USS x 1-1/2"	.1
14	41.0108	Spring, Comp. .531 OD X .780 LG	.1
15	95.10	Washer, Flat 5/8 SAE	.1
16	90.1044	Bolt, 5/8-11 USS x 5-1/2	.1
17	90.1032	Bolt, 5/8-11 USS x 4	.1
18	90.0822	Bolt, 1/2-13 USS x 2-3/4	.1
19	99.E0103	Nut, Locking Flange 1/2-13	.1
20	25.6801-06-06	Fitting, 90 ME 3/8 x 3/8	.2
21	70.8218	Kit, Belt Tension/Cylinder Lock (2 parts)	.1
22	23.0168	Cylinder, 1-3/4" X 5-1/4"	.1
23	20.0169	Hose, 1/4x38.00 SAE 100R17 AR	.1
24	20.0166	Hose, 1/4x35.00 SAE 100R17 AR	.1
35	29.GF0001	Grease Ftg, 1/4 SAE ST	.2