

Parts Manual

KC220

Stump Grinder



Revised 08/03/23
09.20066 Rev. 01



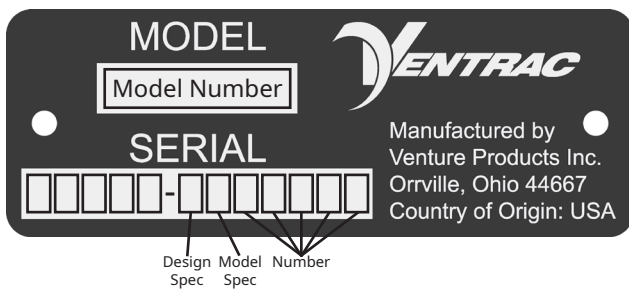
500 Venture Drive
 Orrville Oh 44667
 www.ventrac.com

View all manuals



Visit ventrac.com/manuals for the latest version of this parts manual. A downloadable operator's manual is also available.

Serial Number Description



Notes

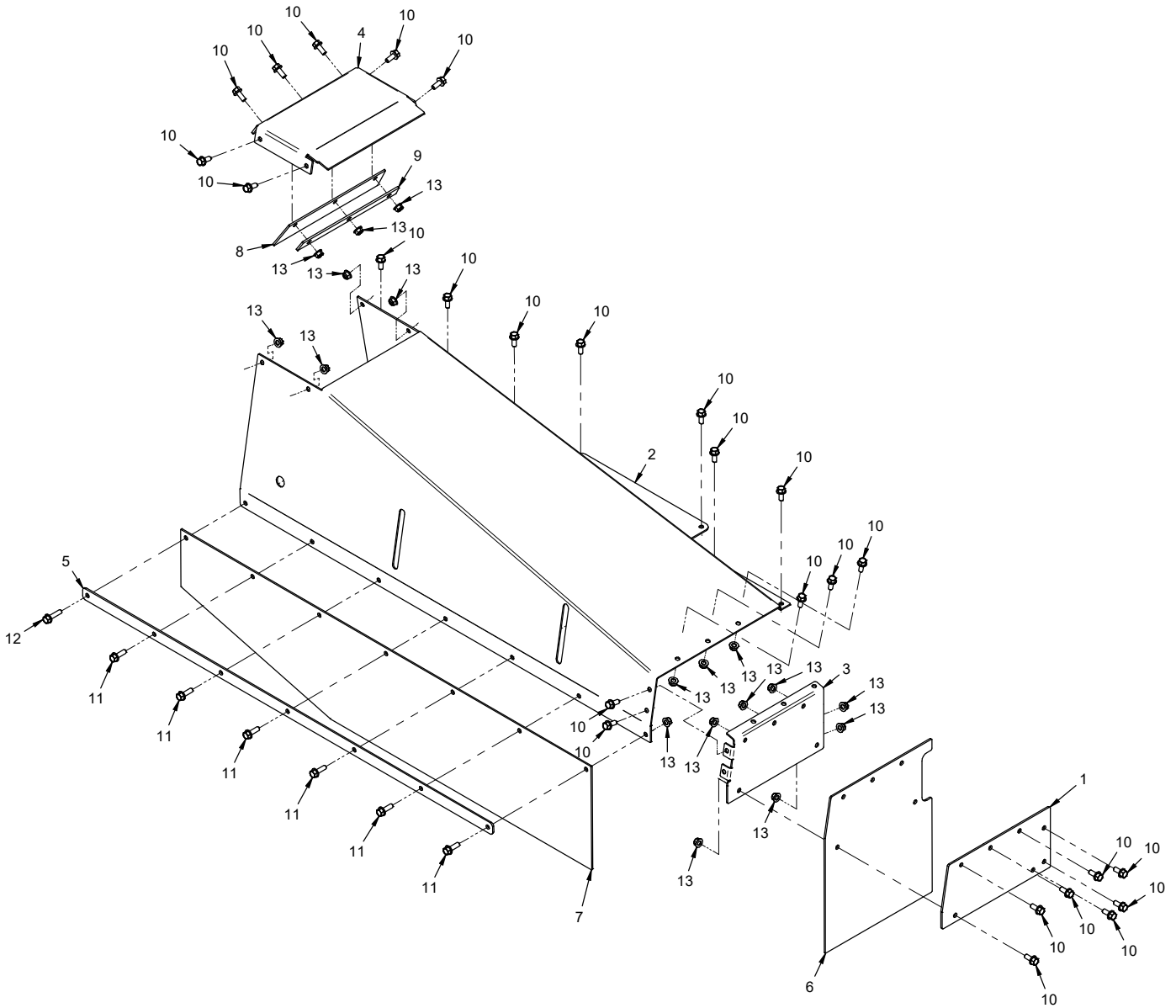
- If any component requires replacement, use only original Ventrac replacement parts.
- When ordering new components, be sure to order all required safety decals. All current safety decals must be affixed to the replacement components prior to installation of the component.

TABLE OF CONTENTS

PARTS	PAGE 4
Main Cover	4
Main Frame & Frame Covers.....	6
Frame Hitch & Hitch Covers	8
Drive Shaft & Pulleys.....	10
Hydraulics.....	12
Decals.....	14

PARTS

ILLUSTRATED DRAWING Main Cover



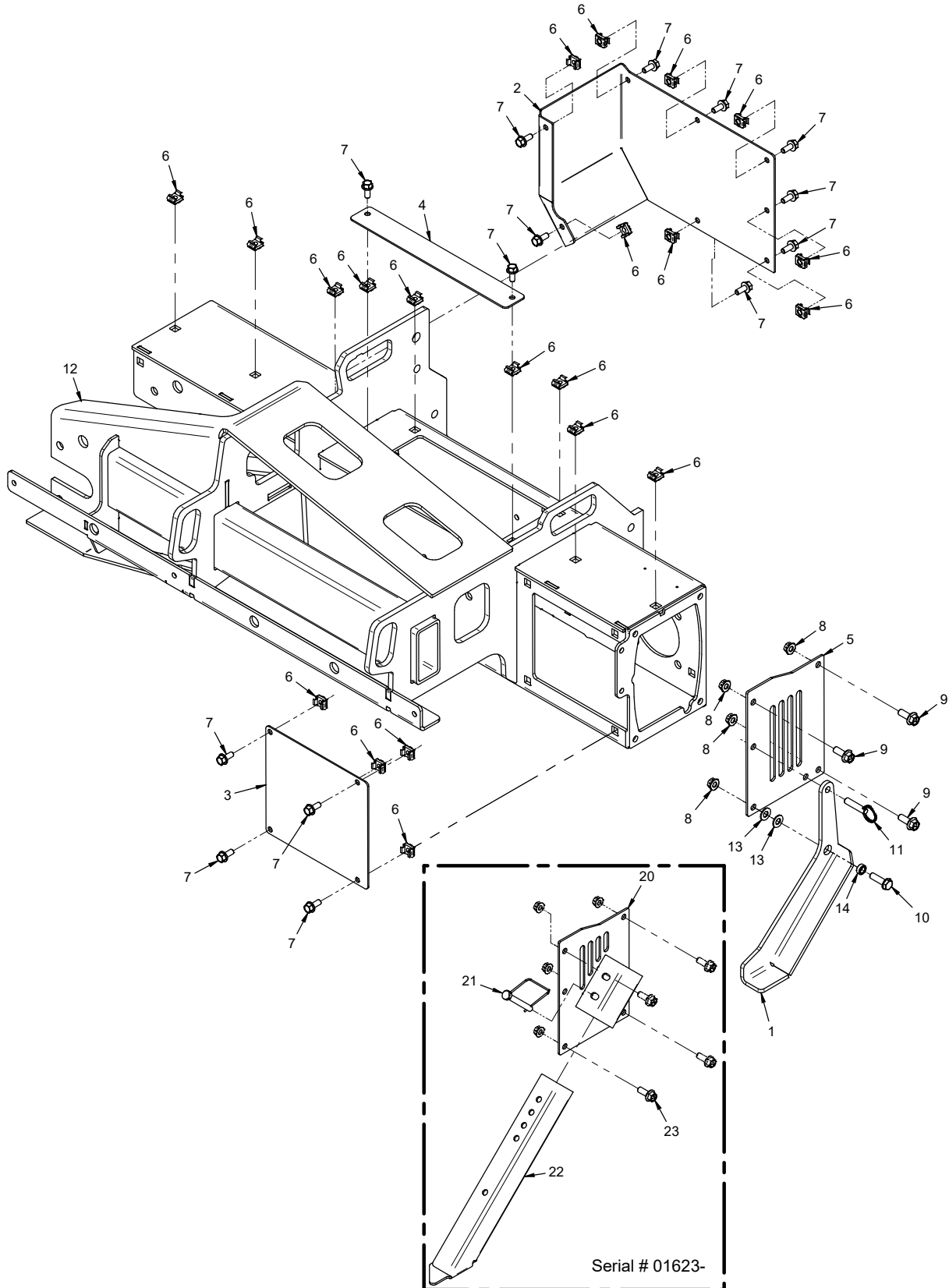
PARTS

Main Cover

REF.	PART NO.	DESCRIPTION	QTY.
1	KC-1081	.Plate, End	1
2	KC-1205	.Cover, Main.	1
3	KC-1209	.Cover, Main End.	1
4	KC-1220	.Cover, Main Top.	1
5	KC-1022	.Clamp, Front Belting.	1
6	KC-1027	.Belting, End	1
7	KC-1021	.Belting, Front.	1
8	KC-1092	.Belting, Top Cover.	1
9	KC-1093	.Clamp, Top Cover Belting.	1
10	99.SF0506-1	.Bolt, SMF 5/16-18 USS x 3/4.	26
11	99.SF0508-1	.Bolt, SMF 5/16-18 x 1	6
12	99.SF0510-1	.Bolt, SMF 5/16-18 USS X 1-1/4.	1
13	99.E0102	.Nut, Locking Flange 5/16-18	18

PARTS

ILLUSTRATED DRAWING Main Frame & Framer Covers



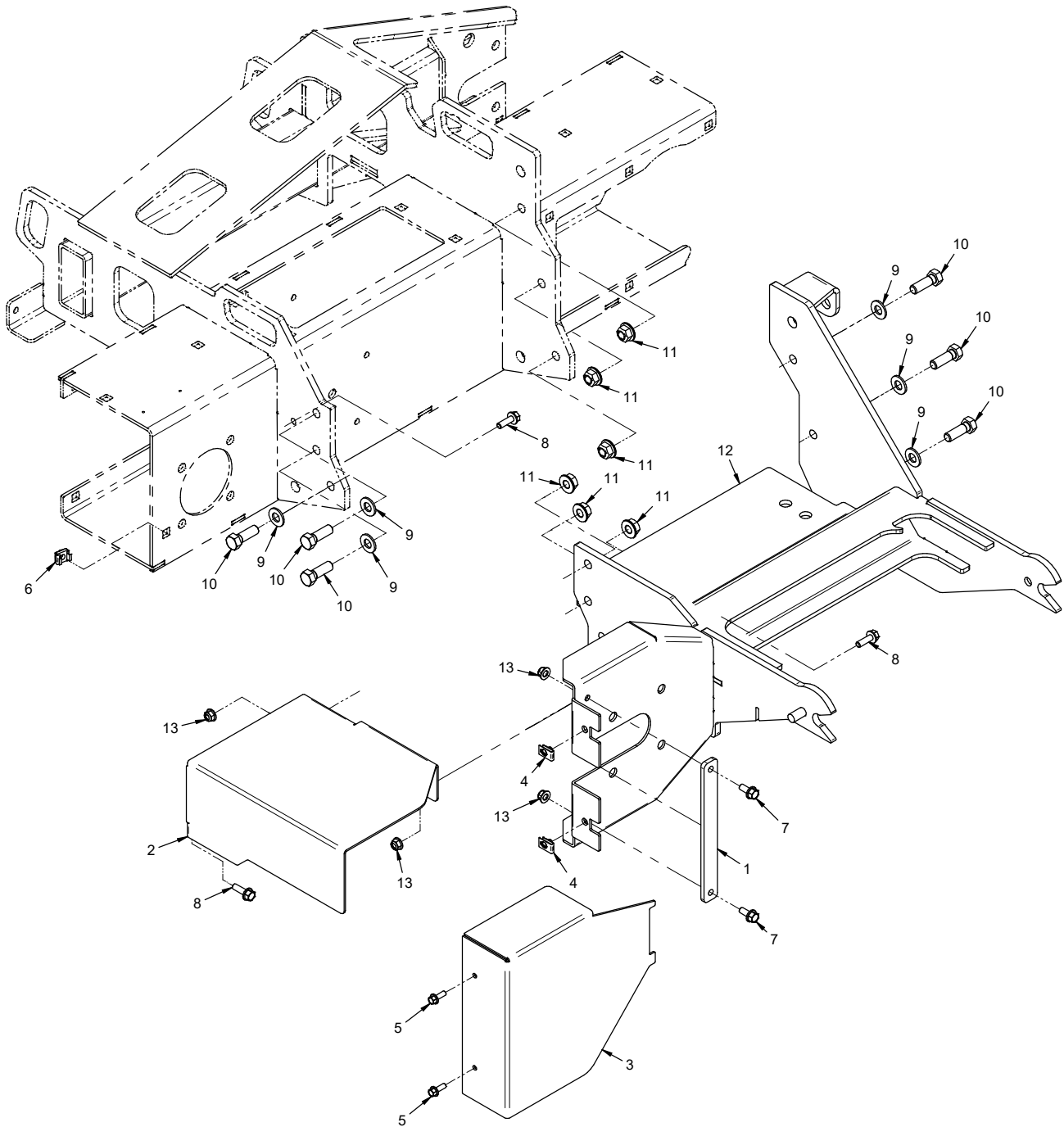
PARTS

Main Frame & Frame Covers

REF.	PART NO.	DESCRIPTION	QTY.
1	KC-1101	Stand, Storage (Serial # 01001-01623)	1
2	KC-1213	Cover, Rotor Drive	1
3	KC-1227	Cover, Drive Pulley Front	1
4	KC-1216	Cover, Drive Belt	1
5	KC-1081	Plate, End (Serial # 01001-01623)	1
6	99.E0149	Nut, Cage 5/16-18 (.177 - .197")	21
7	99.SF0506-1	Bolt, SMF 5/16-18 USS x 3/4	14
8	99.E0082	Nut, Locking Flange 3/8-16	4
9	99.SF0608-1	Bolt, SMF 3/8-16 x 1 (Serial # 01001-01623)	3
10	99.SF0610-1	Bolt, SMF 3/8-16 USS x 1-1/4 (Serial # 01001-01623)	1
11	03.0006	Pin, Ball 3/8 X 1" (Serial # 01001-01623)	1
12	KC-6012	Frame, Main	1
13	95.06	Washer, Flat 3/8 SAE (Serial # 01001-01623)	2
14	64.0602	Bushing, 3/8 x 5/8 x .265 (Serial # 01001-01623)	1
20	62.1072	Stand, Jack KC220 (Serial # 01623-)	1
21	03.0015	Pin, Safety Snap 3/8 X 3" (Serial # 01623-)	1
22	KC-1238	Stand, Post (Serial # 01623-)	1
23	99.SF0608-1	Bolt, SMF 3/8-16 x 1 (Serial # 01623-)	1

PARTS

ILLUSTRATED DRAWING Frame Hitch & Hitch Covers



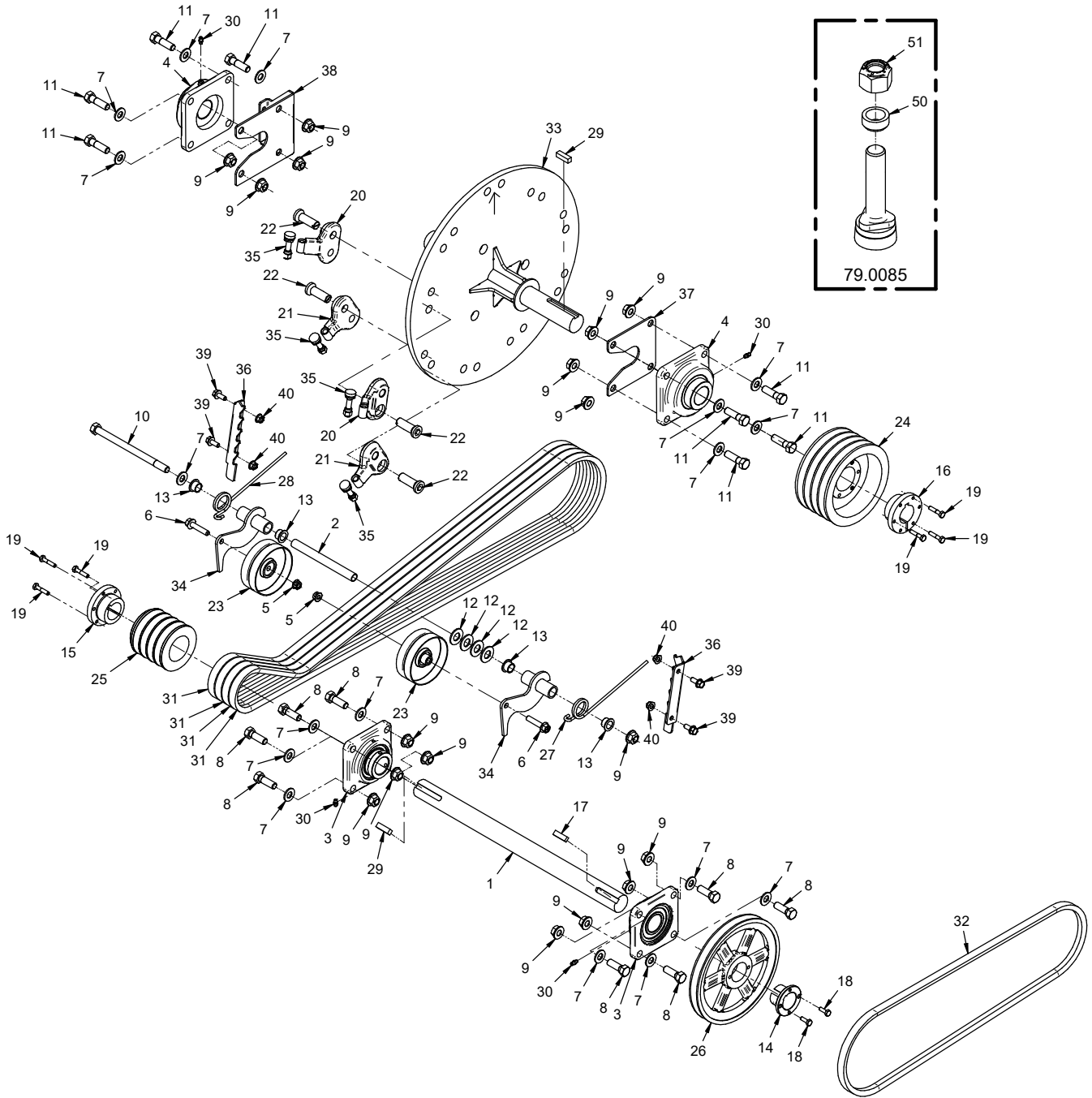
PARTS

Frame Hitch & Hitch Covers

REF.	PART NO.	DESCRIPTION	QTY.
1	KC-1237	Plate, Bearing Mt Brace	1
2	KC-1080	Cover, Drive Shaft	1
3	KC-1043	Cover, Pulley	1
4	99.E0046	Nut, "U" 1/4-20 Extruded	2
5	99.SF0406-1	Bolt, SMF 1/4-20 X 3/4	2
6	99.E0149	Nut, Cage 5/16-18 (.177 - .197")	1
7	99.SF0506-1	Bolt, SMF 5/16-18 USS x 3/4	2
8	99.SF0508-1	Bolt, SMF 5/16-18 x 1	3
9	95.08	Washer, Flat 1/2 SAE	6
10	90.0812	Bolt, 1/2-13 USS x 1-1/2	6
11	99.E0103	Nut, Locking Flange 1/2-13	6
12	KC-6010	Frame, Hitch	1
13	99.E0102	Nut, Locking Flange 5/16-18	4

PARTS

ILLUSTRATED DRAWING Drive Shaft & Pulleys



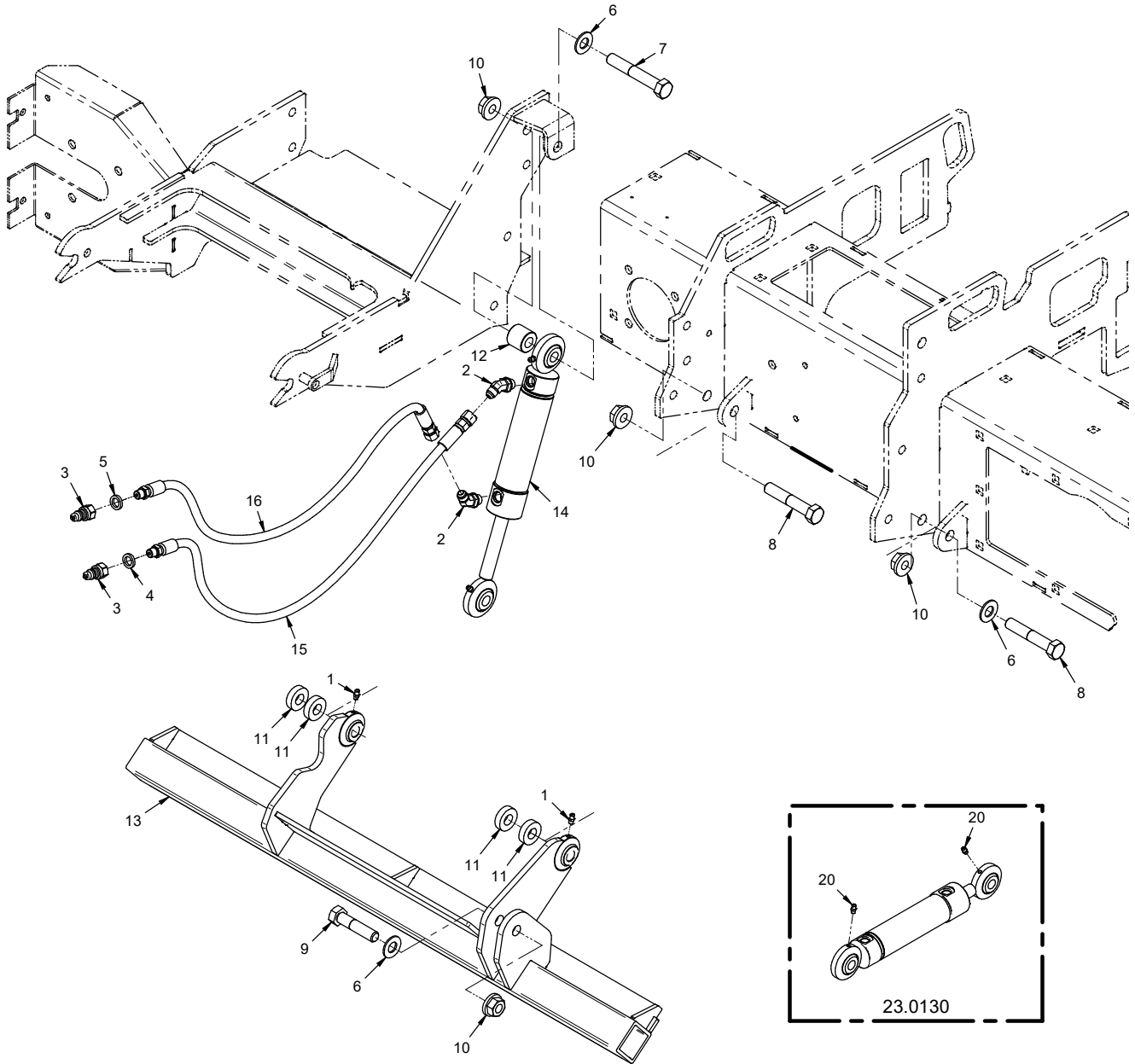
PARTS

Drive Shaft & Pulleys

REF.	PART NO.	DESCRIPTION	QTY.
1	KC-1037	.Shaft, Drive	1
2	KC-1091	.Tube, Idler Pivot	1
3	55.FB22023	.Bearing, Flange Block 1-7/16"	2
4	55.FB22024	.Bearing, Flange Block 1-1/2"	2
5	99.E0082	.Nut, Locking Flange 3/8-16	2
6	99.SF0614-1	.Bolt, SMF 3/8-16 X 1-3/4	2
7	95.08	.Washer, Flat 1/2 SAE	17
8	90.0812	.Bolt, 1/2-13 USS x 1-1/2	8
9	99.E0103	.Nut, Locking Flange 1/2-13	17
10	90.0860	.Bolt, 1/2-13 USS x 7-1/2	1
11	90.0814	.Bolt, 1/2-13 USS x 1-3/4	8
12	95.10	.Washer, Flat 5/8 SAE	4
13	85.B0088	.Bushing, 5/8 ID X 3/4 OD X 1/2	4
14	83.H23	.Bushing, 1 7/16" H.	1
15	83.SDS23	.Bushing, 1-7/16" SDS	1
16	83.SDS24	.Bushing, 1-1/2" SDS	1
17	85.K060410	.Key, 3/8 x 1/4 x 1-1/4	1
18	90.0406	.Bolt, 1/4-20 USS x 3/4"	2
19	90.0410	.Bolt, 1/4-20 USS x 1/1-4"	6
20	79.0086	.Mount, Tooth Angled	12
21	79.0087	.Mount, Tooth Straight	6
22	99.K0114	.Bolt, Cutting Tooth Mount	18
23	83.0042	.Pulley, Dbl Idler Flat 4 X 3/8	2
24	83.4B64SD	.Pulley, 4 B 6.4" 4 Groove	1
25	83.4B34SD	.Pulley, 4 B 3.4" 4 Groove	1
26	83.BK90H	.Pulley, 9" H-Bush	1
27	41.0083	.Spring, Torsion Rh 1-3/16 Idx7	1
28	41.0084	.Spring, Torsion Lh 1-3/16 Idx7	1
29	85.K0610	.Key, 3/8 X 1-1/4	2
30	29.GF0001	.Grease Ftg, 1/4 SAE ST	4
31	81.B084	.Belt, B84	4
32	81.B057	.Belt, B57	1
33	KC-6007	.Rotor, Stump Grinder	1
34	KC-6003	.Arm, Idler Pulley	2
35	79.0085	.Tooth, Deep Dish w/Nut	18
36	KC-1030	.Bracket, Belt Spring Tensioner	2
37	KC-1229	.Cover, Rotor Bearing	1
38	KC-1228	.Bracket, Main Cover Mount	1
39	99.SF0506-1	.Bolt, SMF 5/16-18 USS x 3/4	4
40	99.E0102	.Nut, Locking Flange 5/16-18	4
50	64.1641	.Spacer, Cutting Tooth	1
51	99.A06N	.Locknut, Nylon 3/8-16	1

PARTS

ILLUSTRATED DRAWING Hydraulics



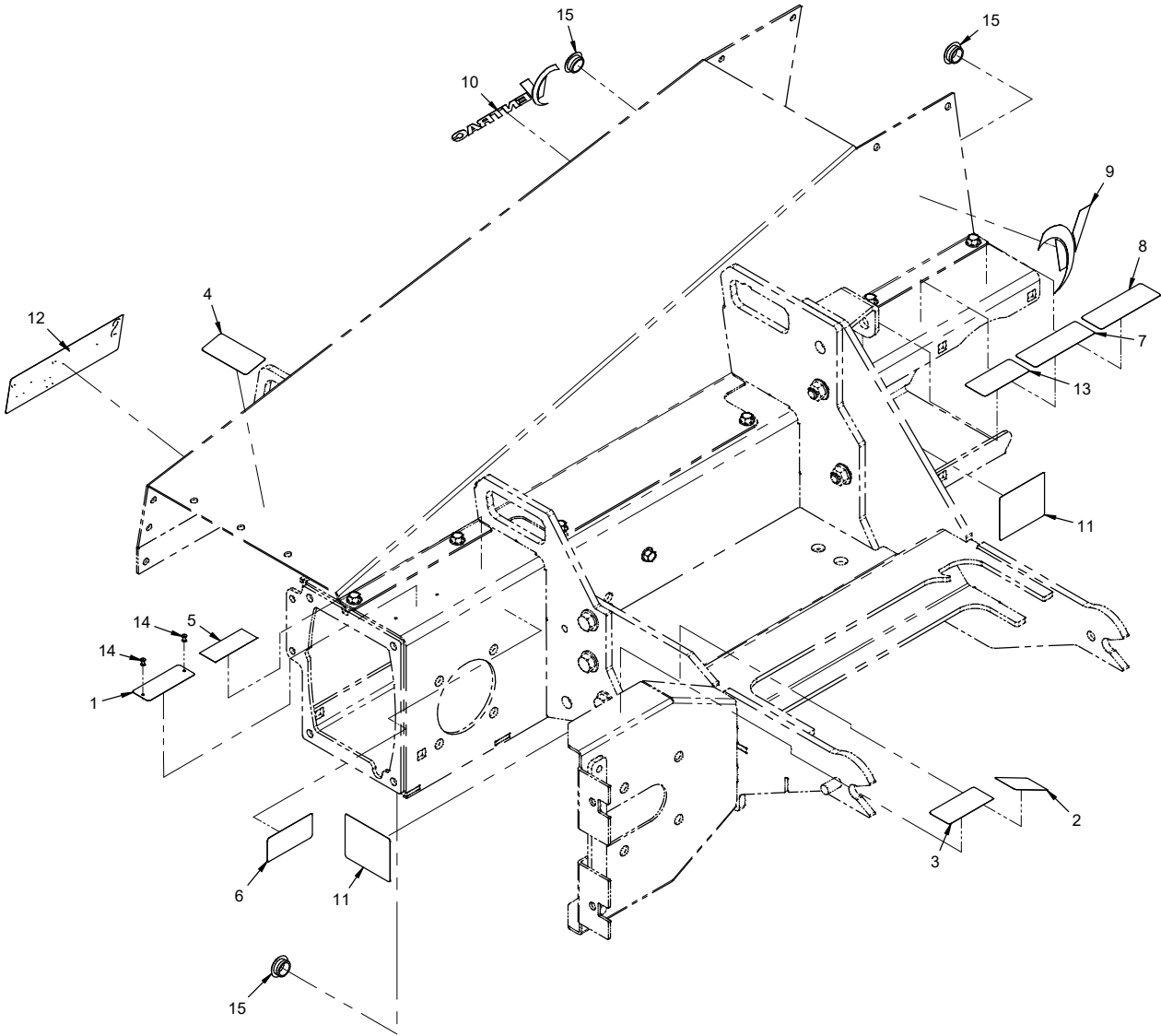
PARTS

Hydraulics

REF.	PART NO.	DESCRIPTION	QTY.
1	29.GF0001	Grease Ftg, 1/4 SAE ST	2
2	25.6802-06-06	Fitting, 45 ME 3/8 x 3/8	2
3	23.0104	Coupler, Quick Male 1/4	2
4	05.0117	Washer, .544 ID x .817 x .14 Yel	1
5	05.0116	Washer, .544 ID x .817 x .14 Red	1
6	95.10	Washer, Flat 5/8 SAE	3
7	90.1032	Bolt, 5/8-11 USS x 4	1
8	90.1028	Bolt, 5/8-11 USS x 3-1/2	2
9	90.1022	Bolt, 5/8-11 USS x 2-3/4	1
10	99.E0094	Locknut, 5/8-11 Flanged Stover	4
11	KC-1214	Spacer, .65 ID x 1-3/8 OD x 3/8L	4
12	KC-1035	Spacer, 5/8 ID x 1-1/4 OD x 1-1/8L	1
13	KC-6014	Frame, Blade/Stand	1
14	23.0130	Cylinder, 1-1/2" X 5"	1
15	20.0169	Hose, 1/4x38.00 SAE 100R17 AR	1
16	20.0169	Hose, 1/4x38.00 SAE 100R17 AR	1
20	29.GF0001	Grease Ftg, 1/4 SAE ST	2

PARTS

ILLUSTRATED DRAWING Decals



PARTS

Decals

REF.	PART NO.	DESCRIPTION	QTY.
1	N/A	Plate, Ventrac Serial Number	1
2	00.0631	Decal, Finger/Hand Entanglement	1
3	00.0632	Decal, Moving Parts Hazard	1
4	00.0674	Decal, Thrown Objects	1
5	00.0100	Decal, Built in the USA	1
6	00.0619	Decal, Read Operator's Manual	1
7	00.0620	Decal, Pinching or Crushing Hazard	1
8	00.0703	Decal, Cutting/Dismemberment Hazard	1
9	00.0681	Decal, V Black	1
10	00.0672	Decal, Ventrac Black	1
11	00.0625	Decal, Shield Missing	2
12	00.0702	Decal, KC220	1
13	00.0621	Decal, High Pressure Fluid Hazard	1
14	04.0029	Rivet, Pop 1/8" X 1/4" SS	2
15	05.0202	Plug, 13/16 Hole, Push In Black LDPE	3