

Parts Manual

# KC220

Stump Grinder



Revised 01/03/24  
09.20066 Rev. 02



500 Venture Drive  
Orrville Oh 44667  
www.ventrac.com

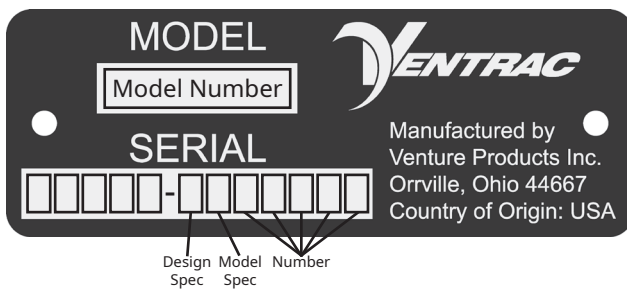
View all manuals



Visit [ventrac.com/manuals](http://ventrac.com/manuals) for the latest version of this parts manual.

A downloadable operator's manual is also available.

### Serial Number Description



### Notes

- If any component requires replacement, use only original Ventrac replacement parts.
- When ordering new components, be sure to order all required safety decals. All current safety decals must be affixed to the replacement components prior to installation of the component.

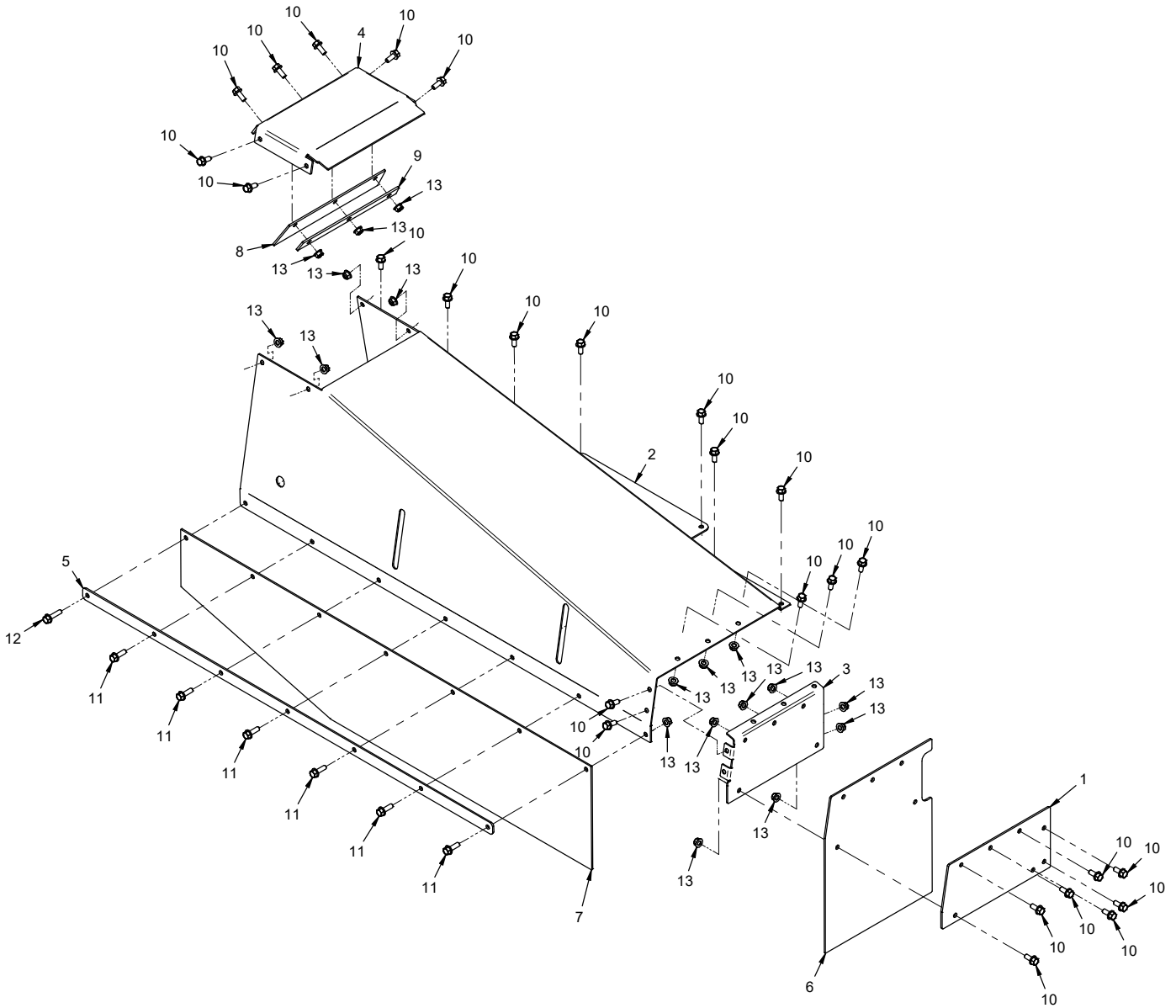
# TABLE OF CONTENTS

---

<b>PARTS</b>	<b>PAGE 4</b>
Main Cover .....	4
Main Frame & Frame Covers.....	6
Frame Hitch & Hitch Covers .....	8
Drive Shaft & Pulleys.....	10
Hydraulics.....	12
Decals.....	14

# PARTS

## ILLUSTRATED DRAWING Main Cover



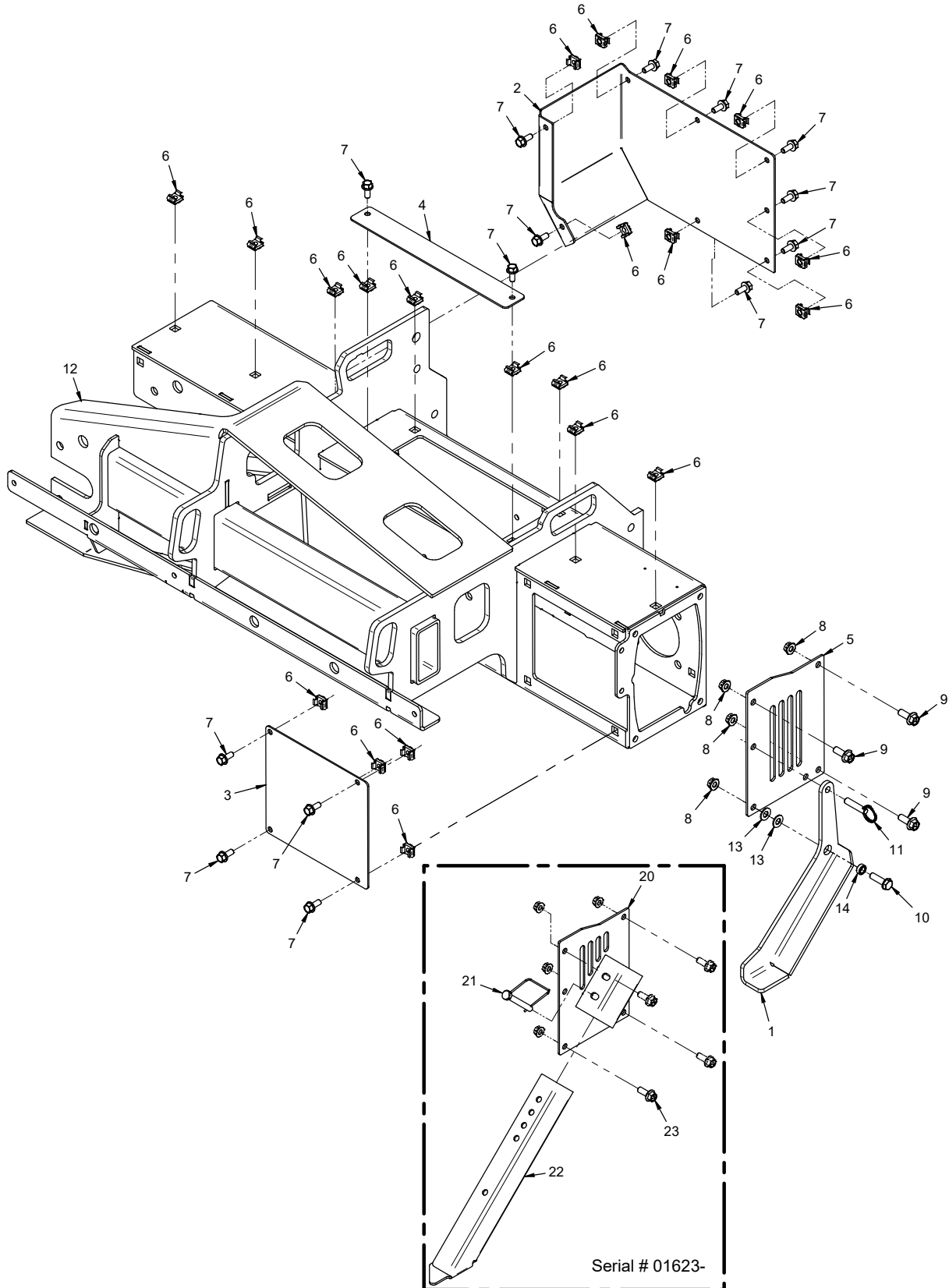
# PARTS

## Main Cover

REF.	PART NO.	DESCRIPTION	QTY.
1	KC-1081	.Plate, End	1
2	KC-1205	.Cover, Main	1
3	KC-1209	.Cover, Main End	1
4	KC-1220	.Cover, Main Top	1
5	KC-1022	.Clamp, Front Belting	1
6	KC-1027	.Belting, End	1
7	KC-1021	.Belting, Front	1
8	KC-1092	.Belting, Top Cover	1
9	KC-1093	.Clamp, Top Cover Belting	1
10	99.SF0506-1	.Bolt, SMF 5/16-18 USS x 3/4	26
11	99.SF0508-1	.Bolt, SMF 5/16-18 x 1	6
12	99.SF0510-1	.Bolt, SMF 5/16-18 USS X 1-1/4	1
13	99.E0102	.Nut, Locking Flange 5/16-18	18

# PARTS

## ILLUSTRATED DRAWING Main Frame & Framer Covers



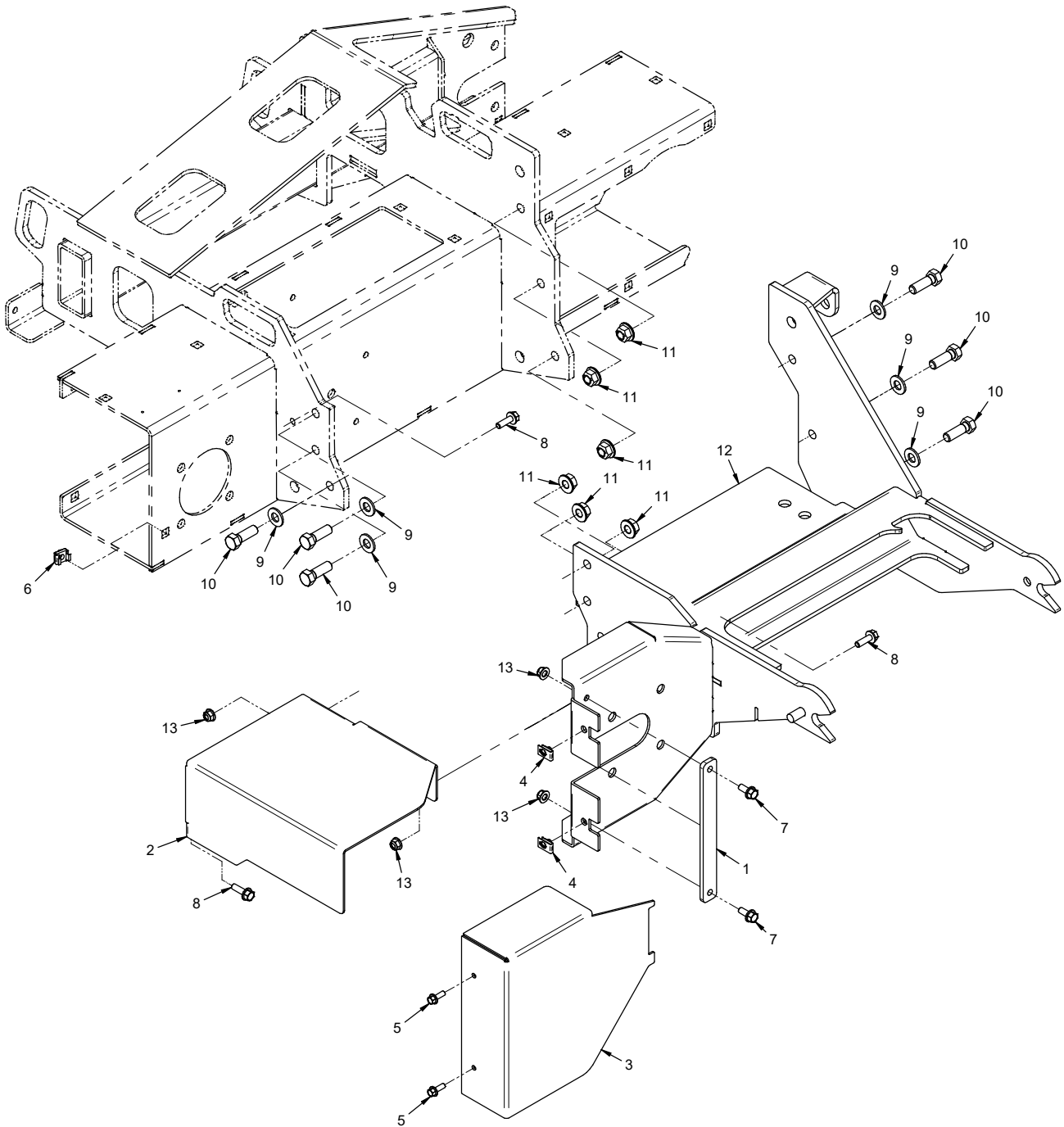
# PARTS

## Main Frame & Frame Covers

REF.	PART NO.	DESCRIPTION	QTY.
1	KC-1101	Stand, Storage (Serial # 01001-01623)	1
2	KC-1213	Cover, Rotor Drive	1
3	KC-1227	Cover, Drive Pulley Front	1
4	KC-1216	Cover, Drive Belt	1
5	KC-1081	Plate, End (Serial # 01001-01623)	1
6	99.E0149	Nut, Cage 5/16-18 (.177 - .197")	21
7	99.SF0506-1	Bolt, SMF 5/16-18 USS x 3/4	14
8	99.E0082	Nut, Locking Flange 3/8-16	4
9	99.SF0608-1	Bolt, SMF 3/8-16 x 1 (Serial # 01001-01623)	3
10	99.SF0610-1	Bolt, SMF 3/8-16 USS x 1-1/4 (Serial # 01001-01623)	1
11	03.0006	Pin, Ball 3/8 X 1" (Serial # 01001-01623)	1
12	KC-6012	Frame, Main	1
13	95.06	Washer, Flat 3/8 SAE (Serial # 01001-01623)	2
14	64.0602	Bushing, 3/8 x 5/8 x .265 (Serial # 01001-01623)	1
20	62.1072	Stand, Jack KC220 (Serial # 01623-)	1
21	03.0015	Pin, Safety Snap 3/8 X 3" (Serial # 01623-)	1
22	KC-1238	Stand, Post (Serial # 01623-)	1
23	99.SF0608-1	Bolt, SMF 3/8-16 x 1 (Serial # 01623-)	1

# PARTS

## ILLUSTRATED DRAWING Frame Hitch & Hitch Covers





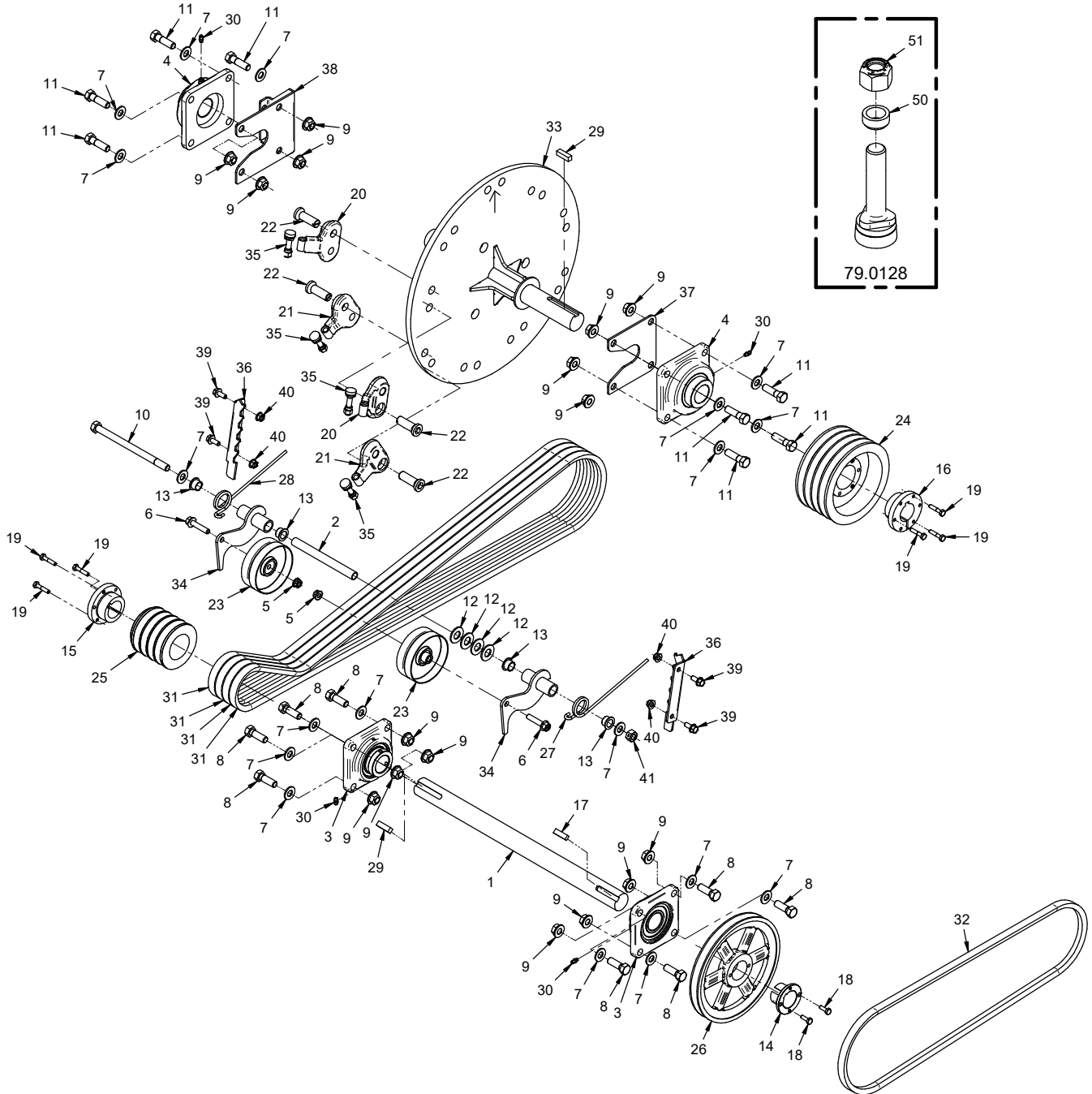
# PARTS

## Frame Hitch & Hitch Covers

REF.	PART NO.	DESCRIPTION	QTY.
1	KC-1237	Plate, Bearing Mt Brace	1
2	KC-1080	Cover, Drive Shaft	1
3	KC-1043	Cover, Pulley	1
4	99.E0046	Nut, "U" 1/4-20 Extruded	2
5	99.SF0406-1	Bolt, SMF 1/4-20 X 3/4	2
6	99.E0149	Nut, Cage 5/16-18 (.177 - .197")	1
7	99.SF0506-1	Bolt, SMF 5/16-18 USS x 3/4	2
8	99.SF0508-1	Bolt, SMF 5/16-18 x 1	3
9	95.08	Washer, Flat 1/2 SAE	6
10	90.0812	Bolt, 1/2-13 USS x 1-1/2	6
11	99.E0103	Nut, Locking Flange 1/2-13	6
12	KC-6010	Frame, Hitch	1
13	99.E0102	Nut, Locking Flange 5/16-18	4

# PARTS

## ILLUSTRATED DRAWING Drive Shaft & Pulleys



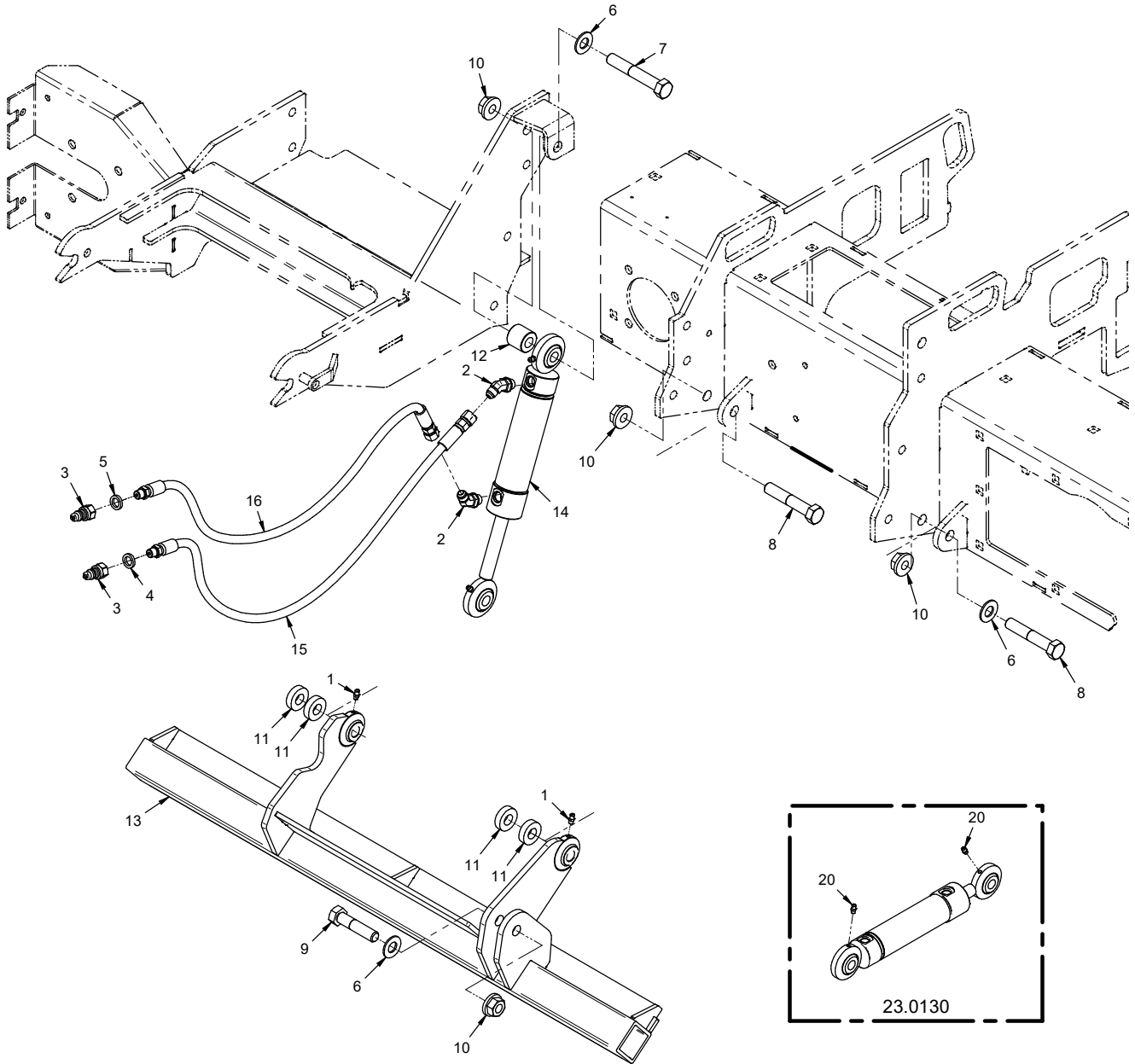
# PARTS

## Drive Shaft & Pulleys

REF.	PART NO.	DESCRIPTION	QTY.
1	KC-1037	.Shaft, Drive	1
2	KC-1091	.Tube, Idler Pivot	1
3	55.FB22023	.Bearing, Flange Block 1-7/16"	2
4	55.FB22024	.Bearing, Flange Block 1-1/2"	2
5	99.E0082	.Nut, Locking Flange 3/8-16	2
6	99.SF0614-1	.Bolt, SMF 3/8-16 X 1-3/4	2
7	95.08	.Washer, Flat 1/2 SAE (Serial # 01001-01742)	17
7	95.08	.Washer, Flat 1/2 SAE (Serial # 01743-)	18
8	90.0812	.Bolt, 1/2-13 USS x 1-1/2	8
9	99.E0103	.Nut, Locking Flange 1/2-13	16
10	90.0860	.Bolt, 1/2-13 USS x 7-1/2	1
11	90.0814	.Bolt, 1/2-13 USS x 1-3/4	8
12	95.10	.Washer, Flat 5/8 SAE	4
13	85.B0088	.Bushing, 5/8 ID X 3/4 OD X 1/2	4
14	83.H23	.Bushing, 1 7/16" H.	1
15	83.SDS23	.Bushing, 1-7/16" SDS	1
16	83.SDS24	.Bushing, 1-1/2" SDS	1
17	85.K060410	.Key, 3/8 x 1/4 x 1-1/4.	1
18	90.0406	.Bolt, 1/4-20 USS x 3/4"	2
19	90.0410	.Bolt, 1/4-20 USS x 1/1-4"	6
20	79.0086	.Mount, Tooth Angled	12
21	79.0087	.Mount, Tooth Straight	6
22	99.K0114	.Bolt, Cutting Tooth Mount	18
23	83.0042	.Pulley, Dbl Idler Flat 4 X 3/8	2
24	83.4B64SD	.Pulley, 4 B 6.4" 4 Groove	1
25	83.4B34SD	.Pulley, 4 B 3.4" 4 Groove	1
26	83.BK90H	.Pulley, 9" H-Bush	1
27	41.0083	.Spring, Torsion Rh 1-3/16 Idx7	1
28	41.0084	.Spring, Torsion Lh 1-3/16 Idx7	1
29	85.K0610	.Key, 3/8 X 1-1/4	2
30	29.GF0001	.Grease Ftg, 1/4 SAE ST	4
31	81.B084	.Belt, B84	4
32	81.B057	.Belt, B57R	1
33	KC-6007	.Rotor, Stump Grinder	1
34	KC-6003	.Arm, Idler Pulley	2
35	79.0128	.Tooth, Wear Sharp W/Nut and Collar	18
36	KC-1030	.Plate, Belt Spring Tensioner	2
37	KC-1229	.Cover, Rotor Bearing	1
38	KC-1228	.Bracket, Main Cover Mount	1
39	99.SF0506-1	.Bolt, SMF 5/16-18 USS x 3/4	4
40	99.E0102	.Nut, Locking Flange 5/16-18	4
41	99.E0103	.Nut, Locking Flange 1/2-13 (Serial # 01001-01742)	1
41	99.A08C	.Locknut, Center 1/2-13 (Serial # 01743-)	1
50	64.1641	.Spacer, Cutting Tooth	1
51	99.A06N	.Locknut, Nylon 3/8-16	1

# PARTS

## ILLUSTRATED DRAWING Hydraulics



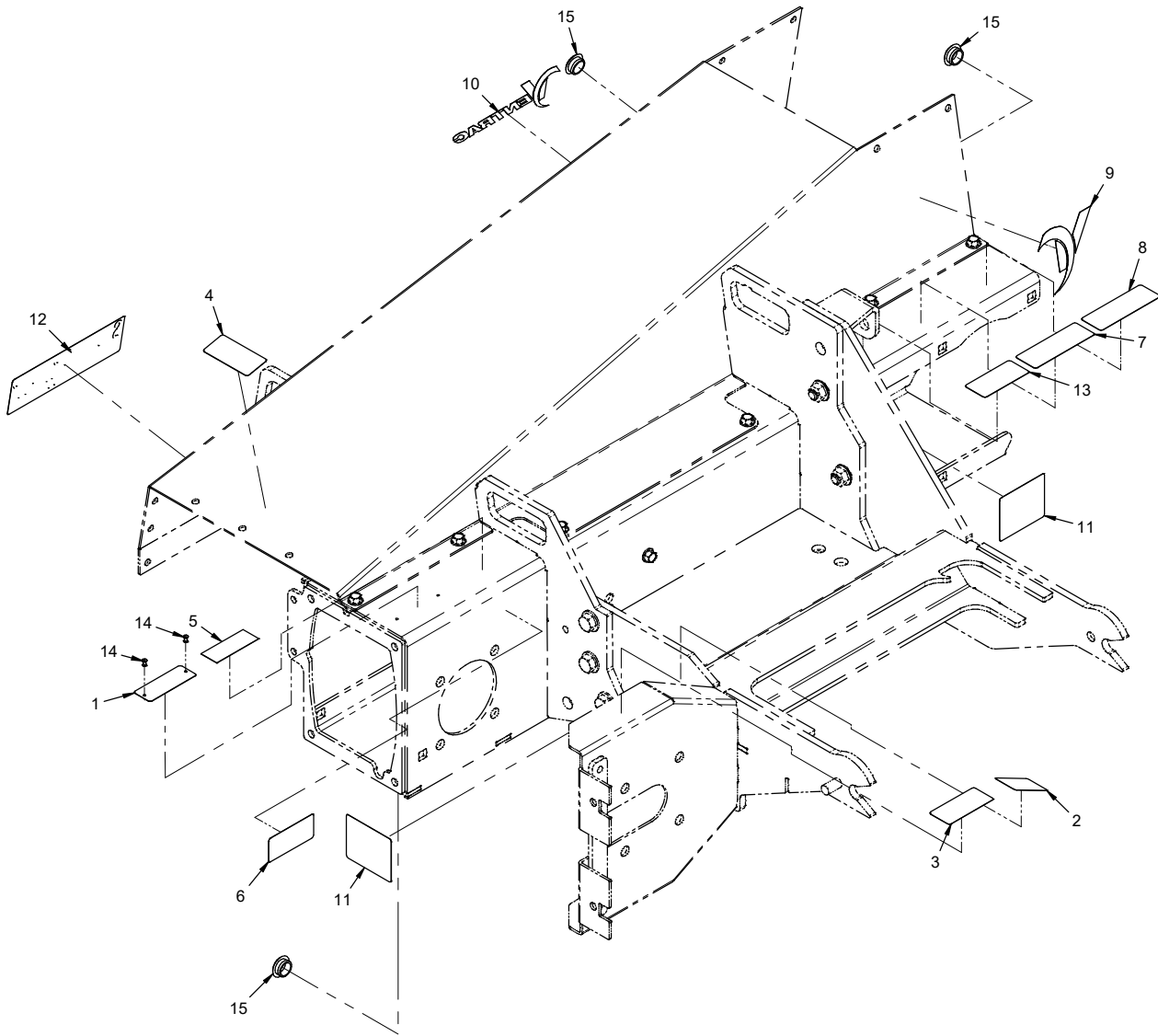
# PARTS

## Hydraulics

REF.	PART NO.	DESCRIPTION	QTY.
1	29.GF0001	Grease Ftg, 1/4 SAE ST	2
2	25.6802-06-06	Fitting, 45 ME 3/8 x 3/8	2
3	23.0104	Coupler, Quick Male 1/4	2
4	05.0117	Washer, .544 ID x .817 x .14 Yel	1
5	05.0116	Washer, .544 ID x .817 x .14 Red	1
6	95.10	Washer, Flat 5/8 SAE	3
7	90.1032	Bolt, 5/8-11 USS x 4	1
8	90.1028	Bolt, 5/8-11 USS x 3-1/2	2
9	90.1022	Bolt, 5/8-11 USS x 2-3/4	1
10	99.E0094	Locknut, 5/8-11 Flanged Stover	4
11	KC-1214	Spacer, .65 ID x 1-3/8 OD x 3/8L	4
12	KC-1035	Spacer, 5/8 ID x 1-1/4 OD x 1-1/8L	1
13	KC-6014	Frame, Blade/Stand	1
14	23.0130	Cylinder, 1-1/2" X 5"	1
15	20.0169	Hose, 1/4x38.00 SAE 100R17 AR	1
16	20.0169	Hose, 1/4x38.00 SAE 100R17 AR	1
20	29.GF0001	Grease Ftg, 1/4 SAE ST	2

# PARTS

## ILLUSTRATED DRAWING Decals



# PARTS

## Decals

REF.	PART NO.	DESCRIPTION	QTY.
1	N/A	Plate, Ventrac Serial Number	1
2	00.0631	Decal, Finger/Hand Entanglement	1
3	00.0632	Decal, Moving Parts Hazard	1
4	00.0674	Decal, Thrown Objects	1
5	00.0100	Decal, Built in the USA	1
6	00.0619	Decal, Read Operator's Manual	1
7	00.0620	Decal, Pinching or Crushing Hazard	1
8	00.0703	Decal, Cutting/Dismemberment Hazard	1
9	00.0681	Decal, V Black	1
10	00.0672	Decal, Ventrac Black	1
11	00.0625	Decal, Shield Missing	2
12	00.0702	Decal, KC220	1
13	00.0621	Decal, High Pressure Fluid Hazard	1
14	04.0029	Rivet, Pop 1/8" X 1/4" SS	2
15	05.0202	Plug, 13/16 Hole, Push In Black LDPE	3