

EC240

Sod Cutter



TABLE OF CONTENTS

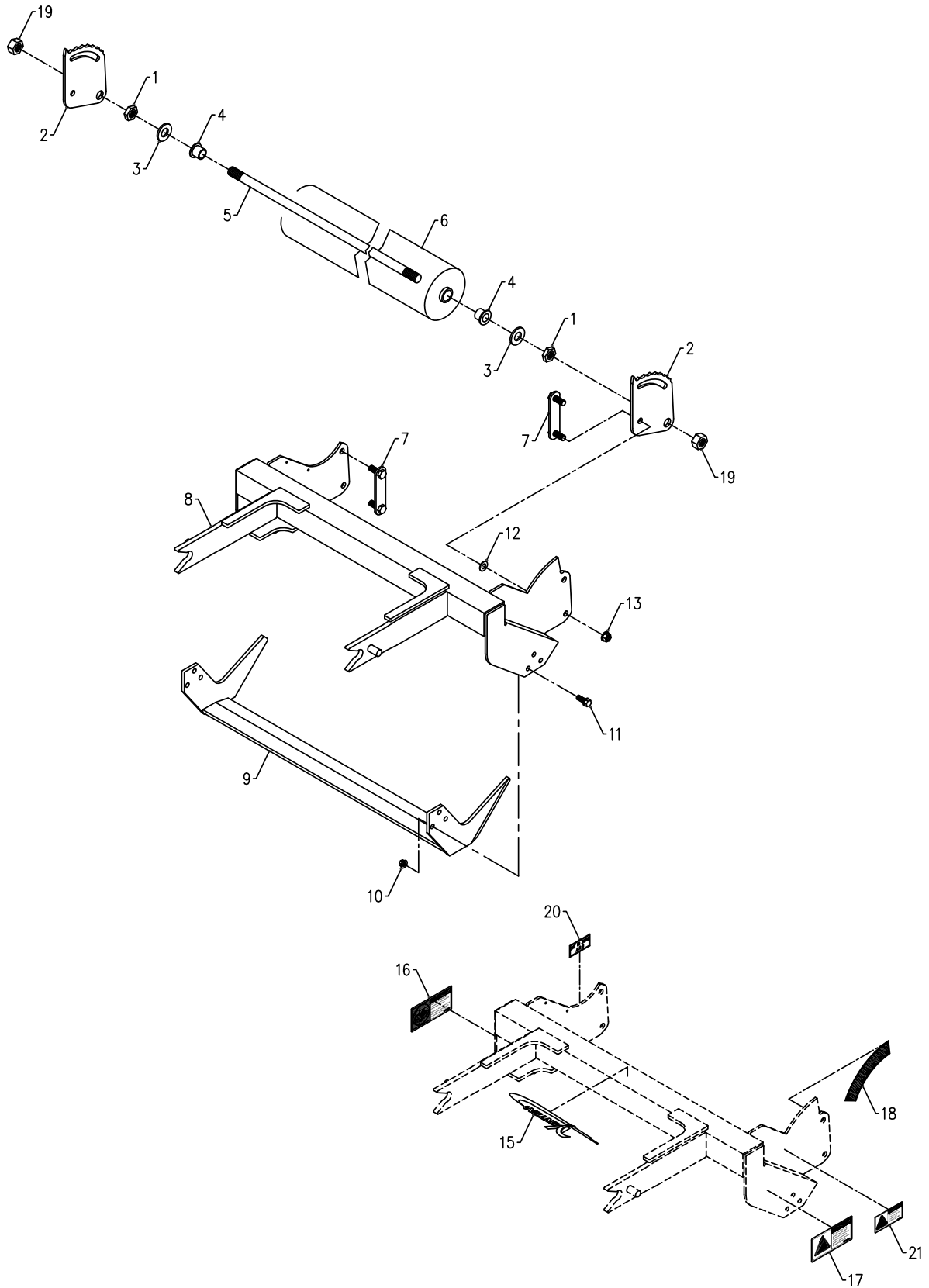
PARTS

PAGE 4

Main Frame, Blade, and Roller..... 4

PARTS

ILLUSTRATED DRAWING Main Frame, Blade, and Roller



PARTS

Main Frame, Blade, and Roller

REF.	PART NO.	DESCRIPTION	QTY.
1	99.E0076	Nut, Jam 5/8-11 USS	2
2	64.1189	Bracket, Roller Mount	2
3	95.10	Washer, Flat 5/8 SAE	2
4	85.B0065	Bushing, 5/8ID x 13/16OD x 5/8L	2
5	42.0473	Shaft, Roller Mount	1
6	80.0356	Roller, Sod Cutter	1
7	64.1190	Clamp, Depth Adjustment	2
8	62.1055	Frame, Main	1
9	79.0073	Blade, 24" Sod Blade	1
10	99.SF05	Nut, SRF 5/16-18 USS	6
11	99.SF0506	Bolt, SRF 5/16-18 USS x 3/4	6
12	94.06	Washer, Flat 3/8 USS	4
13	99.SF06	Nut, SRF 3/8-16 USS	4
15	00.0212	Decal, Ventrac Orbital	1
16	00.0217	Decal, Warning Read Owners Man (Serial # 1001-1922)	1
16	00.0619	Decal, Read Operator's Manual (Serial # 1923-)	1
17	00.0220	Decal, General Safety (Serial # 1001-1922)	1
17	00.0632	Decal, Moving Parts Hazard (Serial # 1923-)	1
18	00.0226	Decal, Height Adjustment	1
19	92.10	Nut, 5/8-11 USS	2
20	00.0100	Decal, Built in the USA	1
21	00.0218	Decal, Warning - Pinch Point (Serial # 1001-1922)	1
21	00.0364	Decal, Warning Pinch Point (Serial # 1923-)	1