

Parts Manual

KA 160

Power Blower





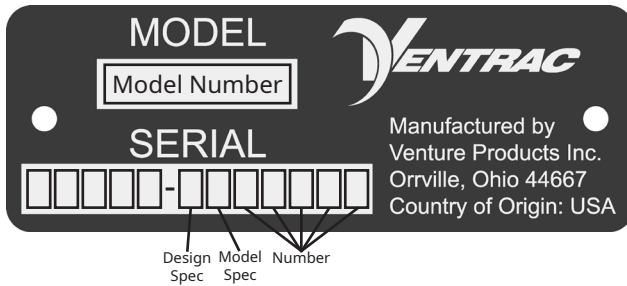
500 Venture Drive
Orrville Oh 44667
www.ventrac.com

[View all manuals](#)



Visit ventrac.com/manuals for the latest version of this parts manual. A downloadable operator's manual is also available.

Serial Number Description



Serial Plate Location



Notes

- If any component requires replacement, use only original Ventrac replacement parts.
- When ordering new components, be sure to order all required safety decals. All current safety decals must be affixed to the replacement components prior to installation of the component.

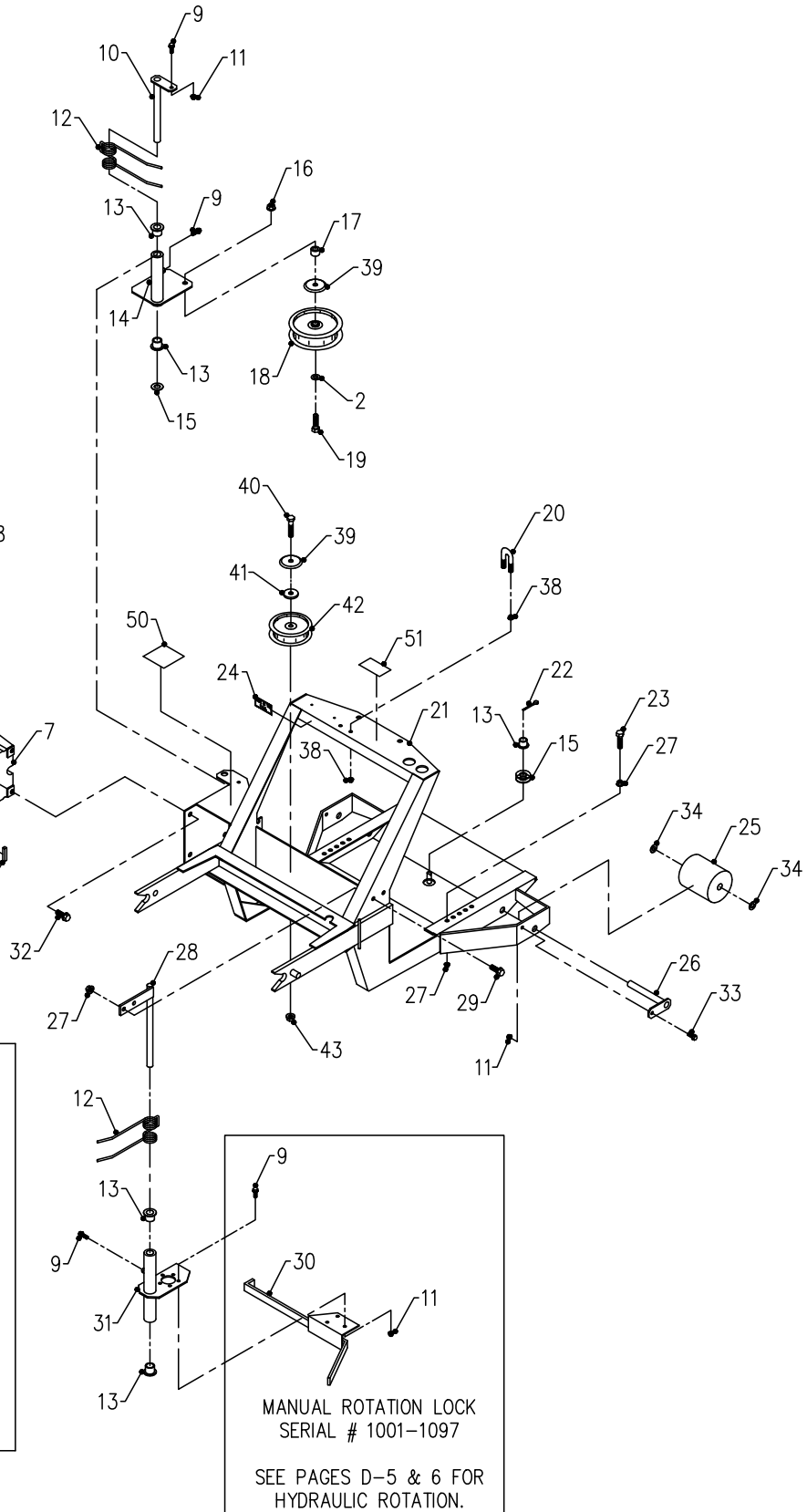
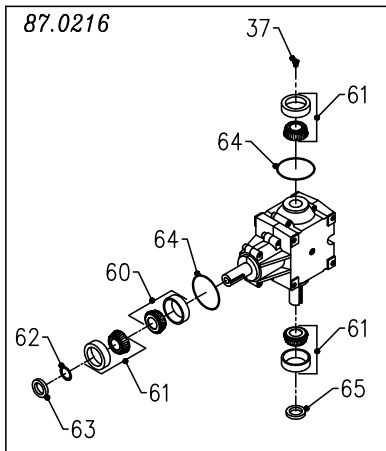
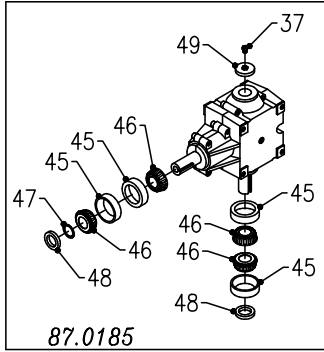
TABLE OF CONTENTS

PARTS	PAGE 4
Main Frame	4
Fan Housing.....	6
Hydraulic Rotational Control	8

PARTS

ILLUSTRATED DRAWING

Main Frame



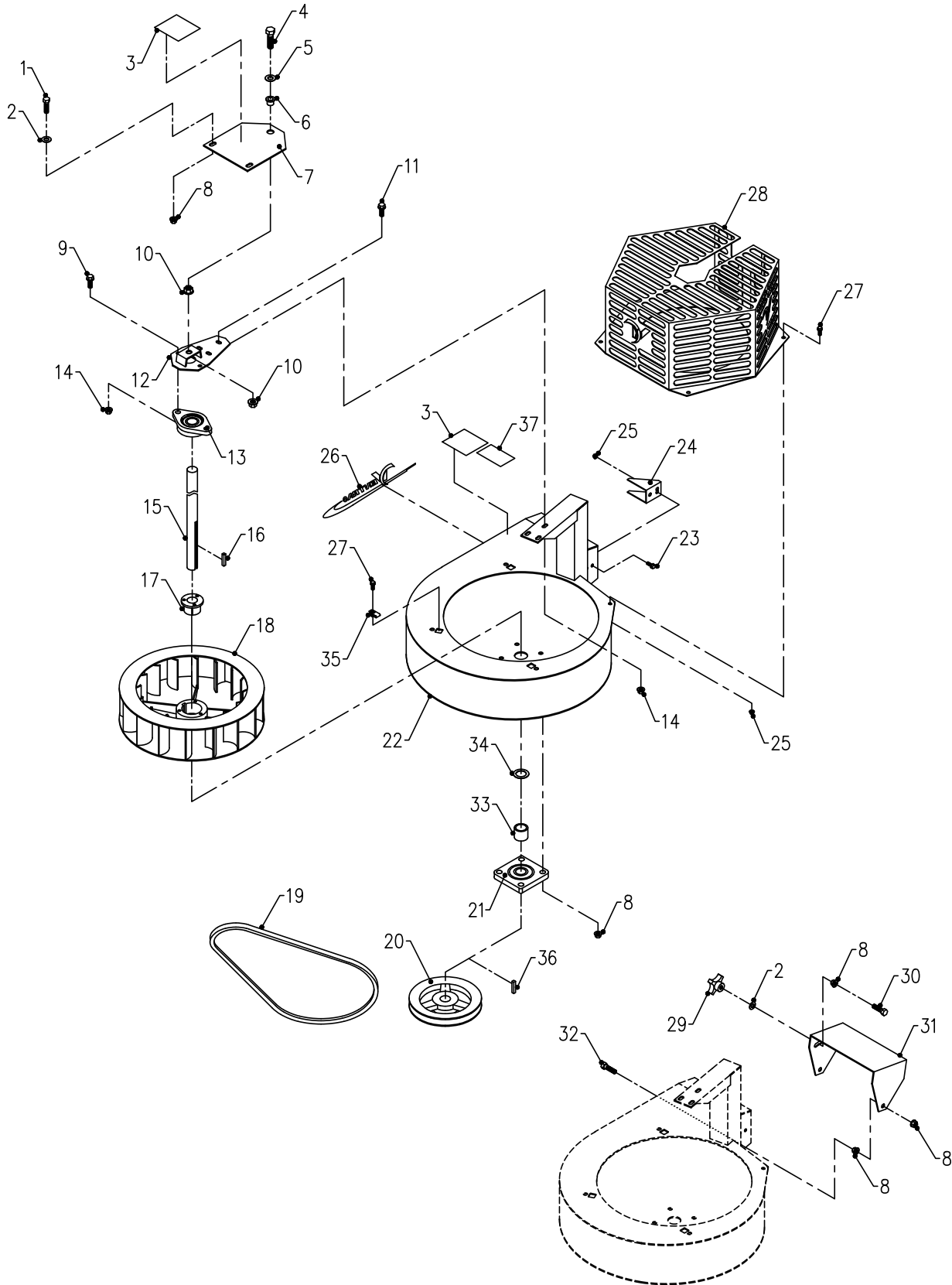
PARTS

Main Frame

REF.	PART NO.	DESCRIPTION	QTY.
1	90.0606	.BOLT, 3/8-16 USS X 3/4	4
2	95.06	.WASHER, FLAT 3/8 SAE	5
3	60.0769	.SHIELD, BELT KA160	1
4	83.BK6016	.PULLEY, 6" 1"BORE	2
5	81.B052	.BELT, B52	1
6	85.K0408	.KEY, 1/4 X 1	2
7	87.0185	.GEARBOX, 1" SHAFT 1:1 CW/CCW (SERIAL # 1001-1359)	1
7	87.0216	.GEARBOX, 1" SHAFT 1:1R CW/CCW (SERIAL # 1360-1519)	1
7	87.0185	.GEARBOX, 1" SHAFT 1:1 CW/CCW (SERIAL # 1520-)	1
8	00.0101	.DECAL, HAZARD-MOVING PART (SERIAL # 1001-3190)	1
9	99.SF0404	.BOLT, SF 1/4-20 X 1/2	6
10	40.0278	.SHAFT, PIVOT, BELT IDLER KA160	1
11	99.SF04	.NUT, SF 1/4-20 USS	6
12	41.0065	.SPRING, DOUBLE TORSION BLACK	2
13	85.B0027	.BUSHING, 1/2 ID X 5/8 OD X 5/8	5
14	40.0279	.IDLER ARM, BELT KA160	1
15	94.08	.WASHER, FLAT 1/2 USS	3
16	99.SF06	.NUT, SF 3/8-16 USS	1
17	64.0892	.SPACER, IDLER PULLEY KA160	1
18	83.0037	.PULLEY, IDLER FLAT 4" X 3/8	1
19	90.0616	.BOLT, 3/8-16 USS X 2	1
20	11.0040	.U-BOLT, 1/4-20 1-1/8" ID (SERIAL # 1001-1525)	1
20	11.0064	.U-BOLT, 3/8-16 PIPE SIZE 3/4" (SERIAL # 1526-)	1
21	62.0869	.FRAME, MAIN KA160	1
22	02.CP0408	.COTTER PIN, 1/8 X 1	1
23	90.0512	.BOLT, 5/16-18 USS X 1 1/2	2
24	00.0100	.DECAL, MADE IN USA	1
25	50.0047	.ROLLER, FRONT 3" DIA X 3 1/2"	2
26	40.0301	.SHAFT, ROLLER KA/LA	2
27	99.SF05	.NUT, SF 5/16-18 USS	6
28	64.0869	.ANCHOR SHAFT, ROTATOR MOTOR	1
29	99.SF0506	.BOLT, SF 5/16-18 USS X 3/4	2
30	40.0283	.LEVER, MANUAL ROTATE LOCK	1
31	64.0868	.MOUNT, ROTATOR MOTOR	1
32	99.SF0606	.BOLT, SF 3/8-16 USS X 3/4	4
33	99.SF0406	.BOLT, SF 1/4-20 X 3/4	2
34	95.10	.WASHER, FLAT 5/8 SAE	4
36	00.0217	.DECAL, WARNING READ OWNERS MAN (SERIAL # 1001-3190)	1
37	29.0090	.PIPE, BREATHER PLUG 1/8	1
38	99.SF04	.NUT, SF 1/4-20 USS (SERIAL # 1001-1525)	4
38	99.SF06	.NUT, SF 3/8-16 USS (SERIAL # 1526-)	4
39	60.1056	.COVER, PULLEY (SERIAL # 1718-)	2
40	90.0614	.BOLT, 3/8-16 USS X 1 3/4 (SERIAL # 1718-)	1
41	99.G0014	.WASHER, 3/8 USS FW .165 THK (SERIAL # 1718-2116)	1
42	83.0013	.PULLEY, IDLER FLAT 3/8 X 3 1/2 (SERIAL # 1718-)	1
43	99.SF06	.NUT, SRF 3/8-16 USS (SERIAL # 1718-)	1
45	55.0076	.BEARING, CUP 1.980	4
46	55.0075	.BEARING, CONE 1.000	4
47	04.0026	.RETAINING RING, EXT 1.000 SHFT	1
48	89.0075	.SEAL, OIL	2
49	89.0080	.ASSY, END CAP PRESSURE RELIEF	1
50	00.0626	.DECAL, ENTANGLEMENT HAZARD (SERIAL # 3191-)	1
51	00.0619	.DECAL, READ OPERATOR'S MANUAL (SERIAL # 3191-)	1
60	55.0080	.BEARING, PEERLESS CUP & CONE L	1
61	55.0079	.BEARING, PEERLESS CUP & CONE S	3
62	04.0030	.RETAINING RING, PRLS GEARBOX	1
63	89.0084	.SEAL, OIL INPUT SHAFT	1
64	26.0034	.O-RING, FOR 87.0216	2
65	89.0085	.SEAL, OIL OUTPUT SHAFT	1

PARTS

ILLUSTRATED DRAWING Fan Housing



PARTS

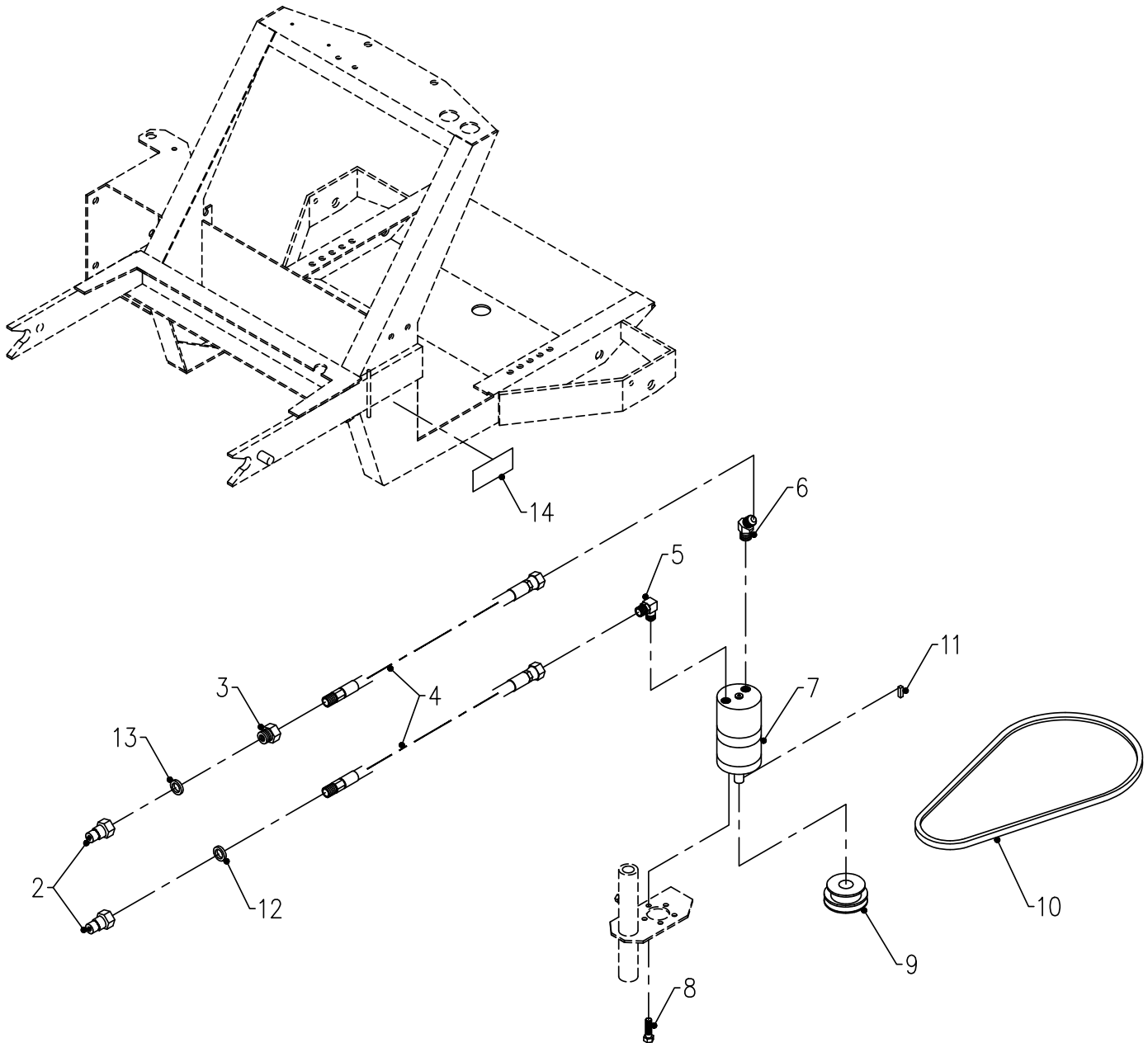
Fan Housing

REF.	PART NO.	DESCRIPTION	QTY.
1	90.0606	.BOLT, 3/8-16 USS X 3/4	2
2	95.06	.WASHER, FLAT 3/8 SAE	3
3	00.0123	.DECAL, KEEP HAND AND FEET AWAY (SERIAL # 1001-3190)	2
3	00.0624	.DECAL, CUTTING HAZARD HANDS AND FEET (SERIAL # 3191-)	2
4	90.0816	.BOLT, 1/2-13 USS X 2	1
5	95.08	.WASHER, FLAT 1/2 SAE	1
6	85.B0027	.BUSHING, 1/2 ID X 5/8 OD X 5/8	1
7	64.0867	.MOUNT, UPPER ANCHOR PLATE	1
8	99.SF06	.NUT, SF 3/8-16 USS	11
9	99.SF0508	.BOLT, SF 5/16-18 USS X 1	2
10	99.SF08	.NUT, SF 1/2-13 USS	2
11	99.SF0506	.BOLT, SF 5/16-18 USS X 3/4	3
12	64.0866	.PLATE, UPPER ANCHOR	1
13	55.FB16016	.BEARING, FLANGE BLOCK 1" REGZK	1
14	99.SF05	.NUT, SF 5/16-18 USS	5
15	80.0306	.SHAFT, FAN KA	1
16	85.K0410	.KEY, 1/4 X 1 1/4	1
17	83.P116	.BUSHING, 1" P1	1
18	62.0871	.FAN, KA/LA	1
19	81.B056	.BELT, B56 (SERIAL # 1001-1432)	1
19	81.B057	.BELT, B57 (SERIAL # 1433-)	1
20	83.BK6016	.PULLEY, 6" 1" BORE	1
21	55.FB22016	.BEARING, FLANGE, 1"	1
22	62.1054	.HOUSING, FAN KA/LA	1
23	99.SF0404	.BOLT, SF 1/4-20 X 1/2	4
24	60.0729	.GUARD, HAND/AIR FLOW GUIDE	2
25	99.SF04	.NUT, SF 1/4-20 USS	4
26	00.0189	.DECAL, VENTRAC ORBITAL	1
27	99.SF0405-1	.BOLT, SF 1/4-20 X 5/8 W/RUBBER	4
28	62.0838	.FRAME, INTAKE SCREEN	1
29	47.0213	.KNOB, 4-ARM 3/8-16 THRU HOLE	1
30	90.0610	.BOLT, 3/8-16 USS X 1 1/4	1
31	60.0837	.DEFLECTOR, POWER BLOWER	1
32	90.0608	.BOLT, 3/8-16 USS X 1	2
33	64.1110	.BUSHING, FAN SPACER KA/LA (SERIAL # 1001-1378)	1
33	64.1374	.BUSHING, FAN SPACER KA/LA (SERIAL # 1379-)	1
34	99.B0017	.WASHER, MACH 1" 18GA (SERIAL # 1001-1378)	1
34	99.B0015	.WASHER, MACH 1" 10 GA (SERIAL # 1379-)	2*
35	99.E0046	.NUT, "U" 1/4-20 EXTRUDED	3
36	85.K0408	.KEY, 1/4 X 1	1
37	00.0674	.DECAL, THROWN OBJECTS (SERIAL # 3191-)	1

*as required.

PARTS

ILLUSTRATED DRAWING Hydraulic Rotational Control



Hydraulic rotational control is a standard feature beginning with serial # AA1097.

PARTS

Hydraulic Rotational Control

REF.	PART NO.	DESCRIPTION	QTY.
2	23.0104	.COUPLER, HYD. QUICK MALE 1/4	2
3	29.0092	.FITTING, .025 ORIFICE 1/4 PIPE	1
4	20.0169	.HOSE, ASM X 38" 1/4-1W.	2
5	25.6801-06-06	.FITTING, 90 ME 3/8 X 3/8.	1
6	25.6802-06-06	.FITTING, 45 ME 3/8 X 3/8.	1
7	21.0113	.MOTOR, HYD PEERLESS 1.93 CU.IN	1
8	91.0404	.BOLT, 1/4-28 SAE X 1/2	3
9	83.AS1710	.PULLEY, AS 1.7" 5/8" BORE	1
10	81.A050	.BELT, A50	1
11	85.K0307	.KEY, 3/16 X 5/8	1
12	05.0117	.WASHER, .544ID X .817 X.14 YEL	1
13	05.0116	.WASHER, .544ID X .817 X.14 RED	1
14	00.0621	.DECAL, HIGH PRESSURE FLUID HAZARD (SERIAL # 3191-)	1