

KD602

Power Angle Dozer Blade



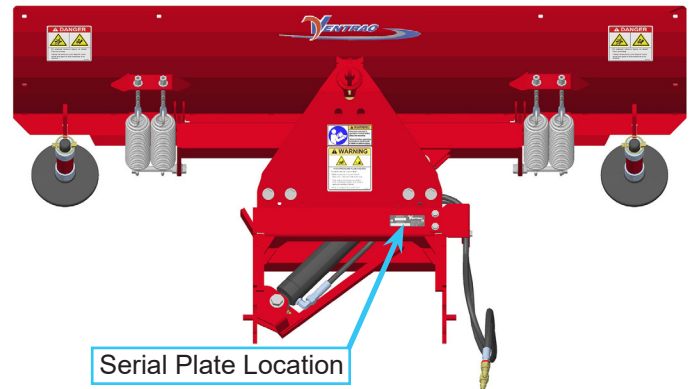
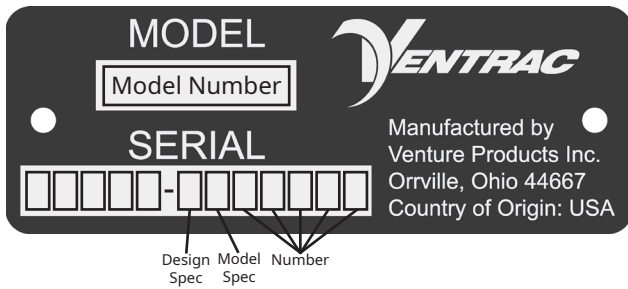


View all manuals



500 Venture Drive
Orrville Oh 44667
www.ventrac.com

Visit ventrac.com/manuals for the latest version of this parts manual. A downloadable operator's manual is also available.



Notes

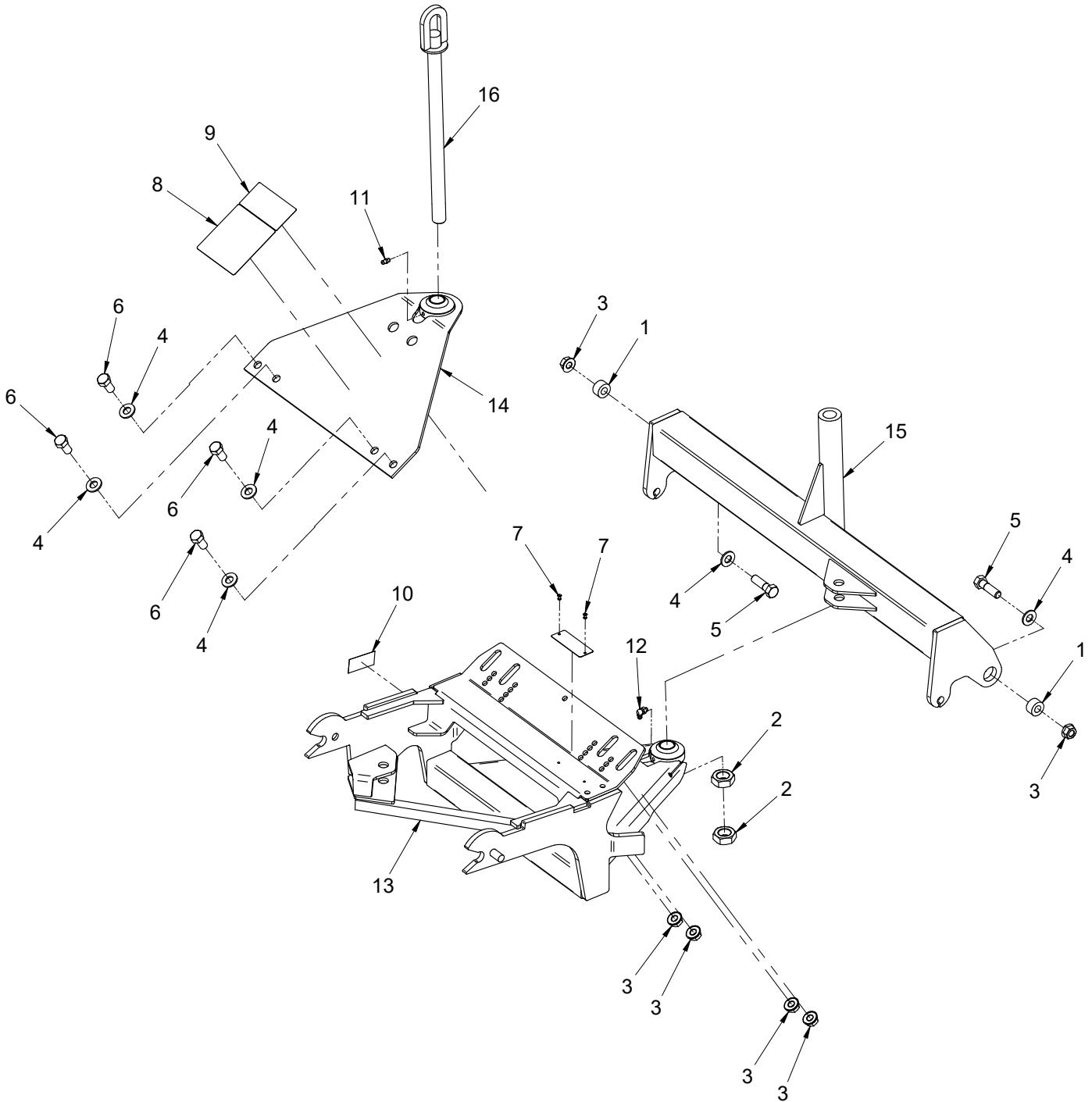
- If any component requires replacement, use only original Ventrac replacement parts.
- When ordering new components, be sure to order all required safety decals. All current safety decals must be affixed to the replacement components prior to installation of the component.

TABLE OF CONTENTS

PARTS	PAGE 4
Hitch Frame & Yoke Crossbar.....	4
Hydraulic Power Angle.....	6
Blade, Cutting Edge, & Skid Shoes.....	8
OPTIONS	PAGE 10
Hardened Cutting Edge & 70.8030 Polyurethane Edge Kit.....	10
70.8157 KD Blade Wing Kit.....	12

PARTS

ILLUSTRATED DRAWING Hitch Frame & Yoke Crossbar



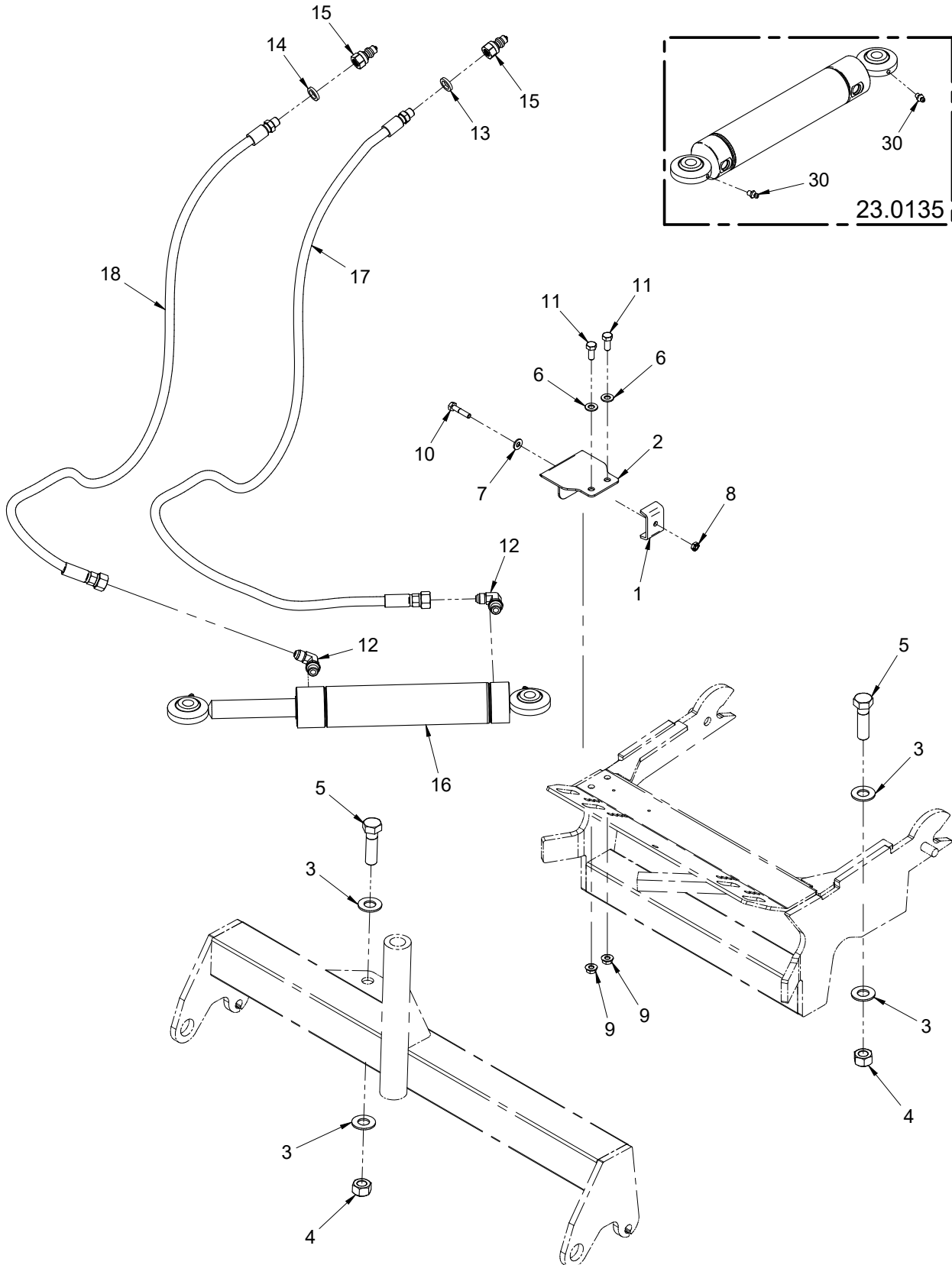
PARTS

Hitch Frame & Yoke Crossbar

REF.	PART NO.	DESCRIPTION	QTY.
1	64.0676	.BUSHING, CROSSBAR SPACER	2
2	99.E0074	.NUT, JAM 7/8-14 SAE	2
3	99.SF08	.NUT, SRF 1/2-13 USS	6
4	95.08	.WASHER, FLAT 1/2 SAE	6
5	90.0814	.BOLT, 1/2-13 USS X 1 3/4	2
6	90.0808	.BOLT, 1/2-13 USS X 1	4
7	04.0029	.RIVET, POP 1/8" X 1/4" SS	2
8	00.0103	.DECAL, HAZARD - HIGH PRESS. FLUID (Serial # 2000-4629)	1
8	00.0621	.DECAL, HIGH PRESSURE FLUID HAZARD (Serial # 4630-)	1
9	00.0217	.DECAL, WARNING READ OWNERS MANUAL (Serial # 2000-4629)	1
9	00.0619	.DECAL, READ OPERATOR'S MANUAL (Serial # 4630-)	1
10	00.0100	.DECAL, BUILT IN THE USA	1
11	29.GF0001	.GREASE FTG, 1/4 SAE ST	1
12	29.GF0002	.GREASE FTG, 1/4 SAE 90	1
13	62.0984	.FRAME, MAIN HITCH	1
14	64.1081	.PLATE, UPPER ANCHOR	1
15	62.0985	.YOKE, CROSSBAR BLD MT	1
16	64.1083	.PIN, CENTER PIVOT	1

PARTS

ILLUSTRATED DRAWING Hydraulic Power Angle



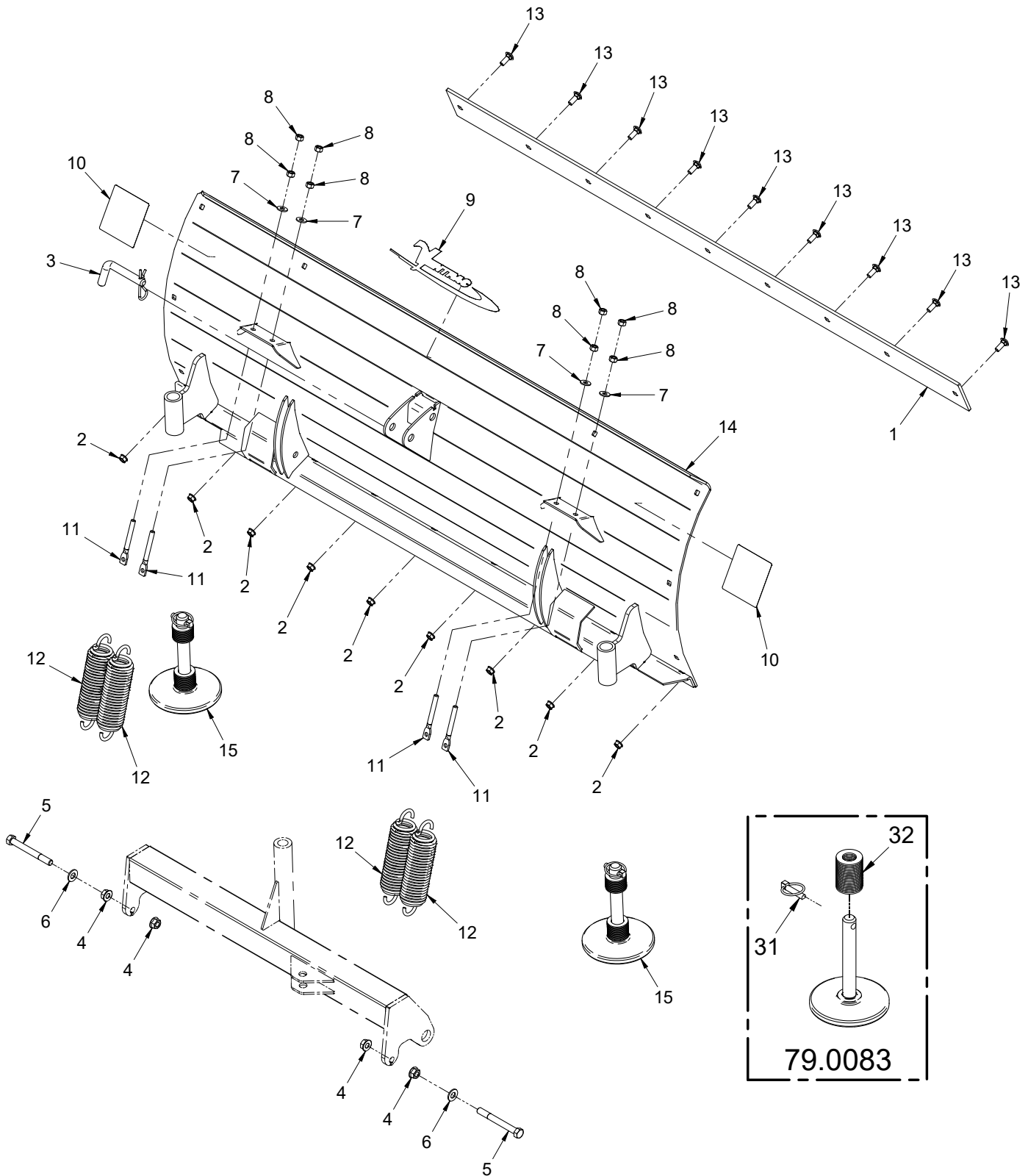
PARTS

Hydraulic Power Angle

REF.	PART NO.	DESCRIPTION	QTY.
1	64.0826	.CLAMP, HYD. HOSE	1
2	64.1082	.BRACKET, HOSE SUPPORT	1
3	95.10	.WASHER, FLAT 5/8 SAE	4
4	99.A10	.LOCKNUT, STOVER 5/8-11 USS	2
5	90.1018	.BOLT, 5/8-11 USS X 2-1/4	2
6	95.05	.WASHER, FLAT 5/16 SAE	2
7	95.04	.WASHER, FLAT 1/4 SAE	1
8	99.A04	.LOCKNUT, STOVER 1/4-20 USS	1
9	99.SF05	.NUT, SRF 5/16-18 USS	2
10	90.0410	.BOLT, 1/4-20 USS X 1-1/4"	1
11	90.0506	.BOLT, 5/16-18 USS X 3/4"	2
12	25.6801-06-06	.FITTING, 90 ME 3/8 X 3/8	2
13	05.0116	.WASHER, .544 ID X .817 X .14 RED	1
14	05.0117	.WASHER, .544 ID X .817 X .14 YEL	1
15	23.0104	.COUPLER, HYDRAULIC QUICK - 1/4 MALE	2
16	23.0135	.CYLINDER, 2" X 8" KD	1
17	20.0208	.HOSE, 1/4X55.00 SAE 100R17 AR	1
18	20.0209	.HOSE, 1/4X45.00 SAE 100R17 AR	1
30	29.GF0001	.GREASE FTG, 1/4 SAE ST	2

PARTS

ILLUSTRATED DRAWING Blade, Cutting Edge, & Skid Shoes



PARTS

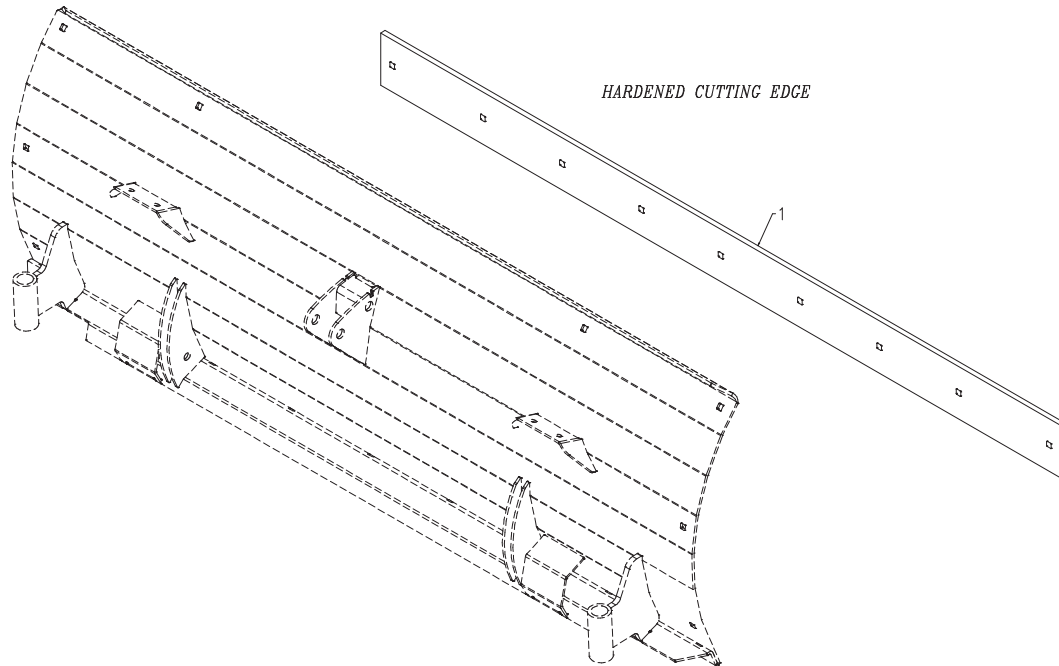
Blade, Cutting Edge, & Skid Shoes

REF.	PART NO.	DESCRIPTION	QTY.
1	78.0040	.CUTTING EDGE, 60" (Serial # 2000-2499)	1
1	78.0058	.CUTTING EDGE, 60" THROUGH HARD (Serial # 2500-)	1
2	99.SF06	.NUT, SRF 3/8-16 USS	9
3	03.0014	.PIN, HITCH 5/8" X 3" USABLE	1
4	99.SF08	.NUT, SRF 1/2-13 USS	4
5	90.0836	.BOLT, 1/2-13 USS X 4-1/2	2
6	95.08	.WASHER, FLAT 1/2 SAE	2
7	94.05	.WASHER, FLAT 5/16 USS	4
8	92.06	.NUT, 3/8-16 USS	8
9	00.0189	.DECAL, VENTRAC ORBITAL	1
10	00.0102	.DECAL, DANGER - PINCHING HAZARDS (Serial # 2000-4629)	2
10	00.0620	.DECAL, PINCHING OR CRUSHING HAZARD (Serial # 4630-)	2
11	99.K0094	.BOLT, HANGER 3/8-16 X 4	4
12	41.0075	.SPRING, EXT 2" OD X 8-3/8" LG	4
13	97.0608	.BOLT, CARRIAGE 3/8 X 1 (Serial # 2000-2499)	9
13	97.0610	.BOLT, CARRIAGE 3/8 X 1 1/4 (Serial # 2500-)	9
14	62.1336	.BLADE, MAIN WELDMENT 2 SERIES	1
15	79.0083	.SHOE, SKID ROUND ASM	2
31	03.0005	.PIN, LYNCH	1
32	95.16	.WASHER, FLAT 1 SAE	19

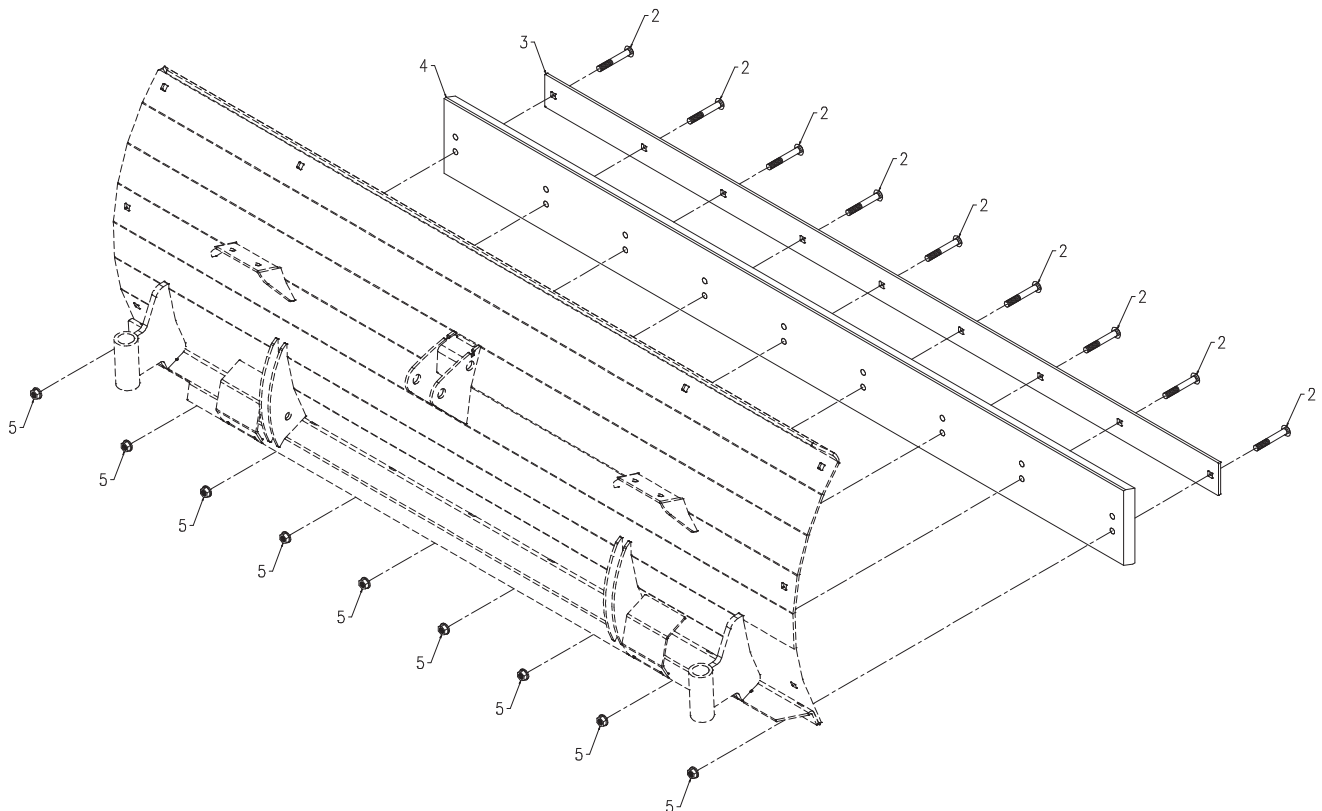
OPTIONS

ILLUSTRATED DRAWING

Hardened Cutting Edge & 70.8030 Polyurethane Edge Kit



70.8030 POLYURETHANE EDGE KIT



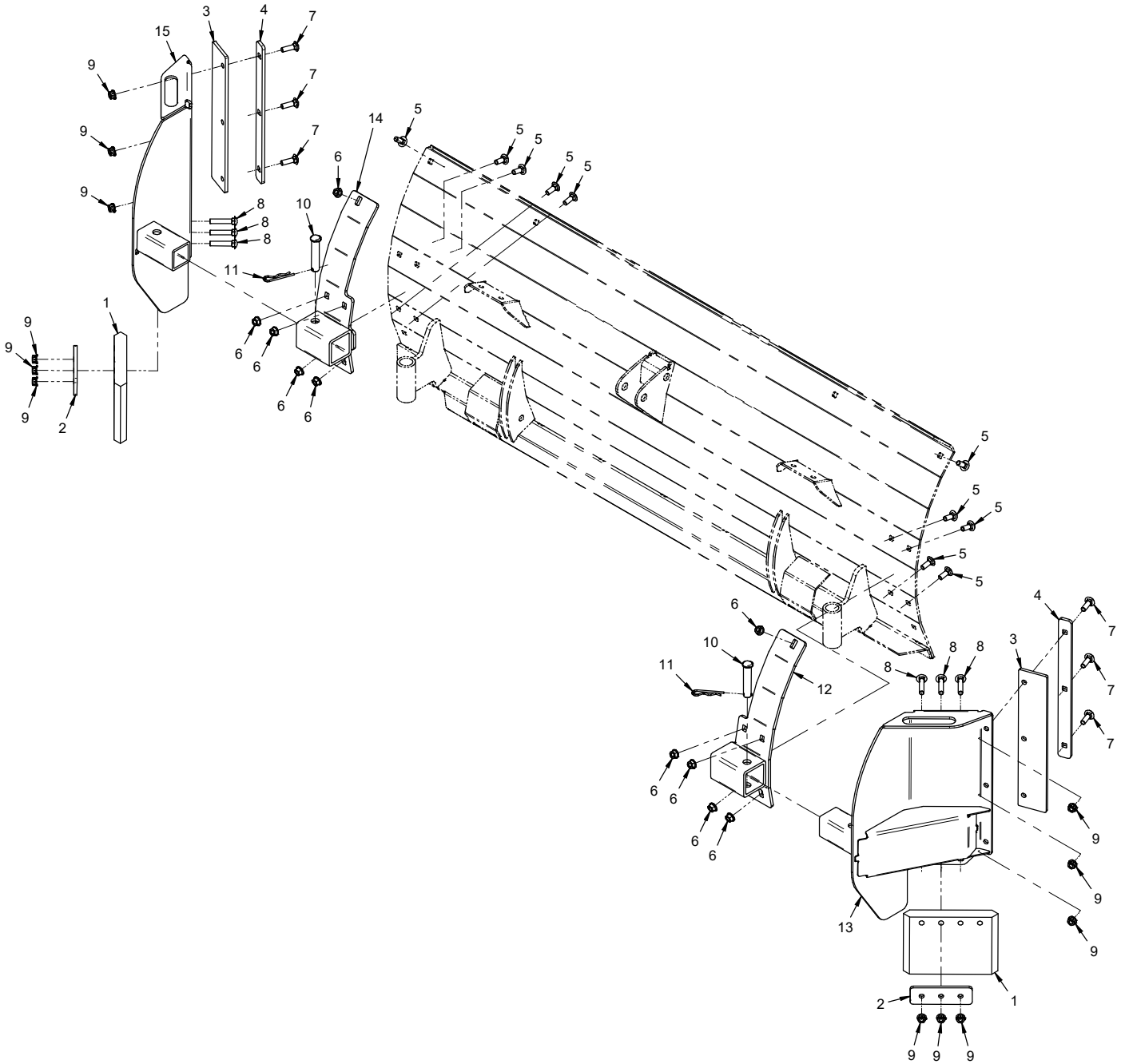
OPTIONS

Hardened Cutting Edge & 70.8030 Polyurethane Edge Kit

REF.	PART NO.	DESCRIPTION	QTY.
1	78.0058	CUTTING EDGE, 60" THROUGH HARD	1
2	97.0616	BOLT, CARRIAGE 3/8 X 2	9
3	64.1102	CLAMP, POLY BACKER 59-1/2L	1
4	44.0205	CUTTING EDGE, POLY 1 X 6 X 60L	1
5	99.SF06	NUT, SRF 3/8-16 USS.	9

OPTIONS

ILLUSTRATED DRAWING 70.8157 KD Blade Wing Kit



OPTIONS

70.8157 KD Blade Wing Kit

REF.	PART NO.	DESCRIPTION	QTY.
1	KD-1016	CUTTING EDGE, BLADE WING LOWER	2
2	KD-1011	CLAMP, LOWER CUTTING EDGE	2
3	44.0419	CUTTING EDGE, BLADE WING SIDE	2
4	KD-1012	CLAMP, SIDE CUTTING EDGE	2
5	97.0608	BOLT, CARRIAGE 3/8-16 X 1	10
6	99.SF06	NUT, SRF 3/8-16 USS	10
7	97.0610	BOLT, CARRIAGE 3/8-16 X 1-1/4	6
8	97.0616	BOLT, CARRIAGE 3/8-16 X 2	6
9	99.E0082	NUT, LOCKING FLANGE 3/8-16	12
10	03.1024	CLEVIS PIN, 5/8 X 3 OAL ZP	2
11	02.HP0420	HAIRPIN, 1/8 X 2 9/16 ZP	2
12	KD-6010	FRAME, WING MOUNT RIGHT	1
13	KD-6011	FRAME, BLADE WING RIGHT	1
14	KD-6013	FRAME, WING MOUNT LEFT	1
15	KD-6014	FRAME, BLADE WING LEFT	1