

Parts Manual

# DC520

Soil Cultivator



Revised 07/14/23  
09.20086 Rev. 01



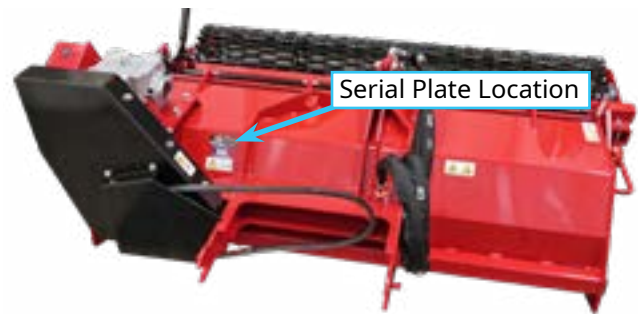
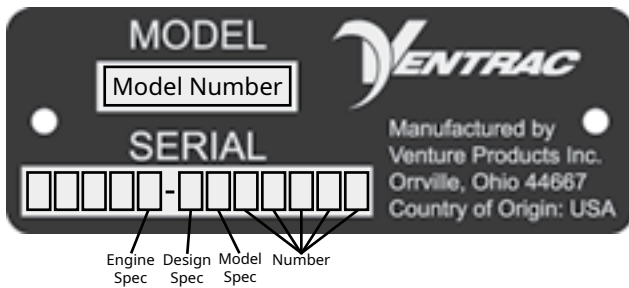
500 Venture Drive  
Orrville Oh 44667  
www.ventrac.com

View all manuals



Visit [ventrac.com/manuals](http://ventrac.com/manuals) for the latest version of this parts manual. A downloadable operator's manual is also available.

### Serial Number Description



### Notes

- If any component requires replacement, use only original Ventrac replacement parts.
- When ordering new components, be sure to order all required safety decals. All current safety decals must be affixed to the replacement components prior to installation of the component.

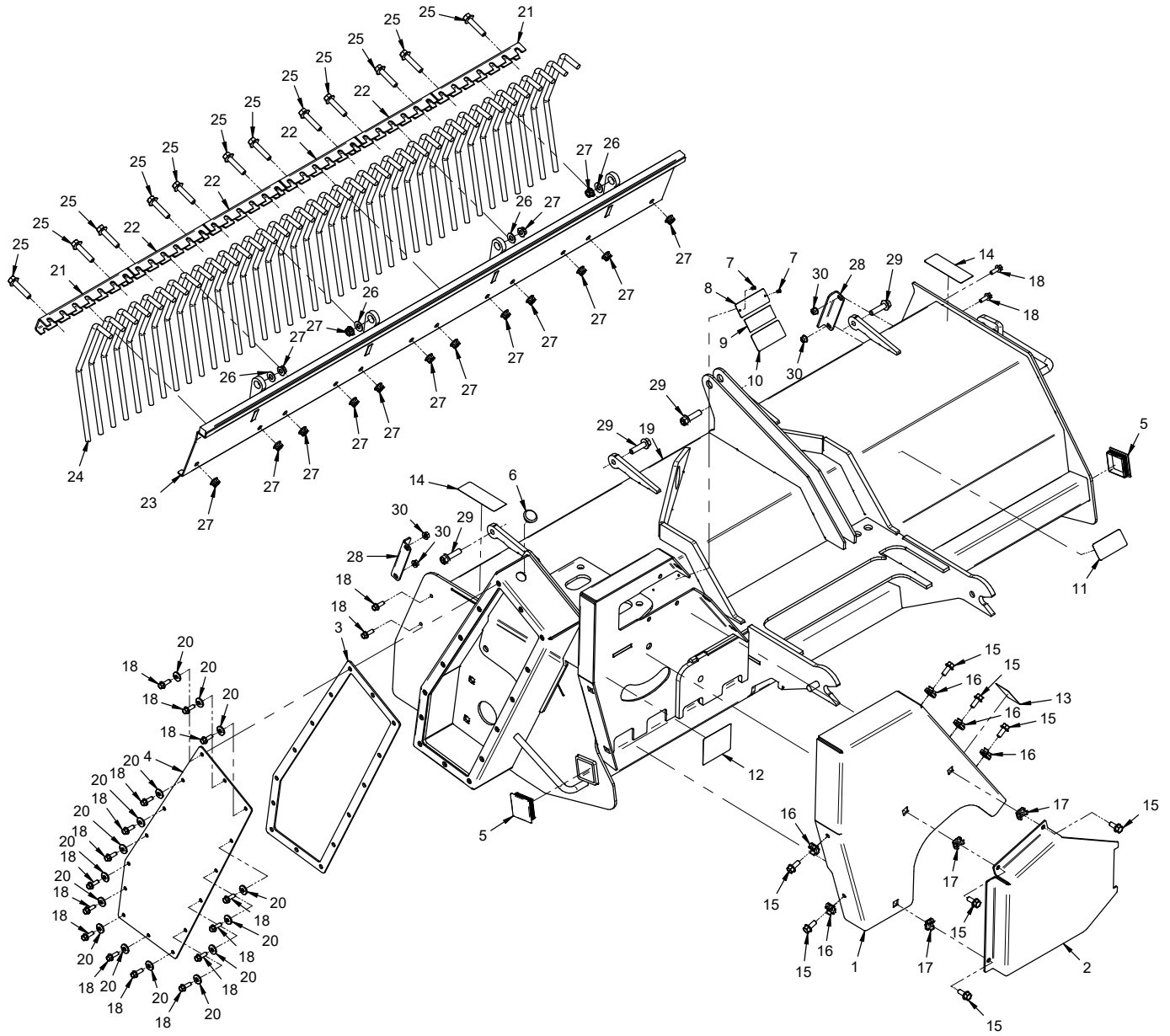
# TABLE OF CONTENTS

---

<b>PARTS</b>	<b>PAGE 4</b>
Frame & Shields.....	4
Leveler Frame & Roller.....	6
Cylinder Hydraulics .....	8
Gearbox & Cultivator Drive .....	10
Gearbox Drive Belt .....	12

# PARTS

## ILLUSTRATED DRAWING Frame & Shields



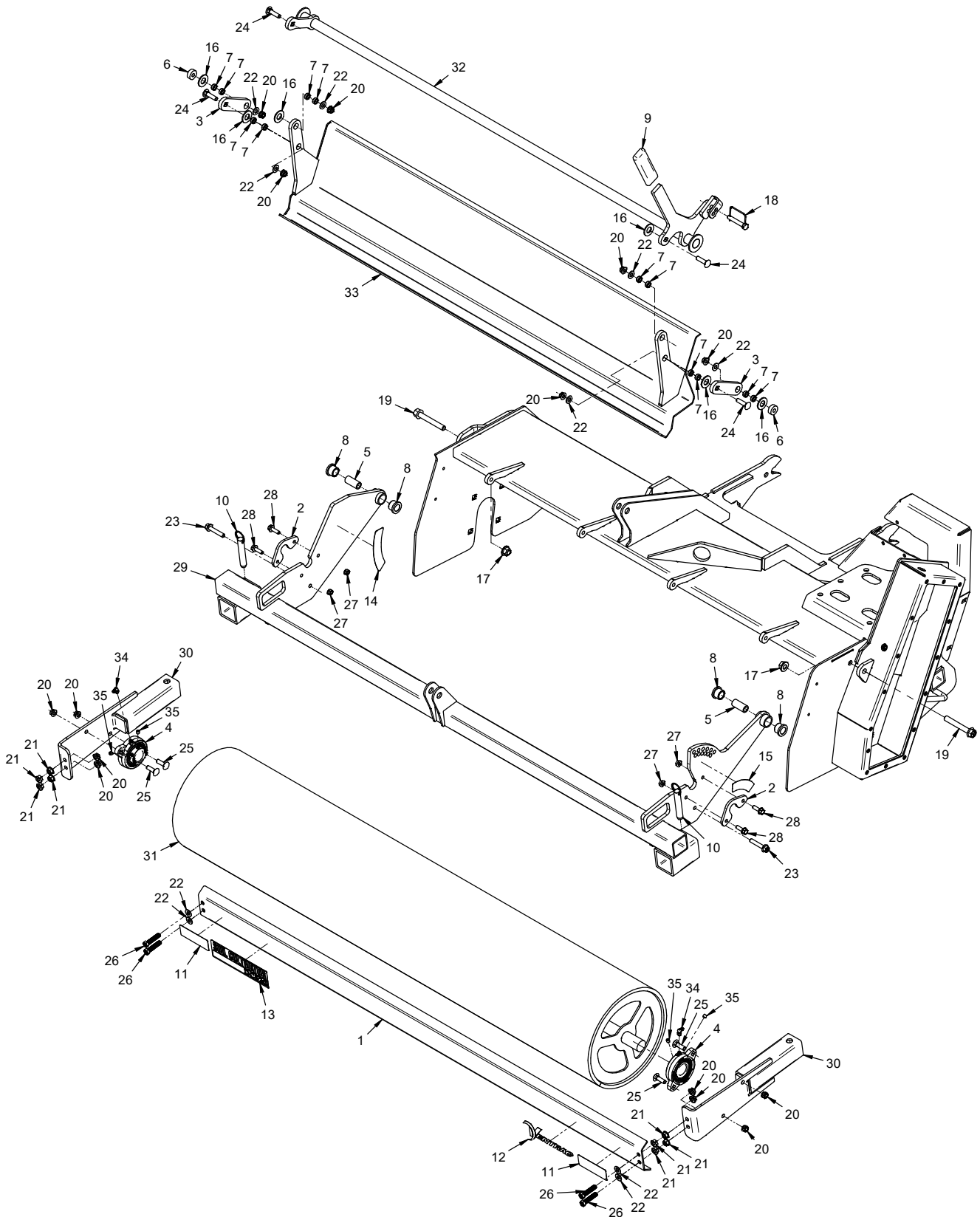
# PARTS

## Frame & Shields

REF.	PART NO.	DESCRIPTION	QTY.
1	DC-1159	Cover, Gearbox Belt	1
2	DC-1150	Cover, Attachment Belt	1
3	DC-1113	Gasket, Oil Seal	1
4	DC-1112	Cover, Chain Drive	1
5	05.0203	Plug, Square For 2X2X3/16 Tube	2
6	05.0202	Plug, For 13/16 Panel Hole	1
7	04.0029	Rivet, Pop 1/8" X 1/4" SS	2
8	N/A	Plate, Ventrac Serial Number	1
9	00.0100	Decal, Built in the USA	1
10	00.0619	Decal, Read Operator's Manual	1
11	00.0621	Decal, High Pressure Fluid Hazard	1
12	00.0625	Decal, Shield Missing	1
13	00.0631	Decal, Finger/Hand Entanglement	1
14	00.0703	Decal, Cutting/Dismemberment Hazard	2
15	99.SF0506-1	Bolt, SMF 5/16-18 USS x 3/4	8
16	99.E0149	Nut, Cage 5/16-18 (.177 - .197")	5
17	99.E0149	Nut, Cage 5/16-18 (.127 - .162")	3
18	99.SF0406-1	Bolt, SMF 1/4-20 X 3/4 (Serial # 01001-01072, 01076-)	15
18	91.0406	Bolt, 1/4-28 SAE x 3/4 (Serial # 01073-01075)	15
19	DC-6013	Frame, Main DC520	1
20	99.B0143	Washer, Sealing 1/4 ID x 3/4 OD	15
21	DC-1072	Clamp, Spring Tine Outer	2
22	DC-1074	Clamp, Spring Tine Inner	4
23	DC-6021	Frame, Spring Tine	1
24	DC-1071	Tine, Spring DC520	38
25	99.SF0614-1	Bolt, SMF 3/8-16 X 1-3/4	12
26	95.06	Washer, Flat 3/8 SAE	14
27	99.E0082	Nut, Locking Flange 3/8-16	31
28	DC-1177	Bracket, Tine Frame Mount	2
29	99.SF0612-1	BOLT, SMF 3/8-16 X 1-1/2	4
30	99.E0101	Nut, Locking Flange 1/4-20	4

# PARTS

## ILLUSTRATED DRAWING Leveler Frame & Roller



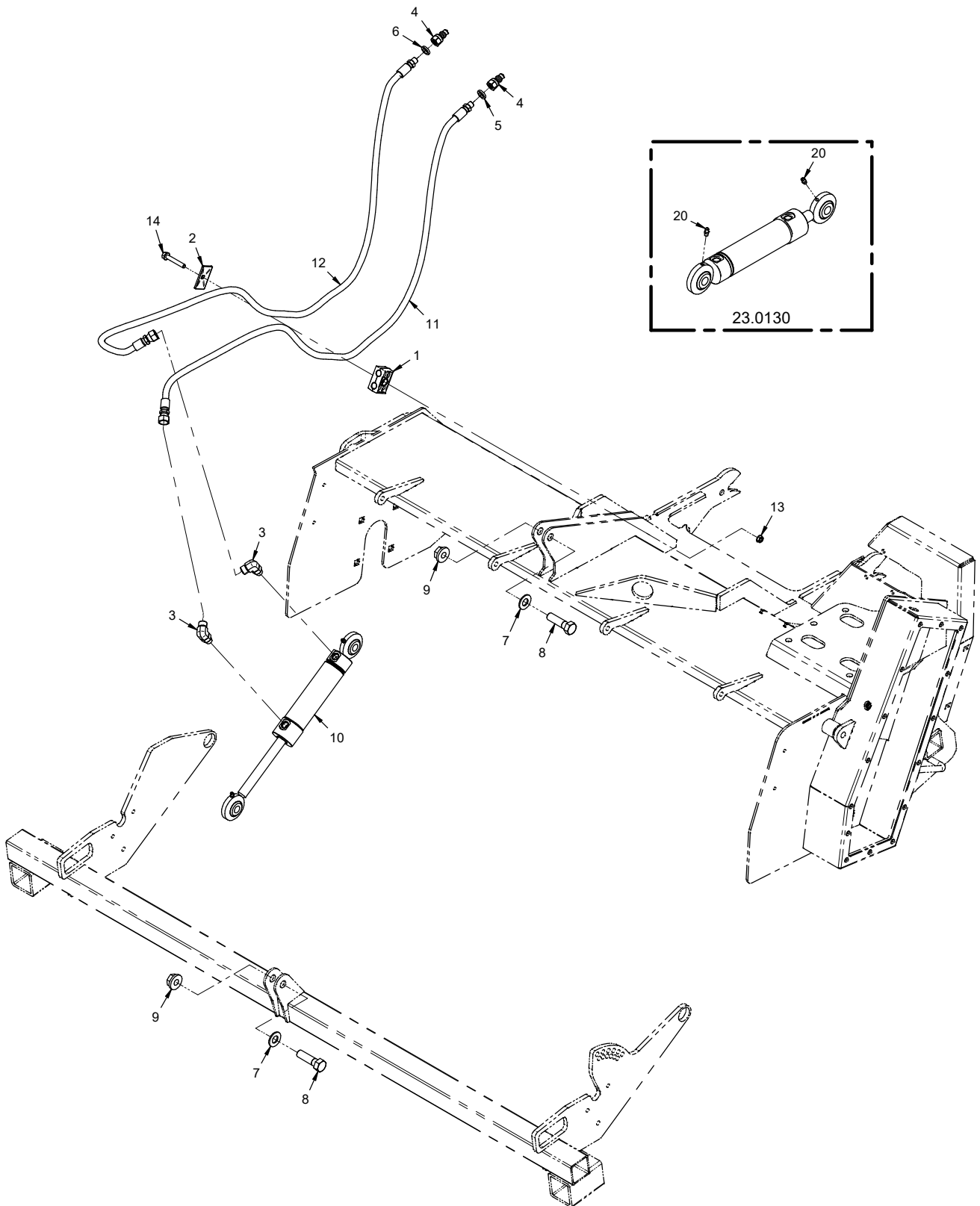
# PARTS

## Leveler Frame & Roller

REF.	PART NO.	DESCRIPTION	QTY.
1	DC-1133	Guard, Roller	1
2	DC-1152	Mount, Adjustment Shaft	2
3	DC-1134	Link, Leveler Adjustment	2
4	55.FB16020	Bearing, Flange Block 1-1/4"	2
5	DC-1157	Bushing, Roller Frame Pivot	2
6	DC-1136	Spacer, Leveler Link	2
7	64.0602	Bushing, 3/8 x 5/8 x .265	12
8	85.B0112	Bushing, 3/4 ID x 1" OD x 3/4"	4
9	47.0377	Grip, Handle BLK Foam 4-3/4 L	1
10	03.0013	Pin, Ball, 5/8 x 2-1/2	2
11	00.0675	Decal, Entanglement Hazard	2
12	00.0672	Decal, Ventrac Black	1
13	00.0726	Decal, DC520	1
14	00.0729	Decal, DC520 Depth Indicator	1
15	00.0730	Decal, DC520 Blade Depth	1
16	95.10	Washer, Flat 5/8 SAE	6
17	99.E0103	Nut, Locking Flange 1/2-13	2
18	03.0001	Pin, Safety Snap 3/8 X 1-3/4"	1
19	99.SF0828-1	Bolt, SMF 1/2-13 x 3-1/2	2
20	99.E0082	Nut, Locking Flange 3/8-16	14
21	99.SF06	Nut, SRF 3/8-16 USS	8
22	95.06	Washer, Flat 3/8 SAE	10
23	99.SF0616-1	BOLT, SMF 3/8-16 X 2	2
24	97.0612	Bolt, Carriage 3/8-16 x 1 1/2	4
25	97.0610	Bolt, Carriage 3/8-16 x 1-1/4	4
26	90.0614-2	BOLT, 3/8-16 X 1-3/4 TAP	4
27	99.SF05	Nut, SRF 5/16-18 USS	4
28	99.SF0508-1	Bolt, SMF 5/16-18 x 1	4
29	DC-6018	Frame, Leveler and Roller	1
30	DC-6027	Arm, Roller Mount	2
31	DC-6019	Roller, DC520	1
32	DC-6028	Shaft, Leveler Adjustment	1
33	DC-6005	Frame, Soil Leveler	1
34	29.GF0002	Grease Ftg, 1/4 SAE 90	2
35	85.SS35	Set Screw, 5/16-24 x 5/16	4

# PARTS

## ILLUSTRATED DRAWING Cylinder Hydraulics





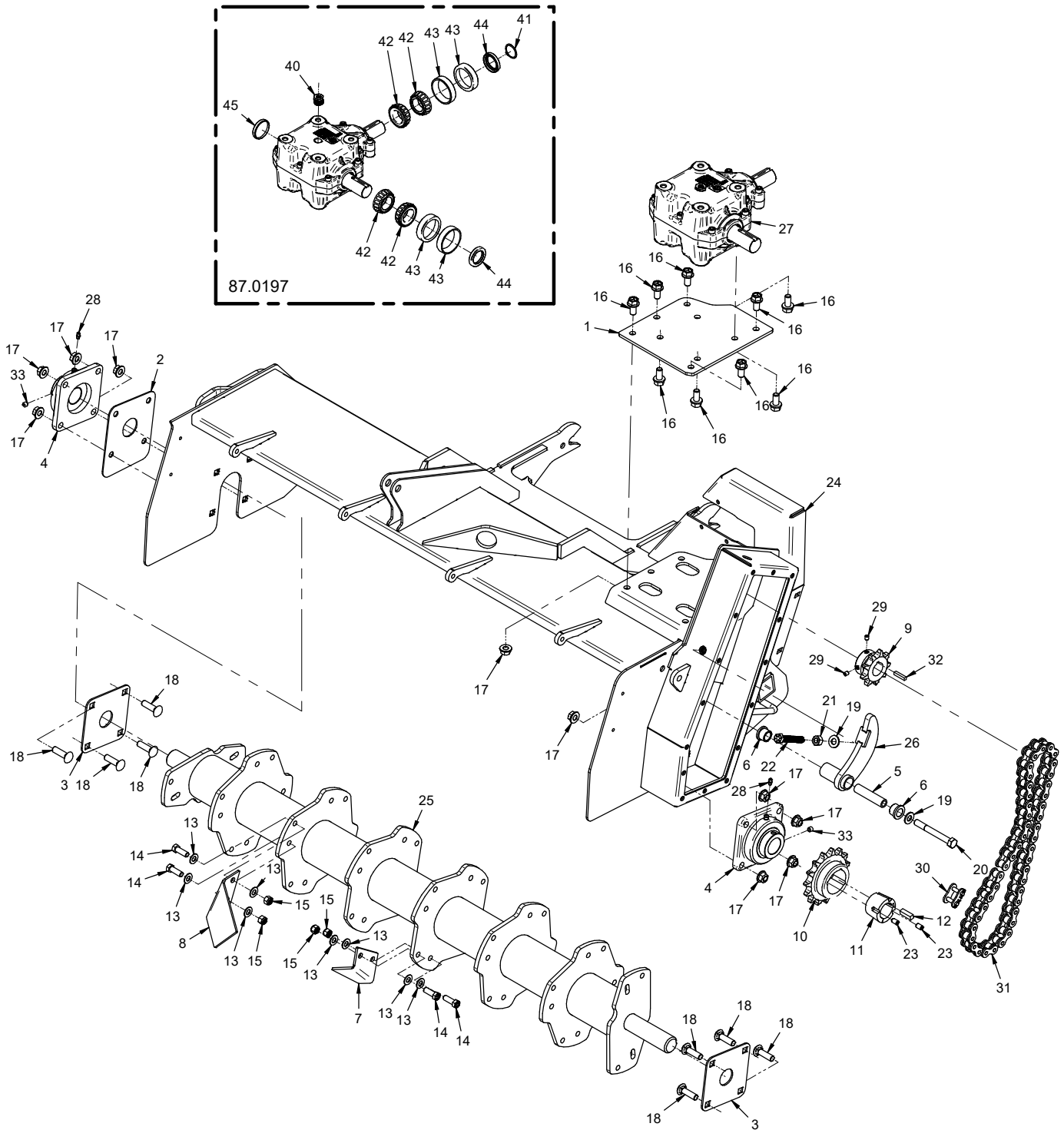
# PARTS

## Cylinder Hydraulics

REF.	PART NO.	DESCRIPTION	QTY.
1	44.0256	Clamp, Hyd Hose 12.7mm ID 2 Cavity (Set of 2)	1
2	44.0229	Cover Plate, Group 2D (2 Cavity)	1
3	25.FF6801-06-06	Fitting, 90 Elbow - 6MFF X 6MB	2
4	23.0104	Coupler, Quick Male 1/4	2
5	05.0116	Washer, .544 ID x .817 x .14 Red	1
6	05.0117	Washer, .544 ID x .817 x .14 Yel	1
7	95.10	Washer, Flat 5/8 SAE	2
8	90.1018	Bolt, 5/8-11 USS x 2-1/4	2
9	99.E0094	Locknut, 5/8-11 Flanged Stover	2
10	23.0130	Cylinder, 1-1/2" X 5"	1
11	20.0366	Hose, 1/4x59.00 SAE 100R17AR	1
12	20.0366	Hose, 1/4x59.00 SAE 100R17AR	1
13	99.SF05	Nut, SRF 5/16-18 USS	1
14	99.SF0516-1	Bolt, SMF 5/16-18 x 2	1
20	29.GF0001	Grease Ftg, 1/4 SAE ST	2

# PARTS

## ILLUSTRATED DRAWING Gearbox & Cultivator Drive



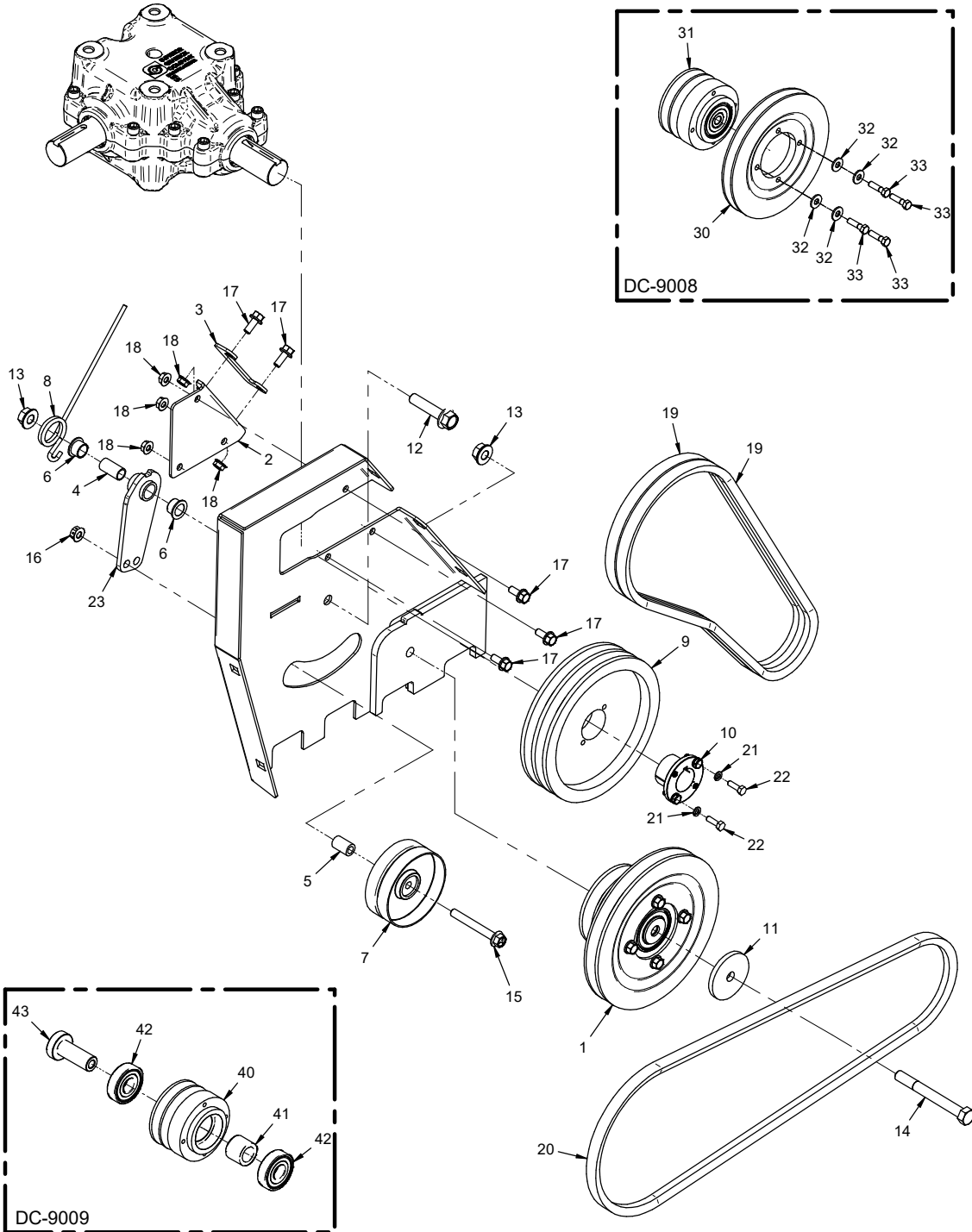
# PARTS

## Gearbox & Cultivator Drive

REF.	PART NO.	DESCRIPTION	QTY.
1	DC-1176	.Plate, Gearbox Mount	1
2	DC-1145	.Plate, Bearing Mount Right	1
3	DC-1180	.Plate, Inner Bearing Mount	2
4	55.FB22024	.Bearing, Flange Block 1-1/2"	2
5	DC-1160	.Bushing, Chain Tension Pivot	1
6	85.B0112	.Bushing, 3/4 ID x 1" OD x 3/4"	2
7	79.0127	.Tine, Blade Right	14
8	79.0126	.Tine, Blade Left	14
9	83.800920	.Sprocket, #80 9-T 1-1/4" Bore	1
10	83.H80TB15	.SPROCKET, #80 15-T HRD.	1
11	83.161524	.BUSHING, 1615 X 1-1/2 TAPERLOC	1
12	85.K0610	.Key, 3/8 X 1-1/4	1
13	95.07	.Washer, Flat 7/16 SAE	8
14	91.0710-8	.BOLT, 7/16-20 X 1-1/4 GR8	4
15	99.A07NFN	.Locknut, Nylon 7/16-20 SAE	4
16	99.SF0808-1	.Bolt, SMF 1/2-13 x 1	9
17	99.E0103	.Nut, Locking Flange 1/2-13	10
18	97.0814	.Bolt, Carriage 1/2-13 x 1-3/4	8
19	95.08	.Washer, Flat 1/2 SAE	2
20	90.0834	.Bolt, 1/2-13 USS x 4-1/4	1
21	92.08	.Nut, 1/2-13 USS	1
22	90.0824-2	.BOLT, 1/2-13 X 3 TAP	1
23	85.S533	.Set Screw, 3/8-16 x 5/8	2
24	DC-6013	.Frame, Main DC520	1
25	DC-6017	.Rotor, DC520	1
26	DC-6030	.Arm, Chain Tension	1
27	87.0197	.Gearbox, Superior KY400	1
28	29.GF0001	.Grease Ftg, 1/4 SAE ST	2
29	85.S518	.Set Screw, 5/16-18 x 3/8	2
30	81.0059	.Link, Conn #80	1
31	81.0192	.Chain, Roller #80 x 41IN.	1
32	85.K0410	.Key, 1/4 X 1-1/4	1
33	85.S534	.Set Screw, 3/8-24 x 3/8	2
40	29.B0208G	.Pipe, Bushing 1/8 x 1/2 Galv	1
41	04.0027	.Retaining Ring, Ext 1.375 Shft	1
42	55.0077	.Bearing, Cone 1.375	4
43	55.0078	.Bearing, Cup 2.717	4
44	89.0082	.Seal, 1.375-2.00-313	2
45	89.0083	.Seal, End Cap 2.00-312	1

# PARTS

## ILLUSTRATED DRAWING Gearbox Drive Belt



# PARTS

## Gearbox Drive Belt

REF.	PART NO.	DESCRIPTION	QTY.
1	DC-9008	Renovator Pulley Assembly	1
2	DC-1165	Plate, Gearbox Belt Tension	1
3	DC-1178	Lock, Belt Tension Spring	1
4	DC-1126	Bushing, Belt Tension Pivot	1
5	DC-1127	Spacer, Belt Tension Pulley	1
6	85.B0088	Bushing, 5/8 ID X 3/4 OD X 1/2	2
7	83.0042	Pulley, Dbl Idler Flat 4 X 3/8	1
8	41.0084	Spring, Torsion Lh 1-3/16 Idx7	1
9	83.2BK80H	PULLEY, 2BK 8" H-BUSH	1
10	83.H20	Bushing, 1-1/4"	1
11	99.B0091	Washer, .510 ID x 2-1/2 OD 1/4	1
12	99.SF0818-1	Bolt, SMF 1/2-13 x 2-1/4	1
13	99.E0103	Nut, Locking Flange 1/2-13	2
14	90.0836	Bolt, Hex 1/2-13 UNC x 4-1/2	1
15	99.SF0624-1	BOLT, SMF 3/8-16 X 3	1
16	99.E0082	Nut, Locking Flange 3/8-16	1
17	99.SF0506-1	Bolt, SMF 5/16-18 USS x 3/4	5
18	99.SF05	Nut, SRF 5/16-18 USS	5
19	81.B042	Belt, B42R	2
20	81.B054	Belt, B54	1
21	99.M0078	Washer, Split Lock M6	2
22	99.M0077	Bolt, M6 X 1.0 X 20MM, SS	2
23	DC-6024	Arm, GEarbox Belt Tension	1
30	DC-1187	Pulley, 8-1/4" B Custom	1
31	DC-9009	Renovator Assembly	1
32	94.05	Washer, Flat 5/16 USS	4
33	91.0510	Bolt, Hex 5/16-24 UNF x 1-1/4	4
40	DC-1190	Pulley, 4-1/4" 2B Custom	1
41	DC-1183	Spacer, Pulley	1
42	55.0064	Bearing, Ball 25 MM x 62 MM	2
43	DC-1184	Bushing, Pulley Drive	1